



**NSX-SZ309**

HA

**NSX-SZ329**

LH

# SERVICE MANUAL

COMPACT DISC  
STEREO SYSTEM

BASIC TAPE MECHANISM : ZZM-3 YPR1NM  
BASIC CD MECHANISM : BZG-5 YZD3NCM<HA>/  
BZG-5 YZD3NM<LH>

- Replace this Service manual with "Revision Publishing" when it is issued.

**aiwa**

S/M Code No. 09-012-440-5T4

SIMPLE

DATA

# PARTS LIST

! =  $\Delta$  SAFTY PARTS  
 C = Components marked

All components used on this model at the production line are shown in this service manual.

However, please note that not all components will be available as spare parts for after-sales service.

Components marked S and O are designated as spare parts for service and will be stocked at the spare parts centers.

Components marked X and R are not designated as spare parts for after sales service, and will not be stocked at the spare parts centers.

K NO. = Only use Japanese.

! C	UNIT NAME	REF NO.	PARTS CODE	K NO.	DESCRIPTION	SUFFIX	MODEL NAME
O	ACCESSORY		87-006-268-010	1C	ANT, LOOP AM	HASC2M	CX-NSZ309
O	ACCESSORY		87-006-268-010	1C	ANT, LOOP AM	LHSCM	CX-SNSZ329
O	ACCESSORY		87-043-115-010	1A	FEEDER-ANT, FM	HASC2M	CX-NSZ309
O	ACCESSORY		87-043-115-010	1A	FEEDER-ANT, FM	LHSCM	CX-SNSZ329
O	ACCESSORY		8Z-NF9-701-210	1H	RC UNIT, ZAS02	HASC2M	CX-NSZ309
O	ACCESSORY		8Z-NF9-701-210	1H	RC UNIT, ZAS02	LHSCM	CX-SNSZ329
!	O APPEARANCE		87-CE3-023-010	0E	BADGE, AIWA 30N SILV	HASC2M	CX-NSZ309
!	O APPEARANCE		87-CE3-023-010	0E	BADGE, AIWA 30N SILV	LHSCM	CX-SNSZ329
O	APPEARANCE		8B-NF9-002-010	--	CABI, REAR LH W/O SPC	HASC2M	CX-NSZ309
O	APPEARANCE		8B-NF9-002-010	--	CABI, REAR LH W/O SPC	LHSCM	CX-SNSZ329
O	APPEARANCE		8B-NF9-003-110	1	BOX, CASS 1	HASC2M	CX-NSZ309
O	APPEARANCE		8B-NF9-003-110	1B	BOX, CASS 1	LHSCM	CX-SNSZ329
O	APPEARANCE		8B-NF9-004-110	1	BOX, CASS 2	HASC2M	CX-NSZ309
O	APPEARANCE		8B-NF9-004-110	1B	BOX, CASS 2	LHSCM	CX-SNSZ329
O	APPEARANCE		8B-NF9-006-010	1	PANEL, TRAY	HASC2M	CX-NSZ309
O	APPEARANCE		8B-NF9-006-010	1B	PANEL, TRAY	LHSCM	CX-SNSZ329
O	APPEARANCE		8B-NF9-007-010	0E	PANEL, JOG	HASC2M	CX-NSZ309
O	APPEARANCE		8B-NF9-007-010	0E	PANEL, JOG	LHSCM	CX-SNSZ329
O	APPEARANCE		8B-NF9-025-010	1	PANEL, RIGHT	HASC2M	CX-NSZ309
O	APPEARANCE		8B-NF9-025-010	1B	PANEL, RIGHT	LHSCM	CX-SNSZ329
O	APPEARANCE		8B-NF9-026-010	1	PANEL, LEFT	HASC2M	CX-NSZ309
O	APPEARANCE		8B-NF9-026-010	1B	PANEL, LEFT	LHSCM	CX-SNSZ329
O	APPEARANCE		8B-NF9-027-010	1C	PANEL, TOP	HASC2M	CX-NSZ309
O	APPEARANCE		8B-NF9-027-010	1C	PANEL, TOP	LHSCM	CX-SNSZ329
O	APPEARANCE		8B-NF9-033-010	--	CABI, FR LH	HASC2M	CX-NSZ309
O	APPEARANCE		8B-NF9-033-010	--	CABI, FR LH	LHSCM	CX-SNSZ329
X	CD		M8-BZG-591-130	--	BZG-5 YZD3NM	LHSCM	CX-NSZ309
X	CD		M8-BZG-591-130	--	BZG-5 YZD3NCM	HASC2M	CX-SNSZ329
!	X ELECTRICAL		87-069-033-010	0E	CABLE, TIE	HASC2M	CX-NSZ309
!	X ELECTRICAL		87-069-033-010	0E	CABLE, TIE	LHSCM	CX-SNSZ329
!	O ELECTRICAL		87-085-185-010	0E	BUSHING, AC CORD(E) CM-22B	HASC2M	CX-NSZ309
!	O ELECTRICAL		87-085-185-010	0E	BUSHING, AC CORD(E) CM-22B	LHSCM	CX-SNSZ329
O	ELECTRICAL		88-906-251-110	1A	FF-CABLE, 6P 1.25	HASC2M	CX-NSZ309
O	ELECTRICAL		88-906-251-110	1A	FF-CABLE, 6P 1.25	LHSCM	CX-SNSZ329
O	ELECTRICAL		88-908-301-110	1A	FF-CABLE, 8P 1.25	HASC2M	CX-NSZ309
O	ELECTRICAL		88-908-301-110	1A	FF-CABLE, 8P 1.25	LHSCM	CX-SNSZ329
O	ELECTRICAL		88-911-101-110	0E	FF-CABLE, 11P 1.25	HASC2M	CX-NSZ309
O	ELECTRICAL		88-911-101-110	0E	FF-CABLE, 11P 1.25	LHSCM	CX-SNSZ329
!	O ELECTRICAL	PT 0001	8B-NF9-615-010	2P	PT, BNF-9 LH	HASC2M	CX-NSZ309
!	O ELECTRICAL	PT 0001	8B-NF9-615-010	2P	PT, BNF-9 LH	LHSCM	CX-SNSZ329
!	O ELECTRICAL	W 0001	87-A80-105-010	1C	AC CORD ASSY, AZ	HASC2M	CX-NSZ309
!	O ELECTRICAL	W 0001	87-A80-157-010	1B	AC CORD ASSY, E BLK CC	LHSCM	CX-SNSZ329
O	FRCB MECHA	*	8B-NF9-207-010	0E	GUIDE, FL 90.2-20	HASC2M	CX-NSZ309
O	FRCB MECHA	*	8B-NF9-207-010	0E	GUIDE, FL 90.2-20	LHSCM	CX-SNSZ329
O	FUNC/E.VR	C 0605	87-012-280-080	0E	C-CAP, U 3300P-50 K B	HASC2M	CX-NSZ309
O	FUNC/E.VR	C 0605	87-012-280-080	0E	C-CAP, U 3300P-50 K B	LHSCM	CX-SNSZ329
O	FUNC/E.VR	C 0606	87-012-280-080	0E	C-CAP, U 3300P-50 K B	HASC2M	CX-NSZ309
O	FUNC/E.VR	C 0606	87-012-280-080	0E	C-CAP, U 3300P-50 K B	LHSCM	CX-SNSZ329
O	FUNC/E.VR	C 0609	87-010-785-080	0E	C-CAP, U 0.015-25 K B GRM	HASC2M	CX-NSZ309
O	FUNC/E.VR	C 0609	87-010-785-080	0E	C-CAP, U 0.015-25 K B GRM	LHSCM	CX-SNSZ329
O	FUNC/E.VR	C 0610	87-010-785-080	0E	C-CAP, U 0.015-25 K B GRM	HASC2M	CX-NSZ309
O	FUNC/E.VR	C 0610	87-010-785-080	0E	C-CAP, U 0.015-25 K B GRM	LHSCM	CX-SNSZ329
O	FUNC/E.VR	C 0611	87-A12-084-080	0E	CAP, E 0.22-50 SMG	HASC2M	CX-NSZ309
O	FUNC/E.VR	C 0611	87-A12-084-080	0E	CAP, E 0.22-50 SMG	LHSCM	CX-SNSZ329
O	FUNC/E.VR	C 0612	87-A12-084-080	0E	CAP, E 0.22-50 SMG	HASC2M	CX-NSZ309
O	FUNC/E.VR	C 0612	87-A12-084-080	0E	CAP, E 0.22-50 SMG	LHSCM	CX-SNSZ329
O	FUNC/E.VR	C 0613	87-A12-084-080	0E	CAP, E 0.22-50 SMG	HASC2M	CX-NSZ309
O	FUNC/E.VR	C 0613	87-A12-084-080	0E	CAP, E 0.22-50 SMG	LHSCM	CX-SNSZ329
O	FUNC/E.VR	C 0614	87-A12-084-080	0E	CAP, E 0.22-50 SMG	HASC2M	CX-NSZ309
O	FUNC/E.VR	C 0614	87-A12-084-080	0E	CAP, E 0.22-50 SMG	LHSCM	CX-SNSZ329
O	FUNC/E.VR	C 0615	87-012-172-080	0E	C-CAP, U 10P-50 D CH	HASC2M	CX-NSZ309
O	FUNC/E.VR	C 0615	87-012-172-080	0E	C-CAP, U 10P-50 D CH	LHSCM	CX-SNSZ329
O	FUNC/E.VR	C 0616	87-016-459-080	0E	CAP, E 470-10 M SMG	HASC2M	CX-NSZ309
O	FUNC/E.VR	C 0616	87-016-459-080	0E	CAP, E 470-10 M SMG	LHSCM	CX-SNSZ329
O	FUNC/E.VR	C 0617	87-016-459-080	0E	CAP, E 470-10 M SMG	HASC2M	CX-NSZ309
O	FUNC/E.VR	C 0617	87-016-459-080	0E	CAP, E 470-10 M SMG	LHSCM	CX-SNSZ329
O	FUNC/E.VR	C 0618	87-A12-091-080	0E	CAP, E 10-50 SMG	HASC2M	CX-NSZ309
O	FUNC/E.VR	C 0618	87-A12-091-080	0E	CAP, E 10-50 SMG	LHSCM	CX-SNSZ329
O	FUNC/E.VR	C 0620	87-010-263-080	0E	CAP, E 100-10 M 11L SME	HASC2M	CX-NSZ309
O	FUNC/E.VR	C 0620	87-010-263-080	0E	CAP, E 100-10 M 11L SME	LHSCM	CX-SNSZ329

# PARTS LIST

! =  $\Delta$  SAFTY PARTS  
 C = Components marked

All components used on this model at the production line are shown in this service manual.

However, please note that not all components will be available as spare parts for after-sales service.

Components marked S and O are designated as spare parts for service and will be stocked at the spare parts centers.

Components marked X and R are not designated as spare parts for after sales service, and will not be stocked at the spare parts centers.

K NO. = Only use Japanese.

! C	UNIT NAME	REF NO.	PARTS CODE	K NO.	DESCRIPTION	SUFFIX	MODEL NAME
O	FUNC/E.VR	C 0623	87-A12-372-080	0E	CAP,M 0.047-100 J CP	HASC2M	CX-NSZ309
O	FUNC/E.VR	C 0623	87-A12-372-080	0E	CAP,M 0.047-100 J CP	LHSCM	CX-SNSZ329
O	FUNC/E.VR	C 0624	87-A12-372-080	0E	CAP,M 0.047-100 J CP	HASC2M	CX-NSZ309
O	FUNC/E.VR	C 0624	87-A12-372-080	0E	CAP,M 0.047-100 J CP	LHSCM	CX-SNSZ329
O	FUNC/E.VR	C 0630	87-016-669-080	0E	C-CAP,S 0.1-25 K B	HASC2M	CX-NSZ309
O	FUNC/E.VR	C 0630	87-016-669-080	0E	C-CAP,S 0.1-25 K B	LHSCM	CX-SNSZ329
O	FUNC/E.VR	C 0631	87-012-281-080	0E	C-CAP,U 3900P-50 K B GRM	HASC2M	CX-NSZ309
O	FUNC/E.VR	C 0631	87-012-281-080	0E	C-CAP,U 3900P-50 K B GRM	LHSCM	CX-SNSZ329
O	FUNC/E.VR	C 0632	87-012-281-080	0E	C-CAP,U 3900P-50 K B GRM	HASC2M	CX-NSZ309
O	FUNC/E.VR	C 0632	87-012-281-080	0E	C-CAP,U 3900P-50 K B GRM	LHSCM	CX-SNSZ329
O	FUNC/E.VR	C 0633	87-A11-070-080	0E	C-CAP,U 0.033-16 K B	HASC2M	CX-NSZ309
O	FUNC/E.VR	C 0633	87-A11-070-080	0E	C-CAP,U 0.033-16 K B	LHSCM	CX-SNSZ329
O	FUNC/E.VR	C 0634	87-A11-070-080	0E	C-CAP,U 0.033-16 K B	HASC2M	CX-NSZ309
O	FUNC/E.VR	C 0634	87-A11-070-080	0E	C-CAP,U 0.033-16 K B	LHSCM	CX-SNSZ329
O	FUNC/E.VR	C 0661	87-012-336-080	0E	C-CAP,U 330P-50 J SL	HASC2M	CX-NSZ309
O	FUNC/E.VR	C 0661	87-012-336-080	0E	C-CAP,U 330P-50 J SL	LHSCM	CX-SNSZ329
O	FUNC/E.VR	C 0662	87-012-336-080	0E	C-CAP,U 330P-50 J SL	HASC2M	CX-NSZ309
O	FUNC/E.VR	C 0662	87-012-336-080	0E	C-CAP,U 330P-50 J SL	LHSCM	CX-SNSZ329
O	FUNC/E.VR	C 0677	87-012-286-080	0E	C-CAP,U 0.01-25 K B	HASC2M	CX-NSZ309
O	FUNC/E.VR	C 0677	87-012-286-080	0E	C-CAP,U 0.01-25 K B	LHSCM	CX-SNSZ329
X	FUNC/E.VR	C 0678	88-108-000-080	0E	C-JUMPER,U	HASC2M	CX-NSZ309
X	FUNC/E.VR	C 0678	88-108-000-080	0E	C-JUMPER,U	LHSCM	CX-SNSZ329
!	FUNC/E.VR	CN 0601	87-099-719-010	1B	CONN,30P H BLK TYK-B(X)	HASC2M	CX-NSZ309
!	FUNC/E.VR	CN 0601	87-099-719-010	1B	CONN,30P H BLK TYK-B(X)	LHSCM	CX-SNSZ329
!	FUNC/E.VR	CN 0602	87-A60-131-010	0E	CONN,6P V FE	HASC2M	CX-NSZ309
!	FUNC/E.VR	CN 0602	87-A60-131-010	0E	CONN,6P V FE	LHSCM	CX-SNSZ329
S	FUNC/E.VR	D 0601	87-A40-739-080	0E	ZENER,UZ2.7BSA	HASC2M	CX-NSZ309
S	FUNC/E.VR	D 0601	87-A40-739-080	0E	ZENER,UZ2.7BSA	LHSCM	CX-SNSZ329
S	FUNC/E.VR	D 0602	87-A40-739-080	0E	ZENER,UZ2.7BSA	HASC2M	CX-NSZ309
S	FUNC/E.VR	D 0602	87-A40-739-080	0E	ZENER,UZ2.7BSA	LHSCM	CX-SNSZ329
X	FUNC/E.VR	FB 0602	88-100-000-010	0E	PLATING-JW, 0.58 SN95	LHSCM	CX-SNSZ329
S	FUNC/E.VR	IC 0601	87-A21-401-040	1C	C-IC,M61503FP	HASC2M	CX-NSZ309
S	FUNC/E.VR	IC 0601	87-A21-401-040	1C	C-IC,M61503FP	LHSCM	CX-SNSZ329
O	FUNC/E.VR	J 0602	87-A60-881-010	0E	JACK,PIN 2P MSP 242V05 PBSN	HASC2M	CX-NSZ309
O	FUNC/E.VR	J 0602	87-A60-881-010	0E	JACK,PIN 2P MSP 242V05 PBSN	LHSCM	CX-SNSZ329
X	FUNC/E.VR	JR 0601	88-108-000-080	0E	C-JUMPER,U	HASC2M	CX-NSZ309
X	FUNC/E.VR	JR 0601	88-108-000-080	0E	C-JUMPER,U	LHSCM	CX-SNSZ329
X	FUNC/E.VR	JR 0602	88-108-000-080	0E	C-JUMPER,U	HASC2M	CX-NSZ309
X	FUNC/E.VR	JR 0602	88-108-000-080	0E	C-JUMPER,U	LHSCM	CX-SNSZ329
X	FUNC/E.VR	JR 0605	88-108-000-080	0E	C-JUMPER,U	HASC2M	CX-NSZ309
X	FUNC/E.VR	JR 0605	88-108-000-080	0E	C-JUMPER,U	LHSCM	CX-SNSZ329
X	FUNC/E.VR	JR 0606	88-129-000-080	0E	C-JUMPER, 3216	HASC2M	CX-NSZ309
X	FUNC/E.VR	JR 0606	88-129-000-080	0E	C-JUMPER, 3216	LHSCM	CX-SNSZ329
X	FUNC/E.VR	JR 0607	88-108-000-080	0E	C-JUMPER,U	HASC2M	CX-NSZ309
X	FUNC/E.VR	JR 0607	88-108-000-080	0E	C-JUMPER,U	LHSCM	CX-SNSZ329
X	FUNC/E.VR	JR 0616	88-108-000-080	0E	C-JUMPER,U	HASC2M	CX-NSZ309
X	FUNC/E.VR	JR 0616	88-108-000-080	0E	C-JUMPER,U	LHSCM	CX-SNSZ329
S	FUNC/E.VR	Q 0601	87-A30-087-080	0E	C-FET,2SK2158	HASC2M	CX-NSZ309
S	FUNC/E.VR	Q 0601	87-A30-087-080	0E	C-FET,2SK2158	LHSCM	CX-SNSZ329
S	FUNC/E.VR	Q 0602	87-A30-087-080	0E	C-FET,2SK2158	HASC2M	CX-NSZ309
S	FUNC/E.VR	Q 0602	87-A30-087-080	0E	C-FET,2SK2158	LHSCM	CX-SNSZ329
S	FUNC/E.VR	Q 0605	87-A30-090-080	0E	FET,2SK2541	HASC2M	CX-NSZ309
S	FUNC/E.VR	Q 0605	87-A30-090-080	0E	FET,2SK2541	LHSCM	CX-SNSZ329
S	FUNC/E.VR	Q 0606	87-A30-090-080	0E	FET,2SK2541	HASC2M	CX-NSZ309
S	FUNC/E.VR	Q 0606	87-A30-090-080	0E	FET,2SK2541	LHSCM	CX-SNSZ329
S	FUNC/E.VR	Q 0607	87-A30-076-080	0E	C-TR,2SC3052F	HASC2M	CX-NSZ309
S	FUNC/E.VR	Q 0607	87-A30-076-080	0E	C-TR,2SC3052F	LHSCM	CX-SNSZ329
X	FUNC/E.VR	R 0077	88-108-102-080	0E	C-RES,U 1K-1/16W J	HASC2M	CX-NSZ309
X	FUNC/E.VR	R 0077	88-108-102-080	0E	C-RES,U 1K-1/16W J	LHSCM	CX-SNSZ329
X	FUNC/E.VR	R 0601	88-108-102-080	0E	C-RES,U 1K-1/16W J	HASC2M	CX-NSZ309
X	FUNC/E.VR	R 0601	88-108-102-080	0E	C-RES,U 1K-1/16W J	LHSCM	CX-SNSZ329
X	FUNC/E.VR	R 0603	88-108-682-080	0E	C-RES,U 6.8K-1/16W J	HASC2M	CX-NSZ309
X	FUNC/E.VR	R 0603	88-108-682-080	0E	C-RES,U 6.8K-1/16W J	LHSCM	CX-SNSZ329
X	FUNC/E.VR	R 0604	88-108-682-080	0E	C-RES,U 6.8K-1/16W J	HASC2M	CX-NSZ309
X	FUNC/E.VR	R 0604	88-108-682-080	0E	C-RES,U 6.8K-1/16W J	LHSCM	CX-SNSZ329
X	FUNC/E.VR	R 0605	88-108-103-080	0E	C-RES,U 10K-1/16W J	HASC2M	CX-NSZ309
X	FUNC/E.VR	R 0605	88-108-103-080	0E	C-RES,U 10K-1/16W J	LHSCM	CX-SNSZ329
X	FUNC/E.VR	R 0606	88-108-103-080	0E	C-RES,U 10K-1/16W J	HASC2M	CX-NSZ309

# PARTS LIST

! =  $\Delta$  SAFTY PARTS  
 C = Components marked

All components used on this model at the production line are shown in this service manual.

However, please note that not all components will be available as spare parts for after-sales service.

Components marked S and O are designated as spare parts for service and will be stocked at the spare parts centers.

Components marked X and R are not designated as spare parts for after sales service, and will not be stocked at the spare parts centers.

K NO. = Only use Japanese.

! C	UNIT NAME	REF NO.	PARTS CODE	K NO.	DESCRIPTION	SUFFIX	MODEL NAME
X	FUNC/E.VR	R 0606	88-108-103-080	0E	C-RES,U 10K-1/16W J	LHSCM	CX-SNSZ329
X	FUNC/E.VR	R 0607	88-108-103-080	0E	C-RES,U 10K-1/16W J	HASC2M	CX-NSZ309
X	FUNC/E.VR	R 0607	88-108-103-080	0E	C-RES,U 10K-1/16W J	LHSCM	CX-SNSZ329
X	FUNC/E.VR	R 0608	88-108-103-080	0E	C-RES,U 10K-1/16W J	HASC2M	CX-NSZ309
X	FUNC/E.VR	R 0608	88-108-103-080	0E	C-RES,U 10K-1/16W J	LHSCM	CX-SNSZ329
X	FUNC/E.VR	R 0609	88-108-562-080	0E	C-RES,U 5.6K-1/16W J	HASC2M	CX-NSZ309
X	FUNC/E.VR	R 0609	88-108-562-080	0E	C-RES,U 5.6K-1/16W J	LHSCM	CX-SNSZ329
X	FUNC/E.VR	R 0610	88-121-562-080	0E	RES,5.6K-1/8W J	HASC2M	CX-NSZ309
X	FUNC/E.VR	R 0610	88-121-562-080	0E	RES,5.6K-1/8W J	LHSCM	CX-SNSZ329
X	FUNC/E.VR	R 0611	88-108-183-080	0E	C-RES,U 18K-1/16W J	HASC2M	CX-NSZ309
X	FUNC/E.VR	R 0611	88-108-183-080	0E	C-RES,U 18K-1/16W J	LHSCM	CX-SNSZ329
X	FUNC/E.VR	R 0612	88-108-183-080	0E	C-RES,U 18K-1/16W J	HASC2M	CX-NSZ309
X	FUNC/E.VR	R 0612	88-108-183-080	0E	C-RES,U 18K-1/16W J	LHSCM	CX-SNSZ329
X	FUNC/E.VR	R 0613	88-121-472-080	0E	RES,4.7K-1/8W J	HASC2M	CX-NSZ309
X	FUNC/E.VR	R 0613	88-121-472-080	0E	RES,4.7K-1/8W J	LHSCM	CX-SNSZ329
X	FUNC/E.VR	R 0614	88-121-472-080	0E	RES,4.7K-1/8W J	HASC2M	CX-NSZ309
X	FUNC/E.VR	R 0614	88-121-472-080	0E	RES,4.7K-1/8W J	LHSCM	CX-SNSZ329
X	FUNC/E.VR	R 0615	88-108-183-080	0E	C-RES,U 18K-1/16W J	HASC2M	CX-NSZ309
X	FUNC/E.VR	R 0615	88-108-183-080	0E	C-RES,U 18K-1/16W J	LHSCM	CX-SNSZ329
X	FUNC/E.VR	R 0616	88-108-183-080	0E	C-RES,U 18K-1/16W J	HASC2M	CX-NSZ309
X	FUNC/E.VR	R 0616	88-108-183-080	0E	C-RES,U 18K-1/16W J	LHSCM	CX-SNSZ329
X	FUNC/E.VR	R 0618	88-108-332-080	0E	C-RES,U 3.3K-1/16W J	HASC2M	CX-NSZ309
X	FUNC/E.VR	R 0618	88-108-332-080	0E	C-RES,U 3.3K-1/16W J	LHSCM	CX-SNSZ329
X	FUNC/E.VR	R 0619	88-108-273-080	0E	C-RES,U 27K-1/16W J	HASC2M	CX-NSZ309
X	FUNC/E.VR	R 0619	88-108-273-080	0E	C-RES,U 27K-1/16W J	LHSCM	CX-SNSZ329
X	FUNC/E.VR	R 0620	88-108-273-080	0E	C-RES,U 27K-1/16W J	HASC2M	CX-NSZ309
X	FUNC/E.VR	R 0620	88-108-273-080	0E	C-RES,U 27K-1/16W J	LHSCM	CX-SNSZ329
X	FUNC/E.VR	R 0621	88-108-824-080	0E	C-RES,U 820K-1/16W J	HASC2M	CX-NSZ309
X	FUNC/E.VR	R 0621	88-108-824-080	0E	C-RES,U 820K-1/16W J	LHSCM	CX-SNSZ329
X	FUNC/E.VR	R 0622	88-108-824-080	0E	C-RES,U 820K-1/16W J	HASC2M	CX-NSZ309
X	FUNC/E.VR	R 0622	88-108-824-080	0E	C-RES,U 820K-1/16W J	LHSCM	CX-SNSZ329
X	FUNC/E.VR	R 0622	88-108-824-080	0E	C-RES,U 820K-1/16W J	LHSCM	CX-SNSZ329
X	FUNC/E.VR	R 0625	88-121-472-080	0E	RES,4.7K-1/8W J	HASC2M	CX-NSZ309
X	FUNC/E.VR	R 0625	88-121-472-080	0E	RES,4.7K-1/8W J	LHSCM	CX-SNSZ329
X	FUNC/E.VR	R 0626	88-121-103-080	0E	RES,10K-1/8W J	HASC2M	CX-NSZ309
X	FUNC/E.VR	R 0626	88-121-103-080	0E	RES,10K-1/8W J	LHSCM	CX-SNSZ329
X	FUNC/E.VR	R 0627	88-108-123-080	0E	C-RES,U 12K-1/16W J	HASC2M	CX-NSZ309
X	FUNC/E.VR	R 0627	88-108-123-080	0E	C-RES,U 12K-1/16W J	LHSCM	CX-SNSZ329
X	FUNC/E.VR	R 0628	88-121-332-080	0E	RES,3.3K-1/8W J	HASC2M	CX-NSZ309
X	FUNC/E.VR	R 0628	88-121-332-080	0E	RES,3.3K-1/8W J	LHSCM	CX-SNSZ329
X	FUNC/E.VR	R 0631	88-108-104-080	0E	C-RES,U 100K-1/16W J	HASC2M	CX-NSZ309
X	FUNC/E.VR	R 0631	88-108-104-080	0E	C-RES,U 100K-1/16W J	LHSCM	CX-SNSZ329
X	FUNC/E.VR	R 0632	88-108-822-080	0E	C-RES,U 8.2K-1/16W J	HASC2M	CX-NSZ309
X	FUNC/E.VR	R 0632	88-108-822-080	0E	C-RES,U 8.2K-1/16W J	LHSCM	CX-SNSZ329
X	FUNC/E.VR	R 0633	88-108-103-080	0E	C-RES,U 10K-1/16W J	HASC2M	CX-NSZ309
X	FUNC/E.VR	R 0633	88-108-103-080	0E	C-RES,U 10K-1/16W J	LHSCM	CX-SNSZ329
X	FUNC/E.VR	R 0635	88-108-103-080	0E	C-RES,U 10K-1/16W J	HASC2M	CX-NSZ309
X	FUNC/E.VR	R 0635	88-108-103-080	0E	C-RES,U 10K-1/16W J	LHSCM	CX-SNSZ329
X	FUNC/E.VR	R 0637	88-108-222-080	0E	C-RES,U 2.2K-1/16W J	HASC2M	CX-NSZ309
X	FUNC/E.VR	R 0637	88-108-222-080	0E	C-RES,U 2.2K-1/16W J	LHSCM	CX-SNSZ329
X	FUNC/E.VR	R 0638	88-108-222-080	0E	C-RES,U 2.2K-1/16W J	HASC2M	CX-NSZ309
X	FUNC/E.VR	R 0638	88-108-222-080	0E	C-RES,U 2.2K-1/16W J	LHSCM	CX-SNSZ329
X	FUNC/E.VR	R 0639	88-108-273-080	0E	C-RES,U 27K-1/16W J	HASC2M	CX-NSZ309
X	FUNC/E.VR	R 0639	88-108-273-080	0E	C-RES,U 27K-1/16W J	LHSCM	CX-SNSZ329
X	FUNC/E.VR	R 0640	88-108-273-080	0E	C-RES,U 27K-1/16W J	HASC2M	CX-NSZ309
X	FUNC/E.VR	R 0640	88-108-273-080	0E	C-RES,U 27K-1/16W J	LHSCM	CX-SNSZ329
X	FUNC/E.VR	R 0653	88-108-000-080	0E	C-JUMPER,U	HASC2M	CX-NSZ309
X	FUNC/E.VR	R 0653	88-108-000-080	0E	C-JUMPER,U	LHSCM	CX-SNSZ329
X	FUNC/E.VR	R 0654	88-108-000-080	0E	C-JUMPER,U	HASC2M	CX-NSZ309
X	FUNC/E.VR	R 0654	88-108-000-080	0E	C-JUMPER,U	LHSCM	CX-SNSZ329
X	FUNC/E.VR	R 0661	88-108-153-080	0E	C-RES,U 15K-1/16W J	HASC2M	CX-NSZ309
X	FUNC/E.VR	R 0662	88-108-153-080	0E	C-RES,U 15K-1/16W J	LHSCM	CX-SNSZ329
X	FUNC/E.VR	R 0662	88-108-153-080	0E	C-RES,U 15K-1/16W J	LHSCM	CX-SNSZ329
X	FUNC/E.VR.LOCAL	FB 0602	88-100-000-010	0E	PLATING-JW, 0.58 SN95	HASC2M	CX-NSZ309
O	KNOB		8B-NF9-011-110	0E	KEY, POWER	HASC2M	CX-NSZ309
O	KNOB		8B-NF9-011-110	0E	KEY, POWER	LHSCM	CX-SNSZ329
O	KNOB		8B-NF9-012-010	0E	KEY, T-BASS	HASC2M	CX-NSZ309
O	KNOB		8B-NF9-012-010	0E	KEY, T-BASS	LHSCM	CX-SNSZ329
O	KNOB		8B-NF9-013-010	1A	KEY, FUN	HASC2M	CX-NSZ309
O	KNOB		8B-NF9-013-010	1A	KEY, FUN	LHSCM	CX-SNSZ329

# PARTS LIST

! =  $\Delta$  SAFTY PARTS  
 C = Components marked

All components used on this model at the production line are shown in this service manual.

However, please note that not all components will be available as spare parts for after-sales service.

Components marked S and O are designated as spare parts for service and will be stocked at the spare parts centers.

Components marked X and R are not designated as spare parts for after sales service, and will not be stocked at the spare parts centers.

K NO. = Only use Japanese.

! C	UNIT NAME	REF NO.	PARTS CODE	K NO.	DESCRIPTION	SUFFIX	MODEL NAME
O	KNOB		8B-NF9-014-010	0E	KEY, CD	HASC2M	CX-NSZ309
O	KNOB		8B-NF9-014-010	0E	KEY, CD	LHSCM	CX-SNSZ329
O	KNOB		8B-NF9-016-010	1A	KEY, OPE P	HASC2M	CX-NSZ309
O	KNOB		8B-NF9-016-010	1A	KEY, OPE P	LHSCM	CX-SNSZ329
O	KNOB		8B-NF9-018-010	0E	KEY, GEQ	HASC2M	CX-NSZ309
O	KNOB		8B-NF9-018-010	0E	KEY, GEQ	LHSCM	CX-SNSZ329
O	KNOB		8B-NF9-019-010	0E	KNOB, RTRY VOL	HASC2M	CX-NSZ309
O	KNOB		8B-NF9-019-010	0E	KNOB, RTRY VOL	LHSCM	CX-SNSZ329
O	KNOB		8B-NF9-020-010	0E	KNOB, RTRY JOG	HASC2M	CX-NSZ309
O	KNOB		8B-NF9-020-010	0E	KNOB, RTRY JOG	LHSCM	CX-SNSZ329
X	LBL, POP		8B-NF9-970-010	0E	LBL, POP LHL	HASC2M	CX-NSZ309
X	LBL, POP		8B-NF9-970-010	0E	LBL, POP LHL	LHSCM	CX-SNSZ329
X	LBL, POP		8B-NF9-971-010	0E	LBL, POP LHR	HASC2M	CX-NSZ309
X	LBL, POP		8B-NF9-984-010	--	LBL, POP 329LHR	LHSCM	CX-SNSZ329
X	LOCAL PACKING		87-B40-098-010	0E	BAG, PV 0.025-650-750 PL	LHSCM	CX-SNSZ329
X	LOCAL PACKING		8B-NF9-883-010	--	CUSHION, FRONT BR	LHSCM	CX-SNSZ329
X	LOCAL PACKING		8B-NF9-884-010	--	CUSHION, REAR BR	LHSCM	CX-SNSZ329
X	LOCAL PACKING		8B-NF9-885-010	--	CUSHION, FRONT AR	HASC2M	CX-NSZ309
X	LOCAL PACKING		8B-NF9-886-010	--	CUSHION, REAR AR	HASC2M	CX-NSZ309
X	LOCAL PACKING		8B-NF9-887-010	--	CTN, PRINTED HASC2M	HASC2M	CX-NSZ309
X	LOCAL PACKING		8B-NF9-888-010	--	CTN, PRINTED 329LHSCM	LHSCM	CX-SNSZ329
X	LOCAL PACKING		8Z-NF7-882-010	--	PAD, BOX BR	LHSCM	CX-SNSZ329
X	LOCAL PACKING		8Z-NF7-887-010	--	PAD, BOX AR	HASC2M	CX-NSZ309
X	LOCAL PACKING		93-704-337-010	1A	SH, FOAMED-MAT 0.31-800-500	LHSCM	CX-SNSZ329
X	LOCAL PLATE		8B-NF9-049-010	--	LBL, SPEC LHSCM 329	LHSCM	CX-SNSZ329
X	LOCAL PRINTED DU		87-B40-085-010	0E	BAG, PV 0.04-200-350 PL	LHSCM	CX-SNSZ329
O	LOCAL PRINTED DU		8B-NF9-919-010	--	IB, LH(P)CCE -SZ329	LHSCM	CX-SNSZ329
O	LOCAL PRINTED DU		8B-NF9-920-010	--	IB, HA(S)NEA -SZ309	HASC2M	CX-NSZ309
X	LOCAL TUNER (IF)	D 0801	88-100-000-010	0E	PLATING-JW, 0.58 SN95	HASC2M	CX-NSZ309
X	LOCAL TUNER (RF)	D 0944	88-100-000-010	0E	PLATING-JW, 0.58 SN95	HASC2M	CX-NSZ309
X	MECHANICAL		8B-NF9-237-010	1D	CHAS, MAIN BS 66-60	HASC2M	CX-NSZ309
X	MECHANICAL		8B-NF9-237-010	1D	CHAS, MAIN BS 66-60	LHSCM	CX-SNSZ329
X	MICON	*	8B-NF9-621-010	1C	PWB, FRONT BNF-9 (MSIA)	HASC2M	CX-NSZ309
X	MICON	*	8B-NF9-621-010	1C	PWB, FRONT BNF-9 (MSIA)	LHSCM	CX-SNSZ329
O	MICON	C 0108	87-010-785-080	0E	C-CAP, U 0.015-25 K B GRM	HASC2M	CX-NSZ309
O	MICON	C 0108	87-010-785-080	0E	C-CAP, U 0.015-25 K B GRM	LHSCM	CX-SNSZ329
O	MICON	C 0153	87-010-787-080	0E	C-CAP, U 0.022-25 K B	HASC2M	CX-NSZ309
O	MICON	C 0153	87-010-787-080	0E	C-CAP, U 0.022-25 K B	LHSCM	CX-SNSZ329
O	MICON	C 0154	87-A12-078-040	0E	CAP, E 47-35 SMG	HASC2M	CX-NSZ309
O	MICON	C 0154	87-A12-078-040	0E	CAP, E 47-35 SMG	LHSCM	CX-SNSZ329
O	MICON	C 0155	87-010-404-040	0E	CAP, E 4.7-50 M 11L SME	HASC2M	CX-NSZ309
O	MICON	C 0155	87-010-404-040	0E	CAP, E 4.7-50 M 11L SME	LHSCM	CX-SNSZ329
O	MICON	C 0156	87-010-404-040	0E	CAP, E 4.7-50 M 11L SME	HASC2M	CX-NSZ309
O	MICON	C 0156	87-010-404-040	0E	CAP, E 4.7-50 M 11L SME	LHSCM	CX-SNSZ329
O	MICON	C 0301	87-012-278-080	0E	C-CAP, U 2200P-50 K B	HASC2M	CX-NSZ309
O	MICON	C 0301	87-012-278-080	0E	C-CAP, U 2200P-50 K B	LHSCM	CX-SNSZ329
O	MICON	C 0351	87-A10-353-080	0E	C-CAP, U 0.22-10 K B	HASC2M	CX-NSZ309
O	MICON	C 0351	87-A10-353-080	0E	C-CAP, U 0.22-10 K B	LHSCM	CX-SNSZ329
O	MICON	C 0361	87-012-274-080	0E	C-CAP, U 1000P-50 K B	HASC2M	CX-NSZ309
O	MICON	C 0361	87-012-274-080	0E	C-CAP, U 1000P-50 K B	LHSCM	CX-SNSZ329
O	MICON	C 0362	87-012-274-080	0E	C-CAP, U 1000P-50 K B	HASC2M	CX-NSZ309
O	MICON	C 0362	87-012-274-080	0E	C-CAP, U 1000P-50 K B	LHSCM	CX-SNSZ329
O	MICON	C 0371	87-012-274-080	0E	C-CAP, U 1000P-50 K B	HASC2M	CX-NSZ309
O	MICON	C 0371	87-012-274-080	0E	C-CAP, U 1000P-50 K B	LHSCM	CX-SNSZ329
O	MICON	C 0372	87-012-274-080	0E	C-CAP, U 1000P-50 K B	HASC2M	CX-NSZ309
O	MICON	C 0372	87-012-274-080	0E	C-CAP, U 1000P-50 K B	LHSCM	CX-SNSZ329
O	MICON	C 0601	87-010-382-040	0E	CAP, E 22-25 M 11L SME	HASC2M	CX-NSZ309
O	MICON	C 0601	87-010-382-040	0E	CAP, E 22-25 M 11L SME	LHSCM	CX-SNSZ329
O	MICON	C 0801	87-A10-804-080	0E	C-CAP, S 0.1-25 J B	HASC2M	CX-NSZ309
O	MICON	C 0801	87-A10-804-080	0E	C-CAP, S 0.1-25 J B	LHSCM	CX-SNSZ329
O	MICON	C 0802	87-010-316-080	0E	C-CAP, S 33P-50 J CH GRM	HASC2M	CX-NSZ309
O	MICON	C 0802	87-010-316-080	0E	C-CAP, S 33P-50 J CH GRM	LHSCM	CX-SNSZ329
O	MICON	C 0803	87-012-280-080	0E	C-CAP, U 3300P-50 K B	HASC2M	CX-NSZ309
O	MICON	C 0803	87-012-280-080	0E	C-CAP, U 3300P-50 K B	LHSCM	CX-SNSZ329
O	MICON	C 0804	87-A10-592-080	0E	C-CAP, S 0.015-50 J B	HASC2M	CX-NSZ309
O	MICON	C 0804	87-A10-592-080	0E	C-CAP, S 0.015-50 J B	LHSCM	CX-SNSZ329
O	MICON	C 0805	87-012-184-080	0E	C-CAP, U 33P-50 J CH	HASC2M	CX-NSZ309
O	MICON	C 0805	87-012-184-080	0E	C-CAP, U 33P-50 J CH	LHSCM	CX-SNSZ329
O	MICON	C 0806	87-012-274-080	0E	C-CAP, U 1000P-50 K B	HASC2M	CX-NSZ309
O	MICON	C 0806	87-012-274-080	0E	C-CAP, U 1000P-50 K B	LHSCM	CX-SNSZ329

# PARTS LIST

! =  $\Delta$  SAFTY PARTS  
 C = Components marked

All components used on this model at the production line are shown in this service manual.

However, please note that not all components will be available as spare parts for after-sales service.

Components marked S and O are designated as spare parts for service and will be stocked at the spare parts centers.

Components marked X and R are not designated as spare parts for after sales service, and will not be stocked at the spare parts centers.

K NO. = Only use Japanese.

! C	UNIT NAME	REF NO.	PARTS CODE	K NO.	DESCRIPTION	SUFFIX	MODEL NAME
O	MICON	C 0807	87-012-274-080	0E	C-CAP,U 1000P-50 K B	HASC2M	CX-NSZ309
O	MICON	C 0807	87-012-274-080	0E	C-CAP,U 1000P-50 K B	LHSCM	CX-SNSZ329
O	MICON	C 0808	87-010-544-040	0E	CAP,E 0.1-50 M 11L SME	HASC2M	CX-NSZ309
O	MICON	C 0808	87-010-544-040	0E	CAP,E 0.1-50 M 11L SME	LHSCM	CX-SNSZ329
O	MICON	C 0809	87-010-404-040	0E	CAP,E 4.7-50 M 11L SME	HASC2M	CX-NSZ309
O	MICON	C 0809	87-010-404-040	0E	CAP,E 4.7-50 M 11L SME	LHSCM	CX-SNSZ329
O	MICON	C 0810	87-012-286-080	0E	C-CAP,U 0.01-25 K B	HASC2M	CX-NSZ309
O	MICON	C 0810	87-012-286-080	0E	C-CAP,U 0.01-25 K B	LHSCM	CX-SNSZ329
O	MICON	C 0811	87-A12-052-080	0E	C-CAP,S 0.033-25 J B	HASC2M	CX-NSZ309
O	MICON	C 0811	87-A12-052-080	0E	C-CAP,S 0.033-25 J B	LHSCM	CX-SNSZ329
O	MICON	C 0901	87-012-195-080	0E	C-CAP,U 100P-50 J CH	HASC2M	CX-NSZ309
O	MICON	C 0901	87-012-195-080	0E	C-CAP,U 100P-50 J CH	LHSCM	CX-SNSZ329
O	MICON	C 0902	87-012-195-080	0E	C-CAP,U 100P-50 J CH	HASC2M	CX-NSZ309
O	MICON	C 0902	87-012-195-080	0E	C-CAP,U 100P-50 J CH	LHSCM	CX-SNSZ329
O	MICON	C 0903	87-012-195-080	0E	C-CAP,U 100P-50 J CH	HASC2M	CX-NSZ309
O	MICON	C 0903	87-012-195-080	0E	C-CAP,U 100P-50 J CH	LHSCM	CX-SNSZ329
O	MICON	C 0904	87-012-195-080	0E	C-CAP,U 100P-50 J CH	HASC2M	CX-NSZ309
O	MICON	C 0904	87-012-195-080	0E	C-CAP,U 100P-50 J CH	LHSCM	CX-SNSZ329
O	MICON	C 0905	87-012-195-080	0E	C-CAP,U 100P-50 J CH	HASC2M	CX-NSZ309
O	MICON	C 0905	87-012-195-080	0E	C-CAP,U 100P-50 J CH	LHSCM	CX-SNSZ329
O	MICON	C 0906	87-012-195-080	0E	C-CAP,U 100P-50 J CH	HASC2M	CX-NSZ309
O	MICON	C 0906	87-012-195-080	0E	C-CAP,U 100P-50 J CH	LHSCM	CX-SNSZ329
O	MICON	C 0907	87-012-195-080	0E	C-CAP,U 100P-50 J CH	HASC2M	CX-NSZ309
O	MICON	C 0907	87-012-195-080	0E	C-CAP,U 100P-50 J CH	LHSCM	CX-SNSZ329
O	MICON	C 0908	87-012-195-080	0E	C-CAP,U 100P-50 J CH	HASC2M	CX-NSZ309
O	MICON	C 0908	87-012-195-080	0E	C-CAP,U 100P-50 J CH	LHSCM	CX-SNSZ329
O	MICON	C 0909	87-012-195-080	0E	C-CAP,U 100P-50 J CH	HASC2M	CX-NSZ309
O	MICON	C 0909	87-012-195-080	0E	C-CAP,U 100P-50 J CH	LHSCM	CX-SNSZ329
O	MICON	C 0910	87-012-195-080	0E	C-CAP,U 100P-50 J CH	HASC2M	CX-NSZ309
O	MICON	C 0910	87-012-195-080	0E	C-CAP,U 100P-50 J CH	LHSCM	CX-SNSZ329
O	MICON	C 0911	87-012-274-080	0E	C-CAP,U 1000P-50 K B	HASC2M	CX-NSZ309
O	MICON	C 0911	87-012-274-080	0E	C-CAP,U 1000P-50 K B	LHSCM	CX-SNSZ329
O	MICON	C 0912	87-010-831-080	0E	C-CAP,U 0.1-16 Z F	HASC2M	CX-NSZ309
O	MICON	C 0912	87-010-831-080	0E	C-CAP,U 0.1-16 Z F	LHSCM	CX-SNSZ329
O	MICON	C 0913	87-A10-189-040	0E	CAP,E 220-10 M 5L	HASC2M	CX-NSZ309
O	MICON	C 0913	87-A10-189-040	0E	CAP,E 220-10 M 5L	LHSCM	CX-SNSZ329
O	MICON	C 0914	87-A10-189-040	0E	CAP,E 220-10 M 5L	HASC2M	CX-NSZ309
O	MICON	C 0914	87-A10-189-040	0E	CAP,E 220-10 M 5L	LHSCM	CX-SNSZ329
O	MICON	C 0915	87-010-831-080	0E	C-CAP,U 0.1-16 Z F	HASC2M	CX-NSZ309
O	MICON	C 0915	87-010-831-080	0E	C-CAP,U 0.1-16 Z F	LHSCM	CX-SNSZ329
O	MICON	C 0916	87-010-831-080	0E	C-CAP,U 0.1-16 Z F	HASC2M	CX-NSZ309
O	MICON	C 0916	87-010-831-080	0E	C-CAP,U 0.1-16 Z F	LHSCM	CX-SNSZ329
O	MICON	C 0917	87-010-831-080	0E	C-CAP,U 0.1-16 Z F	HASC2M	CX-NSZ309
O	MICON	C 0917	87-010-831-080	0E	C-CAP,U 0.1-16 Z F	LHSCM	CX-SNSZ329
O	MICON	C 0919	87-012-286-080	0E	C-CAP,U 0.01-25 K B	HASC2M	CX-NSZ309
O	MICON	C 0919	87-012-286-080	0E	C-CAP,U 0.01-25 K B	LHSCM	CX-SNSZ329
O	MICON	C 0920	87-010-829-080	0E	C-CAP,U 0.047-16 Z F	HASC2M	CX-NSZ309
O	MICON	C 0920	87-010-829-080	0E	C-CAP,U 0.047-16 Z F	LHSCM	CX-SNSZ329
O	MICON	C 0921	87-012-282-080	0E	C-CAP,U 4700P-50 K B	HASC2M	CX-NSZ309
O	MICON	C 0921	87-012-282-080	0E	C-CAP,U 4700P-50 K B	LHSCM	CX-SNSZ329
O	MICON	C 0951	87-012-172-080	0E	C-CAP,U 10P-50 D CH	HASC2M	CX-NSZ309
O	MICON	C 0951	87-012-172-080	0E	C-CAP,U 10P-50 D CH	LHSCM	CX-SNSZ329
O	MICON	C 0952	87-010-854-080	0E	C-CAP,S 560P-50 J CH	HASC2M	CX-NSZ309
O	MICON	C 0952	87-010-854-080	0E	C-CAP,S 560P-50 J CH	LHSCM	CX-SNSZ329
O	MICON	C 0953	87-012-349-080	0E	C-CAP,S 1000P-50 J CH GRM	HASC2M	CX-NSZ309
O	MICON	C 0953	87-012-349-080	0E	C-CAP,S 1000P-50 J CH GRM	LHSCM	CX-SNSZ329
O	MICON	C 0961	87-010-378-040	0E	CAP,E 10-16 M 11L SME	HASC2M	CX-NSZ309
O	MICON	C 0961	87-010-378-040	0E	CAP,E 10-16 M 11L SME	LHSCM	CX-SNSZ329
O	MICON	C 0962	87-012-336-080	0E	C-CAP,U 330P-50 J SL	HASC2M	CX-NSZ309
O	MICON	C 0962	87-012-336-080	0E	C-CAP,U 330P-50 J SL	LHSCM	CX-SNSZ329
O	MICON	C 0963	87-010-831-080	0E	C-CAP,U 0.1-16 Z F	HASC2M	CX-NSZ309
O	MICON	C 0963	87-010-831-080	0E	C-CAP,U 0.1-16 Z F	LHSCM	CX-SNSZ329
!	O MICON	CN 0104	87-A60-057-010	0E	CONN,11P V 9604S-11C	HASC2M	CX-NSZ309
!	O MICON	CN 0104	87-A60-057-010	0E	CONN,11P V 9604S-11C	LHSCM	CX-SNSZ329
!	O MICON	CN 0701	87-099-720-010	1B	CONN,30P BLK TYK-B(P)	HASC2M	CX-NSZ309
!	O MICON	CN 0701	87-099-720-010	1B	CONN,30P BLK TYK-B(P)	LHSCM	CX-SNSZ329
!	O MICON	CN 0731	87-099-196-010	0E	CONN,8P V BLK 6216	HASC2M	CX-NSZ309
!	O MICON	CN 0731	87-099-196-010	0E	CONN,8P V BLK 6216	LHSCM	CX-SNSZ329
S	MICON	D 0104	87-A40-291-080	0E	DIODE,1N4148M (CPT)	HASC2M	CX-NSZ309
S	MICON	D 0104	87-A40-291-080	0E	DIODE,1N4148M (CPT)	LHSCM	CX-SNSZ329

# PARTS LIST

! =  $\Delta$  SAFTY PARTS  
 C = Components marked

All components used on this model at the production line are shown in this service manual.

However, please note that not all components will be available as spare parts for after-sales service.

Components marked S and O are designated as spare parts for service and will be stocked at the spare parts centers.

Components marked X and R are not designated as spare parts for after sales service, and will not be stocked at the spare parts centers.

K NO. = Only use Japanese.

! C	UNIT NAME	REF NO.	PARTS CODE	K NO.	DESCRIPTION	SUFFIX	MODEL NAME
S	MICON	D 0301	87-A40-748-080	0E	ZENER, UZ5.6BSA	HASC2M	CX-NSZ309
S	MICON	D 0301	87-A40-748-080	0E	ZENER, UZ5.6BSA	LHSCM	CX-SNSZ329
S	MICON	D 0302	87-A40-291-080	0E	DIODE, 1N4148M (CPT)	HASC2M	CX-NSZ309
S	MICON	D 0302	87-A40-291-080	0E	DIODE, 1N4148M (CPT)	LHSCM	CX-SNSZ329
S	MICON	D 0601	87-A40-269-080	0E	C-DIODE, MC2836	HASC2M	CX-NSZ309
S	MICON	D 0601	87-A40-269-080	0E	C-DIODE, MC2836	LHSCM	CX-SNSZ329
S	MICON	D 0651	87-A40-269-080	0E	C-DIODE, MC2836	HASC2M	CX-NSZ309
S	MICON	D 0651	87-A40-269-080	0E	C-DIODE, MC2836	LHSCM	CX-SNSZ329
S	MICON	D 0652	87-A40-269-080	0E	C-DIODE, MC2836	HASC2M	CX-NSZ309
S	MICON	D 0652	87-A40-269-080	0E	C-DIODE, MC2836	LHSCM	CX-SNSZ329
S	MICON	D 0653	87-A40-269-080	0E	C-DIODE, MC2836	HASC2M	CX-NSZ309
S	MICON	D 0653	87-A40-269-080	0E	C-DIODE, MC2836	LHSCM	CX-SNSZ329
S	MICON	D 0654	87-A40-269-080	0E	C-DIODE, MC2836	HASC2M	CX-NSZ309
S	MICON	D 0654	87-A40-269-080	0E	C-DIODE, MC2836	LHSCM	CX-SNSZ329
S	MICON	D 0655	87-A40-269-080	0E	C-DIODE, MC2836	HASC2M	CX-NSZ309
S	MICON	D 0655	87-A40-269-080	0E	C-DIODE, MC2836	LHSCM	CX-SNSZ329
S	MICON	D 0656	87-A40-269-080	0E	C-DIODE, MC2836	HASC2M	CX-NSZ309
S	MICON	D 0656	87-A40-269-080	0E	C-DIODE, MC2836	LHSCM	CX-SNSZ329
X	MICON	D 0702	88-100-000-010	0E	PLATING-JW, 0.58 SN95	LHSCM	CX-SNSZ329
X	MICON	D 0703	88-100-000-010	0E	PLATING-JW, 0.58 SN95	LHSCM	CX-SNSZ329
S	MICON	D 0801	87-A40-291-080	0E	DIODE, 1N4148M (CPT)	HASC2M	CX-NSZ309
S	MICON	D 0801	87-A40-291-080	0E	DIODE, 1N4148M (CPT)	LHSCM	CX-SNSZ329
S	MICON	D 0981	87-A40-291-080	0E	DIODE, 1N4148M (CPT)	HASC2M	CX-NSZ309
S	MICON	D 0981	87-A40-291-080	0E	DIODE, 1N4148M (CPT)	LHSCM	CX-SNSZ329
S	MICON	D 0989	87-A40-291-080	0E	DIODE, 1N4148M (CPT)	HASC2M	CX-NSZ309
S	MICON	D 0989	87-A40-291-080	0E	DIODE, 1N4148M (CPT)	LHSCM	CX-SNSZ329
S	MICON	D 0990	87-A40-291-080	0E	DIODE, 1N4148M (CPT)	HASC2M	CX-NSZ309
S	MICON	D 0990	87-A40-291-080	0E	DIODE, 1N4148M (CPT)	LHSCM	CX-SNSZ329
O	MICON	FL 0901	8B-NF9-605-010	2M	FL, BJ814GNK	HASC2M	CX-NSZ309
O	MICON	FL 0901	8B-NF9-605-010	2M	FL, BJ814GNK	LHSCM	CX-SNSZ329
S	MICON	IC 0901	8B-NF9-601-030	2A	C-IC, UPD780226GF-021-3BA	HASC2M	CX-NSZ309
S	MICON	IC 0901	8B-NF9-601-030	2A	C-IC, UPD780226GF-021-3BA	LHSCM	CX-SNSZ329
S	MICON	IC 0961	87-A21-218-110	1B	IC, NJL64H380A	HASC2M	CX-NSZ309
S	MICON	IC 0961	87-A21-218-110	1B	IC, NJL64H380A	LHSCM	CX-SNSZ329
X	MICON	JR 0101	88-108-000-080	0E	C-JUMPER, U	HASC2M	CX-NSZ309
X	MICON	JR 0101	88-108-000-080	0E	C-JUMPER, U	LHSCM	CX-SNSZ329
X	MICON	JR 0151	88-108-000-080	0E	C-JUMPER, U	HASC2M	CX-NSZ309
X	MICON	JR 0151	88-108-000-080	0E	C-JUMPER, U	LHSCM	CX-SNSZ329
X	MICON	JR 0152	88-108-000-080	0E	C-JUMPER, U	HASC2M	CX-NSZ309
X	MICON	JR 0152	88-108-000-080	0E	C-JUMPER, U	LHSCM	CX-SNSZ329
X	MICON	JR 0361	88-108-000-080	0E	C-JUMPER, U	HASC2M	CX-NSZ309
X	MICON	JR 0361	88-108-000-080	0E	C-JUMPER, U	LHSCM	CX-SNSZ329
X	MICON	JR 0601	88-108-000-080	0E	C-JUMPER, U	HASC2M	CX-NSZ309
X	MICON	JR 0601	88-108-000-080	0E	C-JUMPER, U	LHSCM	CX-SNSZ329
X	MICON	JR 0603	88-108-000-080	0E	C-JUMPER, U	HASC2M	CX-NSZ309
X	MICON	JR 0603	88-108-000-080	0E	C-JUMPER, U	LHSCM	CX-SNSZ329
X	MICON	JR 0605	88-108-000-080	0E	C-JUMPER, U	HASC2M	CX-NSZ309
X	MICON	JR 0605	88-108-000-080	0E	C-JUMPER, U	LHSCM	CX-SNSZ329
X	MICON	JR 0607	88-108-000-080	0E	C-JUMPER, U	HASC2M	CX-NSZ309
X	MICON	JR 0607	88-108-000-080	0E	C-JUMPER, U	LHSCM	CX-SNSZ329
X	MICON	JR 0609	88-108-000-080	0E	C-JUMPER, U	HASC2M	CX-NSZ309
X	MICON	JR 0609	88-108-000-080	0E	C-JUMPER, U	LHSCM	CX-SNSZ329
X	MICON	JR 0612	88-108-000-080	0E	C-JUMPER, U	HASC2M	CX-NSZ309
X	MICON	JR 0612	88-108-000-080	0E	C-JUMPER, U	LHSCM	CX-SNSZ329
X	MICON	JR 0616	88-108-000-080	0E	C-JUMPER, U	HASC2M	CX-NSZ309
X	MICON	JR 0616	88-108-000-080	0E	C-JUMPER, U	LHSCM	CX-SNSZ329
X	MICON	JR 0617	88-108-000-080	0E	C-JUMPER, U	HASC2M	CX-NSZ309
X	MICON	JR 0617	88-108-000-080	0E	C-JUMPER, U	LHSCM	CX-SNSZ329
X	MICON	JR 0618	88-108-000-080	0E	C-JUMPER, U	HASC2M	CX-NSZ309
X	MICON	JR 0618	88-108-000-080	0E	C-JUMPER, U	LHSCM	CX-SNSZ329
X	MICON	JR 0619	88-108-000-080	0E	C-JUMPER, U	HASC2M	CX-NSZ309
X	MICON	JR 0619	88-108-000-080	0E	C-JUMPER, U	LHSCM	CX-SNSZ329
X	MICON	JR 0621	88-108-000-080	0E	C-JUMPER, U	HASC2M	CX-NSZ309
X	MICON	JR 0621	88-108-000-080	0E	C-JUMPER, U	LHSCM	CX-SNSZ329
X	MICON	JR 0901	88-108-000-080	0E	C-JUMPER, U	HASC2M	CX-NSZ309
X	MICON	JR 0901	88-108-000-080	0E	C-JUMPER, U	LHSCM	CX-SNSZ329
X	MICON	JR 0902	88-108-000-080	0E	C-JUMPER, U	HASC2M	CX-NSZ309
X	MICON	JR 0902	88-108-000-080	0E	C-JUMPER, U	LHSCM	CX-SNSZ329
X	MICON	JR 0903	88-108-000-080	0E	C-JUMPER, U	HASC2M	CX-NSZ309
X	MICON	JR 0903	88-108-000-080	0E	C-JUMPER, U	LHSCM	CX-SNSZ329

# PARTS LIST

! =  $\Delta$  SAFTY PARTS  
 C = Components marked

All components used on this model at the production line are shown in this service manual.

However, please note that not all components will be available as spare parts for after-sales service.

Components marked S and O are designated as spare parts for service and will be stocked at the spare parts centers.

Components marked X and R are not designated as spare parts for after sales service, and will not be stocked at the spare parts centers.

K NO. = Only use Japanese.

! C	UNIT NAME	REF NO.	PARTS CODE	K NO.	DESCRIPTION	SUFFIX	MODEL NAME
X	MICON	JR 0904	88-129-000-080	0E	C-JUMPER, 3216	HASC2M	CX-NSZ309
X	MICON	JR 0904	88-129-000-080	0E	C-JUMPER, 3216	LHSCM	CX-SNSZ329
X	MICON	JR 0905	88-108-000-080	0E	C-JUMPER,U	HASC2M	CX-NSZ309
X	MICON	JR 0905	88-108-000-080	0E	C-JUMPER,U	LHSCM	CX-SNSZ329
X	MICON	JR 0906	88-108-000-080	0E	C-JUMPER,U	HASC2M	CX-NSZ309
X	MICON	JR 0906	88-108-000-080	0E	C-JUMPER,U	LHSCM	CX-SNSZ329
X	MICON	JR 0964	88-108-000-080	0E	C-JUMPER,U	HASC2M	CX-NSZ309
X	MICON	JR 0964	88-108-000-080	0E	C-JUMPER,U	LHSCM	CX-SNSZ329
O	MICON	L 0951	87-A50-655-010	0E	COIL,CLK 4.19MHZ (TOKO)7KLY	HASC2M	CX-NSZ309
O	MICON	L 0951	87-A50-655-010	0E	COIL,CLK 4.19MHZ (TOKO)7KLY	LHSCM	CX-SNSZ329
O	MICON	LED0209	87-A41-062-040	0E	LED, LTL-1CHEE-012A RED	HASC2M	CX-NSZ309
O	MICON	LED0209	87-A41-062-040	0E	LED, LTL-1CHEE-012A RED	LHSCM	CX-SNSZ329
S	MICON	Q 0102	87-A30-076-080	0E	C-TR,2SC3052F	HASC2M	CX-NSZ309
S	MICON	Q 0102	87-A30-076-080	0E	C-TR,2SC3052F	LHSCM	CX-SNSZ329
S	MICON	Q 0103	87-A30-074-080	0E	C-TR,RT1P 141C	HASC2M	CX-NSZ309
S	MICON	Q 0103	87-A30-074-080	0E	C-TR,RT1P 141C	LHSCM	CX-SNSZ329
S	MICON	Q 0104	87-A30-074-080	0E	C-TR,RT1P 141C	HASC2M	CX-NSZ309
S	MICON	Q 0104	87-A30-074-080	0E	C-TR,RT1P 141C	LHSCM	CX-SNSZ329
S	MICON	Q 0105	87-A30-468-080	0E	C-TR,KRC102S-RTK	HASC2M	CX-NSZ309
S	MICON	Q 0105	87-A30-468-080	0E	C-TR,KRC102S-RTK	LHSCM	CX-SNSZ329
S	MICON	Q 0301	87-A30-494-080	0E	TR,2SA1980G	HASC2M	CX-NSZ309
S	MICON	Q 0301	87-A30-494-080	0E	TR,2SA1980G	LHSCM	CX-SNSZ329
S	MICON	Q 0302	87-A30-076-080	0E	C-TR,2SC3052F	HASC2M	CX-NSZ309
S	MICON	Q 0302	87-A30-076-080	0E	C-TR,2SC3052F	LHSCM	CX-SNSZ329
S	MICON	Q 0303	87-A30-076-080	0E	C-TR,2SC3052F	HASC2M	CX-NSZ309
S	MICON	Q 0303	87-A30-076-080	0E	C-TR,2SC3052F	LHSCM	CX-SNSZ329
S	MICON	Q 0601	87-A30-495-080	0E	TR,2SA1981Y	HASC2M	CX-NSZ309
S	MICON	Q 0601	87-A30-495-080	0E	TR,2SA1981Y	LHSCM	CX-SNSZ329
S	MICON	Q 0602	87-A30-495-080	0E	TR,2SA1981Y	HASC2M	CX-NSZ309
S	MICON	Q 0602	87-A30-495-080	0E	TR,2SA1981Y	LHSCM	CX-SNSZ329
S	MICON	Q 0603	87-A30-582-080	0E	TR,CDA1585BC	HASC2M	CX-NSZ309
S	MICON	Q 0603	87-A30-582-080	0E	TR,CDA1585BC	LHSCM	CX-SNSZ329
S	MICON	Q 0801	87-A30-076-080	0E	C-TR,2SC3052F	HASC2M	CX-NSZ309
S	MICON	Q 0801	87-A30-076-080	0E	C-TR,2SC3052F	LHSCM	CX-SNSZ329
S	MICON	Q 0802	87-A30-075-080	0E	C-TR,2SA1235F	HASC2M	CX-NSZ309
S	MICON	Q 0802	87-A30-075-080	0E	C-TR,2SA1235F	LHSCM	CX-SNSZ329
S	MICON	Q 0803	87-A30-288-040	0E	C-TR,DTC114YKA	HASC2M	CX-NSZ309
S	MICON	Q 0803	87-A30-288-040	0E	C-TR,DTC114YKA	LHSCM	CX-SNSZ329
S	MICON	Q 0804	87-A30-288-040	0E	C-TR,DTC114YKA	HASC2M	CX-NSZ309
S	MICON	Q 0804	87-A30-288-040	0E	C-TR,DTC114YKA	LHSCM	CX-SNSZ329
S	MICON	Q 0805	87-A30-288-040	0E	C-TR,DTC114YKA	HASC2M	CX-NSZ309
S	MICON	Q 0805	87-A30-288-040	0E	C-TR,DTC114YKA	LHSCM	CX-SNSZ329
S	MICON	Q 0901	87-A30-074-080	0E	C-TR,RT1P 141C	HASC2M	CX-NSZ309
S	MICON	Q 0901	87-A30-074-080	0E	C-TR,RT1P 141C	LHSCM	CX-SNSZ329
X	MICON	R 0109	88-108-224-080	0E	C-RES,U 220K-1/16W J	HASC2M	CX-NSZ309
X	MICON	R 0109	88-108-224-080	0E	C-RES,U 220K-1/16W J	LHSCM	CX-SNSZ329
X	MICON	R 0110	88-108-153-080	0E	C-RES,U 15K-1/16W J	HASC2M	CX-NSZ309
X	MICON	R 0110	88-108-153-080	0E	C-RES,U 15K-1/16W J	LHSCM	CX-SNSZ329
X	MICON	R 0111	88-108-333-080	0E	C-RES,U 33K-1/16W J	HASC2M	CX-NSZ309
X	MICON	R 0111	88-108-333-080	0E	C-RES,U 33K-1/16W J	LHSCM	CX-SNSZ329
X	MICON	R 0112	88-108-224-080	0E	C-RES,U 220K-1/16W J	HASC2M	CX-NSZ309
X	MICON	R 0112	88-108-224-080	0E	C-RES,U 220K-1/16W J	LHSCM	CX-SNSZ329
X	MICON	R 0114	88-108-103-080	0E	C-RES,U 10K-1/16W J	HASC2M	CX-NSZ309
X	MICON	R 0114	88-108-103-080	0E	C-RES,U 10K-1/16W J	LHSCM	CX-SNSZ329
X	MICON	R 0115	88-108-103-080	0E	C-RES,U 10K-1/16W J	HASC2M	CX-NSZ309
X	MICON	R 0115	88-108-103-080	0E	C-RES,U 10K-1/16W J	LHSCM	CX-SNSZ329
X	MICON	R 0116	88-108-104-080	0E	C-RES,U 100K-1/16W J	HASC2M	CX-NSZ309
X	MICON	R 0116	88-108-104-080	0E	C-RES,U 100K-1/16W J	LHSCM	CX-SNSZ329
X	MICON	R 0151	88-100-000-010	0E	PLATING-JW, 0.58 SN95	HASC2M	CX-SNSZ329
X	MICON	R 0152	88-100-000-010	0E	PLATING-JW, 0.58 SN95	LHSCM	CX-SNSZ329
X	MICON	R 0153	88-128-821-080	0E	C-RES, 820-1/8W J	HASC2M	CX-NSZ309
X	MICON	R 0153	88-128-821-080	0E	C-RES, 820-1/8W J	LHSCM	CX-SNSZ329
X	MICON	R 0154	88-128-821-080	0E	C-RES, 820-1/8W J	HASC2M	CX-NSZ309
X	MICON	R 0154	88-128-821-080	0E	C-RES, 820-1/8W J	LHSCM	CX-SNSZ329
X	MICON	R 0155	88-108-332-080	0E	C-RES,U 3.3K-1/16W J	HASC2M	CX-NSZ309
X	MICON	R 0155	88-108-332-080	0E	C-RES,U 3.3K-1/16W J	LHSCM	CX-SNSZ329
X	MICON	R 0156	88-108-332-080	0E	C-RES,U 3.3K-1/16W J	HASC2M	CX-NSZ309
X	MICON	R 0156	88-108-332-080	0E	C-RES,U 3.3K-1/16W J	LHSCM	CX-SNSZ329
X	MICON	R 0208	88-121-332-080	0E	RES,3.3K-1/8W J	HASC2M	CX-NSZ309
X	MICON	R 0208	88-121-332-080	0E	RES,3.3K-1/8W J	LHSCM	CX-SNSZ329



# PARTS LIST

! =  $\Delta$  SAFTY PARTS  
 C = Components marked

All components used on this model at the production line are shown in this service manual.

However, please note that not all components will be available as spare parts for after-sales service.

Components marked S and O are designated as spare parts for service and will be stocked at the spare parts centers.

Components marked X and R are not designated as spare parts for after sales service, and will not be stocked at the spare parts centers.

K NO. = Only use Japanese.

! C	UNIT NAME	REF NO.	PARTS CODE	K NO.	DESCRIPTION	SUFFIX	MODEL NAME
X	MICON	R 0301	88-108-104-080	0E	C-RES,U 100K-1/16W J	HASC2M	CX-NSZ309
X	MICON	R 0301	88-108-104-080	0E	C-RES,U 100K-1/16W J	LHSCM	CX-SNSZ329
X	MICON	R 0302	88-108-472-080	0E	C-RES,U 4.7K-1/16W J	HASC2M	CX-NSZ309
X	MICON	R 0302	88-108-472-080	0E	C-RES,U 4.7K-1/16W J	LHSCM	CX-SNSZ329
X	MICON	R 0303	88-108-153-080	0E	C-RES,U 15K-1/16W J	HASC2M	CX-NSZ309
X	MICON	R 0303	88-108-153-080	0E	C-RES,U 15K-1/16W J	LHSCM	CX-SNSZ329
X	MICON	R 0304	88-108-102-080	0E	C-RES,U 1K-1/16W J	HASC2M	CX-NSZ309
X	MICON	R 0304	88-108-102-080	0E	C-RES,U 1K-1/16W J	LHSCM	CX-SNSZ329
X	MICON	R 0306	88-108-471-080	0E	C-RES,U 470-1/16W J	HASC2M	CX-NSZ309
X	MICON	R 0306	88-108-471-080	0E	C-RES,U 470-1/16W J	LHSCM	CX-SNSZ329
X	MICON	R 0321	88-108-103-080	0E	C-RES,U 10K-1/16W J	HASC2M	CX-NSZ309
X	MICON	R 0321	88-108-103-080	0E	C-RES,U 10K-1/16W J	LHSCM	CX-SNSZ329
X	MICON	R 0322	88-108-102-080	0E	C-RES,U 1K-1/16W J	HASC2M	CX-NSZ309
X	MICON	R 0322	88-108-102-080	0E	C-RES,U 1K-1/16W J	LHSCM	CX-SNSZ329
X	MICON	R 0323	88-108-821-080	0E	C-RES,U 820-1/16W J	HASC2M	CX-NSZ309
X	MICON	R 0323	88-108-821-080	0E	C-RES,U 820-1/16W J	LHSCM	CX-SNSZ329
X	MICON	R 0324	88-108-122-080	0E	C-RES,U 1.2K-1/16W J	HASC2M	CX-NSZ309
X	MICON	R 0324	88-108-122-080	0E	C-RES,U 1.2K-1/16W J	LHSCM	CX-SNSZ329
X	MICON	R 0325	88-108-122-080	0E	C-RES,U 1.2K-1/16W J	HASC2M	CX-NSZ309
X	MICON	R 0325	88-108-122-080	0E	C-RES,U 1.2K-1/16W J	LHSCM	CX-SNSZ329
X	MICON	R 0326	88-108-122-080	0E	C-RES,U 1.2K-1/16W J	HASC2M	CX-NSZ309
X	MICON	R 0326	88-108-122-080	0E	C-RES,U 1.2K-1/16W J	LHSCM	CX-SNSZ329
X	MICON	R 0327	88-108-182-080	0E	C-RES,U 1.8K-1/16W J	HASC2M	CX-NSZ309
X	MICON	R 0327	88-108-182-080	0E	C-RES,U 1.8K-1/16W J	LHSCM	CX-SNSZ329
X	MICON	R 0328	88-108-182-080	0E	C-RES,U 1.8K-1/16W J	HASC2M	CX-NSZ309
X	MICON	R 0328	88-108-182-080	0E	C-RES,U 1.8K-1/16W J	LHSCM	CX-SNSZ329
X	MICON	R 0329	88-121-272-080	0E	RES,2.7K-1/8W J	HASC2M	CX-NSZ309
X	MICON	R 0329	88-121-272-080	0E	RES,2.7K-1/8W J	LHSCM	CX-SNSZ329
X	MICON	R 0330	88-108-332-080	0E	C-RES,U 3.3K-1/16W J	HASC2M	CX-NSZ309
X	MICON	R 0330	88-108-332-080	0E	C-RES,U 3.3K-1/16W J	LHSCM	CX-SNSZ329
X	MICON	R 0331	88-121-472-080	0E	RES,4.7K-1/8W J	HASC2M	CX-NSZ309
X	MICON	R 0331	88-121-472-080	0E	RES,4.7K-1/8W J	LHSCM	CX-SNSZ329
X	MICON	R 0332	88-108-682-080	0E	C-RES,U 6.8K-1/16W J	HASC2M	CX-NSZ309
X	MICON	R 0332	88-108-682-080	0E	C-RES,U 6.8K-1/16W J	LHSCM	CX-SNSZ329
X	MICON	R 0333	88-121-103-080	0E	RES,10K-1/8W J	HASC2M	CX-NSZ309
X	MICON	R 0333	88-121-103-080	0E	RES,10K-1/8W J	LHSCM	CX-SNSZ329
X	MICON	R 0334	88-108-183-080	0E	C-RES,U 18K-1/16W J	HASC2M	CX-NSZ309
X	MICON	R 0334	88-108-183-080	0E	C-RES,U 18K-1/16W J	LHSCM	CX-SNSZ329
X	MICON	R 0341	88-108-103-080	0E	C-RES,U 10K-1/16W J	HASC2M	CX-NSZ309
X	MICON	R 0341	88-108-103-080	0E	C-RES,U 10K-1/16W J	LHSCM	CX-SNSZ329
X	MICON	R 0342	88-108-102-080	0E	C-RES,U 1K-1/16W J	HASC2M	CX-NSZ309
X	MICON	R 0342	88-108-102-080	0E	C-RES,U 1K-1/16W J	LHSCM	CX-SNSZ329
X	MICON	R 0343	88-108-821-080	0E	C-RES,U 820-1/16W J	HASC2M	CX-NSZ309
X	MICON	R 0343	88-108-821-080	0E	C-RES,U 820-1/16W J	LHSCM	CX-SNSZ329
X	MICON	R 0344	88-108-102-080	0E	C-RES,U 1K-1/16W J	HASC2M	CX-NSZ309
X	MICON	R 0344	88-108-102-080	0E	C-RES,U 1K-1/16W J	LHSCM	CX-SNSZ329
X	MICON	R 0345	88-108-122-080	0E	C-RES,U 1.2K-1/16W J	HASC2M	CX-NSZ309
X	MICON	R 0345	88-108-122-080	0E	C-RES,U 1.2K-1/16W J	LHSCM	CX-SNSZ329
X	MICON	R 0346	88-121-122-080	0E	RES,1.2K-1/8W J	HASC2M	CX-NSZ309
X	MICON	R 0346	88-121-122-080	0E	RES,1.2K-1/8W J	LHSCM	CX-SNSZ329
X	MICON	R 0347	88-108-182-080	0E	C-RES,U 1.8K-1/16W J	HASC2M	CX-NSZ309
X	MICON	R 0347	88-108-182-080	0E	C-RES,U 1.8K-1/16W J	LHSCM	CX-SNSZ329
X	MICON	R 0348	88-108-182-080	0E	C-RES,U 1.8K-1/16W J	HASC2M	CX-NSZ309
X	MICON	R 0348	88-108-182-080	0E	C-RES,U 1.8K-1/16W J	LHSCM	CX-SNSZ329
X	MICON	R 0349	88-108-272-080	0E	C-RES,U 2.7K-1/16W J	HASC2M	CX-NSZ309
X	MICON	R 0349	88-108-272-080	0E	C-RES,U 2.7K-1/16W J	LHSCM	CX-SNSZ329
X	MICON	R 0361	88-108-103-080	0E	C-RES,U 10K-1/16W J	HASC2M	CX-NSZ309
X	MICON	R 0361	88-108-103-080	0E	C-RES,U 10K-1/16W J	LHSCM	CX-SNSZ329
X	MICON	R 0362	88-108-103-080	0E	C-RES,U 10K-1/16W J	HASC2M	CX-NSZ309
X	MICON	R 0362	88-108-103-080	0E	C-RES,U 10K-1/16W J	LHSCM	CX-SNSZ329
X	MICON	R 0363	88-108-100-080	0E	C-RES,U 10-1/16W J	HASC2M	CX-NSZ309
X	MICON	R 0363	88-108-100-080	0E	C-RES,U 10-1/16W J	LHSCM	CX-SNSZ329
X	MICON	R 0364	88-108-100-080	0E	C-RES,U 10-1/16W J	HASC2M	CX-NSZ309
X	MICON	R 0364	88-108-100-080	0E	C-RES,U 10-1/16W J	LHSCM	CX-SNSZ329
X	MICON	R 0371	88-108-103-080	0E	C-RES,U 10K-1/16W J	HASC2M	CX-NSZ309
X	MICON	R 0371	88-108-103-080	0E	C-RES,U 10K-1/16W J	LHSCM	CX-SNSZ329
X	MICON	R 0372	88-108-103-080	0E	C-RES,U 10K-1/16W J	HASC2M	CX-NSZ309
X	MICON	R 0372	88-108-103-080	0E	C-RES,U 10K-1/16W J	LHSCM	CX-SNSZ329
X	MICON	R 0373	88-108-100-080	0E	C-RES,U 10-1/16W J	HASC2M	CX-NSZ309
X	MICON	R 0373	88-108-100-080	0E	C-RES,U 10-1/16W J	LHSCM	CX-SNSZ329

# PARTS LIST

! =  $\Delta$  SAFTY PARTS  
 C = Components marked

All components used on this model at the production line are shown in this service manual.

However, please note that not all components will be available as spare parts for after-sales service.

Components marked S and O are designated as spare parts for service and will be stocked at the spare parts centers.

Components marked X and R are not designated as spare parts for after sales service, and will not be stocked at the spare parts centers.

K NO. = Only use Japanese.

! C	UNIT NAME	REF NO.	PARTS CODE	K NO.	DESCRIPTION	SUFFIX	MODEL NAME
X	MICON	R 0374	88-108-100-080	0E	C-RES,U 10-1/16W J	HASC2M	CX-NSZ309
X	MICON	R 0374	88-108-100-080	0E	C-RES,U 10-1/16W J	LHSCM	CX-SNSZ329
X	MICON	R 0601	88-108-103-080	0E	C-RES,U 10K-1/16W J	HASC2M	CX-NSZ309
X	MICON	R 0601	88-108-103-080	0E	C-RES,U 10K-1/16W J	LHSCM	CX-SNSZ329
X	MICON	R 0602	88-108-222-080	0E	C-RES,U 2.2K-1/16W J	HASC2M	CX-NSZ309
X	MICON	R 0602	88-108-222-080	0E	C-RES,U 2.2K-1/16W J	LHSCM	CX-SNSZ329
X	MICON	R 0603	88-108-103-080	0E	C-RES,U 10K-1/16W J	HASC2M	CX-NSZ309
X	MICON	R 0603	88-108-103-080	0E	C-RES,U 10K-1/16W J	LHSCM	CX-SNSZ329
X	MICON	R 0604	88-108-222-080	0E	C-RES,U 2.2K-1/16W J	HASC2M	CX-NSZ309
X	MICON	R 0604	88-108-222-080	0E	C-RES,U 2.2K-1/16W J	LHSCM	CX-SNSZ329
X	MICON	R 0605	88-108-103-080	0E	C-RES,U 10K-1/16W J	HASC2M	CX-NSZ309
X	MICON	R 0605	88-108-103-080	0E	C-RES,U 10K-1/16W J	LHSCM	CX-SNSZ329
X	MICON	R 0606	88-108-102-080	0E	C-RES,U 1K-1/16W J	HASC2M	CX-NSZ309
X	MICON	R 0606	88-108-102-080	0E	C-RES,U 1K-1/16W J	LHSCM	CX-SNSZ329
X	MICON	R 0607	88-108-000-080	0E	C-JUMPER,U	HASC2M	CX-NSZ309
X	MICON	R 0607	88-108-000-080	0E	C-JUMPER,U	LHSCM	CX-SNSZ329
X	MICON	R 0611	88-108-473-080	0E	C-RES,U 47K-1/16W J	HASC2M	CX-NSZ309
X	MICON	R 0611	88-108-473-080	0E	C-RES,U 47K-1/16W J	LHSCM	CX-SNSZ329
X	MICON	R 0613	88-108-473-080	0E	C-RES,U 47K-1/16W J	HASC2M	CX-NSZ309
X	MICON	R 0613	88-108-473-080	0E	C-RES,U 47K-1/16W J	LHSCM	CX-SNSZ329
X	MICON	R 0614	88-108-473-080	0E	C-RES,U 47K-1/16W J	HASC2M	CX-NSZ309
X	MICON	R 0614	88-108-473-080	0E	C-RES,U 47K-1/16W J	LHSCM	CX-SNSZ329
X	MICON	R 0615	88-108-473-080	0E	C-RES,U 47K-1/16W J	HASC2M	CX-NSZ309
X	MICON	R 0615	88-108-473-080	0E	C-RES,U 47K-1/16W J	LHSCM	CX-SNSZ329
X	MICON	R 0616	88-108-473-080	0E	C-RES,U 47K-1/16W J	HASC2M	CX-NSZ309
X	MICON	R 0616	88-108-473-080	0E	C-RES,U 47K-1/16W J	LHSCM	CX-SNSZ329
X	MICON	R 0651	88-128-152-080	0E	C-RES, 1.5K-1/8W J	HASC2M	CX-NSZ309
X	MICON	R 0651	88-128-152-080	0E	C-RES, 1.5K-1/8W J	LHSCM	CX-SNSZ329
X	MICON	R 0652	88-108-152-080	0E	C-RES,U 1.5K-1/16W J	HASC2M	CX-NSZ309
X	MICON	R 0652	88-108-152-080	0E	C-RES,U 1.5K-1/16W J	LHSCM	CX-SNSZ329
X	MICON	R 0653	88-108-152-080	0E	C-RES,U 1.5K-1/16W J	HASC2M	CX-NSZ309
X	MICON	R 0653	88-108-152-080	0E	C-RES,U 1.5K-1/16W J	LHSCM	CX-SNSZ329
X	MICON	R 0654	88-108-152-080	0E	C-RES,U 1.5K-1/16W J	HASC2M	CX-NSZ309
X	MICON	R 0654	88-108-152-080	0E	C-RES,U 1.5K-1/16W J	LHSCM	CX-SNSZ329
X	MICON	R 0655	88-128-152-080	0E	C-RES, 1.5K-1/8W J	HASC2M	CX-NSZ309
X	MICON	R 0655	88-128-152-080	0E	C-RES, 1.5K-1/8W J	LHSCM	CX-SNSZ329
X	MICON	R 0656	88-108-152-080	0E	C-RES,U 1.5K-1/16W J	HASC2M	CX-NSZ309
X	MICON	R 0656	88-108-152-080	0E	C-RES,U 1.5K-1/16W J	LHSCM	CX-SNSZ329
X	MICON	R 0704	88-121-102-080	0E	RES,1K-1/8W J	HASC2M	CX-NSZ309
X	MICON	R 0704	88-121-102-080	0E	RES,1K-1/8W J	LHSCM	CX-SNSZ329
X	MICON	R 0705	88-108-102-080	0E	C-RES,U 1K-1/16W J	HASC2M	CX-NSZ309
X	MICON	R 0705	88-108-102-080	0E	C-RES,U 1K-1/16W J	LHSCM	CX-SNSZ329
X	MICON	R 0706	88-108-102-080	0E	C-RES,U 1K-1/16W J	HASC2M	CX-NSZ309
X	MICON	R 0706	88-108-102-080	0E	C-RES,U 1K-1/16W J	LHSCM	CX-SNSZ329
X	MICON	R 0707	88-108-102-080	0E	C-RES,U 1K-1/16W J	HASC2M	CX-NSZ309
X	MICON	R 0707	88-108-102-080	0E	C-RES,U 1K-1/16W J	LHSCM	CX-SNSZ329
X	MICON	R 0708	88-108-102-080	0E	C-RES,U 1K-1/16W J	HASC2M	CX-NSZ309
X	MICON	R 0708	88-108-102-080	0E	C-RES,U 1K-1/16W J	LHSCM	CX-SNSZ329
X	MICON	R 0709	88-108-101-080	0E	C-RES,U 100-1/16W J	HASC2M	CX-NSZ309
X	MICON	R 0709	88-108-101-080	0E	C-RES,U 100-1/16W J	LHSCM	CX-SNSZ329
X	MICON	R 0710	88-121-101-080	0E	RES,100-1/8W J	HASC2M	CX-NSZ309
X	MICON	R 0710	88-121-101-080	0E	RES,100-1/8W J	LHSCM	CX-SNSZ329
X	MICON	R 0711	88-108-101-080	0E	C-RES,U 100-1/16W J	HASC2M	CX-NSZ309
X	MICON	R 0711	88-108-101-080	0E	C-RES,U 100-1/16W J	LHSCM	CX-SNSZ329
X	MICON	R 0712	88-128-101-080	0E	C-RES, 100-1/8W J	HASC2M	CX-NSZ309
X	MICON	R 0712	88-128-101-080	0E	C-RES, 100-1/8W J	LHSCM	CX-SNSZ329
X	MICON	R 0715	88-128-101-080	0E	C-RES, 100-1/8W J	HASC2M	CX-NSZ309
X	MICON	R 0715	88-128-101-080	0E	C-RES, 100-1/8W J	LHSCM	CX-SNSZ329
X	MICON	R 0716	88-108-472-080	0E	C-RES,U 4.7K-1/16W J	HASC2M	CX-NSZ309
X	MICON	R 0716	88-108-472-080	0E	C-RES,U 4.7K-1/16W J	LHSCM	CX-SNSZ329
X	MICON	R 0719	88-121-100-080	0E	RES,10-1/8W J	HASC2M	CX-NSZ309
X	MICON	R 0719	88-121-100-080	0E	RES,10-1/8W J	LHSCM	CX-SNSZ329
X	MICON	R 0721	88-128-101-080	0E	C-RES, 100-1/8W J	HASC2M	CX-NSZ309
X	MICON	R 0721	88-128-101-080	0E	C-RES, 100-1/8W J	LHSCM	CX-SNSZ329
X	MICON	R 0730	88-108-102-080	0E	C-RES,U 1K-1/16W J	HASC2M	CX-NSZ309
X	MICON	R 0730	88-108-102-080	0E	C-RES,U 1K-1/16W J	LHSCM	CX-SNSZ329
X	MICON	R 0732	88-108-101-080	0E	C-RES,U 100-1/16W J	HASC2M	CX-NSZ309
X	MICON	R 0732	88-108-101-080	0E	C-RES,U 100-1/16W J	LHSCM	CX-SNSZ329
X	MICON	R 0733	88-108-101-080	0E	C-RES,U 100-1/16W J	HASC2M	CX-NSZ309
X	MICON	R 0733	88-108-101-080	0E	C-RES,U 100-1/16W J	LHSCM	CX-SNSZ329

# PARTS LIST

! =  $\Delta$  SAFTY PARTS  
 C = Components marked

All components used on this model at the production line are shown in this service manual.

However, please note that not all components will be available as spare parts for after-sales service.

Components marked S and O are designated as spare parts for service and will be stocked at the spare parts centers.

Components marked X and R are not designated as spare parts for after sales service, and will not be stocked at the spare parts centers.

K NO. = Only use Japanese.

! C	UNIT NAME	REF NO.	PARTS CODE	K NO.	DESCRIPTION	SUFFIX	MODEL NAME
X	MICON	R 0734	88-121-102-080	0E	RES,1K-1/8W J	HASC2M	CX-NSZ309
X	MICON	R 0734	88-121-102-080	0E	RES,1K-1/8W J	LHSCM	CX-SNSZ329
X	MICON	R 0735	88-108-102-080	0E	C-RES,U 1K-1/16W J	HASC2M	CX-NSZ309
X	MICON	R 0735	88-108-102-080	0E	C-RES,U 1K-1/16W J	LHSCM	CX-SNSZ329
X	MICON	R 0740	88-108-102-080	0E	C-RES,U 1K-1/16W J	HASC2M	CX-NSZ309
X	MICON	R 0740	88-108-102-080	0E	C-RES,U 1K-1/16W J	LHSCM	CX-SNSZ329
X	MICON	R 0741	88-121-101-080	0E	RES,100-1/8W J	HASC2M	CX-NSZ309
X	MICON	R 0741	88-121-101-080	0E	RES,100-1/8W J	LHSCM	CX-SNSZ329
X	MICON	R 0742	88-108-102-080	0E	C-RES,U 1K-1/16W J	HASC2M	CX-NSZ309
X	MICON	R 0742	88-108-102-080	0E	C-RES,U 1K-1/16W J	LHSCM	CX-SNSZ329
X	MICON	R 0743	88-108-474-080	0E	C-RES,U 470K-1/16W J	HASC2M	CX-NSZ309
X	MICON	R 0743	88-108-474-080	0E	C-RES,U 470K-1/16W J	LHSCM	CX-SNSZ329
X	MICON	R 0744	88-108-823-080	0E	C-RES,U 82K-1/16W J	HASC2M	CX-NSZ309
X	MICON	R 0744	88-108-823-080	0E	C-RES,U 82K-1/16W J	LHSCM	CX-SNSZ329
X	MICON	R 0745	88-108-104-080	0E	C-RES,U 100K-1/16W J	HASC2M	CX-NSZ309
X	MICON	R 0745	88-108-104-080	0E	C-RES,U 100K-1/16W J	LHSCM	CX-SNSZ329
X	MICON	R 0749	88-108-474-080	0E	C-RES,U 470K-1/16W J	HASC2M	CX-NSZ309
X	MICON	R 0749	88-108-474-080	0E	C-RES,U 470K-1/16W J	LHSCM	CX-SNSZ329
X	MICON	R 0803	88-108-102-080	0E	C-RES,U 1K-1/16W J	HASC2M	CX-NSZ309
X	MICON	R 0803	88-108-102-080	0E	C-RES,U 1K-1/16W J	LHSCM	CX-SNSZ329
X	MICON	R 0804	88-108-224-080	0E	C-RES,U 220K-1/16W J	HASC2M	CX-NSZ309
X	MICON	R 0804	88-108-224-080	0E	C-RES,U 220K-1/16W J	LHSCM	CX-SNSZ329
X	MICON	R 0805	88-108-273-080	0E	C-RES,U 27K-1/16W J	HASC2M	CX-NSZ309
X	MICON	R 0805	88-108-273-080	0E	C-RES,U 27K-1/16W J	LHSCM	CX-SNSZ329
X	MICON	R 0806	88-108-562-080	0E	C-RES,U 5.6K-1/16W J	HASC2M	CX-NSZ309
X	MICON	R 0806	88-108-562-080	0E	C-RES,U 5.6K-1/16W J	LHSCM	CX-SNSZ329
X	MICON	R 0807	88-108-000-080	0E	C-JUMPER,U	HASC2M	CX-NSZ309
X	MICON	R 0807	88-108-000-080	0E	C-JUMPER,U	LHSCM	CX-SNSZ329
X	MICON	R 0808	88-128-101-080	0E	C-RES, 100-1/8W J	HASC2M	CX-NSZ309
X	MICON	R 0808	88-128-101-080	0E	C-RES, 100-1/8W J	LHSCM	CX-SNSZ329
X	MICON	R 0809	88-108-102-080	0E	C-RES,U 1K-1/16W J	HASC2M	CX-NSZ309
X	MICON	R 0809	88-108-102-080	0E	C-RES,U 1K-1/16W J	LHSCM	CX-SNSZ329
X	MICON	R 0810	88-108-272-080	0E	C-RES,U 2.7K-1/16W J	HASC2M	CX-NSZ309
X	MICON	R 0810	88-108-272-080	0E	C-RES,U 2.7K-1/16W J	LHSCM	CX-SNSZ329
X	MICON	R 0811	88-108-104-080	0E	C-RES,U 100K-1/16W J	HASC2M	CX-NSZ309
X	MICON	R 0811	88-108-104-080	0E	C-RES,U 100K-1/16W J	LHSCM	CX-SNSZ329
X	MICON	R 0813	88-108-223-080	0E	C-RES,U 22K-1/16W J	HASC2M	CX-NSZ309
X	MICON	R 0813	88-108-223-080	0E	C-RES,U 22K-1/16W J	LHSCM	CX-SNSZ329
X	MICON	R 0815	88-108-272-080	0E	C-RES,U 2.7K-1/16W J	HASC2M	CX-NSZ309
X	MICON	R 0815	88-108-272-080	0E	C-RES,U 2.7K-1/16W J	LHSCM	CX-SNSZ329
X	MICON	R 0816	88-108-104-080	0E	C-RES,U 100K-1/16W J	HASC2M	CX-NSZ309
X	MICON	R 0816	88-108-104-080	0E	C-RES,U 100K-1/16W J	LHSCM	CX-SNSZ329
X	MICON	R 0818	88-108-223-080	0E	C-RES,U 22K-1/16W J	HASC2M	CX-NSZ309
X	MICON	R 0818	88-108-223-080	0E	C-RES,U 22K-1/16W J	LHSCM	CX-SNSZ329
X	MICON	R 0819	88-108-272-080	0E	C-RES,U 2.7K-1/16W J	HASC2M	CX-NSZ309
X	MICON	R 0819	88-108-272-080	0E	C-RES,U 2.7K-1/16W J	LHSCM	CX-SNSZ329
X	MICON	R 0821	88-108-104-080	0E	C-RES,U 100K-1/16W J	HASC2M	CX-NSZ309
X	MICON	R 0821	88-108-104-080	0E	C-RES,U 100K-1/16W J	LHSCM	CX-SNSZ329
X	MICON	R 0822	88-108-223-080	0E	C-RES,U 22K-1/16W J	HASC2M	CX-NSZ309
X	MICON	R 0822	88-108-223-080	0E	C-RES,U 22K-1/16W J	LHSCM	CX-SNSZ329
X	MICON	R 0823	88-108-101-080	0E	C-RES,U 100-1/16W J	HASC2M	CX-NSZ309
X	MICON	R 0823	88-108-101-080	0E	C-RES,U 100-1/16W J	LHSCM	CX-SNSZ329
X	MICON	R 0824	88-108-101-080	0E	C-RES,U 100-1/16W J	HASC2M	CX-NSZ309
X	MICON	R 0824	88-108-101-080	0E	C-RES,U 100-1/16W J	LHSCM	CX-SNSZ329
X	MICON	R 0825	88-108-101-080	0E	C-RES,U 100-1/16W J	HASC2M	CX-NSZ309
X	MICON	R 0825	88-108-101-080	0E	C-RES,U 100-1/16W J	LHSCM	CX-SNSZ329
X	MICON	R 0826	88-108-000-080	0E	C-JUMPER,U	HASC2M	CX-NSZ309
X	MICON	R 0826	88-108-000-080	0E	C-JUMPER,U	LHSCM	CX-SNSZ329
X	MICON	R 0827	88-108-103-080	0E	C-RES,U 10K-1/16W J	HASC2M	CX-NSZ309
X	MICON	R 0827	88-108-103-080	0E	C-RES,U 10K-1/16W J	LHSCM	CX-SNSZ329
X	MICON	R 0901	88-108-104-080	0E	C-RES,U 100K-1/16W J	HASC2M	CX-NSZ309
X	MICON	R 0901	88-108-104-080	0E	C-RES,U 100K-1/16W J	LHSCM	CX-SNSZ329
X	MICON	R 0902	88-108-104-080	0E	C-RES,U 100K-1/16W J	HASC2M	CX-NSZ309
X	MICON	R 0902	88-108-104-080	0E	C-RES,U 100K-1/16W J	LHSCM	CX-SNSZ329
X	MICON	R 0903	88-108-104-080	0E	C-RES,U 100K-1/16W J	HASC2M	CX-NSZ309
X	MICON	R 0903	88-108-104-080	0E	C-RES,U 100K-1/16W J	LHSCM	CX-SNSZ329
X	MICON	R 0904	88-108-104-080	0E	C-RES,U 100K-1/16W J	HASC2M	CX-NSZ309
X	MICON	R 0904	88-108-104-080	0E	C-RES,U 100K-1/16W J	LHSCM	CX-SNSZ329
X	MICON	R 0905	88-108-104-080	0E	C-RES,U 100K-1/16W J	HASC2M	CX-NSZ309
X	MICON	R 0905	88-108-104-080	0E	C-RES,U 100K-1/16W J	LHSCM	CX-SNSZ329

# PARTS LIST

! =  $\Delta$  SAFTY PARTS  
 C = Components marked

All components used on this model at the production line are shown in this service manual.

However, please note that not all components will be available as spare parts for after-sales service.

Components marked S and O are designated as spare parts for service and will be stocked at the spare parts centers.

Components marked X and R are not designated as spare parts for after sales service, and will not be stocked at the spare parts centers.

K NO. = Only use Japanese.

! C	UNIT NAME	REF NO.	PARTS CODE	K NO.	DESCRIPTION	SUFFIX	MODEL NAME
X	MICON	R 0906	88-108-104-080	0E	C-RES,U 100K-1/16W J	HASC2M	CX-NSZ309
X	MICON	R 0906	88-108-104-080	0E	C-RES,U 100K-1/16W J	LHSCM	CX-SNSZ329
X	MICON	R 0907	88-108-104-080	0E	C-RES,U 100K-1/16W J	HASC2M	CX-NSZ309
X	MICON	R 0907	88-108-104-080	0E	C-RES,U 100K-1/16W J	LHSCM	CX-SNSZ329
X	MICON	R 0908	88-108-104-080	0E	C-RES,U 100K-1/16W J	HASC2M	CX-NSZ309
X	MICON	R 0908	88-108-104-080	0E	C-RES,U 100K-1/16W J	LHSCM	CX-SNSZ329
X	MICON	R 0909	88-108-104-080	0E	C-RES,U 100K-1/16W J	HASC2M	CX-NSZ309
X	MICON	R 0909	88-108-104-080	0E	C-RES,U 100K-1/16W J	LHSCM	CX-SNSZ329
X	MICON	R 0910	88-108-104-080	0E	C-RES,U 100K-1/16W J	HASC2M	CX-NSZ309
X	MICON	R 0910	88-108-104-080	0E	C-RES,U 100K-1/16W J	LHSCM	CX-SNSZ329
X	MICON	R 0911	88-108-104-080	0E	C-RES,U 100K-1/16W J	HASC2M	CX-NSZ309
X	MICON	R 0911	88-108-104-080	0E	C-RES,U 100K-1/16W J	LHSCM	CX-SNSZ329
X	MICON	R 0912	88-108-104-080	0E	C-RES,U 100K-1/16W J	HASC2M	CX-NSZ309
X	MICON	R 0912	88-108-104-080	0E	C-RES,U 100K-1/16W J	LHSCM	CX-SNSZ329
X	MICON	R 0913	88-108-104-080	0E	C-RES,U 100K-1/16W J	HASC2M	CX-NSZ309
X	MICON	R 0913	88-108-104-080	0E	C-RES,U 100K-1/16W J	LHSCM	CX-SNSZ329
X	MICON	R 0914	88-108-104-080	0E	C-RES,U 100K-1/16W J	HASC2M	CX-NSZ309
X	MICON	R 0914	88-108-104-080	0E	C-RES,U 100K-1/16W J	LHSCM	CX-SNSZ329
X	MICON	R 0915	88-108-104-080	0E	C-RES,U 100K-1/16W J	HASC2M	CX-NSZ309
X	MICON	R 0915	88-108-104-080	0E	C-RES,U 100K-1/16W J	LHSCM	CX-SNSZ329
X	MICON	R 0916	88-108-104-080	0E	C-RES,U 100K-1/16W J	HASC2M	CX-NSZ309
X	MICON	R 0916	88-108-104-080	0E	C-RES,U 100K-1/16W J	LHSCM	CX-SNSZ329
X	MICON	R 0917	88-108-104-080	0E	C-RES,U 100K-1/16W J	HASC2M	CX-NSZ309
X	MICON	R 0917	88-108-104-080	0E	C-RES,U 100K-1/16W J	LHSCM	CX-SNSZ329
X	MICON	R 0918	88-108-104-080	0E	C-RES,U 100K-1/16W J	HASC2M	CX-NSZ309
X	MICON	R 0918	88-108-104-080	0E	C-RES,U 100K-1/16W J	LHSCM	CX-SNSZ329
X	MICON	R 0919	88-108-104-080	0E	C-RES,U 100K-1/16W J	HASC2M	CX-NSZ309
X	MICON	R 0919	88-108-104-080	0E	C-RES,U 100K-1/16W J	LHSCM	CX-SNSZ329
X	MICON	R 0920	88-108-104-080	0E	C-RES,U 100K-1/16W J	HASC2M	CX-NSZ309
X	MICON	R 0920	88-108-104-080	0E	C-RES,U 100K-1/16W J	LHSCM	CX-SNSZ329
X	MICON	R 0921	88-108-104-080	0E	C-RES,U 100K-1/16W J	HASC2M	CX-NSZ309
X	MICON	R 0921	88-108-104-080	0E	C-RES,U 100K-1/16W J	LHSCM	CX-SNSZ329
X	MICON	R 0922	88-108-104-080	0E	C-RES,U 100K-1/16W J	HASC2M	CX-NSZ309
X	MICON	R 0922	88-108-104-080	0E	C-RES,U 100K-1/16W J	LHSCM	CX-SNSZ329
X	MICON	R 0923	88-108-104-080	0E	C-RES,U 100K-1/16W J	HASC2M	CX-NSZ309
X	MICON	R 0923	88-108-104-080	0E	C-RES,U 100K-1/16W J	LHSCM	CX-SNSZ329
X	MICON	R 0924	88-108-104-080	0E	C-RES,U 100K-1/16W J	HASC2M	CX-NSZ309
X	MICON	R 0924	88-108-104-080	0E	C-RES,U 100K-1/16W J	LHSCM	CX-SNSZ329
X	MICON	R 0925	88-108-104-080	0E	C-RES,U 100K-1/16W J	HASC2M	CX-NSZ309
X	MICON	R 0925	88-108-104-080	0E	C-RES,U 100K-1/16W J	LHSCM	CX-SNSZ329
X	MICON	R 0926	88-108-104-080	0E	C-RES,U 100K-1/16W J	HASC2M	CX-NSZ309
X	MICON	R 0926	88-108-104-080	0E	C-RES,U 100K-1/16W J	LHSCM	CX-SNSZ329
X	MICON	R 0927	88-108-104-080	0E	C-RES,U 100K-1/16W J	HASC2M	CX-NSZ309
X	MICON	R 0927	88-108-104-080	0E	C-RES,U 100K-1/16W J	LHSCM	CX-SNSZ329
X	MICON	R 0928	88-108-104-080	0E	C-RES,U 100K-1/16W J	HASC2M	CX-NSZ309
X	MICON	R 0928	88-108-104-080	0E	C-RES,U 100K-1/16W J	LHSCM	CX-SNSZ329
X	MICON	R 0929	88-108-104-080	0E	C-RES,U 100K-1/16W J	HASC2M	CX-NSZ309
X	MICON	R 0929	88-108-104-080	0E	C-RES,U 100K-1/16W J	LHSCM	CX-SNSZ329
X	MICON	R 0930	88-108-104-080	0E	C-RES,U 100K-1/16W J	HASC2M	CX-NSZ309
X	MICON	R 0930	88-108-104-080	0E	C-RES,U 100K-1/16W J	LHSCM	CX-SNSZ329
X	MICON	R 0931	88-108-104-080	0E	C-RES,U 100K-1/16W J	HASC2M	CX-NSZ309
X	MICON	R 0931	88-108-104-080	0E	C-RES,U 100K-1/16W J	LHSCM	CX-SNSZ329
X	MICON	R 0932	88-108-104-080	0E	C-RES,U 100K-1/16W J	HASC2M	CX-NSZ309
X	MICON	R 0932	88-108-104-080	0E	C-RES,U 100K-1/16W J	LHSCM	CX-SNSZ329
X	MICON	R 0933	88-108-104-080	0E	C-RES,U 100K-1/16W J	HASC2M	CX-NSZ309
X	MICON	R 0933	88-108-104-080	0E	C-RES,U 100K-1/16W J	LHSCM	CX-SNSZ329
X	MICON	R 0934	88-108-683-080	0E	C-RES,U 68K-1/16W J	HASC2M	CX-NSZ309
X	MICON	R 0934	88-108-683-080	0E	C-RES,U 68K-1/16W J	LHSCM	CX-SNSZ329
X	MICON	R 0935	88-108-683-080	0E	C-RES,U 68K-1/16W J	HASC2M	CX-NSZ309
X	MICON	R 0935	88-108-683-080	0E	C-RES,U 68K-1/16W J	LHSCM	CX-SNSZ329
X	MICON	R 0936	88-108-104-080	0E	C-RES,U 100K-1/16W J	HASC2M	CX-NSZ309
X	MICON	R 0936	88-108-104-080	0E	C-RES,U 100K-1/16W J	LHSCM	CX-SNSZ329
X	MICON	R 0937	88-128-472-080	0E	C-RES, 4.7K-1/8W J	HASC2M	CX-NSZ309
X	MICON	R 0937	88-128-472-080	0E	C-RES, 4.7K-1/8W J	LHSCM	CX-SNSZ329
X	MICON	R 0938	88-108-472-080	0E	C-RES,U 4.7K-1/16W J	HASC2M	CX-NSZ309
X	MICON	R 0938	88-108-472-080	0E	C-RES,U 4.7K-1/16W J	LHSCM	CX-SNSZ329
X	MICON	R 0939	88-108-472-080	0E	C-RES,U 4.7K-1/16W J	HASC2M	CX-NSZ309
X	MICON	R 0939	88-108-472-080	0E	C-RES,U 4.7K-1/16W J	LHSCM	CX-SNSZ329
X	MICON	R 0940	88-121-104-080	0E	RES,100K-1/8W J	HASC2M	CX-NSZ309
X	MICON	R 0940	88-121-104-080	0E	RES,100K-1/8W J	LHSCM	CX-SNSZ329

# PARTS LIST

! =  $\Delta$  SAFTY PARTS  
 C = Components marked

All components used on this model at the production line are shown in this service manual.

However, please note that not all components will be available as spare parts for after-sales service.

Components marked S and O are designated as spare parts for service and will be stocked at the spare parts centers.

Components marked X and R are not designated as spare parts for after sales service, and will not be stocked at the spare parts centers.

K NO. = Only use Japanese.

! C	UNIT NAME	REF NO.	PARTS CODE	K NO.	DESCRIPTION	SUFFIX	MODEL NAME
X	MICON	R 0941	88-108-104-080	0E	C-RES,U 100K-1/16W J	HASC2M	CX-NSZ309
X	MICON	R 0941	88-108-104-080	0E	C-RES,U 100K-1/16W J	LHSCM	CX-SNSZ329
X	MICON	R 0942	88-108-103-080	0E	C-RES,U 10K-1/16W J	HASC2M	CX-NSZ309
X	MICON	R 0942	88-108-103-080	0E	C-RES,U 10K-1/16W J	LHSCM	CX-SNSZ329
X	MICON	R 0943	88-108-103-080	0E	C-RES,U 10K-1/16W J	HASC2M	CX-NSZ309
X	MICON	R 0943	88-108-103-080	0E	C-RES,U 10K-1/16W J	LHSCM	CX-SNSZ329
X	MICON	R 0946	88-108-000-080	0E	C-JUMPER,U	HASC2M	CX-NSZ309
X	MICON	R 0946	88-108-000-080	0E	C-JUMPER,U	LHSCM	CX-SNSZ329
X	MICON	R 0947	88-108-104-080	0E	C-RES,U 100K-1/16W J	HASC2M	CX-NSZ309
X	MICON	R 0947	88-108-104-080	0E	C-RES,U 100K-1/16W J	LHSCM	CX-SNSZ329
X	MICON	R 0948	88-108-104-080	0E	C-RES,U 100K-1/16W J	HASC2M	CX-NSZ309
X	MICON	R 0948	88-108-104-080	0E	C-RES,U 100K-1/16W J	LHSCM	CX-SNSZ329
X	MICON	R 0951	88-108-102-080	0E	C-RES,U 1K-1/16W J	HASC2M	CX-NSZ309
X	MICON	R 0951	88-108-102-080	0E	C-RES,U 1K-1/16W J	LHSCM	CX-SNSZ329
X	MICON	R 0955	88-108-104-080	0E	C-RES,U 100K-1/16W J	HASC2M	CX-NSZ309
X	MICON	R 0955	88-108-104-080	0E	C-RES,U 100K-1/16W J	LHSCM	CX-SNSZ329
X	MICON	R 0956	88-108-104-080	0E	C-RES,U 100K-1/16W J	HASC2M	CX-NSZ309
X	MICON	R 0956	88-108-104-080	0E	C-RES,U 100K-1/16W J	LHSCM	CX-SNSZ329
X	MICON	R 0957	88-108-104-080	0E	C-RES,U 100K-1/16W J	HASC2M	CX-NSZ309
X	MICON	R 0957	88-108-104-080	0E	C-RES,U 100K-1/16W J	LHSCM	CX-SNSZ329
X	MICON	R 0958	88-108-104-080	0E	C-RES,U 100K-1/16W J	HASC2M	CX-NSZ309
X	MICON	R 0958	88-108-104-080	0E	C-RES,U 100K-1/16W J	LHSCM	CX-SNSZ329
X	MICON	R 0961	88-128-181-080	0E	C-RES, 180-1/8W J	HASC2M	CX-NSZ309
X	MICON	R 0961	88-128-181-080	0E	C-RES, 180-1/8W J	LHSCM	CX-SNSZ329
X	MICON	R 0962	88-108-563-080	0E	C-RES,U 56K-1/16W J	HASC2M	CX-NSZ309
X	MICON	R 0962	88-108-563-080	0E	C-RES,U 56K-1/16W J	LHSCM	CX-SNSZ329
O	MICON	S 0321	87-A90-164-080	0E	SW,TACT SKQNAB(N)	HASC2M	CX-NSZ309
O	MICON	S 0321	87-A90-164-080	0E	SW,TACT SKQNAB(N)	LHSCM	CX-SNSZ329
O	MICON	S 0322	87-A90-164-080	0E	SW,TACT SKQNAB(N)	HASC2M	CX-NSZ309
O	MICON	S 0322	87-A90-164-080	0E	SW,TACT SKQNAB(N)	LHSCM	CX-SNSZ329
O	MICON	S 0323	87-A90-164-080	0E	SW,TACT SKQNAB(N)	HASC2M	CX-NSZ309
O	MICON	S 0323	87-A90-164-080	0E	SW,TACT SKQNAB(N)	LHSCM	CX-SNSZ329
O	MICON	S 0324	87-A90-164-080	0E	SW,TACT SKQNAB(N)	HASC2M	CX-NSZ309
O	MICON	S 0324	87-A90-164-080	0E	SW,TACT SKQNAB(N)	LHSCM	CX-SNSZ329
O	MICON	S 0325	87-A90-164-080	0E	SW,TACT SKQNAB(N)	HASC2M	CX-NSZ309
O	MICON	S 0325	87-A90-164-080	0E	SW,TACT SKQNAB(N)	LHSCM	CX-SNSZ329
O	MICON	S 0326	87-A90-164-080	0E	SW,TACT SKQNAB(N)	HASC2M	CX-NSZ309
O	MICON	S 0326	87-A90-164-080	0E	SW,TACT SKQNAB(N)	LHSCM	CX-SNSZ329
O	MICON	S 0327	87-A90-095-080	0E	SW,TACT EVQ11G04M	HASC2M	CX-NSZ309
O	MICON	S 0327	87-A90-095-080	0E	SW,TACT EVQ11G04M	LHSCM	CX-SNSZ329
O	MICON	S 0328	87-A90-095-080	0E	SW,TACT EVQ11G04M	HASC2M	CX-NSZ309
O	MICON	S 0328	87-A90-095-080	0E	SW,TACT EVQ11G04M	LHSCM	CX-SNSZ329
O	MICON	S 0329	87-A90-095-080	0E	SW,TACT EVQ11G04M	HASC2M	CX-NSZ309
O	MICON	S 0329	87-A90-095-080	0E	SW,TACT EVQ11G04M	LHSCM	CX-SNSZ329
O	MICON	S 0330	87-A90-164-080	0E	SW,TACT SKQNAB(N)	HASC2M	CX-NSZ309
O	MICON	S 0330	87-A90-164-080	0E	SW,TACT SKQNAB(N)	LHSCM	CX-SNSZ329
O	MICON	S 0331	87-A90-164-080	0E	SW,TACT SKQNAB(N)	HASC2M	CX-NSZ309
O	MICON	S 0331	87-A90-164-080	0E	SW,TACT SKQNAB(N)	LHSCM	CX-SNSZ329
O	MICON	S 0332	87-A90-164-080	0E	SW,TACT SKQNAB(N)	HASC2M	CX-NSZ309
O	MICON	S 0332	87-A90-164-080	0E	SW,TACT SKQNAB(N)	LHSCM	CX-SNSZ329
O	MICON	S 0333	87-A90-164-080	0E	SW,TACT SKQNAB(N)	HASC2M	CX-NSZ309
O	MICON	S 0333	87-A90-164-080	0E	SW,TACT SKQNAB(N)	LHSCM	CX-SNSZ329
O	MICON	S 0334	87-A90-164-080	0E	SW,TACT SKQNAB(N)	HASC2M	CX-NSZ309
O	MICON	S 0334	87-A90-164-080	0E	SW,TACT SKQNAB(N)	LHSCM	CX-SNSZ329
O	MICON	S 0341	87-A90-164-080	0E	SW,TACT SKQNAB(N)	HASC2M	CX-NSZ309
O	MICON	S 0341	87-A90-164-080	0E	SW,TACT SKQNAB(N)	LHSCM	CX-SNSZ329
O	MICON	S 0342	87-A90-164-080	0E	SW,TACT SKQNAB(N)	HASC2M	CX-NSZ309
O	MICON	S 0342	87-A90-164-080	0E	SW,TACT SKQNAB(N)	LHSCM	CX-SNSZ329
O	MICON	S 0343	87-A90-164-080	0E	SW,TACT SKQNAB(N)	HASC2M	CX-NSZ309
O	MICON	S 0343	87-A90-164-080	0E	SW,TACT SKQNAB(N)	LHSCM	CX-SNSZ329
O	MICON	S 0344	87-A90-164-080	0E	SW,TACT SKQNAB(N)	HASC2M	CX-NSZ309
O	MICON	S 0344	87-A90-164-080	0E	SW,TACT SKQNAB(N)	LHSCM	CX-SNSZ329
O	MICON	S 0345	87-A90-164-080	0E	SW,TACT SKQNAB(N)	HASC2M	CX-NSZ309
O	MICON	S 0345	87-A90-164-080	0E	SW,TACT SKQNAB(N)	LHSCM	CX-SNSZ329
O	MICON	S 0346	87-A90-164-080	0E	SW,TACT SKQNAB(N)	HASC2M	CX-NSZ309
O	MICON	S 0346	87-A90-164-080	0E	SW,TACT SKQNAB(N)	LHSCM	CX-SNSZ329
O	MICON	S 0347	87-A90-164-080	0E	SW,TACT SKQNAB(N)	HASC2M	CX-NSZ309
O	MICON	S 0347	87-A90-164-080	0E	SW,TACT SKQNAB(N)	LHSCM	CX-SNSZ329
O	MICON	S 0348	87-A90-164-080	0E	SW,TACT SKQNAB(N)	HASC2M	CX-NSZ309
O	MICON	S 0348	87-A90-164-080	0E	SW,TACT SKQNAB(N)	LHSCM	CX-SNSZ329

# PARTS LIST

! =  $\Delta$  SAFTY PARTS  
 C = Components marked

All components used on this model at the production line are shown in this service manual.

However, please note that not all components will be available as spare parts for after-sales service.

Components marked S and O are designated as spare parts for service and will be stocked at the spare parts centers.

Components marked X and R are not designated as spare parts for after sales service, and will not be stocked at the spare parts centers.

K NO. = Only use Japanese.

! C	UNIT NAME	REF NO.	PARTS CODE	K NO.	DESCRIPTION	SUFFIX	MODEL NAME
O	MICON	S 0349	87-A90-164-080	0E	SW, TACT SKQNAB(N)	HASC2M	CX-NSZ309
O	MICON	S 0349	87-A90-164-080	0E	SW, TACT SKQNAB(N)	LHSCM	CX-SNSZ329
O	MICON	S 0361	87-A92-041-010	1A	SW, RTRY XRE012103PVB30F-24	HASC2M	CX-NSZ309
O	MICON	S 0361	87-A92-041-010	1A	SW, RTRY XRE012103PVB30F-24	LHSCM	CX-SNSZ329
O	MICON	S 0371	87-A92-040-010	1A	SW, RTRY XRE012103PVB30F-12	HASC2M	CX-NSZ309
O	MICON	S 0371	87-A92-040-010	1A	SW, RTRY XRE012103PVB30F-12	LHSCM	CX-SNSZ329
X	MICON LOCAL	D 0702	88-100-000-010	0E	PLATING-JW, 0.58 SN95	HASC2M	CX-NSZ309
X	MICON LOCAL	D 0703	88-100-000-010	0E	PLATING-JW, 0.58 SN95	HASC2M	CX-NSZ309
X	MICON LOCAL	R 0151	88-100-000-010	0E	PLATING-JW, 0.58 SN95	HASC2M	CX-NSZ309
X	MICON LOCAL	R 0152	88-100-000-010	0E	PLATING-JW, 0.58 SN95	HASC2M	CX-NSZ309
!	O OTHERS		82-NF5-229-010	0E	PLATE, LOCK (*)	HASC2M	CX-NSZ309
!	O OTHERS		82-NF5-229-010	0E	PLATE, LOCK (*)	LHSCM	CX-SNSZ329
O	OTHERS		86-NF9-224-010	0E	SPR-C, LOCK	HASC2M	CX-NSZ309
O	OTHERS		86-NF9-224-010	0E	SPR-C, LOCK	LHSCM	CX-SNSZ329
X	OTHERS		87-064-080-010	0E	BINDER, WIRE	HASC2M	CX-NSZ309
X	OTHERS		87-064-080-010	0E	BINDER, WIRE	LHSCM	CX-SNSZ329
!	O OTHERS		87-NF4-216-010	0E	HLDR, LOCK 1	HASC2M	CX-NSZ309
!	O OTHERS		87-NF4-216-010	0E	HLDR, LOCK 1	LHSCM	CX-SNSZ329
!	O OTHERS		87-NF4-217-110	0E	HLDR, LOCK 2	HASC2M	CX-NSZ309
!	O OTHERS		87-NF4-217-110	0E	HLDR, LOCK 2	LHSCM	CX-SNSZ329
!	O OTHERS		87-NF4-221-010	0E	HLDR, CABLE	HASC2M	CX-NSZ309
!	O OTHERS		87-NF4-221-010	0E	HLDR, CABLE	LHSCM	CX-SNSZ329
X	OTHERS		88-NF8-202-010	1A	HT-SINK, FIN	HASC2M	CX-NSZ309
X	OTHERS		88-NF8-202-010	1A	HT-SINK, FIN	LHSCM	CX-SNSZ329
!	O OTHERS		8A-NF8-206-010	0E	HLDR, PWB M	HASC2M	CX-NSZ309
!	O OTHERS		8A-NF8-206-010	0E	HLDR, PWB M	LHSCM	CX-SNSZ329
O	OTHERS		8A-NF8-281-010	0E	SPR-T, EJECT 1	HASC2M	CX-NSZ309
O	OTHERS		8A-NF8-281-010	0E	SPR-T, EJECT 1	LHSCM	CX-SNSZ329
O	OTHERS		8A-NF8-282-010	0E	SPR-T, EJECT 2	HASC2M	CX-NSZ309
O	OTHERS		8A-NF8-282-010	0E	SPR-T, EJECT 2	LHSCM	CX-SNSZ329
!	O OTHERS		8A-NF9-211-010	0E	HLDR, PWB PT HI	HASC2M	CX-NSZ309
!	O OTHERS		8A-NF9-211-010	0E	HLDR, PWB PT HI	LHSCM	CX-SNSZ329
X	OTHERS		8A-NF9-225-010	0E	SH, PT 20-16-1 W/ADH	HASC2M	CX-NSZ309
X	OTHERS		8A-NF9-225-010	0E	SH, PT 20-16-1 W/ADH	LHSCM	CX-SNSZ329
X	OTHERS		8B-NF9-204-010	0E	CUSH, 11-8.5-2	HASC2M	CX-NSZ309
X	OTHERS		8B-NF9-204-010	0E	CUSH, 11-8.5-2	LHSCM	CX-SNSZ329
O	OTHERS		8B-NF9-211-110	1	HLDR, TR S	HASC2M	CX-NSZ309
O	OTHERS		8B-NF9-211-110	1B	HLDR, TR S	LHSCM	CX-SNSZ329
X	OTHERS		8B-NF9-212-010	1H	HT-SINK, ASSY S	HASC2M	CX-NSZ309
X	OTHERS		8B-NF9-212-010	1H	HT-SINK, ASSY S	LHSCM	CX-SNSZ329
X	OTHERS		8B-NF9-213-010	--	HT-SINK, MAIN100 S	HASC2M	CX-NSZ309
X	OTHERS		8B-NF9-213-010	--	HT-SINK, MAIN100 S	LHSCM	CX-SNSZ329
X	OTHERS		8B-NFK-210-010	0E	SH, TR VM	HASC2M	CX-NSZ309
X	OTHERS		8B-NFK-210-010	0E	SH, TR VM	LHSCM	CX-SNSZ329
X	OTHERS		8Z-NB8-212-010	0E	PLATE, EARTH MECH	HASC2M	CX-NSZ309
X	OTHERS		8Z-NB8-212-010	0E	PLATE, EARTH MECH	LHSCM	CX-SNSZ329
!	O OTHERS		8Z-NF6-210-010	0E	DMPR, 150 N	HASC2M	CX-NSZ309
!	O OTHERS		8Z-NF6-210-010	0E	DMPR, 150 N	LHSCM	CX-SNSZ329
X	P-SUPPLY/PWB/FAN	*	8B-NF9-670-110	1E	PWB, COMB MAIN -M'SIA	HASC2M	CX-NSZ309
X	P-SUPPLY/PWB/FAN	*	8B-NF9-670-110	1E	PWB, COMB MAIN -M'SIA	LHSCM	CX-SNSZ329
X	P-SUPPLY/PWB/FAN	*	8B-NF9-671-110	--	PWB, MAIN-M'SIA	HASC2M	CX-NSZ309
X	P-SUPPLY/PWB/FAN	*	8B-NF9-671-110	--	PWB, MAIN-M'SIA	LHSCM	CX-SNSZ329
O	P-SUPPLY/PWB/FAN	C 0003	87-012-368-080	0E	C-CAP, S 0.1-50 Z F	HASC2M	CX-NSZ309
O	P-SUPPLY/PWB/FAN	C 0003	87-012-368-080	0E	C-CAP, S 0.1-50 Z F	LHSCM	CX-SNSZ329
O	P-SUPPLY/PWB/FAN	C 0004	87-012-368-080	0E	C-CAP, S 0.1-50 Z F	HASC2M	CX-NSZ309
O	P-SUPPLY/PWB/FAN	C 0004	87-012-368-080	0E	C-CAP, S 0.1-50 Z F	LHSCM	CX-SNSZ329
O	P-SUPPLY/PWB/FAN	C 0005	87-012-368-080	0E	C-CAP, S 0.1-50 Z F	HASC2M	CX-NSZ309
O	P-SUPPLY/PWB/FAN	C 0005	87-012-368-080	0E	C-CAP, S 0.1-50 Z F	LHSCM	CX-SNSZ329
O	P-SUPPLY/PWB/FAN	C 0006	87-012-368-080	0E	C-CAP, S 0.1-50 Z F	HASC2M	CX-NSZ309
O	P-SUPPLY/PWB/FAN	C 0006	87-012-368-080	0E	C-CAP, S 0.1-50 Z F	LHSCM	CX-SNSZ329
O	P-SUPPLY/PWB/FAN	C 0009	87-010-759-080	0E	C-CAP, U 0.1-25 Z F	HASC2M	CX-NSZ309
O	P-SUPPLY/PWB/FAN	C 0009	87-010-759-080	0E	C-CAP, U 0.1-25 Z F	LHSCM	CX-SNSZ329
O	P-SUPPLY/PWB/FAN	C 0010	87-010-759-080	0E	C-CAP, U 0.1-25 Z F	HASC2M	CX-NSZ309
O	P-SUPPLY/PWB/FAN	C 0010	87-010-759-080	0E	C-CAP, U 0.1-25 Z F	LHSCM	CX-SNSZ329
O	P-SUPPLY/PWB/FAN	C 0011	87-010-759-080	0E	C-CAP, U 0.1-25 Z F	HASC2M	CX-NSZ309
O	P-SUPPLY/PWB/FAN	C 0011	87-010-759-080	0E	C-CAP, U 0.1-25 Z F	LHSCM	CX-SNSZ329
O	P-SUPPLY/PWB/FAN	C 0012	87-010-759-080	0E	C-CAP, U 0.1-25 Z F	HASC2M	CX-NSZ309
O	P-SUPPLY/PWB/FAN	C 0012	87-010-759-080	0E	C-CAP, U 0.1-25 Z F	LHSCM	CX-SNSZ329
O	P-SUPPLY/PWB/FAN	C 0019	87-A12-036-000	1C	CAP, E 2200-63 M SMG	HASC2M	CX-NSZ309
O	P-SUPPLY/PWB/FAN	C 0019	87-A12-036-000	1C	CAP, E 2200-63 M SMG	LHSCM	CX-SNSZ329

# PARTS LIST

! =  $\Delta$  SAFTY PARTS  
 C = Components marked

All components used on this model at the production line are shown in this service manual.

However, please note that not all components will be available as spare parts for after-sales service.

Components marked S and O are designated as spare parts for service and will be stocked at the spare parts centers.

Components marked X and R are not designated as spare parts for after sales service, and will not be stocked at the spare parts centers.

K NO. = Only use Japanese.

! C	UNIT NAME	REF NO.	PARTS CODE	K NO.	DESCRIPTION	SUFFIX	MODEL NAME
O	P-SUPPLY/PWB/FAN	C 0020	87-A12-036-000	1C	CAP,E 2200-63 M SMG	HASC2M	CX-NSZ309
O	P-SUPPLY/PWB/FAN	C 0020	87-A12-036-000	1C	CAP,E 2200-63 M SMG	LHSCM	CX-SNSZ329
O	P-SUPPLY/PWB/FAN	C 0021	87-A12-777-090	1A	CAP,E 3300-25 M 85 SKR	HASC2M	CX-NSZ309
O	P-SUPPLY/PWB/FAN	C 0021	87-A12-777-090	1A	CAP,E 3300-25 M 85 SKR	LHSCM	CX-SNSZ329
O	P-SUPPLY/PWB/FAN	C 0022	87-A12-777-090	1A	CAP,E 3300-25 M 85 SKR	HASC2M	CX-NSZ309
O	P-SUPPLY/PWB/FAN	C 0022	87-A12-777-090	1A	CAP,E 3300-25 M 85 SKR	LHSCM	CX-SNSZ329
O	P-SUPPLY/PWB/FAN	C 0025	87-A12-072-080	0E	CAP,E 100-25 SMG	HASC2M	CX-NSZ309
O	P-SUPPLY/PWB/FAN	C 0025	87-A12-072-080	0E	CAP,E 100-25 SMG	LHSCM	CX-SNSZ329
O	P-SUPPLY/PWB/FAN	C 0026	87-A12-072-080	0E	CAP,E 100-25 SMG	HASC2M	CX-NSZ309
O	P-SUPPLY/PWB/FAN	C 0026	87-A12-072-080	0E	CAP,E 100-25 SMG	LHSCM	CX-SNSZ329
O	P-SUPPLY/PWB/FAN	C 0027	87-A12-072-080	0E	CAP,E 100-25 SMG	HASC2M	CX-NSZ309
O	P-SUPPLY/PWB/FAN	C 0027	87-A12-072-080	0E	CAP,E 100-25 SMG	LHSCM	CX-SNSZ329
O	P-SUPPLY/PWB/FAN	C 0028	87-A12-072-080	0E	CAP,E 100-25 SMG	HASC2M	CX-NSZ309
O	P-SUPPLY/PWB/FAN	C 0028	87-A12-072-080	0E	CAP,E 100-25 SMG	LHSCM	CX-SNSZ329
O	P-SUPPLY/PWB/FAN	C 0030	87-A12-095-080	0E	CAP,E 100-50 SMG	HASC2M	CX-NSZ309
O	P-SUPPLY/PWB/FAN	C 0030	87-A12-095-080	0E	CAP,E 100-50 SMG	LHSCM	CX-SNSZ329
O	P-SUPPLY/PWB/FAN	C 0031	87-A12-062-080	0E	CAP,E 100-10 SMG	HASC2M	CX-NSZ309
O	P-SUPPLY/PWB/FAN	C 0031	87-A12-062-080	0E	CAP,E 100-10 SMG	LHSCM	CX-SNSZ329
O	P-SUPPLY/PWB/FAN	C 0032	87-012-286-080	0E	C-CAP,U 0.01-25 K B	HASC2M	CX-NSZ309
O	P-SUPPLY/PWB/FAN	C 0032	87-012-286-080	0E	C-CAP,U 0.01-25 K B	LHSCM	CX-SNSZ329
O	P-SUPPLY/PWB/FAN	C 0034	87-A12-072-080	0E	CAP,E 100-25 SMG	HASC2M	CX-NSZ309
O	P-SUPPLY/PWB/FAN	C 0034	87-A12-072-080	0E	CAP,E 100-25 SMG	LHSCM	CX-SNSZ329
O	P-SUPPLY/PWB/FAN	C 0035	87-A12-071-080	0E	CAP,E 47-25 SMG	HASC2M	CX-NSZ309
O	P-SUPPLY/PWB/FAN	C 0035	87-A12-071-080	0E	CAP,E 47-25 SMG	LHSCM	CX-SNSZ329
O	P-SUPPLY/PWB/FAN	C 0036	87-A12-067-080	0E	CAP,E 330-16 SMG	HASC2M	CX-NSZ309
O	P-SUPPLY/PWB/FAN	C 0036	87-A12-067-080	0E	CAP,E 330-16 SMG	LHSCM	CX-SNSZ329
O	P-SUPPLY/PWB/FAN	C 0038	87-012-286-080	0E	C-CAP,U 0.01-25 K B	HASC2M	CX-NSZ309
O	P-SUPPLY/PWB/FAN	C 0038	87-012-286-080	0E	C-CAP,U 0.01-25 K B	LHSCM	CX-SNSZ329
O	P-SUPPLY/PWB/FAN	C 0060	87-A12-089-080	0E	CAP,E 3.3-50 SMG	HASC2M	CX-NSZ309
O	P-SUPPLY/PWB/FAN	C 0060	87-A12-089-080	0E	CAP,E 3.3-50 SMG	LHSCM	CX-SNSZ329
O	P-SUPPLY/PWB/FAN	C 0061	87-A12-071-080	0E	CAP,E 47-25 SMG	HASC2M	CX-NSZ309
O	P-SUPPLY/PWB/FAN	C 0061	87-A12-071-080	0E	CAP,E 47-25 SMG	LHSCM	CX-SNSZ329
O	P-SUPPLY/PWB/FAN	C 0083	87-A12-074-080	0E	CAP,E 470-25 SMG	HASC2M	CX-NSZ309
O	P-SUPPLY/PWB/FAN	C 0083	87-A12-074-080	0E	CAP,E 470-25 SMG	LHSCM	CX-SNSZ329
O	P-SUPPLY/PWB/FAN	C 0097	87-010-831-080	0E	C-CAP,U 0.1-16 Z F	HASC2M	CX-NSZ309
O	P-SUPPLY/PWB/FAN	C 0097	87-010-831-080	0E	C-CAP,U 0.1-16 Z F	LHSCM	CX-SNSZ329
!	O P-SUPPLY/PWB/FAN	CNA0001	8A-NF8-653-010	1B	CONN ASSY, 9P TID-A(480)	HASC2M	CX-NSZ309
!	O P-SUPPLY/PWB/FAN	CNA0001	8A-NF8-653-010	1B	CONN ASSY, 9P TID-A(480)	LHSCM	CX-SNSZ329
S	P-SUPPLY/PWB/FAN	D 0013	87-A40-455-090	0E	DIODE, RL203 GW	HASC2M	CX-NSZ309
S	P-SUPPLY/PWB/FAN	D 0013	87-A40-455-090	0E	DIODE, RL203 GW	LHSCM	CX-SNSZ329
S	P-SUPPLY/PWB/FAN	D 0014	87-A40-455-090	0E	DIODE, RL203 GW	HASC2M	CX-NSZ309
S	P-SUPPLY/PWB/FAN	D 0014	87-A40-455-090	0E	DIODE, RL203 GW	LHSCM	CX-SNSZ329
S	P-SUPPLY/PWB/FAN	D 0015	87-A40-455-090	0E	DIODE, RL203 GW	HASC2M	CX-NSZ309
S	P-SUPPLY/PWB/FAN	D 0015	87-A40-455-090	0E	DIODE, RL203 GW	LHSCM	CX-SNSZ329
S	P-SUPPLY/PWB/FAN	D 0016	87-A40-455-090	0E	DIODE, RL203 GW	HASC2M	CX-NSZ309
S	P-SUPPLY/PWB/FAN	D 0016	87-A40-455-090	0E	DIODE, RL203 GW	LHSCM	CX-SNSZ329
S	P-SUPPLY/PWB/FAN	D 0017	87-A40-455-090	0E	DIODE, RL203 GW	HASC2M	CX-NSZ309
S	P-SUPPLY/PWB/FAN	D 0017	87-A40-455-090	0E	DIODE, RL203 GW	LHSCM	CX-SNSZ329
S	P-SUPPLY/PWB/FAN	D 0018	87-A40-455-090	0E	DIODE, RL203 GW	HASC2M	CX-NSZ309
S	P-SUPPLY/PWB/FAN	D 0018	87-A40-455-090	0E	DIODE, RL203 GW	LHSCM	CX-SNSZ329
S	P-SUPPLY/PWB/FAN	D 0019	87-A40-455-090	0E	DIODE, RL203 GW	HASC2M	CX-NSZ309
S	P-SUPPLY/PWB/FAN	D 0019	87-A40-455-090	0E	DIODE, RL203 GW	LHSCM	CX-SNSZ329
S	P-SUPPLY/PWB/FAN	D 0020	87-A40-455-090	0E	DIODE, RL203 GW	HASC2M	CX-NSZ309
S	P-SUPPLY/PWB/FAN	D 0020	87-A40-455-090	0E	DIODE, RL203 GW	LHSCM	CX-SNSZ329
S	P-SUPPLY/PWB/FAN	D 0025	87-A40-553-080	0E	DIODE, 1N4003 LES	HASC2M	CX-NSZ309
S	P-SUPPLY/PWB/FAN	D 0025	87-A40-553-080	0E	DIODE, 1N4003 LES	LHSCM	CX-SNSZ329
S	P-SUPPLY/PWB/FAN	D 0026	87-A40-553-080	0E	DIODE, 1N4003 LES	HASC2M	CX-NSZ309
S	P-SUPPLY/PWB/FAN	D 0026	87-A40-553-080	0E	DIODE, 1N4003 LES	LHSCM	CX-SNSZ329
S	P-SUPPLY/PWB/FAN	D 0027	87-A40-553-080	0E	DIODE, 1N4003 LES	HASC2M	CX-NSZ309
S	P-SUPPLY/PWB/FAN	D 0027	87-A40-553-080	0E	DIODE, 1N4003 LES	LHSCM	CX-SNSZ329
S	P-SUPPLY/PWB/FAN	D 0028	87-A40-553-080	0E	DIODE, 1N4003 LES	HASC2M	CX-NSZ309
S	P-SUPPLY/PWB/FAN	D 0028	87-A40-553-080	0E	DIODE, 1N4003 LES	LHSCM	CX-SNSZ329
S	P-SUPPLY/PWB/FAN	D 0029	87-A40-776-080	0E	ZENER, UZ27BSD	HASC2M	CX-NSZ309
S	P-SUPPLY/PWB/FAN	D 0029	87-A40-776-080	0E	ZENER, UZ27BSD	LHSCM	CX-SNSZ329
S	P-SUPPLY/PWB/FAN	D 0030	87-A40-291-080	0E	DIODE, 1N4148M (CPT)	HASC2M	CX-NSZ309
S	P-SUPPLY/PWB/FAN	D 0030	87-A40-291-080	0E	DIODE, 1N4148M (CPT)	LHSCM	CX-SNSZ329
S	P-SUPPLY/PWB/FAN	D 0031	87-A40-764-080	0E	ZENER, UZ10BSC	HASC2M	CX-NSZ309
S	P-SUPPLY/PWB/FAN	D 0031	87-A40-764-080	0E	ZENER, UZ10BSC	LHSCM	CX-SNSZ329
S	P-SUPPLY/PWB/FAN	D 0033	87-A40-553-080	0E	DIODE, 1N4003 LES	HASC2M	CX-NSZ309
S	P-SUPPLY/PWB/FAN	D 0033	87-A40-553-080	0E	DIODE, 1N4003 LES	LHSCM	CX-SNSZ329

# PARTS LIST

! =  $\Delta$  SAFTY PARTS  
 C = Components marked

All components used on this model at the production line are shown in this service manual.

However, please note that not all components will be available as spare parts for after-sales service.

Components marked S and O are designated as spare parts for service and will be stocked at the spare parts centers.

Components marked X and R are not designated as spare parts for after sales service, and will not be stocked at the spare parts centers.

K NO. = Only use Japanese.

! C	UNIT NAME	REF NO.	PARTS CODE	K NO.	DESCRIPTION	SUFFIX	MODEL NAME
S	P-SUPPLY/PWB/FAN	D 0034	87-A40-291-080	0E	DIODE,1N4148M (CPT)	HASC2M	CX-NSZ309
S	P-SUPPLY/PWB/FAN	D 0034	87-A40-291-080	0E	DIODE,1N4148M (CPT)	LHSCM	CX-SNSZ329
S	P-SUPPLY/PWB/FAN	D 0035	87-A40-291-080	0E	DIODE,1N4148M (CPT)	HASC2M	CX-NSZ309
S	P-SUPPLY/PWB/FAN	D 0035	87-A40-291-080	0E	DIODE,1N4148M (CPT)	LHSCM	CX-SNSZ329
S	P-SUPPLY/PWB/FAN	D 0041	87-A40-270-080	0E	C-DIODE,MC2838	HASC2M	CX-NSZ309
S	P-SUPPLY/PWB/FAN	D 0041	87-A40-270-080	0E	C-DIODE,MC2838	LHSCM	CX-SNSZ329
S	P-SUPPLY/PWB/FAN	D 0042	87-A40-269-080	0E	C-DIODE,MC2836	HASC2M	CX-NSZ309
S	P-SUPPLY/PWB/FAN	D 0042	87-A40-269-080	0E	C-DIODE,MC2836	LHSCM	CX-SNSZ329
S	P-SUPPLY/PWB/FAN	D 0060	87-A40-291-080	0E	DIODE,1N4148M (CPT)	HASC2M	CX-NSZ309
S	P-SUPPLY/PWB/FAN	D 0060	87-A40-291-080	0E	DIODE,1N4148M (CPT)	LHSCM	CX-SNSZ329
S	P-SUPPLY/PWB/FAN	D 0062	87-A40-270-080	0E	C-DIODE,MC2838	HASC2M	CX-NSZ309
S	P-SUPPLY/PWB/FAN	D 0062	87-A40-270-080	0E	C-DIODE,MC2838	LHSCM	CX-SNSZ329
S	P-SUPPLY/PWB/FAN	D 0063	87-A40-270-080	0E	C-DIODE,MC2838	HASC2M	CX-NSZ309
S	P-SUPPLY/PWB/FAN	D 0063	87-A40-270-080	0E	C-DIODE,MC2838	LHSCM	CX-SNSZ329
S	P-SUPPLY/PWB/FAN	D 0064	87-A40-269-080	0E	C-DIODE,MC2836	HASC2M	CX-NSZ309
S	P-SUPPLY/PWB/FAN	D 0064	87-A40-269-080	0E	C-DIODE,MC2836	LHSCM	CX-SNSZ329
S	P-SUPPLY/PWB/FAN	D 0065	87-A40-269-080	0E	C-DIODE,MC2836	HASC2M	CX-NSZ309
S	P-SUPPLY/PWB/FAN	D 0065	87-A40-269-080	0E	C-DIODE,MC2836	LHSCM	CX-SNSZ329
S	P-SUPPLY/PWB/FAN	D 0071	87-A40-269-080	0E	C-DIODE,MC2836	HASC2M	CX-NSZ309
S	P-SUPPLY/PWB/FAN	D 0071	87-A40-269-080	0E	C-DIODE,MC2836	LHSCM	CX-SNSZ329
S	P-SUPPLY/PWB/FAN	D 0072	87-A40-270-080	0E	C-DIODE,MC2838	HASC2M	CX-NSZ309
S	P-SUPPLY/PWB/FAN	D 0072	87-A40-270-080	0E	C-DIODE,MC2838	LHSCM	CX-SNSZ329
S	P-SUPPLY/PWB/FAN	D 0076	87-A40-269-080	0E	C-DIODE,MC2836	HASC2M	CX-NSZ309
S	P-SUPPLY/PWB/FAN	D 0076	87-A40-269-080	0E	C-DIODE,MC2836	LHSCM	CX-SNSZ329
S	P-SUPPLY/PWB/FAN	D 0077	87-A40-270-080	0E	C-DIODE,MC2838	HASC2M	CX-NSZ309
S	P-SUPPLY/PWB/FAN	D 0077	87-A40-270-080	0E	C-DIODE,MC2838	LHSCM	CX-SNSZ329
X	P-SUPPLY/PWB/FAN	JR 0001	88-108-000-080	0E	C-JUMPER,U	HASC2M	CX-NSZ309
X	P-SUPPLY/PWB/FAN	JR 0001	88-108-000-080	0E	C-JUMPER,U	LHSCM	CX-SNSZ329
X	P-SUPPLY/PWB/FAN	JR 0003	88-108-000-080	0E	C-JUMPER,U	HASC2M	CX-NSZ309
X	P-SUPPLY/PWB/FAN	JR 0003	88-108-000-080	0E	C-JUMPER,U	LHSCM	CX-SNSZ329
X	P-SUPPLY/PWB/FAN	JR 0004	88-108-000-080	0E	C-JUMPER,U	HASC2M	CX-NSZ309
X	P-SUPPLY/PWB/FAN	JR 0004	88-108-000-080	0E	C-JUMPER,U	LHSCM	CX-SNSZ329
X	P-SUPPLY/PWB/FAN	JR 0005	88-108-000-080	0E	C-JUMPER,U	HASC2M	CX-NSZ309
X	P-SUPPLY/PWB/FAN	JR 0005	88-108-000-080	0E	C-JUMPER,U	LHSCM	CX-SNSZ329
X	P-SUPPLY/PWB/FAN	JR 0006	88-129-000-080	0E	C-JUMPER, 3216	HASC2M	CX-NSZ309
X	P-SUPPLY/PWB/FAN	JR 0006	88-129-000-080	0E	C-JUMPER, 3216	LHSCM	CX-SNSZ329
X	P-SUPPLY/PWB/FAN	JR 0023	88-128-820-080	0E	C-RES, 82-1/8W J	HASC2M	CX-NSZ309
X	P-SUPPLY/PWB/FAN	JR 0023	88-128-820-080	0E	C-RES, 82-1/8W J	LHSCM	CX-SNSZ329
X	P-SUPPLY/PWB/FAN	JR 0024	88-128-820-080	0E	C-RES, 82-1/8W J	HASC2M	CX-NSZ309
X	P-SUPPLY/PWB/FAN	JR 0024	88-128-820-080	0E	C-RES, 82-1/8W J	LHSCM	CX-SNSZ329
S	P-SUPPLY/PWB/FAN	Q 0001	87-A30-494-080	0E	TR,2SA1980G	HASC2M	CX-NSZ309
S	P-SUPPLY/PWB/FAN	Q 0001	87-A30-494-080	0E	TR,2SA1980G	LHSCM	CX-SNSZ329
S	P-SUPPLY/PWB/FAN	Q 0002	87-A30-494-080	0E	TR,2SA1980G	HASC2M	CX-NSZ309
S	P-SUPPLY/PWB/FAN	Q 0002	87-A30-494-080	0E	TR,2SA1980G	LHSCM	CX-SNSZ329
S	P-SUPPLY/PWB/FAN	Q 0003	87-A30-559-010	1A	TR,CSB1370EF	HASC2M	CX-NSZ309
S	P-SUPPLY/PWB/FAN	Q 0003	87-A30-559-010	1A	TR,CSB1370EF	LHSCM	CX-SNSZ329
S	P-SUPPLY/PWB/FAN	Q 0005	87-026-610-080	0E	TR,KTC3198GR	HASC2M	CX-NSZ309
S	P-SUPPLY/PWB/FAN	Q 0005	87-026-610-080	0E	TR,KTC3198GR	LHSCM	CX-SNSZ329
S	P-SUPPLY/PWB/FAN	Q 0006	87-A30-076-080	0E	C-TR,2SC3052F	HASC2M	CX-NSZ309
S	P-SUPPLY/PWB/FAN	Q 0006	87-A30-076-080	0E	C-TR,2SC3052F	LHSCM	CX-SNSZ329
S	P-SUPPLY/PWB/FAN	Q 0008	87-A30-075-080	0E	C-TR,2SA1235F	HASC2M	CX-NSZ309
S	P-SUPPLY/PWB/FAN	Q 0008	87-A30-075-080	0E	C-TR,2SA1235F	LHSCM	CX-SNSZ329
S	P-SUPPLY/PWB/FAN	Q 0009	87-A30-494-080	0E	TR,2SA1980G	HASC2M	CX-NSZ309
S	P-SUPPLY/PWB/FAN	Q 0009	87-A30-494-080	0E	TR,2SA1980G	LHSCM	CX-SNSZ329
S	P-SUPPLY/PWB/FAN	Q 0010	87-A30-076-080	0E	C-TR,2SC3052F	HASC2M	CX-NSZ309
S	P-SUPPLY/PWB/FAN	Q 0010	87-A30-076-080	0E	C-TR,2SC3052F	LHSCM	CX-SNSZ329
S	P-SUPPLY/PWB/FAN	Q 0059	87-A30-107-070	0E	C-TR,CMBT5401	HASC2M	CX-NSZ309
S	P-SUPPLY/PWB/FAN	Q 0059	87-A30-107-070	0E	C-TR,CMBT5401	LHSCM	CX-SNSZ329
S	P-SUPPLY/PWB/FAN	Q 0060	87-A30-076-080	0E	C-TR,2SC3052F	HASC2M	CX-NSZ309
S	P-SUPPLY/PWB/FAN	Q 0060	87-A30-076-080	0E	C-TR,2SC3052F	LHSCM	CX-SNSZ329
S	P-SUPPLY/PWB/FAN	Q 0061	87-A30-075-080	0E	C-TR,2SA1235F	HASC2M	CX-NSZ309
S	P-SUPPLY/PWB/FAN	Q 0061	87-A30-075-080	0E	C-TR,2SA1235F	LHSCM	CX-SNSZ329
S	P-SUPPLY/PWB/FAN	Q 0062	87-A30-076-080	0E	C-TR,2SC3052F	HASC2M	CX-NSZ309
S	P-SUPPLY/PWB/FAN	Q 0062	87-A30-076-080	0E	C-TR,2SC3052F	LHSCM	CX-SNSZ329
S	P-SUPPLY/PWB/FAN	Q 0063	87-A30-075-080	0E	C-TR,2SA1235F	HASC2M	CX-NSZ309
S	P-SUPPLY/PWB/FAN	Q 0063	87-A30-075-080	0E	C-TR,2SA1235F	LHSCM	CX-SNSZ329
S	P-SUPPLY/PWB/FAN	Q 0064	87-A30-076-080	0E	C-TR,2SC3052F	HASC2M	CX-NSZ309
S	P-SUPPLY/PWB/FAN	Q 0064	87-A30-076-080	0E	C-TR,2SC3052F	LHSCM	CX-SNSZ329
S	P-SUPPLY/PWB/FAN	Q 0065	87-A30-484-080	0E	C-TR,KRA102S	HASC2M	CX-NSZ309
S	P-SUPPLY/PWB/FAN	Q 0065	87-A30-484-080	0E	C-TR,KRA102S	LHSCM	CX-SNSZ329



# PARTS LIST

! =  $\Delta$  SAFTY PARTS  
 C = Components marked

All components used on this model at the production line are shown in this service manual.

However, please note that not all components will be available as spare parts for after-sales service.

Components marked S and O are designated as spare parts for service and will be stocked at the spare parts centers.

Components marked X and R are not designated as spare parts for after sales service, and will not be stocked at the spare parts centers.

K NO. = Only use Japanese.

! C	UNIT NAME	REF NO.	PARTS CODE	K NO.	DESCRIPTION	SUFFIX	MODEL NAME
X	P-SUPPLY/PWB/FAN	R 0001	88-100-000-010	OE	PLATING-JW, 0.58 SN95	LHSCM	CX-SNSZ329
X	P-SUPPLY/PWB/FAN	R 0005	88-100-000-010	OE	PLATING-JW, 0.58 SN95	LHSCM	CX-SNSZ329
X	P-SUPPLY/PWB/FAN	R 0009	88-108-223-080	OE	C-RES,U 22K-1/16W J	HASC2M	CX-NSZ309
X	P-SUPPLY/PWB/FAN	R 0009	88-108-223-080	OE	C-RES,U 22K-1/16W J	LHSCM	CX-SNSZ329
X	P-SUPPLY/PWB/FAN	R 0010	88-108-223-080	OE	C-RES,U 22K-1/16W J	HASC2M	CX-NSZ309
X	P-SUPPLY/PWB/FAN	R 0010	88-108-223-080	OE	C-RES,U 22K-1/16W J	LHSCM	CX-SNSZ329
X	P-SUPPLY/PWB/FAN	R 0011	88-108-472-080	OE	C-RES,U 4.7K-1/16W J	HASC2M	CX-NSZ309
X	P-SUPPLY/PWB/FAN	R 0011	88-108-472-080	OE	C-RES,U 4.7K-1/16W J	LHSCM	CX-SNSZ329
X	P-SUPPLY/PWB/FAN	R 0012	88-108-472-080	OE	C-RES,U 4.7K-1/16W J	HASC2M	CX-NSZ309
X	P-SUPPLY/PWB/FAN	R 0012	88-108-472-080	OE	C-RES,U 4.7K-1/16W J	LHSCM	CX-SNSZ329
X	P-SUPPLY/PWB/FAN	R 0013	88-108-472-080	OE	C-RES,U 4.7K-1/16W J	HASC2M	CX-NSZ309
X	P-SUPPLY/PWB/FAN	R 0013	88-108-472-080	OE	C-RES,U 4.7K-1/16W J	LHSCM	CX-SNSZ329
X	P-SUPPLY/PWB/FAN	R 0014	88-118-100-080	OE	C-RES,S 10-1/10W J	HASC2M	CX-NSZ309
X	P-SUPPLY/PWB/FAN	R 0014	88-118-100-080	OE	C-RES,S 10-1/10W J	LHSCM	CX-SNSZ329
X	P-SUPPLY/PWB/FAN	R 0015	88-108-104-080	OE	C-RES,U 100K-1/16W J	HASC2M	CX-NSZ309
X	P-SUPPLY/PWB/FAN	R 0015	88-108-104-080	OE	C-RES,U 100K-1/16W J	LHSCM	CX-SNSZ329
X	P-SUPPLY/PWB/FAN	R 0016	88-108-333-080	OE	C-RES,U 33K-1/16W J	HASC2M	CX-NSZ309
X	P-SUPPLY/PWB/FAN	R 0016	88-108-333-080	OE	C-RES,U 33K-1/16W J	LHSCM	CX-SNSZ329
X	P-SUPPLY/PWB/FAN	R 0017	88-100-000-010	OE	PLATING-JW, 0.58 SN95	LHSCM	CX-SNSZ329
X	P-SUPPLY/PWB/FAN	R 0018	88-118-221-080	OE	C-RES,S 220-1/10W J	HASC2M	CX-NSZ309
X	P-SUPPLY/PWB/FAN	R 0018	88-118-221-080	OE	C-RES,S 220-1/10W J	LHSCM	CX-SNSZ329
X	P-SUPPLY/PWB/FAN	R 0019	88-108-000-080	OE	C-JUMPER,U	HASC2M	CX-NSZ309
X	P-SUPPLY/PWB/FAN	R 0019	88-108-000-080	OE	C-JUMPER,U	LHSCM	CX-SNSZ329
X	P-SUPPLY/PWB/FAN	R 0020	88-121-680-080	OE	RES,68-1/8W J	HASC2M	CX-NSZ309
X	P-SUPPLY/PWB/FAN	R 0020	88-121-680-080	OE	RES,68-1/8W J	LHSCM	CX-SNSZ329
X	P-SUPPLY/PWB/FAN	R 0021	88-108-472-080	OE	C-RES,U 4.7K-1/16W J	HASC2M	CX-NSZ309
X	P-SUPPLY/PWB/FAN	R 0021	88-108-472-080	OE	C-RES,U 4.7K-1/16W J	LHSCM	CX-SNSZ329
X	P-SUPPLY/PWB/FAN	R 0022	88-108-221-080	OE	C-RES,U 220-1/16W J	HASC2M	CX-NSZ309
X	P-SUPPLY/PWB/FAN	R 0022	88-108-221-080	OE	C-RES,U 220-1/16W J	LHSCM	CX-SNSZ329
X	P-SUPPLY/PWB/FAN	R 0023	88-108-103-080	OE	C-RES,U 10K-1/16W J	HASC2M	CX-NSZ309
X	P-SUPPLY/PWB/FAN	R 0023	88-108-103-080	OE	C-RES,U 10K-1/16W J	LHSCM	CX-SNSZ329
X	P-SUPPLY/PWB/FAN	R 0027	88-118-471-080	OE	C-RES,S 470-1/10W J	HASC2M	CX-NSZ309
X	P-SUPPLY/PWB/FAN	R 0027	88-118-471-080	OE	C-RES,S 470-1/10W J	LHSCM	CX-SNSZ329
X	P-SUPPLY/PWB/FAN	R 0028	88-108-103-080	OE	C-RES,U 10K-1/16W J	HASC2M	CX-NSZ309
X	P-SUPPLY/PWB/FAN	R 0028	88-108-103-080	OE	C-RES,U 10K-1/16W J	LHSCM	CX-SNSZ329
X	P-SUPPLY/PWB/FAN	R 0029	88-108-222-080	OE	C-RES,U 2.2K-1/16W J	HASC2M	CX-NSZ309
X	P-SUPPLY/PWB/FAN	R 0029	88-108-222-080	OE	C-RES,U 2.2K-1/16W J	LHSCM	CX-SNSZ329
X	P-SUPPLY/PWB/FAN	R 0030	88-108-333-080	OE	C-RES,U 33K-1/16W J	HASC2M	CX-NSZ309
X	P-SUPPLY/PWB/FAN	R 0030	88-108-333-080	OE	C-RES,U 33K-1/16W J	LHSCM	CX-SNSZ329
X	P-SUPPLY/PWB/FAN	R 0031	88-108-473-080	OE	C-RES,U 47K-1/16W J	HASC2M	CX-NSZ309
X	P-SUPPLY/PWB/FAN	R 0031	88-108-473-080	OE	C-RES,U 47K-1/16W J	LHSCM	CX-SNSZ329
X	P-SUPPLY/PWB/FAN	R 0032	88-121-102-080	OE	RES,1K-1/8W J	HASC2M	CX-NSZ309
X	P-SUPPLY/PWB/FAN	R 0032	88-121-102-080	OE	RES,1K-1/8W J	LHSCM	CX-SNSZ329
X	P-SUPPLY/PWB/FAN	R 0033	88-108-101-080	OE	C-RES,U 100-1/16W J	HASC2M	CX-NSZ309
X	P-SUPPLY/PWB/FAN	R 0033	88-108-101-080	OE	C-RES,U 100-1/16W J	LHSCM	CX-SNSZ329
X	P-SUPPLY/PWB/FAN	R 0034	88-108-394-080	OE	C-RES,U 390K-1/16W J	HASC2M	CX-NSZ309
X	P-SUPPLY/PWB/FAN	R 0034	88-108-394-080	OE	C-RES,U 390K-1/16W J	LHSCM	CX-SNSZ329
X	P-SUPPLY/PWB/FAN	R 0037	88-128-680-080	OE	C-RES, 68-1/8W J	HASC2M	CX-NSZ309
X	P-SUPPLY/PWB/FAN	R 0037	88-128-680-080	OE	C-RES, 68-1/8W J	LHSCM	CX-SNSZ329
X	P-SUPPLY/PWB/FAN	R 0038	88-130-151-080	OE	RES,150-1/4W J	HASC2M	CX-NSZ309
X	P-SUPPLY/PWB/FAN	R 0038	88-130-151-080	OE	RES,150-1/4W J	LHSCM	CX-SNSZ329
X	P-SUPPLY/PWB/FAN	R 0039	88-128-680-080	OE	C-RES, 68-1/8W J	HASC2M	CX-NSZ309
X	P-SUPPLY/PWB/FAN	R 0039	88-128-680-080	OE	C-RES, 68-1/8W J	LHSCM	CX-SNSZ329
X	P-SUPPLY/PWB/FAN	R 0042	88-130-151-080	OE	RES,150-1/4W J	HASC2M	CX-NSZ309
X	P-SUPPLY/PWB/FAN	R 0042	88-130-151-080	OE	RES,150-1/4W J	LHSCM	CX-SNSZ329
X	P-SUPPLY/PWB/FAN	R 0043	88-130-151-080	OE	RES,150-1/4W J	HASC2M	CX-NSZ309
X	P-SUPPLY/PWB/FAN	R 0043	88-130-151-080	OE	RES,150-1/4W J	LHSCM	CX-SNSZ329
X	P-SUPPLY/PWB/FAN	R 0044	88-128-820-080	OE	C-RES, 82-1/8W J	HASC2M	CX-NSZ309
X	P-SUPPLY/PWB/FAN	R 0044	88-128-820-080	OE	C-RES, 82-1/8W J	LHSCM	CX-SNSZ329
X	P-SUPPLY/PWB/FAN	R 0045	88-128-680-080	OE	C-RES, 68-1/8W J	HASC2M	CX-NSZ309
X	P-SUPPLY/PWB/FAN	R 0045	88-128-680-080	OE	C-RES, 68-1/8W J	LHSCM	CX-SNSZ329
X	P-SUPPLY/PWB/FAN	R 0046	88-130-151-080	OE	RES,150-1/4W J	HASC2M	CX-NSZ309
X	P-SUPPLY/PWB/FAN	R 0046	88-130-151-080	OE	RES,150-1/4W J	LHSCM	CX-SNSZ329
X	P-SUPPLY/PWB/FAN	R 0047	88-100-000-010	OE	PLATING-JW, 0.58 SN95	LHSCM	CX-SNSZ329
X	P-SUPPLY/PWB/FAN	R 0050	88-128-820-080	OE	C-RES, 82-1/8W J	HASC2M	CX-NSZ309
X	P-SUPPLY/PWB/FAN	R 0050	88-128-820-080	OE	C-RES, 82-1/8W J	LHSCM	CX-SNSZ329
X	P-SUPPLY/PWB/FAN	R 0051	88-128-680-080	OE	C-RES, 68-1/8W J	HASC2M	CX-NSZ309
X	P-SUPPLY/PWB/FAN	R 0051	88-128-680-080	OE	C-RES, 68-1/8W J	LHSCM	CX-SNSZ329
X	P-SUPPLY/PWB/FAN	R 0052	88-108-333-080	OE	C-RES,U 33K-1/16W J	HASC2M	CX-NSZ309
X	P-SUPPLY/PWB/FAN	R 0052	88-108-333-080	OE	C-RES,U 33K-1/16W J	LHSCM	CX-SNSZ329

# PARTS LIST

! =  $\Delta$  SAFTY PARTS  
 C = Components marked

All components used on this model at the production line are shown in this service manual.

However, please note that not all components will be available as spare parts for after-sales service.

Components marked S and O are designated as spare parts for service and will be stocked at the spare parts centers.

Components marked X and R are not designated as spare parts for after sales service, and will not be stocked at the spare parts centers.

K NO. = Only use Japanese.

! C	UNIT NAME	REF NO.	PARTS CODE	K NO.	DESCRIPTION	SUFFIX	MODEL NAME
X	P-SUPPLY/PWB/FAN	R 0054	88-118-473-080	OE	C-RES,S 47K-1/10W J	HASC2M	CX-NSZ309
X	P-SUPPLY/PWB/FAN	R 0054	88-118-473-080	OE	C-RES,S 47K-1/10W J	LHSCM	CX-SNSZ329
X	P-SUPPLY/PWB/FAN	R 0055	88-118-473-080	OE	C-RES,S 47K-1/10W J	HASC2M	CX-NSZ309
X	P-SUPPLY/PWB/FAN	R 0055	88-118-473-080	OE	C-RES,S 47K-1/10W J	LHSCM	CX-SNSZ329
X	P-SUPPLY/PWB/FAN	R 0056	88-108-682-080	OE	C-RES,U 6.8K-1/16W J	HASC2M	CX-NSZ309
X	P-SUPPLY/PWB/FAN	R 0056	88-108-682-080	OE	C-RES,U 6.8K-1/16W J	LHSCM	CX-SNSZ329
X	P-SUPPLY/PWB/FAN	R 0057	88-108-222-080	OE	C-RES,U 2.2K-1/16W J	HASC2M	CX-NSZ309
X	P-SUPPLY/PWB/FAN	R 0057	88-108-222-080	OE	C-RES,U 2.2K-1/16W J	LHSCM	CX-SNSZ329
X	P-SUPPLY/PWB/FAN	R 0058	88-108-392-080	OE	C-RES,U 3.9K-1/16W J	HASC2M	CX-NSZ309
X	P-SUPPLY/PWB/FAN	R 0058	88-108-392-080	OE	C-RES,U 3.9K-1/16W J	LHSCM	CX-SNSZ329
X	P-SUPPLY/PWB/FAN	R 0059	88-118-103-080	OE	C-RES,S 10K-1/10W J	HASC2M	CX-NSZ309
X	P-SUPPLY/PWB/FAN	R 0059	88-118-103-080	OE	C-RES,S 10K-1/10W J	LHSCM	CX-SNSZ329
X	P-SUPPLY/PWB/FAN	R 0060	88-118-473-080	OE	C-RES,S 47K-1/10W J	HASC2M	CX-NSZ309
X	P-SUPPLY/PWB/FAN	R 0060	88-118-473-080	OE	C-RES,S 47K-1/10W J	LHSCM	CX-SNSZ329
X	P-SUPPLY/PWB/FAN	R 0061	88-108-333-080	OE	C-RES,U 33K-1/16W J	HASC2M	CX-NSZ309
X	P-SUPPLY/PWB/FAN	R 0061	88-108-333-080	OE	C-RES,U 33K-1/16W J	LHSCM	CX-SNSZ329
X	P-SUPPLY/PWB/FAN	R 0062	88-108-273-080	OE	C-RES,U 27K-1/16W J	HASC2M	CX-NSZ309
X	P-SUPPLY/PWB/FAN	R 0062	88-108-273-080	OE	C-RES,U 27K-1/16W J	LHSCM	CX-SNSZ329
X	P-SUPPLY/PWB/FAN	R 0063	88-108-273-080	OE	C-RES,U 27K-1/16W J	HASC2M	CX-NSZ309
X	P-SUPPLY/PWB/FAN	R 0063	88-108-273-080	OE	C-RES,U 27K-1/16W J	LHSCM	CX-SNSZ329
X	P-SUPPLY/PWB/FAN	R 0064	88-108-102-080	OE	C-RES,U 1K-1/16W J	HASC2M	CX-NSZ309
X	P-SUPPLY/PWB/FAN	R 0064	88-108-102-080	OE	C-RES,U 1K-1/16W J	LHSCM	CX-SNSZ329
X	P-SUPPLY/PWB/FAN	R 0065	88-108-123-080	OE	C-RES,U 12K-1/16W J	HASC2M	CX-NSZ309
X	P-SUPPLY/PWB/FAN	R 0065	88-108-123-080	OE	C-RES,U 12K-1/16W J	LHSCM	CX-SNSZ329
X	P-SUPPLY/PWB/FAN	R 0066	88-108-104-080	OE	C-RES,U 100K-1/16W J	HASC2M	CX-NSZ309
X	P-SUPPLY/PWB/FAN	R 0066	88-108-104-080	OE	C-RES,U 100K-1/16W J	LHSCM	CX-SNSZ329
X	P-SUPPLY/PWB/FAN	R 0067	88-108-103-080	OE	C-RES,U 10K-1/16W J	HASC2M	CX-NSZ309
X	P-SUPPLY/PWB/FAN	R 0067	88-108-103-080	OE	C-RES,U 10K-1/16W J	LHSCM	CX-SNSZ329
X	P-SUPPLY/PWB/FAN	R 0068	88-108-224-080	OE	C-RES,U 220K-1/16W J	HASC2M	CX-NSZ309
X	P-SUPPLY/PWB/FAN	R 0068	88-108-224-080	OE	C-RES,U 220K-1/16W J	LHSCM	CX-SNSZ329
X	P-SUPPLY/PWB/FAN	R 0069	88-108-224-080	OE	C-RES,U 220K-1/16W J	HASC2M	CX-NSZ309
X	P-SUPPLY/PWB/FAN	R 0069	88-108-224-080	OE	C-RES,U 220K-1/16W J	LHSCM	CX-SNSZ329
X	P-SUPPLY/PWB/FAN	R 0070	88-108-102-080	OE	C-RES,U 1K-1/16W J	HASC2M	CX-NSZ309
X	P-SUPPLY/PWB/FAN	R 0070	88-108-102-080	OE	C-RES,U 1K-1/16W J	LHSCM	CX-SNSZ329
X	P-SUPPLY/PWB/FAN	R 0071	88-108-473-080	OE	C-RES,U 47K-1/16W J	HASC2M	CX-NSZ309
X	P-SUPPLY/PWB/FAN	R 0071	88-108-473-080	OE	C-RES,U 47K-1/16W J	LHSCM	CX-SNSZ329
X	P-SUPPLY/PWB/FAN	R 0072	88-108-473-080	OE	C-RES,U 47K-1/16W J	HASC2M	CX-NSZ309
X	P-SUPPLY/PWB/FAN	R 0072	88-108-473-080	OE	C-RES,U 47K-1/16W J	LHSCM	CX-SNSZ329
X	P-SUPPLY/PWB/FAN	R 0073	88-128-560-080	OE	C-RES, 56-1/8W J	HASC2M	CX-NSZ309
X	P-SUPPLY/PWB/FAN	R 0073	88-128-560-080	OE	C-RES, 56-1/8W J	LHSCM	CX-SNSZ329
X	P-SUPPLY/PWB/FAN	R 0074	88-128-560-080	OE	C-RES, 56-1/8W J	HASC2M	CX-NSZ309
X	P-SUPPLY/PWB/FAN	R 0074	88-128-560-080	OE	C-RES, 56-1/8W J	LHSCM	CX-SNSZ329
X	P-SUPPLY/PWB/FAN	R 0076	88-108-562-080	OE	C-RES,U 5.6K-1/16W J	HASC2M	CX-NSZ309
X	P-SUPPLY/PWB/FAN	R 0076	88-108-562-080	OE	C-RES,U 5.6K-1/16W J	LHSCM	CX-SNSZ329
X	P-SUPPLY/PWB/FAN	R 0078	88-108-393-080	OE	C-RES,U 39K-1/16W J	HASC2M	CX-NSZ309
X	P-SUPPLY/PWB/FAN	R 0078	88-108-393-080	OE	C-RES,U 39K-1/16W J	LHSCM	CX-SNSZ329
X	P-SUPPLY/PWB/FAN	R 0079	88-108-223-080	OE	C-RES,U 22K-1/16W J	HASC2M	CX-NSZ309
X	P-SUPPLY/PWB/FAN	R 0079	88-108-223-080	OE	C-RES,U 22K-1/16W J	LHSCM	CX-SNSZ329
X	P-SUPPLY/PWB/FAN	R 0081	88-108-101-080	OE	C-RES,U 100-1/16W J	HASC2M	CX-NSZ309
X	P-SUPPLY/PWB/FAN	R 0081	88-108-101-080	OE	C-RES,U 100-1/16W J	LHSCM	CX-SNSZ329
X	P-SUPPLY/PWB/FAN	R 0085	88-108-103-080	OE	C-RES,U 10K-1/16W J	HASC2M	CX-NSZ309
X	P-SUPPLY/PWB/FAN	R 0085	88-108-103-080	OE	C-RES,U 10K-1/16W J	LHSCM	CX-SNSZ329
X	P-SUPPLY/PWB/FAN	R 0086	88-108-564-080	OE	C-RES,U 560K-1/16W J	HASC2M	CX-NSZ309
X	P-SUPPLY/PWB/FAN	R 0086	88-108-564-080	OE	C-RES,U 560K-1/16W J	LHSCM	CX-SNSZ329
X	P-SUPPLY/PWB/FAN	R 0093	88-108-823-080	OE	C-RES,U 82K-1/16W J	HASC2M	CX-NSZ309
X	P-SUPPLY/PWB/FAN	R 0093	88-108-823-080	OE	C-RES,U 82K-1/16W J	LHSCM	CX-SNSZ329
X	P-SUPPLY/PWB/FAN	R 0094	88-108-393-080	OE	C-RES,U 39K-1/16W J	HASC2M	CX-NSZ309
X	P-SUPPLY/PWB/FAN	R 0094	88-108-393-080	OE	C-RES,U 39K-1/16W J	LHSCM	CX-SNSZ329
X	P-SUPPLY/PWB/FAN	R 0095	88-108-223-080	OE	C-RES,U 22K-1/16W J	HASC2M	CX-NSZ309
X	P-SUPPLY/PWB/FAN	R 0095	88-108-223-080	OE	C-RES,U 22K-1/16W J	LHSCM	CX-SNSZ329
X	P-SUPPLY/PWB/FAN	R 0096	88-108-823-080	OE	C-RES,U 82K-1/16W J	HASC2M	CX-NSZ309
X	P-SUPPLY/PWB/FAN	R 0096	88-108-823-080	OE	C-RES,U 82K-1/16W J	LHSCM	CX-SNSZ329
!	O P-SUPPLY/PWB/FAN	WH 0001	87-A90-510-010	OE	HLD R,WIRE 2.5-9P	HASC2M	CX-NSZ309
!	O P-SUPPLY/PWB/FAN	WH 0001	87-A90-510-010	OE	HLD R,WIRE 2.5-9P	LHSCM	CX-SNSZ329
X	P-SUPPLY/PWB/FAN, LOC	R 0001	88-100-000-010	OE	PLATING-JW, 0.58 SN95	HASC2M	CX-NSZ309
X	P-SUPPLY/PWB/FAN, LOC	R 0005	88-100-000-010	OE	PLATING-JW, 0.58 SN95	HASC2M	CX-SNSZ309
X	P-SUPPLY/PWB/FAN, LOC	R 0017	88-100-000-010	OE	PLATING-JW, 0.58 SN95	HASC2M	CX-NSZ309
X	P-SUPPLY/PWB/FAN, LOC	R 0047	88-100-000-010	OE	PLATING-JW, 0.58 SN95	HASC2M	CX-SNSZ309
X	PACKING		87-B40-243-010	OE	BAG,PV 0.025-650-750 PL-SPA	HASC2M	CX-NSZ309
X	PACKING		93-704-337-010	1A	SH, FOAMED-MAT 0.31-800-500	HASC2M	CX-NSZ309

# PARTS LIST

! =  $\Delta$  SAFTY PARTS  
 C = Components marked

All components used on this model at the production line are shown in this service manual.

However, please note that not all components will be available as spare parts for after-sales service.

Components marked S and O are designated as spare parts for service and will be stocked at the spare parts centers.

Components marked X and R are not designated as spare parts for after sales service, and will not be stocked at the spare parts centers.

K NO. = Only use Japanese.

! C	UNIT NAME	REF NO.	PARTS CODE	K NO.	DESCRIPTION	SUFFIX	MODEL NAME
! X	PLATE		87-057-961-010	0E	LBL, CAUTION TRIANGLE	HASC2M	CX-NSZ309
! X	PLATE		87-057-995-010	0E	LBL, CAUTION EFSD	HASC2M	CX-NSZ309
O	PLATE		8B-NF9-008-010	0E	WINDOW, CASS 1	HASC2M	CX-NSZ309
O	PLATE		8B-NF9-008-010	0E	WINDOW, CASS 1	LHSCM	CX-SNSZ329
O	PLATE		8B-NF9-009-010	0E	WINDOW, CASS 2	HASC2M	CX-NSZ309
O	PLATE		8B-NF9-009-010	0E	WINDOW, CASS 2	LHSCM	CX-SNSZ329
O	PLATE		8B-NF9-021-010	0E	REFLECTOR, ECO	HASC2M	CX-NSZ309
O	PLATE		8B-NF9-021-010	0E	REFLECTOR, ECO	LHSCM	CX-SNSZ329
O	PLATE		8B-NF9-038-010	--	WINDOW, DISP H 309	HASC2M	CX-NSZ309
O	PLATE		8B-NF9-039-010	--	WINDOW, DISP H 329	LHSCM	CX-SNSZ329
X	PLATE		8B-NF9-048-010	--	LBL, SPEC HASC2M 309	HASC2M	CX-NSZ309
O	POWER AMP	C 0101	87-012-279-080	0E	C-CAP, U 2700P-50 K B GRM	HASC2M	CX-NSZ309
O	POWER AMP	C 0101	87-012-279-080	0E	C-CAP, U 2700P-50 K B GRM	LHSCM	CX-SNSZ329
O	POWER AMP	C 0102	87-012-279-080	0E	C-CAP, U 2700P-50 K B GRM	HASC2M	CX-NSZ309
O	POWER AMP	C 0102	87-012-279-080	0E	C-CAP, U 2700P-50 K B GRM	LHSCM	CX-SNSZ329
O	POWER AMP	C 0103	87-A12-084-080	0E	CAP, E 0.22-50 SMG	HASC2M	CX-NSZ309
O	POWER AMP	C 0103	87-A12-084-080	0E	CAP, E 0.22-50 SMG	LHSCM	CX-SNSZ329
O	POWER AMP	C 0104	87-A12-084-080	0E	CAP, E 0.22-50 SMG	HASC2M	CX-NSZ309
O	POWER AMP	C 0104	87-A12-084-080	0E	CAP, E 0.22-50 SMG	LHSCM	CX-SNSZ329
O	POWER AMP	C 0105	87-012-277-080	0E	C-CAP, U 1800P-50 K B GRM	HASC2M	CX-NSZ309
O	POWER AMP	C 0105	87-012-277-080	0E	C-CAP, U 1800P-50 K B GRM	LHSCM	CX-SNSZ329
O	POWER AMP	C 0106	87-012-277-080	0E	C-CAP, U 1800P-50 K B GRM	HASC2M	CX-NSZ309
O	POWER AMP	C 0106	87-012-277-080	0E	C-CAP, U 1800P-50 K B GRM	LHSCM	CX-SNSZ329
O	POWER AMP	C 0107	87-A12-089-080	0E	CAP, E 3.3-50 SMG	HASC2M	CX-NSZ309
O	POWER AMP	C 0107	87-A12-089-080	0E	CAP, E 3.3-50 SMG	LHSCM	CX-SNSZ329
O	POWER AMP	C 0108	87-A12-089-080	0E	CAP, E 3.3-50 SMG	HASC2M	CX-NSZ309
O	POWER AMP	C 0108	87-A12-089-080	0E	CAP, E 3.3-50 SMG	LHSCM	CX-SNSZ329
O	POWER AMP	C 0111	87-A12-077-080	0E	CAP, E 33-35 SMG	HASC2M	CX-NSZ309
O	POWER AMP	C 0111	87-A12-077-080	0E	CAP, E 33-35 SMG	LHSCM	CX-SNSZ329
O	POWER AMP	C 0112	87-A12-077-080	0E	CAP, E 33-35 SMG	HASC2M	CX-NSZ309
O	POWER AMP	C 0112	87-A12-077-080	0E	CAP, E 33-35 SMG	LHSCM	CX-SNSZ329
O	POWER AMP	C 0113	87-A10-596-080	0E	C-CAP, S 100P-100 J CH	HASC2M	CX-NSZ309
O	POWER AMP	C 0113	87-A10-596-080	0E	C-CAP, S 100P-100 J CH	LHSCM	CX-SNSZ329
O	POWER AMP	C 0114	87-A10-596-080	0E	C-CAP, S 100P-100 J CH	HASC2M	CX-NSZ309
O	POWER AMP	C 0114	87-A10-596-080	0E	C-CAP, S 100P-100 J CH	LHSCM	CX-SNSZ329
O	POWER AMP	C 0117	87-012-368-080	0E	C-CAP, S 0.1-50 Z F	HASC2M	CX-NSZ309
O	POWER AMP	C 0117	87-012-368-080	0E	C-CAP, S 0.1-50 Z F	LHSCM	CX-SNSZ329
O	POWER AMP	C 0118	87-012-368-080	0E	C-CAP, S 0.1-50 Z F	HASC2M	CX-NSZ309
O	POWER AMP	C 0118	87-012-368-080	0E	C-CAP, S 0.1-50 Z F	LHSCM	CX-SNSZ329
O	POWER AMP	C 0119	87-012-286-080	0E	C-CAP, U 0.01-25 K B	HASC2M	CX-NSZ309
O	POWER AMP	C 0119	87-012-286-080	0E	C-CAP, U 0.01-25 K B	LHSCM	CX-SNSZ329
O	POWER AMP	C 0120	87-012-286-080	0E	C-CAP, U 0.01-25 K B	HASC2M	CX-NSZ309
O	POWER AMP	C 0120	87-012-286-080	0E	C-CAP, U 0.01-25 K B	LHSCM	CX-SNSZ329
O	POWER AMP	C 0123	87-010-177-080	0E	C-CAP, S 820P-50 J SL C2012	HASC2M	CX-NSZ309
O	POWER AMP	C 0123	87-010-177-080	0E	C-CAP, S 820P-50 J SL C2012	LHSCM	CX-SNSZ329
O	POWER AMP	C 0124	87-010-177-080	0E	C-CAP, S 820P-50 J SL C2012	HASC2M	CX-NSZ309
O	POWER AMP	C 0124	87-010-177-080	0E	C-CAP, S 820P-50 J SL C2012	LHSCM	CX-SNSZ329
O	POWER AMP	C 0133	87-012-282-080	0E	C-CAP, U 4700P-50 K B	HASC2M	CX-NSZ309
O	POWER AMP	C 0133	87-012-282-080	0E	C-CAP, U 4700P-50 K B	LHSCM	CX-SNSZ329
O	POWER AMP	C 0140	87-012-278-080	0E	C-CAP, U 2200P-50 K B	HASC2M	CX-NSZ309
O	POWER AMP	C 0140	87-012-278-080	0E	C-CAP, U 2200P-50 K B	LHSCM	CX-SNSZ329
O	POWER AMP	C 0186	87-010-759-080	0E	C-CAP, U 0.1-25 Z F	HASC2M	CX-NSZ309
O	POWER AMP	C 0186	87-010-759-080	0E	C-CAP, U 0.1-25 Z F	LHSCM	CX-SNSZ329
O	POWER AMP	C 0187	87-010-866-080	0E	CAP, E 10-63 M VX	HASC2M	CX-NSZ309
O	POWER AMP	C 0187	87-010-866-080	0E	CAP, E 10-63 M VX	LHSCM	CX-SNSZ329
O	POWER AMP	C 0188	87-010-866-080	0E	CAP, E 10-63 M VX	HASC2M	CX-NSZ309
O	POWER AMP	C 0188	87-010-866-080	0E	CAP, E 10-63 M VX	LHSCM	CX-SNSZ329
O	POWER AMP	C 0225	87-012-368-080	0E	C-CAP, S 0.1-50 Z F	HASC2M	CX-NSZ309
O	POWER AMP	C 0225	87-012-368-080	0E	C-CAP, S 0.1-50 Z F	LHSCM	CX-SNSZ329
O	POWER AMP	C 0226	87-012-368-080	0E	C-CAP, S 0.1-50 Z F	HASC2M	CX-NSZ309
O	POWER AMP	C 0226	87-012-368-080	0E	C-CAP, S 0.1-50 Z F	LHSCM	CX-SNSZ329
O	POWER AMP	C 0227	87-012-368-080	0E	C-CAP, S 0.1-50 Z F	HASC2M	CX-NSZ309
O	POWER AMP	C 0227	87-012-368-080	0E	C-CAP, S 0.1-50 Z F	LHSCM	CX-SNSZ329
O	POWER AMP	C 0228	87-012-368-080	0E	C-CAP, S 0.1-50 Z F	HASC2M	CX-NSZ309
O	POWER AMP	C 0228	87-012-368-080	0E	C-CAP, S 0.1-50 Z F	LHSCM	CX-SNSZ329
O	POWER AMP	C 0241	87-010-831-080	0E	C-CAP, U 0.1-16 Z F	HASC2M	CX-NSZ309
O	POWER AMP	C 0241	87-010-831-080	0E	C-CAP, U 0.1-16 Z F	LHSCM	CX-SNSZ329
S	POWER AMP	D 0101	87-A40-269-080	0E	C-DIODE, MC2836	HASC2M	CX-NSZ309
S	POWER AMP	D 0101	87-A40-269-080	0E	C-DIODE, MC2836	LHSCM	CX-SNSZ329
S	POWER AMP	D 0103	87-A40-291-080	0E	DIODE, 1N4148M (CPT)	HASC2M	CX-NSZ309

# PARTS LIST

! =  $\Delta$  SAFTY PARTS  
 C = Components marked

All components used on this model at the production line are shown in this service manual.

However, please note that not all components will be available as spare parts for after-sales service.

Components marked S and O are designated as spare parts for service and will be stocked at the spare parts centers.

Components marked X and R are not designated as spare parts for after sales service, and will not be stocked at the spare parts centers.

K NO. = Only use Japanese.

! C	UNIT NAME	REF NO.	PARTS CODE	K NO.	DESCRIPTION	SUFFIX	MODEL NAME
S	POWER AMP	D 0103	87-A40-291-080	0E	DIODE,1N4148M (CPT)	LHSCM	CX-SNSZ329
S	POWER AMP	D 0104	87-A40-291-080	0E	DIODE,1N4148M (CPT)	HASC2M	CX-NSZ309
S	POWER AMP	D 0104	87-A40-291-080	0E	DIODE,1N4148M (CPT)	LHSCM	CX-SNSZ329
S	POWER AMP	D 0105	87-A40-291-080	0E	DIODE,1N4148M (CPT)	HASC2M	CX-NSZ309
S	POWER AMP	D 0105	87-A40-291-080	0E	DIODE,1N4148M (CPT)	LHSCM	CX-SNSZ329
S	POWER AMP	D 0106	87-A40-291-080	0E	DIODE,1N4148M (CPT)	HASC2M	CX-NSZ309
S	POWER AMP	D 0106	87-A40-291-080	0E	DIODE,1N4148M (CPT)	LHSCM	CX-SNSZ329
S	POWER AMP	D 0107	87-A40-291-080	0E	DIODE,1N4148M (CPT)	HASC2M	CX-NSZ309
S	POWER AMP	D 0107	87-A40-291-080	0E	DIODE,1N4148M (CPT)	LHSCM	CX-SNSZ329
S	POWER AMP	D 0108	87-A40-291-080	0E	DIODE,1N4148M (CPT)	HASC2M	CX-NSZ309
S	POWER AMP	D 0108	87-A40-291-080	0E	DIODE,1N4148M (CPT)	LHSCM	CX-SNSZ329
S	POWER AMP	D 0115	87-A40-270-080	0E	C-DIODE,MC2838	HASC2M	CX-NSZ309
S	POWER AMP	D 0115	87-A40-270-080	0E	C-DIODE,MC2838	LHSCM	CX-SNSZ329
S	POWER AMP	D 0117	87-A40-291-080	0E	DIODE,1N4148M (CPT)	HASC2M	CX-NSZ309
S	POWER AMP	D 0117	87-A40-291-080	0E	DIODE,1N4148M (CPT)	LHSCM	CX-SNSZ329
S	POWER AMP	D 0118	87-A40-291-080	0E	DIODE,1N4148M (CPT)	HASC2M	CX-NSZ309
S	POWER AMP	D 0118	87-A40-291-080	0E	DIODE,1N4148M (CPT)	LHSCM	CX-SNSZ329
S	POWER AMP	D 0150	87-A40-270-080	0E	C-DIODE,MC2838	HASC2M	CX-NSZ309
S	POWER AMP	D 0150	87-A40-270-080	0E	C-DIODE,MC2838	LHSCM	CX-SNSZ329
S	POWER AMP	D 0160	87-A40-270-080	0E	C-DIODE,MC2838	HASC2M	CX-NSZ309
S	POWER AMP	D 0160	87-A40-270-080	0E	C-DIODE,MC2838	LHSCM	CX-SNSZ329
S	POWER AMP	D 0185	87-A40-393-090	0E	DIODE,1N5402GW (F20)	HASC2M	CX-NSZ309
S	POWER AMP	D 0185	87-A40-393-090	0E	DIODE,1N5402GW (F20)	LHSCM	CX-SNSZ329
S	POWER AMP	D 0186	87-A40-393-090	0E	DIODE,1N5402GW (F20)	HASC2M	CX-NSZ309
S	POWER AMP	D 0186	87-A40-393-090	0E	DIODE,1N5402GW (F20)	LHSCM	CX-SNSZ329
S	POWER AMP	D 0187	87-A40-747-080	0E	ZENER,UZ5.1BSB	HASC2M	CX-NSZ309
S	POWER AMP	D 0187	87-A40-747-080	0E	ZENER,UZ5.1BSB	LHSCM	CX-SNSZ329
S	POWER AMP	D 0188	87-A40-749-080	0E	ZENER,UZ5.6BSB	HASC2M	CX-NSZ309
S	POWER AMP	D 0188	87-A40-749-080	0E	ZENER,UZ5.6BSB	LHSCM	CX-SNSZ329
S	POWER AMP	D 0189	87-A40-270-080	0E	C-DIODE,MC2838	LHSCM	CX-SNSZ329
S	POWER AMP	D 0190	87-A40-269-080	0E	C-DIODE,MC2836	HASC2M	CX-NSZ309
S	POWER AMP	D 0190	87-A40-269-080	0E	C-DIODE,MC2836	LHSCM	CX-SNSZ329
S	POWER AMP	D 0191	87-A40-764-080	0E	ZENER,UZ10BSC	HASC2M	CX-NSZ309
S	POWER AMP	D 0191	87-A40-764-080	0E	ZENER,UZ10BSC	LHSCM	CX-SNSZ329
S	POWER AMP	D 0192	87-A40-291-080	0E	DIODE,1N4148M (CPT)	HASC2M	CX-NSZ309
S	POWER AMP	D 0192	87-A40-291-080	0E	DIODE,1N4148M (CPT)	LHSCM	CX-SNSZ329
S	POWER AMP	D 0193	87-A40-291-080	0E	DIODE,1N4148M (CPT)	HASC2M	CX-NSZ309
S	POWER AMP	D 0193	87-A40-291-080	0E	DIODE,1N4148M (CPT)	LHSCM	CX-SNSZ329
O	POWER AMP	J 0201	87-A60-488-010	1B	JACK,DIA6.3 BLK ST W/SW KM16AT	HASC2M	CX-NSZ309
O	POWER AMP	J 0201	87-A60-488-010	1B	JACK,DIA6.3 BLK ST W/SW KM16AT	LHSCM	CX-SNSZ329
!	O	J 0203	87-A60-238-010	1A	TERMINAL,SP 4P (MSC)	HASC2M	CX-NSZ309
!	O	J 0203	87-A60-238-010	1A	TERMINAL,SP 4P (MSC)	LHSCM	CX-SNSZ329
X	POWER AMP	JR 0101	88-108-000-080	0E	C-JUMPER,U	HASC2M	CX-NSZ309
X	POWER AMP	JR 0101	88-108-000-080	0E	C-JUMPER,U	LHSCM	CX-SNSZ329
X	POWER AMP	JR 0102	88-108-000-080	0E	C-JUMPER,U	HASC2M	CX-NSZ309
X	POWER AMP	JR 0102	88-108-000-080	0E	C-JUMPER,U	LHSCM	CX-SNSZ329
X	POWER AMP	JR 0103	88-108-000-080	0E	C-JUMPER,U	HASC2M	CX-NSZ309
X	POWER AMP	JR 0103	88-108-000-080	0E	C-JUMPER,U	LHSCM	CX-SNSZ329
X	POWER AMP	JR 0104	88-108-000-080	0E	C-JUMPER,U	HASC2M	CX-NSZ309
X	POWER AMP	JR 0104	88-108-000-080	0E	C-JUMPER,U	LHSCM	CX-SNSZ329
X	POWER AMP	JR 0105	88-128-273-080	0E	C-RES,27K-1/8W J	HASC2M	CX-NSZ309
X	POWER AMP	JR 0105	88-128-273-080	0E	C-RES,27K-1/8W J	LHSCM	CX-SNSZ329
X	POWER AMP	JR 0107	88-108-000-080	0E	C-JUMPER,U	HASC2M	CX-NSZ309
X	POWER AMP	JR 0107	88-108-000-080	0E	C-JUMPER,U	LHSCM	CX-SNSZ329
X	POWER AMP	JR 0109	88-108-000-080	0E	C-JUMPER,U	HASC2M	CX-NSZ309
X	POWER AMP	JR 0109	88-108-000-080	0E	C-JUMPER,U	LHSCM	CX-SNSZ329
X	POWER AMP	JR 0110	88-108-000-080	0E	C-JUMPER,U	HASC2M	CX-NSZ309
X	POWER AMP	JR 0110	88-108-000-080	0E	C-JUMPER,U	LHSCM	CX-SNSZ329
X	POWER AMP	JR 0111	88-129-000-080	0E	C-JUMPER,3216	HASC2M	CX-NSZ309
X	POWER AMP	JR 0111	88-129-000-080	0E	C-JUMPER,3216	LHSCM	CX-SNSZ329
X	POWER AMP	JR 0113	88-108-000-080	0E	C-JUMPER,U	HASC2M	CX-NSZ309
X	POWER AMP	JR 0113	88-108-000-080	0E	C-JUMPER,U	LHSCM	CX-SNSZ329
X	POWER AMP	JR 0114	88-108-000-080	0E	C-JUMPER,U	HASC2M	CX-NSZ309
X	POWER AMP	JR 0114	88-108-000-080	0E	C-JUMPER,U	LHSCM	CX-SNSZ329
O	POWER AMP	JR 0123	87-A10-596-080	0E	C-CAP,S 100P-100 J CH	HASC2M	CX-NSZ309
O	POWER AMP	JR 0123	87-A10-596-080	0E	C-CAP,S 100P-100 J CH	LHSCM	CX-SNSZ329
O	POWER AMP	JR 0124	87-A10-596-080	0E	C-CAP,S 100P-100 J CH	HASC2M	CX-NSZ309
O	POWER AMP	JR 0124	87-A10-596-080	0E	C-CAP,S 100P-100 J CH	LHSCM	CX-SNSZ329
O	POWER AMP	L 0201	87-A50-610-010	0E	COIL,1UH K(MDEC)	HASC2M	CX-NSZ309

# PARTS LIST

! =  $\Delta$  SAFTY PARTS  
 C = Components marked

All components used on this model at the production line are shown in this service manual.

However, please note that not all components will be available as spare parts for after-sales service.

Components marked S and O are designated as spare parts for service and will be stocked at the spare parts centers.

Components marked X and R are not designated as spare parts for after sales service, and will not be stocked at the spare parts centers.

K NO. = Only use Japanese.

! C	UNIT NAME	REF NO.	PARTS CODE	K NO.	DESCRIPTION	SUFFIX	MODEL NAME
O	POWER AMP	L 0201	87-A50-610-010	0E	COIL,1UH K(MDEC)	LHSCM	CX-SNSZ329
O	POWER AMP	L 0202	87-A50-610-010	0E	COIL,1UH K(MDEC)	HASC2M	CX-NSZ309
O	POWER AMP	L 0202	87-A50-610-010	0E	COIL,1UH K(MDEC)	LHSCM	CX-SNSZ329
S	POWER AMP	Q 0103	87-A30-107-070	0E	C-TR,CMBT5401	HASC2M	CX-NSZ309
S	POWER AMP	Q 0103	87-A30-107-070	0E	C-TR,CMBT5401	LHSCM	CX-SNSZ329
S	POWER AMP	Q 0104	87-A30-107-070	0E	C-TR,CMBT5401	HASC2M	CX-NSZ309
S	POWER AMP	Q 0104	87-A30-107-070	0E	C-TR,CMBT5401	LHSCM	CX-SNSZ329
S	POWER AMP	Q 0105	87-A30-107-070	0E	C-TR,CMBT5401	HASC2M	CX-NSZ309
S	POWER AMP	Q 0105	87-A30-107-070	0E	C-TR,CMBT5401	LHSCM	CX-SNSZ329
S	POWER AMP	Q 0106	87-A30-107-070	0E	C-TR,CMBT5401	HASC2M	CX-NSZ309
S	POWER AMP	Q 0106	87-A30-107-070	0E	C-TR,CMBT5401	LHSCM	CX-SNSZ329
S	POWER AMP	Q 0107	87-A30-076-080	0E	C-TR,2SC3052F	HASC2M	CX-NSZ309
S	POWER AMP	Q 0107	87-A30-076-080	0E	C-TR,2SC3052F	LHSCM	CX-SNSZ329
S	POWER AMP	Q 0108	87-A30-076-080	0E	C-TR,2SC3052F	HASC2M	CX-NSZ309
S	POWER AMP	Q 0108	87-A30-076-080	0E	C-TR,2SC3052F	LHSCM	CX-SNSZ329
S	POWER AMP	Q 0109	87-A30-076-080	0E	C-TR,2SC3052F	HASC2M	CX-NSZ309
S	POWER AMP	Q 0109	87-A30-076-080	0E	C-TR,2SC3052F	LHSCM	CX-SNSZ329
S	POWER AMP	Q 0110	87-A30-076-080	0E	C-TR,2SC3052F	HASC2M	CX-NSZ309
S	POWER AMP	Q 0110	87-A30-076-080	0E	C-TR,2SC3052F	LHSCM	CX-SNSZ329
S	POWER AMP	Q 0111	87-A30-190-080	0E	TR,CC5551	HASC2M	CX-NSZ309
S	POWER AMP	Q 0111	87-A30-190-080	0E	TR,CC5551	LHSCM	CX-SNSZ329
S	POWER AMP	Q 0112	87-A30-190-080	0E	TR,CC5551	HASC2M	CX-NSZ309
S	POWER AMP	Q 0112	87-A30-190-080	0E	TR,CC5551	LHSCM	CX-SNSZ329
S	POWER AMP	Q 0113	87-A30-076-080	0E	C-TR,2SC3052F	HASC2M	CX-NSZ309
S	POWER AMP	Q 0113	87-A30-076-080	0E	C-TR,2SC3052F	LHSCM	CX-SNSZ329
S	POWER AMP	Q 0114	87-A30-076-080	0E	C-TR,2SC3052F	HASC2M	CX-NSZ309
S	POWER AMP	Q 0114	87-A30-076-080	0E	C-TR,2SC3052F	LHSCM	CX-SNSZ329
S	POWER AMP	Q 0115	87-A30-106-040	0E	C-TR,CMBT5551	HASC2M	CX-NSZ309
S	POWER AMP	Q 0115	87-A30-106-040	0E	C-TR,CMBT5551	LHSCM	CX-SNSZ329
S	POWER AMP	Q 0116	87-A30-106-040	0E	C-TR,CMBT5551	HASC2M	CX-NSZ309
S	POWER AMP	Q 0116	87-A30-106-040	0E	C-TR,CMBT5551	LHSCM	CX-SNSZ329
S	POWER AMP	Q 0117	87-A30-528-010	1B	TR,2SB1686	HASC2M	CX-NSZ309
S	POWER AMP	Q 0117	87-A30-528-010	1B	TR,2SB1686	LHSCM	CX-SNSZ329
S	POWER AMP	Q 0118	87-A30-528-010	1B	TR,2SB1686	HASC2M	CX-NSZ309
S	POWER AMP	Q 0118	87-A30-528-010	1B	TR,2SB1686	LHSCM	CX-SNSZ329
S	POWER AMP	Q 0119	87-A30-529-010	1B	TR,2SD2642	HASC2M	CX-NSZ309
S	POWER AMP	Q 0119	87-A30-529-010	1B	TR,2SD2642	LHSCM	CX-SNSZ329
S	POWER AMP	Q 0120	87-A30-529-010	1B	TR,2SD2642	HASC2M	CX-NSZ309
S	POWER AMP	Q 0120	87-A30-529-010	1B	TR,2SD2642	LHSCM	CX-SNSZ329
S	POWER AMP	Q 0121	87-A30-190-080	0E	TR,CC5551	HASC2M	CX-NSZ309
S	POWER AMP	Q 0121	87-A30-190-080	0E	TR,CC5551	LHSCM	CX-SNSZ329
S	POWER AMP	Q 0122	87-A30-190-080	0E	TR,CC5551	HASC2M	CX-NSZ309
S	POWER AMP	Q 0122	87-A30-190-080	0E	TR,CC5551	LHSCM	CX-SNSZ329
S	POWER AMP	Q 0123	87-A30-107-070	0E	C-TR,CMBT5401	HASC2M	CX-NSZ309
S	POWER AMP	Q 0123	87-A30-107-070	0E	C-TR,CMBT5401	LHSCM	CX-SNSZ329
S	POWER AMP	Q 0124	87-A30-107-070	0E	C-TR,CMBT5401	HASC2M	CX-NSZ309
S	POWER AMP	Q 0124	87-A30-107-070	0E	C-TR,CMBT5401	LHSCM	CX-SNSZ329
S	POWER AMP	Q 0126	87-A30-107-070	0E	C-TR,CMBT5401	HASC2M	CX-NSZ309
S	POWER AMP	Q 0126	87-A30-107-070	0E	C-TR,CMBT5401	LHSCM	CX-SNSZ329
S	POWER AMP	Q 0127	87-A30-076-080	0E	C-TR,2SC3052F	HASC2M	CX-NSZ309
S	POWER AMP	Q 0127	87-A30-076-080	0E	C-TR,2SC3052F	LHSCM	CX-SNSZ329
S	POWER AMP	Q 0128	87-A30-076-080	0E	C-TR,2SC3052F	HASC2M	CX-NSZ309
S	POWER AMP	Q 0128	87-A30-076-080	0E	C-TR,2SC3052F	LHSCM	CX-SNSZ329
S	POWER AMP	Q 0130	87-A30-106-040	0E	C-TR,CMBT5551	HASC2M	CX-NSZ309
S	POWER AMP	Q 0130	87-A30-106-040	0E	C-TR,CMBT5551	LHSCM	CX-SNSZ329
S	POWER AMP	Q 0183	87-A30-162-010	1B	FET,2SK2937	HASC2M	CX-NSZ309
S	POWER AMP	Q 0183	87-A30-162-010	1B	FET,2SK2937	LHSCM	CX-SNSZ329
S	POWER AMP	Q 0184	87-A30-162-010	1B	FET,2SK2937	HASC2M	CX-NSZ309
S	POWER AMP	Q 0184	87-A30-162-010	1B	FET,2SK2937	LHSCM	CX-SNSZ329
S	POWER AMP	Q 0185	87-A30-076-080	0E	C-TR,2SC3052F	HASC2M	CX-NSZ309
S	POWER AMP	Q 0185	87-A30-076-080	0E	C-TR,2SC3052F	LHSCM	CX-SNSZ329
S	POWER AMP	Q 0186	87-A30-075-080	0E	C-TR,2SA1235F	HASC2M	CX-NSZ309
S	POWER AMP	Q 0186	87-A30-075-080	0E	C-TR,2SA1235F	LHSCM	CX-SNSZ329
S	POWER AMP	Q 0187	87-A30-075-080	0E	C-TR,2SA1235F	HASC2M	CX-NSZ309
S	POWER AMP	Q 0187	87-A30-075-080	0E	C-TR,2SA1235F	LHSCM	CX-SNSZ329
X	POWER AMP	R 0101	88-108-392-080	0E	C-RES,U 3.9K-1/16W J	HASC2M	CX-NSZ309
X	POWER AMP	R 0101	88-108-392-080	0E	C-RES,U 3.9K-1/16W J	LHSCM	CX-SNSZ329
X	POWER AMP	R 0102	88-108-392-080	0E	C-RES,U 3.9K-1/16W J	HASC2M	CX-NSZ309
X	POWER AMP	R 0102	88-108-392-080	0E	C-RES,U 3.9K-1/16W J	LHSCM	CX-SNSZ329
X	POWER AMP	R 0103	88-108-683-080	0E	C-RES,U 68K-1/16W J	HASC2M	CX-NSZ309

# PARTS LIST

! =  $\Delta$  SAFTY PARTS  
 C = Components marked

All components used on this model at the production line are shown in this service manual.

However, please note that not all components will be available as spare parts for after-sales service.

Components marked S and O are designated as spare parts for service and will be stocked at the spare parts centers.

Components marked X and R are not designated as spare parts for after sales service, and will not be stocked at the spare parts centers.

K NO. = Only use Japanese.

! C	UNIT NAME	REF NO.	PARTS CODE	K NO.	DESCRIPTION	SUFFIX	MODEL NAME
X	POWER AMP	R 0103	88-108-683-080	0E	C-RES,U 68K-1/16W J	LHSCM	CX-SNSZ329
X	POWER AMP	R 0104	88-108-683-080	0E	C-RES,U 68K-1/16W J	HASC2M	CX-NSZ309
X	POWER AMP	R 0104	88-108-683-080	0E	C-RES,U 68K-1/16W J	LHSCM	CX-SNSZ329
X	POWER AMP	R 0105	88-108-273-080	0E	C-RES,U 27K-1/16W J	HASC2M	CX-NSZ309
X	POWER AMP	R 0105	88-108-273-080	0E	C-RES,U 27K-1/16W J	LHSCM	CX-SNSZ329
X	POWER AMP	R 0106	88-108-273-080	0E	C-RES,U 27K-1/16W J	HASC2M	CX-NSZ309
X	POWER AMP	R 0106	88-108-273-080	0E	C-RES,U 27K-1/16W J	LHSCM	CX-SNSZ329
X	POWER AMP	R 0107	88-108-101-080	0E	C-RES,U 100-1/16W J	HASC2M	CX-NSZ309
X	POWER AMP	R 0107	88-108-101-080	0E	C-RES,U 100-1/16W J	LHSCM	CX-SNSZ329
X	POWER AMP	R 0108	88-108-101-080	0E	C-RES,U 100-1/16W J	HASC2M	CX-NSZ309
X	POWER AMP	R 0108	88-108-101-080	0E	C-RES,U 100-1/16W J	LHSCM	CX-SNSZ329
X	POWER AMP	R 0109	88-108-472-080	0E	C-RES,U 4.7K-1/16W J	HASC2M	CX-NSZ309
X	POWER AMP	R 0109	88-108-472-080	0E	C-RES,U 4.7K-1/16W J	LHSCM	CX-SNSZ329
X	POWER AMP	R 0110	88-108-472-080	0E	C-RES,U 4.7K-1/16W J	HASC2M	CX-NSZ309
X	POWER AMP	R 0110	88-108-472-080	0E	C-RES,U 4.7K-1/16W J	LHSCM	CX-SNSZ329
X	POWER AMP	R 0111	88-118-102-080	0E	C-RES,S 1K-1/10W J	HASC2M	CX-NSZ309
X	POWER AMP	R 0111	88-118-102-080	0E	C-RES,S 1K-1/10W J	LHSCM	CX-SNSZ329
X	POWER AMP	R 0112	88-118-102-080	0E	C-RES,S 1K-1/10W J	HASC2M	CX-NSZ309
X	POWER AMP	R 0112	88-118-102-080	0E	C-RES,S 1K-1/10W J	LHSCM	CX-SNSZ329
X	POWER AMP	R 0113	88-118-273-080	0E	C-RES,S 27K-1/10W J	HASC2M	CX-NSZ309
X	POWER AMP	R 0113	88-118-273-080	0E	C-RES,S 27K-1/10W J	LHSCM	CX-SNSZ329
X	POWER AMP	R 0114	88-118-273-080	0E	C-RES,S 27K-1/10W J	HASC2M	CX-NSZ309
X	POWER AMP	R 0114	88-118-273-080	0E	C-RES,S 27K-1/10W J	LHSCM	CX-SNSZ329
X	POWER AMP	R 0115	88-128-222-080	0E	C-RES, 2.2K-1/8W J	HASC2M	CX-NSZ309
X	POWER AMP	R 0115	88-128-222-080	0E	C-RES, 2.2K-1/8W J	LHSCM	CX-SNSZ329
X	POWER AMP	R 0116	88-128-222-080	0E	C-RES, 2.2K-1/8W J	HASC2M	CX-NSZ309
X	POWER AMP	R 0116	88-128-222-080	0E	C-RES, 2.2K-1/8W J	LHSCM	CX-SNSZ329
X	POWER AMP	R 0117	88-108-103-080	0E	C-RES,U 10K-1/16W J	HASC2M	CX-NSZ309
X	POWER AMP	R 0117	88-108-103-080	0E	C-RES,U 10K-1/16W J	LHSCM	CX-SNSZ329
X	POWER AMP	R 0118	88-108-103-080	0E	C-RES,U 10K-1/16W J	HASC2M	CX-NSZ309
X	POWER AMP	R 0118	88-108-103-080	0E	C-RES,U 10K-1/16W J	LHSCM	CX-SNSZ329
X	POWER AMP	R 0119	88-118-101-080	0E	C-RES,S 100-1/10W J	HASC2M	CX-NSZ309
X	POWER AMP	R 0119	88-118-101-080	0E	C-RES,S 100-1/10W J	LHSCM	CX-SNSZ329
X	POWER AMP	R 0120	88-118-101-080	0E	C-RES,S 100-1/10W J	HASC2M	CX-NSZ309
X	POWER AMP	R 0120	88-118-101-080	0E	C-RES,S 100-1/10W J	LHSCM	CX-SNSZ329
X	POWER AMP	R 0121	88-118-101-080	0E	C-RES,S 100-1/10W J	HASC2M	CX-NSZ309
X	POWER AMP	R 0121	88-118-101-080	0E	C-RES,S 100-1/10W J	LHSCM	CX-SNSZ329
X	POWER AMP	R 0122	88-118-101-080	0E	C-RES,S 100-1/10W J	HASC2M	CX-NSZ309
X	POWER AMP	R 0122	88-118-101-080	0E	C-RES,S 100-1/10W J	LHSCM	CX-SNSZ329
X	POWER AMP	R 0123	88-128-222-080	0E	C-RES, 2.2K-1/8W J	HASC2M	CX-NSZ309
X	POWER AMP	R 0123	88-128-222-080	0E	C-RES, 2.2K-1/8W J	LHSCM	CX-SNSZ329
X	POWER AMP	R 0124	88-128-222-080	0E	C-RES, 2.2K-1/8W J	HASC2M	CX-NSZ309
X	POWER AMP	R 0124	88-128-222-080	0E	C-RES, 2.2K-1/8W J	LHSCM	CX-SNSZ329
X	POWER AMP	R 0125	88-128-102-080	0E	C-RES, 1K-1/8W J	HASC2M	CX-NSZ309
X	POWER AMP	R 0125	88-128-102-080	0E	C-RES, 1K-1/8W J	LHSCM	CX-SNSZ329
X	POWER AMP	R 0126	88-128-102-080	0E	C-RES, 1K-1/8W J	HASC2M	CX-NSZ309
X	POWER AMP	R 0126	88-128-102-080	0E	C-RES, 1K-1/8W J	LHSCM	CX-SNSZ329
X	POWER AMP	R 0127	88-118-390-080	0E	C-RES,S 39-1/10W J	HASC2M	CX-NSZ309
X	POWER AMP	R 0127	88-118-390-080	0E	C-RES,S 39-1/10W J	LHSCM	CX-SNSZ329
X	POWER AMP	R 0128	88-118-390-080	0E	C-RES,S 39-1/10W J	HASC2M	CX-NSZ309
X	POWER AMP	R 0128	88-118-390-080	0E	C-RES,S 39-1/10W J	LHSCM	CX-SNSZ329
O	POWER AMP	R 0129	87-A00-262-080	0E	RES,M/F 0.15-2W J	HASC2M	CX-NSZ309
O	POWER AMP	R 0129	87-A00-262-080	0E	RES,M/F 0.15-2W J	LHSCM	CX-SNSZ329
O	POWER AMP	R 0130	87-A00-262-080	0E	RES,M/F 0.15-2W J	HASC2M	CX-NSZ309
O	POWER AMP	R 0130	87-A00-262-080	0E	RES,M/F 0.15-2W J	LHSCM	CX-SNSZ329
O	POWER AMP	R 0131	87-A00-262-080	0E	RES,M/F 0.15-2W J	HASC2M	CX-NSZ309
O	POWER AMP	R 0131	87-A00-262-080	0E	RES,M/F 0.15-2W J	LHSCM	CX-SNSZ329
O	POWER AMP	R 0132	87-A00-262-080	0E	RES,M/F 0.15-2W J	HASC2M	CX-NSZ309
O	POWER AMP	R 0132	87-A00-262-080	0E	RES,M/F 0.15-2W J	LHSCM	CX-SNSZ329
X	POWER AMP	R 0133	88-108-472-080	0E	C-RES,U 4.7K-1/16W J	HASC2M	CX-NSZ309
X	POWER AMP	R 0133	88-108-472-080	0E	C-RES,U 4.7K-1/16W J	LHSCM	CX-SNSZ329
X	POWER AMP	R 0134	88-108-472-080	0E	C-RES,U 4.7K-1/16W J	HASC2M	CX-NSZ309
X	POWER AMP	R 0134	88-108-472-080	0E	C-RES,U 4.7K-1/16W J	LHSCM	CX-SNSZ329
X	POWER AMP	R 0135	88-108-152-080	0E	C-RES,U 1.5K-1/16W J	HASC2M	CX-NSZ309
X	POWER AMP	R 0135	88-108-152-080	0E	C-RES,U 1.5K-1/16W J	LHSCM	CX-SNSZ329
X	POWER AMP	R 0136	88-108-152-080	0E	C-RES,U 1.5K-1/16W J	HASC2M	CX-NSZ309
X	POWER AMP	R 0136	88-108-152-080	0E	C-RES,U 1.5K-1/16W J	LHSCM	CX-SNSZ329
X	POWER AMP	R 0137	88-108-101-080	0E	C-RES,U 100-1/16W J	HASC2M	CX-NSZ309
X	POWER AMP	R 0137	88-108-101-080	0E	C-RES,U 100-1/16W J	LHSCM	CX-SNSZ329
X	POWER AMP	R 0138	88-108-101-080	0E	C-RES,U 100-1/16W J	HASC2M	CX-NSZ309

# PARTS LIST

! =  $\Delta$  SAFTY PARTS  
 C = Components marked

All components used on this model at the production line are shown in this service manual.

However, please note that not all components will be available as spare parts for after-sales service.

Components marked S and O are designated as spare parts for service and will be stocked at the spare parts centers.

Components marked X and R are not designated as spare parts for after sales service, and will not be stocked at the spare parts centers.

K NO. = Only use Japanese.

! C	UNIT NAME	REF NO.	PARTS CODE	K NO.	DESCRIPTION	SUFFIX	MODEL NAME
X	POWER AMP	R 0138	88-108-101-080	OE	C-RES,U 100-1/16W J	LHSCM	CX-SNSZ329
X	POWER AMP	R 0141	88-118-102-080	OE	C-RES,S 1K-1/10W J	HASC2M	CX-NSZ309
X	POWER AMP	R 0141	88-118-102-080	OE	C-RES,S 1K-1/10W J	LHSCM	CX-SNSZ329
X	POWER AMP	R 0142	88-118-102-080	OE	C-RES,S 1K-1/10W J	HASC2M	CX-NSZ309
X	POWER AMP	R 0142	88-118-102-080	OE	C-RES,S 1K-1/10W J	LHSCM	CX-SNSZ329
X	POWER AMP	R 0151	88-108-473-080	OE	C-RES,U 47K-1/16W J	HASC2M	CX-NSZ309
X	POWER AMP	R 0151	88-108-473-080	OE	C-RES,U 47K-1/16W J	LHSCM	CX-SNSZ329
X	POWER AMP	R 0152	88-108-473-080	OE	C-RES,U 47K-1/16W J	HASC2M	CX-NSZ309
X	POWER AMP	R 0152	88-108-473-080	OE	C-RES,U 47K-1/16W J	LHSCM	CX-SNSZ329
X	POWER AMP	R 0153	88-118-390-080	OE	C-RES,S 39-1/10W J	HASC2M	CX-NSZ309
X	POWER AMP	R 0153	88-118-390-080	OE	C-RES,S 39-1/10W J	LHSCM	CX-SNSZ329
X	POWER AMP	R 0154	88-118-390-080	OE	C-RES,S 39-1/10W J	HASC2M	CX-NSZ309
X	POWER AMP	R 0154	88-118-390-080	OE	C-RES,S 39-1/10W J	LHSCM	CX-SNSZ329
X	POWER AMP	R 0155	88-108-822-080	OE	C-RES,U 8.2K-1/16W J	HASC2M	CX-NSZ309
X	POWER AMP	R 0155	88-108-822-080	OE	C-RES,U 8.2K-1/16W J	LHSCM	CX-SNSZ329
X	POWER AMP	R 0156	88-108-822-080	OE	C-RES,U 8.2K-1/16W J	HASC2M	CX-NSZ309
X	POWER AMP	R 0156	88-108-822-080	OE	C-RES,U 8.2K-1/16W J	LHSCM	CX-SNSZ329
X	POWER AMP	R 0157	88-108-472-080	OE	C-RES,U 4.7K-1/16W J	HASC2M	CX-NSZ309
X	POWER AMP	R 0157	88-108-472-080	OE	C-RES,U 4.7K-1/16W J	LHSCM	CX-SNSZ329
X	POWER AMP	R 0158	88-128-272-080	OE	C-RES, 2.7K-1/8W J	HASC2M	CX-NSZ309
X	POWER AMP	R 0158	88-128-272-080	OE	C-RES, 2.7K-1/8W J	LHSCM	CX-SNSZ329
X	POWER AMP	R 0159	88-108-103-080	OE	C-RES,U 10K-1/16W J	HASC2M	CX-NSZ309
X	POWER AMP	R 0159	88-108-103-080	OE	C-RES,U 10K-1/16W J	LHSCM	CX-SNSZ329
X	POWER AMP	R 0160	88-121-103-080	OE	RES,10K-1/8W J	HASC2M	CX-NSZ309
X	POWER AMP	R 0160	88-121-103-080	OE	RES,10K-1/8W J	LHSCM	CX-SNSZ329
X	POWER AMP	R 0161	88-108-472-080	OE	C-RES,U 4.7K-1/16W J	HASC2M	CX-NSZ309
X	POWER AMP	R 0161	88-108-472-080	OE	C-RES,U 4.7K-1/16W J	LHSCM	CX-SNSZ329
X	POWER AMP	R 0162	88-108-472-080	OE	C-RES,U 4.7K-1/16W J	HASC2M	CX-NSZ309
X	POWER AMP	R 0162	88-108-472-080	OE	C-RES,U 4.7K-1/16W J	LHSCM	CX-SNSZ329
X	POWER AMP	R 0163	88-108-472-080	OE	C-RES,U 4.7K-1/16W J	HASC2M	CX-NSZ309
X	POWER AMP	R 0163	88-108-472-080	OE	C-RES,U 4.7K-1/16W J	LHSCM	CX-SNSZ329
X	POWER AMP	R 0164	88-108-472-080	OE	C-RES,U 4.7K-1/16W J	HASC2M	CX-NSZ309
X	POWER AMP	R 0164	88-108-472-080	OE	C-RES,U 4.7K-1/16W J	LHSCM	CX-SNSZ329
X	POWER AMP	R 0165	88-118-152-080	OE	C-RES,S 1.5K-1/10W J	HASC2M	CX-NSZ309
X	POWER AMP	R 0165	88-118-152-080	OE	C-RES,S 1.5K-1/10W J	LHSCM	CX-SNSZ329
X	POWER AMP	R 0166	88-118-152-080	OE	C-RES,S 1.5K-1/10W J	HASC2M	CX-NSZ309
X	POWER AMP	R 0166	88-118-152-080	OE	C-RES,S 1.5K-1/10W J	LHSCM	CX-SNSZ329
X	POWER AMP	R 0167	88-108-103-080	OE	C-RES,U 10K-1/16W J	HASC2M	CX-NSZ309
X	POWER AMP	R 0167	88-108-103-080	OE	C-RES,U 10K-1/16W J	LHSCM	CX-SNSZ329
X	POWER AMP	R 0168	88-118-473-080	OE	C-RES,S 47K-1/10W J	HASC2M	CX-NSZ309
X	POWER AMP	R 0168	88-118-473-080	OE	C-RES,S 47K-1/10W J	LHSCM	CX-SNSZ329
X	POWER AMP	R 0169	88-118-271-080	OE	C-RES,S 270-1/10W J	HASC2M	CX-NSZ309
X	POWER AMP	R 0169	88-118-271-080	OE	C-RES,S 270-1/10W J	LHSCM	CX-SNSZ329
X	POWER AMP	R 0170	88-118-271-080	OE	C-RES,S 270-1/10W J	HASC2M	CX-NSZ309
X	POWER AMP	R 0170	88-118-271-080	OE	C-RES,S 270-1/10W J	LHSCM	CX-SNSZ329
X	POWER AMP	R 0171	88-118-222-080	OE	C-RES,S 2.2K-1/10W J	HASC2M	CX-NSZ309
X	POWER AMP	R 0171	88-118-222-080	OE	C-RES,S 2.2K-1/10W J	LHSCM	CX-SNSZ329
X	POWER AMP	R 0172	88-118-222-080	OE	C-RES,S 2.2K-1/10W J	HASC2M	CX-NSZ309
X	POWER AMP	R 0172	88-118-222-080	OE	C-RES,S 2.2K-1/10W J	LHSCM	CX-SNSZ329
X	POWER AMP	R 0173	88-118-152-080	OE	C-RES,S 1.5K-1/10W J	HASC2M	CX-NSZ309
X	POWER AMP	R 0173	88-118-152-080	OE	C-RES,S 1.5K-1/10W J	LHSCM	CX-SNSZ329
X	POWER AMP	R 0174	88-118-152-080	OE	C-RES,S 1.5K-1/10W J	HASC2M	CX-NSZ309
X	POWER AMP	R 0174	88-118-152-080	OE	C-RES,S 1.5K-1/10W J	LHSCM	CX-SNSZ329
X	POWER AMP	R 0175	88-118-331-080	OE	C-RES,S 330-1/10W J	HASC2M	CX-NSZ309
X	POWER AMP	R 0175	88-118-331-080	OE	C-RES,S 330-1/10W J	LHSCM	CX-SNSZ329
X	POWER AMP	R 0176	88-118-331-080	OE	C-RES,S 330-1/10W J	HASC2M	CX-NSZ309
X	POWER AMP	R 0176	88-118-331-080	OE	C-RES,S 330-1/10W J	LHSCM	CX-SNSZ329
X	POWER AMP	R 0177	88-128-222-080	OE	C-RES, 2.2K-1/8W J	HASC2M	CX-NSZ309
X	POWER AMP	R 0177	88-128-222-080	OE	C-RES, 2.2K-1/8W J	LHSCM	CX-SNSZ329
X	POWER AMP	R 0178	88-118-103-080	OE	C-RES,S 10K-1/10W J	HASC2M	CX-NSZ309
X	POWER AMP	R 0178	88-118-103-080	OE	C-RES,S 10K-1/10W J	LHSCM	CX-SNSZ329
X	POWER AMP	R 0179	88-108-103-080	OE	C-RES,U 10K-1/16W J	HASC2M	CX-NSZ309
X	POWER AMP	R 0179	88-108-103-080	OE	C-RES,U 10K-1/16W J	LHSCM	CX-SNSZ329
X	POWER AMP	R 0180	88-108-103-080	OE	C-RES,U 10K-1/16W J	HASC2M	CX-NSZ309
X	POWER AMP	R 0180	88-108-103-080	OE	C-RES,U 10K-1/16W J	LHSCM	CX-SNSZ329
X	POWER AMP	R 0184	88-118-102-080	OE	C-RES,S 1K-1/10W J	HASC2M	CX-NSZ309
X	POWER AMP	R 0184	88-118-102-080	OE	C-RES,S 1K-1/10W J	LHSCM	CX-SNSZ329
X	POWER AMP	R 0185	88-108-332-080	OE	C-RES,U 3.3K-1/16W J	HASC2M	CX-NSZ309
X	POWER AMP	R 0185	88-108-332-080	OE	C-RES,U 3.3K-1/16W J	LHSCM	CX-SNSZ329
X	POWER AMP	R 0186	88-118-102-080	OE	C-RES,S 1K-1/10W J	HASC2M	CX-NSZ309

# PARTS LIST

! =  $\Delta$  SAFTY PARTS  
 C = Components marked

All components used on this model at the production line are shown in this service manual.

However, please note that not all components will be available as spare parts for after-sales service.

Components marked S and O are designated as spare parts for service and will be stocked at the spare parts centers.

Components marked X and R are not designated as spare parts for after sales service, and will not be stocked at the spare parts centers.

K NO. = Only use Japanese.

! C	UNIT NAME	REF NO.	PARTS CODE	K NO.	DESCRIPTION	SUFFIX	MODEL NAME
X	POWER AMP	R 0186	88-118-102-080	0E	C-RES, S 1K-1/10W J	LHSCM	CX-SNSZ329
X	POWER AMP	R 0187	88-118-103-080	0E	C-RES, S 10K-1/10W J	HASC2M	CX-NSZ309
X	POWER AMP	R 0187	88-118-103-080	0E	C-RES, S 10K-1/10W J	LHSCM	CX-SNSZ329
X	POWER AMP	R 0188	88-118-222-080	0E	C-RES, S 2.2K-1/10W J	HASC2M	CX-NSZ309
X	POWER AMP	R 0188	88-118-222-080	0E	C-RES, S 2.2K-1/10W J	LHSCM	CX-SNSZ329
X	POWER AMP	R 0189	88-128-272-080	0E	C-RES, 2.7K-1/8W J	HASC2M	CX-NSZ309
X	POWER AMP	R 0189	88-128-272-080	0E	C-RES, 2.7K-1/8W J	LHSCM	CX-SNSZ329
X	POWER AMP	R 0190	88-128-272-080	0E	C-RES, 2.7K-1/8W J	HASC2M	CX-NSZ309
X	POWER AMP	R 0190	88-128-272-080	0E	C-RES, 2.7K-1/8W J	LHSCM	CX-SNSZ329
X	POWER AMP	R 0192	88-128-222-080	0E	C-RES, 2.2K-1/8W J	HASC2M	CX-NSZ309
X	POWER AMP	R 0192	88-128-222-080	0E	C-RES, 2.2K-1/8W J	LHSCM	CX-SNSZ329
X	POWER AMP	R 0193	88-108-103-080	0E	C-RES, U 10K-1/16W J	HASC2M	CX-NSZ309
X	POWER AMP	R 0193	88-108-103-080	0E	C-RES, U 10K-1/16W J	LHSCM	CX-SNSZ329
X	POWER AMP	R 0194	88-108-103-080	0E	C-RES, U 10K-1/16W J	HASC2M	CX-NSZ309
X	POWER AMP	R 0194	88-108-103-080	0E	C-RES, U 10K-1/16W J	LHSCM	CX-SNSZ329
X	POWER AMP	R 0195	88-108-473-080	0E	C-RES, U 47K-1/16W J	HASC2M	CX-NSZ309
X	POWER AMP	R 0195	88-108-473-080	0E	C-RES, U 47K-1/16W J	LHSCM	CX-SNSZ329
X	POWER AMP	R 0196	88-108-473-080	0E	C-RES, U 47K-1/16W J	HASC2M	CX-NSZ309
X	POWER AMP	R 0196	88-108-473-080	0E	C-RES, U 47K-1/16W J	LHSCM	CX-SNSZ329
X	POWER AMP	R 0197	88-108-473-080	0E	C-RES, U 47K-1/16W J	HASC2M	CX-NSZ309
X	POWER AMP	R 0197	88-108-473-080	0E	C-RES, U 47K-1/16W J	LHSCM	CX-SNSZ329
X	POWER AMP	R 0198	88-108-473-080	0E	C-RES, U 47K-1/16W J	HASC2M	CX-NSZ309
X	POWER AMP	R 0198	88-108-473-080	0E	C-RES, U 47K-1/16W J	LHSCM	CX-SNSZ329
X	POWER AMP	R 0199	88-108-225-080	0E	C-RES, U 2.2M-1/16W J	HASC2M	CX-NSZ309
X	POWER AMP	R 0199	88-108-225-080	0E	C-RES, U 2.2M-1/16W J	LHSCM	CX-SNSZ329
O	POWER AMP	R 0243	87-A01-001-050	0E	RES, 220-1/2W J BLT2J	HASC2M	CX-NSZ309
O	POWER AMP	R 0243	87-A01-001-050	0E	RES, 220-1/2W J BLT2J	LHSCM	CX-SNSZ329
O	POWER AMP	R 0244	87-A01-001-050	0E	RES, 220-1/2W J BLT2J	HASC2M	CX-NSZ309
O	POWER AMP	R 0244	87-A01-001-050	0E	RES, 220-1/2W J BLT2J	LHSCM	CX-SNSZ329
O	POWER AMP	R 0245	87-A01-002-050	0E	RES, 270-1/2W J BLT2J	HASC2M	CX-NSZ309
O	POWER AMP	R 0245	87-A01-002-050	0E	RES, 270-1/2W J BLT2J	LHSCM	CX-SNSZ329
O	POWER AMP	R 0246	87-A01-002-050	0E	RES, 270-1/2W J BLT2J	HASC2M	CX-NSZ309
O	POWER AMP	R 0246	87-A01-002-050	0E	RES, 270-1/2W J BLT2J	LHSCM	CX-SNSZ329
X	POWER AMP	R 0247	88-130-100-080	0E	RES, 10-1/4W J	HASC2M	CX-NSZ309
X	POWER AMP	R 0247	88-130-100-080	0E	RES, 10-1/4W J	LHSCM	CX-SNSZ329
X	POWER AMP	R 0248	88-130-100-080	0E	RES, 10-1/4W J	HASC2M	CX-NSZ309
X	POWER AMP	R 0248	88-130-100-080	0E	RES, 10-1/4W J	LHSCM	CX-SNSZ329
X	POWER AMP	R 0249	88-128-100-080	0E	C-RES, 10-1/8W J	HASC2M	CX-NSZ309
X	POWER AMP	R 0249	88-128-100-080	0E	C-RES, 10-1/8W J	LHSCM	CX-SNSZ329
X	POWER AMP	R 0250	88-121-100-080	0E	RES, 10-1/8W J	HASC2M	CX-NSZ309
X	POWER AMP	R 0250	88-121-100-080	0E	RES, 10-1/8W J	LHSCM	CX-SNSZ329
X	POWER AMP	R 0265	88-128-222-080	0E	C-RES, 2.2K-1/8W J	HASC2M	CX-NSZ309
X	POWER AMP	R 0265	88-128-222-080	0E	C-RES, 2.2K-1/8W J	LHSCM	CX-SNSZ329
X	POWER AMP	R 0266	88-128-222-080	0E	C-RES, 2.2K-1/8W J	HASC2M	CX-NSZ309
X	POWER AMP	R 0266	88-128-222-080	0E	C-RES, 2.2K-1/8W J	LHSCM	CX-SNSZ329
O	POWER AMP	TH 0101	87-A91-042-080	0E	C-THMS, 100K 55001	HASC2M	CX-NSZ309
O	POWER AMP	TH 0101	87-A91-042-080	0E	C-THMS, 100K 55001	LHSCM	CX-SNSZ329
O	POWER AMP	TH 0102	87-A91-042-080	0E	C-THMS, 100K 55001	HASC2M	CX-NSZ309
O	POWER AMP	TH 0102	87-A91-042-080	0E	C-THMS, 100K 55001	LHSCM	CX-SNSZ329
X	PRINTED DU		87-B40-427-010	0E	BAG, PV 0.04-200-350 PL-SPA	HASC2M	CX-NSZ309
X	PT	*	8B-NF9-641-010	1	PWB, PT 66-55 2M (MSIA)	HASC2M	CX-NSZ309
X	PT	*	8B-NF9-641-010	1B	PWB, PT 66-55 2M (MSIA)	LHSCM	CX-SNSZ329
!	O PT	CN 0001	87-A61-110-010	0E	CONN, 9P V TID-A	HASC2M	CX-NSZ309
!	O PT	CN 0001	87-A61-110-010	0E	CONN, 9P V TID-A	LHSCM	CX-SNSZ329
S	PT	D 0002	87-A40-291-080	0E	DIODE, 1N4148M (CPT)	HASC2M	CX-NSZ309
S	PT	D 0002	87-A40-291-080	0E	DIODE, 1N4148M (CPT)	LHSCM	CX-SNSZ329
S	PT	D 0003	87-A40-291-080	0E	DIODE, 1N4148M (CPT)	HASC2M	CX-NSZ309
S	PT	D 0003	87-A40-291-080	0E	DIODE, 1N4148M (CPT)	LHSCM	CX-SNSZ329
S	PT	D 0004	87-A40-291-080	0E	DIODE, 1N4148M (CPT)	HASC2M	CX-NSZ309
S	PT	D 0004	87-A40-291-080	0E	DIODE, 1N4148M (CPT)	LHSCM	CX-SNSZ329
S	PT	D 0005	87-A40-291-080	0E	DIODE, 1N4148M (CPT)	HASC2M	CX-NSZ309
S	PT	D 0005	87-A40-291-080	0E	DIODE, 1N4148M (CPT)	LHSCM	CX-SNSZ329
!	O PT	PT 0002	8B-MA6-673-010	1B	PT, SUB BMA H (VRK)	HASC2M	CX-NSZ309
!	O PT	PT 0002	8B-MA6-673-010	1B	PT, SUB BMA H (VRK)	LHSCM	CX-SNSZ329
!	O PT	RY 0001	87-A91-339-010	1B	RELAY, AC DC12V G5PA-2	HASC2M	CX-NSZ309
!	O PT	RY 0001	87-A91-339-010	1B	RELAY, AC DC12V G5PA-2	LHSCM	CX-SNSZ329
!	O PT	S 0001	87-A90-165-010	1A	SW, SL 1-2-3 SWS2301	HASC2M	CX-NSZ309
!	O PT	S 0001	87-A90-165-010	1A	SW, SL 1-2-3 SWS2301	LHSCM	CX-SNSZ329
O	PT	T 0001	87-A60-317-010	0E	TERMINAL, 1P MSC	HASC2M	CX-NSZ309
O	PT	T 0001	87-A60-317-010	0E	TERMINAL, 1P MSC	LHSCM	CX-SNSZ329



# PARTS LIST

! =  $\Delta$  SAFTY PARTS  
 C = Components marked

All components used on this model at the production line are shown in this service manual.

However, please note that not all components will be available as spare parts for after-sales service.

Components marked S and O are designated as spare parts for service and will be stocked at the spare parts centers.

Components marked X and R are not designated as spare parts for after sales service, and will not be stocked at the spare parts centers.

K NO. = Only use Japanese.

! C	UNIT NAME	REF NO.	PARTS CODE	K NO.	DESCRIPTION	SUFFIX	MODEL NAME
O	PT	T 0002	87-A60-317-010	0E	TERMINAL, 1P MSC	HASC2M	CX-NSZ309
O	PT	T 0002	87-A60-317-010	0E	TERMINAL, 1P MSC	LHSCM	CX-SNSZ329
O	SCREW		87-067-584-010	0E	BVT2+3-6 W/O SLOt	HASC2M	CX-NSZ309
O	SCREW		87-067-584-010	0E	BVT2+3-6 W/O SLOt	LHSCM	CX-SNSZ329
O	SCREW		87-067-641-010	0E	UTT2+3-8 W/O SLOt BLK	HASC2M	CX-NSZ309
O	SCREW		87-067-641-010	0E	UTT2+3-8 W/O SLOt BLK	LHSCM	CX-SNSZ329
O	SCREW		87-067-689-010	0E	BVTT+3-8	HASC2M	CX-NSZ309
O	SCREW		87-067-689-010	0E	BVTT+3-8	LHSCM	CX-SNSZ329
O	SCREW		87-067-703-010	0E	BVT2+3-10 W/O SLOt	HASC2M	CX-NSZ309
O	SCREW		87-067-703-010	0E	BVT2+3-10 W/O SLOt	LHSCM	CX-SNSZ329
O	SCREW		87-078-200-010	0E	S-SCREW, ITC+4-8 R	HASC2M	CX-NSZ309
O	SCREW		87-078-200-010	0E	S-SCREW, ITC+4-8 R	LHSCM	CX-SNSZ329
O	SCREW		87-721-096-410	0E	QT2+3-10 W/O SLOt	HASC2M	CX-NSZ309
O	SCREW		87-721-096-410	0E	QT2+3-10 W/O SLOt	LHSCM	CX-SNSZ329
O	SCREW		87-721-097-410	0E	QT2+3-12 W/O SLOt	HASC2M	CX-NSZ309
O	SCREW		87-721-097-410	0E	QT2+3-12 W/O SLOt	LHSCM	CX-SNSZ329
O	SCREW		87-NF4-224-010	0E	S-SCREW, IT3B+3-8 CU	HASC2M	CX-NSZ309
O	SCREW		87-NF4-224-010	0E	S-SCREW, IT3B+3-8 CU	LHSCM	CX-SNSZ329
!	X TAPE		M8-ZZM-393-030	--	ZZM-3 YPR1NM	HASC2M	CX-NSZ309
!	X TAPE		M8-ZZM-393-030	--	ZZM-3 YPR1NM	LHSCM	CX-SNSZ329
O	TAPE DECK	C 0301	87-012-275-080	0E	C-CAP,U 1200P-50 K B GRM	HASC2M	CX-NSZ309
O	TAPE DECK	C 0301	87-012-275-080	0E	C-CAP,U 1200P-50 K B GRM	LHSCM	CX-SNSZ329
O	TAPE DECK	C 0302	87-012-275-080	0E	C-CAP,U 1200P-50 K B GRM	HASC2M	CX-NSZ309
O	TAPE DECK	C 0302	87-012-275-080	0E	C-CAP,U 1200P-50 K B GRM	LHSCM	CX-SNSZ329
O	TAPE DECK	C 0303	87-012-275-080	0E	C-CAP,U 1200P-50 K B GRM	HASC2M	CX-NSZ309
O	TAPE DECK	C 0303	87-012-275-080	0E	C-CAP,U 1200P-50 K B GRM	LHSCM	CX-SNSZ329
O	TAPE DECK	C 0304	87-012-275-080	0E	C-CAP,U 1200P-50 K B GRM	HASC2M	CX-NSZ309
O	TAPE DECK	C 0304	87-012-275-080	0E	C-CAP,U 1200P-50 K B GRM	LHSCM	CX-SNSZ329
O	TAPE DECK	C 0307	87-A12-062-080	0E	CAP,E 100-10 SMG	HASC2M	CX-NSZ309
O	TAPE DECK	C 0307	87-A12-062-080	0E	CAP,E 100-10 SMG	LHSCM	CX-SNSZ329
O	TAPE DECK	C 0308	87-A12-062-080	0E	CAP,E 100-10 SMG	HASC2M	CX-NSZ309
O	TAPE DECK	C 0308	87-A12-062-080	0E	CAP,E 100-10 SMG	LHSCM	CX-SNSZ329
O	TAPE DECK	C 0309	87-012-188-080	0E	C-CAP,U 47P-50 J CH	HASC2M	CX-NSZ309
O	TAPE DECK	C 0309	87-012-188-080	0E	C-CAP,U 47P-50 J CH	LHSCM	CX-SNSZ329
O	TAPE DECK	C 0310	87-012-188-080	0E	C-CAP,U 47P-50 J CH	HASC2M	CX-NSZ309
O	TAPE DECK	C 0310	87-012-188-080	0E	C-CAP,U 47P-50 J CH	LHSCM	CX-SNSZ329
O	TAPE DECK	C 0313	87-012-284-080	0E	C-CAP,U 6800P-50 K B GRM	HASC2M	CX-NSZ309
O	TAPE DECK	C 0313	87-012-284-080	0E	C-CAP,U 6800P-50 K B GRM	LHSCM	CX-SNSZ329
O	TAPE DECK	C 0314	87-012-284-080	0E	C-CAP,U 6800P-50 K B GRM	HASC2M	CX-NSZ309
O	TAPE DECK	C 0314	87-012-284-080	0E	C-CAP,U 6800P-50 K B GRM	LHSCM	CX-SNSZ329
O	TAPE DECK	C 0315	87-A12-062-080	0E	CAP,E 100-10 SMG	HASC2M	CX-NSZ309
O	TAPE DECK	C 0315	87-A12-062-080	0E	CAP,E 100-10 SMG	LHSCM	CX-SNSZ329
O	TAPE DECK	C 0317	87-A12-085-080	0E	CAP,E 0.33-50 SMG	HASC2M	CX-NSZ309
O	TAPE DECK	C 0317	87-A12-085-080	0E	CAP,E 0.33-50 SMG	LHSCM	CX-SNSZ329
O	TAPE DECK	C 0318	87-A12-085-080	0E	CAP,E 0.33-50 SMG	HASC2M	CX-NSZ309
O	TAPE DECK	C 0318	87-A12-085-080	0E	CAP,E 0.33-50 SMG	LHSCM	CX-SNSZ329
O	TAPE DECK	C 0326	87-010-787-080	0E	C-CAP,U 0.022-25 K B	HASC2M	CX-NSZ309
O	TAPE DECK	C 0326	87-010-787-080	0E	C-CAP,U 0.022-25 K B	LHSCM	CX-SNSZ329
O	TAPE DECK	C 0327	87-010-831-080	0E	C-CAP,U 0.1-16 Z F	HASC2M	CX-NSZ309
O	TAPE DECK	C 0327	87-010-831-080	0E	C-CAP,U 0.1-16 Z F	LHSCM	CX-SNSZ329
O	TAPE DECK	C 0360	87-A12-087-080	0E	CAP,E 1-50 SMG	HASC2M	CX-NSZ309
O	TAPE DECK	C 0360	87-A12-087-080	0E	CAP,E 1-50 SMG	LHSCM	CX-SNSZ329
O	TAPE DECK	C 0399	87-A10-039-080	0E	C-CAP,U 470P-50 J CH	HASC2M	CX-NSZ309
O	TAPE DECK	C 0399	87-A10-039-080	0E	C-CAP,U 470P-50 J CH	LHSCM	CX-SNSZ329
O	TAPE DECK	C 0401	87-A12-083-080	0E	CAP,E 0.1-50 SMG	HASC2M	CX-NSZ309
O	TAPE DECK	C 0401	87-A12-083-080	0E	CAP,E 0.1-50 SMG	LHSCM	CX-SNSZ329
O	TAPE DECK	C 0402	87-A12-083-080	0E	CAP,E 0.1-50 SMG	HASC2M	CX-NSZ309
O	TAPE DECK	C 0402	87-A12-083-080	0E	CAP,E 0.1-50 SMG	LHSCM	CX-SNSZ329
O	TAPE DECK	C 0403	87-012-193-080	0E	C-CAP,U 82P-50 J CH	HASC2M	CX-NSZ309
O	TAPE DECK	C 0403	87-012-193-080	0E	C-CAP,U 82P-50 J CH	LHSCM	CX-SNSZ329
O	TAPE DECK	C 0404	87-012-193-080	0E	C-CAP,U 82P-50 J CH	HASC2M	CX-NSZ309
O	TAPE DECK	C 0404	87-012-193-080	0E	C-CAP,U 82P-50 J CH	LHSCM	CX-SNSZ329
O	TAPE DECK	C 0405	87-012-286-080	0E	C-CAP,U 0.01-25 K B	HASC2M	CX-NSZ309
O	TAPE DECK	C 0405	87-012-286-080	0E	C-CAP,U 0.01-25 K B	LHSCM	CX-SNSZ329
O	TAPE DECK	C 0406	87-012-286-080	0E	C-CAP,U 0.01-25 K B	HASC2M	CX-NSZ309
O	TAPE DECK	C 0406	87-012-286-080	0E	C-CAP,U 0.01-25 K B	LHSCM	CX-SNSZ329
O	TAPE DECK	C 0407	87-012-286-080	0E	C-CAP,U 0.01-25 K B	HASC2M	CX-NSZ309
O	TAPE DECK	C 0407	87-012-286-080	0E	C-CAP,U 0.01-25 K B	LHSCM	CX-SNSZ329
O	TAPE DECK	C 0408	87-012-286-080	0E	C-CAP,U 0.01-25 K B	HASC2M	CX-NSZ309
O	TAPE DECK	C 0408	87-012-286-080	0E	C-CAP,U 0.01-25 K B	LHSCM	CX-SNSZ329

# PARTS LIST

! =  $\Delta$  SAFTY PARTS  
 C = Components marked

All components used on this model at the production line are shown in this service manual.

However, please note that not all components will be available as spare parts for after-sales service.

Components marked S and O are designated as spare parts for service and will be stocked at the spare parts centers.

Components marked X and R are not designated as spare parts for after sales service, and will not be stocked at the spare parts centers.

K NO. = Only use Japanese.

! C	UNIT NAME	REF NO.	PARTS CODE	K NO.	DESCRIPTION	SUFFIX	MODEL NAME
O	TAPE DECK	C 0409	87-012-278-080	0E	C-CAP,U 2200P-50 K B	HASC2M	CX-NSZ309
O	TAPE DECK	C 0409	87-012-278-080	0E	C-CAP,U 2200P-50 K B	LHSCM	CX-SNSZ329
O	TAPE DECK	C 0410	87-012-278-080	0E	C-CAP,U 2200P-50 K B	HASC2M	CX-NSZ309
O	TAPE DECK	C 0410	87-012-278-080	0E	C-CAP,U 2200P-50 K B	LHSCM	CX-SNSZ329
O	TAPE DECK	C 0411	87-A12-091-080	0E	CAP,E 10-50 SMG	HASC2M	CX-NSZ309
O	TAPE DECK	C 0411	87-A12-091-080	0E	CAP,E 10-50 SMG	LHSCM	CX-SNSZ329
O	TAPE DECK	C 0412	87-A12-091-080	0E	CAP,E 10-50 SMG	HASC2M	CX-NSZ309
O	TAPE DECK	C 0412	87-A12-091-080	0E	CAP,E 10-50 SMG	LHSCM	CX-SNSZ329
O	TAPE DECK	C 0452	87-A12-069-080	0E	CAP,E 22-25 SMG	HASC2M	CX-NSZ309
O	TAPE DECK	C 0452	87-A12-069-080	0E	CAP,E 22-25 SMG	LHSCM	CX-SNSZ329
O	TAPE DECK	C 0453	87-012-279-080	0E	C-CAP,U 2700P-50 K B GRM	HASC2M	CX-NSZ309
O	TAPE DECK	C 0453	87-012-279-080	0E	C-CAP,U 2700P-50 K B GRM	LHSCM	CX-SNSZ329
O	TAPE DECK	C 0454	87-012-279-080	0E	C-CAP,U 2700P-50 K B GRM	HASC2M	CX-NSZ309
O	TAPE DECK	C 0454	87-012-279-080	0E	C-CAP,U 2700P-50 K B GRM	LHSCM	CX-SNSZ329
O	TAPE DECK	C 0455	87-012-279-080	0E	C-CAP,U 2700P-50 K B GRM	HASC2M	CX-NSZ309
O	TAPE DECK	C 0455	87-012-279-080	0E	C-CAP,U 2700P-50 K B GRM	LHSCM	CX-SNSZ329
O	TAPE DECK	C 0456	87-012-286-080	0E	C-CAP,U 0.01-25 K B	HASC2M	CX-NSZ309
O	TAPE DECK	C 0456	87-012-286-080	0E	C-CAP,U 0.01-25 K B	LHSCM	CX-SNSZ329
O	TAPE DECK	C 0457	87-A12-361-080	0E	CAP,M 5600P-100 J CP	HASC2M	CX-NSZ309
O	TAPE DECK	C 0457	87-A12-361-080	0E	CAP,M 5600P-100 J CP	LHSCM	CX-SNSZ329
O	TAPE DECK	C 0458	87-012-274-080	0E	C-CAP,U 1000P-50 K B	HASC2M	CX-NSZ309
O	TAPE DECK	C 0458	87-012-274-080	0E	C-CAP,U 1000P-50 K B	LHSCM	CX-SNSZ329
O	TAPE DECK	C 0459	87-012-271-080	0E	C-CAP,U 560P-50 K B	HASC2M	CX-NSZ309
O	TAPE DECK	C 0459	87-012-271-080	0E	C-CAP,U 560P-50 K B	LHSCM	CX-SNSZ329
O	TAPE DECK	C 0460	87-010-831-080	0E	C-CAP,U 0.1-16 Z F	HASC2M	CX-NSZ309
O	TAPE DECK	C 0460	87-010-831-080	0E	C-CAP,U 0.1-16 Z F	LHSCM	CX-SNSZ329
O	TAPE DECK	C 0461	87-012-158-080	0E	C-CAP,S 390P-50 J CH GRM	HASC2M	CX-NSZ309
O	TAPE DECK	C 0461	87-012-158-080	0E	C-CAP,S 390P-50 J CH GRM	LHSCM	CX-SNSZ329
O	TAPE DECK	C 0462	87-012-158-080	0E	C-CAP,S 390P-50 J CH GRM	HASC2M	CX-NSZ309
O	TAPE DECK	C 0462	87-012-158-080	0E	C-CAP,S 390P-50 J CH GRM	LHSCM	CX-SNSZ329
O	TAPE DECK	C 0470	87-018-127-080	0E	CAP,TC U 470P-50 K B UP050	HASC2M	CX-NSZ309
O	TAPE DECK	C 0470	87-018-127-080	0E	CAP,TC U 470P-50 K B UP050	LHSCM	CX-SNSZ329
X	TAPE DECK	CLP0302	87-A60-884-010	0E	PIN,DIAL COATING-SHS	HASC2M	CX-NSZ309
X	TAPE DECK	CLP0302	87-A60-884-010	0E	PIN,DIAL COATING-SHS	LHSCM	CX-SNSZ329
O	TAPE DECK	CN 0301	87-A60-620-010	0E	CONN,3P V 2MM JMT	HASC2M	CX-NSZ309
O	TAPE DECK	CN 0301	87-A60-620-010	0E	CONN,3P V 2MM JMT	LHSCM	CX-SNSZ329
O	TAPE DECK	CN 0351	87-A60-625-010	0E	CONN,8P V 2MM JMT	HASC2M	CX-NSZ309
O	TAPE DECK	CN 0351	87-A60-625-010	0E	CONN,8P V 2MM JMT	LHSCM	CX-SNSZ329
S	TAPE DECK	D 0401	87-A40-291-080	0E	DIODE,1N4148M (CPT)	HASC2M	CX-NSZ309
S	TAPE DECK	D 0401	87-A40-291-080	0E	DIODE,1N4148M (CPT)	LHSCM	CX-SNSZ329
X	TAPE DECK	FB 0301	88-100-000-010	0E	PLATING-JW, 0.58 SN95	LHSCM	CX-SNSZ329
X	TAPE DECK	FB 0302	88-108-000-080	0E	C-JUMPER,U	HASC2M	CX-NSZ309
X	TAPE DECK	FB 0302	88-108-000-080	0E	C-JUMPER,U	LHSCM	CX-SNSZ329
S	TAPE DECK	IC 0301	87-A21-419-040	0E	C-IC,NJM14558MD-TE2	HASC2M	CX-NSZ309
S	TAPE DECK	IC 0301	87-A21-419-040	0E	C-IC,NJM14558MD-TE2	LHSCM	CX-SNSZ329
S	TAPE DECK	IC 0401	87-A21-893-040	1A	C-IC,NJM14558V-TE2	HASC2M	CX-NSZ309
S	TAPE DECK	IC 0401	87-A21-893-040	1A	C-IC,NJM14558V-TE2	LHSCM	CX-SNSZ329
X	TAPE DECK	JR 0302	88-129-000-080	0E	C-JUMPER, 3216	HASC2M	CX-NSZ309
X	TAPE DECK	JR 0302	88-129-000-080	0E	C-JUMPER, 3216	LHSCM	CX-SNSZ329
X	TAPE DECK	JR 0305	88-108-000-080	0E	C-JUMPER,U	HASC2M	CX-NSZ309
X	TAPE DECK	JR 0305	88-108-000-080	0E	C-JUMPER,U	LHSCM	CX-SNSZ329
X	TAPE DECK	JR 0306	88-108-000-080	0E	C-JUMPER,U	HASC2M	CX-NSZ309
X	TAPE DECK	JR 0306	88-108-000-080	0E	C-JUMPER,U	LHSCM	CX-SNSZ329
X	TAPE DECK	JR 0307	88-108-000-080	0E	C-JUMPER,U	HASC2M	CX-NSZ309
X	TAPE DECK	JR 0307	88-108-000-080	0E	C-JUMPER,U	LHSCM	CX-SNSZ329
X	TAPE DECK	JR 0401	88-129-000-080	0E	C-JUMPER, 3216	HASC2M	CX-NSZ309
X	TAPE DECK	JR 0401	88-129-000-080	0E	C-JUMPER, 3216	LHSCM	CX-SNSZ329
X	TAPE DECK	JR 0402	88-108-000-080	0E	C-JUMPER,U	HASC2M	CX-NSZ309
X	TAPE DECK	JR 0402	88-108-000-080	0E	C-JUMPER,U	LHSCM	CX-SNSZ329
X	TAPE DECK	JR 0403	88-129-000-080	0E	C-JUMPER, 3216	HASC2M	CX-NSZ309
X	TAPE DECK	JR 0403	88-129-000-080	0E	C-JUMPER, 3216	LHSCM	CX-SNSZ329
X	TAPE DECK	JR 0404	88-128-150-080	0E	C-RES, 15-1/8W J	HASC2M	CX-NSZ309
X	TAPE DECK	JR 0404	88-128-150-080	0E	C-RES, 15-1/8W J	LHSCM	CX-SNSZ329
O	TAPE DECK	L 0451	87-007-342-010	0E	COIL,OSC 85KHZ BIAS	HASC2M	CX-NSZ309
O	TAPE DECK	L 0451	87-007-342-010	0E	COIL,OSC 85KHZ BIAS	LHSCM	CX-SNSZ329
S	TAPE DECK	Q 0301	87-A30-091-080	1E	FET,2SJ460	HASC2M	CX-NSZ309
S	TAPE DECK	Q 0301	87-A30-091-080	1E	FET,2SJ460	LHSCM	CX-SNSZ329
S	TAPE DECK	Q 0302	87-A30-091-080	1E	FET,2SJ460	HASC2M	CX-NSZ309
S	TAPE DECK	Q 0302	87-A30-091-080	1E	FET,2SJ460	LHSCM	CX-SNSZ329
S	TAPE DECK	Q 0303	87-A30-090-080	0E	FET,2SK2541	HASC2M	CX-NSZ309

# PARTS LIST

! =  $\Delta$  SAFTY PARTS  
 C = Components marked

All components used on this model at the production line are shown in this service manual.

However, please note that not all components will be available as spare parts for after-sales service.

Components marked S and O are designated as spare parts for service and will be stocked at the spare parts centers.

Components marked X and R are not designated as spare parts for after sales service, and will not be stocked at the spare parts centers.

K NO. = Only use Japanese.

! C	UNIT NAME	REF NO.	PARTS CODE	K NO.	DESCRIPTION	SUFFIX	MODEL NAME	
S	TAPE DECK	Q	0303	87-A30-090-080	0E	FET,2SK2541	LHSCM	CX-SNSZ329
S	TAPE DECK	Q	0304	87-A30-090-080	0E	FET,2SK2541	HASC2M	CX-NSZ309
S	TAPE DECK	Q	0304	87-A30-090-080	0E	FET,2SK2541	LHSCM	CX-SNSZ329
S	TAPE DECK	Q	0305	87-A30-091-080	1E	FET,2SJ460	HASC2M	CX-NSZ309
S	TAPE DECK	Q	0305	87-A30-091-080	1E	FET,2SJ460	LHSCM	CX-SNSZ329
S	TAPE DECK	Q	0306	87-A30-062-080	0E	C-TR,KRC104S	HASC2M	CX-NSZ309
S	TAPE DECK	Q	0306	87-A30-062-080	0E	C-TR,KRC104S	LHSCM	CX-SNSZ329
S	TAPE DECK	Q	0307	87-A30-091-080	1E	FET,2SJ460	HASC2M	CX-NSZ309
S	TAPE DECK	Q	0307	87-A30-091-080	1E	FET,2SJ460	LHSCM	CX-SNSZ329
S	TAPE DECK	Q	0308	87-A30-091-080	1E	FET,2SJ460	HASC2M	CX-NSZ309
S	TAPE DECK	Q	0308	87-A30-091-080	1E	FET,2SJ460	LHSCM	CX-SNSZ329
S	TAPE DECK	Q	0309	87-A30-075-080	0E	C-TR,2SA1235F	HASC2M	CX-NSZ309
S	TAPE DECK	Q	0309	87-A30-075-080	0E	C-TR,2SA1235F	LHSCM	CX-SNSZ329
S	TAPE DECK	Q	0310	87-A30-075-080	0E	C-TR,2SA1235F	HASC2M	CX-NSZ309
S	TAPE DECK	Q	0310	87-A30-075-080	0E	C-TR,2SA1235F	LHSCM	CX-SNSZ329
S	TAPE DECK	Q	0443	87-A30-075-080	0E	C-TR,2SA1235F	HASC2M	CX-NSZ309
S	TAPE DECK	Q	0443	87-A30-075-080	0E	C-TR,2SA1235F	LHSCM	CX-SNSZ329
S	TAPE DECK	Q	0444	87-A30-075-080	0E	C-TR,2SA1235F	HASC2M	CX-NSZ309
S	TAPE DECK	Q	0444	87-A30-075-080	0E	C-TR,2SA1235F	LHSCM	CX-SNSZ329
S	TAPE DECK	Q	0451	87-A30-495-080	0E	TR,2SA1981Y	HASC2M	CX-NSZ309
S	TAPE DECK	Q	0451	87-A30-495-080	0E	TR,2SA1981Y	LHSCM	CX-SNSZ329
S	TAPE DECK	Q	0453	87-A30-615-080	0E	TR,STC250	HASC2M	CX-NSZ309
S	TAPE DECK	Q	0453	87-A30-615-080	0E	TR,STC250	LHSCM	CX-SNSZ329
S	TAPE DECK	Q	0454	87-A30-615-080	0E	TR,STC250	HASC2M	CX-NSZ309
S	TAPE DECK	Q	0454	87-A30-615-080	0E	TR,STC250	LHSCM	CX-SNSZ329
X	TAPE DECK	R	0301	88-108-393-080	0E	C-RES,U 39K-1/16W J	HASC2M	CX-NSZ309
X	TAPE DECK	R	0301	88-108-393-080	0E	C-RES,U 39K-1/16W J	LHSCM	CX-SNSZ329
X	TAPE DECK	R	0302	88-108-393-080	0E	C-RES,U 39K-1/16W J	HASC2M	CX-NSZ309
X	TAPE DECK	R	0302	88-108-393-080	0E	C-RES,U 39K-1/16W J	LHSCM	CX-SNSZ329
X	TAPE DECK	R	0303	88-108-823-080	0E	C-RES,U 82K-1/16W J	HASC2M	CX-NSZ309
X	TAPE DECK	R	0303	88-108-823-080	0E	C-RES,U 82K-1/16W J	LHSCM	CX-SNSZ329
X	TAPE DECK	R	0304	88-108-823-080	0E	C-RES,U 82K-1/16W J	HASC2M	CX-NSZ309
X	TAPE DECK	R	0304	88-108-823-080	0E	C-RES,U 82K-1/16W J	LHSCM	CX-SNSZ329
X	TAPE DECK	R	0305	88-108-224-080	0E	C-RES,U 220K-1/16W J	HASC2M	CX-NSZ309
X	TAPE DECK	R	0305	88-108-224-080	0E	C-RES,U 220K-1/16W J	LHSCM	CX-SNSZ329
X	TAPE DECK	R	0306	88-108-682-080	0E	C-RES,U 6.8K-1/16W J	HASC2M	CX-NSZ309
X	TAPE DECK	R	0306	88-108-682-080	0E	C-RES,U 6.8K-1/16W J	LHSCM	CX-SNSZ329
X	TAPE DECK	R	0307	88-108-471-080	0E	C-RES,U 470-1/16W J	HASC2M	CX-NSZ309
X	TAPE DECK	R	0307	88-108-471-080	0E	C-RES,U 470-1/16W J	LHSCM	CX-SNSZ329
X	TAPE DECK	R	0308	88-108-471-080	0E	C-RES,U 470-1/16W J	HASC2M	CX-NSZ309
X	TAPE DECK	R	0308	88-108-471-080	0E	C-RES,U 470-1/16W J	LHSCM	CX-SNSZ329
X	TAPE DECK	R	0309	88-108-680-080	0E	C-RES,U 68-1/16W J	HASC2M	CX-NSZ309
X	TAPE DECK	R	0309	88-108-680-080	0E	C-RES,U 68-1/16W J	LHSCM	CX-SNSZ329
X	TAPE DECK	R	0310	88-108-680-080	0E	C-RES,U 68-1/16W J	HASC2M	CX-NSZ309
X	TAPE DECK	R	0310	88-108-680-080	0E	C-RES,U 68-1/16W J	LHSCM	CX-SNSZ329
X	TAPE DECK	R	0313	88-108-183-080	0E	C-RES,U 18K-1/16W J	HASC2M	CX-NSZ309
X	TAPE DECK	R	0313	88-108-183-080	0E	C-RES,U 18K-1/16W J	LHSCM	CX-SNSZ329
X	TAPE DECK	R	0314	88-108-183-080	0E	C-RES,U 18K-1/16W J	HASC2M	CX-NSZ309
X	TAPE DECK	R	0314	88-108-183-080	0E	C-RES,U 18K-1/16W J	LHSCM	CX-SNSZ329
X	TAPE DECK	R	0315	88-108-394-080	0E	C-RES,U 390K-1/16W J	HASC2M	CX-NSZ309
X	TAPE DECK	R	0315	88-108-394-080	0E	C-RES,U 390K-1/16W J	LHSCM	CX-SNSZ329
X	TAPE DECK	R	0316	88-108-394-080	0E	C-RES,U 390K-1/16W J	HASC2M	CX-NSZ309
X	TAPE DECK	R	0316	88-108-394-080	0E	C-RES,U 390K-1/16W J	LHSCM	CX-SNSZ329
X	TAPE DECK	R	0317	88-108-122-080	0E	C-RES,U 1.2K-1/16W J	HASC2M	CX-NSZ309
X	TAPE DECK	R	0317	88-108-122-080	0E	C-RES,U 1.2K-1/16W J	LHSCM	CX-SNSZ329
X	TAPE DECK	R	0318	88-108-122-080	0E	C-RES,U 1.2K-1/16W J	HASC2M	CX-NSZ309
X	TAPE DECK	R	0318	88-108-122-080	0E	C-RES,U 1.2K-1/16W J	LHSCM	CX-SNSZ329
X	TAPE DECK	R	0319	88-108-472-080	0E	C-RES,U 4.7K-1/16W J	HASC2M	CX-NSZ309
X	TAPE DECK	R	0319	88-108-472-080	0E	C-RES,U 4.7K-1/16W J	LHSCM	CX-SNSZ329
X	TAPE DECK	R	0321	88-108-000-080	0E	C-JUMPER,U	HASC2M	CX-NSZ309
X	TAPE DECK	R	0321	88-108-000-080	0E	C-JUMPER,U	LHSCM	CX-SNSZ329
X	TAPE DECK	R	0322	88-108-000-080	0E	C-JUMPER,U	HASC2M	CX-NSZ309
X	TAPE DECK	R	0322	88-108-000-080	0E	C-JUMPER,U	LHSCM	CX-SNSZ329
X	TAPE DECK	R	0375	88-108-102-080	0E	C-RES,U 1K-1/16W J	HASC2M	CX-NSZ309
X	TAPE DECK	R	0375	88-108-102-080	0E	C-RES,U 1K-1/16W J	LHSCM	CX-SNSZ329
X	TAPE DECK	R	0376	88-108-102-080	0E	C-RES,U 1K-1/16W J	HASC2M	CX-NSZ309
X	TAPE DECK	R	0376	88-108-102-080	0E	C-RES,U 1K-1/16W J	LHSCM	CX-SNSZ329
X	TAPE DECK	R	0377	88-121-101-080	0E	RES,100-1/8W J	HASC2M	CX-NSZ309
X	TAPE DECK	R	0377	88-121-101-080	0E	RES,100-1/8W J	LHSCM	CX-SNSZ329
X	TAPE DECK	R	0399	88-108-105-080	0E	C-RES,U 1M-1/16W J	HASC2M	CX-NSZ309

# PARTS LIST

! =  $\Delta$  SAFTY PARTS  
 C = Components marked

All components used on this model at the production line are shown in this service manual.

However, please note that not all components will be available as spare parts for after-sales service.

Components marked S and O are designated as spare parts for service and will be stocked at the spare parts centers.

Components marked X and R are not designated as spare parts for after sales service, and will not be stocked at the spare parts centers.

K NO. = Only use Japanese.

! C	UNIT NAME	REF NO.	PARTS CODE	K NO.	DESCRIPTION	SUFFIX	MODEL NAME
X	TAPE DECK	R 0399	88-108-105-080	0E	C-RES,U 1M-1/16W J	LHSCM	CX-SNSZ329
X	TAPE DECK	R 0401	88-108-104-080	0E	C-RES,U 100K-1/16W J	HASC2M	CX-NSZ309
X	TAPE DECK	R 0401	88-108-104-080	0E	C-RES,U 100K-1/16W J	LHSCM	CX-SNSZ329
X	TAPE DECK	R 0402	88-108-104-080	0E	C-RES,U 100K-1/16W J	HASC2M	CX-NSZ309
X	TAPE DECK	R 0402	88-108-104-080	0E	C-RES,U 100K-1/16W J	LHSCM	CX-SNSZ329
X	TAPE DECK	R 0403	88-108-102-080	0E	C-RES,U 1K-1/16W J	HASC2M	CX-NSZ309
X	TAPE DECK	R 0403	88-108-102-080	0E	C-RES,U 1K-1/16W J	LHSCM	CX-SNSZ329
X	TAPE DECK	R 0404	88-108-102-080	0E	C-RES,U 1K-1/16W J	HASC2M	CX-NSZ309
X	TAPE DECK	R 0404	88-108-102-080	0E	C-RES,U 1K-1/16W J	LHSCM	CX-SNSZ329
X	TAPE DECK	R 0405	88-108-823-080	0E	C-RES,U 82K-1/16W J	HASC2M	CX-NSZ309
X	TAPE DECK	R 0405	88-108-823-080	0E	C-RES,U 82K-1/16W J	LHSCM	CX-SNSZ329
X	TAPE DECK	R 0406	88-108-823-080	0E	C-RES,U 82K-1/16W J	HASC2M	CX-NSZ309
X	TAPE DECK	R 0406	88-108-823-080	0E	C-RES,U 82K-1/16W J	LHSCM	CX-SNSZ329
X	TAPE DECK	R 0407	88-108-102-080	0E	C-RES,U 1K-1/16W J	HASC2M	CX-NSZ309
X	TAPE DECK	R 0407	88-108-102-080	0E	C-RES,U 1K-1/16W J	LHSCM	CX-SNSZ329
X	TAPE DECK	R 0408	88-108-102-080	0E	C-RES,U 1K-1/16W J	HASC2M	CX-NSZ309
X	TAPE DECK	R 0408	88-108-102-080	0E	C-RES,U 1K-1/16W J	LHSCM	CX-SNSZ329
X	TAPE DECK	R 0409	88-108-122-080	0E	C-RES,U 1.2K-1/16W J	HASC2M	CX-NSZ309
X	TAPE DECK	R 0409	88-108-122-080	0E	C-RES,U 1.2K-1/16W J	LHSCM	CX-SNSZ329
X	TAPE DECK	R 0410	88-108-122-080	0E	C-RES,U 1.2K-1/16W J	HASC2M	CX-NSZ309
X	TAPE DECK	R 0410	88-108-122-080	0E	C-RES,U 1.2K-1/16W J	LHSCM	CX-SNSZ329
X	TAPE DECK	R 0411	88-108-153-080	0E	C-RES,U 15K-1/16W J	HASC2M	CX-NSZ309
X	TAPE DECK	R 0411	88-108-153-080	0E	C-RES,U 15K-1/16W J	LHSCM	CX-SNSZ329
X	TAPE DECK	R 0412	88-108-153-080	0E	C-RES,U 15K-1/16W J	HASC2M	CX-NSZ309
X	TAPE DECK	R 0412	88-108-153-080	0E	C-RES,U 15K-1/16W J	LHSCM	CX-SNSZ329
X	TAPE DECK	R 0413	88-108-222-080	0E	C-RES,U 2.2K-1/16W J	HASC2M	CX-NSZ309
X	TAPE DECK	R 0413	88-108-222-080	0E	C-RES,U 2.2K-1/16W J	LHSCM	CX-SNSZ329
X	TAPE DECK	R 0414	88-108-222-080	0E	C-RES,U 2.2K-1/16W J	HASC2M	CX-NSZ309
X	TAPE DECK	R 0414	88-108-222-080	0E	C-RES,U 2.2K-1/16W J	LHSCM	CX-SNSZ329
X	TAPE DECK	R 0415	88-108-681-080	0E	C-RES,U 680-1/16W J	HASC2M	CX-NSZ309
X	TAPE DECK	R 0415	88-108-681-080	0E	C-RES,U 680-1/16W J	LHSCM	CX-SNSZ329
X	TAPE DECK	R 0416	88-108-681-080	0E	C-RES,U 680-1/16W J	HASC2M	CX-NSZ309
X	TAPE DECK	R 0416	88-108-681-080	0E	C-RES,U 680-1/16W J	LHSCM	CX-SNSZ329
X	TAPE DECK	R 0417	88-108-103-080	0E	C-RES,U 10K-1/16W J	HASC2M	CX-NSZ309
X	TAPE DECK	R 0417	88-108-103-080	0E	C-RES,U 10K-1/16W J	LHSCM	CX-SNSZ329
X	TAPE DECK	R 0418	88-108-103-080	0E	C-RES,U 10K-1/16W J	HASC2M	CX-NSZ309
X	TAPE DECK	R 0418	88-108-103-080	0E	C-RES,U 10K-1/16W J	LHSCM	CX-SNSZ329
X	TAPE DECK	R 0419	88-108-222-080	0E	C-RES,U 2.2K-1/16W J	HASC2M	CX-NSZ309
X	TAPE DECK	R 0419	88-108-222-080	0E	C-RES,U 2.2K-1/16W J	LHSCM	CX-SNSZ329
X	TAPE DECK	R 0420	88-108-222-080	0E	C-RES,U 2.2K-1/16W J	HASC2M	CX-NSZ309
X	TAPE DECK	R 0420	88-108-222-080	0E	C-RES,U 2.2K-1/16W J	LHSCM	CX-SNSZ329
X	TAPE DECK	R 0421	88-108-223-080	0E	C-RES,U 22K-1/16W J	HASC2M	CX-NSZ309
X	TAPE DECK	R 0421	88-108-223-080	0E	C-RES,U 22K-1/16W J	LHSCM	CX-SNSZ329
X	TAPE DECK	R 0422	88-108-223-080	0E	C-RES,U 22K-1/16W J	HASC2M	CX-NSZ309
X	TAPE DECK	R 0422	88-108-223-080	0E	C-RES,U 22K-1/16W J	LHSCM	CX-SNSZ329
X	TAPE DECK	R 0423	88-108-183-080	0E	C-RES,U 18K-1/16W J	HASC2M	CX-NSZ309
X	TAPE DECK	R 0423	88-108-183-080	0E	C-RES,U 18K-1/16W J	LHSCM	CX-SNSZ329
X	TAPE DECK	R 0424	88-108-183-080	0E	C-RES,U 18K-1/16W J	HASC2M	CX-NSZ309
X	TAPE DECK	R 0424	88-108-183-080	0E	C-RES,U 18K-1/16W J	LHSCM	CX-SNSZ329
X	TAPE DECK	R 0453	88-118-152-080	0E	C-RES,S 1.5K-1/10W J	HASC2M	CX-NSZ309
X	TAPE DECK	R 0453	88-118-152-080	0E	C-RES,S 1.5K-1/10W J	LHSCM	CX-SNSZ329
X	TAPE DECK	R 0454	88-128-829-080	0E	C-RES, 8.2-1/8W J	HASC2M	CX-NSZ309
X	TAPE DECK	R 0454	88-128-829-080	0E	C-RES, 8.2-1/8W J	LHSCM	CX-SNSZ329
X	TAPE DECK	R 0455	88-108-183-080	0E	C-RES,U 18K-1/16W J	HASC2M	CX-NSZ309
X	TAPE DECK	R 0455	88-108-183-080	0E	C-RES,U 18K-1/16W J	LHSCM	CX-SNSZ329
X	TAPE DECK	R 0456	88-108-183-080	0E	C-RES,U 18K-1/16W J	HASC2M	CX-NSZ309
X	TAPE DECK	R 0456	88-108-183-080	0E	C-RES,U 18K-1/16W J	LHSCM	CX-SNSZ329
X	TAPE DECK	R 0457	88-130-100-080	0E	RES,10-1/4W J	HASC2M	CX-NSZ309
X	TAPE DECK	R 0457	88-130-100-080	0E	RES,10-1/4W J	LHSCM	CX-SNSZ329
X	TAPE DECK	R 0458	88-121-104-080	0E	RES,100K-1/8W J	HASC2M	CX-NSZ309
X	TAPE DECK	R 0458	88-121-104-080	0E	RES,100K-1/8W J	LHSCM	CX-SNSZ329
X	TAPE DECK	R 0459	88-128-150-080	0E	C-RES, 15-1/8W J	HASC2M	CX-NSZ309
X	TAPE DECK	R 0459	88-128-150-080	0E	C-RES, 15-1/8W J	LHSCM	CX-SNSZ329
X	TAPE DECK	R 0460	88-140-100-080	0E	RES,10-1/2W J	HASC2M	CX-NSZ309
X	TAPE DECK	R 0460	88-140-100-080	0E	RES,10-1/2W J	LHSCM	CX-SNSZ329
O	TAPE DECK	SFR0451	87-024-435-080	0E	SFR,33K H RH063MC	HASC2M	CX-NSZ309
O	TAPE DECK	SFR0451	87-024-435-080	0E	SFR,33K H RH063MC	LHSCM	CX-SNSZ329
O	TAPE DECK	SFR0452	87-024-435-080	0E	SFR,33K H RH063MC	HASC2M	CX-NSZ309
O	TAPE DECK	SFR0452	87-024-435-080	0E	SFR,33K H RH063MC	LHSCM	CX-SNSZ329
X	TAPE DECK.LOCAL	FB 0301	88-100-000-010	0E	PLATING-JW, 0.58 SN95	HASC2M	CX-NSZ309

# PARTS LIST

! =  $\Delta$  SAFTY PARTS  
 C = Components marked

All components used on this model at the production line are shown in this service manual.

However, please note that not all components will be available as spare parts for after-sales service.

Components marked S and O are designated as spare parts for service and will be stocked at the spare parts centers.

Components marked X and R are not designated as spare parts for after sales service, and will not be stocked at the spare parts centers.

K NO. = Only use Japanese.

! C	UNIT NAME	REF NO.	PARTS CODE	K NO.	DESCRIPTION	SUFFIX	MODEL NAME
O	TUNER (FM FE)	C 0901	87-018-145-080	0E	CAP,TC U 6.8P-50 K CH UP050	HASC2M	CX-NSZ309
O	TUNER (FM FE)	C 0901	87-018-145-080	0E	CAP,TC U 6.8P-50 K CH UP050	LHSCM	CX-SNSZ329
O	TUNER (FM FE)	C 0904	87-012-286-080	0E	C-CAP,U 0.01-25 K B	HASC2M	CX-NSZ309
O	TUNER (FM FE)	C 0904	87-012-286-080	0E	C-CAP,U 0.01-25 K B	LHSCM	CX-SNSZ329
O	TUNER (FM FE)	C 0905	87-012-286-080	0E	C-CAP,U 0.01-25 K B	HASC2M	CX-NSZ309
O	TUNER (FM FE)	C 0905	87-012-286-080	0E	C-CAP,U 0.01-25 K B	LHSCM	CX-SNSZ329
O	TUNER (FM FE)	C 0907	87-012-286-080	0E	C-CAP,U 0.01-25 K B	HASC2M	CX-NSZ309
O	TUNER (FM FE)	C 0907	87-012-286-080	0E	C-CAP,U 0.01-25 K B	LHSCM	CX-SNSZ329
O	TUNER (FM FE)	C 0908	87-A10-915-080	0E	C-CAP,U 1000P-25 J CH	HASC2M	CX-NSZ309
O	TUNER (FM FE)	C 0908	87-A10-915-080	0E	C-CAP,U 1000P-25 J CH	LHSCM	CX-SNSZ329
O	TUNER (FM FE)	C 0909	87-012-286-080	0E	C-CAP,U 0.01-25 K B	HASC2M	CX-NSZ309
O	TUNER (FM FE)	C 0909	87-012-286-080	0E	C-CAP,U 0.01-25 K B	LHSCM	CX-SNSZ329
O	TUNER (FM FE)	C 0910	87-012-174-080	0E	C-CAP,U 12P-50 J CH	HASC2M	CX-NSZ309
O	TUNER (FM FE)	C 0910	87-012-174-080	0E	C-CAP,U 12P-50 J CH	LHSCM	CX-SNSZ329
O	TUNER (FM FE)	C 0911	87-012-170-080	0E	C-CAP,U 8P-50 D CH	HASC2M	CX-NSZ309
O	TUNER (FM FE)	C 0911	87-012-170-080	0E	C-CAP,U 8P-50 D CH	LHSCM	CX-SNSZ329
O	TUNER (FM FE)	C 0912	87-012-195-080	0E	C-CAP,U 100P-50 J CH	HASC2M	CX-NSZ309
O	TUNER (FM FE)	C 0912	87-012-195-080	0E	C-CAP,U 100P-50 J CH	LHSCM	CX-SNSZ329
O	TUNER (FM FE)	C 0913	87-012-286-080	0E	C-CAP,U 0.01-25 K B	HASC2M	CX-NSZ309
O	TUNER (FM FE)	C 0913	87-012-286-080	0E	C-CAP,U 0.01-25 K B	LHSCM	CX-SNSZ329
O	TUNER (FM FE)	C 0914	87-012-166-080	0E	C-CAP,U 4P-50 C CH	HASC2M	CX-NSZ309
O	TUNER (FM FE)	C 0914	87-012-166-080	0E	C-CAP,U 4P-50 C CH	LHSCM	CX-SNSZ329
O	TUNER (FM FE)	C 0915	87-012-174-080	0E	C-CAP,U 12P-50 J CH	HASC2M	CX-NSZ309
O	TUNER (FM FE)	C 0915	87-012-174-080	0E	C-CAP,U 12P-50 J CH	LHSCM	CX-SNSZ329
O	TUNER (FM FE)	C 0916	87-012-180-080	0E	C-CAP,U 22P-50 J CH	HASC2M	CX-NSZ309
O	TUNER (FM FE)	C 0916	87-012-180-080	0E	C-CAP,U 22P-50 J CH	LHSCM	CX-SNSZ329
O	TUNER (FM FE)	C 0917	87-012-186-080	0E	C-CAP,U 39P-50 J CH	HASC2M	CX-NSZ309
O	TUNER (FM FE)	C 0917	87-012-186-080	0E	C-CAP,U 39P-50 J CH	LHSCM	CX-SNSZ329
O	TUNER (FM FE)	C 0918	87-A10-039-080	0E	C-CAP,U 470P-50 J CH	HASC2M	CX-NSZ309
O	TUNER (FM FE)	C 0918	87-A10-039-080	0E	C-CAP,U 470P-50 J CH	LHSCM	CX-SNSZ329
O	TUNER (FM FE)	C 0921	87-012-195-080	0E	C-CAP,U 100P-50 J CH	HASC2M	CX-NSZ309
O	TUNER (FM FE)	C 0921	87-012-195-080	0E	C-CAP,U 100P-50 J CH	LHSCM	CX-SNSZ329
O	TUNER (FM FE)	C 0922	87-012-174-080	0E	C-CAP,U 12P-50 J CH	HASC2M	CX-NSZ309
O	TUNER (FM FE)	C 0922	87-012-174-080	0E	C-CAP,U 12P-50 J CH	LHSCM	CX-SNSZ329
O	TUNER (FM FE)	D 0902	87-A40-128-080	0E	C-VARI-CAP,HVU202A	HASC2M	CX-NSZ309
O	TUNER (FM FE)	D 0902	87-A40-128-080	0E	C-VARI-CAP,HVU202A	LHSCM	CX-SNSZ329
O	TUNER (FM FE)	D 0903	87-A40-128-080	0E	C-VARI-CAP,HVU202A	HASC2M	CX-NSZ309
O	TUNER (FM FE)	D 0903	87-A40-128-080	0E	C-VARI-CAP,HVU202A	LHSCM	CX-SNSZ329
O	TUNER (FM FE)	L 0902	88-ZA1-602-110	0E	COIL,FM-RF-U2 2G	HASC2M	CX-NSZ309
O	TUNER (FM FE)	L 0902	88-ZA1-602-110	0E	COIL,FM-RF-U2 2G	LHSCM	CX-SNSZ329
O	TUNER (FM FE)	L 0903	88-ZA1-601-010	0E	COIL,FM-RF-U1 2G	HASC2M	CX-NSZ309
O	TUNER (FM FE)	L 0903	88-ZA1-601-010	0E	COIL,FM-RF-U1 2G	LHSCM	CX-SNSZ329
O	TUNER (FM FE)	L 0904	87-005-847-080	0E	COIL,2.2UH K CECS	HASC2M	CX-NSZ309
O	TUNER (FM FE)	L 0904	87-005-847-080	0E	COIL,2.2UH K CECS	LHSCM	CX-SNSZ329
O	TUNER (FM FE)	L 0905	88-ZA1-624-010	0E	COIL,FM IFT 7-6.2 (COILS)	HASC2M	CX-NSZ309
O	TUNER (FM FE)	L 0905	88-ZA1-624-010	0E	COIL,FM IFT 7-6.2 (COILS)	LHSCM	CX-SNSZ329
O	TUNER (FM FE)	L 0906	88-ZA1-603-010	0E	COIL,FM-OSC-U 2G	HASC2M	CX-NSZ309
O	TUNER (FM FE)	L 0906	88-ZA1-603-010	0E	COIL,FM-OSC-U 2G	LHSCM	CX-SNSZ329
S	TUNER (FM FE)	Q 0901	89-503-602-080	1A	C-FET,2SK360E	HASC2M	CX-NSZ309
S	TUNER (FM FE)	Q 0901	89-503-602-080	1A	C-FET,2SK360E	LHSCM	CX-SNSZ329
S	TUNER (FM FE)	Q 0902	89-327-143-080	0E	C-TR,2SC27140	HASC2M	CX-NSZ309
S	TUNER (FM FE)	Q 0902	89-327-143-080	0E	C-TR,2SC27140	LHSCM	CX-SNSZ329
S	TUNER (FM FE)	Q 0903	89-327-143-080	0E	C-TR,2SC27140	HASC2M	CX-NSZ309
S	TUNER (FM FE)	Q 0903	89-327-143-080	0E	C-TR,2SC27140	LHSCM	CX-SNSZ329
X	TUNER (FM FE)	R 0903	88-108-471-080	0E	C-RES,U 470-1/16W J	HASC2M	CX-NSZ309
X	TUNER (FM FE)	R 0903	88-108-471-080	0E	C-RES,U 470-1/16W J	LHSCM	CX-SNSZ329
X	TUNER (FM FE)	R 0904	88-108-473-080	0E	C-RES,U 47K-1/16W J	HASC2M	CX-NSZ309
X	TUNER (FM FE)	R 0904	88-108-473-080	0E	C-RES,U 47K-1/16W J	LHSCM	CX-SNSZ329
X	TUNER (FM FE)	R 0905	88-108-564-080	0E	C-RES,U 560K-1/16W J	HASC2M	CX-NSZ309
X	TUNER (FM FE)	R 0905	88-108-564-080	0E	C-RES,U 560K-1/16W J	LHSCM	CX-SNSZ329
X	TUNER (FM FE)	R 0907	88-108-472-080	0E	C-RES,U 4.7K-1/16W J	HASC2M	CX-NSZ309
X	TUNER (FM FE)	R 0907	88-108-472-080	0E	C-RES,U 4.7K-1/16W J	LHSCM	CX-SNSZ329
X	TUNER (FM FE)	R 0908	88-108-121-080	0E	C-RES,U 120-1/16W J	HASC2M	CX-NSZ309
X	TUNER (FM FE)	R 0908	88-108-121-080	0E	C-RES,U 120-1/16W J	LHSCM	CX-SNSZ329
X	TUNER (FM FE)	R 0909	88-108-473-080	0E	C-RES,U 47K-1/16W J	HASC2M	CX-NSZ309
X	TUNER (FM FE)	R 0909	88-108-473-080	0E	C-RES,U 47K-1/16W J	LHSCM	CX-SNSZ329
X	TUNER (FM FE)	R 0910	88-108-822-080	0E	C-RES,U 8.2K-1/16W J	HASC2M	CX-NSZ309
X	TUNER (FM FE)	R 0910	88-108-822-080	0E	C-RES,U 8.2K-1/16W J	LHSCM	CX-SNSZ329
X	TUNER (FM FE)	R 0911	88-108-101-080	0E	C-RES,U 100-1/16W J	HASC2M	CX-NSZ309
X	TUNER (FM FE)	R 0911	88-108-101-080	0E	C-RES,U 100-1/16W J	LHSCM	CX-SNSZ329

# PARTS LIST

! =  $\Delta$  SAFTY PARTS  
 C = Components marked

All components used on this model at the production line are shown in this service manual.

However, please note that not all components will be available as spare parts for after-sales service.

Components marked S and O are designated as spare parts for service and will be stocked at the spare parts centers.

Components marked X and R are not designated as spare parts for after sales service, and will not be stocked at the spare parts centers.

K NO. = Only use Japanese.

! C	UNIT NAME	REF NO.	PARTS CODE	K NO.	DESCRIPTION	SUFFIX	MODEL NAME
X	TUNER(FM FE)	SH 0901	88-ZA1-605-010	0E	SHLD-CASE, IFT CAP-CASE	HASC2M	CX-NSZ309
X	TUNER(FM FE)	SH 0901	88-ZA1-605-010	0E	SHLD-CASE, IFT CAP-CASE	LHSCM	CX-SNSZ329
O	TUNER(IF)	C 0771	87-A12-062-080	0E	CAP,E 100-10 SMG	HASC2M	CX-NSZ309
O	TUNER(IF)	C 0771	87-A12-062-080	0E	CAP,E 100-10 SMG	LHSCM	CX-SNSZ329
O	TUNER(IF)	C 0772	87-012-286-080	0E	C-CAP,U 0.01-25 K B	HASC2M	CX-NSZ309
O	TUNER(IF)	C 0772	87-012-286-080	0E	C-CAP,U 0.01-25 K B	LHSCM	CX-SNSZ329
X	TUNER(IF)	C 0781	88-108-000-080	0E	C-JUMPER,U	HASC2M	CX-NSZ309
X	TUNER(IF)	C 0781	88-108-000-080	0E	C-JUMPER,U	LHSCM	CX-SNSZ329
O	TUNER(IF)	C 0782	87-012-286-080	0E	C-CAP,U 0.01-25 K B	HASC2M	CX-NSZ309
O	TUNER(IF)	C 0782	87-012-286-080	0E	C-CAP,U 0.01-25 K B	LHSCM	CX-SNSZ329
O	TUNER(IF)	C 0783	87-012-286-080	0E	C-CAP,U 0.01-25 K B	HASC2M	CX-NSZ309
O	TUNER(IF)	C 0783	87-012-286-080	0E	C-CAP,U 0.01-25 K B	LHSCM	CX-SNSZ329
O	TUNER(IF)	C 0784	87-012-286-080	0E	C-CAP,U 0.01-25 K B	HASC2M	CX-NSZ309
O	TUNER(IF)	C 0784	87-012-286-080	0E	C-CAP,U 0.01-25 K B	LHSCM	CX-SNSZ329
O	TUNER(IF)	C 0785	87-012-286-080	0E	C-CAP,U 0.01-25 K B	HASC2M	CX-NSZ309
O	TUNER(IF)	C 0785	87-012-286-080	0E	C-CAP,U 0.01-25 K B	LHSCM	CX-SNSZ329
O	TUNER(IF)	C 0786	87-012-286-080	0E	C-CAP,U 0.01-25 K B	HASC2M	CX-NSZ309
O	TUNER(IF)	C 0786	87-012-286-080	0E	C-CAP,U 0.01-25 K B	LHSCM	CX-SNSZ329
O	TUNER(IF)	C 0788	87-012-167-080	0E	C-CAP,U 5P-50 C CH	HASC2M	CX-NSZ309
O	TUNER(IF)	C 0788	87-012-167-080	0E	C-CAP,U 5P-50 C CH	LHSCM	CX-SNSZ329
O	TUNER(IF)	C 0789	87-A12-052-080	0E	C-CAP,S 0.033-25 J B	HASC2M	CX-NSZ309
O	TUNER(IF)	C 0789	87-A12-052-080	0E	C-CAP,S 0.033-25 J B	LHSCM	CX-SNSZ329
O	TUNER(IF)	C 0790	87-A12-052-080	0E	C-CAP,S 0.033-25 J B	HASC2M	CX-NSZ309
O	TUNER(IF)	C 0790	87-A12-052-080	0E	C-CAP,S 0.033-25 J B	LHSCM	CX-SNSZ329
O	TUNER(IF)	C 0791	87-010-831-080	0E	C-CAP,U 0.1-16 Z F	HASC2M	CX-NSZ309
O	TUNER(IF)	C 0791	87-010-831-080	0E	C-CAP,U 0.1-16 Z F	LHSCM	CX-SNSZ329
O	TUNER(IF)	C 0792	87-012-286-080	0E	C-CAP,U 0.01-25 K B	HASC2M	CX-NSZ309
O	TUNER(IF)	C 0792	87-012-286-080	0E	C-CAP,U 0.01-25 K B	LHSCM	CX-SNSZ329
O	TUNER(IF)	C 0793	87-A12-090-080	0E	CAP,E 4.7-50 SMG	HASC2M	CX-NSZ309
O	TUNER(IF)	C 0793	87-A12-090-080	0E	CAP,E 4.7-50 SMG	LHSCM	CX-SNSZ329
O	TUNER(IF)	C 0795	87-012-286-080	0E	C-CAP,U 0.01-25 K B	HASC2M	CX-NSZ309
O	TUNER(IF)	C 0795	87-012-286-080	0E	C-CAP,U 0.01-25 K B	LHSCM	CX-SNSZ329
O	TUNER(IF)	C 0796	87-012-286-080	0E	C-CAP,U 0.01-25 K B	HASC2M	CX-NSZ309
O	TUNER(IF)	C 0796	87-012-286-080	0E	C-CAP,U 0.01-25 K B	LHSCM	CX-SNSZ329
O	TUNER(IF)	C 0797	87-A12-091-080	0E	CAP,E 10-50 SMG	HASC2M	CX-NSZ309
O	TUNER(IF)	C 0797	87-A12-091-080	0E	CAP,E 10-50 SMG	LHSCM	CX-SNSZ329
O	TUNER(IF)	C 0798	87-012-286-080	0E	C-CAP,U 0.01-25 K B	HASC2M	CX-NSZ309
O	TUNER(IF)	C 0798	87-012-286-080	0E	C-CAP,U 0.01-25 K B	LHSCM	CX-SNSZ329
O	TUNER(IF)	C 0799	87-010-265-080	0E	CAP,E 33-16 M 11L SME	HASC2M	CX-NSZ309
O	TUNER(IF)	C 0799	87-010-265-080	0E	CAP,E 33-16 M 11L SME	LHSCM	CX-SNSZ329
O	TUNER(IF)	C 0800	87-010-829-080	0E	C-CAP,U 0.047-16 Z F	HASC2M	CX-NSZ309
O	TUNER(IF)	C 0800	87-010-829-080	0E	C-CAP,U 0.047-16 Z F	LHSCM	CX-SNSZ329
O	TUNER(IF)	C 0801	87-A12-089-080	0E	CAP,E 3.3-50 SMG	HASC2M	CX-NSZ309
O	TUNER(IF)	C 0801	87-A12-089-080	0E	CAP,E 3.3-50 SMG	LHSCM	CX-SNSZ329
O	TUNER(IF)	C 0802	87-010-829-080	0E	C-CAP,U 0.047-16 Z F	HASC2M	CX-NSZ309
O	TUNER(IF)	C 0802	87-010-829-080	0E	C-CAP,U 0.047-16 Z F	LHSCM	CX-SNSZ329
O	TUNER(IF)	C 0803	87-010-787-080	0E	C-CAP,U 0.022-25 K B	HASC2M	CX-NSZ309
O	TUNER(IF)	C 0803	87-010-787-080	0E	C-CAP,U 0.022-25 K B	LHSCM	CX-SNSZ329
O	TUNER(IF)	C 0804	87-A12-062-080	0E	CAP,E 100-10 SMG	HASC2M	CX-NSZ309
O	TUNER(IF)	C 0804	87-A12-062-080	0E	CAP,E 100-10 SMG	LHSCM	CX-SNSZ329
O	TUNER(IF)	C 0807	87-A12-086-080	0E	CAP,E 0.47-50 SMG	HASC2M	CX-NSZ309
O	TUNER(IF)	C 0807	87-A12-086-080	0E	CAP,E 0.47-50 SMG	LHSCM	CX-SNSZ329
O	TUNER(IF)	C 0808	87-A12-087-080	0E	CAP,E 1-50 SMG	HASC2M	CX-NSZ309
O	TUNER(IF)	C 0808	87-A12-087-080	0E	CAP,E 1-50 SMG	LHSCM	CX-SNSZ329
O	TUNER(IF)	C 0809	87-A12-087-080	0E	CAP,E 1-50 SMG	HASC2M	CX-NSZ309
O	TUNER(IF)	C 0809	87-A12-087-080	0E	CAP,E 1-50 SMG	LHSCM	CX-SNSZ329
O	TUNER(IF)	C 0810	87-010-831-080	0E	C-CAP,U 0.1-16 Z F	HASC2M	CX-NSZ309
O	TUNER(IF)	C 0810	87-010-831-080	0E	C-CAP,U 0.1-16 Z F	LHSCM	CX-SNSZ329
O	TUNER(IF)	C 0814	87-012-286-080	0E	C-CAP,U 0.01-25 K B	HASC2M	CX-NSZ309
O	TUNER(IF)	C 0814	87-012-286-080	0E	C-CAP,U 0.01-25 K B	LHSCM	CX-SNSZ329
O	TUNER(IF)	C 0815	87-A12-086-080	0E	CAP,E 0.47-50 SMG	HASC2M	CX-NSZ309
O	TUNER(IF)	C 0815	87-A12-086-080	0E	CAP,E 0.47-50 SMG	LHSCM	CX-SNSZ329
O	TUNER(IF)	C 0816	87-A12-086-080	0E	CAP,E 0.47-50 SMG	HASC2M	CX-NSZ309
O	TUNER(IF)	C 0816	87-A12-086-080	0E	CAP,E 0.47-50 SMG	LHSCM	CX-SNSZ329
O	TUNER(IF)	C 0821	87-A12-091-080	0E	CAP,E 10-50 SMG	HASC2M	CX-NSZ309
O	TUNER(IF)	C 0821	87-A12-091-080	0E	CAP,E 10-50 SMG	LHSCM	CX-SNSZ329
X	TUNER(IF)	C 0822	88-108-000-080	0E	C-JUMPER,U	HASC2M	CX-NSZ309
X	TUNER(IF)	C 0822	88-108-000-080	0E	C-JUMPER,U	LHSCM	CX-SNSZ329
O	TUNER(IF)	C 0823	87-010-177-080	0E	C-CAP,S 820P-50 J SL C2012	HASC2M	CX-NSZ309
O	TUNER(IF)	C 0823	87-010-177-080	0E	C-CAP,S 820P-50 J SL C2012	LHSCM	CX-SNSZ329

# PARTS LIST

! =  $\Delta$  SAFTY PARTS  
 C = Components marked

All components used on this model at the production line are shown in this service manual.

However, please note that not all components will be available as spare parts for after-sales service.

Components marked S and O are designated as spare parts for service and will be stocked at the spare parts centers.

Components marked X and R are not designated as spare parts for after sales service, and will not be stocked at the spare parts centers.

K NO. = Only use Japanese.

! C	UNIT NAME	REF NO.	PARTS CODE	K NO.	DESCRIPTION	SUFFIX	MODEL NAME
O	TUNER(IF)	C 0824	87-A12-090-080	0E	CAP,E 4.7-50 SMG	HASC2M	CX-NSZ309
O	TUNER(IF)	C 0824	87-A12-090-080	0E	CAP,E 4.7-50 SMG	LHSCM	CX-SNSZ329
O	TUNER(IF)	C 0825	87-010-596-080	0E	C-CAP,S 0.047-16 K R C2012	HASC2M	CX-NSZ309
O	TUNER(IF)	C 0825	87-010-596-080	0E	C-CAP,S 0.047-16 K R C2012	LHSCM	CX-SNSZ329
X	TUNER(IF)	D 0801	88-100-000-010	0E	PLATING-JW, 0.58 SN95	LHSCM	CX-SNSZ329
S	TUNER(IF)	D 0803	87-A40-291-080	0E	DIODE,1N4148M (CPT)	HASC2M	CX-NSZ309
S	TUNER(IF)	D 0803	87-A40-291-080	0E	DIODE,1N4148M (CPT)	LHSCM	CX-SNSZ329
S	TUNER(IF)	IC 0801	87-A21-695-010	1C	IC,LA1845L	HASC2M	CX-NSZ309
S	TUNER(IF)	IC 0801	87-A21-695-010	1C	IC,LA1845L	LHSCM	CX-SNSZ329
X	TUNER(IF)	JR 0781	88-129-000-080	0E	C-JUMPER, 3216	HASC2M	CX-NSZ309
X	TUNER(IF)	JR 0781	88-129-000-080	0E	C-JUMPER, 3216	LHSCM	CX-SNSZ329
X	TUNER(IF)	JR 0785	88-108-000-080	0E	C-JUMPER,U	HASC2M	CX-NSZ309
X	TUNER(IF)	JR 0785	88-108-000-080	0E	C-JUMPER,U	LHSCM	CX-SNSZ329
X	TUNER(IF)	JR 0786	88-108-000-080	0E	C-JUMPER,U	HASC2M	CX-NSZ309
X	TUNER(IF)	JR 0786	88-108-000-080	0E	C-JUMPER,U	LHSCM	CX-SNSZ329
X	TUNER(IF)	JR 0792	88-108-000-080	0E	C-JUMPER,U	HASC2M	CX-NSZ309
X	TUNER(IF)	JR 0792	88-108-000-080	0E	C-JUMPER,U	LHSCM	CX-SNSZ329
X	TUNER(IF)	JR 0795	88-129-000-080	0E	C-JUMPER, 3216	HASC2M	CX-NSZ309
X	TUNER(IF)	JR 0795	88-129-000-080	0E	C-JUMPER, 3216	LHSCM	CX-SNSZ329
X	TUNER(IF)	JR 0797	88-108-000-080	0E	C-JUMPER,U	HASC2M	CX-NSZ309
X	TUNER(IF)	JR 0797	88-108-000-080	0E	C-JUMPER,U	LHSCM	CX-SNSZ329
X	TUNER(IF)	JR 0801	88-108-000-080	0E	C-JUMPER,U	HASC2M	CX-NSZ309
X	TUNER(IF)	JR 0801	88-108-000-080	0E	C-JUMPER,U	LHSCM	CX-SNSZ329
O	TUNER(IF)	L 0801	87-A50-608-010	0E	COIL,FM DET-N(TOK)	HASC2M	CX-NSZ309
O	TUNER(IF)	L 0801	87-A50-608-010	0E	COIL,FM DET-N(TOK)	LHSCM	CX-SNSZ329
O	TUNER(IF)	L 0802	87-A91-551-010	1A	FLTR,PCFJZH-450 L(TOK)	HASC2M	CX-NSZ309
O	TUNER(IF)	L 0802	87-A91-551-010	1A	FLTR,PCFJZH-450 L(TOK)	LHSCM	CX-SNSZ329
O	TUNER(IF)	L 0811	87-005-847-080	0E	COIL,2.2UH K CECS	HASC2M	CX-NSZ309
O	TUNER(IF)	L 0811	87-005-847-080	0E	COIL,2.2UH K CECS	LHSCM	CX-SNSZ329
O	TUNER(IF)	R 0790	87-012-286-080	0E	C-CAP,U 0.01-25 K B	HASC2M	CX-NSZ309
O	TUNER(IF)	R 0790	87-012-286-080	0E	C-CAP,U 0.01-25 K B	LHSCM	CX-SNSZ329
X	TUNER(IF)	R 0791	88-108-102-080	0E	C-RES,U 1K-1/16W J	HASC2M	CX-NSZ309
X	TUNER(IF)	R 0791	88-108-102-080	0E	C-RES,U 1K-1/16W J	LHSCM	CX-SNSZ329
X	TUNER(IF)	R 0793	88-108-000-080	0E	C-JUMPER,U	HASC2M	CX-NSZ309
X	TUNER(IF)	R 0793	88-108-000-080	0E	C-JUMPER,U	LHSCM	CX-SNSZ329
X	TUNER(IF)	R 0795	88-108-000-080	0E	C-JUMPER,U	HASC2M	CX-NSZ309
X	TUNER(IF)	R 0795	88-108-000-080	0E	C-JUMPER,U	LHSCM	CX-SNSZ329
X	TUNER(IF)	R 0801	88-108-103-080	0E	C-RES,U 10K-1/16W J	HASC2M	CX-NSZ309
X	TUNER(IF)	R 0801	88-108-103-080	0E	C-RES,U 10K-1/16W J	LHSCM	CX-SNSZ329
X	TUNER(IF)	R 0802	88-108-223-080	0E	C-RES,U 22K-1/16W J	HASC2M	CX-NSZ309
X	TUNER(IF)	R 0802	88-108-223-080	0E	C-RES,U 22K-1/16W J	LHSCM	CX-SNSZ329
X	TUNER(IF)	R 0803	88-128-183-080	0E	C-RES, 18K-1/8W J	HASC2M	CX-NSZ309
X	TUNER(IF)	R 0803	88-128-183-080	0E	C-RES, 18K-1/8W J	LHSCM	CX-SNSZ329
X	TUNER(IF)	R 0804	88-108-000-080	0E	C-JUMPER,U	HASC2M	CX-NSZ309
X	TUNER(IF)	R 0804	88-108-000-080	0E	C-JUMPER,U	LHSCM	CX-SNSZ329
X	TUNER(IF)	R 0805	88-108-332-080	0E	C-RES,U 3.3K-1/16W J	HASC2M	CX-NSZ309
X	TUNER(IF)	R 0805	88-108-332-080	0E	C-RES,U 3.3K-1/16W J	LHSCM	CX-SNSZ329
X	TUNER(IF)	R 0806	88-108-682-080	0E	C-RES,U 6.8K-1/16W J	HASC2M	CX-NSZ309
X	TUNER(IF)	R 0806	88-108-682-080	0E	C-RES,U 6.8K-1/16W J	LHSCM	CX-SNSZ329
X	TUNER(IF)	R 0809	88-108-102-080	0E	C-RES,U 1K-1/16W J	HASC2M	CX-NSZ309
X	TUNER(IF)	R 0809	88-108-102-080	0E	C-RES,U 1K-1/16W J	LHSCM	CX-SNSZ329
X	TUNER(IF)	R 0810	88-108-102-080	0E	C-RES,U 1K-1/16W J	HASC2M	CX-NSZ309
X	TUNER(IF)	R 0810	88-108-102-080	0E	C-RES,U 1K-1/16W J	LHSCM	CX-SNSZ329
X	TUNER(IF)	R 0811	88-108-000-080	0E	C-JUMPER,U	HASC2M	CX-NSZ309
X	TUNER(IF)	R 0811	88-108-000-080	0E	C-JUMPER,U	LHSCM	CX-SNSZ329
X	TUNER(IF)	R 0812	88-108-000-080	0E	C-JUMPER,U	HASC2M	CX-NSZ309
X	TUNER(IF)	R 0812	88-108-000-080	0E	C-JUMPER,U	LHSCM	CX-SNSZ329
X	TUNER(IF)	R 0813	88-108-224-080	0E	C-RES,U 220K-1/16W J	HASC2M	CX-NSZ309
X	TUNER(IF)	R 0813	88-108-224-080	0E	C-RES,U 220K-1/16W J	LHSCM	CX-SNSZ329
X	TUNER(IF)	R 0814	88-108-105-080	0E	C-RES,U 1M-1/16W J	HASC2M	CX-NSZ309
X	TUNER(IF)	R 0814	88-108-105-080	0E	C-RES,U 1M-1/16W J	LHSCM	CX-SNSZ329
X	TUNER(IF)	R 0815	88-121-682-080	0E	RES,6.8K-1/8W J	HASC2M	CX-NSZ309
X	TUNER(IF)	R 0815	88-121-682-080	0E	RES,6.8K-1/8W J	LHSCM	CX-SNSZ329
X	TUNER(IF)	R 0818	88-108-103-080	0E	C-RES,U 10K-1/16W J	HASC2M	CX-NSZ309
X	TUNER(IF)	R 0818	88-108-103-080	0E	C-RES,U 10K-1/16W J	LHSCM	CX-SNSZ329
X	TUNER(IF)	R 0821	88-108-000-080	0E	C-JUMPER,U	HASC2M	CX-NSZ309
X	TUNER(IF)	R 0821	88-108-000-080	0E	C-JUMPER,U	LHSCM	CX-SNSZ329
X	TUNER(IF)	R 0823	88-108-333-080	0E	C-RES,U 33K-1/16W J	HASC2M	CX-NSZ309
X	TUNER(IF)	R 0823	88-108-333-080	0E	C-RES,U 33K-1/16W J	LHSCM	CX-SNSZ329
X	TUNER(IF)	R 0824	88-108-102-080	0E	C-RES,U 1K-1/16W J	HASC2M	CX-NSZ309

# PARTS LIST

! =  $\Delta$  SAFTY PARTS  
 C = Components marked

All components used on this model at the production line are shown in this service manual.

However, please note that not all components will be available as spare parts for after-sales service.

Components marked S and O are designated as spare parts for service and will be stocked at the spare parts centers.

Components marked X and R are not designated as spare parts for after sales service, and will not be stocked at the spare parts centers.

K NO. = Only use Japanese.

! C	UNIT NAME	REF NO.	PARTS CODE	K NO.	DESCRIPTION	SUFFIX	MODEL NAME
X	TUNER (IF)	R 0824	88-108-102-080	0E	C-RES,U 1K-1/16W J	LHSCM	CX-SNSZ329
X	TUNER (IF)	R 0825	88-108-473-080	0E	C-RES,U 47K-1/16W J	HASC2M	CX-NSZ309
X	TUNER (IF)	R 0825	88-108-473-080	0E	C-RES,U 47K-1/16W J	LHSCM	CX-SNSZ329
X	TUNER (IF)	R 0826	88-108-223-080	0E	C-RES,U 22K-1/16W J	HASC2M	CX-NSZ309
X	TUNER (IF)	R 0826	88-108-223-080	0E	C-RES,U 22K-1/16W J	LHSCM	CX-SNSZ329
O	TUNER (PLL)	C 0971	87-A12-067-080	0E	CAP,E 330-16 SMG	HASC2M	CX-NSZ309
O	TUNER (PLL)	C 0971	87-A12-067-080	0E	CAP,E 330-16 SMG	LHSCM	CX-SNSZ329
O	TUNER (PLL)	C 0972	87-A12-090-080	0E	CAP,E 4.7-50 SMG	HASC2M	CX-NSZ309
O	TUNER (PLL)	C 0972	87-A12-090-080	0E	CAP,E 4.7-50 SMG	LHSCM	CX-SNSZ329
O	TUNER (PLL)	C 0973	87-012-286-080	0E	C-CAP,U 0.01-25 K B	HASC2M	CX-NSZ309
O	TUNER (PLL)	C 0973	87-012-286-080	0E	C-CAP,U 0.01-25 K B	LHSCM	CX-SNSZ329
O	TUNER (PLL)	C 0974	87-012-286-080	0E	C-CAP,U 0.01-25 K B	HASC2M	CX-NSZ309
O	TUNER (PLL)	C 0974	87-012-286-080	0E	C-CAP,U 0.01-25 K B	LHSCM	CX-SNSZ329
O	TUNER (PLL)	C 0979	87-012-195-080	0E	C-CAP,U 100P-50 J CH	HASC2M	CX-NSZ309
O	TUNER (PLL)	C 0979	87-012-195-080	0E	C-CAP,U 100P-50 J CH	LHSCM	CX-SNSZ329
O	TUNER (PLL)	C 0981	87-A12-071-080	0E	CAP,E 47-25 SMG	HASC2M	CX-NSZ309
O	TUNER (PLL)	C 0981	87-A12-071-080	0E	CAP,E 47-25 SMG	LHSCM	CX-SNSZ329
O	TUNER (PLL)	C 0982	87-010-831-080	0E	C-CAP,U 0.1-16 Z F	HASC2M	CX-NSZ309
O	TUNER (PLL)	C 0982	87-010-831-080	0E	C-CAP,U 0.1-16 Z F	LHSCM	CX-SNSZ329
O	TUNER (PLL)	C 0983	87-012-286-080	0E	C-CAP,U 0.01-25 K B	HASC2M	CX-NSZ309
O	TUNER (PLL)	C 0983	87-012-286-080	0E	C-CAP,U 0.01-25 K B	LHSCM	CX-SNSZ329
O	TUNER (PLL)	C 0984	87-012-286-080	0E	C-CAP,U 0.01-25 K B	HASC2M	CX-NSZ309
O	TUNER (PLL)	C 0984	87-012-286-080	0E	C-CAP,U 0.01-25 K B	LHSCM	CX-SNSZ329
O	TUNER (PLL)	C 0987	87-012-286-080	0E	C-CAP,U 0.01-25 K B	HASC2M	CX-NSZ309
O	TUNER (PLL)	C 0987	87-012-286-080	0E	C-CAP,U 0.01-25 K B	LHSCM	CX-SNSZ329
O	TUNER (PLL)	C 0991	87-012-176-080	0E	C-CAP,U 15P-50 J CH	HASC2M	CX-NSZ309
O	TUNER (PLL)	C 0991	87-012-176-080	0E	C-CAP,U 15P-50 J CH	LHSCM	CX-SNSZ329
O	TUNER (PLL)	C 0992	87-012-176-080	0E	C-CAP,U 15P-50 J CH	HASC2M	CX-NSZ309
O	TUNER (PLL)	C 0992	87-012-176-080	0E	C-CAP,U 15P-50 J CH	LHSCM	CX-SNSZ329
O	TUNER (PLL)	C 0993	87-012-274-080	0E	C-CAP,U 1000P-50 K B	HASC2M	CX-NSZ309
O	TUNER (PLL)	C 0993	87-012-274-080	0E	C-CAP,U 1000P-50 K B	LHSCM	CX-SNSZ329
O	TUNER (PLL)	C 0995	87-012-274-080	0E	C-CAP,U 1000P-50 K B	HASC2M	CX-NSZ309
O	TUNER (PLL)	C 0995	87-012-274-080	0E	C-CAP,U 1000P-50 K B	LHSCM	CX-SNSZ329
O	TUNER (PLL)	C 0997	87-010-831-080	0E	C-CAP,U 0.1-16 Z F	HASC2M	CX-NSZ309
O	TUNER (PLL)	C 0997	87-010-831-080	0E	C-CAP,U 0.1-16 Z F	LHSCM	CX-SNSZ329
O	TUNER (PLL)	C 0998	87-A12-071-080	0E	CAP,E 47-25 SMG	HASC2M	CX-NSZ309
O	TUNER (PLL)	C 0998	87-A12-071-080	0E	CAP,E 47-25 SMG	LHSCM	CX-SNSZ329
O	TUNER (PLL)	C 0999	87-A11-155-080	0E	CAP,TC U 0.01-16 Z F	HASC2M	CX-NSZ309
O	TUNER (PLL)	C 0999	87-A11-155-080	0E	CAP,TC U 0.01-16 Z F	LHSCM	CX-SNSZ329
S	TUNER (PLL)	D 0991	87-017-149-080	0E	ZENER,HZS6A2L	HASC2M	CX-NSZ309
S	TUNER (PLL)	D 0991	87-017-149-080	0E	ZENER,HZS6A2L	LHSCM	CX-SNSZ329
S	TUNER (PLL)	D 0994	87-A40-291-080	0E	DIODE,1N4148M (CPT)	HASC2M	CX-NSZ309
S	TUNER (PLL)	D 0994	87-A40-291-080	0E	DIODE,1N4148M (CPT)	LHSCM	CX-SNSZ329
S	TUNER (PLL)	IC 0991	87-A21-928-010	1C	IC,LC72131D-N	HASC2M	CX-NSZ309
S	TUNER (PLL)	IC 0991	87-A21-928-010	1C	IC,LC72131D-N	LHSCM	CX-SNSZ329
X	TUNER (PLL)	JR 0971	88-129-000-080	0E	C-JUMPER, 3216	HASC2M	CX-NSZ309
X	TUNER (PLL)	JR 0971	88-129-000-080	0E	C-JUMPER, 3216	LHSCM	CX-SNSZ329
X	TUNER (PLL)	JR 0972	88-108-000-080	0E	C-JUMPER,U	HASC2M	CX-NSZ309
X	TUNER (PLL)	JR 0972	88-108-000-080	0E	C-JUMPER,U	LHSCM	CX-SNSZ329
X	TUNER (PLL)	JR 0973	88-129-000-080	0E	C-JUMPER, 3216	HASC2M	CX-NSZ309
X	TUNER (PLL)	JR 0973	88-129-000-080	0E	C-JUMPER, 3216	LHSCM	CX-SNSZ329
X	TUNER (PLL)	JR 0974	88-108-000-080	0E	C-JUMPER,U	HASC2M	CX-NSZ309
X	TUNER (PLL)	JR 0974	88-108-000-080	0E	C-JUMPER,U	LHSCM	CX-SNSZ329
X	TUNER (PLL)	JR 0976	88-108-000-080	0E	C-JUMPER,U	HASC2M	CX-NSZ309
X	TUNER (PLL)	JR 0976	88-108-000-080	0E	C-JUMPER,U	LHSCM	CX-SNSZ329
X	TUNER (PLL)	JR 0977	88-108-000-080	0E	C-JUMPER,U	HASC2M	CX-NSZ309
X	TUNER (PLL)	JR 0977	88-108-000-080	0E	C-JUMPER,U	LHSCM	CX-SNSZ329
X	TUNER (PLL)	JR 0988	88-108-000-080	0E	C-JUMPER,U	HASC2M	CX-NSZ309
X	TUNER (PLL)	JR 0988	88-108-000-080	0E	C-JUMPER,U	LHSCM	CX-SNSZ329
X	TUNER (PLL)	JR 0991	88-108-000-080	0E	C-JUMPER,U	HASC2M	CX-NSZ309
X	TUNER (PLL)	JR 0991	88-108-000-080	0E	C-JUMPER,U	LHSCM	CX-SNSZ329
S	TUNER (PLL)	Q 0981	87-A30-234-080	0E	TR,CSC4115BC	HASC2M	CX-NSZ309
S	TUNER (PLL)	Q 0981	87-A30-234-080	0E	TR,CSC4115BC	LHSCM	CX-SNSZ329
X	TUNER (PLL)	R 0975	88-108-562-080	0E	C-RES,U 5.6K-1/16W J	HASC2M	CX-NSZ309
X	TUNER (PLL)	R 0975	88-108-562-080	0E	C-RES,U 5.6K-1/16W J	LHSCM	CX-SNSZ329
X	TUNER (PLL)	R 0976	88-108-102-080	0E	C-RES,U 1K-1/16W J	HASC2M	CX-NSZ309
X	TUNER (PLL)	R 0976	88-108-102-080	0E	C-RES,U 1K-1/16W J	LHSCM	CX-SNSZ329
X	TUNER (PLL)	R 0977	88-108-102-080	0E	C-RES,U 1K-1/16W J	HASC2M	CX-NSZ309
X	TUNER (PLL)	R 0977	88-108-102-080	0E	C-RES,U 1K-1/16W J	LHSCM	CX-SNSZ329
X	TUNER (PLL)	R 0978	88-108-681-080	0E	C-RES,U 680-1/16W J	HASC2M	CX-NSZ309



# PARTS LIST

! =  $\Delta$  SAFTY PARTS  
 C = Components marked

All components used on this model at the production line are shown in this service manual.

However, please note that not all components will be available as spare parts for after-sales service.

Components marked S and O are designated as spare parts for service and will be stocked at the spare parts centers.

Components marked X and R are not designated as spare parts for after sales service, and will not be stocked at the spare parts centers.

K NO. = Only use Japanese.

! C	UNIT NAME	REF NO.	PARTS CODE	K NO.	DESCRIPTION	SUFFIX	MODEL NAME
X	TUNER (PLL)	R 0978	88-108-681-080	0E	C-RES,U 680-1/16W J	LHSCM	CX-SNSZ329
X	TUNER (PLL)	R 0980	88-108-684-080	0E	C-RES,U 680K-1/16W J	HASC2M	CX-NSZ309
X	TUNER (PLL)	R 0980	88-108-684-080	0E	C-RES,U 680K-1/16W J	LHSCM	CX-SNSZ329
X	TUNER (PLL)	R 0981	88-121-471-080	0E	RES,470-1/8W J	HASC2M	CX-NSZ309
X	TUNER (PLL)	R 0981	88-121-471-080	0E	RES,470-1/8W J	LHSCM	CX-SNSZ329
X	TUNER (PLL)	R 0982	88-108-822-080	0E	C-RES,U 8.2K-1/16W J	HASC2M	CX-NSZ309
X	TUNER (PLL)	R 0982	88-108-822-080	0E	C-RES,U 8.2K-1/16W J	LHSCM	CX-SNSZ329
X	TUNER (PLL)	R 0983	88-108-101-080	0E	C-RES,U 100-1/16W J	HASC2M	CX-NSZ309
X	TUNER (PLL)	R 0983	88-108-101-080	0E	C-RES,U 100-1/16W J	LHSCM	CX-SNSZ329
X	TUNER (PLL)	R 0984	88-121-181-080	0E	RES,180-1/8W J	HASC2M	CX-NSZ309
X	TUNER (PLL)	R 0984	88-121-181-080	0E	RES,180-1/8W J	LHSCM	CX-SNSZ329
X	TUNER (PLL)	R 0985	88-121-471-080	0E	RES,470-1/8W J	HASC2M	CX-NSZ309
X	TUNER (PLL)	R 0985	88-121-471-080	0E	RES,470-1/8W J	LHSCM	CX-SNSZ329
X	TUNER (PLL)	R 0986	88-108-222-080	0E	C-RES,U 2.2K-1/16W J	HASC2M	CX-NSZ309
X	TUNER (PLL)	R 0986	88-108-222-080	0E	C-RES,U 2.2K-1/16W J	LHSCM	CX-SNSZ329
X	TUNER (PLL)	R 0987	88-121-472-080	0E	RES,4.7K-1/8W J	HASC2M	CX-NSZ309
X	TUNER (PLL)	R 0987	88-121-472-080	0E	RES,4.7K-1/8W J	LHSCM	CX-SNSZ329
X	TUNER (PLL)	R 0988	88-108-103-080	0E	C-RES,U 10K-1/16W J	HASC2M	CX-NSZ309
X	TUNER (PLL)	R 0988	88-108-103-080	0E	C-RES,U 10K-1/16W J	LHSCM	CX-SNSZ329
X	TUNER (PLL)	R 0989	88-121-102-080	0E	RES,1K-1/8W J	HASC2M	CX-NSZ309
X	TUNER (PLL)	R 0989	88-121-102-080	0E	RES,1K-1/8W J	LHSCM	CX-SNSZ329
X	TUNER (PLL)	R 0990	88-108-563-080	0E	C-RES,U 56K-1/16W J	HASC2M	CX-NSZ309
X	TUNER (PLL)	R 0990	88-108-563-080	0E	C-RES,U 56K-1/16W J	LHSCM	CX-SNSZ329
O	TUNER (PLL)	R 0991	87-012-195-080	0E	C-CAP,U 100P-50 J CH	HASC2M	CX-NSZ309
O	TUNER (PLL)	R 0991	87-012-195-080	0E	C-CAP,U 100P-50 J CH	LHSCM	CX-SNSZ329
X	TUNER (PLL)	R 0992	88-108-103-080	0E	C-RES,U 10K-1/16W J	HASC2M	CX-NSZ309
X	TUNER (PLL)	R 0992	88-108-103-080	0E	C-RES,U 10K-1/16W J	LHSCM	CX-SNSZ329
O	TUNER (PLL)	R 0993	87-012-195-080	0E	C-CAP,U 100P-50 J CH	HASC2M	CX-NSZ309
O	TUNER (PLL)	R 0993	87-012-195-080	0E	C-CAP,U 100P-50 J CH	LHSCM	CX-SNSZ329
X	TUNER (PLL)	R 0994	88-108-103-080	0E	C-RES,U 10K-1/16W J	HASC2M	CX-NSZ309
X	TUNER (PLL)	R 0994	88-108-103-080	0E	C-RES,U 10K-1/16W J	LHSCM	CX-SNSZ329
O	TUNER (PLL)	R 0995	87-012-195-080	0E	C-CAP,U 100P-50 J CH	HASC2M	CX-NSZ309
O	TUNER (PLL)	R 0995	87-012-195-080	0E	C-CAP,U 100P-50 J CH	LHSCM	CX-SNSZ329
X	TUNER (PLL)	R 0996	88-108-103-080	0E	C-RES,U 10K-1/16W J	HASC2M	CX-NSZ309
X	TUNER (PLL)	R 0996	88-108-103-080	0E	C-RES,U 10K-1/16W J	LHSCM	CX-SNSZ329
X	TUNER (PLL)	R 0997	88-108-154-080	0E	C-RES,U 150K-1/16W J	HASC2M	CX-NSZ309
X	TUNER (PLL)	R 0997	88-108-154-080	0E	C-RES,U 150K-1/16W J	LHSCM	CX-SNSZ329
X	TUNER (PLL)	R 0998	88-108-102-080	0E	C-RES,U 1K-1/16W J	HASC2M	CX-NSZ309
X	TUNER (PLL)	R 0998	88-108-102-080	0E	C-RES,U 1K-1/16W J	LHSCM	CX-SNSZ329
X	TUNER (PLL)	R 0999	88-108-103-080	0E	C-RES,U 10K-1/16W J	HASC2M	CX-NSZ309
X	TUNER (PLL)	R 0999	88-108-103-080	0E	C-RES,U 10K-1/16W J	LHSCM	CX-SNSZ329
O	TUNER (PLL)	X 0992	87-A70-306-010	1A	VIB,XTAL 4.500MHZ CSA-309ST	HASC2M	CX-NSZ309
O	TUNER (PLL)	X 0992	87-A70-306-010	1A	VIB,XTAL 4.500MHZ CSA-309ST	LHSCM	CX-SNSZ329
X	TUNER (RDS)	JR 0871	88-108-000-080	0E	C-JUMPER,U	HASC2M	CX-NSZ309
X	TUNER (RDS)	JR 0871	88-108-000-080	0E	C-JUMPER,U	LHSCM	CX-SNSZ329
X	TUNER (RDS)	JR 0873	88-108-000-080	0E	C-JUMPER,U	HASC2M	CX-NSZ309
X	TUNER (RDS)	JR 0873	88-108-000-080	0E	C-JUMPER,U	LHSCM	CX-SNSZ329
O	TUNER (RF)	C 0842	87-012-286-080	0E	C-CAP,U 0.01-25 K B	HASC2M	CX-NSZ309
O	TUNER (RF)	C 0842	87-012-286-080	0E	C-CAP,U 0.01-25 K B	LHSCM	CX-SNSZ329
X	TUNER (RF)	C 0843	88-108-000-080	0E	C-JUMPER,U	HASC2M	CX-NSZ309
X	TUNER (RF)	C 0843	88-108-000-080	0E	C-JUMPER,U	LHSCM	CX-SNSZ329
O	TUNER (RF)	C 0844	87-012-286-080	0E	C-CAP,U 0.01-25 K B	HASC2M	CX-NSZ309
O	TUNER (RF)	C 0844	87-012-286-080	0E	C-CAP,U 0.01-25 K B	LHSCM	CX-SNSZ329
X	TUNER (RF)	C 0845	88-108-000-080	0E	C-JUMPER,U	HASC2M	CX-NSZ309
X	TUNER (RF)	C 0845	88-108-000-080	0E	C-JUMPER,U	LHSCM	CX-SNSZ329
X	TUNER (RF)	C 0846	88-108-000-080	0E	C-JUMPER,U	HASC2M	CX-NSZ309
X	TUNER (RF)	C 0846	88-108-000-080	0E	C-JUMPER,U	LHSCM	CX-SNSZ329
X	TUNER (RF)	C 0847	88-108-000-080	0E	C-JUMPER,U	HASC2M	CX-NSZ309
X	TUNER (RF)	C 0847	88-108-000-080	0E	C-JUMPER,U	LHSCM	CX-SNSZ329
X	TUNER (RF)	C 0848	88-108-000-080	0E	C-JUMPER,U	HASC2M	CX-NSZ309
X	TUNER (RF)	C 0848	88-108-000-080	0E	C-JUMPER,U	LHSCM	CX-SNSZ329
X	TUNER (RF)	C 0849	88-108-000-080	0E	C-JUMPER,U	HASC2M	CX-NSZ309
X	TUNER (RF)	C 0849	88-108-000-080	0E	C-JUMPER,U	LHSCM	CX-SNSZ329
O	TUNER (RF)	C 0850	87-A12-071-080	0E	CAP,E 47-25 SMG	HASC2M	CX-NSZ309
O	TUNER (RF)	C 0850	87-A12-071-080	0E	CAP,E 47-25 SMG	LHSCM	CX-SNSZ329
O	TUNER (RF)	C 0851	87-012-286-080	0E	C-CAP,U 0.01-25 K B	HASC2M	CX-NSZ309
O	TUNER (RF)	C 0851	87-012-286-080	0E	C-CAP,U 0.01-25 K B	LHSCM	CX-SNSZ329
O	TUNER (RF)	C 0852	87-012-286-080	0E	C-CAP,U 0.01-25 K B	HASC2M	CX-NSZ309
O	TUNER (RF)	C 0852	87-012-286-080	0E	C-CAP,U 0.01-25 K B	LHSCM	CX-SNSZ329
O	TUNER (RF)	C 0853	87-012-286-080	0E	C-CAP,U 0.01-25 K B	HASC2M	CX-NSZ309

# PARTS LIST

! =  $\Delta$  SAFTY PARTS  
 C = Components marked

All components used on this model at the production line are shown in this service manual.

However, please note that not all components will be available as spare parts for after-sales service.

Components marked S and O are designated as spare parts for service and will be stocked at the spare parts centers.

Components marked X and R are not designated as spare parts for after sales service, and will not be stocked at the spare parts centers.

K NO. = Only use Japanese.

! C	UNIT NAME	REF NO.	PARTS CODE	K NO.	DESCRIPTION	SUFFIX	MODEL NAME
O	TUNER(RF)	C 0853	87-012-286-080	0E	C-CAP,U 0.01-25 K B	LHSCM	CX-SNSZ329
O	TUNER(RF)	C 0858	87-010-831-080	0E	C-CAP,U 0.1-16 Z F	HASC2M	CX-NSZ309
O	TUNER(RF)	C 0858	87-010-831-080	0E	C-CAP,U 0.1-16 Z F	LHSCM	CX-SNSZ329
X	TUNER(RF)	C 0940	88-108-000-080	0E	C-JUMPER,U	HASC2M	CX-NSZ309
X	TUNER(RF)	C 0940	88-108-000-080	0E	C-JUMPER,U	LHSCM	CX-SNSZ329
O	TUNER(RF)	C 0959	87-010-831-080	0E	C-CAP,U 0.1-16 Z F	HASC2M	CX-NSZ309
O	TUNER(RF)	C 0959	87-010-831-080	0E	C-CAP,U 0.1-16 Z F	LHSCM	CX-SNSZ329
O	TUNER(RF)	C 0960	87-010-831-080	0E	C-CAP,U 0.1-16 Z F	HASC2M	CX-NSZ309
O	TUNER(RF)	C 0960	87-010-831-080	0E	C-CAP,U 0.1-16 Z F	LHSCM	CX-SNSZ329
O	TUNER(RF)	C 0961	87-012-167-080	0E	C-CAP,U 5P-50 C CH	HASC2M	CX-NSZ309
O	TUNER(RF)	C 0961	87-012-167-080	0E	C-CAP,U 5P-50 C CH	LHSCM	CX-SNSZ329
O	TUNER(RF)	C 0963	87-015-785-080	0E	C-CAP, 0.1-25 Z F C3216	HASC2M	CX-NSZ309
O	TUNER(RF)	C 0963	87-015-785-080	0E	C-CAP, 0.1-25 Z F C3216	LHSCM	CX-SNSZ329
O	TUNER(RF)	CF 0831	87-008-261-010	1A	FLTR,CF SFE10.7MA5	HASC2M	CX-NSZ309
O	TUNER(RF)	CF 0831	87-008-261-010	1A	FLTR,CF SFE10.7MA5	LHSCM	CX-SNSZ329
O	TUNER(RF)	CF 0832	87-008-261-010	1A	FLTR,CF SFE10.7MA5	HASC2M	CX-NSZ309
O	TUNER(RF)	CF 0832	87-008-261-010	1A	FLTR,CF SFE10.7MA5	LHSCM	CX-SNSZ329
X	TUNER(RF)	D 0944	88-100-000-010	0E	PLATING-JW, 0.58 SN95	LHSCM	CX-SNSZ329
!	O	J 0831	87-A60-202-010	1A	TERMINAL,ANT 4P MSP-154V-02	HASC2M	CX-NSZ309
!	O	J 0831	87-A60-202-010	1A	TERMINAL,ANT 4P MSP-154V-02	LHSCM	CX-SNSZ329
X	TUNER(RF)	JR 0834	88-108-000-080	0E	C-JUMPER,U	HASC2M	CX-NSZ309
X	TUNER(RF)	JR 0834	88-108-000-080	0E	C-JUMPER,U	LHSCM	CX-SNSZ329
X	TUNER(RF)	JR 0835	88-108-561-080	0E	C-RES,U 560-1/16W J	HASC2M	CX-NSZ309
X	TUNER(RF)	JR 0835	88-108-561-080	0E	C-RES,U 560-1/16W J	LHSCM	CX-SNSZ329
X	TUNER(RF)	JR 0851	88-129-000-080	0E	C-JUMPER, 3216	HASC2M	CX-NSZ309
X	TUNER(RF)	JR 0851	88-129-000-080	0E	C-JUMPER, 3216	LHSCM	CX-SNSZ329
X	TUNER(RF)	JR 0943	88-108-000-080	0E	C-JUMPER,U	HASC2M	CX-NSZ309
X	TUNER(RF)	JR 0943	88-108-000-080	0E	C-JUMPER,U	LHSCM	CX-SNSZ329
X	TUNER(RF)	JR 0946	88-108-000-080	0E	C-JUMPER,U	HASC2M	CX-NSZ309
X	TUNER(RF)	JR 0946	88-108-000-080	0E	C-JUMPER,U	LHSCM	CX-SNSZ329
X	TUNER(RF)	JR 0951	88-108-000-080	0E	C-JUMPER,U	HASC2M	CX-NSZ309
X	TUNER(RF)	JR 0951	88-108-000-080	0E	C-JUMPER,U	LHSCM	CX-SNSZ329
X	TUNER(RF)	JR 0952	88-108-000-080	0E	C-JUMPER,U	HASC2M	CX-NSZ309
X	TUNER(RF)	JR 0952	88-108-000-080	0E	C-JUMPER,U	LHSCM	CX-SNSZ329
X	TUNER(RF)	JR 0954	88-108-000-080	0E	C-JUMPER,U	HASC2M	CX-NSZ309
X	TUNER(RF)	JR 0954	88-108-000-080	0E	C-JUMPER,U	LHSCM	CX-SNSZ329
X	TUNER(RF)	JR 0955	88-108-000-080	0E	C-JUMPER,U	HASC2M	CX-NSZ309
X	TUNER(RF)	JR 0955	88-108-000-080	0E	C-JUMPER,U	LHSCM	CX-SNSZ329
X	TUNER(RF)	JR 0964	88-129-000-080	0E	C-JUMPER, 3216	HASC2M	CX-NSZ309
X	TUNER(RF)	JR 0964	88-129-000-080	0E	C-JUMPER, 3216	LHSCM	CX-SNSZ329
O	TUNER(RF)	L 0832	87-005-847-080	0E	COIL,2.2UH K CECS	HASC2M	CX-NSZ309
O	TUNER(RF)	L 0832	87-005-847-080	0E	COIL,2.2UH K CECS	LHSCM	CX-SNSZ329
O	TUNER(RF)	L 0951	8A-NF8-667-010	1C	COIL,AM PACK 4(TOK)	HASC2M	CX-NSZ309
O	TUNER(RF)	L 0951	8A-NF8-667-010	1C	COIL,AM PACK 4(TOK)	LHSCM	CX-SNSZ329
S	TUNER(RF)	Q 0835	89-327-143-080	0E	C-TR,2SC27140	HASC2M	CX-NSZ309
S	TUNER(RF)	Q 0835	89-327-143-080	0E	C-TR,2SC27140	LHSCM	CX-SNSZ329
S	TUNER(RF)	Q 0836	87-A30-489-080	0E	C-TR,KRA107S	HASC2M	CX-NSZ309
S	TUNER(RF)	Q 0836	87-A30-489-080	0E	C-TR,KRA107S	LHSCM	CX-SNSZ329
X	TUNER(RF)	R 0832	88-108-391-080	0E	C-RES,U 390-1/16W J	HASC2M	CX-NSZ309
X	TUNER(RF)	R 0832	88-108-391-080	0E	C-RES,U 390-1/16W J	LHSCM	CX-SNSZ329
X	TUNER(RF)	R 0836	88-108-102-080	0E	C-RES,U 1K-1/16W J	HASC2M	CX-NSZ309
X	TUNER(RF)	R 0836	88-108-102-080	0E	C-RES,U 1K-1/16W J	LHSCM	CX-SNSZ329
X	TUNER(RF)	R 0840	88-108-221-080	0E	C-RES,U 220-1/16W J	HASC2M	CX-NSZ309
X	TUNER(RF)	R 0840	88-108-221-080	0E	C-RES,U 220-1/16W J	LHSCM	CX-SNSZ329
X	TUNER(RF)	R 0850	88-108-103-080	0E	C-RES,U 10K-1/16W J	HASC2M	CX-NSZ309
X	TUNER(RF)	R 0850	88-108-103-080	0E	C-RES,U 10K-1/16W J	LHSCM	CX-SNSZ329
X	TUNER(RF)	R 0851	88-108-000-080	0E	C-JUMPER,U	HASC2M	CX-NSZ309
X	TUNER(RF)	R 0851	88-108-000-080	0E	C-JUMPER,U	LHSCM	CX-SNSZ329
X	TUNER(RF)	R 0852	88-108-103-080	0E	C-RES,U 10K-1/16W J	HASC2M	CX-NSZ309
X	TUNER(RF)	R 0852	88-108-103-080	0E	C-RES,U 10K-1/16W J	LHSCM	CX-SNSZ329
X	TUNER(RF)	R 0853	88-108-102-080	0E	C-RES,U 1K-1/16W J	HASC2M	CX-NSZ309
X	TUNER(RF)	R 0853	88-108-102-080	0E	C-RES,U 1K-1/16W J	LHSCM	CX-SNSZ329
X	TUNER(RF)	R 0854	88-108-331-080	0E	C-RES,U 330-1/16W J	HASC2M	CX-NSZ309
X	TUNER(RF)	R 0854	88-108-331-080	0E	C-RES,U 330-1/16W J	LHSCM	CX-SNSZ329
X	TUNER(RF)	R 0855	88-108-183-080	0E	C-RES,U 18K-1/16W J	HASC2M	CX-NSZ309
X	TUNER(RF)	R 0855	88-108-183-080	0E	C-RES,U 18K-1/16W J	LHSCM	CX-SNSZ329
X	TUNER(RF)	R 0856	88-108-103-080	0E	C-RES,U 10K-1/16W J	HASC2M	CX-NSZ309
X	TUNER(RF)	R 0856	88-108-103-080	0E	C-RES,U 10K-1/16W J	LHSCM	CX-SNSZ329
X	TUNER(RF)	R 0857	88-108-181-080	0E	C-RES,U 180-1/16W J	HASC2M	CX-NSZ309
X	TUNER(RF)	R 0857	88-108-181-080	0E	C-RES,U 180-1/16W J	LHSCM	CX-SNSZ329

# PARTS LIST

- ! =  $\Delta$  SAFTY PARTS  
 C = Components marked

All components used on this model at the production line are shown in this service manual.

However, please note that not all components will be available as spare parts for after-sales service.

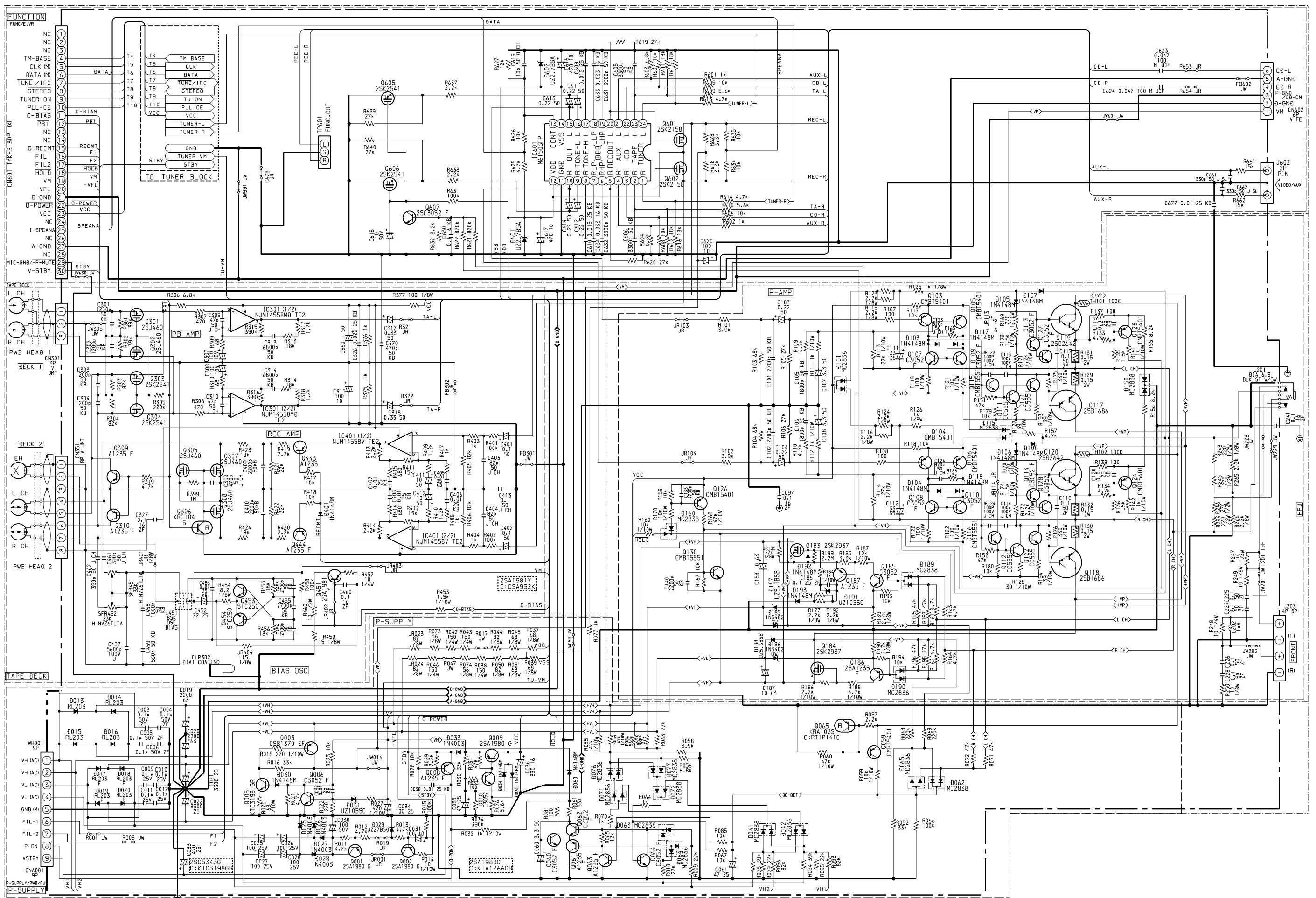
Components marked S and O are designated as spare parts for service and will be stocked at the spare parts centers.

Components marked X and R are not designated as spare parts for after sales service, and will not be stocked at the spare parts centers.

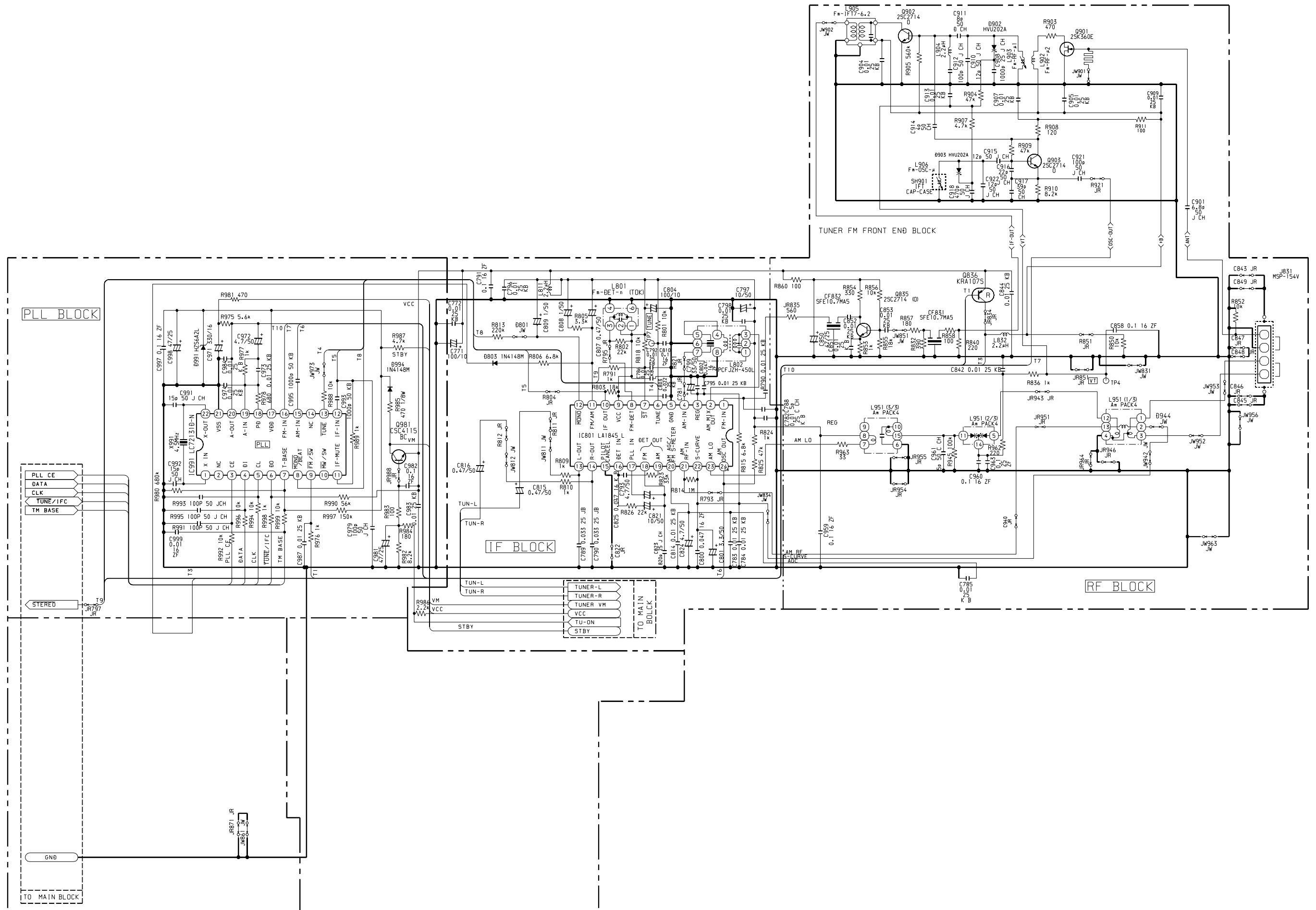
K NO. = Only use japanese.

! C	UNIT NAME	REF NO.	PARTS CODE	K NO.	DESCRIPTION	SUFFIX	MODEL NAME
X	TUNER(RF)	R 0858	88-108-101-080	0E	C-RES,U 100-1/16W J	HASC2M	CX-NSZ309
X	TUNER(RF)	R 0858	88-108-101-080	0E	C-RES,U 100-1/16W J	LHSCM	CX-SNSZ329
X	TUNER(RF)	R 0860	88-108-101-080	0E	C-RES,U 100-1/16W J	HASC2M	CX-NSZ309
X	TUNER(RF)	R 0860	88-108-101-080	0E	C-RES,U 100-1/16W J	LHSCM	CX-SNSZ329
X	TUNER(RF)	R 0921	88-108-000-080	0E	C-JUMPER,U	HASC2M	CX-NSZ309
X	TUNER(RF)	R 0921	88-108-000-080	0E	C-JUMPER,U	LHSCM	CX-SNSZ329
X	TUNER(RF)	R 0945	88-108-104-080	0E	C-RES,U 100K-1/16W J	HASC2M	CX-NSZ309
X	TUNER(RF)	R 0945	88-108-104-080	0E	C-RES,U 100K-1/16W J	LHSCM	CX-SNSZ329
X	TUNER(RF)	R 0962	88-121-221-080	0E	RES,220-1/8W J	HASC2M	CX-NSZ309
X	TUNER(RF)	R 0962	88-121-221-080	0E	RES,220-1/8W J	LHSCM	CX-SNSZ329
X	TUNER(RF)	R 0963	88-108-330-080	0E	C-RES,U 33-1/16W J	HASC2M	CX-NSZ309
X	TUNER(RF)	R 0963	88-108-330-080	0E	C-RES,U 33-1/16W J	LHSCM	CX-SNSZ329

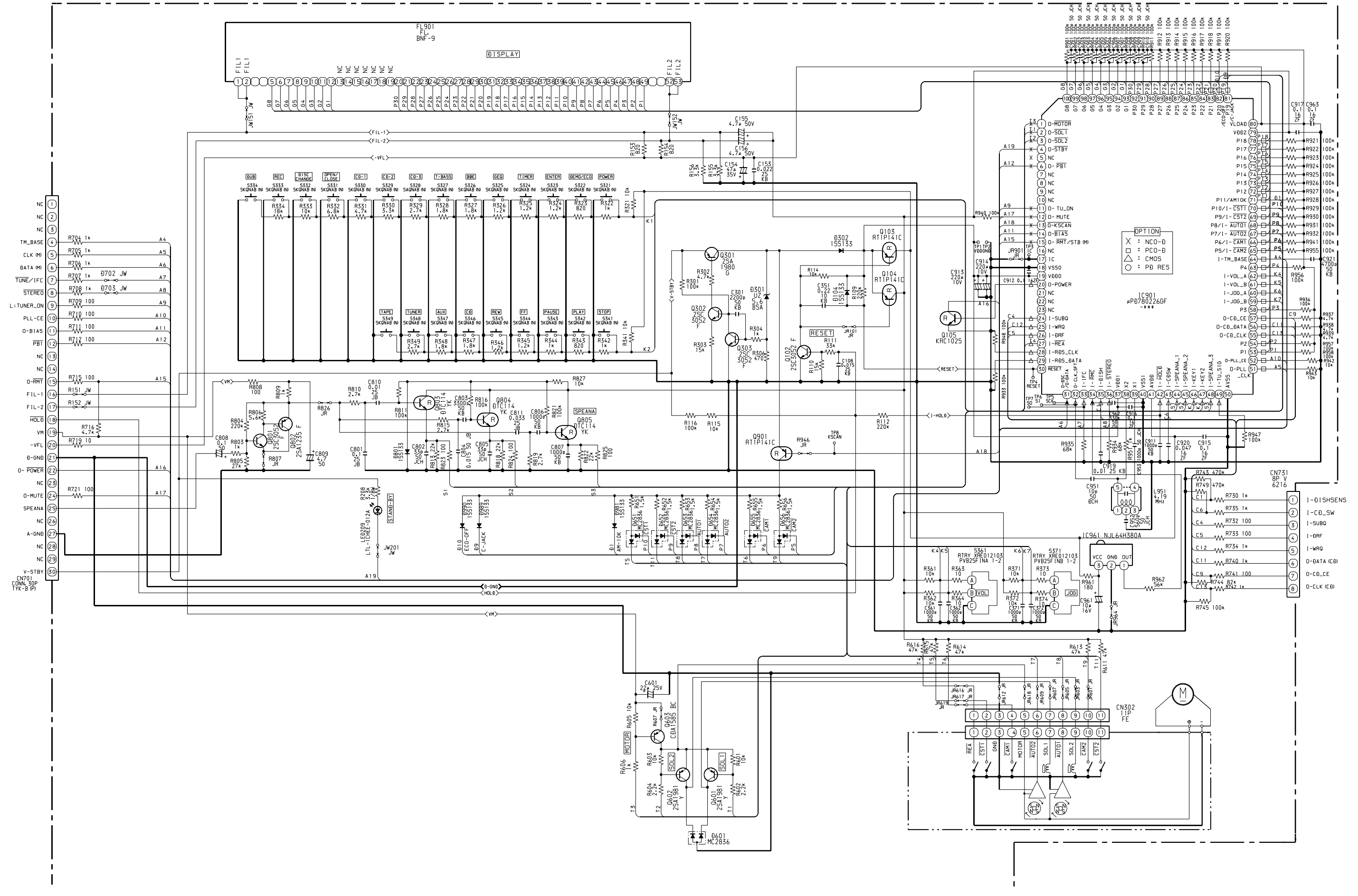
SCHEMATIC DIAGRAM - 1 (MAIN)



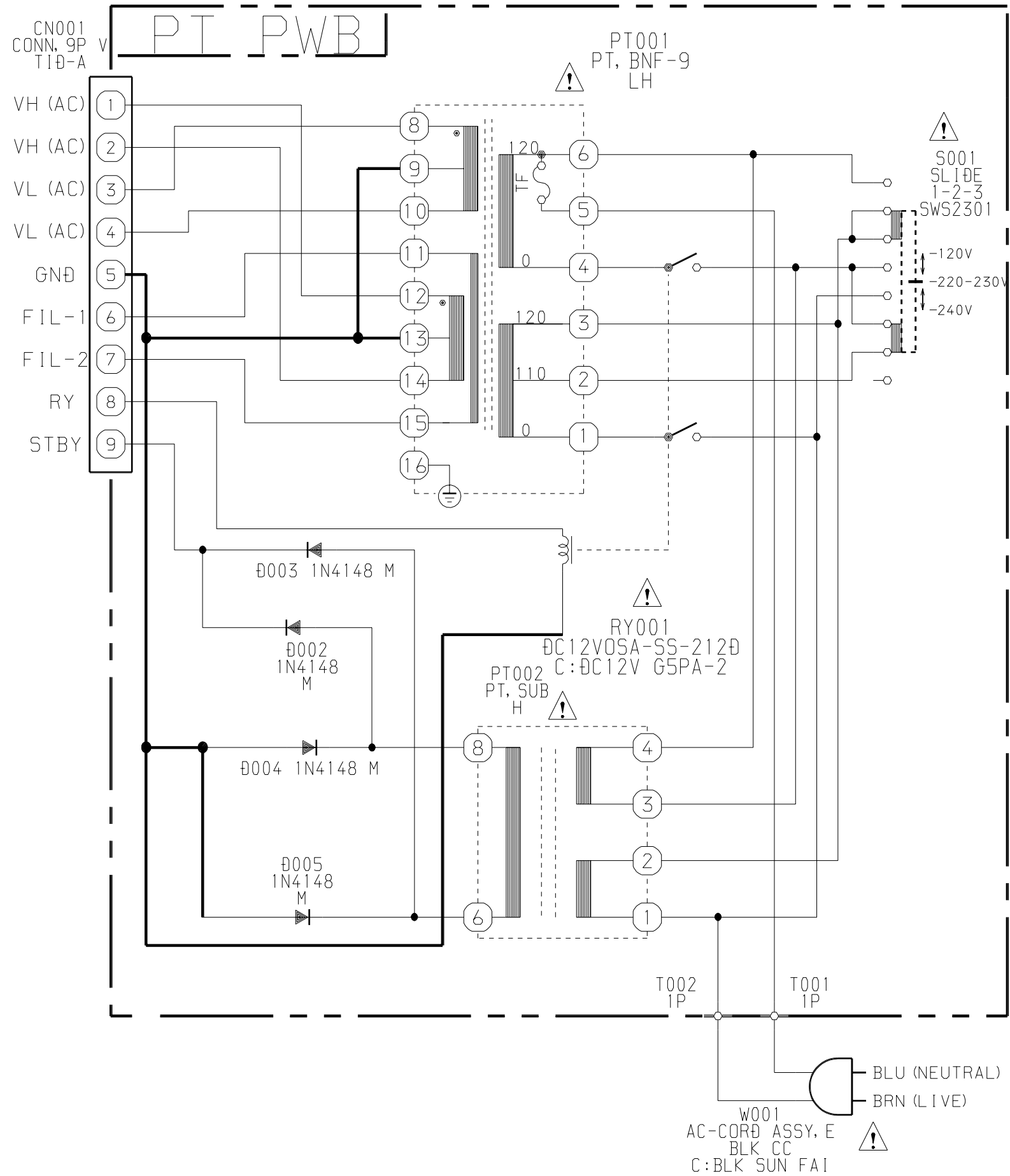
SCHEMATIC DIAGRAM - 2 (TUNER)



SCHEMATIC DIAGRAM - 3 (FRONT)



SCHEMATIC DIAGRAM-4 (PT)



**アイワ株式会社** 〒110-8710 東京都台東区池之端1-2-11 ☎03(3827)3111 (代表)  
**AIWA CO.,LTD.** 2-11, IKENOHATA 1-CHOME, TAITO-KU, TOKYO 110, JAPAN TEL:03 (3827) 3111