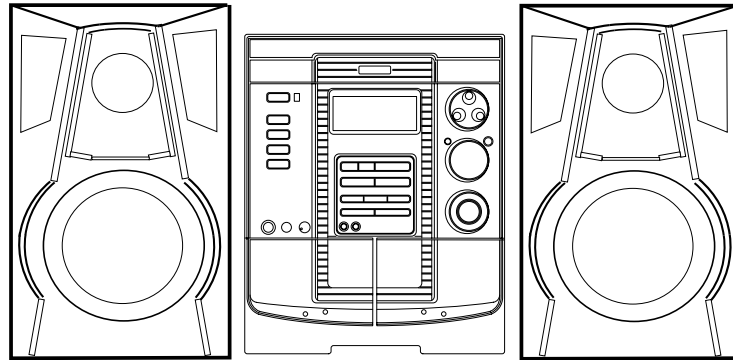




NSX-SZ310 HS
NSX-SZ319 LH
NSX-SZ519 HA



SERVICE MANUAL

COMPACT DISC
STEREO SYSTEM

BASIC TAPE MECHANISM : ZZM-3
BASIC CD MECHANISM : BZG-5

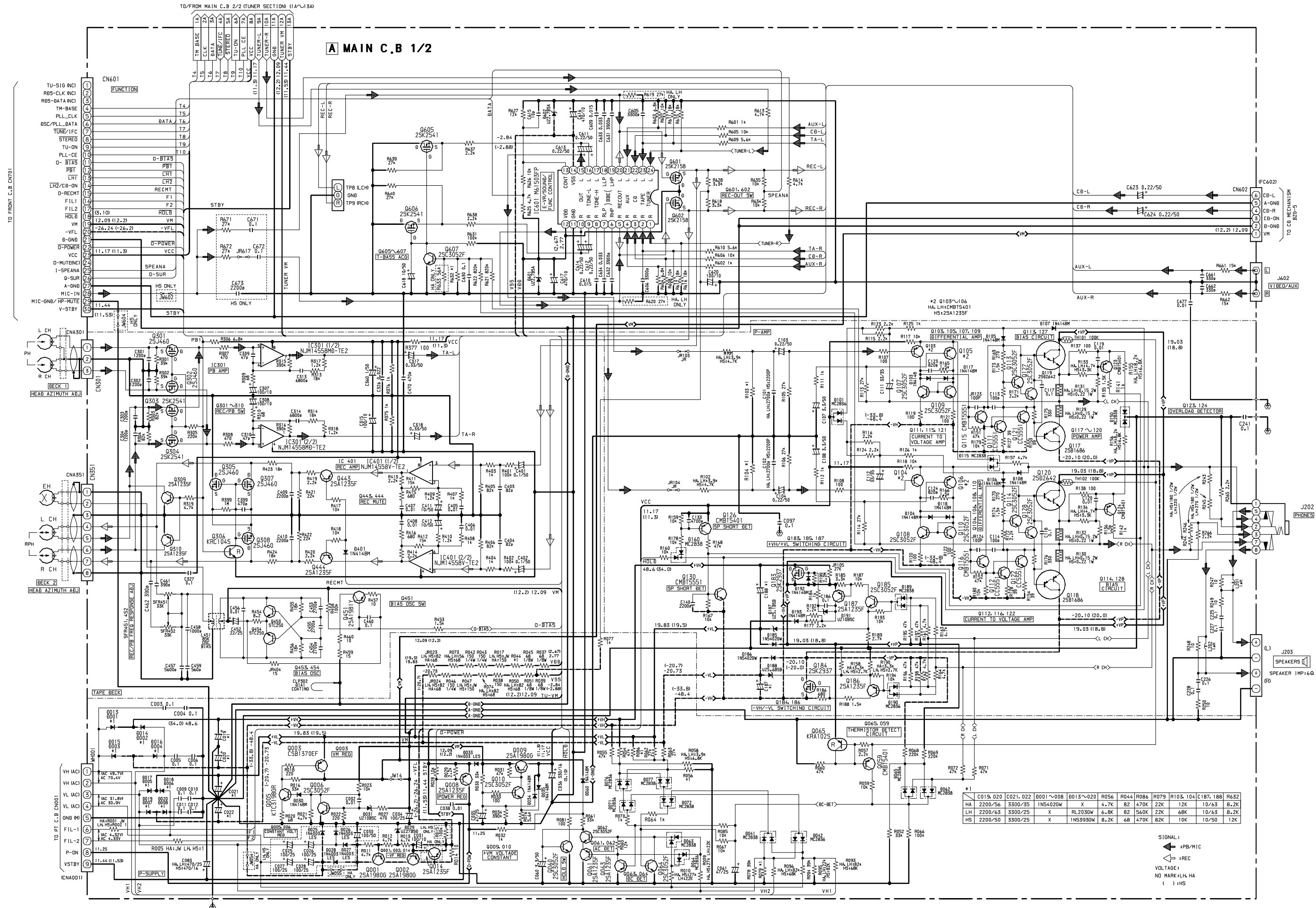
SYSTEM	CD CASSEIVER	MAIN SPEAKERS	TAPE MECHANISM	CD MECHANISM	REMOTE CONTROLLER
NSX-SZ310	CX-NSZ310	SX-NSZ312	ZZM-3 PR1NF	BZG-5 ZD3NFD	RC-ZAS02
NSX-SZ319	CX-NSZ319	SX-NSZ319	ZZM-3 YPR1NM	BZG-5 YZD3NM	
NSX-SZ519	CX-NSZ519	SX-NSZ702	ZZM-3 YPR1NM	BZG-5 YZD3NCM	

- This Service Manual contains information about the difference between NSX-SZ310 (HS) / NSX-SZ319 (LH) / NSX-SZ519 (HA) and NSX-SZ310 (LH). If requiring other information, see Service Manual of NSX-AJ310 (U) / NSX-SZ310 (K,EZ,LH) / NSX-SZ315 (EZ) / NSX-SZ510 (LH), (S/M Code No. 09-012-442-0R1).
- If requiring information about the CD mechanism, see Service Manual of BZG-5 ZD3NFD/YZD3NM, (S/M Code No. 09-00C-353-3N2), BZG-5 YZD3NCM, (S/M Code No. 09-00C-353-3N4).

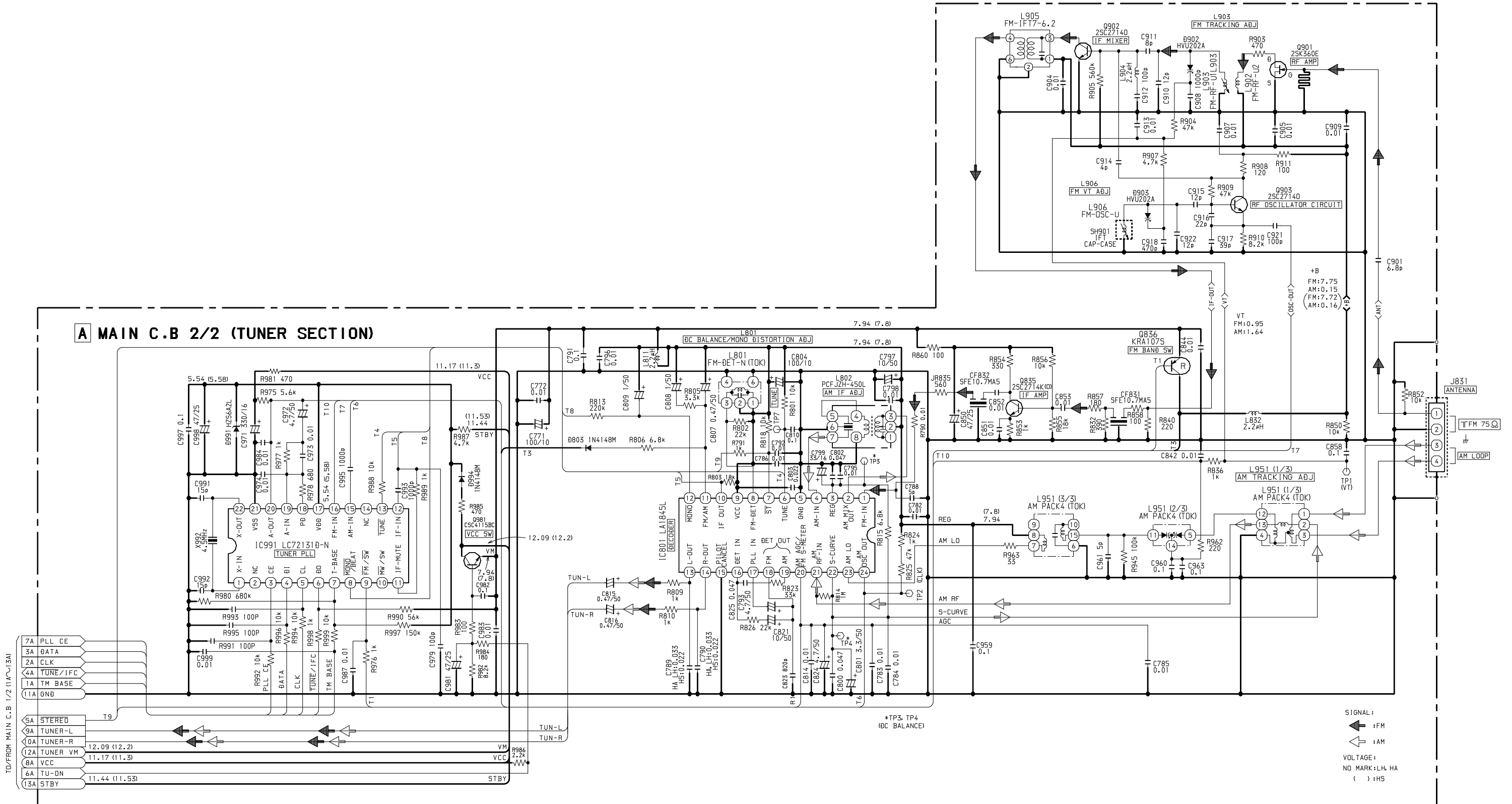
aiwa
S/M Code No. 09-014-442-0S2

SUPPLEMENT
DATA

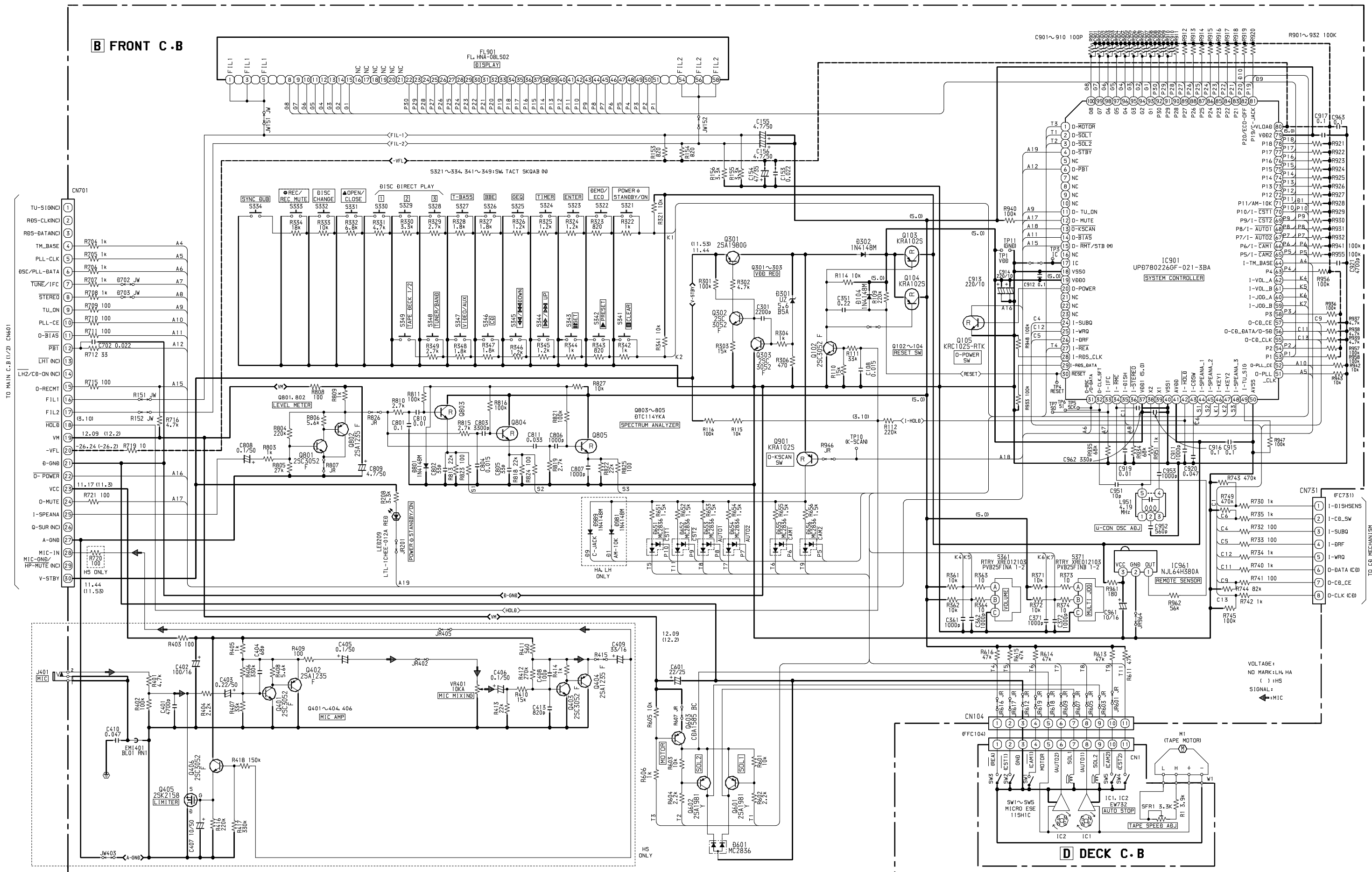
SCHEMATIC DIAGRAM - 1 (MAIN 1/2)



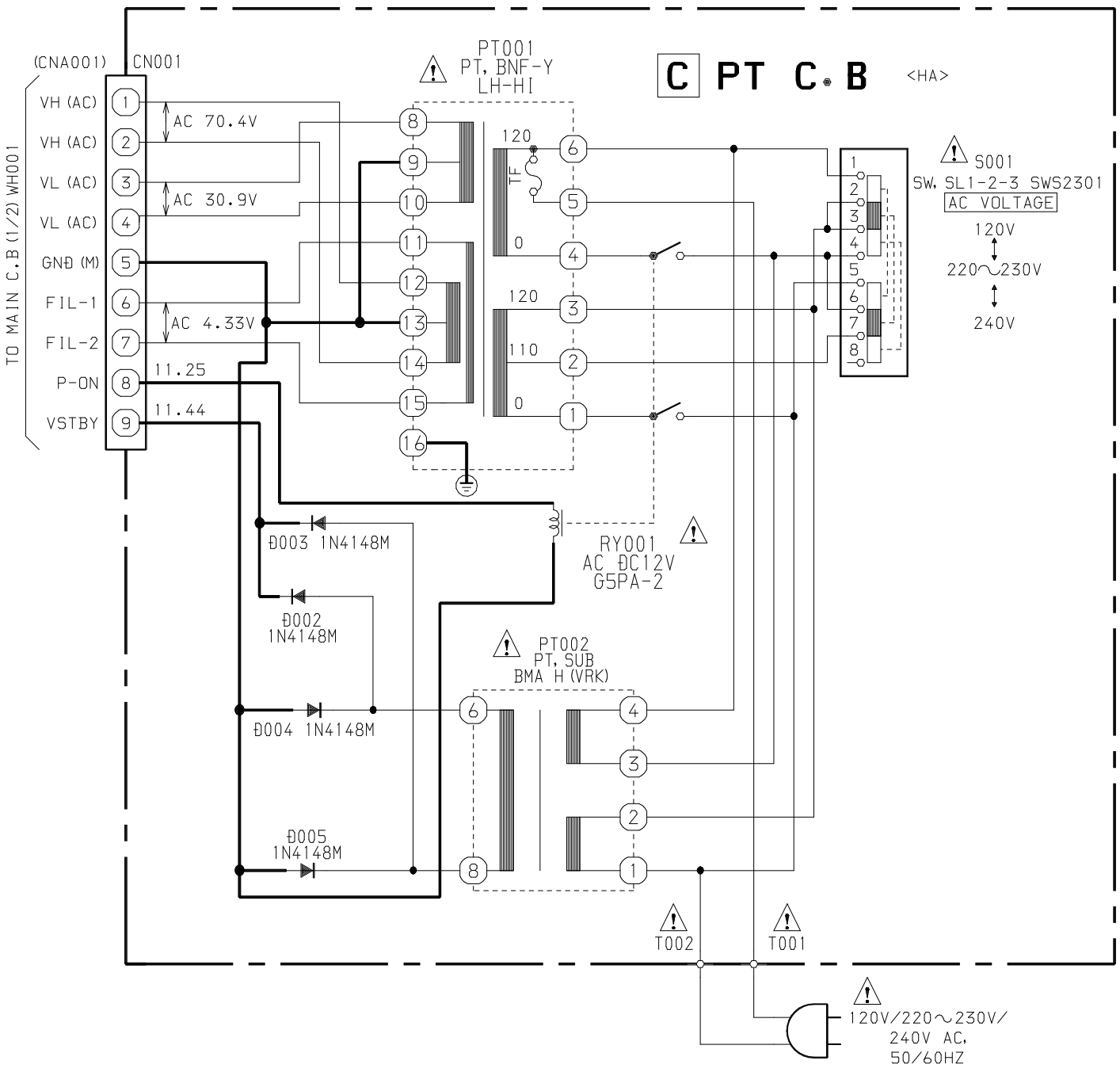
SCHEMATIC DIAGRAM-2 (MAIN 2/2 : TUNER)



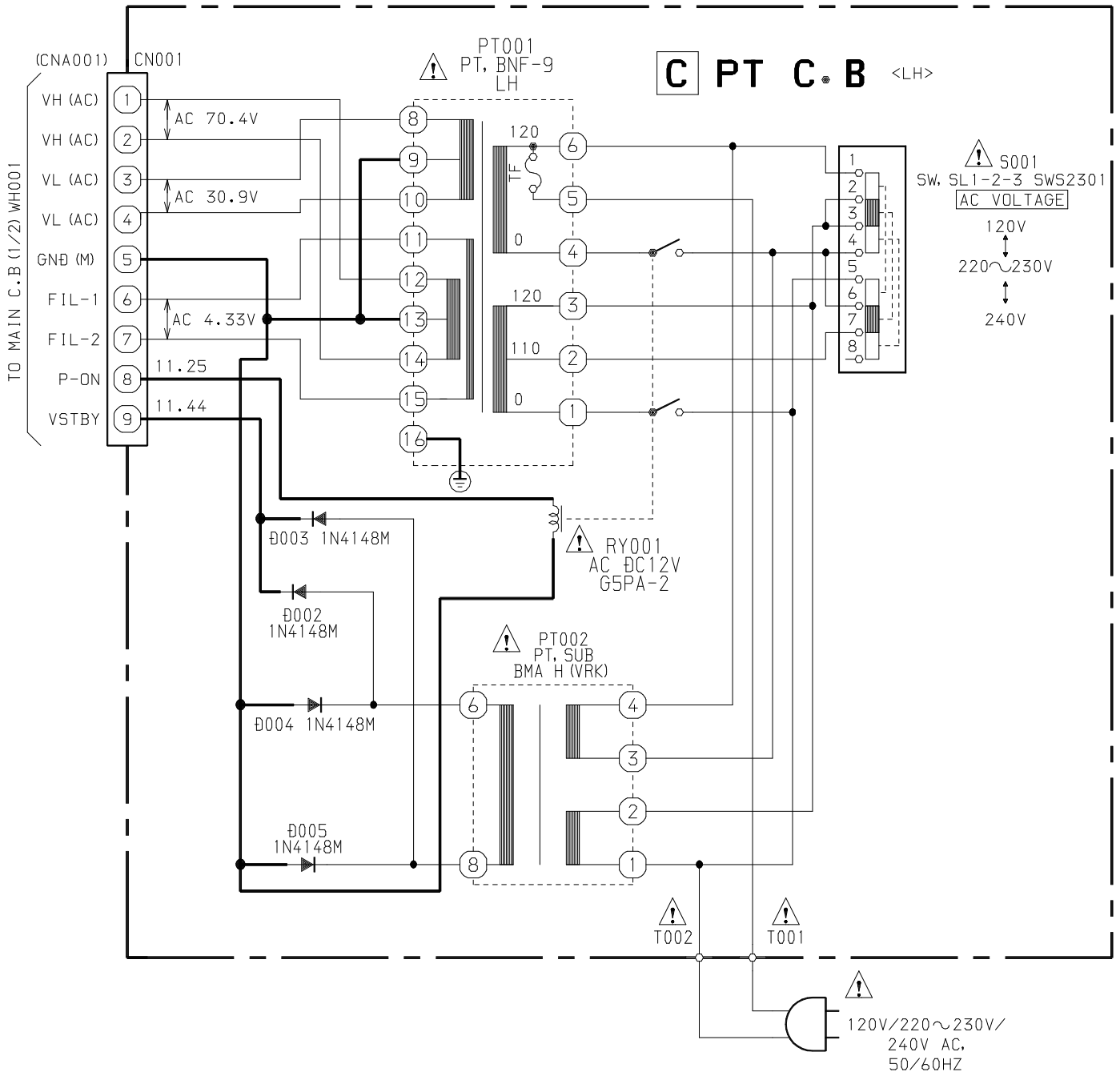
SCHEMATIC DIAGRAM - 3 (FRONT / DECK)



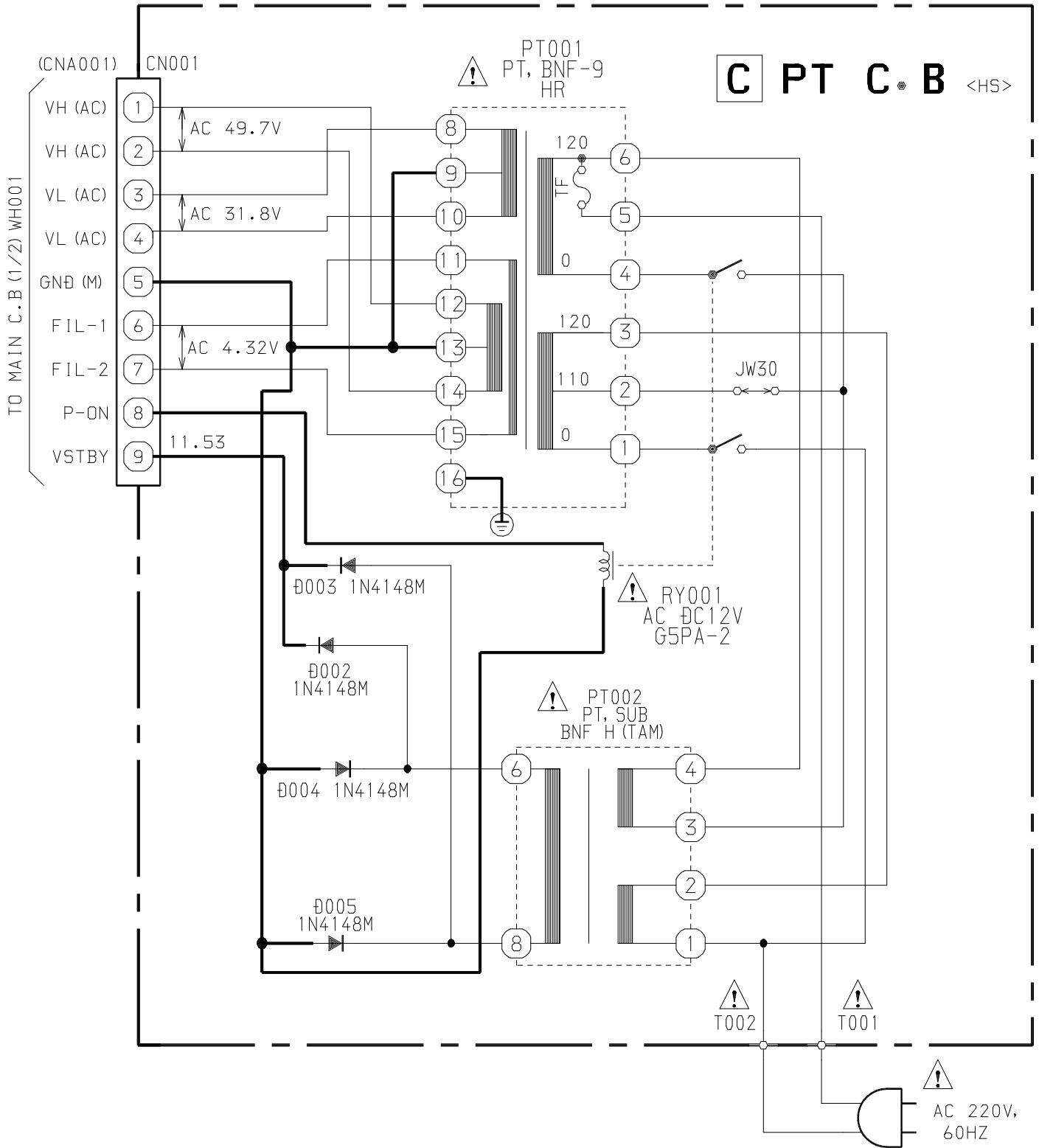
SCHEMATIC DIAGRAM-4 (HA:PT)



SCHEMATIC DIAGRAM-5 (LH:PT)



SCHEMATIC DIAGRAM-6 (HS:PT)

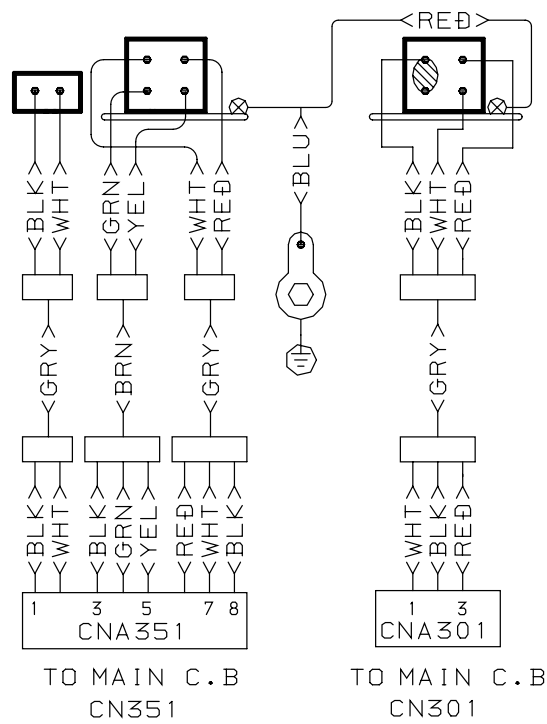
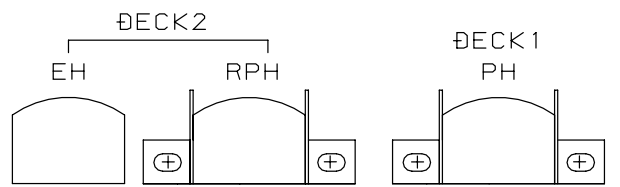
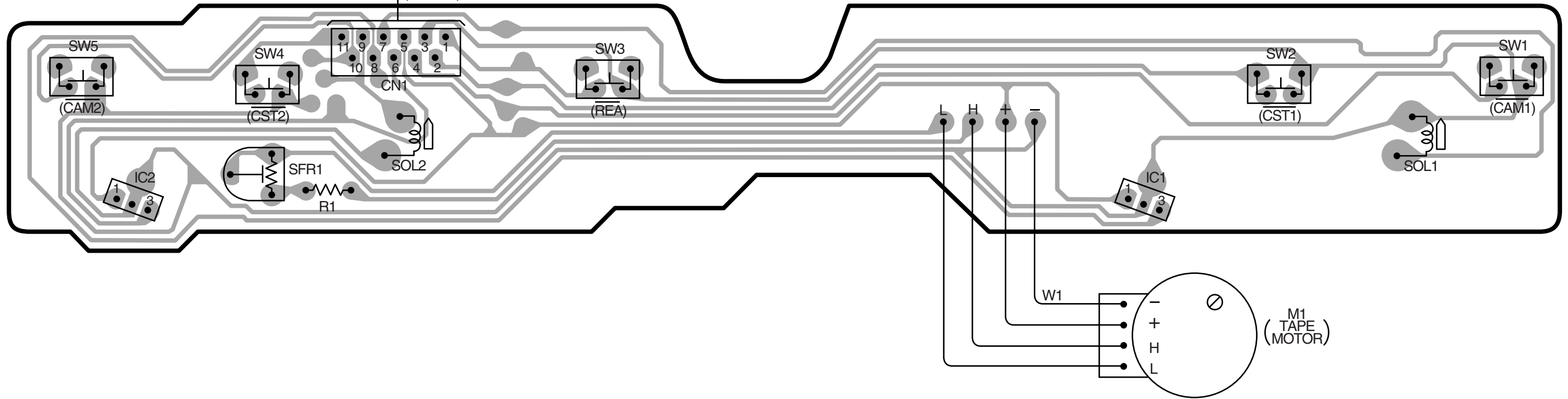


32 31 30 29 28 27 26 25 24 23 22 21 20 19 18 17 16 15 14 13 12 11 10 9 8 7 6 5 4 3 2 1

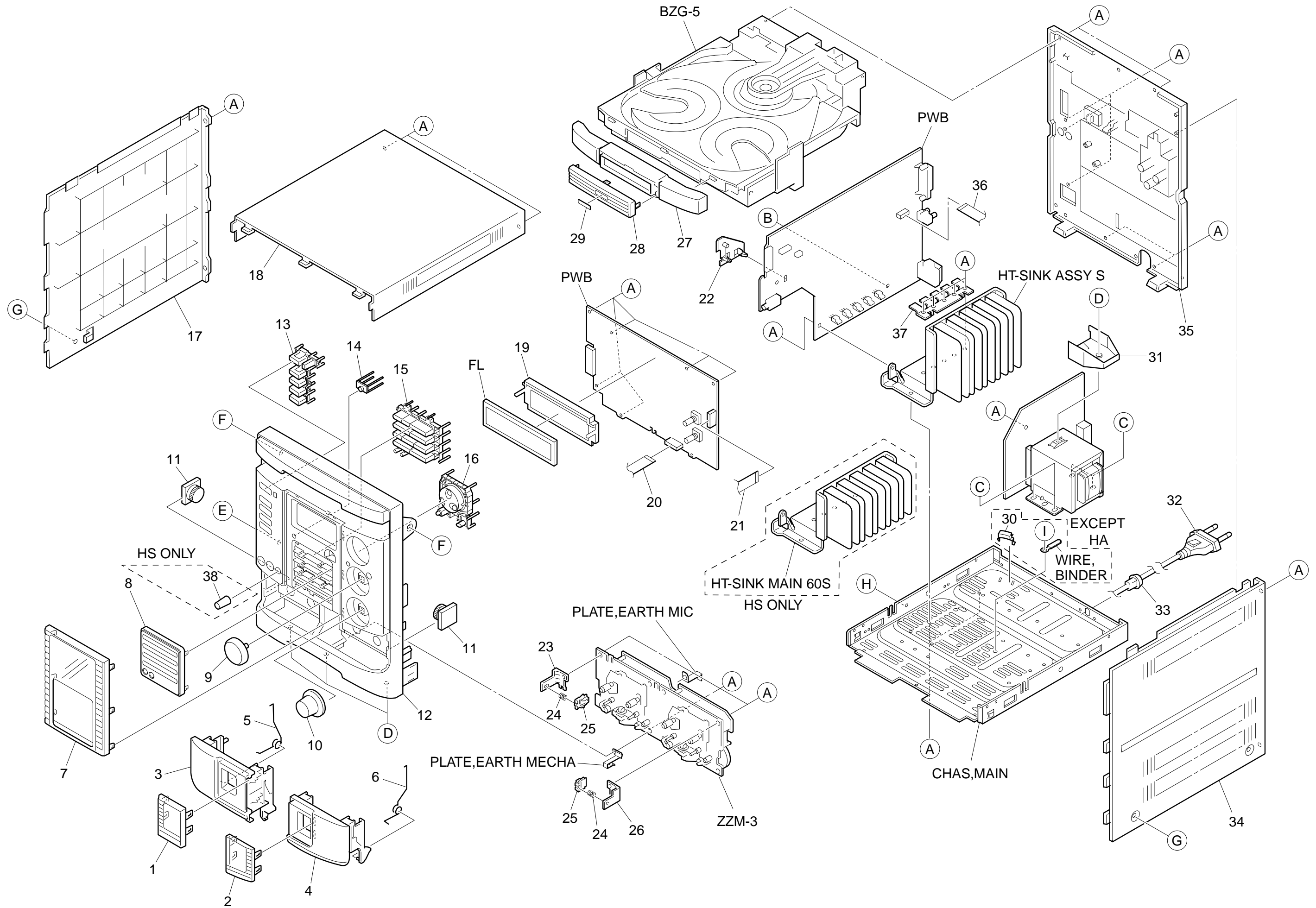
D DECK C.B

TO FRONT C.B CN104

(FFC104)



A
B
C
D
E
F
G
H
I
J
K
L
M
N
O
P
Q
R
S
T
U



アイワ株式会社 〒110-8710 東京都台東区池之端1-2-11 ☎03(3827)3111 (代表)
AIWA CO.,LTD. 2-11, IKENOHATA 1-CHOME, TAITO-KU, TOKYO 110, JAPAN TEL:03 (3827) 3111