



NSX-AJ500 U

NSX-SZ500 LH,EZ

NSX-AJ503 U

SERVICE MANUAL

COMPACT DISC STEREO SYSTEM

BASIC TAPE MECHANISM: ZZM-3 PR1NF
BASIC CD MECHANISM: BZG-5 YKZD3NF

- Replace this Service manual with "Revision Publishing" when it is issued.

aiwa

S/M Code No. 09-011-440-6T1

SIMPLE

DATA

PARTS LIST

! = Δ SAFTY PARTS
 C = Components marked

All components used on this model at the production line are shown in this service manual.

However, please note that not all components will be available as spare parts for after-sales service.

Components marked S and O are designated as spare parts for service and will be stocked at the spare parts centers.

Components marked X and R are not designated as spare parts for after sales service, and will not be stocked at the spare parts centers.

K NO. = Only use Japanese.

! C	UNIT NAME	REF NO.	PARTS CODE	K NO.	DESCRIPTION	SUFFIX	MODEL NAME	
O	AC	C 0085	87-010-831-080	0E	C-CAP,U 0.1-16 Z F	EZSFD	CX-NSZ500	
X	AC	CLP0080	87-A60-884-010	0E	PIN,DIAL COATING-SHS	USFD	CX-NAJ500	
X	AC	CLP0080	87-A60-884-010	0E	PIN,DIAL COATING-SHS	EZSFD	CX-NSZ500	
S	AC	D 0082	87-A40-270-080	0E	C-DIODE,MC2838	USFD	CX-NAJ500	
S	AC	D 0082	87-A40-270-080	0E	C-DIODE,MC2838	EZSFD	CX-NSZ500	
S	AC	D 0083	87-A40-269-080	0E	C-DIODE,MC2836	USFD	CX-NAJ500	
S	AC	D 0083	87-A40-269-080	0E	C-DIODE,MC2836	EZSFD	CX-NSZ500	
X	AC	F 0081	88-100-000-010	0E	PLATING-JW, 0.58 SN95	USFD	CX-NAJ500	
X	AC	F 0081	88-100-000-010	0E	PLATING-JW, 0.58 SN95	EZSFD	CX-NSZ500	
!	O	AC	PT 0081	8B-MA6-671-010	1B	PT,SUB BMA U (VRK)	USFD	CX-NAJ500
!	O	AC	PT 0081	8B-MA6-675-010	--	PT,SUB BMA E (VRK)	EZSFD	CX-NSZ500
X	AC	R 0097	88-140-225-080	0E	RES,2.2M-1/2W J	USFD	CX-NAJ500	
!	O	AC	RY 0081	87-A91-418-010	1B	RELAY,AC12V G5PA-1-M	USFD	CX-NAJ500
!	O	AC	RY 0081	87-A91-418-010	1B	RELAY,AC12V G5PA-1-M	EZSFD	CX-NSZ500
O	AC	T 0081	87-A60-317-010	0E	TERMINAL, 1P MSC	USFD	CX-NAJ500	
O	AC	T 0081	87-A60-317-010	0E	TERMINAL, 1P MSC	EZSFD	CX-NSZ500	
O	AC	T 0082	87-A60-317-010	0E	TERMINAL, 1P MSC	USFD	CX-NAJ500	
O	AC	T 0082	87-A60-317-010	0E	TERMINAL, 1P MSC	EZSFD	CX-NSZ500	
!	O	AC	WH 0081	87-A90-510-010	0E	HLDR,WIRE 2.5-9P	USFD	CX-NAJ500
!	O	AC	WH 0081	87-A90-510-010	0E	HLDR,WIRE 2.5-9P	EZSFD	CX-NSZ500
O	ACCESSORY		87-043-115-010		FEEDER-ANT, FM	LHSFD	CX-NSZ500	
O	ACCESSORY		87-043-115-010	1A	FEEDER-ANT, FM	USFD	CX-NAJ500	
O	ACCESSORY		87-043-115-010	1A	FEEDER-ANT, FM	USFD	CX-NAJ503	
O	ACCESSORY		87-A90-118-010	0E	ANT,WIRE FM(Z)	EZSFD	CX-NSZ500	
!	O	ACCESSORY	87-A91-017-010		PLUG,CONVERSION JT-0476	LHSFD	CX-NSZ500	
O	ACCESSORY		87-A92-150-010		ANT, LOOP AM NO-CONT	LHSFD	CX-NSZ500	
O	ACCESSORY		87-A92-150-010	1A	ANT, LOOP AM NO-CONT	USFD	CX-NAJ500	
O	ACCESSORY		87-A92-150-010	1A	ANT, LOOP AM NO-CONT	USFD	CX-NAJ503	
O	ACCESSORY		87-A92-150-010	1A	ANT, LOOP AM NO-CONT	EZSFD	CX-NSZ500	
O	ACCESSORY		8Z-NF9-701-210		RC UNIT,ZAS02	LHSFD	CX-NSZ500	
O	ACCESSORY		8Z-NF9-701-210	1H	RC UNIT,ZAS02	USFD	CX-NAJ500	
O	ACCESSORY		8Z-NF9-701-210	1H	RC UNIT,ZAS02	USFD	CX-NAJ503	
O	ACCESSORY		8Z-NF9-701-210	1H	RC UNIT,ZAS02	EZSFD	CX-NSZ500	
O	APPEARANCE		8B-NFK-001-010	1H	CABI, FR U	USFD	CX-NAJ500	
O	APPEARANCE		8B-NFK-001-010	1H	CABI, FR U	USFD	CX-NAJ503	
O	APPEARANCE		8B-NFK-003-010		BOX, CASS 1	LHSFD	CX-NSZ500	
O	APPEARANCE		8B-NFK-003-010	1B	BOX, CASS 1	USFD	CX-NAJ500	
O	APPEARANCE		8B-NFK-003-010	1B	BOX, CASS 1	USFD	CX-NAJ503	
O	APPEARANCE		8B-NFK-003-010	1B	BOX, CASS 1	EZSFD	CX-NSZ500	
O	APPEARANCE		8B-NFK-004-010		BOX, CASS 2	LHSFD	CX-NSZ500	
O	APPEARANCE		8B-NFK-004-010	1B	BOX, CASS 2	USFD	CX-NAJ500	
O	APPEARANCE		8B-NFK-004-010	1B	BOX, CASS 2	USFD	CX-NAJ503	
O	APPEARANCE		8B-NFK-004-010	1B	BOX, CASS 2	EZSFD	CX-NSZ500	
O	APPEARANCE		8B-NFK-006-010		PANEL, LEFT	LHSFD	CX-NSZ500	
O	APPEARANCE		8B-NFK-006-010	1B	PANEL, LEFT	USFD	CX-NAJ500	
O	APPEARANCE		8B-NFK-006-010	1B	PANEL, LEFT	USFD	CX-NAJ503	
O	APPEARANCE		8B-NFK-006-010	1B	PANEL, LEFT	EZSFD	CX-NSZ500	
O	APPEARANCE		8B-NFK-007-010		PANEL, RIGHT	LHSFD	CX-NSZ500	
O	APPEARANCE		8B-NFK-007-010	1B	PANEL, RIGHT	USFD	CX-NAJ500	
O	APPEARANCE		8B-NFK-007-010	1B	PANEL, RIGHT	USFD	CX-NAJ503	
O	APPEARANCE		8B-NFK-007-010	1B	PANEL, RIGHT	EZSFD	CX-NSZ500	
O	APPEARANCE		8B-NFK-008-010		PANEL, TRAY	LHSFD	CX-NSZ500	
O	APPEARANCE		8B-NFK-008-010	1A	PANEL, TRAY	USFD	CX-NAJ500	
O	APPEARANCE		8B-NFK-008-010	1A	PANEL, TRAY	USFD	CX-NAJ503	
O	APPEARANCE		8B-NFK-008-010	1A	PANEL, TRAY	EZSFD	CX-NSZ500	
O	APPEARANCE		8B-NFK-009-010		PANEL, FR 1 WAY	LHSFD	CX-NSZ500	
O	APPEARANCE		8B-NFK-009-010	1C	PANEL, FR 1 WAY	EZSFD	CX-NSZ500	
O	APPEARANCE		8B-NFK-010-010	--	WINDOW, DISP U	USFD	CX-NAJ500	
O	APPEARANCE		8B-NFK-011-010		WINDOW, CASS 1 1WAY	LHSFD	CX-NSZ500	
O	APPEARANCE		8B-NFK-011-010	1A	WINDOW, CASS 1 1WAY	USFD	CX-NAJ500	
O	APPEARANCE		8B-NFK-011-010	1A	WINDOW, CASS 1 1WAY	USFD	CX-NAJ503	
O	APPEARANCE		8B-NFK-011-010	1A	WINDOW, CASS 1 1WAY	EZSFD	CX-NSZ500	
O	APPEARANCE		8B-NFK-012-010		WINDOW, CASS 2	LHSFD	CX-NSZ500	
O	APPEARANCE		8B-NFK-012-010	1A	WINDOW, CASS 2	USFD	CX-NAJ500	
O	APPEARANCE		8B-NFK-012-010	1A	WINDOW, CASS 2	USFD	CX-NAJ503	
O	APPEARANCE		8B-NFK-012-010	1A	WINDOW, CASS 2	EZSFD	CX-NSZ500	
O	APPEARANCE		8B-NFK-013-010		WINDOW, TRAY	LHSFD	CX-NSZ500	
O	APPEARANCE		8B-NFK-013-010	0E	WINDOW, TRAY	USFD	CX-NAJ500	
O	APPEARANCE		8B-NFK-013-010	0E	WINDOW, TRAY	USFD	CX-NAJ503	
O	APPEARANCE		8B-NFK-013-010	0E	WINDOW, TRAY	EZSFD	CX-NSZ500	

PARTS LIST

! = Δ SAFTY PARTS
 C = Components marked

All components used on this model at the production line are shown in this service manual.

However, please note that not all components will be available as spare parts for after-sales service.

Components marked S and O are designated as spare parts for service and will be stocked at the spare parts centers.

Components marked X and R are not designated as spare parts for after sales service, and will not be stocked at the spare parts centers.

K NO. = Only use Japanese.

! C	UNIT NAME	REF NO.	PARTS CODE	K NO.	DESCRIPTION	SUFFIX	MODEL NAME
O	FUNC/E.VR	C 0606	87-012-280-080	0E	C-CAP,U 3300P-50 K B	USFD	CX-NAJ500
O	FUNC/E.VR	C 0606	87-012-280-080	0E	C-CAP,U 3300P-50 K B	USFD	CX-NAJ503
O	FUNC/E.VR	C 0606	87-012-280-080	0E	C-CAP,U 3300P-50 K B	EZSFD	CX-NSZ500
O	FUNC/E.VR	C 0609	87-010-785-080		C-CAP,U 0.015-25 K B GRM	LHSFD	CX-NSZ500
O	FUNC/E.VR	C 0609	87-010-785-080	0E	C-CAP,U 0.015-25 K B GRM	USFD	CX-NAJ500
O	FUNC/E.VR	C 0609	87-010-785-080	0E	C-CAP,U 0.015-25 K B GRM	USFD	CX-NAJ503
O	FUNC/E.VR	C 0609	87-010-785-080	0E	C-CAP,U 0.015-25 K B GRM	EZSFD	CX-NSZ500
O	FUNC/E.VR	C 0610	87-010-785-080		C-CAP,U 0.015-25 K B GRM	LHSFD	CX-NSZ500
O	FUNC/E.VR	C 0610	87-010-785-080	0E	C-CAP,U 0.015-25 K B GRM	USFD	CX-NAJ500
O	FUNC/E.VR	C 0610	87-010-785-080	0E	C-CAP,U 0.015-25 K B GRM	USFD	CX-NAJ503
O	FUNC/E.VR	C 0610	87-010-785-080	0E	C-CAP,U 0.015-25 K B GRM	EZSFD	CX-NSZ500
O	FUNC/E.VR	C 0611	87-A12-084-080		CAP,E 0.22-50 SMG	LHSFD	CX-NSZ500
O	FUNC/E.VR	C 0611	87-A12-084-080	0E	CAP,E 0.22-50 SMG	USFD	CX-NAJ500
O	FUNC/E.VR	C 0611	87-A12-084-080	0E	CAP,E 0.22-50 SMG	USFD	CX-NAJ503
O	FUNC/E.VR	C 0611	87-A12-084-080	0E	CAP,E 0.22-50 SMG	EZSFD	CX-NSZ500
O	FUNC/E.VR	C 0612	87-A12-084-080		CAP,E 0.22-50 SMG	LHSFD	CX-NSZ500
O	FUNC/E.VR	C 0612	87-A12-084-080	0E	CAP,E 0.22-50 SMG	USFD	CX-NAJ500
O	FUNC/E.VR	C 0612	87-A12-084-080	0E	CAP,E 0.22-50 SMG	USFD	CX-NAJ503
O	FUNC/E.VR	C 0612	87-A12-084-080	0E	CAP,E 0.22-50 SMG	EZSFD	CX-NSZ500
O	FUNC/E.VR	C 0613	87-A12-084-080		CAP,E 0.22-50 SMG	LHSFD	CX-NSZ500
O	FUNC/E.VR	C 0613	87-A12-084-080	0E	CAP,E 0.22-50 SMG	USFD	CX-NAJ500
O	FUNC/E.VR	C 0613	87-A12-084-080	0E	CAP,E 0.22-50 SMG	USFD	CX-NAJ503
O	FUNC/E.VR	C 0613	87-A12-084-080	0E	CAP,E 0.22-50 SMG	EZSFD	CX-NSZ500
O	FUNC/E.VR	C 0614	87-A12-084-080		CAP,E 0.22-50 SMG	LHSFD	CX-NSZ500
O	FUNC/E.VR	C 0614	87-A12-084-080	0E	CAP,E 0.22-50 SMG	USFD	CX-NAJ500
O	FUNC/E.VR	C 0614	87-A12-084-080	0E	CAP,E 0.22-50 SMG	USFD	CX-NAJ503
O	FUNC/E.VR	C 0614	87-A12-084-080	0E	CAP,E 0.22-50 SMG	EZSFD	CX-NSZ500
O	FUNC/E.VR	C 0615	87-012-172-080		C-CAP,U 10P-50 D CH	LHSFD	CX-NSZ500
O	FUNC/E.VR	C 0615	87-012-172-080	0E	C-CAP,U 10P-50 D CH	USFD	CX-NAJ500
O	FUNC/E.VR	C 0615	87-012-172-080	0E	C-CAP,U 10P-50 D CH	USFD	CX-NAJ503
O	FUNC/E.VR	C 0615	87-012-172-080	0E	C-CAP,U 10P-50 D CH	EZSFD	CX-NSZ500
O	FUNC/E.VR	C 0616	87-016-459-080		CAP,E 470-10 M SMG	LHSFD	CX-NSZ500
O	FUNC/E.VR	C 0616	87-016-459-080	0E	CAP,E 470-10 M SMG	USFD	CX-NAJ500
O	FUNC/E.VR	C 0616	87-016-459-080	0E	CAP,E 470-10 M SMG	USFD	CX-NAJ503
O	FUNC/E.VR	C 0616	87-016-459-080	0E	CAP,E 470-10 M SMG	EZSFD	CX-NSZ500
O	FUNC/E.VR	C 0617	87-016-459-080		CAP,E 470-10 M SMG	LHSFD	CX-NSZ500
O	FUNC/E.VR	C 0617	87-016-459-080	0E	CAP,E 470-10 M SMG	USFD	CX-NAJ500
O	FUNC/E.VR	C 0617	87-016-459-080	0E	CAP,E 470-10 M SMG	USFD	CX-NAJ503
O	FUNC/E.VR	C 0617	87-016-459-080	0E	CAP,E 470-10 M SMG	EZSFD	CX-NSZ500
O	FUNC/E.VR	C 0618	87-A12-091-080		CAP,E 10-50 SMG	LHSFD	CX-NSZ500
O	FUNC/E.VR	C 0618	87-A12-091-080	0E	CAP,E 10-50 SMG	USFD	CX-NAJ500
O	FUNC/E.VR	C 0618	87-A12-091-080	0E	CAP,E 10-50 SMG	USFD	CX-NAJ503
O	FUNC/E.VR	C 0618	87-A12-091-080	0E	CAP,E 10-50 SMG	EZSFD	CX-NSZ500
O	FUNC/E.VR	C 0620	87-A12-062-080		CAP,E 100-10 SMG	LHSFD	CX-NSZ500
O	FUNC/E.VR	C 0620	87-A12-062-080	0E	CAP,E 100-10 SMG	USFD	CX-NAJ500
O	FUNC/E.VR	C 0620	87-A12-062-080	0E	CAP,E 100-10 SMG	USFD	CX-NAJ503
O	FUNC/E.VR	C 0620	87-A12-062-080	0E	CAP,E 100-10 SMG	EZSFD	CX-NSZ500
O	FUNC/E.VR	C 0623	87-A12-372-080		CAP,M 0.047-100 J CP	LHSFD	CX-NSZ500
O	FUNC/E.VR	C 0623	87-A12-372-080	0E	CAP,M 0.047-100 J CP	USFD	CX-NAJ500
O	FUNC/E.VR	C 0623	87-A12-372-080	0E	CAP,M 0.047-100 J CP	USFD	CX-NAJ503
O	FUNC/E.VR	C 0623	87-A12-372-080	0E	CAP,M 0.047-100 J CP	EZSFD	CX-NSZ500
O	FUNC/E.VR	C 0624	87-A12-372-080		CAP,M 0.047-100 J CP	LHSFD	CX-NSZ500
O	FUNC/E.VR	C 0624	87-A12-372-080	0E	CAP,M 0.047-100 J CP	USFD	CX-NAJ500
O	FUNC/E.VR	C 0624	87-A12-372-080	0E	CAP,M 0.047-100 J CP	USFD	CX-NAJ503
O	FUNC/E.VR	C 0624	87-A12-372-080	0E	CAP,M 0.047-100 J CP	EZSFD	CX-NSZ500
O	FUNC/E.VR	C 0630	87-A10-260-080		C-CAP,U 0.1-16 K B	LHSFD	CX-NSZ500
O	FUNC/E.VR	C 0630	87-A10-260-080	0E	C-CAP,U 0.1-16 K B	USFD	CX-NAJ500
O	FUNC/E.VR	C 0630	87-A10-260-080	0E	C-CAP,U 0.1-16 K B	USFD	CX-NAJ503
O	FUNC/E.VR	C 0630	87-A10-260-080	0E	C-CAP,U 0.1-16 K B	EZSFD	CX-NSZ500
O	FUNC/E.VR	C 0631	87-012-281-080		C-CAP,U 3900P-50 K B GRM	LHSFD	CX-NSZ500
O	FUNC/E.VR	C 0631	87-012-281-080	0E	C-CAP,U 3900P-50 K B GRM	USFD	CX-NAJ500
O	FUNC/E.VR	C 0631	87-012-281-080	0E	C-CAP,U 3900P-50 K B GRM	USFD	CX-NAJ503
O	FUNC/E.VR	C 0631	87-012-281-080	0E	C-CAP,U 3900P-50 K B GRM	EZSFD	CX-NSZ500
O	FUNC/E.VR	C 0632	87-012-281-080		C-CAP,U 3900P-50 K B GRM	LHSFD	CX-NSZ500
O	FUNC/E.VR	C 0632	87-012-281-080	0E	C-CAP,U 3900P-50 K B GRM	USFD	CX-NAJ500
O	FUNC/E.VR	C 0632	87-012-281-080	0E	C-CAP,U 3900P-50 K B GRM	USFD	CX-NAJ503
O	FUNC/E.VR	C 0632	87-012-281-080	0E	C-CAP,U 3900P-50 K B GRM	EZSFD	CX-NSZ500
O	FUNC/E.VR	C 0633	87-A11-070-080		C-CAP,U 0.033-16 K B	LHSFD	CX-NSZ500
O	FUNC/E.VR	C 0633	87-A11-070-080	0E	C-CAP,U 0.033-16 K B	USFD	CX-NAJ500
O	FUNC/E.VR	C 0633	87-A11-070-080	0E	C-CAP,U 0.033-16 K B	USFD	CX-NAJ503
O	FUNC/E.VR	C 0633	87-A11-070-080	0E	C-CAP,U 0.033-16 K B	EZSFD	CX-NSZ500

PARTS LIST

! = Δ SAFTY PARTS
 C = Components marked

All components used on this model at the production line are shown in this service manual.

However, please note that not all components will be available as spare parts for after-sales service.

Components marked S and O are designated as spare parts for service and will be stocked at the spare parts centers.

Components marked X and R are not designated as spare parts for after sales service, and will not be stocked at the spare parts centers.

K NO. = Only use Japanese.

! C	UNIT NAME	REF NO.	PARTS CODE	K NO.	DESCRIPTION	SUFFIX	MODEL NAME
O	FUNC/E.VR	C 0633	87-A11-070-080	0E	C-CAP,U 0.033-16 K B	EZSFD	CX-NSZ500
O	FUNC/E.VR	C 0634	87-A11-070-080		C-CAP,U 0.033-16 K B	LHSFD	CX-NSZ500
O	FUNC/E.VR	C 0634	87-A11-070-080	0E	C-CAP,U 0.033-16 K B	USFD	CX-NAJ500
O	FUNC/E.VR	C 0634	87-A11-070-080	0E	C-CAP,U 0.033-16 K B	USFD	CX-NAJ503
O	FUNC/E.VR	C 0634	87-A11-070-080	0E	C-CAP,U 0.033-16 K B	EZSFD	CX-NSZ500
O	FUNC/E.VR	C 0661	87-012-336-080		C-CAP,U 330P-50 J SL	LHSFD	CX-NSZ500
O	FUNC/E.VR	C 0661	87-012-336-080	0E	C-CAP,U 330P-50 J SL	USFD	CX-NAJ500
O	FUNC/E.VR	C 0661	87-012-336-080	0E	C-CAP,U 330P-50 J SL	USFD	CX-NAJ503
O	FUNC/E.VR	C 0661	87-012-336-080	0E	C-CAP,U 330P-50 J SL	EZSFD	CX-NSZ500
O	FUNC/E.VR	C 0662	87-012-336-080		C-CAP,U 330P-50 J SL	LHSFD	CX-NSZ500
O	FUNC/E.VR	C 0662	87-012-336-080	0E	C-CAP,U 330P-50 J SL	USFD	CX-NAJ500
O	FUNC/E.VR	C 0662	87-012-336-080	0E	C-CAP,U 330P-50 J SL	USFD	CX-NAJ503
O	FUNC/E.VR	C 0662	87-012-336-080	0E	C-CAP,U 330P-50 J SL	EZSFD	CX-NSZ500
O	FUNC/E.VR	C 0669	87-012-274-080	0E	C-CAP,U 1000P-50 K B	EZSFD	CX-NSZ500
O	FUNC/E.VR	C 0670	87-012-274-080	0E	C-CAP,U 1000P-50 K B	EZSFD	CX-NSZ500
O	FUNC/E.VR	C 0677	87-012-286-080		C-CAP,U 0.01-25 K B	LHSFD	CX-NSZ500
O	FUNC/E.VR	C 0677	87-012-286-080	0E	C-CAP,U 0.01-25 K B	USFD	CX-NAJ500
O	FUNC/E.VR	C 0677	87-012-286-080	0E	C-CAP,U 0.01-25 K B	USFD	CX-NAJ503
O	FUNC/E.VR	C 0677	87-012-286-080	0E	C-CAP,U 0.01-25 K B	EZSFD	CX-NSZ500
X	FUNC/E.VR	C 0678	88-108-000-080		C-JUMPER,U	LHSFD	CX-NSZ500
X	FUNC/E.VR	C 0678	88-108-000-080	0E	C-JUMPER,U	USFD	CX-NAJ500
X	FUNC/E.VR	C 0678	88-108-000-080	0E	C-JUMPER,U	USFD	CX-NAJ503
X	FUNC/E.VR	C 0678	88-108-000-080	0E	C-JUMPER,U	EZSFD	CX-NSZ500
!	FUNC/E.VR	CN 0601	87-099-719-010		CONN,30P H BLK TYK-B(X)	LHSFD	CX-NSZ500
!	FUNC/E.VR	CN 0601	87-099-719-010	1B	CONN,30P H BLK TYK-B(X)	USFD	CX-NAJ500
!	FUNC/E.VR	CN 0601	87-099-719-010	1B	CONN,30P H BLK TYK-B(X)	USFD	CX-NAJ503
!	FUNC/E.VR	CN 0601	87-099-719-010	1B	CONN,30P H BLK TYK-B(X)	EZSFD	CX-NSZ500
!	FUNC/E.VR	CN 0602	87-A60-131-010		CONN,6P V FE	LHSFD	CX-NSZ500
!	FUNC/E.VR	CN 0602	87-A60-131-010	0E	CONN,6P V FE	USFD	CX-NAJ500
!	FUNC/E.VR	CN 0602	87-A60-131-010	0E	CONN,6P V FE	USFD	CX-NAJ503
!	FUNC/E.VR	CN 0602	87-A60-131-010	0E	CONN,6P V FE	EZSFD	CX-NSZ500
S	FUNC/E.VR	D 0601	87-A40-739-080		ZENER,UZ2.7BSA	LHSFD	CX-NSZ500
S	FUNC/E.VR	D 0601	87-A40-739-080	0E	ZENER,UZ2.7BSA	USFD	CX-NAJ500
S	FUNC/E.VR	D 0601	87-A40-739-080	0E	ZENER,UZ2.7BSA	USFD	CX-NAJ503
S	FUNC/E.VR	D 0601	87-A40-739-080	0E	ZENER,UZ2.7BSA	EZSFD	CX-NSZ500
S	FUNC/E.VR	D 0602	87-A40-739-080		ZENER,UZ2.7BSA	LHSFD	CX-NSZ500
S	FUNC/E.VR	D 0602	87-A40-739-080	0E	ZENER,UZ2.7BSA	USFD	CX-NAJ500
S	FUNC/E.VR	D 0602	87-A40-739-080	0E	ZENER,UZ2.7BSA	USFD	CX-NAJ503
S	FUNC/E.VR	D 0602	87-A40-739-080	0E	ZENER,UZ2.7BSA	EZSFD	CX-NSZ500
X	FUNC/E.VR	FB 0602	88-100-000-010		PLATING-JW, 0.58 SN95	LHSFD	CX-NSZ500
X	FUNC/E.VR	FB 0602	88-100-000-010	0E	PLATING-JW, 0.58 SN95	USFD	CX-NAJ500
X	FUNC/E.VR	FB 0602	88-100-000-010	0E	PLATING-JW, 0.58 SN95	USFD	CX-NAJ503
S	FUNC/E.VR	IC 0601	87-A21-401-040		C-IC,M61503FP	LHSFD	CX-NSZ500
S	FUNC/E.VR	IC 0601	87-A21-401-040	1C	C-IC,M61503FP	USFD	CX-NAJ500
S	FUNC/E.VR	IC 0601	87-A21-401-040	1C	C-IC,M61503FP	USFD	CX-NAJ503
S	FUNC/E.VR	IC 0601	87-A21-401-040	1C	C-IC,M61503FP	EZSFD	CX-NSZ500
O	FUNC/E.VR	J 0602	87-A60-881-010		JACK,PIN 2P MSP 242V05 PBSN	LHSFD	CX-NSZ500
O	FUNC/E.VR	J 0602	87-A60-881-010	0E	JACK,PIN 2P MSP 242V05 PBSN	USFD	CX-NAJ500
O	FUNC/E.VR	J 0602	87-A60-881-010	0E	JACK,PIN 2P MSP 242V05 PBSN	USFD	CX-NAJ503
O	FUNC/E.VR	J 0602	87-A60-881-010	0E	JACK,PIN 2P MSP 242V05 PBSN	EZSFD	CX-NSZ500
X	FUNC/E.VR	JR 0601	88-108-000-080		C-JUMPER,U	LHSFD	CX-NSZ500
X	FUNC/E.VR	JR 0601	88-108-000-080	0E	C-JUMPER,U	USFD	CX-NAJ500
X	FUNC/E.VR	JR 0601	88-108-000-080	0E	C-JUMPER,U	USFD	CX-NAJ503
X	FUNC/E.VR	JR 0601	88-108-000-080	0E	C-JUMPER,U	EZSFD	CX-NSZ500
X	FUNC/E.VR	JR 0602	88-108-000-080		C-JUMPER,U	LHSFD	CX-NSZ500
X	FUNC/E.VR	JR 0602	88-108-000-080	0E	C-JUMPER,U	USFD	CX-NAJ500
X	FUNC/E.VR	JR 0602	88-108-000-080	0E	C-JUMPER,U	USFD	CX-NAJ503
X	FUNC/E.VR	JR 0602	88-108-000-080	0E	C-JUMPER,U	EZSFD	CX-NSZ500
X	FUNC/E.VR	JR 0605	88-108-000-080		C-JUMPER,U	LHSFD	CX-NSZ500
X	FUNC/E.VR	JR 0605	88-108-000-080	0E	C-JUMPER,U	USFD	CX-NAJ500
X	FUNC/E.VR	JR 0605	88-108-000-080	0E	C-JUMPER,U	USFD	CX-NAJ503
X	FUNC/E.VR	JR 0605	88-108-000-080	0E	C-JUMPER,U	EZSFD	CX-NSZ500
X	FUNC/E.VR	JR 0606	88-129-000-080		C-JUMPER,3216	LHSFD	CX-NSZ500
X	FUNC/E.VR	JR 0606	88-129-000-080	0E	C-JUMPER,3216	USFD	CX-NAJ500
X	FUNC/E.VR	JR 0606	88-129-000-080	0E	C-JUMPER,3216	USFD	CX-NAJ503
X	FUNC/E.VR	JR 0606	88-129-000-080	0E	C-JUMPER,3216	EZSFD	CX-NSZ500
X	FUNC/E.VR	JR 0607	88-108-000-080		C-JUMPER,U	LHSFD	CX-NSZ500
X	FUNC/E.VR	JR 0607	88-108-000-080	0E	C-JUMPER,U	USFD	CX-NAJ500
X	FUNC/E.VR	JR 0607	88-108-000-080	0E	C-JUMPER,U	USFD	CX-NAJ503

PARTS LIST

! = Δ SAFTY PARTS
 C = Components marked

All components used on this model at the production line are shown in this service manual.

However, please note that not all components will be available as spare parts for after-sales service.

Components marked S and O are designated as spare parts for service and will be stocked at the spare parts centers.

Components marked X and R are not designated as spare parts for after sales service, and will not be stocked at the spare parts centers.

K NO. = Only use Japanese.

! C	UNIT NAME	REF NO.	PARTS CODE	K NO.	DESCRIPTION	SUFFIX	MODEL NAME
X	FUNC/E.VR	JR 0607	88-108-000-080	0E	C-JUMPER, U	EZSFD	CX-NSZ500
X	FUNC/E.VR	JR 0612	88-129-000-080	0E	C-JUMPER, 3216	USFD	CX-NAJ500
X	FUNC/E.VR	JR 0612	88-129-000-080	0E	C-JUMPER, 3216	USFD	CX-NAJ503
X	FUNC/E.VR	JR 0612	88-129-000-080	0E	C-JUMPER, 3216	EZSFD	CX-NSZ500
X	FUNC/E.VR	JR 0613	88-129-000-080	0E	C-JUMPER, 3216	USFD	CX-NAJ500
X	FUNC/E.VR	JR 0613	88-129-000-080	0E	C-JUMPER, 3216	USFD	CX-NAJ503
X	FUNC/E.VR	JR 0613	88-129-000-080	0E	C-JUMPER, 3216	EZSFD	CX-NSZ500
X	FUNC/E.VR	JR 0614	88-129-000-080	0E	C-JUMPER, 3216	USFD	CX-NAJ500
X	FUNC/E.VR	JR 0614	88-129-000-080	0E	C-JUMPER, 3216	USFD	CX-NAJ503
X	FUNC/E.VR	JR 0614	88-129-000-080	0E	C-JUMPER, 3216	EZSFD	CX-NSZ500
X	FUNC/E.VR	JR 0615	88-129-000-080	0E	C-JUMPER, 3216	USFD	CX-NAJ500
X	FUNC/E.VR	JR 0615	88-129-000-080	0E	C-JUMPER, 3216	USFD	CX-NAJ503
X	FUNC/E.VR	JR 0615	88-129-000-080	0E	C-JUMPER, 3216	EZSFD	CX-NSZ500
X	FUNC/E.VR	JR 0616	88-108-000-080		C-JUMPER, U	LHSFD	CX-NSZ500
X	FUNC/E.VR	JR 0616	88-108-000-080	0E	C-JUMPER, U	USFD	CX-NAJ500
X	FUNC/E.VR	JR 0616	88-108-000-080	0E	C-JUMPER, U	USFD	CX-NAJ503
X	FUNC/E.VR	JR 0616	88-108-000-080	0E	C-JUMPER, U	EZSFD	CX-NSZ500
S	FUNC/E.VR	Q 0601	87-A30-087-080		C-FET, 2SK2158	LHSFD	CX-NSZ500
S	FUNC/E.VR	Q 0601	87-A30-087-080	0E	C-FET, 2SK2158	USFD	CX-NAJ500
S	FUNC/E.VR	Q 0601	87-A30-087-080	0E	C-FET, 2SK2158	USFD	CX-NAJ503
S	FUNC/E.VR	Q 0601	87-A30-087-080	0E	C-FET, 2SK2158	USFD	CX-NAJ500
S	FUNC/E.VR	Q 0601	87-A30-087-080	0E	C-FET, 2SK2158	USFD	CX-NAJ503
S	FUNC/E.VR	Q 0601	87-A30-087-080	0E	C-FET, 2SK2158	EZSFD	CX-NSZ500
S	FUNC/E.VR	Q 0602	87-A30-087-080		C-FET, 2SK2158	LHSFD	CX-NSZ500
S	FUNC/E.VR	Q 0602	87-A30-087-080	0E	C-FET, 2SK2158	USFD	CX-NAJ500
S	FUNC/E.VR	Q 0602	87-A30-087-080	0E	C-FET, 2SK2158	USFD	CX-NAJ503
S	FUNC/E.VR	Q 0602	87-A30-087-080	0E	C-FET, 2SK2158	EZSFD	CX-NSZ500
S	FUNC/E.VR	Q 0605	87-A30-090-080		FET, 2SK2541	LHSFD	CX-NSZ500
S	FUNC/E.VR	Q 0605	87-A30-090-080	0E	FET, 2SK2541	USFD	CX-NAJ500
S	FUNC/E.VR	Q 0605	87-A30-090-080	0E	FET, 2SK2541	USFD	CX-NAJ503
S	FUNC/E.VR	Q 0605	87-A30-090-080	0E	FET, 2SK2541	EZSFD	CX-NSZ500
S	FUNC/E.VR	Q 0606	87-A30-090-080		FET, 2SK2541	LHSFD	CX-NSZ500
S	FUNC/E.VR	Q 0606	87-A30-090-080	0E	FET, 2SK2541	USFD	CX-NAJ500
S	FUNC/E.VR	Q 0606	87-A30-090-080	0E	FET, 2SK2541	USFD	CX-NAJ503
S	FUNC/E.VR	Q 0606	87-A30-090-080	0E	FET, 2SK2541	EZSFD	CX-NSZ500
S	FUNC/E.VR	Q 0607	87-A30-076-080		C-TR, 2SC3052F	LHSFD	CX-NSZ500
S	FUNC/E.VR	Q 0607	87-A30-076-080	0E	C-TR, 2SC3052F	USFD	CX-NAJ500
S	FUNC/E.VR	Q 0607	87-A30-076-080	0E	C-TR, 2SC3052F	USFD	CX-NAJ503
S	FUNC/E.VR	Q 0607	87-A30-076-080	0E	C-TR, 2SC3052F	EZSFD	CX-NSZ500
X	FUNC/E.VR	R 0077	88-108-102-080		C-RES, U 1K-1/16W J	LHSFD	CX-NSZ500
X	FUNC/E.VR	R 0077	88-108-102-080	0E	C-RES, U 1K-1/16W J	USFD	CX-NAJ500
X	FUNC/E.VR	R 0077	88-108-102-080	0E	C-RES, U 1K-1/16W J	USFD	CX-NAJ503
X	FUNC/E.VR	R 0077	88-108-102-080	0E	C-RES, U 1K-1/16W J	EZSFD	CX-NSZ500
X	FUNC/E.VR	R 0601	88-108-102-080		C-RES, U 1K-1/16W J	LHSFD	CX-NSZ500
X	FUNC/E.VR	R 0601	88-108-102-080	0E	C-RES, U 1K-1/16W J	USFD	CX-NAJ500
X	FUNC/E.VR	R 0601	88-108-102-080	0E	C-RES, U 1K-1/16W J	USFD	CX-NAJ503
X	FUNC/E.VR	R 0601	88-108-102-080	0E	C-RES, U 1K-1/16W J	EZSFD	CX-NSZ500
X	FUNC/E.VR	R 0602	88-108-102-080		C-RES, U 1K-1/16W J	LHSFD	CX-NSZ500
X	FUNC/E.VR	R 0602	88-108-102-080	0E	C-RES, U 1K-1/16W J	USFD	CX-NAJ500
X	FUNC/E.VR	R 0602	88-108-102-080	0E	C-RES, U 1K-1/16W J	USFD	CX-NAJ503
X	FUNC/E.VR	R 0602	88-108-102-080	0E	C-RES, U 1K-1/16W J	EZSFD	CX-NSZ500
X	FUNC/E.VR	R 0603	88-108-682-080		C-RES, U 6.8K-1/16W J	LHSFD	CX-NSZ500
X	FUNC/E.VR	R 0603	88-108-682-080	0E	C-RES, U 6.8K-1/16W J	USFD	CX-NAJ500
X	FUNC/E.VR	R 0603	88-108-682-080	0E	C-RES, U 6.8K-1/16W J	USFD	CX-NAJ503
X	FUNC/E.VR	R 0603	88-108-682-080	0E	C-RES, U 6.8K-1/16W J	EZSFD	CX-NSZ500
X	FUNC/E.VR	R 0604	88-108-682-080		C-RES, U 6.8K-1/16W J	LHSFD	CX-NSZ500
X	FUNC/E.VR	R 0604	88-108-682-080	0E	C-RES, U 6.8K-1/16W J	USFD	CX-NAJ500
X	FUNC/E.VR	R 0604	88-108-682-080	0E	C-RES, U 6.8K-1/16W J	USFD	CX-NAJ503
X	FUNC/E.VR	R 0604	88-108-682-080	0E	C-RES, U 6.8K-1/16W J	EZSFD	CX-NSZ500
X	FUNC/E.VR	R 0605	88-108-103-080		C-RES, U 10K-1/16W J	LHSFD	CX-NSZ500
X	FUNC/E.VR	R 0605	88-108-103-080	0E	C-RES, U 10K-1/16W J	USFD	CX-NAJ500
X	FUNC/E.VR	R 0605	88-108-103-080	0E	C-RES, U 10K-1/16W J	USFD	CX-NAJ503
X	FUNC/E.VR	R 0605	88-108-103-080	0E	C-RES, U 10K-1/16W J	EZSFD	CX-NSZ500
X	FUNC/E.VR	R 0606	88-108-103-080		C-RES, U 10K-1/16W J	LHSFD	CX-NSZ500
X	FUNC/E.VR	R 0606	88-108-103-080	0E	C-RES, U 10K-1/16W J	USFD	CX-NAJ500
X	FUNC/E.VR	R 0606	88-108-103-080	0E	C-RES, U 10K-1/16W J	USFD	CX-NAJ503
X	FUNC/E.VR	R 0606	88-108-103-080	0E	C-RES, U 10K-1/16W J	EZSFD	CX-NSZ500
X	FUNC/E.VR	R 0607	88-108-103-080		C-RES, U 10K-1/16W J	LHSFD	CX-NSZ500
X	FUNC/E.VR	R 0607	88-108-103-080	0E	C-RES, U 10K-1/16W J	USFD	CX-NAJ500
X	FUNC/E.VR	R 0607	88-108-103-080	0E	C-RES, U 10K-1/16W J	USFD	CX-NAJ503
X	FUNC/E.VR	R 0607	88-108-103-080	0E	C-RES, U 10K-1/16W J	EZSFD	CX-NSZ500
X	FUNC/E.VR	R 0608	88-108-103-080		C-RES, U 10K-1/16W J	LHSFD	CX-NSZ500

PARTS LIST

! = Δ SAFTY PARTS
 C = Components marked

All components used on this model at the production line are shown in this service manual.

However, please note that not all components will be available as spare parts for after-sales service.

Components marked S and O are designated as spare parts for service and will be stocked at the spare parts centers.

Components marked X and R are not designated as spare parts for after sales service, and will not be stocked at the spare parts centers.

K NO. = Only use Japanese.

! C	UNIT NAME	REF NO.	PARTS CODE	K NO.	DESCRIPTION	SUFFIX	MODEL NAME
X	FUNC/E.VR	R 0608	88-108-103-080	0E	C-RES,U 10K-1/16W J	USFD	CX-NAJ500
X	FUNC/E.VR	R 0608	88-108-103-080	0E	C-RES,U 10K-1/16W J	USFD	CX-NAJ503
X	FUNC/E.VR	R 0608	88-108-103-080	0E	C-RES,U 10K-1/16W J	EZSFD	CX-NSZ500
X	FUNC/E.VR	R 0609	88-108-562-080		C-RES,U 5.6K-1/16W J	LHSFD	CX-NSZ500
X	FUNC/E.VR	R 0609	88-108-562-080	0E	C-RES,U 5.6K-1/16W J	USFD	CX-NAJ500
X	FUNC/E.VR	R 0609	88-108-562-080	0E	C-RES,U 5.6K-1/16W J	USFD	CX-NAJ503
X	FUNC/E.VR	R 0609	88-108-562-080	0E	C-RES,U 5.6K-1/16W J	EZSFD	CX-NSZ500
X	FUNC/E.VR	R 0610	88-121-562-080		RES,5.6K-1/8W J	LHSFD	CX-NSZ500
X	FUNC/E.VR	R 0610	88-121-562-080	0E	RES,5.6K-1/8W J	USFD	CX-NAJ500
X	FUNC/E.VR	R 0610	88-121-562-080	0E	RES,5.6K-1/8W J	USFD	CX-NAJ503
X	FUNC/E.VR	R 0610	88-121-562-080	0E	RES,5.6K-1/8W J	EZSFD	CX-NSZ500
X	FUNC/E.VR	R 0611	88-108-183-080		C-RES,U 18K-1/16W J	LHSFD	CX-NSZ500
X	FUNC/E.VR	R 0611	88-108-183-080	0E	C-RES,U 18K-1/16W J	USFD	CX-NAJ500
X	FUNC/E.VR	R 0611	88-108-183-080	0E	C-RES,U 18K-1/16W J	USFD	CX-NAJ503
X	FUNC/E.VR	R 0611	88-108-183-080	0E	C-RES,U 18K-1/16W J	EZSFD	CX-NSZ500
X	FUNC/E.VR	R 0612	88-108-183-080		C-RES,U 18K-1/16W J	LHSFD	CX-NSZ500
X	FUNC/E.VR	R 0612	88-108-183-080	0E	C-RES,U 18K-1/16W J	USFD	CX-NAJ500
X	FUNC/E.VR	R 0612	88-108-183-080	0E	C-RES,U 18K-1/16W J	USFD	CX-NAJ503
X	FUNC/E.VR	R 0612	88-108-183-080	0E	C-RES,U 18K-1/16W J	EZSFD	CX-NSZ500
X	FUNC/E.VR	R 0613	88-121-472-080		RES,4.7K-1/8W J	LHSFD	CX-NSZ500
X	FUNC/E.VR	R 0613	88-121-472-080	0E	RES,4.7K-1/8W J	USFD	CX-NAJ500
X	FUNC/E.VR	R 0613	88-121-472-080	0E	RES,4.7K-1/8W J	USFD	CX-NAJ503
X	FUNC/E.VR	R 0613	88-121-681-080	0E	RES,680-1/8W J	EZSFD	CX-NSZ500
X	FUNC/E.VR	R 0614	88-121-472-080		RES,4.7K-1/8W J	LHSFD	CX-NSZ500
X	FUNC/E.VR	R 0614	88-121-472-080	0E	RES,4.7K-1/8W J	USFD	CX-NAJ500
X	FUNC/E.VR	R 0614	88-121-472-080	0E	RES,4.7K-1/8W J	USFD	CX-NAJ503
X	FUNC/E.VR	R 0614	88-121-681-080	0E	RES,680-1/8W J	EZSFD	CX-NSZ500
X	FUNC/E.VR	R 0615	88-108-183-080		C-RES,U 18K-1/16W J	LHSFD	CX-NSZ500
X	FUNC/E.VR	R 0615	88-108-183-080	0E	C-RES,U 18K-1/16W J	USFD	CX-NAJ500
X	FUNC/E.VR	R 0615	88-108-183-080	0E	C-RES,U 18K-1/16W J	USFD	CX-NAJ503
X	FUNC/E.VR	R 0615	88-108-183-080	0E	C-RES,U 18K-1/16W J	EZSFD	CX-NSZ500
X	FUNC/E.VR	R 0616	88-108-183-080		C-RES,U 18K-1/16W J	LHSFD	CX-NSZ500
X	FUNC/E.VR	R 0616	88-108-183-080	0E	C-RES,U 18K-1/16W J	USFD	CX-NAJ500
X	FUNC/E.VR	R 0616	88-108-183-080	0E	C-RES,U 18K-1/16W J	USFD	CX-NAJ503
X	FUNC/E.VR	R 0616	88-108-183-080	0E	C-RES,U 18K-1/16W J	EZSFD	CX-NSZ500
X	FUNC/E.VR	R 0618	88-108-332-080		C-RES,U 3.3K-1/16W J	LHSFD	CX-NSZ500
X	FUNC/E.VR	R 0618	88-108-332-080	0E	C-RES,U 3.3K-1/16W J	USFD	CX-NAJ500
X	FUNC/E.VR	R 0618	88-108-332-080	0E	C-RES,U 3.3K-1/16W J	USFD	CX-NAJ503
X	FUNC/E.VR	R 0618	88-108-332-080	0E	C-RES,U 3.3K-1/16W J	EZSFD	CX-NSZ500
X	FUNC/E.VR	R 0619	88-108-273-080		C-RES,U 27K-1/16W J	LHSFD	CX-NSZ500
X	FUNC/E.VR	R 0619	88-108-273-080	0E	C-RES,U 27K-1/16W J	USFD	CX-NAJ500
X	FUNC/E.VR	R 0619	88-108-273-080	0E	C-RES,U 27K-1/16W J	USFD	CX-NAJ503
X	FUNC/E.VR	R 0619	88-108-273-080	0E	C-RES,U 27K-1/16W J	EZSFD	CX-NSZ500
X	FUNC/E.VR	R 0620	88-108-273-080		C-RES,U 27K-1/16W J	LHSFD	CX-NSZ500
X	FUNC/E.VR	R 0620	88-108-273-080	0E	C-RES,U 27K-1/16W J	USFD	CX-NAJ500
X	FUNC/E.VR	R 0620	88-108-273-080	0E	C-RES,U 27K-1/16W J	USFD	CX-NAJ503
X	FUNC/E.VR	R 0620	88-108-273-080	0E	C-RES,U 27K-1/16W J	EZSFD	CX-NSZ500
X	FUNC/E.VR	R 0621	88-108-824-080		C-RES,U 820K-1/16W J	LHSFD	CX-NSZ500
X	FUNC/E.VR	R 0621	88-108-824-080	0E	C-RES,U 820K-1/16W J	USFD	CX-NAJ500
X	FUNC/E.VR	R 0621	88-108-824-080	0E	C-RES,U 820K-1/16W J	USFD	CX-NAJ503
X	FUNC/E.VR	R 0621	88-108-824-080	0E	C-RES,U 820K-1/16W J	EZSFD	CX-NSZ500
X	FUNC/E.VR	R 0622	88-108-824-080		C-RES,U 820K-1/16W J	LHSFD	CX-NSZ500
X	FUNC/E.VR	R 0622	88-108-824-080	0E	C-RES,U 820K-1/16W J	USFD	CX-NAJ500
X	FUNC/E.VR	R 0622	88-108-824-080	0E	C-RES,U 820K-1/16W J	USFD	CX-NAJ503
X	FUNC/E.VR	R 0622	88-108-824-080	0E	C-RES,U 820K-1/16W J	EZSFD	CX-NSZ500
X	FUNC/E.VR	R 0625	88-121-472-080		RES,4.7K-1/8W J	LHSFD	CX-NSZ500
X	FUNC/E.VR	R 0625	88-121-472-080	0E	RES,4.7K-1/8W J	USFD	CX-NAJ500
X	FUNC/E.VR	R 0625	88-121-472-080	0E	RES,4.7K-1/8W J	USFD	CX-NAJ503
X	FUNC/E.VR	R 0625	88-121-472-080	0E	RES,4.7K-1/8W J	EZSFD	CX-NSZ500
X	FUNC/E.VR	R 0626	88-121-103-080		RES,10K-1/8W J	LHSFD	CX-NSZ500
X	FUNC/E.VR	R 0626	88-121-103-080	0E	RES,10K-1/8W J	USFD	CX-NAJ500
X	FUNC/E.VR	R 0626	88-121-103-080	0E	RES,10K-1/8W J	USFD	CX-NAJ503
X	FUNC/E.VR	R 0626	88-121-103-080	0E	RES,10K-1/8W J	EZSFD	CX-NSZ500
X	FUNC/E.VR	R 0627	88-108-123-080		C-RES,U 12K-1/16W J	LHSFD	CX-NSZ500
X	FUNC/E.VR	R 0627	88-108-123-080	0E	C-RES,U 12K-1/16W J	USFD	CX-NAJ500
X	FUNC/E.VR	R 0627	88-108-123-080	0E	C-RES,U 12K-1/16W J	USFD	CX-NAJ503
X	FUNC/E.VR	R 0627	88-108-123-080	0E	C-RES,U 12K-1/16W J	EZSFD	CX-NSZ500
X	FUNC/E.VR	R 0628	88-121-332-080		RES,3.3K-1/8W J	LHSFD	CX-NSZ500
X	FUNC/E.VR	R 0628	88-121-332-080	0E	RES,3.3K-1/8W J	USFD	CX-NAJ500
X	FUNC/E.VR	R 0628	88-121-332-080	0E	RES,3.3K-1/8W J	USFD	CX-NAJ503
X	FUNC/E.VR	R 0628	88-121-332-080	0E	RES,3.3K-1/8W J	EZSFD	CX-NSZ500

PARTS LIST

! = Δ SAFTY PARTS
 C = Components marked

All components used on this model at the production line are shown in this service manual.

However, please note that not all components will be available as spare parts for after-sales service.

Components marked S and O are designated as spare parts for service and will be stocked at the spare parts centers.

Components marked X and R are not designated as spare parts for after sales service, and will not be stocked at the spare parts centers.

K NO. = Only use Japanese.

! C	UNIT NAME	REF NO.	PARTS CODE	K NO.	DESCRIPTION	SUFFIX	MODEL NAME
X	FUNC/E.VR	R 0628	88-121-332-080	0E	RES, 3.3K-1/8W J	EZSFD	CX-NSZ500
X	FUNC/E.VR	R 0631	88-108-104-080		C-RES,U 100K-1/16W J	LHSFD	CX-NSZ500
X	FUNC/E.VR	R 0631	88-108-104-080	0E	C-RES,U 100K-1/16W J	USFD	CX-NAJ500
X	FUNC/E.VR	R 0631	88-108-104-080	0E	C-RES,U 100K-1/16W J	USFD	CX-NAJ503
X	FUNC/E.VR	R 0631	88-108-104-080	0E	C-RES,U 100K-1/16W J	EZSFD	CX-NSZ500
X	FUNC/E.VR	R 0632	88-108-103-080	0E	C-RES,U 10K-1/16W J	EZSFD	CX-NSZ500
X	FUNC/E.VR	R 0632	88-108-822-080		C-RES,U 8.2K-1/16W J	LHSFD	CX-NSZ500
X	FUNC/E.VR	R 0632	88-108-822-080	0E	C-RES,U 8.2K-1/16W J	USFD	CX-NAJ500
X	FUNC/E.VR	R 0632	88-108-822-080	0E	C-RES,U 8.2K-1/16W J	USFD	CX-NAJ503
X	FUNC/E.VR	R 0633	88-108-563-080		C-RES,U 56K-1/16W J	LHSFD	CX-NSZ500
X	FUNC/E.VR	R 0633	88-108-683-080	0E	C-RES,U 68K-1/16W J	USFD	CX-NAJ500
X	FUNC/E.VR	R 0633	88-108-683-080	0E	C-RES,U 68K-1/16W J	EZSFD	CX-NSZ500
X	FUNC/E.VR	R 0633	88-108-823-080	0E	C-RES,U 82K-1/16W J	USFD	CX-NAJ503
X	FUNC/E.VR	R 0634	88-108-103-080		C-RES,U 10K-1/16W J	LHSFD	CX-NSZ500
X	FUNC/E.VR	R 0634	88-108-103-080	0E	C-RES,U 10K-1/16W J	USFD	CX-NAJ500
X	FUNC/E.VR	R 0634	88-108-103-080	0E	C-RES,U 10K-1/16W J	USFD	CX-NAJ503
X	FUNC/E.VR	R 0634	88-108-103-080	0E	C-RES,U 10K-1/16W J	EZSFD	CX-NSZ500
X	FUNC/E.VR	R 0635	88-108-103-080		C-RES,U 10K-1/16W J	LHSFD	CX-NSZ500
X	FUNC/E.VR	R 0635	88-108-103-080	0E	C-RES,U 10K-1/16W J	USFD	CX-NAJ500
X	FUNC/E.VR	R 0635	88-108-103-080	0E	C-RES,U 10K-1/16W J	USFD	CX-NAJ503
X	FUNC/E.VR	R 0635	88-108-103-080	0E	C-RES,U 10K-1/16W J	EZSFD	CX-NSZ500
X	FUNC/E.VR	R 0637	88-108-222-080		C-RES,U 2.2K-1/16W J	LHSFD	CX-NSZ500
X	FUNC/E.VR	R 0637	88-108-222-080	0E	C-RES,U 2.2K-1/16W J	USFD	CX-NAJ500
X	FUNC/E.VR	R 0637	88-108-222-080	0E	C-RES,U 2.2K-1/16W J	USFD	CX-NAJ503
X	FUNC/E.VR	R 0637	88-108-222-080	0E	C-RES,U 2.2K-1/16W J	EZSFD	CX-NSZ500
X	FUNC/E.VR	R 0638	88-108-222-080		C-RES,U 2.2K-1/16W J	LHSFD	CX-NSZ500
X	FUNC/E.VR	R 0638	88-108-222-080	0E	C-RES,U 2.2K-1/16W J	USFD	CX-NAJ500
X	FUNC/E.VR	R 0638	88-108-222-080	0E	C-RES,U 2.2K-1/16W J	USFD	CX-NAJ503
X	FUNC/E.VR	R 0638	88-108-222-080	0E	C-RES,U 2.2K-1/16W J	EZSFD	CX-NSZ500
X	FUNC/E.VR	R 0639	88-108-273-080		C-RES,U 27K-1/16W J	LHSFD	CX-NSZ500
X	FUNC/E.VR	R 0639	88-108-273-080	0E	C-RES,U 27K-1/16W J	USFD	CX-NAJ500
X	FUNC/E.VR	R 0639	88-108-273-080	0E	C-RES,U 27K-1/16W J	USFD	CX-NAJ503
X	FUNC/E.VR	R 0639	88-108-273-080	0E	C-RES,U 27K-1/16W J	EZSFD	CX-NSZ500
X	FUNC/E.VR	R 0640	88-108-273-080		C-RES,U 27K-1/16W J	LHSFD	CX-NSZ500
X	FUNC/E.VR	R 0640	88-108-273-080	0E	C-RES,U 27K-1/16W J	USFD	CX-NAJ500
X	FUNC/E.VR	R 0640	88-108-273-080	0E	C-RES,U 27K-1/16W J	USFD	CX-NAJ503
X	FUNC/E.VR	R 0640	88-108-273-080	0E	C-RES,U 27K-1/16W J	EZSFD	CX-NSZ500
X	FUNC/E.VR	R 0653	88-108-000-080		C-JUMPER,U	LHSFD	CX-NSZ500
X	FUNC/E.VR	R 0653	88-108-000-080	0E	C-JUMPER,U	USFD	CX-NAJ500
X	FUNC/E.VR	R 0653	88-108-000-080	0E	C-JUMPER,U	USFD	CX-NAJ503
X	FUNC/E.VR	R 0653	88-108-000-080	0E	C-JUMPER,U	EZSFD	CX-NSZ500
X	FUNC/E.VR	R 0654	88-108-000-080		C-JUMPER,U	LHSFD	CX-NSZ500
X	FUNC/E.VR	R 0654	88-108-000-080	0E	C-JUMPER,U	USFD	CX-NAJ500
X	FUNC/E.VR	R 0654	88-108-000-080	0E	C-JUMPER,U	USFD	CX-NAJ503
X	FUNC/E.VR	R 0654	88-108-000-080	0E	C-JUMPER,U	EZSFD	CX-NSZ500
X	FUNC/E.VR	R 0661	88-108-153-080		C-RES,U 15K-1/16W J	LHSFD	CX-NSZ500
X	FUNC/E.VR	R 0661	88-108-153-080	0E	C-RES,U 15K-1/16W J	USFD	CX-NAJ500
X	FUNC/E.VR	R 0661	88-108-153-080	0E	C-RES,U 15K-1/16W J	USFD	CX-NAJ503
X	FUNC/E.VR	R 0661	88-108-153-080	0E	C-RES,U 15K-1/16W J	EZSFD	CX-NSZ500
X	FUNC/E.VR	R 0662	88-108-153-080		C-RES,U 15K-1/16W J	LHSFD	CX-NSZ500
X	FUNC/E.VR	R 0662	88-108-153-080	0E	C-RES,U 15K-1/16W J	USFD	CX-NAJ500
X	FUNC/E.VR	R 0662	88-108-153-080	0E	C-RES,U 15K-1/16W J	USFD	CX-NAJ503
X	FUNC/E.VR	R 0662	88-108-153-080	0E	C-RES,U 15K-1/16W J	EZSFD	CX-NSZ500
O	KNOB		8B-NFK-014-010		KNOB,RTRY VOL	LHSFD	CX-NSZ500
O	KNOB		8B-NFK-014-010	0E	KNOB,RTRY VOL	USFD	CX-NAJ500
O	KNOB		8B-NFK-014-010	0E	KNOB,RTRY VOL	USFD	CX-NAJ503
O	KNOB		8B-NFK-014-010	0E	KNOB,RTRY VOL	EZSFD	CX-NSZ500
O	KNOB		8B-NFK-015-010		KNOB,RTRY JOG	LHSFD	CX-NSZ500
O	KNOB		8B-NFK-015-010	0E	KNOB,RTRY JOG	USFD	CX-NAJ500
O	KNOB		8B-NFK-015-010	0E	KNOB,RTRY JOG	USFD	CX-NAJ503
O	KNOB		8B-NFK-015-010	0E	KNOB,RTRY JOG	EZSFD	CX-NSZ500
O	KNOB		8B-NFK-016-010		KEY, POWER	LHSFD	CX-NSZ500
O	KNOB		8B-NFK-016-010	--	KEY, POWER	USFD	CX-NAJ500
O	KNOB		8B-NFK-016-010	--	KEY, POWER	USFD	CX-NAJ503
O	KNOB		8B-NFK-016-010	--	KEY, POWER	EZSFD	CX-NSZ500
O	KNOB		8B-NFK-017-010		KEY, GEQ	LHSFD	CX-NSZ500
O	KNOB		8B-NFK-017-010	0E	KEY, GEQ	USFD	CX-NAJ500
O	KNOB		8B-NFK-017-010	0E	KEY, GEQ	USFD	CX-NAJ503
O	KNOB		8B-NFK-017-010	0E	KEY, GEQ	EZSFD	CX-NSZ500
O	KNOB		8B-NFK-018-010		KEY, PLAY 1WAY	LHSFD	CX-NSZ500

PARTS LIST

! = Δ SAFTY PARTS
 C = Components marked

All components used on this model at the production line are shown in this service manual.

However, please note that not all components will be available as spare parts for after-sales service.

Components marked S and O are designated as spare parts for service and will be stocked at the spare parts centers.

Components marked X and R are not designated as spare parts for after sales service, and will not be stocked at the spare parts centers.

K NO. = Only use Japanese.

! C	UNIT NAME	REF NO.	PARTS CODE	K NO.	DESCRIPTION	SUFFIX	MODEL NAME
O	KNOB		8B-NFK-018-010	--	KEY, PLAY 1WAY	USFD	CX-NAJ500
O	KNOB		8B-NFK-018-010	--	KEY, PLAY 1WAY	USFD	CX-NAJ503
O	KNOB		8B-NFK-018-010	--	KEY, PLAY 1WAY	EZSFD	CX-NSZ500
O	KNOB		8B-NFK-020-010		KEY, ASSY FUNCTION	LHSFD	CX-NSZ500
O	KNOB		8B-NFK-020-010	1B	KEY, ASSY FUNCTION	USFD	CX-NAJ500
O	KNOB		8B-NFK-020-010	1B	KEY, ASSY FUNCTION	USFD	CX-NAJ503
O	KNOB		8B-NFK-020-010	1B	KEY, ASSY FUNCTION	EZSFD	CX-NSZ500
X	KNOB		8B-NFK-021-010		CAP, FUNCTION	LHSFD	CX-NSZ500
X	KNOB		8B-NFK-021-010	--	CAP, FUNCTION	USFD	CX-NAJ500
X	KNOB		8B-NFK-021-010	--	CAP, FUNCTION	USFD	CX-NAJ503
X	KNOB		8B-NFK-021-010	--	CAP, FUNCTION	EZSFD	CX-NSZ500
X	KNOB		8B-NFK-022-010		KEY, FUNCTION	LHSFD	CX-NSZ500
X	KNOB		8B-NFK-022-010	--	KEY, FUNCTION	USFD	CX-NAJ500
X	KNOB		8B-NFK-022-010	--	KEY, FUNCTION	USFD	CX-NAJ503
X	KNOB		8B-NFK-022-010	--	KEY, FUNCTION	EZSFD	CX-NSZ500
X	KNOB		8B-NFK-023-010		SH, FUNCTION	LHSFD	CX-NSZ500
X	KNOB		8B-NFK-023-010	--	SH, FUNCTION	USFD	CX-NAJ500
X	KNOB		8B-NFK-023-010	--	SH, FUNCTION	USFD	CX-NAJ503
X	KNOB		8B-NFK-023-010	--	SH, FUNCTION	EZSFD	CX-NSZ500
O	KNOB		8B-NFK-024-010		KEY, CD	LHSFD	CX-NSZ500
O	KNOB		8B-NFK-024-010	1A	KEY, CD	USFD	CX-NAJ500
O	KNOB		8B-NFK-024-010	1A	KEY, CD	USFD	CX-NAJ503
O	KNOB		8B-NFK-024-010	1A	KEY, CD	EZSFD	CX-NSZ500
O	KNOB		8B-NFK-026-010		KEY, ENTER	LHSFD	CX-NSZ500
O	KNOB		8B-NFK-026-010	--	KEY, ENTER	USFD	CX-NAJ500
O	KNOB		8B-NFK-026-010	--	KEY, ENTER	USFD	CX-NAJ503
O	KNOB		8B-NFK-026-010	--	KEY, ENTER	EZSFD	CX-NSZ500
O	KNOB		8B-NFK-027-010		REFLECTOR, ECO	LHSFD	CX-NSZ500
O	KNOB		8B-NFK-027-010	0E	REFLECTOR, ECO	USFD	CX-NAJ500
O	KNOB		8B-NFK-027-010	0E	REFLECTOR, ECO	USFD	CX-NAJ503
O	KNOB		8B-NFK-027-010	0E	REFLECTOR, ECO	EZSFD	CX-NSZ500
O	KNOB		8B-NFK-029-010		LENS, SENSOR	LHSFD	CX-NSZ500
O	KNOB		8B-NFK-029-010	0E	LENS, SENSOR	USFD	CX-NAJ500
O	KNOB		8B-NFK-029-010	0E	LENS, SENSOR	USFD	CX-NAJ503
O	KNOB		8B-NFK-029-010	0E	LENS, SENSOR	EZSFD	CX-NSZ500
X	LBL, POP		87-B40-034-010	1B	LBL, USA 1-800	USFD	CX-NAJ500
X	LBL, POP		87-B40-034-010	1B	LBL, USA 1-800	USFD	CX-NAJ503
X	LBL, POP		8A-NF8-972-010	0E	LBL, POP ENG	USFD	CX-NAJ500
X	LBL, POP		8A-NF8-972-010	0E	LBL, POP ENG	USFD	CX-NAJ503
X	LBL, POP		8B-NFK-970-010		LBL, POP LHL	LHSFD	CX-NSZ500
X	LBL, POP		8B-NFK-971-010		LBL, POP LHR	LHSFD	CX-NSZ500
X	LBL, POP		8B-NFK-972-010	0E	LBL, POP UL	USFD	CX-NAJ500
X	LBL, POP		8B-NFK-973-010	0E	LBL, POP UR	USFD	CX-NAJ500
X	LBL, POP		8B-NFK-973-010	0E	LBL, POP UR	USFD	CX-NAJ503
X	LBL, POP		8B-NFK-974-010	0E	LBL, POP EZL	EZSFD	CX-NSZ500
X	LBL, POP		8B-NFK-975-010	0E	LBL, POP EZR	EZSFD	CX-NSZ500
X	LBL, POP		8B-NFK-976-010	0E	LBL, POP 503UL	USFD	CX-NAJ503
X	MECHANICAL		8B-NFK-231-010	1E	CHAS, MAIN BS 66-60	USFD	CX-NAJ500
X	MECHANICAL		8B-NFK-231-010	1E	CHAS, MAIN BS 66-60	EZSFD	CX-NSZ500
X	MECHANICAL		8B-NFK-232-010		CHAS, MAIN BS 76-60	LHSFD	CX-NSZ500
X	MECHANICAL		8B-NFK-232-010	1E	CHAS, MAIN BS 76-60	USFD	CX-NAJ503
X	MICON	*	8B-NFK-621-010		PWB, FRONT-IND BNF-19	LHSFD	CX-NSZ500
X	MICON	*	8B-NFK-621-010	--	PWB, FRONT-IND BNF-19	USFD	CX-NAJ500
X	MICON	*	8B-NFK-621-010	--	PWB, FRONT-IND BNF-19	USFD	CX-NAJ503
X	MICON	*	8B-NFK-621-010	--	PWB, FRONT-IND BNF-19	EZSFD	CX-NSZ500
O	MICON	C 0108	87-010-785-080		C-CAP, U 0.015-25 K B GRM	LHSFD	CX-NSZ500
O	MICON	C 0108	87-010-785-080	0E	C-CAP, U 0.015-25 K B GRM	USFD	CX-NAJ500
O	MICON	C 0108	87-010-785-080	0E	C-CAP, U 0.015-25 K B GRM	USFD	CX-NAJ503
O	MICON	C 0108	87-010-785-080	0E	C-CAP, U 0.015-25 K B GRM	EZSFD	CX-NSZ500
O	MICON	C 0153	87-010-787-080		C-CAP, U 0.022-25 K B	LHSFD	CX-NSZ500
O	MICON	C 0153	87-010-787-080	0E	C-CAP, U 0.022-25 K B	USFD	CX-NAJ500
O	MICON	C 0153	87-010-787-080	0E	C-CAP, U 0.022-25 K B	EZSFD	CX-NSZ500
O	MICON	C 0154	87-A12-078-040		CAP, E 47-35 SMG	LHSFD	CX-NSZ500
O	MICON	C 0154	87-A12-078-040	0E	CAP, E 47-35 SMG	USFD	CX-NAJ500
O	MICON	C 0154	87-A12-078-040	0E	CAP, E 47-35 SMG	USFD	CX-NAJ503
O	MICON	C 0154	87-A12-078-040	0E	CAP, E 47-35 SMG	EZSFD	CX-NSZ500
O	MICON	C 0155	87-010-404-040		CAP, E 4.7-50 M 11L SME	LHSFD	CX-NSZ500
O	MICON	C 0155	87-010-404-040	0E	CAP, E 4.7-50 M 11L SME	USFD	CX-NAJ500
O	MICON	C 0155	87-010-404-040	0E	CAP, E 4.7-50 M 11L SME	USFD	CX-NAJ503

PARTS LIST

! = Δ SAFTY PARTS
 C = Components marked

All components used on this model at the production line are shown in this service manual.

However, please note that not all components will be available as spare parts for after-sales service.

Components marked S and O are designated as spare parts for service and will be stocked at the spare parts centers.

Components marked X and R are not designated as spare parts for after sales service, and will not be stocked at the spare parts centers.

K NO. = Only use Japanese.

! C	UNIT NAME	REF NO.	PARTS CODE	K NO.	DESCRIPTION	SUFFIX	MODEL NAME	
O	MICON	C	0155	87-010-404-040	0E	CAP,E 4.7-50 M 11L SME	EZSFD	CX-NSZ500
O	MICON	C	0156	87-010-404-040		CAP,E 4.7-50 M 11L SME	LHSFD	CX-NSZ500
O	MICON	C	0156	87-010-404-040	0E	CAP,E 4.7-50 M 11L SME	USFD	CX-NAJ500
O	MICON	C	0156	87-010-404-040	0E	CAP,E 4.7-50 M 11L SME	USFD	CX-NAJ503
O	MICON	C	0156	87-010-404-040	0E	CAP,E 4.7-50 M 11L SME	EZSFD	CX-NSZ500
O	MICON	C	0301	87-012-278-080		C-CAP,U 2200P-50 K B	LHSFD	CX-NSZ500
O	MICON	C	0301	87-012-278-080	0E	C-CAP,U 2200P-50 K B	USFD	CX-NAJ500
O	MICON	C	0301	87-012-278-080	0E	C-CAP,U 2200P-50 K B	USFD	CX-NAJ503
O	MICON	C	0301	87-012-278-080	0E	C-CAP,U 2200P-50 K B	EZSFD	CX-NSZ500
O	MICON	C	0351	87-A10-353-080		C-CAP,U 0.22-10 K B	LHSFD	CX-NSZ500
O	MICON	C	0351	87-A10-353-080	0E	C-CAP,U 0.22-10 K B	USFD	CX-NAJ500
O	MICON	C	0351	87-A10-353-080	0E	C-CAP,U 0.22-10 K B	USFD	CX-NAJ503
O	MICON	C	0351	87-A10-353-080	0E	C-CAP,U 0.22-10 K B	EZSFD	CX-NSZ500
O	MICON	C	0361	87-012-274-080		C-CAP,U 1000P-50 K B	LHSFD	CX-NSZ500
O	MICON	C	0361	87-012-274-080	0E	C-CAP,U 1000P-50 K B	USFD	CX-NAJ500
O	MICON	C	0361	87-012-274-080	0E	C-CAP,U 1000P-50 K B	USFD	CX-NAJ503
O	MICON	C	0361	87-012-274-080	0E	C-CAP,U 1000P-50 K B	EZSFD	CX-NSZ500
O	MICON	C	0361	87-012-274-080	0E	C-CAP,U 1000P-50 K B	EZSFD	CX-NSZ500
O	MICON	C	0361	87-012-274-080	0E	C-CAP,U 1000P-50 K B	EZSFD	CX-NSZ500
O	MICON	C	0361	87-012-274-080	0E	C-CAP,U 1000P-50 K B	EZSFD	CX-NSZ500
O	MICON	C	0362	87-012-274-080		C-CAP,U 1000P-50 K B	LHSFD	CX-NSZ500
O	MICON	C	0362	87-012-274-080	0E	C-CAP,U 1000P-50 K B	USFD	CX-NAJ500
O	MICON	C	0362	87-012-274-080	0E	C-CAP,U 1000P-50 K B	USFD	CX-NAJ503
O	MICON	C	0362	87-012-274-080	0E	C-CAP,U 1000P-50 K B	EZSFD	CX-NSZ500
O	MICON	C	0371	87-012-274-080		C-CAP,U 1000P-50 K B	LHSFD	CX-NSZ500
O	MICON	C	0371	87-012-274-080	0E	C-CAP,U 1000P-50 K B	USFD	CX-NAJ500
O	MICON	C	0371	87-012-274-080	0E	C-CAP,U 1000P-50 K B	USFD	CX-NAJ503
O	MICON	C	0371	87-012-274-080	0E	C-CAP,U 1000P-50 K B	EZSFD	CX-NSZ500
O	MICON	C	0372	87-012-274-080		C-CAP,U 1000P-50 K B	LHSFD	CX-NSZ500
O	MICON	C	0372	87-012-274-080	0E	C-CAP,U 1000P-50 K B	USFD	CX-NAJ500
O	MICON	C	0372	87-012-274-080	0E	C-CAP,U 1000P-50 K B	USFD	CX-NAJ503
O	MICON	C	0372	87-012-274-080	0E	C-CAP,U 1000P-50 K B	EZSFD	CX-NSZ500
O	MICON	C	0601	87-010-382-040		CAP,E 22-25 M 11L SME	LHSFD	CX-NSZ500
O	MICON	C	0601	87-010-382-040	0E	CAP,E 22-25 M 11L SME	USFD	CX-NAJ500
O	MICON	C	0601	87-010-382-040	0E	CAP,E 22-25 M 11L SME	USFD	CX-NAJ503
O	MICON	C	0601	87-010-382-040	0E	CAP,E 22-25 M 11L SME	EZSFD	CX-NSZ500
O	MICON	C	0801	87-A10-804-080		C-CAP,S 0.1-25 J B	LHSFD	CX-NSZ500
O	MICON	C	0801	87-A10-804-080	0E	C-CAP,S 0.1-25 J B	USFD	CX-NAJ500
O	MICON	C	0801	87-A10-804-080	0E	C-CAP,S 0.1-25 J B	USFD	CX-NAJ503
O	MICON	C	0801	87-A10-804-080	0E	C-CAP,S 0.1-25 J B	EZSFD	CX-NSZ500
O	MICON	C	0802	87-010-316-080		C-CAP,S 33P-50 J CH GRM	LHSFD	CX-NSZ500
O	MICON	C	0802	87-010-316-080	0E	C-CAP,S 33P-50 J CH GRM	USFD	CX-NAJ500
O	MICON	C	0802	87-010-316-080	0E	C-CAP,S 33P-50 J CH GRM	USFD	CX-NAJ503
O	MICON	C	0802	87-010-316-080	0E	C-CAP,S 33P-50 J CH GRM	EZSFD	CX-NSZ500
O	MICON	C	0803	87-012-280-080		C-CAP,U 3300P-50 K B	LHSFD	CX-NSZ500
O	MICON	C	0803	87-012-280-080	0E	C-CAP,U 3300P-50 K B	USFD	CX-NAJ500
O	MICON	C	0803	87-012-280-080	0E	C-CAP,U 3300P-50 K B	USFD	CX-NAJ503
O	MICON	C	0803	87-012-280-080	0E	C-CAP,U 3300P-50 K B	EZSFD	CX-NSZ500
O	MICON	C	0804	87-A10-592-080		C-CAP,S 0.015-50 J B	LHSFD	CX-NSZ500
O	MICON	C	0804	87-A10-592-080	0E	C-CAP,S 0.015-50 J B	USFD	CX-NAJ500
O	MICON	C	0804	87-A10-592-080	0E	C-CAP,S 0.015-50 J B	USFD	CX-NAJ503
O	MICON	C	0804	87-A10-592-080	0E	C-CAP,S 0.015-50 J B	EZSFD	CX-NSZ500
O	MICON	C	0805	87-012-184-080		C-CAP,U 33P-50 J CH	LHSFD	CX-NSZ500
O	MICON	C	0805	87-012-184-080	0E	C-CAP,U 33P-50 J CH	USFD	CX-NAJ500
O	MICON	C	0805	87-012-184-080	0E	C-CAP,U 33P-50 J CH	USFD	CX-NAJ503
O	MICON	C	0805	87-012-184-080	0E	C-CAP,U 33P-50 J CH	EZSFD	CX-NSZ500
O	MICON	C	0806	87-012-274-080		C-CAP,U 1000P-50 K B	LHSFD	CX-NSZ500
O	MICON	C	0806	87-012-274-080	0E	C-CAP,U 1000P-50 K B	USFD	CX-NAJ500
O	MICON	C	0806	87-012-274-080	0E	C-CAP,U 1000P-50 K B	USFD	CX-NAJ503
O	MICON	C	0806	87-012-274-080	0E	C-CAP,U 1000P-50 K B	EZSFD	CX-NSZ500
O	MICON	C	0807	87-012-274-080		C-CAP,U 1000P-50 K B	LHSFD	CX-NSZ500
O	MICON	C	0807	87-012-274-080	0E	C-CAP,U 1000P-50 K B	USFD	CX-NAJ500
O	MICON	C	0807	87-012-274-080	0E	C-CAP,U 1000P-50 K B	USFD	CX-NAJ503
O	MICON	C	0807	87-012-274-080	0E	C-CAP,U 1000P-50 K B	EZSFD	CX-NSZ500
O	MICON	C	0808	87-010-544-040		CAP,E 0.1-50 M 11L SME	LHSFD	CX-NSZ500
O	MICON	C	0808	87-010-544-040	0E	CAP,E 0.1-50 M 11L SME	USFD	CX-NAJ500
O	MICON	C	0808	87-010-544-040	0E	CAP,E 0.1-50 M 11L SME	USFD	CX-NAJ503
O	MICON	C	0808	87-010-544-040	0E	CAP,E 0.1-50 M 11L SME	EZSFD	CX-NSZ500
O	MICON	C	0809	87-010-404-040		CAP,E 4.7-50 M 11L SME	LHSFD	CX-NSZ500
O	MICON	C	0809	87-010-404-040	0E	CAP,E 4.7-50 M 11L SME	USFD	CX-NAJ500
O	MICON	C	0809	87-010-404-040	0E	CAP,E 4.7-50 M 11L SME	USFD	CX-NAJ503
O	MICON	C	0809	87-010-404-040	0E	CAP,E 4.7-50 M 11L SME	EZSFD	CX-NSZ500
O	MICON	C	0810	87-016-114-080		C-CAP,U 0.01-25 J B GRM	LHSFD	CX-NSZ500

PARTS LIST

! = Δ SAFTY PARTS
 C = Components marked

All components used on this model at the production line are shown in this service manual.

However, please note that not all components will be available as spare parts for after-sales service.

Components marked S and O are designated as spare parts for service and will be stocked at the spare parts centers.

Components marked X and R are not designated as spare parts for after sales service, and will not be stocked at the spare parts centers.

K NO. = Only use Japanese.

! C	UNIT NAME	REF NO.	PARTS CODE	K NO.	DESCRIPTION	SUFFIX	MODEL NAME
O	MICON	C 0810	87-016-114-080	0E	C-CAP,U 0.01-25 J B GRM	USFD	CX-NAJ500
O	MICON	C 0810	87-016-114-080	0E	C-CAP,U 0.01-25 J B GRM	USFD	CX-NAJ503
O	MICON	C 0810	87-016-114-080	0E	C-CAP,U 0.01-25 J B GRM	EZSFD	CX-NSZ500
O	MICON	C 0811	87-A12-052-080		C-CAP,S 0.033-25 J B	LHSFD	CX-NSZ500
O	MICON	C 0811	87-A12-052-080	0E	C-CAP,S 0.033-25 J B	USFD	CX-NAJ500
O	MICON	C 0811	87-A12-052-080	0E	C-CAP,S 0.033-25 J B	USFD	CX-NAJ503
O	MICON	C 0811	87-A12-052-080	0E	C-CAP,S 0.033-25 J B	EZSFD	CX-NSZ500
O	MICON	C 0901	87-012-195-080		C-CAP,U 100P-50 J CH	LHSFD	CX-NSZ500
O	MICON	C 0901	87-012-195-080	0E	C-CAP,U 100P-50 J CH	USFD	CX-NAJ500
O	MICON	C 0901	87-012-195-080	0E	C-CAP,U 100P-50 J CH	USFD	CX-NAJ503
O	MICON	C 0901	87-012-195-080	0E	C-CAP,U 100P-50 J CH	EZSFD	CX-NSZ500
O	MICON	C 0902	87-012-195-080		C-CAP,U 100P-50 J CH	LHSFD	CX-NSZ500
O	MICON	C 0902	87-012-195-080	0E	C-CAP,U 100P-50 J CH	USFD	CX-NAJ500
O	MICON	C 0902	87-012-195-080	0E	C-CAP,U 100P-50 J CH	USFD	CX-NAJ503
O	MICON	C 0902	87-012-195-080	0E	C-CAP,U 100P-50 J CH	EZSFD	CX-NSZ500
O	MICON	C 0903	87-012-195-080		C-CAP,U 100P-50 J CH	LHSFD	CX-NSZ500
O	MICON	C 0903	87-012-195-080	0E	C-CAP,U 100P-50 J CH	USFD	CX-NAJ500
O	MICON	C 0903	87-012-195-080	0E	C-CAP,U 100P-50 J CH	USFD	CX-NAJ503
O	MICON	C 0903	87-012-195-080	0E	C-CAP,U 100P-50 J CH	EZSFD	CX-NSZ500
O	MICON	C 0904	87-012-195-080		C-CAP,U 100P-50 J CH	LHSFD	CX-NSZ500
O	MICON	C 0904	87-012-195-080	0E	C-CAP,U 100P-50 J CH	USFD	CX-NAJ500
O	MICON	C 0904	87-012-195-080	0E	C-CAP,U 100P-50 J CH	USFD	CX-NAJ503
O	MICON	C 0904	87-012-195-080	0E	C-CAP,U 100P-50 J CH	EZSFD	CX-NSZ500
O	MICON	C 0905	87-012-195-080		C-CAP,U 100P-50 J CH	LHSFD	CX-NSZ500
O	MICON	C 0905	87-012-195-080	0E	C-CAP,U 100P-50 J CH	USFD	CX-NAJ500
O	MICON	C 0905	87-012-195-080	0E	C-CAP,U 100P-50 J CH	USFD	CX-NAJ503
O	MICON	C 0905	87-012-195-080	0E	C-CAP,U 100P-50 J CH	EZSFD	CX-NSZ500
O	MICON	C 0906	87-012-195-080		C-CAP,U 100P-50 J CH	LHSFD	CX-NSZ500
O	MICON	C 0906	87-012-195-080	0E	C-CAP,U 100P-50 J CH	USFD	CX-NAJ500
O	MICON	C 0906	87-012-195-080	0E	C-CAP,U 100P-50 J CH	USFD	CX-NAJ503
O	MICON	C 0906	87-012-195-080	0E	C-CAP,U 100P-50 J CH	EZSFD	CX-NSZ500
O	MICON	C 0907	87-012-195-080		C-CAP,U 100P-50 J CH	LHSFD	CX-NSZ500
O	MICON	C 0907	87-012-195-080	0E	C-CAP,U 100P-50 J CH	USFD	CX-NAJ500
O	MICON	C 0907	87-012-195-080	0E	C-CAP,U 100P-50 J CH	USFD	CX-NAJ503
O	MICON	C 0907	87-012-195-080	0E	C-CAP,U 100P-50 J CH	EZSFD	CX-NSZ500
O	MICON	C 0908	87-012-195-080		C-CAP,U 100P-50 J CH	LHSFD	CX-NSZ500
O	MICON	C 0908	87-012-195-080	0E	C-CAP,U 100P-50 J CH	USFD	CX-NAJ500
O	MICON	C 0908	87-012-195-080	0E	C-CAP,U 100P-50 J CH	USFD	CX-NAJ503
O	MICON	C 0908	87-012-195-080	0E	C-CAP,U 100P-50 J CH	EZSFD	CX-NSZ500
O	MICON	C 0909	87-012-195-080		C-CAP,U 100P-50 J CH	LHSFD	CX-NSZ500
O	MICON	C 0909	87-012-195-080	0E	C-CAP,U 100P-50 J CH	USFD	CX-NAJ500
O	MICON	C 0909	87-012-195-080	0E	C-CAP,U 100P-50 J CH	USFD	CX-NAJ503
O	MICON	C 0909	87-012-195-080	0E	C-CAP,U 100P-50 J CH	EZSFD	CX-NSZ500
O	MICON	C 0910	87-012-195-080		C-CAP,U 100P-50 J CH	LHSFD	CX-NSZ500
O	MICON	C 0910	87-012-195-080	0E	C-CAP,U 100P-50 J CH	USFD	CX-NAJ500
O	MICON	C 0910	87-012-195-080	0E	C-CAP,U 100P-50 J CH	USFD	CX-NAJ503
O	MICON	C 0910	87-012-195-080	0E	C-CAP,U 100P-50 J CH	EZSFD	CX-NSZ500
O	MICON	C 0911	87-012-274-080		C-CAP,U 1000P-50 K B	LHSFD	CX-NSZ500
O	MICON	C 0911	87-012-274-080	0E	C-CAP,U 1000P-50 K B	USFD	CX-NAJ500
O	MICON	C 0911	87-012-274-080	0E	C-CAP,U 1000P-50 K B	USFD	CX-NAJ503
O	MICON	C 0911	87-012-274-080	0E	C-CAP,U 1000P-50 K B	EZSFD	CX-NSZ500
O	MICON	C 0912	87-010-831-080		C-CAP,U 0.1-16 Z F	LHSFD	CX-NSZ500
O	MICON	C 0912	87-010-831-080	0E	C-CAP,U 0.1-16 Z F	USFD	CX-NAJ500
O	MICON	C 0912	87-010-831-080	0E	C-CAP,U 0.1-16 Z F	USFD	CX-NAJ503
O	MICON	C 0912	87-010-831-080	0E	C-CAP,U 0.1-16 Z F	EZSFD	CX-NSZ500
O	MICON	C 0913	87-A10-189-040		CAP,E 220-10 M 5L	LHSFD	CX-NSZ500
O	MICON	C 0913	87-A10-189-040	0E	CAP,E 220-10 M 5L	USFD	CX-NAJ500
O	MICON	C 0913	87-A10-189-040	0E	CAP,E 220-10 M 5L	USFD	CX-NAJ503
O	MICON	C 0913	87-A10-189-040	0E	CAP,E 220-10 M 5L	EZSFD	CX-NSZ500
O	MICON	C 0914	87-A10-189-040		CAP,E 220-10 M 5L	LHSFD	CX-NSZ500
O	MICON	C 0914	87-A10-189-040	0E	CAP,E 220-10 M 5L	USFD	CX-NAJ500
O	MICON	C 0914	87-A10-189-040	0E	CAP,E 220-10 M 5L	USFD	CX-NAJ503
O	MICON	C 0914	87-A10-189-040	0E	CAP,E 220-10 M 5L	EZSFD	CX-NSZ500
O	MICON	C 0915	87-010-831-080		C-CAP,U 0.1-16 Z F	LHSFD	CX-NSZ500
O	MICON	C 0915	87-010-831-080	0E	C-CAP,U 0.1-16 Z F	USFD	CX-NAJ500
O	MICON	C 0915	87-010-831-080	0E	C-CAP,U 0.1-16 Z F	USFD	CX-NAJ503
O	MICON	C 0915	87-010-831-080	0E	C-CAP,U 0.1-16 Z F	EZSFD	CX-NSZ500
O	MICON	C 0916	87-010-831-080		C-CAP,U 0.1-16 Z F	LHSFD	CX-NSZ500
O	MICON	C 0916	87-010-831-080	0E	C-CAP,U 0.1-16 Z F	USFD	CX-NAJ500
O	MICON	C 0916	87-010-831-080	0E	C-CAP,U 0.1-16 Z F	USFD	CX-NAJ503
O	MICON	C 0916	87-010-831-080	0E	C-CAP,U 0.1-16 Z F	EZSFD	CX-NSZ500

PARTS LIST

! = Δ SAFTY PARTS
 C = Components marked

All components used on this model at the production line are shown in this service manual.

However, please note that not all components will be available as spare parts for after-sales service.

Components marked S and O are designated as spare parts for service and will be stocked at the spare parts centers.

Components marked X and R are not designated as spare parts for after sales service, and will not be stocked at the spare parts centers.

K NO. = Only use Japanese.

! C	UNIT NAME	REF NO.	PARTS CODE	K NO.	DESCRIPTION	SUFFIX	MODEL NAME
O	MICON	C 0916	87-010-831-080	0E	C-CAP,U 0.1-16 Z F	EZSFD	CX-NSZ500
O	MICON	C 0917	87-010-831-080		C-CAP,U 0.1-16 Z F	LHSFD	CX-NSZ500
O	MICON	C 0917	87-010-831-080	0E	C-CAP,U 0.1-16 Z F	USFD	CX-NAJ500
O	MICON	C 0917	87-010-831-080	0E	C-CAP,U 0.1-16 Z F	USFD	CX-NAJ503
O	MICON	C 0917	87-010-831-080	0E	C-CAP,U 0.1-16 Z F	EZSFD	CX-NSZ500
O	MICON	C 0919	87-012-286-080		C-CAP,U 0.01-25 K B	LHSFD	CX-NSZ500
O	MICON	C 0919	87-012-286-080	0E	C-CAP,U 0.01-25 K B	USFD	CX-NAJ500
O	MICON	C 0919	87-012-286-080	0E	C-CAP,U 0.01-25 K B	USFD	CX-NAJ503
O	MICON	C 0919	87-012-286-080	0E	C-CAP,U 0.01-25 K B	EZSFD	CX-NSZ500
O	MICON	C 0920	87-010-829-080		C-CAP,U 0.047-16 Z F	LHSFD	CX-NSZ500
O	MICON	C 0920	87-010-829-080	0E	C-CAP,U 0.047-16 Z F	USFD	CX-NAJ500
O	MICON	C 0920	87-010-829-080	0E	C-CAP,U 0.047-16 Z F	USFD	CX-NAJ503
O	MICON	C 0920	87-010-829-080	0E	C-CAP,U 0.047-16 Z F	EZSFD	CX-NSZ500
O	MICON	C 0921	87-012-282-080		C-CAP,U 4700P-50 K B	LHSFD	CX-NSZ500
O	MICON	C 0921	87-012-282-080	0E	C-CAP,U 4700P-50 K B	USFD	CX-NAJ500
O	MICON	C 0921	87-012-282-080	0E	C-CAP,U 4700P-50 K B	USFD	CX-NAJ503
O	MICON	C 0921	87-012-282-080	0E	C-CAP,U 4700P-50 K B	EZSFD	CX-NSZ500
O	MICON	C 0951	87-012-172-080		C-CAP,U 10P-50 D CH	LHSFD	CX-NSZ500
O	MICON	C 0951	87-012-172-080	0E	C-CAP,U 10P-50 D CH	USFD	CX-NAJ500
O	MICON	C 0951	87-012-172-080	0E	C-CAP,U 10P-50 D CH	USFD	CX-NAJ503
O	MICON	C 0951	87-012-172-080	0E	C-CAP,U 10P-50 D CH	EZSFD	CX-NSZ500
O	MICON	C 0952	87-010-854-080		C-CAP,S 560P-50 J CH	LHSFD	CX-NSZ500
O	MICON	C 0952	87-010-854-080	0E	C-CAP,S 560P-50 J CH	USFD	CX-NAJ500
O	MICON	C 0952	87-010-854-080	0E	C-CAP,S 560P-50 J CH	USFD	CX-NAJ503
O	MICON	C 0952	87-010-854-080	0E	C-CAP,S 560P-50 J CH	EZSFD	CX-NSZ500
O	MICON	C 0953	87-012-349-080		C-CAP,S 1000P-50 J CH GRM	LHSFD	CX-NSZ500
O	MICON	C 0953	87-012-349-080	0E	C-CAP,S 1000P-50 J CH GRM	USFD	CX-NAJ500
O	MICON	C 0953	87-012-349-080	0E	C-CAP,S 1000P-50 J CH GRM	USFD	CX-NAJ503
O	MICON	C 0953	87-012-349-080	0E	C-CAP,S 1000P-50 J CH GRM	EZSFD	CX-NSZ500
O	MICON	C 0961	87-010-378-040		CAP,E 10-16 M 11L SME	LHSFD	CX-NSZ500
O	MICON	C 0961	87-010-378-040	0E	CAP,E 10-16 M 11L SME	USFD	CX-NAJ500
O	MICON	C 0961	87-010-378-040	0E	CAP,E 10-16 M 11L SME	USFD	CX-NAJ503
O	MICON	C 0961	87-010-378-040	0E	CAP,E 10-16 M 11L SME	EZSFD	CX-NSZ500
O	MICON	C 0962	87-012-336-080		C-CAP,U 330P-50 J SL	LHSFD	CX-NSZ500
O	MICON	C 0962	87-012-336-080	0E	C-CAP,U 330P-50 J SL	USFD	CX-NAJ500
O	MICON	C 0962	87-012-336-080	0E	C-CAP,U 330P-50 J SL	USFD	CX-NAJ503
O	MICON	C 0962	87-012-336-080	0E	C-CAP,U 330P-50 J SL	EZSFD	CX-NSZ500
O	MICON	C 0963	87-010-831-080		C-CAP,U 0.1-16 Z F	LHSFD	CX-NSZ500
O	MICON	C 0963	87-010-831-080	0E	C-CAP,U 0.1-16 Z F	USFD	CX-NAJ500
O	MICON	C 0963	87-010-831-080	0E	C-CAP,U 0.1-16 Z F	USFD	CX-NAJ503
O	MICON	C 0963	87-010-831-080	0E	C-CAP,U 0.1-16 Z F	EZSFD	CX-NSZ500
!	O MICON	CN 0104	87-A60-057-010		CONN,11P V 9604S-11C	LHSFD	CX-NSZ500
!	O MICON	CN 0104	87-A60-057-010	0E	CONN,11P V 9604S-11C	USFD	CX-NAJ500
!	O MICON	CN 0104	87-A60-057-010	0E	CONN,11P V 9604S-11C	USFD	CX-NAJ503
!	O MICON	CN 0104	87-A60-057-010	0E	CONN,11P V 9604S-11C	EZSFD	CX-NSZ500
!	O MICON	CN 0701	87-099-720-010		CONN,30P BLK TYK-B(P)	LHSFD	CX-NSZ500
!	O MICON	CN 0701	87-099-720-010	1B	CONN,30P BLK TYK-B(P)	USFD	CX-NAJ500
!	O MICON	CN 0701	87-099-720-010	1B	CONN,30P BLK TYK-B(P)	USFD	CX-NAJ503
!	O MICON	CN 0701	87-099-720-010	1B	CONN,30P BLK TYK-B(P)	EZSFD	CX-NSZ500
!	O MICON	CN 0731	87-099-196-010		CONN,8P V BLK 6216	LHSFD	CX-NSZ500
!	O MICON	CN 0731	87-099-196-010	0E	CONN,8P V BLK 6216	USFD	CX-NAJ500
!	O MICON	CN 0731	87-099-196-010	0E	CONN,8P V BLK 6216	USFD	CX-NAJ503
!	O MICON	CN 0731	87-099-196-010	0E	CONN,8P V BLK 6216	EZSFD	CX-NSZ500
S	MICON	D 0104	87-A40-291-080		DIODE,1N4148M (CPT)	LHSFD	CX-NSZ500
S	MICON	D 0104	87-A40-291-080	0E	DIODE,1N4148M (CPT)	USFD	CX-NAJ500
S	MICON	D 0104	87-A40-291-080	0E	DIODE,1N4148M (CPT)	USFD	CX-NAJ503
S	MICON	D 0104	87-A40-291-080	0E	DIODE,1N4148M (CPT)	EZSFD	CX-NSZ500
S	MICON	D 0301	87-A40-748-080		ZENER,UZ5.6BSA	LHSFD	CX-NSZ500
S	MICON	D 0301	87-A40-748-080	0E	ZENER,UZ5.6BSA	USFD	CX-NAJ500
S	MICON	D 0301	87-A40-748-080	0E	ZENER,UZ5.6BSA	USFD	CX-NAJ503
S	MICON	D 0301	87-A40-748-080	0E	ZENER,UZ5.6BSA	EZSFD	CX-NSZ500
S	MICON	D 0302	87-A40-291-080		DIODE,1N4148M (CPT)	LHSFD	CX-NSZ500
S	MICON	D 0302	87-A40-291-080	0E	DIODE,1N4148M (CPT)	USFD	CX-NAJ500
S	MICON	D 0302	87-A40-291-080	0E	DIODE,1N4148M (CPT)	USFD	CX-NAJ503
S	MICON	D 0302	87-A40-291-080	0E	DIODE,1N4148M (CPT)	EZSFD	CX-NSZ500
S	MICON	D 0601	87-A40-269-080		C-DIODE,MC2836	LHSFD	CX-NSZ500
S	MICON	D 0601	87-A40-269-080	0E	C-DIODE,MC2836	USFD	CX-NAJ500
S	MICON	D 0601	87-A40-269-080	0E	C-DIODE,MC2836	USFD	CX-NAJ503
S	MICON	D 0601	87-A40-269-080	0E	C-DIODE,MC2836	EZSFD	CX-NSZ500
S	MICON	D 0651	87-A40-269-080		C-DIODE,MC2836	LHSFD	CX-NSZ500

PARTS LIST

! = Δ SAFTY PARTS
 C = Components marked

All components used on this model at the production line are shown in this service manual.

However, please note that not all components will be available as spare parts for after-sales service.

Components marked S and O are designated as spare parts for service and will be stocked at the spare parts centers.

Components marked X and R are not designated as spare parts for after sales service, and will not be stocked at the spare parts centers.

K NO. = Only use Japanese.

! C	UNIT NAME	REF NO.	PARTS CODE	K NO.	DESCRIPTION	SUFFIX	MODEL NAME
S	MICON	D 0651	87-A40-269-080	0E	C-DIODE,MC2836	USFD	CX-NAJ500
S	MICON	D 0651	87-A40-269-080	0E	C-DIODE,MC2836	USFD	CX-NAJ503
S	MICON	D 0651	87-A40-269-080	0E	C-DIODE,MC2836	EZSFD	CX-NSZ500
S	MICON	D 0652	87-A40-269-080		C-DIODE,MC2836	LHSFD	CX-NSZ500
S	MICON	D 0652	87-A40-269-080	0E	C-DIODE,MC2836	USFD	CX-NAJ500
S	MICON	D 0652	87-A40-269-080	0E	C-DIODE,MC2836	USFD	CX-NAJ503
S	MICON	D 0652	87-A40-269-080	0E	C-DIODE,MC2836	EZSFD	CX-NSZ500
S	MICON	D 0653	87-A40-269-080		C-DIODE,MC2836	LHSFD	CX-NSZ500
S	MICON	D 0653	87-A40-269-080	0E	C-DIODE,MC2836	USFD	CX-NAJ500
S	MICON	D 0653	87-A40-269-080	0E	C-DIODE,MC2836	USFD	CX-NAJ503
S	MICON	D 0653	87-A40-269-080	0E	C-DIODE,MC2836	EZSFD	CX-NSZ500
S	MICON	D 0654	87-A40-269-080		C-DIODE,MC2836	LHSFD	CX-NSZ500
S	MICON	D 0654	87-A40-269-080	0E	C-DIODE,MC2836	USFD	CX-NAJ500
S	MICON	D 0654	87-A40-269-080	0E	C-DIODE,MC2836	USFD	CX-NAJ503
S	MICON	D 0654	87-A40-269-080	0E	C-DIODE,MC2836	EZSFD	CX-NSZ500
S	MICON	D 0655	87-A40-269-080		C-DIODE,MC2836	LHSFD	CX-NSZ500
S	MICON	D 0655	87-A40-269-080	0E	C-DIODE,MC2836	USFD	CX-NAJ500
S	MICON	D 0655	87-A40-269-080	0E	C-DIODE,MC2836	USFD	CX-NAJ503
S	MICON	D 0655	87-A40-269-080	0E	C-DIODE,MC2836	EZSFD	CX-NSZ500
S	MICON	D 0656	87-A40-269-080		C-DIODE,MC2836	LHSFD	CX-NSZ500
S	MICON	D 0656	87-A40-269-080	0E	C-DIODE,MC2836	USFD	CX-NAJ500
S	MICON	D 0656	87-A40-269-080	0E	C-DIODE,MC2836	USFD	CX-NAJ503
S	MICON	D 0656	87-A40-269-080	0E	C-DIODE,MC2836	EZSFD	CX-NSZ500
S	MICON	D 0657	87-A40-269-080		C-DIODE,MC2836	LHSFD	CX-NSZ500
S	MICON	D 0657	87-A40-269-080	0E	C-DIODE,MC2836	USFD	CX-NAJ500
S	MICON	D 0657	87-A40-269-080	0E	C-DIODE,MC2836	USFD	CX-NAJ503
S	MICON	D 0657	87-A40-269-080	0E	C-DIODE,MC2836	EZSFD	CX-NSZ500
X	MICON	D 0702	88-100-000-010		PLATING-JW, 0.58 SN95	LHSFD	CX-NSZ500
X	MICON	D 0702	88-100-000-010	0E	PLATING-JW, 0.58 SN95	USFD	CX-NAJ500
X	MICON	D 0702	88-100-000-010	0E	PLATING-JW, 0.58 SN95	USFD	CX-NAJ503
X	MICON	D 0702	88-100-000-010	0E	PLATING-JW, 0.58 SN95	EZSFD	CX-NSZ500
X	MICON	D 0703	88-100-000-010		PLATING-JW, 0.58 SN95	LHSFD	CX-NSZ500
X	MICON	D 0703	88-100-000-010	0E	PLATING-JW, 0.58 SN95	USFD	CX-NAJ500
X	MICON	D 0703	88-100-000-010	0E	PLATING-JW, 0.58 SN95	USFD	CX-NAJ503
X	MICON	D 0703	88-100-000-010	0E	PLATING-JW, 0.58 SN95	EZSFD	CX-NSZ500
S	MICON	D 0801	87-A40-291-080		DIODE,1N4148M (CPT)	LHSFD	CX-NSZ500
S	MICON	D 0801	87-A40-291-080	0E	DIODE,1N4148M (CPT)	USFD	CX-NAJ500
S	MICON	D 0801	87-A40-291-080	0E	DIODE,1N4148M (CPT)	USFD	CX-NAJ503
S	MICON	D 0801	87-A40-291-080	0E	DIODE,1N4148M (CPT)	EZSFD	CX-NSZ500
S	MICON	D 0981	87-A40-291-080		DIODE,1N4148M (CPT)	LHSFD	CX-NSZ500
S	MICON	D 0981	87-A40-291-080	0E	DIODE,1N4148M (CPT)	USFD	CX-NAJ500
S	MICON	D 0981	87-A40-291-080	0E	DIODE,1N4148M (CPT)	USFD	CX-NAJ503
S	MICON	D 0981	87-A40-291-080	0E	DIODE,1N4148M (CPT)	EZSFD	CX-NSZ500
S	MICON	D 0989	87-A40-291-080		DIODE,1N4148M (CPT)	LHSFD	CX-NSZ500
S	MICON	D 0990	87-A40-291-080		DIODE,1N4148M (CPT)	LHSFD	CX-NSZ500
O	MICON	FL 901	8B-NFK-605-010		FL,BJ814GNAK	LHSFD	CX-NSZ500
O	MICON	FL 901	8B-NFK-605-010	2M	FL,BJ814GNAK	USFD	CX-NAJ500
O	MICON	FL 901	8B-NFK-605-010	2M	FL,BJ814GNAK	USFD	CX-NAJ503
O	MICON	FL 901	8B-NFK-605-010	2M	FL,BJ814GNAK	EZSFD	CX-NSZ500
S	MICON	IC 901	8B-NF9-601-030		C-IC,UPD780226GF-021-3BA	LHSFD	CX-NSZ500
S	MICON	IC 901	8B-NF9-601-030	2A	C-IC,UPD780226GF-021-3BA	USFD	CX-NAJ500
S	MICON	IC 901	8B-NF9-601-030	2A	C-IC,UPD780226GF-021-3BA	USFD	CX-NAJ503
S	MICON	IC 901	8B-NF9-601-030	2A	C-IC,UPD780226GF-021-3BA	EZSFD	CX-NSZ500
S	MICON	IC 0961	87-A21-218-110		IC,NJL64H380A	LHSFD	CX-NSZ500
S	MICON	IC 0961	87-A21-218-110	1B	IC,NJL64H380A	USFD	CX-NAJ500
S	MICON	IC 0961	87-A21-218-110	1B	IC,NJL64H380A	USFD	CX-NAJ503
S	MICON	IC 0961	87-A21-218-110	1B	IC,NJL64H380A	EZSFD	CX-NSZ500
X	MICON	JR 0101	88-108-000-080		C-JUMPER,U	LHSFD	CX-NSZ500
X	MICON	JR 0101	88-108-000-080	0E	C-JUMPER,U	USFD	CX-NAJ500
X	MICON	JR 0101	88-108-000-080	0E	C-JUMPER,U	USFD	CX-NAJ503
X	MICON	JR 0101	88-108-000-080	0E	C-JUMPER,U	EZSFD	CX-NSZ500
X	MICON	JR 0152	88-108-000-080		C-JUMPER,U	LHSFD	CX-NSZ500
X	MICON	JR 0152	88-108-000-080	0E	C-JUMPER,U	USFD	CX-NAJ500
X	MICON	JR 0152	88-108-000-080	0E	C-JUMPER,U	USFD	CX-NAJ503
X	MICON	JR 0152	88-108-000-080	0E	C-JUMPER,U	EZSFD	CX-NSZ500
X	MICON	JR 0601	88-108-000-080		C-JUMPER,U	LHSFD	CX-NSZ500
X	MICON	JR 0601	88-108-000-080	0E	C-JUMPER,U	USFD	CX-NAJ500
X	MICON	JR 0601	88-108-000-080	0E	C-JUMPER,U	USFD	CX-NAJ503
X	MICON	JR 0601	88-108-000-080	0E	C-JUMPER,U	EZSFD	CX-NSZ500
X	MICON	JR 0603	88-108-000-080		C-JUMPER,U	LHSFD	CX-NSZ500

PARTS LIST

! = Δ SAFTY PARTS
 C = Components marked

All components used on this model at the production line are shown in this service manual.

However, please note that not all components will be available as spare parts for after-sales service.

Components marked S and O are designated as spare parts for service and will be stocked at the spare parts centers.

Components marked X and R are not designated as spare parts for after sales service, and will not be stocked at the spare parts centers.

K NO. = Only use Japanese.

! C	UNIT NAME	REF NO.	PARTS CODE	K NO.	DESCRIPTION	SUFFIX	MODEL NAME
X	MICON	JR 0603	88-108-000-080	0E	C-JUMPER, U	USFD	CX-NAJ500
X	MICON	JR 0603	88-108-000-080	0E	C-JUMPER, U	USFD	CX-NAJ503
X	MICON	JR 0603	88-108-000-080	0E	C-JUMPER, U	EZSFD	CX-NSZ500
X	MICON	JR 0605	88-108-000-080		C-JUMPER, U	LHSFD	CX-NSZ500
X	MICON	JR 0605	88-108-000-080	0E	C-JUMPER, U	USFD	CX-NAJ500
X	MICON	JR 0605	88-108-000-080	0E	C-JUMPER, U	USFD	CX-NAJ503
X	MICON	JR 0605	88-108-000-080	0E	C-JUMPER, U	EZSFD	CX-NSZ500
X	MICON	JR 0607	88-108-000-080		C-JUMPER, U	LHSFD	CX-NSZ500
X	MICON	JR 0607	88-108-000-080	0E	C-JUMPER, U	USFD	CX-NAJ500
X	MICON	JR 0607	88-108-000-080	0E	C-JUMPER, U	USFD	CX-NAJ503
X	MICON	JR 0607	88-108-000-080	0E	C-JUMPER, U	EZSFD	CX-NSZ500
X	MICON	JR 0609	88-108-000-080		C-JUMPER, U	LHSFD	CX-NSZ500
X	MICON	JR 0609	88-108-000-080	0E	C-JUMPER, U	USFD	CX-NAJ500
X	MICON	JR 0609	88-108-000-080	0E	C-JUMPER, U	USFD	CX-NAJ503
X	MICON	JR 0609	88-108-000-080	0E	C-JUMPER, U	EZSFD	CX-NSZ500
X	MICON	JR 0612	88-108-000-080		C-JUMPER, U	LHSFD	CX-NSZ500
X	MICON	JR 0612	88-108-000-080	0E	C-JUMPER, U	USFD	CX-NAJ500
X	MICON	JR 0612	88-108-000-080	0E	C-JUMPER, U	USFD	CX-NAJ503
X	MICON	JR 0612	88-108-000-080	0E	C-JUMPER, U	EZSFD	CX-NSZ500
X	MICON	JR 0616	88-108-000-080		C-JUMPER, U	LHSFD	CX-NSZ500
X	MICON	JR 0616	88-108-000-080	0E	C-JUMPER, U	USFD	CX-NAJ500
X	MICON	JR 0616	88-108-000-080	0E	C-JUMPER, U	USFD	CX-NAJ503
X	MICON	JR 0616	88-108-000-080	0E	C-JUMPER, U	EZSFD	CX-NSZ500
X	MICON	JR 0617	88-108-000-080		C-JUMPER, U	LHSFD	CX-NSZ500
X	MICON	JR 0617	88-108-000-080	0E	C-JUMPER, U	USFD	CX-NAJ500
X	MICON	JR 0617	88-108-000-080	0E	C-JUMPER, U	USFD	CX-NAJ503
X	MICON	JR 0617	88-108-000-080	0E	C-JUMPER, U	EZSFD	CX-NSZ500
X	MICON	JR 0618	88-108-000-080		C-JUMPER, U	LHSFD	CX-NSZ500
X	MICON	JR 0618	88-108-000-080	0E	C-JUMPER, U	USFD	CX-NAJ500
X	MICON	JR 0618	88-108-000-080	0E	C-JUMPER, U	USFD	CX-NAJ503
X	MICON	JR 0618	88-108-000-080	0E	C-JUMPER, U	EZSFD	CX-NSZ500
X	MICON	JR 0619	88-108-000-080		C-JUMPER, U	LHSFD	CX-NSZ500
X	MICON	JR 0619	88-108-000-080	0E	C-JUMPER, U	USFD	CX-NAJ500
X	MICON	JR 0619	88-108-000-080	0E	C-JUMPER, U	USFD	CX-NAJ503
X	MICON	JR 0619	88-108-000-080	0E	C-JUMPER, U	EZSFD	CX-NSZ500
X	MICON	JR 0621	88-108-000-080		C-JUMPER, U	LHSFD	CX-NSZ500
X	MICON	JR 0621	88-108-000-080	0E	C-JUMPER, U	USFD	CX-NAJ500
X	MICON	JR 0621	88-108-000-080	0E	C-JUMPER, U	USFD	CX-NAJ503
X	MICON	JR 0621	88-108-000-080	0E	C-JUMPER, U	EZSFD	CX-NSZ500
X	MICON	JR 0703	88-108-000-080		C-JUMPER, U	LHSFD	CX-NSZ500
X	MICON	JR 0703	88-108-000-080	0E	C-JUMPER, U	USFD	CX-NAJ500
X	MICON	JR 0703	88-108-000-080	0E	C-JUMPER, U	USFD	CX-NAJ503
X	MICON	JR 0703	88-108-000-080	0E	C-JUMPER, U	EZSFD	CX-NSZ500
X	MICON	JR 0704	88-108-000-080		C-JUMPER, U	LHSFD	CX-NSZ500
X	MICON	JR 0704	88-108-000-080	0E	C-JUMPER, U	USFD	CX-NAJ500
X	MICON	JR 0704	88-108-000-080	0E	C-JUMPER, U	USFD	CX-NAJ503
X	MICON	JR 0704	88-108-000-080	0E	C-JUMPER, U	EZSFD	CX-NSZ500
X	MICON	JR 0901	88-108-000-080		C-JUMPER, U	LHSFD	CX-NSZ500
X	MICON	JR 0901	88-108-000-080	0E	C-JUMPER, U	USFD	CX-NAJ500
X	MICON	JR 0901	88-108-000-080	0E	C-JUMPER, U	USFD	CX-NAJ503
X	MICON	JR 0901	88-108-000-080	0E	C-JUMPER, U	EZSFD	CX-NSZ500
X	MICON	JR 0902	88-108-000-080		C-JUMPER, U	LHSFD	CX-NSZ500
X	MICON	JR 0902	88-108-000-080	0E	C-JUMPER, U	USFD	CX-NAJ500
X	MICON	JR 0902	88-108-000-080	0E	C-JUMPER, U	USFD	CX-NAJ503
X	MICON	JR 0902	88-108-000-080	0E	C-JUMPER, U	EZSFD	CX-NSZ500
X	MICON	JR 0903	88-108-000-080		C-JUMPER, U	LHSFD	CX-NSZ500
X	MICON	JR 0903	88-108-000-080	0E	C-JUMPER, U	USFD	CX-NAJ500
X	MICON	JR 0903	88-108-000-080	0E	C-JUMPER, U	USFD	CX-NAJ503
X	MICON	JR 0903	88-108-000-080	0E	C-JUMPER, U	EZSFD	CX-NSZ500
X	MICON	JR 0904	88-129-000-080		C-JUMPER, 3216	LHSFD	CX-NSZ500
X	MICON	JR 0904	88-129-000-080	0E	C-JUMPER, 3216	USFD	CX-NAJ500
X	MICON	JR 0904	88-129-000-080	0E	C-JUMPER, 3216	USFD	CX-NAJ503
X	MICON	JR 0904	88-129-000-080	0E	C-JUMPER, 3216	EZSFD	CX-NSZ500
X	MICON	JR 0905	88-108-000-080		C-JUMPER, U	LHSFD	CX-NSZ500
X	MICON	JR 0905	88-108-000-080	0E	C-JUMPER, U	USFD	CX-NAJ500
X	MICON	JR 0905	88-108-000-080	0E	C-JUMPER, U	USFD	CX-NAJ503
X	MICON	JR 0905	88-108-000-080	0E	C-JUMPER, U	EZSFD	CX-NSZ500
X	MICON	JR 0964	88-108-000-080		C-JUMPER, U	LHSFD	CX-NSZ500
X	MICON	JR 0964	88-108-000-080	0E	C-JUMPER, U	USFD	CX-NAJ500
X	MICON	JR 0964	88-108-000-080	0E	C-JUMPER, U	USFD	CX-NAJ503

PARTS LIST

! = Δ SAFTY PARTS
 C = Components marked

All components used on this model at the production line are shown in this service manual.

However, please note that not all components will be available as spare parts for after-sales service.

Components marked S and O are designated as spare parts for service and will be stocked at the spare parts centers.

Components marked X and R are not designated as spare parts for after sales service, and will not be stocked at the spare parts centers.

K NO. = Only use Japanese.

! C	UNIT NAME	REF NO.	PARTS CODE	K NO.	DESCRIPTION	SUFFIX	MODEL NAME
X	MICON	JR 0964	88-108-000-080	0E	C-JUMPER, U	EZSFD	CX-NSZ500
O	MICON	L 0951	87-A50-655-010		COIL, CLK 4.19MHZ (TOKO) 7KLY	LHSFD	CX-NSZ500
O	MICON	L 0951	87-A50-655-010	0E	COIL, CLK 4.19MHZ (TOKO) 7KLY	USFD	CX-NAJ500
O	MICON	L 0951	87-A50-655-010	0E	COIL, CLK 4.19MHZ (TOKO) 7KLY	USFD	CX-NAJ503
O	MICON	L 0951	87-A50-655-010	0E	COIL, CLK 4.19MHZ (TOKO) 7KLY	EZSFD	CX-NSZ500
O	MICON	LED0201	87-A40-606-040		LED, SLR-332VC	LHSFD	CX-NSZ500
O	MICON	LED0201	87-A40-606-040	0E	LED, SLR-332VC	USFD	CX-NAJ500
O	MICON	LED0201	87-A40-606-040	0E	LED, SLR-332VC	USFD	CX-NAJ503
O	MICON	LED0201	87-A40-606-040	0E	LED, SLR-332VC	EZSFD	CX-NSZ500
O	MICON	LED0202	87-A40-606-040		LED, SLR-332VC	LHSFD	CX-NSZ500
O	MICON	LED0202	87-A40-606-040	0E	LED, SLR-332VC	USFD	CX-NAJ500
O	MICON	LED0202	87-A40-606-040	0E	LED, SLR-332VC	USFD	CX-NAJ503
O	MICON	LED0202	87-A40-606-040	0E	LED, SLR-332VC	EZSFD	CX-NSZ500
O	MICON	LED0203	87-A40-606-040		LED, SLR-332VC	LHSFD	CX-NSZ500
O	MICON	LED0203	87-A40-606-040	0E	LED, SLR-332VC	USFD	CX-NAJ500
O	MICON	LED0203	87-A40-606-040	0E	LED, SLR-332VC	USFD	CX-NAJ503
O	MICON	LED0203	87-A40-606-040	0E	LED, SLR-332VC	EZSFD	CX-NSZ500
O	MICON	LED0204	87-A40-606-040		LED, SLR-332VC	LHSFD	CX-NSZ500
O	MICON	LED0204	87-A40-606-040	0E	LED, SLR-332VC	USFD	CX-NAJ500
O	MICON	LED0204	87-A40-606-040	0E	LED, SLR-332VC	USFD	CX-NAJ503
O	MICON	LED0204	87-A40-606-040	0E	LED, SLR-332VC	EZSFD	CX-NSZ500
O	MICON	LED0209	87-A40-317-080		LED, SLR-342VCT31	LHSFD	CX-NSZ500
O	MICON	LED0209	87-A40-317-080	0E	LED, SLR-342VCT31	RED	CX-NAJ500
O	MICON	LED0209	87-A40-317-080	0E	LED, SLR-342VCT31	RED	CX-NAJ503
O	MICON	LED0209	87-A40-317-080	0E	LED, SLR-342VCT31	RED	CX-NSZ500
S	MICON	Q 0102	87-A30-076-080		C-TR, 2SC3052F	LHSFD	CX-NSZ500
S	MICON	Q 0102	87-A30-076-080	0E	C-TR, 2SC3052F	USFD	CX-NAJ500
S	MICON	Q 0102	87-A30-076-080	0E	C-TR, 2SC3052F	USFD	CX-NAJ503
S	MICON	Q 0102	87-A30-076-080	0E	C-TR, 2SC3052F	EZSFD	CX-NSZ500
S	MICON	Q 0103	87-A30-074-080		C-TR, RT1P 141C	LHSFD	CX-NSZ500
S	MICON	Q 0103	87-A30-074-080	0E	C-TR, RT1P 141C	USFD	CX-NAJ500
S	MICON	Q 0103	87-A30-074-080	0E	C-TR, RT1P 141C	USFD	CX-NAJ503
S	MICON	Q 0103	87-A30-074-080	0E	C-TR, RT1P 141C	EZSFD	CX-NSZ500
S	MICON	Q 0104	87-A30-074-080		C-TR, RT1P 141C	LHSFD	CX-NSZ500
S	MICON	Q 0104	87-A30-074-080	0E	C-TR, RT1P 141C	USFD	CX-NAJ500
S	MICON	Q 0104	87-A30-074-080	0E	C-TR, RT1P 141C	USFD	CX-NAJ503
S	MICON	Q 0104	87-A30-074-080	0E	C-TR, RT1P 141C	EZSFD	CX-NSZ500
S	MICON	Q 0105	87-A30-468-080		C-TR, KRC102S-RTK	LHSFD	CX-NSZ500
S	MICON	Q 0105	87-A30-468-080	0E	C-TR, KRC102S-RTK	USFD	CX-NAJ500
S	MICON	Q 0105	87-A30-468-080	0E	C-TR, KRC102S-RTK	USFD	CX-NAJ503
S	MICON	Q 0105	87-A30-468-080	0E	C-TR, KRC102S-RTK	EZSFD	CX-NSZ500
S	MICON	Q 0301	87-A30-494-080		TR, 2SA1980G	LHSFD	CX-NSZ500
S	MICON	Q 0301	87-A30-494-080	0E	TR, 2SA1980G	USFD	CX-NAJ500
S	MICON	Q 0301	87-A30-494-080	0E	TR, 2SA1980G	USFD	CX-NAJ503
S	MICON	Q 0301	87-A30-494-080	0E	TR, 2SA1980G	EZSFD	CX-NSZ500
S	MICON	Q 0302	87-A30-076-080		C-TR, 2SC3052F	LHSFD	CX-NSZ500
S	MICON	Q 0302	87-A30-076-080	0E	C-TR, 2SC3052F	USFD	CX-NAJ500
S	MICON	Q 0302	87-A30-076-080	0E	C-TR, 2SC3052F	USFD	CX-NAJ503
S	MICON	Q 0302	87-A30-076-080	0E	C-TR, 2SC3052F	EZSFD	CX-NSZ500
S	MICON	Q 0303	87-A30-076-080		C-TR, 2SC3052F	LHSFD	CX-NSZ500
S	MICON	Q 0303	87-A30-076-080	0E	C-TR, 2SC3052F	USFD	CX-NAJ500
S	MICON	Q 0303	87-A30-076-080	0E	C-TR, 2SC3052F	USFD	CX-NAJ503
S	MICON	Q 0303	87-A30-076-080	0E	C-TR, 2SC3052F	EZSFD	CX-NSZ500
S	MICON	Q 0601	87-A30-495-080		TR, 2SA1981Y	LHSFD	CX-NSZ500
S	MICON	Q 0601	87-A30-495-080	0E	TR, 2SA1981Y	USFD	CX-NAJ500
S	MICON	Q 0601	87-A30-495-080	0E	TR, 2SA1981Y	USFD	CX-NAJ503
S	MICON	Q 0601	87-A30-495-080	0E	TR, 2SA1981Y	EZSFD	CX-NSZ500
S	MICON	Q 0602	87-A30-495-080		TR, 2SA1981Y	LHSFD	CX-NSZ500
S	MICON	Q 0602	87-A30-495-080	0E	TR, 2SA1981Y	USFD	CX-NAJ500
S	MICON	Q 0602	87-A30-495-080	0E	TR, 2SA1981Y	USFD	CX-NAJ503
S	MICON	Q 0602	87-A30-495-080	0E	TR, 2SA1981Y	EZSFD	CX-NSZ500
S	MICON	Q 0603	87-A30-582-080		TR, CDA1585BC	LHSFD	CX-NSZ500
S	MICON	Q 0603	87-A30-582-080	0E	TR, CDA1585BC	USFD	CX-NAJ500
S	MICON	Q 0603	87-A30-582-080	0E	TR, CDA1585BC	USFD	CX-NAJ503
S	MICON	Q 0603	87-A30-582-080	0E	TR, CDA1585BC	EZSFD	CX-NSZ500
S	MICON	Q 0801	87-A30-076-080		C-TR, 2SC3052F	LHSFD	CX-NSZ500
S	MICON	Q 0801	87-A30-076-080	0E	C-TR, 2SC3052F	USFD	CX-NAJ500
S	MICON	Q 0801	87-A30-076-080	0E	C-TR, 2SC3052F	USFD	CX-NAJ503
S	MICON	Q 0801	87-A30-076-080	0E	C-TR, 2SC3052F	EZSFD	CX-NSZ500
S	MICON	Q 0802	87-A30-075-080		C-TR, 2SA1235F	LHSFD	CX-NSZ500

PARTS LIST

! = Δ SAFTY PARTS
 C = Components marked

All components used on this model at the production line are shown in this service manual.

However, please note that not all components will be available as spare parts for after-sales service.

Components marked S and O are designated as spare parts for service and will be stocked at the spare parts centers.

Components marked X and R are not designated as spare parts for after sales service, and will not be stocked at the spare parts centers.

K NO. = Only use Japanese.

! C	UNIT NAME	REF NO.	PARTS CODE	K NO.	DESCRIPTION	SUFFIX	MODEL NAME
S	MICON	Q 0802	87-A30-075-080	0E	C-TR, 2SA1235F	USFD	CX-NAJ500
S	MICON	Q 0802	87-A30-075-080	0E	C-TR, 2SA1235F	USFD	CX-NAJ503
S	MICON	Q 0802	87-A30-075-080	0E	C-TR, 2SA1235F	EZSFD	CX-NSZ500
S	MICON	Q 0803	87-A30-490-080		C-TR, KRC107S	LHSFD	CX-NSZ500
S	MICON	Q 0803	87-A30-490-080	0E	C-TR, KRC107S	USFD	CX-NAJ500
S	MICON	Q 0803	87-A30-490-080	0E	C-TR, KRC107S	USFD	CX-NAJ503
S	MICON	Q 0803	87-A30-490-080	0E	C-TR, KRC107S	EZSFD	CX-NSZ500
S	MICON	Q 0804	87-A30-490-080		C-TR, KRC107S	LHSFD	CX-NSZ500
S	MICON	Q 0804	87-A30-490-080	0E	C-TR, KRC107S	USFD	CX-NAJ500
S	MICON	Q 0804	87-A30-490-080	0E	C-TR, KRC107S	USFD	CX-NAJ503
S	MICON	Q 0804	87-A30-490-080	0E	C-TR, KRC107S	EZSFD	CX-NSZ500
S	MICON	Q 0805	87-A30-490-080	0E	C-TR, KRC107S	LHSFD	CX-NSZ500
S	MICON	Q 0805	87-A30-490-080	0E	C-TR, KRC107S	USFD	CX-NAJ503
S	MICON	Q 0805	87-A30-490-080	0E	C-TR, KRC107S	EZSFD	CX-NSZ500
S	MICON	Q 0901	87-A30-074-080		C-TR, RT1P 141C	LHSFD	CX-NSZ500
S	MICON	Q 0901	87-A30-074-080	0E	C-TR, RT1P 141C	USFD	CX-NAJ500
S	MICON	Q 0901	87-A30-074-080	0E	C-TR, RT1P 141C	USFD	CX-NAJ503
S	MICON	Q 0901	87-A30-074-080	0E	C-TR, RT1P 141C	EZSFD	CX-NSZ500
X	MICON	R 0109	88-108-224-080		C-RES, U 220K-1/16W J	LHSFD	CX-NSZ500
X	MICON	R 0109	88-108-224-080	0E	C-RES, U 220K-1/16W J	USFD	CX-NAJ500
X	MICON	R 0109	88-108-224-080	0E	C-RES, U 220K-1/16W J	EZSFD	CX-NSZ500
X	MICON	R 0110	88-108-153-080		C-RES, U 15K-1/16W J	LHSFD	CX-NSZ500
X	MICON	R 0110	88-108-153-080	0E	C-RES, U 15K-1/16W J	USFD	CX-NAJ500
X	MICON	R 0110	88-108-153-080	0E	C-RES, U 15K-1/16W J	USFD	CX-NAJ503
X	MICON	R 0110	88-108-153-080	0E	C-RES, U 15K-1/16W J	EZSFD	CX-NSZ500
X	MICON	R 0111	88-108-333-080		C-RES, U 33K-1/16W J	LHSFD	CX-NSZ500
X	MICON	R 0111	88-108-333-080	0E	C-RES, U 33K-1/16W J	USFD	CX-NAJ500
X	MICON	R 0111	88-108-333-080	0E	C-RES, U 33K-1/16W J	USFD	CX-NAJ503
X	MICON	R 0111	88-108-333-080	0E	C-RES, U 33K-1/16W J	EZSFD	CX-NSZ500
X	MICON	R 0112	88-108-224-080		C-RES, U 220K-1/16W J	LHSFD	CX-NSZ500
X	MICON	R 0112	88-108-224-080	0E	C-RES, U 220K-1/16W J	USFD	CX-NAJ500
X	MICON	R 0112	88-108-224-080	0E	C-RES, U 220K-1/16W J	USFD	CX-NAJ503
X	MICON	R 0112	88-108-224-080	0E	C-RES, U 220K-1/16W J	EZSFD	CX-NSZ500
X	MICON	R 0114	88-108-103-080		C-RES, U 10K-1/16W J	LHSFD	CX-NSZ500
X	MICON	R 0114	88-108-103-080	0E	C-RES, U 10K-1/16W J	USFD	CX-NAJ500
X	MICON	R 0114	88-108-103-080	0E	C-RES, U 10K-1/16W J	USFD	CX-NAJ503
X	MICON	R 0114	88-108-103-080	0E	C-RES, U 10K-1/16W J	EZSFD	CX-NSZ500
X	MICON	R 0115	88-121-103-080		RES, 10K-1/8W J	LHSFD	CX-NSZ500
X	MICON	R 0115	88-121-103-080	0E	RES, 10K-1/8W J	USFD	CX-NAJ500
X	MICON	R 0115	88-121-103-080	0E	RES, 10K-1/8W J	EZSFD	CX-NSZ500
X	MICON	R 0116	88-108-104-080		C-RES, U 100K-1/16W J	LHSFD	CX-NSZ500
X	MICON	R 0116	88-108-104-080	0E	C-RES, U 100K-1/16W J	USFD	CX-NAJ500
X	MICON	R 0116	88-108-104-080	0E	C-RES, U 100K-1/16W J	USFD	CX-NAJ503
X	MICON	R 0116	88-108-104-080	0E	C-RES, U 100K-1/16W J	EZSFD	CX-NSZ500
X	MICON	R 0151	88-100-000-010		PLATING-JW, 0.58 SN95	LHSFD	CX-NSZ500
X	MICON	R 0151	88-100-000-010	0E	PLATING-JW, 0.58 SN95	USFD	CX-NAJ500
X	MICON	R 0151	88-100-000-010	0E	PLATING-JW, 0.58 SN95	USFD	CX-NAJ503
X	MICON	R 0151	88-100-000-010	0E	PLATING-JW, 0.58 SN95	EZSFD	CX-NSZ500
X	MICON	R 0152	88-100-000-010		PLATING-JW, 0.58 SN95	LHSFD	CX-NSZ500
X	MICON	R 0152	88-100-000-010	0E	PLATING-JW, 0.58 SN95	USFD	CX-NAJ500
X	MICON	R 0152	88-100-000-010	0E	PLATING-JW, 0.58 SN95	USFD	CX-NAJ503
X	MICON	R 0152	88-100-000-010	0E	PLATING-JW, 0.58 SN95	EZSFD	CX-NSZ500
X	MICON	R 0153	88-128-821-080		C-RES, 820-1/8W J	LHSFD	CX-NSZ500
X	MICON	R 0153	88-128-821-080	0E	C-RES, 820-1/8W J	USFD	CX-NAJ500
X	MICON	R 0153	88-128-821-080	0E	C-RES, 820-1/8W J	USFD	CX-NAJ503
X	MICON	R 0153	88-128-821-080	0E	C-RES, 820-1/8W J	EZSFD	CX-NSZ500
X	MICON	R 0154	88-128-821-080		C-RES, 820-1/8W J	LHSFD	CX-NSZ500
X	MICON	R 0154	88-128-821-080	0E	C-RES, 820-1/8W J	USFD	CX-NAJ500
X	MICON	R 0154	88-128-821-080	0E	C-RES, 820-1/8W J	EZSFD	CX-NSZ500
X	MICON	R 0155	88-121-332-080		RES, 3.3K-1/8W J	LHSFD	CX-NSZ500
X	MICON	R 0155	88-121-332-080	0E	RES, 3.3K-1/8W J	USFD	CX-NAJ500
X	MICON	R 0155	88-121-332-080	0E	RES, 3.3K-1/8W J	USFD	CX-NAJ503
X	MICON	R 0155	88-121-332-080	0E	RES, 3.3K-1/8W J	EZSFD	CX-NSZ500
X	MICON	R 0156	88-108-332-080		C-RES, U 3.3K-1/16W J	LHSFD	CX-NSZ500
X	MICON	R 0156	88-108-332-080	0E	C-RES, U 3.3K-1/16W J	USFD	CX-NAJ500
X	MICON	R 0156	88-108-332-080	0E	C-RES, U 3.3K-1/16W J	USFD	CX-NAJ503
X	MICON	R 0156	88-108-332-080	0E	C-RES, U 3.3K-1/16W J	EZSFD	CX-NSZ500

PARTS LIST

! = Δ SAFTY PARTS
 C = Components marked

All components used on this model at the production line are shown in this service manual.

However, please note that not all components will be available as spare parts for after-sales service.

Components marked S and O are designated as spare parts for service and will be stocked at the spare parts centers.

Components marked X and R are not designated as spare parts for after sales service, and will not be stocked at the spare parts centers.

K NO. = Only use Japanese.

! C	UNIT NAME	REF NO.	PARTS CODE	K NO.	DESCRIPTION	SUFFIX	MODEL NAME
X	MICON	R 0156	88-108-332-080	0E	C-RES,U 3.3K-1/16W J	EZSFD	CX-NSZ500
X	MICON	R 0201	88-128-102-080		C-RES, 1K-1/8W J	LHSFD	CX-NSZ500
X	MICON	R 0201	88-128-102-080	0E	C-RES, 1K-1/8W J	USFD	CX-NAJ500
X	MICON	R 0201	88-128-102-080	0E	C-RES, 1K-1/8W J	USFD	CX-NAJ503
X	MICON	R 0201	88-128-102-080	0E	C-RES, 1K-1/8W J	EZSFD	CX-NSZ500
X	MICON	R 0202	88-128-102-080		C-RES, 1K-1/8W J	LHSFD	CX-NSZ500
X	MICON	R 0202	88-128-102-080	0E	C-RES, 1K-1/8W J	USFD	CX-NAJ500
X	MICON	R 0202	88-128-102-080	0E	C-RES, 1K-1/8W J	USFD	CX-NAJ503
X	MICON	R 0202	88-128-102-080	0E	C-RES, 1K-1/8W J	EZSFD	CX-NSZ500
X	MICON	R 0203	88-128-102-080		C-RES, 1K-1/8W J	LHSFD	CX-NSZ500
X	MICON	R 0203	88-128-102-080	0E	C-RES, 1K-1/8W J	USFD	CX-NAJ500
X	MICON	R 0203	88-128-102-080	0E	C-RES, 1K-1/8W J	USFD	CX-NAJ503
X	MICON	R 0203	88-128-102-080	0E	C-RES, 1K-1/8W J	EZSFD	CX-NSZ500
X	MICON	R 0206	88-128-102-080		C-RES, 1K-1/8W J	LHSFD	CX-NSZ500
X	MICON	R 0206	88-128-102-080	0E	C-RES, 1K-1/8W J	USFD	CX-NAJ500
X	MICON	R 0206	88-128-102-080	0E	C-RES, 1K-1/8W J	USFD	CX-NAJ503
X	MICON	R 0206	88-128-102-080	0E	C-RES, 1K-1/8W J	EZSFD	CX-NSZ500
X	MICON	R 0208	88-121-102-080	0E	RES, 1K-1/8W J	USFD	CX-NAJ500
X	MICON	R 0208	88-121-102-080	0E	RES, 1K-1/8W J	USFD	CX-NAJ503
X	MICON	R 0208	88-121-102-080	0E	RES, 1K-1/8W J	EZSFD	CX-NSZ500
X	MICON	R 0208	88-121-332-080		RES, 3.3K-1/8W J	LHSFD	CX-NSZ500
X	MICON	R 0301	88-108-104-080		C-RES,U 100K-1/16W J	LHSFD	CX-NSZ500
X	MICON	R 0301	88-108-104-080	0E	C-RES,U 100K-1/16W J	USFD	CX-NAJ500
X	MICON	R 0301	88-108-104-080	0E	C-RES,U 100K-1/16W J	USFD	CX-NAJ503
X	MICON	R 0301	88-108-104-080	0E	C-RES,U 100K-1/16W J	EZSFD	CX-NSZ500
X	MICON	R 0302	88-108-472-080		C-RES,U 4.7K-1/16W J	LHSFD	CX-NSZ500
X	MICON	R 0302	88-108-472-080	0E	C-RES,U 4.7K-1/16W J	USFD	CX-NAJ500
X	MICON	R 0302	88-108-472-080	0E	C-RES,U 4.7K-1/16W J	USFD	CX-NAJ503
X	MICON	R 0302	88-108-472-080	0E	C-RES,U 4.7K-1/16W J	EZSFD	CX-NSZ500
X	MICON	R 0303	88-108-153-080		C-RES,U 15K-1/16W J	LHSFD	CX-NSZ500
X	MICON	R 0303	88-108-153-080	0E	C-RES,U 15K-1/16W J	USFD	CX-NAJ500
X	MICON	R 0303	88-108-153-080	0E	C-RES,U 15K-1/16W J	USFD	CX-NAJ503
X	MICON	R 0303	88-108-153-080	0E	C-RES,U 15K-1/16W J	EZSFD	CX-NSZ500
X	MICON	R 0304	88-108-102-080		C-RES,U 1K-1/16W J	LHSFD	CX-NSZ500
X	MICON	R 0304	88-108-102-080	0E	C-RES,U 1K-1/16W J	USFD	CX-NAJ500
X	MICON	R 0304	88-108-102-080	0E	C-RES,U 1K-1/16W J	USFD	CX-NAJ503
X	MICON	R 0304	88-108-102-080	0E	C-RES,U 1K-1/16W J	EZSFD	CX-NSZ500
X	MICON	R 0306	88-108-471-080		C-RES,U 470-1/16W J	LHSFD	CX-NSZ500
X	MICON	R 0306	88-108-471-080	0E	C-RES,U 470-1/16W J	USFD	CX-NAJ500
X	MICON	R 0306	88-108-471-080	0E	C-RES,U 470-1/16W J	USFD	CX-NAJ503
X	MICON	R 0306	88-108-471-080	0E	C-RES,U 470-1/16W J	EZSFD	CX-NSZ500
X	MICON	R 0321	88-108-103-080		C-RES,U 10K-1/16W J	LHSFD	CX-NSZ500
X	MICON	R 0321	88-108-103-080	0E	C-RES,U 10K-1/16W J	USFD	CX-NAJ500
X	MICON	R 0321	88-108-103-080	0E	C-RES,U 10K-1/16W J	USFD	CX-NAJ503
X	MICON	R 0321	88-108-103-080	0E	C-RES,U 10K-1/16W J	EZSFD	CX-NSZ500
X	MICON	R 0322	88-108-102-080		C-RES,U 1K-1/16W J	LHSFD	CX-NSZ500
X	MICON	R 0322	88-108-102-080	0E	C-RES,U 1K-1/16W J	USFD	CX-NAJ500
X	MICON	R 0322	88-108-102-080	0E	C-RES,U 1K-1/16W J	USFD	CX-NAJ503
X	MICON	R 0322	88-108-102-080	0E	C-RES,U 1K-1/16W J	EZSFD	CX-NSZ500
X	MICON	R 0323	88-108-821-080		C-RES,U 820-1/16W J	LHSFD	CX-NSZ500
X	MICON	R 0323	88-108-821-080	0E	C-RES,U 820-1/16W J	USFD	CX-NAJ500
X	MICON	R 0323	88-108-821-080	0E	C-RES,U 820-1/16W J	USFD	CX-NAJ503
X	MICON	R 0323	88-108-821-080	0E	C-RES,U 820-1/16W J	EZSFD	CX-NSZ500
X	MICON	R 0324	88-108-122-080		C-RES,U 1.2K-1/16W J	LHSFD	CX-NSZ500
X	MICON	R 0324	88-108-122-080	0E	C-RES,U 1.2K-1/16W J	USFD	CX-NAJ500
X	MICON	R 0324	88-108-122-080	0E	C-RES,U 1.2K-1/16W J	USFD	CX-NAJ503
X	MICON	R 0324	88-108-122-080	0E	C-RES,U 1.2K-1/16W J	EZSFD	CX-NSZ500
X	MICON	R 0325	88-108-122-080		C-RES,U 1.2K-1/16W J	LHSFD	CX-NSZ500
X	MICON	R 0325	88-108-122-080	0E	C-RES,U 1.2K-1/16W J	USFD	CX-NAJ500
X	MICON	R 0325	88-108-122-080	0E	C-RES,U 1.2K-1/16W J	USFD	CX-NAJ503
X	MICON	R 0325	88-108-122-080	0E	C-RES,U 1.2K-1/16W J	EZSFD	CX-NSZ500
X	MICON	R 0326	88-108-122-080		C-RES,U 1.2K-1/16W J	LHSFD	CX-NSZ500
X	MICON	R 0326	88-108-122-080	0E	C-RES,U 1.2K-1/16W J	USFD	CX-NAJ500
X	MICON	R 0326	88-108-122-080	0E	C-RES,U 1.2K-1/16W J	USFD	CX-NAJ503
X	MICON	R 0326	88-108-122-080	0E	C-RES,U 1.2K-1/16W J	EZSFD	CX-NSZ500
X	MICON	R 0327	88-108-182-080		C-RES,U 1.8K-1/16W J	LHSFD	CX-NSZ500
X	MICON	R 0327	88-108-182-080	0E	C-RES,U 1.8K-1/16W J	USFD	CX-NAJ500
X	MICON	R 0327	88-108-182-080	0E	C-RES,U 1.8K-1/16W J	USFD	CX-NAJ503
X	MICON	R 0327	88-108-182-080	0E	C-RES,U 1.8K-1/16W J	EZSFD	CX-NSZ500
X	MICON	R 0328	88-108-182-080		C-RES,U 1.8K-1/16W J	LHSFD	CX-NSZ500

PARTS LIST

! = Δ SAFTY PARTS
 C = Components marked

All components used on this model at the production line are shown in this service manual.

However, please note that not all components will be available as spare parts for after-sales service.

Components marked S and O are designated as spare parts for service and will be stocked at the spare parts centers.

Components marked X and R are not designated as spare parts for after sales service, and will not be stocked at the spare parts centers.

K NO. = Only use Japanese.

! C	UNIT NAME	REF NO.	PARTS CODE	K NO.	DESCRIPTION	SUFFIX	MODEL NAME
X	MICON	R 0328	88-108-182-080	0E	C-RES,U 1.8K-1/16W J	USFD	CX-NAJ500
X	MICON	R 0328	88-108-182-080	0E	C-RES,U 1.8K-1/16W J	USFD	CX-NAJ503
X	MICON	R 0328	88-108-182-080	0E	C-RES,U 1.8K-1/16W J	EZSFD	CX-NSZ500
X	MICON	R 0329	88-108-272-080		C-RES,U 2.7K-1/16W J	LHSFD	CX-NSZ500
X	MICON	R 0329	88-108-272-080	0E	C-RES,U 2.7K-1/16W J	USFD	CX-NAJ500
X	MICON	R 0329	88-108-272-080	0E	C-RES,U 2.7K-1/16W J	USFD	CX-NAJ503
X	MICON	R 0329	88-108-272-080	0E	C-RES,U 2.7K-1/16W J	EZSFD	CX-NSZ500
X	MICON	R 0330	88-108-332-080		C-RES,U 3.3K-1/16W J	LHSFD	CX-NSZ500
X	MICON	R 0330	88-108-332-080	0E	C-RES,U 3.3K-1/16W J	USFD	CX-NAJ500
X	MICON	R 0330	88-108-332-080	0E	C-RES,U 3.3K-1/16W J	USFD	CX-NAJ503
X	MICON	R 0330	88-108-332-080	0E	C-RES,U 3.3K-1/16W J	EZSFD	CX-NSZ500
X	MICON	R 0331	88-108-472-080		C-RES,U 4.7K-1/16W J	LHSFD	CX-NSZ500
X	MICON	R 0331	88-108-472-080	0E	C-RES,U 4.7K-1/16W J	USFD	CX-NAJ500
X	MICON	R 0331	88-108-472-080	0E	C-RES,U 4.7K-1/16W J	USFD	CX-NAJ503
X	MICON	R 0331	88-108-472-080	0E	C-RES,U 4.7K-1/16W J	EZSFD	CX-NSZ500
X	MICON	R 0332	88-108-682-080		C-RES,U 6.8K-1/16W J	LHSFD	CX-NSZ500
X	MICON	R 0332	88-108-682-080	0E	C-RES,U 6.8K-1/16W J	USFD	CX-NAJ500
X	MICON	R 0332	88-108-682-080	0E	C-RES,U 6.8K-1/16W J	USFD	CX-NAJ503
X	MICON	R 0332	88-108-682-080	0E	C-RES,U 6.8K-1/16W J	EZSFD	CX-NSZ500
X	MICON	R 0333	88-108-103-080		C-RES,U 10K-1/16W J	LHSFD	CX-NSZ500
X	MICON	R 0333	88-108-103-080	0E	C-RES,U 10K-1/16W J	USFD	CX-NAJ500
X	MICON	R 0333	88-108-103-080	0E	C-RES,U 10K-1/16W J	USFD	CX-NAJ503
X	MICON	R 0333	88-108-103-080	0E	C-RES,U 10K-1/16W J	EZSFD	CX-NSZ500
X	MICON	R 0334	88-108-183-080		C-RES,U 18K-1/16W J	LHSFD	CX-NSZ500
X	MICON	R 0334	88-108-183-080	0E	C-RES,U 18K-1/16W J	USFD	CX-NAJ500
X	MICON	R 0334	88-108-183-080	0E	C-RES,U 18K-1/16W J	USFD	CX-NAJ503
X	MICON	R 0334	88-108-183-080	0E	C-RES,U 18K-1/16W J	EZSFD	CX-NSZ500
X	MICON	R 0341	88-108-103-080		C-RES,U 10K-1/16W J	LHSFD	CX-NSZ500
X	MICON	R 0341	88-108-103-080	0E	C-RES,U 10K-1/16W J	USFD	CX-NAJ500
X	MICON	R 0341	88-108-103-080	0E	C-RES,U 10K-1/16W J	USFD	CX-NAJ503
X	MICON	R 0341	88-108-103-080	0E	C-RES,U 10K-1/16W J	EZSFD	CX-NSZ500
X	MICON	R 0342	88-108-102-080		C-RES,U 1K-1/16W J	LHSFD	CX-NSZ500
X	MICON	R 0342	88-108-102-080	0E	C-RES,U 1K-1/16W J	USFD	CX-NAJ500
X	MICON	R 0342	88-108-102-080	0E	C-RES,U 1K-1/16W J	USFD	CX-NAJ503
X	MICON	R 0342	88-108-102-080	0E	C-RES,U 1K-1/16W J	EZSFD	CX-NSZ500
X	MICON	R 0343	88-121-821-080		RES, 820-1/8W J	LHSFD	CX-NSZ500
X	MICON	R 0343	88-121-821-080	0E	RES, 820-1/8W J	USFD	CX-NAJ500
X	MICON	R 0343	88-121-821-080	0E	RES, 820-1/8W J	USFD	CX-NAJ503
X	MICON	R 0343	88-121-821-080	0E	RES, 820-1/8W J	EZSFD	CX-NSZ500
X	MICON	R 0344	88-108-102-080		C-RES,U 1K-1/16W J	LHSFD	CX-NSZ500
X	MICON	R 0344	88-108-102-080	0E	C-RES,U 1K-1/16W J	USFD	CX-NAJ500
X	MICON	R 0344	88-108-102-080	0E	C-RES,U 1K-1/16W J	USFD	CX-NAJ503
X	MICON	R 0344	88-108-102-080	0E	C-RES,U 1K-1/16W J	EZSFD	CX-NSZ500
X	MICON	R 0345	88-108-122-080		C-RES,U 1.2K-1/16W J	LHSFD	CX-NSZ500
X	MICON	R 0345	88-108-122-080	0E	C-RES,U 1.2K-1/16W J	USFD	CX-NAJ500
X	MICON	R 0345	88-108-122-080	0E	C-RES,U 1.2K-1/16W J	USFD	CX-NAJ503
X	MICON	R 0345	88-108-122-080	0E	C-RES,U 1.2K-1/16W J	EZSFD	CX-NSZ500
X	MICON	R 0346	88-121-122-080		RES, 1.2K-1/8W J	LHSFD	CX-NSZ500
X	MICON	R 0346	88-121-122-080	0E	RES, 1.2K-1/8W J	USFD	CX-NAJ500
X	MICON	R 0346	88-121-122-080	0E	RES, 1.2K-1/8W J	USFD	CX-NAJ503
X	MICON	R 0346	88-121-122-080	0E	RES, 1.2K-1/8W J	EZSFD	CX-NSZ500
X	MICON	R 0347	88-108-182-080		C-RES,U 1.8K-1/16W J	LHSFD	CX-NSZ500
X	MICON	R 0347	88-108-182-080	0E	C-RES,U 1.8K-1/16W J	USFD	CX-NAJ500
X	MICON	R 0347	88-108-182-080	0E	C-RES,U 1.8K-1/16W J	USFD	CX-NAJ503
X	MICON	R 0347	88-108-182-080	0E	C-RES,U 1.8K-1/16W J	EZSFD	CX-NSZ500
X	MICON	R 0348	88-108-182-080		C-RES,U 1.8K-1/16W J	LHSFD	CX-NSZ500
X	MICON	R 0348	88-108-182-080	0E	C-RES,U 1.8K-1/16W J	USFD	CX-NAJ500
X	MICON	R 0348	88-108-182-080	0E	C-RES,U 1.8K-1/16W J	USFD	CX-NAJ503
X	MICON	R 0348	88-108-182-080	0E	C-RES,U 1.8K-1/16W J	EZSFD	CX-NSZ500
X	MICON	R 0349	88-121-272-080		RES, 2.7K-1/8W J	LHSFD	CX-NSZ500
X	MICON	R 0349	88-121-272-080	0E	RES, 2.7K-1/8W J	USFD	CX-NAJ500
X	MICON	R 0349	88-121-272-080	0E	RES, 2.7K-1/8W J	USFD	CX-NAJ503
X	MICON	R 0349	88-121-272-080	0E	RES, 2.7K-1/8W J	EZSFD	CX-NSZ500
X	MICON	R 0361	88-108-103-080		C-RES,U 10K-1/16W J	LHSFD	CX-NSZ500
X	MICON	R 0361	88-108-103-080	0E	C-RES,U 10K-1/16W J	USFD	CX-NAJ500
X	MICON	R 0361	88-108-103-080	0E	C-RES,U 10K-1/16W J	USFD	CX-NAJ503
X	MICON	R 0361	88-108-103-080	0E	C-RES,U 10K-1/16W J	EZSFD	CX-NSZ500
X	MICON	R 0362	88-108-103-080		C-RES,U 10K-1/16W J	LHSFD	CX-NSZ500
X	MICON	R 0362	88-108-103-080	0E	C-RES,U 10K-1/16W J	USFD	CX-NAJ500
X	MICON	R 0362	88-108-103-080	0E	C-RES,U 10K-1/16W J	USFD	CX-NAJ503
X	MICON	R 0362	88-108-103-080	0E	C-RES,U 10K-1/16W J	EZSFD	CX-NSZ500

PARTS LIST

! = Δ SAFTY PARTS
 C = Components marked

All components used on this model at the production line are shown in this service manual.

However, please note that not all components will be available as spare parts for after-sales service.

Components marked S and O are designated as spare parts for service and will be stocked at the spare parts centers.

Components marked X and R are not designated as spare parts for after sales service, and will not be stocked at the spare parts centers.

K NO. = Only use Japanese.

! C	UNIT NAME	REF NO.	PARTS CODE	K NO.	DESCRIPTION	SUFFIX	MODEL NAME
X	MICON	R 0362	88-108-103-080	0E	C-RES,U 10K-1/16W J	EZSFD	CX-NSZ500
X	MICON	R 0363	88-108-100-080		C-RES,U 10-1/16W J	LHSFD	CX-NSZ500
X	MICON	R 0363	88-108-100-080	0E	C-RES,U 10-1/16W J	USFD	CX-NAJ500
X	MICON	R 0363	88-108-100-080	0E	C-RES,U 10-1/16W J	USFD	CX-NAJ503
X	MICON	R 0363	88-108-100-080	0E	C-RES,U 10-1/16W J	EZSFD	CX-NSZ500
X	MICON	R 0364	88-108-100-080		C-RES,U 10-1/16W J	LHSFD	CX-NSZ500
X	MICON	R 0364	88-108-100-080	0E	C-RES,U 10-1/16W J	USFD	CX-NAJ500
X	MICON	R 0364	88-108-100-080	0E	C-RES,U 10-1/16W J	USFD	CX-NAJ503
X	MICON	R 0364	88-108-100-080	0E	C-RES,U 10-1/16W J	EZSFD	CX-NSZ500
X	MICON	R 0371	88-108-103-080		C-RES,U 10K-1/16W J	LHSFD	CX-NSZ500
X	MICON	R 0371	88-108-103-080	0E	C-RES,U 10K-1/16W J	USFD	CX-NAJ500
X	MICON	R 0371	88-108-103-080	0E	C-RES,U 10K-1/16W J	USFD	CX-NAJ503
X	MICON	R 0371	88-108-103-080	0E	C-RES,U 10K-1/16W J	EZSFD	CX-NSZ500
X	MICON	R 0372	88-108-103-080		C-RES,U 10K-1/16W J	LHSFD	CX-NSZ500
X	MICON	R 0372	88-108-103-080	0E	C-RES,U 10K-1/16W J	USFD	CX-NAJ500
X	MICON	R 0372	88-108-103-080	0E	C-RES,U 10K-1/16W J	USFD	CX-NAJ503
X	MICON	R 0372	88-108-103-080	0E	C-RES,U 10K-1/16W J	EZSFD	CX-NSZ500
X	MICON	R 0373	88-108-100-080		C-RES,U 10-1/16W J	LHSFD	CX-NSZ500
X	MICON	R 0373	88-108-100-080	0E	C-RES,U 10-1/16W J	USFD	CX-NAJ500
X	MICON	R 0373	88-108-100-080	0E	C-RES,U 10-1/16W J	USFD	CX-NAJ503
X	MICON	R 0373	88-108-100-080	0E	C-RES,U 10-1/16W J	EZSFD	CX-NSZ500
X	MICON	R 0374	88-108-100-080	0E	C-RES,U 10-1/16W J	USFD	CX-NAJ500
X	MICON	R 0374	88-108-100-080	0E	C-RES,U 10-1/16W J	USFD	CX-NAJ503
X	MICON	R 0374	88-108-100-080	0E	C-RES,U 10-1/16W J	EZSFD	CX-NSZ500
X	MICON	R 0374	88-108-100-080	0E	C-RES,U 10-1/16W J	EZSFD	CX-NSZ500
X	MICON	R 0601	88-108-103-080		C-RES,U 10K-1/16W J	LHSFD	CX-NSZ500
X	MICON	R 0601	88-108-103-080	0E	C-RES,U 10K-1/16W J	USFD	CX-NAJ500
X	MICON	R 0601	88-108-103-080	0E	C-RES,U 10K-1/16W J	USFD	CX-NAJ503
X	MICON	R 0601	88-108-103-080	0E	C-RES,U 10K-1/16W J	EZSFD	CX-NSZ500
X	MICON	R 0602	88-108-222-080		C-RES,U 2.2K-1/16W J	LHSFD	CX-NSZ500
X	MICON	R 0602	88-108-222-080	0E	C-RES,U 2.2K-1/16W J	USFD	CX-NAJ500
X	MICON	R 0602	88-108-222-080	0E	C-RES,U 2.2K-1/16W J	USFD	CX-NAJ503
X	MICON	R 0602	88-108-222-080	0E	C-RES,U 2.2K-1/16W J	EZSFD	CX-NSZ500
X	MICON	R 0603	88-108-103-080		C-RES,U 10K-1/16W J	LHSFD	CX-NSZ500
X	MICON	R 0603	88-108-103-080	0E	C-RES,U 10K-1/16W J	USFD	CX-NAJ500
X	MICON	R 0603	88-108-103-080	0E	C-RES,U 10K-1/16W J	USFD	CX-NAJ503
X	MICON	R 0603	88-108-103-080	0E	C-RES,U 10K-1/16W J	EZSFD	CX-NSZ500
X	MICON	R 0604	88-108-222-080		C-RES,U 2.2K-1/16W J	LHSFD	CX-NSZ500
X	MICON	R 0604	88-108-222-080	0E	C-RES,U 2.2K-1/16W J	USFD	CX-NAJ500
X	MICON	R 0604	88-108-222-080	0E	C-RES,U 2.2K-1/16W J	USFD	CX-NAJ503
X	MICON	R 0604	88-108-222-080	0E	C-RES,U 2.2K-1/16W J	EZSFD	CX-NSZ500
X	MICON	R 0605	88-108-103-080		C-RES,U 10K-1/16W J	LHSFD	CX-NSZ500
X	MICON	R 0605	88-108-103-080	0E	C-RES,U 10K-1/16W J	USFD	CX-NAJ500
X	MICON	R 0605	88-108-103-080	0E	C-RES,U 10K-1/16W J	USFD	CX-NAJ503
X	MICON	R 0605	88-108-103-080	0E	C-RES,U 10K-1/16W J	EZSFD	CX-NSZ500
X	MICON	R 0606	88-108-102-080		C-RES,U 1K-1/16W J	LHSFD	CX-NSZ500
X	MICON	R 0606	88-108-102-080	0E	C-RES,U 1K-1/16W J	USFD	CX-NAJ500
X	MICON	R 0606	88-108-102-080	0E	C-RES,U 1K-1/16W J	USFD	CX-NAJ503
X	MICON	R 0606	88-108-102-080	0E	C-RES,U 1K-1/16W J	EZSFD	CX-NSZ500
X	MICON	R 0607	88-108-000-080		C-JUMPER,U	LHSFD	CX-NSZ500
X	MICON	R 0607	88-108-000-080	0E	C-JUMPER,U	USFD	CX-NAJ500
X	MICON	R 0607	88-108-000-080	0E	C-JUMPER,U	USFD	CX-NAJ503
X	MICON	R 0607	88-108-000-080	0E	C-JUMPER,U	EZSFD	CX-NSZ500
X	MICON	R 0611	88-108-473-080		C-RES,U 47K-1/16W J	LHSFD	CX-NSZ500
X	MICON	R 0611	88-108-473-080	0E	C-RES,U 47K-1/16W J	USFD	CX-NAJ500
X	MICON	R 0611	88-108-473-080	0E	C-RES,U 47K-1/16W J	USFD	CX-NAJ503
X	MICON	R 0611	88-108-473-080	0E	C-RES,U 47K-1/16W J	EZSFD	CX-NSZ500
X	MICON	R 0612	88-108-473-080		C-RES,U 47K-1/16W J	LHSFD	CX-NSZ500
X	MICON	R 0612	88-108-473-080	0E	C-RES,U 47K-1/16W J	USFD	CX-NAJ500
X	MICON	R 0612	88-108-473-080	0E	C-RES,U 47K-1/16W J	USFD	CX-NAJ503
X	MICON	R 0612	88-108-473-080	0E	C-RES,U 47K-1/16W J	EZSFD	CX-NSZ500
X	MICON	R 0613	88-108-473-080		C-RES,U 47K-1/16W J	LHSFD	CX-NSZ500
X	MICON	R 0613	88-108-473-080	0E	C-RES,U 47K-1/16W J	USFD	CX-NAJ500
X	MICON	R 0613	88-108-473-080	0E	C-RES,U 47K-1/16W J	USFD	CX-NAJ503
X	MICON	R 0613	88-108-473-080	0E	C-RES,U 47K-1/16W J	EZSFD	CX-NSZ500
X	MICON	R 0614	88-108-473-080		C-RES,U 47K-1/16W J	LHSFD	CX-NSZ500
X	MICON	R 0614	88-108-473-080	0E	C-RES,U 47K-1/16W J	USFD	CX-NAJ500
X	MICON	R 0614	88-108-473-080	0E	C-RES,U 47K-1/16W J	USFD	CX-NAJ503
X	MICON	R 0614	88-108-473-080	0E	C-RES,U 47K-1/16W J	EZSFD	CX-NSZ500
X	MICON	R 0615	88-108-473-080		C-RES,U 47K-1/16W J	LHSFD	CX-NSZ500

PARTS LIST

! = Δ SAFTY PARTS
 C = Components marked

All components used on this model at the production line are shown in this service manual.

However, please note that not all components will be available as spare parts for after-sales service.

Components marked S and O are designated as spare parts for service and will be stocked at the spare parts centers.

Components marked X and R are not designated as spare parts for after sales service, and will not be stocked at the spare parts centers.

K NO. = Only use Japanese.

! C	UNIT NAME	REF NO.	PARTS CODE	K NO.	DESCRIPTION	SUFFIX	MODEL NAME
X	MICON	R 0615	88-108-473-080	0E	C-RES,U 47K-1/16W J	USFD	CX-NAJ500
X	MICON	R 0615	88-108-473-080	0E	C-RES,U 47K-1/16W J	USFD	CX-NAJ503
X	MICON	R 0615	88-108-473-080	0E	C-RES,U 47K-1/16W J	EZSFD	CX-NSZ500
X	MICON	R 0616	88-108-473-080		C-RES,U 47K-1/16W J	LHSFD	CX-NSZ500
X	MICON	R 0616	88-108-473-080	0E	C-RES,U 47K-1/16W J	USFD	CX-NAJ500
X	MICON	R 0616	88-108-473-080	0E	C-RES,U 47K-1/16W J	USFD	CX-NAJ503
X	MICON	R 0616	88-108-473-080	0E	C-RES,U 47K-1/16W J	EZSFD	CX-NSZ500
X	MICON	R 0651	88-128-152-080		C-RES, 1.5K-1/8W J	LHSFD	CX-NSZ500
X	MICON	R 0651	88-128-152-080	0E	C-RES, 1.5K-1/8W J	USFD	CX-NAJ500
X	MICON	R 0651	88-128-152-080	0E	C-RES, 1.5K-1/8W J	USFD	CX-NAJ503
X	MICON	R 0651	88-128-152-080	0E	C-RES, 1.5K-1/8W J	EZSFD	CX-NSZ500
X	MICON	R 0652	88-108-152-080		C-RES,U 1.5K-1/16W J	LHSFD	CX-NSZ500
X	MICON	R 0652	88-108-152-080	0E	C-RES,U 1.5K-1/16W J	USFD	CX-NAJ500
X	MICON	R 0652	88-108-152-080	0E	C-RES,U 1.5K-1/16W J	USFD	CX-NAJ503
X	MICON	R 0652	88-108-152-080	0E	C-RES,U 1.5K-1/16W J	EZSFD	CX-NSZ500
X	MICON	R 0653	88-108-152-080		C-RES,U 1.5K-1/16W J	LHSFD	CX-NSZ500
X	MICON	R 0653	88-108-152-080	0E	C-RES,U 1.5K-1/16W J	USFD	CX-NAJ500
X	MICON	R 0653	88-108-152-080	0E	C-RES,U 1.5K-1/16W J	EZSFD	CX-NSZ500
X	MICON	R 0654	88-108-152-080		C-RES,U 1.5K-1/16W J	LHSFD	CX-NSZ500
X	MICON	R 0654	88-108-152-080	0E	C-RES,U 1.5K-1/16W J	USFD	CX-NAJ500
X	MICON	R 0654	88-108-152-080	0E	C-RES,U 1.5K-1/16W J	EZSFD	CX-NSZ500
X	MICON	R 0655	88-108-152-080		C-RES,U 1.5K-1/16W J	LHSFD	CX-NSZ500
X	MICON	R 0655	88-108-152-080	0E	C-RES,U 1.5K-1/16W J	USFD	CX-NAJ500
X	MICON	R 0655	88-108-152-080	0E	C-RES,U 1.5K-1/16W J	USFD	CX-NAJ503
X	MICON	R 0655	88-108-152-080	0E	C-RES,U 1.5K-1/16W J	EZSFD	CX-NSZ500
X	MICON	R 0656	88-108-152-080		C-RES,U 1.5K-1/16W J	LHSFD	CX-NSZ500
X	MICON	R 0656	88-108-152-080	0E	C-RES,U 1.5K-1/16W J	USFD	CX-NAJ500
X	MICON	R 0656	88-108-152-080	0E	C-RES,U 1.5K-1/16W J	USFD	CX-NAJ503
X	MICON	R 0656	88-108-152-080	0E	C-RES,U 1.5K-1/16W J	EZSFD	CX-NSZ500
X	MICON	R 0657	88-108-152-080		C-RES,U 1.5K-1/16W J	LHSFD	CX-NSZ500
X	MICON	R 0657	88-108-152-080	0E	C-RES,U 1.5K-1/16W J	USFD	CX-NAJ500
X	MICON	R 0657	88-108-152-080	0E	C-RES,U 1.5K-1/16W J	USFD	CX-NAJ503
X	MICON	R 0657	88-108-152-080	0E	C-RES,U 1.5K-1/16W J	EZSFD	CX-NSZ500
X	MICON	R 0704	88-128-102-080		C-RES, 1K-1/8W J	LHSFD	CX-NSZ500
X	MICON	R 0704	88-128-102-080	0E	C-RES, 1K-1/8W J	USFD	CX-NAJ500
X	MICON	R 0704	88-128-102-080	0E	C-RES, 1K-1/8W J	USFD	CX-NAJ503
X	MICON	R 0704	88-128-102-080	0E	C-RES, 1K-1/8W J	EZSFD	CX-NSZ500
X	MICON	R 0705	88-108-102-080		C-RES,U 1K-1/16W J	LHSFD	CX-NSZ500
X	MICON	R 0705	88-108-102-080	0E	C-RES,U 1K-1/16W J	USFD	CX-NAJ500
X	MICON	R 0705	88-108-102-080	0E	C-RES,U 1K-1/16W J	USFD	CX-NAJ503
X	MICON	R 0705	88-108-102-080	0E	C-RES,U 1K-1/16W J	EZSFD	CX-NSZ500
X	MICON	R 0706	88-108-102-080		C-RES,U 1K-1/16W J	LHSFD	CX-NSZ500
X	MICON	R 0706	88-108-102-080	0E	C-RES,U 1K-1/16W J	USFD	CX-NAJ500
X	MICON	R 0706	88-108-102-080	0E	C-RES,U 1K-1/16W J	USFD	CX-NAJ503
X	MICON	R 0706	88-108-102-080	0E	C-RES,U 1K-1/16W J	EZSFD	CX-NSZ500
X	MICON	R 0707	88-108-102-080		C-RES,U 1K-1/16W J	LHSFD	CX-NSZ500
X	MICON	R 0707	88-108-102-080	0E	C-RES,U 1K-1/16W J	USFD	CX-NAJ500
X	MICON	R 0707	88-108-102-080	0E	C-RES,U 1K-1/16W J	USFD	CX-NAJ503
X	MICON	R 0707	88-108-102-080	0E	C-RES,U 1K-1/16W J	EZSFD	CX-NSZ500
X	MICON	R 0708	88-108-102-080		C-RES,U 1K-1/16W J	LHSFD	CX-NSZ500
X	MICON	R 0708	88-108-102-080	0E	C-RES,U 1K-1/16W J	USFD	CX-NAJ500
X	MICON	R 0708	88-108-102-080	0E	C-RES,U 1K-1/16W J	USFD	CX-NAJ503
X	MICON	R 0708	88-108-102-080	0E	C-RES,U 1K-1/16W J	EZSFD	CX-NSZ500
X	MICON	R 0709	88-108-101-080		C-RES,U 100-1/16W J	LHSFD	CX-NSZ500
X	MICON	R 0709	88-108-101-080	0E	C-RES,U 100-1/16W J	USFD	CX-NAJ500
X	MICON	R 0709	88-108-101-080	0E	C-RES,U 100-1/16W J	USFD	CX-NAJ503
X	MICON	R 0709	88-108-101-080	0E	C-RES,U 100-1/16W J	EZSFD	CX-NSZ500
X	MICON	R 0710	88-108-101-080		C-RES,U 100-1/16W J	LHSFD	CX-NSZ500
X	MICON	R 0710	88-108-101-080	0E	C-RES,U 100-1/16W J	USFD	CX-NAJ500
X	MICON	R 0710	88-108-101-080	0E	C-RES,U 100-1/16W J	USFD	CX-NAJ503
X	MICON	R 0710	88-108-101-080	0E	C-RES,U 100-1/16W J	EZSFD	CX-NSZ500
X	MICON	R 0711	88-108-101-080		C-RES,U 100-1/16W J	LHSFD	CX-NSZ500
X	MICON	R 0711	88-108-101-080	0E	C-RES,U 100-1/16W J	USFD	CX-NAJ500
X	MICON	R 0711	88-108-101-080	0E	C-RES,U 100-1/16W J	USFD	CX-NAJ503
X	MICON	R 0711	88-108-101-080	0E	C-RES,U 100-1/16W J	EZSFD	CX-NSZ500
X	MICON	R 0712	88-108-101-080		C-RES,U 100-1/16W J	LHSFD	CX-NSZ500
X	MICON	R 0712	88-108-101-080	0E	C-RES,U 100-1/16W J	USFD	CX-NAJ500
X	MICON	R 0712	88-108-101-080	0E	C-RES,U 100-1/16W J	USFD	CX-NAJ503
X	MICON	R 0712	88-108-101-080	0E	C-RES,U 100-1/16W J	EZSFD	CX-NSZ500

PARTS LIST

! = Δ SAFTY PARTS
 C = Components marked

All components used on this model at the production line are shown in this service manual.

However, please note that not all components will be available as spare parts for after-sales service.

Components marked S and O are designated as spare parts for service and will be stocked at the spare parts centers.

Components marked X and R are not designated as spare parts for after sales service, and will not be stocked at the spare parts centers.

K NO. = Only use Japanese.

! C	UNIT NAME	REF NO.	PARTS CODE	K NO.	DESCRIPTION	SUFFIX	MODEL NAME
X	MICON	R 0712	88-108-101-080	0E	C-RES,U 100-1/16W J	EZSFD	CX-NSZ500
X	MICON	R 0715	88-108-101-080		C-RES,U 100-1/16W J	LHSFD	CX-NSZ500
X	MICON	R 0715	88-108-101-080	0E	C-RES,U 100-1/16W J	USFD	CX-NAJ500
X	MICON	R 0715	88-108-101-080	0E	C-RES,U 100-1/16W J	USFD	CX-NAJ503
X	MICON	R 0715	88-108-101-080	0E	C-RES,U 100-1/16W J	EZSFD	CX-NSZ500
X	MICON	R 0716	88-108-472-080		C-RES,U 4.7K-1/16W J	LHSFD	CX-NSZ500
X	MICON	R 0716	88-108-472-080	0E	C-RES,U 4.7K-1/16W J	USFD	CX-NAJ500
X	MICON	R 0716	88-108-472-080	0E	C-RES,U 4.7K-1/16W J	USFD	CX-NAJ503
X	MICON	R 0716	88-108-472-080	0E	C-RES,U 4.7K-1/16W J	EZSFD	CX-NSZ500
X	MICON	R 0719	88-121-100-080		RES,10-1/8W J	LHSFD	CX-NSZ500
X	MICON	R 0719	88-121-100-080	0E	RES,10-1/8W J	USFD	CX-NAJ500
X	MICON	R 0719	88-121-100-080	0E	RES,10-1/8W J	USFD	CX-NAJ503
X	MICON	R 0719	88-121-100-080	0E	RES,10-1/8W J	EZSFD	CX-NSZ500
X	MICON	R 0721	88-108-101-080		C-RES,U 100-1/16W J	LHSFD	CX-NSZ500
X	MICON	R 0721	88-108-101-080	0E	C-RES,U 100-1/16W J	USFD	CX-NAJ500
X	MICON	R 0721	88-108-101-080		C-RES,U 100-1/16W J	USFD	CX-NAJ503
X	MICON	R 0721	88-108-101-080	0E	C-RES,U 100-1/16W J	EZSFD	CX-NSZ500
X	MICON	R 0730	88-121-102-080		RES,1K-1/8W J	LHSFD	CX-NSZ500
X	MICON	R 0730	88-121-102-080	0E	RES,1K-1/8W J	USFD	CX-NAJ500
X	MICON	R 0730	88-121-102-080	0E	RES,1K-1/8W J	USFD	CX-NAJ503
X	MICON	R 0730	88-121-102-080	0E	RES,1K-1/8W J	EZSFD	CX-NSZ500
X	MICON	R 0732	88-128-101-080		C-RES, 100-1/8W J	LHSFD	CX-NSZ500
X	MICON	R 0732	88-128-101-080	0E	C-RES, 100-1/8W J	USFD	CX-NAJ500
X	MICON	R 0732	88-128-101-080	0E	C-RES, 100-1/8W J	USFD	CX-NAJ503
X	MICON	R 0732	88-128-101-080	0E	C-RES, 100-1/8W J	EZSFD	CX-NSZ500
X	MICON	R 0733	88-108-101-080		C-RES,U 100-1/16W J	LHSFD	CX-NSZ500
X	MICON	R 0733	88-108-101-080	0E	C-RES,U 100-1/16W J	USFD	CX-NAJ500
X	MICON	R 0733	88-108-101-080	0E	C-RES,U 100-1/16W J	USFD	CX-NAJ503
X	MICON	R 0733	88-108-101-080	0E	C-RES,U 100-1/16W J	EZSFD	CX-NSZ500
X	MICON	R 0734	88-108-102-080		C-RES,U 1K-1/16W J	LHSFD	CX-NSZ500
X	MICON	R 0734	88-108-102-080	0E	C-RES,U 1K-1/16W J	USFD	CX-NAJ500
X	MICON	R 0734	88-108-102-080	0E	C-RES,U 1K-1/16W J	USFD	CX-NAJ503
X	MICON	R 0734	88-108-102-080	0E	C-RES,U 1K-1/16W J	EZSFD	CX-NSZ500
X	MICON	R 0735	88-108-102-080		C-RES,U 1K-1/16W J	LHSFD	CX-NSZ500
X	MICON	R 0735	88-108-102-080	0E	C-RES,U 1K-1/16W J	USFD	CX-NAJ500
X	MICON	R 0735	88-108-102-080	0E	C-RES,U 1K-1/16W J	USFD	CX-NAJ503
X	MICON	R 0735	88-108-102-080	0E	C-RES,U 1K-1/16W J	EZSFD	CX-NSZ500
X	MICON	R 0740	88-108-102-080		C-RES,U 1K-1/16W J	LHSFD	CX-NSZ500
X	MICON	R 0740	88-108-102-080	0E	C-RES,U 1K-1/16W J	USFD	CX-NAJ500
X	MICON	R 0740	88-108-102-080	0E	C-RES,U 1K-1/16W J	USFD	CX-NAJ503
X	MICON	R 0740	88-108-102-080	0E	C-RES,U 1K-1/16W J	EZSFD	CX-NSZ500
X	MICON	R 0741	88-108-101-080		C-RES,U 100-1/16W J	LHSFD	CX-NSZ500
X	MICON	R 0741	88-108-101-080	0E	C-RES,U 100-1/16W J	USFD	CX-NAJ500
X	MICON	R 0741	88-108-101-080	0E	C-RES,U 100-1/16W J	USFD	CX-NAJ503
X	MICON	R 0741	88-108-101-080	0E	C-RES,U 100-1/16W J	EZSFD	CX-NSZ500
X	MICON	R 0742	88-108-102-080		C-RES,U 1K-1/16W J	LHSFD	CX-NSZ500
X	MICON	R 0742	88-108-102-080	0E	C-RES,U 1K-1/16W J	USFD	CX-NAJ500
X	MICON	R 0742	88-108-102-080	0E	C-RES,U 1K-1/16W J	USFD	CX-NAJ503
X	MICON	R 0742	88-108-102-080	0E	C-RES,U 1K-1/16W J	EZSFD	CX-NSZ500
X	MICON	R 0743	88-128-474-080		C-RES, 470K-1/8W J	LHSFD	CX-NSZ500
X	MICON	R 0743	88-128-474-080	0E	C-RES, 470K-1/8W J	USFD	CX-NAJ500
X	MICON	R 0743	88-128-474-080	0E	C-RES, 470K-1/8W J	USFD	CX-NAJ503
X	MICON	R 0743	88-128-474-080	0E	C-RES, 470K-1/8W J	EZSFD	CX-NSZ500
X	MICON	R 0744	88-108-823-080		C-RES,U 82K-1/16W J	LHSFD	CX-NSZ500
X	MICON	R 0744	88-108-823-080	0E	C-RES,U 82K-1/16W J	USFD	CX-NAJ500
X	MICON	R 0744	88-108-823-080	0E	C-RES,U 82K-1/16W J	USFD	CX-NAJ503
X	MICON	R 0744	88-108-823-080	0E	C-RES,U 82K-1/16W J	EZSFD	CX-NSZ500
X	MICON	R 0745	88-108-104-080		C-RES,U 100K-1/16W J	LHSFD	CX-NSZ500
X	MICON	R 0745	88-108-104-080	0E	C-RES,U 100K-1/16W J	USFD	CX-NAJ500
X	MICON	R 0745	88-108-104-080	0E	C-RES,U 100K-1/16W J	USFD	CX-NAJ503
X	MICON	R 0745	88-108-104-080	0E	C-RES,U 100K-1/16W J	EZSFD	CX-NSZ500
X	MICON	R 0749	88-108-474-080		C-RES,U 470K-1/16W J	LHSFD	CX-NSZ500
X	MICON	R 0749	88-108-474-080	0E	C-RES,U 470K-1/16W J	USFD	CX-NAJ500
X	MICON	R 0749	88-108-474-080	0E	C-RES,U 470K-1/16W J	USFD	CX-NAJ503
X	MICON	R 0749	88-108-474-080	0E	C-RES,U 470K-1/16W J	EZSFD	CX-NSZ500
X	MICON	R 0803	88-108-102-080		C-RES,U 1K-1/16W J	LHSFD	CX-NSZ500
X	MICON	R 0803	88-108-102-080	0E	C-RES,U 1K-1/16W J	USFD	CX-NAJ500
X	MICON	R 0803	88-108-102-080	0E	C-RES,U 1K-1/16W J	USFD	CX-NAJ503
X	MICON	R 0803	88-108-102-080	0E	C-RES,U 1K-1/16W J	EZSFD	CX-NSZ500
X	MICON	R 0804	88-108-224-080		C-RES,U 220K-1/16W J	LHSFD	CX-NSZ500

PARTS LIST

! = SAFETY PARTS
 C = Components marked

All components used on this model at the production line are shown in this service manual.

However, please note that not all components will be available as spare parts for after-sales service.

Components marked S and O are designated as spare parts for service and will be stocked at the spare parts centers.

Components marked X and R are not designated as spare parts for after sales service, and will not be stocked at the spare parts centers.

K NO. = Only use Japanese.

! C	UNIT NAME	REF NO.	PARTS CODE	K NO.	DESCRIPTION	SUFFIX	MODEL NAME
X	MICON	R 0804	88-108-224-080	0E	C-RES,U 220K-1/16W J	USFD	CX-NAJ500
X	MICON	R 0804	88-108-224-080	0E	C-RES,U 220K-1/16W J	USFD	CX-NAJ503
X	MICON	R 0804	88-108-224-080	0E	C-RES,U 220K-1/16W J	EZSFD	CX-NSZ500
X	MICON	R 0805	88-108-273-080		C-RES,U 27K-1/16W J	LHSFD	CX-NSZ500
X	MICON	R 0805	88-108-273-080	0E	C-RES,U 27K-1/16W J	USFD	CX-NAJ500
X	MICON	R 0805	88-108-273-080	0E	C-RES,U 27K-1/16W J	USFD	CX-NAJ503
X	MICON	R 0805	88-108-273-080	0E	C-RES,U 27K-1/16W J	EZSFD	CX-NSZ500
X	MICON	R 0806	88-108-562-080		C-RES,U 5.6K-1/16W J	LHSFD	CX-NSZ500
X	MICON	R 0806	88-108-562-080	0E	C-RES,U 5.6K-1/16W J	USFD	CX-NAJ500
X	MICON	R 0806	88-108-562-080	0E	C-RES,U 5.6K-1/16W J	USFD	CX-NAJ503
X	MICON	R 0806	88-108-562-080	0E	C-RES,U 5.6K-1/16W J	EZSFD	CX-NSZ500
X	MICON	R 0807	88-108-000-080		C-JUMPER,U	LHSFD	CX-NSZ500
X	MICON	R 0807	88-108-000-080	0E	C-JUMPER,U	USFD	CX-NAJ500
X	MICON	R 0807	88-108-000-080	0E	C-JUMPER,U	USFD	CX-NAJ503
X	MICON	R 0807	88-108-000-080	0E	C-JUMPER,U	EZSFD	CX-NSZ500
X	MICON	R 0808	88-128-101-080		C-RES, 100-1/8W J	LHSFD	CX-NSZ500
X	MICON	R 0808	88-128-101-080	0E	C-RES, 100-1/8W J	USFD	CX-NAJ500
X	MICON	R 0808	88-128-101-080	0E	C-RES, 100-1/8W J	USFD	CX-NAJ503
X	MICON	R 0808	88-128-101-080	0E	C-RES, 100-1/8W J	EZSFD	CX-NSZ500
X	MICON	R 0809	88-108-102-080		C-RES,U 1K-1/16W J	LHSFD	CX-NSZ500
X	MICON	R 0809	88-108-102-080	0E	C-RES,U 1K-1/16W J	USFD	CX-NAJ500
X	MICON	R 0809	88-108-102-080	0E	C-RES,U 1K-1/16W J	USFD	CX-NAJ503
X	MICON	R 0809	88-108-102-080	0E	C-RES,U 1K-1/16W J	EZSFD	CX-NSZ500
X	MICON	R 0810	88-108-272-080		C-RES,U 2.7K-1/16W J	LHSFD	CX-NSZ500
X	MICON	R 0810	88-108-272-080	0E	C-RES,U 2.7K-1/16W J	USFD	CX-NAJ500
X	MICON	R 0810	88-108-272-080	0E	C-RES,U 2.7K-1/16W J	USFD	CX-NAJ503
X	MICON	R 0810	88-108-272-080	0E	C-RES,U 2.7K-1/16W J	EZSFD	CX-NSZ500
X	MICON	R 0811	88-108-104-080		C-RES,U 100K-1/16W J	LHSFD	CX-NSZ500
X	MICON	R 0811	88-108-104-080	0E	C-RES,U 100K-1/16W J	USFD	CX-NAJ500
X	MICON	R 0811	88-108-104-080	0E	C-RES,U 100K-1/16W J	USFD	CX-NAJ503
X	MICON	R 0811	88-108-104-080	0E	C-RES,U 100K-1/16W J	EZSFD	CX-NSZ500
X	MICON	R 0813	88-108-223-080		C-RES,U 22K-1/16W J	LHSFD	CX-NSZ500
X	MICON	R 0813	88-108-223-080	0E	C-RES,U 22K-1/16W J	USFD	CX-NAJ500
X	MICON	R 0813	88-108-223-080	0E	C-RES,U 22K-1/16W J	USFD	CX-NAJ503
X	MICON	R 0813	88-108-223-080	0E	C-RES,U 22K-1/16W J	EZSFD	CX-NSZ500
X	MICON	R 0815	88-108-272-080		C-RES,U 2.7K-1/16W J	LHSFD	CX-NSZ500
X	MICON	R 0815	88-108-272-080	0E	C-RES,U 2.7K-1/16W J	USFD	CX-NAJ500
X	MICON	R 0815	88-108-272-080	0E	C-RES,U 2.7K-1/16W J	USFD	CX-NAJ503
X	MICON	R 0815	88-108-272-080	0E	C-RES,U 2.7K-1/16W J	EZSFD	CX-NSZ500
X	MICON	R 0816	88-108-104-080		C-RES,U 100K-1/16W J	LHSFD	CX-NSZ500
X	MICON	R 0816	88-108-104-080	0E	C-RES,U 100K-1/16W J	USFD	CX-NAJ500
X	MICON	R 0816	88-108-104-080	0E	C-RES,U 100K-1/16W J	USFD	CX-NAJ503
X	MICON	R 0816	88-108-104-080	0E	C-RES,U 100K-1/16W J	EZSFD	CX-NSZ500
X	MICON	R 0818	88-108-223-080		C-RES,U 22K-1/16W J	LHSFD	CX-NSZ500
X	MICON	R 0818	88-108-223-080	0E	C-RES,U 22K-1/16W J	USFD	CX-NAJ500
X	MICON	R 0818	88-108-223-080	0E	C-RES,U 22K-1/16W J	USFD	CX-NAJ503
X	MICON	R 0818	88-108-223-080	0E	C-RES,U 22K-1/16W J	EZSFD	CX-NSZ500
X	MICON	R 0819	88-108-272-080		C-RES,U 2.7K-1/16W J	LHSFD	CX-NSZ500
X	MICON	R 0819	88-108-272-080	0E	C-RES,U 2.7K-1/16W J	USFD	CX-NAJ500
X	MICON	R 0819	88-108-272-080	0E	C-RES,U 2.7K-1/16W J	USFD	CX-NAJ503
X	MICON	R 0819	88-108-272-080	0E	C-RES,U 2.7K-1/16W J	EZSFD	CX-NSZ500
X	MICON	R 0821	88-108-104-080		C-RES,U 100K-1/16W J	LHSFD	CX-NSZ500
X	MICON	R 0821	88-108-104-080	0E	C-RES,U 100K-1/16W J	USFD	CX-NAJ500
X	MICON	R 0821	88-108-104-080	0E	C-RES,U 100K-1/16W J	USFD	CX-NAJ503
X	MICON	R 0821	88-108-104-080	0E	C-RES,U 100K-1/16W J	EZSFD	CX-NSZ500
X	MICON	R 0822	88-108-223-080		C-RES,U 22K-1/16W J	LHSFD	CX-NSZ500
X	MICON	R 0822	88-108-223-080	0E	C-RES,U 22K-1/16W J	USFD	CX-NAJ500
X	MICON	R 0822	88-108-223-080	0E	C-RES,U 22K-1/16W J	USFD	CX-NAJ503
X	MICON	R 0822	88-108-223-080	0E	C-RES,U 22K-1/16W J	EZSFD	CX-NSZ500
X	MICON	R 0823	88-108-101-080		C-RES,U 100-1/16W J	LHSFD	CX-NSZ500
X	MICON	R 0823	88-108-101-080	0E	C-RES,U 100-1/16W J	USFD	CX-NAJ500
X	MICON	R 0823	88-108-101-080	0E	C-RES,U 100-1/16W J	USFD	CX-NAJ503
X	MICON	R 0823	88-108-101-080	0E	C-RES,U 100-1/16W J	EZSFD	CX-NSZ500
X	MICON	R 0824	88-108-101-080		C-RES,U 100-1/16W J	LHSFD	CX-NSZ500
X	MICON	R 0824	88-108-101-080	0E	C-RES,U 100-1/16W J	USFD	CX-NAJ500
X	MICON	R 0824	88-108-101-080	0E	C-RES,U 100-1/16W J	USFD	CX-NAJ503
X	MICON	R 0824	88-108-101-080	0E	C-RES,U 100-1/16W J	EZSFD	CX-NSZ500
X	MICON	R 0825	88-108-101-080		C-RES,U 100-1/16W J	LHSFD	CX-NSZ500
X	MICON	R 0825	88-108-101-080	0E	C-RES,U 100-1/16W J	USFD	CX-NAJ500
X	MICON	R 0825	88-108-101-080	0E	C-RES,U 100-1/16W J	USFD	CX-NAJ503
X	MICON	R 0825	88-108-101-080	0E	C-RES,U 100-1/16W J	EZSFD	CX-NSZ500

PARTS LIST

! = Δ SAFTY PARTS
 C = Components marked

All components used on this model at the production line are shown in this service manual.

However, please note that not all components will be available as spare parts for after-sales service.

Components marked S and O are designated as spare parts for service and will be stocked at the spare parts centers.

Components marked X and R are not designated as spare parts for after sales service, and will not be stocked at the spare parts centers.

K NO. = Only use Japanese.

! C	UNIT NAME	REF NO.	PARTS CODE	K NO.	DESCRIPTION	SUFFIX	MODEL NAME
X	MICON	R 0825	88-108-101-080	0E	C-RES,U 100-1/16W J	EZSFD	CX-NSZ500
X	MICON	R 0826	88-108-000-080		C-JUMPER,U	LHSFD	CX-NSZ500
X	MICON	R 0826	88-108-000-080	0E	C-JUMPER,U	USFD	CX-NAJ500
X	MICON	R 0826	88-108-000-080	0E	C-JUMPER,U	USFD	CX-NAJ503
X	MICON	R 0826	88-108-000-080	0E	C-JUMPER,U	EZSFD	CX-NSZ500
X	MICON	R 0827	88-108-103-080		C-RES,U 10K-1/16W J	LHSFD	CX-NSZ500
X	MICON	R 0827	88-108-103-080	0E	C-RES,U 10K-1/16W J	USFD	CX-NAJ500
X	MICON	R 0827	88-108-103-080	0E	C-RES,U 10K-1/16W J	USFD	CX-NAJ503
X	MICON	R 0827	88-108-103-080	0E	C-RES,U 10K-1/16W J	EZSFD	CX-NSZ500
X	MICON	R 0901	88-108-104-080		C-RES,U 100K-1/16W J	LHSFD	CX-NSZ500
X	MICON	R 0901	88-108-104-080	0E	C-RES,U 100K-1/16W J	USFD	CX-NAJ500
X	MICON	R 0901	88-108-104-080	0E	C-RES,U 100K-1/16W J	USFD	CX-NAJ503
X	MICON	R 0901	88-108-104-080	0E	C-RES,U 100K-1/16W J	EZSFD	CX-NSZ500
X	MICON	R 0902	88-108-104-080		C-RES,U 100K-1/16W J	LHSFD	CX-NSZ500
X	MICON	R 0902	88-108-104-080	0E	C-RES,U 100K-1/16W J	USFD	CX-NAJ500
X	MICON	R 0902	88-108-104-080		C-RES,U 100K-1/16W J	USFD	CX-NAJ503
X	MICON	R 0902	88-108-104-080	0E	C-RES,U 100K-1/16W J	EZSFD	CX-NSZ500
X	MICON	R 0903	88-108-104-080		C-RES,U 100K-1/16W J	LHSFD	CX-NSZ500
X	MICON	R 0903	88-108-104-080	0E	C-RES,U 100K-1/16W J	USFD	CX-NAJ500
X	MICON	R 0903	88-108-104-080	0E	C-RES,U 100K-1/16W J	USFD	CX-NAJ503
X	MICON	R 0903	88-108-104-080	0E	C-RES,U 100K-1/16W J	EZSFD	CX-NSZ500
X	MICON	R 0904	88-108-104-080		C-RES,U 100K-1/16W J	LHSFD	CX-NSZ500
X	MICON	R 0904	88-108-104-080	0E	C-RES,U 100K-1/16W J	USFD	CX-NAJ500
X	MICON	R 0904	88-108-104-080	0E	C-RES,U 100K-1/16W J	USFD	CX-NAJ503
X	MICON	R 0904	88-108-104-080	0E	C-RES,U 100K-1/16W J	EZSFD	CX-NSZ500
X	MICON	R 0905	88-108-104-080		C-RES,U 100K-1/16W J	LHSFD	CX-NSZ500
X	MICON	R 0905	88-108-104-080	0E	C-RES,U 100K-1/16W J	USFD	CX-NAJ500
X	MICON	R 0905	88-108-104-080	0E	C-RES,U 100K-1/16W J	USFD	CX-NAJ503
X	MICON	R 0905	88-108-104-080	0E	C-RES,U 100K-1/16W J	EZSFD	CX-NSZ500
X	MICON	R 0906	88-108-104-080		C-RES,U 100K-1/16W J	LHSFD	CX-NSZ500
X	MICON	R 0906	88-108-104-080	0E	C-RES,U 100K-1/16W J	USFD	CX-NAJ500
X	MICON	R 0906	88-108-104-080	0E	C-RES,U 100K-1/16W J	USFD	CX-NAJ503
X	MICON	R 0906	88-108-104-080	0E	C-RES,U 100K-1/16W J	EZSFD	CX-NSZ500
X	MICON	R 0907	88-108-104-080		C-RES,U 100K-1/16W J	LHSFD	CX-NSZ500
X	MICON	R 0907	88-108-104-080	0E	C-RES,U 100K-1/16W J	USFD	CX-NAJ500
X	MICON	R 0907	88-108-104-080	0E	C-RES,U 100K-1/16W J	USFD	CX-NAJ503
X	MICON	R 0907	88-108-104-080	0E	C-RES,U 100K-1/16W J	EZSFD	CX-NSZ500
X	MICON	R 0908	88-108-104-080		C-RES,U 100K-1/16W J	LHSFD	CX-NSZ500
X	MICON	R 0908	88-108-104-080	0E	C-RES,U 100K-1/16W J	USFD	CX-NAJ500
X	MICON	R 0908	88-108-104-080	0E	C-RES,U 100K-1/16W J	USFD	CX-NAJ503
X	MICON	R 0908	88-108-104-080	0E	C-RES,U 100K-1/16W J	EZSFD	CX-NSZ500
X	MICON	R 0909	88-108-104-080		C-RES,U 100K-1/16W J	LHSFD	CX-NSZ500
X	MICON	R 0909	88-108-104-080	0E	C-RES,U 100K-1/16W J	USFD	CX-NAJ500
X	MICON	R 0909	88-108-104-080	0E	C-RES,U 100K-1/16W J	USFD	CX-NAJ503
X	MICON	R 0909	88-108-104-080	0E	C-RES,U 100K-1/16W J	EZSFD	CX-NSZ500
X	MICON	R 0910	88-108-104-080		C-RES,U 100K-1/16W J	LHSFD	CX-NSZ500
X	MICON	R 0910	88-108-104-080	0E	C-RES,U 100K-1/16W J	USFD	CX-NAJ500
X	MICON	R 0910	88-108-104-080	0E	C-RES,U 100K-1/16W J	USFD	CX-NAJ503
X	MICON	R 0910	88-108-104-080	0E	C-RES,U 100K-1/16W J	EZSFD	CX-NSZ500
X	MICON	R 0911	88-108-104-080		C-RES,U 100K-1/16W J	LHSFD	CX-NSZ500
X	MICON	R 0911	88-108-104-080	0E	C-RES,U 100K-1/16W J	USFD	CX-NAJ500
X	MICON	R 0911	88-108-104-080	0E	C-RES,U 100K-1/16W J	USFD	CX-NAJ503
X	MICON	R 0911	88-108-104-080	0E	C-RES,U 100K-1/16W J	EZSFD	CX-NSZ500
X	MICON	R 0912	88-108-104-080		C-RES,U 100K-1/16W J	LHSFD	CX-NSZ500
X	MICON	R 0912	88-108-104-080	0E	C-RES,U 100K-1/16W J	USFD	CX-NAJ500
X	MICON	R 0912	88-108-104-080	0E	C-RES,U 100K-1/16W J	USFD	CX-NAJ503
X	MICON	R 0912	88-108-104-080	0E	C-RES,U 100K-1/16W J	EZSFD	CX-NSZ500
X	MICON	R 0913	88-108-104-080		C-RES,U 100K-1/16W J	LHSFD	CX-NSZ500
X	MICON	R 0913	88-108-104-080	0E	C-RES,U 100K-1/16W J	USFD	CX-NAJ500
X	MICON	R 0913	88-108-104-080	0E	C-RES,U 100K-1/16W J	USFD	CX-NAJ503
X	MICON	R 0913	88-108-104-080	0E	C-RES,U 100K-1/16W J	EZSFD	CX-NSZ500
X	MICON	R 0914	88-108-104-080		C-RES,U 100K-1/16W J	LHSFD	CX-NSZ500
X	MICON	R 0914	88-108-104-080	0E	C-RES,U 100K-1/16W J	USFD	CX-NAJ500
X	MICON	R 0914	88-108-104-080	0E	C-RES,U 100K-1/16W J	USFD	CX-NAJ503
X	MICON	R 0914	88-108-104-080	0E	C-RES,U 100K-1/16W J	EZSFD	CX-NSZ500
X	MICON	R 0915	88-108-104-080		C-RES,U 100K-1/16W J	LHSFD	CX-NSZ500
X	MICON	R 0915	88-108-104-080	0E	C-RES,U 100K-1/16W J	USFD	CX-NAJ500
X	MICON	R 0915	88-108-104-080	0E	C-RES,U 100K-1/16W J	USFD	CX-NAJ503
X	MICON	R 0915	88-108-104-080	0E	C-RES,U 100K-1/16W J	EZSFD	CX-NSZ500
X	MICON	R 0916	88-108-104-080		C-RES,U 100K-1/16W J	LHSFD	CX-NSZ500

PARTS LIST

! = SAFETY PARTS
 C = Components marked

All components used on this model at the production line are shown in this service manual.

However, please note that not all components will be available as spare parts for after-sales service.

Components marked S and O are designated as spare parts for service and will be stocked at the spare parts centers.

Components marked X and R are not designated as spare parts for after sales service, and will not be stocked at the spare parts centers.

K NO. = Only use Japanese.

! C	UNIT NAME	REF NO.	PARTS CODE	K NO.	DESCRIPTION	SUFFIX	MODEL NAME
X	MICON	R 0916	88-108-104-080	0E	C-RES,U 100K-1/16W J	USFD	CX-NAJ500
X	MICON	R 0916	88-108-104-080	0E	C-RES,U 100K-1/16W J	USFD	CX-NAJ503
X	MICON	R 0916	88-108-104-080	0E	C-RES,U 100K-1/16W J	EZSFD	CX-NSZ500
X	MICON	R 0917	88-108-104-080		C-RES,U 100K-1/16W J	LHSFD	CX-NSZ500
X	MICON	R 0917	88-108-104-080	0E	C-RES,U 100K-1/16W J	USFD	CX-NAJ500
X	MICON	R 0917	88-108-104-080	0E	C-RES,U 100K-1/16W J	USFD	CX-NAJ503
X	MICON	R 0917	88-108-104-080	0E	C-RES,U 100K-1/16W J	EZSFD	CX-NSZ500
X	MICON	R 0918	88-108-104-080		C-RES,U 100K-1/16W J	LHSFD	CX-NSZ500
X	MICON	R 0918	88-108-104-080	0E	C-RES,U 100K-1/16W J	USFD	CX-NAJ500
X	MICON	R 0918	88-108-104-080	0E	C-RES,U 100K-1/16W J	USFD	CX-NAJ503
X	MICON	R 0918	88-108-104-080	0E	C-RES,U 100K-1/16W J	EZSFD	CX-NSZ500
X	MICON	R 0919	88-108-104-080		C-RES,U 100K-1/16W J	LHSFD	CX-NSZ500
X	MICON	R 0919	88-108-104-080	0E	C-RES,U 100K-1/16W J	USFD	CX-NAJ500
X	MICON	R 0919	88-108-104-080	0E	C-RES,U 100K-1/16W J	USFD	CX-NAJ503
X	MICON	R 0919	88-108-104-080	0E	C-RES,U 100K-1/16W J	EZSFD	CX-NSZ500
X	MICON	R 0920	88-108-104-080		C-RES,U 100K-1/16W J	LHSFD	CX-NSZ500
X	MICON	R 0920	88-108-104-080	0E	C-RES,U 100K-1/16W J	USFD	CX-NAJ500
X	MICON	R 0920	88-108-104-080	0E	C-RES,U 100K-1/16W J	USFD	CX-NAJ503
X	MICON	R 0920	88-108-104-080	0E	C-RES,U 100K-1/16W J	EZSFD	CX-NSZ500
X	MICON	R 0921	88-108-104-080		C-RES,U 100K-1/16W J	LHSFD	CX-NSZ500
X	MICON	R 0921	88-108-104-080	0E	C-RES,U 100K-1/16W J	USFD	CX-NAJ500
X	MICON	R 0921	88-108-104-080	0E	C-RES,U 100K-1/16W J	USFD	CX-NAJ503
X	MICON	R 0921	88-108-104-080	0E	C-RES,U 100K-1/16W J	EZSFD	CX-NSZ500
X	MICON	R 0922	88-108-104-080		C-RES,U 100K-1/16W J	LHSFD	CX-NSZ500
X	MICON	R 0922	88-108-104-080	0E	C-RES,U 100K-1/16W J	USFD	CX-NAJ500
X	MICON	R 0922	88-108-104-080	0E	C-RES,U 100K-1/16W J	USFD	CX-NAJ503
X	MICON	R 0922	88-108-104-080	0E	C-RES,U 100K-1/16W J	EZSFD	CX-NSZ500
X	MICON	R 0923	88-108-104-080		C-RES,U 100K-1/16W J	LHSFD	CX-NSZ500
X	MICON	R 0923	88-108-104-080	0E	C-RES,U 100K-1/16W J	USFD	CX-NAJ500
X	MICON	R 0923	88-108-104-080	0E	C-RES,U 100K-1/16W J	USFD	CX-NAJ503
X	MICON	R 0923	88-108-104-080	0E	C-RES,U 100K-1/16W J	EZSFD	CX-NSZ500
X	MICON	R 0924	88-108-104-080		C-RES,U 100K-1/16W J	LHSFD	CX-NSZ500
X	MICON	R 0924	88-108-104-080	0E	C-RES,U 100K-1/16W J	USFD	CX-NAJ500
X	MICON	R 0924	88-108-104-080	0E	C-RES,U 100K-1/16W J	USFD	CX-NAJ503
X	MICON	R 0924	88-108-104-080	0E	C-RES,U 100K-1/16W J	EZSFD	CX-NSZ500
X	MICON	R 0925	88-108-104-080		C-RES,U 100K-1/16W J	LHSFD	CX-NSZ500
X	MICON	R 0925	88-108-104-080	0E	C-RES,U 100K-1/16W J	USFD	CX-NAJ500
X	MICON	R 0925	88-108-104-080	0E	C-RES,U 100K-1/16W J	USFD	CX-NAJ503
X	MICON	R 0925	88-108-104-080	0E	C-RES,U 100K-1/16W J	EZSFD	CX-NSZ500
X	MICON	R 0926	88-108-104-080		C-RES,U 100K-1/16W J	LHSFD	CX-NSZ500
X	MICON	R 0926	88-108-104-080	0E	C-RES,U 100K-1/16W J	USFD	CX-NAJ500
X	MICON	R 0926	88-108-104-080	0E	C-RES,U 100K-1/16W J	USFD	CX-NAJ503
X	MICON	R 0926	88-108-104-080	0E	C-RES,U 100K-1/16W J	EZSFD	CX-NSZ500
X	MICON	R 0927	88-108-104-080		C-RES,U 100K-1/16W J	LHSFD	CX-NSZ500
X	MICON	R 0927	88-108-104-080	0E	C-RES,U 100K-1/16W J	USFD	CX-NAJ500
X	MICON	R 0927	88-108-104-080	0E	C-RES,U 100K-1/16W J	USFD	CX-NAJ503
X	MICON	R 0927	88-108-104-080	0E	C-RES,U 100K-1/16W J	EZSFD	CX-NSZ500
X	MICON	R 0928	88-108-104-080		C-RES,U 100K-1/16W J	LHSFD	CX-NSZ500
X	MICON	R 0928	88-108-104-080	0E	C-RES,U 100K-1/16W J	USFD	CX-NAJ500
X	MICON	R 0928	88-108-104-080	0E	C-RES,U 100K-1/16W J	USFD	CX-NAJ503
X	MICON	R 0928	88-108-104-080	0E	C-RES,U 100K-1/16W J	EZSFD	CX-NSZ500
X	MICON	R 0929	88-108-104-080		C-RES,U 100K-1/16W J	LHSFD	CX-NSZ500
X	MICON	R 0929	88-108-104-080	0E	C-RES,U 100K-1/16W J	USFD	CX-NAJ500
X	MICON	R 0929	88-108-104-080	0E	C-RES,U 100K-1/16W J	USFD	CX-NAJ503
X	MICON	R 0929	88-108-104-080	0E	C-RES,U 100K-1/16W J	EZSFD	CX-NSZ500
X	MICON	R 0930	88-108-104-080		C-RES,U 100K-1/16W J	LHSFD	CX-NSZ500
X	MICON	R 0930	88-108-104-080	0E	C-RES,U 100K-1/16W J	USFD	CX-NAJ500
X	MICON	R 0930	88-108-104-080	0E	C-RES,U 100K-1/16W J	USFD	CX-NAJ503
X	MICON	R 0930	88-108-104-080	0E	C-RES,U 100K-1/16W J	EZSFD	CX-NSZ500
X	MICON	R 0931	88-108-104-080		C-RES,U 100K-1/16W J	LHSFD	CX-NSZ500
X	MICON	R 0931	88-108-104-080	0E	C-RES,U 100K-1/16W J	USFD	CX-NAJ500
X	MICON	R 0931	88-108-104-080	0E	C-RES,U 100K-1/16W J	USFD	CX-NAJ503
X	MICON	R 0931	88-108-104-080	0E	C-RES,U 100K-1/16W J	EZSFD	CX-NSZ500
X	MICON	R 0932	88-108-104-080		C-RES,U 100K-1/16W J	LHSFD	CX-NSZ500
X	MICON	R 0932	88-108-104-080	0E	C-RES,U 100K-1/16W J	USFD	CX-NAJ500
X	MICON	R 0932	88-108-104-080	0E	C-RES,U 100K-1/16W J	USFD	CX-NAJ503
X	MICON	R 0932	88-108-104-080	0E	C-RES,U 100K-1/16W J	EZSFD	CX-NSZ500
X	MICON	R 0933	88-108-104-080		C-RES,U 100K-1/16W J	LHSFD	CX-NSZ500
X	MICON	R 0933	88-108-104-080	0E	C-RES,U 100K-1/16W J	USFD	CX-NAJ500
X	MICON	R 0933	88-108-104-080	0E	C-RES,U 100K-1/16W J	USFD	CX-NAJ503
X	MICON	R 0933	88-108-104-080	0E	C-RES,U 100K-1/16W J	EZSFD	CX-NSZ500

PARTS LIST

! = Δ SAFTY PARTS
 C = Components marked

All components used on this model at the production line are shown in this service manual.

However, please note that not all components will be available as spare parts for after-sales service.

Components marked S and O are designated as spare parts for service and will be stocked at the spare parts centers.

Components marked X and R are not designated as spare parts for after sales service, and will not be stocked at the spare parts centers.

K NO. = Only use Japanese.

! C	UNIT NAME	REF NO.	PARTS CODE	K NO.	DESCRIPTION	SUFFIX	MODEL NAME
X	MICON	R 0933	88-108-104-080	0E	C-RES,U 100K-1/16W J	EZSFD	CX-NSZ500
X	MICON	R 0934	88-108-683-080		C-RES,U 68K-1/16W J	LHSFD	CX-NSZ500
X	MICON	R 0934	88-108-683-080	0E	C-RES,U 68K-1/16W J	USFD	CX-NAJ500
X	MICON	R 0934	88-108-683-080	0E	C-RES,U 68K-1/16W J	USFD	CX-NAJ503
X	MICON	R 0934	88-108-683-080	0E	C-RES,U 68K-1/16W J	EZSFD	CX-NSZ500
X	MICON	R 0935	88-108-683-080		C-RES,U 68K-1/16W J	LHSFD	CX-NSZ500
X	MICON	R 0935	88-108-683-080	0E	C-RES,U 68K-1/16W J	USFD	CX-NAJ500
X	MICON	R 0935	88-108-683-080	0E	C-RES,U 68K-1/16W J	USFD	CX-NAJ503
X	MICON	R 0935	88-108-683-080	0E	C-RES,U 68K-1/16W J	EZSFD	CX-NSZ500
X	MICON	R 0936	88-108-104-080		C-RES,U 100K-1/16W J	LHSFD	CX-NSZ500
X	MICON	R 0936	88-108-104-080	0E	C-RES,U 100K-1/16W J	USFD	CX-NAJ500
X	MICON	R 0936	88-108-104-080	0E	C-RES,U 100K-1/16W J	USFD	CX-NAJ503
X	MICON	R 0936	88-108-104-080	0E	C-RES,U 100K-1/16W J	EZSFD	CX-NSZ500
X	MICON	R 0937	88-128-472-080		C-RES, 4.7K-1/8W J	LHSFD	CX-NSZ500
X	MICON	R 0937	88-128-472-080	0E	C-RES, 4.7K-1/8W J	USFD	CX-NAJ500
X	MICON	R 0937	88-128-472-080		C-RES, 4.7K-1/8W J	USFD	CX-NAJ503
X	MICON	R 0937	88-128-472-080	0E	C-RES, 4.7K-1/8W J	EZSFD	CX-NSZ500
X	MICON	R 0938	88-108-472-080		C-RES,U 4.7K-1/16W J	LHSFD	CX-NSZ500
X	MICON	R 0938	88-108-472-080	0E	C-RES,U 4.7K-1/16W J	USFD	CX-NAJ500
X	MICON	R 0938	88-108-472-080	0E	C-RES,U 4.7K-1/16W J	USFD	CX-NAJ503
X	MICON	R 0938	88-108-472-080	0E	C-RES,U 4.7K-1/16W J	EZSFD	CX-NSZ500
X	MICON	R 0939	88-108-472-080		C-RES,U 4.7K-1/16W J	LHSFD	CX-NSZ500
X	MICON	R 0939	88-108-472-080	0E	C-RES,U 4.7K-1/16W J	USFD	CX-NAJ500
X	MICON	R 0939	88-108-472-080	0E	C-RES,U 4.7K-1/16W J	USFD	CX-NAJ503
X	MICON	R 0939	88-108-472-080	0E	C-RES,U 4.7K-1/16W J	EZSFD	CX-NSZ500
X	MICON	R 0940	88-121-104-080		RES,100K-1/8W J	LHSFD	CX-NSZ500
X	MICON	R 0940	88-121-104-080	0E	RES,100K-1/8W J	USFD	CX-NAJ500
X	MICON	R 0940	88-121-104-080	0E	RES,100K-1/8W J	USFD	CX-NAJ503
X	MICON	R 0940	88-121-104-080	0E	RES,100K-1/8W J	EZSFD	CX-NSZ500
X	MICON	R 0941	88-108-104-080		C-RES,U 100K-1/16W J	LHSFD	CX-NSZ500
X	MICON	R 0941	88-108-104-080	0E	C-RES,U 100K-1/16W J	USFD	CX-NAJ500
X	MICON	R 0941	88-108-104-080	0E	C-RES,U 100K-1/16W J	USFD	CX-NAJ503
X	MICON	R 0941	88-108-104-080	0E	C-RES,U 100K-1/16W J	EZSFD	CX-NSZ500
X	MICON	R 0942	88-108-103-080		C-RES,U 10K-1/16W J	LHSFD	CX-NSZ500
X	MICON	R 0942	88-108-103-080	0E	C-RES,U 10K-1/16W J	USFD	CX-NAJ500
X	MICON	R 0942	88-108-103-080	0E	C-RES,U 10K-1/16W J	USFD	CX-NAJ503
X	MICON	R 0942	88-108-103-080	0E	C-RES,U 10K-1/16W J	EZSFD	CX-NSZ500
X	MICON	R 0943	88-108-103-080		C-RES,U 10K-1/16W J	LHSFD	CX-NSZ500
X	MICON	R 0943	88-108-103-080	0E	C-RES,U 10K-1/16W J	USFD	CX-NAJ500
X	MICON	R 0943	88-108-103-080	0E	C-RES,U 10K-1/16W J	USFD	CX-NAJ503
X	MICON	R 0943	88-108-103-080	0E	C-RES,U 10K-1/16W J	EZSFD	CX-NSZ500
X	MICON	R 0946	88-108-000-080		C-JUMPER,U	LHSFD	CX-NSZ500
X	MICON	R 0946	88-108-000-080	0E	C-JUMPER,U	USFD	CX-NAJ500
X	MICON	R 0946	88-108-000-080	0E	C-JUMPER,U	USFD	CX-NAJ503
X	MICON	R 0946	88-108-000-080	0E	C-JUMPER,U	EZSFD	CX-NSZ500
X	MICON	R 0947	88-108-104-080		C-RES,U 100K-1/16W J	LHSFD	CX-NSZ500
X	MICON	R 0947	88-108-104-080	0E	C-RES,U 100K-1/16W J	USFD	CX-NAJ500
X	MICON	R 0947	88-108-104-080	0E	C-RES,U 100K-1/16W J	USFD	CX-NAJ503
X	MICON	R 0947	88-108-104-080	0E	C-RES,U 100K-1/16W J	EZSFD	CX-NSZ500
X	MICON	R 0948	88-121-104-080		RES,100K-1/8W J	LHSFD	CX-NSZ500
X	MICON	R 0948	88-121-104-080	0E	RES,100K-1/8W J	USFD	CX-NAJ500
X	MICON	R 0948	88-121-104-080	0E	RES,100K-1/8W J	USFD	CX-NAJ503
X	MICON	R 0948	88-121-104-080	0E	RES,100K-1/8W J	EZSFD	CX-NSZ500
X	MICON	R 0951	88-108-102-080		C-RES,U 1K-1/16W J	LHSFD	CX-NSZ500
X	MICON	R 0951	88-108-102-080	0E	C-RES,U 1K-1/16W J	USFD	CX-NAJ500
X	MICON	R 0951	88-108-102-080	0E	C-RES,U 1K-1/16W J	USFD	CX-NAJ503
X	MICON	R 0951	88-108-102-080	0E	C-RES,U 1K-1/16W J	EZSFD	CX-NSZ500
X	MICON	R 0955	88-108-104-080		C-RES,U 100K-1/16W J	LHSFD	CX-NSZ500
X	MICON	R 0955	88-108-104-080	0E	C-RES,U 100K-1/16W J	USFD	CX-NAJ500
X	MICON	R 0955	88-108-104-080	0E	C-RES,U 100K-1/16W J	USFD	CX-NAJ503
X	MICON	R 0955	88-108-104-080	0E	C-RES,U 100K-1/16W J	EZSFD	CX-NSZ500
X	MICON	R 0956	88-108-104-080		C-RES,U 100K-1/16W J	LHSFD	CX-NSZ500
X	MICON	R 0956	88-108-104-080	0E	C-RES,U 100K-1/16W J	USFD	CX-NAJ500
X	MICON	R 0956	88-108-104-080	0E	C-RES,U 100K-1/16W J	USFD	CX-NAJ503
X	MICON	R 0956	88-108-104-080	0E	C-RES,U 100K-1/16W J	EZSFD	CX-NSZ500
X	MICON	R 0957	88-108-104-080		C-RES,U 100K-1/16W J	LHSFD	CX-NSZ500
X	MICON	R 0957	88-108-104-080	0E	C-RES,U 100K-1/16W J	USFD	CX-NAJ500
X	MICON	R 0957	88-108-104-080	0E	C-RES,U 100K-1/16W J	USFD	CX-NAJ503
X	MICON	R 0957	88-108-104-080	0E	C-RES,U 100K-1/16W J	EZSFD	CX-NSZ500
X	MICON	R 0958	88-108-104-080		C-RES,U 100K-1/16W J	LHSFD	CX-NSZ500

PARTS LIST

! = Δ SAFTY PARTS
 C = Components marked

All components used on this model at the production line are shown in this service manual.

However, please note that not all components will be available as spare parts for after-sales service.

Components marked S and O are designated as spare parts for service and will be stocked at the spare parts centers.

Components marked X and R are not designated as spare parts for after sales service, and will not be stocked at the spare parts centers.

K NO. = Only use Japanese.

! C	UNIT NAME	REF NO.	PARTS CODE	K NO.	DESCRIPTION	SUFFIX	MODEL NAME
X	MICON	R 0958	88-108-104-080	0E	C-RES, U 100K-1/16W J	USFD	CX-NAJ500
X	MICON	R 0958	88-108-104-080	0E	C-RES, U 100K-1/16W J	USFD	CX-NAJ503
X	MICON	R 0958	88-108-104-080	0E	C-RES, U 100K-1/16W J	EZSFD	CX-NSZ500
X	MICON	R 0961	88-108-181-080		C-RES, U 180-1/16W J	LHSFD	CX-NSZ500
X	MICON	R 0961	88-108-181-080	0E	C-RES, U 180-1/16W J	USFD	CX-NAJ500
X	MICON	R 0961	88-108-181-080	0E	C-RES, U 180-1/16W J	USFD	CX-NAJ503
X	MICON	R 0961	88-108-181-080	0E	C-RES, U 180-1/16W J	EZSFD	CX-NSZ500
X	MICON	R 0962	88-108-563-080		C-RES, U 56K-1/16W J	LHSFD	CX-NSZ500
X	MICON	R 0962	88-108-563-080	0E	C-RES, U 56K-1/16W J	USFD	CX-NAJ500
X	MICON	R 0962	88-108-563-080	0E	C-RES, U 56K-1/16W J	USFD	CX-NAJ503
X	MICON	R 0962	88-108-563-080	0E	C-RES, U 56K-1/16W J	EZSFD	CX-NSZ500
O	MICON	S 0321	87-A90-095-080		SW, TACT EVQ11G04M	LHSFD	CX-NSZ500
O	MICON	S 0321	87-A90-095-080	0E	SW, TACT EVQ11G04M	USFD	CX-NAJ500
O	MICON	S 0321	87-A90-095-080	0E	SW, TACT EVQ11G04M	USFD	CX-NAJ503
O	MICON	S 0321	87-A90-095-080	0E	SW, TACT EVQ11G04M	EZSFD	CX-NSZ500
O	MICON	S 0322	87-A90-095-080		SW, TACT EVQ11G04M	LHSFD	CX-NSZ500
O	MICON	S 0322	87-A90-095-080	0E	SW, TACT EVQ11G04M	USFD	CX-NAJ500
O	MICON	S 0322	87-A90-095-080	0E	SW, TACT EVQ11G04M	USFD	CX-NAJ503
O	MICON	S 0322	87-A90-095-080	0E	SW, TACT EVQ11G04M	EZSFD	CX-NSZ500
O	MICON	S 0323	87-A90-095-080		SW, TACT EVQ11G04M	LHSFD	CX-NSZ500
O	MICON	S 0323	87-A90-095-080	0E	SW, TACT EVQ11G04M	USFD	CX-NAJ500
O	MICON	S 0323	87-A90-095-080	0E	SW, TACT EVQ11G04M	USFD	CX-NAJ503
O	MICON	S 0323	87-A90-095-080	0E	SW, TACT EVQ11G04M	EZSFD	CX-NSZ500
O	MICON	S 0324	87-A90-095-080		SW, TACT EVQ11G04M	LHSFD	CX-NSZ500
O	MICON	S 0324	87-A90-095-080	0E	SW, TACT EVQ11G04M	USFD	CX-NAJ500
O	MICON	S 0324	87-A90-095-080	0E	SW, TACT EVQ11G04M	USFD	CX-NAJ503
O	MICON	S 0324	87-A90-095-080	0E	SW, TACT EVQ11G04M	EZSFD	CX-NSZ500
O	MICON	S 0325	87-A90-095-080		SW, TACT EVQ11G04M	LHSFD	CX-NSZ500
O	MICON	S 0325	87-A90-095-080	0E	SW, TACT EVQ11G04M	USFD	CX-NAJ500
O	MICON	S 0325	87-A90-095-080	0E	SW, TACT EVQ11G04M	USFD	CX-NAJ503
O	MICON	S 0325	87-A90-095-080	0E	SW, TACT EVQ11G04M	EZSFD	CX-NSZ500
O	MICON	S 0326	87-A90-095-080		SW, TACT EVQ11G04M	LHSFD	CX-NSZ500
O	MICON	S 0326	87-A90-095-080	0E	SW, TACT EVQ11G04M	USFD	CX-NAJ500
O	MICON	S 0326	87-A90-095-080	0E	SW, TACT EVQ11G04M	USFD	CX-NAJ503
O	MICON	S 0326	87-A90-095-080	0E	SW, TACT EVQ11G04M	EZSFD	CX-NSZ500
O	MICON	S 0327	87-A90-095-080		SW, TACT EVQ11G04M	LHSFD	CX-NSZ500
O	MICON	S 0327	87-A90-095-080	0E	SW, TACT EVQ11G04M	USFD	CX-NAJ500
O	MICON	S 0327	87-A90-095-080	0E	SW, TACT EVQ11G04M	USFD	CX-NAJ503
O	MICON	S 0327	87-A90-095-080	0E	SW, TACT EVQ11G04M	EZSFD	CX-NSZ500
O	MICON	S 0328	87-A90-095-080		SW, TACT EVQ11G04M	LHSFD	CX-NSZ500
O	MICON	S 0328	87-A90-095-080	0E	SW, TACT EVQ11G04M	USFD	CX-NAJ500
O	MICON	S 0328	87-A90-095-080	0E	SW, TACT EVQ11G04M	USFD	CX-NAJ503
O	MICON	S 0328	87-A90-095-080	0E	SW, TACT EVQ11G04M	EZSFD	CX-NSZ500
O	MICON	S 0329	87-A90-095-080		SW, TACT EVQ11G04M	LHSFD	CX-NSZ500
O	MICON	S 0329	87-A90-095-080	0E	SW, TACT EVQ11G04M	USFD	CX-NAJ500
O	MICON	S 0329	87-A90-095-080	0E	SW, TACT EVQ11G04M	USFD	CX-NAJ503
O	MICON	S 0329	87-A90-095-080	0E	SW, TACT EVQ11G04M	EZSFD	CX-NSZ500
O	MICON	S 0330	87-A90-095-080		SW, TACT EVQ11G04M	LHSFD	CX-NSZ500
O	MICON	S 0330	87-A90-095-080	0E	SW, TACT EVQ11G04M	USFD	CX-NAJ500
O	MICON	S 0330	87-A90-095-080	0E	SW, TACT EVQ11G04M	USFD	CX-NAJ503
O	MICON	S 0330	87-A90-095-080	0E	SW, TACT EVQ11G04M	EZSFD	CX-NSZ500
O	MICON	S 0331	87-A90-095-080		SW, TACT EVQ11G04M	LHSFD	CX-NSZ500
O	MICON	S 0331	87-A90-095-080	0E	SW, TACT EVQ11G04M	USFD	CX-NAJ500
O	MICON	S 0331	87-A90-095-080	0E	SW, TACT EVQ11G04M	USFD	CX-NAJ503
O	MICON	S 0331	87-A90-095-080	0E	SW, TACT EVQ11G04M	EZSFD	CX-NSZ500
O	MICON	S 0332	87-A90-095-080		SW, TACT EVQ11G04M	LHSFD	CX-NSZ500
O	MICON	S 0332	87-A90-095-080	0E	SW, TACT EVQ11G04M	USFD	CX-NAJ500
O	MICON	S 0332	87-A90-095-080	0E	SW, TACT EVQ11G04M	USFD	CX-NAJ503
O	MICON	S 0332	87-A90-095-080	0E	SW, TACT EVQ11G04M	EZSFD	CX-NSZ500
O	MICON	S 0333	87-A90-095-080		SW, TACT EVQ11G04M	LHSFD	CX-NSZ500
O	MICON	S 0333	87-A90-095-080	0E	SW, TACT EVQ11G04M	USFD	CX-NAJ500
O	MICON	S 0333	87-A90-095-080	0E	SW, TACT EVQ11G04M	USFD	CX-NAJ503
O	MICON	S 0333	87-A90-095-080	0E	SW, TACT EVQ11G04M	EZSFD	CX-NSZ500
O	MICON	S 0334	87-A90-095-080		SW, TACT EVQ11G04M	LHSFD	CX-NSZ500
O	MICON	S 0334	87-A90-095-080	0E	SW, TACT EVQ11G04M	USFD	CX-NAJ500
O	MICON	S 0334	87-A90-095-080	0E	SW, TACT EVQ11G04M	USFD	CX-NAJ503
O	MICON	S 0334	87-A90-095-080	0E	SW, TACT EVQ11G04M	EZSFD	CX-NSZ500
O	MICON	S 0341	87-A90-095-080		SW, TACT EVQ11G04M	LHSFD	CX-NSZ500
O	MICON	S 0341	87-A90-095-080	0E	SW, TACT EVQ11G04M	USFD	CX-NAJ500
O	MICON	S 0341	87-A90-095-080	0E	SW, TACT EVQ11G04M	USFD	CX-NAJ503
O	MICON	S 0341	87-A90-095-080	0E	SW, TACT EVQ11G04M	EZSFD	CX-NSZ500

PARTS LIST

! = Δ SAFTY PARTS
 C = Components marked

All components used on this model at the production line are shown in this service manual.

However, please note that not all components will be available as spare parts for after-sales service.

Components marked S and O are designated as spare parts for service and will be stocked at the spare parts centers.

Components marked X and R are not designated as spare parts for after sales service, and will not be stocked at the spare parts centers.

K NO. = Only use Japanese.

! C	UNIT NAME	REF NO.	PARTS CODE	K NO.	DESCRIPTION	SUFFIX	MODEL NAME
O	MICON	S 0341	87-A90-095-080	0E	SW, TACT EVQ11G04M	EZSFD	CX-NSZ500
O	MICON	S 0342	87-A90-095-080		SW, TACT EVQ11G04M	LHSFD	CX-NSZ500
O	MICON	S 0342	87-A90-095-080	0E	SW, TACT EVQ11G04M	USFD	CX-NAJ500
O	MICON	S 0342	87-A90-095-080	0E	SW, TACT EVQ11G04M	USFD	CX-NAJ503
O	MICON	S 0342	87-A90-095-080	0E	SW, TACT EVQ11G04M	EZSFD	CX-NSZ500
O	MICON	S 0343	87-A90-095-080		SW, TACT EVQ11G04M	LHSFD	CX-NSZ500
O	MICON	S 0343	87-A90-095-080	0E	SW, TACT EVQ11G04M	USFD	CX-NAJ500
O	MICON	S 0343	87-A90-095-080	0E	SW, TACT EVQ11G04M	USFD	CX-NAJ503
O	MICON	S 0343	87-A90-095-080	0E	SW, TACT EVQ11G04M	EZSFD	CX-NSZ500
O	MICON	S 0344	87-A90-095-080		SW, TACT EVQ11G04M	LHSFD	CX-NSZ500
O	MICON	S 0344	87-A90-095-080	0E	SW, TACT EVQ11G04M	USFD	CX-NAJ500
O	MICON	S 0344	87-A90-095-080	0E	SW, TACT EVQ11G04M	USFD	CX-NAJ503
O	MICON	S 0344	87-A90-095-080	0E	SW, TACT EVQ11G04M	EZSFD	CX-NSZ500
O	MICON	S 0345	87-A90-095-080		SW, TACT EVQ11G04M	LHSFD	CX-NSZ500
O	MICON	S 0345	87-A90-095-080	0E	SW, TACT EVQ11G04M	USFD	CX-NAJ500
O	MICON	S 0345	87-A90-095-080	0E	SW, TACT EVQ11G04M	USFD	CX-NAJ503
O	MICON	S 0345	87-A90-095-080	0E	SW, TACT EVQ11G04M	EZSFD	CX-NSZ500
O	MICON	S 0346	87-A90-095-080		SW, TACT EVQ11G04M	LHSFD	CX-NSZ500
O	MICON	S 0346	87-A90-095-080	0E	SW, TACT EVQ11G04M	USFD	CX-NAJ500
O	MICON	S 0346	87-A90-095-080	0E	SW, TACT EVQ11G04M	USFD	CX-NAJ503
O	MICON	S 0346	87-A90-095-080	0E	SW, TACT EVQ11G04M	EZSFD	CX-NSZ500
O	MICON	S 0347	87-A90-095-080		SW, TACT EVQ11G04M	LHSFD	CX-NSZ500
O	MICON	S 0347	87-A90-095-080	0E	SW, TACT EVQ11G04M	USFD	CX-NAJ500
O	MICON	S 0347	87-A90-095-080	0E	SW, TACT EVQ11G04M	USFD	CX-NAJ503
O	MICON	S 0347	87-A90-095-080	0E	SW, TACT EVQ11G04M	EZSFD	CX-NSZ500
O	MICON	S 0348	87-A90-095-080		SW, TACT EVQ11G04M	LHSFD	CX-NSZ500
O	MICON	S 0348	87-A90-095-080	0E	SW, TACT EVQ11G04M	USFD	CX-NAJ500
O	MICON	S 0348	87-A90-095-080	0E	SW, TACT EVQ11G04M	USFD	CX-NAJ503
O	MICON	S 0348	87-A90-095-080	0E	SW, TACT EVQ11G04M	EZSFD	CX-NSZ500
O	MICON	S 0349	87-A90-095-080		SW, TACT EVQ11G04M	LHSFD	CX-NSZ500
O	MICON	S 0349	87-A90-095-080	0E	SW, TACT EVQ11G04M	USFD	CX-NAJ500
O	MICON	S 0349	87-A90-095-080	0E	SW, TACT EVQ11G04M	USFD	CX-NAJ503
O	MICON	S 0349	87-A90-095-080	0E	SW, TACT EVQ11G04M	EZSFD	CX-NSZ500
O	MICON	S 0361	87-A92-056-010		SW, RTRY EC12E24504-25MM OFF	LHSFD	CX-NSZ500
O	MICON	S 0361	87-A92-056-010	1A	SW, RTRY EC12E24504-25MM OFF	USFD	CX-NAJ500
O	MICON	S 0361	87-A92-056-010	1A	SW, RTRY EC12E24504-25MM OFF	USFD	CX-NAJ503
O	MICON	S 0361	87-A92-056-010	1A	SW, RTRY EC12E24504-25MM OFF	EZSFD	CX-NSZ500
O	MICON	S 0371	87-A92-057-010		SW, RTRY EC12E12504-25MM OFF	LHSFD	CX-NSZ500
O	MICON	S 0371	87-A92-057-010	1A	SW, RTRY EC12E12504-25MM OFF	USFD	CX-NAJ500
O	MICON	S 0371	87-A92-057-010	1A	SW, RTRY EC12E12504-25MM OFF	USFD	CX-NAJ503
O	MICON	S 0371	87-A92-057-010	1A	SW, RTRY EC12E12504-25MM OFF	EZSFD	CX-NSZ500
!	O OTHERS		82-NF5-229-010		PLATE, LOCK (*)	LHSFD	CX-NSZ500
!	O OTHERS		82-NF5-229-010	0E	PLATE, LOCK (*)	USFD	CX-NAJ500
!	O OTHERS		82-NF5-229-010	0E	PLATE, LOCK (*)	USFD	CX-NAJ503
!	O OTHERS		82-NF5-229-010	0E	PLATE, LOCK (*)	EZSFD	CX-NSZ500
O	OTHERS		86-NF9-224-010		SPR-C, LOCK	LHSFD	CX-NSZ500
O	OTHERS		86-NF9-224-010	0E	SPR-C, LOCK	USFD	CX-NAJ500
O	OTHERS		86-NF9-224-010	0E	SPR-C, LOCK	USFD	CX-NAJ503
O	OTHERS		86-NF9-224-010	0E	SPR-C, LOCK	EZSFD	CX-NSZ500
X	OTHERS		87-064-080-010	0E	BINDER, WIRE	USFD	CX-NAJ500
X	OTHERS		87-064-080-010	0E	BINDER, WIRE	USFD	CX-NAJ503
X	OTHERS		87-064-080-010	0E	BINDER, WIRE	EZSFD	CX-NSZ500
!	O OTHERS		87-NF4-216-010		HLDR, LOCK 1	LHSFD	CX-NSZ500
!	O OTHERS		87-NF4-216-010	0E	HLDR, LOCK 1	USFD	CX-NAJ500
!	O OTHERS		87-NF4-216-010	0E	HLDR, LOCK 1	USFD	CX-NAJ503
!	O OTHERS		87-NF4-216-010	0E	HLDR, LOCK 1	EZSFD	CX-NSZ500
!	O OTHERS		87-NF4-217-110		HLDR, LOCK 2	LHSFD	CX-NSZ500
!	O OTHERS		87-NF4-217-110	0E	HLDR, LOCK 2	USFD	CX-NAJ500
!	O OTHERS		87-NF4-217-110	0E	HLDR, LOCK 2	USFD	CX-NAJ503
!	O OTHERS		87-NF4-217-110	0E	HLDR, LOCK 2	EZSFD	CX-NSZ500
X	OTHERS		87-NF4-218-010		PLATE, EARTH MECHA	LHSFD	CX-NSZ500
X	OTHERS		87-NF4-218-010	0E	PLATE, EARTH MECHA	USFD	CX-NAJ500
X	OTHERS		87-NF4-218-010	0E	PLATE, EARTH MECHA	USFD	CX-NAJ503
X	OTHERS		87-NF4-218-010	0E	PLATE, EARTH MECHA	EZSFD	CX-NSZ500
!	O OTHERS		87-NF4-221-010	0E	HLDR, CABLE	USFD	CX-NAJ500
!	O OTHERS		87-NF4-221-010	0E	HLDR, CABLE	EZSFD	CX-NSZ500
X	OTHERS		88-NF8-202-010		HT-SINK, FIN	LHSFD	CX-NSZ500
X	OTHERS		88-NF8-202-010	1A	HT-SINK, FIN	USFD	CX-NAJ500
X	OTHERS		88-NF8-202-010	1A	HT-SINK, FIN	USFD	CX-NAJ503
!	O OTHERS		8A-NF7-225-010		HLDR, PWB PT 85S	LHSFD	CX-NSZ500

PARTS LIST

! = Δ SAFTY PARTS
 C = Components marked

All components used on this model at the production line are shown in this service manual.

However, please note that not all components will be available as spare parts for after-sales service.

Components marked S and O are designated as spare parts for service and will be stocked at the spare parts centers.

Components marked X and R are not designated as spare parts for after sales service, and will not be stocked at the spare parts centers.

K NO. = Only use Japanese.

! C	UNIT NAME	REF NO.	PARTS CODE	K NO.	DESCRIPTION	SUFFIX	MODEL NAME
! O	OTHERS		8A-NF7-225-010	0E	HLDR, PWB PT 85S	USFD	CX-NAJ503
! O	OTHERS		8A-NF8-206-010		HLDR, PWB M	LHSFD	CX-NSZ500
! O	OTHERS		8A-NF8-206-010	0E	HLDR, PWB M	USFD	CX-NAJ500
! O	OTHERS		8A-NF8-206-010	0E	HLDR, PWB M	USFD	CX-NAJ503
! O	OTHERS		8A-NF8-206-010	0E	HLDR, PWB M	EZSFD	CX-NSZ500
O	OTHERS		8A-NF8-281-010		SPR-T, EJECT 1	LHSFD	CX-NSZ500
O	OTHERS		8A-NF8-281-010	0E	SPR-T, EJECT 1	USFD	CX-NAJ500
O	OTHERS		8A-NF8-281-010	0E	SPR-T, EJECT 1	USFD	CX-NAJ503
O	OTHERS		8A-NF8-281-010	0E	SPR-T, EJECT 1	EZSFD	CX-NSZ500
O	OTHERS		8A-NF8-282-010		SPR-T, EJECT 2	LHSFD	CX-NSZ500
O	OTHERS		8A-NF8-282-010	0E	SPR-T, EJECT 2	USFD	CX-NAJ500
O	OTHERS		8A-NF8-282-010	0E	SPR-T, EJECT 2	USFD	CX-NAJ503
O	OTHERS		8A-NF8-282-010	0E	SPR-T, EJECT 2	EZSFD	CX-NSZ500
! O	OTHERS		8A-NF9-211-010	0E	HLDR, PWB PT HI	USFD	CX-NAJ500
! O	OTHERS		8A-NF9-211-010	0E	HLDR, PWB PT HI	EZSFD	CX-NSZ500
X	OTHERS		8B-NF9-204-010		CUSH, 11-8.5-2	LHSFD	CX-NSZ500
X	OTHERS		8B-NF9-204-010	0E	CUSH, 11-8.5-2	USFD	CX-NAJ500
X	OTHERS		8B-NF9-204-010	0E	CUSH, 11-8.5-2	USFD	CX-NAJ503
X	OTHERS		8B-NF9-204-010	0E	CUSH, 11-8.5-2	EZSFD	CX-NSZ500
O	OTHERS		8B-NF9-211-010		HLDR, TR S	LHSFD	CX-NSZ500
O	OTHERS		8B-NF9-211-010	1B	HLDR, TR S	USFD	CX-NAJ500
O	OTHERS		8B-NF9-211-010	1B	HLDR, TR S	USFD	CX-NAJ503
O	OTHERS		8B-NF9-211-010	1B	HLDR, TR S	EZSFD	CX-NSZ500
X	OTHERS		8B-NFK-203-010		HT-SINK, U	LHSFD	CX-NSZ500
X	OTHERS		8B-NFK-203-010	1E	HT-SINK, U	USFD	CX-NAJ500
X	OTHERS		8B-NFK-203-010	1E	HT-SINK, U	USFD	CX-NAJ503
X	OTHERS		8B-NFK-203-010	1E	HT-SINK, U	EZSFD	CX-NSZ500
X	OTHERS		8B-NFK-210-010		SH, TR VM	LHSFD	CX-NSZ500
X	OTHERS		8B-NFK-210-010	0E	SH, TR VM	USFD	CX-NAJ500
X	OTHERS		8B-NFK-210-010	0E	SH, TR VM	USFD	CX-NAJ503
X	OTHERS		8B-NFK-210-010	0E	SH, TR VM	EZSFD	CX-NSZ500
X	OTHERS		8B-NFK-211-010		HT-SINK, ASSY U1	LHSFD	CX-NSZ500
X	OTHERS		8B-NFK-211-010	1F	HT-SINK, ASSY U1	USFD	CX-NAJ500
X	OTHERS		8B-NFK-217-010	1H	HT-SINK, ASSY RU	USFD	CX-NAJ503
! O	OTHERS		8Z-NF6-210-010		DMPR, 150 N	LHSFD	CX-NSZ500
! O	OTHERS		8Z-NF6-210-010	0E	DMPR, 150 N	USFD	CX-NAJ500
! O	OTHERS		8Z-NF6-210-010	0E	DMPR, 150 N	USFD	CX-NAJ503
! O	OTHERS		8Z-NF6-210-010	0E	DMPR, 150 N	EZSFD	CX-NSZ500
X	P-SUPPLY/PWB/FAN	*	8B-NF9-650-010	--	PWB, COMB MAIN -IND	USFD	CX-NAJ500
X	P-SUPPLY/PWB/FAN	*	8B-NF9-650-010	--	PWB, COMB MAIN -IND	USFD	CX-NAJ503
X	P-SUPPLY/PWB/FAN	*	8B-NF9-650-010	--	PWB, COMB MAIN -IND	EZSFD	CX-NSZ500
X	P-SUPPLY/PWB/FAN	*	8B-NF9-651-010	--	PWB, MAIN-IND	USFD	CX-NAJ500
X	P-SUPPLY/PWB/FAN	*	8B-NF9-651-010	--	PWB, MAIN-IND	USFD	CX-NAJ503
X	P-SUPPLY/PWB/FAN	*	8B-NF9-651-010	--	PWB, MAIN-IND	EZSFD	CX-NSZ500
X	P-SUPPLY/PWB/FAN	*	8B-NF9-652-010	--	PWB, PT-IND	USFD	CX-NAJ500
X	P-SUPPLY/PWB/FAN	*	8B-NF9-652-010	--	PWB, PT-IND	EZSFD	CX-NSZ500
O	P-SUPPLY/PWB/FAN	C 0003	87-012-368-080		C-CAP, S 0.1-50 Z F	LHSFD	CX-NSZ500
O	P-SUPPLY/PWB/FAN	C 0003	87-012-368-080	0E	C-CAP, S 0.1-50 Z F	USFD	CX-NAJ500
O	P-SUPPLY/PWB/FAN	C 0003	87-012-368-080	0E	C-CAP, S 0.1-50 Z F	USFD	CX-NAJ503
O	P-SUPPLY/PWB/FAN	C 0003	87-012-368-080	0E	C-CAP, S 0.1-50 Z F	EZSFD	CX-NSZ500
O	P-SUPPLY/PWB/FAN	C 0004	87-012-368-080		C-CAP, S 0.1-50 Z F	LHSFD	CX-NSZ500
O	P-SUPPLY/PWB/FAN	C 0004	87-012-368-080	0E	C-CAP, S 0.1-50 Z F	USFD	CX-NAJ500
O	P-SUPPLY/PWB/FAN	C 0004	87-012-368-080	0E	C-CAP, S 0.1-50 Z F	USFD	CX-NAJ503
O	P-SUPPLY/PWB/FAN	C 0004	87-012-368-080	0E	C-CAP, S 0.1-50 Z F	EZSFD	CX-NSZ500
O	P-SUPPLY/PWB/FAN	C 0005	87-012-368-080		C-CAP, S 0.1-50 Z F	LHSFD	CX-NSZ500
O	P-SUPPLY/PWB/FAN	C 0005	87-012-368-080	0E	C-CAP, S 0.1-50 Z F	USFD	CX-NAJ500
O	P-SUPPLY/PWB/FAN	C 0005	87-012-368-080	0E	C-CAP, S 0.1-50 Z F	USFD	CX-NAJ503
O	P-SUPPLY/PWB/FAN	C 0005	87-012-368-080	0E	C-CAP, S 0.1-50 Z F	EZSFD	CX-NSZ500
O	P-SUPPLY/PWB/FAN	C 0006	87-012-368-080		C-CAP, S 0.1-50 Z F	LHSFD	CX-NSZ500
O	P-SUPPLY/PWB/FAN	C 0006	87-012-368-080	0E	C-CAP, S 0.1-50 Z F	USFD	CX-NAJ500
O	P-SUPPLY/PWB/FAN	C 0006	87-012-368-080	0E	C-CAP, S 0.1-50 Z F	USFD	CX-NAJ503
O	P-SUPPLY/PWB/FAN	C 0006	87-012-368-080	0E	C-CAP, S 0.1-50 Z F	EZSFD	CX-NSZ500
O	P-SUPPLY/PWB/FAN	C 0009	87-010-759-080		C-CAP, U 0.1-25 Z F	LHSFD	CX-NSZ500
O	P-SUPPLY/PWB/FAN	C 0009	87-010-759-080	0E	C-CAP, U 0.1-25 Z F	USFD	CX-NAJ500
O	P-SUPPLY/PWB/FAN	C 0009	87-010-759-080	0E	C-CAP, U 0.1-25 Z F	USFD	CX-NAJ503
O	P-SUPPLY/PWB/FAN	C 0009	87-010-759-080	0E	C-CAP, U 0.1-25 Z F	EZSFD	CX-NSZ500
O	P-SUPPLY/PWB/FAN	C 0010	87-010-759-080		C-CAP, U 0.1-25 Z F	LHSFD	CX-NSZ500
O	P-SUPPLY/PWB/FAN	C 0010	87-010-759-080	0E	C-CAP, U 0.1-25 Z F	USFD	CX-NAJ500
O	P-SUPPLY/PWB/FAN	C 0010	87-010-759-080	0E	C-CAP, U 0.1-25 Z F	USFD	CX-NAJ503
O	P-SUPPLY/PWB/FAN	C 0010	87-010-759-080	0E	C-CAP, U 0.1-25 Z F	EZSFD	CX-NSZ500

PARTS LIST

! = Δ SAFTY PARTS
 C = Components marked

All components used on this model at the production line are shown in this service manual.

However, please note that not all components will be available as spare parts for after-sales service.

Components marked S and O are designated as spare parts for service and will be stocked at the spare parts centers.

Components marked X and R are not designated as spare parts for after sales service, and will not be stocked at the spare parts centers.

K NO. = Only use Japanese.

! C	UNIT NAME	REF NO.	PARTS CODE	K NO.	DESCRIPTION	SUFFIX	MODEL NAME
O	P-SUPPLY/PWB/FAN	C 0011	87-010-759-080		C-CAP,U 0.1-25 Z F	LHSFD	CX-NSZ500
O	P-SUPPLY/PWB/FAN	C 0011	87-010-759-080	0E	C-CAP,U 0.1-25 Z F	USFD	CX-NAJ500
O	P-SUPPLY/PWB/FAN	C 0011	87-010-759-080	0E	C-CAP,U 0.1-25 Z F	USFD	CX-NAJ503
O	P-SUPPLY/PWB/FAN	C 0011	87-010-759-080	0E	C-CAP,U 0.1-25 Z F	EZSFD	CX-NSZ500
O	P-SUPPLY/PWB/FAN	C 0012	87-010-759-080		C-CAP,U 0.1-25 Z F	LHSFD	CX-NSZ500
O	P-SUPPLY/PWB/FAN	C 0012	87-010-759-080	0E	C-CAP,U 0.1-25 Z F	USFD	CX-NAJ500
O	P-SUPPLY/PWB/FAN	C 0012	87-010-759-080	0E	C-CAP,U 0.1-25 Z F	USFD	CX-NAJ503
O	P-SUPPLY/PWB/FAN	C 0012	87-010-759-080	0E	C-CAP,U 0.1-25 Z F	EZSFD	CX-NSZ500
O	P-SUPPLY/PWB/FAN	C 0019	87-A12-382-000		CAP,E 2200-63 M 85 IV LELON	LHSFD	CX-NSZ500
O	P-SUPPLY/PWB/FAN	C 0019	87-A12-382-000	1B	CAP,E 2200-63 M 85 IV LELON	USFD	CX-NAJ500
O	P-SUPPLY/PWB/FAN	C 0019	87-A12-382-000	1B	CAP,E 2200-63 M 85 IV LELON	EZSFD	CX-NSZ500
O	P-SUPPLY/PWB/FAN	C 0019	87-A12-776-090	1B	CAP,E 2200-50 M 85 SKR	USFD	CX-NAJ503
O	P-SUPPLY/PWB/FAN	C 0020	87-A12-382-000		CAP,E 2200-63 M 85 IV LELON	LHSFD	CX-NSZ500
O	P-SUPPLY/PWB/FAN	C 0020	87-A12-382-000	1B	CAP,E 2200-63 M 85 IV LELON	USFD	CX-NAJ500
O	P-SUPPLY/PWB/FAN	C 0020	87-A12-382-000	1B	CAP,E 2200-63 M 85 IV LELON	EZSFD	CX-NSZ500
O	P-SUPPLY/PWB/FAN	C 0020	87-A12-776-090	1B	CAP,E 2200-50 M 85 SKR	USFD	CX-NAJ503
O	P-SUPPLY/PWB/FAN	C 0021	87-A12-777-090	1A	CAP,E 3300-25 M 85 SKR	USFD	CX-NAJ500
O	P-SUPPLY/PWB/FAN	C 0021	87-A12-778-090		CAP,E 3300-35 M 85 SKR	LHSFD	CX-NSZ500
O	P-SUPPLY/PWB/FAN	C 0021	87-A12-778-090	1A	CAP,E 3300-35 M 85 SKR	USFD	CX-NAJ503
O	P-SUPPLY/PWB/FAN	C 0021	87-A12-778-090	1A	CAP,E 3300-35 M 85 SKR	EZSFD	CX-NSZ500
O	P-SUPPLY/PWB/FAN	C 0022	87-A12-778-090		CAP,E 3300-35 M 85 SKR	LHSFD	CX-NSZ500
O	P-SUPPLY/PWB/FAN	C 0022	87-A12-778-090	1A	CAP,E 3300-35 M 85 SKR	USFD	CX-NAJ500
O	P-SUPPLY/PWB/FAN	C 0022	87-A12-778-090	1A	CAP,E 3300-35 M 85 SKR	USFD	CX-NAJ503
O	P-SUPPLY/PWB/FAN	C 0022	87-A12-778-090	1A	CAP,E 3300-35 M 85 SKR	EZSFD	CX-NSZ500
O	P-SUPPLY/PWB/FAN	C 0025	87-A12-072-080	0E	CAP,E 100-25 SMG	USFD	CX-NAJ500
O	P-SUPPLY/PWB/FAN	C 0025	87-A12-072-080	0E	CAP,E 100-25 SMG	USFD	CX-NAJ503
O	P-SUPPLY/PWB/FAN	C 0025	87-A12-072-080	0E	CAP,E 100-25 SMG	EZSFD	CX-NSZ500
O	P-SUPPLY/PWB/FAN	C 0026	87-A12-072-080	0E	CAP,E 100-25 SMG	USFD	CX-NAJ500
O	P-SUPPLY/PWB/FAN	C 0026	87-A12-072-080	0E	CAP,E 100-25 SMG	USFD	CX-NAJ503
O	P-SUPPLY/PWB/FAN	C 0026	87-A12-072-080	0E	CAP,E 100-25 SMG	EZSFD	CX-NSZ500
O	P-SUPPLY/PWB/FAN	C 0027	87-A12-072-080	0E	CAP,E 100-25 SMG	USFD	CX-NAJ500
O	P-SUPPLY/PWB/FAN	C 0027	87-A12-072-080	0E	CAP,E 100-25 SMG	USFD	CX-NAJ503
O	P-SUPPLY/PWB/FAN	C 0027	87-A12-072-080	0E	CAP,E 100-25 SMG	EZSFD	CX-NSZ500
O	P-SUPPLY/PWB/FAN	C 0028	87-A12-072-080	0E	CAP,E 100-25 SMG	USFD	CX-NAJ500
O	P-SUPPLY/PWB/FAN	C 0028	87-A12-072-080	0E	CAP,E 100-25 SMG	USFD	CX-NAJ503
O	P-SUPPLY/PWB/FAN	C 0028	87-A12-072-080	0E	CAP,E 100-25 SMG	EZSFD	CX-NSZ500
O	P-SUPPLY/PWB/FAN	C 0030	87-010-430-080	0E	CAP,E 100-63	USFD	CX-NAJ503
O	P-SUPPLY/PWB/FAN	C 0030	87-A12-095-080	0E	CAP,E 100-50 SMG	USFD	CX-NAJ500
O	P-SUPPLY/PWB/FAN	C 0030	87-A12-095-080	0E	CAP,E 100-50 SMG	EZSFD	CX-NSZ500
O	P-SUPPLY/PWB/FAN	C 0031	87-A12-062-080	0E	CAP,E 100-10 SMG	USFD	CX-NAJ500
O	P-SUPPLY/PWB/FAN	C 0031	87-A12-062-080	0E	CAP,E 100-10 SMG	EZSFD	CX-NSZ500
O	P-SUPPLY/PWB/FAN	C 0031	87-A12-091-080		CAP,E 10-50 SMG	LHSFD	CX-NSZ500
O	P-SUPPLY/PWB/FAN	C 0032	87-012-286-080		C-CAP,U 0.01-25 K B	LHSFD	CX-NSZ500
O	P-SUPPLY/PWB/FAN	C 0032	87-012-286-080	0E	C-CAP,U 0.01-25 K B	USFD	CX-NAJ500
O	P-SUPPLY/PWB/FAN	C 0032	87-012-286-080	0E	C-CAP,U 0.01-25 K B	USFD	CX-NAJ503
O	P-SUPPLY/PWB/FAN	C 0032	87-012-286-080	0E	C-CAP,U 0.01-25 K B	EZSFD	CX-NSZ500
O	P-SUPPLY/PWB/FAN	C 0033	87-A12-062-080	0E	CAP,E 100-10 SMG	USFD	CX-NAJ500
O	P-SUPPLY/PWB/FAN	C 0033	87-A12-062-080	0E	CAP,E 100-10 SMG	USFD	CX-NAJ503
O	P-SUPPLY/PWB/FAN	C 0034	87-A12-072-080		CAP,E 100-25 SMG	LHSFD	CX-NSZ500
O	P-SUPPLY/PWB/FAN	C 0034	87-A12-072-080	0E	CAP,E 100-25 SMG	USFD	CX-NAJ500
O	P-SUPPLY/PWB/FAN	C 0034	87-A12-072-080	0E	CAP,E 100-25 SMG	USFD	CX-NAJ503
O	P-SUPPLY/PWB/FAN	C 0034	87-A12-072-080	0E	CAP,E 100-25 SMG	EZSFD	CX-NSZ500
O	P-SUPPLY/PWB/FAN	C 0035	87-A12-071-080		CAP,E 47-25 SMG	LHSFD	CX-NSZ500
O	P-SUPPLY/PWB/FAN	C 0035	87-A12-071-080	0E	CAP,E 47-25 SMG	USFD	CX-NAJ500
O	P-SUPPLY/PWB/FAN	C 0035	87-A12-071-080	0E	CAP,E 47-25 SMG	USFD	CX-NAJ503
O	P-SUPPLY/PWB/FAN	C 0035	87-A12-071-080	0E	CAP,E 47-25 SMG	EZSFD	CX-NSZ500
O	P-SUPPLY/PWB/FAN	C 0036	87-A12-067-080		CAP,E 330-16 SMG	LHSFD	CX-NSZ500
O	P-SUPPLY/PWB/FAN	C 0036	87-A12-067-080	0E	CAP,E 330-16 SMG	USFD	CX-NAJ500
O	P-SUPPLY/PWB/FAN	C 0036	87-A12-067-080	0E	CAP,E 330-16 SMG	USFD	CX-NAJ503
O	P-SUPPLY/PWB/FAN	C 0036	87-A12-067-080	0E	CAP,E 330-16 SMG	EZSFD	CX-NSZ500
O	P-SUPPLY/PWB/FAN	C 0038	87-012-286-080		C-CAP,U 0.01-25 K B	LHSFD	CX-NSZ500
O	P-SUPPLY/PWB/FAN	C 0038	87-012-286-080	0E	C-CAP,U 0.01-25 K B	USFD	CX-NAJ500
O	P-SUPPLY/PWB/FAN	C 0038	87-012-286-080	0E	C-CAP,U 0.01-25 K B	USFD	CX-NAJ503
O	P-SUPPLY/PWB/FAN	C 0038	87-012-286-080	0E	C-CAP,U 0.01-25 K B	EZSFD	CX-NSZ500
O	P-SUPPLY/PWB/FAN	C 0060	87-A12-089-080		CAP,E 3.3-50 SMG	LHSFD	CX-NSZ500
O	P-SUPPLY/PWB/FAN	C 0060	87-A12-089-080	0E	CAP,E 3.3-50 SMG	USFD	CX-NAJ500
O	P-SUPPLY/PWB/FAN	C 0060	87-A12-089-080	0E	CAP,E 3.3-50 SMG	USFD	CX-NAJ503
O	P-SUPPLY/PWB/FAN	C 0060	87-A12-089-080	0E	CAP,E 3.3-50 SMG	EZSFD	CX-NSZ500
O	P-SUPPLY/PWB/FAN	C 0061	87-A12-071-080		CAP,E 47-25 SMG	LHSFD	CX-NSZ500

PARTS LIST

! = Δ SAFTY PARTS
 C = Components marked

All components used on this model at the production line are shown in this service manual.

However, please note that not all components will be available as spare parts for after-sales service.

Components marked S and O are designated as spare parts for service and will be stocked at the spare parts centers.

Components marked X and R are not designated as spare parts for after sales service, and will not be stocked at the spare parts centers.

K NO. = Only use Japanese.

! C	UNIT NAME	REF NO.	PARTS CODE	K NO.	DESCRIPTION	SUFFIX	MODEL NAME
O	P-SUPPLY/PWB/FAN	C 0061	87-A12-071-080	0E	CAP,E 47-25 SMG	USFD	CX-NAJ500
O	P-SUPPLY/PWB/FAN	C 0061	87-A12-071-080	0E	CAP,E 47-25 SMG	USFD	CX-NAJ503
O	P-SUPPLY/PWB/FAN	C 0061	87-A12-071-080	0E	CAP,E 47-25 SMG	EZSFD	CX-NSZ500
O	P-SUPPLY/PWB/FAN	C 0083	87-A12-068-080	0E	CAP,E 470-16 SMG	EZSFD	CX-NSZ500
O	P-SUPPLY/PWB/FAN	C 0083	87-A12-074-080	0E	CAP,E 470-25 SMG	LHSFD	CX-NSZ500
O	P-SUPPLY/PWB/FAN	C 0083	87-A12-074-080	0E	CAP,E 470-25 SMG	USFD	CX-NAJ500
O	P-SUPPLY/PWB/FAN	C 0083	87-A12-074-080	0E	CAP,E 470-25 SMG	USFD	CX-NAJ503
O	P-SUPPLY/PWB/FAN	C 0097	87-010-831-080	0E	C-CAP,U 0.1-16 Z F	LHSFD	CX-NSZ500
O	P-SUPPLY/PWB/FAN	C 0097	87-010-831-080	0E	C-CAP,U 0.1-16 Z F	USFD	CX-NAJ500
O	P-SUPPLY/PWB/FAN	C 0097	87-010-831-080	0E	C-CAP,U 0.1-16 Z F	USFD	CX-NAJ503
O	P-SUPPLY/PWB/FAN	C 0097	87-010-831-080	0E	C-CAP,U 0.1-16 Z F	EZSFD	CX-NSZ500
!	O P-SUPPLY/PWB/FAN	CNA0001	8A-NF8-653-010		CONN ASSY, 9P TID-A (480)	LHSFD	CX-NSZ500
!	O P-SUPPLY/PWB/FAN	CNA0001	8A-NF8-653-010	1B	CONN ASSY, 9P TID-A (480)	USFD	CX-NAJ503
S	P-SUPPLY/PWB/FAN	D 0001	87-A40-393-090	0E	DIODE, 1N5402GW (F20)	LHSFD	CX-NSZ500
S	P-SUPPLY/PWB/FAN	D 0001	87-A40-393-090	0E	DIODE, 1N5402GW (F20)	USFD	CX-NAJ500
S	P-SUPPLY/PWB/FAN	D 0001	87-A40-393-090	0E	DIODE, 1N5402GW (F20)	USFD	CX-NAJ503
S	P-SUPPLY/PWB/FAN	D 0002	87-A40-393-090	0E	DIODE, 1N5402GW (F20)	LHSFD	CX-NSZ500
S	P-SUPPLY/PWB/FAN	D 0002	87-A40-393-090	0E	DIODE, 1N5402GW (F20)	USFD	CX-NAJ500
S	P-SUPPLY/PWB/FAN	D 0002	87-A40-393-090	0E	DIODE, 1N5402GW (F20)	USFD	CX-NAJ503
S	P-SUPPLY/PWB/FAN	D 0003	87-A40-393-090	0E	DIODE, 1N5402GW (F20)	LHSFD	CX-NSZ500
S	P-SUPPLY/PWB/FAN	D 0003	87-A40-393-090	0E	DIODE, 1N5402GW (F20)	USFD	CX-NAJ500
S	P-SUPPLY/PWB/FAN	D 0004	87-A40-393-090	0E	DIODE, 1N5402GW (F20)	LHSFD	CX-NSZ500
S	P-SUPPLY/PWB/FAN	D 0004	87-A40-393-090	0E	DIODE, 1N5402GW (F20)	USFD	CX-NAJ500
S	P-SUPPLY/PWB/FAN	D 0004	87-A40-393-090	0E	DIODE, 1N5402GW (F20)	USFD	CX-NAJ503
S	P-SUPPLY/PWB/FAN	D 0005	87-A40-393-090	0E	DIODE, 1N5402GW (F20)	LHSFD	CX-NSZ500
S	P-SUPPLY/PWB/FAN	D 0005	87-A40-393-090	0E	DIODE, 1N5402GW (F20)	USFD	CX-NAJ500
S	P-SUPPLY/PWB/FAN	D 0005	87-A40-393-090	0E	DIODE, 1N5402GW (F20)	USFD	CX-NAJ503
S	P-SUPPLY/PWB/FAN	D 0006	87-A40-393-090	0E	DIODE, 1N5402GW (F20)	LHSFD	CX-NSZ500
S	P-SUPPLY/PWB/FAN	D 0006	87-A40-393-090	0E	DIODE, 1N5402GW (F20)	USFD	CX-NAJ500
S	P-SUPPLY/PWB/FAN	D 0006	87-A40-393-090	0E	DIODE, 1N5402GW (F20)	USFD	CX-NAJ503
S	P-SUPPLY/PWB/FAN	D 0007	87-A40-393-090	0E	DIODE, 1N5402GW (F20)	LHSFD	CX-NSZ500
S	P-SUPPLY/PWB/FAN	D 0007	87-A40-393-090	0E	DIODE, 1N5402GW (F20)	USFD	CX-NAJ500
S	P-SUPPLY/PWB/FAN	D 0007	87-A40-393-090	0E	DIODE, 1N5402GW (F20)	USFD	CX-NAJ503
S	P-SUPPLY/PWB/FAN	D 0008	87-A40-393-090	0E	DIODE, 1N5402GW (F20)	LHSFD	CX-NSZ500
S	P-SUPPLY/PWB/FAN	D 0008	87-A40-393-090	0E	DIODE, 1N5402GW (F20)	USFD	CX-NAJ500
S	P-SUPPLY/PWB/FAN	D 0008	87-A40-393-090	0E	DIODE, 1N5402GW (F20)	USFD	CX-NAJ503
S	P-SUPPLY/PWB/FAN	D 0013	87-A40-455-090	0E	DIODE, RL203 GW	EZSFD	CX-NSZ500
S	P-SUPPLY/PWB/FAN	D 0014	87-A40-455-090	0E	DIODE, RL203 GW	EZSFD	CX-NSZ500
S	P-SUPPLY/PWB/FAN	D 0015	87-A40-455-090	0E	DIODE, RL203 GW	EZSFD	CX-NSZ500
S	P-SUPPLY/PWB/FAN	D 0016	87-A40-455-090	0E	DIODE, RL203 GW	EZSFD	CX-NSZ500
S	P-SUPPLY/PWB/FAN	D 0017	87-A40-454-090	0E	DIODE, 1N5393 GW 12.5	EZSFD	CX-NSZ500
S	P-SUPPLY/PWB/FAN	D 0018	87-A40-454-090	0E	DIODE, 1N5393 GW 12.5	EZSFD	CX-NSZ500
S	P-SUPPLY/PWB/FAN	D 0019	87-A40-454-090	0E	DIODE, 1N5393 GW 12.5	EZSFD	CX-NSZ500
S	P-SUPPLY/PWB/FAN	D 0020	87-A40-454-090	0E	DIODE, 1N5393 GW 12.5	EZSFD	CX-NSZ500
S	P-SUPPLY/PWB/FAN	D 0025	87-A40-553-080	0E	DIODE, 1N4003 LES	USFD	CX-NAJ500
S	P-SUPPLY/PWB/FAN	D 0025	87-A40-553-080	0E	DIODE, 1N4003 LES	USFD	CX-NAJ503
S	P-SUPPLY/PWB/FAN	D 0025	87-A40-553-080	0E	DIODE, 1N4003 LES	EZSFD	CX-NSZ500
S	P-SUPPLY/PWB/FAN	D 0026	87-A40-553-080	0E	DIODE, 1N4003 LES	USFD	CX-NAJ500
S	P-SUPPLY/PWB/FAN	D 0026	87-A40-553-080	0E	DIODE, 1N4003 LES	USFD	CX-NAJ503
S	P-SUPPLY/PWB/FAN	D 0026	87-A40-553-080	0E	DIODE, 1N4003 LES	EZSFD	CX-NSZ500
S	P-SUPPLY/PWB/FAN	D 0027	87-A40-553-080	0E	DIODE, 1N4003 LES	USFD	CX-NAJ500
S	P-SUPPLY/PWB/FAN	D 0027	87-A40-553-080	0E	DIODE, 1N4003 LES	USFD	CX-NAJ503
S	P-SUPPLY/PWB/FAN	D 0027	87-A40-553-080	0E	DIODE, 1N4003 LES	EZSFD	CX-NSZ500
S	P-SUPPLY/PWB/FAN	D 0028	87-A40-553-080	0E	DIODE, 1N4003 LES	USFD	CX-NAJ500
S	P-SUPPLY/PWB/FAN	D 0028	87-A40-553-080	0E	DIODE, 1N4003 LES	USFD	CX-NAJ503
S	P-SUPPLY/PWB/FAN	D 0028	87-A40-553-080	0E	DIODE, 1N4003 LES	EZSFD	CX-NSZ500
S	P-SUPPLY/PWB/FAN	D 0029	87-A40-776-080	0E	ZENER, UZ27BSD	LHSFD	CX-NSZ500
S	P-SUPPLY/PWB/FAN	D 0029	87-A40-776-080	0E	ZENER, UZ27BSD	USFD	CX-NAJ500
S	P-SUPPLY/PWB/FAN	D 0029	87-A40-776-080	0E	ZENER, UZ27BSD	USFD	CX-NAJ503
S	P-SUPPLY/PWB/FAN	D 0029	87-A40-776-080	0E	ZENER, UZ27BSD	EZSFD	CX-NSZ500
S	P-SUPPLY/PWB/FAN	D 0030	87-A40-291-080	0E	DIODE, 1N4148M (CPT)	LHSFD	CX-NSZ500
S	P-SUPPLY/PWB/FAN	D 0030	87-A40-291-080	0E	DIODE, 1N4148M (CPT)	USFD	CX-NAJ500
S	P-SUPPLY/PWB/FAN	D 0030	87-A40-291-080	0E	DIODE, 1N4148M (CPT)	USFD	CX-NAJ503
S	P-SUPPLY/PWB/FAN	D 0030	87-A40-291-080	0E	DIODE, 1N4148M (CPT)	EZSFD	CX-NSZ500
S	P-SUPPLY/PWB/FAN	D 0031	87-A40-764-080	0E	ZENER, UZ10BSC	LHSFD	CX-NSZ500
S	P-SUPPLY/PWB/FAN	D 0031	87-A40-764-080	0E	ZENER, UZ10BSC	USFD	CX-NAJ500
S	P-SUPPLY/PWB/FAN	D 0031	87-A40-764-080	0E	ZENER, UZ10BSC	USFD	CX-NAJ503
S	P-SUPPLY/PWB/FAN	D 0031	87-A40-764-080	0E	ZENER, UZ10BSC	EZSFD	CX-NSZ500
S	P-SUPPLY/PWB/FAN	D 0033	87-A40-553-080	0E	DIODE, 1N4003 LES	LHSFD	CX-NSZ500

PARTS LIST

! = Δ SAFTY PARTS
 C = Components marked

All components used on this model at the production line are shown in this service manual.

However, please note that not all components will be available as spare parts for after-sales service.

Components marked S and O are designated as spare parts for service and will be stocked at the spare parts centers.

Components marked X and R are not designated as spare parts for after sales service, and will not be stocked at the spare parts centers.

K NO. = Only use Japanese.

! C	UNIT NAME	REF NO.	PARTS CODE	K NO.	DESCRIPTION	SUFFIX	MODEL NAME
S	P-SUPPLY/PWB/FAN	D 0033	87-A40-553-080	0E	DIODE,1N4003 LES	USFD	CX-NAJ500
S	P-SUPPLY/PWB/FAN	D 0033	87-A40-553-080	0E	DIODE,1N4003 LES	USFD	CX-NAJ503
S	P-SUPPLY/PWB/FAN	D 0033	87-A40-553-080	0E	DIODE,1N4003 LES	EZSFD	CX-NSZ500
S	P-SUPPLY/PWB/FAN	D 0034	87-A40-291-080		DIODE,1N4148M (CPT)	LHSFD	CX-NSZ500
S	P-SUPPLY/PWB/FAN	D 0034	87-A40-291-080	0E	DIODE,1N4148M (CPT)	USFD	CX-NAJ500
S	P-SUPPLY/PWB/FAN	D 0034	87-A40-291-080	0E	DIODE,1N4148M (CPT)	USFD	CX-NAJ503
S	P-SUPPLY/PWB/FAN	D 0034	87-A40-291-080	0E	DIODE,1N4148M (CPT)	EZSFD	CX-NSZ500
S	P-SUPPLY/PWB/FAN	D 0035	87-A40-291-080		DIODE,1N4148M (CPT)	LHSFD	CX-NSZ500
S	P-SUPPLY/PWB/FAN	D 0035	87-A40-291-080	0E	DIODE,1N4148M (CPT)	USFD	CX-NAJ500
S	P-SUPPLY/PWB/FAN	D 0035	87-A40-291-080	0E	DIODE,1N4148M (CPT)	USFD	CX-NAJ503
S	P-SUPPLY/PWB/FAN	D 0035	87-A40-291-080	0E	DIODE,1N4148M (CPT)	EZSFD	CX-NSZ500
S	P-SUPPLY/PWB/FAN	D 0041	87-A40-270-080	0E	C-DIODE,MC2838	LHSFD	CX-NSZ500
S	P-SUPPLY/PWB/FAN	D 0041	87-A40-270-080	0E	C-DIODE,MC2838	USFD	CX-NAJ500
S	P-SUPPLY/PWB/FAN	D 0041	87-A40-270-080	0E	C-DIODE,MC2838	USFD	CX-NAJ503
S	P-SUPPLY/PWB/FAN	D 0041	87-A40-270-080	0E	C-DIODE,MC2838	EZSFD	CX-NSZ500
S	P-SUPPLY/PWB/FAN	D 0042	87-A40-269-080		C-DIODE,MC2836	LHSFD	CX-NSZ500
S	P-SUPPLY/PWB/FAN	D 0042	87-A40-269-080	0E	C-DIODE,MC2836	USFD	CX-NAJ500
S	P-SUPPLY/PWB/FAN	D 0042	87-A40-269-080	0E	C-DIODE,MC2836	USFD	CX-NAJ503
S	P-SUPPLY/PWB/FAN	D 0042	87-A40-269-080	0E	C-DIODE,MC2836	EZSFD	CX-NSZ500
S	P-SUPPLY/PWB/FAN	D 0060	87-A40-291-080		DIODE,1N4148M (CPT)	LHSFD	CX-NSZ500
S	P-SUPPLY/PWB/FAN	D 0060	87-A40-291-080	0E	DIODE,1N4148M (CPT)	USFD	CX-NAJ500
S	P-SUPPLY/PWB/FAN	D 0060	87-A40-291-080	0E	DIODE,1N4148M (CPT)	USFD	CX-NAJ503
S	P-SUPPLY/PWB/FAN	D 0060	87-A40-291-080	0E	DIODE,1N4148M (CPT)	EZSFD	CX-NSZ500
S	P-SUPPLY/PWB/FAN	D 0062	87-A40-270-080		C-DIODE,MC2838	LHSFD	CX-NSZ500
S	P-SUPPLY/PWB/FAN	D 0062	87-A40-270-080	0E	C-DIODE,MC2838	USFD	CX-NAJ500
S	P-SUPPLY/PWB/FAN	D 0062	87-A40-270-080	0E	C-DIODE,MC2838	USFD	CX-NAJ503
S	P-SUPPLY/PWB/FAN	D 0062	87-A40-270-080	0E	C-DIODE,MC2838	EZSFD	CX-NSZ500
S	P-SUPPLY/PWB/FAN	D 0063	87-A40-270-080		C-DIODE,MC2838	LHSFD	CX-NSZ500
S	P-SUPPLY/PWB/FAN	D 0063	87-A40-270-080	0E	C-DIODE,MC2838	USFD	CX-NAJ500
S	P-SUPPLY/PWB/FAN	D 0063	87-A40-270-080	0E	C-DIODE,MC2838	USFD	CX-NAJ503
S	P-SUPPLY/PWB/FAN	D 0063	87-A40-270-080	0E	C-DIODE,MC2838	EZSFD	CX-NSZ500
S	P-SUPPLY/PWB/FAN	D 0064	87-A40-269-080		C-DIODE,MC2836	LHSFD	CX-NSZ500
S	P-SUPPLY/PWB/FAN	D 0064	87-A40-269-080	0E	C-DIODE,MC2836	USFD	CX-NAJ500
S	P-SUPPLY/PWB/FAN	D 0064	87-A40-269-080	0E	C-DIODE,MC2836	USFD	CX-NAJ503
S	P-SUPPLY/PWB/FAN	D 0064	87-A40-269-080	0E	C-DIODE,MC2836	EZSFD	CX-NSZ500
S	P-SUPPLY/PWB/FAN	D 0065	87-A40-269-080		C-DIODE,MC2836	LHSFD	CX-NSZ500
S	P-SUPPLY/PWB/FAN	D 0065	87-A40-269-080	0E	C-DIODE,MC2836	USFD	CX-NAJ500
S	P-SUPPLY/PWB/FAN	D 0065	87-A40-269-080	0E	C-DIODE,MC2836	USFD	CX-NAJ503
S	P-SUPPLY/PWB/FAN	D 0065	87-A40-269-080	0E	C-DIODE,MC2836	EZSFD	CX-NSZ500
S	P-SUPPLY/PWB/FAN	D 0071	87-A40-269-080		C-DIODE,MC2836	LHSFD	CX-NSZ500
S	P-SUPPLY/PWB/FAN	D 0071	87-A40-269-080	0E	C-DIODE,MC2836	USFD	CX-NAJ500
S	P-SUPPLY/PWB/FAN	D 0071	87-A40-269-080	0E	C-DIODE,MC2836	USFD	CX-NAJ503
S	P-SUPPLY/PWB/FAN	D 0071	87-A40-269-080	0E	C-DIODE,MC2836	EZSFD	CX-NSZ500
S	P-SUPPLY/PWB/FAN	D 0072	87-A40-270-080		C-DIODE,MC2838	LHSFD	CX-NSZ500
S	P-SUPPLY/PWB/FAN	D 0072	87-A40-270-080	0E	C-DIODE,MC2838	USFD	CX-NAJ500
S	P-SUPPLY/PWB/FAN	D 0072	87-A40-270-080	0E	C-DIODE,MC2838	USFD	CX-NAJ503
S	P-SUPPLY/PWB/FAN	D 0072	87-A40-270-080	0E	C-DIODE,MC2838	EZSFD	CX-NSZ500
S	P-SUPPLY/PWB/FAN	D 0076	87-A40-269-080		C-DIODE,MC2836	LHSFD	CX-NSZ500
S	P-SUPPLY/PWB/FAN	D 0076	87-A40-269-080	0E	C-DIODE,MC2836	USFD	CX-NAJ500
S	P-SUPPLY/PWB/FAN	D 0076	87-A40-269-080	0E	C-DIODE,MC2836	USFD	CX-NAJ503
S	P-SUPPLY/PWB/FAN	D 0076	87-A40-269-080	0E	C-DIODE,MC2836	EZSFD	CX-NSZ500
S	P-SUPPLY/PWB/FAN	D 0077	87-A40-270-080		C-DIODE,MC2838	LHSFD	CX-NSZ500
S	P-SUPPLY/PWB/FAN	D 0077	87-A40-270-080	0E	C-DIODE,MC2838	USFD	CX-NAJ500
S	P-SUPPLY/PWB/FAN	D 0077	87-A40-270-080	0E	C-DIODE,MC2838	USFD	CX-NAJ503
S	P-SUPPLY/PWB/FAN	D 0077	87-A40-270-080	0E	C-DIODE,MC2838	EZSFD	CX-NSZ500
X	P-SUPPLY/PWB/FAN	JR 0001	88-108-000-080		C-JUMPER,U	LHSFD	CX-NSZ500
X	P-SUPPLY/PWB/FAN	JR 0001	88-108-000-080	0E	C-JUMPER,U	USFD	CX-NAJ500
X	P-SUPPLY/PWB/FAN	JR 0001	88-108-000-080	0E	C-JUMPER,U	USFD	CX-NAJ503
X	P-SUPPLY/PWB/FAN	JR 0001	88-108-000-080	0E	C-JUMPER,U	EZSFD	CX-NSZ500
X	P-SUPPLY/PWB/FAN	JR 0003	88-108-000-080		C-JUMPER,U	LHSFD	CX-NSZ500
X	P-SUPPLY/PWB/FAN	JR 0003	88-108-000-080	0E	C-JUMPER,U	USFD	CX-NAJ500
X	P-SUPPLY/PWB/FAN	JR 0003	88-108-000-080	0E	C-JUMPER,U	USFD	CX-NAJ503
X	P-SUPPLY/PWB/FAN	JR 0003	88-108-000-080	0E	C-JUMPER,U	EZSFD	CX-NSZ500
X	P-SUPPLY/PWB/FAN	JR 0004	88-108-000-080		C-JUMPER,U	LHSFD	CX-NSZ500
X	P-SUPPLY/PWB/FAN	JR 0004	88-108-000-080	0E	C-JUMPER,U	USFD	CX-NAJ500
X	P-SUPPLY/PWB/FAN	JR 0004	88-108-000-080	0E	C-JUMPER,U	USFD	CX-NAJ503
X	P-SUPPLY/PWB/FAN	JR 0004	88-108-000-080	0E	C-JUMPER,U	EZSFD	CX-NSZ500
X	P-SUPPLY/PWB/FAN	JR 0005	88-108-000-080		C-JUMPER,U	LHSFD	CX-NSZ500
X	P-SUPPLY/PWB/FAN	JR 0005	88-108-000-080	0E	C-JUMPER,U	USFD	CX-NAJ500
X	P-SUPPLY/PWB/FAN	JR 0005	88-108-000-080	0E	C-JUMPER,U	USFD	CX-NAJ503
X	P-SUPPLY/PWB/FAN	JR 0005	88-108-000-080	0E	C-JUMPER,U	EZSFD	CX-NSZ500

PARTS LIST

! = Δ SAFTY PARTS
 C = Components marked

All components used on this model at the production line are shown in this service manual.

However, please note that not all components will be available as spare parts for after-sales service.

Components marked S and O are designated as spare parts for service and will be stocked at the spare parts centers.

Components marked X and R are not designated as spare parts for after sales service, and will not be stocked at the spare parts centers.

K NO. = Only use Japanese.

! C	UNIT NAME	REF NO.	PARTS CODE	K NO.	DESCRIPTION	SUFFIX	MODEL NAME
X	P-SUPPLY/PWB/FAN	JR 0005	88-108-000-080	0E	C-JUMPER, U	EZSFD	CX-NSZ500
X	P-SUPPLY/PWB/FAN	JR 0006	88-129-000-080		C-JUMPER, 3216	LHSFD	CX-NSZ500
X	P-SUPPLY/PWB/FAN	JR 0006	88-129-000-080	0E	C-JUMPER, 3216	USFD	CX-NAJ500
X	P-SUPPLY/PWB/FAN	JR 0006	88-129-000-080	0E	C-JUMPER, 3216	USFD	CX-NAJ503
X	P-SUPPLY/PWB/FAN	JR 0006	88-129-000-080	0E	C-JUMPER, 3216	EZSFD	CX-NSZ500
X	P-SUPPLY/PWB/FAN	JR 0023	88-128-390-080	0E	C-RES, 39-1/8W J	USFD	CX-NAJ500
X	P-SUPPLY/PWB/FAN	JR 0023	88-128-680-080		C-RES, 68-1/8W J	LHSFD	CX-NSZ500
X	P-SUPPLY/PWB/FAN	JR 0023	88-128-680-080	0E	C-RES, 68-1/8W J	USFD	CX-NAJ503
X	P-SUPPLY/PWB/FAN	JR 0023	88-128-680-080	0E	C-RES, 68-1/8W J	EZSFD	CX-NSZ500
X	P-SUPPLY/PWB/FAN	JR 0024	88-128-390-080	0E	C-RES, 39-1/8W J	USFD	CX-NAJ500
X	P-SUPPLY/PWB/FAN	JR 0024	88-128-680-080		C-RES, 68-1/8W J	LHSFD	CX-NSZ500
X	P-SUPPLY/PWB/FAN	JR 0024	88-128-680-080	0E	C-RES, 68-1/8W J	USFD	CX-NAJ503
X	P-SUPPLY/PWB/FAN	JR 0024	88-128-680-080	0E	C-RES, 68-1/8W J	EZSFD	CX-NSZ500
S	P-SUPPLY/PWB/FAN	Q 0001	87-A30-494-080		TR, 2SA1980G	LHSFD	CX-NSZ500
S	P-SUPPLY/PWB/FAN	Q 0001	87-A30-494-080	0E	TR, 2SA1980G	USFD	CX-NAJ500
S	P-SUPPLY/PWB/FAN	Q 0001	87-A30-494-080	0E	TR, 2SA1980G	USFD	CX-NAJ503
S	P-SUPPLY/PWB/FAN	Q 0001	87-A30-494-080	0E	TR, 2SA1980G	EZSFD	CX-NSZ500
S	P-SUPPLY/PWB/FAN	Q 0002	87-A30-494-080		TR, 2SA1980G	LHSFD	CX-NSZ500
S	P-SUPPLY/PWB/FAN	Q 0002	87-A30-494-080	0E	TR, 2SA1980G	USFD	CX-NAJ500
S	P-SUPPLY/PWB/FAN	Q 0002	87-A30-494-080	0E	TR, 2SA1980G	USFD	CX-NAJ503
S	P-SUPPLY/PWB/FAN	Q 0002	87-A30-494-080	0E	TR, 2SA1980G	EZSFD	CX-NSZ500
S	P-SUPPLY/PWB/FAN	Q 0003	87-A30-559-010		TR, CSB1370EF	LHSFD	CX-NSZ500
S	P-SUPPLY/PWB/FAN	Q 0003	87-A30-559-010	1A	TR, CSB1370EF	USFD	CX-NAJ500
S	P-SUPPLY/PWB/FAN	Q 0003	87-A30-559-010	1A	TR, CSB1370EF	USFD	CX-NAJ503
S	P-SUPPLY/PWB/FAN	Q 0003	87-A30-559-010	1A	TR, CSB1370EF	EZSFD	CX-NSZ500
S	P-SUPPLY/PWB/FAN	Q 0005	87-026-610-080		TR, KTC3198GR	LHSFD	CX-NSZ500
S	P-SUPPLY/PWB/FAN	Q 0005	87-026-610-080	0E	TR, KTC3198GR	USFD	CX-NAJ500
S	P-SUPPLY/PWB/FAN	Q 0005	87-026-610-080	0E	TR, KTC3198GR	USFD	CX-NAJ503
S	P-SUPPLY/PWB/FAN	Q 0005	87-026-610-080	0E	TR, KTC3198GR	EZSFD	CX-NSZ500
S	P-SUPPLY/PWB/FAN	Q 0006	87-A30-076-080		C-TR, 2SC3052F	LHSFD	CX-NSZ500
S	P-SUPPLY/PWB/FAN	Q 0006	87-A30-076-080	0E	C-TR, 2SC3052F	USFD	CX-NAJ500
S	P-SUPPLY/PWB/FAN	Q 0006	87-A30-076-080	0E	C-TR, 2SC3052F	USFD	CX-NAJ503
S	P-SUPPLY/PWB/FAN	Q 0006	87-A30-076-080	0E	C-TR, 2SC3052F	EZSFD	CX-NSZ500
S	P-SUPPLY/PWB/FAN	Q 0007	87-A30-075-080	0E	C-TR, 2SA1235F	USFD	CX-NAJ500
S	P-SUPPLY/PWB/FAN	Q 0007	87-A30-075-080	0E	C-TR, 2SA1235F	USFD	CX-NAJ503
S	P-SUPPLY/PWB/FAN	Q 0008	87-A30-075-080		C-TR, 2SA1235F	LHSFD	CX-NSZ500
S	P-SUPPLY/PWB/FAN	Q 0008	87-A30-075-080	0E	C-TR, 2SA1235F	USFD	CX-NAJ500
S	P-SUPPLY/PWB/FAN	Q 0008	87-A30-075-080	0E	C-TR, 2SA1235F	USFD	CX-NAJ503
S	P-SUPPLY/PWB/FAN	Q 0008	87-A30-075-080	0E	C-TR, 2SA1235F	EZSFD	CX-NSZ500
S	P-SUPPLY/PWB/FAN	Q 0009	87-A30-494-080		TR, 2SA1980G	LHSFD	CX-NSZ500
S	P-SUPPLY/PWB/FAN	Q 0009	87-A30-494-080	0E	TR, 2SA1980G	USFD	CX-NAJ500
S	P-SUPPLY/PWB/FAN	Q 0009	87-A30-494-080	0E	TR, 2SA1980G	USFD	CX-NAJ503
S	P-SUPPLY/PWB/FAN	Q 0009	87-A30-494-080	0E	TR, 2SA1980G	EZSFD	CX-NSZ500
S	P-SUPPLY/PWB/FAN	Q 0010	87-A30-076-080		C-TR, 2SC3052F	LHSFD	CX-NSZ500
S	P-SUPPLY/PWB/FAN	Q 0010	87-A30-076-080	0E	C-TR, 2SC3052F	USFD	CX-NAJ500
S	P-SUPPLY/PWB/FAN	Q 0010	87-A30-076-080	0E	C-TR, 2SC3052F	USFD	CX-NAJ503
S	P-SUPPLY/PWB/FAN	Q 0010	87-A30-076-080	0E	C-TR, 2SC3052F	EZSFD	CX-NSZ500
S	P-SUPPLY/PWB/FAN	Q 0014	87-A30-075-080		C-TR, 2SA1235F	LHSFD	CX-NSZ500
S	P-SUPPLY/PWB/FAN	Q 0059	87-A30-107-070		C-TR, CMBT5401	LHSFD	CX-NSZ500
S	P-SUPPLY/PWB/FAN	Q 0059	87-A30-107-070	0E	C-TR, CMBT5401	USFD	CX-NAJ500
S	P-SUPPLY/PWB/FAN	Q 0059	87-A30-107-070	0E	C-TR, CMBT5401	USFD	CX-NAJ503
S	P-SUPPLY/PWB/FAN	Q 0059	87-A30-107-070	0E	C-TR, CMBT5401	EZSFD	CX-NSZ500
S	P-SUPPLY/PWB/FAN	Q 0060	87-A30-076-080		C-TR, 2SC3052F	LHSFD	CX-NSZ500
S	P-SUPPLY/PWB/FAN	Q 0060	87-A30-076-080	0E	C-TR, 2SC3052F	USFD	CX-NAJ500
S	P-SUPPLY/PWB/FAN	Q 0060	87-A30-076-080	0E	C-TR, 2SC3052F	USFD	CX-NAJ503
S	P-SUPPLY/PWB/FAN	Q 0060	87-A30-076-080	0E	C-TR, 2SC3052F	EZSFD	CX-NSZ500
S	P-SUPPLY/PWB/FAN	Q 0061	87-A30-075-080		C-TR, 2SA1235F	LHSFD	CX-NSZ500
S	P-SUPPLY/PWB/FAN	Q 0061	87-A30-075-080	0E	C-TR, 2SA1235F	USFD	CX-NAJ500
S	P-SUPPLY/PWB/FAN	Q 0061	87-A30-075-080	0E	C-TR, 2SA1235F	USFD	CX-NAJ503
S	P-SUPPLY/PWB/FAN	Q 0061	87-A30-075-080	0E	C-TR, 2SA1235F	EZSFD	CX-NSZ500
S	P-SUPPLY/PWB/FAN	Q 0062	87-A30-076-080		C-TR, 2SC3052F	LHSFD	CX-NSZ500
S	P-SUPPLY/PWB/FAN	Q 0062	87-A30-076-080	0E	C-TR, 2SC3052F	USFD	CX-NAJ500
S	P-SUPPLY/PWB/FAN	Q 0062	87-A30-076-080	0E	C-TR, 2SC3052F	USFD	CX-NAJ503
S	P-SUPPLY/PWB/FAN	Q 0062	87-A30-076-080	0E	C-TR, 2SC3052F	EZSFD	CX-NSZ500
S	P-SUPPLY/PWB/FAN	Q 0063	87-A30-075-080		C-TR, 2SA1235F	LHSFD	CX-NSZ500
S	P-SUPPLY/PWB/FAN	Q 0063	87-A30-075-080	0E	C-TR, 2SA1235F	USFD	CX-NAJ500
S	P-SUPPLY/PWB/FAN	Q 0063	87-A30-075-080	0E	C-TR, 2SA1235F	USFD	CX-NAJ503
S	P-SUPPLY/PWB/FAN	Q 0063	87-A30-075-080	0E	C-TR, 2SA1235F	EZSFD	CX-NSZ500
S	P-SUPPLY/PWB/FAN	Q 0064	87-A30-076-080		C-TR, 2SC3052F	LHSFD	CX-NSZ500
S	P-SUPPLY/PWB/FAN	Q 0064	87-A30-076-080	0E	C-TR, 2SC3052F	USFD	CX-NAJ500

PARTS LIST

! = Δ SAFTY PARTS
 C = Components marked

All components used on this model at the production line are shown in this service manual.

However, please note that not all components will be available as spare parts for after-sales service.

Components marked S and O are designated as spare parts for service and will be stocked at the spare parts centers.

Components marked X and R are not designated as spare parts for after sales service, and will not be stocked at the spare parts centers.

K NO. = Only use Japanese.

! C	UNIT NAME	REF NO.	PARTS CODE	K NO.	DESCRIPTION	SUFFIX	MODEL NAME
S	P-SUPPLY/PWB/FAN	Q 0064	87-A30-076-080	0E	C-TR,2SC3052F	USFD	CX-NAJ503
S	P-SUPPLY/PWB/FAN	Q 0064	87-A30-076-080	0E	C-TR,2SC3052F	EZSFD	CX-NSZ500
S	P-SUPPLY/PWB/FAN	Q 0065	87-A30-484-080		C-TR,KRA102S	LHSFD	CX-NSZ500
S	P-SUPPLY/PWB/FAN	Q 0065	87-A30-484-080	0E	C-TR,KRA102S	USFD	CX-NAJ500
S	P-SUPPLY/PWB/FAN	Q 0065	87-A30-484-080	0E	C-TR,KRA102S	USFD	CX-NAJ503
S	P-SUPPLY/PWB/FAN	Q 0065	87-A30-484-080	0E	C-TR,KRA102S	EZSFD	CX-NSZ500
X	P-SUPPLY/PWB/FAN	R 0001	88-100-000-010		PLATING-JW, 0.58 SN95	LHSFD	CX-NSZ500
X	P-SUPPLY/PWB/FAN	R 0001	88-100-000-010	0E	PLATING-JW, 0.58 SN95	USFD	CX-NAJ500
X	P-SUPPLY/PWB/FAN	R 0001	88-100-000-010	0E	PLATING-JW, 0.58 SN95	USFD	CX-NAJ503
X	P-SUPPLY/PWB/FAN	R 0001	88-100-000-010	0E	PLATING-JW, 0.58 SN95	EZSFD	CX-NSZ500
X	P-SUPPLY/PWB/FAN	R 0005	88-100-000-010		PLATING-JW, 0.58 SN95	LHSFD	CX-NSZ500
X	P-SUPPLY/PWB/FAN	R 0005	88-100-000-010	0E	PLATING-JW, 0.58 SN95	USFD	CX-NAJ500
X	P-SUPPLY/PWB/FAN	R 0005	88-100-000-010	0E	PLATING-JW, 0.58 SN95	USFD	CX-NAJ503
X	P-SUPPLY/PWB/FAN	R 0005	88-100-000-010	0E	PLATING-JW, 0.58 SN95	EZSFD	CX-NSZ500
X	P-SUPPLY/PWB/FAN	R 0009	88-108-223-080	0E	C-RES,U 22K-1/16W J	EZSFD	CX-NSZ500
X	P-SUPPLY/PWB/FAN	R 0009	88-108-273-080		C-RES,U 27K-1/16W J	LHSFD	CX-NSZ500
X	P-SUPPLY/PWB/FAN	R 0009	88-108-273-080	0E	C-RES,U 27K-1/16W J	USFD	CX-NAJ500
X	P-SUPPLY/PWB/FAN	R 0009	88-108-273-080	0E	C-RES,U 27K-1/16W J	USFD	CX-NAJ503
X	P-SUPPLY/PWB/FAN	R 0010	88-108-223-080	0E	C-RES,U 22K-1/16W J	EZSFD	CX-NSZ500
X	P-SUPPLY/PWB/FAN	R 0010	88-108-273-080		C-RES,U 27K-1/16W J	LHSFD	CX-NSZ500
X	P-SUPPLY/PWB/FAN	R 0010	88-108-273-080	0E	C-RES,U 27K-1/16W J	USFD	CX-NAJ500
X	P-SUPPLY/PWB/FAN	R 0011	88-108-472-080		C-RES,U 4.7K-1/16W J	LHSFD	CX-NAJ503
X	P-SUPPLY/PWB/FAN	R 0011	88-108-472-080	0E	C-RES,U 4.7K-1/16W J	USFD	CX-NAJ500
X	P-SUPPLY/PWB/FAN	R 0011	88-108-472-080	0E	C-RES,U 4.7K-1/16W J	USFD	CX-NAJ503
X	P-SUPPLY/PWB/FAN	R 0011	88-108-472-080	0E	C-RES,U 4.7K-1/16W J	EZSFD	CX-NSZ500
X	P-SUPPLY/PWB/FAN	R 0012	88-108-472-080		C-RES,U 4.7K-1/16W J	LHSFD	CX-NSZ500
X	P-SUPPLY/PWB/FAN	R 0012	88-108-472-080	0E	C-RES,U 4.7K-1/16W J	USFD	CX-NAJ500
X	P-SUPPLY/PWB/FAN	R 0012	88-108-472-080	0E	C-RES,U 4.7K-1/16W J	USFD	CX-NAJ503
X	P-SUPPLY/PWB/FAN	R 0012	88-108-472-080	0E	C-RES,U 4.7K-1/16W J	EZSFD	CX-NSZ500
X	P-SUPPLY/PWB/FAN	R 0013	88-108-472-080		C-RES,U 4.7K-1/16W J	LHSFD	CX-NSZ500
X	P-SUPPLY/PWB/FAN	R 0013	88-108-472-080	0E	C-RES,U 4.7K-1/16W J	USFD	CX-NAJ500
X	P-SUPPLY/PWB/FAN	R 0013	88-108-472-080	0E	C-RES,U 4.7K-1/16W J	USFD	CX-NAJ503
X	P-SUPPLY/PWB/FAN	R 0013	88-108-472-080	0E	C-RES,U 4.7K-1/16W J	EZSFD	CX-NSZ500
X	P-SUPPLY/PWB/FAN	R 0014	88-118-100-080	0E	C-RES,S 10-1/10W J	USFD	CX-NAJ500
X	P-SUPPLY/PWB/FAN	R 0014	88-118-100-080		C-RES,S 10-1/10W J	USFD	CX-NAJ503
X	P-SUPPLY/PWB/FAN	R 0014	88-118-100-080	0E	C-RES,S 10-1/10W J	EZSFD	CX-NSZ500
X	P-SUPPLY/PWB/FAN	R 0014	88-118-829-080		C-RES,S 8.2-1/10W J	LHSFD	CX-NSZ500
X	P-SUPPLY/PWB/FAN	R 0015	88-108-104-080	0E	C-RES,U 100K-1/16W J	USFD	CX-NAJ500
X	P-SUPPLY/PWB/FAN	R 0015	88-108-104-080	0E	C-RES,U 100K-1/16W J	USFD	CX-NAJ503
X	P-SUPPLY/PWB/FAN	R 0015	88-108-104-080	0E	C-RES,U 100K-1/16W J	EZSFD	CX-NSZ500
X	P-SUPPLY/PWB/FAN	R 0016	88-108-333-080		C-RES,U 33K-1/16W J	LHSFD	CX-NSZ500
X	P-SUPPLY/PWB/FAN	R 0016	88-108-333-080	0E	C-RES,U 33K-1/16W J	USFD	CX-NAJ500
X	P-SUPPLY/PWB/FAN	R 0016	88-108-333-080	0E	C-RES,U 33K-1/16W J	USFD	CX-NAJ503
X	P-SUPPLY/PWB/FAN	R 0016	88-108-333-080	0E	C-RES,U 33K-1/16W J	EZSFD	CX-NSZ500
X	P-SUPPLY/PWB/FAN	R 0017	88-130-151-080		RES,150-1/4W J	LHSFD	CX-NSZ500
X	P-SUPPLY/PWB/FAN	R 0017	88-130-151-080	0E	RES,150-1/4W J	USFD	CX-NAJ500
X	P-SUPPLY/PWB/FAN	R 0017	88-130-151-080	0E	RES,150-1/4W J	USFD	CX-NAJ503
X	P-SUPPLY/PWB/FAN	R 0017	88-130-151-080	0E	RES,150-1/4W J	EZSFD	CX-NSZ500
X	P-SUPPLY/PWB/FAN	R 0018	88-118-221-080		C-RES,S 220-1/10W J	LHSFD	CX-NSZ500
X	P-SUPPLY/PWB/FAN	R 0018	88-118-221-080	0E	C-RES,S 220-1/10W J	USFD	CX-NAJ500
X	P-SUPPLY/PWB/FAN	R 0018	88-118-221-080	0E	C-RES,S 220-1/10W J	USFD	CX-NAJ503
X	P-SUPPLY/PWB/FAN	R 0018	88-118-221-080	0E	C-RES,S 220-1/10W J	EZSFD	CX-NSZ500
X	P-SUPPLY/PWB/FAN	R 0019	88-108-000-080		C-JUMPER,U	LHSFD	CX-NSZ500
X	P-SUPPLY/PWB/FAN	R 0019	88-108-000-080	0E	C-JUMPER,U	USFD	CX-NAJ500
X	P-SUPPLY/PWB/FAN	R 0019	88-108-000-080	0E	C-JUMPER,U	USFD	CX-NAJ503
X	P-SUPPLY/PWB/FAN	R 0019	88-108-000-080	0E	C-JUMPER,U	EZSFD	CX-NSZ500
X	P-SUPPLY/PWB/FAN	R 0020	88-121-680-080		RES,68-1/8W J	LHSFD	CX-NSZ500
X	P-SUPPLY/PWB/FAN	R 0020	88-121-680-080	0E	RES,68-1/8W J	USFD	CX-NAJ500
X	P-SUPPLY/PWB/FAN	R 0020	88-121-680-080	0E	RES,68-1/8W J	USFD	CX-NAJ503
X	P-SUPPLY/PWB/FAN	R 0020	88-121-680-080	0E	RES,68-1/8W J	EZSFD	CX-NSZ500
X	P-SUPPLY/PWB/FAN	R 0021	88-108-472-080		C-RES,U 4.7K-1/16W J	LHSFD	CX-NSZ500
X	P-SUPPLY/PWB/FAN	R 0021	88-108-472-080	0E	C-RES,U 4.7K-1/16W J	USFD	CX-NAJ500
X	P-SUPPLY/PWB/FAN	R 0021	88-108-472-080	0E	C-RES,U 4.7K-1/16W J	USFD	CX-NAJ503
X	P-SUPPLY/PWB/FAN	R 0021	88-108-472-080	0E	C-RES,U 4.7K-1/16W J	EZSFD	CX-NSZ500
X	P-SUPPLY/PWB/FAN	R 0022	88-108-221-080		C-RES,U 220-1/16W J	LHSFD	CX-NSZ500
X	P-SUPPLY/PWB/FAN	R 0022	88-108-221-080	0E	C-RES,U 220-1/16W J	USFD	CX-NAJ500
X	P-SUPPLY/PWB/FAN	R 0022	88-108-221-080	0E	C-RES,U 220-1/16W J	USFD	CX-NAJ503
X	P-SUPPLY/PWB/FAN	R 0022	88-108-221-080	0E	C-RES,U 220-1/16W J	EZSFD	CX-NSZ500
X	P-SUPPLY/PWB/FAN	R 0023	88-108-103-080		C-RES,U 10K-1/16W J	LHSFD	CX-NSZ500

PARTS LIST

! = Δ SAFTY PARTS
 C = Components marked

All components used on this model at the production line are shown in this service manual.

However, please note that not all components will be available as spare parts for after-sales service.

Components marked S and O are designated as spare parts for service and will be stocked at the spare parts centers.

Components marked X and R are not designated as spare parts for after sales service, and will not be stocked at the spare parts centers.

K NO. = Only use Japanese.

! C	UNIT NAME	REF NO.	PARTS CODE	K NO.	DESCRIPTION	SUFFIX	MODEL NAME
X	P-SUPPLY/PWB/FAN	R 0023	88-108-103-080	0E	C-RES,U 10K-1/16W J	USFD	CX-NAJ500
X	P-SUPPLY/PWB/FAN	R 0023	88-108-103-080	0E	C-RES,U 10K-1/16W J	USFD	CX-NAJ503
X	P-SUPPLY/PWB/FAN	R 0023	88-108-103-080	0E	C-RES,U 10K-1/16W J	EZSFD	CX-NSZ500
X	P-SUPPLY/PWB/FAN	R 0024	88-118-101-080	0E	C-RES,S 100-1/10W J	USFD	CX-NAJ500
X	P-SUPPLY/PWB/FAN	R 0024	88-118-101-080	0E	C-RES,S 100-1/10W J	USFD	CX-NAJ503
X	P-SUPPLY/PWB/FAN	R 0026	88-108-103-080	0E	C-RES,U 10K-1/16W J	USFD	CX-NAJ500
X	P-SUPPLY/PWB/FAN	R 0026	88-108-103-080	0E	C-RES,U 10K-1/16W J	USFD	CX-NAJ503
X	P-SUPPLY/PWB/FAN	R 0027	88-118-471-080	0E	C-RES,S 470-1/10W J	LHSFD	CX-NSZ500
X	P-SUPPLY/PWB/FAN	R 0027	88-118-471-080	0E	C-RES,S 470-1/10W J	USFD	CX-NAJ500
X	P-SUPPLY/PWB/FAN	R 0027	88-118-471-080	0E	C-RES,S 470-1/10W J	USFD	CX-NAJ503
X	P-SUPPLY/PWB/FAN	R 0027	88-118-471-080	0E	C-RES,S 470-1/10W J	EZSFD	CX-NSZ500
X	P-SUPPLY/PWB/FAN	R 0028	88-108-103-080	0E	C-RES,U 10K-1/16W J	LHSFD	CX-NSZ500
X	P-SUPPLY/PWB/FAN	R 0028	88-108-103-080	0E	C-RES,U 10K-1/16W J	USFD	CX-NAJ500
X	P-SUPPLY/PWB/FAN	R 0028	88-108-103-080	0E	C-RES,U 10K-1/16W J	USFD	CX-NAJ503
X	P-SUPPLY/PWB/FAN	R 0028	88-108-103-080	0E	C-RES,U 10K-1/16W J	EZSFD	CX-NSZ500
X	P-SUPPLY/PWB/FAN	R 0029	88-108-222-080	0E	C-RES,U 2.2K-1/16W J	LHSFD	CX-NSZ500
X	P-SUPPLY/PWB/FAN	R 0029	88-108-222-080	0E	C-RES,U 2.2K-1/16W J	USFD	CX-NAJ500
X	P-SUPPLY/PWB/FAN	R 0029	88-108-222-080	0E	C-RES,U 2.2K-1/16W J	USFD	CX-NAJ503
X	P-SUPPLY/PWB/FAN	R 0029	88-108-222-080	0E	C-RES,U 2.2K-1/16W J	EZSFD	CX-NSZ500
X	P-SUPPLY/PWB/FAN	R 0030	88-108-333-080	0E	C-RES,U 33K-1/16W J	LHSFD	CX-NSZ500
X	P-SUPPLY/PWB/FAN	R 0030	88-108-333-080	0E	C-RES,U 33K-1/16W J	USFD	CX-NAJ500
X	P-SUPPLY/PWB/FAN	R 0030	88-108-333-080	0E	C-RES,U 33K-1/16W J	USFD	CX-NAJ503
X	P-SUPPLY/PWB/FAN	R 0031	88-108-473-080	0E	C-RES,U 47K-1/16W J	LHSFD	CX-NSZ500
X	P-SUPPLY/PWB/FAN	R 0031	88-108-473-080	0E	C-RES,U 47K-1/16W J	USFD	CX-NAJ500
X	P-SUPPLY/PWB/FAN	R 0031	88-108-473-080	0E	C-RES,U 47K-1/16W J	USFD	CX-NAJ503
X	P-SUPPLY/PWB/FAN	R 0031	88-108-473-080	0E	C-RES,U 47K-1/16W J	EZSFD	CX-NSZ500
X	P-SUPPLY/PWB/FAN	R 0032	88-121-102-080	0E	RES,1K-1/8W J	LHSFD	CX-NSZ500
X	P-SUPPLY/PWB/FAN	R 0032	88-121-102-080	0E	RES,1K-1/8W J	USFD	CX-NAJ500
X	P-SUPPLY/PWB/FAN	R 0032	88-121-102-080	0E	RES,1K-1/8W J	USFD	CX-NAJ503
X	P-SUPPLY/PWB/FAN	R 0032	88-121-102-080	0E	RES,1K-1/8W J	EZSFD	CX-NSZ500
X	P-SUPPLY/PWB/FAN	R 0033	88-108-101-080	0E	C-RES,U 100-1/16W J	LHSFD	CX-NSZ500
X	P-SUPPLY/PWB/FAN	R 0033	88-108-101-080	0E	C-RES,U 100-1/16W J	USFD	CX-NAJ500
X	P-SUPPLY/PWB/FAN	R 0033	88-108-101-080	0E	C-RES,U 100-1/16W J	USFD	CX-NAJ503
X	P-SUPPLY/PWB/FAN	R 0033	88-108-101-080	0E	C-RES,U 100-1/16W J	EZSFD	CX-NSZ500
X	P-SUPPLY/PWB/FAN	R 0034	88-108-394-080	0E	C-RES,U 390K-1/16W J	LHSFD	CX-NSZ500
X	P-SUPPLY/PWB/FAN	R 0034	88-108-394-080	0E	C-RES,U 390K-1/16W J	USFD	CX-NAJ500
X	P-SUPPLY/PWB/FAN	R 0034	88-108-394-080	0E	C-RES,U 390K-1/16W J	USFD	CX-NAJ503
X	P-SUPPLY/PWB/FAN	R 0034	88-108-394-080	0E	C-RES,U 390K-1/16W J	EZSFD	CX-NSZ500
X	P-SUPPLY/PWB/FAN	R 0037	88-128-680-080	0E	C-RES, 68-1/8W J	LHSFD	CX-NSZ500
X	P-SUPPLY/PWB/FAN	R 0037	88-128-680-080	0E	C-RES, 68-1/8W J	USFD	CX-NAJ500
X	P-SUPPLY/PWB/FAN	R 0037	88-128-680-080	0E	C-RES, 68-1/8W J	USFD	CX-NAJ503
X	P-SUPPLY/PWB/FAN	R 0037	88-128-680-080	0E	C-RES, 68-1/8W J	EZSFD	CX-NSZ500
X	P-SUPPLY/PWB/FAN	R 0038	88-130-151-080	0E	RES,150-1/4W J	LHSFD	CX-NSZ500
X	P-SUPPLY/PWB/FAN	R 0038	88-130-151-080	0E	RES,150-1/4W J	USFD	CX-NAJ500
X	P-SUPPLY/PWB/FAN	R 0038	88-130-151-080	0E	RES,150-1/4W J	USFD	CX-NAJ503
X	P-SUPPLY/PWB/FAN	R 0038	88-130-151-080	0E	RES,150-1/4W J	EZSFD	CX-NSZ500
X	P-SUPPLY/PWB/FAN	R 0039	88-128-680-080	0E	C-RES, 68-1/8W J	LHSFD	CX-NSZ500
X	P-SUPPLY/PWB/FAN	R 0039	88-128-680-080	0E	C-RES, 68-1/8W J	USFD	CX-NAJ500
X	P-SUPPLY/PWB/FAN	R 0039	88-128-680-080	0E	C-RES, 68-1/8W J	USFD	CX-NAJ503
X	P-SUPPLY/PWB/FAN	R 0039	88-128-680-080	0E	C-RES, 68-1/8W J	EZSFD	CX-NSZ500
X	P-SUPPLY/PWB/FAN	R 0042	88-130-151-080	0E	RES,150-1/4W J	LHSFD	CX-NSZ500
X	P-SUPPLY/PWB/FAN	R 0042	88-130-151-080	0E	RES,150-1/4W J	USFD	CX-NAJ500
X	P-SUPPLY/PWB/FAN	R 0042	88-130-151-080	0E	RES,150-1/4W J	USFD	CX-NAJ503
X	P-SUPPLY/PWB/FAN	R 0042	88-130-151-080	0E	RES,150-1/4W J	EZSFD	CX-NSZ500
X	P-SUPPLY/PWB/FAN	R 0043	88-130-151-080	0E	RES,150-1/4W J	LHSFD	CX-NSZ500
X	P-SUPPLY/PWB/FAN	R 0043	88-130-151-080	0E	RES,150-1/4W J	USFD	CX-NAJ500
X	P-SUPPLY/PWB/FAN	R 0043	88-130-151-080	0E	RES,150-1/4W J	USFD	CX-NAJ503
X	P-SUPPLY/PWB/FAN	R 0043	88-130-151-080	0E	RES,150-1/4W J	EZSFD	CX-NSZ500
X	P-SUPPLY/PWB/FAN	R 0044	88-128-680-080	0E	C-RES, 68-1/8W J	USFD	CX-NAJ500
X	P-SUPPLY/PWB/FAN	R 0044	88-128-680-080	0E	C-RES, 68-1/8W J	USFD	CX-NAJ503
X	P-SUPPLY/PWB/FAN	R 0044	88-128-680-080	0E	C-RES, 68-1/8W J	EZSFD	CX-NSZ500
X	P-SUPPLY/PWB/FAN	R 0044	88-128-680-080	0E	C-RES, 68-1/8W J	LHSFD	CX-NSZ500
X	P-SUPPLY/PWB/FAN	R 0045	88-128-680-080	0E	C-RES, 68-1/8W J	LHSFD	CX-NSZ500
X	P-SUPPLY/PWB/FAN	R 0045	88-128-680-080	0E	C-RES, 68-1/8W J	USFD	CX-NAJ500
X	P-SUPPLY/PWB/FAN	R 0045	88-128-680-080	0E	C-RES, 68-1/8W J	USFD	CX-NAJ503
X	P-SUPPLY/PWB/FAN	R 0045	88-128-680-080	0E	C-RES, 68-1/8W J	EZSFD	CX-NSZ500
X	P-SUPPLY/PWB/FAN	R 0046	88-130-151-080	0E	RES,150-1/4W J	LHSFD	CX-NSZ500
X	P-SUPPLY/PWB/FAN	R 0046	88-130-151-080	0E	RES,150-1/4W J	USFD	CX-NAJ500
X	P-SUPPLY/PWB/FAN	R 0046	88-130-151-080	0E	RES,150-1/4W J	USFD	CX-NAJ503
X	P-SUPPLY/PWB/FAN	R 0046	88-130-151-080	0E	RES,150-1/4W J	EZSFD	CX-NSZ500

PARTS LIST

! = Δ SAFTY PARTS
 C = Components marked

All components used on this model at the production line are shown in this service manual.

However, please note that not all components will be available as spare parts for after-sales service.

Components marked S and O are designated as spare parts for service and will be stocked at the spare parts centers.

Components marked X and R are not designated as spare parts for after sales service, and will not be stocked at the spare parts centers.

K NO. = Only use Japanese.

! C	UNIT NAME	REF NO.	PARTS CODE	K NO.	DESCRIPTION	SUFFIX	MODEL NAME
X	P-SUPPLY/PWB/FAN	R 0046	88-130-151-080	0E	RES,150-1/4W J	EZSFD	CX-NSZ500
X	P-SUPPLY/PWB/FAN	R 0047	88-130-151-080		RES,150-1/4W J	LHSFD	CX-NSZ500
X	P-SUPPLY/PWB/FAN	R 0047	88-130-151-080	0E	RES,150-1/4W J	USFD	CX-NAJ500
X	P-SUPPLY/PWB/FAN	R 0047	88-130-151-080	0E	RES,150-1/4W J	USFD	CX-NAJ503
X	P-SUPPLY/PWB/FAN	R 0047	88-130-151-080	0E	RES,150-1/4W J	EZSFD	CX-NSZ500
X	P-SUPPLY/PWB/FAN	R 0050	88-128-680-080	0E	C-RES, 68-1/8W J	USFD	CX-NAJ500
X	P-SUPPLY/PWB/FAN	R 0050	88-128-680-080	0E	C-RES, 68-1/8W J	USFD	CX-NAJ503
X	P-SUPPLY/PWB/FAN	R 0050	88-128-680-080	0E	C-RES, 68-1/8W J	EZSFD	CX-NSZ500
X	P-SUPPLY/PWB/FAN	R 0050	88-128-820-080		C-RES, 82-1/8W J	LHSFD	CX-NSZ500
X	P-SUPPLY/PWB/FAN	R 0051	88-128-680-080		C-RES, 68-1/8W J	LHSFD	CX-NSZ500
X	P-SUPPLY/PWB/FAN	R 0051	88-128-680-080	0E	C-RES, 68-1/8W J	USFD	CX-NAJ500
X	P-SUPPLY/PWB/FAN	R 0051	88-128-680-080	0E	C-RES, 68-1/8W J	USFD	CX-NAJ503
X	P-SUPPLY/PWB/FAN	R 0051	88-128-680-080	0E	C-RES, 68-1/8W J	EZSFD	CX-NSZ500
X	P-SUPPLY/PWB/FAN	R 0052	88-108-333-080		C-RES,U 33K-1/16W J	LHSFD	CX-NSZ500
X	P-SUPPLY/PWB/FAN	R 0052	88-108-333-080	0E	C-RES,U 33K-1/16W J	USFD	CX-NAJ500
X	P-SUPPLY/PWB/FAN	R 0052	88-108-333-080	0E	C-RES,U 33K-1/16W J	USFD	CX-NAJ503
X	P-SUPPLY/PWB/FAN	R 0052	88-108-333-080	0E	C-RES,U 33K-1/16W J	EZSFD	CX-NSZ500
X	P-SUPPLY/PWB/FAN	R 0054	88-118-473-080		C-RES,S 47K-1/10W J	LHSFD	CX-NSZ500
X	P-SUPPLY/PWB/FAN	R 0054	88-118-473-080	0E	C-RES,S 47K-1/10W J	USFD	CX-NAJ500
X	P-SUPPLY/PWB/FAN	R 0054	88-118-473-080	0E	C-RES,S 47K-1/10W J	USFD	CX-NAJ503
X	P-SUPPLY/PWB/FAN	R 0054	88-118-473-080	0E	C-RES,S 47K-1/10W J	EZSFD	CX-NSZ500
X	P-SUPPLY/PWB/FAN	R 0055	88-118-473-080		C-RES,S 47K-1/10W J	LHSFD	CX-NSZ500
X	P-SUPPLY/PWB/FAN	R 0055	88-118-473-080	0E	C-RES,S 47K-1/10W J	USFD	CX-NAJ500
X	P-SUPPLY/PWB/FAN	R 0055	88-118-473-080	0E	C-RES,S 47K-1/10W J	USFD	CX-NAJ503
X	P-SUPPLY/PWB/FAN	R 0055	88-118-473-080	0E	C-RES,S 47K-1/10W J	EZSFD	CX-NSZ500
X	P-SUPPLY/PWB/FAN	R 0056	88-108-472-080		C-RES,U 4.7K-1/16W J	LHSFD	CX-NSZ500
X	P-SUPPLY/PWB/FAN	R 0056	88-108-472-080	0E	C-RES,U 4.7K-1/16W J	USFD	CX-NAJ500
X	P-SUPPLY/PWB/FAN	R 0056	88-108-472-080	0E	C-RES,U 4.7K-1/16W J	USFD	CX-NAJ503
X	P-SUPPLY/PWB/FAN	R 0056	88-108-562-080	0E	C-RES,U 5.6K-1/16W J	USFD	CX-NAJ500
X	P-SUPPLY/PWB/FAN	R 0056	88-108-562-080	0E	C-RES,U 5.6K-1/16W J	EZSFD	CX-NSZ500
X	P-SUPPLY/PWB/FAN	R 0057	88-108-182-080	0E	C-RES,U 1.8K-1/16W J	USFD	CX-NAJ500
X	P-SUPPLY/PWB/FAN	R 0057	88-108-222-080		C-RES,U 2.2K-1/16W J	LHSFD	CX-NSZ500
X	P-SUPPLY/PWB/FAN	R 0057	88-108-222-080	0E	C-RES,U 2.2K-1/16W J	USFD	CX-NAJ500
X	P-SUPPLY/PWB/FAN	R 0057	88-108-222-080	0E	C-RES,U 2.2K-1/16W J	EZSFD	CX-NSZ500
X	P-SUPPLY/PWB/FAN	R 0058	88-108-392-080		C-RES,U 3.9K-1/16W J	LHSFD	CX-NSZ500
X	P-SUPPLY/PWB/FAN	R 0058	88-108-392-080	0E	C-RES,U 3.9K-1/16W J	USFD	CX-NAJ500
X	P-SUPPLY/PWB/FAN	R 0058	88-108-392-080	0E	C-RES,U 3.9K-1/16W J	USFD	CX-NAJ503
X	P-SUPPLY/PWB/FAN	R 0058	88-108-472-080	0E	C-RES,U 4.7K-1/16W J	USFD	CX-NAJ500
X	P-SUPPLY/PWB/FAN	R 0058	88-108-472-080	0E	C-RES,U 4.7K-1/16W J	EZSFD	CX-NSZ500
X	P-SUPPLY/PWB/FAN	R 0059	88-118-103-080		C-RES,S 10K-1/10W J	LHSFD	CX-NSZ500
X	P-SUPPLY/PWB/FAN	R 0059	88-118-103-080	0E	C-RES,S 10K-1/10W J	USFD	CX-NAJ500
X	P-SUPPLY/PWB/FAN	R 0059	88-118-103-080	0E	C-RES,S 10K-1/10W J	USFD	CX-NAJ503
X	P-SUPPLY/PWB/FAN	R 0059	88-118-103-080	0E	C-RES,S 10K-1/10W J	EZSFD	CX-NSZ500
X	P-SUPPLY/PWB/FAN	R 0060	88-118-473-080		C-RES,S 47K-1/10W J	LHSFD	CX-NSZ500
X	P-SUPPLY/PWB/FAN	R 0060	88-118-473-080	0E	C-RES,S 47K-1/10W J	USFD	CX-NAJ500
X	P-SUPPLY/PWB/FAN	R 0060	88-118-473-080	0E	C-RES,S 47K-1/10W J	USFD	CX-NAJ503
X	P-SUPPLY/PWB/FAN	R 0060	88-118-473-080	0E	C-RES,S 47K-1/10W J	EZSFD	CX-NSZ500
X	P-SUPPLY/PWB/FAN	R 0061	88-108-333-080		C-RES,U 33K-1/16W J	LHSFD	CX-NSZ500
X	P-SUPPLY/PWB/FAN	R 0061	88-108-333-080	0E	C-RES,U 33K-1/16W J	USFD	CX-NAJ500
X	P-SUPPLY/PWB/FAN	R 0061	88-108-333-080	0E	C-RES,U 33K-1/16W J	USFD	CX-NAJ503
X	P-SUPPLY/PWB/FAN	R 0061	88-108-333-080	0E	C-RES,U 33K-1/16W J	EZSFD	CX-NSZ500
X	P-SUPPLY/PWB/FAN	R 0062	88-108-273-080		C-RES,U 27K-1/16W J	LHSFD	CX-NSZ500
X	P-SUPPLY/PWB/FAN	R 0062	88-108-273-080	0E	C-RES,U 27K-1/16W J	USFD	CX-NAJ500
X	P-SUPPLY/PWB/FAN	R 0062	88-108-273-080	0E	C-RES,U 27K-1/16W J	USFD	CX-NAJ503
X	P-SUPPLY/PWB/FAN	R 0062	88-108-273-080	0E	C-RES,U 27K-1/16W J	EZSFD	CX-NSZ500
X	P-SUPPLY/PWB/FAN	R 0063	88-108-273-080		C-RES,U 27K-1/16W J	LHSFD	CX-NSZ500
X	P-SUPPLY/PWB/FAN	R 0063	88-108-273-080	0E	C-RES,U 27K-1/16W J	USFD	CX-NAJ500
X	P-SUPPLY/PWB/FAN	R 0063	88-108-273-080	0E	C-RES,U 27K-1/16W J	USFD	CX-NAJ503
X	P-SUPPLY/PWB/FAN	R 0063	88-108-273-080	0E	C-RES,U 27K-1/16W J	EZSFD	CX-NSZ500
X	P-SUPPLY/PWB/FAN	R 0064	88-108-102-080		C-RES,U 1K-1/16W J	LHSFD	CX-NSZ500
X	P-SUPPLY/PWB/FAN	R 0064	88-108-102-080	0E	C-RES,U 1K-1/16W J	USFD	CX-NAJ500
X	P-SUPPLY/PWB/FAN	R 0064	88-108-102-080	0E	C-RES,U 1K-1/16W J	USFD	CX-NAJ503
X	P-SUPPLY/PWB/FAN	R 0064	88-108-102-080	0E	C-RES,U 1K-1/16W J	EZSFD	CX-NSZ500
X	P-SUPPLY/PWB/FAN	R 0065	88-108-123-080		C-RES,U 12K-1/16W J	LHSFD	CX-NSZ500
X	P-SUPPLY/PWB/FAN	R 0065	88-108-123-080	0E	C-RES,U 12K-1/16W J	USFD	CX-NAJ500
X	P-SUPPLY/PWB/FAN	R 0065	88-108-123-080	0E	C-RES,U 12K-1/16W J	USFD	CX-NAJ503
X	P-SUPPLY/PWB/FAN	R 0065	88-108-123-080	0E	C-RES,U 12K-1/16W J	EZSFD	CX-NSZ500
X	P-SUPPLY/PWB/FAN	R 0066	88-108-104-080		C-RES,U 100K-1/16W J	LHSFD	CX-NSZ500
X	P-SUPPLY/PWB/FAN	R 0066	88-108-104-080	0E	C-RES,U 100K-1/16W J	USFD	CX-NAJ500
X	P-SUPPLY/PWB/FAN	R 0066	88-108-104-080	0E	C-RES,U 100K-1/16W J	USFD	CX-NAJ503
X	P-SUPPLY/PWB/FAN	R 0066	88-108-104-080	0E	C-RES,U 100K-1/16W J	EZSFD	CX-NSZ500
X	P-SUPPLY/PWB/FAN	R 0067	88-108-103-080		C-RES,U 10K-1/16W J	LHSFD	CX-NSZ500

PARTS LIST

! = Δ SAFTY PARTS
 C = Components marked

All components used on this model at the production line are shown in this service manual.

However, please note that not all components will be available as spare parts for after-sales service.

Components marked S and O are designated as spare parts for service and will be stocked at the spare parts centers.

Components marked X and R are not designated as spare parts for after sales service, and will not be stocked at the spare parts centers.

K NO. = Only use Japanese.

! C	UNIT NAME	REF NO.	PARTS CODE	K NO.	DESCRIPTION	SUFFIX	MODEL NAME
X	P-SUPPLY/PWB/FAN	R 0067	88-108-103-080	0E	C-RES,U 10K-1/16W J	USFD	CX-NAJ500
X	P-SUPPLY/PWB/FAN	R 0067	88-108-103-080	0E	C-RES,U 10K-1/16W J	USFD	CX-NAJ503
X	P-SUPPLY/PWB/FAN	R 0067	88-108-103-080	0E	C-RES,U 10K-1/16W J	EZSFD	CX-NSZ500
X	P-SUPPLY/PWB/FAN	R 0068	88-108-224-080		C-RES,U 220K-1/16W J	LHSFD	CX-NSZ500
X	P-SUPPLY/PWB/FAN	R 0068	88-108-224-080	0E	C-RES,U 220K-1/16W J	USFD	CX-NAJ500
X	P-SUPPLY/PWB/FAN	R 0068	88-108-224-080	0E	C-RES,U 220K-1/16W J	USFD	CX-NAJ503
X	P-SUPPLY/PWB/FAN	R 0068	88-108-224-080	0E	C-RES,U 220K-1/16W J	EZSFD	CX-NSZ500
X	P-SUPPLY/PWB/FAN	R 0069	88-108-224-080		C-RES,U 220K-1/16W J	LHSFD	CX-NSZ500
X	P-SUPPLY/PWB/FAN	R 0069	88-108-224-080	0E	C-RES,U 220K-1/16W J	USFD	CX-NAJ500
X	P-SUPPLY/PWB/FAN	R 0069	88-108-224-080	0E	C-RES,U 220K-1/16W J	USFD	CX-NAJ503
X	P-SUPPLY/PWB/FAN	R 0069	88-108-224-080	0E	C-RES,U 220K-1/16W J	EZSFD	CX-NSZ500
X	P-SUPPLY/PWB/FAN	R 0070	88-108-102-080		C-RES,U 1K-1/16W J	LHSFD	CX-NSZ500
X	P-SUPPLY/PWB/FAN	R 0070	88-108-102-080	0E	C-RES,U 1K-1/16W J	USFD	CX-NAJ500
X	P-SUPPLY/PWB/FAN	R 0070	88-108-102-080	0E	C-RES,U 1K-1/16W J	USFD	CX-NAJ503
X	P-SUPPLY/PWB/FAN	R 0070	88-108-102-080	0E	C-RES,U 1K-1/16W J	EZSFD	CX-NSZ500
X	P-SUPPLY/PWB/FAN	R 0071	88-108-473-080		C-RES,U 47K-1/16W J	LHSFD	CX-NSZ500
X	P-SUPPLY/PWB/FAN	R 0071	88-108-473-080	0E	C-RES,U 47K-1/16W J	USFD	CX-NAJ500
X	P-SUPPLY/PWB/FAN	R 0071	88-108-473-080	0E	C-RES,U 47K-1/16W J	USFD	CX-NAJ503
X	P-SUPPLY/PWB/FAN	R 0071	88-108-473-080	0E	C-RES,U 47K-1/16W J	EZSFD	CX-NSZ500
X	P-SUPPLY/PWB/FAN	R 0072	88-108-473-080		C-RES,U 47K-1/16W J	LHSFD	CX-NSZ500
X	P-SUPPLY/PWB/FAN	R 0072	88-108-473-080	0E	C-RES,U 47K-1/16W J	USFD	CX-NAJ500
X	P-SUPPLY/PWB/FAN	R 0072	88-108-473-080	0E	C-RES,U 47K-1/16W J	USFD	CX-NAJ503
X	P-SUPPLY/PWB/FAN	R 0072	88-108-473-080	0E	C-RES,U 47K-1/16W J	EZSFD	CX-NSZ500
X	P-SUPPLY/PWB/FAN	R 0073	88-128-470-080		C-RES, 47-1/8W J	USFD	CX-NAJ503
X	P-SUPPLY/PWB/FAN	R 0073	88-128-560-080		C-RES, 56-1/8W J	LHSFD	CX-NSZ500
X	P-SUPPLY/PWB/FAN	R 0073	88-129-000-080	0E	C-JUMPER, 3216	USFD	CX-NAJ500
X	P-SUPPLY/PWB/FAN	R 0073	88-129-000-080	0E	C-JUMPER, 3216	EZSFD	CX-NSZ500
X	P-SUPPLY/PWB/FAN	R 0074	88-128-470-080	0E	C-RES, 47-1/8W J	USFD	CX-NAJ503
X	P-SUPPLY/PWB/FAN	R 0074	88-128-560-080		C-RES, 56-1/8W J	LHSFD	CX-NSZ500
X	P-SUPPLY/PWB/FAN	R 0074	88-129-000-080	0E	C-JUMPER, 3216	USFD	CX-NAJ500
X	P-SUPPLY/PWB/FAN	R 0074	88-129-000-080	0E	C-JUMPER, 3216	EZSFD	CX-NSZ500
X	P-SUPPLY/PWB/FAN	R 0076	88-108-562-080		C-RES,U 5.6K-1/16W J	LHSFD	CX-NSZ500
X	P-SUPPLY/PWB/FAN	R 0076	88-108-562-080	0E	C-RES,U 5.6K-1/16W J	USFD	CX-NAJ500
X	P-SUPPLY/PWB/FAN	R 0076	88-108-562-080	0E	C-RES,U 5.6K-1/16W J	USFD	CX-NAJ503
X	P-SUPPLY/PWB/FAN	R 0076	88-108-562-080	0E	C-RES,U 5.6K-1/16W J	EZSFD	CX-NSZ500
X	P-SUPPLY/PWB/FAN	R 0078	88-108-393-080		C-RES,U 39K-1/16W J	LHSFD	CX-NSZ500
X	P-SUPPLY/PWB/FAN	R 0078	88-108-393-080	0E	C-RES,U 39K-1/16W J	USFD	CX-NAJ500
X	P-SUPPLY/PWB/FAN	R 0078	88-108-393-080	0E	C-RES,U 39K-1/16W J	USFD	CX-NAJ503
X	P-SUPPLY/PWB/FAN	R 0078	88-108-393-080	0E	C-RES,U 39K-1/16W J	EZSFD	CX-NSZ500
X	P-SUPPLY/PWB/FAN	R 0079	88-108-183-080	0E	C-RES,U 18K-1/16W J	USFD	CX-NAJ500
X	P-SUPPLY/PWB/FAN	R 0079	88-108-223-080		C-RES,U 22K-1/16W J	EZSFD	CX-NSZ500
X	P-SUPPLY/PWB/FAN	R 0079	88-108-273-080	0E	C-RES,U 27K-1/16W J	LHSFD	CX-NAJ503
X	P-SUPPLY/PWB/FAN	R 0081	88-108-101-080		C-RES,U 100-1/16W J	LHSFD	CX-NSZ500
X	P-SUPPLY/PWB/FAN	R 0081	88-108-101-080	0E	C-RES,U 100-1/16W J	USFD	CX-NAJ500
X	P-SUPPLY/PWB/FAN	R 0081	88-108-101-080	0E	C-RES,U 100-1/16W J	USFD	CX-NAJ503
X	P-SUPPLY/PWB/FAN	R 0081	88-108-101-080	0E	C-RES,U 100-1/16W J	EZSFD	CX-NSZ500
X	P-SUPPLY/PWB/FAN	R 0085	88-108-103-080		C-RES,U 10K-1/16W J	LHSFD	CX-NSZ500
X	P-SUPPLY/PWB/FAN	R 0085	88-108-103-080	0E	C-RES,U 10K-1/16W J	USFD	CX-NAJ500
X	P-SUPPLY/PWB/FAN	R 0085	88-108-103-080	0E	C-RES,U 10K-1/16W J	USFD	CX-NAJ503
X	P-SUPPLY/PWB/FAN	R 0085	88-108-103-080	0E	C-RES,U 10K-1/16W J	EZSFD	CX-NSZ500
X	P-SUPPLY/PWB/FAN	R 0086	88-108-474-080		C-RES,U 470K-1/16W J	LHSFD	CX-NSZ500
X	P-SUPPLY/PWB/FAN	R 0086	88-108-474-080	0E	C-RES,U 470K-1/16W J	EZSFD	CX-NSZ500
X	P-SUPPLY/PWB/FAN	R 0086	88-108-564-080	0E	C-RES,U 560K-1/16W J	USFD	CX-NAJ500
X	P-SUPPLY/PWB/FAN	R 0086	88-108-564-080	0E	C-RES,U 560K-1/16W J	USFD	CX-NAJ503
X	P-SUPPLY/PWB/FAN	R 0093	88-108-683-080	0E	C-RES,U 68K-1/16W J	USFD	CX-NAJ503
X	P-SUPPLY/PWB/FAN	R 0093	88-108-823-080		C-RES,U 82K-1/16W J	LHSFD	CX-NSZ500
X	P-SUPPLY/PWB/FAN	R 0093	88-108-823-080	0E	C-RES,U 82K-1/16W J	USFD	CX-NAJ500
X	P-SUPPLY/PWB/FAN	R 0093	88-108-823-080	0E	C-RES,U 82K-1/16W J	EZSFD	CX-NSZ500
X	P-SUPPLY/PWB/FAN	R 0094	88-108-393-080		C-RES,U 39K-1/16W J	LHSFD	CX-NSZ500
X	P-SUPPLY/PWB/FAN	R 0094	88-108-393-080	0E	C-RES,U 39K-1/16W J	USFD	CX-NAJ500
X	P-SUPPLY/PWB/FAN	R 0094	88-108-393-080	0E	C-RES,U 39K-1/16W J	USFD	CX-NAJ503
X	P-SUPPLY/PWB/FAN	R 0094	88-108-393-080	0E	C-RES,U 39K-1/16W J	EZSFD	CX-NSZ500
X	P-SUPPLY/PWB/FAN	R 0095	88-108-183-080	0E	C-RES,U 18K-1/16W J	USFD	CX-NAJ500
X	P-SUPPLY/PWB/FAN	R 0095	88-108-183-080	0E	C-RES,U 18K-1/16W J	USFD	CX-NAJ503
X	P-SUPPLY/PWB/FAN	R 0095	88-108-223-080		C-RES,U 22K-1/16W J	EZSFD	CX-NSZ500
X	P-SUPPLY/PWB/FAN	R 0095	88-108-273-080	0E	C-RES,U 27K-1/16W J	LHSFD	CX-NSZ500
X	P-SUPPLY/PWB/FAN	R 0095	88-108-273-080	0E	C-RES,U 27K-1/16W J	USFD	CX-NAJ503
X	P-SUPPLY/PWB/FAN	R 0096	88-108-683-080	0E	C-RES,U 68K-1/16W J	USFD	CX-NAJ503
X	P-SUPPLY/PWB/FAN	R 0096	88-108-823-080		C-RES,U 82K-1/16W J	LHSFD	CX-NSZ500
X	P-SUPPLY/PWB/FAN	R 0096	88-108-823-080	0E	C-RES,U 82K-1/16W J	USFD	CX-NAJ500

PARTS LIST

! = Δ SAFTY PARTS
 C = Components marked

All components used on this model at the production line are shown in this service manual.

However, please note that not all components will be available as spare parts for after-sales service.

Components marked S and O are designated as spare parts for service and will be stocked at the spare parts centers.

Components marked X and R are not designated as spare parts for after sales service, and will not be stocked at the spare parts centers.

K NO. = Only use Japanese.

! C	UNIT NAME	REF NO.	PARTS CODE	K NO.	DESCRIPTION	SUFFIX	MODEL NAME
X	P-SUPPLY/PWB/FAN	R 0096	88-108-823-080	0E	C-RES, U 82K-1/16W J	EZSFD	CX-NSZ500
X	P-SUPPLY/PWB/FAN	R 0098	88-128-129-080	0E	C-RES, 1.2-1/8W J	USFD	CX-NAJ500
X	P-SUPPLY/PWB/FAN	R 0098	88-128-129-080	0E	C-RES, 1.2-1/8W J	USFD	CX-NAJ503
X	P-SUPPLY/PWB/FAN	R 0099	88-128-129-080	0E	C-RES, 1.2-1/8W J	USFD	CX-NAJ500
X	P-SUPPLY/PWB/FAN	R 0099	88-128-129-080	0E	C-RES, 1.2-1/8W J	USFD	CX-NAJ503
O	P-SUPPLY/PWB/FAN	W 0099	8A-NF9-609-010	1A	F-CABLE, 9P 2.5 480MM	USFD	CX-NAJ500
O	P-SUPPLY/PWB/FAN	W 0099	8A-NF9-609-010	1A	F-CABLE, 9P 2.5 480MM	EZSFD	CX-NSZ500
!	O P-SUPPLY/PWB/FAN	WH 0001	87-A90-510-010	0E	HLDR, WIRE 2.5-9P	LHSFD	CX-NSZ500
!	O P-SUPPLY/PWB/FAN	WH 0001	87-A90-510-010	0E	HLDR, WIRE 2.5-9P	USFD	CX-NAJ500
!	O P-SUPPLY/PWB/FAN	WH 0001	87-A90-510-010	0E	HLDR, WIRE 2.5-9P	USFD	CX-NAJ503
!	O P-SUPPLY/PWB/FAN	WH 0001	87-A90-510-010	0E	HLDR, WIRE 2.5-9P	EZSFD	CX-NSZ500
X	PACKING		87-B40-057-010	0E	BAG, PP 0.03-150-200	EZSFD	CX-NSZ500
X	PACKING		87-B40-098-010		BAG, PV 0.025-650-750 PL	LHSFD	CX-NSZ500
X	PACKING		87-B40-098-010	0E	BAG, PV 0.025-650-750 PL	USFD	CX-NAJ500
X	PACKING		87-B40-098-010	0E	BAG, PV 0.025-650-750 PL	USFD	CX-NAJ503
X	PACKING		87-B40-098-010	0E	BAG, PV 0.025-650-750 PL	EZSFD	CX-NSZ500
X	PACKING		8B-NFK-859-010	--	CUSHION, FRONT FD	USFD	CX-NAJ500
X	PACKING		8B-NFK-859-010	--	CUSHION, FRONT FD	USFD	CX-NAJ503
X	PACKING		8B-NFK-859-010	--	CUSHION, FRONT FD	EZSFD	CX-NSZ500
X	PACKING		8B-NFK-860-010	--	CUSHION, REAR FD	USFD	CX-NAJ500
X	PACKING		8B-NFK-860-010	--	CUSHION, REAR FD	USFD	CX-NAJ503
X	PACKING		8B-NFK-861-010	--	CUSHION, FRONT/LHFD	LHSFD	CX-NSZ500
X	PACKING		8B-NFK-862-010	--	CUSHION, REAR/LHFD	LHSFD	CX-NSZ500
X	PACKING		8B-NFK-863-010	--	CTN, PRINTED LHSFD	LHSFD	CX-NSZ500
X	PACKING		8B-NFK-865-010	--	CTN, PRINTED EZSFD	EZSFD	CX-NSZ500
X	PACKING		8B-NFK-866-010	--	CTN, PRINTED USFD	USFD	CX-NAJ500
X	PACKING		8B-NFK-867-010	--	CTN, PRINTED 503USFD	USFD	CX-NAJ503
X	PACKING		8Z-NF8-864-010	--	PAD, BOX FD	USFD	CX-NAJ500
X	PACKING		8Z-NF8-864-010	--	PAD, BOX FD	USFD	CX-NAJ503
X	PACKING		8Z-NF8-864-010	--	PAD, BOX FD	EZSFD	CX-NSZ500
X	PACKING		93-704-337-010		SH, FOAMED-MAT 0.31-800-500	LHSFD	CX-NSZ500
X	PACKING		93-704-337-010	1A	SH, FOAMED-MAT 0.31-800-500	USFD	CX-NAJ500
X	PACKING		93-704-337-010	1A	SH, FOAMED-MAT 0.31-800-500	USFD	CX-NAJ503
X	PACKING		93-704-337-010	1A	SH, FOAMED-MAT 0.31-800-500	EZSFD	CX-NSZ500
X	PLATE		84-711-909-010	1A	LBL DATE CODE	USFD	CX-NAJ500
X	PLATE		84-711-909-010	1A	LBL DATE CODE	USFD	CX-NAJ503
!	X PLATE		87-057-961-010		LBL, CAUTION TRIANGLE	LHSFD	CX-NSZ500
!	X PLATE		87-057-961-010	0E	LBL, CAUTION TRIANGLE	EZSFD	CX-NSZ500
!	X PLATE		87-057-995-010		LBL, CAUTION EFSD	LHSFD	CX-NSZ500
!	X PLATE		87-057-995-010	0E	LBL, CAUTION EFSD	EZSFD	CX-NSZ500
X	PLATE		87-B40-016-010	0E	BAG, PP (BAR-CODE)	USFD	CX-NAJ500
X	PLATE		87-B40-016-010	0E	BAG, PP (BAR-CODE)	USFD	CX-NAJ503
X	PLATE		87-B40-281-010		LBL, BAR-CODE A 35X8	LHSFD	CX-NSZ500
X	PLATE		87-B40-281-010	0E	LBL, BAR-CODE A 35X8	EZSFD	CX-NSZ500
X	PLATE		87-B40-287-010	0E	LBL, BAR-CODE EU 35X8	USFD	CX-NAJ500
X	PLATE		87-B40-287-010	0E	LBL, BAR-CODE EU 35X8	USFD	CX-NAJ503
X	PLATE		8B-NFK-025-010		SH, CD	LHSFD	CX-NSZ500
X	PLATE		8B-NFK-025-010	0E	SH, CD	USFD	CX-NAJ500
X	PLATE		8B-NFK-025-010	0E	SH, CD	USFD	CX-NAJ503
X	PLATE		8B-NFK-025-010	0E	SH, CD	EZSFD	CX-NSZ500
O	POWER AMP	C 0101	87-012-279-080		C-CAP, U 2700P-50 K B GRM	LHSFD	CX-NSZ500
O	POWER AMP	C 0101	87-012-279-080	0E	C-CAP, U 2700P-50 K B GRM	USFD	CX-NAJ500
O	POWER AMP	C 0101	87-012-279-080	0E	C-CAP, U 2700P-50 K B GRM	USFD	CX-NAJ503
O	POWER AMP	C 0101	87-012-279-080	0E	C-CAP, U 2700P-50 K B GRM	EZSFD	CX-NSZ500
O	POWER AMP	C 0102	87-012-279-080	0E	C-CAP, U 2700P-50 K B GRM	LHSFD	CX-NSZ500
O	POWER AMP	C 0102	87-012-279-080	0E	C-CAP, U 2700P-50 K B GRM	USFD	CX-NAJ500
O	POWER AMP	C 0102	87-012-279-080	0E	C-CAP, U 2700P-50 K B GRM	USFD	CX-NAJ503
O	POWER AMP	C 0102	87-012-279-080	0E	C-CAP, U 2700P-50 K B GRM	EZSFD	CX-NSZ500
O	POWER AMP	C 0103	87-A12-084-080		CAP, E 0.22-50 SMG	LHSFD	CX-NSZ500
O	POWER AMP	C 0103	87-A12-084-080	0E	CAP, E 0.22-50 SMG	USFD	CX-NAJ500
O	POWER AMP	C 0103	87-A12-084-080	0E	CAP, E 0.22-50 SMG	USFD	CX-NAJ503
O	POWER AMP	C 0103	87-A12-084-080	0E	CAP, E 0.22-50 SMG	EZSFD	CX-NSZ500
O	POWER AMP	C 0104	87-A12-084-080		CAP, E 0.22-50 SMG	LHSFD	CX-NSZ500
O	POWER AMP	C 0104	87-A12-084-080	0E	CAP, E 0.22-50 SMG	USFD	CX-NAJ500
O	POWER AMP	C 0104	87-A12-084-080	0E	CAP, E 0.22-50 SMG	USFD	CX-NAJ503
O	POWER AMP	C 0104	87-A12-084-080	0E	CAP, E 0.22-50 SMG	EZSFD	CX-NSZ500
O	POWER AMP	C 0105	87-012-277-080		C-CAP, U 1800P-50 K B GRM	LHSFD	CX-NSZ500
O	POWER AMP	C 0105	87-012-277-080	0E	C-CAP, U 1800P-50 K B GRM	USFD	CX-NAJ500
O	POWER AMP	C 0105	87-012-277-080	0E	C-CAP, U 1800P-50 K B GRM	USFD	CX-NAJ503

PARTS LIST

! = Δ SAFTY PARTS
 C = Components marked

All components used on this model at the production line are shown in this service manual.

However, please note that not all components will be available as spare parts for after-sales service.

Components marked S and O are designated as spare parts for service and will be stocked at the spare parts centers.

Components marked X and R are not designated as spare parts for after sales service, and will not be stocked at the spare parts centers.

K NO. = Only use Japanese.

! C	UNIT NAME	REF NO.	PARTS CODE	K NO.	DESCRIPTION	SUFFIX	MODEL NAME
O	POWER AMP	C 0105	87-012-277-080	0E	C-CAP,U 1800P-50 K B GRM	EZSFD	CX-NSZ500
O	POWER AMP	C 0106	87-012-277-080		C-CAP,U 1800P-50 K B GRM	LHSFD	CX-NSZ500
O	POWER AMP	C 0106	87-012-277-080	0E	C-CAP,U 1800P-50 K B GRM	USFD	CX-NAJ500
O	POWER AMP	C 0106	87-012-277-080	0E	C-CAP,U 1800P-50 K B GRM	USFD	CX-NAJ503
O	POWER AMP	C 0106	87-012-277-080	0E	C-CAP,U 1800P-50 K B GRM	EZSFD	CX-NSZ500
O	POWER AMP	C 0107	87-A12-089-080		CAP,E 3.3-50 SMG	LHSFD	CX-NSZ500
O	POWER AMP	C 0107	87-A12-089-080	0E	CAP,E 3.3-50 SMG	USFD	CX-NAJ500
O	POWER AMP	C 0107	87-A12-089-080	0E	CAP,E 3.3-50 SMG	USFD	CX-NAJ503
O	POWER AMP	C 0107	87-A12-089-080	0E	CAP,E 3.3-50 SMG	EZSFD	CX-NSZ500
O	POWER AMP	C 0108	87-A12-089-080		CAP,E 3.3-50 SMG	LHSFD	CX-NSZ500
O	POWER AMP	C 0108	87-A12-089-080	0E	CAP,E 3.3-50 SMG	USFD	CX-NAJ500
O	POWER AMP	C 0108	87-A12-089-080	0E	CAP,E 3.3-50 SMG	USFD	CX-NAJ503
O	POWER AMP	C 0108	87-A12-089-080	0E	CAP,E 3.3-50 SMG	EZSFD	CX-NSZ500
O	POWER AMP	C 0109	87-012-195-080	0E	C-CAP,U 100P-50 J CH	USFD	CX-NSZ500
O	POWER AMP	C 0110	87-012-195-080	0E	C-CAP,U 100P-50 J CH	EZSFD	CX-NSZ500
O	POWER AMP	C 0111	87-A12-077-080		CAP,E 33-35 SMG	LHSFD	CX-NSZ500
O	POWER AMP	C 0111	87-A12-077-080	0E	CAP,E 33-35 SMG	USFD	CX-NAJ500
O	POWER AMP	C 0111	87-A12-077-080	0E	CAP,E 33-35 SMG	USFD	CX-NAJ503
O	POWER AMP	C 0111	87-A12-077-080	0E	CAP,E 33-35 SMG	EZSFD	CX-NSZ500
O	POWER AMP	C 0112	87-A12-077-080		CAP,E 33-35 SMG	LHSFD	CX-NSZ500
O	POWER AMP	C 0112	87-A12-077-080	0E	CAP,E 33-35 SMG	USFD	CX-NAJ500
O	POWER AMP	C 0112	87-A12-077-080	0E	CAP,E 33-35 SMG	USFD	CX-NAJ503
O	POWER AMP	C 0112	87-A12-077-080	0E	CAP,E 33-35 SMG	EZSFD	CX-NSZ500
O	POWER AMP	C 0113	87-010-322-080	0E	C-CAP,S 100P-50 J CH GRM	USFD	CX-NAJ503
O	POWER AMP	C 0113	87-A10-596-080		C-CAP,S 100P-100 J CH	LHSFD	CX-NSZ500
O	POWER AMP	C 0113	87-A10-596-080	0E	C-CAP,S 100P-100 J CH	USFD	CX-NAJ500
O	POWER AMP	C 0113	87-A10-596-080	0E	C-CAP,S 100P-100 J CH	EZSFD	CX-NSZ500
O	POWER AMP	C 0114	87-010-322-080	0E	C-CAP,S 100P-50 J CH GRM	USFD	CX-NAJ503
O	POWER AMP	C 0114	87-A10-596-080		C-CAP,S 100P-100 J CH	LHSFD	CX-NSZ500
O	POWER AMP	C 0114	87-A10-596-080	0E	C-CAP,S 100P-100 J CH	USFD	CX-NAJ500
O	POWER AMP	C 0114	87-A10-596-080	0E	C-CAP,S 100P-100 J CH	EZSFD	CX-NSZ500
O	POWER AMP	C 0117	87-012-368-080		C-CAP,S 0.1-50 Z F	LHSFD	CX-NSZ500
O	POWER AMP	C 0117	87-012-368-080	0E	C-CAP,S 0.1-50 Z F	USFD	CX-NAJ500
O	POWER AMP	C 0117	87-012-368-080	0E	C-CAP,S 0.1-50 Z F	USFD	CX-NAJ503
O	POWER AMP	C 0117	87-012-368-080	0E	C-CAP,S 0.1-50 Z F	EZSFD	CX-NSZ500
O	POWER AMP	C 0118	87-012-368-080		C-CAP,S 0.1-50 Z F	LHSFD	CX-NSZ500
O	POWER AMP	C 0118	87-012-368-080	0E	C-CAP,S 0.1-50 Z F	USFD	CX-NAJ500
O	POWER AMP	C 0118	87-012-368-080	0E	C-CAP,S 0.1-50 Z F	USFD	CX-NAJ503
O	POWER AMP	C 0118	87-012-368-080	0E	C-CAP,S 0.1-50 Z F	EZSFD	CX-NSZ500
O	POWER AMP	C 0119	87-012-286-080		C-CAP,U 0.01-25 K B	LHSFD	CX-NSZ500
O	POWER AMP	C 0119	87-012-286-080	0E	C-CAP,U 0.01-25 K B	USFD	CX-NAJ500
O	POWER AMP	C 0119	87-012-286-080	0E	C-CAP,U 0.01-25 K B	USFD	CX-NAJ503
O	POWER AMP	C 0120	87-012-286-080		C-CAP,U 0.01-25 K B	LHSFD	CX-NSZ500
O	POWER AMP	C 0120	87-012-286-080	0E	C-CAP,U 0.01-25 K B	USFD	CX-NAJ500
O	POWER AMP	C 0120	87-012-286-080	0E	C-CAP,U 0.01-25 K B	USFD	CX-NAJ503
O	POWER AMP	C 0120	87-012-286-080	0E	C-CAP,U 0.01-25 K B	EZSFD	CX-NSZ500
O	POWER AMP	C 0123	87-010-177-080		C-CAP,S 820P-50 J SL C2012	LHSFD	CX-NSZ500
O	POWER AMP	C 0123	87-010-177-080	0E	C-CAP,S 820P-50 J SL C2012	USFD	CX-NAJ500
O	POWER AMP	C 0123	87-010-177-080	0E	C-CAP,S 820P-50 J SL C2012	USFD	CX-NAJ503
O	POWER AMP	C 0123	87-010-177-080	0E	C-CAP,S 820P-50 J SL C2012	EZSFD	CX-NSZ500
O	POWER AMP	C 0124	87-010-177-080		C-CAP,S 820P-50 J SL C2012	LHSFD	CX-NSZ500
O	POWER AMP	C 0124	87-010-177-080	0E	C-CAP,S 820P-50 J SL C2012	USFD	CX-NAJ500
O	POWER AMP	C 0124	87-010-177-080	0E	C-CAP,S 820P-50 J SL C2012	USFD	CX-NAJ503
O	POWER AMP	C 0124	87-010-177-080	0E	C-CAP,S 820P-50 J SL C2012	EZSFD	CX-NSZ500
O	POWER AMP	C 0133	87-012-282-080		C-CAP,U 4700P-50 K B	LHSFD	CX-NSZ500
O	POWER AMP	C 0133	87-012-282-080	0E	C-CAP,U 4700P-50 K B	USFD	CX-NAJ500
O	POWER AMP	C 0133	87-012-282-080	0E	C-CAP,U 4700P-50 K B	USFD	CX-NAJ503
O	POWER AMP	C 0133	87-012-282-080	0E	C-CAP,U 4700P-50 K B	EZSFD	CX-NSZ500
O	POWER AMP	C 0140	87-012-278-080		C-CAP,U 2200P-50 K B	LHSFD	CX-NSZ500
O	POWER AMP	C 0140	87-012-278-080	0E	C-CAP,U 2200P-50 K B	USFD	CX-NAJ500
O	POWER AMP	C 0140	87-012-278-080	0E	C-CAP,U 2200P-50 K B	USFD	CX-NAJ503
O	POWER AMP	C 0140	87-012-278-080	0E	C-CAP,U 2200P-50 K B	EZSFD	CX-NSZ500
O	POWER AMP	C 0186	87-010-759-080		C-CAP,U 0.1-25 Z F	LHSFD	CX-NSZ500
O	POWER AMP	C 0186	87-010-759-080	0E	C-CAP,U 0.1-25 Z F	USFD	CX-NAJ500
O	POWER AMP	C 0186	87-010-759-080	0E	C-CAP,U 0.1-25 Z F	USFD	CX-NAJ503
O	POWER AMP	C 0186	87-010-759-080	0E	C-CAP,U 0.1-25 Z F	EZSFD	CX-NSZ500
O	POWER AMP	C 0187	87-010-866-080		CAP,E 10-63 M VX	LHSFD	CX-NSZ500
O	POWER AMP	C 0187	87-010-866-080	0E	CAP,E 10-63 M VX	USFD	CX-NAJ500
O	POWER AMP	C 0187	87-010-866-080	0E	CAP,E 10-63 M VX	EZSFD	CX-NSZ500

PARTS LIST

! = Δ SAFTY PARTS
 C = Components marked

All components used on this model at the production line are shown in this service manual.

However, please note that not all components will be available as spare parts for after-sales service.

Components marked S and O are designated as spare parts for service and will be stocked at the spare parts centers.

Components marked X and R are not designated as spare parts for after sales service, and will not be stocked at the spare parts centers.

K NO. = Only use japanese.

! C	UNIT NAME	REF NO.	PARTS CODE	K NO.	DESCRIPTION	SUFFIX	MODEL NAME
O	POWER AMP	C 0187	87-A12-091-080	0E	CAP,E 10-50 SMG	USFD	CX-NAJ503
O	POWER AMP	C 0188	87-010-866-080		CAP,E 10-63 M VX	LHSFD	CX-NSZ500
O	POWER AMP	C 0188	87-010-866-080	0E	CAP,E 10-63 M VX	USFD	CX-NAJ500
O	POWER AMP	C 0188	87-010-866-080	0E	CAP,E 10-63 M VX	EZSFD	CX-NSZ500
O	POWER AMP	C 0188	87-A12-091-080	0E	CAP,E 10-50 SMG	USFD	CX-NAJ503
O	POWER AMP	C 0223	87-010-176-080	0E	C-CAP,S 680P-50 J SL	EZSFD	CX-NSZ500
O	POWER AMP	C 0224	87-010-176-080	0E	C-CAP,S 680P-50 J SL	EZSFD	CX-NSZ500
O	POWER AMP	C 0225	87-010-196-080	0E	C-CAP,S 0.1-25 Z F C2012	USFD	CX-NAJ503
O	POWER AMP	C 0225	87-012-368-080		C-CAP,S 0.1-50 Z F	LHSFD	CX-NSZ500
O	POWER AMP	C 0225	87-012-368-080	0E	C-CAP,S 0.1-50 Z F	USFD	CX-NAJ500
O	POWER AMP	C 0225	87-012-368-080	0E	C-CAP,S 0.1-50 Z F	EZSFD	CX-NSZ500
O	POWER AMP	C 0226	87-010-196-080	0E	C-CAP,S 0.1-25 Z F C2012	USFD	CX-NAJ503
O	POWER AMP	C 0226	87-012-368-080		C-CAP,S 0.1-50 Z F	LHSFD	CX-NSZ500
O	POWER AMP	C 0226	87-012-368-080	0E	C-CAP,S 0.1-50 Z F	USFD	CX-NAJ500
O	POWER AMP	C 0226	87-012-368-080	0E	C-CAP,S 0.1-50 Z F	EZSFD	CX-NSZ500
O	POWER AMP	C 0227	87-010-196-080	0E	C-CAP,S 0.1-25 Z F C2012	USFD	CX-NAJ503
O	POWER AMP	C 0227	87-012-368-080		C-CAP,S 0.1-50 Z F	LHSFD	CX-NSZ500
O	POWER AMP	C 0227	87-012-368-080	0E	C-CAP,S 0.1-50 Z F	USFD	CX-NAJ500
O	POWER AMP	C 0227	87-012-368-080	0E	C-CAP,S 0.1-50 Z F	EZSFD	CX-NSZ500
O	POWER AMP	C 0228	87-010-196-080	0E	C-CAP,S 0.1-25 Z F C2012	USFD	CX-NAJ503
O	POWER AMP	C 0228	87-012-368-080		C-CAP,S 0.1-50 Z F	LHSFD	CX-NSZ500
O	POWER AMP	C 0228	87-012-368-080	0E	C-CAP,S 0.1-50 Z F	USFD	CX-NAJ500
O	POWER AMP	C 0228	87-012-368-080	0E	C-CAP,S 0.1-50 Z F	EZSFD	CX-NSZ500
O	POWER AMP	C 0229	87-010-191-080	0E	C-CAP,S 0.015-50 Z F GRM	EZSFD	CX-NSZ500
O	POWER AMP	C 0230	87-010-191-080	0E	C-CAP,S 0.015-50 Z F GRM	EZSFD	CX-NSZ500
O	POWER AMP	C 0231	87-012-286-080	0E	C-CAP,U 0.01-25 K B	EZSFD	CX-NSZ500
O	POWER AMP	C 0232	87-012-286-080	0E	C-CAP,U 0.01-25 K B	EZSFD	CX-NSZ500
O	POWER AMP	C 0235	87-A12-094-080	0E	CAP,E 47-50 SMG	USFD	CX-NAJ503
O	POWER AMP	C 0236	87-A12-094-080	0E	CAP,E 47-50 SMG	USFD	CX-NAJ503
O	POWER AMP	C 0241	87-010-831-080		C-CAP,U 0.1-16 Z F	LHSFD	CX-NSZ500
O	POWER AMP	C 0241	87-010-831-080	0E	C-CAP,U 0.1-16 Z F	USFD	CX-NAJ500
O	POWER AMP	C 0241	87-010-831-080	0E	C-CAP,U 0.1-16 Z F	USFD	CX-NAJ503
O	POWER AMP	C 0241	87-010-831-080	0E	C-CAP,U 0.1-16 Z F	EZSFD	CX-NSZ500
S	POWER AMP	D 0101	87-A40-269-080		C-DIODE,MC2836	LHSFD	CX-NSZ500
S	POWER AMP	D 0101	87-A40-269-080	0E	C-DIODE,MC2836	USFD	CX-NAJ500
S	POWER AMP	D 0101	87-A40-269-080	0E	C-DIODE,MC2836	USFD	CX-NAJ503
S	POWER AMP	D 0101	87-A40-269-080	0E	C-DIODE,MC2836	EZSFD	CX-NSZ500
S	POWER AMP	D 0103	87-A40-291-080		DIODE,1N4148M (CPT)	LHSFD	CX-NSZ500
S	POWER AMP	D 0103	87-A40-291-080	0E	DIODE,1N4148M (CPT)	USFD	CX-NAJ500
S	POWER AMP	D 0103	87-A40-291-080	0E	DIODE,1N4148M (CPT)	USFD	CX-NAJ503
S	POWER AMP	D 0103	87-A40-291-080	0E	DIODE,1N4148M (CPT)	EZSFD	CX-NSZ500
S	POWER AMP	D 0104	87-A40-291-080		DIODE,1N4148M (CPT)	LHSFD	CX-NSZ500
S	POWER AMP	D 0104	87-A40-291-080	0E	DIODE,1N4148M (CPT)	USFD	CX-NAJ500
S	POWER AMP	D 0104	87-A40-291-080	0E	DIODE,1N4148M (CPT)	USFD	CX-NAJ503
S	POWER AMP	D 0104	87-A40-291-080	0E	DIODE,1N4148M (CPT)	EZSFD	CX-NSZ500
S	POWER AMP	D 0105	87-A40-291-080		DIODE,1N4148M (CPT)	LHSFD	CX-NSZ500
S	POWER AMP	D 0105	87-A40-291-080	0E	DIODE,1N4148M (CPT)	USFD	CX-NAJ500
S	POWER AMP	D 0105	87-A40-291-080	0E	DIODE,1N4148M (CPT)	USFD	CX-NAJ503
S	POWER AMP	D 0105	87-A40-291-080	0E	DIODE,1N4148M (CPT)	EZSFD	CX-NSZ500
S	POWER AMP	D 0106	87-A40-291-080		DIODE,1N4148M (CPT)	LHSFD	CX-NSZ500
S	POWER AMP	D 0106	87-A40-291-080	0E	DIODE,1N4148M (CPT)	USFD	CX-NAJ500
S	POWER AMP	D 0106	87-A40-291-080	0E	DIODE,1N4148M (CPT)	USFD	CX-NAJ503
S	POWER AMP	D 0106	87-A40-291-080	0E	DIODE,1N4148M (CPT)	EZSFD	CX-NSZ500
S	POWER AMP	D 0107	87-A40-291-080		DIODE,1N4148M (CPT)	LHSFD	CX-NSZ500
S	POWER AMP	D 0107	87-A40-291-080	0E	DIODE,1N4148M (CPT)	USFD	CX-NAJ500
S	POWER AMP	D 0107	87-A40-291-080	0E	DIODE,1N4148M (CPT)	USFD	CX-NAJ503
S	POWER AMP	D 0107	87-A40-291-080	0E	DIODE,1N4148M (CPT)	EZSFD	CX-NSZ500
S	POWER AMP	D 0108	87-A40-291-080		DIODE,1N4148M (CPT)	LHSFD	CX-NSZ500
S	POWER AMP	D 0108	87-A40-291-080	0E	DIODE,1N4148M (CPT)	USFD	CX-NAJ500
S	POWER AMP	D 0108	87-A40-291-080	0E	DIODE,1N4148M (CPT)	USFD	CX-NAJ503
S	POWER AMP	D 0108	87-A40-291-080	0E	DIODE,1N4148M (CPT)	EZSFD	CX-NSZ500
S	POWER AMP	D 0115	87-A40-270-080		C-DIODE,MC2838	LHSFD	CX-NSZ500
S	POWER AMP	D 0115	87-A40-270-080	0E	C-DIODE,MC2838	USFD	CX-NAJ500
S	POWER AMP	D 0115	87-A40-270-080	0E	C-DIODE,MC2838	USFD	CX-NAJ503
S	POWER AMP	D 0115	87-A40-270-080	0E	C-DIODE,MC2838	EZSFD	CX-NSZ500
S	POWER AMP	D 0117	87-A40-291-080		DIODE,1N4148M (CPT)	LHSFD	CX-NSZ500
S	POWER AMP	D 0117	87-A40-291-080	0E	DIODE,1N4148M (CPT)	USFD	CX-NAJ500
S	POWER AMP	D 0117	87-A40-291-080	0E	DIODE,1N4148M (CPT)	USFD	CX-NAJ503
S	POWER AMP	D 0117	87-A40-291-080	0E	DIODE,1N4148M (CPT)	EZSFD	CX-NSZ500
S	POWER AMP	D 0118	87-A40-291-080		DIODE,1N4148M (CPT)	LHSFD	CX-NSZ500

PARTS LIST

! = Δ SAFTY PARTS
 C = Components marked

All components used on this model at the production line are shown in this service manual.

However, please note that not all components will be available as spare parts for after-sales service.

Components marked S and O are designated as spare parts for service and will be stocked at the spare parts centers.

Components marked X and R are not designated as spare parts for after sales service, and will not be stocked at the spare parts centers.

K NO. = Only use japanese.

! C	UNIT NAME	REF NO.	PARTS CODE	K NO.	DESCRIPTION	SUFFIX	MODEL NAME
S	POWER AMP	D 0118	87-A40-291-080	0E	DIODE,1N4148M (CPT)	USFD	CX-NAJ500
S	POWER AMP	D 0118	87-A40-291-080	0E	DIODE,1N4148M (CPT)	USFD	CX-NAJ503
S	POWER AMP	D 0118	87-A40-291-080	0E	DIODE,1N4148M (CPT)	EZSFD	CX-NSZ500
S	POWER AMP	D 0150	87-A40-270-080		C-DIODE,MC2838	LHSFD	CX-NSZ500
S	POWER AMP	D 0150	87-A40-270-080	0E	C-DIODE,MC2838	USFD	CX-NAJ500
S	POWER AMP	D 0150	87-A40-270-080	0E	C-DIODE,MC2838	USFD	CX-NAJ503
S	POWER AMP	D 0150	87-A40-270-080	0E	C-DIODE,MC2838	EZSFD	CX-NSZ500
S	POWER AMP	D 0160	87-A40-270-080		C-DIODE,MC2838	LHSFD	CX-NSZ500
S	POWER AMP	D 0160	87-A40-270-080	0E	C-DIODE,MC2838	USFD	CX-NAJ500
S	POWER AMP	D 0160	87-A40-270-080	0E	C-DIODE,MC2838	USFD	CX-NAJ503
S	POWER AMP	D 0160	87-A40-270-080	0E	C-DIODE,MC2838	EZSFD	CX-NSZ500
S	POWER AMP	D 0185	87-A40-393-090		DIODE,1N5402GW (F20)	LHSFD	CX-NSZ500
S	POWER AMP	D 0185	87-A40-393-090	0E	DIODE,1N5402GW (F20)	USFD	CX-NAJ500
S	POWER AMP	D 0185	87-A40-393-090	0E	DIODE,1N5402GW (F20)	USFD	CX-NAJ503
S	POWER AMP	D 0185	87-A40-393-090	0E	DIODE,1N5402GW (F20)	EZSFD	CX-NSZ500
S	POWER AMP	D 0186	87-A40-393-090		DIODE,1N5402GW (F20)	LHSFD	CX-NSZ500
S	POWER AMP	D 0186	87-A40-393-090	0E	DIODE,1N5402GW (F20)	USFD	CX-NAJ500
S	POWER AMP	D 0186	87-A40-393-090	0E	DIODE,1N5402GW (F20)	USFD	CX-NAJ503
S	POWER AMP	D 0186	87-A40-393-090	0E	DIODE,1N5402GW (F20)	EZSFD	CX-NSZ500
S	POWER AMP	D 0187	87-A40-747-080		ZENER,UZ5.1BSB	LHSFD	CX-NSZ500
S	POWER AMP	D 0187	87-A40-747-080	0E	ZENER,UZ5.1BSB	USFD	CX-NAJ500
S	POWER AMP	D 0187	87-A40-747-080	0E	ZENER,UZ5.1BSB	USFD	CX-NAJ503
S	POWER AMP	D 0187	87-A40-747-080	0E	ZENER,UZ5.1BSB	EZSFD	CX-NSZ500
S	POWER AMP	D 0188	87-A40-749-080		ZENER,UZ5.6BSB	LHSFD	CX-NSZ500
S	POWER AMP	D 0188	87-A40-749-080	0E	ZENER,UZ5.6BSB	USFD	CX-NAJ500
S	POWER AMP	D 0188	87-A40-749-080	0E	ZENER,UZ5.6BSB	USFD	CX-NAJ503
S	POWER AMP	D 0188	87-A40-749-080	0E	ZENER,UZ5.6BSB	EZSFD	CX-NSZ500
S	POWER AMP	D 0189	87-A40-270-080		C-DIODE,MC2838	LHSFD	CX-NSZ500
S	POWER AMP	D 0189	87-A40-270-080	0E	C-DIODE,MC2838	USFD	CX-NAJ500
S	POWER AMP	D 0189	87-A40-270-080	0E	C-DIODE,MC2838	USFD	CX-NAJ503
S	POWER AMP	D 0189	87-A40-270-080	0E	C-DIODE,MC2838	EZSFD	CX-NSZ500
S	POWER AMP	D 0190	87-A40-269-080		C-DIODE,MC2836	LHSFD	CX-NSZ500
S	POWER AMP	D 0190	87-A40-269-080	0E	C-DIODE,MC2836	USFD	CX-NAJ500
S	POWER AMP	D 0190	87-A40-269-080	0E	C-DIODE,MC2836	USFD	CX-NAJ503
S	POWER AMP	D 0190	87-A40-269-080	0E	C-DIODE,MC2836	EZSFD	CX-NSZ500
S	POWER AMP	D 0191	87-A40-764-080		ZENER,UZ10BSC	LHSFD	CX-NSZ500
S	POWER AMP	D 0191	87-A40-764-080	0E	ZENER,UZ10BSC	USFD	CX-NAJ500
S	POWER AMP	D 0191	87-A40-764-080	0E	ZENER,UZ10BSC	USFD	CX-NAJ503
S	POWER AMP	D 0191	87-A40-764-080	0E	ZENER,UZ10BSC	EZSFD	CX-NSZ500
S	POWER AMP	D 0192	87-A40-291-080		DIODE,1N4148M (CPT)	LHSFD	CX-NSZ500
S	POWER AMP	D 0192	87-A40-291-080	0E	DIODE,1N4148M (CPT)	USFD	CX-NAJ500
S	POWER AMP	D 0192	87-A40-291-080	0E	DIODE,1N4148M (CPT)	USFD	CX-NAJ503
S	POWER AMP	D 0192	87-A40-291-080	0E	DIODE,1N4148M (CPT)	EZSFD	CX-NSZ500
S	POWER AMP	D 0193	87-A40-291-080		DIODE,1N4148M (CPT)	LHSFD	CX-NSZ500
S	POWER AMP	D 0193	87-A40-291-080	0E	DIODE,1N4148M (CPT)	USFD	CX-NAJ500
S	POWER AMP	D 0193	87-A40-291-080	0E	DIODE,1N4148M (CPT)	USFD	CX-NAJ503
S	POWER AMP	D 0193	87-A40-291-080	0E	DIODE,1N4148M (CPT)	EZSFD	CX-NSZ500
O	POWER AMP	J 0201	87-A60-488-010		JACK,DIA6.3 BLK ST W/SW KM16AT	LHSFD	CX-NSZ500
O	POWER AMP	J 0201	87-A60-488-010	1B	JACK,DIA6.3 BLK ST W/SW KM16AT	USFD	CX-NAJ500
O	POWER AMP	J 0201	87-A60-488-010	1B	JACK,DIA6.3 BLK ST W/SW KM16AT	USFD	CX-NAJ503
O	POWER AMP	J 0201	87-A60-488-010	1B	JACK,DIA6.3 BLK ST W/SW KM16AT	EZSFD	CX-NSZ500
!	O	POWER AMP	J 0203	87-A60-238-010	TERMINAL, SP 4P (MSC)	LHSFD	CX-NSZ500
!	O	POWER AMP	J 0203	87-A60-238-010	1A TERMINAL, SP 4P (MSC)	USFD	CX-NAJ500
!	O	POWER AMP	J 0203	87-A60-238-010	1A TERMINAL, SP 4P (MSC)	USFD	CX-NAJ503
!	O	POWER AMP	J 0203	87-A60-238-010	1A TERMINAL, SP 4P (MSC)	EZSFD	CX-NSZ500
O	POWER AMP	J 0205	87-A60-881-010	0E	JACK,PIN 2P MSP 242V05 PBSN	USFD	CX-NAJ503
X	POWER AMP	JR 0101	88-108-000-080		C-JUMPER,U	LHSFD	CX-NSZ500
X	POWER AMP	JR 0101	88-108-000-080	0E	C-JUMPER,U	USFD	CX-NAJ500
X	POWER AMP	JR 0101	88-108-000-080	0E	C-JUMPER,U	USFD	CX-NAJ503
X	POWER AMP	JR 0101	88-108-000-080	0E	C-JUMPER,U	EZSFD	CX-NSZ500
X	POWER AMP	JR 0102	88-108-000-080		C-JUMPER,U	LHSFD	CX-NSZ500
X	POWER AMP	JR 0102	88-108-000-080	0E	C-JUMPER,U	USFD	CX-NAJ500
X	POWER AMP	JR 0102	88-108-000-080	0E	C-JUMPER,U	USFD	CX-NAJ503
X	POWER AMP	JR 0102	88-108-000-080	0E	C-JUMPER,U	EZSFD	CX-NSZ500
X	POWER AMP	JR 0103	88-108-000-080		C-JUMPER,U	LHSFD	CX-NSZ500
X	POWER AMP	JR 0103	88-108-000-080	0E	C-JUMPER,U	USFD	CX-NAJ500
X	POWER AMP	JR 0103	88-108-000-080	0E	C-JUMPER,U	USFD	CX-NAJ503
X	POWER AMP	JR 0103	88-108-000-080	0E	C-JUMPER,U	EZSFD	CX-NSZ500
X	POWER AMP	JR 0104	88-108-000-080		C-JUMPER,U	LHSFD	CX-NSZ500
X	POWER AMP	JR 0104	88-108-000-080	0E	C-JUMPER,U	USFD	CX-NAJ500

PARTS LIST

! = Δ SAFTY PARTS
 C = Components marked

All components used on this model at the production line are shown in this service manual.

However, please note that not all components will be available as spare parts for after-sales service.

Components marked S and O are designated as spare parts for service and will be stocked at the spare parts centers.

Components marked X and R are not designated as spare parts for after sales service, and will not be stocked at the spare parts centers.

K NO. = Only use Japanese.

! C	UNIT NAME	REF NO.	PARTS CODE	K NO.	DESCRIPTION	SUFFIX	MODEL NAME
X	POWER AMP	JR 0104	88-108-000-080	0E	C-JUMPER, U	USFD	CX-NAJ503
X	POWER AMP	JR 0104	88-108-000-080	0E	C-JUMPER, U	EZSFD	CX-NSZ500
X	POWER AMP	JR 0105	88-128-273-080		C-RES, 27K-1/8W J	LHSFD	CX-NSZ500
X	POWER AMP	JR 0105	88-128-273-080	0E	C-RES, 27K-1/8W J	USFD	CX-NAJ500
X	POWER AMP	JR 0105	88-128-273-080	0E	C-RES, 27K-1/8W J	USFD	CX-NAJ503
X	POWER AMP	JR 0105	88-128-273-080	0E	C-RES, 27K-1/8W J	EZSFD	CX-NSZ500
X	POWER AMP	JR 0107	88-108-000-080		C-JUMPER, U	LHSFD	CX-NSZ500
X	POWER AMP	JR 0107	88-108-000-080	0E	C-JUMPER, U	USFD	CX-NAJ500
X	POWER AMP	JR 0107	88-108-000-080	0E	C-JUMPER, U	USFD	CX-NAJ503
X	POWER AMP	JR 0107	88-108-000-080	0E	C-JUMPER, U	EZSFD	CX-NSZ500
X	POWER AMP	JR 0109	88-108-000-080		C-JUMPER, U	LHSFD	CX-NSZ500
X	POWER AMP	JR 0109	88-108-000-080	0E	C-JUMPER, U	USFD	CX-NAJ500
X	POWER AMP	JR 0109	88-108-000-080	0E	C-JUMPER, U	USFD	CX-NAJ503
X	POWER AMP	JR 0109	88-108-000-080	0E	C-JUMPER, U	EZSFD	CX-NSZ500
X	POWER AMP	JR 0110	88-108-000-080		C-JUMPER, U	LHSFD	CX-NSZ500
X	POWER AMP	JR 0110	88-108-000-080	0E	C-JUMPER, U	USFD	CX-NAJ500
X	POWER AMP	JR 0110	88-108-000-080	0E	C-JUMPER, U	USFD	CX-NAJ503
X	POWER AMP	JR 0110	88-108-000-080	0E	C-JUMPER, U	EZSFD	CX-NSZ500
X	POWER AMP	JR 0111	88-129-000-080		C-JUMPER, 3216	LHSFD	CX-NSZ500
X	POWER AMP	JR 0111	88-129-000-080	0E	C-JUMPER, 3216	USFD	CX-NAJ500
X	POWER AMP	JR 0111	88-129-000-080	0E	C-JUMPER, 3216	USFD	CX-NAJ503
X	POWER AMP	JR 0111	88-129-000-080	0E	C-JUMPER, 3216	EZSFD	CX-NSZ500
X	POWER AMP	JR 0113	88-108-000-080		C-JUMPER, U	LHSFD	CX-NSZ500
X	POWER AMP	JR 0113	88-108-000-080	0E	C-JUMPER, U	USFD	CX-NAJ500
X	POWER AMP	JR 0113	88-108-000-080	0E	C-JUMPER, U	USFD	CX-NAJ503
X	POWER AMP	JR 0113	88-108-000-080	0E	C-JUMPER, U	EZSFD	CX-NSZ500
X	POWER AMP	JR 0114	88-108-000-080		C-JUMPER, U	LHSFD	CX-NSZ500
X	POWER AMP	JR 0114	88-108-000-080	0E	C-JUMPER, U	USFD	CX-NAJ500
X	POWER AMP	JR 0114	88-108-000-080	0E	C-JUMPER, U	USFD	CX-NAJ503
X	POWER AMP	JR 0114	88-108-000-080	0E	C-JUMPER, U	EZSFD	CX-NSZ500
O	POWER AMP	JR 0123	87-010-322-080	0E	C-CAP, S 100P-50 J CH GRM	USFD	CX-NAJ503
O	POWER AMP	JR 0123	87-A10-596-080		C-CAP, S 100P-100 J CH	LHSFD	CX-NSZ500
O	POWER AMP	JR 0123	87-A10-596-080	0E	C-CAP, S 100P-100 J CH	USFD	CX-NAJ500
O	POWER AMP	JR 0123	87-A10-596-080	0E	C-CAP, S 100P-100 J CH	EZSFD	CX-NSZ500
O	POWER AMP	JR 0124	87-010-322-080	0E	C-CAP, S 100P-50 J CH GRM	USFD	CX-NAJ503
O	POWER AMP	JR 0124	87-A10-596-080		C-CAP, S 100P-100 J CH	LHSFD	CX-NSZ500
O	POWER AMP	JR 0124	87-A10-596-080	0E	C-CAP, S 100P-100 J CH	USFD	CX-NAJ500
O	POWER AMP	JR 0124	87-A10-596-080	0E	C-CAP, S 100P-100 J CH	EZSFD	CX-NSZ500
O	POWER AMP	L 0201	87-A50-610-010		COIL, 1UH K (MDEC)	LHSFD	CX-NSZ500
O	POWER AMP	L 0201	87-A50-610-010	0E	COIL, 1UH K (MDEC)	USFD	CX-NAJ500
O	POWER AMP	L 0201	87-A50-610-010	0E	COIL, 1UH K (MDEC)	USFD	CX-NAJ503
O	POWER AMP	L 0201	87-A50-610-010	0E	COIL, 1UH K (MDEC)	EZSFD	CX-NSZ500
O	POWER AMP	L 0202	87-A50-610-010		COIL, 1UH K (MDEC)	LHSFD	CX-NSZ500
O	POWER AMP	L 0202	87-A50-610-010	0E	COIL, 1UH K (MDEC)	USFD	CX-NAJ500
O	POWER AMP	L 0202	87-A50-610-010	0E	COIL, 1UH K (MDEC)	USFD	CX-NAJ503
O	POWER AMP	L 0202	87-A50-610-010	0E	COIL, 1UH K (MDEC)	EZSFD	CX-NSZ500
S	POWER AMP	Q 0103	87-A30-107-070		C-TR, CMBT5401	LHSFD	CX-NSZ500
S	POWER AMP	Q 0103	87-A30-107-070	0E	C-TR, CMBT5401	USFD	CX-NAJ500
S	POWER AMP	Q 0103	87-A30-107-070	0E	C-TR, CMBT5401	USFD	CX-NAJ503
S	POWER AMP	Q 0103	87-A30-107-070	0E	C-TR, CMBT5401	EZSFD	CX-NSZ500
S	POWER AMP	Q 0104	87-A30-107-070		C-TR, CMBT5401	LHSFD	CX-NSZ500
S	POWER AMP	Q 0104	87-A30-107-070	0E	C-TR, CMBT5401	USFD	CX-NAJ500
S	POWER AMP	Q 0104	87-A30-107-070	0E	C-TR, CMBT5401	USFD	CX-NAJ503
S	POWER AMP	Q 0104	87-A30-107-070	0E	C-TR, CMBT5401	EZSFD	CX-NSZ500
S	POWER AMP	Q 0105	87-A30-107-070		C-TR, CMBT5401	LHSFD	CX-NSZ500
S	POWER AMP	Q 0105	87-A30-107-070	0E	C-TR, CMBT5401	USFD	CX-NAJ500
S	POWER AMP	Q 0105	87-A30-107-070	0E	C-TR, CMBT5401	USFD	CX-NAJ503
S	POWER AMP	Q 0105	87-A30-107-070	0E	C-TR, CMBT5401	EZSFD	CX-NSZ500
S	POWER AMP	Q 0106	87-A30-107-070		C-TR, CMBT5401	LHSFD	CX-NSZ500
S	POWER AMP	Q 0106	87-A30-107-070	0E	C-TR, CMBT5401	USFD	CX-NAJ500
S	POWER AMP	Q 0106	87-A30-107-070	0E	C-TR, CMBT5401	USFD	CX-NAJ503
S	POWER AMP	Q 0106	87-A30-107-070	0E	C-TR, CMBT5401	EZSFD	CX-NSZ500
S	POWER AMP	Q 0107	87-A30-076-080		C-TR, 2SC3052F	LHSFD	CX-NSZ500
S	POWER AMP	Q 0107	87-A30-076-080	0E	C-TR, 2SC3052F	USFD	CX-NAJ500
S	POWER AMP	Q 0107	87-A30-076-080	0E	C-TR, 2SC3052F	USFD	CX-NAJ503
S	POWER AMP	Q 0107	87-A30-076-080	0E	C-TR, 2SC3052F	EZSFD	CX-NSZ500
S	POWER AMP	Q 0108	87-A30-076-080		C-TR, 2SC3052F	LHSFD	CX-NSZ500
S	POWER AMP	Q 0108	87-A30-076-080	0E	C-TR, 2SC3052F	USFD	CX-NAJ500
S	POWER AMP	Q 0108	87-A30-076-080	0E	C-TR, 2SC3052F	USFD	CX-NAJ503
S	POWER AMP	Q 0108	87-A30-076-080	0E	C-TR, 2SC3052F	EZSFD	CX-NSZ500

PARTS LIST

! = Δ SAFTY PARTS
 C = Components marked

All components used on this model at the production line are shown in this service manual.

However, please note that not all components will be available as spare parts for after-sales service.

Components marked S and O are designated as spare parts for service and will be stocked at the spare parts centers.

Components marked X and R are not designated as spare parts for after sales service, and will not be stocked at the spare parts centers.

K NO. = Only use Japanese.

! C	UNIT NAME	REF NO.	PARTS CODE	K NO.	DESCRIPTION	SUFFIX	MODEL NAME
S	POWER AMP	Q 0109	87-A30-076-080		C-TR, 2SC3052F	LHSFD	CX-NSZ500
S	POWER AMP	Q 0109	87-A30-076-080	0E	C-TR, 2SC3052F	USFD	CX-NAJ500
S	POWER AMP	Q 0109	87-A30-076-080	0E	C-TR, 2SC3052F	USFD	CX-NAJ503
S	POWER AMP	Q 0109	87-A30-076-080	0E	C-TR, 2SC3052F	EZSFD	CX-NSZ500
S	POWER AMP	Q 0110	87-A30-076-080		C-TR, 2SC3052F	LHSFD	CX-NSZ500
S	POWER AMP	Q 0110	87-A30-076-080	0E	C-TR, 2SC3052F	USFD	CX-NAJ500
S	POWER AMP	Q 0110	87-A30-076-080	0E	C-TR, 2SC3052F	USFD	CX-NAJ503
S	POWER AMP	Q 0110	87-A30-076-080	0E	C-TR, 2SC3052F	EZSFD	CX-NSZ500
S	POWER AMP	Q 0111	87-A30-190-080		TR, CC5551	LHSFD	CX-NSZ500
S	POWER AMP	Q 0111	87-A30-190-080	0E	TR, CC5551	USFD	CX-NAJ500
S	POWER AMP	Q 0111	87-A30-190-080	0E	TR, CC5551		
S	POWER AMP	Q 0111	87-A30-190-080	0E	TR, CC5551	USFD	CX-NAJ503
S	POWER AMP	Q 0111	87-A30-190-080	0E	TR, CC5551	EZSFD	CX-NSZ500
S	POWER AMP	Q 0112	87-A30-190-080		TR, CC5551	LHSFD	CX-NSZ500
S	POWER AMP	Q 0112	87-A30-190-080	0E	TR, CC5551	USFD	CX-NAJ500
S	POWER AMP	Q 0112	87-A30-190-080	0E	TR, CC5551	USFD	CX-NAJ503
S	POWER AMP	Q 0112	87-A30-190-080	0E	TR, CC5551	EZSFD	CX-NSZ500
S	POWER AMP	Q 0113	87-A30-076-080		C-TR, 2SC3052F	LHSFD	CX-NSZ500
S	POWER AMP	Q 0113	87-A30-076-080	0E	C-TR, 2SC3052F	USFD	CX-NAJ500
S	POWER AMP	Q 0113	87-A30-076-080	0E	C-TR, 2SC3052F	USFD	CX-NAJ503
S	POWER AMP	Q 0113	87-A30-076-080	0E	C-TR, 2SC3052F	EZSFD	CX-NSZ500
S	POWER AMP	Q 0114	87-A30-076-080		C-TR, 2SC3052F	LHSFD	CX-NSZ500
S	POWER AMP	Q 0114	87-A30-076-080	0E	C-TR, 2SC3052F	USFD	CX-NAJ500
S	POWER AMP	Q 0114	87-A30-076-080	0E	C-TR, 2SC3052F	USFD	CX-NAJ503
S	POWER AMP	Q 0114	87-A30-076-080	0E	C-TR, 2SC3052F	EZSFD	CX-NSZ500
S	POWER AMP	Q 0115	87-A30-106-040		C-TR, CMBT5551	LHSFD	CX-NSZ500
S	POWER AMP	Q 0115	87-A30-106-040	0E	C-TR, CMBT5551	USFD	CX-NAJ500
S	POWER AMP	Q 0115	87-A30-106-040	0E	C-TR, CMBT5551	USFD	CX-NAJ503
S	POWER AMP	Q 0115	87-A30-106-040	0E	C-TR, CMBT5551	EZSFD	CX-NSZ500
S	POWER AMP	Q 0116	87-A30-106-040		C-TR, CMBT5551	LHSFD	CX-NSZ500
S	POWER AMP	Q 0116	87-A30-106-040	0E	C-TR, CMBT5551	USFD	CX-NAJ500
S	POWER AMP	Q 0116	87-A30-106-040	0E	C-TR, CMBT5551		
S	POWER AMP	Q 0116	87-A30-106-040	0E	C-TR, CMBT5551	USFD	CX-NAJ503
S	POWER AMP	Q 0116	87-A30-106-040	0E	C-TR, CMBT5551	EZSFD	CX-NSZ500
S	POWER AMP	Q 0117	87-A30-528-010	1B	TR, 2SB1686	LHSFD	CX-NSZ500
S	POWER AMP	Q 0117	87-A30-528-010	1B	TR, 2SB1686	USFD	CX-NAJ500
S	POWER AMP	Q 0117	87-A30-528-010	1B	TR, 2SB1686	USFD	CX-NAJ503
S	POWER AMP	Q 0117	87-A30-528-010	1B	TR, 2SB1686	EZSFD	CX-NSZ500
S	POWER AMP	Q 0118	87-A30-528-010		TR, 2SB1686	LHSFD	CX-NSZ500
S	POWER AMP	Q 0118	87-A30-528-010	1B	TR, 2SB1686	USFD	CX-NAJ500
S	POWER AMP	Q 0118	87-A30-528-010	1B	TR, 2SB1686	USFD	CX-NAJ503
S	POWER AMP	Q 0118	87-A30-528-010	1B	TR, 2SB1686	EZSFD	CX-NSZ500
S	POWER AMP	Q 0119	87-A30-529-010		TR, 2SD2642	LHSFD	CX-NSZ500
S	POWER AMP	Q 0119	87-A30-529-010	1B	TR, 2SD2642	USFD	CX-NAJ500
S	POWER AMP	Q 0119	87-A30-529-010	1B	TR, 2SD2642	USFD	CX-NAJ503
S	POWER AMP	Q 0119	87-A30-529-010	1B	TR, 2SD2642	EZSFD	CX-NSZ500
S	POWER AMP	Q 0120	87-A30-529-010		TR, 2SD2642	LHSFD	CX-NSZ500
S	POWER AMP	Q 0120	87-A30-529-010	1B	TR, 2SD2642	USFD	CX-NAJ500
S	POWER AMP	Q 0120	87-A30-529-010	1B	TR, 2SD2642	USFD	CX-NAJ503
S	POWER AMP	Q 0120	87-A30-529-010	1B	TR, 2SD2642	EZSFD	CX-NSZ500
S	POWER AMP	Q 0121	87-A30-190-080		TR, CC5551	LHSFD	CX-NSZ500
S	POWER AMP	Q 0121	87-A30-190-080	0E	TR, CC5551	USFD	CX-NAJ500
S	POWER AMP	Q 0121	87-A30-190-080	0E	TR, CC5551		
S	POWER AMP	Q 0121	87-A30-190-080	0E	TR, CC5551	USFD	CX-NAJ503
S	POWER AMP	Q 0121	87-A30-190-080	0E	TR, CC5551	EZSFD	CX-NSZ500
S	POWER AMP	Q 0122	87-A30-190-080		TR, CC5551	LHSFD	CX-NSZ500
S	POWER AMP	Q 0122	87-A30-190-080	0E	TR, CC5551	USFD	CX-NAJ500
S	POWER AMP	Q 0122	87-A30-190-080	0E	TR, CC5551	USFD	CX-NAJ503
S	POWER AMP	Q 0122	87-A30-190-080	0E	TR, CC5551	EZSFD	CX-NSZ500
S	POWER AMP	Q 0123	87-A30-107-070		C-TR, CMBT5401	LHSFD	CX-NSZ500
S	POWER AMP	Q 0123	87-A30-107-070	0E	C-TR, CMBT5401	USFD	CX-NAJ500
S	POWER AMP	Q 0123	87-A30-107-070	0E	C-TR, CMBT5401	USFD	CX-NAJ503
S	POWER AMP	Q 0123	87-A30-107-070	0E	C-TR, CMBT5401	EZSFD	CX-NSZ500
S	POWER AMP	Q 0124	87-A30-107-070		C-TR, CMBT5401	LHSFD	CX-NSZ500
S	POWER AMP	Q 0124	87-A30-107-070	0E	C-TR, CMBT5401	USFD	CX-NAJ500
S	POWER AMP	Q 0124	87-A30-107-070	0E	C-TR, CMBT5401	USFD	CX-NAJ503
S	POWER AMP	Q 0124	87-A30-107-070	0E	C-TR, CMBT5401	EZSFD	CX-NSZ500
S	POWER AMP	Q 0126	87-A30-107-070		C-TR, CMBT5401	LHSFD	CX-NSZ500
S	POWER AMP	Q 0126	87-A30-107-070	0E	C-TR, CMBT5401	USFD	CX-NAJ500
S	POWER AMP	Q 0126	87-A30-107-070	0E	C-TR, CMBT5401	USFD	CX-NAJ503
S	POWER AMP	Q 0126	87-A30-107-070	0E	C-TR, CMBT5401	EZSFD	CX-NSZ500
S	POWER AMP	Q 0127	87-A30-076-080		C-TR, 2SC3052F	LHSFD	CX-NSZ500
S	POWER AMP	Q 0127	87-A30-076-080	0E	C-TR, 2SC3052F	USFD	CX-NAJ500

PARTS LIST

! = Δ SAFTY PARTS
 C = Components marked

All components used on this model at the production line are shown in this service manual.

However, please note that not all components will be available as spare parts for after-sales service.

Components marked S and O are designated as spare parts for service and will be stocked at the spare parts centers.

Components marked X and R are not designated as spare parts for after sales service, and will not be stocked at the spare parts centers.

K NO. = Only use Japanese.

! C	UNIT NAME	REF NO.	PARTS CODE	K NO.	DESCRIPTION	SUFFIX	MODEL NAME
S	POWER AMP	Q 0127	87-A30-076-080	0E	C-TR, 2SC3052F	USFD	CX-NAJ503
S	POWER AMP	Q 0127	87-A30-076-080	0E	C-TR, 2SC3052F	EZSFD	CX-NSZ500
S	POWER AMP	Q 0128	87-A30-076-080		C-TR, 2SC3052F	LHSFD	CX-NSZ500
S	POWER AMP	Q 0128	87-A30-076-080	0E	C-TR, 2SC3052F	USFD	CX-NAJ500
S	POWER AMP	Q 0128	87-A30-076-080	0E	C-TR, 2SC3052F	USFD	CX-NAJ503
S	POWER AMP	Q 0128	87-A30-076-080	0E	C-TR, 2SC3052F	EZSFD	CX-NSZ500
S	POWER AMP	Q 0130	87-A30-106-040		C-TR, CMBT5551	LHSFD	CX-NSZ500
S	POWER AMP	Q 0130	87-A30-106-040	0E	C-TR, CMBT5551	USFD	CX-NAJ500
S	POWER AMP	Q 0130	87-A30-106-040	0E	C-TR, CMBT5551	USFD	CX-NAJ503
S	POWER AMP	Q 0130	87-A30-106-040	0E	C-TR, CMBT5551	EZSFD	CX-NSZ500
S	POWER AMP	Q 0183	87-A30-162-010		FET, 2SK2937	LHSFD	CX-NSZ500
S	POWER AMP	Q 0183	87-A30-162-010	1B	FET, 2SK2937	USFD	CX-NAJ500
S	POWER AMP	Q 0183	87-A30-162-010	1B	FET, 2SK2937	USFD	CX-NAJ503
S	POWER AMP	Q 0183	87-A30-162-010	1B	FET, 2SK2937	EZSFD	CX-NSZ500
S	POWER AMP	Q 0184	87-A30-162-010		FET, 2SK2937	LHSFD	CX-NSZ500
S	POWER AMP	Q 0184	87-A30-162-010	1B	FET, 2SK2937	USFD	CX-NAJ500
S	POWER AMP	Q 0184	87-A30-162-010	1B	FET, 2SK2937	USFD	CX-NAJ503
S	POWER AMP	Q 0184	87-A30-162-010	1B	FET, 2SK2937	EZSFD	CX-NSZ500
S	POWER AMP	Q 0185	87-A30-076-080		C-TR, 2SC3052F	LHSFD	CX-NSZ500
S	POWER AMP	Q 0185	87-A30-076-080	0E	C-TR, 2SC3052F	USFD	CX-NAJ500
S	POWER AMP	Q 0185	87-A30-076-080	0E	C-TR, 2SC3052F	USFD	CX-NAJ503
S	POWER AMP	Q 0185	87-A30-076-080	0E	C-TR, 2SC3052F	EZSFD	CX-NSZ500
S	POWER AMP	Q 0186	87-A30-075-080		C-TR, 2SA1235F	LHSFD	CX-NSZ500
S	POWER AMP	Q 0186	87-A30-075-080	0E	C-TR, 2SA1235F	USFD	CX-NAJ500
S	POWER AMP	Q 0186	87-A30-075-080	0E	C-TR, 2SA1235F	USFD	CX-NAJ503
S	POWER AMP	Q 0186	87-A30-075-080	0E	C-TR, 2SA1235F	EZSFD	CX-NSZ500
S	POWER AMP	Q 0187	87-A30-075-080		C-TR, 2SA1235F	LHSFD	CX-NSZ500
S	POWER AMP	Q 0187	87-A30-075-080	0E	C-TR, 2SA1235F	USFD	CX-NAJ500
S	POWER AMP	Q 0187	87-A30-075-080	0E	C-TR, 2SA1235F	USFD	CX-NAJ503
S	POWER AMP	Q 0187	87-A30-075-080	0E	C-TR, 2SA1235F	EZSFD	CX-NSZ500
X	POWER AMP	R 0101	88-108-392-080		C-RES, U 3.9K-1/16W J	LHSFD	CX-NSZ500
X	POWER AMP	R 0101	88-108-392-080	0E	C-RES, U 3.9K-1/16W J	USFD	CX-NAJ500
X	POWER AMP	R 0101	88-108-392-080	0E	C-RES, U 3.9K-1/16W J	USFD	CX-NAJ503
X	POWER AMP	R 0101	88-108-392-080	0E	C-RES, U 3.9K-1/16W J	EZSFD	CX-NSZ500
X	POWER AMP	R 0102	88-108-392-080		C-RES, U 3.9K-1/16W J	LHSFD	CX-NSZ500
X	POWER AMP	R 0102	88-108-392-080	0E	C-RES, U 3.9K-1/16W J	USFD	CX-NAJ500
X	POWER AMP	R 0102	88-108-392-080	0E	C-RES, U 3.9K-1/16W J	USFD	CX-NAJ503
X	POWER AMP	R 0102	88-108-392-080	0E	C-RES, U 3.9K-1/16W J	EZSFD	CX-NSZ500
X	POWER AMP	R 0103	88-108-123-080		C-RES, U 12K-1/16W J	LHSFD	CX-NSZ500
X	POWER AMP	R 0103	88-108-123-080	0E	C-RES, U 12K-1/16W J	USFD	CX-NAJ500
X	POWER AMP	R 0103	88-108-273-080	0E	C-RES, U 27K-1/16W J	EZSFD	CX-NSZ500
X	POWER AMP	R 0103	88-108-474-080	0E	C-RES, U 470K-1/16W J	USFD	CX-NAJ503
X	POWER AMP	R 0104	88-108-123-080		C-RES, U 12K-1/16W J	LHSFD	CX-NSZ500
X	POWER AMP	R 0104	88-108-123-080	0E	C-RES, U 12K-1/16W J	USFD	CX-NAJ500
X	POWER AMP	R 0104	88-108-273-080	0E	C-RES, U 27K-1/16W J	EZSFD	CX-NSZ500
X	POWER AMP	R 0104	88-108-474-080	0E	C-RES, U 470K-1/16W J	USFD	CX-NAJ503
X	POWER AMP	R 0105	88-108-273-080		C-RES, U 27K-1/16W J	LHSFD	CX-NSZ500
X	POWER AMP	R 0105	88-108-273-080	0E	C-RES, U 27K-1/16W J	USFD	CX-NAJ500
X	POWER AMP	R 0105	88-108-273-080	0E	C-RES, U 27K-1/16W J	USFD	CX-NAJ503
X	POWER AMP	R 0105	88-108-273-080	0E	C-RES, U 27K-1/16W J	EZSFD	CX-NSZ500
X	POWER AMP	R 0106	88-108-273-080		C-RES, U 27K-1/16W J	LHSFD	CX-NSZ500
X	POWER AMP	R 0106	88-108-273-080	0E	C-RES, U 27K-1/16W J	USFD	CX-NAJ500
X	POWER AMP	R 0106	88-108-273-080	0E	C-RES, U 27K-1/16W J	USFD	CX-NAJ503
X	POWER AMP	R 0106	88-108-273-080	0E	C-RES, U 27K-1/16W J	EZSFD	CX-NSZ500
X	POWER AMP	R 0107	88-108-101-080		C-RES, U 100-1/16W J	LHSFD	CX-NSZ500
X	POWER AMP	R 0107	88-108-101-080	0E	C-RES, U 100-1/16W J	USFD	CX-NAJ500
X	POWER AMP	R 0107	88-108-101-080	0E	C-RES, U 100-1/16W J	USFD	CX-NAJ503
X	POWER AMP	R 0107	88-108-101-080	0E	C-RES, U 100-1/16W J	EZSFD	CX-NSZ500
X	POWER AMP	R 0108	88-108-101-080		C-RES, U 100-1/16W J	LHSFD	CX-NSZ500
X	POWER AMP	R 0108	88-108-101-080	0E	C-RES, U 100-1/16W J	USFD	CX-NAJ500
X	POWER AMP	R 0108	88-108-101-080	0E	C-RES, U 100-1/16W J	USFD	CX-NAJ503
X	POWER AMP	R 0108	88-108-101-080	0E	C-RES, U 100-1/16W J	EZSFD	CX-NSZ500
X	POWER AMP	R 0109	88-108-472-080		C-RES, U 4.7K-1/16W J	LHSFD	CX-NSZ500
X	POWER AMP	R 0109	88-108-472-080	0E	C-RES, U 4.7K-1/16W J	USFD	CX-NAJ500
X	POWER AMP	R 0109	88-108-472-080	0E	C-RES, U 4.7K-1/16W J	USFD	CX-NAJ503
X	POWER AMP	R 0109	88-108-472-080	0E	C-RES, U 4.7K-1/16W J	EZSFD	CX-NSZ500
X	POWER AMP	R 0110	88-108-472-080		C-RES, U 4.7K-1/16W J	LHSFD	CX-NSZ500
X	POWER AMP	R 0110	88-108-472-080	0E	C-RES, U 4.7K-1/16W J	USFD	CX-NAJ500
X	POWER AMP	R 0110	88-108-472-080	0E	C-RES, U 4.7K-1/16W J	USFD	CX-NAJ503
X	POWER AMP	R 0110	88-108-472-080	0E	C-RES, U 4.7K-1/16W J	EZSFD	CX-NSZ500

PARTS LIST

! = Δ SAFTY PARTS
 C = Components marked

All components used on this model at the production line are shown in this service manual.

However, please note that not all components will be available as spare parts for after-sales service.

Components marked S and O are designated as spare parts for service and will be stocked at the spare parts centers.

Components marked X and R are not designated as spare parts for after sales service, and will not be stocked at the spare parts centers.

K NO. = Only use japanese.

! C	UNIT NAME	REF NO.	PARTS CODE	K NO.	DESCRIPTION	SUFFIX	MODEL NAME
X	POWER AMP	R 0111	88-118-102-080		C-RES,S 1K-1/10W J	LHSFD	CX-NSZ500
X	POWER AMP	R 0111	88-118-102-080	0E	C-RES,S 1K-1/10W J	USFD	CX-NAJ500
X	POWER AMP	R 0111	88-118-102-080	0E	C-RES,S 1K-1/10W J	USFD	CX-NAJ503
X	POWER AMP	R 0111	88-118-102-080	0E	C-RES,S 1K-1/10W J	EZSFD	CX-NSZ500
X	POWER AMP	R 0112	88-118-102-080		C-RES,S 1K-1/10W J	LHSFD	CX-NSZ500
X	POWER AMP	R 0112	88-118-102-080	0E	C-RES,S 1K-1/10W J	USFD	CX-NAJ500
X	POWER AMP	R 0112	88-118-102-080	0E	C-RES,S 1K-1/10W J	USFD	CX-NAJ503
X	POWER AMP	R 0112	88-118-102-080	0E	C-RES,S 1K-1/10W J	EZSFD	CX-NSZ500
X	POWER AMP	R 0113	88-118-273-080		C-RES,S 27K-1/10W J	LHSFD	CX-NSZ500
X	POWER AMP	R 0113	88-118-273-080	0E	C-RES,S 27K-1/10W J	USFD	CX-NAJ500
X	POWER AMP	R 0113	88-118-273-080	0E	C-RES,S 27K-1/10W J	USFD	CX-NAJ503
X	POWER AMP	R 0113	88-118-273-080	0E	C-RES,S 27K-1/10W J	EZSFD	CX-NSZ500
X	POWER AMP	R 0114	88-118-273-080		C-RES,S 27K-1/10W J	LHSFD	CX-NSZ500
X	POWER AMP	R 0114	88-118-273-080	0E	C-RES,S 27K-1/10W J	USFD	CX-NAJ500
X	POWER AMP	R 0114	88-118-273-080	0E	C-RES,S 27K-1/10W J	USFD	CX-NAJ503
X	POWER AMP	R 0114	88-118-273-080	0E	C-RES,S 27K-1/10W J	EZSFD	CX-NSZ500
X	POWER AMP	R 0115	88-128-222-080		C-RES, 2.2K-1/8W J	LHSFD	CX-NSZ500
X	POWER AMP	R 0115	88-128-222-080	0E	C-RES, 2.2K-1/8W J	USFD	CX-NAJ500
X	POWER AMP	R 0115	88-128-222-080	0E	C-RES, 2.2K-1/8W J	USFD	CX-NAJ503
X	POWER AMP	R 0115	88-128-222-080	0E	C-RES, 2.2K-1/8W J	EZSFD	CX-NSZ500
X	POWER AMP	R 0116	88-128-222-080		C-RES, 2.2K-1/8W J	LHSFD	CX-NSZ500
X	POWER AMP	R 0116	88-128-222-080	0E	C-RES, 2.2K-1/8W J	USFD	CX-NAJ500
X	POWER AMP	R 0116	88-128-222-080	0E	C-RES, 2.2K-1/8W J	USFD	CX-NAJ503
X	POWER AMP	R 0116	88-128-222-080	0E	C-RES, 2.2K-1/8W J	EZSFD	CX-NSZ500
X	POWER AMP	R 0117	88-108-103-080		C-RES,U 10K-1/16W J	LHSFD	CX-NSZ500
X	POWER AMP	R 0117	88-108-103-080	0E	C-RES,U 10K-1/16W J	USFD	CX-NAJ500
X	POWER AMP	R 0117	88-108-103-080	0E	C-RES,U 10K-1/16W J	USFD	CX-NAJ503
X	POWER AMP	R 0117	88-108-103-080	0E	C-RES,U 10K-1/16W J	EZSFD	CX-NSZ500
X	POWER AMP	R 0118	88-108-103-080		C-RES,U 10K-1/16W J	LHSFD	CX-NSZ500
X	POWER AMP	R 0118	88-108-103-080	0E	C-RES,U 10K-1/16W J	USFD	CX-NAJ500
X	POWER AMP	R 0118	88-108-103-080	0E	C-RES,U 10K-1/16W J	USFD	CX-NAJ503
X	POWER AMP	R 0118	88-108-103-080	0E	C-RES,U 10K-1/16W J	EZSFD	CX-NSZ500
X	POWER AMP	R 0119	88-118-101-080		C-RES,S 100-1/10W J	LHSFD	CX-NSZ500
X	POWER AMP	R 0119	88-118-101-080	0E	C-RES,S 100-1/10W J	USFD	CX-NAJ500
X	POWER AMP	R 0119	88-118-101-080	0E	C-RES,S 100-1/10W J	USFD	CX-NAJ503
X	POWER AMP	R 0119	88-118-101-080	0E	C-RES,S 100-1/10W J	EZSFD	CX-NSZ500
X	POWER AMP	R 0120	88-118-101-080		C-RES,S 100-1/10W J	LHSFD	CX-NSZ500
X	POWER AMP	R 0120	88-118-101-080	0E	C-RES,S 100-1/10W J	USFD	CX-NAJ500
X	POWER AMP	R 0120	88-118-101-080	0E	C-RES,S 100-1/10W J	USFD	CX-NAJ503
X	POWER AMP	R 0120	88-118-101-080	0E	C-RES,S 100-1/10W J	EZSFD	CX-NSZ500
X	POWER AMP	R 0121	88-118-101-080		C-RES,S 100-1/10W J	LHSFD	CX-NSZ500
X	POWER AMP	R 0121	88-118-101-080	0E	C-RES,S 100-1/10W J	USFD	CX-NAJ500
X	POWER AMP	R 0121	88-118-101-080	0E	C-RES,S 100-1/10W J	USFD	CX-NAJ503
X	POWER AMP	R 0121	88-118-101-080	0E	C-RES,S 100-1/10W J	EZSFD	CX-NSZ500
X	POWER AMP	R 0122	88-118-101-080		C-RES,S 100-1/10W J	LHSFD	CX-NSZ500
X	POWER AMP	R 0122	88-118-101-080	0E	C-RES,S 100-1/10W J	USFD	CX-NAJ500
X	POWER AMP	R 0122	88-118-101-080	0E	C-RES,S 100-1/10W J	USFD	CX-NAJ503
X	POWER AMP	R 0122	88-118-101-080	0E	C-RES,S 100-1/10W J	EZSFD	CX-NSZ500
X	POWER AMP	R 0123	88-128-222-080		C-RES, 2.2K-1/8W J	LHSFD	CX-NSZ500
X	POWER AMP	R 0123	88-128-222-080	0E	C-RES, 2.2K-1/8W J	USFD	CX-NAJ500
X	POWER AMP	R 0123	88-128-222-080	0E	C-RES, 2.2K-1/8W J	USFD	CX-NAJ503
X	POWER AMP	R 0123	88-128-222-080	0E	C-RES, 2.2K-1/8W J	EZSFD	CX-NSZ500
X	POWER AMP	R 0124	88-128-222-080		C-RES, 2.2K-1/8W J	LHSFD	CX-NSZ500
X	POWER AMP	R 0124	88-128-222-080	0E	C-RES, 2.2K-1/8W J	USFD	CX-NAJ500
X	POWER AMP	R 0124	88-128-222-080	0E	C-RES, 2.2K-1/8W J	USFD	CX-NAJ503
X	POWER AMP	R 0124	88-128-222-080	0E	C-RES, 2.2K-1/8W J	EZSFD	CX-NSZ500
X	POWER AMP	R 0125	88-128-102-080		C-RES, 1K-1/8W J	LHSFD	CX-NSZ500
X	POWER AMP	R 0125	88-128-102-080	0E	C-RES, 1K-1/8W J	USFD	CX-NAJ500
X	POWER AMP	R 0125	88-128-102-080	0E	C-RES, 1K-1/8W J	USFD	CX-NAJ503
X	POWER AMP	R 0125	88-128-102-080	0E	C-RES, 1K-1/8W J	EZSFD	CX-NSZ500
X	POWER AMP	R 0126	88-128-102-080		C-RES, 1K-1/8W J	LHSFD	CX-NSZ500
X	POWER AMP	R 0126	88-128-102-080	0E	C-RES, 1K-1/8W J	USFD	CX-NAJ500
X	POWER AMP	R 0126	88-128-102-080	0E	C-RES, 1K-1/8W J	USFD	CX-NAJ503
X	POWER AMP	R 0126	88-128-102-080	0E	C-RES, 1K-1/8W J	EZSFD	CX-NSZ500
X	POWER AMP	R 0127	88-118-390-080		C-RES,S 39-1/10W J	LHSFD	CX-NSZ500
X	POWER AMP	R 0127	88-118-390-080	0E	C-RES,S 39-1/10W J	USFD	CX-NAJ500
X	POWER AMP	R 0127	88-118-390-080	0E	C-RES,S 39-1/10W J	USFD	CX-NAJ503
X	POWER AMP	R 0127	88-118-390-080	0E	C-RES,S 39-1/10W J	EZSFD	CX-NSZ500
X	POWER AMP	R 0128	88-118-390-080		C-RES,S 39-1/10W J	LHSFD	CX-NSZ500
X	POWER AMP	R 0128	88-118-390-080	0E	C-RES,S 39-1/10W J	USFD	CX-NAJ500

PARTS LIST

! = Δ SAFTY PARTS
 C = Components marked

All components used on this model at the production line are shown in this service manual.

However, please note that not all components will be available as spare parts for after-sales service.

Components marked S and O are designated as spare parts for service and will be stocked at the spare parts centers.

Components marked X and R are not designated as spare parts for after sales service, and will not be stocked at the spare parts centers.

K NO. = Only use Japanese.

! C	UNIT NAME	REF NO.	PARTS CODE	K NO.	DESCRIPTION	SUFFIX	MODEL NAME
X	POWER AMP	R 0128	88-118-390-080	0E	C-RES,S 39-1/10W J	USFD	CX-NAJ503
X	POWER AMP	R 0128	88-118-390-080	0E	C-RES,S 39-1/10W J	EZSFD	CX-NSZ500
O	POWER AMP	R 0129	87-A00-257-080	0E	RES,M/F 0.15-1W J	EZSFD	CX-NSZ500
O	POWER AMP	R 0129	87-A00-262-080		RES,M/F 0.15-2W J	LHSFD	CX-NSZ500
O	POWER AMP	R 0129	87-A00-262-080	0E	RES,M/F 0.15-2W J	USFD	CX-NAJ500
O	POWER AMP	R 0129	87-A00-262-080	0E	RES,M/F 0.15-2W J	USFD	CX-NAJ503
O	POWER AMP	R 0130	87-A00-257-080	0E	RES,M/F 0.15-1W J	EZSFD	CX-NSZ500
O	POWER AMP	R 0130	87-A00-262-080		RES,M/F 0.15-2W J	LHSFD	CX-NSZ500
O	POWER AMP	R 0130	87-A00-262-080	0E	RES,M/F 0.15-2W J	USFD	CX-NAJ500
O	POWER AMP	R 0130	87-A00-262-080	0E	RES,M/F 0.15-2W J	USFD	CX-NAJ503
O	POWER AMP	R 0131	87-A00-257-080	0E	RES,M/F 0.15-1W J	EZSFD	CX-NSZ500
O	POWER AMP	R 0131	87-A00-262-080		RES,M/F 0.15-2W J	LHSFD	CX-NSZ500
O	POWER AMP	R 0131	87-A00-262-080	0E	RES,M/F 0.15-2W J	USFD	CX-NAJ500
O	POWER AMP	R 0131	87-A00-262-080	0E	RES,M/F 0.15-2W J	USFD	CX-NAJ503
O	POWER AMP	R 0132	87-A00-257-080	0E	RES,M/F 0.15-1W J	EZSFD	CX-NSZ500
O	POWER AMP	R 0132	87-A00-262-080		RES,M/F 0.15-2W J	LHSFD	CX-NSZ500
O	POWER AMP	R 0132	87-A00-262-080	0E	RES,M/F 0.15-2W J	USFD	CX-NAJ500
O	POWER AMP	R 0132	87-A00-262-080	0E	RES,M/F 0.15-2W J	USFD	CX-NAJ503
X	POWER AMP	R 0133	88-108-392-080	0E	C-RES,U 3.9K-1/16W J	USFD	CX-NAJ503
X	POWER AMP	R 0133	88-108-472-080		C-RES,U 4.7K-1/16W J	LHSFD	CX-NSZ500
X	POWER AMP	R 0133	88-108-472-080	0E	C-RES,U 4.7K-1/16W J	USFD	CX-NAJ500
X	POWER AMP	R 0133	88-108-472-080	0E	C-RES,U 4.7K-1/16W J	EZSFD	CX-NSZ500
X	POWER AMP	R 0134	88-108-392-080	0E	C-RES,U 3.9K-1/16W J	USFD	CX-NAJ503
X	POWER AMP	R 0134	88-108-472-080		C-RES,U 4.7K-1/16W J	LHSFD	CX-NSZ500
X	POWER AMP	R 0134	88-108-472-080	0E	C-RES,U 4.7K-1/16W J	USFD	CX-NAJ500
X	POWER AMP	R 0134	88-108-472-080	0E	C-RES,U 4.7K-1/16W J	EZSFD	CX-NSZ500
X	POWER AMP	R 0135	88-108-122-080	0E	C-RES,U 1.2K-1/16W J	EZSFD	CX-NSZ500
X	POWER AMP	R 0135	88-108-152-080		C-RES,U 1.5K-1/16W J	LHSFD	CX-NSZ500
X	POWER AMP	R 0135	88-108-152-080	0E	C-RES,U 1.5K-1/16W J	USFD	CX-NAJ500
X	POWER AMP	R 0135	88-108-182-080	0E	C-RES,U 1.8K-1/16W J	USFD	CX-NAJ503
X	POWER AMP	R 0136	88-108-122-080	0E	C-RES,U 1.2K-1/16W J	EZSFD	CX-NSZ500
X	POWER AMP	R 0136	88-108-152-080		C-RES,U 1.5K-1/16W J	LHSFD	CX-NSZ500
X	POWER AMP	R 0136	88-108-152-080	0E	C-RES,U 1.5K-1/16W J	USFD	CX-NAJ500
X	POWER AMP	R 0136	88-108-182-080	0E	C-RES,U 1.8K-1/16W J	USFD	CX-NAJ503
X	POWER AMP	R 0137	88-108-101-080		C-RES,U 100-1/16W J	LHSFD	CX-NSZ500
X	POWER AMP	R 0137	88-108-101-080	0E	C-RES,U 100-1/16W J	USFD	CX-NAJ500
X	POWER AMP	R 0137	88-108-101-080	0E	C-RES,U 100-1/16W J	USFD	CX-NAJ503
X	POWER AMP	R 0137	88-108-101-080	0E	C-RES,U 100-1/16W J	EZSFD	CX-NSZ500
X	POWER AMP	R 0138	88-108-101-080		C-RES,U 100-1/16W J	LHSFD	CX-NSZ500
X	POWER AMP	R 0138	88-108-101-080	0E	C-RES,U 100-1/16W J	USFD	CX-NAJ500
X	POWER AMP	R 0138	88-108-101-080	0E	C-RES,U 100-1/16W J	USFD	CX-NAJ503
X	POWER AMP	R 0138	88-108-101-080	0E	C-RES,U 100-1/16W J	EZSFD	CX-NSZ500
X	POWER AMP	R 0141	88-118-102-080		C-RES,S 1K-1/10W J	LHSFD	CX-NSZ500
X	POWER AMP	R 0141	88-118-102-080	0E	C-RES,S 1K-1/10W J	USFD	CX-NAJ500
X	POWER AMP	R 0141	88-118-102-080	0E	C-RES,S 1K-1/10W J	USFD	CX-NAJ503
X	POWER AMP	R 0141	88-118-102-080	0E	C-RES,S 1K-1/10W J	EZSFD	CX-NSZ500
X	POWER AMP	R 0142	88-118-102-080		C-RES,S 1K-1/10W J	LHSFD	CX-NSZ500
X	POWER AMP	R 0142	88-118-102-080	0E	C-RES,S 1K-1/10W J	USFD	CX-NAJ500
X	POWER AMP	R 0142	88-118-102-080	0E	C-RES,S 1K-1/10W J	USFD	CX-NAJ503
X	POWER AMP	R 0142	88-118-102-080	0E	C-RES,S 1K-1/10W J	EZSFD	CX-NSZ500
X	POWER AMP	R 0151	88-108-473-080		C-RES,U 47K-1/16W J	LHSFD	CX-NSZ500
X	POWER AMP	R 0151	88-108-473-080	0E	C-RES,U 47K-1/16W J	USFD	CX-NAJ500
X	POWER AMP	R 0151	88-108-473-080	0E	C-RES,U 47K-1/16W J	USFD	CX-NAJ503
X	POWER AMP	R 0151	88-108-473-080	0E	C-RES,U 47K-1/16W J	EZSFD	CX-NSZ500
X	POWER AMP	R 0152	88-108-473-080		C-RES,U 47K-1/16W J	LHSFD	CX-NSZ500
X	POWER AMP	R 0152	88-108-473-080	0E	C-RES,U 47K-1/16W J	USFD	CX-NAJ500
X	POWER AMP	R 0152	88-108-473-080	0E	C-RES,U 47K-1/16W J	USFD	CX-NAJ503
X	POWER AMP	R 0152	88-108-473-080	0E	C-RES,U 47K-1/16W J	EZSFD	CX-NSZ500
X	POWER AMP	R 0153	88-118-390-080		C-RES,S 39-1/10W J	LHSFD	CX-NSZ500
X	POWER AMP	R 0153	88-118-390-080	0E	C-RES,S 39-1/10W J	USFD	CX-NAJ500
X	POWER AMP	R 0153	88-118-390-080	0E	C-RES,S 39-1/10W J	USFD	CX-NAJ503
X	POWER AMP	R 0153	88-118-390-080	0E	C-RES,S 39-1/10W J	EZSFD	CX-NSZ500
X	POWER AMP	R 0154	88-118-390-080		C-RES,S 39-1/10W J	LHSFD	CX-NSZ500
X	POWER AMP	R 0154	88-118-390-080	0E	C-RES,S 39-1/10W J	USFD	CX-NAJ500
X	POWER AMP	R 0154	88-118-390-080	0E	C-RES,S 39-1/10W J	USFD	CX-NAJ503
X	POWER AMP	R 0154	88-118-390-080	0E	C-RES,S 39-1/10W J	EZSFD	CX-NSZ500
X	POWER AMP	R 0155	88-108-472-080	0E	C-RES,U 4.7K-1/16W J	USFD	CX-NAJ503
X	POWER AMP	R 0155	88-108-822-080		C-RES,U 8.2K-1/16W J	LHSFD	CX-NSZ500
X	POWER AMP	R 0155	88-108-822-080	0E	C-RES,U 8.2K-1/16W J	USFD	CX-NAJ500
X	POWER AMP	R 0155	88-108-822-080	0E	C-RES,U 8.2K-1/16W J	EZSFD	CX-NSZ500

PARTS LIST

! = Δ SAFTY PARTS
 C = Components marked

All components used on this model at the production line are shown in this service manual.

However, please note that not all components will be available as spare parts for after-sales service.

Components marked S and O are designated as spare parts for service and will be stocked at the spare parts centers.

Components marked X and R are not designated as spare parts for after sales service, and will not be stocked at the spare parts centers.

K NO. = Only use japanese.

! C	UNIT NAME	REF NO.	PARTS CODE	K NO.	DESCRIPTION	SUFFIX	MODEL NAME
X	POWER AMP	R 0156	88-108-472-080	0E	C-RES,U 4.7K-1/16W J	USFD	CX-NAJ503
X	POWER AMP	R 0156	88-108-822-080		C-RES,U 8.2K-1/16W J	LHSFD	CX-NSZ500
X	POWER AMP	R 0156	88-108-822-080	0E	C-RES,U 8.2K-1/16W J	USFD	CX-NAJ500
X	POWER AMP	R 0156	88-108-822-080	0E	C-RES,U 8.2K-1/16W J	EZSFD	CX-NSZ500
X	POWER AMP	R 0157	88-108-472-080		C-RES,U 4.7K-1/16W J	LHSFD	CX-NSZ500
X	POWER AMP	R 0157	88-108-472-080	0E	C-RES,U 4.7K-1/16W J	USFD	CX-NAJ500
X	POWER AMP	R 0157	88-108-472-080	0E	C-RES,U 4.7K-1/16W J	USFD	CX-NAJ503
X	POWER AMP	R 0157	88-108-472-080	0E	C-RES,U 4.7K-1/16W J	EZSFD	CX-NSZ500
X	POWER AMP	R 0158	88-128-272-080	0E	C-RES, 2.7K-1/8W J	USFD	CX-NAJ500
X	POWER AMP	R 0158	88-128-272-080	0E	C-RES, 2.7K-1/8W J	EZSFD	CX-NSZ500
X	POWER AMP	R 0158	88-128-332-080		C-RES, 3.3K-1/8W J	LHSFD	CX-NSZ500
X	POWER AMP	R 0158	88-128-332-080	0E	C-RES, 3.3K-1/8W J	USFD	CX-NAJ503
X	POWER AMP	R 0159	88-108-103-080		C-RES,U 10K-1/16W J	LHSFD	CX-NSZ500
X	POWER AMP	R 0159	88-108-103-080	0E	C-RES,U 10K-1/16W J	USFD	CX-NAJ500
X	POWER AMP	R 0159	88-108-103-080	0E	C-RES,U 10K-1/16W J	USFD	CX-NAJ503
X	POWER AMP	R 0159	88-108-103-080	0E	C-RES,U 10K-1/16W J	EZSFD	CX-NSZ500
X	POWER AMP	R 0160	88-121-103-080		RES,10K-1/8W J	LHSFD	CX-NSZ500
X	POWER AMP	R 0160	88-121-103-080	0E	RES,10K-1/8W J	USFD	CX-NAJ500
X	POWER AMP	R 0160	88-121-103-080	0E	RES,10K-1/8W J	USFD	CX-NAJ503
X	POWER AMP	R 0160	88-121-103-080	0E	RES,10K-1/8W J	EZSFD	CX-NSZ500
X	POWER AMP	R 0161	88-108-472-080		C-RES,U 4.7K-1/16W J	LHSFD	CX-NSZ500
X	POWER AMP	R 0161	88-108-472-080	0E	C-RES,U 4.7K-1/16W J	USFD	CX-NAJ500
X	POWER AMP	R 0161	88-108-472-080	0E	C-RES,U 4.7K-1/16W J	USFD	CX-NAJ503
X	POWER AMP	R 0161	88-108-472-080	0E	C-RES,U 4.7K-1/16W J	EZSFD	CX-NSZ500
X	POWER AMP	R 0162	88-108-472-080		C-RES,U 4.7K-1/16W J	LHSFD	CX-NSZ500
X	POWER AMP	R 0162	88-108-472-080	0E	C-RES,U 4.7K-1/16W J	USFD	CX-NAJ500
X	POWER AMP	R 0162	88-108-472-080	0E	C-RES,U 4.7K-1/16W J	USFD	CX-NAJ503
X	POWER AMP	R 0162	88-108-472-080	0E	C-RES,U 4.7K-1/16W J	EZSFD	CX-NSZ500
X	POWER AMP	R 0163	88-108-472-080		C-RES,U 4.7K-1/16W J	LHSFD	CX-NSZ500
X	POWER AMP	R 0163	88-108-472-080	0E	C-RES,U 4.7K-1/16W J	USFD	CX-NAJ500
X	POWER AMP	R 0163	88-108-472-080	0E	C-RES,U 4.7K-1/16W J	USFD	CX-NAJ503
X	POWER AMP	R 0163	88-108-472-080	0E	C-RES,U 4.7K-1/16W J	EZSFD	CX-NSZ500
X	POWER AMP	R 0164	88-108-472-080		C-RES,U 4.7K-1/16W J	LHSFD	CX-NSZ500
X	POWER AMP	R 0164	88-108-472-080	0E	C-RES,U 4.7K-1/16W J	USFD	CX-NAJ500
X	POWER AMP	R 0164	88-108-472-080	0E	C-RES,U 4.7K-1/16W J	USFD	CX-NAJ503
X	POWER AMP	R 0164	88-108-472-080	0E	C-RES,U 4.7K-1/16W J	EZSFD	CX-NSZ500
X	POWER AMP	R 0165	88-108-152-080		C-RES,U 1.5K-1/16W J	LHSFD	CX-NSZ500
X	POWER AMP	R 0165	88-108-152-080	0E	C-RES,U 1.5K-1/16W J	USFD	CX-NAJ500
X	POWER AMP	R 0165	88-108-152-080	0E	C-RES,U 1.5K-1/16W J	USFD	CX-NAJ503
X	POWER AMP	R 0165	88-108-152-080	0E	C-RES,U 1.5K-1/16W J	EZSFD	CX-NSZ500
X	POWER AMP	R 0166	88-108-152-080		C-RES,U 1.5K-1/16W J	LHSFD	CX-NSZ500
X	POWER AMP	R 0166	88-108-152-080	0E	C-RES,U 1.5K-1/16W J	USFD	CX-NAJ500
X	POWER AMP	R 0166	88-108-152-080	0E	C-RES,U 1.5K-1/16W J	USFD	CX-NAJ503
X	POWER AMP	R 0166	88-108-152-080	0E	C-RES,U 1.5K-1/16W J	EZSFD	CX-NSZ500
X	POWER AMP	R 0167	88-108-103-080		C-RES,U 10K-1/16W J	LHSFD	CX-NSZ500
X	POWER AMP	R 0167	88-108-103-080	0E	C-RES,U 10K-1/16W J	USFD	CX-NAJ500
X	POWER AMP	R 0167	88-108-103-080	0E	C-RES,U 10K-1/16W J	USFD	CX-NAJ503
X	POWER AMP	R 0167	88-108-103-080	0E	C-RES,U 10K-1/16W J	EZSFD	CX-NSZ500
X	POWER AMP	R 0168	88-118-473-080		C-RES,S 47K-1/10W J	LHSFD	CX-NSZ500
X	POWER AMP	R 0168	88-118-473-080	0E	C-RES,S 47K-1/10W J	USFD	CX-NAJ500
X	POWER AMP	R 0168	88-118-473-080	0E	C-RES,S 47K-1/10W J	USFD	CX-NAJ503
X	POWER AMP	R 0168	88-118-473-080	0E	C-RES,S 47K-1/10W J	EZSFD	CX-NSZ500
X	POWER AMP	R 0169	88-118-271-080		C-RES,S 270-1/10W J	LHSFD	CX-NSZ500
X	POWER AMP	R 0169	88-118-271-080	0E	C-RES,S 270-1/10W J	USFD	CX-NAJ500
X	POWER AMP	R 0169	88-118-271-080	0E	C-RES,S 270-1/10W J	USFD	CX-NAJ503
X	POWER AMP	R 0169	88-118-271-080	0E	C-RES,S 270-1/10W J	EZSFD	CX-NSZ500
X	POWER AMP	R 0170	88-118-271-080		C-RES,S 270-1/10W J	LHSFD	CX-NSZ500
X	POWER AMP	R 0170	88-118-271-080	0E	C-RES,S 270-1/10W J	USFD	CX-NAJ500
X	POWER AMP	R 0170	88-118-271-080	0E	C-RES,S 270-1/10W J	USFD	CX-NAJ503
X	POWER AMP	R 0170	88-118-271-080	0E	C-RES,S 270-1/10W J	EZSFD	CX-NSZ500
X	POWER AMP	R 0171	88-118-222-080		C-RES,S 2.2K-1/10W J	LHSFD	CX-NSZ500
X	POWER AMP	R 0171	88-118-222-080	0E	C-RES,S 2.2K-1/10W J	USFD	CX-NAJ500
X	POWER AMP	R 0171	88-118-222-080	0E	C-RES,S 2.2K-1/10W J	USFD	CX-NAJ503
X	POWER AMP	R 0171	88-118-222-080	0E	C-RES,S 2.2K-1/10W J	EZSFD	CX-NSZ500
X	POWER AMP	R 0172	88-118-222-080		C-RES,S 2.2K-1/10W J	LHSFD	CX-NSZ500
X	POWER AMP	R 0172	88-118-222-080	0E	C-RES,S 2.2K-1/10W J	USFD	CX-NAJ500
X	POWER AMP	R 0172	88-118-222-080	0E	C-RES,S 2.2K-1/10W J	USFD	CX-NAJ503
X	POWER AMP	R 0172	88-118-222-080	0E	C-RES,S 2.2K-1/10W J	EZSFD	CX-NSZ500
X	POWER AMP	R 0173	88-118-152-080		C-RES,S 1.5K-1/10W J	LHSFD	CX-NSZ500
X	POWER AMP	R 0173	88-118-152-080	0E	C-RES,S 1.5K-1/10W J	USFD	CX-NAJ500

PARTS LIST

! = Δ SAFTY PARTS
 C = Components marked

All components used on this model at the production line are shown in this service manual.

However, please note that not all components will be available as spare parts for after-sales service.

Components marked S and O are designated as spare parts for service and will be stocked at the spare parts centers.

Components marked X and R are not designated as spare parts for after sales service, and will not be stocked at the spare parts centers.

K NO. = Only use japanese.

! C	UNIT NAME	REF NO.	PARTS CODE	K NO.	DESCRIPTION	SUFFIX	MODEL NAME
X	POWER AMP	R 0173	88-118-152-080	0E	C-RES,S 1.5K-1/10W J	USFD	CX-NAJ503
X	POWER AMP	R 0173	88-118-152-080	0E	C-RES,S 1.5K-1/10W J	EZSFD	CX-NSZ500
X	POWER AMP	R 0174	88-118-152-080		C-RES,S 1.5K-1/10W J	LHSFD	CX-NSZ500
X	POWER AMP	R 0174	88-118-152-080	0E	C-RES,S 1.5K-1/10W J	USFD	CX-NAJ500
X	POWER AMP	R 0174	88-118-152-080	0E	C-RES,S 1.5K-1/10W J	USFD	CX-NAJ503
X	POWER AMP	R 0174	88-118-152-080	0E	C-RES,S 1.5K-1/10W J	EZSFD	CX-NSZ500
X	POWER AMP	R 0175	88-118-331-080		C-RES,S 330-1/10W J	LHSFD	CX-NSZ500
X	POWER AMP	R 0175	88-118-331-080	0E	C-RES,S 330-1/10W J	USFD	CX-NAJ500
X	POWER AMP	R 0175	88-118-331-080	0E	C-RES,S 330-1/10W J	USFD	CX-NAJ503
X	POWER AMP	R 0175	88-118-331-080	0E	C-RES,S 330-1/10W J	EZSFD	CX-NSZ500
X	POWER AMP	R 0176	88-118-331-080		C-RES,S 330-1/10W J	LHSFD	CX-NSZ500
X	POWER AMP	R 0176	88-118-331-080	0E	C-RES,S 330-1/10W J	USFD	CX-NAJ500
X	POWER AMP	R 0176	88-118-331-080	0E	C-RES,S 330-1/10W J	USFD	CX-NAJ503
X	POWER AMP	R 0176	88-118-331-080	0E	C-RES,S 330-1/10W J	EZSFD	CX-NSZ500
X	POWER AMP	R 0177	88-128-222-080	0E	C-RES, 2.2K-1/8W J	USFD	CX-NAJ503
X	POWER AMP	R 0177	88-128-222-080	0E	C-RES, 2.2K-1/8W J	EZSFD	CX-NSZ500
X	POWER AMP	R 0177	88-128-272-080		C-RES, 2.7K-1/8W J	LHSFD	CX-NSZ500
X	POWER AMP	R 0177	88-128-272-080	0E	C-RES, 2.7K-1/8W J	USFD	CX-NAJ500
X	POWER AMP	R 0178	88-118-103-080		C-RES,S 10K-1/10W J	LHSFD	CX-NSZ500
X	POWER AMP	R 0178	88-118-103-080	0E	C-RES,S 10K-1/10W J	USFD	CX-NAJ500
X	POWER AMP	R 0178	88-118-103-080	0E	C-RES,S 10K-1/10W J	USFD	CX-NAJ503
X	POWER AMP	R 0178	88-118-103-080	0E	C-RES,S 10K-1/10W J	EZSFD	CX-NSZ500
X	POWER AMP	R 0179	88-108-103-080		C-RES,U 10K-1/16W J	LHSFD	CX-NSZ500
X	POWER AMP	R 0179	88-108-103-080	0E	C-RES,U 10K-1/16W J	USFD	CX-NAJ500
X	POWER AMP	R 0179	88-108-103-080	0E	C-RES,U 10K-1/16W J	USFD	CX-NAJ503
X	POWER AMP	R 0179	88-108-103-080	0E	C-RES,U 10K-1/16W J	EZSFD	CX-NSZ500
X	POWER AMP	R 0180	88-108-103-080		C-RES,U 10K-1/16W J	LHSFD	CX-NSZ500
X	POWER AMP	R 0180	88-108-103-080	0E	C-RES,U 10K-1/16W J	USFD	CX-NAJ500
X	POWER AMP	R 0180	88-108-103-080	0E	C-RES,U 10K-1/16W J	USFD	CX-NAJ503
X	POWER AMP	R 0180	88-108-103-080	0E	C-RES,U 10K-1/16W J	EZSFD	CX-NSZ500
X	POWER AMP	R 0184	88-118-102-080		C-RES,S 1K-1/10W J	LHSFD	CX-NSZ500
X	POWER AMP	R 0184	88-118-102-080	0E	C-RES,S 1K-1/10W J	USFD	CX-NAJ500
X	POWER AMP	R 0184	88-118-102-080	0E	C-RES,S 1K-1/10W J	USFD	CX-NAJ503
X	POWER AMP	R 0184	88-118-102-080	0E	C-RES,S 1K-1/10W J	EZSFD	CX-NSZ500
X	POWER AMP	R 0185	88-108-332-080		C-RES,U 3.3K-1/16W J	LHSFD	CX-NSZ500
X	POWER AMP	R 0185	88-108-332-080	0E	C-RES,U 3.3K-1/16W J	USFD	CX-NAJ500
X	POWER AMP	R 0185	88-108-332-080	0E	C-RES,U 3.3K-1/16W J	USFD	CX-NAJ503
X	POWER AMP	R 0185	88-108-332-080	0E	C-RES,U 3.3K-1/16W J	EZSFD	CX-NSZ500
X	POWER AMP	R 0186	88-118-102-080		C-RES,S 1K-1/10W J	LHSFD	CX-NSZ500
X	POWER AMP	R 0186	88-118-102-080	0E	C-RES,S 1K-1/10W J	USFD	CX-NAJ500
X	POWER AMP	R 0186	88-118-102-080	0E	C-RES,S 1K-1/10W J	USFD	CX-NAJ503
X	POWER AMP	R 0186	88-118-102-080	0E	C-RES,S 1K-1/10W J	EZSFD	CX-NSZ500
X	POWER AMP	R 0187	88-118-103-080		C-RES,S 10K-1/10W J	LHSFD	CX-NSZ500
X	POWER AMP	R 0187	88-118-103-080	0E	C-RES,S 10K-1/10W J	USFD	CX-NAJ500
X	POWER AMP	R 0187	88-118-103-080	0E	C-RES,S 10K-1/10W J	USFD	CX-NAJ503
X	POWER AMP	R 0187	88-118-103-080	0E	C-RES,S 10K-1/10W J	EZSFD	CX-NSZ500
X	POWER AMP	R 0188	88-118-222-080		C-RES,S 2.2K-1/10W J	LHSFD	CX-NSZ500
X	POWER AMP	R 0188	88-118-222-080	0E	C-RES,S 2.2K-1/10W J	USFD	CX-NAJ500
X	POWER AMP	R 0188	88-118-222-080	0E	C-RES,S 2.2K-1/10W J	USFD	CX-NAJ503
X	POWER AMP	R 0188	88-118-222-080	0E	C-RES,S 2.2K-1/10W J	EZSFD	CX-NSZ500
X	POWER AMP	R 0189	88-128-272-080	0E	C-RES, 2.7K-1/8W J	USFD	CX-NAJ500
X	POWER AMP	R 0189	88-128-272-080	0E	C-RES, 2.7K-1/8W J	EZSFD	CX-NSZ500
X	POWER AMP	R 0189	88-128-332-080		C-RES, 3.3K-1/8W J	LHSFD	CX-NSZ500
X	POWER AMP	R 0189	88-128-332-080	0E	C-RES, 3.3K-1/8W J	USFD	CX-NAJ503
X	POWER AMP	R 0190	88-128-272-080	0E	C-RES, 2.7K-1/8W J	USFD	CX-NAJ500
X	POWER AMP	R 0190	88-128-272-080	0E	C-RES, 2.7K-1/8W J	EZSFD	CX-NSZ500
X	POWER AMP	R 0190	88-128-332-080		C-RES, 3.3K-1/8W J	LHSFD	CX-NSZ500
X	POWER AMP	R 0190	88-128-332-080	0E	C-RES, 3.3K-1/8W J	USFD	CX-NAJ503
X	POWER AMP	R 0192	88-128-222-080	0E	C-RES, 2.2K-1/8W J	USFD	CX-NAJ503
X	POWER AMP	R 0192	88-128-222-080	0E	C-RES, 2.2K-1/8W J	EZSFD	CX-NSZ500
X	POWER AMP	R 0192	88-128-272-080		C-RES, 2.7K-1/8W J	LHSFD	CX-NSZ500
X	POWER AMP	R 0192	88-128-272-080	0E	C-RES, 2.7K-1/8W J	USFD	CX-NAJ500
X	POWER AMP	R 0193	88-108-103-080		C-RES,U 10K-1/16W J	LHSFD	CX-NSZ500
X	POWER AMP	R 0193	88-108-103-080	0E	C-RES,U 10K-1/16W J	USFD	CX-NAJ500
X	POWER AMP	R 0193	88-108-103-080	0E	C-RES,U 10K-1/16W J	USFD	CX-NAJ503
X	POWER AMP	R 0193	88-108-103-080	0E	C-RES,U 10K-1/16W J	EZSFD	CX-NSZ500
X	POWER AMP	R 0194	88-108-103-080		C-RES,U 10K-1/16W J	LHSFD	CX-NSZ500
X	POWER AMP	R 0194	88-108-103-080	0E	C-RES,U 10K-1/16W J	USFD	CX-NAJ500
X	POWER AMP	R 0194	88-108-103-080	0E	C-RES,U 10K-1/16W J	USFD	CX-NAJ503
X	POWER AMP	R 0194	88-108-103-080	0E	C-RES,U 10K-1/16W J	EZSFD	CX-NSZ500

PARTS LIST

! = Δ SAFTY PARTS
 C = Components marked

All components used on this model at the production line are shown in this service manual.

However, please note that not all components will be available as spare parts for after-sales service.

Components marked S and O are designated as spare parts for service and will be stocked at the spare parts centers.

Components marked X and R are not designated as spare parts for after sales service, and will not be stocked at the spare parts centers.

K NO. = Only use Japanese.

! C	UNIT NAME	REF NO.	PARTS CODE	K NO.	DESCRIPTION	SUFFIX	MODEL NAME
X	POWER AMP	R 0195	88-108-473-080		C-RES,U 47K-1/16W J	LHSFD	CX-NSZ500
X	POWER AMP	R 0195	88-108-473-080	0E	C-RES,U 47K-1/16W J	USFD	CX-NAJ500
X	POWER AMP	R 0195	88-108-473-080	0E	C-RES,U 47K-1/16W J	USFD	CX-NAJ503
X	POWER AMP	R 0195	88-108-473-080	0E	C-RES,U 47K-1/16W J	EZSFD	CX-NSZ500
X	POWER AMP	R 0196	88-108-473-080		C-RES,U 47K-1/16W J	LHSFD	CX-NSZ500
X	POWER AMP	R 0196	88-108-473-080	0E	C-RES,U 47K-1/16W J	USFD	CX-NAJ500
X	POWER AMP	R 0196	88-108-473-080	0E	C-RES,U 47K-1/16W J	USFD	CX-NAJ503
X	POWER AMP	R 0196	88-108-473-080	0E	C-RES,U 47K-1/16W J	EZSFD	CX-NSZ500
X	POWER AMP	R 0197	88-108-473-080		C-RES,U 47K-1/16W J	LHSFD	CX-NSZ500
X	POWER AMP	R 0197	88-108-473-080	0E	C-RES,U 47K-1/16W J	USFD	CX-NAJ500
X	POWER AMP	R 0197	88-108-473-080	0E	C-RES,U 47K-1/16W J	USFD	CX-NAJ503
X	POWER AMP	R 0197	88-108-473-080	0E	C-RES,U 47K-1/16W J	EZSFD	CX-NSZ500
X	POWER AMP	R 0198	88-108-473-080		C-RES,U 47K-1/16W J	LHSFD	CX-NSZ500
X	POWER AMP	R 0198	88-108-473-080	0E	C-RES,U 47K-1/16W J	USFD	CX-NAJ500
X	POWER AMP	R 0198	88-108-473-080	0E	C-RES,U 47K-1/16W J	USFD	CX-NAJ503
X	POWER AMP	R 0198	88-108-473-080	0E	C-RES,U 47K-1/16W J	EZSFD	CX-NSZ500
X	POWER AMP	R 0199	88-108-225-080		C-RES,U 2.2M-1/16W J	LHSFD	CX-NSZ500
X	POWER AMP	R 0199	88-108-225-080	0E	C-RES,U 2.2M-1/16W J	USFD	CX-NAJ500
X	POWER AMP	R 0199	88-108-225-080	0E	C-RES,U 2.2M-1/16W J	USFD	CX-NAJ503
X	POWER AMP	R 0199	88-108-225-080	0E	C-RES,U 2.2M-1/16W J	EZSFD	CX-NSZ500
O	POWER AMP	R 0243	87-A00-999-050		RES,180-1/2W J BLT2J	LHSFD	CX-NSZ500
O	POWER AMP	R 0243	87-A00-999-050	--	RES,180-1/2W J BLT2J	USFD	CX-NAJ500
O	POWER AMP	R 0243	87-A01-001-050	--	RES,220-1/2W J BLT2J	USFD	CX-NAJ503
O	POWER AMP	R 0243	87-A01-001-050	--	RES,220-1/2W J BLT2J	EZSFD	CX-NSZ500
O	POWER AMP	R 0244	87-A00-999-050		RES,180-1/2W J BLT2J	LHSFD	CX-NSZ500
O	POWER AMP	R 0244	87-A00-999-050	--	RES,180-1/2W J BLT2J	USFD	CX-NAJ500
O	POWER AMP	R 0244	87-A01-001-050	--	RES,220-1/2W J BLT2J	USFD	CX-NAJ503
O	POWER AMP	R 0244	87-A01-001-050	--	RES,220-1/2W J BLT2J	EZSFD	CX-NSZ500
O	POWER AMP	R 0245	87-A00-999-050		RES,180-1/2W J BLT2J	LHSFD	CX-NSZ500
O	POWER AMP	R 0245	87-A00-999-050	--	RES,180-1/2W J BLT2J	USFD	CX-NAJ500
O	POWER AMP	R 0245	87-A01-001-050	--	RES,220-1/2W J BLT2J	EZSFD	CX-NSZ500
O	POWER AMP	R 0245	87-A01-002-050	--	RES,270-1/2W J BLT2J	USFD	CX-NAJ503
O	POWER AMP	R 0246	87-A00-999-050		RES,180-1/2W J BLT2J	LHSFD	CX-NSZ500
O	POWER AMP	R 0246	87-A00-999-050	--	RES,180-1/2W J BLT2J	USFD	CX-NAJ500
O	POWER AMP	R 0246	87-A01-001-050	--	RES,220-1/2W J BLT2J	EZSFD	CX-NSZ500
O	POWER AMP	R 0246	87-A01-002-050	--	RES,270-1/2W J BLT2J	USFD	CX-NAJ503
X	POWER AMP	R 0247	88-130-100-080		RES,10-1/4W J	LHSFD	CX-NSZ500
X	POWER AMP	R 0247	88-130-100-080	0E	RES,10-1/4W J	USFD	CX-NAJ500
X	POWER AMP	R 0247	88-130-100-080	0E	RES,10-1/4W J	USFD	CX-NAJ503
X	POWER AMP	R 0247	88-130-100-080	0E	RES,10-1/4W J	EZSFD	CX-NSZ500
X	POWER AMP	R 0248	88-130-100-080		RES,10-1/4W J	LHSFD	CX-NSZ500
X	POWER AMP	R 0248	88-130-100-080	0E	RES,10-1/4W J	USFD	CX-NAJ500
X	POWER AMP	R 0248	88-130-100-080	0E	RES,10-1/4W J	USFD	CX-NAJ503
X	POWER AMP	R 0248	88-130-100-080	0E	RES,10-1/4W J	EZSFD	CX-NSZ500
X	POWER AMP	R 0249	88-128-100-080		C-RES, 10-1/8W J	LHSFD	CX-NSZ500
X	POWER AMP	R 0249	88-128-100-080	0E	C-RES, 10-1/8W J	USFD	CX-NAJ500
X	POWER AMP	R 0249	88-128-100-080	0E	C-RES, 10-1/8W J	USFD	CX-NAJ503
X	POWER AMP	R 0249	88-128-100-080	0E	C-RES, 10-1/8W J	EZSFD	CX-NSZ500
X	POWER AMP	R 0250	88-121-100-080		RES,10-1/8W J	LHSFD	CX-NSZ500
X	POWER AMP	R 0250	88-121-100-080	0E	RES,10-1/8W J	USFD	CX-NAJ500
X	POWER AMP	R 0250	88-121-100-080	0E	RES,10-1/8W J	USFD	CX-NAJ503
X	POWER AMP	R 0250	88-121-100-080	0E	RES,10-1/8W J	EZSFD	CX-NSZ500
X	POWER AMP	R 0265	88-128-222-080		C-RES, 2.2K-1/8W J	LHSFD	CX-NSZ500
X	POWER AMP	R 0265	88-128-222-080	0E	C-RES, 2.2K-1/8W J	USFD	CX-NAJ500
X	POWER AMP	R 0265	88-128-222-080	0E	C-RES, 2.2K-1/8W J	USFD	CX-NAJ503
X	POWER AMP	R 0265	88-128-222-080	0E	C-RES, 2.2K-1/8W J	EZSFD	CX-NSZ500
X	POWER AMP	R 0266	88-128-222-080		C-RES, 2.2K-1/8W J	LHSFD	CX-NSZ500
X	POWER AMP	R 0266	88-128-222-080	0E	C-RES, 2.2K-1/8W J	USFD	CX-NAJ500
X	POWER AMP	R 0266	88-128-222-080	0E	C-RES, 2.2K-1/8W J	USFD	CX-NAJ503
X	POWER AMP	R 0266	88-128-222-080	0E	C-RES, 2.2K-1/8W J	EZSFD	CX-NSZ500
O	POWER AMP	TH 0101	87-A91-042-080		C-THMS,100K 55001	LHSFD	CX-NSZ500
O	POWER AMP	TH 0101	87-A91-042-080	0E	C-THMS,100K 55001	USFD	CX-NAJ500
O	POWER AMP	TH 0101	87-A91-042-080	0E	C-THMS,100K 55001	USFD	CX-NAJ503
O	POWER AMP	TH 0101	87-A91-042-080	0E	C-THMS,100K 55001	EZSFD	CX-NSZ500
O	POWER AMP	TH 0102	87-A91-042-080		C-THMS,100K 55001	LHSFD	CX-NSZ500
O	POWER AMP	TH 0102	87-A91-042-080	0E	C-THMS,100K 55001	USFD	CX-NAJ500
O	POWER AMP	TH 0102	87-A91-042-080	0E	C-THMS,100K 55001	USFD	CX-NAJ503
O	POWER AMP	TH 0102	87-A91-042-080	0E	C-THMS,100K 55001	EZSFD	CX-NSZ500
X	PRINTED DU		87-056-168-010	0E	SH,CAUTION INF-WARR (EC)	EZSFD	CX-NSZ500
X	PRINTED DU		87-B40-085-010	0E	BAG,PV 0.04-200-350 PL	USFD	CX-NAJ500

PARTS LIST

! = Δ SAFTY PARTS
 C = Components marked

All components used on this model at the production line are shown in this service manual.

However, please note that not all components will be available as spare parts for after-sales service.

Components marked S and O are designated as spare parts for service and will be stocked at the spare parts centers.

Components marked X and R are not designated as spare parts for after sales service, and will not be stocked at the spare parts centers.

K NO. = Only use Japanese.

! C	UNIT NAME	REF NO.	PARTS CODE	K NO.	DESCRIPTION	SUFFIX	MODEL NAME
X	PRINTED DU		87-B40-085-010	0E	BAG, PV 0.04-200-350 PL	USFD	CX-NAJ503
X	PRINTED DU		87-B40-085-010	0E	BAG, PV 0.04-200-350 PL	EZSFD	CX-NSZ500
X	PRINTED DU		87-B50-053-010	0E	WARR-CARD, USA CUST/AV, VISUAL	USFD	CX-NAJ500
X	PRINTED DU		87-B50-053-010	0E	WARR-CARD, USA CUST/AV, VISUAL	USFD	CX-NAJ503
X	PRINTED DU		87-B50-056-010		SH, CAUTION AC VOLTAGE	LHSFD	CX-NSZ500
X	PRINTED DU		87-B50-079-010		LIST, FACILITY (B)-0007	LHSFD	CX-NSZ500
X	PRINTED DU		87-B50-079-010	0E	LIST, FACILITY (B)-0007	EZSFD	CX-NSZ500
O	PRINTED DU		8B-NFK-902-010		IB, LH (ESP) IN	LHSFD	CX-NSZ500
O	PRINTED DU		8B-NFK-913-010	--	IB, U (ESP) IN	USFD	CX-NAJ500
O	PRINTED DU		8B-NFK-913-010	--	IB, U (ESP) IN	USFD	CX-NAJ503
O	PRINTED DU		8B-NFK-916-010	1H	IB, EZ (9L) IN	EZSFD	CX-NSZ500
X	PT	*	8B-NFK-630-010		PWB, PT 76 2M	LHSFD	CX-NSZ500
X	PT	*	8B-NFK-630-010	--	PWB, PT 76 2M	USFD	CX-NAJ503
!	O PT	CN 0001	87-A61-110-010		CONN, 9P V TID-A	LHSFD	CX-NSZ500
!	O PT	CN 0001	87-A61-110-010	0E	CONN, 9P V TID-A	USFD	CX-NAJ503
S	PT	D 0002	87-A40-291-080		DIODE, 1N4148M (CPT)	LHSFD	CX-NSZ500
S	PT	D 0002	87-A40-291-080	0E	DIODE, 1N4148M (CPT)	USFD	CX-NAJ503
S	PT	D 0003	87-A40-291-080		DIODE, 1N4148M (CPT)	LHSFD	CX-NSZ500
S	PT	D 0003	87-A40-291-080	0E	DIODE, 1N4148M (CPT)	USFD	CX-NAJ503
S	PT	D 0004	87-A40-291-080		DIODE, 1N4148M (CPT)	LHSFD	CX-NSZ500
S	PT	D 0004	87-A40-291-080	0E	DIODE, 1N4148M (CPT)	USFD	CX-NAJ503
S	PT	D 0005	87-A40-291-080		DIODE, 1N4148M (CPT)	LHSFD	CX-NSZ500
S	PT	D 0005	87-A40-291-080	0E	DIODE, 1N4148M (CPT)	USFD	CX-NAJ503
X	PT	PR 0003	88-100-000-010	0E	PLATING-JW, 0.58 SN95	USFD	CX-NAJ503
!	O PT	PT 0002	8B-MA6-671-010	1B	PT, SUB BMA U (VRK)	USFD	CX-NAJ503
!	O PT	PT 0002	8B-MA6-673-010		PT, SUB BMA H (VRK)	LHSFD	CX-NSZ500
X	PT	R 0001	88-140-225-080	0E	RES, 2.2M-1/2W J	USFD	CX-NAJ503
!	O PT	RY 0001	87-A91-339-010		RELAY, AC DC12V G5PA-2	LHSFD	CX-NSZ500
!	O PT	RY 0002	87-A91-418-010	1B	RELAY, AC12V G5PA-1-M	USFD	CX-NAJ503
!	O PT	S 0001	87-A90-165-010		SW, SL 1-2-3 SWS2301	LHSFD	CX-NSZ500
O	PT	T 0001	87-A60-317-010		TERMINAL, 1P MSC	LHSFD	CX-NSZ500
O	PT	T 0001	87-A60-317-010	0E	TERMINAL, 1P MSC	USFD	CX-NAJ503
O	PT	T 0002	87-A60-317-010		TERMINAL, 1P MSC	LHSFD	CX-NSZ500
O	PT	T 0002	87-A60-317-010	0E	TERMINAL, 1P MSC	USFD	CX-NAJ503
O	SCREW		87-067-641-010	0E	UTT2+3-8 W/O SLOT BLK	USFD	CX-NAJ500
O	SCREW		87-067-641-010	0E	UTT2+3-8 W/O SLOT BLK	USFD	CX-NAJ503
O	SCREW		87-067-641-010	0E	UTT2+3-8 W/O SLOT BLK	EZSFD	CX-NSZ500
O	SCREW		87-067-688-010		BVTT+3-6	LHSFD	CX-NSZ500
O	SCREW		87-067-688-010	0E	BVTT+3-6	USFD	CX-NAJ500
O	SCREW		87-067-688-010	0E	BVTT+3-6	USFD	CX-NAJ503
O	SCREW		87-067-688-010	0E	BVTT+3-6	EZSFD	CX-NSZ500
O	SCREW		87-067-689-010	0E	BVTT+3-8	USFD	CX-NAJ500
O	SCREW		87-067-689-010	0E	BVTT+3-8	USFD	CX-NAJ503
O	SCREW		87-067-689-010	0E	BVTT+3-8	EZSFD	CX-NSZ500
O	SCREW		87-067-703-010	0E	BVT2+3-10 W/O SLOT	USFD	CX-NAJ500
O	SCREW		87-067-703-010	0E	BVT2+3-10 W/O SLOT	EZSFD	CX-NSZ500
O	SCREW		87-067-703-010	0E	BVT2+3-10 W/O SLOT	USFD	CX-NAJ503
O	SCREW		87-078-200-010		S-SCREW, ITC+4-8 R	LHSFD	CX-NSZ500
O	SCREW		87-078-200-010	0E	S-SCREW, ITC+4-8 R	USFD	CX-NAJ500
O	SCREW		87-078-200-010	0E	S-SCREW, ITC+4-8 R	USFD	CX-NAJ503
O	SCREW		87-078-200-010	0E	S-SCREW, ITC+4-8 R	EZSFD	CX-NSZ500
O	SCREW		87-721-096-410		QT2+3-10 W/O SLOT	LHSFD	CX-NSZ500
O	SCREW		87-721-096-410	0E	QT2+3-10 W/O SLOT	USFD	CX-NAJ500
O	SCREW		87-721-096-410	0E	QT2+3-10 W/O SLOT	USFD	CX-NAJ503
O	SCREW		87-721-096-410	0E	QT2+3-10 W/O SLOT	EZSFD	CX-NSZ500
O	SCREW		87-721-097-410		QT2+3-12 W/O SLOT	LHSFD	CX-NSZ500
O	SCREW		87-721-097-410	0E	QT2+3-12 W/O SLOT	USFD	CX-NAJ500
O	SCREW		87-721-097-410	0E	QT2+3-12 W/O SLOT	USFD	CX-NAJ503
O	SCREW		87-721-097-410	0E	QT2+3-12 W/O SLOT	EZSFD	CX-NSZ500
O	SCREW		87-723-096-410		QT2+3-10 W/O SLOT BLK	LHSFD	CX-NSZ500
O	SCREW		87-723-096-410	0E	QT2+3-10 W/O SLOT BLK	USFD	CX-NAJ500
O	SCREW		87-723-096-410	0E	QT2+3-10 W/O SLOT BLK	EZSFD	CX-NSZ500
O	SCREW		87-B10-316-010	0E	BVIT3B+3-10 R W/O	USFD	CX-NAJ500
O	SCREW		87-B10-316-010	0E	BVIT3B+3-10 R W/O	USFD	CX-NAJ503
O	SCREW		87-B10-316-010	0E	BVIT3B+3-10 R W/O	EZSFD	CX-NSZ500
O	SCREW		87-NF4-224-010		S-SCREW, IT3B+3-8 CU	LHSFD	CX-NSZ500
O	SCREW		87-NF4-224-010	0E	S-SCREW, IT3B+3-8 CU	USFD	CX-NAJ500
O	SCREW		87-NF4-224-010	0E	S-SCREW, IT3B+3-8 CU	USFD	CX-NAJ503
O	SCREW		87-NF4-224-010	0E	S-SCREW, IT3B+3-8 CU	EZSFD	CX-NSZ500

PARTS LIST

! = Δ SAFTY PARTS
 C = Components marked

All components used on this model at the production line are shown in this service manual.

However, please note that not all components will be available as spare parts for after-sales service.

Components marked S and O are designated as spare parts for service and will be stocked at the spare parts centers.

Components marked X and R are not designated as spare parts for after sales service, and will not be stocked at the spare parts centers.

K NO. = Only use Japanese.

! C	UNIT NAME	REF NO.	PARTS CODE	K NO.	DESCRIPTION	SUFFIX	MODEL NAME
X	TAPE		M8-ZZM-390-040		ZZM-3 PR1NF	LHSFD	CX-NSZ500
X	TAPE		M8-ZZM-390-040	--	ZZM-3 PR1NF	USFD	CX-NAJ500
X	TAPE		M8-ZZM-390-040	--	ZZM-3 PR1NF	USFD	CX-NAJ503
X	TAPE		M8-ZZM-390-040	--	ZZM-3 PR1NF	EZSFD	CX-NSZ500
O	TAPE DECK	C 0301	87-012-275-080		C-CAP,U 1200P-50 K B GRM	LHSFD	CX-NSZ500
O	TAPE DECK	C 0301	87-012-275-080	0E	C-CAP,U 1200P-50 K B GRM	USFD	CX-NAJ500
O	TAPE DECK	C 0301	87-012-275-080	0E	C-CAP,U 1200P-50 K B GRM	USFD	CX-NAJ503
O	TAPE DECK	C 0301	87-012-275-080	0E	C-CAP,U 1200P-50 K B GRM	EZSFD	CX-NSZ500
O	TAPE DECK	C 0302	87-012-275-080		C-CAP,U 1200P-50 K B GRM	LHSFD	CX-NSZ500
O	TAPE DECK	C 0302	87-012-275-080	0E	C-CAP,U 1200P-50 K B GRM	USFD	CX-NAJ500
O	TAPE DECK	C 0302	87-012-275-080	0E	C-CAP,U 1200P-50 K B GRM	USFD	CX-NAJ503
O	TAPE DECK	C 0302	87-012-275-080	0E	C-CAP,U 1200P-50 K B GRM	EZSFD	CX-NSZ500
O	TAPE DECK	C 0303	87-012-275-080		C-CAP,U 1200P-50 K B GRM	LHSFD	CX-NSZ500
O	TAPE DECK	C 0303	87-012-275-080	0E	C-CAP,U 1200P-50 K B GRM	USFD	CX-NAJ500
O	TAPE DECK	C 0303	87-012-275-080	0E	C-CAP,U 1200P-50 K B GRM	USFD	CX-NAJ503
O	TAPE DECK	C 0303	87-012-275-080	0E	C-CAP,U 1200P-50 K B GRM	EZSFD	CX-NSZ500
O	TAPE DECK	C 0304	87-012-275-080		C-CAP,U 1200P-50 K B GRM	LHSFD	CX-NSZ500
O	TAPE DECK	C 0304	87-012-275-080	0E	C-CAP,U 1200P-50 K B GRM	USFD	CX-NAJ500
O	TAPE DECK	C 0304	87-012-275-080	0E	C-CAP,U 1200P-50 K B GRM	USFD	CX-NAJ503
O	TAPE DECK	C 0304	87-012-275-080	0E	C-CAP,U 1200P-50 K B GRM	EZSFD	CX-NSZ500
O	TAPE DECK	C 0307	87-A12-062-080		CAP,E 100-10 SMG	LHSFD	CX-NSZ500
O	TAPE DECK	C 0307	87-A12-062-080	0E	CAP,E 100-10 SMG	USFD	CX-NAJ500
O	TAPE DECK	C 0307	87-A12-062-080	0E	CAP,E 100-10 SMG	USFD	CX-NAJ503
O	TAPE DECK	C 0307	87-A12-062-080	0E	CAP,E 100-10 SMG	EZSFD	CX-NSZ500
O	TAPE DECK	C 0308	87-A12-062-080		CAP,E 100-10 SMG	LHSFD	CX-NSZ500
O	TAPE DECK	C 0308	87-A12-062-080	0E	CAP,E 100-10 SMG	USFD	CX-NAJ500
O	TAPE DECK	C 0308	87-A12-062-080	0E	CAP,E 100-10 SMG	USFD	CX-NAJ503
O	TAPE DECK	C 0308	87-A12-062-080	0E	CAP,E 100-10 SMG	EZSFD	CX-NSZ500
O	TAPE DECK	C 0309	87-012-188-080		C-CAP,U 47P-50 J CH	LHSFD	CX-NSZ500
O	TAPE DECK	C 0309	87-012-188-080	0E	C-CAP,U 47P-50 J CH	USFD	CX-NAJ500
O	TAPE DECK	C 0309	87-012-188-080	0E	C-CAP,U 47P-50 J CH	USFD	CX-NAJ503
O	TAPE DECK	C 0309	87-012-188-080	0E	C-CAP,U 47P-50 J CH	EZSFD	CX-NSZ500
O	TAPE DECK	C 0310	87-012-188-080		C-CAP,U 47P-50 J CH	LHSFD	CX-NSZ500
O	TAPE DECK	C 0310	87-012-188-080	0E	C-CAP,U 47P-50 J CH	USFD	CX-NAJ500
O	TAPE DECK	C 0310	87-012-188-080	0E	C-CAP,U 47P-50 J CH	USFD	CX-NAJ503
O	TAPE DECK	C 0310	87-012-188-080	0E	C-CAP,U 47P-50 J CH	EZSFD	CX-NSZ500
O	TAPE DECK	C 0313	87-012-284-080		C-CAP,U 6800P-50 K B GRM	LHSFD	CX-NSZ500
O	TAPE DECK	C 0313	87-012-284-080	0E	C-CAP,U 6800P-50 K B GRM	USFD	CX-NAJ500
O	TAPE DECK	C 0313	87-012-284-080	0E	C-CAP,U 6800P-50 K B GRM	USFD	CX-NAJ503
O	TAPE DECK	C 0313	87-012-284-080	0E	C-CAP,U 6800P-50 K B GRM	EZSFD	CX-NSZ500
O	TAPE DECK	C 0314	87-012-284-080		C-CAP,U 6800P-50 K B GRM	LHSFD	CX-NSZ500
O	TAPE DECK	C 0314	87-012-284-080	0E	C-CAP,U 6800P-50 K B GRM	USFD	CX-NAJ500
O	TAPE DECK	C 0314	87-012-284-080	0E	C-CAP,U 6800P-50 K B GRM	USFD	CX-NAJ503
O	TAPE DECK	C 0314	87-012-284-080	0E	C-CAP,U 6800P-50 K B GRM	EZSFD	CX-NSZ500
O	TAPE DECK	C 0315	87-A12-062-080		CAP,E 100-10 SMG	LHSFD	CX-NSZ500
O	TAPE DECK	C 0315	87-A12-062-080	0E	CAP,E 100-10 SMG	USFD	CX-NAJ500
O	TAPE DECK	C 0315	87-A12-062-080	0E	CAP,E 100-10 SMG	USFD	CX-NAJ503
O	TAPE DECK	C 0315	87-A12-062-080	0E	CAP,E 100-10 SMG	EZSFD	CX-NSZ500
O	TAPE DECK	C 0317	87-A12-085-080		CAP,E 0.33-50 SMG	LHSFD	CX-NSZ500
O	TAPE DECK	C 0317	87-A12-085-080	0E	CAP,E 0.33-50 SMG	USFD	CX-NAJ500
O	TAPE DECK	C 0317	87-A12-085-080	0E	CAP,E 0.33-50 SMG	USFD	CX-NAJ503
O	TAPE DECK	C 0317	87-A12-085-080	0E	CAP,E 0.33-50 SMG	EZSFD	CX-NSZ500
O	TAPE DECK	C 0318	87-A12-085-080		CAP,E 0.33-50 SMG	LHSFD	CX-NSZ500
O	TAPE DECK	C 0318	87-A12-085-080	0E	CAP,E 0.33-50 SMG	USFD	CX-NAJ500
O	TAPE DECK	C 0318	87-A12-085-080	0E	CAP,E 0.33-50 SMG	USFD	CX-NAJ503
O	TAPE DECK	C 0318	87-A12-085-080	0E	CAP,E 0.33-50 SMG	EZSFD	CX-NSZ500
O	TAPE DECK	C 0326	87-010-787-080		C-CAP,U 0.022-25 K B	LHSFD	CX-NSZ500
O	TAPE DECK	C 0326	87-010-787-080	0E	C-CAP,U 0.022-25 K B	USFD	CX-NAJ500
O	TAPE DECK	C 0326	87-010-787-080	0E	C-CAP,U 0.022-25 K B	USFD	CX-NAJ503
O	TAPE DECK	C 0326	87-010-787-080	0E	C-CAP,U 0.022-25 K B	EZSFD	CX-NSZ500
O	TAPE DECK	C 0327	87-010-831-080		C-CAP,U 0.1-16 Z F	LHSFD	CX-NSZ500
O	TAPE DECK	C 0327	87-010-831-080	0E	C-CAP,U 0.1-16 Z F	USFD	CX-NAJ500
O	TAPE DECK	C 0327	87-010-831-080	0E	C-CAP,U 0.1-16 Z F	USFD	CX-NAJ503
O	TAPE DECK	C 0327	87-010-831-080	0E	C-CAP,U 0.1-16 Z F	EZSFD	CX-NSZ500
O	TAPE DECK	C 0350	87-012-286-080		C-CAP,U 0.01-25 K B	EZSFD	CX-NSZ500
O	TAPE DECK	C 0360	87-A12-087-080		CAP,E 1-50 SMG	LHSFD	CX-NSZ500
O	TAPE DECK	C 0360	87-A12-087-080	0E	CAP,E 1-50 SMG	USFD	CX-NAJ500
O	TAPE DECK	C 0360	87-A12-087-080	0E	CAP,E 1-50 SMG	USFD	CX-NAJ503
O	TAPE DECK	C 0360	87-A12-087-080	0E	CAP,E 1-50 SMG	EZSFD	CX-NSZ500
O	TAPE DECK	C 0399	87-A10-039-080		C-CAP,U 470P-50 J CH	LHSFD	CX-NSZ500

PARTS LIST

! = Δ SAFTY PARTS
 C = Components marked

All components used on this model at the production line are shown in this service manual.

However, please note that not all components will be available as spare parts for after-sales service.

Components marked S and O are designated as spare parts for service and will be stocked at the spare parts centers.

Components marked X and R are not designated as spare parts for after sales service, and will not be stocked at the spare parts centers.

K NO. = Only use Japanese.

! C	UNIT NAME	REF NO.	PARTS CODE	K NO.	DESCRIPTION	SUFFIX	MODEL NAME
O	TAPE DECK	C 0399	87-A10-039-080	0E	C-CAP,U 470P-50 J CH	USFD	CX-NAJ500
O	TAPE DECK	C 0399	87-A10-039-080	0E	C-CAP,U 470P-50 J CH	USFD	CX-NAJ503
O	TAPE DECK	C 0399	87-A10-039-080	0E	C-CAP,U 470P-50 J CH	EZSFD	CX-NSZ500
O	TAPE DECK	C 0401	87-A12-083-080		CAP,E 0.1-50 SMG	LHSFD	CX-NSZ500
O	TAPE DECK	C 0401	87-A12-083-080	0E	CAP,E 0.1-50 SMG	USFD	CX-NAJ500
O	TAPE DECK	C 0401	87-A12-083-080	0E	CAP,E 0.1-50 SMG	USFD	CX-NAJ503
O	TAPE DECK	C 0401	87-A12-083-080	0E	CAP,E 0.1-50 SMG	EZSFD	CX-NSZ500
O	TAPE DECK	C 0402	87-A12-083-080		CAP,E 0.1-50 SMG	LHSFD	CX-NSZ500
O	TAPE DECK	C 0402	87-A12-083-080	0E	CAP,E 0.1-50 SMG	USFD	CX-NAJ500
O	TAPE DECK	C 0402	87-A12-083-080	0E	CAP,E 0.1-50 SMG	USFD	CX-NAJ503
O	TAPE DECK	C 0402	87-A12-083-080	0E	CAP,E 0.1-50 SMG	EZSFD	CX-NSZ500
O	TAPE DECK	C 0403	87-012-193-080		C-CAP,U 82P-50 J CH	LHSFD	CX-NSZ500
O	TAPE DECK	C 0403	87-012-193-080	0E	C-CAP,U 82P-50 J CH	USFD	CX-NAJ500
O	TAPE DECK	C 0403	87-012-193-080	0E	C-CAP,U 82P-50 J CH	USFD	CX-NAJ503
O	TAPE DECK	C 0403	87-012-193-080	0E	C-CAP,U 82P-50 J CH	EZSFD	CX-NSZ500
O	TAPE DECK	C 0404	87-012-193-080		C-CAP,U 82P-50 J CH	LHSFD	CX-NSZ500
O	TAPE DECK	C 0404	87-012-193-080	0E	C-CAP,U 82P-50 J CH	USFD	CX-NAJ500
O	TAPE DECK	C 0404	87-012-193-080	0E	C-CAP,U 82P-50 J CH	USFD	CX-NAJ503
O	TAPE DECK	C 0404	87-012-193-080	0E	C-CAP,U 82P-50 J CH	EZSFD	CX-NSZ500
O	TAPE DECK	C 0405	87-012-286-080		C-CAP,U 0.01-25 K B	LHSFD	CX-NSZ500
O	TAPE DECK	C 0405	87-012-286-080	0E	C-CAP,U 0.01-25 K B	USFD	CX-NAJ500
O	TAPE DECK	C 0405	87-012-286-080	0E	C-CAP,U 0.01-25 K B	USFD	CX-NAJ503
O	TAPE DECK	C 0405	87-012-286-080	0E	C-CAP,U 0.01-25 K B	EZSFD	CX-NSZ500
O	TAPE DECK	C 0406	87-012-286-080		C-CAP,U 0.01-25 K B	LHSFD	CX-NSZ500
O	TAPE DECK	C 0406	87-012-286-080	0E	C-CAP,U 0.01-25 K B	USFD	CX-NAJ500
O	TAPE DECK	C 0406	87-012-286-080	0E	C-CAP,U 0.01-25 K B	USFD	CX-NAJ503
O	TAPE DECK	C 0406	87-012-286-080	0E	C-CAP,U 0.01-25 K B	EZSFD	CX-NSZ500
O	TAPE DECK	C 0407	87-012-286-080		C-CAP,U 0.01-25 K B	LHSFD	CX-NSZ500
O	TAPE DECK	C 0407	87-012-286-080	0E	C-CAP,U 0.01-25 K B	USFD	CX-NAJ500
O	TAPE DECK	C 0407	87-012-286-080	0E	C-CAP,U 0.01-25 K B	USFD	CX-NAJ503
O	TAPE DECK	C 0407	87-012-286-080	0E	C-CAP,U 0.01-25 K B	EZSFD	CX-NSZ500
O	TAPE DECK	C 0408	87-012-286-080		C-CAP,U 0.01-25 K B	LHSFD	CX-NSZ500
O	TAPE DECK	C 0408	87-012-286-080	0E	C-CAP,U 0.01-25 K B	USFD	CX-NAJ500
O	TAPE DECK	C 0408	87-012-286-080	0E	C-CAP,U 0.01-25 K B	USFD	CX-NAJ503
O	TAPE DECK	C 0408	87-012-286-080	0E	C-CAP,U 0.01-25 K B	EZSFD	CX-NSZ500
O	TAPE DECK	C 0409	87-012-278-080		C-CAP,U 2200P-50 K B	LHSFD	CX-NSZ500
O	TAPE DECK	C 0409	87-012-278-080	0E	C-CAP,U 2200P-50 K B	USFD	CX-NAJ500
O	TAPE DECK	C 0409	87-012-278-080	0E	C-CAP,U 2200P-50 K B	USFD	CX-NAJ503
O	TAPE DECK	C 0409	87-012-278-080	0E	C-CAP,U 2200P-50 K B	EZSFD	CX-NSZ500
O	TAPE DECK	C 0410	87-012-278-080		C-CAP,U 2200P-50 K B	LHSFD	CX-NSZ500
O	TAPE DECK	C 0410	87-012-278-080	0E	C-CAP,U 2200P-50 K B	USFD	CX-NAJ500
O	TAPE DECK	C 0410	87-012-278-080	0E	C-CAP,U 2200P-50 K B	USFD	CX-NAJ503
O	TAPE DECK	C 0410	87-012-278-080	0E	C-CAP,U 2200P-50 K B	EZSFD	CX-NSZ500
O	TAPE DECK	C 0411	87-A12-091-080		CAP,E 10-50 SMG	LHSFD	CX-NSZ500
O	TAPE DECK	C 0411	87-A12-091-080	0E	CAP,E 10-50 SMG	USFD	CX-NAJ500
O	TAPE DECK	C 0411	87-A12-091-080	0E	CAP,E 10-50 SMG	USFD	CX-NAJ503
O	TAPE DECK	C 0411	87-A12-091-080	0E	CAP,E 10-50 SMG	EZSFD	CX-NSZ500
O	TAPE DECK	C 0412	87-A12-091-080		CAP,E 10-50 SMG	LHSFD	CX-NSZ500
O	TAPE DECK	C 0412	87-A12-091-080	0E	CAP,E 10-50 SMG	USFD	CX-NAJ500
O	TAPE DECK	C 0412	87-A12-091-080	0E	CAP,E 10-50 SMG	USFD	CX-NAJ503
O	TAPE DECK	C 0412	87-A12-091-080	0E	CAP,E 10-50 SMG	EZSFD	CX-NSZ500
O	TAPE DECK	C 0452	87-A12-069-080		CAP,E 22-25 SMG	LHSFD	CX-NSZ500
O	TAPE DECK	C 0452	87-A12-069-080	0E	CAP,E 22-25 SMG	USFD	CX-NAJ500
O	TAPE DECK	C 0452	87-A12-069-080	0E	CAP,E 22-25 SMG	USFD	CX-NAJ503
O	TAPE DECK	C 0452	87-A12-069-080	0E	CAP,E 22-25 SMG	EZSFD	CX-NSZ500
O	TAPE DECK	C 0453	87-012-279-080		C-CAP,U 2700P-50 K B GRM	LHSFD	CX-NSZ500
O	TAPE DECK	C 0453	87-012-279-080	0E	C-CAP,U 2700P-50 K B GRM	USFD	CX-NAJ500
O	TAPE DECK	C 0453	87-012-279-080	0E	C-CAP,U 2700P-50 K B GRM	USFD	CX-NAJ503
O	TAPE DECK	C 0453	87-012-279-080	0E	C-CAP,U 2700P-50 K B GRM	EZSFD	CX-NSZ500
O	TAPE DECK	C 0454	87-012-279-080		C-CAP,U 2700P-50 K B GRM	LHSFD	CX-NSZ500
O	TAPE DECK	C 0454	87-012-279-080	0E	C-CAP,U 2700P-50 K B GRM	USFD	CX-NAJ500
O	TAPE DECK	C 0454	87-012-279-080	0E	C-CAP,U 2700P-50 K B GRM	USFD	CX-NAJ503
O	TAPE DECK	C 0454	87-012-279-080	0E	C-CAP,U 2700P-50 K B GRM	EZSFD	CX-NSZ500
O	TAPE DECK	C 0455	87-012-279-080		C-CAP,U 2700P-50 K B GRM	LHSFD	CX-NSZ500
O	TAPE DECK	C 0455	87-012-279-080	0E	C-CAP,U 2700P-50 K B GRM	USFD	CX-NAJ500
O	TAPE DECK	C 0455	87-012-279-080	0E	C-CAP,U 2700P-50 K B GRM	USFD	CX-NAJ503
O	TAPE DECK	C 0455	87-012-279-080	0E	C-CAP,U 2700P-50 K B GRM	EZSFD	CX-NSZ500
O	TAPE DECK	C 0456	87-012-286-080		C-CAP,U 0.01-25 K B	LHSFD	CX-NSZ500
O	TAPE DECK	C 0456	87-012-286-080	0E	C-CAP,U 0.01-25 K B	USFD	CX-NAJ500
O	TAPE DECK	C 0456	87-012-286-080	0E	C-CAP,U 0.01-25 K B	USFD	CX-NAJ503
O	TAPE DECK	C 0456	87-012-286-080	0E	C-CAP,U 0.01-25 K B	EZSFD	CX-NSZ500

PARTS LIST

! = Δ SAFTY PARTS
 C = Components marked

All components used on this model at the production line are shown in this service manual.

However, please note that not all components will be available as spare parts for after-sales service.

Components marked S and O are designated as spare parts for service and will be stocked at the spare parts centers.

Components marked X and R are not designated as spare parts for after sales service, and will not be stocked at the spare parts centers.

K NO. = Only use Japanese.

! C	UNIT NAME	REF NO.	PARTS CODE	K NO.	DESCRIPTION	SUFFIX	MODEL NAME
O	TAPE DECK	C 0456	87-012-286-080	0E	C-CAP,U 0.01-25 K B	EZSFD	CX-NSZ500
O	TAPE DECK	C 0457	87-A12-361-080		CAP,M 5600P-100 J CP	LHSFD	CX-NSZ500
O	TAPE DECK	C 0457	87-A12-361-080	0E	CAP,M 5600P-100 J CP	USFD	CX-NAJ500
O	TAPE DECK	C 0457	87-A12-361-080	0E	CAP,M 5600P-100 J CP	USFD	CX-NAJ503
O	TAPE DECK	C 0457	87-A12-361-080	0E	CAP,M 5600P-100 J CP	EZSFD	CX-NSZ500
O	TAPE DECK	C 0458	87-012-274-080		C-CAP,U 1000P-50 K B	LHSFD	CX-NSZ500
O	TAPE DECK	C 0458	87-012-274-080	0E	C-CAP,U 1000P-50 K B	USFD	CX-NAJ500
O	TAPE DECK	C 0458	87-012-274-080	0E	C-CAP,U 1000P-50 K B	USFD	CX-NAJ503
O	TAPE DECK	C 0458	87-012-274-080	0E	C-CAP,U 1000P-50 K B	EZSFD	CX-NSZ500
O	TAPE DECK	C 0459	87-012-271-080		C-CAP,U 560P-50 K B	LHSFD	CX-NSZ500
O	TAPE DECK	C 0459	87-012-271-080	0E	C-CAP,U 560P-50 K B	USFD	CX-NAJ500
O	TAPE DECK	C 0459	87-012-271-080	0E	C-CAP,U 560P-50 K B	USFD	CX-NAJ503
O	TAPE DECK	C 0459	87-012-271-080	0E	C-CAP,U 560P-50 K B	EZSFD	CX-NSZ500
O	TAPE DECK	C 0460	87-010-831-080		C-CAP,U 0.1-16 Z F	LHSFD	CX-NSZ500
O	TAPE DECK	C 0460	87-010-831-080	0E	C-CAP,U 0.1-16 Z F	USFD	CX-NAJ500
O	TAPE DECK	C 0460	87-010-831-080		C-CAP,U 0.1-16 Z F	USFD	CX-NAJ503
O	TAPE DECK	C 0460	87-010-831-080	0E	C-CAP,U 0.1-16 Z F	EZSFD	CX-NSZ500
O	TAPE DECK	C 0461	87-012-158-080		C-CAP,S 390P-50 J CH GRM	LHSFD	CX-NSZ500
O	TAPE DECK	C 0461	87-012-158-080	0E	C-CAP,S 390P-50 J CH GRM	USFD	CX-NAJ500
O	TAPE DECK	C 0461	87-012-158-080	0E	C-CAP,S 390P-50 J CH GRM	USFD	CX-NAJ503
O	TAPE DECK	C 0461	87-012-158-080	0E	C-CAP,S 390P-50 J CH GRM	EZSFD	CX-NSZ500
O	TAPE DECK	C 0462	87-012-158-080		C-CAP,S 390P-50 J CH GRM	LHSFD	CX-NSZ500
O	TAPE DECK	C 0462	87-012-158-080	0E	C-CAP,S 390P-50 J CH GRM	USFD	CX-NAJ500
O	TAPE DECK	C 0462	87-012-158-080	0E	C-CAP,S 390P-50 J CH GRM	USFD	CX-NAJ503
O	TAPE DECK	C 0462	87-012-158-080	0E	C-CAP,S 390P-50 J CH GRM	EZSFD	CX-NSZ500
O	TAPE DECK	C 0470	87-018-127-080		CAP,TC U 470P-50 K B UP050	LHSFD	CX-NSZ500
O	TAPE DECK	C 0470	87-018-127-080	0E	CAP,TC U 470P-50 K B UP050	USFD	CX-NAJ500
O	TAPE DECK	C 0470	87-018-127-080	0E	CAP,TC U 470P-50 K B UP050	USFD	CX-NAJ503
O	TAPE DECK	C 0470	87-018-127-080	0E	CAP,TC U 470P-50 K B UP050	EZSFD	CX-NSZ500
X	TAPE DECK	CLP0302	87-A60-884-010		PIN,DIAL COATING-SHS	LHSFD	CX-NSZ500
X	TAPE DECK	CLP0302	87-A60-884-010	0E	PIN,DIAL COATING-SHS	USFD	CX-NAJ500
X	TAPE DECK	CLP0302	87-A60-884-010	0E	PIN,DIAL COATING-SHS	USFD	CX-NAJ503
X	TAPE DECK	CLP0302	87-A60-884-010	0E	PIN,DIAL COATING-SHS	EZSFD	CX-NSZ500
O	TAPE DECK	CN 0301	87-A60-620-010		CONN,3P V 2MM JMT	LHSFD	CX-NSZ500
O	TAPE DECK	CN 0301	87-A60-620-010	0E	CONN,3P V 2MM JMT	USFD	CX-NAJ500
O	TAPE DECK	CN 0301	87-A60-620-010	0E	CONN,3P V 2MM JMT	USFD	CX-NAJ503
O	TAPE DECK	CN 0301	87-A60-620-010	0E	CONN,3P V 2MM JMT	EZSFD	CX-NSZ500
O	TAPE DECK	CN 0351	87-A60-625-010		CONN,8P V 2MM JMT	LHSFD	CX-NSZ500
O	TAPE DECK	CN 0351	87-A60-625-010	0E	CONN,8P V 2MM JMT	USFD	CX-NAJ500
O	TAPE DECK	CN 0351	87-A60-625-010	0E	CONN,8P V 2MM JMT	USFD	CX-NAJ503
O	TAPE DECK	CN 0351	87-A60-625-010	0E	CONN,8P V 2MM JMT	EZSFD	CX-NSZ500
S	TAPE DECK	D 0401	87-A40-291-080		DIODE,1N4148M (CPT)	LHSFD	CX-NSZ500
S	TAPE DECK	D 0401	87-A40-291-080	0E	DIODE,1N4148M (CPT)	USFD	CX-NAJ500
S	TAPE DECK	D 0401	87-A40-291-080	0E	DIODE,1N4148M (CPT)	USFD	CX-NAJ503
S	TAPE DECK	D 0401	87-A40-291-080	0E	DIODE,1N4148M (CPT)	EZSFD	CX-NSZ500
X	TAPE DECK	FB 0301	88-100-000-010		PLATING-JW, 0.58 SN95	LHSFD	CX-NSZ500
X	TAPE DECK	FB 0301	88-100-000-010	0E	PLATING-JW, 0.58 SN95	USFD	CX-NAJ500
X	TAPE DECK	FB 0301	88-100-000-010	0E	PLATING-JW, 0.58 SN95	USFD	CX-NAJ503
X	TAPE DECK	FB 0301	88-100-000-010	0E	PLATING-JW, 0.58 SN95	EZSFD	CX-NSZ500
X	TAPE DECK	FB 0302	88-108-000-080		C-JUMPER,U	LHSFD	CX-NSZ500
X	TAPE DECK	FB 0302	88-108-000-080	0E	C-JUMPER,U	USFD	CX-NAJ500
X	TAPE DECK	FB 0302	88-108-000-080	0E	C-JUMPER,U	USFD	CX-NAJ503
X	TAPE DECK	FB 0302	88-108-000-080	0E	C-JUMPER,U	EZSFD	CX-NSZ500
S	TAPE DECK	IC 0301	87-A21-419-040		C-IC,NJM14558MD-TE2	LHSFD	CX-NSZ500
S	TAPE DECK	IC 0301	87-A21-419-040	0E	C-IC,NJM14558MD-TE2	USFD	CX-NAJ500
S	TAPE DECK	IC 0301	87-A21-419-040	0E	C-IC,NJM14558MD-TE2	USFD	CX-NAJ503
S	TAPE DECK	IC 0301	87-A21-419-040	0E	C-IC,NJM14558MD-TE2	EZSFD	CX-NSZ500
S	TAPE DECK	IC 0401	87-A21-893-040		C-IC,NJM14558V-TE2	LHSFD	CX-NSZ500
S	TAPE DECK	IC 0401	87-A21-893-040	1A	C-IC,NJM14558V-TE2	USFD	CX-NAJ500
S	TAPE DECK	IC 0401	87-A21-893-040	1A	C-IC,NJM14558V-TE2	USFD	CX-NAJ503
S	TAPE DECK	IC 0401	87-A21-893-040	1A	C-IC,NJM14558V-TE2	EZSFD	CX-NSZ500
X	TAPE DECK	JR 0302	88-129-000-080		C-JUMPER,3216	LHSFD	CX-NSZ500
X	TAPE DECK	JR 0302	88-129-000-080	0E	C-JUMPER,3216	USFD	CX-NAJ500
X	TAPE DECK	JR 0302	88-129-000-080	0E	C-JUMPER,3216	USFD	CX-NAJ503
X	TAPE DECK	JR 0302	88-129-000-080	0E	C-JUMPER,3216	EZSFD	CX-NSZ500
X	TAPE DECK	JR 0305	88-108-000-080		C-JUMPER,U	LHSFD	CX-NSZ500
X	TAPE DECK	JR 0305	88-108-000-080	0E	C-JUMPER,U	USFD	CX-NAJ500
X	TAPE DECK	JR 0305	88-108-000-080	0E	C-JUMPER,U	USFD	CX-NAJ503
X	TAPE DECK	JR 0305	88-108-000-080	0E	C-JUMPER,U	EZSFD	CX-NSZ500
X	TAPE DECK	JR 0306	88-108-000-080		C-JUMPER,U	LHSFD	CX-NSZ500

PARTS LIST

! = Δ SAFTY PARTS
 C = Components marked

All components used on this model at the production line are shown in this service manual.

However, please note that not all components will be available as spare parts for after-sales service.

Components marked S and O are designated as spare parts for service and will be stocked at the spare parts centers.

Components marked X and R are not designated as spare parts for after sales service, and will not be stocked at the spare parts centers.

K NO. = Only use Japanese.

! C	UNIT NAME	REF NO.	PARTS CODE	K NO.	DESCRIPTION	SUFFIX	MODEL NAME
X	TAPE DECK	JR 0306	88-108-000-080	0E	C-JUMPER, U	USFD	CX-NAJ500
X	TAPE DECK	JR 0306	88-108-000-080	0E	C-JUMPER, U	USFD	CX-NAJ503
X	TAPE DECK	JR 0306	88-108-000-080	0E	C-JUMPER, U	EZSFD	CX-NSZ500
X	TAPE DECK	JR 0307	88-108-000-080		C-JUMPER, U	LHSFD	CX-NSZ500
X	TAPE DECK	JR 0307	88-108-000-080	0E	C-JUMPER, U	USFD	CX-NAJ500
X	TAPE DECK	JR 0307	88-108-000-080	0E	C-JUMPER, U	USFD	CX-NAJ503
X	TAPE DECK	JR 0307	88-108-000-080	0E	C-JUMPER, U	EZSFD	CX-NSZ500
X	TAPE DECK	JR 0401	88-129-000-080		C-JUMPER, 3216	LHSFD	CX-NSZ500
X	TAPE DECK	JR 0401	88-129-000-080	0E	C-JUMPER, 3216	USFD	CX-NAJ500
X	TAPE DECK	JR 0401	88-129-000-080	0E	C-JUMPER, 3216	USFD	CX-NAJ503
X	TAPE DECK	JR 0401	88-129-000-080	0E	C-JUMPER, 3216	USFD	CX-NAJ500
X	TAPE DECK	JR 0401	88-129-000-080	0E	C-JUMPER, 3216	USFD	CX-NAJ503
X	TAPE DECK	JR 0401	88-129-000-080	0E	C-JUMPER, 3216	USFD	CX-NAJ500
X	TAPE DECK	JR 0401	88-129-000-080	0E	C-JUMPER, 3216	USFD	CX-NAJ503
X	TAPE DECK	JR 0402	88-108-000-080		C-JUMPER, U	LHSFD	CX-NSZ500
X	TAPE DECK	JR 0402	88-108-000-080	0E	C-JUMPER, U	USFD	CX-NAJ500
X	TAPE DECK	JR 0402	88-108-000-080	0E	C-JUMPER, U	USFD	CX-NAJ503
X	TAPE DECK	JR 0402	88-108-000-080	0E	C-JUMPER, U	EZSFD	CX-NSZ500
X	TAPE DECK	JR 0403	88-129-000-080		C-JUMPER, 3216	LHSFD	CX-NSZ500
X	TAPE DECK	JR 0403	88-129-000-080	0E	C-JUMPER, 3216	USFD	CX-NAJ500
X	TAPE DECK	JR 0403	88-129-000-080	0E	C-JUMPER, 3216	USFD	CX-NAJ503
X	TAPE DECK	JR 0403	88-129-000-080	0E	C-JUMPER, 3216	EZSFD	CX-NSZ500
X	TAPE DECK	JR 0404	88-128-829-080		C-RES, 8.2-1/8W J	LHSFD	CX-NSZ500
X	TAPE DECK	JR 0404	88-128-829-080	0E	C-RES, 8.2-1/8W J	USFD	CX-NAJ500
X	TAPE DECK	JR 0404	88-128-829-080	0E	C-RES, 8.2-1/8W J	USFD	CX-NAJ503
X	TAPE DECK	JR 0404	88-128-829-080	0E	C-RES, 8.2-1/8W J	EZSFD	CX-NSZ500
O	TAPE DECK	L 0451	87-007-342-010		COIL, OSC 85KHZ BIAS	LHSFD	CX-NSZ500
O	TAPE DECK	L 0451	87-007-342-010	0E	COIL, OSC 85KHZ BIAS	USFD	CX-NAJ500
O	TAPE DECK	L 0451	87-007-342-010	0E	COIL, OSC 85KHZ BIAS	USFD	CX-NAJ503
O	TAPE DECK	L 0451	87-007-342-010	0E	COIL, OSC 85KHZ BIAS	EZSFD	CX-NSZ500
S	TAPE DECK	Q 0301	87-A30-091-080		FET, 2SJ460	LHSFD	CX-NSZ500
S	TAPE DECK	Q 0301	87-A30-091-080	1E	FET, 2SJ460	USFD	CX-NAJ500
S	TAPE DECK	Q 0301	87-A30-091-080	1E	FET, 2SJ460	USFD	CX-NAJ503
S	TAPE DECK	Q 0301	87-A30-091-080	1E	FET, 2SJ460	EZSFD	CX-NSZ500
S	TAPE DECK	Q 0302	87-A30-091-080		FET, 2SJ460	LHSFD	CX-NSZ500
S	TAPE DECK	Q 0302	87-A30-091-080	1E	FET, 2SJ460	USFD	CX-NAJ500
S	TAPE DECK	Q 0302	87-A30-091-080	1E	FET, 2SJ460	USFD	CX-NAJ503
S	TAPE DECK	Q 0302	87-A30-091-080	1E	FET, 2SJ460	EZSFD	CX-NSZ500
S	TAPE DECK	Q 0303	87-A30-090-080		FET, 2SK2541	LHSFD	CX-NSZ500
S	TAPE DECK	Q 0303	87-A30-090-080	0E	FET, 2SK2541	USFD	CX-NAJ500
S	TAPE DECK	Q 0303	87-A30-090-080	0E	FET, 2SK2541	USFD	CX-NAJ503
S	TAPE DECK	Q 0303	87-A30-090-080	0E	FET, 2SK2541	EZSFD	CX-NSZ500
S	TAPE DECK	Q 0304	87-A30-090-080		FET, 2SK2541	LHSFD	CX-NSZ500
S	TAPE DECK	Q 0304	87-A30-090-080	0E	FET, 2SK2541	USFD	CX-NAJ500
S	TAPE DECK	Q 0304	87-A30-090-080	0E	FET, 2SK2541	USFD	CX-NAJ503
S	TAPE DECK	Q 0304	87-A30-090-080	0E	FET, 2SK2541	EZSFD	CX-NSZ500
S	TAPE DECK	Q 0305	87-A30-091-080		FET, 2SJ460	LHSFD	CX-NSZ500
S	TAPE DECK	Q 0305	87-A30-091-080	1E	FET, 2SJ460	USFD	CX-NAJ500
S	TAPE DECK	Q 0305	87-A30-091-080	1E	FET, 2SJ460	USFD	CX-NAJ503
S	TAPE DECK	Q 0305	87-A30-091-080	1E	FET, 2SJ460	EZSFD	CX-NSZ500
S	TAPE DECK	Q 0306	87-A30-062-080		C-TR, KRC104S	LHSFD	CX-NSZ500
S	TAPE DECK	Q 0306	87-A30-062-080	0E	C-TR, KRC104S	USFD	CX-NAJ500
S	TAPE DECK	Q 0306	87-A30-062-080	0E	C-TR, KRC104S	USFD	CX-NAJ503
S	TAPE DECK	Q 0306	87-A30-062-080	0E	C-TR, KRC104S	EZSFD	CX-NSZ500
S	TAPE DECK	Q 0307	87-A30-091-080		FET, 2SJ460	LHSFD	CX-NSZ500
S	TAPE DECK	Q 0307	87-A30-091-080	1E	FET, 2SJ460	USFD	CX-NAJ500
S	TAPE DECK	Q 0307	87-A30-091-080	1E	FET, 2SJ460	USFD	CX-NAJ503
S	TAPE DECK	Q 0307	87-A30-091-080	1E	FET, 2SJ460	EZSFD	CX-NSZ500
S	TAPE DECK	Q 0308	87-A30-091-080		FET, 2SJ460	LHSFD	CX-NSZ500
S	TAPE DECK	Q 0308	87-A30-091-080	1E	FET, 2SJ460	USFD	CX-NAJ500
S	TAPE DECK	Q 0308	87-A30-091-080	1E	FET, 2SJ460	USFD	CX-NAJ503
S	TAPE DECK	Q 0308	87-A30-091-080	1E	FET, 2SJ460	EZSFD	CX-NSZ500
S	TAPE DECK	Q 0309	87-A30-075-080		C-TR, 2SA1235F	LHSFD	CX-NSZ500
S	TAPE DECK	Q 0309	87-A30-075-080	0E	C-TR, 2SA1235F	USFD	CX-NAJ500
S	TAPE DECK	Q 0309	87-A30-075-080	0E	C-TR, 2SA1235F	USFD	CX-NAJ503
S	TAPE DECK	Q 0309	87-A30-075-080	0E	C-TR, 2SA1235F	EZSFD	CX-NSZ500
S	TAPE DECK	Q 0310	87-A30-075-080		C-TR, 2SA1235F	LHSFD	CX-NSZ500
S	TAPE DECK	Q 0310	87-A30-075-080	0E	C-TR, 2SA1235F	USFD	CX-NAJ500
S	TAPE DECK	Q 0310	87-A30-075-080	0E	C-TR, 2SA1235F	USFD	CX-NAJ503
S	TAPE DECK	Q 0310	87-A30-075-080	0E	C-TR, 2SA1235F	EZSFD	CX-NSZ500
S	TAPE DECK	Q 0443	87-A30-075-080		C-TR, 2SA1235F	LHSFD	CX-NSZ500
S	TAPE DECK	Q 0443	87-A30-075-080	0E	C-TR, 2SA1235F	USFD	CX-NAJ500
S	TAPE DECK	Q 0443	87-A30-075-080	0E	C-TR, 2SA1235F	USFD	CX-NAJ503
S	TAPE DECK	Q 0443	87-A30-075-080	0E	C-TR, 2SA1235F	EZSFD	CX-NSZ500

PARTS LIST

! = Δ SAFTY PARTS
 C = Components marked

All components used on this model at the production line are shown in this service manual.

However, please note that not all components will be available as spare parts for after-sales service.

Components marked S and O are designated as spare parts for service and will be stocked at the spare parts centers.

Components marked X and R are not designated as spare parts for after sales service, and will not be stocked at the spare parts centers.

K NO. = Only use Japanese.

! C	UNIT NAME	REF NO.	PARTS CODE	K NO.	DESCRIPTION	SUFFIX	MODEL NAME
S	TAPE DECK	Q 0443	87-A30-075-080	0E	C-TR,2SA1235F	EZSFD	CX-NSZ500
S	TAPE DECK	Q 0444	87-A30-075-080		C-TR,2SA1235F	LHSFD	CX-NSZ500
S	TAPE DECK	Q 0444	87-A30-075-080	0E	C-TR,2SA1235F	USFD	CX-NAJ500
S	TAPE DECK	Q 0444	87-A30-075-080	0E	C-TR,2SA1235F	USFD	CX-NAJ503
S	TAPE DECK	Q 0444	87-A30-075-080	0E	C-TR,2SA1235F	EZSFD	CX-NSZ500
S	TAPE DECK	Q 0451	87-A30-495-080		TR,2SA1981Y	LHSFD	CX-NSZ500
S	TAPE DECK	Q 0451	87-A30-495-080	0E	TR,2SA1981Y	USFD	CX-NAJ500
S	TAPE DECK	Q 0451	87-A30-495-080	0E	TR,2SA1981Y	USFD	CX-NAJ503
S	TAPE DECK	Q 0451	87-A30-495-080	0E	TR,2SA1981Y	EZSFD	CX-NSZ500
S	TAPE DECK	Q 0453	87-A30-615-080		TR,STC250	LHSFD	CX-NSZ500
S	TAPE DECK	Q 0453	87-A30-615-080	--	TR,STC250	USFD	CX-NAJ500
S	TAPE DECK	Q 0453	87-A30-615-080	0E	TR,STC250	USFD	CX-NAJ503
S	TAPE DECK	Q 0453	87-A30-615-080	0E	TR,STC250	EZSFD	CX-NSZ500
S	TAPE DECK	Q 0454	87-A30-615-080		TR,STC250	LHSFD	CX-NSZ500
S	TAPE DECK	Q 0454	87-A30-615-080	--	TR,STC250	USFD	CX-NAJ500
S	TAPE DECK	Q 0454	87-A30-615-080	0E	TR,STC250	USFD	CX-NAJ503
S	TAPE DECK	Q 0454	87-A30-615-080	0E	TR,STC250	EZSFD	CX-NSZ500
S	TAPE DECK	Q 0455	87-A30-076-080	0E	C-TR,2SC3052F	EZSFD	CX-NSZ500
X	TAPE DECK	R 0301	88-108-393-080		C-RES,U 39K-1/16W J	LHSFD	CX-NSZ500
X	TAPE DECK	R 0301	88-108-393-080	0E	C-RES,U 39K-1/16W J	USFD	CX-NAJ500
X	TAPE DECK	R 0301	88-108-393-080	0E	C-RES,U 39K-1/16W J	USFD	CX-NSZ500
X	TAPE DECK	R 0301	88-108-393-080	0E	C-RES,U 39K-1/16W J	EZSFD	CX-NSZ500
X	TAPE DECK	R 0302	88-108-393-080		C-RES,U 39K-1/16W J	LHSFD	CX-NSZ500
X	TAPE DECK	R 0302	88-108-393-080	0E	C-RES,U 39K-1/16W J	USFD	CX-NAJ500
X	TAPE DECK	R 0302	88-108-393-080	0E	C-RES,U 39K-1/16W J	USFD	CX-NAJ503
X	TAPE DECK	R 0302	88-108-393-080	0E	C-RES,U 39K-1/16W J	EZSFD	CX-NSZ500
X	TAPE DECK	R 0303	88-108-823-080		C-RES,U 82K-1/16W J	LHSFD	CX-NSZ500
X	TAPE DECK	R 0303	88-108-823-080	0E	C-RES,U 82K-1/16W J	USFD	CX-NAJ500
X	TAPE DECK	R 0303	88-108-823-080	0E	C-RES,U 82K-1/16W J	USFD	CX-NAJ503
X	TAPE DECK	R 0303	88-108-823-080	0E	C-RES,U 82K-1/16W J	EZSFD	CX-NSZ500
X	TAPE DECK	R 0304	88-108-823-080		C-RES,U 82K-1/16W J	LHSFD	CX-NSZ500
X	TAPE DECK	R 0304	88-108-823-080	0E	C-RES,U 82K-1/16W J	USFD	CX-NAJ500
X	TAPE DECK	R 0304	88-108-823-080	0E	C-RES,U 82K-1/16W J	USFD	CX-NAJ503
X	TAPE DECK	R 0304	88-108-823-080	0E	C-RES,U 82K-1/16W J	EZSFD	CX-NSZ500
X	TAPE DECK	R 0305	88-108-224-080		C-RES,U 220K-1/16W J	LHSFD	CX-NSZ500
X	TAPE DECK	R 0305	88-108-224-080	0E	C-RES,U 220K-1/16W J	USFD	CX-NAJ500
X	TAPE DECK	R 0305	88-108-224-080	0E	C-RES,U 220K-1/16W J	USFD	CX-NAJ503
X	TAPE DECK	R 0305	88-108-224-080	0E	C-RES,U 220K-1/16W J	EZSFD	CX-NSZ500
X	TAPE DECK	R 0306	88-108-682-080		C-RES,U 6.8K-1/16W J	LHSFD	CX-NSZ500
X	TAPE DECK	R 0306	88-108-682-080	0E	C-RES,U 6.8K-1/16W J	USFD	CX-NAJ500
X	TAPE DECK	R 0306	88-108-682-080	0E	C-RES,U 6.8K-1/16W J	USFD	CX-NAJ503
X	TAPE DECK	R 0306	88-108-682-080	0E	C-RES,U 6.8K-1/16W J	EZSFD	CX-NSZ500
X	TAPE DECK	R 0307	88-108-471-080		C-RES,U 470-1/16W J	LHSFD	CX-NSZ500
X	TAPE DECK	R 0307	88-108-471-080	0E	C-RES,U 470-1/16W J	USFD	CX-NAJ500
X	TAPE DECK	R 0307	88-108-471-080	0E	C-RES,U 470-1/16W J	USFD	CX-NAJ503
X	TAPE DECK	R 0307	88-108-471-080	0E	C-RES,U 470-1/16W J	EZSFD	CX-NSZ500
X	TAPE DECK	R 0308	88-108-471-080		C-RES,U 470-1/16W J	LHSFD	CX-NSZ500
X	TAPE DECK	R 0308	88-108-471-080	0E	C-RES,U 470-1/16W J	USFD	CX-NAJ500
X	TAPE DECK	R 0308	88-108-471-080	0E	C-RES,U 470-1/16W J	USFD	CX-NAJ503
X	TAPE DECK	R 0308	88-108-471-080	0E	C-RES,U 470-1/16W J	EZSFD	CX-NSZ500
X	TAPE DECK	R 0309	88-108-680-080		C-RES,U 68-1/16W J	LHSFD	CX-NSZ500
X	TAPE DECK	R 0309	88-108-680-080	0E	C-RES,U 68-1/16W J	USFD	CX-NAJ500
X	TAPE DECK	R 0309	88-108-680-080	0E	C-RES,U 68-1/16W J	USFD	CX-NAJ503
X	TAPE DECK	R 0309	88-108-680-080	0E	C-RES,U 68-1/16W J	EZSFD	CX-NSZ500
X	TAPE DECK	R 0310	88-108-680-080		C-RES,U 68-1/16W J	LHSFD	CX-NSZ500
X	TAPE DECK	R 0310	88-108-680-080	0E	C-RES,U 68-1/16W J	USFD	CX-NAJ500
X	TAPE DECK	R 0310	88-108-680-080	0E	C-RES,U 68-1/16W J	USFD	CX-NAJ503
X	TAPE DECK	R 0310	88-108-680-080	0E	C-RES,U 68-1/16W J	EZSFD	CX-NSZ500
X	TAPE DECK	R 0313	88-108-183-080		C-RES,U 18K-1/16W J	LHSFD	CX-NSZ500
X	TAPE DECK	R 0313	88-108-183-080	0E	C-RES,U 18K-1/16W J	USFD	CX-NAJ500
X	TAPE DECK	R 0313	88-108-183-080	0E	C-RES,U 18K-1/16W J	USFD	CX-NAJ503
X	TAPE DECK	R 0313	88-108-183-080	0E	C-RES,U 18K-1/16W J	EZSFD	CX-NSZ500
X	TAPE DECK	R 0314	88-108-183-080		C-RES,U 18K-1/16W J	LHSFD	CX-NSZ500
X	TAPE DECK	R 0314	88-108-183-080	0E	C-RES,U 18K-1/16W J	USFD	CX-NAJ500
X	TAPE DECK	R 0314	88-108-183-080	0E	C-RES,U 18K-1/16W J	USFD	CX-NAJ503
X	TAPE DECK	R 0314	88-108-183-080	0E	C-RES,U 18K-1/16W J	EZSFD	CX-NSZ500
X	TAPE DECK	R 0315	88-108-394-080		C-RES,U 390K-1/16W J	LHSFD	CX-NSZ500
X	TAPE DECK	R 0315	88-108-394-080	0E	C-RES,U 390K-1/16W J	USFD	CX-NAJ500
X	TAPE DECK	R 0315	88-108-394-080	0E	C-RES,U 390K-1/16W J	USFD	CX-NAJ503
X	TAPE DECK	R 0315	88-108-394-080	0E	C-RES,U 390K-1/16W J	EZSFD	CX-NSZ500

PARTS LIST

! = Δ SAFTY PARTS
 C = Components marked

All components used on this model at the production line are shown in this service manual.

However, please note that not all components will be available as spare parts for after-sales service.

Components marked S and O are designated as spare parts for service and will be stocked at the spare parts centers.

Components marked X and R are not designated as spare parts for after sales service, and will not be stocked at the spare parts centers.

K NO. = Only use Japanese.

! C	UNIT NAME	REF NO.	PARTS CODE	K NO.	DESCRIPTION	SUFFIX	MODEL NAME
X	TAPE DECK	R 0316	88-108-394-080		C-RES,U 390K-1/16W J	LHSFD	CX-NSZ500
X	TAPE DECK	R 0316	88-108-394-080	0E	C-RES,U 390K-1/16W J	USFD	CX-NAJ500
X	TAPE DECK	R 0316	88-108-394-080	0E	C-RES,U 390K-1/16W J	USFD	CX-NAJ503
X	TAPE DECK	R 0316	88-108-394-080	0E	C-RES,U 390K-1/16W J	EZSFD	CX-NSZ500
X	TAPE DECK	R 0317	88-108-122-080		C-RES,U 1.2K-1/16W J	LHSFD	CX-NSZ500
X	TAPE DECK	R 0317	88-108-122-080	0E	C-RES,U 1.2K-1/16W J	USFD	CX-NAJ500
X	TAPE DECK	R 0317	88-108-122-080	0E	C-RES,U 1.2K-1/16W J	USFD	CX-NAJ503
X	TAPE DECK	R 0317	88-108-122-080	0E	C-RES,U 1.2K-1/16W J	EZSFD	CX-NSZ500
X	TAPE DECK	R 0318	88-108-122-080		C-RES,U 1.2K-1/16W J	LHSFD	CX-NSZ500
X	TAPE DECK	R 0318	88-108-122-080	0E	C-RES,U 1.2K-1/16W J	USFD	CX-NAJ500
X	TAPE DECK	R 0318	88-108-122-080	0E	C-RES,U 1.2K-1/16W J	USFD	CX-NAJ503
X	TAPE DECK	R 0318	88-108-122-080	0E	C-RES,U 1.2K-1/16W J	EZSFD	CX-NSZ500
X	TAPE DECK	R 0319	88-108-472-080		C-RES,U 4.7K-1/16W J	LHSFD	CX-NSZ500
X	TAPE DECK	R 0319	88-108-472-080	0E	C-RES,U 4.7K-1/16W J	USFD	CX-NAJ500
X	TAPE DECK	R 0319	88-108-472-080	0E	C-RES,U 4.7K-1/16W J	USFD	CX-NAJ503
X	TAPE DECK	R 0319	88-108-472-080	0E	C-RES,U 4.7K-1/16W J	EZSFD	CX-NSZ500
X	TAPE DECK	R 0321	88-108-000-080		C-JUMPER,U	LHSFD	CX-NSZ500
X	TAPE DECK	R 0321	88-108-000-080	0E	C-JUMPER,U	USFD	CX-NAJ500
X	TAPE DECK	R 0321	88-108-000-080	0E	C-JUMPER,U	USFD	CX-NAJ503
X	TAPE DECK	R 0321	88-108-000-080	0E	C-JUMPER,U	EZSFD	CX-NSZ500
X	TAPE DECK	R 0322	88-108-000-080		C-JUMPER,U	LHSFD	CX-NSZ500
X	TAPE DECK	R 0322	88-108-000-080	0E	C-JUMPER,U	USFD	CX-NAJ500
X	TAPE DECK	R 0322	88-108-000-080	0E	C-JUMPER,U	USFD	CX-NAJ503
X	TAPE DECK	R 0322	88-108-000-080	0E	C-JUMPER,U	EZSFD	CX-NSZ500
X	TAPE DECK	R 0375	88-108-102-080		C-RES,U 1K-1/16W J	LHSFD	CX-NSZ500
X	TAPE DECK	R 0375	88-108-102-080	0E	C-RES,U 1K-1/16W J	USFD	CX-NAJ500
X	TAPE DECK	R 0375	88-108-102-080	0E	C-RES,U 1K-1/16W J	USFD	CX-NAJ503
X	TAPE DECK	R 0375	88-108-102-080	0E	C-RES,U 1K-1/16W J	EZSFD	CX-NSZ500
X	TAPE DECK	R 0376	88-108-102-080		C-RES,U 1K-1/16W J	LHSFD	CX-NSZ500
X	TAPE DECK	R 0376	88-108-102-080	0E	C-RES,U 1K-1/16W J	USFD	CX-NAJ500
X	TAPE DECK	R 0376	88-108-102-080	0E	C-RES,U 1K-1/16W J	USFD	CX-NAJ503
X	TAPE DECK	R 0376	88-108-102-080	0E	C-RES,U 1K-1/16W J	EZSFD	CX-NSZ500
X	TAPE DECK	R 0377	88-121-101-080		RES,100-1/8W J	LHSFD	CX-NSZ500
X	TAPE DECK	R 0377	88-121-101-080	0E	RES,100-1/8W J	USFD	CX-NAJ500
X	TAPE DECK	R 0377	88-121-101-080	0E	RES,100-1/8W J	USFD	CX-NAJ503
X	TAPE DECK	R 0377	88-121-101-080	0E	RES,100-1/8W J	EZSFD	CX-NSZ500
X	TAPE DECK	R 0399	88-108-105-080		C-RES,U 1M-1/16W J	LHSFD	CX-NSZ500
X	TAPE DECK	R 0399	88-108-105-080	0E	C-RES,U 1M-1/16W J	USFD	CX-NAJ500
X	TAPE DECK	R 0399	88-108-105-080	0E	C-RES,U 1M-1/16W J	USFD	CX-NAJ503
X	TAPE DECK	R 0399	88-108-105-080	0E	C-RES,U 1M-1/16W J	EZSFD	CX-NSZ500
X	TAPE DECK	R 0401	88-108-104-080		C-RES,U 100K-1/16W J	LHSFD	CX-NSZ500
X	TAPE DECK	R 0401	88-108-104-080	0E	C-RES,U 100K-1/16W J	USFD	CX-NAJ500
X	TAPE DECK	R 0401	88-108-104-080	0E	C-RES,U 100K-1/16W J	USFD	CX-NAJ503
X	TAPE DECK	R 0401	88-108-104-080	0E	C-RES,U 100K-1/16W J	EZSFD	CX-NSZ500
X	TAPE DECK	R 0402	88-108-104-080		C-RES,U 100K-1/16W J	LHSFD	CX-NSZ500
X	TAPE DECK	R 0402	88-108-104-080	0E	C-RES,U 100K-1/16W J	USFD	CX-NAJ500
X	TAPE DECK	R 0402	88-108-104-080	0E	C-RES,U 100K-1/16W J	USFD	CX-NAJ503
X	TAPE DECK	R 0402	88-108-104-080	0E	C-RES,U 100K-1/16W J	EZSFD	CX-NSZ500
X	TAPE DECK	R 0403	88-108-102-080		C-RES,U 1K-1/16W J	LHSFD	CX-NSZ500
X	TAPE DECK	R 0403	88-108-102-080	0E	C-RES,U 1K-1/16W J	USFD	CX-NAJ500
X	TAPE DECK	R 0403	88-108-102-080	0E	C-RES,U 1K-1/16W J	USFD	CX-NAJ503
X	TAPE DECK	R 0403	88-108-102-080	0E	C-RES,U 1K-1/16W J	EZSFD	CX-NSZ500
X	TAPE DECK	R 0404	88-108-102-080		C-RES,U 1K-1/16W J	LHSFD	CX-NSZ500
X	TAPE DECK	R 0404	88-108-102-080	0E	C-RES,U 1K-1/16W J	USFD	CX-NAJ500
X	TAPE DECK	R 0404	88-108-102-080	0E	C-RES,U 1K-1/16W J	USFD	CX-NAJ503
X	TAPE DECK	R 0404	88-108-102-080	0E	C-RES,U 1K-1/16W J	EZSFD	CX-NSZ500
X	TAPE DECK	R 0405	88-108-823-080		C-RES,U 82K-1/16W J	LHSFD	CX-NSZ500
X	TAPE DECK	R 0405	88-108-823-080	0E	C-RES,U 82K-1/16W J	USFD	CX-NAJ500
X	TAPE DECK	R 0405	88-108-823-080	0E	C-RES,U 82K-1/16W J	USFD	CX-NAJ503
X	TAPE DECK	R 0405	88-108-823-080	0E	C-RES,U 82K-1/16W J	EZSFD	CX-NSZ500
X	TAPE DECK	R 0406	88-108-823-080		C-RES,U 82K-1/16W J	LHSFD	CX-NSZ500
X	TAPE DECK	R 0406	88-108-823-080	0E	C-RES,U 82K-1/16W J	USFD	CX-NAJ500
X	TAPE DECK	R 0406	88-108-823-080	0E	C-RES,U 82K-1/16W J	USFD	CX-NAJ503
X	TAPE DECK	R 0406	88-108-823-080	0E	C-RES,U 82K-1/16W J	EZSFD	CX-NSZ500
X	TAPE DECK	R 0407	88-108-102-080		C-RES,U 1K-1/16W J	LHSFD	CX-NSZ500
X	TAPE DECK	R 0407	88-108-102-080	0E	C-RES,U 1K-1/16W J	USFD	CX-NAJ500
X	TAPE DECK	R 0407	88-108-102-080	0E	C-RES,U 1K-1/16W J	USFD	CX-NAJ503
X	TAPE DECK	R 0407	88-108-102-080	0E	C-RES,U 1K-1/16W J	EZSFD	CX-NSZ500
X	TAPE DECK	R 0408	88-108-102-080		C-RES,U 1K-1/16W J	LHSFD	CX-NSZ500
X	TAPE DECK	R 0408	88-108-102-080	0E	C-RES,U 1K-1/16W J	USFD	CX-NAJ500

PARTS LIST

! = Δ SAFTY PARTS
 C = Components marked

All components used on this model at the production line are shown in this service manual.

However, please note that not all components will be available as spare parts for after-sales service.

Components marked S and O are designated as spare parts for service and will be stocked at the spare parts centers.

Components marked X and R are not designated as spare parts for after sales service, and will not be stocked at the spare parts centers.

K NO. = Only use Japanese.

! C	UNIT NAME	REF NO.	PARTS CODE	K NO.	DESCRIPTION	SUFFIX	MODEL NAME
X	TAPE DECK	R 0408	88-108-102-080	0E	C-RES,U 1K-1/16W J	USFD	CX-NAJ503
X	TAPE DECK	R 0408	88-108-102-080	0E	C-RES,U 1K-1/16W J	EZSFD	CX-NSZ500
X	TAPE DECK	R 0409	88-108-122-080		C-RES,U 1.2K-1/16W J	LHSFD	CX-NSZ500
X	TAPE DECK	R 0409	88-108-122-080	0E	C-RES,U 1.2K-1/16W J	USFD	CX-NAJ500
X	TAPE DECK	R 0409	88-108-122-080	0E	C-RES,U 1.2K-1/16W J	USFD	CX-NAJ503
X	TAPE DECK	R 0409	88-108-122-080	0E	C-RES,U 1.2K-1/16W J	EZSFD	CX-NSZ500
X	TAPE DECK	R 0410	88-108-122-080		C-RES,U 1.2K-1/16W J	LHSFD	CX-NSZ500
X	TAPE DECK	R 0410	88-108-122-080	0E	C-RES,U 1.2K-1/16W J	USFD	CX-NAJ500
X	TAPE DECK	R 0410	88-108-122-080	0E	C-RES,U 1.2K-1/16W J	USFD	CX-NAJ503
X	TAPE DECK	R 0410	88-108-122-080	0E	C-RES,U 1.2K-1/16W J	EZSFD	CX-NSZ500
X	TAPE DECK	R 0411	88-108-153-080		C-RES,U 15K-1/16W J	LHSFD	CX-NSZ500
X	TAPE DECK	R 0411	88-108-153-080	0E	C-RES,U 15K-1/16W J	USFD	CX-NAJ500
X	TAPE DECK	R 0411	88-108-153-080	0E	C-RES,U 15K-1/16W J	USFD	CX-NAJ503
X	TAPE DECK	R 0411	88-108-153-080	0E	C-RES,U 15K-1/16W J	EZSFD	CX-NSZ500
X	TAPE DECK	R 0412	88-108-153-080		C-RES,U 15K-1/16W J	LHSFD	CX-NSZ500
X	TAPE DECK	R 0412	88-108-153-080	0E	C-RES,U 15K-1/16W J	USFD	CX-NAJ500
X	TAPE DECK	R 0412	88-108-153-080	0E	C-RES,U 15K-1/16W J	USFD	CX-NAJ503
X	TAPE DECK	R 0412	88-108-153-080	0E	C-RES,U 15K-1/16W J	EZSFD	CX-NSZ500
X	TAPE DECK	R 0413	88-108-222-080		C-RES,U 2.2K-1/16W J	LHSFD	CX-NSZ500
X	TAPE DECK	R 0413	88-108-222-080	0E	C-RES,U 2.2K-1/16W J	USFD	CX-NAJ500
X	TAPE DECK	R 0413	88-108-222-080	0E	C-RES,U 2.2K-1/16W J	USFD	CX-NAJ503
X	TAPE DECK	R 0413	88-108-222-080	0E	C-RES,U 2.2K-1/16W J	EZSFD	CX-NSZ500
X	TAPE DECK	R 0414	88-108-222-080		C-RES,U 2.2K-1/16W J	LHSFD	CX-NSZ500
X	TAPE DECK	R 0414	88-108-222-080	0E	C-RES,U 2.2K-1/16W J	USFD	CX-NAJ500
X	TAPE DECK	R 0414	88-108-222-080	0E	C-RES,U 2.2K-1/16W J	USFD	CX-NAJ503
X	TAPE DECK	R 0414	88-108-222-080	0E	C-RES,U 2.2K-1/16W J	EZSFD	CX-NSZ500
X	TAPE DECK	R 0415	88-108-681-080		C-RES,U 680-1/16W J	LHSFD	CX-NSZ500
X	TAPE DECK	R 0415	88-108-681-080	0E	C-RES,U 680-1/16W J	USFD	CX-NAJ500
X	TAPE DECK	R 0415	88-108-681-080	0E	C-RES,U 680-1/16W J	USFD	CX-NAJ503
X	TAPE DECK	R 0415	88-108-681-080	0E	C-RES,U 680-1/16W J	EZSFD	CX-NSZ500
X	TAPE DECK	R 0416	88-108-681-080		C-RES,U 680-1/16W J	LHSFD	CX-NSZ500
X	TAPE DECK	R 0416	88-108-681-080	0E	C-RES,U 680-1/16W J	USFD	CX-NAJ500
X	TAPE DECK	R 0416	88-108-681-080	0E	C-RES,U 680-1/16W J	USFD	CX-NAJ503
X	TAPE DECK	R 0416	88-108-681-080	0E	C-RES,U 680-1/16W J	EZSFD	CX-NSZ500
X	TAPE DECK	R 0417	88-108-103-080		C-RES,U 10K-1/16W J	LHSFD	CX-NSZ500
X	TAPE DECK	R 0417	88-108-103-080	0E	C-RES,U 10K-1/16W J	USFD	CX-NAJ500
X	TAPE DECK	R 0417	88-108-103-080	0E	C-RES,U 10K-1/16W J	USFD	CX-NAJ503
X	TAPE DECK	R 0417	88-108-103-080	0E	C-RES,U 10K-1/16W J	EZSFD	CX-NSZ500
X	TAPE DECK	R 0418	88-108-103-080		C-RES,U 10K-1/16W J	LHSFD	CX-NSZ500
X	TAPE DECK	R 0418	88-108-103-080	0E	C-RES,U 10K-1/16W J	USFD	CX-NAJ500
X	TAPE DECK	R 0418	88-108-103-080	0E	C-RES,U 10K-1/16W J	USFD	CX-NAJ503
X	TAPE DECK	R 0418	88-108-103-080	0E	C-RES,U 10K-1/16W J	EZSFD	CX-NSZ500
X	TAPE DECK	R 0419	88-108-222-080		C-RES,U 2.2K-1/16W J	LHSFD	CX-NSZ500
X	TAPE DECK	R 0419	88-108-222-080	0E	C-RES,U 2.2K-1/16W J	USFD	CX-NAJ500
X	TAPE DECK	R 0419	88-108-222-080	0E	C-RES,U 2.2K-1/16W J	USFD	CX-NAJ503
X	TAPE DECK	R 0419	88-108-222-080	0E	C-RES,U 2.2K-1/16W J	EZSFD	CX-NSZ500
X	TAPE DECK	R 0420	88-108-222-080		C-RES,U 2.2K-1/16W J	LHSFD	CX-NSZ500
X	TAPE DECK	R 0420	88-108-222-080	0E	C-RES,U 2.2K-1/16W J	USFD	CX-NAJ500
X	TAPE DECK	R 0420	88-108-222-080	0E	C-RES,U 2.2K-1/16W J	USFD	CX-NAJ503
X	TAPE DECK	R 0420	88-108-222-080	0E	C-RES,U 2.2K-1/16W J	EZSFD	CX-NSZ500
X	TAPE DECK	R 0421	88-108-223-080		C-RES,U 22K-1/16W J	LHSFD	CX-NSZ500
X	TAPE DECK	R 0421	88-108-223-080	0E	C-RES,U 22K-1/16W J	USFD	CX-NAJ500
X	TAPE DECK	R 0421	88-108-223-080	0E	C-RES,U 22K-1/16W J	USFD	CX-NAJ503
X	TAPE DECK	R 0421	88-108-223-080	0E	C-RES,U 22K-1/16W J	EZSFD	CX-NSZ500
X	TAPE DECK	R 0422	88-108-223-080		C-RES,U 22K-1/16W J	LHSFD	CX-NSZ500
X	TAPE DECK	R 0422	88-108-223-080	0E	C-RES,U 22K-1/16W J	USFD	CX-NAJ500
X	TAPE DECK	R 0422	88-108-223-080	0E	C-RES,U 22K-1/16W J	USFD	CX-NAJ503
X	TAPE DECK	R 0422	88-108-223-080	0E	C-RES,U 22K-1/16W J	EZSFD	CX-NSZ500
X	TAPE DECK	R 0423	88-108-183-080		C-RES,U 18K-1/16W J	LHSFD	CX-NSZ500
X	TAPE DECK	R 0423	88-108-183-080	0E	C-RES,U 18K-1/16W J	USFD	CX-NAJ500
X	TAPE DECK	R 0423	88-108-183-080	0E	C-RES,U 18K-1/16W J	USFD	CX-NAJ503
X	TAPE DECK	R 0423	88-108-183-080	0E	C-RES,U 18K-1/16W J	EZSFD	CX-NSZ500
X	TAPE DECK	R 0424	88-108-183-080		C-RES,U 18K-1/16W J	LHSFD	CX-NSZ500
X	TAPE DECK	R 0424	88-108-183-080	0E	C-RES,U 18K-1/16W J	USFD	CX-NAJ500
X	TAPE DECK	R 0424	88-108-183-080	0E	C-RES,U 18K-1/16W J	USFD	CX-NAJ503
X	TAPE DECK	R 0424	88-108-183-080	0E	C-RES,U 18K-1/16W J	EZSFD	CX-NSZ500
X	TAPE DECK	R 0453	88-118-152-080		C-RES,S 1.5K-1/10W J	LHSFD	CX-NSZ500
X	TAPE DECK	R 0453	88-118-152-080	0E	C-RES,S 1.5K-1/10W J	USFD	CX-NAJ500
X	TAPE DECK	R 0453	88-118-152-080	0E	C-RES,S 1.5K-1/10W J	USFD	CX-NAJ503
X	TAPE DECK	R 0453	88-118-152-080	0E	C-RES,S 1.5K-1/10W J	EZSFD	CX-NSZ500

PARTS LIST

! = Δ SAFTY PARTS
 C = Components marked

All components used on this model at the production line are shown in this service manual.

However, please note that not all components will be available as spare parts for after-sales service.

Components marked S and O are designated as spare parts for service and will be stocked at the spare parts centers.

Components marked X and R are not designated as spare parts for after sales service, and will not be stocked at the spare parts centers.

K NO. = Only use Japanese.

! C	UNIT NAME	REF NO.	PARTS CODE	K NO.	DESCRIPTION	SUFFIX	MODEL NAME
X	TAPE DECK	R 0454	88-128-829-080		C-RES, 8.2-1/8W J	LHSFD	CX-NSZ500
X	TAPE DECK	R 0454	88-128-829-080	0E	C-RES, 8.2-1/8W J	USFD	CX-NAJ500
X	TAPE DECK	R 0454	88-128-829-080	0E	C-RES, 8.2-1/8W J	USFD	CX-NAJ503
X	TAPE DECK	R 0454	88-128-829-080	0E	C-RES, 8.2-1/8W J	EZSFD	CX-NSZ500
X	TAPE DECK	R 0455	88-108-183-080		C-RES,U 18K-1/16W J	LHSFD	CX-NSZ500
X	TAPE DECK	R 0455	88-108-183-080	0E	C-RES,U 18K-1/16W J	USFD	CX-NAJ500
X	TAPE DECK	R 0455	88-108-183-080	0E	C-RES,U 18K-1/16W J	USFD	CX-NAJ503
X	TAPE DECK	R 0455	88-108-183-080	0E	C-RES,U 18K-1/16W J	EZSFD	CX-NSZ500
X	TAPE DECK	R 0456	88-108-183-080		C-RES,U 18K-1/16W J	LHSFD	CX-NSZ500
X	TAPE DECK	R 0456	88-108-183-080	0E	C-RES,U 18K-1/16W J	USFD	CX-NAJ500
X	TAPE DECK	R 0456	88-108-183-080	0E	C-RES,U 18K-1/16W J	USFD	CX-NAJ503
X	TAPE DECK	R 0456	88-108-183-080	0E	C-RES,U 18K-1/16W J	EZSFD	CX-NSZ500
X	TAPE DECK	R 0457	88-130-150-080		RES,15-1/4W J	LHSFD	CX-NSZ500
X	TAPE DECK	R 0457	88-130-150-080	0E	RES,15-1/4W J	USFD	CX-NAJ500
X	TAPE DECK	R 0457	88-130-150-080	0E	RES,15-1/4W J	USFD	CX-NAJ503
X	TAPE DECK	R 0457	88-130-150-080	0E	RES,15-1/4W J	EZSFD	CX-NSZ500
X	TAPE DECK	R 0458	88-121-104-080		RES,100K-1/8W J	LHSFD	CX-NSZ500
X	TAPE DECK	R 0458	88-121-104-080	0E	RES,100K-1/8W J	USFD	CX-NAJ500
X	TAPE DECK	R 0458	88-121-104-080	0E	RES,100K-1/8W J	USFD	CX-NAJ503
X	TAPE DECK	R 0458	88-121-104-080	0E	RES,100K-1/8W J	EZSFD	CX-NSZ500
X	TAPE DECK	R 0459	88-128-150-080		C-RES, 15-1/8W J	LHSFD	CX-NSZ500
X	TAPE DECK	R 0459	88-128-150-080	0E	C-RES, 15-1/8W J	USFD	CX-NAJ500
X	TAPE DECK	R 0459	88-128-150-080	0E	C-RES, 15-1/8W J	USFD	CX-NAJ503
X	TAPE DECK	R 0459	88-128-150-080	0E	C-RES, 15-1/8W J	EZSFD	CX-NSZ500
X	TAPE DECK	R 0460	88-130-479-080		RES,4.7-1/4W J	LHSFD	CX-NSZ500
X	TAPE DECK	R 0460	88-130-479-080	0E	RES,4.7-1/4W J	USFD	CX-NAJ500
X	TAPE DECK	R 0460	88-130-479-080	0E	RES,4.7-1/4W J	USFD	CX-NAJ503
X	TAPE DECK	R 0460	88-130-479-080	0E	RES,4.7-1/4W J	EZSFD	CX-NSZ500
X	TAPE DECK	R 0461	88-108-103-080	0E	C-RES,U 10K-1/16W J	EZSFD	CX-NSZ500
X	TAPE DECK	R 0462	88-108-471-080	0E	C-RES,U 470-1/16W J	EZSFD	CX-NSZ500
O	TAPE DECK	SFR0451	87-024-355-080		SFR,33K H EVN DJAA03	LHSFD	CX-NSZ500
O	TAPE DECK	SFR0451	87-024-355-080	0E	SFR,33K H EVN DJAA03	USFD	CX-NAJ500
O	TAPE DECK	SFR0451	87-024-355-080	0E	SFR,33K H EVN DJAA03	USFD	CX-NAJ503
O	TAPE DECK	SFR0451	87-024-355-080	0E	SFR,33K H EVN DJAA03	EZSFD	CX-NSZ500
O	TAPE DECK	SFR0452	87-024-355-080		SFR,33K H EVN DJAA03	LHSFD	CX-NSZ500
O	TAPE DECK	SFR0452	87-024-355-080	0E	SFR,33K H EVN DJAA03	USFD	CX-NAJ500
O	TAPE DECK	SFR0452	87-024-355-080	0E	SFR,33K H EVN DJAA03	USFD	CX-NAJ503
O	TAPE DECK	SFR0452	87-024-355-080	0E	SFR,33K H EVN DJAA03	EZSFD	CX-NSZ500
O	TUNER(FM FE)	C 0901	87-018-145-080		CAP,TC U 6.8P-50 K CH UP050	LHSFD	CX-NSZ500
O	TUNER(FM FE)	C 0901	87-018-145-080	0E	CAP,TC U 6.8P-50 K CH UP050	USFD	CX-NAJ500
O	TUNER(FM FE)	C 0901	87-018-145-080	0E	CAP,TC U 6.8P-50 K CH UP050	USFD	CX-NAJ503
O	TUNER(FM FE)	C 0904	87-012-286-080		C-CAP,U 0.01-25 K B	LHSFD	CX-NSZ500
O	TUNER(FM FE)	C 0904	87-012-286-080	0E	C-CAP,U 0.01-25 K B	USFD	CX-NAJ500
O	TUNER(FM FE)	C 0904	87-012-286-080	0E	C-CAP,U 0.01-25 K B	USFD	CX-NAJ503
O	TUNER(FM FE)	C 0905	87-012-286-080		C-CAP,U 0.01-25 K B	LHSFD	CX-NSZ500
O	TUNER(FM FE)	C 0905	87-012-286-080	0E	C-CAP,U 0.01-25 K B	USFD	CX-NAJ500
O	TUNER(FM FE)	C 0905	87-012-286-080	0E	C-CAP,U 0.01-25 K B	USFD	CX-NAJ503
O	TUNER(FM FE)	C 0907	87-012-286-080		C-CAP,U 0.01-25 K B	LHSFD	CX-NSZ500
O	TUNER(FM FE)	C 0907	87-012-286-080	0E	C-CAP,U 0.01-25 K B	USFD	CX-NAJ500
O	TUNER(FM FE)	C 0907	87-012-286-080	0E	C-CAP,U 0.01-25 K B	USFD	CX-NAJ503
O	TUNER(FM FE)	C 0908	87-A10-915-080		C-CAP,U 1000P-25 J CH	LHSFD	CX-NSZ500
O	TUNER(FM FE)	C 0908	87-A10-915-080	0E	C-CAP,U 1000P-25 J CH	USFD	CX-NAJ500
O	TUNER(FM FE)	C 0908	87-A10-915-080	0E	C-CAP,U 1000P-25 J CH	USFD	CX-NAJ503
O	TUNER(FM FE)	C 0909	87-012-286-080		C-CAP,U 0.01-25 K B	LHSFD	CX-NSZ500
O	TUNER(FM FE)	C 0909	87-012-286-080	0E	C-CAP,U 0.01-25 K B	USFD	CX-NAJ500
O	TUNER(FM FE)	C 0909	87-012-286-080	0E	C-CAP,U 0.01-25 K B	USFD	CX-NAJ503
O	TUNER(FM FE)	C 0910	87-012-174-080		C-CAP,U 12P-50 J CH	LHSFD	CX-NSZ500
O	TUNER(FM FE)	C 0910	87-012-174-080	0E	C-CAP,U 12P-50 J CH	USFD	CX-NAJ500
O	TUNER(FM FE)	C 0910	87-012-174-080	0E	C-CAP,U 12P-50 J CH	USFD	CX-NAJ503
O	TUNER(FM FE)	C 0911	87-012-170-080		C-CAP,U 8P-50 D CH	LHSFD	CX-NSZ500
O	TUNER(FM FE)	C 0911	87-012-170-080	0E	C-CAP,U 8P-50 D CH	USFD	CX-NAJ500
O	TUNER(FM FE)	C 0911	87-012-170-080	0E	C-CAP,U 8P-50 D CH	USFD	CX-NAJ503
O	TUNER(FM FE)	C 0912	87-012-195-080		C-CAP,U 100P-50 J CH	LHSFD	CX-NSZ500
O	TUNER(FM FE)	C 0912	87-012-195-080	0E	C-CAP,U 100P-50 J CH	USFD	CX-NAJ500
O	TUNER(FM FE)	C 0912	87-012-195-080	0E	C-CAP,U 100P-50 J CH	USFD	CX-NAJ503
O	TUNER(FM FE)	C 0913	87-012-286-080		C-CAP,U 0.01-25 K B	LHSFD	CX-NSZ500
O	TUNER(FM FE)	C 0913	87-012-286-080	0E	C-CAP,U 0.01-25 K B	USFD	CX-NAJ500
O	TUNER(FM FE)	C 0913	87-012-286-080	0E	C-CAP,U 0.01-25 K B	USFD	CX-NAJ503
O	TUNER(FM FE)	C 0914	87-012-166-080		C-CAP,U 4P-50 C CH	LHSFD	CX-NSZ500
O	TUNER(FM FE)	C 0914	87-012-166-080	0E	C-CAP,U 4P-50 C CH	USFD	CX-NAJ500

PARTS LIST

! = Δ SAFTY PARTS
 C = Components marked

All components used on this model at the production line are shown in this service manual.

However, please note that not all components will be available as spare parts for after-sales service.

Components marked S and O are designated as spare parts for service and will be stocked at the spare parts centers.

Components marked X and R are not designated as spare parts for after sales service, and will not be stocked at the spare parts centers.

K NO. = Only use Japanese.

! C	UNIT NAME	REF NO.	PARTS CODE	K NO.	DESCRIPTION	SUFFIX	MODEL NAME
O	TUNER (FM FE)	C 0914	87-012-166-080	0E	C-CAP,U 4P-50 C CH	USFD	CX-NAJ503
O	TUNER (FM FE)	C 0915	87-012-174-080		C-CAP,U 12P-50 J CH	LHSFD	CX-NSZ500
O	TUNER (FM FE)	C 0915	87-012-174-080	0E	C-CAP,U 12P-50 J CH	USFD	CX-NAJ500
O	TUNER (FM FE)	C 0915	87-012-174-080	0E	C-CAP,U 12P-50 J CH	USFD	CX-NAJ503
O	TUNER (FM FE)	C 0916	87-012-180-080		C-CAP,U 22P-50 J CH	LHSFD	CX-NSZ500
O	TUNER (FM FE)	C 0916	87-012-180-080	0E	C-CAP,U 22P-50 J CH	USFD	CX-NAJ500
O	TUNER (FM FE)	C 0916	87-012-180-080	0E	C-CAP,U 22P-50 J CH	USFD	CX-NAJ503
O	TUNER (FM FE)	C 0917	87-012-186-080		C-CAP,U 39P-50 J CH	LHSFD	CX-NSZ500
O	TUNER (FM FE)	C 0917	87-012-186-080	0E	C-CAP,U 39P-50 J CH	USFD	CX-NAJ500
O	TUNER (FM FE)	C 0917	87-012-186-080	0E	C-CAP,U 39P-50 J CH	USFD	CX-NAJ503
O	TUNER (FM FE)	C 0918	87-A10-039-080		C-CAP,U 470P-50 J CH	LHSFD	CX-NSZ500
O	TUNER (FM FE)	C 0918	87-A10-039-080	0E	C-CAP,U 470P-50 J CH	USFD	CX-NAJ500
O	TUNER (FM FE)	C 0918	87-A10-039-080	0E	C-CAP,U 470P-50 J CH	USFD	CX-NAJ503
O	TUNER (FM FE)	C 0921	87-012-195-080		C-CAP,U 100P-50 J CH	LHSFD	CX-NSZ500
O	TUNER (FM FE)	C 0921	87-012-195-080	0E	C-CAP,U 100P-50 J CH	USFD	CX-NAJ500
O	TUNER (FM FE)	C 0921	87-012-195-080	0E	C-CAP,U 100P-50 J CH	USFD	CX-NAJ503
O	TUNER (FM FE)	C 0922	87-012-174-080		C-CAP,U 12P-50 J CH	LHSFD	CX-NSZ500
O	TUNER (FM FE)	C 0922	87-012-174-080	0E	C-CAP,U 12P-50 J CH	USFD	CX-NAJ500
O	TUNER (FM FE)	C 0922	87-012-174-080	0E	C-CAP,U 12P-50 J CH	USFD	CX-NAJ503
O	TUNER (FM FE)	D 0902	87-A40-128-080		C-VARI-CAP, HVU202A	LHSFD	CX-NSZ500
O	TUNER (FM FE)	D 0902	87-A40-128-080	0E	C-VARI-CAP, HVU202A	USFD	CX-NAJ500
O	TUNER (FM FE)	D 0903	87-A40-128-080		C-VARI-CAP, HVU202A	LHSFD	CX-NSZ500
O	TUNER (FM FE)	D 0903	87-A40-128-080	0E	C-VARI-CAP, HVU202A	USFD	CX-NAJ500
O	TUNER (FM FE)	D 0903	87-A40-128-080	0E	C-VARI-CAP, HVU202A	USFD	CX-NAJ503
O	TUNER (FM FE)	L 0902	88-ZA1-602-110		COIL, FM-RF-U2 2G	LHSFD	CX-NSZ500
O	TUNER (FM FE)	L 0902	88-ZA1-602-110	0E	COIL, FM-RF-U2 2G	USFD	CX-NAJ500
O	TUNER (FM FE)	L 0902	88-ZA1-602-110	0E	COIL, FM-RF-U2 2G	USFD	CX-NAJ503
O	TUNER (FM FE)	L 0903	88-ZA1-601-010		COIL, FM-RF-U1 2G	LHSFD	CX-NSZ500
O	TUNER (FM FE)	L 0903	88-ZA1-601-010	0E	COIL, FM-RF-U1 2G	USFD	CX-NAJ500
O	TUNER (FM FE)	L 0903	88-ZA1-601-010	0E	COIL, FM-RF-U1 2G	USFD	CX-NAJ503
O	TUNER (FM FE)	L 0904	87-005-847-080		COIL, 2.2UH K CECS	LHSFD	CX-NSZ500
O	TUNER (FM FE)	L 0904	87-005-847-080	0E	COIL, 2.2UH K CECS	USFD	CX-NAJ500
O	TUNER (FM FE)	L 0904	87-005-847-080	0E	COIL, 2.2UH K CECS	USFD	CX-NAJ503
O	TUNER (FM FE)	L 0905	88-ZA1-624-010		COIL, FM IFT 7-6.2 (COILS)	LHSFD	CX-NSZ500
O	TUNER (FM FE)	L 0905	88-ZA1-624-010	0E	COIL, FM IFT 7-6.2 (COILS)	USFD	CX-NAJ500
O	TUNER (FM FE)	L 0905	88-ZA1-624-010	0E	COIL, FM IFT 7-6.2 (COILS)	USFD	CX-NAJ503
O	TUNER (FM FE)	L 0906	88-ZA1-603-010		COIL, FM-OSC-U 2G	LHSFD	CX-NSZ500
O	TUNER (FM FE)	L 0906	88-ZA1-603-010	0E	COIL, FM-OSC-U 2G	USFD	CX-NAJ500
O	TUNER (FM FE)	L 0906	88-ZA1-603-010	0E	COIL, FM-OSC-U 2G	USFD	CX-NAJ503
S	TUNER (FM FE)	Q 0901	89-503-602-080		C-FET, 2SK360E	LHSFD	CX-NSZ500
S	TUNER (FM FE)	Q 0901	89-503-602-080	1A	C-FET, 2SK360E	USFD	CX-NAJ500
S	TUNER (FM FE)	Q 0901	89-503-602-080	1A	C-FET, 2SK360E	USFD	CX-NAJ503
S	TUNER (FM FE)	Q 0902	89-327-143-080		C-TR, 2SC27140	LHSFD	CX-NSZ500
S	TUNER (FM FE)	Q 0902	89-327-143-080	0E	C-TR, 2SC27140	USFD	CX-NAJ500
S	TUNER (FM FE)	Q 0902	89-327-143-080	0E	C-TR, 2SC27140	USFD	CX-NAJ503
S	TUNER (FM FE)	Q 0903	89-327-143-080		C-TR, 2SC27140	LHSFD	CX-NSZ500
S	TUNER (FM FE)	Q 0903	89-327-143-080	0E	C-TR, 2SC27140	USFD	CX-NAJ500
S	TUNER (FM FE)	Q 0903	89-327-143-080	0E	C-TR, 2SC27140	USFD	CX-NAJ503
X	TUNER (FM FE)	R 0903	88-108-471-080		C-RES,U 470-1/16W J	LHSFD	CX-NSZ500
X	TUNER (FM FE)	R 0903	88-108-471-080	0E	C-RES,U 470-1/16W J	USFD	CX-NAJ500
X	TUNER (FM FE)	R 0903	88-108-471-080	0E	C-RES,U 470-1/16W J	USFD	CX-NAJ503
X	TUNER (FM FE)	R 0904	88-108-473-080		C-RES,U 47K-1/16W J	LHSFD	CX-NSZ500
X	TUNER (FM FE)	R 0904	88-108-473-080	0E	C-RES,U 47K-1/16W J	USFD	CX-NAJ500
X	TUNER (FM FE)	R 0904	88-108-473-080	0E	C-RES,U 47K-1/16W J	USFD	CX-NAJ503
X	TUNER (FM FE)	R 0905	88-108-564-080		C-RES,U 560K-1/16W J	LHSFD	CX-NSZ500
X	TUNER (FM FE)	R 0905	88-108-564-080	0E	C-RES,U 560K-1/16W J	USFD	CX-NAJ500
X	TUNER (FM FE)	R 0905	88-108-564-080	0E	C-RES,U 560K-1/16W J	USFD	CX-NAJ503
X	TUNER (FM FE)	R 0907	88-108-472-080		C-RES,U 4.7K-1/16W J	LHSFD	CX-NSZ500
X	TUNER (FM FE)	R 0907	88-108-472-080	0E	C-RES,U 4.7K-1/16W J	USFD	CX-NAJ500
X	TUNER (FM FE)	R 0907	88-108-472-080	0E	C-RES,U 4.7K-1/16W J	USFD	CX-NAJ503
X	TUNER (FM FE)	R 0908	88-108-121-080		C-RES,U 120-1/16W J	LHSFD	CX-NSZ500
X	TUNER (FM FE)	R 0908	88-108-121-080	0E	C-RES,U 120-1/16W J	USFD	CX-NAJ500
X	TUNER (FM FE)	R 0908	88-108-121-080	0E	C-RES,U 120-1/16W J	USFD	CX-NAJ503
X	TUNER (FM FE)	R 0909	88-108-473-080		C-RES,U 47K-1/16W J	LHSFD	CX-NSZ500
X	TUNER (FM FE)	R 0909	88-108-473-080	0E	C-RES,U 47K-1/16W J	USFD	CX-NAJ500
X	TUNER (FM FE)	R 0909	88-108-473-080	0E	C-RES,U 47K-1/16W J	USFD	CX-NAJ503
X	TUNER (FM FE)	R 0910	88-108-822-080		C-RES,U 8.2K-1/16W J	LHSFD	CX-NSZ500
X	TUNER (FM FE)	R 0910	88-108-822-080	0E	C-RES,U 8.2K-1/16W J	USFD	CX-NAJ500
X	TUNER (FM FE)	R 0910	88-108-822-080	0E	C-RES,U 8.2K-1/16W J	USFD	CX-NAJ503

PARTS LIST

! = Δ SAFTY PARTS
 C = Components marked

All components used on this model at the production line are shown in this service manual.

However, please note that not all components will be available as spare parts for after-sales service.

Components marked S and O are designated as spare parts for service and will be stocked at the spare parts centers.

Components marked X and R are not designated as spare parts for after sales service, and will not be stocked at the spare parts centers.

K NO. = Only use Japanese.

! C	UNIT NAME	REF NO.	PARTS CODE	K NO.	DESCRIPTION	SUFFIX	MODEL NAME
X	TUNER (FM FE)	R 0911	88-108-101-080		C-RES,U 100-1/16W J	LHSFD	CX-NSZ500
X	TUNER (FM FE)	R 0911	88-108-101-080	0E	C-RES,U 100-1/16W J	USFD	CX-NAJ500
X	TUNER (FM FE)	R 0911	88-108-101-080	0E	C-RES,U 100-1/16W J	USFD	CX-NAJ503
X	TUNER (FM FE)	SH 0901	88-ZA1-605-010		SHLD-CASE,IFT CAP-CASE	LHSFD	CX-NSZ500
X	TUNER (FM FE)	SH 0901	88-ZA1-605-010	--	SHLD-CASE,IFT CAP-CASE	USFD	CX-NAJ500
X	TUNER (FM FE)	SH 0901	88-ZA1-605-010	--	SHLD-CASE,IFT CAP-CASE	USFD	CX-NAJ503
O	TUNER (IF)	C 0771	87-A12-062-080		CAP,E 100-10 SMG	LHSFD	CX-NSZ500
O	TUNER (IF)	C 0771	87-A12-062-080	0E	CAP,E 100-10 SMG	USFD	CX-NAJ500
O	TUNER (IF)	C 0771	87-A12-062-080	0E	CAP,E 100-10 SMG	USFD	CX-NAJ503
O	TUNER (IF)	C 0771	87-A12-062-080	0E	CAP,E 100-10 SMG	EZSFD	CX-NSZ500
O	TUNER (IF)	C 0772	87-012-286-080		C-CAP,U 0.01-25 K B	LHSFD	CX-NSZ500
O	TUNER (IF)	C 0772	87-012-286-080	0E	C-CAP,U 0.01-25 K B	USFD	CX-NAJ500
O	TUNER (IF)	C 0772	87-012-286-080	0E	C-CAP,U 0.01-25 K B	USFD	CX-NAJ503
O	TUNER (IF)	C 0772	87-012-286-080	0E	C-CAP,U 0.01-25 K B	EZSFD	CX-NSZ500
O	TUNER (IF)	C 0779	87-010-949-080	0E	C-CAP,S 0.01-50 J B	EZSFD	CX-NSZ500
O	TUNER (IF)	C 0780	87-010-949-080	0E	C-CAP,S 0.01-50 J B	EZSFD	CX-NSZ500
X	TUNER (IF)	C 0781	88-108-000-080		C-JUMPER,U	LHSFD	CX-NSZ500
X	TUNER (IF)	C 0781	88-108-000-080	0E	C-JUMPER,U	USFD	CX-NAJ500
X	TUNER (IF)	C 0781	88-108-000-080	0E	C-JUMPER,U	USFD	CX-NAJ503
X	TUNER (IF)	C 0781	88-108-000-080	0E	C-JUMPER,U	EZSFD	CX-NSZ500
O	TUNER (IF)	C 0782	87-012-286-080		C-CAP,U 0.01-25 K B	LHSFD	CX-NSZ500
O	TUNER (IF)	C 0782	87-012-286-080	0E	C-CAP,U 0.01-25 K B	USFD	CX-NAJ500
O	TUNER (IF)	C 0782	87-012-286-080	0E	C-CAP,U 0.01-25 K B	USFD	CX-NAJ503
O	TUNER (IF)	C 0782	87-012-286-080	0E	C-CAP,U 0.01-25 K B	EZSFD	CX-NSZ500
O	TUNER (IF)	C 0783	87-012-286-080		C-CAP,U 0.01-25 K B	LHSFD	CX-NSZ500
O	TUNER (IF)	C 0783	87-012-286-080	0E	C-CAP,U 0.01-25 K B	USFD	CX-NAJ500
O	TUNER (IF)	C 0783	87-012-286-080	0E	C-CAP,U 0.01-25 K B	USFD	CX-NAJ503
O	TUNER (IF)	C 0783	87-012-286-080	0E	C-CAP,U 0.01-25 K B	EZSFD	CX-NSZ500
O	TUNER (IF)	C 0784	87-012-286-080		C-CAP,U 0.01-25 K B	LHSFD	CX-NSZ500
O	TUNER (IF)	C 0784	87-012-286-080	0E	C-CAP,U 0.01-25 K B	USFD	CX-NAJ500
O	TUNER (IF)	C 0784	87-012-286-080	0E	C-CAP,U 0.01-25 K B	EZSFD	CX-NAJ503
O	TUNER (IF)	C 0785	87-012-286-080	0E	C-CAP,U 0.01-25 K B	USFD	CX-NAJ500
O	TUNER (IF)	C 0785	87-012-286-080	0E	C-CAP,U 0.01-25 K B	USFD	CX-NAJ503
O	TUNER (IF)	C 0785	87-012-286-080	0E	C-CAP,U 0.01-25 K B	EZSFD	CX-NSZ500
O	TUNER (IF)	C 0786	87-012-286-080		C-CAP,U 0.01-25 K B	LHSFD	CX-NSZ500
O	TUNER (IF)	C 0786	87-012-286-080	0E	C-CAP,U 0.01-25 K B	USFD	CX-NAJ500
O	TUNER (IF)	C 0786	87-012-286-080	0E	C-CAP,U 0.01-25 K B	USFD	CX-NAJ503
O	TUNER (IF)	C 0786	87-012-286-080	0E	C-CAP,U 0.01-25 K B	EZSFD	CX-NSZ500
O	TUNER (IF)	C 0788	87-012-167-080		C-CAP,U 5P-50 C CH	LHSFD	CX-NSZ500
O	TUNER (IF)	C 0788	87-012-167-080	0E	C-CAP,U 5P-50 C CH	USFD	CX-NAJ500
O	TUNER (IF)	C 0788	87-012-167-080	0E	C-CAP,U 5P-50 C CH	USFD	CX-NAJ503
O	TUNER (IF)	C 0788	87-012-167-080	0E	C-CAP,U 5P-50 C CH	EZSFD	CX-NSZ500
O	TUNER (IF)	C 0789	87-016-118-080	0E	C-CAP,U 0.022-25 J B GRM	EZSFD	CX-NSZ500
O	TUNER (IF)	C 0789	87-A12-052-080		C-CAP,S 0.033-25 J B	LHSFD	CX-NSZ500
O	TUNER (IF)	C 0789	87-A12-052-080	0E	C-CAP,S 0.033-25 J B	USFD	CX-NAJ500
O	TUNER (IF)	C 0789	87-A12-052-080	0E	C-CAP,S 0.033-25 J B	USFD	CX-NAJ503
O	TUNER (IF)	C 0790	87-016-118-080	0E	C-CAP,U 0.022-25 J B GRM	EZSFD	CX-NSZ500
O	TUNER (IF)	C 0790	87-A12-052-080		C-CAP,S 0.033-25 J B	LHSFD	CX-NSZ500
O	TUNER (IF)	C 0790	87-A12-052-080	0E	C-CAP,S 0.033-25 J B	USFD	CX-NAJ500
O	TUNER (IF)	C 0791	87-010-831-080		C-CAP,U 0.1-16 Z F	LHSFD	CX-NSZ500
O	TUNER (IF)	C 0791	87-010-831-080	0E	C-CAP,U 0.1-16 Z F	USFD	CX-NAJ500
O	TUNER (IF)	C 0791	87-010-831-080	0E	C-CAP,U 0.1-16 Z F	USFD	CX-NAJ503
O	TUNER (IF)	C 0791	87-010-831-080	0E	C-CAP,U 0.1-16 Z F	EZSFD	CX-NSZ500
O	TUNER (IF)	C 0792	87-012-286-080		C-CAP,U 0.01-25 K B	LHSFD	CX-NSZ500
O	TUNER (IF)	C 0792	87-012-286-080	0E	C-CAP,U 0.01-25 K B	USFD	CX-NAJ500
O	TUNER (IF)	C 0792	87-012-286-080	0E	C-CAP,U 0.01-25 K B	USFD	CX-NAJ503
O	TUNER (IF)	C 0792	87-012-286-080	0E	C-CAP,U 0.01-25 K B	EZSFD	CX-NSZ500
O	TUNER (IF)	C 0793	87-A12-090-080		CAP,E 4.7-50 SMG	LHSFD	CX-NSZ500
O	TUNER (IF)	C 0793	87-A12-090-080	0E	CAP,E 4.7-50 SMG	USFD	CX-NAJ500
O	TUNER (IF)	C 0793	87-A12-090-080	0E	CAP,E 4.7-50 SMG	USFD	CX-NAJ503
O	TUNER (IF)	C 0793	87-A12-090-080	0E	CAP,E 4.7-50 SMG	EZSFD	CX-NSZ500
O	TUNER (IF)	C 0795	87-012-286-080		C-CAP,U 0.01-25 K B	LHSFD	CX-NSZ500
O	TUNER (IF)	C 0795	87-012-286-080	0E	C-CAP,U 0.01-25 K B	USFD	CX-NAJ500
O	TUNER (IF)	C 0795	87-012-286-080	0E	C-CAP,U 0.01-25 K B	USFD	CX-NAJ503
O	TUNER (IF)	C 0795	87-012-286-080	0E	C-CAP,U 0.01-25 K B	EZSFD	CX-NSZ500
O	TUNER (IF)	C 0796	87-012-286-080		C-CAP,U 0.01-25 K B	LHSFD	CX-NSZ500
O	TUNER (IF)	C 0796	87-012-286-080	0E	C-CAP,U 0.01-25 K B	USFD	CX-NAJ500

PARTS LIST

! = Δ SAFTY PARTS
 C = Components marked

All components used on this model at the production line are shown in this service manual.

However, please note that not all components will be available as spare parts for after-sales service.

Components marked S and O are designated as spare parts for service and will be stocked at the spare parts centers.

Components marked X and R are not designated as spare parts for after sales service, and will not be stocked at the spare parts centers.

K NO. = Only use Japanese.

! C	UNIT NAME	REF NO.	PARTS CODE	K NO.	DESCRIPTION	SUFFIX	MODEL NAME
O	TUNER (IF)	C 0796	87-012-286-080	0E	C-CAP,U 0.01-25 K B	USFD	CX-NAJ503
O	TUNER (IF)	C 0796	87-012-286-080	0E	C-CAP,U 0.01-25 K B	EZSFD	CX-NSZ500
O	TUNER (IF)	C 0797	87-A12-091-080		CAP,E 10-50 SMG	LHSFD	CX-NSZ500
O	TUNER (IF)	C 0797	87-A12-091-080	0E	CAP,E 10-50 SMG	USFD	CX-NAJ500
O	TUNER (IF)	C 0797	87-A12-091-080	0E	CAP,E 10-50 SMG	USFD	CX-NAJ503
O	TUNER (IF)	C 0797	87-A12-091-080	0E	CAP,E 10-50 SMG	EZSFD	CX-NSZ500
O	TUNER (IF)	C 0798	87-012-286-080		C-CAP,U 0.01-25 K B	LHSFD	CX-NSZ500
O	TUNER (IF)	C 0798	87-012-286-080	0E	C-CAP,U 0.01-25 K B	USFD	CX-NAJ500
O	TUNER (IF)	C 0798	87-012-286-080	0E	C-CAP,U 0.01-25 K B	USFD	CX-NAJ503
O	TUNER (IF)	C 0798	87-012-286-080	0E	C-CAP,U 0.01-25 K B	EZSFD	CX-NSZ500
O	TUNER (IF)	C 0799	87-A12-093-080		CAP,E 33-50 SMG	LHSFD	CX-NSZ500
O	TUNER (IF)	C 0799	87-A12-093-080	0E	CAP,E 33-50 SMG	USFD	CX-NAJ500
O	TUNER (IF)	C 0799	87-A12-093-080	0E	CAP,E 33-50 SMG	USFD	CX-NAJ503
O	TUNER (IF)	C 0799	87-A12-093-080	0E	CAP,E 33-50 SMG	EZSFD	CX-NSZ500
O	TUNER (IF)	C 0800	87-010-829-080		C-CAP,U 0.047-16 Z F	LHSFD	CX-NSZ500
O	TUNER (IF)	C 0800	87-010-829-080	0E	C-CAP,U 0.047-16 Z F	USFD	CX-NAJ500
O	TUNER (IF)	C 0800	87-010-829-080	0E	C-CAP,U 0.047-16 Z F	USFD	CX-NAJ503
O	TUNER (IF)	C 0800	87-010-829-080	0E	C-CAP,U 0.047-16 Z F	EZSFD	CX-NSZ500
O	TUNER (IF)	C 0801	87-A12-089-080		CAP,E 3.3-50 SMG	LHSFD	CX-NSZ500
O	TUNER (IF)	C 0801	87-A12-089-080	0E	CAP,E 3.3-50 SMG	USFD	CX-NAJ500
O	TUNER (IF)	C 0801	87-A12-089-080	0E	CAP,E 3.3-50 SMG	USFD	CX-NAJ503
O	TUNER (IF)	C 0801	87-A12-089-080	0E	CAP,E 3.3-50 SMG	EZSFD	CX-NSZ500
O	TUNER (IF)	C 0802	87-010-829-080		C-CAP,U 0.047-16 Z F	LHSFD	CX-NSZ500
O	TUNER (IF)	C 0802	87-010-829-080	0E	C-CAP,U 0.047-16 Z F	USFD	CX-NAJ500
O	TUNER (IF)	C 0802	87-010-829-080	0E	C-CAP,U 0.047-16 Z F	USFD	CX-NAJ503
O	TUNER (IF)	C 0802	87-010-829-080	0E	C-CAP,U 0.047-16 Z F	EZSFD	CX-NSZ500
O	TUNER (IF)	C 0803	87-010-787-080		C-CAP,U 0.022-25 K B	LHSFD	CX-NSZ500
O	TUNER (IF)	C 0803	87-010-787-080	0E	C-CAP,U 0.022-25 K B	USFD	CX-NAJ500
O	TUNER (IF)	C 0803	87-010-787-080	0E	C-CAP,U 0.022-25 K B	USFD	CX-NAJ503
O	TUNER (IF)	C 0803	87-010-787-080	0E	C-CAP,U 0.022-25 K B	EZSFD	CX-NSZ500
O	TUNER (IF)	C 0804	87-A12-062-080		CAP,E 100-10 SMG	LHSFD	CX-NSZ500
O	TUNER (IF)	C 0804	87-A12-062-080	0E	CAP,E 100-10 SMG	USFD	CX-NAJ500
O	TUNER (IF)	C 0804	87-A12-062-080	0E	CAP,E 100-10 SMG	USFD	CX-NAJ503
O	TUNER (IF)	C 0804	87-A12-062-080	0E	CAP,E 100-10 SMG	EZSFD	CX-NSZ500
O	TUNER (IF)	C 0807	87-A12-086-080		CAP,E 0.47-50 SMG	LHSFD	CX-NSZ500
O	TUNER (IF)	C 0807	87-A12-086-080	0E	CAP,E 0.47-50 SMG	USFD	CX-NAJ500
O	TUNER (IF)	C 0807	87-A12-086-080	0E	CAP,E 0.47-50 SMG	USFD	CX-NAJ503
O	TUNER (IF)	C 0807	87-A12-086-080	0E	CAP,E 0.47-50 SMG	EZSFD	CX-NSZ500
O	TUNER (IF)	C 0808	87-A12-087-080		CAP,E 1-50 SMG	LHSFD	CX-NSZ500
O	TUNER (IF)	C 0808	87-A12-087-080	0E	CAP,E 1-50 SMG	USFD	CX-NAJ500
O	TUNER (IF)	C 0808	87-A12-087-080	0E	CAP,E 1-50 SMG	USFD	CX-NAJ503
O	TUNER (IF)	C 0808	87-A12-087-080	0E	CAP,E 1-50 SMG	EZSFD	CX-NSZ500
O	TUNER (IF)	C 0809	87-A12-087-080		CAP,E 1-50 SMG	LHSFD	CX-NSZ500
O	TUNER (IF)	C 0809	87-A12-087-080	0E	CAP,E 1-50 SMG	USFD	CX-NAJ500
O	TUNER (IF)	C 0809	87-A12-087-080	0E	CAP,E 1-50 SMG	USFD	CX-NAJ503
O	TUNER (IF)	C 0809	87-A12-087-080	0E	CAP,E 1-50 SMG	EZSFD	CX-NSZ500
O	TUNER (IF)	C 0810	87-010-831-080		C-CAP,U 0.1-16 Z F	LHSFD	CX-NSZ500
O	TUNER (IF)	C 0810	87-010-831-080	0E	C-CAP,U 0.1-16 Z F	USFD	CX-NAJ500
O	TUNER (IF)	C 0810	87-010-831-080	0E	C-CAP,U 0.1-16 Z F	USFD	CX-NAJ503
O	TUNER (IF)	C 0810	87-010-831-080	0E	C-CAP,U 0.1-16 Z F	EZSFD	CX-NSZ500
O	TUNER (IF)	C 0814	87-012-286-080		C-CAP,U 0.01-25 K B	LHSFD	CX-NSZ500
O	TUNER (IF)	C 0814	87-012-286-080	0E	C-CAP,U 0.01-25 K B	USFD	CX-NAJ500
O	TUNER (IF)	C 0814	87-012-286-080	0E	C-CAP,U 0.01-25 K B	USFD	CX-NAJ503
O	TUNER (IF)	C 0814	87-012-286-080	0E	C-CAP,U 0.01-25 K B	EZSFD	CX-NSZ500
O	TUNER (IF)	C 0815	87-A12-086-080		CAP,E 0.47-50 SMG	LHSFD	CX-NSZ500
O	TUNER (IF)	C 0815	87-A12-086-080	0E	CAP,E 0.47-50 SMG	USFD	CX-NAJ500
O	TUNER (IF)	C 0815	87-A12-086-080	0E	CAP,E 0.47-50 SMG	USFD	CX-NAJ503
O	TUNER (IF)	C 0815	87-A12-086-080	0E	CAP,E 0.47-50 SMG	EZSFD	CX-NSZ500
O	TUNER (IF)	C 0816	87-A12-086-080		CAP,E 0.47-50 SMG	LHSFD	CX-NSZ500
O	TUNER (IF)	C 0816	87-A12-086-080	0E	CAP,E 0.47-50 SMG	USFD	CX-NAJ500
O	TUNER (IF)	C 0816	87-A12-086-080	0E	CAP,E 0.47-50 SMG	USFD	CX-NAJ503
O	TUNER (IF)	C 0816	87-A12-086-080	0E	CAP,E 0.47-50 SMG	EZSFD	CX-NSZ500
O	TUNER (IF)	C 0818	87-012-276-080	0E	C-CAP,U 1500P-50 K B	EZSFD	CX-NSZ500
O	TUNER (IF)	C 0821	87-A12-091-080		CAP,E 10-50 SMG	LHSFD	CX-NSZ500
O	TUNER (IF)	C 0821	87-A12-091-080	0E	CAP,E 10-50 SMG	USFD	CX-NAJ500
O	TUNER (IF)	C 0821	87-A12-091-080	0E	CAP,E 10-50 SMG	USFD	CX-NAJ503
O	TUNER (IF)	C 0821	87-A12-091-080	0E	CAP,E 10-50 SMG	EZSFD	CX-NSZ500
X	TUNER (IF)	C 0822	88-108-000-080		C-JUMPER,U	LHSFD	CX-NSZ500
X	TUNER (IF)	C 0822	88-108-000-080	0E	C-JUMPER,U	USFD	CX-NAJ500
X	TUNER (IF)	C 0822	88-108-000-080	0E	C-JUMPER,U	USFD	CX-NAJ503

PARTS LIST

! = Δ SAFTY PARTS
 C = Components marked

All components used on this model at the production line are shown in this service manual.

However, please note that not all components will be available as spare parts for after-sales service.

Components marked S and O are designated as spare parts for service and will be stocked at the spare parts centers.

Components marked X and R are not designated as spare parts for after sales service, and will not be stocked at the spare parts centers.

K NO. = Only use Japanese.

! C	UNIT NAME	REF NO.	PARTS CODE	K NO.	DESCRIPTION	SUFFIX	MODEL NAME
X	TUNER (IF)	C 0822	88-108-000-080	0E	C-JUMPER, U	EZSFD	CX-NSZ500
O	TUNER (IF)	C 0823	87-010-177-080		C-CAP, S 820P-50 J SL C2012	LHSFD	CX-NSZ500
O	TUNER (IF)	C 0823	87-010-177-080	0E	C-CAP, S 820P-50 J SL C2012	USFD	CX-NAJ500
O	TUNER (IF)	C 0823	87-010-177-080	0E	C-CAP, S 820P-50 J SL C2012	USFD	CX-NAJ503
O	TUNER (IF)	C 0823	87-A10-915-080	0E	C-CAP, U 1000P-25 J CH	EZSFD	CX-NSZ500
O	TUNER (IF)	C 0824	87-A12-090-080		CAP, E 4.7-50 SMG	LHSFD	CX-NSZ500
O	TUNER (IF)	C 0824	87-A12-090-080	0E	CAP, E 4.7-50 SMG	USFD	CX-NAJ500
O	TUNER (IF)	C 0824	87-A12-090-080	0E	CAP, E 4.7-50 SMG	USFD	CX-NAJ503
O	TUNER (IF)	C 0824	87-A12-090-080	0E	CAP, E 4.7-50 SMG	EZSFD	CX-NSZ500
O	TUNER (IF)	C 0825	87-010-596-080		C-CAP, S 0.047-16 K R C2012	LHSFD	CX-NSZ500
O	TUNER (IF)	C 0825	87-010-596-080	0E	C-CAP, S 0.047-16 K R C2012	USFD	CX-NAJ500
O	TUNER (IF)	C 0825	87-010-596-080	0E	C-CAP, S 0.047-16 K R C2012	USFD	CX-NAJ503
O	TUNER (IF)	C 0825	87-010-596-080	0E	C-CAP, S 0.047-16 K R C2012	EZSFD	CX-NSZ500
S	TUNER (IF)	D 0801	87-A40-291-080	0E	DIODE, 1N4148M (CPT)	EZSFD	CX-NSZ500
X	TUNER (IF)	D 0801	88-100-000-010		PLATING-JW, 0.58 SN95	LHSFD	CX-NSZ500
X	TUNER (IF)	D 0801	88-100-000-010	0E	PLATING-JW, 0.58 SN95	USFD	CX-NAJ500
X	TUNER (IF)	D 0801	88-100-000-010	0E	PLATING-JW, 0.58 SN95	USFD	CX-NAJ503
S	TUNER (IF)	D 0803	87-A40-291-080		DIODE, 1N4148M (CPT)	LHSFD	CX-NSZ500
S	TUNER (IF)	D 0803	87-A40-291-080	0E	DIODE, 1N4148M (CPT)	USFD	CX-NAJ500
S	TUNER (IF)	D 0803	87-A40-291-080	0E	DIODE, 1N4148M (CPT)	USFD	CX-NAJ503
S	TUNER (IF)	D 0803	87-A40-291-080	0E	DIODE, 1N4148M (CPT)	EZSFD	CX-NSZ500
S	TUNER (IF)	IC 0801	87-A21-695-010		IC, LA1845L	LHSFD	CX-NSZ500
S	TUNER (IF)	IC 0801	87-A21-695-010	1C	IC, LA1845L	USFD	CX-NAJ500
S	TUNER (IF)	IC 0801	87-A21-695-010	1C	IC, LA1845L	USFD	CX-NAJ503
S	TUNER (IF)	IC 0801	87-A21-695-010	1C	IC, LA1845L	EZSFD	CX-NSZ500
X	TUNER (IF)	JR 0781	88-129-000-080		C-JUMPER, 3216	LHSFD	CX-NSZ500
X	TUNER (IF)	JR 0781	88-129-000-080	0E	C-JUMPER, 3216	USFD	CX-NAJ500
X	TUNER (IF)	JR 0781	88-129-000-080	0E	C-JUMPER, 3216	USFD	CX-NAJ503
X	TUNER (IF)	JR 0781	88-129-000-080	0E	C-JUMPER, 3216	EZSFD	CX-NSZ500
X	TUNER (IF)	JR 0785	88-108-000-080		C-JUMPER, U	LHSFD	CX-NSZ500
X	TUNER (IF)	JR 0785	88-108-000-080	0E	C-JUMPER, U	USFD	CX-NAJ500
X	TUNER (IF)	JR 0785	88-108-000-080	0E	C-JUMPER, U	USFD	CX-NAJ503
X	TUNER (IF)	JR 0785	88-108-000-080	0E	C-JUMPER, U	EZSFD	CX-NSZ500
X	TUNER (IF)	JR 0786	88-108-000-080		C-JUMPER, U	LHSFD	CX-NSZ500
X	TUNER (IF)	JR 0786	88-108-000-080	0E	C-JUMPER, U	USFD	CX-NAJ500
X	TUNER (IF)	JR 0786	88-108-000-080	0E	C-JUMPER, U	USFD	CX-NAJ503
X	TUNER (IF)	JR 0786	88-108-000-080	0E	C-JUMPER, U	EZSFD	CX-NSZ500
X	TUNER (IF)	JR 0792	88-108-000-080		C-JUMPER, U	LHSFD	CX-NSZ500
X	TUNER (IF)	JR 0792	88-108-000-080	0E	C-JUMPER, U	USFD	CX-NAJ500
X	TUNER (IF)	JR 0792	88-108-000-080	0E	C-JUMPER, U	USFD	CX-NAJ503
X	TUNER (IF)	JR 0792	88-108-000-080	0E	C-JUMPER, U	EZSFD	CX-NSZ500
X	TUNER (IF)	JR 0795	88-129-000-080		C-JUMPER, 3216	LHSFD	CX-NSZ500
X	TUNER (IF)	JR 0795	88-129-000-080	0E	C-JUMPER, 3216	USFD	CX-NAJ500
X	TUNER (IF)	JR 0795	88-129-000-080	0E	C-JUMPER, 3216	USFD	CX-NAJ503
X	TUNER (IF)	JR 0795	88-129-000-080	0E	C-JUMPER, 3216	EZSFD	CX-NSZ500
X	TUNER (IF)	JR 0797	88-108-000-080		C-JUMPER, U	LHSFD	CX-NSZ500
X	TUNER (IF)	JR 0797	88-108-000-080	0E	C-JUMPER, U	USFD	CX-NAJ500
X	TUNER (IF)	JR 0797	88-108-000-080	0E	C-JUMPER, U	USFD	CX-NAJ503
X	TUNER (IF)	JR 0797	88-108-000-080	0E	C-JUMPER, U	EZSFD	CX-NSZ500
X	TUNER (IF)	JR 0801	88-108-000-080		C-JUMPER, U	LHSFD	CX-NSZ500
X	TUNER (IF)	JR 0801	88-108-000-080	0E	C-JUMPER, U	USFD	CX-NAJ500
X	TUNER (IF)	JR 0801	88-108-000-080	0E	C-JUMPER, U	USFD	CX-NAJ503
O	TUNER (IF)	L 0801	87-A50-608-010		COIL, FM DET-N (TOK)	EZSFD	CX-NSZ500
O	TUNER (IF)	L 0801	87-A50-608-010	0E	COIL, FM DET-N (TOK)	LHSFD	CX-NSZ500
O	TUNER (IF)	L 0801	87-A50-608-010	0E	COIL, FM DET-N (TOK)	USFD	CX-NAJ500
O	TUNER (IF)	L 0801	87-A50-608-010	0E	COIL, FM DET-N (TOK)	USFD	CX-NAJ503
O	TUNER (IF)	L 0801	87-A50-608-010	0E	COIL, FM DET-N (TOK)	EZSFD	CX-NSZ500
O	TUNER (IF)	L 0802	87-A91-551-010		FLTR, PCFJZH-450 L (TOK)	LHSFD	CX-NSZ500
O	TUNER (IF)	L 0802	87-A91-551-010	1A	FLTR, PCFJZH-450 L (TOK)	USFD	CX-NAJ500
O	TUNER (IF)	L 0802	87-A91-551-010	1A	FLTR, PCFJZH-450 L (TOK)	USFD	CX-NAJ503
O	TUNER (IF)	L 0802	87-A91-551-010	1A	FLTR, PCFJZH-450 L (TOK)	EZSFD	CX-NSZ500
O	TUNER (IF)	L 0811	87-005-847-080		COIL, 2.2UH K CECS	LHSFD	CX-NSZ500
O	TUNER (IF)	L 0811	87-005-847-080	0E	COIL, 2.2UH K CECS	USFD	CX-NAJ500
O	TUNER (IF)	L 0811	87-005-847-080	0E	COIL, 2.2UH K CECS	USFD	CX-NAJ503
O	TUNER (IF)	L 0811	87-005-847-080	0E	COIL, 2.2UH K CECS	EZSFD	CX-NSZ500
X	TUNER (IF)	R 0789	88-108-473-080	0E	C-RES, U 47K-1/16W J	EZSFD	CX-NSZ500
O	TUNER (IF)	R 0790	87-012-286-080		C-CAP, U 0.01-25 K B	LHSFD	CX-NSZ500
O	TUNER (IF)	R 0790	87-012-286-080	0E	C-CAP, U 0.01-25 K B	USFD	CX-NAJ500
O	TUNER (IF)	R 0790	87-012-286-080	0E	C-CAP, U 0.01-25 K B	USFD	CX-NAJ503
O	TUNER (IF)	R 0790	87-012-286-080	0E	C-CAP, U 0.01-25 K B	EZSFD	CX-NSZ500

PARTS LIST

! = Δ SAFTY PARTS
 C = Components marked

All components used on this model at the production line are shown in this service manual.

However, please note that not all components will be available as spare parts for after-sales service.

Components marked S and O are designated as spare parts for service and will be stocked at the spare parts centers.

Components marked X and R are not designated as spare parts for after sales service, and will not be stocked at the spare parts centers.

K NO. = Only use Japanese.

! C	UNIT NAME	REF NO.	PARTS CODE	K NO.	DESCRIPTION	SUFFIX	MODEL NAME
X	TUNER (IF)	R 0791	88-108-102-080		C-RES,U 1K-1/16W J	LHSFD	CX-NSZ500
X	TUNER (IF)	R 0791	88-108-102-080	0E	C-RES,U 1K-1/16W J	USFD	CX-NAJ500
X	TUNER (IF)	R 0791	88-108-102-080	0E	C-RES,U 1K-1/16W J	USFD	CX-NAJ503
X	TUNER (IF)	R 0791	88-108-102-080	0E	C-RES,U 1K-1/16W J	EZSFD	CX-NSZ500
X	TUNER (IF)	R 0793	88-108-000-080		C-JUMPER,U	LHSFD	CX-NSZ500
X	TUNER (IF)	R 0793	88-108-000-080	0E	C-JUMPER,U	USFD	CX-NAJ500
X	TUNER (IF)	R 0793	88-108-000-080	0E	C-JUMPER,U	USFD	CX-NAJ503
X	TUNER (IF)	R 0793	88-108-221-080	0E	C-RES,U 220-1/16W J	EZSFD	CX-NSZ500
X	TUNER (IF)	R 0795	88-108-000-080		C-JUMPER,U	LHSFD	CX-NSZ500
X	TUNER (IF)	R 0795	88-108-000-080	0E	C-JUMPER,U	USFD	CX-NAJ500
X	TUNER (IF)	R 0795	88-108-000-080	0E	C-JUMPER,U	USFD	CX-NAJ503
X	TUNER (IF)	R 0795	88-108-000-080	0E	C-JUMPER,U	EZSFD	CX-NSZ500
X	TUNER (IF)	R 0801	88-108-103-080		C-RES,U 10K-1/16W J	LHSFD	CX-NSZ500
X	TUNER (IF)	R 0801	88-108-103-080	0E	C-RES,U 10K-1/16W J	USFD	CX-NAJ500
X	TUNER (IF)	R 0801	88-108-103-080	0E	C-RES,U 10K-1/16W J	USFD	CX-NAJ503
X	TUNER (IF)	R 0801	88-108-103-080	0E	C-RES,U 10K-1/16W J	EZSFD	CX-NSZ500
X	TUNER (IF)	R 0802	88-108-223-080		C-RES,U 22K-1/16W J	LHSFD	CX-NSZ500
X	TUNER (IF)	R 0802	88-108-223-080	0E	C-RES,U 22K-1/16W J	USFD	CX-NAJ500
X	TUNER (IF)	R 0802	88-108-223-080	0E	C-RES,U 22K-1/16W J	USFD	CX-NAJ503
X	TUNER (IF)	R 0802	88-108-223-080	0E	C-RES,U 22K-1/16W J	EZSFD	CX-NSZ500
X	TUNER (IF)	R 0803	88-128-183-080		C-RES, 18K-1/8W J	LHSFD	CX-NSZ500
X	TUNER (IF)	R 0803	88-128-183-080	0E	C-RES, 18K-1/8W J	USFD	CX-NAJ500
X	TUNER (IF)	R 0803	88-128-183-080	0E	C-RES, 18K-1/8W J	USFD	CX-NAJ503
X	TUNER (IF)	R 0803	88-128-183-080	0E	C-RES, 18K-1/8W J	EZSFD	CX-NSZ500
X	TUNER (IF)	R 0804	88-108-000-080		C-JUMPER,U	LHSFD	CX-NSZ500
X	TUNER (IF)	R 0804	88-108-000-080	0E	C-JUMPER,U	USFD	CX-NAJ500
X	TUNER (IF)	R 0804	88-108-000-080	0E	C-JUMPER,U	USFD	CX-NAJ503
X	TUNER (IF)	R 0804	88-108-000-080	0E	C-JUMPER,U	EZSFD	CX-NSZ500
X	TUNER (IF)	R 0805	88-108-332-080		C-RES,U 3.3K-1/16W J	LHSFD	CX-NSZ500
X	TUNER (IF)	R 0805	88-108-332-080	0E	C-RES,U 3.3K-1/16W J	USFD	CX-NAJ500
X	TUNER (IF)	R 0805	88-108-332-080	0E	C-RES,U 3.3K-1/16W J	USFD	CX-NAJ503
X	TUNER (IF)	R 0805	88-108-332-080	0E	C-RES,U 3.3K-1/16W J	EZSFD	CX-NSZ500
X	TUNER (IF)	R 0806	88-108-682-080		C-RES,U 6.8K-1/16W J	LHSFD	CX-NSZ500
X	TUNER (IF)	R 0806	88-108-682-080	0E	C-RES,U 6.8K-1/16W J	USFD	CX-NAJ500
X	TUNER (IF)	R 0806	88-108-682-080	0E	C-RES,U 6.8K-1/16W J	USFD	CX-NAJ503
X	TUNER (IF)	R 0806	88-108-682-080	0E	C-RES,U 6.8K-1/16W J	EZSFD	CX-NSZ500
X	TUNER (IF)	R 0809	88-108-102-080		C-RES,U 1K-1/16W J	LHSFD	CX-NSZ500
X	TUNER (IF)	R 0809	88-108-102-080	0E	C-RES,U 1K-1/16W J	USFD	CX-NAJ500
X	TUNER (IF)	R 0809	88-108-102-080	0E	C-RES,U 1K-1/16W J	USFD	CX-NAJ503
X	TUNER (IF)	R 0809	88-108-102-080	0E	C-RES,U 1K-1/16W J	EZSFD	CX-NSZ500
X	TUNER (IF)	R 0810	88-108-102-080		C-RES,U 1K-1/16W J	LHSFD	CX-NSZ500
X	TUNER (IF)	R 0810	88-108-102-080	0E	C-RES,U 1K-1/16W J	USFD	CX-NAJ500
X	TUNER (IF)	R 0810	88-108-102-080	0E	C-RES,U 1K-1/16W J	USFD	CX-NAJ503
X	TUNER (IF)	R 0810	88-108-102-080	0E	C-RES,U 1K-1/16W J	EZSFD	CX-NSZ500
X	TUNER (IF)	R 0811	88-108-000-080		C-JUMPER,U	LHSFD	CX-NSZ500
X	TUNER (IF)	R 0811	88-108-000-080	0E	C-JUMPER,U	USFD	CX-NAJ500
X	TUNER (IF)	R 0811	88-108-000-080	0E	C-JUMPER,U	USFD	CX-NAJ503
X	TUNER (IF)	R 0811	88-108-000-080	0E	C-JUMPER,U	EZSFD	CX-NSZ500
X	TUNER (IF)	R 0812	88-108-000-080		C-JUMPER,U	LHSFD	CX-NSZ500
X	TUNER (IF)	R 0812	88-108-000-080	0E	C-JUMPER,U	USFD	CX-NAJ500
X	TUNER (IF)	R 0812	88-108-000-080	0E	C-JUMPER,U	USFD	CX-NAJ503
X	TUNER (IF)	R 0812	88-108-000-080	0E	C-JUMPER,U	EZSFD	CX-NSZ500
X	TUNER (IF)	R 0813	88-108-224-080		C-RES,U 220K-1/16W J	LHSFD	CX-NSZ500
X	TUNER (IF)	R 0813	88-108-224-080	0E	C-RES,U 220K-1/16W J	USFD	CX-NAJ500
X	TUNER (IF)	R 0813	88-108-224-080	0E	C-RES,U 220K-1/16W J	USFD	CX-NAJ503
X	TUNER (IF)	R 0813	88-108-224-080	0E	C-RES,U 220K-1/16W J	EZSFD	CX-NSZ500
X	TUNER (IF)	R 0814	88-108-105-080		C-RES,U 1M-1/16W J	LHSFD	CX-NSZ500
X	TUNER (IF)	R 0814	88-108-105-080	0E	C-RES,U 1M-1/16W J	USFD	CX-NAJ500
X	TUNER (IF)	R 0814	88-108-105-080	0E	C-RES,U 1M-1/16W J	USFD	CX-NAJ503
X	TUNER (IF)	R 0814	88-108-222-080	0E	C-RES,U 2.2K-1/16W J	EZSFD	CX-NSZ500
X	TUNER (IF)	R 0815	88-121-682-080		RES, 6.8K-1/8W J	LHSFD	CX-NSZ500
X	TUNER (IF)	R 0815	88-121-682-080	0E	RES, 6.8K-1/8W J	USFD	CX-NAJ500
X	TUNER (IF)	R 0815	88-121-682-080	0E	RES, 6.8K-1/8W J	USFD	CX-NAJ503
X	TUNER (IF)	R 0815	88-121-682-080	0E	RES, 6.8K-1/8W J	EZSFD	CX-NSZ500
X	TUNER (IF)	R 0818	88-108-103-080		C-RES,U 10K-1/16W J	LHSFD	CX-NSZ500
X	TUNER (IF)	R 0818	88-108-103-080	0E	C-RES,U 10K-1/16W J	USFD	CX-NAJ500
X	TUNER (IF)	R 0818	88-108-103-080	0E	C-RES,U 10K-1/16W J	USFD	CX-NAJ503
X	TUNER (IF)	R 0818	88-108-103-080	0E	C-RES,U 10K-1/16W J	EZSFD	CX-NSZ500
X	TUNER (IF)	R 0821	88-108-000-080		C-JUMPER,U	LHSFD	CX-NSZ500
X	TUNER (IF)	R 0821	88-108-000-080	0E	C-JUMPER,U	USFD	CX-NAJ500

PARTS LIST

! = Δ SAFTY PARTS
 C = Components marked

All components used on this model at the production line are shown in this service manual.

However, please note that not all components will be available as spare parts for after-sales service.

Components marked S and O are designated as spare parts for service and will be stocked at the spare parts centers.

Components marked X and R are not designated as spare parts for after sales service, and will not be stocked at the spare parts centers.

K NO. = Only use japanese.

! C	UNIT NAME	REF NO.	PARTS CODE	K NO.	DESCRIPTION	SUFFIX	MODEL NAME
X	TUNER (IF)	R 0821	88-108-000-080	0E	C-JUMPER,U	USFD	CX-NAJ503
X	TUNER (IF)	R 0821	88-108-000-080	0E	C-JUMPER,U	EZSFD	CX-NSZ500
X	TUNER (IF)	R 0823	88-108-333-080		C-RES,U 33K-1/16W J	LHSFD	CX-NSZ500
X	TUNER (IF)	R 0823	88-108-333-080	0E	C-RES,U 33K-1/16W J	USFD	CX-NAJ500
X	TUNER (IF)	R 0823	88-108-333-080	0E	C-RES,U 33K-1/16W J	USFD	CX-NAJ503
X	TUNER (IF)	R 0823	88-108-473-080	0E	C-RES,U 47K-1/16W J	EZSFD	CX-NSZ500
X	TUNER (IF)	R 0824	88-108-102-080		C-RES,U 1K-1/16W J	LHSFD	CX-NSZ500
X	TUNER (IF)	R 0824	88-108-102-080	0E	C-RES,U 1K-1/16W J	USFD	CX-NAJ500
X	TUNER (IF)	R 0824	88-108-102-080	0E	C-RES,U 1K-1/16W J	USFD	CX-NAJ503
X	TUNER (IF)	R 0825	88-108-473-080		C-RES,U 47K-1/16W J	LHSFD	CX-NSZ500
X	TUNER (IF)	R 0825	88-108-473-080	0E	C-RES,U 47K-1/16W J	USFD	CX-NAJ500
X	TUNER (IF)	R 0825	88-108-473-080	0E	C-RES,U 47K-1/16W J	USFD	CX-NAJ503
X	TUNER (IF)	R 0826	88-108-223-080		C-RES,U 22K-1/16W J	LHSFD	CX-NSZ500
X	TUNER (IF)	R 0826	88-108-223-080	0E	C-RES,U 22K-1/16W J	USFD	CX-NAJ500
X	TUNER (IF)	R 0826	88-108-223-080	0E	C-RES,U 22K-1/16W J	USFD	CX-NAJ503
X	TUNER (IF)	R 0826	88-108-223-080	0E	C-RES,U 22K-1/16W J	EZSFD	CX-NSZ500
O	TUNER (PLL)	C 0971	87-A12-067-080		CAP,E 330-16 SMG	LHSFD	CX-NSZ500
O	TUNER (PLL)	C 0971	87-A12-067-080	0E	CAP,E 330-16 SMG	USFD	CX-NAJ500
O	TUNER (PLL)	C 0971	87-A12-067-080	0E	CAP,E 330-16 SMG	USFD	CX-NAJ503
O	TUNER (PLL)	C 0971	87-A12-067-080	0E	CAP,E 330-16 SMG	EZSFD	CX-NSZ500
O	TUNER (PLL)	C 0972	87-A12-090-080		CAP,E 4.7-50 SMG	LHSFD	CX-NSZ500
O	TUNER (PLL)	C 0972	87-A12-090-080	0E	CAP,E 4.7-50 SMG	USFD	CX-NAJ500
O	TUNER (PLL)	C 0972	87-A12-090-080	0E	CAP,E 4.7-50 SMG	USFD	CX-NAJ503
O	TUNER (PLL)	C 0972	87-A12-090-080	0E	CAP,E 4.7-50 SMG	EZSFD	CX-NSZ500
O	TUNER (PLL)	C 0973	87-012-286-080		C-CAP,U 0.01-25 K B	LHSFD	CX-NSZ500
O	TUNER (PLL)	C 0973	87-012-286-080	0E	C-CAP,U 0.01-25 K B	USFD	CX-NAJ500
O	TUNER (PLL)	C 0973	87-012-286-080	0E	C-CAP,U 0.01-25 K B	USFD	CX-NAJ503
O	TUNER (PLL)	C 0973	87-012-286-080	0E	C-CAP,U 0.01-25 K B	EZSFD	CX-NSZ500
O	TUNER (PLL)	C 0974	87-012-286-080		C-CAP,U 0.01-25 K B	LHSFD	CX-NSZ500
O	TUNER (PLL)	C 0974	87-012-286-080	0E	C-CAP,U 0.01-25 K B	USFD	CX-NAJ500
O	TUNER (PLL)	C 0974	87-012-286-080	0E	C-CAP,U 0.01-25 K B	EZSFD	CX-NSZ500
O	TUNER (PLL)	C 0979	87-012-195-080		C-CAP,U 100P-50 J CH	LHSFD	CX-NSZ500
O	TUNER (PLL)	C 0979	87-012-195-080	0E	C-CAP,U 100P-50 J CH	USFD	CX-NAJ500
O	TUNER (PLL)	C 0979	87-012-195-080	0E	C-CAP,U 100P-50 J CH	USFD	CX-NAJ503
O	TUNER (PLL)	C 0979	87-012-195-080	0E	C-CAP,U 100P-50 J CH	EZSFD	CX-NSZ500
O	TUNER (PLL)	C 0981	87-A12-071-080		CAP,E 47-25 SMG	LHSFD	CX-NSZ500
O	TUNER (PLL)	C 0981	87-A12-071-080	0E	CAP,E 47-25 SMG	USFD	CX-NAJ500
O	TUNER (PLL)	C 0981	87-A12-071-080	0E	CAP,E 47-25 SMG	USFD	CX-NAJ503
O	TUNER (PLL)	C 0981	87-A12-071-080	0E	CAP,E 47-25 SMG	EZSFD	CX-NSZ500
O	TUNER (PLL)	C 0982	87-010-831-080		C-CAP,U 0.1-16 Z F	LHSFD	CX-NSZ500
O	TUNER (PLL)	C 0982	87-010-831-080	0E	C-CAP,U 0.1-16 Z F	USFD	CX-NAJ500
O	TUNER (PLL)	C 0982	87-010-831-080	0E	C-CAP,U 0.1-16 Z F	USFD	CX-NAJ503
O	TUNER (PLL)	C 0982	87-010-831-080	0E	C-CAP,U 0.1-16 Z F	EZSFD	CX-NSZ500
O	TUNER (PLL)	C 0983	87-012-286-080		C-CAP,U 0.01-25 K B	LHSFD	CX-NSZ500
O	TUNER (PLL)	C 0983	87-012-286-080	0E	C-CAP,U 0.01-25 K B	USFD	CX-NAJ500
O	TUNER (PLL)	C 0983	87-012-286-080	0E	C-CAP,U 0.01-25 K B	USFD	CX-NAJ503
O	TUNER (PLL)	C 0983	87-012-286-080	0E	C-CAP,U 0.01-25 K B	EZSFD	CX-NSZ500
O	TUNER (PLL)	C 0984	87-012-286-080		C-CAP,U 0.01-25 K B	LHSFD	CX-NSZ500
O	TUNER (PLL)	C 0984	87-012-286-080	0E	C-CAP,U 0.01-25 K B	USFD	CX-NAJ500
O	TUNER (PLL)	C 0984	87-012-286-080	0E	C-CAP,U 0.01-25 K B	EZSFD	CX-NSZ500
O	TUNER (PLL)	C 0985	87-012-195-080	0E	C-CAP,U 100P-50 J CH	EZSFD	CX-NSZ500
O	TUNER (PLL)	C 0987	87-012-286-080		C-CAP,U 0.01-25 K B	LHSFD	CX-NSZ500
O	TUNER (PLL)	C 0987	87-012-286-080	0E	C-CAP,U 0.01-25 K B	USFD	CX-NAJ500
O	TUNER (PLL)	C 0987	87-012-286-080	0E	C-CAP,U 0.01-25 K B	USFD	CX-NAJ503
O	TUNER (PLL)	C 0987	87-012-286-080	0E	C-CAP,U 0.01-25 K B	EZSFD	CX-NSZ500
O	TUNER (PLL)	C 0989	87-012-286-080	0E	C-CAP,U 0.01-25 K B	EZSFD	CX-NSZ500
O	TUNER (PLL)	C 0991	87-012-176-080		C-CAP,U 15P-50 J CH	LHSFD	CX-NSZ500
O	TUNER (PLL)	C 0991	87-012-176-080	0E	C-CAP,U 15P-50 J CH	USFD	CX-NAJ500
O	TUNER (PLL)	C 0991	87-012-176-080	0E	C-CAP,U 15P-50 J CH	EZSFD	CX-NSZ500
O	TUNER (PLL)	C 0992	87-012-176-080		C-CAP,U 15P-50 J CH	LHSFD	CX-NSZ500
O	TUNER (PLL)	C 0992	87-012-176-080	0E	C-CAP,U 15P-50 J CH	USFD	CX-NAJ500
O	TUNER (PLL)	C 0992	87-012-176-080	0E	C-CAP,U 15P-50 J CH	EZSFD	CX-NSZ500
O	TUNER (PLL)	C 0993	87-012-274-080		C-CAP,U 1000P-50 K B	LHSFD	CX-NSZ500
O	TUNER (PLL)	C 0993	87-012-274-080	0E	C-CAP,U 1000P-50 K B	USFD	CX-NAJ500
O	TUNER (PLL)	C 0993	87-012-274-080	0E	C-CAP,U 1000P-50 K B	USFD	CX-NAJ503
O	TUNER (PLL)	C 0993	87-012-274-080	0E	C-CAP,U 1000P-50 K B	EZSFD	CX-NSZ500

PARTS LIST

! = Δ SAFTY PARTS
 C = Components marked

All components used on this model at the production line are shown in this service manual.

However, please note that not all components will be available as spare parts for after-sales service.

Components marked S and O are designated as spare parts for service and will be stocked at the spare parts centers.

Components marked X and R are not designated as spare parts for after sales service, and will not be stocked at the spare parts centers.

K NO. = Only use Japanese.

! C	UNIT NAME	REF NO.	PARTS CODE	K NO.	DESCRIPTION	SUFFIX	MODEL NAME
O	TUNER (PLL)	C 0995	87-012-274-080		C-CAP,U 1000P-50 K B	LHSFD	CX-NSZ500
O	TUNER (PLL)	C 0995	87-012-274-080	0E	C-CAP,U 1000P-50 K B	USFD	CX-NAJ500
O	TUNER (PLL)	C 0995	87-012-274-080	0E	C-CAP,U 1000P-50 K B	USFD	CX-NAJ503
O	TUNER (PLL)	C 0995	87-012-274-080	0E	C-CAP,U 1000P-50 K B	EZSFD	CX-NSZ500
O	TUNER (PLL)	C 0997	87-010-831-080		C-CAP,U 0.1-16 Z F	LHSFD	CX-NSZ500
O	TUNER (PLL)	C 0997	87-010-831-080	0E	C-CAP,U 0.1-16 Z F	USFD	CX-NAJ500
O	TUNER (PLL)	C 0997	87-010-831-080	0E	C-CAP,U 0.1-16 Z F	USFD	CX-NAJ503
O	TUNER (PLL)	C 0997	87-010-831-080	0E	C-CAP,U 0.1-16 Z F	EZSFD	CX-NSZ500
O	TUNER (PLL)	C 0998	87-A12-071-080		CAP,E 47-25 SMG	LHSFD	CX-NSZ500
O	TUNER (PLL)	C 0998	87-A12-071-080	0E	CAP,E 47-25 SMG	USFD	CX-NAJ500
O	TUNER (PLL)	C 0998	87-A12-071-080	0E	CAP,E 47-25 SMG	USFD	CX-NAJ503
O	TUNER (PLL)	C 0998	87-A12-071-080	0E	CAP,E 47-25 SMG	EZSFD	CX-NSZ500
O	TUNER (PLL)	C 0999	87-A11-155-080		CAP,TC U 0.01-16 Z F	LHSFD	CX-NSZ500
O	TUNER (PLL)	C 0999	87-A11-155-080	0E	CAP,TC U 0.01-16 Z F	USFD	CX-NAJ500
O	TUNER (PLL)	C 0999	87-A11-155-080	0E	CAP,TC U 0.01-16 Z F	USFD	CX-NAJ503
O	TUNER (PLL)	C 0999	87-A11-155-080	0E	CAP,TC U 0.01-16 Z F	EZSFD	CX-NSZ500
S	TUNER (PLL)	D 0991	87-017-149-080		ZENER,HZS6A2L	LHSFD	CX-NSZ500
S	TUNER (PLL)	D 0991	87-017-149-080	0E	ZENER,HZS6A2L	USFD	CX-NAJ500
S	TUNER (PLL)	D 0991	87-017-149-080	0E	ZENER,HZS6A2L	USFD	CX-NAJ503
S	TUNER (PLL)	D 0991	87-017-149-080	0E	ZENER,HZS6A2L	EZSFD	CX-NSZ500
S	TUNER (PLL)	D 0992	87-A40-291-080	0E	DIODE,1N4148M (CPT)	EZSFD	CX-NSZ500
S	TUNER (PLL)	D 0994	87-A40-291-080		DIODE,1N4148M (CPT)	LHSFD	CX-NSZ500
S	TUNER (PLL)	D 0994	87-A40-291-080	0E	DIODE,1N4148M (CPT)	USFD	CX-NAJ500
S	TUNER (PLL)	D 0994	87-A40-291-080	0E	DIODE,1N4148M (CPT)	USFD	CX-NAJ503
S	TUNER (PLL)	D 0994	87-A40-291-080	0E	DIODE,1N4148M (CPT)	EZSFD	CX-NSZ500
S	TUNER (PLL)	IC 0991	87-A21-928-010		IC,LC72131D-N	LHSFD	CX-NSZ500
S	TUNER (PLL)	IC 0991	87-A21-928-010	1C	IC,LC72131D-N	USFD	CX-NAJ500
S	TUNER (PLL)	IC 0991	87-A21-928-010	1C	IC,LC72131D-N	USFD	CX-NAJ503
S	TUNER (PLL)	IC 0991	87-A21-928-010	1C	IC,LC72131D-N	EZSFD	CX-NSZ500
X	TUNER (PLL)	JR 0971	88-129-000-080		C-JUMPER,3216	LHSFD	CX-NSZ500
X	TUNER (PLL)	JR 0971	88-129-000-080	0E	C-JUMPER,3216	USFD	CX-NAJ500
X	TUNER (PLL)	JR 0971	88-129-000-080	0E	C-JUMPER,3216	USFD	CX-NAJ503
X	TUNER (PLL)	JR 0971	88-129-000-080	0E	C-JUMPER,3216	EZSFD	CX-NSZ500
X	TUNER (PLL)	JR 0972	88-108-000-080		C-JUMPER,U	LHSFD	CX-NSZ500
X	TUNER (PLL)	JR 0972	88-108-000-080	0E	C-JUMPER,U	USFD	CX-NAJ500
X	TUNER (PLL)	JR 0972	88-108-000-080	0E	C-JUMPER,U	USFD	CX-NAJ503
X	TUNER (PLL)	JR 0972	88-108-000-080	0E	C-JUMPER,U	EZSFD	CX-NSZ500
X	TUNER (PLL)	JR 0973	88-129-000-080		C-JUMPER,3216	LHSFD	CX-NSZ500
X	TUNER (PLL)	JR 0973	88-129-000-080	0E	C-JUMPER,3216	USFD	CX-NAJ500
X	TUNER (PLL)	JR 0973	88-129-000-080	0E	C-JUMPER,3216	USFD	CX-NAJ503
X	TUNER (PLL)	JR 0973	88-129-000-080	0E	C-JUMPER,3216	EZSFD	CX-NSZ500
X	TUNER (PLL)	JR 0974	88-108-000-080		C-JUMPER,U	LHSFD	CX-NSZ500
X	TUNER (PLL)	JR 0974	88-108-000-080	0E	C-JUMPER,U	USFD	CX-NAJ500
X	TUNER (PLL)	JR 0974	88-108-000-080	0E	C-JUMPER,U	USFD	CX-NAJ503
X	TUNER (PLL)	JR 0974	88-108-000-080	0E	C-JUMPER,U	EZSFD	CX-NSZ500
X	TUNER (PLL)	JR 0976	88-108-000-080		C-JUMPER,U	LHSFD	CX-NSZ500
X	TUNER (PLL)	JR 0976	88-108-000-080	0E	C-JUMPER,U	USFD	CX-NAJ500
X	TUNER (PLL)	JR 0976	88-108-000-080	0E	C-JUMPER,U	USFD	CX-NAJ503
X	TUNER (PLL)	JR 0976	88-108-000-080	0E	C-JUMPER,U	EZSFD	CX-NSZ500
X	TUNER (PLL)	JR 0977	88-108-000-080		C-JUMPER,U	LHSFD	CX-NSZ500
X	TUNER (PLL)	JR 0977	88-108-000-080	0E	C-JUMPER,U	USFD	CX-NAJ500
X	TUNER (PLL)	JR 0977	88-108-000-080	0E	C-JUMPER,U	USFD	CX-NAJ503
X	TUNER (PLL)	JR 0977	88-108-000-080	0E	C-JUMPER,U	EZSFD	CX-NSZ500
X	TUNER (PLL)	JR 0988	88-108-000-080		C-JUMPER,U	LHSFD	CX-NSZ500
X	TUNER (PLL)	JR 0988	88-108-000-080	0E	C-JUMPER,U	USFD	CX-NAJ500
X	TUNER (PLL)	JR 0988	88-108-000-080	0E	C-JUMPER,U	USFD	CX-NAJ503
X	TUNER (PLL)	JR 0988	88-108-000-080	0E	C-JUMPER,U	EZSFD	CX-NSZ500
X	TUNER (PLL)	JR 0991	88-108-000-080		C-JUMPER,U	LHSFD	CX-NSZ500
X	TUNER (PLL)	JR 0991	88-108-000-080	0E	C-JUMPER,U	USFD	CX-NAJ500
X	TUNER (PLL)	JR 0991	88-108-000-080	0E	C-JUMPER,U	USFD	CX-NAJ503
X	TUNER (PLL)	JR 0991	88-108-000-080	0E	C-JUMPER,U	EZSFD	CX-NSZ500
S	TUNER (PLL)	Q 0981	87-A30-234-080		TR,CSC4115BC	LHSFD	CX-NSZ500
S	TUNER (PLL)	Q 0981	87-A30-234-080	0E	TR,CSC4115BC	USFD	CX-NAJ500
S	TUNER (PLL)	Q 0981	87-A30-234-080	0E	TR,CSC4115BC	USFD	CX-NAJ503
S	TUNER (PLL)	Q 0981	87-A30-234-080	0E	TR,CSC4115BC	EZSFD	CX-NSZ500
X	TUNER (PLL)	R 0973	88-108-102-080	0E	C-RES,U 1K-1/16W J	EZSFD	CX-NSZ500
X	TUNER (PLL)	R 0975	88-108-562-080		C-RES,U 5.6K-1/16W J	LHSFD	CX-NSZ500
X	TUNER (PLL)	R 0975	88-108-562-080	0E	C-RES,U 5.6K-1/16W J	USFD	CX-NAJ500
X	TUNER (PLL)	R 0975	88-108-562-080	0E	C-RES,U 5.6K-1/16W J	USFD	CX-NAJ503
X	TUNER (PLL)	R 0975	88-108-562-080	0E	C-RES,U 5.6K-1/16W J	EZSFD	CX-NSZ500

PARTS LIST

! = Δ SAFTY PARTS
 C = Components marked

All components used on this model at the production line are shown in this service manual.

However, please note that not all components will be available as spare parts for after-sales service.

Components marked S and O are designated as spare parts for service and will be stocked at the spare parts centers.

Components marked X and R are not designated as spare parts for after sales service, and will not be stocked at the spare parts centers.

K NO. = Only use Japanese.

! C	UNIT NAME	REF NO.	PARTS CODE	K NO.	DESCRIPTION	SUFFIX	MODEL NAME
X	TUNER (PLL)	R 0976	88-108-102-080		C-RES,U 1K-1/16W J	LHSFD	CX-NSZ500
X	TUNER (PLL)	R 0976	88-108-102-080	0E	C-RES,U 1K-1/16W J	USFD	CX-NAJ500
X	TUNER (PLL)	R 0976	88-108-102-080	0E	C-RES,U 1K-1/16W J	USFD	CX-NAJ503
X	TUNER (PLL)	R 0976	88-108-102-080	0E	C-RES,U 1K-1/16W J	EZSFD	CX-NSZ500
X	TUNER (PLL)	R 0977	88-108-102-080		C-RES,U 1K-1/16W J	LHSFD	CX-NSZ500
X	TUNER (PLL)	R 0977	88-108-102-080	0E	C-RES,U 1K-1/16W J	USFD	CX-NAJ500
X	TUNER (PLL)	R 0977	88-108-102-080	0E	C-RES,U 1K-1/16W J	USFD	CX-NAJ503
X	TUNER (PLL)	R 0977	88-108-102-080	0E	C-RES,U 1K-1/16W J	EZSFD	CX-NSZ500
X	TUNER (PLL)	R 0978	88-108-681-080		C-RES,U 680-1/16W J	LHSFD	CX-NSZ500
X	TUNER (PLL)	R 0978	88-108-681-080	0E	C-RES,U 680-1/16W J	USFD	CX-NAJ500
X	TUNER (PLL)	R 0978	88-108-681-080	0E	C-RES,U 680-1/16W J	USFD	CX-NAJ503
X	TUNER (PLL)	R 0978	88-108-681-080	0E	C-RES,U 680-1/16W J	EZSFD	CX-NSZ500
X	TUNER (PLL)	R 0980	88-108-684-080		C-RES,U 680K-1/16W J	LHSFD	CX-NSZ500
X	TUNER (PLL)	R 0980	88-108-684-080	0E	C-RES,U 680K-1/16W J	USFD	CX-NAJ500
X	TUNER (PLL)	R 0980	88-108-684-080	0E	C-RES,U 680K-1/16W J	USFD	CX-NAJ503
X	TUNER (PLL)	R 0980	88-108-684-080	0E	C-RES,U 680K-1/16W J	EZSFD	CX-NSZ500
X	TUNER (PLL)	R 0981	88-121-471-080		RES,470-1/8W J	LHSFD	CX-NSZ500
X	TUNER (PLL)	R 0981	88-121-471-080	0E	RES,470-1/8W J	USFD	CX-NAJ500
X	TUNER (PLL)	R 0981	88-121-471-080	0E	RES,470-1/8W J	USFD	CX-NAJ503
X	TUNER (PLL)	R 0981	88-121-471-080	0E	RES,470-1/8W J	EZSFD	CX-NSZ500
X	TUNER (PLL)	R 0982	88-108-103-080	0E	C-RES,U 10K-1/16W J	EZSFD	CX-NSZ500
X	TUNER (PLL)	R 0982	88-108-822-080		C-RES,U 8.2K-1/16W J	LHSFD	CX-NSZ500
X	TUNER (PLL)	R 0982	88-108-822-080	0E	C-RES,U 8.2K-1/16W J	USFD	CX-NAJ500
X	TUNER (PLL)	R 0982	88-108-822-080	0E	C-RES,U 8.2K-1/16W J	USFD	CX-NAJ503
X	TUNER (PLL)	R 0983	88-108-101-080		C-RES,U 100-1/16W J	LHSFD	CX-NSZ500
X	TUNER (PLL)	R 0983	88-108-101-080	0E	C-RES,U 100-1/16W J	USFD	CX-NAJ500
X	TUNER (PLL)	R 0983	88-108-101-080	0E	C-RES,U 100-1/16W J	USFD	CX-NAJ503
X	TUNER (PLL)	R 0983	88-108-101-080	0E	C-RES,U 100-1/16W J	EZSFD	CX-NSZ500
X	TUNER (PLL)	R 0984	88-121-181-080		RES,180-1/8W J	LHSFD	CX-NSZ500
X	TUNER (PLL)	R 0984	88-121-181-080	0E	RES,180-1/8W J	USFD	CX-NAJ500
X	TUNER (PLL)	R 0984	88-121-181-080	0E	RES,180-1/8W J	USFD	CX-NAJ503
X	TUNER (PLL)	R 0984	88-121-181-080	0E	RES,180-1/8W J	EZSFD	CX-NSZ500
X	TUNER (PLL)	R 0985	88-121-471-080		RES,470-1/8W J	LHSFD	CX-NSZ500
X	TUNER (PLL)	R 0985	88-121-471-080	0E	RES,470-1/8W J	USFD	CX-NAJ500
X	TUNER (PLL)	R 0985	88-121-471-080	0E	RES,470-1/8W J	USFD	CX-NAJ503
X	TUNER (PLL)	R 0985	88-121-471-080	0E	RES,470-1/8W J	EZSFD	CX-NSZ500
X	TUNER (PLL)	R 0986	88-108-222-080		C-RES,U 2.2K-1/16W J	LHSFD	CX-NSZ500
X	TUNER (PLL)	R 0986	88-108-222-080	0E	C-RES,U 2.2K-1/16W J	USFD	CX-NAJ500
X	TUNER (PLL)	R 0986	88-108-222-080	0E	C-RES,U 2.2K-1/16W J	USFD	CX-NAJ503
X	TUNER (PLL)	R 0986	88-108-222-080	0E	C-RES,U 2.2K-1/16W J	EZSFD	CX-NSZ500
X	TUNER (PLL)	R 0987	88-121-472-080		RES,4.7K-1/8W J	LHSFD	CX-NSZ500
X	TUNER (PLL)	R 0987	88-121-472-080	0E	RES,4.7K-1/8W J	USFD	CX-NAJ500
X	TUNER (PLL)	R 0987	88-121-472-080	0E	RES,4.7K-1/8W J	USFD	CX-NAJ503
X	TUNER (PLL)	R 0987	88-121-472-080	0E	RES,4.7K-1/8W J	EZSFD	CX-NSZ500
X	TUNER (PLL)	R 0988	88-108-103-080		C-RES,U 10K-1/16W J	LHSFD	CX-NSZ500
X	TUNER (PLL)	R 0988	88-108-103-080	0E	C-RES,U 10K-1/16W J	USFD	CX-NAJ500
X	TUNER (PLL)	R 0988	88-108-103-080	0E	C-RES,U 10K-1/16W J	USFD	CX-NAJ503
X	TUNER (PLL)	R 0988	88-108-103-080	0E	C-RES,U 10K-1/16W J	EZSFD	CX-NSZ500
X	TUNER (PLL)	R 0989	88-121-102-080		RES,1K-1/8W J	LHSFD	CX-NSZ500
X	TUNER (PLL)	R 0989	88-121-102-080	0E	RES,1K-1/8W J	USFD	CX-NAJ500
X	TUNER (PLL)	R 0989	88-121-102-080	0E	RES,1K-1/8W J	USFD	CX-NAJ503
X	TUNER (PLL)	R 0989	88-121-102-080	0E	RES,1K-1/8W J	EZSFD	CX-NSZ500
X	TUNER (PLL)	R 0990	88-108-563-080		C-RES,U 56K-1/16W J	LHSFD	CX-NSZ500
X	TUNER (PLL)	R 0990	88-108-563-080	0E	C-RES,U 56K-1/16W J	USFD	CX-NAJ500
X	TUNER (PLL)	R 0990	88-108-563-080	0E	C-RES,U 56K-1/16W J	USFD	CX-NAJ503
X	TUNER (PLL)	R 0990	88-108-563-080	0E	C-RES,U 56K-1/16W J	EZSFD	CX-NSZ500
O	TUNER (PLL)	R 0991	87-012-195-080		C-CAP,U 100P-50 J CH	LHSFD	CX-NSZ500
O	TUNER (PLL)	R 0991	87-012-195-080	0E	C-CAP,U 100P-50 J CH	USFD	CX-NAJ500
O	TUNER (PLL)	R 0991	87-012-195-080	0E	C-CAP,U 100P-50 J CH	USFD	CX-NAJ503
O	TUNER (PLL)	R 0991	87-012-195-080	0E	C-CAP,U 100P-50 J CH	EZSFD	CX-NSZ500
X	TUNER (PLL)	R 0992	88-108-103-080		C-RES,U 10K-1/16W J	LHSFD	CX-NSZ500
X	TUNER (PLL)	R 0992	88-108-103-080	0E	C-RES,U 10K-1/16W J	USFD	CX-NAJ500
X	TUNER (PLL)	R 0992	88-108-103-080	0E	C-RES,U 10K-1/16W J	USFD	CX-NAJ503
X	TUNER (PLL)	R 0992	88-108-103-080	0E	C-RES,U 10K-1/16W J	EZSFD	CX-NSZ500
O	TUNER (PLL)	R 0993	87-012-195-080		C-CAP,U 100P-50 J CH	LHSFD	CX-NSZ500
O	TUNER (PLL)	R 0993	87-012-195-080	0E	C-CAP,U 100P-50 J CH	USFD	CX-NAJ500
O	TUNER (PLL)	R 0993	87-012-195-080	0E	C-CAP,U 100P-50 J CH	USFD	CX-NAJ503
O	TUNER (PLL)	R 0993	87-012-195-080	0E	C-CAP,U 100P-50 J CH	EZSFD	CX-NSZ500
X	TUNER (PLL)	R 0994	88-108-103-080		C-RES,U 10K-1/16W J	LHSFD	CX-NSZ500
X	TUNER (PLL)	R 0994	88-108-103-080	0E	C-RES,U 10K-1/16W J	USFD	CX-NAJ500

PARTS LIST

! = Δ SAFTY PARTS
 C = Components marked

All components used on this model at the production line are shown in this service manual.

However, please note that not all components will be available as spare parts for after-sales service.

Components marked S and O are designated as spare parts for service and will be stocked at the spare parts centers.

Components marked X and R are not designated as spare parts for after sales service, and will not be stocked at the spare parts centers.

K NO. = Only use Japanese.

! C	UNIT NAME	REF NO.	PARTS CODE	K NO.	DESCRIPTION	SUFFIX	MODEL NAME
X	TUNER (PLL)	R 0994	88-108-103-080	0E	C-RES,U 10K-1/16W J	USFD	CX-NAJ503
X	TUNER (PLL)	R 0994	88-108-103-080	0E	C-RES,U 10K-1/16W J	EZSFD	CX-NSZ500
O	TUNER (PLL)	R 0995	87-012-195-080		C-CAP,U 100P-50 J CH	LHSFD	CX-NSZ500
O	TUNER (PLL)	R 0995	87-012-195-080	0E	C-CAP,U 100P-50 J CH	USFD	CX-NAJ500
O	TUNER (PLL)	R 0995	87-012-195-080	0E	C-CAP,U 100P-50 J CH	USFD	CX-NAJ503
O	TUNER (PLL)	R 0995	87-012-195-080	0E	C-CAP,U 100P-50 J CH	EZSFD	CX-NSZ500
X	TUNER (PLL)	R 0996	88-108-103-080		C-RES,U 10K-1/16W J	LHSFD	CX-NSZ500
X	TUNER (PLL)	R 0996	88-108-103-080	0E	C-RES,U 10K-1/16W J	USFD	CX-NAJ500
X	TUNER (PLL)	R 0996	88-108-103-080	0E	C-RES,U 10K-1/16W J	USFD	CX-NAJ503
X	TUNER (PLL)	R 0996	88-108-103-080	0E	C-RES,U 10K-1/16W J	EZSFD	CX-NSZ500
X	TUNER (PLL)	R 0997	88-108-154-080		C-RES,U 150K-1/16W J	LHSFD	CX-NSZ500
X	TUNER (PLL)	R 0997	88-108-154-080	0E	C-RES,U 150K-1/16W J	USFD	CX-NAJ500
X	TUNER (PLL)	R 0997	88-108-154-080	0E	C-RES,U 150K-1/16W J	USFD	CX-NAJ503
X	TUNER (PLL)	R 0997	88-108-154-080	0E	C-RES,U 150K-1/16W J	EZSFD	CX-NSZ500
X	TUNER (PLL)	R 0998	88-108-102-080		C-RES,U 1K-1/16W J	LHSFD	CX-NSZ500
X	TUNER (PLL)	R 0998	88-108-102-080	0E	C-RES,U 1K-1/16W J	USFD	CX-NAJ500
X	TUNER (PLL)	R 0998	88-108-102-080	0E	C-RES,U 1K-1/16W J	USFD	CX-NAJ503
X	TUNER (PLL)	R 0998	88-108-102-080	0E	C-RES,U 1K-1/16W J	EZSFD	CX-NSZ500
X	TUNER (PLL)	R 0999	88-108-103-080		C-RES,U 10K-1/16W J	LHSFD	CX-NSZ500
X	TUNER (PLL)	R 0999	88-108-103-080	0E	C-RES,U 10K-1/16W J	USFD	CX-NAJ500
X	TUNER (PLL)	R 0999	88-108-103-080	0E	C-RES,U 10K-1/16W J	USFD	CX-NAJ503
X	TUNER (PLL)	R 0999	88-108-103-080	0E	C-RES,U 10K-1/16W J	EZSFD	CX-NSZ500
X	TUNER (PLL)	R 0999	88-108-103-080	0E	C-RES,U 10K-1/16W J	USFD	CX-NAJ503
X	TUNER (PLL)	R 0999	88-108-103-080	0E	C-RES,U 10K-1/16W J	EZSFD	CX-NSZ500
O	TUNER (PLL)	X 0992	87-A70-306-010		VIB,XTAL 4.500MHZ CSA-309ST	LHSFD	CX-NSZ500
O	TUNER (PLL)	X 0992	87-A70-306-010	1A	VIB,XTAL 4.500MHZ CSA-309ST	USFD	CX-NAJ500
O	TUNER (PLL)	X 0992	87-A70-306-010	1A	VIB,XTAL 4.500MHZ CSA-309ST	USFD	CX-NAJ503
O	TUNER (PLL)	X 0992	87-A70-306-010	1A	VIB,XTAL 4.500MHZ CSA-309ST	EZSFD	CX-NSZ500
X	TUNER (RDS)	JR 0871	88-108-000-080		C-JUMPER,U	LHSFD	CX-NSZ500
X	TUNER (RDS)	JR 0871	88-108-000-080	0E	C-JUMPER,U	USFD	CX-NAJ500
X	TUNER (RDS)	JR 0871	88-108-000-080	0E	C-JUMPER,U	USFD	CX-NAJ503
X	TUNER (RDS)	JR 0871	88-108-000-080	0E	C-JUMPER,U	EZSFD	CX-NSZ500
X	TUNER (RDS)	JR 0873	88-108-000-080		C-JUMPER,U	LHSFD	CX-NSZ500
X	TUNER (RDS)	JR 0873	88-108-000-080	0E	C-JUMPER,U	USFD	CX-NAJ500
X	TUNER (RDS)	JR 0873	88-108-000-080	0E	C-JUMPER,U	USFD	CX-NAJ503
X	TUNER (RDS)	JR 0873	88-108-000-080	0E	C-JUMPER,U	EZSFD	CX-NSZ500
O	TUNER (RF)	C 0831	87-A12-092-080	0E	CAP,E 22-50 SMG	EZSFD	CX-NSZ500
O	TUNER (RF)	C 0842	87-012-286-080		C-CAP,U 0.01-25 K B	LHSFD	CX-NSZ500
O	TUNER (RF)	C 0842	87-012-286-080	0E	C-CAP,U 0.01-25 K B	USFD	CX-NAJ500
O	TUNER (RF)	C 0842	87-012-286-080	0E	C-CAP,U 0.01-25 K B	USFD	CX-NAJ503
O	TUNER (RF)	C 0842	87-012-286-080	0E	C-CAP,U 0.01-25 K B	EZSFD	CX-NSZ500
X	TUNER (RF)	C 0843	88-108-000-080		C-JUMPER,U	LHSFD	CX-NSZ500
X	TUNER (RF)	C 0843	88-108-000-080	0E	C-JUMPER,U	USFD	CX-NAJ500
X	TUNER (RF)	C 0843	88-108-000-080	0E	C-JUMPER,U	USFD	CX-NAJ503
X	TUNER (RF)	C 0843	88-108-000-080	0E	C-JUMPER,U	EZSFD	CX-NSZ500
O	TUNER (RF)	C 0844	87-012-286-080		C-CAP,U 0.01-25 K B	LHSFD	CX-NSZ500
O	TUNER (RF)	C 0844	87-012-286-080	0E	C-CAP,U 0.01-25 K B	USFD	CX-NAJ500
O	TUNER (RF)	C 0844	87-012-286-080	0E	C-CAP,U 0.01-25 K B	USFD	CX-NAJ503
O	TUNER (RF)	C 0844	87-012-286-080	0E	C-CAP,U 0.01-25 K B	EZSFD	CX-NSZ500
X	TUNER (RF)	C 0845	88-108-000-080		C-JUMPER,U	LHSFD	CX-NSZ500
X	TUNER (RF)	C 0845	88-108-000-080	0E	C-JUMPER,U	USFD	CX-NAJ500
X	TUNER (RF)	C 0845	88-108-000-080	0E	C-JUMPER,U	USFD	CX-NAJ503
X	TUNER (RF)	C 0845	88-108-000-080	0E	C-JUMPER,U	EZSFD	CX-NSZ500
X	TUNER (RF)	C 0846	88-108-000-080		C-JUMPER,U	LHSFD	CX-NSZ500
X	TUNER (RF)	C 0846	88-108-000-080	0E	C-JUMPER,U	USFD	CX-NAJ500
X	TUNER (RF)	C 0846	88-108-000-080	0E	C-JUMPER,U	USFD	CX-NAJ503
X	TUNER (RF)	C 0846	88-108-000-080	0E	C-JUMPER,U	EZSFD	CX-NSZ500
X	TUNER (RF)	C 0847	88-108-000-080		C-JUMPER,U	LHSFD	CX-NSZ500
X	TUNER (RF)	C 0847	88-108-000-080	0E	C-JUMPER,U	USFD	CX-NAJ500
X	TUNER (RF)	C 0847	88-108-000-080	0E	C-JUMPER,U	USFD	CX-NAJ503
X	TUNER (RF)	C 0847	88-108-000-080	0E	C-JUMPER,U	EZSFD	CX-NSZ500
X	TUNER (RF)	C 0848	88-108-000-080		C-JUMPER,U	LHSFD	CX-NSZ500
X	TUNER (RF)	C 0848	88-108-000-080	0E	C-JUMPER,U	USFD	CX-NAJ500
X	TUNER (RF)	C 0848	88-108-000-080	0E	C-JUMPER,U	USFD	CX-NAJ503
X	TUNER (RF)	C 0848	88-108-000-080	0E	C-JUMPER,U	EZSFD	CX-NSZ500
X	TUNER (RF)	C 0849	88-108-000-080		C-JUMPER,U	LHSFD	CX-NSZ500
X	TUNER (RF)	C 0849	88-108-000-080	0E	C-JUMPER,U	USFD	CX-NAJ500
X	TUNER (RF)	C 0849	88-108-000-080	0E	C-JUMPER,U	USFD	CX-NAJ503
X	TUNER (RF)	C 0849	88-108-000-080	0E	C-JUMPER,U	EZSFD	CX-NSZ500
O	TUNER (RF)	C 0850	87-A12-071-080		CAP,E 47-25 SMG	LHSFD	CX-NSZ500
O	TUNER (RF)	C 0850	87-A12-071-080	0E	CAP,E 47-25 SMG	USFD	CX-NAJ500
O	TUNER (RF)	C 0850	87-A12-071-080	0E	CAP,E 47-25 SMG	USFD	CX-NAJ503

PARTS LIST

! = Δ SAFTY PARTS
 C = Components marked

All components used on this model at the production line are shown in this service manual.

However, please note that not all components will be available as spare parts for after-sales service.

Components marked S and O are designated as spare parts for service and will be stocked at the spare parts centers.

Components marked X and R are not designated as spare parts for after sales service, and will not be stocked at the spare parts centers.

K NO. = Only use Japanese.

! C	UNIT NAME	REF NO.	PARTS CODE	K NO.	DESCRIPTION	SUFFIX	MODEL NAME	
O	TUNER (RF)	C 0850	87-A12-071-080	0E	CAP,E 47-25 SMG	EZSFD	CX-NSZ500	
O	TUNER (RF)	C 0851	87-012-286-080		C-CAP,U 0.01-25 K B	LHSFD	CX-NSZ500	
O	TUNER (RF)	C 0851	87-012-286-080	0E	C-CAP,U 0.01-25 K B	USFD	CX-NAJ500	
O	TUNER (RF)	C 0851	87-012-286-080	0E	C-CAP,U 0.01-25 K B	USFD	CX-NAJ503	
O	TUNER (RF)	C 0851	87-012-286-080	0E	C-CAP,U 0.01-25 K B	EZSFD	CX-NSZ500	
O	TUNER (RF)	C 0852	87-012-286-080		C-CAP,U 0.01-25 K B	LHSFD	CX-NSZ500	
O	TUNER (RF)	C 0852	87-012-286-080	0E	C-CAP,U 0.01-25 K B	USFD	CX-NAJ500	
O	TUNER (RF)	C 0852	87-012-286-080	0E	C-CAP,U 0.01-25 K B	USFD	CX-NAJ503	
O	TUNER (RF)	C 0852	87-012-286-080	0E	C-CAP,U 0.01-25 K B	EZSFD	CX-NSZ500	
O	TUNER (RF)	C 0853	87-012-286-080		C-CAP,U 0.01-25 K B	LHSFD	CX-NSZ500	
O	TUNER (RF)	C 0853	87-012-286-080	0E	C-CAP,U 0.01-25 K B	USFD	CX-NAJ500	
O	TUNER (RF)	C 0853	87-012-286-080	0E	C-CAP,U 0.01-25 K B	USFD	CX-NAJ503	
O	TUNER (RF)	C 0853	87-012-286-080	0E	C-CAP,U 0.01-25 K B	EZSFD	CX-NSZ500	
O	TUNER (RF)	C 0858	87-010-831-080		C-CAP,U 0.1-16 Z F	LHSFD	CX-NSZ500	
O	TUNER (RF)	C 0858	87-010-831-080	0E	C-CAP,U 0.1-16 Z F	USFD	CX-NAJ500	
O	TUNER (RF)	C 0858	87-010-831-080	0E	C-CAP,U 0.1-16 Z F	USFD	CX-NAJ503	
O	TUNER (RF)	C 0858	87-010-831-080	0E	C-CAP,U 0.1-16 Z F	EZSFD	CX-NSZ500	
O	TUNER (RF)	C 0859	87-010-831-080	0E	C-CAP,U 0.1-16 Z F	EZSFD	CX-NSZ500	
O	TUNER (RF)	C 0860	87-012-286-080	0E	C-CAP,U 0.01-25 K B	EZSFD	CX-NSZ500	
O	TUNER (RF)	C 0940	87-012-286-080	0E	C-CAP,U 0.01-25 K B	EZSFD	CX-NSZ500	
X	TUNER (RF)	C 0940	88-108-000-080		C-JUMPER,U	LHSFD	CX-NSZ500	
X	TUNER (RF)	C 0940	88-108-000-080	0E	C-JUMPER,U	USFD	CX-NAJ500	
X	TUNER (RF)	C 0940	88-108-000-080	0E	C-JUMPER,U	USFD	CX-NAJ503	
O	TUNER (RF)	C 0942	87-012-165-080	0E	C-CAP,U 3P-50 C CH	EZSFD	CX-NSZ500	
O	TUNER (RF)	C 0947	87-012-286-080	0E	C-CAP,U 0.01-25 K B	EZSFD	CX-NSZ500	
O	TUNER (RF)	C 0948	87-A10-039-080	0E	C-CAP,U 470P-50 J CH	EZSFD	CX-NSZ500	
O	TUNER (RF)	C 0952	87-012-286-080	0E	C-CAP,U 0.01-25 K B	EZSFD	CX-NSZ500	
O	TUNER (RF)	C 0957	87-012-174-080	0E	C-CAP,U 12P-50 J CH	EZSFD	CX-NSZ500	
O	TUNER (RF)	C 0958	87-012-286-080	0E	C-CAP,U 0.01-25 K B	EZSFD	CX-NSZ500	
O	TUNER (RF)	C 0959	87-010-831-080		C-CAP,U 0.1-16 Z F	LHSFD	CX-NSZ500	
O	TUNER (RF)	C 0959	87-010-831-080	0E	C-CAP,U 0.1-16 Z F	USFD	CX-NAJ500	
O	TUNER (RF)	C 0959	87-010-831-080	0E	C-CAP,U 0.1-16 Z F	USFD	CX-NAJ503	
O	TUNER (RF)	C 0959	87-010-831-080	0E	C-CAP,U 0.1-16 Z F	EZSFD	CX-NSZ500	
O	TUNER (RF)	C 0960	87-010-831-080		C-CAP,U 0.1-16 Z F	LHSFD	CX-NSZ500	
O	TUNER (RF)	C 0960	87-010-831-080	0E	C-CAP,U 0.1-16 Z F	USFD	CX-NAJ500	
O	TUNER (RF)	C 0960	87-010-831-080	0E	C-CAP,U 0.1-16 Z F	USFD	CX-NAJ503	
O	TUNER (RF)	C 0960	87-010-831-080	0E	C-CAP,U 0.1-16 Z F	EZSFD	CX-NSZ500	
O	TUNER (RF)	C 0961	87-012-167-080		C-CAP,U 5P-50 C CH	LHSFD	CX-NSZ500	
O	TUNER (RF)	C 0961	87-012-167-080	0E	C-CAP,U 5P-50 C CH	USFD	CX-NAJ500	
O	TUNER (RF)	C 0961	87-012-167-080	0E	C-CAP,U 5P-50 C CH	USFD	CX-NAJ503	
O	TUNER (RF)	C 0962	87-A12-087-080	0E	CAP,E 1-50 SMG	EZSFD	CX-NSZ500	
O	TUNER (RF)	C 0963	87-015-785-080		C-CAP, 0.1-25 Z F C3216	LHSFD	CX-NSZ500	
O	TUNER (RF)	C 0963	87-015-785-080	0E	C-CAP, 0.1-25 Z F C3216	USFD	CX-NAJ500	
O	TUNER (RF)	C 0963	87-015-785-080	0E	C-CAP, 0.1-25 Z F C3216	USFD	CX-NAJ503	
O	TUNER (RF)	C 0963	87-015-785-080	0E	C-CAP, 0.1-25 Z F C3216	EZSFD	CX-NSZ500	
O	TUNER (RF)	CF 0831	87-008-261-010		FLTR,CF SFE10.7MA5	LHSFD	CX-NSZ500	
O	TUNER (RF)	CF 0831	87-008-261-010	1A	FLTR,CF SFE10.7MA5	USFD	CX-NAJ500	
O	TUNER (RF)	CF 0831	87-008-261-010	1A	FLTR,CF SFE10.7MA5	USFD	CX-NAJ503	
O	TUNER (RF)	CF 0831	87-008-423-010	1A	FLTR,CF SFE10.7MS3G-A	EZSFD	CX-NSZ500	
O	TUNER (RF)	CF 0832	82-785-747-010	1A	CF,MS2 GHY,R	EZSFD	CX-NSZ500	
O	TUNER (RF)	CF 0832	87-008-261-010		FLTR,CF SFE10.7MA5	LHSFD	CX-NSZ500	
O	TUNER (RF)	CF 0832	87-008-261-010	1A	FLTR,CF SFE10.7MA5	USFD	CX-NAJ500	
O	TUNER (RF)	CF 0832	87-008-261-010	1A	FLTR,CF SFE10.7MA5	USFD	CX-NAJ503	
S	TUNER (RF)	D 0942	87-A40-270-080	0E	C-DIODE,MC2838	EZSFD	CX-NSZ500	
S	TUNER (RF)	D 0944	87-A40-291-080	0E	DIODE,1N4148M (CPT)	EZSFD	CX-NSZ500	
X	TUNER (RF)	D 0944	88-100-000-010		PLATING-JW, 0.58 SN95	LHSFD	CX-NSZ500	
X	TUNER (RF)	D 0944	88-100-000-010	0E	PLATING-JW, 0.58 SN95	USFD	CX-NAJ500	
X	TUNER (RF)	D 0944	88-100-000-010	0E	PLATING-JW, 0.58 SN95	USFD	CX-NAJ503	
O	TUNER (RF)	FFE0831	A8-6ZA-19M-030	--	6ZA-1 YFEMENM	EZSFD	CX-NSZ500	
!	O	TUNER (RF)	J 0831	87-A60-202-010		TERMINAL,ANT 4P MSP-154V-02	LHSFD	CX-NSZ500
!	O	TUNER (RF)	J 0831	87-A60-202-010	1A	TERMINAL,ANT 4P MSP-154V-02	USFD	CX-NAJ500
!	O	TUNER (RF)	J 0831	87-A60-202-010	1A	TERMINAL,ANT 4P MSP-154V-02	USFD	CX-NAJ503
O	TUNER (RF)	J 0832	87-A60-403-010	1A	TERMINAL,ANT PAL 2P HSP-312V05	EZSFD	CX-NSZ500	
X	TUNER (RF)	JR 0834	88-108-000-080		C-JUMPER,U	LHSFD	CX-NSZ500	
X	TUNER (RF)	JR 0834	88-108-000-080	0E	C-JUMPER,U	USFD	CX-NAJ500	
X	TUNER (RF)	JR 0834	88-108-000-080	0E	C-JUMPER,U	USFD	CX-NAJ503	
X	TUNER (RF)	JR 0834	88-108-000-080	0E	C-JUMPER,U	EZSFD	CX-NSZ500	
X	TUNER (RF)	JR 0835	88-108-000-080	0E	C-JUMPER,U	EZSFD	CX-NSZ500	
X	TUNER (RF)	JR 0835	88-108-561-080		C-RES,U 560-1/16W J	LHSFD	CX-NSZ500	
X	TUNER (RF)	JR 0835	88-108-561-080	0E	C-RES,U 560-1/16W J	USFD	CX-NAJ500	

PARTS LIST

! = Δ SAFTY PARTS
 C = Components marked

All components used on this model at the production line are shown in this service manual.

However, please note that not all components will be available as spare parts for after-sales service.

Components marked S and O are designated as spare parts for service and will be stocked at the spare parts centers.

Components marked X and R are not designated as spare parts for after sales service, and will not be stocked at the spare parts centers.

K NO. = Only use Japanese.

! C	UNIT NAME	REF NO.	PARTS CODE	K NO.	DESCRIPTION	SUFFIX	MODEL NAME
X	TUNER (RF)	JR 0835	88-108-561-080	0E	C-RES, U 560-1/16W J	USFD	CX-NAJ503
X	TUNER (RF)	JR 0851	88-129-000-080		C-JUMPER, 3216	LHSFD	CX-NSZ500
X	TUNER (RF)	JR 0851	88-129-000-080	0E	C-JUMPER, 3216	USFD	CX-NAJ500
X	TUNER (RF)	JR 0851	88-129-000-080	0E	C-JUMPER, 3216	USFD	CX-NAJ503
X	TUNER (RF)	JR 0851	88-129-000-080	0E	C-JUMPER, 3216	EZSFD	CX-NSZ500
X	TUNER (RF)	JR 0942	88-108-000-080	0E	C-JUMPER, U	EZSFD	CX-NSZ500
X	TUNER (RF)	JR 0943	88-108-000-080		C-JUMPER, U	LHSFD	CX-NSZ500
X	TUNER (RF)	JR 0943	88-108-000-080	0E	C-JUMPER, U	USFD	CX-NAJ500
X	TUNER (RF)	JR 0943	88-108-000-080	0E	C-JUMPER, U	USFD	CX-NAJ503
X	TUNER (RF)	JR 0944	88-108-000-080	0E	C-JUMPER, U	EZSFD	CX-NSZ500
X	TUNER (RF)	JR 0946	88-108-000-080		C-JUMPER, U	LHSFD	CX-NSZ500
X	TUNER (RF)	JR 0946	88-108-000-080	0E	C-JUMPER, U	USFD	CX-NAJ500
X	TUNER (RF)	JR 0946	88-108-000-080	0E	C-JUMPER, U	USFD	CX-NAJ503
X	TUNER (RF)	JR 0947	88-108-000-080	0E	C-JUMPER, U	EZSFD	CX-NSZ500
X	TUNER (RF)	JR 0948	88-108-000-080	0E	C-JUMPER, U	EZSFD	CX-NSZ500
X	TUNER (RF)	JR 0950	88-108-000-080	0E	C-JUMPER, U	EZSFD	CX-NSZ500
X	TUNER (RF)	JR 0951	88-108-000-080		C-JUMPER, U	LHSFD	CX-NSZ500
X	TUNER (RF)	JR 0951	88-108-000-080	0E	C-JUMPER, U	USFD	CX-NAJ500
X	TUNER (RF)	JR 0951	88-108-000-080	0E	C-JUMPER, U	USFD	CX-NAJ503
X	TUNER (RF)	JR 0952	88-108-000-080		C-JUMPER, U	LHSFD	CX-NSZ500
X	TUNER (RF)	JR 0952	88-108-000-080	0E	C-JUMPER, U	USFD	CX-NAJ500
X	TUNER (RF)	JR 0952	88-108-000-080	0E	C-JUMPER, U	USFD	CX-NAJ503
X	TUNER (RF)	JR 0952	88-108-000-080	0E	C-JUMPER, U	EZSFD	CX-NSZ500
X	TUNER (RF)	JR 0954	88-108-000-080		C-JUMPER, U	LHSFD	CX-NSZ500
X	TUNER (RF)	JR 0954	88-108-000-080	0E	C-JUMPER, U	USFD	CX-NAJ500
X	TUNER (RF)	JR 0954	88-108-000-080	0E	C-JUMPER, U	USFD	CX-NAJ503
X	TUNER (RF)	JR 0955	88-108-000-080		C-JUMPER, U	LHSFD	CX-NSZ500
X	TUNER (RF)	JR 0955	88-108-000-080	0E	C-JUMPER, U	USFD	CX-NAJ500
X	TUNER (RF)	JR 0955	88-108-000-080	0E	C-JUMPER, U	USFD	CX-NAJ503
X	TUNER (RF)	JR 0956	88-108-000-080	0E	C-JUMPER, U	EZSFD	CX-NSZ500
X	TUNER (RF)	JR 0958	88-108-000-080	0E	C-JUMPER, U	EZSFD	CX-NSZ500
X	TUNER (RF)	JR 0962	88-108-000-080	0E	C-JUMPER, U	EZSFD	CX-NSZ500
X	TUNER (RF)	JR 0963	88-108-000-080	0E	C-JUMPER, U	EZSFD	CX-NSZ500
X	TUNER (RF)	JR 0964	88-129-000-080		C-JUMPER, 3216	LHSFD	CX-NSZ500
X	TUNER (RF)	JR 0964	88-129-000-080	0E	C-JUMPER, 3216	USFD	CX-NAJ500
X	TUNER (RF)	JR 0964	88-129-000-080	0E	C-JUMPER, 3216	USFD	CX-NAJ503
O	TUNER (RF)	L 0832	87-005-847-080		COIL, 2.2UH K CECS	LHSFD	CX-NSZ500
O	TUNER (RF)	L 0832	87-005-847-080	0E	COIL, 2.2UH K CECS	USFD	CX-NAJ500
O	TUNER (RF)	L 0832	87-005-847-080	0E	COIL, 2.2UH K CECS	USFD	CX-NAJ503
O	TUNER (RF)	L 0832	87-005-847-080	0E	COIL, 2.2UH K CECS	EZSFD	CX-NSZ500
O	TUNER (RF)	L 0941	87-A50-020-010	0E	COIL, ANT LW (COI) 252KHZ	EZSFD	CX-NSZ500
O	TUNER (RF)	L 0942	87-A50-019-010	0E	COIL, OSC LW (COI) 856KHZ	EZSFD	CX-NSZ500
O	TUNER (RF)	L 0951	8A-NF8-667-010		COIL, AM PACK 4 (TOK)	LHSFD	CX-NSZ500
O	TUNER (RF)	L 0951	8A-NF8-667-010	1C	COIL, AM PACK 4 (TOK)	USFD	CX-NAJ500
O	TUNER (RF)	L 0951	8A-NF8-667-010	1C	COIL, AM PACK 4 (TOK)	USFD	CX-NAJ503
O	TUNER (RF)	L 0951	8A-NF8-668-010	1C	COIL, AM PACK 2 (TOK)	EZSFD	CX-NSZ500
S	TUNER (RF)	Q 0835	89-327-143-080		C-TR, 2SC27140	LHSFD	CX-NSZ500
S	TUNER (RF)	Q 0835	89-327-143-080	0E	C-TR, 2SC27140	USFD	CX-NAJ500
S	TUNER (RF)	Q 0835	89-327-143-080	0E	C-TR, 2SC27140	USFD	CX-NAJ503
S	TUNER (RF)	Q 0835	89-327-143-080	0E	C-TR, 2SC27140	EZSFD	CX-NSZ500
S	TUNER (RF)	Q 0836	87-A30-489-080		C-TR, KRA107S	LHSFD	CX-NSZ500
S	TUNER (RF)	Q 0836	87-A30-489-080	0E	C-TR, KRA107S	USFD	CX-NAJ500
S	TUNER (RF)	Q 0836	87-A30-489-080	0E	C-TR, KRA107S	USFD	CX-NAJ503
S	TUNER (RF)	Q 0836	87-A30-489-080	0E	C-TR, KRA107S	EZSFD	CX-NSZ500
S	TUNER (RF)	Q 0948	87-A30-086-040	0E	C-TR, CSD1306E	EZSFD	CX-NSZ500
S	TUNER (RF)	Q 0951	87-A30-484-080	0E	C-TR, KRA102S	EZSFD	CX-NSZ500
S	TUNER (RF)	Q 0952	87-A30-086-040	0E	C-TR, CSD1306E	EZSFD	CX-NSZ500
S	TUNER (RF)	Q 0953	89-503-602-080	1A	C-FET, 2SK360E	EZSFD	CX-NSZ500
X	TUNER (RF)	R 0832	88-108-391-080		C-RES, U 390-1/16W J	LHSFD	CX-NSZ500
X	TUNER (RF)	R 0832	88-108-391-080	0E	C-RES, U 390-1/16W J	USFD	CX-NAJ500
X	TUNER (RF)	R 0832	88-108-391-080	0E	C-RES, U 390-1/16W J	USFD	CX-NAJ503
X	TUNER (RF)	R 0832	88-108-391-080	0E	C-RES, U 390-1/16W J	EZSFD	CX-NSZ500
X	TUNER (RF)	R 0836	88-108-102-080		C-RES, U 1K-1/16W J	LHSFD	CX-NSZ500
X	TUNER (RF)	R 0836	88-108-102-080	0E	C-RES, U 1K-1/16W J	USFD	CX-NAJ500
X	TUNER (RF)	R 0836	88-108-102-080	0E	C-RES, U 1K-1/16W J	USFD	CX-NAJ503
X	TUNER (RF)	R 0836	88-108-102-080	0E	C-RES, U 1K-1/16W J	EZSFD	CX-NSZ500
X	TUNER (RF)	R 0839	88-108-151-080	0E	C-RES, U 150-1/16W J	EZSFD	CX-NSZ500
X	TUNER (RF)	R 0840	88-108-221-080		C-RES, U 220-1/16W J	LHSFD	CX-NSZ500
X	TUNER (RF)	R 0840	88-108-221-080	0E	C-RES, U 220-1/16W J	USFD	CX-NAJ500
X	TUNER (RF)	R 0840	88-108-221-080	0E	C-RES, U 220-1/16W J	USFD	CX-NAJ503

PARTS LIST

! = Δ SAFTY PARTS
 C = Components marked

All components used on this model at the production line are shown in this service manual.

However, please note that not all components will be available as spare parts for after-sales service.

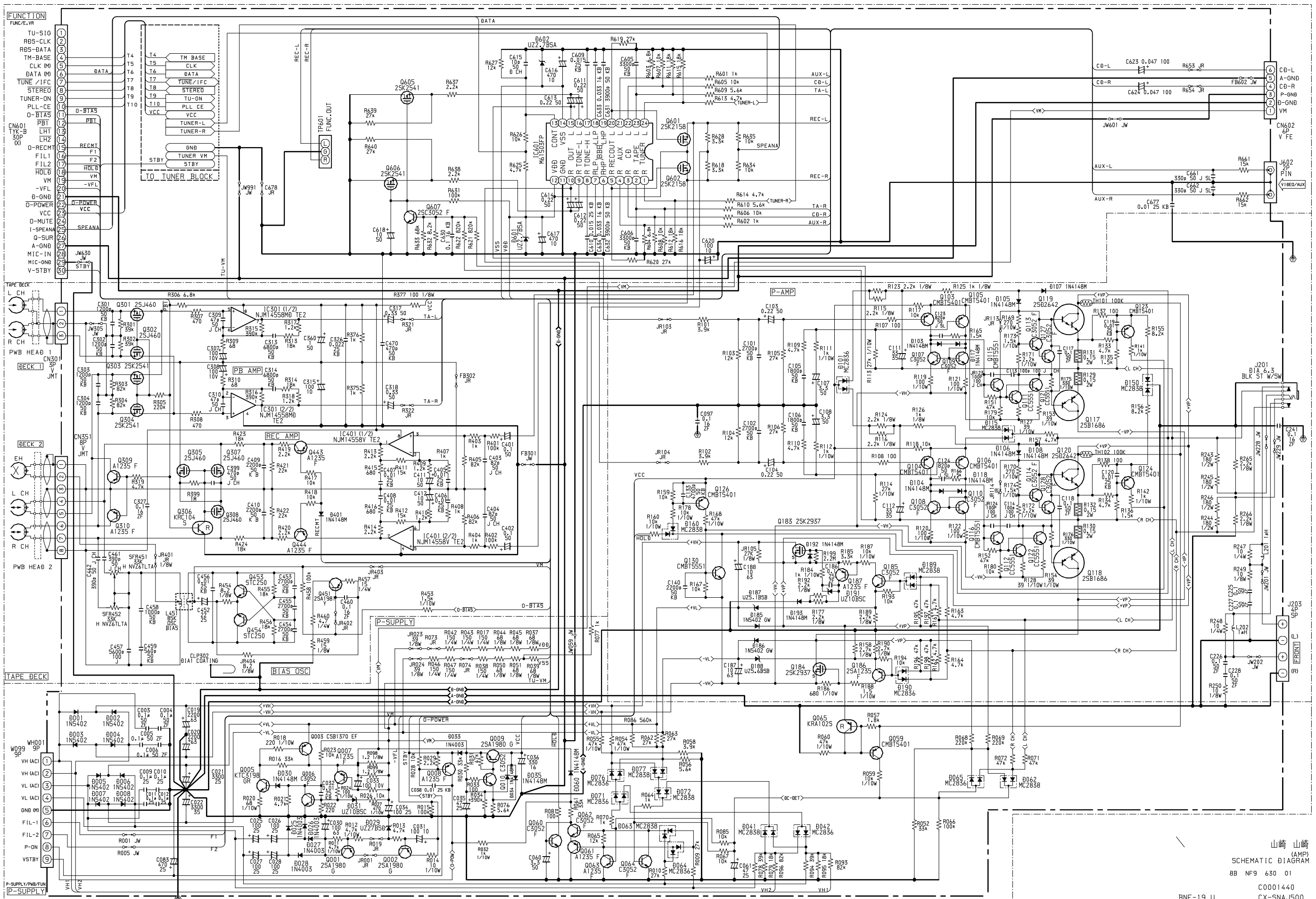
Components marked S and O are designated as spare parts for service and will be stocked at the spare parts centers.

Components marked X and R are not designated as spare parts for after sales service, and will not be stocked at the spare parts centers.

K NO. = Only use Japanese.

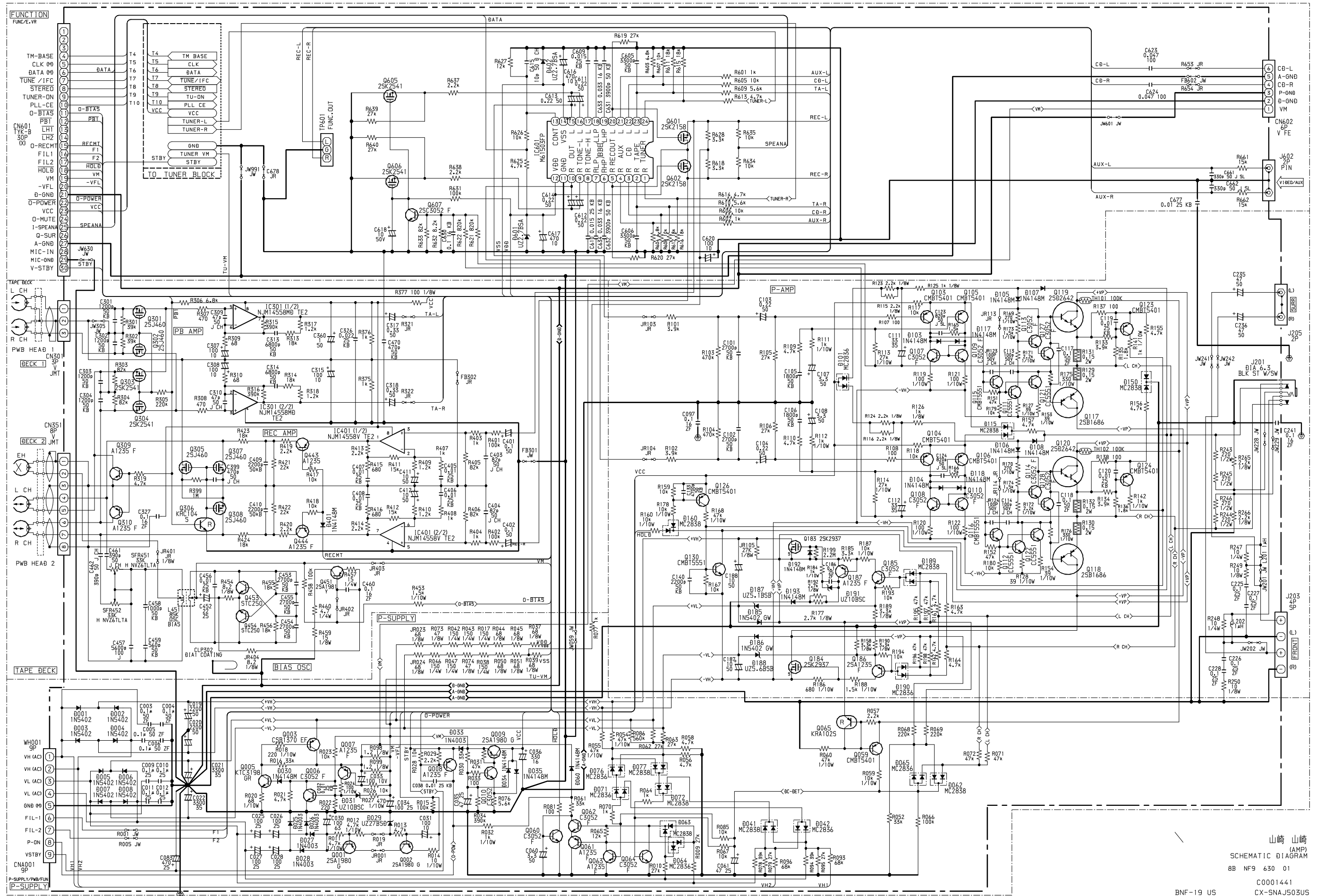
! C	UNIT NAME	REF NO.	PARTS CODE	K NO.	DESCRIPTION	SUFFIX	MODEL NAME
X	TUNER (RF)	R 0840	88-108-221-080	0E	C-RES,U 220-1/16W J	EZSFD	CX-NSZ500
X	TUNER (RF)	R 0850	88-108-103-080		C-RES,U 10K-1/16W J	LHSFD	CX-NSZ500
X	TUNER (RF)	R 0850	88-108-103-080	0E	C-RES,U 10K-1/16W J	USFD	CX-NAJ500
X	TUNER (RF)	R 0850	88-108-103-080	0E	C-RES,U 10K-1/16W J	USFD	CX-NAJ503
X	TUNER (RF)	R 0850	88-108-103-080	0E	C-RES,U 10K-1/16W J	EZSFD	CX-NSZ500
X	TUNER (RF)	R 0851	88-108-000-080		C-JUMPER,U	LHSFD	CX-NSZ500
X	TUNER (RF)	R 0851	88-108-000-080	0E	C-JUMPER,U	USFD	CX-NAJ500
X	TUNER (RF)	R 0851	88-108-000-080	0E	C-JUMPER,U	USFD	CX-NAJ503
X	TUNER (RF)	R 0851	88-118-470-080	0E	C-RES,S 47-1/10W J	EZSFD	CX-NSZ500
X	TUNER (RF)	R 0852	88-108-103-080		C-RES,U 10K-1/16W J	LHSFD	CX-NSZ500
X	TUNER (RF)	R 0852	88-108-103-080	0E	C-RES,U 10K-1/16W J	USFD	CX-NAJ500
X	TUNER (RF)	R 0852	88-108-103-080	0E	C-RES,U 10K-1/16W J	USFD	CX-NAJ503
X	TUNER (RF)	R 0853	88-108-102-080		C-RES,U 1K-1/16W J	LHSFD	CX-NSZ500
X	TUNER (RF)	R 0853	88-108-102-080	0E	C-RES,U 1K-1/16W J	USFD	CX-NAJ500
X	TUNER (RF)	R 0853	88-108-102-080	0E	C-RES,U 1K-1/16W J	USFD	CX-NAJ503
X	TUNER (RF)	R 0853	88-108-102-080	0E	C-RES,U 1K-1/16W J	EZSFD	CX-NSZ500
X	TUNER (RF)	R 0854	88-108-331-080		C-RES,U 330-1/16W J	LHSFD	CX-NSZ500
X	TUNER (RF)	R 0854	88-108-331-080	0E	C-RES,U 330-1/16W J	USFD	CX-NAJ500
X	TUNER (RF)	R 0854	88-108-331-080	0E	C-RES,U 330-1/16W J	USFD	CX-NAJ503
X	TUNER (RF)	R 0854	88-108-331-080	0E	C-RES,U 330-1/16W J	EZSFD	CX-NSZ500
X	TUNER (RF)	R 0855	88-108-183-080		C-RES,U 18K-1/16W J	LHSFD	CX-NSZ500
X	TUNER (RF)	R 0855	88-108-183-080	0E	C-RES,U 18K-1/16W J	USFD	CX-NAJ500
X	TUNER (RF)	R 0855	88-108-183-080	0E	C-RES,U 18K-1/16W J	USFD	CX-NAJ503
X	TUNER (RF)	R 0855	88-108-183-080	0E	C-RES,U 18K-1/16W J	EZSFD	CX-NSZ500
X	TUNER (RF)	R 0856	88-108-103-080		C-RES,U 10K-1/16W J	LHSFD	CX-NSZ500
X	TUNER (RF)	R 0856	88-108-103-080	0E	C-RES,U 10K-1/16W J	USFD	CX-NAJ500
X	TUNER (RF)	R 0856	88-108-103-080	0E	C-RES,U 10K-1/16W J	USFD	CX-NAJ503
X	TUNER (RF)	R 0856	88-108-103-080	0E	C-RES,U 10K-1/16W J	EZSFD	CX-NSZ500
X	TUNER (RF)	R 0857	88-108-181-080		C-RES,U 180-1/16W J	LHSFD	CX-NSZ500
X	TUNER (RF)	R 0857	88-108-181-080	0E	C-RES,U 180-1/16W J	USFD	CX-NAJ500
X	TUNER (RF)	R 0857	88-108-181-080	0E	C-RES,U 180-1/16W J	USFD	CX-NAJ503
X	TUNER (RF)	R 0857	88-108-181-080	0E	C-RES,U 180-1/16W J	EZSFD	CX-NSZ500
X	TUNER (RF)	R 0858	88-108-101-080		C-RES,U 100-1/16W J	LHSFD	CX-NSZ500
X	TUNER (RF)	R 0858	88-108-101-080	0E	C-RES,U 100-1/16W J	USFD	CX-NAJ500
X	TUNER (RF)	R 0858	88-108-101-080	0E	C-RES,U 100-1/16W J	USFD	CX-NAJ503
X	TUNER (RF)	R 0858	88-108-101-080	0E	C-RES,U 100-1/16W J	EZSFD	CX-NSZ500
X	TUNER (RF)	R 0860	88-108-101-080		C-RES,U 100-1/16W J	LHSFD	CX-NSZ500
X	TUNER (RF)	R 0860	88-108-101-080	0E	C-RES,U 100-1/16W J	USFD	CX-NAJ500
X	TUNER (RF)	R 0860	88-108-101-080	0E	C-RES,U 100-1/16W J	USFD	CX-NAJ503
X	TUNER (RF)	R 0860	88-108-101-080	0E	C-RES,U 100-1/16W J	EZSFD	CX-NSZ500
X	TUNER (RF)	R 0921	88-108-000-080		C-JUMPER,U	LHSFD	CX-NSZ500
X	TUNER (RF)	R 0921	88-108-000-080	0E	C-JUMPER,U	USFD	CX-NAJ500
X	TUNER (RF)	R 0921	88-108-000-080	0E	C-JUMPER,U	USFD	CX-NAJ503
X	TUNER (RF)	R 0944	88-108-101-080	0E	C-RES,U 100-1/16W J	EZSFD	CX-NSZ500
X	TUNER (RF)	R 0945	88-108-104-080		C-RES,U 100K-1/16W J	LHSFD	CX-NSZ500
X	TUNER (RF)	R 0945	88-108-104-080	0E	C-RES,U 100K-1/16W J	USFD	CX-NAJ500
X	TUNER (RF)	R 0945	88-108-104-080	0E	C-RES,U 100K-1/16W J	USFD	CX-NAJ503
X	TUNER (RF)	R 0945	88-108-104-080	0E	C-RES,U 100K-1/16W J	EZSFD	CX-NSZ500
X	TUNER (RF)	R 0947	88-108-183-080	0E	C-RES,U 18K-1/16W J	EZSFD	CX-NSZ500
X	TUNER (RF)	R 0948	88-108-472-080	0E	C-RES,U 4.7K-1/16W J	EZSFD	CX-NSZ500
X	TUNER (RF)	R 0952	88-108-562-080	0E	C-RES,U 5.6K-1/16W J	EZSFD	CX-NSZ500
X	TUNER (RF)	R 0954	88-108-222-080	0E	C-RES,U 2.2K-1/16W J	EZSFD	CX-NSZ500
X	TUNER (RF)	R 0956	88-108-471-080	0E	C-RES,U 470-1/16W J	EZSFD	CX-NSZ500
X	TUNER (RF)	R 0958	88-108-472-080	0E	C-RES,U 4.7K-1/16W J	EZSFD	CX-NSZ500
X	TUNER (RF)	R 0959	88-108-103-080	0E	C-RES,U 10K-1/16W J	EZSFD	CX-NSZ500
X	TUNER (RF)	R 0962	88-121-221-080		RES,220-1/8W J	LHSFD	CX-NSZ500
X	TUNER (RF)	R 0962	88-121-221-080	0E	RES,220-1/8W J	USFD	CX-NAJ500
X	TUNER (RF)	R 0962	88-121-221-080	0E	RES,220-1/8W J	USFD	CX-NAJ503
X	TUNER (RF)	R 0962	88-121-221-080	0E	RES,220-1/8W J	EZSFD	CX-NSZ500
X	TUNER (RF)	R 0963	88-108-330-080		C-RES,U 33-1/16W J	LHSFD	CX-NSZ500
X	TUNER (RF)	R 0963	88-108-330-080	0E	C-RES,U 33-1/16W J	USFD	CX-NAJ500
X	TUNER (RF)	R 0964	88-108-330-080	0E	C-RES,U 33-1/16W J	EZSFD	CX-NSZ500
X	TUNER (RF)	R 0969	88-108-102-080	0E	C-RES,U 1K-1/16W J	EZSFD	CX-NSZ500
O	TUNER (RF)	TC 0942	87-A91-774-080	0E	TRIMMER, PLY 30P 6.8X5.4 CDYL	EZSFD	CX-NSZ500

SCHEMATIC DIAGRAM - 1 (MAIN) <500U>



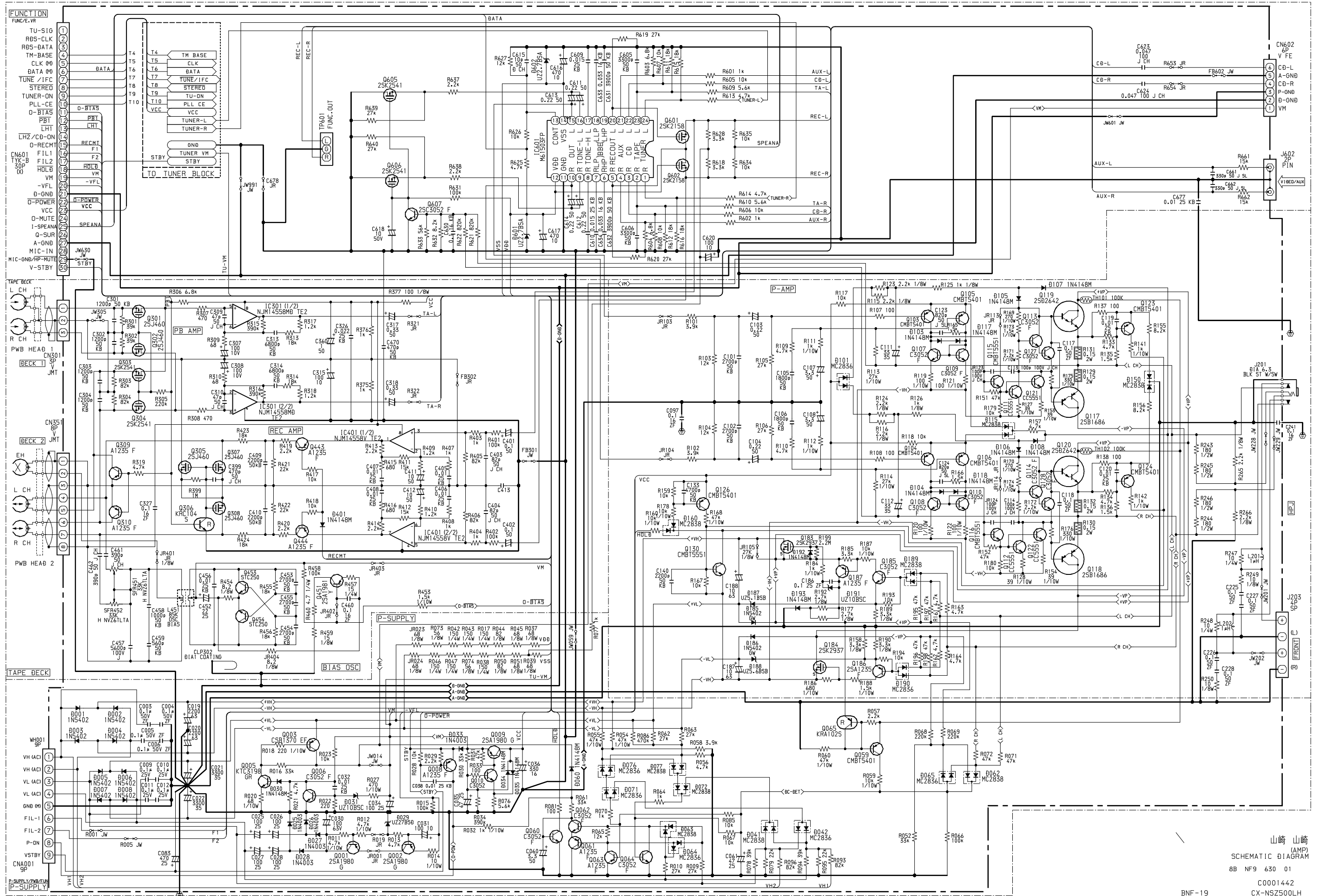
山崎 山崎
 (AMP)
 SCHEMATIC DIAGRAM
 8B NF9 630 01
 C0001440
 BNF-19 U CX-SNAJ500

SCHEMATIC DIAGRAM - 2 (MAIN) <503U>



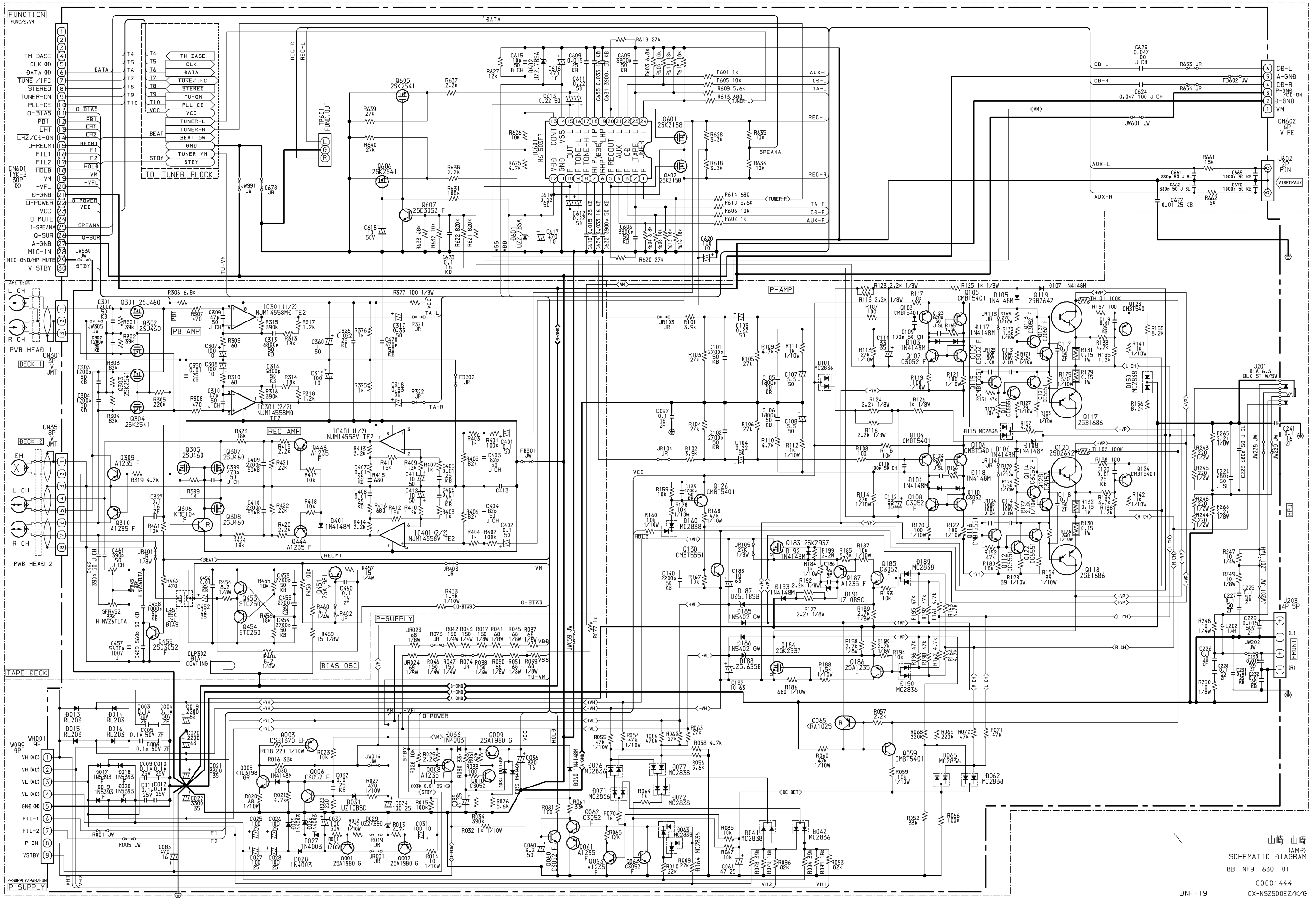
山崎 山崎
 SCHEMATIC DIAGRAM
 8B NF9 630 01
 C0001441
 CX-SNAJ503US
 23 NOV 2000

SCHEMATIC DIAGRAM - 3 (MAIN) <LH>



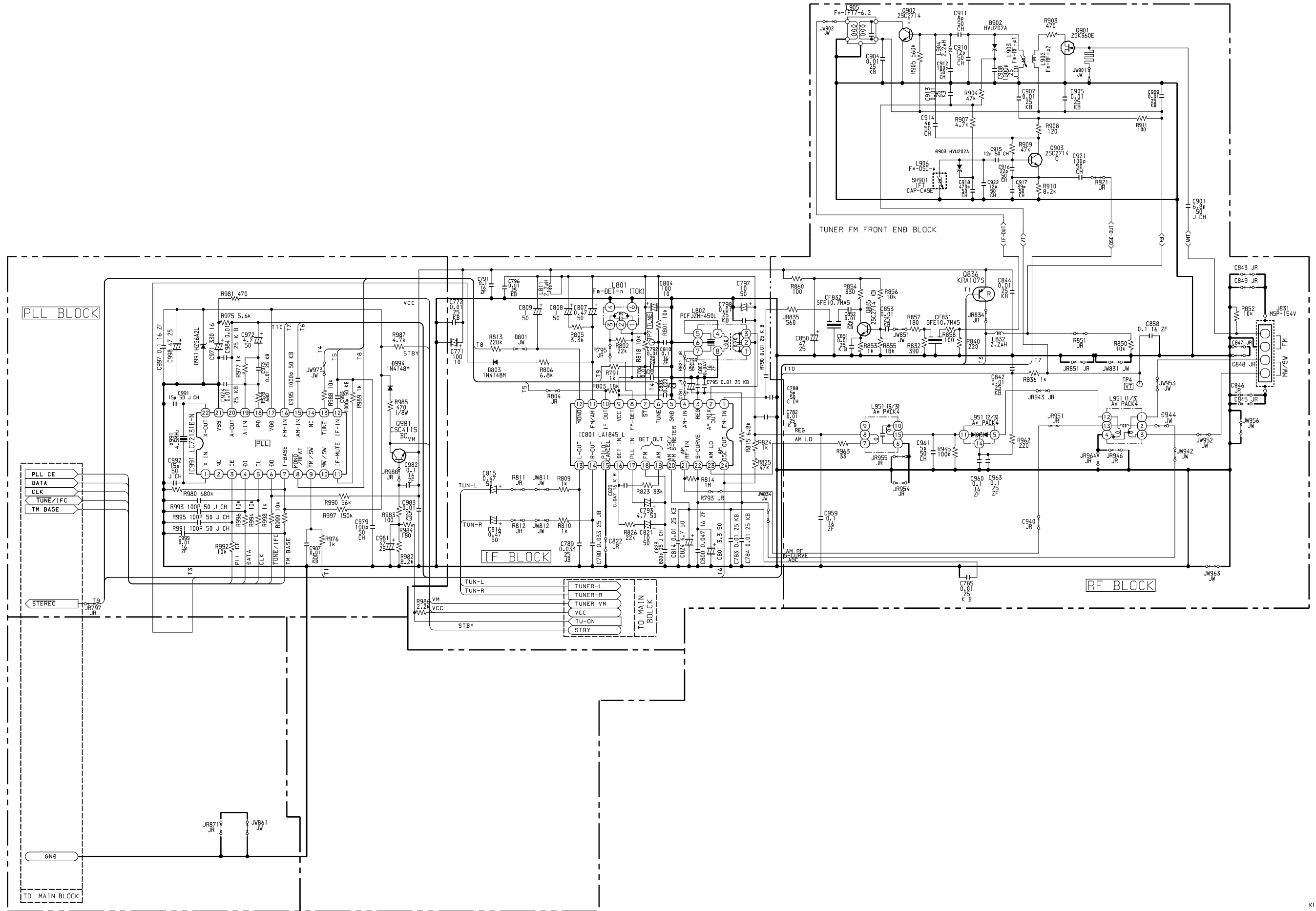
山崎山崎 (AMP)
SCHEMATIC DIAGRAM
8B NF9 630 01
C0001442
CX-NS2500LH
BNF-19

SCHEMATIC DIAGRAM-4 (MAIN) <EZ>

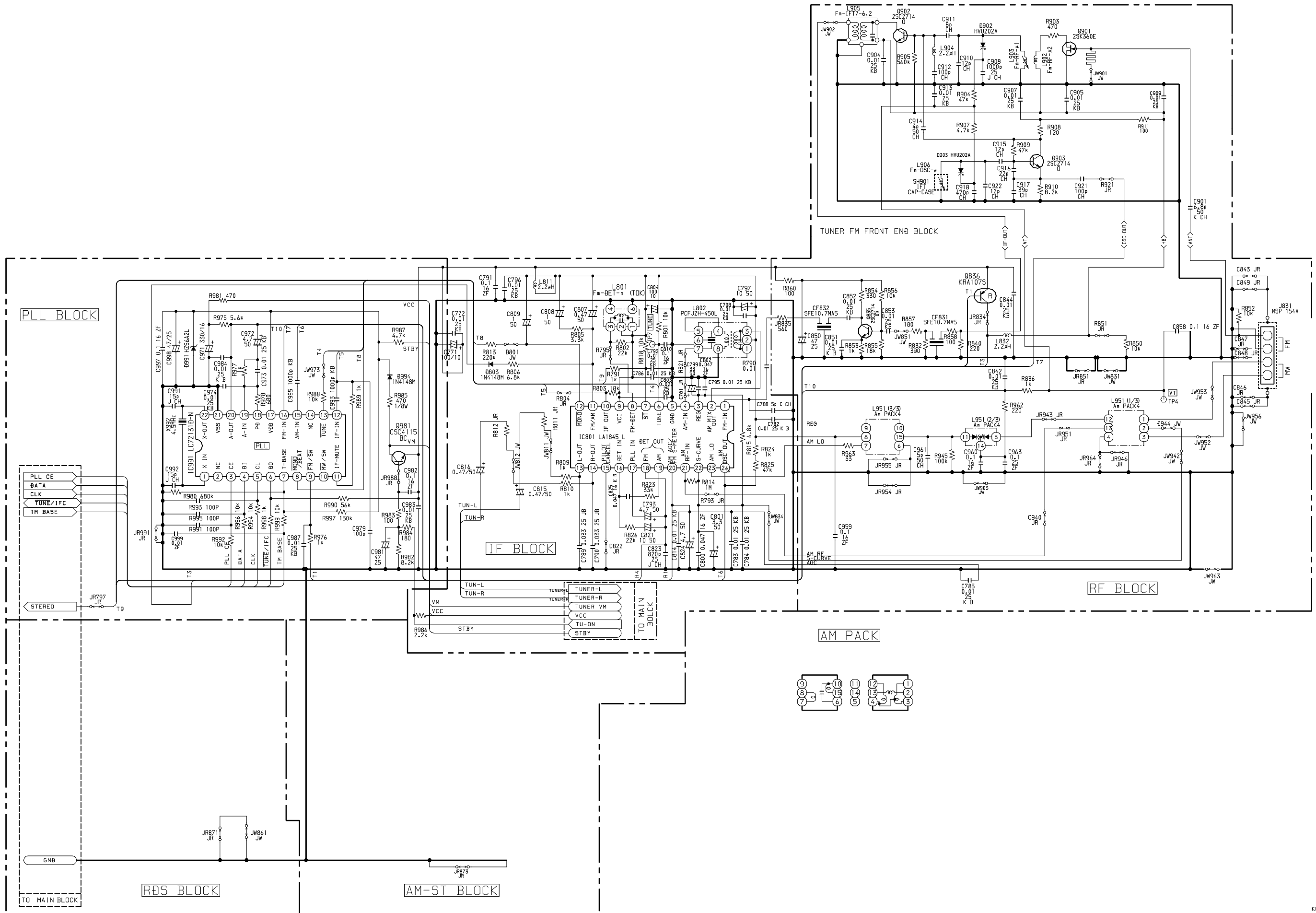


山崎 山崎
 SCHEMATIC DIAGRAM (AMP)
 8B NF9 630 01
 C0001444
 BNF-19 CX-NS250EZ/K/G

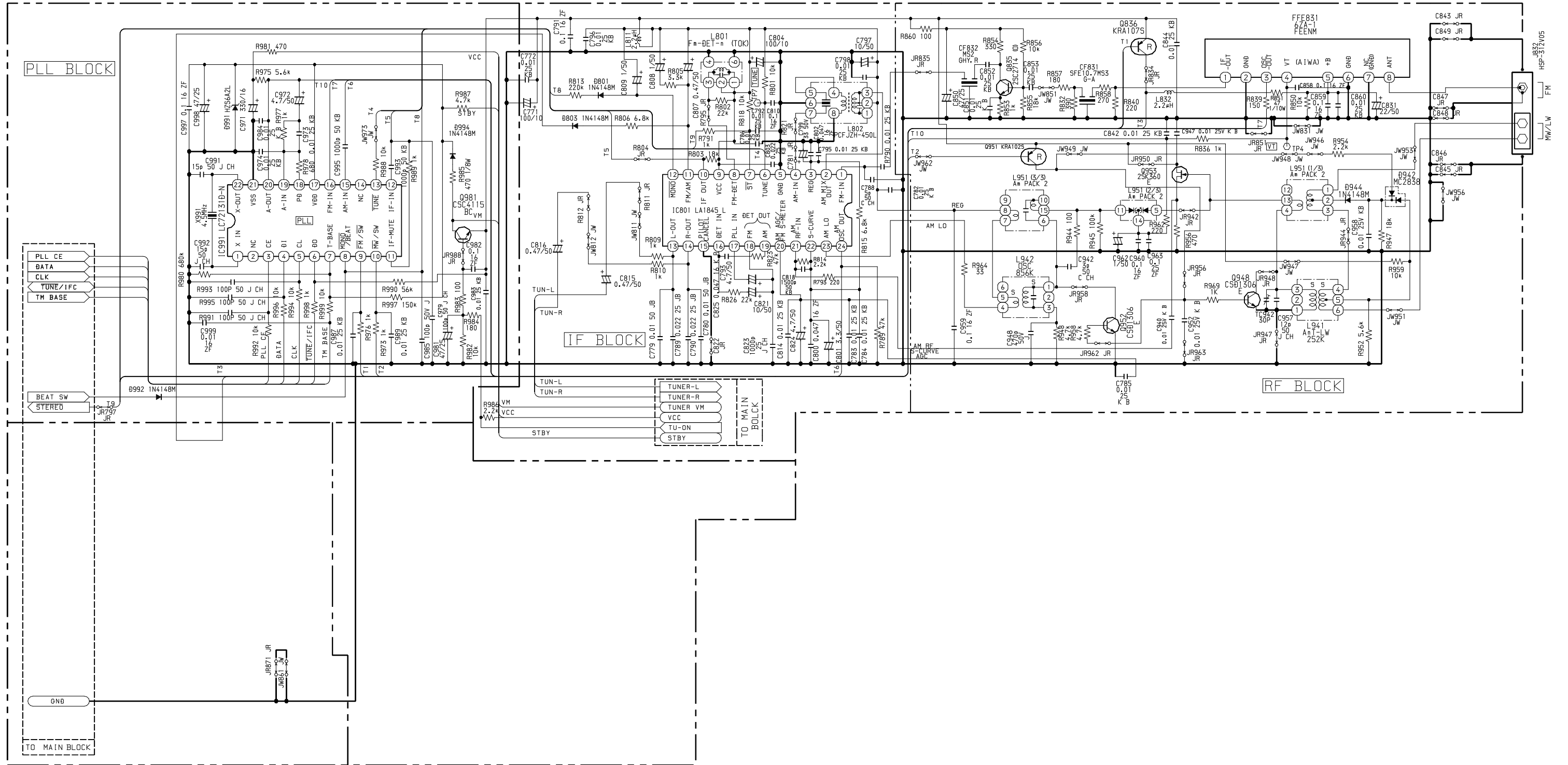
SCHEMATIC DIAGRAM - 5 (TUNER) <U>



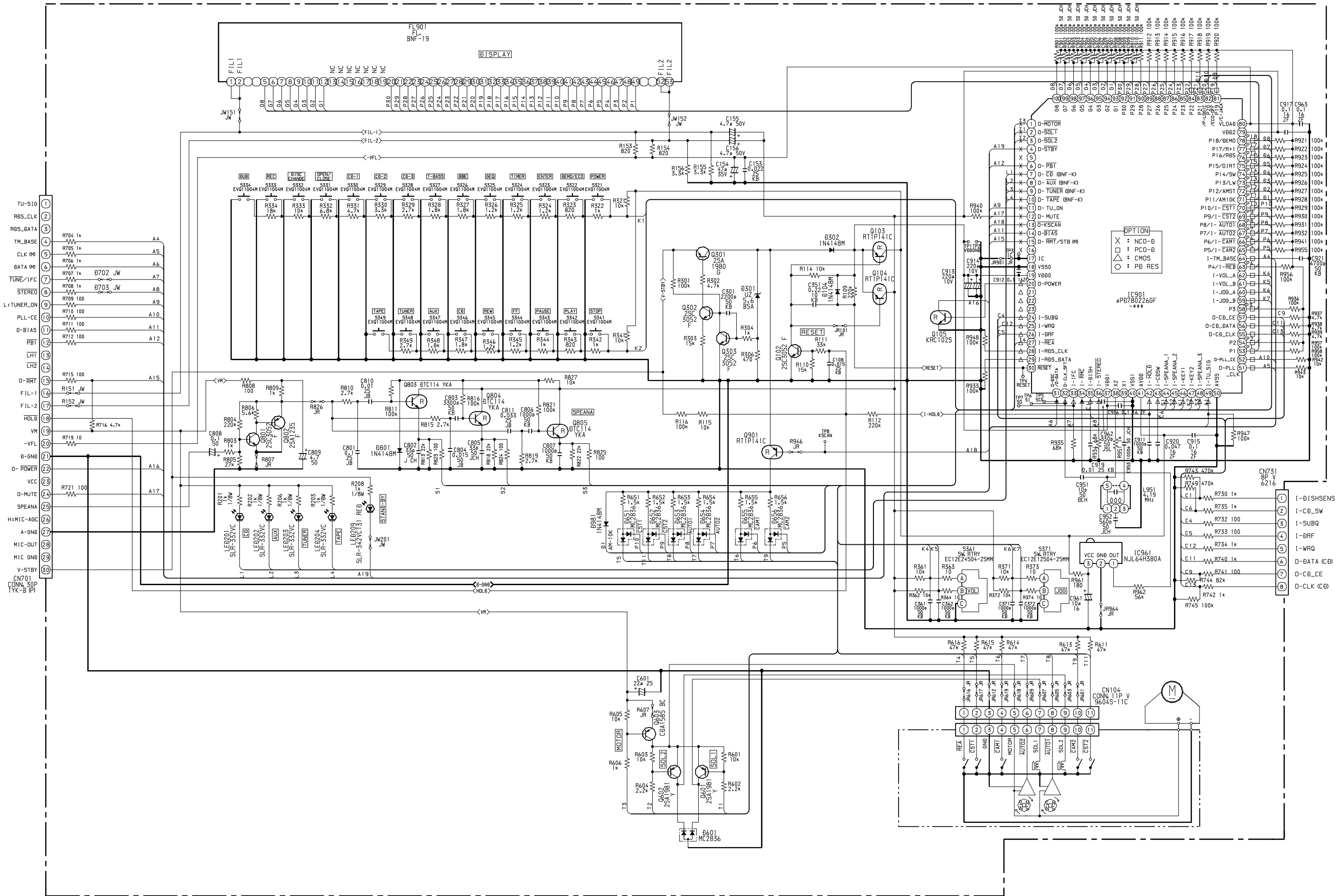
SCHEMATIC DIAGRAM-6 (TUNER) <LH>



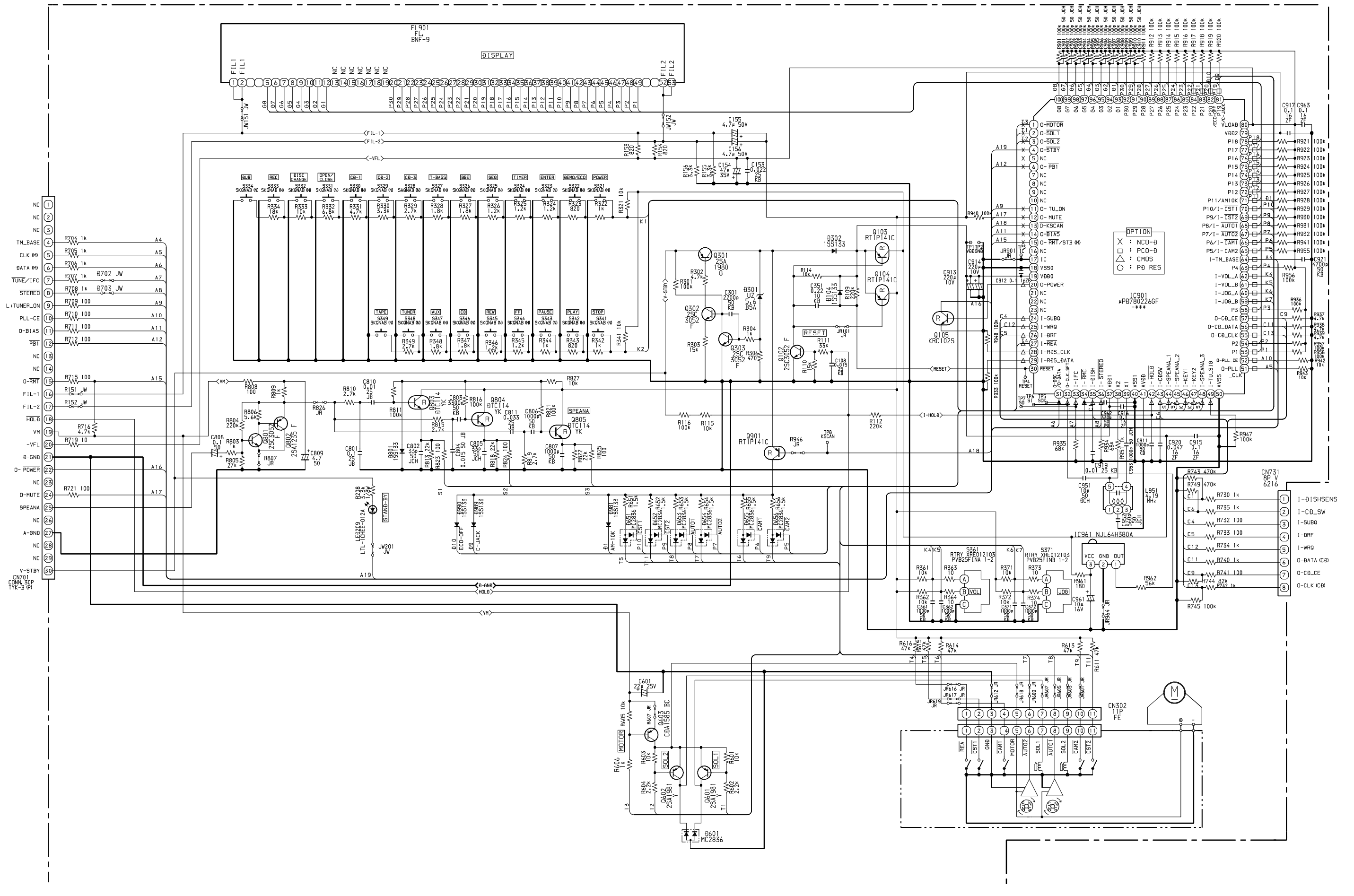
SCHEMATIC DIAGRAM - 7 (TUNER) <EZ>



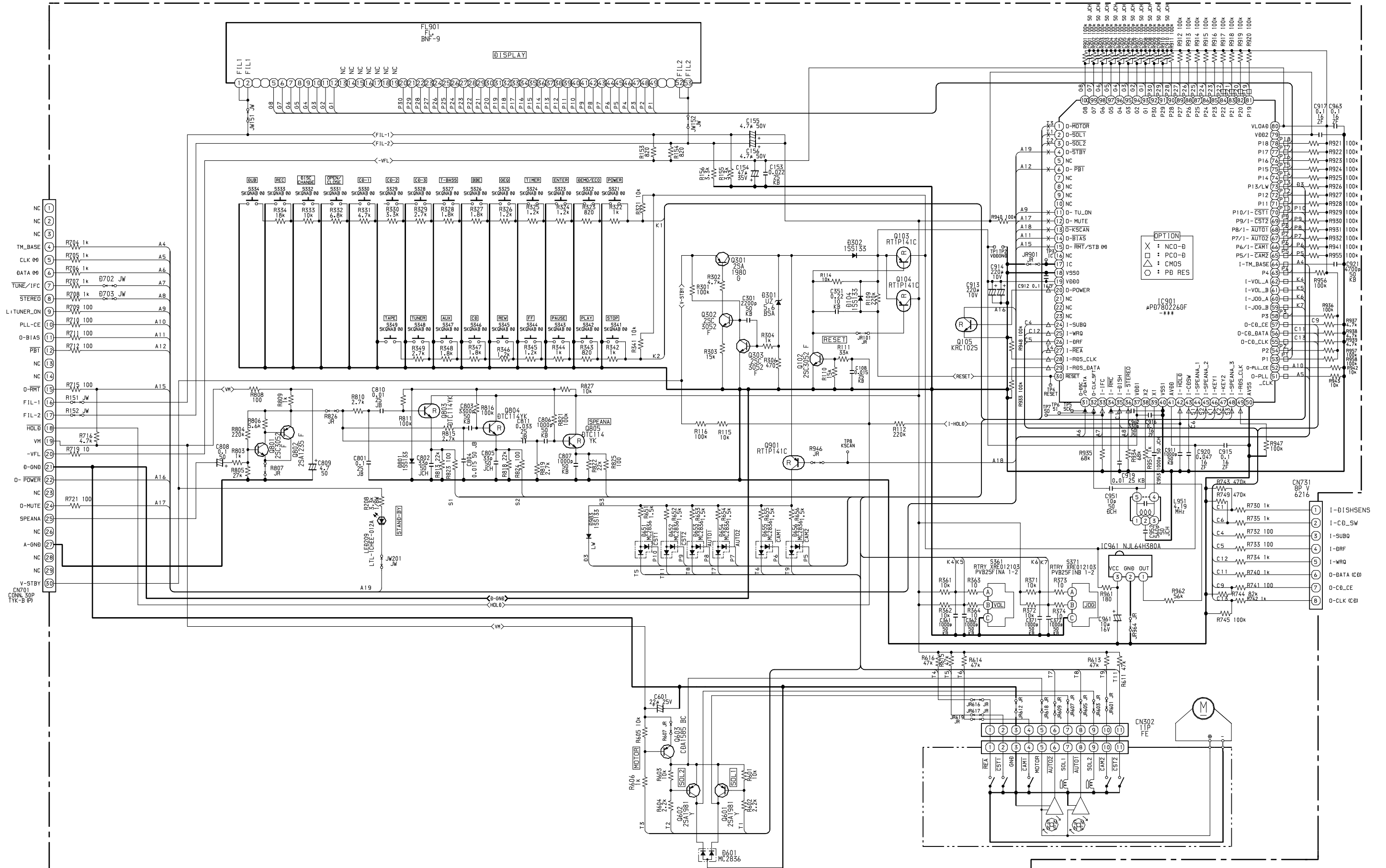
SCHEMATIC DIAGRAM-8 (FRONT) <U>

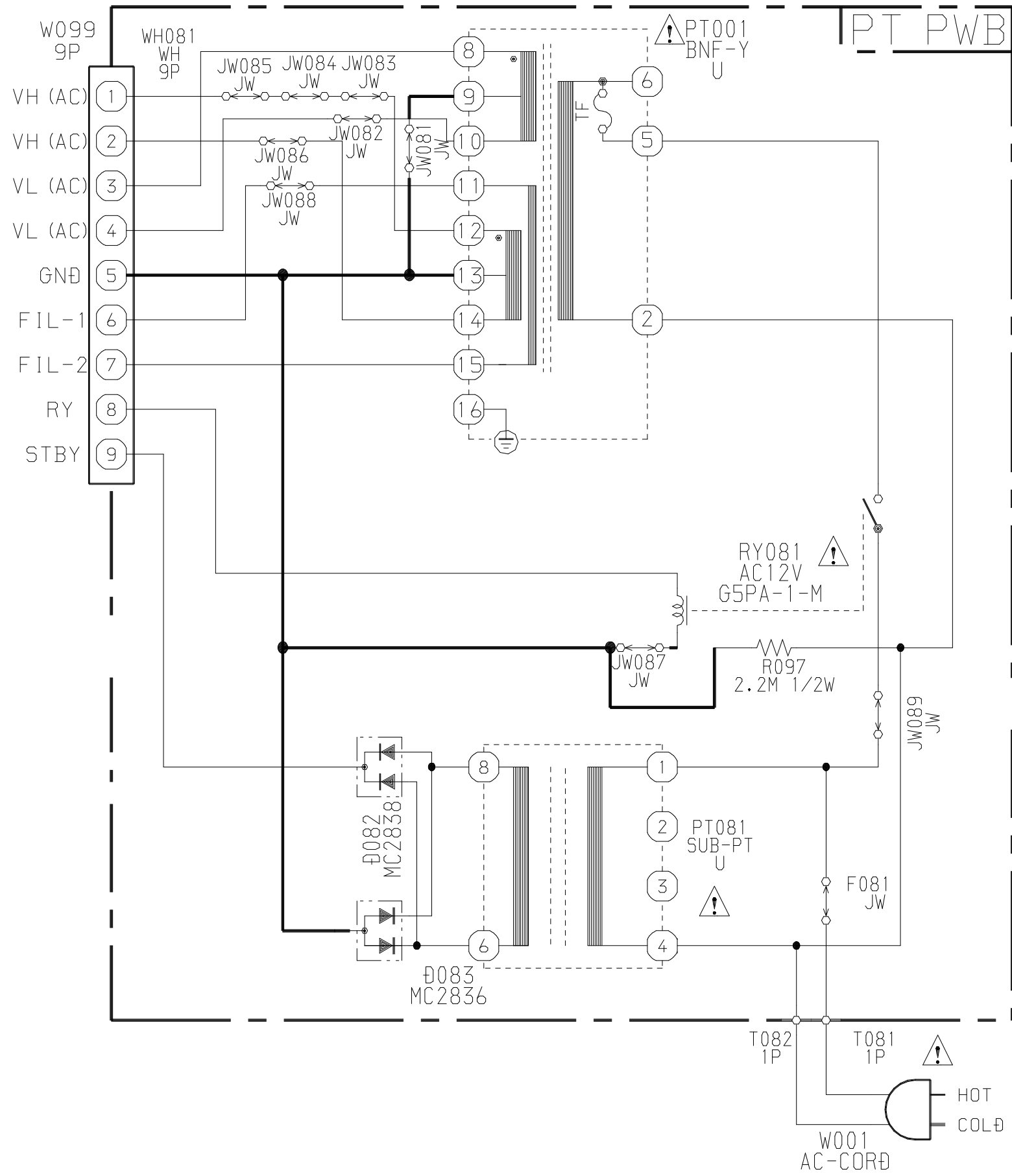


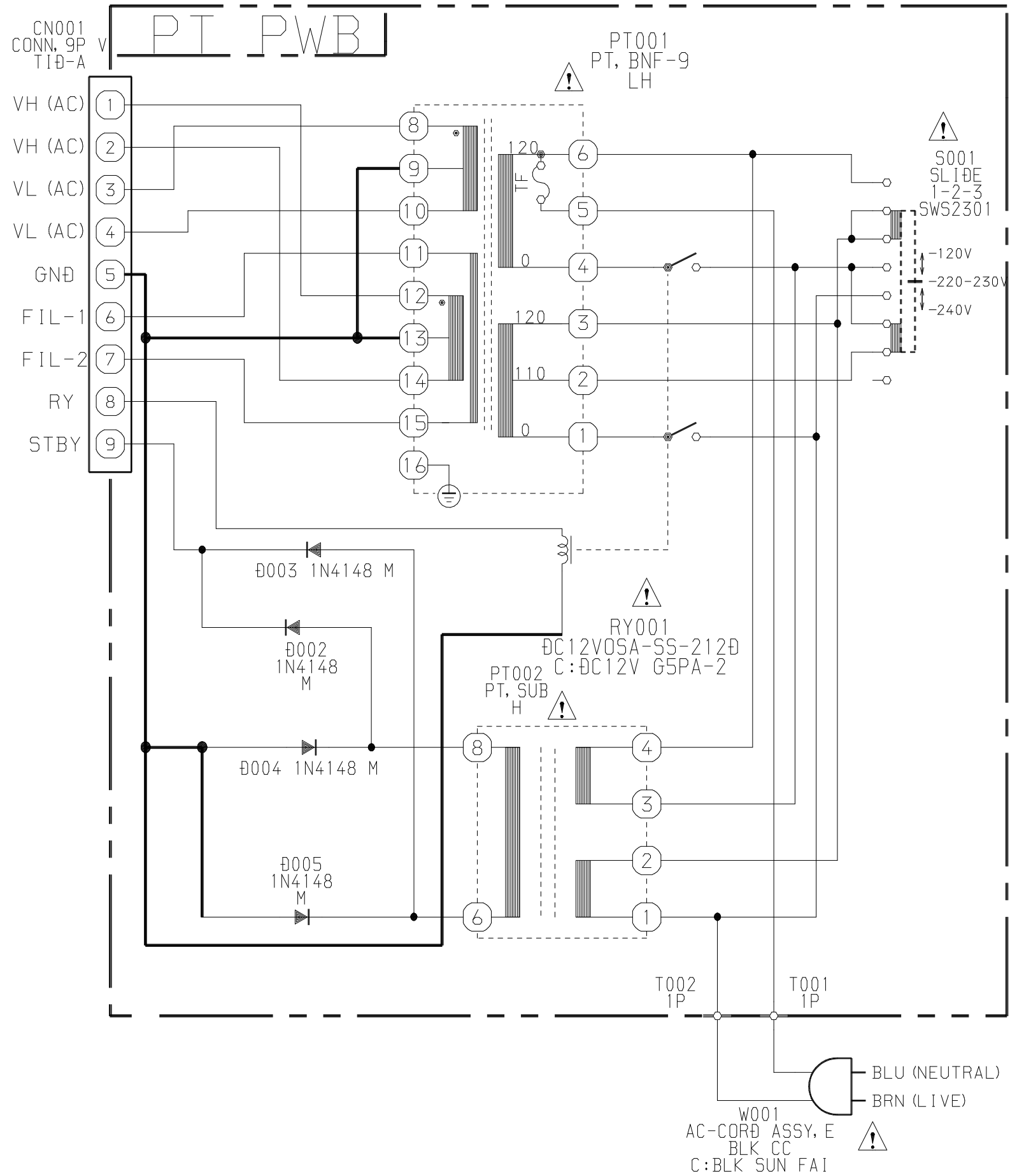
SCHEMATIC DIAGRAM - 9 (FRONT) <LH>

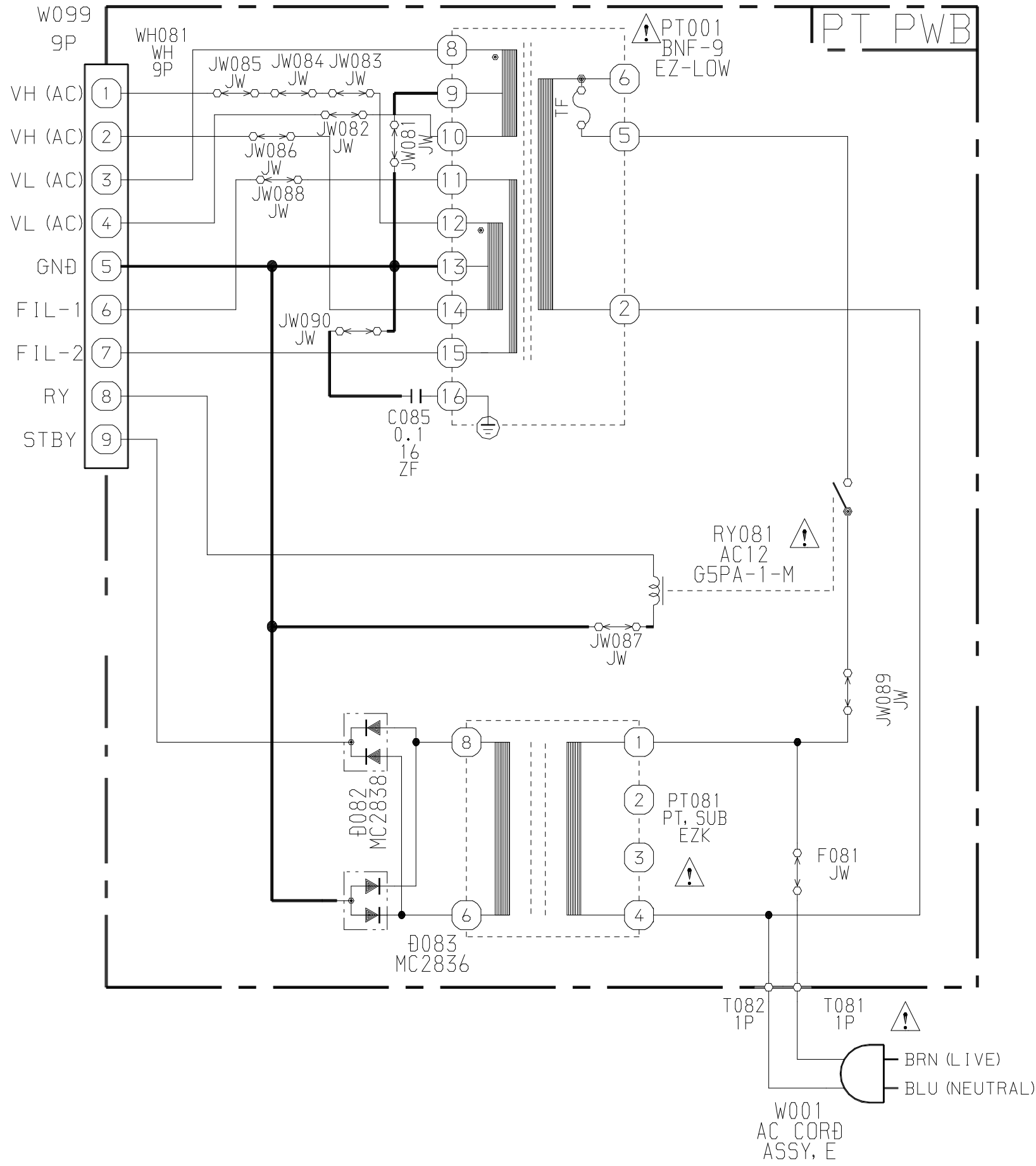


SCHEMATIC DIAGRAM - 10 (FRONT) <EZ>









アイワ株式会社 〒110-8710 東京都台東区池之端1-2-11 ☎03(3827)3111 (代表)
AIWA CO.,LTD. 2-11, IKENOHATA 1-CHOME, TAITO-KU, TOKYO 110, JAPAN TEL:03 (3827) 3111