



NSX-SZ51 LH

SERVICE MANUAL

COMPACT DISC
STEREO SYSTEM

BASIC CD MECHANISM : AZG-1 YZA3RDM
BASIC TAPE MECHANISM : 2ZM-3MK2 YPR4NM

- Replace this Service manual with "Revision Publishing" when it is issued.

aiwa
S/M Code No. 09-004-424-6T4

SIMPLE

DATA

ELECTRICAL MAIN PARTS LIST - 1/9

NOTE: The characters in the suffix column indicate the part usage.

REF.NO	PARTS NO.	DESCRIPTION	SUFFIX	
LHSC3MXX.....		B.....	
		KANRI		
		NO.		
C	503	87-010-112-040	CAP,E 100-16	A.....
C	502	87-010-186-080	CAP,CHIP 4700P	A.....
C	506	87-010-320-080	CHIP CAP 68P	A.....
C	504	87-010-405-040	CAP,E 10-50	A.....
C	507	87-010-544-040	CAP,E 0.1-50 SME	A.....
C	508	87-010-544-040	CAP,E 0.1-50 SME	A.....
C	505	87-010-545-040	CAP,E 0.22-50 SME	A.....
C	512	87-010-178-080	CHIP CAP 1000P	A.....
C	513	87-010-196-080	CHIP CAPACITOR,0.1-25	A.....
C	511	87-010-265-040	CAP,E 33-16 SME	A.....
C	510	87-010-322-080	C-CAP,S 100P-50 CH	A.....
FB	501	87-008-372-080	FILTER, EMI BL OIRNI	AB.....
J	501	87-A61-242-010	JACK,6.3 BLK MONO W/SW V KM	AB.....
Q	504	87-A30-075-080	C-TR,2SA1235F	AB.....
Q	506	87-A30-075-080	C-TR,2SA1235F	AB.....
Q	502	87-A30-076-080	C-TR,2SC3052F	AB.....
Q	503	87-A30-076-080	C-TR,2SC3052F	AB.....
Q	505	87-A30-076-080	C-TR,2SC3052F	AB.....
Q	501	87-A30-087-080	C-FET,2SK2158	AB.....
VR	501	86-NFA-607-010	VR,RTRY 10K15AX1 1 V XV0121PVN	AB.....
C	1	87-010-387-080	CAP,E 470-25 SME	A.....
C	2	87-A11-148-080	CAP,TC U 0.1-50 Z F
C	31	87-010-403-040	CAP,E 3.3-50 SME	A.....
CN	1	87-A61-122-010	CONN,11P V TID-A	AB.....
D	3	87-020-465-080	DIODE,1SS133 (110MA)	AB.....
D	5	87-020-465-080	DIODE,1SS133 (110MA)	AB.....
D	2	87-020-465-080	DIODE,1SS133 (110MA)	AB.....
D	4	87-020-465-080	DIODE,1SS133 (110MA)	AB.....
D	31	87-020-465-080	DIODE,1SS133 (110MA)	AB.....
D	32	87-020-465-080	DIODE,1SS133 (110MA)	AB.....
PT	2	8A-NF8-661-010	PT,SUB ANF-8 (U)
PT	2	8A-NF8-662-010	PT,SUB ANF-8 (E)
PT	2	8A-NF8-673-010	PT,SUB ANF-8 (H) KAMI	AB.....
Q	31	87-026-245-080	TR,DTC114ES	AB.....
Q	32	87-A30-198-080	TR,KTC3199GR	AB.....
RY	1	87-A91-339-010	RELAY,AC DC12V G5PA-2	AB.....
RY	2	87-A91-418-010	RELAY,AC12V G5PA-1-M
S	1	87-A90-165-010	SW,SL 1-2-3 SWS2301	AB.....
T	2	87-A60-317-010	TERMINAL, 1P MSC	AB.....
T	1	87-A60-317-010	TERMINAL, 1P MSC	AB.....
C	211	87-010-322-080	C-CAP,S 100P-50 CH	A.....
C	256	87-010-405-040	CAP,E 10-50	A.....
C	251	87-010-405-040	CAP,E 10-50	A.....
C	259	87-010-405-040	CAP,E 10-50	A.....
C	255	87-010-560-040	CAP,E 10-50 GAS	A.....
C	254	87-012-369-080	C-CAP,S 0.047-50F	A.....
C	264	87-A11-148-080	CAP,TC U 0.1-50 Z F	A.....
C	273	87-010-178-080	CHIP CAP 1000P	A.....
C	274	87-010-178-080	CHIP CAP 1000P	A.....
C	301	87-010-182-080	C-CAP,S 2200P-50 B	A.....
C	312	87-010-498-040	CAP,E 10-16 GAS	A.....
C	322	87-010-400-040	CAP,E 0.47-50	A.....
C	321	87-012-393-080	C-CAP,S 0.22-16 R K	A.....
C	326	87-A10-189-040	CAP,E 220-10	A.....
C	325	87-A10-189-040	CAP,E 220-10	A.....
C	332	87-010-178-080	CHIP CAP 1000P	A.....
C	334	87-010-312-080	C-CAP,S 15P-50 CH	A.....
C	335	87-012-140-080	CAP 470P	A.....
C	336	87-012-155-080	C-CAP 180P-50CH	A.....
C	339	87-012-156-080	C-CAP,S 220P-50 CH	A.....
C	341	87-010-194-080	CAP, CHIP 0.047	A.....
C	340	87-010-197-080	CAP, CHIP 0.01 DM	A.....
C	351	87-010-382-040	CAP,E 22-25 SME	A.....
C	401	87-010-197-080	CAP, CHIP 0.01 DM	A.....
C	455	87-010-196-080	CHIP CAPACITOR,0.1-25	A.....
C	454	87-010-196-080	CHIP CAPACITOR,0.1-25	A.....
C	459	87-010-320-080	CHIP CAP 68P	A.....
C	458	87-010-320-080	CHIP CAP 68P	A.....
C	602	87-010-322-080	C-CAP,S 100P-50 CH	A.....
C	604	87-010-322-080	C-CAP,S 100P-50 CH	A.....
C	603	87-010-322-080	C-CAP,S 100P-50 CH	A.....
C	650	87-010-196-080	CHIP CAPACITOR,0.1-25	A.....
CN	102	87-099-015-010	CONN,13P 6216V	AB.....
CN	101	87-099-720-010	CONN,30P TYK-B(P)	AB.....
CN	302	87-A60-136-010	CONN,11P V FE
CN	301	87-A60-140-010	CONN,15P V FE	AB.....
D	209	87-020-465-080	DIODE,1SS133 (110MA)	AB.....
D	212	87-020-465-080	DIODE,1SS133 (110MA)	AB.....
D	213	87-020-465-080	DIODE,1SS133 (110MA)	AB.....
D	230	87-020-465-080	DIODE,1SS133 (110MA)	AB.....
D	311	87-A40-752-080	ZENER,UZ6.2BSC	AB.....

ELECTRICAL MAIN PARTS LIST - 2/9

D	452	87-A40-802-080	ZENER, UZ5.1BSC	AB
FB	301	87-008-372-080	FILTER, EMI BL OIRNI	AB
FL	401	8A-NF8-601-010	FL, HNA-11MM30 (ANF-8)	AB
IC	201	8A-NF8-613-010	C-IC, LC866548V-ANALOG	AB
IC	201	8A-NF8-614-010	C-IC, LC866560W-ANALOG (RDS)	AB
IC	251	87-A21-629-010	IC, SPS-442-1-N	AB
IC	451	87-A21-577-040	C-IC, M61506FP	AB
IC	601	87-070-289-040	IC, BU 2092F	AB
L	331	87-A50-408-010	COIL, OSC 5.76MHZ	AB
LED	311	87-A40-589-040	LED, SLR-56VCT31 RED	AB
LED	604	87-A40-619-080	LED, SLR-56PT-TE7-W GRN	AB
LED	606	87-A40-619-080	LED, SLR-56PT-TE7-W GRN	AB
LED	601	87-A40-803-010	LED, SELU1E10CXM-S LF38 BLUE	AB
Q	207	87-A30-087-080	C-FET, 2SK2158	AB
Q	251	87-A30-074-080	C-TR, RT1P 141C	AB
Q	301	87-A30-318-080	TR, CSA952K	AB
Q	302	87-A30-318-080	TR, CSA952K	AB
Q	303	87-A30-329-080	TR, CD1585BC	AB
Q	311	87-026-610-080	TR, KTC3198GR	AB
Q	322	87-A30-074-080	C-TR, RT1P 141C	AB
Q	324	87-A30-074-080	C-TR, RT1P 141C	AB
Q	323	87-A30-076-080	C-TR, 2SC3052F	AB
Q	321	87-A30-468-080	C-TR, KRC102S-RTK	AB
S	412	87-A91-024-180	SW, TACT KSH0611BT	AB
S	420	87-A91-024-180	SW, TACT KSH0611BT	AB
S	433	87-A90-095-080	SW, TACT EVQ11G04M	AB
S	430	87-A90-095-080	SW, TACT EVQ11G04M	AB
S	434	87-A90-095-080	SW, TACT EVQ11G04M	AB
S	435	87-A90-095-080	SW, TACT EVQ11G04M	AB
S	432	87-A90-095-080	SW, TACT EVQ11G04M	AB
S	431	87-A90-095-080	SW, TACT EVQ11G04M	AB
SW	253	87-A91-542-010	SW, RTRY EC12E12504	AB
SW	252	87-A91-555-010	SW, RTRY EC12E24504	AB
C	302	87-010-178-080	CHIP CAP 1000P	A
C	303	87-010-178-080	CHIP CAP 1000P	A
C	301	87-010-178-080	CHIP CAP 1000P	A
C	304	87-010-178-080	CHIP CAP 1000P	A
C	308	87-010-263-080	CAP, ELECT 100-10V	A
C	307	87-010-263-080	CAP, ELECT 100-10V	A
C	309	87-010-318-080	C-CAP, S 47P-50 CH	A
C	313	87-010-188-080	CAP, CHIP 6800P	A
C	314	87-010-188-080	CAP, CHIP 6800P	A
C	315	87-010-263-080	CAP, ELECT 100-10V	A
C	310	87-010-318-080	C-CAP, S 47P-50 CH	A
C	317	87-010-546-080	CAP, ELECT 0.33-50V	A
C	318	87-010-546-080	CAP, ELECT 0.33-50V	A
C	326	87-010-198-080	CAP, CHIP 0.022	A
C	327	87-012-368-080	C-CAP, S 0.1-50 F	A
C	360	87-010-401-080	CAP, ELECT 1-50V	A
C	399	87-012-140-080	CAP 470P	A
C	409	87-010-182-080	C-CAP, S 2200P-50 B	A
C	407	87-010-197-080	CAP, CHIP 0.01 DM	A
C	408	87-010-197-080	CAP, CHIP 0.01 DM	A
C	406	87-010-197-080	CAP, CHIP 0.01 DM	A
C	405	87-010-197-080	CAP, CHIP 0.01 DM	A
C	404	87-010-321-080	CHIP CAPACITOR, 82P (J)	A
C	403	87-010-321-080	CHIP CAPACITOR, 82P (J)	A
C	402	87-010-544-080	CAP, ELECT 0.1-50V	A
C	401	87-010-544-080	CAP, ELECT 0.1-50V	A
C	410	87-010-182-080	C-CAP, S 2200P-50 B	A
C	411	87-010-405-080	CAP, ELECT 10-50V	A
C	412	87-010-405-080	CAP, ELECT 10-50V	A
C	459	87-010-175-080	CAP 560P	A
C	458	87-010-178-080	CHIP CAP 1000P	A
C	455	87-010-183-080	C-CAP, S 2700P-50 B	A
C	453	87-010-183-080	C-CAP, S 2700P-50 B	A
C	454	87-010-183-080	C-CAP, S 2700P-50 B	A
C	456	87-010-197-080	CAP, CHIP 0.01 DM	A
C	452	87-010-382-080	CAP, ELECT 22-25V	A
C	460	87-010-196-080	CHIP CAPACITOR, 0.1-25	A
C	462	87-012-158-080	C-CAP, S 390P-50 CH	A
C	461	87-012-158-080	C-CAP, S 390P-50 CH	A
CN	301	87-A60-620-010	CONN, 3P V 2MM JMT	AB
CN	351	87-A60-625-010	CONN, 8P V 2MM JMT	AB
D	401	87-020-465-080	DIODE, 1SS133 (110MA)	AB
IC	301	87-A21-419-040	C-IC, NJM14558MD-TE2	AB
IC	401	87-A21-419-040	C-IC, NJM14558MD-TE2	AB
L	451	87-007-342-010	COIL, OSC 85K BIAS	AB
Q	309	87-A30-075-080	C-TR, 2SA1235F	AB
Q	303	87-A30-090-080	FET, 2SK2541	AB
Q	304	87-A30-090-080	FET, 2SK2541	AB
Q	302	87-A30-091-080	FET, 2SJ460	AB
Q	307	87-A30-091-080	FET, 2SJ460	AB
Q	308	87-A30-091-080	FET, 2SJ460	AB
Q	305	87-A30-091-080	FET, 2SJ460	AB
Q	301	87-A30-091-080	FET, 2SJ460	AB
Q	306	87-A30-104-080	C-TR, RT1N 441C	AB

ELECTRICAL MAIN PARTS LIST - 3/9

Q	310	87-A30-075-080	C-TR,2SA1235F	AB
Q	444	87-A30-075-080	C-TR,2SA1235F	AB
Q	443	87-A30-075-080	C-TR,2SA1235F	AB
Q	451	87-026-609-080	TR,KTA1266GR	AB
Q	455	87-A30-076-080	C-TR,2SC3052F	AB
Q	454	89-333-317-880	TR,2SC3331 (0.5W)	AB
Q	453	89-333-317-880	TR,2SC3331 (0.5W)	AB
SFR	451	87-A90-432-080	SFR,30K H NVZ6TLTA	AB
SFR	452	87-A90-432-080	SFR,30K H NVZ6TLTA	AB
C	508	87-010-178-080	CHIP CAP 1000P	A
C	507	87-010-196-080	CHIP CAPACITOR,0.1-25	A
C	509	87-A10-300-080	CAP,M 0.027-50 J	AB
C	518	87-010-196-080	CHIP CAPACITOR,0.1-25	A
C	519	87-010-401-080	CAP, ELECT 1-50V	A
C	510	87-A10-300-080	CAP,M 0.027-50 J	AB
C	515	87-A10-300-080	CAP,M 0.027-50 J	AB
C	516	87-A10-300-080	CAP,M 0.027-50 J	AB
C	520	87-010-401-080	CAP, ELECT 1-50V	A
C	525	87-010-545-080	CAP, ELECT 0.22-50V	A
C	526	87-010-545-080	CAP, ELECT 0.22-50V	A
C	524	87-010-545-080	CAP, ELECT 0.22-50V	A
C	523	87-010-545-080	CAP, ELECT 0.22-50V	A
C	522	87-010-546-080	CAP, ELECT 0.33-50V	A
C	521	87-010-546-080	CAP, ELECT 0.33-50V	A
D	501	87-020-465-080	DIODE,1SS133 (110MA)	AB
Q	501	87-A30-076-080	C-TR,2SC3052F	AB
Q	502	87-A30-076-080	C-TR,2SC3052F	AB
Q	505	87-A30-076-080	C-TR,2SC3052F	AB
Q	506	87-A30-076-080	C-TR,2SC3052F	AB
Q	507	87-A30-269-040	C-FET,2SJ461-T1	AB
Q	508	87-A30-269-040	C-FET,2SJ461-T1	AB
Q	511	87-A30-076-080	C-TR,2SC3052F	AB
Q	512	87-A30-076-080	C-TR,2SC3052F	AB
C	973	87-010-197-080	CAP, CHIP 0.01 DM	A
C	974	87-010-197-080	CAP, CHIP 0.01 DM	A
C	979	87-010-322-080	C-CAP,S 100P-50 CH	A
C	971	87-010-381-080	CAP, ELECT 330-16V	A
C	972	87-010-404-080	CAP, ELECT 4.7-50V	A
C	982	87-010-196-080	CHIP CAPACITOR,0.1-25	A
C	983	87-010-197-080	CAP, CHIP 0.01 DM	A
C	984	87-010-197-080	CAP, CHIP 0.01 DM	A
C	987	87-010-197-080	CAP, CHIP 0.01 DM	A
C	981	87-010-260-080	CAP, ELECT 47-25V	A
C	995	87-010-178-080	CHIP CAP 1000P	A
C	993	87-010-178-080	CHIP CAP 1000P	A
C	997	87-010-196-080	CHIP CAPACITOR,0.1-25	A
C	998	87-010-260-080	CAP, ELECT 47-25V	A
C	991	87-010-312-080	C-CAP,S 15P-50 CH	A
C	992	87-010-312-080	C-CAP,S 15P-50 CH	A
D	804	87-020-465-080	DIODE,1SS133 (110MA)	AB
D	991	87-017-149-080	ZENER,HZS6A2L	AB
IC	991	87-070-127-110	IC,LC72131 D	AB
Q	981	87-A30-234-080	TR,CSC4115BC	AB
X	991	87-A70-061-010	VIB,XTAL 4.500MHZ CSA-309	AB
C	779	87-010-186-080	CAP,CHIP 4700P	A
C	771	87-010-263-080	CAP, ELECT 100-10V	A
C	779	87-010-971-080	C-CAP,S 4700P-50 B J	A
C	788	87-010-149-080	C-CAP,S 5P-50 CH	A
C	780	87-010-186-080	CAP,CHIP 4700P	A
C	780	87-010-971-080	C-CAP,S 4700P-50 B J	A
C	789	87-A11-532-080	C-CAP,S 0.022-50 J B	A
C	789	87-A12-052-080	C-CAP,S 0.033-25 J B	A
C	791	87-010-196-080	CHIP CAPACITOR,0.1-25	A
C	794	87-010-322-080	C-CAP,S 100P-50 CH	A
C	793	87-010-404-080	CAP, ELECT 4.7-50V	A
C	797	87-010-405-080	CAP, ELECT 10-50V	A
C	799	87-010-407-080	CAP, ELECT 33-50V	A
C	790	87-A11-532-080	C-CAP,S 0.022-50 J B	A
C	790	87-A12-052-080	C-CAP,S 0.033-25 J B	A
C	802	87-010-194-080	CAP, CHIP 0.047	A
C	803	87-010-198-080	CAP, CHIP 0.022	A
C	804	87-010-263-080	CAP, ELECT 100-10V	A
C	807	87-010-400-080	CAP, ELECT 0.47-50V	A
C	809	87-010-401-080	CAP, ELECT 1-50V	A
C	808	87-010-401-080	CAP, ELECT 1-50V	A
C	801	87-010-403-080	CAP, ELECT 3.3-50V	A
C	800	87-012-369-080	C-CAP,S 0.047-50F	A
C	818	87-010-180-080	C-CER 1500P	A
C	810	87-010-196-080	CHIP CAPACITOR,0.1-25	A
C	816	87-010-400-080	CAP, ELECT 0.47-50V	A
C	815	87-010-400-080	CAP, ELECT 0.47-50V	A
C	823	87-010-177-080	C-CAP,S 820P-50 SL	A
C	821	87-010-405-080	CAP, ELECT 10-50V	A
C	824	87-010-405-080	CAP, ELECT 10-50V	A
C	825	87-010-596-080	CAP, S 0.047-16	A
C	823	87-012-349-080	C-CAP,S 1000P-50 CH	A
D	803	87-020-465-080	DIODE,1SS133 (110MA)	AB

ELECTRICAL MAIN PARTS LIST - 4/9

IC	801	87-A21-560-010	IC, LA1844L-A	AB
L	801	87-A50-608-010	COIL, FM DET-N(TOK)	AB
L	802	87-A91-551-010	FLTR, PCFJZH-450 L(TOK)	.B
L	802	87-A91-552-010	FLTR, CFMT-450AL (TOK)	A
L	811	87-005-847-080	COIL, 2.2UH(CECS)	AB
R	790	87-010-197-080	CAP, CHIP 0.01 DM	A
C	869	87-010-197-080	CAP, CHIP 0.01 DM	.
C	875	87-010-196-080	CHIP CAPACITOR, 0.1-25	.
C	877	87-010-197-080	CAP, CHIP 0.01 DM	.
C	879	87-010-314-080	C-CAP, S 22P-50V	.
C	878	87-010-316-080	C-CAP, S 33P-50 CH	.
C	874	87-010-405-080	CAP, ELECT 10-50V	.
C	876	87-010-405-080	CAP, ELECT 10-50V	.
C	873	87-012-140-080	CAP 470P	.
C	872	87-012-156-080	C-CAP, S 220P-50 CH	.
C	871	87-012-156-080	C-CAP, S 220P-50 CH	.
IC	861	87-A20-440-040	C-IC, BU1920FS	.
L	861	87-005-847-080	COIL, 2.2UH(CECS)	.
Q	861	87-A30-076-080	C-TR, 2SC3052F	.
Q	863	87-A30-076-080	C-TR, 2SC3052F	.
X	861	87-A70-091-010	VIB, XTAL 4.332MHZ CSA-309	.
C	831	87-010-406-080	CAP, ELECT 22-50	.
C	844	87-010-197-080	CAP, CHIP 0.01 DM	A
C	842	87-010-197-080	CAP, CHIP 0.01 DM	A
C	858	87-010-196-080	CHIP CAPACITOR, 0.1-25	A
C	859	87-010-196-080	CHIP CAPACITOR, 0.1-25	A
C	853	87-010-197-080	CAP, CHIP 0.01 DM	A
C	852	87-010-197-080	CAP, CHIP 0.01 DM	A
C	851	87-010-197-080	CAP, CHIP 0.01 DM	A
C	850	87-010-260-080	CAP, ELECT 47-25V	A
C	860	87-010-197-080	CAP, CHIP 0.01 DM	A
C	948	87-010-148-080	CAP, CHIP S 75P SL	A
C	942	87-010-149-080	C-CAP, S 5P-50 CH	.
C	941	87-010-314-080	C-CAP, S 22P-50V	A
C	946	87-010-971-080	C-CAP, S 4700P-50 B J	A
C	948	87-012-140-080	CAP 470P	.
C	959	87-010-196-080	CHIP CAPACITOR, 0.1-25	A
C	956	87-010-263-080	CAP, ELECT 100-10V	A
C	957	87-010-311-080	CAP 12P	.
C	954	87-010-400-080	CAP, ELECT 0.47-50V	A
C	961	87-010-152-080	C-CAP, S 8P-50 CH	.
C	962	87-010-401-080	CAP, ELECT 1-50V	A
C	964	87-010-854-080	C-CAP, S 560PCH	A
C	963	87-015-785-080	CHIP CAPACITOR, 0.1FZ-25Z	A
C	999	87-A11-132-080	CAP, TC U 0.01-50 K B	AB
CF	832	82-785-747-010	CF MS2 GHY R	.
CF	831	87-008-261-010	FILTER, SFE10.7MA5-A	AB
CF	832	87-008-261-010	FILTER, SFE10.7MA5-A	AB
CF	831	87-008-423-010	CERAMIC FILTER, SFE10.7	.
D	944	87-020-465-080	DIODE, 1SS133 (110MA)	A
D	942	87-A40-270-080	C-DIODE, MC2838	.
D	951	87-A40-618-080	VARI-CAP, SVC 348 (S/T)	A
FFE	831	A8-6ZA-191-130	6ZA-1 FEENM	.
FFE	831	A8-6ZA-193-130	6ZA-1 FEVNM	.
FFE	831	A8-6ZA-19C-170	6ZA-1 YFEENC	.
FFE	831	A8-8ZA-190-030	8ZA-1 FEUNM	A
FFE	831	A8-8ZA-191-030	8ZA-1 YFEUNM	.B
FFE	831	A8-8ZA-193-070	8ZA-1 YFEUNC	.
J	831	87-A60-202-010	TERMINAL, ANT 4P MSP-154V-02	AB
J	832	87-A60-403-010	TERMINAL, ANT PAL 2P HSP-312V05	.
J	940	87-A60-633-010	CONN, 2P H 2.5MM JMT	A
L	832	87-005-847-080	COIL, 2.2UH(CECS)	AB
L	942	87-A50-019-010	COIL, OSC LW(COI)	.
L	941	87-A50-020-010	COIL, ANT LW(COI)	.
L	941	87-A50-022-010	COIL, ANT SW(COI)	A
L	944	87-A50-159-010	COIL, 10MH K C2B	A
L	943	87-A50-522-080	COIL, 1MH K CEC	A
L	942	87-A50-550-010	COIL, OSC SW-2N(COI)	A
L	952	87-A50-430-010	COIL, ANT MW(3BSW)	A
L	953	87-A50-431-010	COIL, OSC MW(3BSW)	A
L	951	8A-NF8-667-010	COIL, AM PACK 4(TOK)	.B
L	951	8A-NF8-668-010	COIL, AM PACK 2(TOK)	.
Q	837	87-A30-072-080	C-TR, RT1P 144C	A
Q	836	87-A30-489-080	C-TR, KRA107S	AB
Q	835	89-327-143-080	TR, 2SC2714 (0.1W)	AB
Q	943	87-A30-075-080	C-TR, 2SA1235F	A
Q	942	87-A30-075-080	C-TR, 2SA1235F	A
Q	944	87-A30-076-080	C-TR, 2SC3052F	A
Q	949	87-A30-076-080	C-TR, 2SC3052F	A
Q	945	87-A30-076-080	C-TR, 2SC3052F	A
Q	948	87-A30-086-070	C-TR, CSD1306E	A
Q	951	87-A30-074-080	C-TR, RT1P 141C	A
Q	952	87-A30-086-070	C-TR, CSD1306E	A
Q	953	89-503-602-080	C-FET, 2SK360E	A
TC	942	87-011-253-080	TRIMER, 30P LAR	A
TC	941	87-011-254-080	TRIMER, 20P LAR	A
C	17	87-012-368-080	C-CAP, S 0.1-50 F	A

ELECTRICAL MAIN PARTS LIST - 5/9

C	18	87-012-368-080	C-CAP,S 0.1-50 F	A
C	19	87-016-520-000	CAP,E 3300-65 M SMG	A
C	26	87-010-247-080	CAP, ELECT 100-50V	A
C	25	87-010-408-080	CAP, ELECT 47-50V	A
C	22	87-016-051-000	CAP,E 2200-35 M SMG	A
C	21	87-016-051-000	CAP,E 2200-35 M SMG	A
C	20	87-016-520-000	CAP,E 3300-65 M SMG	A
C	23	87-016-658-000	CAP,E 4700-35 M SMG	A
C	24	87-016-658-000	CAP,E 4700-35 M SMG	A
C	32	87-010-197-080	CAP, CHIP 0.01 DM	A
C	38	87-010-197-080	CAP, CHIP 0.01 DM	A
C	34	87-010-260-080	CAP, ELECT 47-25V	A
C	31	87-010-263-080	CAP, ELECT 100-10V	A
C	35	87-010-380-080	CAP, ELECT 47-16V	A
C	36	87-010-381-080	CAP, ELECT 330-16V	A
C	30	87-010-430-080	CAP, ELECT 100-63	A
C	61	87-010-260-080	CAP, ELECT 47-25V	A
C	60	87-010-403-080	CAP, ELECT 3.3-50V	A
C	620	87-010-263-080	CAP, ELECT 100-10V	A
CNA	1	8A-NF8-654-010	CONN ASSY,11P TID-A (480)	AB
D	2	87-A40-393-090	DIODE,1N5402GW (F20)	AB
D	1	87-A40-393-090	DIODE,1N5402GW (F20)	AB
D	3	87-A40-393-090	DIODE,1N5402GW (F20)	AB
D	4	87-A40-393-090	DIODE,1N5402GW (F20)	AB
D	9	87-A40-548-090	DIODE,D3SBA20	AB
D	18	87-A40-455-080	DIODE,RL203 GW	AB
D	19	87-A40-455-080	DIODE,RL203 GW	AB
D	17	87-A40-455-080	DIODE,RL203 GW	AB
D	10	87-A40-547-090	DIODE,D5SBA20	AB
D	20	87-A40-455-080	DIODE,RL203 GW	AB
D	27	87-A40-553-080	DIODE,1N4003 LES	AB
D	26	87-A40-553-080	DIODE,1N4003 LES	AB
D	29	87-A40-776-080	ZENER,UZ27BSD	AB
D	35	87-020-465-080	DIODE,1SS133 (110MA)	AB
D	34	87-020-465-080	DIODE,1SS133 (110MA)	AB
D	30	87-020-465-080	DIODE,1SS133 (110MA)	AB
D	33	87-A40-553-080	DIODE,1N4003 LES	AB
D	31	87-A40-764-080	ZENER,UZ10BSC	AB
D	50	87-A40-270-080	C-DIODE,MC2838	AB
D	55	87-A40-553-080	DIODE,1N4003 LES	AB
D	56	87-A40-553-080	DIODE,1N4003 LES	AB
D	65	87-020-465-080	DIODE,1SS133 (110MA)	AB
D	60	87-020-465-080	DIODE,1SS133 (110MA)	AB
D	64	87-A40-269-080	C-DIODE,MC2836	AB
D	63	87-A40-270-080	C-DIODE,MC2838	AB
D	68	87-A40-313-080	C-DIODE,MC 2840	AB
D	61	87-A40-313-080	C-DIODE,MC 2840	AB
D	62	87-A40-313-080	C-DIODE,MC 2840	AB
D	67	87-A40-313-080	C-DIODE,MC 2840	AB
D	69	87-A40-313-080	C-DIODE,MC 2840	AB
D	66	87-A40-768-080	ZENER,UZ16BSA	AB
D	78	87-A40-313-080	C-DIODE,MC 2840	AB
D	77	87-A40-313-080	C-DIODE,MC 2840	AB
D	73	87-A40-313-080	C-DIODE,MC 2840	AB
D	76	87-A40-313-080	C-DIODE,MC 2840	AB
D	74	87-A40-313-080	C-DIODE,MC 2840	AB
Q	9	87-026-609-080	TR,KTA1266GR	AB
Q	5	87-026-610-080	TR,KTC3198GR	AB
Q	8	87-A30-075-080	C-TR,2SA1235F	AB
Q	6	87-A30-076-080	C-TR,2SC3052F	AB
Q	4	89-213-702-010	TR,2SB1370 (1.8W)	AB
Q	10	87-A30-076-080	C-TR,2SC3052F	AB
Q	50	87-A30-075-080	C-TR,2SA1235F	AB
Q	51	87-A30-075-080	C-TR,2SA1235F	AB
Q	61	87-A30-075-080	C-TR,2SA1235F	AB
Q	63	87-A30-075-080	C-TR,2SA1235F	AB
Q	65	87-A30-075-080	C-TR,2SA1235F	AB
Q	66	87-A30-075-080	C-TR,2SA1235F	AB
Q	64	87-A30-076-080	C-TR,2SC3052F	AB
Q	62	87-A30-076-080	C-TR,2SC3052F	AB
Q	60	87-A30-076-080	C-TR,2SC3052F	AB
WH	1	87-A91-179-010	HLDR,WIRE 2.5-11P	AB
C	606	87-010-179-080	CAP,CHIP S B1200P	A
C	605	87-010-179-080	CAP,CHIP S B1200P	A
C	609	87-010-213-080	C-CAP,S 0.015-50 B	A
C	615	87-010-154-080	CAP CHIP 10P	A
C	610	87-010-213-080	C-CAP,S 0.015-50 B	A
C	616	87-010-385-080	CAP, ELECT 220-25V	A
C	617	87-010-385-080	CAP, ELECT 220-25V	A
C	618	87-010-405-080	CAP, ELECT 10-50V	A
C	614	87-010-545-080	CAP, ELECT 0.22-50V	A
C	611	87-010-545-080	CAP, ELECT 0.22-50V	A
C	613	87-010-545-080	CAP, ELECT 0.22-50V	A
C	612	87-010-545-080	CAP, ELECT 0.22-50V	A
C	632	87-010-185-080	C-CAP,S 3900P-50 B	A
C	631	87-010-185-080	C-CAP,S 3900P-50 B	A
C	634	87-016-369-080	C-CAP,S 0.033-25 B K	A

ELECTRICAL MAIN PARTS LIST - 6/9

C	633	87-016-369-080	C-CAP,S 0.033-25 B K	A
C	630	87-016-669-080	C-CAP,S 0.1-25 K B	A
C	662	87-010-178-080	CHIP CAP 1000P	A
C	661	87-010-178-080	CHIP CAP 1000P	A
C	669	87-010-180-080	C-CER 1500P	
C	661	87-012-157-080	C-CAP,S 330P-50 CH	
C	662	87-012-157-080	C-CAP,S 330P-50 CH	
C	670	87-010-180-080	C-CER 1500P	
C	673	87-010-182-080	C-CAP,S 2200P-50 B	A
C	672	87-010-196-080	CHIP CAPACITOR,0.1-25	A
C	671	87-010-196-080	CHIP CAPACITOR,0.1-25	A
C	677	87-010-197-080	CAP, CHIP 0.01 DM	A
CN	601	87-099-719-010	CONN,30P TYK-B(X)	AB
CN	602	87-A60-131-010	CONN,6P V FE	AB
D	601	87-A40-739-080	ZENER,UZ2.7BSA	AB
D	602	87-A40-739-080	ZENER,UZ2.7BSA	AB
IC	601	87-A21-401-040	C-IC,M61503FP	AB
J	602	87-A60-881-010	JACK,PIN 2P MSP 242V05 PBSN	AB
Q	607	87-A30-076-080	C-TR,2SC3052F	AB
Q	602	87-A30-087-080	C-FET,2SK2158	AB
Q	601	87-A30-087-080	C-FET,2SK2158	AB
Q	605	87-A30-090-080	FET,2SK2541	AB
Q	606	87-A30-090-080	FET,2SK2541	AB
C	211	87-010-322-080	C-CAP,S 100P-50 CH	.B
C	251	87-010-405-040	CAP,E 10-50	.B
C	259	87-010-405-040	CAP,E 10-50	.B
C	256	87-010-405-040	CAP,E 10-50	.B
C	255	87-010-560-040	CAP,E 10-50 GAS	.B
C	254	87-012-369-080	C-CAP,S 0.047-50F	.B
C	264	87-A11-148-080	CAP,TC U 0.1-50 Z F	.B
C	274	87-010-178-080	CHIP CAP 1000P	.B
C	273	87-010-178-080	CHIP CAP 1000P	.B
C	301	87-010-182-080	C-CAP,S 2200P-50 B	.B
C	312	87-010-498-040	CAP,E 10-16 GAS	.B
C	322	87-010-400-040	CAP,E 0.47-50	.B
C	321	87-012-393-080	C-CAP,S 0.22-16 R K	.B
C	325	87-A10-189-040	CAP,E 220-10	.B
C	326	87-A10-189-040	CAP,E 220-10	.B
C	332	87-010-178-080	CHIP CAP 1000P	.B
C	334	87-010-312-080	C-CAP,S 15P-50 CH	.B
C	335	87-012-140-080	CAP 470P	.B
C	336	87-012-155-080	C-CAP 180P-50CH	.B
C	339	87-012-156-080	C-CAP,S 220P-50 CH	.B
C	341	87-010-194-080	CAP, CHIP 0.047	.B
C	340	87-010-197-080	CAP, CHIP 0.01 DM	.B
C	351	87-010-382-040	CAP,E 22-25 SME	.B
C	401	87-010-197-080	CAP, CHIP 0.01 DM	.B
C	455	87-010-196-080	CHIP CAPACITOR,0.1-25	.B
C	454	87-010-196-080	CHIP CAPACITOR,0.1-25	.B
C	458	87-010-320-080	CHIP CAP 68P	.B
C	459	87-010-320-080	CHIP CAP 68P	.B
C	602	87-010-322-080	C-CAP,S 100P-50 CH	.B
C	603	87-010-322-080	C-CAP,S 100P-50 CH	.B
C	604	87-010-322-080	C-CAP,S 100P-50 CH	.B
C	650	87-010-196-080	CHIP CAPACITOR,0.1-25	.B
C	109	87-010-179-080	CAP,CHIP S B1200P	A
C	101	87-010-183-080	C-CAP,S 2700P-50 B	A
C	102	87-010-183-080	C-CAP,S 2700P-50 B	A
C	107	87-010-405-080	CAP, ELECT 10-50V	A
C	108	87-010-405-080	CAP, ELECT 10-50V	A
C	104	87-010-545-080	CAP, ELECT 0.22-50V	A
C	103	87-010-545-080	CAP, ELECT 0.22-50V	A
C	110	87-010-179-080	CAP,CHIP S B1200P	A
C	119	87-010-197-080	CAP, CHIP 0.01 DM	A
C	111	87-010-405-080	CAP, ELECT 10-50V	A
C	112	87-010-405-080	CAP, ELECT 10-50V	A
C	114	87-010-866-080	CAP, ELECT 10-63	A
C	113	87-010-866-080	CAP, ELECT 10-63	A
C	124	87-010-176-080	C-CAP,S 680P-50 SL	
C	123	87-010-176-080	C-CAP,S 680P-50 SL	
C	129	87-010-191-080	C-CAP,S 0.015-50 F	
C	120	87-010-197-080	CAP, CHIP 0.01 DM	A
C	127	87-012-368-080	C-CAP,S 0.1-50 F	A
C	125	87-012-368-080	C-CAP,S 0.1-50 F	A
C	128	87-012-368-080	C-CAP,S 0.1-50 F	A
C	126	87-012-368-080	C-CAP,S 0.1-50 F	A
C	133	87-010-186-080	CAP,CHIP 4700P	A
C	130	87-010-191-080	C-CAP,S 0.015-50 F	
C	140	87-010-182-080	C-CAP,S 2200P-50 B	A
C	141	87-010-196-080	CHIP CAPACITOR,0.1-25	A
D	101	87-A40-269-080	C-DIODE,MC2836	AB
D	116	87-A40-270-080	C-DIODE,MC2838	AB
IC	101	87-A21-417-010	IC,STK490-310	AB
J	203	87-A60-238-010	TERMINAL,SP 4P (MSC)	AB
J	202	87-A60-483-010	JACK,DIA6.3 BLK ST W/S KM	AB
L	102	87-A50-610-010	COIL,1UH K(MDEC)	AB
L	101	87-A50-610-010	COIL,1UH K(MDEC)	AB

ELECTRICAL MAIN PARTS LIST - 7/9

Q	126	87-A30-107-070	C-TR, CMBT5401	AB
Q	124	87-A30-107-070	C-TR, CMBT5401	AB
Q	123	87-A30-107-070	C-TR, CMBT5401	AB
Q	130	87-A30-106-040	C-TR, CMBT5551	AB
R	129	87-A00-257-080	RES, M/F 0.15-1W J	AB
R	130	87-A00-257-080	RES, M/F 0.15-1W J	AB
R	144	87-A00-439-050	RES, 180-1/2W J RP	AB
R	145	87-A00-439-050	RES, 180-1/2W J RP	AB
R	143	87-A00-439-050	RES, 180-1/2W J RP	AB
R	146	87-A00-439-050	RES, 180-1/2W J RP	AB
R	145	87-A00-440-050	RES, 220-1/2W J RP	A
R	146	87-A00-440-050	RES, 220-1/2W J RP	A
R	143	87-A00-440-050	RES, 220-1/2W J RP	A
R	144	87-A00-440-050	RES, 220-1/2W J RP	A
C	205	87-010-179-080	CAP, CHIP S B1200P	A
C	206	87-010-179-080	CAP, CHIP S B1200P	A
C	204	87-010-182-080	C-CAP, S 2200P-50 B	A
C	203	87-010-182-080	C-CAP, S 2200P-50 B	A
C	209	87-010-402-080	CAP, ELECT 2.2-50V	A
C	211	87-010-184-080	CHIP CAPACITOR 3300P (K)	A
C	212	87-010-184-080	CHIP CAPACITOR 3300P (K)	A
C	214	87-010-402-080	CAP, ELECT 2.2-50V	A
C	210	87-010-402-080	CAP, ELECT 2.2-50V	A
C	213	87-010-402-080	CAP, ELECT 2.2-50V	A
C	218	87-010-405-080	CAP, ELECT 10-50V	A
C	217	87-010-405-080	CAP, ELECT 10-50V	A
C	223	87-010-190-080	S CHIP F 0.01	A
C	224	87-010-190-080	S CHIP F 0.01	A
C	229	87-010-196-080	CHIP CAPACITOR, 0.1-25	A
C	228	87-010-405-080	CAP, ELECT 10-50V	A
C	220	87-010-405-080	CAP, ELECT 10-50V	A
C	230	87-010-196-080	CHIP CAPACITOR, 0.1-25	A
C	239	87-010-196-080	CHIP CAPACITOR, 0.1-25	A
C	232	87-010-196-080	CHIP CAPACITOR, 0.1-25	A
C	231	87-010-196-080	CHIP CAPACITOR, 0.1-25	A
C	237	87-010-322-080	C-CAP, S 100P-50 CH	AB
C	238	87-010-322-080	C-CAP, S 100P-50 CH	AB
C	270	87-010-197-080	CAP, CHIP 0.01 DM	AB
D	202	87-A40-269-080	C-DIODE, MC2836	AB
IC	201	87-A21-396-010	IC, STK490-040	AB
J	204	87-A61-153-010	JACK, PIN 4P R/W(BL) (SEPA) KM	A
J	205	87-A61-157-010	JACK, PIN 2P R/W/BL V (SEPA) KM	B
L	202	87-A50-610-010	COIL, 1UH K(MDEC)	AB
L	201	87-A50-610-010	COIL, 1UH K(MDEC)	AB
Q	202	87-A30-076-080	C-TR, 2SC3052F	AB
Q	201	87-A30-076-080	C-TR, 2SC3052F	AB
Q	219	87-A30-107-070	C-TR, CMBT5401	AB
Q	220	87-A30-107-070	C-TR, CMBT5401	AB
R	233	87-A00-258-080	RES, M/F 0.22-1W J	AB
R	234	87-A00-258-080	RES, M/F 0.22-1W J	AB
C	503	87-010-112-040	CAP, E 100-16	B
C	502	87-010-186-080	CAP, CHIP 4700P	B
C	506	87-010-320-080	CHIP CAP 68P	B
C	504	87-010-405-040	CAP, E 10-50	B
C	508	87-010-544-040	CAP, E 0.1-50 SME	B
C	507	87-010-544-040	CAP, E 0.1-50 SME	B
C	505	87-010-545-040	CAP, E 0.22-50 SME	B
C	512	87-010-178-080	CHIP CAP 1000P	B
C	513	87-010-196-080	CHIP CAPACITOR, 0.1-25	B
C	511	87-010-265-040	CAP, E 33-16 SME	B
C	510	87-010-322-080	C-CAP, S 100P-50 CH	B
C	974	87-010-197-080	CAP, CHIP 0.01 DM	B
C	973	87-010-197-080	CAP, CHIP 0.01 DM	B
C	979	87-010-322-080	C-CAP, S 100P-50 CH	B
C	971	87-010-381-080	CAP, ELECT 330-16V	B
C	972	87-010-404-080	CAP, ELECT 4.7-50V	B
C	982	87-010-196-080	CHIP CAPACITOR, 0.1-25	B
C	987	87-010-197-080	CAP, CHIP 0.01 DM	B
C	984	87-010-197-080	CAP, CHIP 0.01 DM	B
C	983	87-010-197-080	CAP, CHIP 0.01 DM	B
C	981	87-010-260-080	CAP, ELECT 47-25V	B
C	993	87-010-178-080	CHIP CAP 1000P	B
C	995	87-010-178-080	CHIP CAP 1000P	B
C	997	87-010-196-080	CHIP CAPACITOR, 0.1-25	B
C	998	87-010-260-080	CAP, ELECT 47-25V	B
C	992	87-010-312-080	C-CAP, S 15P-50 CH	B
C	991	87-010-312-080	C-CAP, S 15P-50 CH	B
C	771	87-010-263-080	CAP, ELECT 100-10V	B
C	788	87-010-149-080	C-CAP, S 5P-50 CH	B
C	789	87-A12-052-080	C-CAP, S 0.033-25 J B	B
C	791	87-010-196-080	CHIP CAPACITOR, 0.1-25	B
C	793	87-010-404-080	CAP, ELECT 4.7-50V	B
C	797	87-010-405-080	CAP, ELECT 10-50V	B
C	799	87-010-407-080	CAP, ELECT 33-50V	B
C	790	87-A12-052-080	C-CAP, S 0.033-25 J B	B
C	802	87-010-194-080	CAP, CHIP 0.047	B
C	803	87-010-198-080	CAP, CHIP 0.022	B

ELECTRICAL MAIN PARTS LIST - 8/9

C	804	87-010-263-080	CAP, ELECT 100-10V	.B
C	807	87-010-400-080	CAP, ELECT 0.47-50V	.B
C	808	87-010-401-080	CAP, ELECT 1-50V	.B
C	809	87-010-401-080	CAP, ELECT 1-50V	.B
C	801	87-010-403-080	CAP, ELECT 3.3-50V	.B
C	800	87-012-369-080	C-CAP,S 0.047-50F	.B
C	810	87-010-196-080	CHIP CAPACITOR,0.1-25	.B
C	815	87-010-400-080	CAP, ELECT 0.47-50V	.B
C	816	87-010-400-080	CAP, ELECT 0.47-50V	.B
C	823	87-010-177-080	C-CAP,S 820P-50 SL	.B
C	824	87-010-405-080	CAP, ELECT 10-50V	.B
C	821	87-010-405-080	CAP, ELECT 10-50V	.B
C	825	87-010-596-080	CAP, S 0.047-16	.B
R	790	87-010-197-080	CAP, CHIP 0.01 DM	.B
C	844	87-010-197-080	CAP, CHIP 0.01 DM	.B
C	842	87-010-197-080	CAP, CHIP 0.01 DM	.B
C	859	87-010-196-080	CHIP CAPACITOR,0.1-25	.B
C	858	87-010-196-080	CHIP CAPACITOR,0.1-25	.B
C	851	87-010-197-080	CAP, CHIP 0.01 DM	.B
C	853	87-010-197-080	CAP, CHIP 0.01 DM	.B
C	852	87-010-197-080	CAP, CHIP 0.01 DM	.B
C	850	87-010-260-080	CAP, ELECT 47-25V	.B
C	860	87-010-197-080	CAP, CHIP 0.01 DM	.B
C	959	87-010-196-080	CHIP CAPACITOR,0.1-25	.B
C	961	87-010-152-080	C-CAP,S 8P-50 CH	.B
C	963	87-015-785-080	CHIP CAPACITOR, 0.1FZ-25Z	.B
C	18	87-012-368-080	C-CAP,S 0.1-50 F	.B
C	17	87-012-368-080	C-CAP,S 0.1-50 F	.B
C	19	87-016-520-000	CAP,E 3300-65 M SMG	.B
C	26	87-010-247-080	CAP, ELECT 100-50V	.B
C	25	87-010-408-080	CAP, ELECT 47-50V	.B
C	21	87-016-051-000	CAP,E 2200-35 M SMG	.B
C	22	87-016-051-000	CAP,E 2200-35 M SMG	.B
C	20	87-016-520-000	CAP,E 3300-65 M SMG	.B
C	24	87-016-658-000	CAP,E 4700-35 M SMG	.B
C	23	87-016-658-000	CAP,E 4700-35 M SMG	.B
C	38	87-010-197-080	CAP, CHIP 0.01 DM	.B
C	32	87-010-197-080	CAP, CHIP 0.01 DM	.B
C	34	87-010-260-080	CAP, ELECT 47-25V	.B
C	31	87-010-263-080	CAP, ELECT 100-10V	.B
C	35	87-010-380-080	CAP, ELECT 47-16V	.B
C	36	87-010-381-080	CAP, ELECT 330-16V	.B
C	30	87-010-430-080	CAP, ELECT 100-63	.B
C	61	87-010-260-080	CAP, ELECT 47-25V	.B
C	60	87-010-403-080	CAP, ELECT 3.3-50V	.B
C	620	87-010-263-080	CAP, ELECT 100-10V	.B
C	301	87-010-178-080	CHIP CAP 1000P	.B
C	304	87-010-178-080	CHIP CAP 1000P	.B
C	302	87-010-178-080	CHIP CAP 1000P	.B
C	303	87-010-178-080	CHIP CAP 1000P	.B
C	307	87-010-263-080	CAP, ELECT 100-10V	.B
C	308	87-010-263-080	CAP, ELECT 100-10V	.B
C	309	87-010-318-080	C-CAP,S 47P-50 CH	.B
C	313	87-010-188-080	CAP,CHIP 6800P	.B
C	314	87-010-188-080	CAP,CHIP 6800P	.B
C	315	87-010-263-080	CAP, ELECT 100-10V	.B
C	310	87-010-318-080	C-CAP,S 47P-50 CH	.B
C	317	87-010-546-080	CAP, ELECT 0.33-50V	.B
C	318	87-010-546-080	CAP, ELECT 0.33-50V	.B
C	326	87-010-198-080	CAP, CHIP 0.022	.B
C	327	87-012-368-080	C-CAP,S 0.1-50 F	.B
C	360	87-010-401-080	CAP, ELECT 1-50V	.B
C	399	87-012-140-080	CAP 470P	.B
C	409	87-010-182-080	C-CAP,S 2200P-50 B	.B
C	405	87-010-197-080	CAP, CHIP 0.01 DM	.B
C	407	87-010-197-080	CAP, CHIP 0.01 DM	.B
C	406	87-010-197-080	CAP, CHIP 0.01 DM	.B
C	408	87-010-197-080	CAP, CHIP 0.01 DM	.B
C	404	87-010-321-080	CHIP CAPACITOR,82P (J)	.B
C	403	87-010-321-080	CHIP CAPACITOR,82P (J)	.B
C	401	87-010-544-080	CAP, ELECT 0.1-50V	.B
C	402	87-010-544-080	CAP, ELECT 0.1-50V	.B
C	410	87-010-182-080	C-CAP,S 2200P-50 B	.B
C	412	87-010-405-080	CAP, ELECT 10-50V	.B
C	411	87-010-405-080	CAP, ELECT 10-50V	.B
C	459	87-010-175-080	CAP 560P	.B
C	458	87-010-178-080	CHIP CAP 1000P	.B
C	453	87-010-183-080	C-CAP,S 2700P-50 B	.B
C	455	87-010-183-080	C-CAP,S 2700P-50 B	.B
C	454	87-010-183-080	C-CAP,S 2700P-50 B	.B
C	456	87-010-197-080	CAP, CHIP 0.01 DM	.B
C	452	87-010-382-080	CAP, ELECT 22-25V	.B
C	460	87-010-196-080	CHIP CAPACITOR,0.1-25	.B
C	461	87-012-158-080	C-CAP,S 390P-50 CH	.B
C	462	87-012-158-080	C-CAP,S 390P-50 CH	.B
C	606	87-010-179-080	CAP,CHIP S B1200P	.B
C	605	87-010-179-080	CAP,CHIP S B1200P	.B

ELECTRICAL MAIN PARTS LIST - 9/9

C	609	87-010-213-080	C-CAP,S 0.015-50 B	.B
C	615	87-010-154-080	CAP CHIP 10P	.B
C	610	87-010-213-080	C-CAP,S 0.015-50 B	.B
C	616	87-010-385-080	CAP, ELECT 220-25V	.B
C	617	87-010-385-080	CAP, ELECT 220-25V	.B
C	618	87-010-405-080	CAP, ELECT 10-50V	.B
C	611	87-010-545-080	CAP, ELECT 0.22-50V	.B
C	614	87-010-545-080	CAP, ELECT 0.22-50V	.B
C	612	87-010-545-080	CAP, ELECT 0.22-50V	.B
C	613	87-010-545-080	CAP, ELECT 0.22-50V	.B
C	631	87-010-185-080	C-CAP,S 3900P-50 B	.B
C	632	87-010-185-080	C-CAP,S 3900P-50 B	.B
C	634	87-016-369-080	C-CAP,S 0.033-25 B K	.B
C	633	87-016-369-080	C-CAP,S 0.033-25 B K	.B
C	630	87-016-669-080	C-CAP,S 0.1-25 K B	.B
C	661	87-010-178-080	CHIP CAP 1000P	.B
C	662	87-010-178-080	CHIP CAP 1000P	.B
C	673	87-010-182-080	C-CAP,S 2200P-50 B	.B
C	672	87-010-196-080	CHIP CAPACITOR,0.1-25	.B
C	671	87-010-196-080	CHIP CAPACITOR,0.1-25	.B
C	677	87-010-197-080	CAP, CHIP 0.01 DM	.B
C	109	87-010-179-080	CAP,CHIP S B1200P	.B
C	101	87-010-183-080	C-CAP,S 2700P-50 B	.B
C	102	87-010-183-080	C-CAP,S 2700P-50 B	.B
C	108	87-010-405-080	CAP, ELECT 10-50V	.B
C	107	87-010-405-080	CAP, ELECT 10-50V	.B
C	103	87-010-545-080	CAP, ELECT 0.22-50V	.B
C	104	87-010-545-080	CAP, ELECT 0.22-50V	.B
C	110	87-010-179-080	CAP,CHIP S B1200P	.B
C	119	87-010-197-080	CAP, CHIP 0.01 DM	.B
C	111	87-010-405-080	CAP, ELECT 10-50V	.B
C	112	87-010-405-080	CAP, ELECT 10-50V	.B
C	113	87-010-866-080	CAP, ELECT 10-63	.B
C	114	87-010-866-080	CAP, ELECT 10-63	.B
C	120	87-010-197-080	CAP, CHIP 0.01 DM	.B
C	125	87-012-368-080	C-CAP,S 0.1-50 F	.B
C	126	87-012-368-080	C-CAP,S 0.1-50 F	.B
C	127	87-012-368-080	C-CAP,S 0.1-50 F	.B
C	128	87-012-368-080	C-CAP,S 0.1-50 F	.B
C	133	87-010-186-080	CAP,CHIP 4700P	.B
C	140	87-010-182-080	C-CAP,S 2200P-50 B	.B
C	141	87-010-196-080	CHIP CAPACITOR,0.1-25	.B
R	145	87-A00-440-050	RES,220-1/2W J RP	.B
R	144	87-A00-440-050	RES,220-1/2W J RP	.B
R	143	87-A00-440-050	RES,220-1/2W J RP	.B
R	146	87-A00-440-050	RES,220-1/2W J RP	.B
C	206	87-010-179-080	CAP,CHIP S B1200P	.B
C	205	87-010-179-080	CAP,CHIP S B1200P	.B
C	204	87-010-182-080	C-CAP,S 2200P-50 B	.B
C	203	87-010-182-080	C-CAP,S 2200P-50 B	.B
C	209	87-010-402-080	CAP, ELECT 2.2-50V	.B
C	212	87-010-184-080	CHIP CAPACITOR 3300P(K)	.B
C	211	87-010-184-080	CHIP CAPACITOR 3300P(K)	.B
C	210	87-010-402-080	CAP, ELECT 2.2-50V	.B
C	214	87-010-402-080	CAP, ELECT 2.2-50V	.B
C	213	87-010-402-080	CAP, ELECT 2.2-50V	.B
C	218	87-010-405-080	CAP, ELECT 10-50V	.B
C	217	87-010-405-080	CAP, ELECT 10-50V	.B
C	223	87-010-190-080	S CHIP F 0.01	.B
C	224	87-010-190-080	S CHIP F 0.01	.B
C	229	87-010-196-080	CHIP CAPACITOR,0.1-25	.B
C	228	87-010-405-080	CAP, ELECT 10-50V	.B
C	220	87-010-405-080	CAP, ELECT 10-50V	.B
C	232	87-010-196-080	CHIP CAPACITOR,0.1-25	.B
C	230	87-010-196-080	CHIP CAPACITOR,0.1-25	.B
C	231	87-010-196-080	CHIP CAPACITOR,0.1-25	.B
C	239	87-010-196-080	CHIP CAPACITOR,0.1-25	.B
C	508	87-010-178-080	CHIP CAP 1000P	.B
C	507	87-010-196-080	CHIP CAPACITOR,0.1-25	.B
C	518	87-010-196-080	CHIP CAPACITOR,0.1-25	.B
C	519	87-010-401-080	CAP, ELECT 1-50V	.B
C	520	87-010-401-080	CAP, ELECT 1-50V	.B
C	525	87-010-545-080	CAP, ELECT 0.22-50V	.B
C	524	87-010-545-080	CAP, ELECT 0.22-50V	.B
C	523	87-010-545-080	CAP, ELECT 0.22-50V	.B
C	526	87-010-545-080	CAP, ELECT 0.22-50V	.B
C	521	87-010-546-080	CAP, ELECT 0.33-50V	.B
C	522	87-010-546-080	CAP, ELECT 0.33-50V	.B
C	1	87-010-387-080	CAP,E 470-25 SME	.B
C	31	87-010-403-040	CAP,E 3.3-50 SME	.B

MECHANICAL PARTS LIST - 1/2

NOTE: The characters in the suffix column indicate the part usage.

REF.NO	PARTS NO.	DESCRIPTION	SUFFIX
LHSC3MXX.....		B.....
		KANRI	
		NO.	
87-B00-002-010		BADGE,AIWA 30 ABS SIL
87-CE3-023-010		BADGE,AIWA 30N SILV	AB.....
8A-NF8-001-010		CABI,FR U	AB.....
8A-NF8-002-110		CABI,REAR USM
8A-NF8-003-010		BOX,CASS 1 U
8A-NF8-004-010		BOX,CASS 2 U
8A-NF8-005-010		PANEL, TOP	AB.....
8A-NF8-006-010		WINDOW, TOP	AB.....
8A-NF8-007-010		PANEL, LEFT V-2	AB.....
8A-NF8-008-010		PANEL, RIGHT V-2	AB.....
8A-NF8-009-110		PANEL, CD	AB.....
8A-NF8-010-010		PANEL, TRAY	AB.....
8A-NF8-011-010		WINDOW, TRAY	AB.....
8A-NF8-012-010		WINDOW, DISP U
8A-NF8-013-010		PANEL, FR U
8A-NF8-014-010		WINDOW, CASS 1	AB.....
8A-NF8-015-010		WINDOW, CASS 2	AB.....
8A-NF8-042-010		BOX, CASS 1H	AB.....
8A-NF8-043-010		BOX, CASS 2H	AB.....
8A-NF8-044-010		PANEL, FR H	AB.....
8A-NF8-045-010		PANEL, FR E
8A-NF8-046-010		WINDOW, DISP H	A.....
8A-NF8-047-010		WINDOW, DISP E
8A-NF8-048-010		PANEL, FR K
8A-NF8-061-010		CABI, REAR HRSM
8A-NF8-062-110		CABI, REAR LHSM
8A-NF8-063-110		CABI, REAR KSE
8A-NF8-064-110		CABI, REAR EZSE R
8A-NF8-065-110		CABI, REAR EZSE
8A-NF8-067-010		CABI, REAR VJSM
8A-NF8-068-110		CABI, REAR USFD
8A-NF8-069-110		CABI, REAR EZSM
8A-NF8-070-110		CABI, REAR EZSM R
8A-NF8-071-110		CABI, REAR KSM
8A-NF8-072-110		CABI, REAR HASM	.B.....
8A-NF8-073-110		CABI, REAR USC2
8A-NF8-074-110		CABI, REAR LHSC2
8A-NF8-075-010		CABI, REAR HS W/O SPEC
8A-NF8-076-010		CABI, REAR HR W/O SPEC
8A-NF8-078-010		CABI, REAR HRJSM	A.....
8A-NF8-079-010		CABI, REAR 40 EZSM
8A-NF8-080-010		CABI, REAR 42 EZSM R
8A-NF8-081-010		CABI, REAR 40 KSM
8A-NF8-091-010		WINDOW, DISP H40
8A-NF8-092-010		WINDOW, DISP E42
8A-NF8-093-010		WINDOW, DISP H50J	.B.....
8A-NF8-094-010		WINDOW, DISP H50E
8A-NF8-016-010		KEY, POWER	AB.....
8A-NF8-017-010		REFLECTOR, ECO	AB.....
8A-NF8-018-110		REFLECTOR, FUN	AB.....
8A-NF8-019-010		KNOB, RTRY JOG	AB.....
8A-NF8-020-010		KEY, FUN	AB.....
8A-NF8-022-010		KEY, GEO	AB.....
8A-NF8-028-110		KEY, CD EDIT U
8A-NF8-029-110		KEY, OPEN	AB.....
8A-NF8-030-110		KNOB, RTRY MIC	AB.....
8A-NF8-031-110		KEY, DISC	AB.....
8A-NF8-032-010		CAP, DISC	AB.....
8A-NF8-034-010		PANEL, DIRECT	AB.....
8A-NF8-035-110		KEY, ASSY OPE 1WAY
8A-NF8-036-110		KEY, ASSY OPE REV	AB.....
8A-NF8-037-110		KEY, CD EDIT H	AB.....
8A-NF8-038-110		KEY, CD EDIT E
81-532-080-010		LABEL, CASS. COMPT	AB.....
87-NF6-615-010		CONN ASSY, 3P PB	AB.....
87-NF6-616-010		CONN ASSY, 8P RPB	AB.....
84-ZG1-245-210		CAP, OPTICAL	AB.....
82-NF5-218-010		SPR-T, EJECT 1 (SIN)	AB.....
82-NF5-219-010		SPR-T, EJECT 2 (SIN)	AB.....
82-NF5-229-010		PLATE, LOCK	AB.....
85-NF7-599-010		PVC W 3.2-8-0.3
86-NF9-224-010		SPR-C, LOCK	AB.....
87-064-185-010		HLDR, WIRE	AB.....
87-NF4-216-010		HLDR, LOCK 1	AB.....
87-NF4-217-110		HLDR, LOCK 2	AB.....
87-NF4-221-010		HLDR, CABLE	AB.....
8A-DB8-209-010		HLDR, PWB PT	AB.....
8A-NF8-205-010		HLDR, IC	AB.....
8A-NF8-206-010		HLDR, PWB M	AB.....
8A-NF8-207-010		SPR-T, EJECT 1
8A-NF8-208-010		SPR-T, EJECT 2

MECHANICAL PARTS LIST -2/2

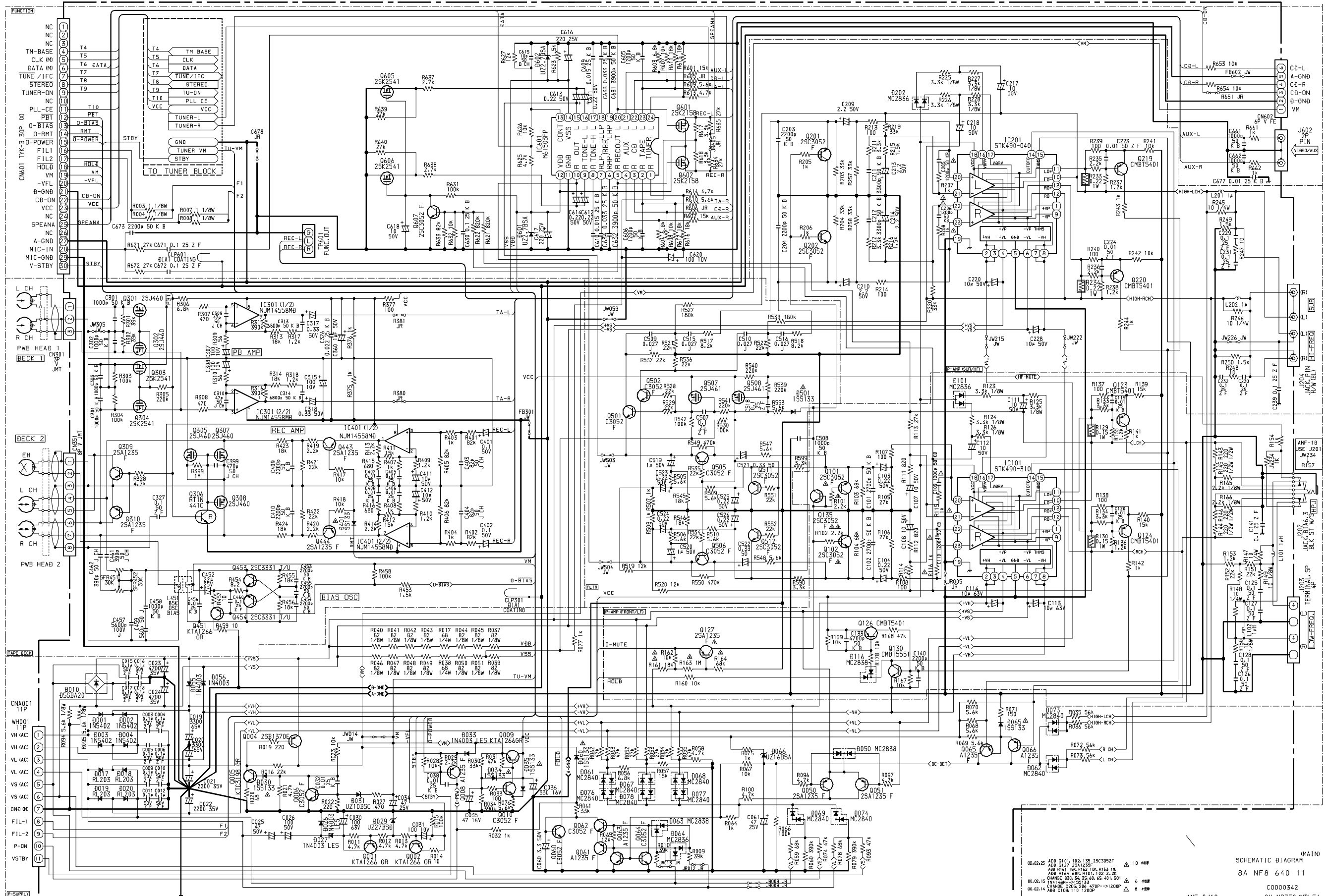
	8A-NF8-209-010	OIL-DMPR,120
	8A-NF8-216-010	HLDR, IC C
	8Z-NB8-240-010	COVER, PL	AB.....
	8Z-NF6-210-010	DMPR,150 N	AB.....
	87-067-581-010	TAPPING SCREW, BVT2+3-15	A.....
	87-067-641-010	UTT2+3-8 (W/O SLOT)BL	A.....
	87-067-688-010	BVTT+3-6	A.....
	87-067-703-010	TAPPING SCREW, BVT2+3-10	A.....
	87-078-191-010	S-SCREW,IT+4-10	AB.....
	87-721-096-410	QT2+3-10 GLD	A.....
	87-721-097-410	QT2+3-12 GLD	A.....
	87-723-096-410	QT2+3-10W/O SLOT BL	A.....
	87-NF4-224-010	S-SCREW,IT3B+3-8 CU	AB.....
	87-067-581-010	TAPPING SCREW, BVT2+3-15	.B.....
	87-067-641-010	UTT2+3-8 (W/O SLOT)BL	.B.....
	87-067-688-010	BVTT+3-6	.B.....
	87-067-703-010	TAPPING SCREW, BVT2+3-10	.B.....
	87-721-097-410	QT2+3-12 GLD	.B.....
	87-723-096-410	QT2+3-10W/O SLOT BL	.B.....
	88-NF8-205-010	GUIDE,FL	AB.....
*	8A-NF8-201-010	GUIDE,FUN	AB.....
*	8A-NF8-202-010	GUIDE,OPE 1WAY
*	8A-NF8-203-010	GUIDE,OPE REV	AB.....
	87-067-703-010	TAPPING SCREW, BVT2+3-10	A.....
	87-067-703-010	TAPPING SCREW, BVT2+3-10	.B.....
	87-085-185-010	BUSHING, AC CORD (E)	AB.....
	87-099-811-010	PLUG,ADPTR CONV(K)
	87-A91-422-010	BUSHING,AC CORD(U)
	88-906-251-110	FF-CABLE,6P 1.25	AB.....
	88-911-101-110	FF-CABLE,11P 1.25
	88-913-301-110	FF-CABLE,13P-1.25	AB.....
	88-915-101-110	FF-CABLE, 15P 1.25 100MM	AB.....
C	870	87-018-131-080	CAP, CER 1000P-50V
PT	1	8A-NF8-604-010	PT,ANF-8 U
PT	1	8A-NF8-605-010	PT,ANF-8 LH
PT	1	8A-NF8-608-010	PT,ANF-8 EZ
PT	1	8A-NFJ-608-010	PT,ANF-8 EZ(2)
W	1	87-A80-105-010	AC CORD ASSY,AZ
W	1	87-A80-110-010	AC CORD ASSY,U SPT-2W
W	1	87-A80-155-010	AC CORD ASSY,HS TS
W	1	87-A80-157-010	AC CORD ASSY,E BLK CC
WH	1	87-A91-179-010	HLDR,WIRE 2.5-11P
			AB.....

ACCESSORIES / PACKAGE LIST - 1/1

NOTE: The characters in the suffix column indicate the part usage.

REF.NO	PARTS NO.	XX KANRI NO.	DESCRIPTION	SUFFIX
LHSC3M		XX		B
8A-NF8-901-110			IB,H(ECA)M	A
8A-NF8-902-010			IB,LH(ESP)M	
8A-NF8-903-010			IB,U(ESF)M	
8A-NF8-905-010			IB,K(E)E	
8A-NF8-906-010			IB,EZ(9L)E	
8A-NF8-907-010			IB,V(ER)M	
8A-NF8-912-010			IB,LH(ESP)B	
8A-NF8-913-010			IB,U(ESF)B	
8A-NF8-915-010			IB,K(E)M	
8A-NF8-916-010			IB,EZ(9L)E- RDS	
8A-NF8-925-010			IB,K(E)M 40	
8A-NF8-926-010			IB,EZ(9L)M	
8A-NF8-927-010			IB,EZ(9L)M 42 (RDS)	
8A-NF8-928-010			IB,EZ(9L)M 40	
8A-NF8-936-010			IB,EZ(9L)M- RDS	
8A-NF8-930-010			IB,HA-KIT (ARG)	
8A-NF8-932-010			IB,LH-KIT (BRA)	B
87-006-225-010			AM LOOP ANT NC2	B
87-006-226-010			AM-LOOPANT C0	A
87-006-268-010			AM-LOOP ANT NC (UN)	
87-043-115-010			ANT,FEEDER FM	AB
87-A90-030-010			ANT,LOOP AM-NC C	
87-A90-118-010			ANT,WIRE FM (Z)	
87-A90-119-010			ANT,WIRE SW(5M)	A
87-A91-017-010			PLUG,CONVERSION JT-0476	A
8Z-NF8-702-010			RC UNIT,RC-ZAS01	AB
8Z-NF9-702-010			RC UNIT,ZAS02	

SCHEMATIC DIAGRAM - 1 (MAIN : FUNCTION / AMP)



00.02.25 ADD Q101, 102, 103, 25C3052F Δ 10 ●●
 ADD Q127, 25A1235F Δ 10 ●●
 ADD R114, 10K Δ 10 ●●
 ADD R164, R4C, R101, 102, 2.2K Δ 6 ●●
 CHANGE R55, 5K TO 4.7K Δ 6 ●●
 00.02.15 IN4003 Δ 6 ●●
 00.02.14 ADD C109, 110 2200P Δ 6 ●●

SCHEMATIC DIAGRAM (MAIN)
 8A NF8 640 11
 C0000342
 ANF-8/18 CX-NSZ50/NBL54
 25 FEB 2000

SCHEMATIC DIAGRAM - 2 (MAIN : TUNER)

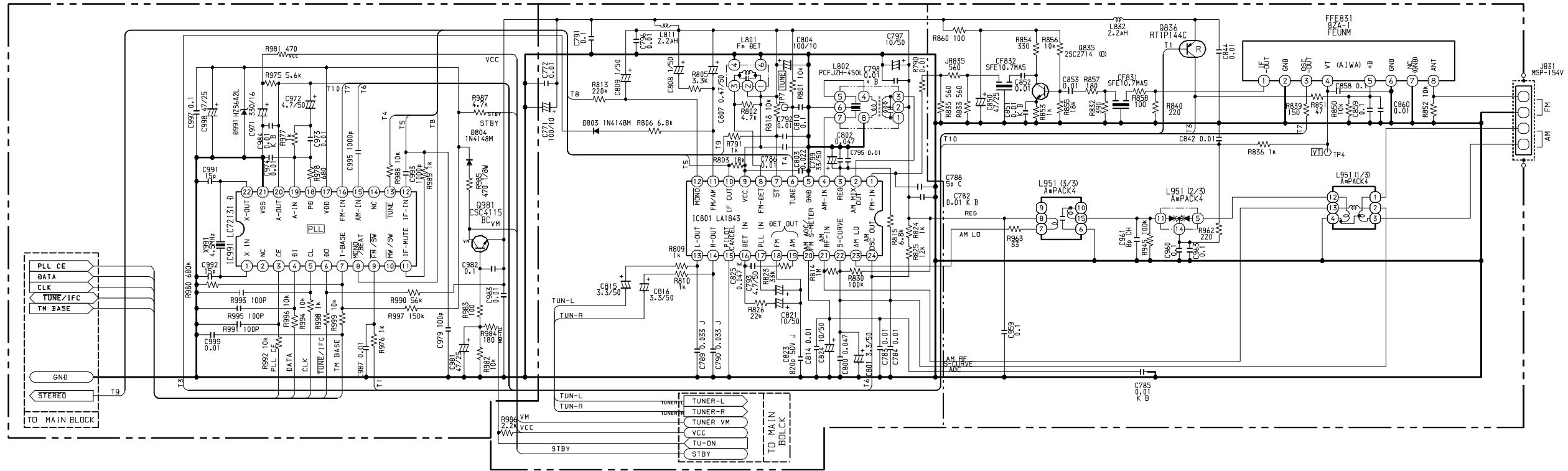
I FT COIL

	PARTS NO./ PARTS CODE		
	U/LH. EZ. K. G. V	HE/HR/HC	D/HD
1ST	87-A91-551-01 FLTR. PCFJZH-450 L (TOK)	87-A91-552-01 FLTR. CFMT-450AL (TOK)	87-A91-555-01 FLTR. PCFMT-060L (TOK)
2ND			
3RD			

AM PACK

	PARTS NO./ PARTS CODE	
	U/LH. D/HD. V	EZ. K. G
1ST	8A-NF8-667-01 COIL. AM PACK4 (TOK)	8A-NF8-668-01 COIL. AM PACK (TOK)
2ND		
3RD		

*EXCEPT SW BAND MODEL (HE/HR/HC)

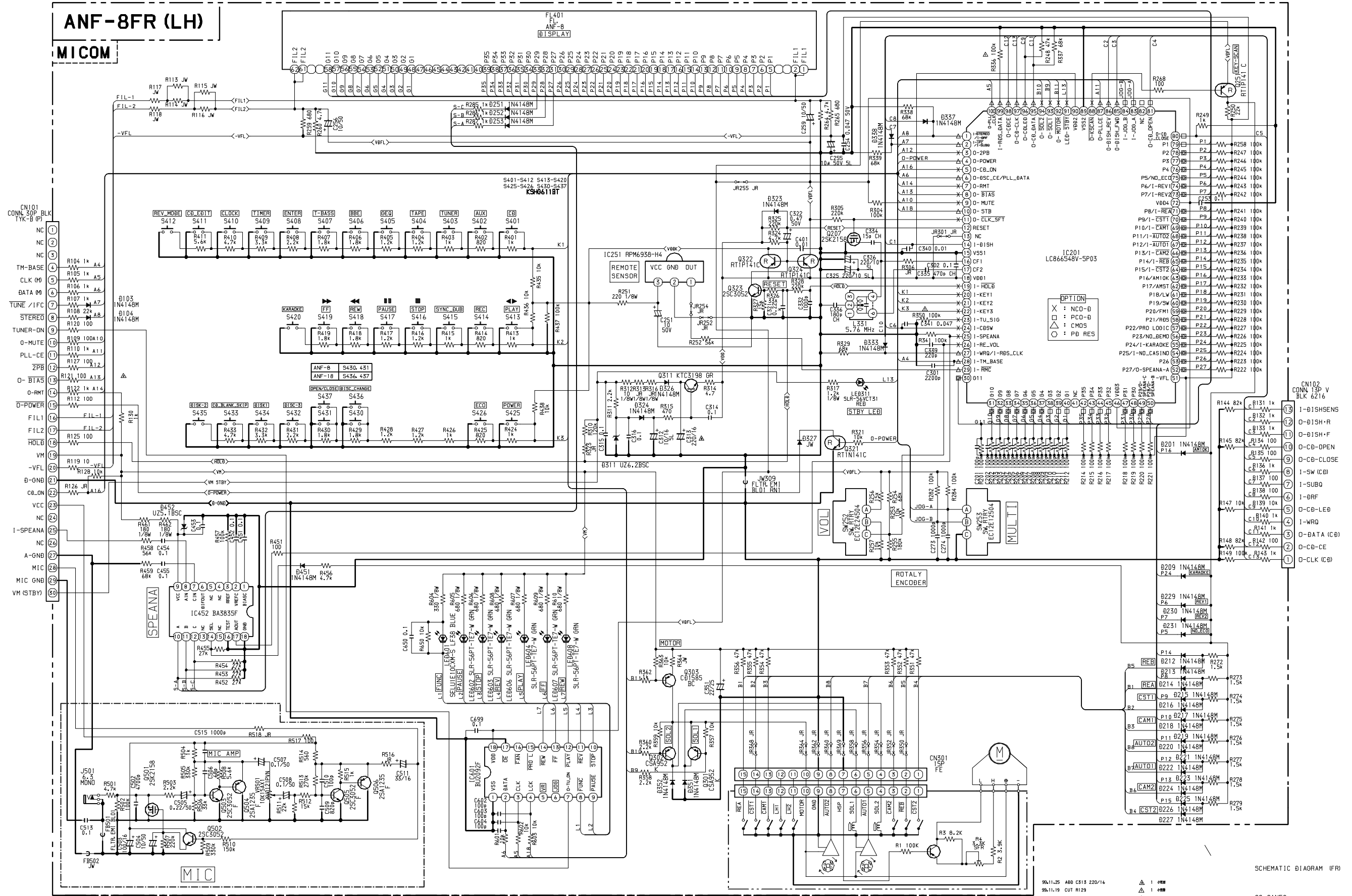


(TUNER)
SCHEMATIC DIAGRAM

QC-8ANF8-
ANF-8/18 U/LH CX-NAJ50/NS250
AKS4/RBL54
15 NOV 1999

Q-ANF-TUNER-LOW-Q

SCHEMATIC DIAGRAM - 3 (FRONT)

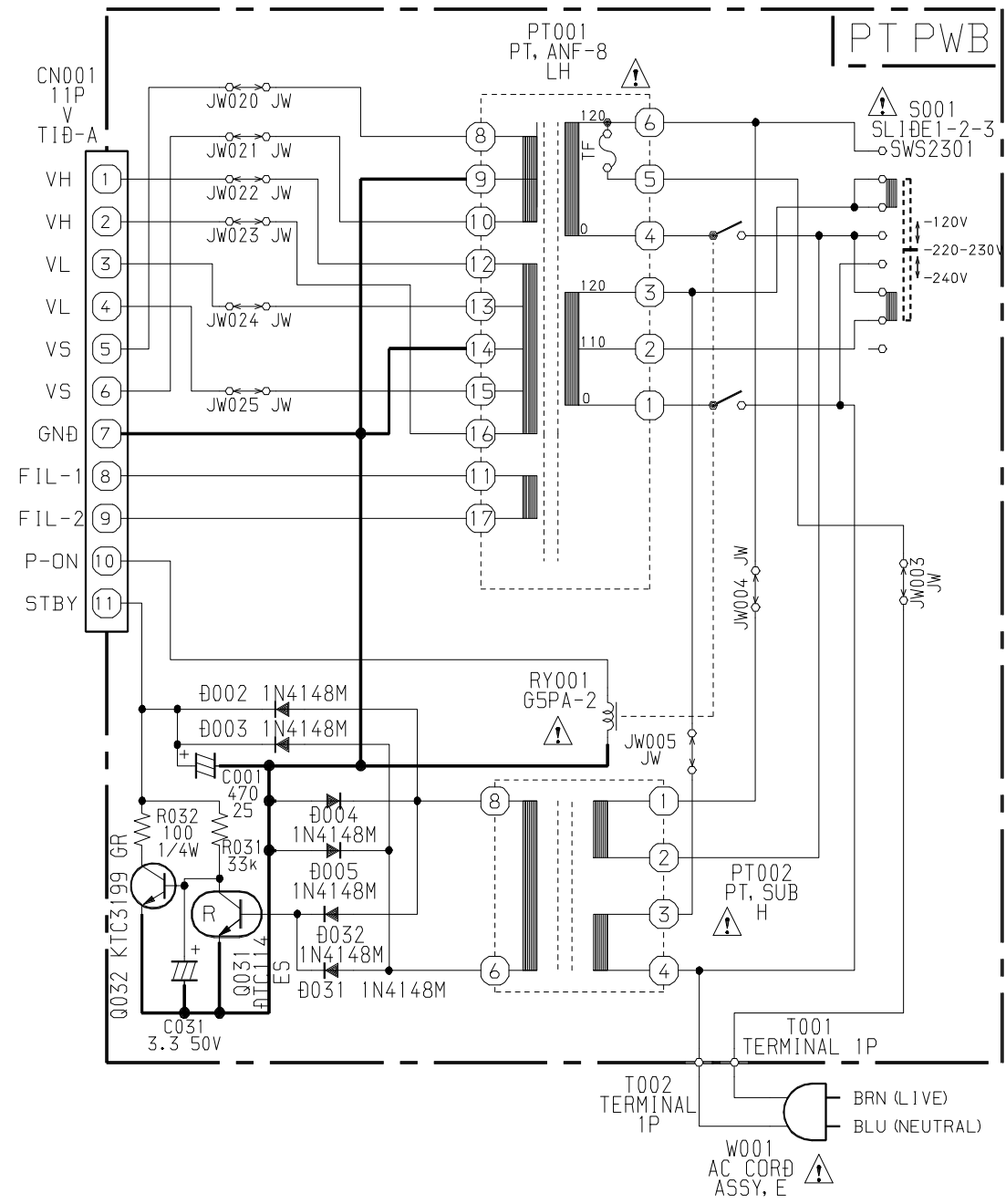


SCHEMATIC DIAGRAM (FR)

99.11.25 A80 C313 220/16
 99.11.19 CUT R129
 99.11.19 A80 R356 350

QC-BANF8-
 ANF-8/18 CX-NSZ50/NBL54LH
 25 NOV 1999

SCHEMATIC DIAGRAM - 4 (PT)



SCHEMATIC DIAGRAM (PT)

QC-8ANF8-
ANF-8/18 CX-NSZ50/NBP54
15 NOV 1999

B-ANF-8PT-LH

アイワ株式会社 〒110-8710 東京都台東区池之端1-2-11 ☎03(3827)3111 (代表)
AIWA CO.,LTD. 2-11, IKENOHATA 1-CHOME, TAITO-KU, TOKYO 110, JAPAN TEL:03 (3827) 3111