



**NSX-AJ310** U  
**NSX-SZ310** K, EZ, LH  
**NSX-SZ315** EZ  
**NSX-SZ510** LH

# SERVICE MANUAL

---

COMPACT DISC  
STEREO SYSTEM

BASIC TAPE MECHANISM : ZZM-3 PR1NF / PR1NM  
BASIC CD MECHANISM : BZG-5 YKZD3NF / ZD3NM

---

- Replace this Service manual with "Revision Publishing" when it is issued.

**aiwa**  
S/M Code No. 09-011-442-0T1

SIMPLE

DATA

# PARTS LIST

! =  $\Delta$  SAFTY PARTS  
 C = Components marked

All components used on this model at the production line are shown in this service manual.

However, please note that not all components will be available as spare parts for after-sales service.

Components marked S and O are designated as spare parts for service and will be stocked at the spare parts centers.

Components marked X and R are not designated as spare parts for after sales service, and will not be stocked at the spare parts centers.

K NO. = Only use japanese.

! C	UNIT NAME	REF NO.	PARTS CODE	K NO.	DESCRIPTION	SUFFIX	MODEL NAME
0	O AC	C	0085 87-010-831-080	0E	C-CAP,U 0.1-16 Z F	EZSFD	CX-NSZ315
0	O AC	C	0085 87-010-831-080	0E	C-CAP,U 0.1-16 Z F	EZSFD	CX-NSZ310
0	O AC	C	0085 87-010-831-080	0E	C-CAP,U 0.1-16 Z F	KSFD	CX-NSZ310
0	S AC	D	0082 87-A40-270-080	0E	C-DIODE,MC2838	EZSFD	CX-NSZ315
0	S AC	D	0082 87-A40-270-080	0E	C-DIODE,MC2838	EZSFD	CX-NSZ310
0	S AC	D	0082 87-A40-270-080	0E	C-DIODE,MC2838	KSFD	CX-NSZ310
0	S AC	D	0082 87-A40-270-080	0E	C-DIODE,MC2838	USM	CX-SNAJ310
0	S AC	D	0083 87-A40-269-080	0E	C-DIODE,MC2836	EZSFD	CX-NSZ315
0	S AC	D	0083 87-A40-269-080	0E	C-DIODE,MC2836	EZSFD	CX-NSZ310
0	S AC	D	0083 87-A40-269-080	0E	C-DIODE,MC2836	KSFD	CX-NSZ310
0	X AC	F	0081 88-100-000-010	0E	PLATING-JW, 0.58 SN95	EZSFD	CX-NSZ315
0	X AC	F	0081 88-100-000-010	0E	PLATING-JW, 0.58 SN95	EZSFD	CX-NSZ310
0	X AC	F	0081 88-100-000-010	0E	PLATING-JW, 0.58 SN95	KSFD	CX-NSZ310
0	X AC	F	0081 88-100-000-010	0E	PLATING-JW, 0.58 SN95	USM	CX-SNAJ310
0	O AC	PT	0081 8B-NF9-661-010	1B	PT,SUB BNF U (TAM)	USM	CX-SNAJ310
!	O AC	PT	0081 8B-NF9-665-010	1B	PT,SUB BNF E (TAM)	EZSFD	CX-NSZ315
0	O AC	PT	0081 8B-NF9-665-010	1B	PT,SUB BNF E (TAM)	EZSFD	CX-NSZ310
0	O AC	PT	0081 8B-NF9-665-010	1B	PT,SUB BNF E (TAM)	KSFD	CX-NSZ310
0	X AC	R	0097 88-140-225-080	0E	RES,2.2M-1/2W J	USM	CX-SNAJ310
!	O AC	RY	0081 87-A91-418-010	1B	RELAY,AC12V G5PA-1-M	EZSFD	CX-NSZ315
0	O AC	RY	0081 87-A91-418-010	1B	RELAY,AC12V G5PA-1-M	EZSFD	CX-NSZ310
0	O AC	RY	0081 87-A91-418-010	1B	RELAY,AC12V G5PA-1-M	KSFD	CX-NSZ310
0	O AC	RY	0081 87-A92-072-010	1A	RELAY,AC DC12V HRM3H-S-1POLE	USM	CX-SNAJ310
0	O AC	T	0081 87-A60-317-010	0E	TERMINAL, 1P MSC	EZSFD	CX-NSZ315
0	O AC	T	0081 87-A60-317-010	0E	TERMINAL, 1P MSC	EZSFD	CX-NSZ310
0	O AC	T	0081 87-A60-317-010	0E	TERMINAL, 1P MSC	KSFD	CX-NSZ310
0	O AC	T	0081 87-A60-317-010	0E	TERMINAL, 1P MSC	USM	CX-SNAJ310
0	O AC	T	0082 87-A60-317-010	0E	TERMINAL, 1P MSC	EZSFD	CX-NSZ315
0	O AC	T	0082 87-A60-317-010	0E	TERMINAL, 1P MSC	EZSFD	CX-NSZ310
0	O AC	T	0082 87-A60-317-010	0E	TERMINAL, 1P MSC	KSFD	CX-NSZ310
0	O AC	T	0082 87-A60-317-010	0E	TERMINAL, 1P MSC	USM	CX-SNAJ310
!	O AC	WH	0081 87-A90-510-010	0E	HLDR,WIRE 2.5-9P	EZSFD	CX-NSZ315
0	O AC	WH	0081 87-A90-510-010	0E	HLDR,WIRE 2.5-9P	EZSFD	CX-NSZ310
0	O AC	WH	0081 87-A90-510-010	0E	HLDR,WIRE 2.5-9P	KSFD	CX-NSZ310
0	O AC	WH	0081 87-A90-510-010	0E	HLDR,WIRE 2.5-9P	USM	CX-SNAJ310
0	O ACCESSORY		87-006-268-010	1C	ANT,LOOP AM	EZSFD	CX-NSZ315
0	O ACCESSORY		87-006-268-010	1C	ANT,LOOP AM	EZSFD	CX-NSZ310
0	O ACCESSORY		87-006-268-010	1C	ANT,LOOP AM	KSFD	CX-NSZ310
0	O ACCESSORY		87-006-268-010	1C	ANT,LOOP AM	LHSFD	CX-NSZ310
0	O ACCESSORY		87-006-268-010	1C	ANT,LOOP AM	LHSFD	CX-NSZ510
0	O ACCESSORY		87-043-115-010	1A	FEEDER-ANT, FM	LHSFD	CX-NSZ310
0	O ACCESSORY		87-043-115-010	1A	FEEDER-ANT, FM	LHSFD	CX-NSZ510
0	O ACCESSORY		87-043-115-010	1A	FEEDER-ANT, FM	USM	CX-SNAJ310
0	O ACCESSORY		87-A90-118-010	0E	ANT,WIRE FM (Z)	EZSFD	CX-NSZ315
0	O ACCESSORY		87-A90-118-010	0E	ANT,WIRE FM (Z)	EZSFD	CX-NSZ310
0	O ACCESSORY		87-A90-118-010	0E	ANT,WIRE FM (Z)	KSFD	CX-NSZ310
0	O ACCESSORY		87-A91-017-010	1A	PLUG,CONVERSION JT-0476	LHSFD	CX-NSZ310
0	O ACCESSORY		87-A91-017-010	1A	PLUG,CONVERSION JT-0476	LHSFD	CX-NSZ510
0	O ACCESSORY		8Z-NF9-702-010	1H	RC UNIT,ZAS02	EZSFD	CX-NSZ315
0	O ACCESSORY		8Z-NF9-702-010	1H	RC UNIT,ZAS02	EZSFD	CX-NSZ310
0	O ACCESSORY		8Z-NF9-702-010	1H	RC UNIT,ZAS02	KSFD	CX-NSZ310
0	O ACCESSORY		8Z-NF9-702-010	1H	RC UNIT,ZAS02	LHSFD	CX-NSZ310
0	O ACCESSORY		8Z-NF9-702-010	1H	RC UNIT,ZAS02	LHSFD	CX-NSZ510
0	O ACCESSORY		8Z-NF9-702-010	1H	RC UNIT,ZAS02	USM	CX-SNAJ310
!	O APPEARANCE	ANT	87-006-225-010	1D	ANT,LOOP ANT NC2	USM	CX-SNAJ310
0	O APPEARANCE		87-CE3-023-010	0E	BADGE,AIWA 30N SILV	EZSFD	CX-NSZ315
0	O APPEARANCE		87-CE3-023-010	0E	BADGE,AIWA 30N SILV	EZSFD	CX-NSZ310
0	O APPEARANCE		87-CE3-023-010	0E	BADGE,AIWA 30N SILV	KSFD	CX-NSZ310
0	O APPEARANCE		87-CE3-023-010	0E	BADGE,AIWA 30N SILV	LHSFD	CX-NSZ310
0	O APPEARANCE		87-CE3-023-010	0E	BADGE,AIWA 30N SILV	LHSFD	CX-NSZ510
0	O APPEARANCE		87-CE3-023-010	0E	BADGE,AIWA 30N SILV	USM	CX-SNAJ310
0	O APPEARANCE		8B-NF9-025-010	1B	PANEL,RIGHT	EZSFD	CX-NSZ315
0	O APPEARANCE		8B-NF9-025-010	1B	PANEL,RIGHT	EZSFD	CX-NSZ310
0	O APPEARANCE		8B-NF9-025-010	1B	PANEL,RIGHT	KSFD	CX-NSZ310
0	O APPEARANCE		8B-NF9-025-010	1B	PANEL,RIGHT	LHSFD	CX-NSZ310
0	O APPEARANCE		8B-NF9-025-010	1B	PANEL,RIGHT	LHSFD	CX-NSZ510
0	O APPEARANCE		8B-NF9-025-010	1B	PANEL,RIGHT	USM	CX-SNAJ310
0	O APPEARANCE		8B-NF9-026-010	1B	PANEL,LEFT	EZSFD	CX-NSZ315
0	O APPEARANCE		8B-NF9-026-010	1B	PANEL,LEFT	EZSFD	CX-NSZ310

# PARTS LIST

! =  $\Delta$  SAFTY PARTS  
 C = Components marked

All components used on this model at the production line are shown in this service manual.

However, please note that not all components will be available as spare parts for after-sales service.

Components marked S and O are designated as spare parts for service and will be stocked at the spare parts centers.

Components marked X and R are not designated as spare parts for after sales service, and will not be stocked at the spare parts centers.

K NO. = Only use japanese.

! C	UNIT NAME	REF NO.	PARTS CODE	K NO.	DESCRIPTION	SUFFIX	MODEL NAME
0 O	APPEARANCE		8B-NF9-026-010	1B	PANEL, LEFT	KSFD	CX-NSZ310
0 O	APPEARANCE		8B-NF9-026-010	1B	PANEL, LEFT	LHSFD	CX-NSZ310
0 O	APPEARANCE		8B-NF9-026-010	1B	PANEL, LEFT	LHSFD	CX-NSZ510
0 O	APPEARANCE		8B-NF9-026-010	1B	PANEL, LEFT	USM	CX-SNAJ310
0 O	APPEARANCE		8B-NF9-027-010	1C	PANEL, TOP	EZSFD	CX-NSZ315
0 O	APPEARANCE		8B-NF9-027-010	1C	PANEL, TOP	EZSFD	CX-NSZ310
0 O	APPEARANCE		8B-NF9-027-010	1C	PANEL, TOP	KSFD	CX-NSZ310
0 O	APPEARANCE		8B-NF9-027-010	1C	PANEL, TOP	LHSFD	CX-NSZ310
0 O	APPEARANCE		8B-NF9-027-010	1C	PANEL, TOP	LHSFD	CX-NSZ510
0 O	APPEARANCE		8B-NF9-027-010	1C	PANEL, TOP	USM	CX-SNAJ310
0 O	APPEARANCE		8B-NFY-001-010		CABI, FR U	USM	CX-SNAJ310
0 O	APPEARANCE		8B-NFY-002-010	1B	PANEL, TRAY	EZSFD	CX-NSZ315
0 O	APPEARANCE		8B-NFY-002-010		PANEL, TRAY	EZSFD	CX-NSZ310
0 O	APPEARANCE		8B-NFY-002-010		PANEL, TRAY	KSFD	CX-NSZ310
0 O	APPEARANCE		8B-NFY-002-010		PANEL, TRAY	LHSFD	CX-NSZ310
0 O	APPEARANCE		8B-NFY-002-010		PANEL, TRAY	LHSFD	CX-NSZ510
0 O	APPEARANCE		8B-NFY-002-010		PANEL, TRAY	USM	CX-SNAJ310
0 O	APPEARANCE		8B-NFY-003-010	1B	BOX, CASS 1	EZSFD	CX-NSZ315
0 O	APPEARANCE		8B-NFY-003-010		BOX, CASS 1	EZSFD	CX-NSZ310
0 O	APPEARANCE		8B-NFY-003-010		BOX, CASS 1	KSFD	CX-NSZ310
0 O	APPEARANCE		8B-NFY-003-010		BOX, CASS 1	LHSFD	CX-NSZ310
0 O	APPEARANCE		8B-NFY-003-010		BOX, CASS 1	LHSFD	CX-NSZ510
0 O	APPEARANCE		8B-NFY-003-010		BOX, CASS 1	USM	CX-SNAJ310
0 O	APPEARANCE		8B-NFY-004-010	1B	BOX, CASS 2	EZSFD	CX-NSZ315
0 O	APPEARANCE		8B-NFY-004-010		BOX, CASS 2	EZSFD	CX-NSZ310
0 O	APPEARANCE		8B-NFY-004-010		BOX, CASS 2	KSFD	CX-NSZ310
0 O	APPEARANCE		8B-NFY-004-010		BOX, CASS 2	LHSFD	CX-NSZ310
0 O	APPEARANCE		8B-NFY-004-010		BOX, CASS 2	LHSFD	CX-NSZ510
0 O	APPEARANCE		8B-NFY-004-010		BOX, CASS 2	USM	CX-SNAJ310
0 O	APPEARANCE		8B-NFY-005-010	1A	WINDOW, DISP U	EZSFD	CX-NSZ315
0 O	APPEARANCE		8B-NFY-005-010	1A	WINDOW, DISP U	EZSFD	CX-NSZ310
0 O	APPEARANCE		8B-NFY-005-010	1A	WINDOW, DISP U	KSFD	CX-NSZ310
0 O	APPEARANCE		8B-NFY-005-010	1A	WINDOW, DISP U	LHSFD	CX-NSZ310
0 O	APPEARANCE		8B-NFY-005-010	1A	WINDOW, DISP U	LHSFD	CX-NSZ510
0 O	APPEARANCE		8B-NFY-005-010	1A	WINDOW, DISP U	USM	CX-SNAJ310
0 O	APPEARANCE		8B-NFY-006-010		PANEL, FR U	USM	CX-SNAJ310
0 O	APPEARANCE		8B-NFY-007-010	0E	WINDOW, CASS 1	EZSFD	CX-NSZ315
0 O	APPEARANCE		8B-NFY-007-010	0E	WINDOW, CASS 1	EZSFD	CX-NSZ310
0 O	APPEARANCE		8B-NFY-007-010	0E	WINDOW, CASS 1	KSFD	CX-NSZ310
0 O	APPEARANCE		8B-NFY-007-010	0E	WINDOW, CASS 1	LHSFD	CX-NSZ310
0 O	APPEARANCE		8B-NFY-007-010	0E	WINDOW, CASS 1	LHSFD	CX-NSZ510
0 O	APPEARANCE		8B-NFY-007-010	0E	WINDOW, CASS 1	USM	CX-SNAJ310
0 O	APPEARANCE		8B-NFY-008-010	0E	WINDOW, CASS 2	EZSFD	CX-NSZ315
0 O	APPEARANCE		8B-NFY-008-010	0E	WINDOW, CASS 2	EZSFD	CX-NSZ310
0 O	APPEARANCE		8B-NFY-008-010	0E	WINDOW, CASS 2	KSFD	CX-NSZ310
0 O	APPEARANCE		8B-NFY-008-010	0E	WINDOW, CASS 2	LHSFD	CX-NSZ310
0 O	APPEARANCE		8B-NFY-008-010	0E	WINDOW, CASS 2	LHSFD	CX-NSZ510
0 O	APPEARANCE		8B-NFY-008-010	0E	WINDOW, CASS 2	USM	CX-SNAJ310
0 O	APPEARANCE		8B-NFY-017-010	0E	PANEL, CD	EZSFD	CX-NSZ310
0 O	APPEARANCE		8B-NFY-017-010	0E	PANEL, CD	KSFD	CX-NSZ310
0 O	APPEARANCE		8B-NFY-017-010	0E	PANEL, CD	LHSFD	CX-NSZ510
0 O	APPEARANCE		8B-NFY-017-010	0E	PANEL, CD	USM	CX-SNAJ310
0 O	APPEARANCE		8B-NFY-017-110	0E	PANEL, CD	EZSFD	CX-NSZ315
0 O	APPEARANCE		8B-NFY-019-010	--	CABI, FR LH	EZSFD	CX-NSZ310
0 O	APPEARANCE		8B-NFY-019-010	--	CABI, FR LH	KSFD	CX-NSZ310
0 O	APPEARANCE		8B-NFY-019-010	--	CABI, FR LH	LHSFD	CX-NSZ310
0 O	APPEARANCE		8B-NFY-019-010	--	CABI, FR LH	LHSFD	CX-NSZ510
0 O	APPEARANCE		8B-NFY-021-010	--	PANEL, FR E RDS	EZSFD	CX-NSZ315
0 O	APPEARANCE		8B-NFY-022-010	--	CABI, FR EZ RDS	EZSFD	CX-NSZ315
0 O	APPEARANCE		8B-NFY-035-010	--	PANEL, FR LH	EZSFD	CX-NSZ310
0 O	APPEARANCE		8B-NFY-035-010	--	PANEL, FR LH	KSFD	CX-NSZ310
0 O	APPEARANCE		8B-NFY-035-010	--	PANEL, FR LH	LHSFD	CX-NSZ310
0 O	APPEARANCE		8B-NFY-038-010	--	PANEL, FR 510	LHSFD	CX-NSZ510
0 O	APPEARANCE		8B-NFY-048-010	1B	CABI, REAR USM	USM	CX-SNAJ310
0 O	APPEARANCE		8B-NFY-057-010	--	CABI, REAR LHSFD	LHSFD	CX-NSZ310
0 O	APPEARANCE		8B-NFY-058-010	--	CABI, REAR KSFD	KSFD	CX-NSZ310
0 O	APPEARANCE		8B-NFY-059-010	--	CABI, REAR EZSFD	EZSFD	CX-NSZ310
0 O	APPEARANCE		8B-NFY-060-010	--	CABI, REAR LHSFD 510	LHSFD	CX-NSZ510
0 O	APPEARANCE		8B-NFY-061-010	--	CABI, REAR EZSFD RDS	EZSFD	CX-NSZ315

# PARTS LIST

! =  $\Delta$  SAFTY PARTS  
 C = Components marked

All components used on this model at the production line are shown in this service manual.

However, please note that not all components will be available as spare parts for after-sales service.

Components marked S and O are designated as spare parts for service and will be stocked at the spare parts centers.

Components marked X and R are not designated as spare parts for after sales service, and will not be stocked at the spare parts centers.

K NO. = Only use japanese.

! C	UNIT NAME	REF NO.	PARTS CODE	K NO.	DESCRIPTION	SUFFIX	MODEL NAME
0 X	CD		M8-BZG-590-030	--	BZG-5 ZD3NM	USM	CX-SNAJ310
X	CD		M8-BZG-593-040	--	BZG-5 YKZD3NF	EZSFD	CX-NSZ315
0 X	CD		M8-BZG-593-040	--	BZG-5 YKZD3NF	EZSFD	CX-NSZ310
0 X	CD		M8-BZG-593-040	--	BZG-5 YKZD3NF	KSFD	CX-NSZ310
0 X	CD		M8-BZG-593-040	--	BZG-5 YKZD3NF	LHSFD	CX-NSZ310
0 X	CD		M8-BZG-593-040	--	BZG-5 YKZD3NF	LHSFD	CX-NSZ510
! X	ELECTRICAL		87-069-033-010	0E	CABLE,TIE	EZSFD	CX-NSZ315
0 X	ELECTRICAL		87-069-033-010	0E	CABLE,TIE	EZSFD	CX-NSZ310
0 X	ELECTRICAL		87-069-033-010	0E	CABLE,TIE	KSFD	CX-NSZ310
0 X	ELECTRICAL		87-069-033-010	0E	CABLE,TIE	LHSFD	CX-NSZ310
0 X	ELECTRICAL		87-069-033-010	0E	CABLE,TIE	LHSFD	CX-NSZ510
0 X	ELECTRICAL		87-069-033-010	0E	CABLE,TIE	USM	CX-SNAJ310
! 0	ELECTRICAL		87-085-185-010	0E	BUSHING,AC CORD(E) CM-22B	EZSFD	CX-NSZ315
0 0	ELECTRICAL		87-085-185-010	0E	BUSHING,AC CORD(E) CM-22B	EZSFD	CX-NSZ310
0 0	ELECTRICAL		87-085-185-010	0E	BUSHING,AC CORD(E) CM-22B	KSFD	CX-NSZ310
0 0	ELECTRICAL		87-085-185-010	0E	BUSHING,AC CORD(E) CM-22B	LHSFD	CX-NSZ310
0 0	ELECTRICAL		87-085-185-010	0E	BUSHING,AC CORD(E) CM-22B	LHSFD	CX-NSZ510
0 0	ELECTRICAL		87-099-811-010	1E	PLUG,ADPTR CONV(K)	KSFD	CX-NSZ310
0 0	ELECTRICAL		87-A91-422-010	1D	BUSHING,AC CORD(U)	USM	CX-SNAJ310
0 0	ELECTRICAL		88-906-251-110	1A	FF-CABLE,6P 1.25	EZSFD	CX-NSZ315
0 0	ELECTRICAL		88-906-251-110	1A	FF-CABLE,6P 1.25	EZSFD	CX-NSZ310
0 0	ELECTRICAL		88-906-251-110	1A	FF-CABLE,6P 1.25	KSFD	CX-NSZ310
0 0	ELECTRICAL		88-906-251-110	1A	FF-CABLE,6P 1.25	LHSFD	CX-NSZ310
0 0	ELECTRICAL		88-906-251-110	1A	FF-CABLE,6P 1.25	LHSFD	CX-NSZ510
0 0	ELECTRICAL		88-908-301-110	1A	FF-CABLE,8P 1.25	USM	CX-SNAJ310
0 0	ELECTRICAL		88-908-301-110	1A	FF-CABLE,8P 1.25	EZSFD	CX-NSZ315
0 0	ELECTRICAL		88-908-301-110	1A	FF-CABLE,8P 1.25	EZSFD	CX-NSZ310
0 0	ELECTRICAL		88-908-301-110	1A	FF-CABLE,8P 1.25	KSFD	CX-NSZ310
0 0	ELECTRICAL		88-908-301-110	1A	FF-CABLE,8P 1.25	LHSFD	CX-NSZ310
0 0	ELECTRICAL		88-908-301-110	1A	FF-CABLE,8P 1.25	LHSFD	CX-NSZ510
0 0	ELECTRICAL		88-908-301-110	1A	FF-CABLE,8P 1.25	USM	CX-SNAJ310
0 0	ELECTRICAL		88-911-101-110	0E	FF-CABLE,11P 1.25	EZSFD	CX-NSZ315
0 0	ELECTRICAL		88-911-101-110	0E	FF-CABLE,11P 1.25	EZSFD	CX-NSZ310
0 0	ELECTRICAL		88-911-101-110	0E	FF-CABLE,11P 1.25	KSFD	CX-NSZ310
0 0	ELECTRICAL		88-911-101-110	0E	FF-CABLE,11P 1.25	LHSFD	CX-NSZ310
0 0	ELECTRICAL		88-911-101-110	0E	FF-CABLE,11P 1.25	LHSFD	CX-NSZ510
0 0	ELECTRICAL		88-911-101-110	0E	FF-CABLE,11P 1.25	USM	CX-SNAJ310
0 0	ELECTRICAL	PT 0001	8B-NF9-615-010	2P	PT,BNF-9 LH	LHSFD	CX-NSZ310
0 0	ELECTRICAL	PT 0001	8B-NF9-616-010	2M	PT,BNF-9 EZ-LOW	EZSFD	CX-NSZ310
0 0	ELECTRICAL	PT 0001	8B-NF9-616-010	2M	PT,BNF-9 EZ-LOW	KSFD	CX-NSZ310
0 0	ELECTRICAL	PT 0001	8B-NFY-610-010	2M	PT,BNF-Y U	USM	CX-SNAJ310
0 0	ELECTRICAL	PT 0001	8B-NFY-615-010	--	PT,BNF-Y LH-HI	LHSFD	CX-NSZ510
! 0	ELECTRICAL	PT 0001	8B-NFY-694-010	--	PT,BNF-Y EZ	EZSFD	CX-NSZ315
0 0	ELECTRICAL	W 0001	87-A80-149-010	1B	AC CORD ASSY,U BLK	USM	CX-SNAJ310
! 0	ELECTRICAL	W 0001	87-A80-157-010	1B	AC CORD ASSY,E BLK CC	EZSFD	CX-NSZ315
0 0	ELECTRICAL	W 0001	87-A80-157-010	1B	AC CORD ASSY,E BLK CC	EZSFD	CX-NSZ310
0 0	ELECTRICAL	W 0001	87-A80-157-010	1B	AC CORD ASSY,E BLK CC	KSFD	CX-NSZ310
0 0	ELECTRICAL	W 0001	87-A80-157-010	1B	AC CORD ASSY,E BLK CC	LHSFD	CX-NSZ310
0 0	ELECTRICAL	W 0001	87-A80-157-010	1B	AC CORD ASSY,E BLK CC	LHSFD	CX-NSZ510
0 0	FRCB MECHA		8B-NFY-201-010	0E	GUIDE,FL 100-40 BNFY	EZSFD	CX-NSZ315
0 0	FRCB MECHA		8B-NFY-201-010	0E	GUIDE,FL 100-40 BNFY	EZSFD	CX-NSZ310
0 0	FRCB MECHA		8B-NFY-201-010	0E	GUIDE,FL 100-40 BNFY	KSFD	CX-NSZ310
0 0	FRCB MECHA		8B-NFY-201-010	0E	GUIDE,FL 100-40 BNFY	LHSFD	CX-NSZ310
0 0	FRCB MECHA		8B-NFY-201-010	0E	GUIDE,FL 100-40 BNFY	LHSFD	CX-NSZ510
0 0	FRCB MECHA		8B-NFY-201-010	0E	GUIDE,FL 100-40 BNFY	USM	CX-SNAJ310
0 0	FUNC/E.VR	C 0605	87-012-280-080	0E	C-CAP,U 3300P-50 K B	EZSFD	CX-NSZ315
0 0	FUNC/E.VR	C 0605	87-012-280-080	0E	C-CAP,U 3300P-50 K B	EZSFD	CX-NSZ310
0 0	FUNC/E.VR	C 0605	87-012-280-080	0E	C-CAP,U 3300P-50 K B	KSFD	CX-NSZ310
0 0	FUNC/E.VR	C 0605	87-012-280-080	0E	C-CAP,U 3300P-50 K B	LHSFD	CX-NSZ310
0 0	FUNC/E.VR	C 0605	87-012-280-080	0E	C-CAP,U 3300P-50 K B	LHSFD	CX-NSZ510
0 0	FUNC/E.VR	C 0605	87-012-280-080	0E	C-CAP,U 3300P-50 K B	USM	CX-SNAJ310
0 0	FUNC/E.VR	C 0606	87-012-280-080	0E	C-CAP,U 3300P-50 K B	EZSFD	CX-NSZ315
0 0	FUNC/E.VR	C 0606	87-012-280-080	0E	C-CAP,U 3300P-50 K B	EZSFD	CX-NSZ310
0 0	FUNC/E.VR	C 0606	87-012-280-080	0E	C-CAP,U 3300P-50 K B	KSFD	CX-NSZ310
0 0	FUNC/E.VR	C 0606	87-012-280-080	0E	C-CAP,U 3300P-50 K B	LHSFD	CX-NSZ310
0 0	FUNC/E.VR	C 0606	87-012-280-080	0E	C-CAP,U 3300P-50 K B	LHSFD	CX-NSZ510
0 0	FUNC/E.VR	C 0606	87-012-280-080	0E	C-CAP,U 3300P-50 K B	USM	CX-SNAJ310
0 0	FUNC/E.VR	C 0609	87-010-785-080	0E	C-CAP,U 0.015-25 K B GRM	EZSFD	CX-NSZ315
0 0	FUNC/E.VR	C 0609	87-010-785-080	0E	C-CAP,U 0.015-25 K B GRM	EZSFD	CX-NSZ310
0 0	FUNC/E.VR	C 0609	87-010-785-080	0E	C-CAP,U 0.015-25 K B GRM	KSFD	CX-NSZ310

# PARTS LIST

! =  $\Delta$  SAFTY PARTS  
 C = Components marked

All components used on this model at the production line are shown in this service manual.

However, please note that not all components will be available as spare parts for after-sales service.

Components marked S and O are designated as spare parts for service and will be stocked at the spare parts centers.

Components marked X and R are not designated as spare parts for after sales service, and will not be stocked at the spare parts centers.

K NO. = Only use japanese.

! C	UNIT NAME	REF NO.	PARTS CODE	K NO.	DESCRIPTION	SUFFIX	MODEL NAME
0 O	FUNC/E.VR	C 0609	87-010-785-080	0E	C-CAP,U 0.015-25 K B GRM	LHSFD	CX-NSZ310
0 O	FUNC/E.VR	C 0609	87-010-785-080	0E	C-CAP,U 0.015-25 K B GRM	LHSFD	CX-NSZ510
0 O	FUNC/E.VR	C 0609	87-010-785-080	0E	C-CAP,U 0.015-25 K B GRM	USM	CX-SNAJ310
0 O	FUNC/E.VR	C 0610	87-010-785-080	0E	C-CAP,U 0.015-25 K B GRM	EZSFD	CX-NSZ315
0 O	FUNC/E.VR	C 0610	87-010-785-080	0E	C-CAP,U 0.015-25 K B GRM	EZSFD	CX-NSZ310
0 O	FUNC/E.VR	C 0610	87-010-785-080	0E	C-CAP,U 0.015-25 K B GRM	KSFD	CX-NSZ310
0 O	FUNC/E.VR	C 0610	87-010-785-080	0E	C-CAP,U 0.015-25 K B GRM	LHSFD	CX-NSZ310
0 O	FUNC/E.VR	C 0610	87-010-785-080	0E	C-CAP,U 0.015-25 K B GRM	LHSFD	CX-NSZ510
0 O	FUNC/E.VR	C 0610	87-010-785-080	0E	C-CAP,U 0.015-25 K B GRM	USM	CX-SNAJ310
0 O	FUNC/E.VR	C 0611	87-A12-084-080	0E	CAP,E 0.22-50 SMG	EZSFD	CX-NSZ315
0 O	FUNC/E.VR	C 0611	87-A12-084-080	0E	CAP,E 0.22-50 SMG	EZSFD	CX-NSZ310
0 O	FUNC/E.VR	C 0611	87-A12-084-080	0E	CAP,E 0.22-50 SMG	KSFD	CX-NSZ310
0 O	FUNC/E.VR	C 0611	87-A12-084-080	0E	CAP,E 0.22-50 SMG	LHSFD	CX-NSZ310
0 O	FUNC/E.VR	C 0611	87-A12-084-080	0E	CAP,E 0.22-50 SMG	LHSFD	CX-NSZ510
0 O	FUNC/E.VR	C 0611	87-A12-084-080	0E	CAP,E 0.22-50 SMG	USM	CX-SNAJ310
0 O	FUNC/E.VR	C 0612	87-A12-084-080	0E	CAP,E 0.22-50 SMG	EZSFD	CX-NSZ315
0 O	FUNC/E.VR	C 0612	87-A12-084-080	0E	CAP,E 0.22-50 SMG	EZSFD	CX-NSZ310
0 O	FUNC/E.VR	C 0612	87-A12-084-080	0E	CAP,E 0.22-50 SMG	EZSFD	CX-NSZ310
0 O	FUNC/E.VR	C 0612	87-A12-084-080	0E	CAP,E 0.22-50 SMG	KSFD	CX-NSZ310
0 O	FUNC/E.VR	C 0612	87-A12-084-080	0E	CAP,E 0.22-50 SMG	LHSFD	CX-NSZ310
0 O	FUNC/E.VR	C 0612	87-A12-084-080	0E	CAP,E 0.22-50 SMG	LHSFD	CX-NSZ510
0 O	FUNC/E.VR	C 0612	87-A12-084-080	0E	CAP,E 0.22-50 SMG	USM	CX-SNAJ310
0 O	FUNC/E.VR	C 0613	87-A12-084-080	0E	CAP,E 0.22-50 SMG	EZSFD	CX-NSZ315
0 O	FUNC/E.VR	C 0613	87-A12-084-080	0E	CAP,E 0.22-50 SMG	EZSFD	CX-NSZ310
0 O	FUNC/E.VR	C 0613	87-A12-084-080	0E	CAP,E 0.22-50 SMG	EZSFD	CX-NSZ310
0 O	FUNC/E.VR	C 0613	87-A12-084-080	0E	CAP,E 0.22-50 SMG	KSFD	CX-NSZ310
0 O	FUNC/E.VR	C 0613	87-A12-084-080	0E	CAP,E 0.22-50 SMG	LHSFD	CX-NSZ310
0 O	FUNC/E.VR	C 0613	87-A12-084-080	0E	CAP,E 0.22-50 SMG	LHSFD	CX-NSZ510
0 O	FUNC/E.VR	C 0613	87-A12-084-080	0E	CAP,E 0.22-50 SMG	USM	CX-SNAJ310
0 O	FUNC/E.VR	C 0614	87-A12-084-080	0E	CAP,E 0.22-50 SMG	EZSFD	CX-NSZ315
0 O	FUNC/E.VR	C 0614	87-A12-084-080	0E	CAP,E 0.22-50 SMG	EZSFD	CX-NSZ310
0 O	FUNC/E.VR	C 0614	87-A12-084-080	0E	CAP,E 0.22-50 SMG	KSFD	CX-NSZ310
0 O	FUNC/E.VR	C 0614	87-A12-084-080	0E	CAP,E 0.22-50 SMG	LHSFD	CX-NSZ310
0 O	FUNC/E.VR	C 0614	87-A12-084-080	0E	CAP,E 0.22-50 SMG	LHSFD	CX-NSZ510
0 O	FUNC/E.VR	C 0614	87-A12-084-080	0E	CAP,E 0.22-50 SMG	USM	CX-SNAJ310
0 O	FUNC/E.VR	C 0615	87-012-172-080	0E	C-CAP,U 10P-50 D CH	EZSFD	CX-NSZ315
0 O	FUNC/E.VR	C 0615	87-012-172-080	0E	C-CAP,U 10P-50 D CH	EZSFD	CX-NSZ310
0 O	FUNC/E.VR	C 0615	87-012-172-080	0E	C-CAP,U 10P-50 D CH	KSFD	CX-NSZ310
0 O	FUNC/E.VR	C 0615	87-012-172-080	0E	C-CAP,U 10P-50 D CH	LHSFD	CX-NSZ310
0 O	FUNC/E.VR	C 0615	87-012-172-080	0E	C-CAP,U 10P-50 D CH	LHSFD	CX-NSZ510
0 O	FUNC/E.VR	C 0615	87-012-172-080	0E	C-CAP,U 10P-50 D CH	USM	CX-SNAJ310
0 O	FUNC/E.VR	C 0616	87-016-459-080	0E	CAP,E 470-10 M SMG	EZSFD	CX-NSZ315
0 O	FUNC/E.VR	C 0616	87-016-459-080	0E	CAP,E 470-10 M SMG	EZSFD	CX-NSZ310
0 O	FUNC/E.VR	C 0616	87-016-459-080	0E	CAP,E 470-10 M SMG	KSFD	CX-NSZ310
0 O	FUNC/E.VR	C 0616	87-016-459-080	0E	CAP,E 470-10 M SMG	LHSFD	CX-NSZ310
0 O	FUNC/E.VR	C 0616	87-016-459-080	0E	CAP,E 470-10 M SMG	LHSFD	CX-NSZ510
0 O	FUNC/E.VR	C 0616	87-016-459-080	0E	CAP,E 470-10 M SMG	USM	CX-SNAJ310
0 O	FUNC/E.VR	C 0617	87-016-459-080	0E	CAP,E 470-10 M SMG	EZSFD	CX-NSZ315
0 O	FUNC/E.VR	C 0617	87-016-459-080	0E	CAP,E 470-10 M SMG	EZSFD	CX-NSZ310
0 O	FUNC/E.VR	C 0617	87-016-459-080	0E	CAP,E 470-10 M SMG	EZSFD	CX-NSZ310
0 O	FUNC/E.VR	C 0617	87-016-459-080	0E	CAP,E 470-10 M SMG	KSFD	CX-NSZ310
0 O	FUNC/E.VR	C 0617	87-016-459-080	0E	CAP,E 470-10 M SMG	LHSFD	CX-NSZ310
0 O	FUNC/E.VR	C 0617	87-016-459-080	0E	CAP,E 470-10 M SMG	LHSFD	CX-NSZ510
0 O	FUNC/E.VR	C 0617	87-016-459-080	0E	CAP,E 470-10 M SMG	USM	CX-SNAJ310
0 O	FUNC/E.VR	C 0618	87-A12-091-080	0E	CAP,E 10-50 SMG	EZSFD	CX-NSZ315
0 O	FUNC/E.VR	C 0618	87-A12-091-080	0E	CAP,E 10-50 SMG	EZSFD	CX-NSZ310
0 O	FUNC/E.VR	C 0618	87-A12-091-080	0E	CAP,E 10-50 SMG	KSFD	CX-NSZ310
0 O	FUNC/E.VR	C 0618	87-A12-091-080	0E	CAP,E 10-50 SMG	LHSFD	CX-NSZ310
0 O	FUNC/E.VR	C 0618	87-A12-091-080	0E	CAP,E 10-50 SMG	LHSFD	CX-NSZ510
0 O	FUNC/E.VR	C 0618	87-A12-091-080	0E	CAP,E 10-50 SMG	USM	CX-SNAJ310
0 O	FUNC/E.VR	C 0620	87-010-263-080	0E	CAP,E 100-10 M 11L SME	EZSFD	CX-NSZ315
0 O	FUNC/E.VR	C 0620	87-010-263-080	0E	CAP,E 100-10 M 11L SME	EZSFD	CX-NSZ310
0 O	FUNC/E.VR	C 0620	87-010-263-080	0E	CAP,E 100-10 M 11L SME	KSFD	CX-NSZ310
0 O	FUNC/E.VR	C 0620	87-010-263-080	0E	CAP,E 100-10 M 11L SME	LHSFD	CX-NSZ310
0 O	FUNC/E.VR	C 0620	87-010-263-080	0E	CAP,E 100-10 M 11L SME	LHSFD	CX-NSZ510
0 O	FUNC/E.VR	C 0620	87-010-263-080	0E	CAP,E 100-10 M 11L SME	USM	CX-SNAJ310
0 O	FUNC/E.VR	C 0623	87-A12-372-080	0E	CAP,M 0.047-100 J CP	EZSFD	CX-NSZ315
0 O	FUNC/E.VR	C 0623	87-A12-372-080	0E	CAP,M 0.047-100 J CP	EZSFD	CX-NSZ310
0 O	FUNC/E.VR	C 0623	87-A12-372-080	0E	CAP,M 0.047-100 J CP	KSFD	CX-NSZ310
0 O	FUNC/E.VR	C 0623	87-A12-372-080	0E	CAP,M 0.047-100 J CP	LHSFD	CX-NSZ310
0 O	FUNC/E.VR	C 0623	87-A12-372-080	0E	CAP,M 0.047-100 J CP	LHSFD	CX-NSZ510
0 O	FUNC/E.VR	C 0623	87-A12-372-080	0E	CAP,M 0.047-100 J CP	USM	CX-SNAJ310
0 O	FUNC/E.VR	C 0624	87-A12-372-080	0E	CAP,M 0.047-100 J CP	EZSFD	CX-NSZ315

# PARTS LIST

! =  $\Delta$  SAFTY PARTS  
 C = Components marked

All components used on this model at the production line are shown in this service manual.

However, please note that not all components will be available as spare parts for after-sales service.

Components marked S and O are designated as spare parts for service and will be stocked at the spare parts centers.

Components marked X and R are not designated as spare parts for after sales service, and will not be stocked at the spare parts centers.

K NO. = Only use japanese.

! C	UNIT NAME	REF NO.	PARTS CODE	K NO.	DESCRIPTION	SUFFIX	MODEL NAME
0 O	FUNC/E.VR	C 0624	87-A12-372-080	0E	CAP,M 0.047-100 J CP	EZSFD	CX-NSZ310
0 O	FUNC/E.VR	C 0624	87-A12-372-080	0E	CAP,M 0.047-100 J CP	KSFD	CX-NSZ310
0 O	FUNC/E.VR	C 0624	87-A12-372-080	0E	CAP,M 0.047-100 J CP	LHSFD	CX-NSZ310
0 O	FUNC/E.VR	C 0624	87-A12-372-080	0E	CAP,M 0.047-100 J CP	LHSFD	CX-NSZ510
0 O	FUNC/E.VR	C 0624	87-A12-372-080	0E	CAP,M 0.047-100 J CP	USM	CX-SNAJ310
0 O	FUNC/E.VR	C 0630	87-016-669-080	0E	C-CAP,S 0.1-25 K B	EZSFD	CX-NSZ315
0 O	FUNC/E.VR	C 0630	87-016-669-080	0E	C-CAP,S 0.1-25 K B	EZSFD	CX-NSZ310
0 O	FUNC/E.VR	C 0630	87-016-669-080	0E	C-CAP,S 0.1-25 K B	KSFD	CX-NSZ310
0 O	FUNC/E.VR	C 0630	87-016-669-080	0E	C-CAP,S 0.1-25 K B	LHSFD	CX-NSZ310
0 O	FUNC/E.VR	C 0630	87-016-669-080	0E	C-CAP,S 0.1-25 K B	USM	CX-SNAJ310
0 O	FUNC/E.VR	C 0630	87-A10-260-080	0E	C-CAP,U 0.1-16 K B	LHSFD	CX-NSZ510
0 O	FUNC/E.VR	C 0631	87-012-281-080	0E	C-CAP,U 3900P-50 K B GRM	EZSFD	CX-NSZ315
0 O	FUNC/E.VR	C 0631	87-012-281-080	0E	C-CAP,U 3900P-50 K B GRM	EZSFD	CX-NSZ310
0 O	FUNC/E.VR	C 0631	87-012-281-080	0E	C-CAP,U 3900P-50 K B GRM	KSFD	CX-NSZ310
0 O	FUNC/E.VR	C 0631	87-012-281-080	0E	C-CAP,U 3900P-50 K B GRM	LHSFD	CX-NSZ310
0 O	FUNC/E.VR	C 0631	87-012-281-080	0E	C-CAP,U 3900P-50 K B GRM	LHSFD	CX-NSZ510
0 O	FUNC/E.VR	C 0631	87-012-281-080	0E	C-CAP,U 3900P-50 K B GRM	USM	CX-SNAJ310
0 O	FUNC/E.VR	C 0632	87-012-281-080	0E	C-CAP,U 3900P-50 K B GRM	EZSFD	CX-NSZ315
0 O	FUNC/E.VR	C 0632	87-012-281-080	0E	C-CAP,U 3900P-50 K B GRM	EZSFD	CX-NSZ310
0 O	FUNC/E.VR	C 0632	87-012-281-080	0E	C-CAP,U 3900P-50 K B GRM	KSFD	CX-NSZ310
0 O	FUNC/E.VR	C 0632	87-012-281-080	0E	C-CAP,U 3900P-50 K B GRM	LHSFD	CX-NSZ310
0 O	FUNC/E.VR	C 0632	87-012-281-080	0E	C-CAP,U 3900P-50 K B GRM	LHSFD	CX-NSZ510
0 O	FUNC/E.VR	C 0632	87-012-281-080	0E	C-CAP,U 3900P-50 K B GRM	USM	CX-SNAJ310
0 O	FUNC/E.VR	C 0632	87-012-281-080	0E	C-CAP,U 3900P-50 K B GRM	EZSFD	CX-NSZ315
0 O	FUNC/E.VR	C 0633	87-A11-070-080	0E	C-CAP,U 0.033-16 K B	EZSFD	CX-NSZ310
0 O	FUNC/E.VR	C 0633	87-A11-070-080	0E	C-CAP,U 0.033-16 K B	EZSFD	CX-NSZ310
0 O	FUNC/E.VR	C 0633	87-A11-070-080	0E	C-CAP,U 0.033-16 K B	KSFD	CX-NSZ310
0 O	FUNC/E.VR	C 0633	87-A11-070-080	0E	C-CAP,U 0.033-16 K B	LHSFD	CX-NSZ310
0 O	FUNC/E.VR	C 0633	87-A11-070-080	0E	C-CAP,U 0.033-16 K B	LHSFD	CX-NSZ510
0 O	FUNC/E.VR	C 0633	87-A11-070-080	0E	C-CAP,U 0.033-16 K B	USM	CX-SNAJ310
0 O	FUNC/E.VR	C 0634	87-A11-070-080	0E	C-CAP,U 0.033-16 K B	EZSFD	CX-NSZ315
0 O	FUNC/E.VR	C 0634	87-A11-070-080	0E	C-CAP,U 0.033-16 K B	EZSFD	CX-NSZ310
0 O	FUNC/E.VR	C 0634	87-A11-070-080	0E	C-CAP,U 0.033-16 K B	KSFD	CX-NSZ310
0 O	FUNC/E.VR	C 0634	87-A11-070-080	0E	C-CAP,U 0.033-16 K B	LHSFD	CX-NSZ310
0 O	FUNC/E.VR	C 0634	87-A11-070-080	0E	C-CAP,U 0.033-16 K B	LHSFD	CX-NSZ510
0 O	FUNC/E.VR	C 0661	87-012-336-080	0E	C-CAP,U 330P-50 J SL	USM	CX-SNAJ310
0 O	FUNC/E.VR	C 0661	87-012-336-080	0E	C-CAP,U 330P-50 J SL	EZSFD	CX-NSZ315
0 O	FUNC/E.VR	C 0661	87-012-336-080	0E	C-CAP,U 330P-50 J SL	EZSFD	CX-NSZ310
0 O	FUNC/E.VR	C 0661	87-012-336-080	0E	C-CAP,U 330P-50 J SL	EZSFD	CX-NSZ310
0 O	FUNC/E.VR	C 0661	87-012-336-080	0E	C-CAP,U 330P-50 J SL	KSFD	CX-NSZ310
0 O	FUNC/E.VR	C 0661	87-012-336-080	0E	C-CAP,U 330P-50 J SL	LHSFD	CX-NSZ310
0 O	FUNC/E.VR	C 0661	87-012-336-080	0E	C-CAP,U 330P-50 J SL	LHSFD	CX-NSZ510
0 O	FUNC/E.VR	C 0662	87-012-336-080	0E	C-CAP,U 330P-50 J SL	USM	CX-SNAJ310
0 O	FUNC/E.VR	C 0662	87-012-336-080	0E	C-CAP,U 330P-50 J SL	EZSFD	CX-NSZ315
0 O	FUNC/E.VR	C 0662	87-012-336-080	0E	C-CAP,U 330P-50 J SL	EZSFD	CX-NSZ310
0 O	FUNC/E.VR	C 0662	87-012-336-080	0E	C-CAP,U 330P-50 J SL	EZSFD	CX-NSZ310
0 O	FUNC/E.VR	C 0662	87-012-336-080	0E	C-CAP,U 330P-50 J SL	KSFD	CX-NSZ310
0 O	FUNC/E.VR	C 0662	87-012-336-080	0E	C-CAP,U 330P-50 J SL	LHSFD	CX-NSZ310
0 O	FUNC/E.VR	C 0662	87-012-336-080	0E	C-CAP,U 330P-50 J SL	LHSFD	CX-NSZ510
0 O	FUNC/E.VR	C 0662	87-012-336-080	0E	C-CAP,U 330P-50 J SL	USM	CX-SNAJ310
0 O	FUNC/E.VR	C 0669	87-012-274-080	0E	C-CAP,U 1000P-50 K B	EZSFD	CX-NSZ315
0 O	FUNC/E.VR	C 0669	87-012-274-080	0E	C-CAP,U 1000P-50 K B	EZSFD	CX-NSZ310
0 O	FUNC/E.VR	C 0669	87-012-274-080	0E	C-CAP,U 1000P-50 K B	KSFD	CX-NSZ310
0 O	FUNC/E.VR	C 0670	87-012-274-080	0E	C-CAP,U 1000P-50 K B	EZSFD	CX-NSZ315
0 O	FUNC/E.VR	C 0670	87-012-274-080	0E	C-CAP,U 1000P-50 K B	EZSFD	CX-NSZ310
0 O	FUNC/E.VR	C 0670	87-012-274-080	0E	C-CAP,U 1000P-50 K B	KSFD	CX-NSZ310
0 O	FUNC/E.VR	C 0677	87-012-286-080	0E	C-CAP,U 0.01-25 K B	EZSFD	CX-NSZ315
0 O	FUNC/E.VR	C 0677	87-012-286-080	0E	C-CAP,U 0.01-25 K B	EZSFD	CX-NSZ310
0 O	FUNC/E.VR	C 0677	87-012-286-080	0E	C-CAP,U 0.01-25 K B	KSFD	CX-NSZ310
0 O	FUNC/E.VR	C 0677	87-012-286-080	0E	C-CAP,U 0.01-25 K B	LHSFD	CX-NSZ310
0 O	FUNC/E.VR	C 0677	87-012-286-080	0E	C-CAP,U 0.01-25 K B	LHSFD	CX-NSZ510
0 O	FUNC/E.VR	C 0677	87-012-286-080	0E	C-CAP,U 0.01-25 K B	USM	CX-SNAJ310
0 O	FUNC/E.VR	C 0678	88-108-000-080	0E	C-JUMPER,U	EZSFD	CX-NSZ315
0 X	FUNC/E.VR	C 0678	88-108-000-080	0E	C-JUMPER,U	EZSFD	CX-NSZ310
0 X	FUNC/E.VR	C 0678	88-108-000-080	0E	C-JUMPER,U	KSFD	CX-NSZ310
0 X	FUNC/E.VR	C 0678	88-108-000-080	0E	C-JUMPER,U	LHSFD	CX-NSZ310
0 X	FUNC/E.VR	C 0678	88-108-000-080	0E	C-JUMPER,U	LHSFD	CX-NSZ510
0 X	FUNC/E.VR	C 0678	88-108-000-080	0E	C-JUMPER,U	USM	CX-SNAJ310
! O	FUNC/E.VR	CN 0601	87-099-719-010	1B	CONN,30P H BLK TYK-B(X)	EZSFD	CX-NSZ315
0 O	FUNC/E.VR	CN 0601	87-099-719-010	1B	CONN,30P H BLK TYK-B(X)	EZSFD	CX-NSZ310
0 O	FUNC/E.VR	CN 0601	87-099-719-010	1B	CONN,30P H BLK TYK-B(X)	KSFD	CX-NSZ310
0 O	FUNC/E.VR	CN 0601	87-099-719-010	1B	CONN,30P H BLK TYK-B(X)	LHSFD	CX-NSZ310
0 O	FUNC/E.VR	CN 0601	87-099-719-010	1B	CONN,30P H BLK TYK-B(X)	LHSFD	CX-NSZ510

# PARTS LIST

! =  $\Delta$  SAFTY PARTS  
 C = Components marked

All components used on this model at the production line are shown in this service manual.

However, please note that not all components will be available as spare parts for after-sales service.

Components marked S and O are designated as spare parts for service and will be stocked at the spare parts centers.

Components marked X and R are not designated as spare parts for after sales service, and will not be stocked at the spare parts centers.

K NO. = Only use japanese.

! C	UNIT NAME	REF NO.	PARTS CODE	K NO.	DESCRIPTION	SUFFIX	MODEL NAME
!	O FUNC/E.VR	CN 0601	87-099-719-010	1B	CONN,30P H BLK TYK-B(X)	USM	CX-SNAJ310
!	O FUNC/E.VR	CN 0602	87-A60-131-010	0E	CONN,6P V FE	EZSFD	CX-NSZ315
!	O FUNC/E.VR	CN 0602	87-A60-131-010	0E	CONN,6P V FE	EZSFD	CX-NSZ310
!	O FUNC/E.VR	CN 0602	87-A60-131-010	0E	CONN,6P V FE	KSFD	CX-NSZ310
!	O FUNC/E.VR	CN 0602	87-A60-131-010	0E	CONN,6P V FE	LHSFD	CX-NSZ310
!	O FUNC/E.VR	CN 0602	87-A60-131-010	0E	CONN,6P V FE	LHSFD	CX-NSZ510
!	O FUNC/E.VR	CN 0602	87-A60-131-010	0E	CONN,6P V FE	USM	CX-SNAJ310
!	S FUNC/E.VR	D 0601	87-A40-739-080	0E	ZENER,UZ2.7BSA	EZSFD	CX-NSZ315
!	O S FUNC/E.VR	D 0601	87-A40-739-080	0E	ZENER,UZ2.7BSA	EZSFD	CX-NSZ310
!	O S FUNC/E.VR	D 0601	87-A40-739-080	0E	ZENER,UZ2.7BSA	KSFD	CX-NSZ310
	O S FUNC/E.VR	D 0601	87-A40-739-080	0E	ZENER,UZ2.7BSA	LHSFD	CX-NSZ310
	O S FUNC/E.VR	D 0601	87-A40-739-080	0E	ZENER,UZ2.7BSA	LHSFD	CX-NSZ510
	O S FUNC/E.VR	D 0601	87-A40-739-080	0E	ZENER,UZ2.7BSA	USM	CX-SNAJ310
	X FUNC/E.VR	FB 0602	88-100-000-010	0E	PLATING-JW, 0.58 SN95	EZSFD	CX-NSZ315
	O X FUNC/E.VR	FB 0602	88-100-000-010	0E	PLATING-JW, 0.58 SN95	LHSFD	CX-NSZ310
	O X FUNC/E.VR	FB 0602	88-100-000-010	0E	PLATING-JW, 0.58 SN95	KSFD	CX-NSZ310
	O X FUNC/E.VR	FB 0602	88-100-000-010	0E	PLATING-JW, 0.58 SN95	LHSFD	CX-NSZ310
	O X FUNC/E.VR	FB 0602	88-100-000-010	0E	PLATING-JW, 0.58 SN95	LHSFD	CX-NSZ510
	O X FUNC/E.VR	FB 0602	88-100-000-010	0E	PLATING-JW, 0.58 SN95	USM	CX-SNAJ310
	S FUNC/E.VR	IC 0601	87-A21-401-040	1C	C-IC,M61503FP	EZSFD	CX-NSZ315
	O S FUNC/E.VR	IC 0601	87-A21-401-040	1C	C-IC,M61503FP	EZSFD	CX-NSZ310
	O S FUNC/E.VR	IC 0601	87-A21-401-040	1C	C-IC,M61503FP	KSFD	CX-NSZ310
	O S FUNC/E.VR	IC 0601	87-A21-401-040	1C	C-IC,M61503FP	LHSFD	CX-NSZ310
	O S FUNC/E.VR	IC 0601	87-A21-401-040	1C	C-IC,M61503FP	LHSFD	CX-NSZ510
	O S FUNC/E.VR	IC 0601	87-A21-401-040	1C	C-IC,M61503FP	USM	CX-SNAJ310
	O FUNC/E.VR	J 0602	87-A60-881-010	0E	JACK,PIN 2P MSP 242V05 PBSN	EZSFD	CX-NSZ315
	O O FUNC/E.VR	J 0602	87-A60-881-010	0E	JACK,PIN 2P MSP 242V05 PBSN	EZSFD	CX-NSZ310
	O O FUNC/E.VR	J 0602	87-A60-881-010	0E	JACK,PIN 2P MSP 242V05 PBSN	KSFD	CX-NSZ310
	O O FUNC/E.VR	J 0602	87-A60-881-010	0E	JACK,PIN 2P MSP 242V05 PBSN	LHSFD	CX-NSZ310
	O O FUNC/E.VR	J 0602	87-A60-881-010	0E	JACK,PIN 2P MSP 242V05 PBSN	LHSFD	CX-NSZ510
	O O FUNC/E.VR	J 0602	87-A60-881-010	0E	JACK,PIN 2P MSP 242V05 PBSN	USM	CX-SNAJ310
	X FUNC/E.VR	JR 0601	88-108-000-080	0E	C-JUMPER,U	EZSFD	CX-NSZ315
	O X FUNC/E.VR	JR 0601	88-108-000-080	0E	C-JUMPER,U	EZSFD	CX-NSZ310
	O X FUNC/E.VR	JR 0601	88-108-000-080	0E	C-JUMPER,U	KSFD	CX-NSZ310
	O X FUNC/E.VR	JR 0601	88-108-000-080	0E	C-JUMPER,U	LHSFD	CX-NSZ310
	O X FUNC/E.VR	JR 0601	88-108-000-080	0E	C-JUMPER,U	LHSFD	CX-NSZ510
	O X FUNC/E.VR	JR 0601	88-108-000-080	0E	C-JUMPER,U	USM	CX-SNAJ310
	X FUNC/E.VR	JR 0605	88-108-000-080	0E	C-JUMPER,U	EZSFD	CX-NSZ315
	O X FUNC/E.VR	JR 0605	88-108-000-080	0E	C-JUMPER,U	EZSFD	CX-NSZ310
	O X FUNC/E.VR	JR 0605	88-108-000-080	0E	C-JUMPER,U	KSFD	CX-NSZ310
	O X FUNC/E.VR	JR 0605	88-108-000-080	0E	C-JUMPER,U	LHSFD	CX-NSZ310
	O X FUNC/E.VR	JR 0605	88-108-000-080	0E	C-JUMPER,U	LHSFD	CX-NSZ510
	O X FUNC/E.VR	JR 0605	88-108-000-080	0E	C-JUMPER,U	USM	CX-SNAJ310
	X FUNC/E.VR	JR 0606	88-129-000-080	0E	C-JUMPER,3216	EZSFD	CX-NSZ315
	O X FUNC/E.VR	JR 0606	88-129-000-080	0E	C-JUMPER,3216	EZSFD	CX-NSZ310
	O X FUNC/E.VR	JR 0606	88-129-000-080	0E	C-JUMPER,3216	KSFD	CX-NSZ310
	O X FUNC/E.VR	JR 0606	88-129-000-080	0E	C-JUMPER,3216	LHSFD	CX-NSZ310
	O X FUNC/E.VR	JR 0606	88-129-000-080	0E	C-JUMPER,3216	LHSFD	CX-NSZ510
	O X FUNC/E.VR	JR 0606	88-129-000-080	0E	C-JUMPER,3216	USM	CX-SNAJ310
	X FUNC/E.VR	JR 0607	88-108-000-080	0E	C-JUMPER,U	EZSFD	CX-NSZ315
	O X FUNC/E.VR	JR 0607	88-108-000-080	0E	C-JUMPER,U	EZSFD	CX-NSZ310
	O X FUNC/E.VR	JR 0607	88-108-000-080	0E	C-JUMPER,U	KSFD	CX-NSZ310
	O X FUNC/E.VR	JR 0607	88-108-000-080	0E	C-JUMPER,U	LHSFD	CX-NSZ310
	O X FUNC/E.VR	JR 0607	88-108-000-080	0E	C-JUMPER,U	LHSFD	CX-NSZ510
	O X FUNC/E.VR	JR 0607	88-108-000-080	0E	C-JUMPER,U	USM	CX-SNAJ310
	O X FUNC/E.VR	JR 0612	88-129-000-080	0E	C-JUMPER,3216	EZSFD	CX-NSZ310
	O X FUNC/E.VR	JR 0612	88-129-000-080	0E	C-JUMPER,3216	KSFD	CX-NSZ310
	O X FUNC/E.VR	JR 0612	88-129-000-080	0E	C-JUMPER,3216	LHSFD	CX-NSZ310

# PARTS LIST

! =  $\Delta$  SAFTY PARTS  
 C = Components marked

All components used on this model at the production line are shown in this service manual.

However, please note that not all components will be available as spare parts for after-sales service.

Components marked S and O are designated as spare parts for service and will be stocked at the spare parts centers.

Components marked X and R are not designated as spare parts for after sales service, and will not be stocked at the spare parts centers.

K NO. = Only use japanese.

! C	UNIT NAME	REF NO.	PARTS CODE	K NO.	DESCRIPTION	SUFFIX	MODEL NAME
0 X	FUNC/E.VR	JR 0612	88-129-000-080	0E	C-JUMPER, 3216	LHSFD	CX-NSZ510
0 X	FUNC/E.VR	JR 0612	88-129-000-080	0E	C-JUMPER, 3216	USM	CX-SNAJ310
0 X	FUNC/E.VR	JR 0613	88-129-000-080	0E	C-JUMPER, 3216	EZSFD	CX-NSZ310
0 X	FUNC/E.VR	JR 0613	88-129-000-080	0E	C-JUMPER, 3216	KSFD	CX-NSZ310
0 X	FUNC/E.VR	JR 0613	88-129-000-080	0E	C-JUMPER, 3216	LHSFD	CX-NSZ310
0 X	FUNC/E.VR	JR 0613	88-129-000-080	0E	C-JUMPER, 3216	LHSFD	CX-NSZ510
0 X	FUNC/E.VR	JR 0613	88-129-000-080	0E	C-JUMPER, 3216	USM	CX-SNAJ310
0 X	FUNC/E.VR	JR 0614	88-129-000-080	0E	C-JUMPER, 3216	EZSFD	CX-NSZ310
0 X	FUNC/E.VR	JR 0614	88-129-000-080	0E	C-JUMPER, 3216	KSFD	CX-NSZ310
0 X	FUNC/E.VR	JR 0614	88-129-000-080	0E	C-JUMPER, 3216	LHSFD	CX-NSZ310
0 X	FUNC/E.VR	JR 0614	88-129-000-080	0E	C-JUMPER, 3216	LHSFD	CX-NSZ510
0 X	FUNC/E.VR	JR 0614	88-129-000-080	0E	C-JUMPER, 3216	USM	CX-SNAJ310
0 X	FUNC/E.VR	JR 0615	88-129-000-080	0E	C-JUMPER, 3216	EZSFD	CX-NSZ310
0 X	FUNC/E.VR	JR 0615	88-129-000-080	0E	C-JUMPER, 3216	KSFD	CX-NSZ310
0 X	FUNC/E.VR	JR 0615	88-129-000-080	0E	C-JUMPER, 3216	LHSFD	CX-NSZ310
0 X	FUNC/E.VR	JR 0615	88-129-000-080	0E	C-JUMPER, 3216	LHSFD	CX-NSZ510
0 X	FUNC/E.VR	JR 0615	88-129-000-080	0E	C-JUMPER, 3216	USM	CX-SNAJ310
X	FUNC/E.VR	JR 0616	88-108-000-080	0E	C-JUMPER, U	EZSFD	CX-NSZ315
0 X	FUNC/E.VR	JR 0616	88-108-000-080	0E	C-JUMPER, U	EZSFD	CX-NSZ310
0 X	FUNC/E.VR	JR 0616	88-108-000-080	0E	C-JUMPER, U	KSFD	CX-NSZ310
0 X	FUNC/E.VR	JR 0616	88-108-000-080	0E	C-JUMPER, U	LHSFD	CX-NSZ310
0 X	FUNC/E.VR	JR 0616	88-108-000-080	0E	C-JUMPER, U	LHSFD	CX-NSZ510
0 X	FUNC/E.VR	JR 0616	88-108-000-080	0E	C-JUMPER, U	USM	CX-SNAJ310
S	FUNC/E.VR	Q 0601	87-A30-087-080	0E	C-FET, 2SK2158	EZSFD	CX-NSZ315
0 S	FUNC/E.VR	Q 0601	87-A30-087-080	0E	C-FET, 2SK2158	EZSFD	CX-NSZ310
0 S	FUNC/E.VR	Q 0601	87-A30-087-080	0E	C-FET, 2SK2158	KSFD	CX-NSZ310
0 S	FUNC/E.VR	Q 0601	87-A30-087-080	0E	C-FET, 2SK2158	LHSFD	CX-NSZ310
0 S	FUNC/E.VR	Q 0601	87-A30-087-080	0E	C-FET, 2SK2158	LHSFD	CX-NSZ510
0 S	FUNC/E.VR	Q 0601	87-A30-087-080	0E	C-FET, 2SK2158	USM	CX-SNAJ310
S	FUNC/E.VR	Q 0602	87-A30-087-080	0E	C-FET, 2SK2158	EZSFD	CX-NSZ315
0 S	FUNC/E.VR	Q 0602	87-A30-087-080	0E	C-FET, 2SK2158	EZSFD	CX-NSZ310
0 S	FUNC/E.VR	Q 0602	87-A30-087-080	0E	C-FET, 2SK2158	KSFD	CX-NSZ310
0 S	FUNC/E.VR	Q 0602	87-A30-087-080	0E	C-FET, 2SK2158	LHSFD	CX-NSZ310
0 S	FUNC/E.VR	Q 0602	87-A30-087-080	0E	C-FET, 2SK2158	LHSFD	CX-NSZ510
0 S	FUNC/E.VR	Q 0602	87-A30-087-080	0E	C-FET, 2SK2158	USM	CX-SNAJ310
S	FUNC/E.VR	Q 0605	87-A30-090-080	0E	FET, 2SK2541	EZSFD	CX-NSZ315
0 S	FUNC/E.VR	Q 0605	87-A30-090-080	0E	FET, 2SK2541	EZSFD	CX-NSZ310
0 S	FUNC/E.VR	Q 0605	87-A30-090-080	0E	FET, 2SK2541	KSFD	CX-NSZ310
0 S	FUNC/E.VR	Q 0605	87-A30-090-080	0E	FET, 2SK2541	LHSFD	CX-NSZ310
0 S	FUNC/E.VR	Q 0605	87-A30-090-080	0E	FET, 2SK2541	LHSFD	CX-NSZ510
0 S	FUNC/E.VR	Q 0605	87-A30-090-080	0E	FET, 2SK2541	USM	CX-SNAJ310
S	FUNC/E.VR	Q 0606	87-A30-090-080	0E	FET, 2SK2541	EZSFD	CX-NSZ315
0 S	FUNC/E.VR	Q 0606	87-A30-090-080	0E	FET, 2SK2541	EZSFD	CX-NSZ310
0 S	FUNC/E.VR	Q 0606	87-A30-090-080	0E	FET, 2SK2541	KSFD	CX-NSZ310
0 S	FUNC/E.VR	Q 0606	87-A30-090-080	0E	FET, 2SK2541	LHSFD	CX-NSZ310
0 S	FUNC/E.VR	Q 0606	87-A30-090-080	0E	FET, 2SK2541	LHSFD	CX-NSZ510
0 S	FUNC/E.VR	Q 0606	87-A30-090-080	0E	FET, 2SK2541	USM	CX-SNAJ310
S	FUNC/E.VR	Q 0607	87-A30-076-080	0E	C-TR, 2SC3052F	EZSFD	CX-NSZ315
0 S	FUNC/E.VR	Q 0607	87-A30-076-080	0E	C-TR, 2SC3052F	EZSFD	CX-NSZ310
0 S	FUNC/E.VR	Q 0607	87-A30-076-080	0E	C-TR, 2SC3052F	KSFD	CX-NSZ310
0 S	FUNC/E.VR	Q 0607	87-A30-076-080	0E	C-TR, 2SC3052F	LHSFD	CX-NSZ310
0 S	FUNC/E.VR	Q 0607	87-A30-076-080	0E	C-TR, 2SC3052F	LHSFD	CX-NSZ510
0 S	FUNC/E.VR	Q 0607	87-A30-076-080	0E	C-TR, 2SC3052F	USM	CX-SNAJ310
X	FUNC/E.VR	R 0077	88-108-102-080	0E	C-RES, U 1K-1/16W J	EZSFD	CX-NSZ315
0 X	FUNC/E.VR	R 0077	88-108-102-080	0E	C-RES, U 1K-1/16W J	EZSFD	CX-NSZ310
0 X	FUNC/E.VR	R 0077	88-108-102-080	0E	C-RES, U 1K-1/16W J	KSFD	CX-NSZ310
0 X	FUNC/E.VR	R 0077	88-108-102-080	0E	C-RES, U 1K-1/16W J	LHSFD	CX-NSZ310
0 X	FUNC/E.VR	R 0077	88-108-102-080	0E	C-RES, U 1K-1/16W J	LHSFD	CX-NSZ510
0 X	FUNC/E.VR	R 0077	88-108-102-080	0E	C-RES, U 1K-1/16W J	USM	CX-SNAJ310
X	FUNC/E.VR	R 0601	88-108-102-080	0E	C-RES, U 1K-1/16W J	EZSFD	CX-NSZ315
0 X	FUNC/E.VR	R 0601	88-108-102-080	0E	C-RES, U 1K-1/16W J	EZSFD	CX-NSZ310
0 X	FUNC/E.VR	R 0601	88-108-102-080	0E	C-RES, U 1K-1/16W J	KSFD	CX-NSZ310
0 X	FUNC/E.VR	R 0601	88-108-102-080	0E	C-RES, U 1K-1/16W J	LHSFD	CX-NSZ310
0 X	FUNC/E.VR	R 0601	88-108-102-080	0E	C-RES, U 1K-1/16W J	LHSFD	CX-NSZ510
0 X	FUNC/E.VR	R 0601	88-108-102-080	0E	C-RES, U 1K-1/16W J	USM	CX-SNAJ310
X	FUNC/E.VR	R 0602	88-108-102-080	0E	C-RES, U 1K-1/16W J	EZSFD	CX-NSZ315
0 X	FUNC/E.VR	R 0602	88-108-102-080	0E	C-RES, U 1K-1/16W J	EZSFD	CX-NSZ310
0 X	FUNC/E.VR	R 0602	88-108-102-080	0E	C-RES, U 1K-1/16W J	KSFD	CX-NSZ310
0 X	FUNC/E.VR	R 0602	88-108-102-080	0E	C-RES, U 1K-1/16W J	LHSFD	CX-NSZ310
0 X	FUNC/E.VR	R 0602	88-108-102-080	0E	C-RES, U 1K-1/16W J	LHSFD	CX-NSZ510



# PARTS LIST

! =  $\Delta$  SAFTY PARTS  
 C = Components marked

All components used on this model at the production line are shown in this service manual.

However, please note that not all components will be available as spare parts for after-sales service.

Components marked S and O are designated as spare parts for service and will be stocked at the spare parts centers.

Components marked X and R are not designated as spare parts for after sales service, and will not be stocked at the spare parts centers.

K NO. = Only use japanese.

! C	UNIT NAME	REF NO.	PARTS CODE	K NO.	DESCRIPTION	SUFFIX	MODEL NAME
0 X	FUNC/E.VR	R 0602	88-108-102-080	0E	C-RES,U 1K-1/16W J	USM	CX-SNAJ310
X	FUNC/E.VR	R 0603	88-108-682-080	0E	C-RES,U 6.8K-1/16W J	EZSFD	CX-NSZ315
0 X	FUNC/E.VR	R 0603	88-108-682-080	0E	C-RES,U 6.8K-1/16W J	EZSFD	CX-NSZ310
0 X	FUNC/E.VR	R 0603	88-108-682-080	0E	C-RES,U 6.8K-1/16W J	KSFD	CX-NSZ310
0 X	FUNC/E.VR	R 0603	88-108-682-080	0E	C-RES,U 6.8K-1/16W J	LHSFD	CX-NSZ310
0 X	FUNC/E.VR	R 0603	88-108-682-080	0E	C-RES,U 6.8K-1/16W J	LHSFD	CX-NSZ510
0 X	FUNC/E.VR	R 0603	88-108-682-080	0E	C-RES,U 6.8K-1/16W J	USM	CX-SNAJ310
X	FUNC/E.VR	R 0604	88-108-682-080	0E	C-RES,U 6.8K-1/16W J	EZSFD	CX-NSZ315
0 X	FUNC/E.VR	R 0604	88-108-682-080	0E	C-RES,U 6.8K-1/16W J	EZSFD	CX-NSZ310
0 X	FUNC/E.VR	R 0604	88-108-682-080	0E	C-RES,U 6.8K-1/16W J	KSFD	CX-NSZ310
0 X	FUNC/E.VR	R 0604	88-108-682-080	0E	C-RES,U 6.8K-1/16W J	LHSFD	CX-NSZ310
0 X	FUNC/E.VR	R 0604	88-108-682-080	0E	C-RES,U 6.8K-1/16W J	LHSFD	CX-NSZ510
0 X	FUNC/E.VR	R 0604	88-108-682-080	0E	C-RES,U 6.8K-1/16W J	USM	CX-SNAJ310
X	FUNC/E.VR	R 0605	88-108-103-080	0E	C-RES,U 10K-1/16W J	EZSFD	CX-NSZ315
0 X	FUNC/E.VR	R 0605	88-108-103-080	0E	C-RES,U 10K-1/16W J	EZSFD	CX-NSZ310
0 X	FUNC/E.VR	R 0605	88-108-103-080	0E	C-RES,U 10K-1/16W J	KSFD	CX-NSZ310
0 X	FUNC/E.VR	R 0605	88-108-103-080	0E	C-RES,U 10K-1/16W J	LHSFD	CX-NSZ310
0 X	FUNC/E.VR	R 0605	88-108-103-080	0E	C-RES,U 10K-1/16W J	LHSFD	CX-NSZ510
0 X	FUNC/E.VR	R 0605	88-108-103-080	0E	C-RES,U 10K-1/16W J	USM	CX-SNAJ310
X	FUNC/E.VR	R 0606	88-108-103-080	0E	C-RES,U 10K-1/16W J	EZSFD	CX-NSZ315
0 X	FUNC/E.VR	R 0606	88-108-103-080	0E	C-RES,U 10K-1/16W J	EZSFD	CX-NSZ310
0 X	FUNC/E.VR	R 0606	88-108-103-080	0E	C-RES,U 10K-1/16W J	KSFD	CX-NSZ310
0 X	FUNC/E.VR	R 0606	88-108-103-080	0E	C-RES,U 10K-1/16W J	LHSFD	CX-NSZ310
0 X	FUNC/E.VR	R 0606	88-108-103-080	0E	C-RES,U 10K-1/16W J	LHSFD	CX-NSZ510
0 X	FUNC/E.VR	R 0606	88-108-103-080	0E	C-RES,U 10K-1/16W J	USM	CX-SNAJ310
X	FUNC/E.VR	R 0607	88-108-103-080	0E	C-RES,U 10K-1/16W J	EZSFD	CX-NSZ315
0 X	FUNC/E.VR	R 0607	88-108-103-080	0E	C-RES,U 10K-1/16W J	EZSFD	CX-NSZ310
0 X	FUNC/E.VR	R 0607	88-108-103-080	0E	C-RES,U 10K-1/16W J	KSFD	CX-NSZ310
0 X	FUNC/E.VR	R 0607	88-108-103-080	0E	C-RES,U 10K-1/16W J	LHSFD	CX-NSZ310
0 X	FUNC/E.VR	R 0607	88-108-103-080	0E	C-RES,U 10K-1/16W J	LHSFD	CX-NSZ510
0 X	FUNC/E.VR	R 0607	88-108-103-080	0E	C-RES,U 10K-1/16W J	USM	CX-SNAJ310
X	FUNC/E.VR	R 0608	88-108-103-080	0E	C-RES,U 10K-1/16W J	EZSFD	CX-NSZ315
0 X	FUNC/E.VR	R 0608	88-108-103-080	0E	C-RES,U 10K-1/16W J	EZSFD	CX-NSZ310
0 X	FUNC/E.VR	R 0608	88-108-103-080	0E	C-RES,U 10K-1/16W J	KSFD	CX-NSZ310
0 X	FUNC/E.VR	R 0608	88-108-103-080	0E	C-RES,U 10K-1/16W J	LHSFD	CX-NSZ310
0 X	FUNC/E.VR	R 0608	88-108-103-080	0E	C-RES,U 10K-1/16W J	LHSFD	CX-NSZ510
0 X	FUNC/E.VR	R 0608	88-108-103-080	0E	C-RES,U 10K-1/16W J	USM	CX-SNAJ310
X	FUNC/E.VR	R 0609	88-108-562-080	0E	C-RES,U 5.6K-1/16W J	EZSFD	CX-NSZ315
0 X	FUNC/E.VR	R 0609	88-108-562-080	0E	C-RES,U 5.6K-1/16W J	EZSFD	CX-NSZ310
0 X	FUNC/E.VR	R 0609	88-108-562-080	0E	C-RES,U 5.6K-1/16W J	KSFD	CX-NSZ310
0 X	FUNC/E.VR	R 0609	88-108-562-080	0E	C-RES,U 5.6K-1/16W J	LHSFD	CX-NSZ310
0 X	FUNC/E.VR	R 0609	88-108-562-080	0E	C-RES,U 5.6K-1/16W J	LHSFD	CX-NSZ510
0 X	FUNC/E.VR	R 0609	88-108-562-080	0E	C-RES,U 5.6K-1/16W J	USM	CX-SNAJ310
X	FUNC/E.VR	R 0610	88-121-562-080	0E	RES,5.6K-1/8W J	EZSFD	CX-NSZ315
0 X	FUNC/E.VR	R 0610	88-121-562-080	0E	RES,5.6K-1/8W J	EZSFD	CX-NSZ310
0 X	FUNC/E.VR	R 0610	88-121-562-080	0E	RES,5.6K-1/8W J	KSFD	CX-NSZ310
0 X	FUNC/E.VR	R 0610	88-121-562-080	0E	RES,5.6K-1/8W J	LHSFD	CX-NSZ310
0 X	FUNC/E.VR	R 0610	88-121-562-080	0E	RES,5.6K-1/8W J	LHSFD	CX-NSZ510
0 X	FUNC/E.VR	R 0610	88-121-562-080	0E	RES,5.6K-1/8W J	USM	CX-SNAJ310
X	FUNC/E.VR	R 0611	88-108-183-080	0E	C-RES,U 18K-1/16W J	EZSFD	CX-NSZ315
0 X	FUNC/E.VR	R 0611	88-108-183-080	0E	C-RES,U 18K-1/16W J	EZSFD	CX-NSZ310
0 X	FUNC/E.VR	R 0611	88-108-183-080	0E	C-RES,U 18K-1/16W J	KSFD	CX-NSZ310
0 X	FUNC/E.VR	R 0611	88-108-183-080	0E	C-RES,U 18K-1/16W J	LHSFD	CX-NSZ310
0 X	FUNC/E.VR	R 0611	88-108-183-080	0E	C-RES,U 18K-1/16W J	LHSFD	CX-NSZ510
0 X	FUNC/E.VR	R 0611	88-108-183-080	0E	C-RES,U 18K-1/16W J	USM	CX-SNAJ310
X	FUNC/E.VR	R 0612	88-108-183-080	0E	C-RES,U 18K-1/16W J	EZSFD	CX-NSZ315
0 X	FUNC/E.VR	R 0612	88-108-183-080	0E	C-RES,U 18K-1/16W J	EZSFD	CX-NSZ310
0 X	FUNC/E.VR	R 0612	88-108-183-080	0E	C-RES,U 18K-1/16W J	KSFD	CX-NSZ310
0 X	FUNC/E.VR	R 0612	88-108-183-080	0E	C-RES,U 18K-1/16W J	LHSFD	CX-NSZ310
0 X	FUNC/E.VR	R 0612	88-108-183-080	0E	C-RES,U 18K-1/16W J	LHSFD	CX-NSZ510
0 X	FUNC/E.VR	R 0612	88-108-183-080	0E	C-RES,U 18K-1/16W J	USM	CX-SNAJ310
X	FUNC/E.VR	R 0613	88-121-472-080	0E	RES,4.7K-1/8W J	EZSFD	CX-NSZ315
0 X	FUNC/E.VR	R 0613	88-121-472-080	0E	RES,4.7K-1/8W J	EZSFD	CX-NSZ310
0 X	FUNC/E.VR	R 0613	88-121-472-080	0E	RES,4.7K-1/8W J	KSFD	CX-NSZ310
0 X	FUNC/E.VR	R 0613	88-121-472-080	0E	RES,4.7K-1/8W J	LHSFD	CX-NSZ310
0 X	FUNC/E.VR	R 0613	88-121-472-080	0E	RES,4.7K-1/8W J	LHSFD	CX-NSZ510
0 X	FUNC/E.VR	R 0613	88-121-472-080	0E	RES,4.7K-1/8W J	USM	CX-SNAJ310
X	FUNC/E.VR	R 0614	88-121-681-080	0E	RES,680-1/8W J	EZSFD	CX-NSZ315
0 X	FUNC/E.VR	R 0614	88-121-681-080	0E	RES,680-1/8W J	EZSFD	CX-NSZ310
0 X	FUNC/E.VR	R 0614	88-121-681-080	0E	RES,680-1/8W J	KSFD	CX-NSZ310
0 X	FUNC/E.VR	R 0614	88-121-472-080	0E	RES,4.7K-1/8W J	LHSFD	CX-NSZ310
0 X	FUNC/E.VR	R 0614	88-121-472-080	0E	RES,4.7K-1/8W J	LHSFD	CX-NSZ510
0 X	FUNC/E.VR	R 0614	88-121-472-080	0E	RES,4.7K-1/8W J	USM	CX-SNAJ310

# PARTS LIST

! =  $\Delta$  SAFTY PARTS  
 C = Components marked

All components used on this model at the production line are shown in this service manual.

However, please note that not all components will be available as spare parts for after-sales service.

Components marked S and O are designated as spare parts for service and will be stocked at the spare parts centers.

Components marked X and R are not designated as spare parts for after sales service, and will not be stocked at the spare parts centers.

K NO. = Only use japanese.

! C	UNIT NAME	REF NO.	PARTS CODE	K NO.	DESCRIPTION	SUFFIX	MODEL NAME
0 X	FUNC/E.VR	R 0614	88-121-681-080	0E	RES,680-1/8W J	EZSFD	CX-NSZ315
0 X	FUNC/E.VR	R 0614	88-121-681-080	0E	RES,680-1/8W J	EZSFD	CX-NSZ310
0 X	FUNC/E.VR	R 0614	88-121-681-080	0E	RES,680-1/8W J	KSFD	CX-NSZ310
X	FUNC/E.VR	R 0615	88-108-183-080	0E	C-RES,U 18K-1/16W J	EZSFD	CX-NSZ315
0 X	FUNC/E.VR	R 0615	88-108-183-080	0E	C-RES,U 18K-1/16W J	EZSFD	CX-NSZ310
0 X	FUNC/E.VR	R 0615	88-108-183-080	0E	C-RES,U 18K-1/16W J	KSFD	CX-NSZ310
0 X	FUNC/E.VR	R 0615	88-108-183-080	0E	C-RES,U 18K-1/16W J	LHSFD	CX-NSZ310
0 X	FUNC/E.VR	R 0615	88-108-183-080	0E	C-RES,U 18K-1/16W J	LHSFD	CX-NSZ510
0 X	FUNC/E.VR	R 0615	88-108-183-080	0E	C-RES,U 18K-1/16W J	USM	CX-SNAJ310
X	FUNC/E.VR	R 0616	88-108-183-080	0E	C-RES,U 18K-1/16W J	EZSFD	CX-NSZ315
0 X	FUNC/E.VR	R 0616	88-108-183-080	0E	C-RES,U 18K-1/16W J	EZSFD	CX-NSZ310
0 X	FUNC/E.VR	R 0616	88-108-183-080	0E	C-RES,U 18K-1/16W J	KSFD	CX-NSZ310
0 X	FUNC/E.VR	R 0616	88-108-183-080	0E	C-RES,U 18K-1/16W J	LHSFD	CX-NSZ310
0 X	FUNC/E.VR	R 0616	88-108-183-080	0E	C-RES,U 18K-1/16W J	LHSFD	CX-NSZ510
0 X	FUNC/E.VR	R 0616	88-108-183-080	0E	C-RES,U 18K-1/16W J	USM	CX-SNAJ310
X	FUNC/E.VR	R 0618	88-108-332-080	0E	C-RES,U 3.3K-1/16W J	EZSFD	CX-NSZ315
0 X	FUNC/E.VR	R 0618	88-108-332-080	0E	C-RES,U 3.3K-1/16W J	EZSFD	CX-NSZ310
0 X	FUNC/E.VR	R 0618	88-108-332-080	0E	C-RES,U 3.3K-1/16W J	KSFD	CX-NSZ310
0 X	FUNC/E.VR	R 0618	88-108-332-080	0E	C-RES,U 3.3K-1/16W J	LHSFD	CX-NSZ310
0 X	FUNC/E.VR	R 0618	88-108-332-080	0E	C-RES,U 3.3K-1/16W J	LHSFD	CX-NSZ510
0 X	FUNC/E.VR	R 0618	88-108-332-080	0E	C-RES,U 3.3K-1/16W J	USM	CX-SNAJ310
X	FUNC/E.VR	R 0619	88-108-273-080	0E	C-RES,U 27K-1/16W J	EZSFD	CX-NSZ315
0 X	FUNC/E.VR	R 0619	88-108-273-080	0E	C-RES,U 27K-1/16W J	EZSFD	CX-NSZ310
0 X	FUNC/E.VR	R 0619	88-108-273-080	0E	C-RES,U 27K-1/16W J	KSFD	CX-NSZ310
0 X	FUNC/E.VR	R 0619	88-108-273-080	0E	C-RES,U 27K-1/16W J	LHSFD	CX-NSZ310
0 X	FUNC/E.VR	R 0619	88-108-273-080	0E	C-RES,U 27K-1/16W J	LHSFD	CX-NSZ510
0 X	FUNC/E.VR	R 0619	88-108-273-080	0E	C-RES,U 27K-1/16W J	USM	CX-SNAJ310
X	FUNC/E.VR	R 0620	88-108-273-080	0E	C-RES,U 27K-1/16W J	EZSFD	CX-NSZ315
0 X	FUNC/E.VR	R 0620	88-108-273-080	0E	C-RES,U 27K-1/16W J	EZSFD	CX-NSZ310
0 X	FUNC/E.VR	R 0620	88-108-273-080	0E	C-RES,U 27K-1/16W J	KSFD	CX-NSZ310
0 X	FUNC/E.VR	R 0620	88-108-273-080	0E	C-RES,U 27K-1/16W J	LHSFD	CX-NSZ310
0 X	FUNC/E.VR	R 0620	88-108-273-080	0E	C-RES,U 27K-1/16W J	LHSFD	CX-NSZ510
0 X	FUNC/E.VR	R 0620	88-108-273-080	0E	C-RES,U 27K-1/16W J	USM	CX-SNAJ310
X	FUNC/E.VR	R 0621	88-108-824-080	0E	C-RES,U 820K-1/16W J	EZSFD	CX-NSZ315
0 X	FUNC/E.VR	R 0621	88-108-824-080	0E	C-RES,U 820K-1/16W J	EZSFD	CX-NSZ310
0 X	FUNC/E.VR	R 0621	88-108-824-080	0E	C-RES,U 820K-1/16W J	KSFD	CX-NSZ310
0 X	FUNC/E.VR	R 0621	88-108-824-080	0E	C-RES,U 820K-1/16W J	LHSFD	CX-NSZ310
0 X	FUNC/E.VR	R 0621	88-108-824-080	0E	C-RES,U 820K-1/16W J	LHSFD	CX-NSZ510
0 X	FUNC/E.VR	R 0621	88-108-824-080	0E	C-RES,U 820K-1/16W J	USM	CX-SNAJ310
X	FUNC/E.VR	R 0622	88-108-824-080	0E	C-RES,U 820K-1/16W J	EZSFD	CX-NSZ315
0 X	FUNC/E.VR	R 0622	88-108-824-080	0E	C-RES,U 820K-1/16W J	EZSFD	CX-NSZ310
0 X	FUNC/E.VR	R 0622	88-108-824-080	0E	C-RES,U 820K-1/16W J	KSFD	CX-NSZ310
0 X	FUNC/E.VR	R 0622	88-108-824-080	0E	C-RES,U 820K-1/16W J	LHSFD	CX-NSZ310
0 X	FUNC/E.VR	R 0622	88-108-824-080	0E	C-RES,U 820K-1/16W J	LHSFD	CX-NSZ510
0 X	FUNC/E.VR	R 0622	88-108-824-080	0E	C-RES,U 820K-1/16W J	USM	CX-SNAJ310
X	FUNC/E.VR	R 0625	88-121-472-080	0E	RES,4.7K-1/8W J	EZSFD	CX-NSZ315
0 X	FUNC/E.VR	R 0625	88-121-472-080	0E	RES,4.7K-1/8W J	EZSFD	CX-NSZ310
0 X	FUNC/E.VR	R 0625	88-121-472-080	0E	RES,4.7K-1/8W J	KSFD	CX-NSZ310
0 X	FUNC/E.VR	R 0625	88-121-472-080	0E	RES,4.7K-1/8W J	LHSFD	CX-NSZ310
0 X	FUNC/E.VR	R 0625	88-121-472-080	0E	RES,4.7K-1/8W J	LHSFD	CX-NSZ510
0 X	FUNC/E.VR	R 0625	88-121-472-080	0E	RES,4.7K-1/8W J	USM	CX-SNAJ310
X	FUNC/E.VR	R 0626	88-121-103-080	0E	RES,10K-1/8W J	EZSFD	CX-NSZ315
0 X	FUNC/E.VR	R 0626	88-121-103-080	0E	RES,10K-1/8W J	EZSFD	CX-NSZ310
0 X	FUNC/E.VR	R 0626	88-121-103-080	0E	RES,10K-1/8W J	KSFD	CX-NSZ310
0 X	FUNC/E.VR	R 0626	88-121-103-080	0E	RES,10K-1/8W J	LHSFD	CX-NSZ310
0 X	FUNC/E.VR	R 0626	88-121-103-080	0E	RES,10K-1/8W J	LHSFD	CX-NSZ510
0 X	FUNC/E.VR	R 0626	88-121-103-080	0E	RES,10K-1/8W J	USM	CX-SNAJ310
X	FUNC/E.VR	R 0627	88-108-123-080	0E	C-RES,U 12K-1/16W J	EZSFD	CX-NSZ315
0 X	FUNC/E.VR	R 0627	88-108-123-080	0E	C-RES,U 12K-1/16W J	EZSFD	CX-NSZ310
0 X	FUNC/E.VR	R 0627	88-108-123-080	0E	C-RES,U 12K-1/16W J	KSFD	CX-NSZ310
0 X	FUNC/E.VR	R 0627	88-108-123-080	0E	C-RES,U 12K-1/16W J	LHSFD	CX-NSZ310
0 X	FUNC/E.VR	R 0627	88-108-123-080	0E	C-RES,U 12K-1/16W J	LHSFD	CX-NSZ510
0 X	FUNC/E.VR	R 0627	88-108-123-080	0E	C-RES,U 12K-1/16W J	USM	CX-SNAJ310
X	FUNC/E.VR	R 0628	88-121-332-080	0E	RES,3.3K-1/8W J	EZSFD	CX-NSZ315
0 X	FUNC/E.VR	R 0628	88-121-332-080	0E	RES,3.3K-1/8W J	EZSFD	CX-NSZ310
0 X	FUNC/E.VR	R 0628	88-121-332-080	0E	RES,3.3K-1/8W J	KSFD	CX-NSZ310
0 X	FUNC/E.VR	R 0628	88-121-332-080	0E	RES,3.3K-1/8W J	LHSFD	CX-NSZ310
0 X	FUNC/E.VR	R 0628	88-121-332-080	0E	RES,3.3K-1/8W J	LHSFD	CX-NSZ510
0 X	FUNC/E.VR	R 0628	88-121-332-080	0E	RES,3.3K-1/8W J	USM	CX-SNAJ310
X	FUNC/E.VR	R 0631	88-108-104-080	0E	C-RES,U 100K-1/16W J	EZSFD	CX-NSZ315

# PARTS LIST

! =  $\Delta$  SAFTY PARTS  
 C = Components marked

All components used on this model at the production line are shown in this service manual.

However, please note that not all components will be available as spare parts for after-sales service.

Components marked S and O are designated as spare parts for service and will be stocked at the spare parts centers.

Components marked X and R are not designated as spare parts for after sales service, and will not be stocked at the spare parts centers.

K NO. = Only use japanese.

! C	UNIT NAME	REF NO.	PARTS CODE	K NO.	DESCRIPTION	SUFFIX	MODEL NAME
0 X	FUNC/E.VR	R	0631 88-108-104-080	0E	C-RES,U 100K-1/16W J	EZSFD	CX-NSZ310
0 X	FUNC/E.VR	R	0631 88-108-104-080	0E	C-RES,U 100K-1/16W J	KSFD	CX-NSZ310
0 X	FUNC/E.VR	R	0631 88-108-104-080	0E	C-RES,U 100K-1/16W J	LHSFD	CX-NSZ310
0 X	FUNC/E.VR	R	0631 88-108-104-080	0E	C-RES,U 100K-1/16W J	LHSFD	CX-NSZ510
0 X	FUNC/E.VR	R	0631 88-108-104-080	0E	C-RES,U 100K-1/16W J	USM	CX-SNAJ310
X	FUNC/E.VR	R	0632 88-108-123-080	0E	C-RES,U 12K-1/16W J	EZSFD	CX-NSZ315
0 X	FUNC/E.VR	R	0632 88-108-123-080	0E	C-RES,U 12K-1/16W J	EZSFD	CX-NSZ310
0 X	FUNC/E.VR	R	0632 88-108-123-080	0E	C-RES,U 12K-1/16W J	KSFD	CX-NSZ310
0 X	FUNC/E.VR	R	0632 88-108-822-080	0E	C-RES,U 8.2K-1/16W J	LHSFD	CX-NSZ310
0 X	FUNC/E.VR	R	0632 88-108-822-080	0E	C-RES,U 8.2K-1/16W J	LHSFD	CX-NSZ510
0 X	FUNC/E.VR	R	0632 88-108-822-080	0E	C-RES,U 8.2K-1/16W J	USM	CX-SNAJ310
X	FUNC/E.VR	R	0633 88-108-184-080	0E	C-RES,U 180K-1/16W J	EZSFD	CX-NSZ315
0 X	FUNC/E.VR	R	0633 88-108-184-080	0E	C-RES,U 180K-1/16W J	EZSFD	CX-NSZ310
0 X	FUNC/E.VR	R	0633 88-108-184-080	0E	C-RES,U 180K-1/16W J	KSFD	CX-NSZ310
0 X	FUNC/E.VR	R	0633 88-108-563-080	0E	C-RES,U 56K-1/16W J	LHSFD	CX-NSZ510
X	FUNC/E.VR	R	0634 88-108-103-080	0E	C-RES,U 10K-1/16W J	EZSFD	CX-NSZ315
0 X	FUNC/E.VR	R	0634 88-108-103-080	0E	C-RES,U 10K-1/16W J	EZSFD	CX-NSZ310
0 X	FUNC/E.VR	R	0634 88-108-103-080	0E	C-RES,U 10K-1/16W J	KSFD	CX-NSZ310
0 X	FUNC/E.VR	R	0634 88-108-103-080	0E	C-RES,U 10K-1/16W J	LHSFD	CX-NSZ310
0 X	FUNC/E.VR	R	0634 88-108-103-080	0E	C-RES,U 10K-1/16W J	LHSFD	CX-NSZ510
0 X	FUNC/E.VR	R	0634 88-108-103-080	0E	C-RES,U 10K-1/16W J	USM	CX-SNAJ310
X	FUNC/E.VR	R	0635 88-108-103-080	0E	C-RES,U 10K-1/16W J	EZSFD	CX-NSZ315
0 X	FUNC/E.VR	R	0635 88-108-103-080	0E	C-RES,U 10K-1/16W J	EZSFD	CX-NSZ310
0 X	FUNC/E.VR	R	0635 88-108-103-080	0E	C-RES,U 10K-1/16W J	KSFD	CX-NSZ310
0 X	FUNC/E.VR	R	0635 88-108-103-080	0E	C-RES,U 10K-1/16W J	LHSFD	CX-NSZ310
0 X	FUNC/E.VR	R	0635 88-108-103-080	0E	C-RES,U 10K-1/16W J	LHSFD	CX-NSZ510
0 X	FUNC/E.VR	R	0635 88-108-103-080	0E	C-RES,U 10K-1/16W J	USM	CX-SNAJ310
X	FUNC/E.VR	R	0637 88-108-222-080	0E	C-RES,U 2.2K-1/16W J	EZSFD	CX-NSZ315
0 X	FUNC/E.VR	R	0637 88-108-222-080	0E	C-RES,U 2.2K-1/16W J	EZSFD	CX-NSZ310
0 X	FUNC/E.VR	R	0637 88-108-222-080	0E	C-RES,U 2.2K-1/16W J	KSFD	CX-NSZ310
0 X	FUNC/E.VR	R	0637 88-108-222-080	0E	C-RES,U 2.2K-1/16W J	LHSFD	CX-NSZ310
0 X	FUNC/E.VR	R	0637 88-108-222-080	0E	C-RES,U 2.2K-1/16W J	LHSFD	CX-NSZ510
0 X	FUNC/E.VR	R	0637 88-108-222-080	0E	C-RES,U 2.2K-1/16W J	USM	CX-SNAJ310
X	FUNC/E.VR	R	0638 88-108-222-080	0E	C-RES,U 2.2K-1/16W J	EZSFD	CX-NSZ315
0 X	FUNC/E.VR	R	0638 88-108-222-080	0E	C-RES,U 2.2K-1/16W J	EZSFD	CX-NSZ310
0 X	FUNC/E.VR	R	0638 88-108-222-080	0E	C-RES,U 2.2K-1/16W J	KSFD	CX-NSZ310
0 X	FUNC/E.VR	R	0638 88-108-222-080	0E	C-RES,U 2.2K-1/16W J	LHSFD	CX-NSZ310
0 X	FUNC/E.VR	R	0638 88-108-222-080	0E	C-RES,U 2.2K-1/16W J	LHSFD	CX-NSZ510
0 X	FUNC/E.VR	R	0638 88-108-222-080	0E	C-RES,U 2.2K-1/16W J	USM	CX-SNAJ310
X	FUNC/E.VR	R	0639 88-108-273-080	0E	C-RES,U 27K-1/16W J	EZSFD	CX-NSZ315
0 X	FUNC/E.VR	R	0639 88-108-273-080	0E	C-RES,U 27K-1/16W J	EZSFD	CX-NSZ310
0 X	FUNC/E.VR	R	0639 88-108-273-080	0E	C-RES,U 27K-1/16W J	KSFD	CX-NSZ310
0 X	FUNC/E.VR	R	0639 88-108-273-080	0E	C-RES,U 27K-1/16W J	LHSFD	CX-NSZ310
0 X	FUNC/E.VR	R	0639 88-108-273-080	0E	C-RES,U 27K-1/16W J	LHSFD	CX-NSZ510
0 X	FUNC/E.VR	R	0639 88-108-273-080	0E	C-RES,U 27K-1/16W J	USM	CX-SNAJ310
X	FUNC/E.VR	R	0640 88-108-273-080	0E	C-RES,U 27K-1/16W J	EZSFD	CX-NSZ315
0 X	FUNC/E.VR	R	0640 88-108-273-080	0E	C-RES,U 27K-1/16W J	EZSFD	CX-NSZ310
0 X	FUNC/E.VR	R	0640 88-108-273-080	0E	C-RES,U 27K-1/16W J	KSFD	CX-NSZ310
0 X	FUNC/E.VR	R	0640 88-108-273-080	0E	C-RES,U 27K-1/16W J	LHSFD	CX-NSZ310
0 X	FUNC/E.VR	R	0640 88-108-273-080	0E	C-RES,U 27K-1/16W J	LHSFD	CX-NSZ510
0 X	FUNC/E.VR	R	0640 88-108-273-080	0E	C-RES,U 27K-1/16W J	USM	CX-SNAJ310
X	FUNC/E.VR	R	0653 88-108-000-080	0E	C-JUMPER,U	EZSFD	CX-NSZ315
0 X	FUNC/E.VR	R	0653 88-108-000-080	0E	C-JUMPER,U	EZSFD	CX-NSZ310
0 X	FUNC/E.VR	R	0653 88-108-000-080	0E	C-JUMPER,U	KSFD	CX-NSZ310
0 X	FUNC/E.VR	R	0653 88-108-000-080	0E	C-JUMPER,U	LHSFD	CX-NSZ310
0 X	FUNC/E.VR	R	0653 88-108-000-080	0E	C-JUMPER,U	LHSFD	CX-NSZ510
0 X	FUNC/E.VR	R	0653 88-108-000-080	0E	C-JUMPER,U	USM	CX-SNAJ310
X	FUNC/E.VR	R	0654 88-108-000-080	0E	C-JUMPER,U	EZSFD	CX-NSZ315
0 X	FUNC/E.VR	R	0654 88-108-000-080	0E	C-JUMPER,U	EZSFD	CX-NSZ310
0 X	FUNC/E.VR	R	0654 88-108-000-080	0E	C-JUMPER,U	KSFD	CX-NSZ310
0 X	FUNC/E.VR	R	0654 88-108-000-080	0E	C-JUMPER,U	LHSFD	CX-NSZ310
0 X	FUNC/E.VR	R	0654 88-108-000-080	0E	C-JUMPER,U	LHSFD	CX-NSZ510
0 X	FUNC/E.VR	R	0654 88-108-000-080	0E	C-JUMPER,U	USM	CX-SNAJ310
X	FUNC/E.VR	R	0661 88-108-153-080	0E	C-RES,U 15K-1/16W J	EZSFD	CX-NSZ315
0 X	FUNC/E.VR	R	0661 88-108-153-080	0E	C-RES,U 15K-1/16W J	EZSFD	CX-NSZ310
0 X	FUNC/E.VR	R	0661 88-108-153-080	0E	C-RES,U 15K-1/16W J	KSFD	CX-NSZ310
0 X	FUNC/E.VR	R	0661 88-108-153-080	0E	C-RES,U 15K-1/16W J	LHSFD	CX-NSZ310
0 X	FUNC/E.VR	R	0661 88-108-153-080	0E	C-RES,U 15K-1/16W J	LHSFD	CX-NSZ510
0 X	FUNC/E.VR	R	0661 88-108-153-080	0E	C-RES,U 15K-1/16W J	USM	CX-SNAJ310
X	FUNC/E.VR	R	0662 88-108-153-080	0E	C-RES,U 15K-1/16W J	EZSFD	CX-NSZ315

# PARTS LIST

! =  $\Delta$  SAFTY PARTS  
 C = Components marked

All components used on this model at the production line are shown in this service manual.

However, please note that not all components will be available as spare parts for after-sales service.

Components marked S and O are designated as spare parts for service and will be stocked at the spare parts centers.

Components marked X and R are not designated as spare parts for after sales service, and will not be stocked at the spare parts centers.

K NO. = Only use japanese.

! C	UNIT NAME	REF NO.	PARTS CODE	K NO.	DESCRIPTION	SUFFIX	MODEL NAME	
0 X	FUNC/E.VR	R 0662	88-108-153-080	0E	C-RES,U 15K-1/16W J	EZSFD	CX-NSZ310	
0 X	FUNC/E.VR	R 0662	88-108-153-080	0E	C-RES,U 15K-1/16W J	KSFD	CX-NSZ310	
0 X	FUNC/E.VR	R 0662	88-108-153-080	0E	C-RES,U 15K-1/16W J	LHSFD	CX-NSZ310	
0 X	FUNC/E.VR	R 0662	88-108-153-080	0E	C-RES,U 15K-1/16W J	LHSFD	CX-NSZ510	
0 X	FUNC/E.VR	R 0662	88-108-153-080	0E	C-RES,U 15K-1/16W J	USM	CX-SNAJ310	
0	O KNOB		8B-NFY-010-010	1B	KEY,OPE 1W	EZSFD	CX-NSZ315	
0	O KNOB		8B-NFY-010-010	1B	KEY,OPE 1W	EZSFD	CX-NSZ310	
0	O KNOB		8B-NFY-010-010	1B	KEY,OPE 1W	KSFD	CX-NSZ310	
0	O KNOB		8B-NFY-010-010	1B	KEY,OPE 1W	LHSFD	CX-NSZ310	
0	O KNOB		8B-NFY-010-010	1B	KEY,OPE 1W	LHSFD	CX-NSZ510	
0	O KNOB		8B-NFY-010-010	1B	KEY,OPE 1W	USM	CX-SNAJ310	
0	O KNOB		8B-NFY-012-010	1A	KEY,FUN	EZSFD	CX-NSZ315	
0	O KNOB		8B-NFY-012-010	1A	KEY,FUN	EZSFD	CX-NSZ310	
0	O KNOB		8B-NFY-012-010	1A	KEY,FUN	KSFD	CX-NSZ310	
0	O KNOB		8B-NFY-012-010	1A	KEY,FUN	LHSFD	CX-NSZ310	
0	O KNOB		8B-NFY-012-010	1A	KEY,FUN	LHSFD	CX-NSZ510	
0	O KNOB		8B-NFY-012-010	1A	KEY,FUN	USM	CX-SNAJ310	
0	O KNOB		8B-NFY-013-010	1A	KEY,GEQ	EZSFD	CX-NSZ315	
0	O KNOB		8B-NFY-013-010	1A	KEY,GEQ	EZSFD	CX-NSZ310	
0	O KNOB		8B-NFY-013-010	1A	KEY,GEQ	KSFD	CX-NSZ310	
0	O KNOB		8B-NFY-013-010	1A	KEY,GEQ	LHSFD	CX-NSZ310	
0	O KNOB		8B-NFY-013-010	1A	KEY,GEQ	LHSFD	CX-NSZ510	
0	O KNOB		8B-NFY-013-010	1A	KEY,GEQ	USM	CX-SNAJ310	
0	O KNOB		8B-NFY-014-010	0E	KNOB,RTRY JOG	EZSFD	CX-NSZ315	
0	O KNOB		8B-NFY-014-010	0E	KNOB,RTRY JOG	EZSFD	CX-NSZ310	
0	O KNOB		8B-NFY-014-010	0E	KNOB,RTRY JOG	KSFD	CX-NSZ310	
0	O KNOB		8B-NFY-014-010	0E	KNOB,RTRY JOG	LHSFD	CX-NSZ310	
0	O KNOB		8B-NFY-014-010	0E	KNOB,RTRY JOG	LHSFD	CX-NSZ510	
0	O KNOB		8B-NFY-014-010	0E	KNOB,RTRY JOG	USM	CX-SNAJ310	
0	O KNOB		8B-NFY-015-010	0E	KNOB,RTRY VOL	EZSFD	CX-NSZ315	
0	O KNOB		8B-NFY-015-010	0E	KNOB,RTRY VOL	EZSFD	CX-NSZ310	
0	O KNOB		8B-NFY-015-010	0E	KNOB,RTRY VOL	KSFD	CX-NSZ310	
0	O KNOB		8B-NFY-015-010	0E	KNOB,RTRY VOL	LHSFD	CX-NSZ310	
0	O KNOB		8B-NFY-015-010	0E	KNOB,RTRY VOL	LHSFD	CX-NSZ510	
0	O KNOB		8B-NFY-015-010	0E	KNOB,RTRY VOL	USM	CX-SNAJ310	
0	O KNOB		8B-NFY-018-010	0E	KEY,RDS	EZSFD	CX-NSZ315	
0	O KNOB		8B-NFY-036-010	0E	REFLECTOR,ECO	EZSFD	CX-NSZ315	
0	O KNOB		8B-NFY-036-010	0E	REFLECTOR,ECO	EZSFD	CX-NSZ310	
0	O KNOB		8B-NFY-036-010	0E	REFLECTOR,ECO	KSFD	CX-NSZ310	
0	O KNOB		8B-NFY-036-010	0E	REFLECTOR,ECO	LHSFD	CX-NSZ310	
0	O KNOB		8B-NFY-036-010	0E	REFLECTOR,ECO	LHSFD	CX-NSZ510	
0	O KNOB		8B-NFY-036-010	0E	REFLECTOR,ECO	USM	CX-SNAJ310	
0 X	LBL,POP		87-B40-034-010	1B	LBL,USA 1-800	USM	CX-SNAJ310	
0 X	LBL,POP		8A-NF8-972-010	0E	LBL,POP ENG	USM	CX-SNAJ310	
0 X	LBL,POP		8B-NFY-970-010	0E	LBL,POP UL	USM	CX-SNAJ310	
0 X	LBL,POP		8B-NFY-971-010	0E	LBL,POP UR	USM	CX-SNAJ310	
0 X	LBL,POP		8B-NFY-972-010	0E	LBL,POP LHL	LHSFD	CX-NSZ310	
0 X	LBL,POP		8B-NFY-973-010	0E	LBL,POP LHR	LHSFD	CX-NSZ310	
0 X	LBL,POP		8B-NFY-974-010	0E	LBL,POP EZL	EZSFD	CX-NSZ315	
0 X	LBL,POP		8B-NFY-974-010	0E	LBL,POP EZL	EZSFD	CX-NSZ310	
0 X	LBL,POP		8B-NFY-974-010	0E	LBL,POP EZL	KSFD	CX-NSZ310	
0 X	LBL,POP		8B-NFY-975-010	0E	LBL,POP EZR	EZSFD	CX-NSZ310	
0 X	LBL,POP		8B-NFY-975-010	0E	LBL,POP EZR	KSFD	CX-NSZ310	
0 X	LBL,POP		8B-NFY-976-010	0E	LBL,POP 510LHL	LHSFD	CX-NSZ510	
0 X	LBL,POP		8B-NFY-977-010	--	LBL,POP 510LHR	LHSFD	CX-NSZ510	
0 X	LBL,POP		8B-NFY-979-010	0E	LBL,POP 315EZR	EZSFD	CX-NSZ315	
0 X	MECHANICAL		8B-NF9-236-010	1D	CHAS,MAIN BS 66-40	EZSFD	CX-NSZ310	
0 X	MECHANICAL		8B-NF9-236-010	1D	CHAS,MAIN BS 66-40	KSFD	CX-NSZ310	
0 X	MECHANICAL		8B-NF9-237-010	1D	CHAS,MAIN BS 66-60	LHSFD	CX-NSZ310	
0 X	MECHANICAL		8B-NF9-237-010	1D	CHAS,MAIN BS 66-60	USM	CX-SNAJ310	
0 X	MECHANICAL		8B-NF9-238-010	1D	CHAS,MAIN BS 76-60	LHSFD	CX-NSZ510	
0	MECHANICAL		8B-NF9-241-010	--	CHAS,MAIN BFD 66-40	EZSFD	CX-NSZ315	
0 X	MICON	*	8B-NFY-621-010	1C	PWB,FRONT BNF-31 (MSIA)	USM	CX-SNAJ310	
X	MICON	*	8B-NFY-622-010	--	PWB,FRONT BNF-31 (ADK)	EZSFD	CX-NSZ315	
0 X	MICON	*	8B-NFY-622-010	--	PWB,FRONT BNF-31 (ADK)	EZSFD	CX-NSZ310	
0 X	MICON	*	8B-NFY-622-010	--	PWB,FRONT BNF-31 (ADK)	KSFD	CX-NSZ310	
0 X	MICON	*	8B-NFY-622-010	--	PWB,FRONT BNF-31 (ADK)	LHSFD	CX-NSZ310	
0 X	MICON	*	8B-NFY-622-010	--	PWB,FRONT BNF-31 (ADK)	LHSFD	CX-NSZ510	
0	MICON	C	0108	87-010-785-080	0E	C-CAP,U 0.015-25 K B GRM	EZSFD	CX-NSZ315
0	MICON	C	0108	87-010-785-080	0E	C-CAP,U 0.015-25 K B GRM	EZSFD	CX-NSZ310

# PARTS LIST

! =  $\Delta$  SAFTY PARTS  
 C = Components marked

All components used on this model at the production line are shown in this service manual.

However, please note that not all components will be available as spare parts for after-sales service.

Components marked S and O are designated as spare parts for service and will be stocked at the spare parts centers.

Components marked X and R are not designated as spare parts for after sales service, and will not be stocked at the spare parts centers.

K NO. = Only use japanese.

! C	UNIT NAME	REF NO.	PARTS CODE	K NO.	DESCRIPTION	SUFFIX	MODEL NAME
0 O	MICON	C 0108	87-010-785-080	0E	C-CAP,U 0.015-25 K B GRM	KSFD	CX-NSZ310
0 O	MICON	C 0108	87-010-785-080	0E	C-CAP,U 0.015-25 K B GRM	LHSFD	CX-NSZ310
0 O	MICON	C 0108	87-010-785-080	0E	C-CAP,U 0.015-25 K B GRM	LHSFD	CX-NSZ510
0 O	MICON	C 0108	87-010-785-080	0E	C-CAP,U 0.015-25 K B GRM	USM	CX-SNAJ310
0 O	MICON	C 0153	87-010-787-080	0E	C-CAP,U 0.022-25 K B	EZSFD	CX-NSZ315
0 O	MICON	C 0153	87-010-787-080	0E	C-CAP,U 0.022-25 K B	EZSFD	CX-NSZ310
0 O	MICON	C 0153	87-010-787-080	0E	C-CAP,U 0.022-25 K B	KSFD	CX-NSZ310
0 O	MICON	C 0153	87-010-787-080	0E	C-CAP,U 0.022-25 K B	LHSFD	CX-NSZ310
0 O	MICON	C 0153	87-010-787-080	0E	C-CAP,U 0.022-25 K B	LHSFD	CX-NSZ510
0 O	MICON	C 0153	87-010-787-080	0E	C-CAP,U 0.022-25 K B	USM	CX-SNAJ310
0 O	MICON	C 0154	87-010-246-040	0E	CAP,E 47-35 M 11L SME	EZSFD	CX-NSZ315
0 O	MICON	C 0154	87-010-246-040	0E	CAP,E 47-35 M 11L SME	EZSFD	CX-NSZ310
0 O	MICON	C 0154	87-010-246-040	0E	CAP,E 47-35 M 11L SME	KSFD	CX-NSZ310
0 O	MICON	C 0154	87-010-246-040	0E	CAP,E 47-35 M 11L SME	LHSFD	CX-NSZ310
0 O	MICON	C 0154	87-010-246-040	0E	CAP,E 47-35 M 11L SME	LHSFD	CX-NSZ510
0 O	MICON	C 0154	87-010-246-040	0E	CAP,E 47-35 M 11L SME	USM	CX-SNAJ310
0 O	MICON	C 0155	87-010-404-040	0E	CAP,E 4.7-50 M 11L SME	EZSFD	CX-NSZ315
0 O	MICON	C 0155	87-010-404-040	0E	CAP,E 4.7-50 M 11L SME	EZSFD	CX-NSZ310
0 O	MICON	C 0155	87-010-404-040	0E	CAP,E 4.7-50 M 11L SME	KSFD	CX-NSZ310
0 O	MICON	C 0155	87-010-404-040	0E	CAP,E 4.7-50 M 11L SME	LHSFD	CX-NSZ310
0 O	MICON	C 0155	87-010-404-040	0E	CAP,E 4.7-50 M 11L SME	LHSFD	CX-NSZ510
0 O	MICON	C 0155	87-010-404-040	0E	CAP,E 4.7-50 M 11L SME	USM	CX-SNAJ310
0 O	MICON	C 0156	87-010-404-040	0E	CAP,E 4.7-50 M 11L SME	EZSFD	CX-NSZ315
0 O	MICON	C 0156	87-010-404-040	0E	CAP,E 4.7-50 M 11L SME	EZSFD	CX-NSZ310
0 O	MICON	C 0156	87-010-404-040	0E	CAP,E 4.7-50 M 11L SME	KSFD	CX-NSZ310
0 O	MICON	C 0156	87-010-404-040	0E	CAP,E 4.7-50 M 11L SME	LHSFD	CX-NSZ310
0 O	MICON	C 0156	87-010-404-040	0E	CAP,E 4.7-50 M 11L SME	LHSFD	CX-NSZ510
0 O	MICON	C 0156	87-010-404-040	0E	CAP,E 4.7-50 M 11L SME	USM	CX-SNAJ310
0 O	MICON	C 0301	87-012-278-080	0E	C-CAP,U 2200P-50 K B	EZSFD	CX-NSZ315
0 O	MICON	C 0301	87-012-278-080	0E	C-CAP,U 2200P-50 K B	EZSFD	CX-NSZ310
0 O	MICON	C 0301	87-012-278-080	0E	C-CAP,U 2200P-50 K B	KSFD	CX-NSZ310
0 O	MICON	C 0301	87-012-278-080	0E	C-CAP,U 2200P-50 K B	LHSFD	CX-NSZ310
0 O	MICON	C 0301	87-012-278-080	0E	C-CAP,U 2200P-50 K B	LHSFD	CX-NSZ510
0 O	MICON	C 0301	87-012-278-080	0E	C-CAP,U 2200P-50 K B	USM	CX-SNAJ310
0 O	MICON	C 0351	87-A10-353-080	0E	C-CAP,U 0.22-10 K B	EZSFD	CX-NSZ315
0 O	MICON	C 0351	87-A10-353-080	0E	C-CAP,U 0.22-10 K B	EZSFD	CX-NSZ310
0 O	MICON	C 0351	87-A10-353-080	0E	C-CAP,U 0.22-10 K B	KSFD	CX-NSZ310
0 O	MICON	C 0351	87-A10-353-080	0E	C-CAP,U 0.22-10 K B	LHSFD	CX-NSZ310
0 O	MICON	C 0351	87-A10-353-080	0E	C-CAP,U 0.22-10 K B	LHSFD	CX-NSZ510
0 O	MICON	C 0351	87-A10-353-080	0E	C-CAP,U 0.22-10 K B	USM	CX-SNAJ310
0 O	MICON	C 0361	87-012-274-080	0E	C-CAP,U 1000P-50 K B	EZSFD	CX-NSZ315
0 O	MICON	C 0361	87-012-274-080	0E	C-CAP,U 1000P-50 K B	EZSFD	CX-NSZ310
0 O	MICON	C 0361	87-012-274-080	0E	C-CAP,U 1000P-50 K B	KSFD	CX-NSZ310
0 O	MICON	C 0361	87-012-274-080	0E	C-CAP,U 1000P-50 K B	LHSFD	CX-NSZ310
0 O	MICON	C 0361	87-012-274-080	0E	C-CAP,U 1000P-50 K B	LHSFD	CX-NSZ510
0 O	MICON	C 0361	87-012-274-080	0E	C-CAP,U 1000P-50 K B	USM	CX-SNAJ310
0 O	MICON	C 0362	87-012-274-080	0E	C-CAP,U 1000P-50 K B	EZSFD	CX-NSZ315
0 O	MICON	C 0362	87-012-274-080	0E	C-CAP,U 1000P-50 K B	EZSFD	CX-NSZ310
0 O	MICON	C 0362	87-012-274-080	0E	C-CAP,U 1000P-50 K B	KSFD	CX-NSZ310
0 O	MICON	C 0362	87-012-274-080	0E	C-CAP,U 1000P-50 K B	LHSFD	CX-NSZ310
0 O	MICON	C 0362	87-012-274-080	0E	C-CAP,U 1000P-50 K B	LHSFD	CX-NSZ510
0 O	MICON	C 0362	87-012-274-080	0E	C-CAP,U 1000P-50 K B	USM	CX-SNAJ310
0 O	MICON	C 0371	87-012-274-080	0E	C-CAP,U 1000P-50 K B	EZSFD	CX-NSZ315
0 O	MICON	C 0371	87-012-274-080	0E	C-CAP,U 1000P-50 K B	EZSFD	CX-NSZ310
0 O	MICON	C 0371	87-012-274-080	0E	C-CAP,U 1000P-50 K B	KSFD	CX-NSZ310
0 O	MICON	C 0371	87-012-274-080	0E	C-CAP,U 1000P-50 K B	LHSFD	CX-NSZ310
0 O	MICON	C 0371	87-012-274-080	0E	C-CAP,U 1000P-50 K B	LHSFD	CX-NSZ510
0 O	MICON	C 0371	87-012-274-080	0E	C-CAP,U 1000P-50 K B	USM	CX-SNAJ310
0 O	MICON	C 0372	87-012-274-080	0E	C-CAP,U 1000P-50 K B	EZSFD	CX-NSZ315
0 O	MICON	C 0372	87-012-274-080	0E	C-CAP,U 1000P-50 K B	EZSFD	CX-NSZ310
0 O	MICON	C 0372	87-012-274-080	0E	C-CAP,U 1000P-50 K B	LHSFD	CX-NSZ510
0 O	MICON	C 0372	87-012-274-080	0E	C-CAP,U 1000P-50 K B	USM	CX-SNAJ310
0 O	MICON	C 0601	87-010-382-040	0E	CAP,E 22-25 M 11L SME	EZSFD	CX-NSZ315
0 O	MICON	C 0601	87-010-382-040	0E	CAP,E 22-25 M 11L SME	EZSFD	CX-NSZ310
0 O	MICON	C 0601	87-010-382-040	0E	CAP,E 22-25 M 11L SME	KSFD	CX-NSZ310
0 O	MICON	C 0601	87-010-382-040	0E	CAP,E 22-25 M 11L SME	LHSFD	CX-NSZ310
0 O	MICON	C 0601	87-010-382-040	0E	CAP,E 22-25 M 11L SME	LHSFD	CX-NSZ510
0 O	MICON	C 0601	87-010-382-040	0E	CAP,E 22-25 M 11L SME	USM	CX-SNAJ310

# PARTS LIST

! =  $\Delta$  SAFTY PARTS  
 C = Components marked

All components used on this model at the production line are shown in this service manual.

However, please note that not all components will be available as spare parts for after-sales service.

Components marked S and O are designated as spare parts for service and will be stocked at the spare parts centers.

Components marked X and R are not designated as spare parts for after sales service, and will not be stocked at the spare parts centers.

K NO. = Only use japanese.

! C	UNIT NAME	REF NO.	PARTS CODE	K NO.	DESCRIPTION	SUFFIX	MODEL NAME
0	O MICON	C 0702	87-010-787-080	0E	C-CAP,U 0.022-25 K B	EZSFD	CX-NSZ315
0	O MICON	C 0702	87-012-286-080	0E	C-CAP,U 0.01-25 K B	EZSFD	CX-NSZ310
0	O MICON	C 0702	87-012-286-080	0E	C-CAP,U 0.01-25 K B	KSFD	CX-NSZ310
0	O MICON	C 0702	87-012-286-080	0E	C-CAP,U 0.01-25 K B	LHSFD	CX-NSZ310
0	O MICON	C 0702	87-012-286-080	0E	C-CAP,U 0.01-25 K B	LHSFD	CX-NSZ510
0	O MICON	C 0702	87-012-286-080	0E	C-CAP,U 0.01-25 K B	USM	CX-SNAJ310
0	O MICON	C 0801	87-A10-804-080	0E	C-CAP,S 0.1-25 J B	EZSFD	CX-NSZ315
0	O MICON	C 0801	87-A10-804-080	0E	C-CAP,S 0.1-25 J B	EZSFD	CX-NSZ310
0	O MICON	C 0801	87-A10-804-080	0E	C-CAP,S 0.1-25 J B	KSFD	CX-NSZ310
0	O MICON	C 0801	87-A10-804-080	0E	C-CAP,S 0.1-25 J B	LHSFD	CX-NSZ310
0	O MICON	C 0801	87-A10-804-080	0E	C-CAP,S 0.1-25 J B	LHSFD	CX-NSZ510
0	O MICON	C 0801	87-A10-804-080	0E	C-CAP,S 0.1-25 J B	USM	CX-SNAJ310
0	O MICON	C 0802	87-010-316-080	0E	C-CAP,S 33P-50 J CH GRM	EZSFD	CX-NSZ315
0	O MICON	C 0802	87-010-316-080	0E	C-CAP,S 33P-50 J CH GRM	EZSFD	CX-NSZ310
0	O MICON	C 0802	87-010-316-080	0E	C-CAP,S 33P-50 J CH GRM	KSFD	CX-NSZ310
0	O MICON	C 0802	87-010-316-080	0E	C-CAP,S 33P-50 J CH GRM	LHSFD	CX-NSZ310
0	O MICON	C 0802	87-010-316-080	0E	C-CAP,S 33P-50 J CH GRM	LHSFD	CX-NSZ510
0	O MICON	C 0802	87-010-316-080	0E	C-CAP,S 33P-50 J CH GRM	USM	CX-SNAJ310
0	O MICON	C 0803	87-012-280-080	0E	C-CAP,U 3300P-50 K B	EZSFD	CX-NSZ315
0	O MICON	C 0803	87-012-280-080	0E	C-CAP,U 3300P-50 K B	EZSFD	CX-NSZ310
0	O MICON	C 0803	87-012-280-080	0E	C-CAP,U 3300P-50 K B	KSFD	CX-NSZ310
0	O MICON	C 0803	87-012-280-080	0E	C-CAP,U 3300P-50 K B	LHSFD	CX-NSZ310
0	O MICON	C 0803	87-012-280-080	0E	C-CAP,U 3300P-50 K B	LHSFD	CX-NSZ510
0	O MICON	C 0803	87-012-280-080	0E	C-CAP,U 3300P-50 K B	USM	CX-SNAJ310
0	O MICON	C 0804	87-A10-592-080	0E	C-CAP,S 0.015-50 J B	EZSFD	CX-NSZ315
0	O MICON	C 0804	87-A10-592-080	0E	C-CAP,S 0.015-50 J B	EZSFD	CX-NSZ310
0	O MICON	C 0804	87-A10-592-080	0E	C-CAP,S 0.015-50 J B	KSFD	CX-NSZ310
0	O MICON	C 0804	87-A10-592-080	0E	C-CAP,S 0.015-50 J B	LHSFD	CX-NSZ310
0	O MICON	C 0804	87-A10-592-080	0E	C-CAP,S 0.015-50 J B	LHSFD	CX-NSZ510
0	O MICON	C 0804	87-A10-592-080	0E	C-CAP,S 0.015-50 J B	USM	CX-SNAJ310
0	O MICON	C 0805	87-012-184-080	0E	C-CAP,U 33P-50 J CH	EZSFD	CX-NSZ315
0	O MICON	C 0805	87-012-184-080	0E	C-CAP,U 33P-50 J CH	EZSFD	CX-NSZ310
0	O MICON	C 0805	87-012-184-080	0E	C-CAP,U 33P-50 J CH	KSFD	CX-NSZ310
0	O MICON	C 0805	87-012-184-080	0E	C-CAP,U 33P-50 J CH	LHSFD	CX-NSZ310
0	O MICON	C 0805	87-012-184-080	0E	C-CAP,U 33P-50 J CH	LHSFD	CX-NSZ510
0	O MICON	C 0805	87-012-184-080	0E	C-CAP,U 33P-50 J CH	USM	CX-SNAJ310
0	O MICON	C 0806	87-012-274-080	0E	C-CAP,U 1000P-50 K B	EZSFD	CX-NSZ315
0	O MICON	C 0806	87-012-274-080	0E	C-CAP,U 1000P-50 K B	EZSFD	CX-NSZ310
0	O MICON	C 0806	87-012-274-080	0E	C-CAP,U 1000P-50 K B	KSFD	CX-NSZ310
0	O MICON	C 0806	87-012-274-080	0E	C-CAP,U 1000P-50 K B	LHSFD	CX-NSZ310
0	O MICON	C 0806	87-012-274-080	0E	C-CAP,U 1000P-50 K B	LHSFD	CX-NSZ510
0	O MICON	C 0807	87-012-274-080	0E	C-CAP,U 1000P-50 K B	USM	CX-SNAJ310
0	O MICON	C 0808	87-010-544-040	0E	CAP,E 0.1-50 M 11L SME	EZSFD	CX-NSZ315
0	O MICON	C 0808	87-010-544-040	0E	CAP,E 0.1-50 M 11L SME	EZSFD	CX-NSZ310
0	O MICON	C 0808	87-010-544-040	0E	CAP,E 0.1-50 M 11L SME	KSFD	CX-NSZ310
0	O MICON	C 0808	87-010-544-040	0E	CAP,E 0.1-50 M 11L SME	LHSFD	CX-NSZ310
0	O MICON	C 0808	87-010-544-040	0E	CAP,E 0.1-50 M 11L SME	LHSFD	CX-NSZ510
0	O MICON	C 0809	87-010-404-040	0E	CAP,E 4.7-50 M 11L SME	USM	CX-SNAJ310
0	O MICON	C 0809	87-010-404-040	0E	CAP,E 4.7-50 M 11L SME	EZSFD	CX-NSZ315
0	O MICON	C 0809	87-010-404-040	0E	CAP,E 4.7-50 M 11L SME	EZSFD	CX-NSZ310
0	O MICON	C 0809	87-010-404-040	0E	CAP,E 4.7-50 M 11L SME	KSFD	CX-NSZ310
0	O MICON	C 0809	87-010-404-040	0E	CAP,E 4.7-50 M 11L SME	LHSFD	CX-NSZ310
0	O MICON	C 0809	87-010-404-040	0E	CAP,E 4.7-50 M 11L SME	LHSFD	CX-NSZ510
0	O MICON	C 0809	87-010-404-040	0E	CAP,E 4.7-50 M 11L SME	USM	CX-SNAJ310
0	O MICON	C 0810	87-016-114-080	0E	C-CAP,U 0.01-25 J B GRM	EZSFD	CX-NSZ315
0	O MICON	C 0810	87-016-114-080	0E	C-CAP,U 0.01-25 J B GRM	EZSFD	CX-NSZ310
0	O MICON	C 0810	87-016-114-080	0E	C-CAP,U 0.01-25 J B GRM	KSFD	CX-NSZ310
0	O MICON	C 0810	87-016-114-080	0E	C-CAP,U 0.01-25 J B GRM	LHSFD	CX-NSZ310
0	O MICON	C 0810	87-016-114-080	0E	C-CAP,U 0.01-25 J B GRM	LHSFD	CX-NSZ510
0	O MICON	C 0810	87-016-114-080	0E	C-CAP,U 0.01-25 J B GRM	USM	CX-SNAJ310
0	O MICON	C 0811	87-A12-052-080	0E	C-CAP,S 0.033-25 J B	EZSFD	CX-NSZ315
0	O MICON	C 0811	87-A12-052-080	0E	C-CAP,S 0.033-25 J B	EZSFD	CX-NSZ310
0	O MICON	C 0811	87-A12-052-080	0E	C-CAP,S 0.033-25 J B	KSFD	CX-NSZ310
0	O MICON	C 0811	87-A12-052-080	0E	C-CAP,S 0.033-25 J B	LHSFD	CX-NSZ310

# PARTS LIST

- ! =  $\Delta$  SAFTY PARTS
- C = Components marked

All components used on this model at the production line are shown in this service manual.  
 However, please note that not all components will be available as spare parts for after-sales service.  
 Components marked S and O are designated as spare parts for service and will be stocked at the spare parts centers.  
 Components marked X and R are not designated as spare parts for after sales service, and will not be stocked at the spare parts centers.  
 K NO. = Only use japanese.

! C	UNIT NAME	REF NO.	PARTS CODE	K NO.	DESCRIPTION	SUFFIX	MODEL NAME
0 O	MICON	C	0811 87-A12-052-080	0E	C-CAP,S 0.033-25 J B	LHSFD	CX-NSZ510
0 O	MICON	C	0811 87-A12-052-080	0E	C-CAP,S 0.033-25 J B	USM	CX-SNAJ310
O	MICON	C	0901 87-012-195-080	0E	C-CAP,U 100P-50 J CH	EZSFD	CX-NSZ315
0 O	MICON	C	0901 87-012-195-080	0E	C-CAP,U 100P-50 J CH	EZSFD	CX-NSZ310
0 O	MICON	C	0901 87-012-195-080	0E	C-CAP,U 100P-50 J CH	KSFD	CX-NSZ310
0 O	MICON	C	0901 87-012-195-080	0E	C-CAP,U 100P-50 J CH	LHSFD	CX-NSZ310
0 O	MICON	C	0901 87-012-195-080	0E	C-CAP,U 100P-50 J CH	LHSFD	CX-NSZ510
0 O	MICON	C	0901 87-012-195-080	0E	C-CAP,U 100P-50 J CH	USM	CX-SNAJ310
O	MICON	C	0902 87-012-195-080	0E	C-CAP,U 100P-50 J CH	EZSFD	CX-NSZ315
0 O	MICON	C	0902 87-012-195-080	0E	C-CAP,U 100P-50 J CH	EZSFD	CX-NSZ310
0 O	MICON	C	0902 87-012-195-080	0E	C-CAP,U 100P-50 J CH	KSFD	CX-NSZ310
0 O	MICON	C	0902 87-012-195-080	0E	C-CAP,U 100P-50 J CH	LHSFD	CX-NSZ310
0 O	MICON	C	0902 87-012-195-080	0E	C-CAP,U 100P-50 J CH	LHSFD	CX-NSZ510
0 O	MICON	C	0902 87-012-195-080	0E	C-CAP,U 100P-50 J CH	USM	CX-SNAJ310
0 O	MICON	C	0902 87-012-195-080	0E	C-CAP,U 100P-50 J CH	EZSFD	CX-NSZ315
0 O	MICON	C	0902 87-012-195-080	0E	C-CAP,U 100P-50 J CH	EZSFD	CX-NSZ310
0 O	MICON	C	0903 87-012-195-080	0E	C-CAP,U 100P-50 J CH	KSFD	CX-NSZ310
0 O	MICON	C	0903 87-012-195-080	0E	C-CAP,U 100P-50 J CH	LHSFD	CX-NSZ310
0 O	MICON	C	0903 87-012-195-080	0E	C-CAP,U 100P-50 J CH	LHSFD	CX-NSZ510
0 O	MICON	C	0903 87-012-195-080	0E	C-CAP,U 100P-50 J CH	USM	CX-SNAJ310
0 O	MICON	C	0903 87-012-195-080	0E	C-CAP,U 100P-50 J CH	EZSFD	CX-NSZ315
0 O	MICON	C	0903 87-012-195-080	0E	C-CAP,U 100P-50 J CH	EZSFD	CX-NSZ310
0 O	MICON	C	0903 87-012-195-080	0E	C-CAP,U 100P-50 J CH	KSFD	CX-NSZ310
0 O	MICON	C	0903 87-012-195-080	0E	C-CAP,U 100P-50 J CH	LHSFD	CX-NSZ310
0 O	MICON	C	0903 87-012-195-080	0E	C-CAP,U 100P-50 J CH	LHSFD	CX-NSZ510
0 O	MICON	C	0903 87-012-195-080	0E	C-CAP,U 100P-50 J CH	USM	CX-SNAJ310
O	MICON	C	0904 87-012-195-080	0E	C-CAP,U 100P-50 J CH	EZSFD	CX-NSZ315
0 O	MICON	C	0904 87-012-195-080	0E	C-CAP,U 100P-50 J CH	EZSFD	CX-NSZ310
0 O	MICON	C	0904 87-012-195-080	0E	C-CAP,U 100P-50 J CH	KSFD	CX-NSZ310
0 O	MICON	C	0904 87-012-195-080	0E	C-CAP,U 100P-50 J CH	LHSFD	CX-NSZ310
0 O	MICON	C	0904 87-012-195-080	0E	C-CAP,U 100P-50 J CH	LHSFD	CX-NSZ510
0 O	MICON	C	0904 87-012-195-080	0E	C-CAP,U 100P-50 J CH	USM	CX-SNAJ310
O	MICON	C	0905 87-012-195-080	0E	C-CAP,U 100P-50 J CH	EZSFD	CX-NSZ315
0 O	MICON	C	0905 87-012-195-080	0E	C-CAP,U 100P-50 J CH	EZSFD	CX-NSZ310
0 O	MICON	C	0905 87-012-195-080	0E	C-CAP,U 100P-50 J CH	KSFD	CX-NSZ310
0 O	MICON	C	0905 87-012-195-080	0E	C-CAP,U 100P-50 J CH	KSFD	CX-NSZ310
0 O	MICON	C	0905 87-012-195-080	0E	C-CAP,U 100P-50 J CH	LHSFD	CX-NSZ310
0 O	MICON	C	0905 87-012-195-080	0E	C-CAP,U 100P-50 J CH	LHSFD	CX-NSZ510
0 O	MICON	C	0905 87-012-195-080	0E	C-CAP,U 100P-50 J CH	USM	CX-SNAJ310
0 O	MICON	C	0905 87-012-195-080	0E	C-CAP,U 100P-50 J CH	EZSFD	CX-NSZ315
0 O	MICON	C	0905 87-012-195-080	0E	C-CAP,U 100P-50 J CH	EZSFD	CX-NSZ310
0 O	MICON	C	0906 87-012-195-080	0E	C-CAP,U 100P-50 J CH	KSFD	CX-NSZ310
0 O	MICON	C	0906 87-012-195-080	0E	C-CAP,U 100P-50 J CH	LHSFD	CX-NSZ310
0 O	MICON	C	0906 87-012-195-080	0E	C-CAP,U 100P-50 J CH	LHSFD	CX-NSZ510
0 O	MICON	C	0906 87-012-195-080	0E	C-CAP,U 100P-50 J CH	USM	CX-SNAJ310
O	MICON	C	0907 87-012-195-080	0E	C-CAP,U 100P-50 J CH	EZSFD	CX-NSZ315
0 O	MICON	C	0907 87-012-195-080	0E	C-CAP,U 100P-50 J CH	EZSFD	CX-NSZ310
0 O	MICON	C	0907 87-012-195-080	0E	C-CAP,U 100P-50 J CH	KSFD	CX-NSZ310
0 O	MICON	C	0907 87-012-195-080	0E	C-CAP,U 100P-50 J CH	LHSFD	CX-NSZ310
0 O	MICON	C	0907 87-012-195-080	0E	C-CAP,U 100P-50 J CH	LHSFD	CX-NSZ510
0 O	MICON	C	0907 87-012-195-080	0E	C-CAP,U 100P-50 J CH	USM	CX-SNAJ310
O	MICON	C	0908 87-012-195-080	0E	C-CAP,U 100P-50 J CH	EZSFD	CX-NSZ315
0 O	MICON	C	0908 87-012-195-080	0E	C-CAP,U 100P-50 J CH	EZSFD	CX-NSZ310
0 O	MICON	C	0908 87-012-195-080	0E	C-CAP,U 100P-50 J CH	KSFD	CX-NSZ310
0 O	MICON	C	0908 87-012-195-080	0E	C-CAP,U 100P-50 J CH	LHSFD	CX-NSZ310
0 O	MICON	C	0908 87-012-195-080	0E	C-CAP,U 100P-50 J CH	LHSFD	CX-NSZ510
0 O	MICON	C	0908 87-012-195-080	0E	C-CAP,U 100P-50 J CH	USM	CX-SNAJ310
O	MICON	C	0909 87-012-195-080	0E	C-CAP,U 100P-50 J CH	EZSFD	CX-NSZ315
0 O	MICON	C	0909 87-012-195-080	0E	C-CAP,U 100P-50 J CH	EZSFD	CX-NSZ310
0 O	MICON	C	0909 87-012-195-080	0E	C-CAP,U 100P-50 J CH	KSFD	CX-NSZ310
0 O	MICON	C	0909 87-012-195-080	0E	C-CAP,U 100P-50 J CH	LHSFD	CX-NSZ310
0 O	MICON	C	0909 87-012-195-080	0E	C-CAP,U 100P-50 J CH	LHSFD	CX-NSZ510
0 O	MICON	C	0909 87-012-195-080	0E	C-CAP,U 100P-50 J CH	USM	CX-SNAJ310
O	MICON	C	0910 87-012-195-080	0E	C-CAP,U 100P-50 J CH	EZSFD	CX-NSZ315
0 O	MICON	C	0910 87-012-195-080	0E	C-CAP,U 100P-50 J CH	EZSFD	CX-NSZ310
0 O	MICON	C	0910 87-012-195-080	0E	C-CAP,U 100P-50 J CH	KSFD	CX-NSZ310
0 O	MICON	C	0910 87-012-195-080	0E	C-CAP,U 100P-50 J CH	LHSFD	CX-NSZ310
0 O	MICON	C	0910 87-012-195-080	0E	C-CAP,U 100P-50 J CH	LHSFD	CX-NSZ510
0 O	MICON	C	0910 87-012-195-080	0E	C-CAP,U 100P-50 J CH	USM	CX-SNAJ310
O	MICON	C	0911 87-012-274-080	0E	C-CAP,U 1000P-50 K B	EZSFD	CX-NSZ315
0 O	MICON	C	0911 87-012-274-080	0E	C-CAP,U 1000P-50 K B	EZSFD	CX-NSZ310
0 O	MICON	C	0911 87-012-274-080	0E	C-CAP,U 1000P-50 K B	KSFD	CX-NSZ310
0 O	MICON	C	0911 87-012-274-080	0E	C-CAP,U 1000P-50 K B	LHSFD	CX-NSZ310
0 O	MICON	C	0911 87-012-274-080	0E	C-CAP,U 1000P-50 K B	LHSFD	CX-NSZ510
0 O	MICON	C	0911 87-012-274-080	0E	C-CAP,U 1000P-50 K B	USM	CX-SNAJ310
O	MICON	C	0912 87-010-831-080	0E	C-CAP,U 0.1-16 Z F	EZSFD	CX-NSZ315
0 O	MICON	C	0912 87-010-831-080	0E	C-CAP,U 0.1-16 Z F	EZSFD	CX-NSZ310

# PARTS LIST

! =  $\Delta$  SAFTY PARTS  
 C = Components marked

All components used on this model at the production line are shown in this service manual.

However, please note that not all components will be available as spare parts for after-sales service.

Components marked S and O are designated as spare parts for service and will be stocked at the spare parts centers.

Components marked X and R are not designated as spare parts for after sales service, and will not be stocked at the spare parts centers.

K NO. = Only use japanese.

! C	UNIT NAME	REF NO.	PARTS CODE	K NO.	DESCRIPTION	SUFFIX	MODEL NAME
0 O	MICON	C 0912	87-010-831-080	0E	C-CAP,U 0.1-16 Z F	KSFD	CX-NSZ310
0 O	MICON	C 0912	87-010-831-080	0E	C-CAP,U 0.1-16 Z F	LHSFD	CX-NSZ310
0 O	MICON	C 0912	87-010-831-080	0E	C-CAP,U 0.1-16 Z F	LHSFD	CX-NSZ510
0 O	MICON	C 0912	87-010-831-080	0E	C-CAP,U 0.1-16 Z F	USM	CX-SNAJ310
0 O	MICON	C 0913	87-A10-189-040	0E	CAP,E 220-10 M 5L	EZSFD	CX-NSZ315
0 O	MICON	C 0913	87-A10-189-040	0E	CAP,E 220-10 M 5L	EZSFD	CX-NSZ310
0 O	MICON	C 0913	87-A10-189-040	0E	CAP,E 220-10 M 5L	KSFD	CX-NSZ310
0 O	MICON	C 0913	87-A10-189-040	0E	CAP,E 220-10 M 5L	LHSFD	CX-NSZ310
0 O	MICON	C 0913	87-A10-189-040	0E	CAP,E 220-10 M 5L	LHSFD	CX-NSZ510
0 O	MICON	C 0913	87-A10-189-040	0E	CAP,E 220-10 M 5L	USM	CX-SNAJ310
0 O	MICON	C 0914	87-A10-189-040	0E	CAP,E 220-10 M 5L	EZSFD	CX-NSZ315
0 O	MICON	C 0914	87-A10-189-040	0E	CAP,E 220-10 M 5L	EZSFD	CX-NSZ310
0 O	MICON	C 0914	87-A10-189-040	0E	CAP,E 220-10 M 5L	KSFD	CX-NSZ310
0 O	MICON	C 0914	87-A10-189-040	0E	CAP,E 220-10 M 5L	LHSFD	CX-NSZ310
0 O	MICON	C 0914	87-A10-189-040	0E	CAP,E 220-10 M 5L	LHSFD	CX-NSZ510
0 O	MICON	C 0914	87-A10-189-040	0E	CAP,E 220-10 M 5L	USM	CX-SNAJ310
0 O	MICON	C 0915	87-010-831-080	0E	C-CAP,U 0.1-16 Z F	EZSFD	CX-NSZ315
0 O	MICON	C 0915	87-010-831-080	0E	C-CAP,U 0.1-16 Z F	EZSFD	CX-NSZ310
0 O	MICON	C 0915	87-010-831-080	0E	C-CAP,U 0.1-16 Z F	KSFD	CX-NSZ310
0 O	MICON	C 0915	87-010-831-080	0E	C-CAP,U 0.1-16 Z F	LHSFD	CX-NSZ310
0 O	MICON	C 0915	87-010-831-080	0E	C-CAP,U 0.1-16 Z F	LHSFD	CX-NSZ510
0 O	MICON	C 0915	87-010-831-080	0E	C-CAP,U 0.1-16 Z F	USM	CX-SNAJ310
0 O	MICON	C 0916	87-010-831-080	0E	C-CAP,U 0.1-16 Z F	EZSFD	CX-NSZ315
0 O	MICON	C 0916	87-010-831-080	0E	C-CAP,U 0.1-16 Z F	EZSFD	CX-NSZ310
0 O	MICON	C 0916	87-010-831-080	0E	C-CAP,U 0.1-16 Z F	KSFD	CX-NSZ310
0 O	MICON	C 0916	87-010-831-080	0E	C-CAP,U 0.1-16 Z F	LHSFD	CX-NSZ310
0 O	MICON	C 0916	87-010-831-080	0E	C-CAP,U 0.1-16 Z F	LHSFD	CX-NSZ510
0 O	MICON	C 0916	87-010-831-080	0E	C-CAP,U 0.1-16 Z F	USM	CX-SNAJ310
0 O	MICON	C 0917	87-010-831-080	0E	C-CAP,U 0.1-16 Z F	EZSFD	CX-NSZ315
0 O	MICON	C 0917	87-010-831-080	0E	C-CAP,U 0.1-16 Z F	EZSFD	CX-NSZ310
0 O	MICON	C 0917	87-010-831-080	0E	C-CAP,U 0.1-16 Z F	KSFD	CX-NSZ310
0 O	MICON	C 0917	87-010-831-080	0E	C-CAP,U 0.1-16 Z F	LHSFD	CX-NSZ310
0 O	MICON	C 0917	87-010-831-080	0E	C-CAP,U 0.1-16 Z F	LHSFD	CX-NSZ510
0 O	MICON	C 0917	87-010-831-080	0E	C-CAP,U 0.1-16 Z F	USM	CX-SNAJ310
0 O	MICON	C 0919	87-012-286-080	0E	C-CAP,U 0.01-25 K B	EZSFD	CX-NSZ315
0 O	MICON	C 0919	87-012-286-080	0E	C-CAP,U 0.01-25 K B	EZSFD	CX-NSZ310
0 O	MICON	C 0919	87-012-286-080	0E	C-CAP,U 0.01-25 K B	KSFD	CX-NSZ310
0 O	MICON	C 0919	87-012-286-080	0E	C-CAP,U 0.01-25 K B	LHSFD	CX-NSZ310
0 O	MICON	C 0919	87-012-286-080	0E	C-CAP,U 0.01-25 K B	LHSFD	CX-NSZ510
0 O	MICON	C 0919	87-012-286-080	0E	C-CAP,U 0.01-25 K B	USM	CX-SNAJ310
0 O	MICON	C 0920	87-010-829-080	0E	C-CAP,U 0.047-16 Z F	EZSFD	CX-NSZ315
0 O	MICON	C 0920	87-010-829-080	0E	C-CAP,U 0.047-16 Z F	EZSFD	CX-NSZ310
0 O	MICON	C 0920	87-010-829-080	0E	C-CAP,U 0.047-16 Z F	KSFD	CX-NSZ310
0 O	MICON	C 0920	87-010-829-080	0E	C-CAP,U 0.047-16 Z F	LHSFD	CX-NSZ310
0 O	MICON	C 0920	87-010-829-080	0E	C-CAP,U 0.047-16 Z F	LHSFD	CX-NSZ510
0 O	MICON	C 0920	87-010-829-080	0E	C-CAP,U 0.047-16 Z F	USM	CX-SNAJ310
0 O	MICON	C 0921	87-012-282-080	0E	C-CAP,U 4700P-50 K B	EZSFD	CX-NSZ315
0 O	MICON	C 0921	87-012-282-080	0E	C-CAP,U 4700P-50 K B	EZSFD	CX-NSZ310
0 O	MICON	C 0921	87-012-282-080	0E	C-CAP,U 4700P-50 K B	KSFD	CX-NSZ310
0 O	MICON	C 0921	87-012-282-080	0E	C-CAP,U 4700P-50 K B	LHSFD	CX-NSZ310
0 O	MICON	C 0921	87-012-282-080	0E	C-CAP,U 4700P-50 K B	LHSFD	CX-NSZ510
0 O	MICON	C 0921	87-012-282-080	0E	C-CAP,U 4700P-50 K B	USM	CX-SNAJ310
0 O	MICON	C 0951	87-012-172-080	0E	C-CAP,U 10P-50 D CH	EZSFD	CX-NSZ315
0 O	MICON	C 0951	87-012-172-080	0E	C-CAP,U 10P-50 D CH	EZSFD	CX-NSZ310
0 O	MICON	C 0951	87-012-172-080	0E	C-CAP,U 10P-50 D CH	KSFD	CX-NSZ310
0 O	MICON	C 0951	87-012-172-080	0E	C-CAP,U 10P-50 D CH	LHSFD	CX-NSZ310
0 O	MICON	C 0951	87-012-172-080	0E	C-CAP,U 10P-50 D CH	LHSFD	CX-NSZ510
0 O	MICON	C 0951	87-012-172-080	0E	C-CAP,U 10P-50 D CH	USM	CX-SNAJ310
0 O	MICON	C 0952	87-010-854-080	0E	C-CAP,S 560P-50 J CH	EZSFD	CX-NSZ315
0 O	MICON	C 0952	87-010-854-080	0E	C-CAP,S 560P-50 J CH	EZSFD	CX-NSZ310
0 O	MICON	C 0952	87-010-854-080	0E	C-CAP,S 560P-50 J CH	KSFD	CX-NSZ310
0 O	MICON	C 0952	87-010-854-080	0E	C-CAP,S 560P-50 J CH	LHSFD	CX-NSZ510
0 O	MICON	C 0952	87-010-854-080	0E	C-CAP,S 560P-50 J CH	USM	CX-SNAJ310
0 O	MICON	C 0953	87-012-349-080	0E	C-CAP,S 1000P-50 J CH GRM	EZSFD	CX-NSZ315
0 O	MICON	C 0953	87-012-349-080	0E	C-CAP,S 1000P-50 J CH GRM	EZSFD	CX-NSZ310
0 O	MICON	C 0953	87-012-349-080	0E	C-CAP,S 1000P-50 J CH GRM	KSFD	CX-NSZ310
0 O	MICON	C 0953	87-012-349-080	0E	C-CAP,S 1000P-50 J CH GRM	LHSFD	CX-NSZ310
0 O	MICON	C 0953	87-012-349-080	0E	C-CAP,S 1000P-50 J CH GRM	LHSFD	CX-NSZ510
0 O	MICON	C 0953	87-012-349-080	0E	C-CAP,S 1000P-50 J CH GRM	USM	CX-SNAJ310



# PARTS LIST

! =  $\Delta$  SAFTY PARTS  
 C = Components marked

All components used on this model at the production line are shown in this service manual.

However, please note that not all components will be available as spare parts for after-sales service.

Components marked S and O are designated as spare parts for service and will be stocked at the spare parts centers.

Components marked X and R are not designated as spare parts for after sales service, and will not be stocked at the spare parts centers.

K NO. = Only use japanese.

! C	UNIT NAME	REF NO.	PARTS CODE	K NO.	DESCRIPTION	SUFFIX	MODEL NAME
0 O	MICON	C	0961 87-010-378-040	0E	CAP,E 10-16 M 11L SME	EZSFD	CX-NSZ315
0 O	MICON	C	0961 87-010-378-040	0E	CAP,E 10-16 M 11L SME	EZSFD	CX-NSZ310
0 O	MICON	C	0961 87-010-378-040	0E	CAP,E 10-16 M 11L SME	KSFD	CX-NSZ310
0 O	MICON	C	0961 87-010-378-040	0E	CAP,E 10-16 M 11L SME	LHSFD	CX-NSZ310
0 O	MICON	C	0961 87-010-378-040	0E	CAP,E 10-16 M 11L SME	LHSFD	CX-NSZ510
0 O	MICON	C	0961 87-010-378-040	0E	CAP,E 10-16 M 11L SME	USM	CX-SNAJ310
0 O	MICON	C	0962 87-012-336-080	0E	C-CAP,U 330P-50 J SL	EZSFD	CX-NSZ315
0 O	MICON	C	0962 87-012-336-080	0E	C-CAP,U 330P-50 J SL	EZSFD	CX-NSZ310
0 O	MICON	C	0962 87-012-336-080	0E	C-CAP,U 330P-50 J SL	KSFD	CX-NSZ310
0 O	MICON	C	0962 87-012-336-080	0E	C-CAP,U 330P-50 J SL	LHSFD	CX-NSZ310
0 O	MICON	C	0962 87-012-336-080	0E	C-CAP,U 330P-50 J SL	LHSFD	CX-NSZ510
0 O	MICON	C	0962 87-012-336-080	0E	C-CAP,U 330P-50 J SL	USM	CX-SNAJ310
0 O	MICON	C	0963 87-010-831-080	0E	C-CAP,U 0.1-16 Z F	EZSFD	CX-NSZ315
0 O	MICON	C	0963 87-010-831-080	0E	C-CAP,U 0.1-16 Z F	EZSFD	CX-NSZ310
0 O	MICON	C	0963 87-010-831-080	0E	C-CAP,U 0.1-16 Z F	KSFD	CX-NSZ310
0 O	MICON	C	0963 87-010-831-080	0E	C-CAP,U 0.1-16 Z F	LHSFD	CX-NSZ310
0 O	MICON	C	0963 87-010-831-080	0E	C-CAP,U 0.1-16 Z F	LHSFD	CX-NSZ510
0 O	MICON	C	0963 87-010-831-080	0E	C-CAP,U 0.1-16 Z F	USM	CX-SNAJ310
! O	MICON	CN	0104 87-A60-057-010	0E	CONN,11P V 9604S-11C	EZSFD	CX-NSZ315
0 O	MICON	CN	0104 87-A60-057-010	0E	CONN,11P V 9604S-11C	EZSFD	CX-NSZ310
0 O	MICON	CN	0104 87-A60-057-010	0E	CONN,11P V 9604S-11C	KSFD	CX-NSZ310
0 O	MICON	CN	0104 87-A60-057-010	0E	CONN,11P V 9604S-11C	LHSFD	CX-NSZ310
0 O	MICON	CN	0104 87-A60-057-010	0E	CONN,11P V 9604S-11C	LHSFD	CX-NSZ510
! O	MICON	CN	0701 87-099-720-010	1B	CONN,30P BLK TYK-B (P)	USM	CX-SNAJ310
0 O	MICON	CN	0701 87-099-720-010	1B	CONN,30P BLK TYK-B (P)	EZSFD	CX-NSZ315
0 O	MICON	CN	0701 87-099-720-010	1B	CONN,30P BLK TYK-B (P)	EZSFD	CX-NSZ310
0 O	MICON	CN	0701 87-099-720-010	1B	CONN,30P BLK TYK-B (P)	KSFD	CX-NSZ310
0 O	MICON	CN	0701 87-099-720-010	1B	CONN,30P BLK TYK-B (P)	LHSFD	CX-NSZ310
0 O	MICON	CN	0701 87-099-720-010	1B	CONN,30P BLK TYK-B (P)	LHSFD	CX-NSZ510
0 O	MICON	CN	0701 87-099-720-010	1B	CONN,30P BLK TYK-B (P)	USM	CX-SNAJ310
! O	MICON	CN	0731 87-099-196-010	0E	CONN,8P V BLK 6216	EZSFD	CX-NSZ315
0 O	MICON	CN	0731 87-099-196-010	0E	CONN,8P V BLK 6216	EZSFD	CX-NSZ310
0 O	MICON	CN	0731 87-099-196-010	0E	CONN,8P V BLK 6216	KSFD	CX-NSZ310
0 O	MICON	CN	0731 87-099-196-010	0E	CONN,8P V BLK 6216	LHSFD	CX-NSZ310
0 O	MICON	CN	0731 87-099-196-010	0E	CONN,8P V BLK 6216	LHSFD	CX-NSZ510
0 O	MICON	CN	0731 87-099-196-010	0E	CONN,8P V BLK 6216	USM	CX-SNAJ310
0 S	MICON	D	0104 87-A40-291-080	0E	DIODE,1N4148M (CPT)	EZSFD	CX-NSZ315
0 S	MICON	D	0104 87-A40-291-080	0E	DIODE,1N4148M (CPT)	EZSFD	CX-NSZ310
0 S	MICON	D	0104 87-A40-291-080	0E	DIODE,1N4148M (CPT)	KSFD	CX-NSZ310
0 S	MICON	D	0104 87-A40-291-080	0E	DIODE,1N4148M (CPT)	LHSFD	CX-NSZ310
0 S	MICON	D	0104 87-A40-291-080	0E	DIODE,1N4148M (CPT)	LHSFD	CX-NSZ510
0 S	MICON	D	0104 87-A40-291-080	0E	DIODE,1N4148M (CPT)	USM	CX-SNAJ310
0 S	MICON	D	0301 87-A40-748-080	0E	ZENER,UZ5.6BSA	EZSFD	CX-NSZ315
0 S	MICON	D	0301 87-A40-748-080	0E	ZENER,UZ5.6BSA	EZSFD	CX-NSZ310
0 S	MICON	D	0301 87-A40-748-080	0E	ZENER,UZ5.6BSA	KSFD	CX-NSZ310
0 S	MICON	D	0301 87-A40-748-080	0E	ZENER,UZ5.6BSA	LHSFD	CX-NSZ310
0 S	MICON	D	0301 87-A40-748-080	0E	ZENER,UZ5.6BSA	LHSFD	CX-NSZ510
0 S	MICON	D	0301 87-A40-748-080	0E	ZENER,UZ5.6BSA	USM	CX-SNAJ310
0 S	MICON	D	0302 87-A40-291-080	0E	DIODE,1N4148M (CPT)	EZSFD	CX-NSZ315
0 S	MICON	D	0302 87-A40-291-080	0E	DIODE,1N4148M (CPT)	EZSFD	CX-NSZ310
0 S	MICON	D	0302 87-A40-291-080	0E	DIODE,1N4148M (CPT)	KSFD	CX-NSZ310
0 S	MICON	D	0302 87-A40-291-080	0E	DIODE,1N4148M (CPT)	LHSFD	CX-NSZ310
0 S	MICON	D	0302 87-A40-291-080	0E	DIODE,1N4148M (CPT)	LHSFD	CX-NSZ510
0 S	MICON	D	0302 87-A40-291-080	0E	DIODE,1N4148M (CPT)	USM	CX-SNAJ310
0 S	MICON	D	0601 87-A40-269-080	0E	C-DIODE,MC2836	EZSFD	CX-NSZ315
0 S	MICON	D	0601 87-A40-269-080	0E	C-DIODE,MC2836	EZSFD	CX-NSZ310
0 S	MICON	D	0601 87-A40-269-080	0E	C-DIODE,MC2836	KSFD	CX-NSZ310
0 S	MICON	D	0601 87-A40-269-080	0E	C-DIODE,MC2836	LHSFD	CX-NSZ310
0 S	MICON	D	0601 87-A40-269-080	0E	C-DIODE,MC2836	LHSFD	CX-NSZ510
0 S	MICON	D	0601 87-A40-269-080	0E	C-DIODE,MC2836	USM	CX-SNAJ310
0 S	MICON	D	0651 87-A40-269-080	0E	C-DIODE,MC2836	EZSFD	CX-NSZ315
0 S	MICON	D	0651 87-A40-269-080	0E	C-DIODE,MC2836	EZSFD	CX-NSZ310
0 S	MICON	D	0651 87-A40-269-080	0E	C-DIODE,MC2836	KSFD	CX-NSZ310
0 S	MICON	D	0651 87-A40-269-080	0E	C-DIODE,MC2836	LHSFD	CX-NSZ310
0 S	MICON	D	0651 87-A40-269-080	0E	C-DIODE,MC2836	LHSFD	CX-NSZ510
0 S	MICON	D	0651 87-A40-269-080	0E	C-DIODE,MC2836	USM	CX-SNAJ310
0 S	MICON	D	0652 87-A40-269-080	0E	C-DIODE,MC2836	EZSFD	CX-NSZ315
0 S	MICON	D	0652 87-A40-269-080	0E	C-DIODE,MC2836	EZSFD	CX-NSZ310
0 S	MICON	D	0652 87-A40-269-080	0E	C-DIODE,MC2836	KSFD	CX-NSZ310
0 S	MICON	D	0652 87-A40-269-080	0E	C-DIODE,MC2836	LHSFD	CX-NSZ310

# PARTS LIST

! =  $\Delta$  SAFTY PARTS  
 C = Components marked

All components used on this model at the production line are shown in this service manual.

However, please note that not all components will be available as spare parts for after-sales service.

Components marked S and O are designated as spare parts for service and will be stocked at the spare parts centers.

Components marked X and R are not designated as spare parts for after sales service, and will not be stocked at the spare parts centers.

K NO. = Only use japanese.

! C	UNIT NAME	REF NO.	PARTS CODE	K NO.	DESCRIPTION	SUFFIX	MODEL NAME
0 S	MICON	D 0652	87-A40-269-080	0E	C-DIODE,MC2836	LHSFD	CX-NSZ510
0 S	MICON	D 0652	87-A40-269-080	0E	C-DIODE,MC2836	USM	CX-SNAJ310
S	MICON	D 0653	87-A40-269-080	0E	C-DIODE,MC2836	EZSFD	CX-NSZ315
0 S	MICON	D 0653	87-A40-269-080	0E	C-DIODE,MC2836	EZSFD	CX-NSZ310
0 S	MICON	D 0653	87-A40-269-080	0E	C-DIODE,MC2836	KSFD	CX-NSZ310
0 S	MICON	D 0653	87-A40-269-080	0E	C-DIODE,MC2836	LHSFD	CX-NSZ310
0 S	MICON	D 0653	87-A40-269-080	0E	C-DIODE,MC2836	LHSFD	CX-NSZ510
0 S	MICON	D 0653	87-A40-269-080	0E	C-DIODE,MC2836	USM	CX-SNAJ310
S	MICON	D 0654	87-A40-269-080	0E	C-DIODE,MC2836	EZSFD	CX-NSZ315
0 S	MICON	D 0654	87-A40-269-080	0E	C-DIODE,MC2836	EZSFD	CX-NSZ310
0 S	MICON	D 0654	87-A40-269-080	0E	C-DIODE,MC2836	KSFD	CX-NSZ310
0 S	MICON	D 0654	87-A40-269-080	0E	C-DIODE,MC2836	LHSFD	CX-NSZ310
0 S	MICON	D 0654	87-A40-269-080	0E	C-DIODE,MC2836	USM	CX-SNAJ310
0 S	MICON	D 0655	87-A40-269-080	0E	C-DIODE,MC2836	EZSFD	CX-NSZ315
0 S	MICON	D 0655	87-A40-269-080	0E	C-DIODE,MC2836	EZSFD	CX-NSZ310
0 S	MICON	D 0655	87-A40-269-080	0E	C-DIODE,MC2836	KSFD	CX-NSZ310
0 S	MICON	D 0655	87-A40-269-080	0E	C-DIODE,MC2836	LHSFD	CX-NSZ310
0 S	MICON	D 0655	87-A40-269-080	0E	C-DIODE,MC2836	LHSFD	CX-NSZ510
0 S	MICON	D 0655	87-A40-269-080	0E	C-DIODE,MC2836	USM	CX-SNAJ310
S	MICON	D 0656	87-A40-269-080	0E	C-DIODE,MC2836	EZSFD	CX-NSZ315
0 S	MICON	D 0656	87-A40-269-080	0E	C-DIODE,MC2836	EZSFD	CX-NSZ310
0 S	MICON	D 0656	87-A40-269-080	0E	C-DIODE,MC2836	KSFD	CX-NSZ310
0 S	MICON	D 0656	87-A40-269-080	0E	C-DIODE,MC2836	LHSFD	CX-NSZ310
0 S	MICON	D 0656	87-A40-269-080	0E	C-DIODE,MC2836	LHSFD	CX-NSZ510
0 S	MICON	D 0656	87-A40-269-080	0E	C-DIODE,MC2836	USM	CX-SNAJ310
X	MICON	D 0701	88-100-000-010	0E	PLATING-JW, 0.58 SN95	EZSFD	CX-NSZ315
X	MICON	D 0702	88-100-000-010	0E	PLATING-JW, 0.58 SN95	EZSFD	CX-NSZ315
0 X	MICON	D 0702	88-100-000-010	0E	PLATING-JW, 0.58 SN95	EZSFD	CX-NSZ310
0 X	MICON	D 0702	88-100-000-010	0E	PLATING-JW, 0.58 SN95	KSFD	CX-NSZ310
0 X	MICON	D 0702	88-100-000-010	0E	PLATING-JW, 0.58 SN95	LHSFD	CX-NSZ310
0 X	MICON	D 0702	88-100-000-010	0E	PLATING-JW, 0.58 SN95	LHSFD	CX-NSZ510
0 X	MICON	D 0702	88-100-000-010	0E	PLATING-JW, 0.58 SN95	USM	CX-SNAJ310
0 X	MICON	D 0703	88-100-000-010	0E	PLATING-JW, 0.58 SN95	EZSFD	CX-NSZ315
0 X	MICON	D 0703	88-100-000-010	0E	PLATING-JW, 0.58 SN95	EZSFD	CX-NSZ310
0 X	MICON	D 0703	88-100-000-010	0E	PLATING-JW, 0.58 SN95	KSFD	CX-NSZ310
0 X	MICON	D 0703	88-100-000-010	0E	PLATING-JW, 0.58 SN95	LHSFD	CX-NSZ310
0 X	MICON	D 0703	88-100-000-010	0E	PLATING-JW, 0.58 SN95	LHSFD	CX-NSZ510
0 X	MICON	D 0703	88-100-000-010	0E	PLATING-JW, 0.58 SN95	USM	CX-SNAJ310
S	MICON	D 0801	87-A40-291-080	0E	DIODE,1N4148M (CPT)	EZSFD	CX-NSZ315
0 S	MICON	D 0801	87-A40-291-080	0E	DIODE,1N4148M (CPT)	EZSFD	CX-NSZ310
0 S	MICON	D 0801	87-A40-291-080	0E	DIODE,1N4148M (CPT)	KSFD	CX-NSZ310
0 S	MICON	D 0801	87-A40-291-080	0E	DIODE,1N4148M (CPT)	LHSFD	CX-NSZ310
0 S	MICON	D 0801	87-A40-291-080	0E	DIODE,1N4148M (CPT)	LHSFD	CX-NSZ510
0 S	MICON	D 0801	87-A40-291-080	0E	DIODE,1N4148M (CPT)	USM	CX-SNAJ310
0 S	MICON	D 0981	87-A40-291-080	0E	DIODE,1N4148M (CPT)	LHSFD	CX-NSZ310
0 S	MICON	D 0981	87-A40-291-080	0E	DIODE,1N4148M (CPT)	LHSFD	CX-NSZ510
0 S	MICON	D 0981	87-A40-291-080	0E	DIODE,1N4148M (CPT)	USM	CX-SNAJ310
0 S	MICON	D 0983	87-A40-291-080	0E	DIODE,1N4148M (CPT)	EZSFD	CX-NSZ315
0 S	MICON	D 0983	87-A40-291-080	0E	DIODE,1N4148M (CPT)	EZSFD	CX-NSZ310
0 S	MICON	D 0983	87-A40-291-080	0E	DIODE,1N4148M (CPT)	KSFD	CX-NSZ310
0 S	MICON	D 0986	87-A40-291-080	0E	DIODE,1N4148M (CPT)	EZSFD	CX-NSZ315
0 S	MICON	D 0989	87-A40-291-080	0E	DIODE,1N4148M (CPT)	LHSFD	CX-NSZ310
0 S	MICON	D 0989	87-A40-291-080	0E	DIODE,1N4148M (CPT)	LHSFD	CX-NSZ510
0 S	MICON	D 0990	87-A40-291-080	0E	DIODE,1N4148M (CPT)	LHSFD	CX-NSZ310
0 S	MICON	D 0990	87-A40-291-080	0E	DIODE,1N4148M (CPT)	LHSFD	CX-NSZ510
O	MICON	FL 0901	8B-NFY-605-010	2M	FL,HNA-08LS02	EZSFD	CX-NSZ315
O	MICON	FL 0901	8B-NFY-605-010	2M	FL,HNA-08LS02	EZSFD	CX-NSZ310
O	MICON	FL 0901	8B-NFY-605-010	2M	FL,HNA-08LS02	KSFD	CX-NSZ310
O	MICON	FL 0901	8B-NFY-605-010	2M	FL,HNA-08LS02	LHSFD	CX-NSZ310
0 O	MICON	FL 0901	8B-NFY-605-010	2M	FL,HNA-08LS02	LHSFD	CX-NSZ510
0 O	MICON	FL 0901	8B-NFY-605-010	2M	FL,HNA-08LS02	USM	CX-SNAJ310
0 S	MICON	IC 0901	8B-NF9-601-030	2A	C-IC,UPD780226GF-***	EZSFD	CX-NSZ310
0 S	MICON	IC 0901	8B-NF9-601-030	2A	C-IC,UPD780226GF-***	KSFD	CX-NSZ310
0 S	MICON	IC 0901	8B-NF9-601-030	2A	C-IC,UPD780226GF-***	LHSFD	CX-NSZ310
0 S	MICON	IC 0901	8B-NF9-601-030	2A	C-IC,UPD780226GF-***	LHSFD	CX-NSZ510
0 S	MICON	IC 0901	8B-NF9-601-030	2A	C-IC,UPD780226GF-***	USM	CX-SNAJ310
S	MICON	IC 0901	8B-NF9-602-030	2A	C-IC,UPD780228GF-078-3BA	EZSFD	CX-NSZ315
S	MICON	IC 0961	87-A21-218-110	1B	IC,NJL64H380A	EZSFD	CX-NSZ315
0 S	MICON	IC 0961	87-A21-218-110	1B	IC,NJL64H380A	EZSFD	CX-NSZ310

# PARTS LIST

! =  $\Delta$  SAFTY PARTS  
 C = Components marked

All components used on this model at the production line are shown in this service manual.

However, please note that not all components will be available as spare parts for after-sales service.

Components marked S and O are designated as spare parts for service and will be stocked at the spare parts centers.

Components marked X and R are not designated as spare parts for after sales service, and will not be stocked at the spare parts centers.

K NO. = Only use japanese.

! C	UNIT NAME	REF NO.	PARTS CODE	K NO.	DESCRIPTION	SUFFIX	MODEL NAME
0 S	MICON	IC 0961	87-A21-218-110	1B	IC,NJL64H380A	KSFD	CX-NSZ310
0 S	MICON	IC 0961	87-A21-218-110	1B	IC,NJL64H380A	LHSFD	CX-NSZ310
0 S	MICON	IC 0961	87-A21-218-110	1B	IC,NJL64H380A	LHSFD	CX-NSZ510
0 S	MICON	IC 0961	87-A21-218-110	1B	IC,NJL64H380A	USM	CX-SNAJ310
X	MICON	JR 0101	88-108-000-080	0E	C-JUMPER,U	EZSFD	CX-NSZ315
0 X	MICON	JR 0101	88-108-000-080	0E	C-JUMPER,U	EZSFD	CX-NSZ310
0 X	MICON	JR 0101	88-108-000-080	0E	C-JUMPER,U	KSFD	CX-NSZ310
0 X	MICON	JR 0101	88-108-000-080	0E	C-JUMPER,U	LHSFD	CX-NSZ310
0 X	MICON	JR 0101	88-108-000-080	0E	C-JUMPER,U	LHSFD	CX-NSZ510
0 X	MICON	JR 0101	88-108-000-080	0E	C-JUMPER,U	USM	CX-SNAJ310
X	MICON	JR 0150	88-108-000-080	0E	C-JUMPER,U	EZSFD	CX-NSZ315
0 X	MICON	JR 0150	88-108-000-080	0E	C-JUMPER,U	EZSFD	CX-NSZ310
0 X	MICON	JR 0150	88-108-000-080	0E	C-JUMPER,U	KSFD	CX-NSZ310
0 X	MICON	JR 0150	88-108-000-080	0E	C-JUMPER,U	LHSFD	CX-NSZ310
0 X	MICON	JR 0150	88-108-000-080	0E	C-JUMPER,U	LHSFD	CX-NSZ510
0 X	MICON	JR 0150	88-108-000-080	0E	C-JUMPER,U	USM	CX-SNAJ310
X	MICON	JR 0151	88-108-000-080	0E	C-JUMPER,U	EZSFD	CX-NSZ315
0 X	MICON	JR 0151	88-108-000-080	0E	C-JUMPER,U	EZSFD	CX-NSZ310
0 X	MICON	JR 0151	88-108-000-080	0E	C-JUMPER,U	KSFD	CX-NSZ310
0 X	MICON	JR 0151	88-108-000-080	0E	C-JUMPER,U	LHSFD	CX-NSZ310
0 X	MICON	JR 0151	88-108-000-080	0E	C-JUMPER,U	LHSFD	CX-NSZ510
0 X	MICON	JR 0151	88-108-000-080	0E	C-JUMPER,U	USM	CX-SNAJ310
X	MICON	JR 0152	88-108-000-080	0E	C-JUMPER,U	EZSFD	CX-NSZ315
0 X	MICON	JR 0152	88-108-000-080	0E	C-JUMPER,U	EZSFD	CX-NSZ310
0 X	MICON	JR 0152	88-108-000-080	0E	C-JUMPER,U	KSFD	CX-NSZ310
0 X	MICON	JR 0152	88-108-000-080	0E	C-JUMPER,U	LHSFD	CX-NSZ310
0 X	MICON	JR 0152	88-108-000-080	0E	C-JUMPER,U	LHSFD	CX-NSZ510
0 X	MICON	JR 0152	88-108-000-080	0E	C-JUMPER,U	USM	CX-SNAJ310
X	MICON	JR 0153	88-108-000-080	0E	C-JUMPER,U	EZSFD	CX-NSZ315
0 X	MICON	JR 0153	88-108-000-080	0E	C-JUMPER,U	EZSFD	CX-NSZ310
0 X	MICON	JR 0153	88-108-000-080	0E	C-JUMPER,U	KSFD	CX-NSZ310
0 X	MICON	JR 0153	88-108-000-080	0E	C-JUMPER,U	LHSFD	CX-NSZ510
0 X	MICON	JR 0153	88-108-000-080	0E	C-JUMPER,U	USM	CX-SNAJ310
X	MICON	JR 0154	88-108-000-080	0E	C-JUMPER,U	EZSFD	CX-NSZ315
0 X	MICON	JR 0154	88-108-000-080	0E	C-JUMPER,U	EZSFD	CX-NSZ310
0 X	MICON	JR 0154	88-108-000-080	0E	C-JUMPER,U	KSFD	CX-NSZ310
0 X	MICON	JR 0154	88-108-000-080	0E	C-JUMPER,U	LHSFD	CX-NSZ310
0 X	MICON	JR 0154	88-108-000-080	0E	C-JUMPER,U	LHSFD	CX-NSZ510
0 X	MICON	JR 0154	88-108-000-080	0E	C-JUMPER,U	USM	CX-SNAJ310
X	MICON	JR 0155	88-108-000-080	0E	C-JUMPER,U	EZSFD	CX-NSZ315
0 X	MICON	JR 0155	88-108-000-080	0E	C-JUMPER,U	EZSFD	CX-NSZ310
0 X	MICON	JR 0155	88-108-000-080	0E	C-JUMPER,U	KSFD	CX-NSZ310
0 X	MICON	JR 0155	88-108-000-080	0E	C-JUMPER,U	LHSFD	CX-NSZ310
0 X	MICON	JR 0155	88-108-000-080	0E	C-JUMPER,U	LHSFD	CX-NSZ510
0 X	MICON	JR 0155	88-108-000-080	0E	C-JUMPER,U	USM	CX-SNAJ310
X	MICON	JR 0156	88-108-000-080	0E	C-JUMPER,U	EZSFD	CX-NSZ315
0 X	MICON	JR 0156	88-108-000-080	0E	C-JUMPER,U	EZSFD	CX-NSZ310
0 X	MICON	JR 0156	88-108-000-080	0E	C-JUMPER,U	KSFD	CX-NSZ310
0 X	MICON	JR 0156	88-108-000-080	0E	C-JUMPER,U	LHSFD	CX-NSZ310
0 X	MICON	JR 0156	88-108-000-080	0E	C-JUMPER,U	LHSFD	CX-NSZ510
0 X	MICON	JR 0156	88-108-000-080	0E	C-JUMPER,U	USM	CX-SNAJ310
X	MICON	JR 0157	88-108-000-080	0E	C-JUMPER,U	EZSFD	CX-NSZ315
0 X	MICON	JR 0157	88-108-000-080	0E	C-JUMPER,U	EZSFD	CX-NSZ310
0 X	MICON	JR 0157	88-108-000-080	0E	C-JUMPER,U	KSFD	CX-NSZ310
0 X	MICON	JR 0157	88-108-000-080	0E	C-JUMPER,U	LHSFD	CX-NSZ310
0 X	MICON	JR 0157	88-108-000-080	0E	C-JUMPER,U	LHSFD	CX-NSZ510
0 X	MICON	JR 0157	88-108-000-080	0E	C-JUMPER,U	USM	CX-SNAJ310
X	MICON	JR 0158	88-108-000-080	0E	C-JUMPER,U	EZSFD	CX-NSZ315
0 X	MICON	JR 0158	88-108-000-080	0E	C-JUMPER,U	EZSFD	CX-NSZ310
0 X	MICON	JR 0158	88-108-000-080	0E	C-JUMPER,U	KSFD	CX-NSZ310
0 X	MICON	JR 0158	88-108-000-080	0E	C-JUMPER,U	LHSFD	CX-NSZ510
0 X	MICON	JR 0158	88-108-000-080	0E	C-JUMPER,U	USM	CX-SNAJ310
X	MICON	JR 0159	88-108-000-080	0E	C-JUMPER,U	EZSFD	CX-NSZ315
0 X	MICON	JR 0159	88-108-000-080	0E	C-JUMPER,U	EZSFD	CX-NSZ310
0 X	MICON	JR 0159	88-108-000-080	0E	C-JUMPER,U	KSFD	CX-NSZ310
0 X	MICON	JR 0159	88-108-000-080	0E	C-JUMPER,U	LHSFD	CX-NSZ310
0 X	MICON	JR 0159	88-108-000-080	0E	C-JUMPER,U	LHSFD	CX-NSZ510
0 X	MICON	JR 0159	88-108-000-080	0E	C-JUMPER,U	USM	CX-SNAJ310

# PARTS LIST

! =  $\Delta$  SAFTY PARTS  
 C = Components marked

All components used on this model at the production line are shown in this service manual.

However, please note that not all components will be available as spare parts for after-sales service.

Components marked S and O are designated as spare parts for service and will be stocked at the spare parts centers.

Components marked X and R are not designated as spare parts for after sales service, and will not be stocked at the spare parts centers.

K NO. = Only use japanese.

! C	UNIT NAME	REF NO.	PARTS CODE	K NO.	DESCRIPTION	SUFFIX	MODEL NAME
0 X	MICON	JR 0160	88-108-000-080	0E	C-JUMPER, U	EZSFD	CX-NSZ315
0 X	MICON	JR 0160	88-108-000-080	0E	C-JUMPER, U	EZSFD	CX-NSZ310
0 X	MICON	JR 0160	88-108-000-080	0E	C-JUMPER, U	KSFD	CX-NSZ310
0 X	MICON	JR 0160	88-108-000-080	0E	C-JUMPER, U	LHSFD	CX-NSZ310
0 X	MICON	JR 0160	88-108-000-080	0E	C-JUMPER, U	LHSFD	CX-NSZ510
0 X	MICON	JR 0160	88-108-000-080	0E	C-JUMPER, U	USM	CX-SNAJ310
X	MICON	JR 0161	88-108-000-080	0E	C-JUMPER, U	EZSFD	CX-NSZ315
0 X	MICON	JR 0161	88-108-000-080	0E	C-JUMPER, U	EZSFD	CX-NSZ310
0 X	MICON	JR 0161	88-108-000-080	0E	C-JUMPER, U	KSFD	CX-NSZ310
0 X	MICON	JR 0161	88-108-000-080	0E	C-JUMPER, U	LHSFD	CX-NSZ310
0 X	MICON	JR 0161	88-108-000-080	0E	C-JUMPER, U	LHSFD	CX-NSZ510
0 X	MICON	JR 0161	88-108-000-080	0E	C-JUMPER, U	USM	CX-SNAJ310
X	MICON	JR 0162	88-108-000-080	0E	C-JUMPER, U	EZSFD	CX-NSZ315
0 X	MICON	JR 0162	88-108-000-080	0E	C-JUMPER, U	EZSFD	CX-NSZ310
0 X	MICON	JR 0162	88-108-000-080	0E	C-JUMPER, U	KSFD	CX-NSZ310
0 X	MICON	JR 0162	88-108-000-080	0E	C-JUMPER, U	LHSFD	CX-NSZ310
0 X	MICON	JR 0162	88-108-000-080	0E	C-JUMPER, U	LHSFD	CX-NSZ510
0 X	MICON	JR 0162	88-108-000-080	0E	C-JUMPER, U	USM	CX-SNAJ310
X	MICON	JR 0163	88-108-000-080	0E	C-JUMPER, U	EZSFD	CX-NSZ315
0 X	MICON	JR 0163	88-108-000-080	0E	C-JUMPER, U	EZSFD	CX-NSZ310
0 X	MICON	JR 0163	88-108-000-080	0E	C-JUMPER, U	KSFD	CX-NSZ310
0 X	MICON	JR 0163	88-108-000-080	0E	C-JUMPER, U	LHSFD	CX-NSZ310
0 X	MICON	JR 0163	88-108-000-080	0E	C-JUMPER, U	LHSFD	CX-NSZ510
0 X	MICON	JR 0163	88-108-000-080	0E	C-JUMPER, U	USM	CX-SNAJ310
X	MICON	JR 0164	88-108-000-080	0E	C-JUMPER, U	EZSFD	CX-NSZ315
0 X	MICON	JR 0164	88-108-000-080	0E	C-JUMPER, U	EZSFD	CX-NSZ310
0 X	MICON	JR 0164	88-108-000-080	0E	C-JUMPER, U	KSFD	CX-NSZ310
0 X	MICON	JR 0164	88-108-000-080	0E	C-JUMPER, U	LHSFD	CX-NSZ310
0 X	MICON	JR 0164	88-108-000-080	0E	C-JUMPER, U	LHSFD	CX-NSZ510
0 X	MICON	JR 0164	88-108-000-080	0E	C-JUMPER, U	USM	CX-SNAJ310
X	MICON	JR 0165	88-108-000-080	0E	C-JUMPER, U	EZSFD	CX-NSZ315
0 X	MICON	JR 0165	88-108-000-080	0E	C-JUMPER, U	EZSFD	CX-NSZ310
0 X	MICON	JR 0165	88-108-000-080	0E	C-JUMPER, U	KSFD	CX-NSZ310
0 X	MICON	JR 0165	88-108-000-080	0E	C-JUMPER, U	LHSFD	CX-NSZ310
0 X	MICON	JR 0165	88-108-000-080	0E	C-JUMPER, U	LHSFD	CX-NSZ510
0 X	MICON	JR 0165	88-108-000-080	0E	C-JUMPER, U	USM	CX-SNAJ310
X	MICON	JR 0166	88-108-000-080	0E	C-JUMPER, U	EZSFD	CX-NSZ315
0 X	MICON	JR 0166	88-108-000-080	0E	C-JUMPER, U	EZSFD	CX-NSZ310
0 X	MICON	JR 0166	88-108-000-080	0E	C-JUMPER, U	KSFD	CX-NSZ310
0 X	MICON	JR 0166	88-108-000-080	0E	C-JUMPER, U	LHSFD	CX-NSZ310
0 X	MICON	JR 0166	88-108-000-080	0E	C-JUMPER, U	LHSFD	CX-NSZ510
0 X	MICON	JR 0166	88-108-000-080	0E	C-JUMPER, U	USM	CX-SNAJ310
X	MICON	JR 0167	88-108-000-080	0E	C-JUMPER, U	EZSFD	CX-NSZ315
0 X	MICON	JR 0167	88-108-000-080	0E	C-JUMPER, U	EZSFD	CX-NSZ310
0 X	MICON	JR 0167	88-108-000-080	0E	C-JUMPER, U	KSFD	CX-NSZ310
0 X	MICON	JR 0167	88-108-000-080	0E	C-JUMPER, U	LHSFD	CX-NSZ310
0 X	MICON	JR 0167	88-108-000-080	0E	C-JUMPER, U	LHSFD	CX-NSZ510
0 X	MICON	JR 0167	88-108-000-080	0E	C-JUMPER, U	USM	CX-SNAJ310
X	MICON	JR 0168	88-108-000-080	0E	C-JUMPER, U	EZSFD	CX-NSZ315
0 X	MICON	JR 0168	88-108-000-080	0E	C-JUMPER, U	EZSFD	CX-NSZ310
0 X	MICON	JR 0168	88-108-000-080	0E	C-JUMPER, U	KSFD	CX-NSZ310
0 X	MICON	JR 0168	88-108-000-080	0E	C-JUMPER, U	LHSFD	CX-NSZ310
0 X	MICON	JR 0168	88-108-000-080	0E	C-JUMPER, U	LHSFD	CX-NSZ510
0 X	MICON	JR 0168	88-108-000-080	0E	C-JUMPER, U	USM	CX-SNAJ310
X	MICON	JR 0169	88-108-000-080	0E	C-JUMPER, U	EZSFD	CX-NSZ315
0 X	MICON	JR 0169	88-108-000-080	0E	C-JUMPER, U	EZSFD	CX-NSZ310
0 X	MICON	JR 0169	88-108-000-080	0E	C-JUMPER, U	KSFD	CX-NSZ310
0 X	MICON	JR 0169	88-108-000-080	0E	C-JUMPER, U	LHSFD	CX-NSZ310
0 X	MICON	JR 0169	88-108-000-080	0E	C-JUMPER, U	LHSFD	CX-NSZ510
0 X	MICON	JR 0169	88-108-000-080	0E	C-JUMPER, U	USM	CX-SNAJ310
X	MICON	JR 0170	88-108-000-080	0E	C-JUMPER, U	EZSFD	CX-NSZ315
0 X	MICON	JR 0170	88-108-000-080	0E	C-JUMPER, U	EZSFD	CX-NSZ310
0 X	MICON	JR 0170	88-108-000-080	0E	C-JUMPER, U	KSFD	CX-NSZ310
0 X	MICON	JR 0170	88-108-000-080	0E	C-JUMPER, U	LHSFD	CX-NSZ310
0 X	MICON	JR 0170	88-108-000-080	0E	C-JUMPER, U	LHSFD	CX-NSZ510
0 X	MICON	JR 0170	88-108-000-080	0E	C-JUMPER, U	USM	CX-SNAJ310
X	MICON	JR 0171	88-108-000-080	0E	C-JUMPER, U	EZSFD	CX-NSZ315
0 X	MICON	JR 0171	88-108-000-080	0E	C-JUMPER, U	EZSFD	CX-NSZ310
0 X	MICON	JR 0171	88-108-000-080	0E	C-JUMPER, U	KSFD	CX-NSZ310
0 X	MICON	JR 0171	88-108-000-080	0E	C-JUMPER, U	LHSFD	CX-NSZ310

# PARTS LIST

! =  $\Delta$  SAFTY PARTS  
 C = Components marked

All components used on this model at the production line are shown in this service manual.

However, please note that not all components will be available as spare parts for after-sales service.

Components marked S and O are designated as spare parts for service and will be stocked at the spare parts centers.

Components marked X and R are not designated as spare parts for after sales service, and will not be stocked at the spare parts centers.

K NO. = Only use japanese.

! C	UNIT NAME	REF NO.	PARTS CODE	K NO.	DESCRIPTION	SUFFIX	MODEL NAME
0 X	MICON	JR 0171	88-108-000-080	0E	C-JUMPER, U	LHSFD	CX-NSZ510
0 X	MICON	JR 0171	88-108-000-080	0E	C-JUMPER, U	USM	CX-SNAJ310
X	MICON	JR 0172	88-108-000-080	0E	C-JUMPER, U	EZSFD	CX-NSZ315
0 X	MICON	JR 0172	88-108-000-080	0E	C-JUMPER, U	EZSFD	CX-NSZ310
0 X	MICON	JR 0172	88-108-000-080	0E	C-JUMPER, U	KSFD	CX-NSZ310
0 X	MICON	JR 0172	88-108-000-080	0E	C-JUMPER, U	LHSFD	CX-NSZ310
0 X	MICON	JR 0172	88-108-000-080	0E	C-JUMPER, U	LHSFD	CX-NSZ510
0 X	MICON	JR 0172	88-108-000-080	0E	C-JUMPER, U	USM	CX-SNAJ310
X	MICON	JR 0173	88-108-000-080	0E	C-JUMPER, U	EZSFD	CX-NSZ315
0 X	MICON	JR 0173	88-108-000-080	0E	C-JUMPER, U	EZSFD	CX-NSZ310
0 X	MICON	JR 0173	88-108-000-080	0E	C-JUMPER, U	KSFD	CX-NSZ310
0 X	MICON	JR 0173	88-108-000-080	0E	C-JUMPER, U	LHSFD	CX-NSZ310
0 X	MICON	JR 0173	88-108-000-080	0E	C-JUMPER, U	LHSFD	CX-NSZ510
0 X	MICON	JR 0173	88-108-000-080	0E	C-JUMPER, U	USM	CX-SNAJ310
X	MICON	JR 0174	88-108-000-080	0E	C-JUMPER, U	EZSFD	CX-NSZ315
0 X	MICON	JR 0174	88-108-000-080	0E	C-JUMPER, U	EZSFD	CX-NSZ310
0 X	MICON	JR 0174	88-108-000-080	0E	C-JUMPER, U	KSFD	CX-NSZ310
0 X	MICON	JR 0174	88-108-000-080	0E	C-JUMPER, U	LHSFD	CX-NSZ310
0 X	MICON	JR 0174	88-108-000-080	0E	C-JUMPER, U	LHSFD	CX-NSZ510
0 X	MICON	JR 0174	88-108-000-080	0E	C-JUMPER, U	USM	CX-SNAJ310
X	MICON	JR 0175	88-108-000-080	0E	C-JUMPER, U	EZSFD	CX-NSZ315
0 X	MICON	JR 0175	88-108-000-080	0E	C-JUMPER, U	EZSFD	CX-NSZ310
0 X	MICON	JR 0175	88-108-000-080	0E	C-JUMPER, U	KSFD	CX-NSZ310
0 X	MICON	JR 0175	88-108-000-080	0E	C-JUMPER, U	LHSFD	CX-NSZ310
0 X	MICON	JR 0175	88-108-000-080	0E	C-JUMPER, U	LHSFD	CX-NSZ510
0 X	MICON	JR 0175	88-108-000-080	0E	C-JUMPER, U	USM	CX-SNAJ310
X	MICON	JR 0176	88-108-000-080	0E	C-JUMPER, U	EZSFD	CX-NSZ315
0 X	MICON	JR 0176	88-108-000-080	0E	C-JUMPER, U	EZSFD	CX-NSZ310
0 X	MICON	JR 0176	88-108-000-080	0E	C-JUMPER, U	KSFD	CX-NSZ310
0 X	MICON	JR 0176	88-108-000-080	0E	C-JUMPER, U	LHSFD	CX-NSZ310
0 X	MICON	JR 0176	88-108-000-080	0E	C-JUMPER, U	LHSFD	CX-NSZ510
0 X	MICON	JR 0176	88-108-000-080	0E	C-JUMPER, U	USM	CX-SNAJ310
X	MICON	JR 0177	88-108-000-080	0E	C-JUMPER, U	EZSFD	CX-NSZ315
0 X	MICON	JR 0177	88-108-000-080	0E	C-JUMPER, U	EZSFD	CX-NSZ310
0 X	MICON	JR 0177	88-108-000-080	0E	C-JUMPER, U	KSFD	CX-NSZ310
0 X	MICON	JR 0177	88-108-000-080	0E	C-JUMPER, U	LHSFD	CX-NSZ310
0 X	MICON	JR 0177	88-108-000-080	0E	C-JUMPER, U	LHSFD	CX-NSZ510
0 X	MICON	JR 0177	88-108-000-080	0E	C-JUMPER, U	USM	CX-SNAJ310
X	MICON	JR 0178	88-108-000-080	0E	C-JUMPER, U	EZSFD	CX-NSZ315
0 X	MICON	JR 0178	88-108-000-080	0E	C-JUMPER, U	EZSFD	CX-NSZ310
0 X	MICON	JR 0178	88-108-000-080	0E	C-JUMPER, U	KSFD	CX-NSZ310
0 X	MICON	JR 0178	88-108-000-080	0E	C-JUMPER, U	LHSFD	CX-NSZ310
0 X	MICON	JR 0178	88-108-000-080	0E	C-JUMPER, U	LHSFD	CX-NSZ510
0 X	MICON	JR 0178	88-108-000-080	0E	C-JUMPER, U	USM	CX-SNAJ310
X	MICON	JR 0179	88-108-000-080	0E	C-JUMPER, U	EZSFD	CX-NSZ315
0 X	MICON	JR 0179	88-108-000-080	0E	C-JUMPER, U	EZSFD	CX-NSZ310
0 X	MICON	JR 0179	88-108-000-080	0E	C-JUMPER, U	KSFD	CX-NSZ310
0 X	MICON	JR 0179	88-108-000-080	0E	C-JUMPER, U	LHSFD	CX-NSZ310
0 X	MICON	JR 0179	88-108-000-080	0E	C-JUMPER, U	LHSFD	CX-NSZ510
0 X	MICON	JR 0179	88-108-000-080	0E	C-JUMPER, U	USM	CX-SNAJ310
X	MICON	JR 0180	88-108-000-080	0E	C-JUMPER, U	EZSFD	CX-NSZ315
0 X	MICON	JR 0180	88-108-000-080	0E	C-JUMPER, U	EZSFD	CX-NSZ310
0 X	MICON	JR 0180	88-108-000-080	0E	C-JUMPER, U	KSFD	CX-NSZ310
0 X	MICON	JR 0180	88-108-000-080	0E	C-JUMPER, U	LHSFD	CX-NSZ310
0 X	MICON	JR 0180	88-108-000-080	0E	C-JUMPER, U	LHSFD	CX-NSZ510
0 X	MICON	JR 0180	88-108-000-080	0E	C-JUMPER, U	USM	CX-SNAJ310
X	MICON	JR 0181	88-108-000-080	0E	C-JUMPER, U	EZSFD	CX-NSZ315
0 X	MICON	JR 0181	88-108-000-080	0E	C-JUMPER, U	EZSFD	CX-NSZ310
0 X	MICON	JR 0181	88-108-000-080	0E	C-JUMPER, U	KSFD	CX-NSZ310
0 X	MICON	JR 0181	88-108-000-080	0E	C-JUMPER, U	LHSFD	CX-NSZ310
0 X	MICON	JR 0181	88-108-000-080	0E	C-JUMPER, U	LHSFD	CX-NSZ510
0 X	MICON	JR 0181	88-108-000-080	0E	C-JUMPER, U	USM	CX-SNAJ310
X	MICON	JR 0201	88-108-000-080	0E	C-JUMPER, U	EZSFD	CX-NSZ315
0 X	MICON	JR 0201	88-108-000-080	0E	C-JUMPER, U	EZSFD	CX-NSZ310
0 X	MICON	JR 0201	88-108-000-080	0E	C-JUMPER, U	KSFD	CX-NSZ310
0 X	MICON	JR 0201	88-108-000-080	0E	C-JUMPER, U	LHSFD	CX-NSZ310
0 X	MICON	JR 0201	88-108-000-080	0E	C-JUMPER, U	LHSFD	CX-NSZ510
0 X	MICON	JR 0201	88-108-000-080	0E	C-JUMPER, U	USM	CX-SNAJ310
X	MICON	JR 0301	88-108-000-080	0E	C-JUMPER, U	EZSFD	CX-NSZ315
0 X	MICON	JR 0301	88-108-000-080	0E	C-JUMPER, U	EZSFD	CX-NSZ310

# PARTS LIST

! =  $\Delta$  SAFTY PARTS  
 C = Components marked

All components used on this model at the production line are shown in this service manual.

However, please note that not all components will be available as spare parts for after-sales service.

Components marked S and O are designated as spare parts for service and will be stocked at the spare parts centers.

Components marked X and R are not designated as spare parts for after sales service, and will not be stocked at the spare parts centers.

K NO. = Only use japanese.

! C	UNIT NAME	REF NO.	PARTS CODE	K NO.	DESCRIPTION	SUFFIX	MODEL NAME
0 X	MICON	JR 0301	88-108-000-080	0E	C-JUMPER, U	KSFD	CX-NSZ310
0 X	MICON	JR 0301	88-108-000-080	0E	C-JUMPER, U	LHSFD	CX-NSZ310
0 X	MICON	JR 0301	88-108-000-080	0E	C-JUMPER, U	LHSFD	CX-NSZ510
0 X	MICON	JR 0301	88-108-000-080	0E	C-JUMPER, U	USM	CX-SNAJ310
X	MICON	JR 0361	88-108-000-080	0E	C-JUMPER, U	EZSFD	CX-NSZ315
0 X	MICON	JR 0361	88-108-000-080	0E	C-JUMPER, U	EZSFD	CX-NSZ310
0 X	MICON	JR 0361	88-108-000-080	0E	C-JUMPER, U	KSFD	CX-NSZ310
0 X	MICON	JR 0361	88-108-000-080	0E	C-JUMPER, U	LHSFD	CX-NSZ310
0 X	MICON	JR 0361	88-108-000-080	0E	C-JUMPER, U	LHSFD	CX-NSZ510
0 X	MICON	JR 0361	88-108-000-080	0E	C-JUMPER, U	USM	CX-SNAJ310
X	MICON	JR 0601	88-108-000-080	0E	C-JUMPER, U	EZSFD	CX-NSZ315
0 X	MICON	JR 0601	88-108-000-080	0E	C-JUMPER, U	EZSFD	CX-NSZ310
0 X	MICON	JR 0601	88-108-000-080	0E	C-JUMPER, U	KSFD	CX-NSZ310
0 X	MICON	JR 0601	88-108-000-080	0E	C-JUMPER, U	LHSFD	CX-NSZ310
0 X	MICON	JR 0601	88-108-000-080	0E	C-JUMPER, U	LHSFD	CX-NSZ510
0 X	MICON	JR 0601	88-108-000-080	0E	C-JUMPER, U	USM	CX-SNAJ310
X	MICON	JR 0603	88-108-000-080	0E	C-JUMPER, U	EZSFD	CX-NSZ315
0 X	MICON	JR 0603	88-108-000-080	0E	C-JUMPER, U	EZSFD	CX-NSZ310
0 X	MICON	JR 0603	88-108-000-080	0E	C-JUMPER, U	KSFD	CX-NSZ310
0 X	MICON	JR 0603	88-108-000-080	0E	C-JUMPER, U	LHSFD	CX-NSZ310
0 X	MICON	JR 0603	88-108-000-080	0E	C-JUMPER, U	LHSFD	CX-NSZ510
0 X	MICON	JR 0603	88-108-000-080	0E	C-JUMPER, U	USM	CX-SNAJ310
X	MICON	JR 0605	88-108-000-080	0E	C-JUMPER, U	EZSFD	CX-NSZ315
0 X	MICON	JR 0605	88-108-000-080	0E	C-JUMPER, U	EZSFD	CX-NSZ310
0 X	MICON	JR 0605	88-108-000-080	0E	C-JUMPER, U	KSFD	CX-NSZ310
0 X	MICON	JR 0605	88-108-000-080	0E	C-JUMPER, U	LHSFD	CX-NSZ310
0 X	MICON	JR 0605	88-108-000-080	0E	C-JUMPER, U	LHSFD	CX-NSZ510
0 X	MICON	JR 0605	88-108-000-080	0E	C-JUMPER, U	USM	CX-SNAJ310
X	MICON	JR 0607	88-108-000-080	0E	C-JUMPER, U	EZSFD	CX-NSZ315
0 X	MICON	JR 0607	88-108-000-080	0E	C-JUMPER, U	EZSFD	CX-NSZ310
0 X	MICON	JR 0607	88-108-000-080	0E	C-JUMPER, U	KSFD	CX-NSZ310
0 X	MICON	JR 0607	88-108-000-080	0E	C-JUMPER, U	LHSFD	CX-NSZ310
0 X	MICON	JR 0607	88-108-000-080	0E	C-JUMPER, U	LHSFD	CX-NSZ510
0 X	MICON	JR 0607	88-108-000-080	0E	C-JUMPER, U	USM	CX-SNAJ310
X	MICON	JR 0609	88-108-000-080	0E	C-JUMPER, U	EZSFD	CX-NSZ315
0 X	MICON	JR 0609	88-108-000-080	0E	C-JUMPER, U	EZSFD	CX-NSZ310
0 X	MICON	JR 0609	88-108-000-080	0E	C-JUMPER, U	KSFD	CX-NSZ310
0 X	MICON	JR 0609	88-108-000-080	0E	C-JUMPER, U	LHSFD	CX-NSZ310
0 X	MICON	JR 0609	88-108-000-080	0E	C-JUMPER, U	LHSFD	CX-NSZ510
0 X	MICON	JR 0609	88-108-000-080	0E	C-JUMPER, U	USM	CX-SNAJ310
X	MICON	JR 0612	88-108-000-080	0E	C-JUMPER, U	EZSFD	CX-NSZ315
0 X	MICON	JR 0612	88-108-000-080	0E	C-JUMPER, U	EZSFD	CX-NSZ310
0 X	MICON	JR 0612	88-108-000-080	0E	C-JUMPER, U	KSFD	CX-NSZ310
0 X	MICON	JR 0612	88-108-000-080	0E	C-JUMPER, U	LHSFD	CX-NSZ310
0 X	MICON	JR 0612	88-108-000-080	0E	C-JUMPER, U	LHSFD	CX-NSZ510
0 X	MICON	JR 0612	88-108-000-080	0E	C-JUMPER, U	USM	CX-SNAJ310
X	MICON	JR 0616	88-108-000-080	0E	C-JUMPER, U	EZSFD	CX-NSZ315
0 X	MICON	JR 0616	88-108-000-080	0E	C-JUMPER, U	EZSFD	CX-NSZ310
0 X	MICON	JR 0616	88-108-000-080	0E	C-JUMPER, U	KSFD	CX-NSZ310
0 X	MICON	JR 0616	88-108-000-080	0E	C-JUMPER, U	LHSFD	CX-NSZ310
0 X	MICON	JR 0616	88-108-000-080	0E	C-JUMPER, U	LHSFD	CX-NSZ510
0 X	MICON	JR 0616	88-108-000-080	0E	C-JUMPER, U	USM	CX-SNAJ310
X	MICON	JR 0617	88-108-000-080	0E	C-JUMPER, U	EZSFD	CX-NSZ315
0 X	MICON	JR 0617	88-108-000-080	0E	C-JUMPER, U	EZSFD	CX-NSZ310
0 X	MICON	JR 0617	88-108-000-080	0E	C-JUMPER, U	KSFD	CX-NSZ310
0 X	MICON	JR 0617	88-108-000-080	0E	C-JUMPER, U	LHSFD	CX-NSZ310
0 X	MICON	JR 0617	88-108-000-080	0E	C-JUMPER, U	LHSFD	CX-NSZ510
0 X	MICON	JR 0617	88-108-000-080	0E	C-JUMPER, U	USM	CX-SNAJ310
X	MICON	JR 0618	88-108-000-080	0E	C-JUMPER, U	EZSFD	CX-NSZ315
0 X	MICON	JR 0618	88-108-000-080	0E	C-JUMPER, U	EZSFD	CX-NSZ310
0 X	MICON	JR 0618	88-108-000-080	0E	C-JUMPER, U	KSFD	CX-NSZ310
0 X	MICON	JR 0618	88-108-000-080	0E	C-JUMPER, U	LHSFD	CX-NSZ310
0 X	MICON	JR 0618	88-108-000-080	0E	C-JUMPER, U	LHSFD	CX-NSZ510
0 X	MICON	JR 0618	88-108-000-080	0E	C-JUMPER, U	USM	CX-SNAJ310
X	MICON	JR 0619	88-108-000-080	0E	C-JUMPER, U	EZSFD	CX-NSZ315
0 X	MICON	JR 0619	88-108-000-080	0E	C-JUMPER, U	EZSFD	CX-NSZ310
0 X	MICON	JR 0619	88-108-000-080	0E	C-JUMPER, U	KSFD	CX-NSZ310
0 X	MICON	JR 0619	88-108-000-080	0E	C-JUMPER, U	LHSFD	CX-NSZ310
0 X	MICON	JR 0619	88-108-000-080	0E	C-JUMPER, U	LHSFD	CX-NSZ510
0 X	MICON	JR 0619	88-108-000-080	0E	C-JUMPER, U	USM	CX-SNAJ310

# PARTS LIST

! =  $\Delta$  SAFTY PARTS  
 C = Components marked

All components used on this model at the production line are shown in this service manual.

However, please note that not all components will be available as spare parts for after-sales service.

Components marked S and O are designated as spare parts for service and will be stocked at the spare parts centers.

Components marked X and R are not designated as spare parts for after sales service, and will not be stocked at the spare parts centers.

K NO. = Only use japanese.

! C	UNIT NAME	REF NO.	PARTS CODE	K NO.	DESCRIPTION	SUFFIX	MODEL NAME
0 X	MICON	JR 0651	88-108-000-080	0E	C-JUMPER, U	EZSFD	CX-NSZ315
0 X	MICON	JR 0651	88-108-000-080	0E	C-JUMPER, U	EZSFD	CX-NSZ310
0 X	MICON	JR 0651	88-108-000-080	0E	C-JUMPER, U	KSFD	CX-NSZ310
0 X	MICON	JR 0651	88-108-000-080	0E	C-JUMPER, U	LHSFD	CX-NSZ310
0 X	MICON	JR 0651	88-108-000-080	0E	C-JUMPER, U	LHSFD	CX-NSZ510
0 X	MICON	JR 0651	88-108-000-080	0E	C-JUMPER, U	USM	CX-SNAJ310
X	MICON	JR 0652	88-108-000-080	0E	C-JUMPER, U	EZSFD	CX-NSZ315
0 X	MICON	JR 0652	88-108-000-080	0E	C-JUMPER, U	EZSFD	CX-NSZ310
0 X	MICON	JR 0652	88-108-000-080	0E	C-JUMPER, U	KSFD	CX-NSZ310
0 X	MICON	JR 0652	88-108-000-080	0E	C-JUMPER, U	LHSFD	CX-NSZ310
0 X	MICON	JR 0652	88-108-000-080	0E	C-JUMPER, U	LHSFD	CX-NSZ510
0 X	MICON	JR 0652	88-108-000-080	0E	C-JUMPER, U	USM	CX-SNAJ310
X	MICON	JR 0703	88-108-000-080	0E	C-JUMPER, U	EZSFD	CX-NSZ315
0 X	MICON	JR 0703	88-108-000-080	0E	C-JUMPER, U	EZSFD	CX-NSZ310
0 X	MICON	JR 0703	88-108-000-080	0E	C-JUMPER, U	KSFD	CX-NSZ310
0 X	MICON	JR 0703	88-108-000-080	0E	C-JUMPER, U	LHSFD	CX-NSZ310
0 X	MICON	JR 0703	88-108-000-080	0E	C-JUMPER, U	LHSFD	CX-NSZ510
0 X	MICON	JR 0703	88-108-000-080	0E	C-JUMPER, U	USM	CX-SNAJ310
X	MICON	JR 0704	88-108-000-080	0E	C-JUMPER, U	EZSFD	CX-NSZ315
0 X	MICON	JR 0704	88-108-000-080	0E	C-JUMPER, U	EZSFD	CX-NSZ310
0 X	MICON	JR 0704	88-108-000-080	0E	C-JUMPER, U	KSFD	CX-NSZ310
0 X	MICON	JR 0704	88-108-000-080	0E	C-JUMPER, U	LHSFD	CX-NSZ510
0 X	MICON	JR 0704	88-108-000-080	0E	C-JUMPER, U	USM	CX-SNAJ310
X	MICON	JR 0705	88-108-000-080	0E	C-JUMPER, U	EZSFD	CX-NSZ315
0 X	MICON	JR 0705	88-108-000-080	0E	C-JUMPER, U	EZSFD	CX-NSZ310
0 X	MICON	JR 0705	88-108-000-080	0E	C-JUMPER, U	KSFD	CX-NSZ310
0 X	MICON	JR 0705	88-108-000-080	0E	C-JUMPER, U	LHSFD	CX-NSZ310
0 X	MICON	JR 0705	88-108-000-080	0E	C-JUMPER, U	LHSFD	CX-NSZ510
0 X	MICON	JR 0705	88-108-000-080	0E	C-JUMPER, U	USM	CX-SNAJ310
X	MICON	JR 0706	88-108-000-080	0E	C-JUMPER, U	EZSFD	CX-NSZ315
0 X	MICON	JR 0706	88-108-000-080	0E	C-JUMPER, U	EZSFD	CX-NSZ310
0 X	MICON	JR 0706	88-108-000-080	0E	C-JUMPER, U	KSFD	CX-NSZ310
0 X	MICON	JR 0706	88-108-000-080	0E	C-JUMPER, U	LHSFD	CX-NSZ310
0 X	MICON	JR 0706	88-108-000-080	0E	C-JUMPER, U	LHSFD	CX-NSZ510
0 X	MICON	JR 0706	88-108-000-080	0E	C-JUMPER, U	USM	CX-SNAJ310
X	MICON	JR 0901	88-108-000-080	0E	C-JUMPER, U	EZSFD	CX-NSZ315
0 X	MICON	JR 0901	88-108-000-080	0E	C-JUMPER, U	EZSFD	CX-NSZ310
0 X	MICON	JR 0901	88-108-000-080	0E	C-JUMPER, U	KSFD	CX-NSZ310
0 X	MICON	JR 0901	88-108-000-080	0E	C-JUMPER, U	LHSFD	CX-NSZ310
0 X	MICON	JR 0901	88-108-000-080	0E	C-JUMPER, U	LHSFD	CX-NSZ510
0 X	MICON	JR 0901	88-108-000-080	0E	C-JUMPER, U	USM	CX-SNAJ310
X	MICON	JR 0902	88-108-000-080	0E	C-JUMPER, U	EZSFD	CX-NSZ315
0 X	MICON	JR 0902	88-108-000-080	0E	C-JUMPER, U	EZSFD	CX-NSZ310
0 X	MICON	JR 0902	88-108-000-080	0E	C-JUMPER, U	KSFD	CX-NSZ310
0 X	MICON	JR 0902	88-108-000-080	0E	C-JUMPER, U	LHSFD	CX-NSZ310
0 X	MICON	JR 0902	88-108-000-080	0E	C-JUMPER, U	LHSFD	CX-NSZ510
0 X	MICON	JR 0902	88-108-000-080	0E	C-JUMPER, U	USM	CX-SNAJ310
X	MICON	JR 0903	88-108-000-080	0E	C-JUMPER, U	EZSFD	CX-NSZ315
0 X	MICON	JR 0903	88-108-000-080	0E	C-JUMPER, U	EZSFD	CX-NSZ310
0 X	MICON	JR 0903	88-108-000-080	0E	C-JUMPER, U	KSFD	CX-NSZ310
0 X	MICON	JR 0903	88-108-000-080	0E	C-JUMPER, U	LHSFD	CX-NSZ510
0 X	MICON	JR 0903	88-108-000-080	0E	C-JUMPER, U	USM	CX-SNAJ310
X	MICON	JR 0904	88-108-000-080	0E	C-JUMPER, U	EZSFD	CX-NSZ315
0 X	MICON	JR 0904	88-108-000-080	0E	C-JUMPER, U	EZSFD	CX-NSZ310
0 X	MICON	JR 0904	88-108-000-080	0E	C-JUMPER, U	KSFD	CX-NSZ310
0 X	MICON	JR 0904	88-108-000-080	0E	C-JUMPER, U	LHSFD	CX-NSZ310
0 X	MICON	JR 0904	88-108-000-080	0E	C-JUMPER, U	LHSFD	CX-NSZ510
0 X	MICON	JR 0904	88-108-000-080	0E	C-JUMPER, U	USM	CX-SNAJ310
X	MICON	JR 0905	88-108-000-080	0E	C-JUMPER, U	EZSFD	CX-NSZ315
0 X	MICON	JR 0905	88-108-000-080	0E	C-JUMPER, U	EZSFD	CX-NSZ310
0 X	MICON	JR 0905	88-108-000-080	0E	C-JUMPER, U	KSFD	CX-NSZ310
0 X	MICON	JR 0905	88-108-000-080	0E	C-JUMPER, U	LHSFD	CX-NSZ310
0 X	MICON	JR 0905	88-108-000-080	0E	C-JUMPER, U	LHSFD	CX-NSZ510
0 X	MICON	JR 0905	88-108-000-080	0E	C-JUMPER, U	USM	CX-SNAJ310
X	MICON	JR 0964	88-108-000-080	0E	C-JUMPER, U	EZSFD	CX-NSZ315
0 X	MICON	JR 0964	88-108-000-080	0E	C-JUMPER, U	EZSFD	CX-NSZ310
0 X	MICON	JR 0964	88-108-000-080	0E	C-JUMPER, U	KSFD	CX-NSZ310
0 X	MICON	JR 0964	88-108-000-080	0E	C-JUMPER, U	LHSFD	CX-NSZ310

# PARTS LIST

! =  $\Delta$  SAFTY PARTS  
 C = Components marked

All components used on this model at the production line are shown in this service manual.

However, please note that not all components will be available as spare parts for after-sales service.

Components marked S and O are designated as spare parts for service and will be stocked at the spare parts centers.

Components marked X and R are not designated as spare parts for after sales service, and will not be stocked at the spare parts centers.

K NO. = Only use japanese.

! C	UNIT NAME	REF NO.	PARTS CODE	K NO.	DESCRIPTION	SUFFIX	MODEL NAME
0 X	MICON	JR 0964	88-108-000-080	0E	C-JUMPER, U	LHSFD	CX-NSZ510
0 X	MICON	JR 0964	88-108-000-080	0E	C-JUMPER, U	USM	CX-SNAJ310
0	MICON	L 0951	87-A50-655-010	0E	COIL, CLK 4.19MHZ (TOKO) 7KLY	EZSFD	CX-NSZ315
0 O	MICON	L 0951	87-A50-655-010	0E	COIL, CLK 4.19MHZ (TOKO) 7KLY	EZSFD	CX-NSZ310
0 O	MICON	L 0951	87-A50-655-010	0E	COIL, CLK 4.19MHZ (TOKO) 7KLY	KSFD	CX-NSZ310
0 O	MICON	L 0951	87-A50-655-010	0E	COIL, CLK 4.19MHZ (TOKO) 7KLY	LHSFD	CX-NSZ310
0 O	MICON	L 0951	87-A50-655-010	0E	COIL, CLK 4.19MHZ (TOKO) 7KLY	LHSFD	CX-NSZ510
0 O	MICON	L 0951	87-A50-655-010	0E	COIL, CLK 4.19MHZ (TOKO) 7KLY	USM	CX-SNAJ310
0 O	MICON	LED0209	87-A41-062-040	0E	LED, LTL-1CHEE-012A RED	EZSFD	CX-NSZ315
0 O	MICON	LED0209	87-A41-062-040	0E	LED, LTL-1CHEE-012A RED	EZSFD	CX-NSZ310
0 O	MICON	LED0209	87-A41-062-040	0E	LED, LTL-1CHEE-012A RED	KSFD	CX-NSZ310
0 O	MICON	LED0209	87-A41-062-040	0E	LED, LTL-1CHEE-012A RED	LHSFD	CX-NSZ310
0 O	MICON	LED0209	87-A41-062-040	0E	LED, LTL-1CHEE-012A RED	LHSFD	CX-NSZ510
0 O	MICON	LED0209	87-A41-062-040	0E	LED, LTL-1CHEE-012A RED	USM	CX-SNAJ310
0 S	MICON	Q 0102	87-A30-076-080	0E	C-TR, 2SC3052F	EZSFD	CX-NSZ315
0 S	MICON	Q 0102	87-A30-076-080	0E	C-TR, 2SC3052F	EZSFD	CX-NSZ310
0 S	MICON	Q 0102	87-A30-076-080	0E	C-TR, 2SC3052F	KSFD	CX-NSZ310
0 S	MICON	Q 0102	87-A30-076-080	0E	C-TR, 2SC3052F	LHSFD	CX-NSZ310
0 S	MICON	Q 0102	87-A30-076-080	0E	C-TR, 2SC3052F	LHSFD	CX-NSZ510
0 S	MICON	Q 0102	87-A30-076-080	0E	C-TR, 2SC3052F	USM	CX-SNAJ310
0 S	MICON	Q 0103	87-A30-484-080	0E	C-TR, KRA102S	EZSFD	CX-NSZ315
0 S	MICON	Q 0103	87-A30-484-080	0E	C-TR, KRA102S	EZSFD	CX-NSZ310
0 S	MICON	Q 0103	87-A30-484-080	0E	C-TR, KRA102S	KSFD	CX-NSZ310
0 S	MICON	Q 0103	87-A30-484-080	0E	C-TR, KRA102S	LHSFD	CX-NSZ310
0 S	MICON	Q 0103	87-A30-484-080	0E	C-TR, KRA102S	LHSFD	CX-NSZ510
0 S	MICON	Q 0103	87-A30-484-080	0E	C-TR, KRA102S	USM	CX-SNAJ310
0 S	MICON	Q 0104	87-A30-484-080	0E	C-TR, KRA102S	EZSFD	CX-NSZ315
0 S	MICON	Q 0104	87-A30-484-080	0E	C-TR, KRA102S	EZSFD	CX-NSZ310
0 S	MICON	Q 0104	87-A30-484-080	0E	C-TR, KRA102S	KSFD	CX-NSZ310
0 S	MICON	Q 0104	87-A30-484-080	0E	C-TR, KRA102S	LHSFD	CX-NSZ310
0 S	MICON	Q 0104	87-A30-484-080	0E	C-TR, KRA102S	LHSFD	CX-NSZ510
0 S	MICON	Q 0104	87-A30-484-080	0E	C-TR, KRA102S	USM	CX-SNAJ310
0 S	MICON	Q 0105	87-A30-468-080	0E	C-TR, KRC102S-RTK	EZSFD	CX-NSZ315
0 S	MICON	Q 0105	87-A30-468-080	0E	C-TR, KRC102S-RTK	EZSFD	CX-NSZ310
0 S	MICON	Q 0105	87-A30-468-080	0E	C-TR, KRC102S-RTK	KSFD	CX-NSZ310
0 S	MICON	Q 0105	87-A30-468-080	0E	C-TR, KRC102S-RTK	LHSFD	CX-NSZ310
0 S	MICON	Q 0105	87-A30-468-080	0E	C-TR, KRC102S-RTK	LHSFD	CX-NSZ510
0 S	MICON	Q 0105	87-A30-468-080	0E	C-TR, KRC102S-RTK	USM	CX-SNAJ310
0 S	MICON	Q 0301	87-A30-494-080	0E	TR, 2SA1980G	EZSFD	CX-NSZ315
0 S	MICON	Q 0301	87-A30-494-080	0E	TR, 2SA1980G	EZSFD	CX-NSZ310
0 S	MICON	Q 0301	87-A30-494-080	0E	TR, 2SA1980G	KSFD	CX-NSZ310
0 S	MICON	Q 0301	87-A30-494-080	0E	TR, 2SA1980G	LHSFD	CX-NSZ310
0 S	MICON	Q 0301	87-A30-494-080	0E	TR, 2SA1980G	LHSFD	CX-NSZ510
0 S	MICON	Q 0301	87-A30-494-080	0E	TR, 2SA1980G	USM	CX-SNAJ310
0 S	MICON	Q 0302	87-A30-076-080	0E	C-TR, 2SC3052F	EZSFD	CX-NSZ315
0 S	MICON	Q 0302	87-A30-076-080	0E	C-TR, 2SC3052F	EZSFD	CX-NSZ310
0 S	MICON	Q 0302	87-A30-076-080	0E	C-TR, 2SC3052F	KSFD	CX-NSZ310
0 S	MICON	Q 0302	87-A30-076-080	0E	C-TR, 2SC3052F	LHSFD	CX-NSZ310
0 S	MICON	Q 0302	87-A30-076-080	0E	C-TR, 2SC3052F	LHSFD	CX-NSZ510
0 S	MICON	Q 0302	87-A30-076-080	0E	C-TR, 2SC3052F	USM	CX-SNAJ310
0 S	MICON	Q 0303	87-A30-076-080	0E	C-TR, 2SC3052F	EZSFD	CX-NSZ315
0 S	MICON	Q 0303	87-A30-076-080	0E	C-TR, 2SC3052F	EZSFD	CX-NSZ310
0 S	MICON	Q 0303	87-A30-076-080	0E	C-TR, 2SC3052F	KSFD	CX-NSZ310
0 S	MICON	Q 0303	87-A30-076-080	0E	C-TR, 2SC3052F	LHSFD	CX-NSZ310
0 S	MICON	Q 0303	87-A30-076-080	0E	C-TR, 2SC3052F	LHSFD	CX-NSZ510
0 S	MICON	Q 0303	87-A30-076-080	0E	C-TR, 2SC3052F	USM	CX-SNAJ310
0 S	MICON	Q 0601	87-A30-495-080	0E	TR, 2SA1981Y	EZSFD	CX-NSZ315
0 S	MICON	Q 0601	87-A30-495-080	0E	TR, 2SA1981Y	EZSFD	CX-NSZ310
0 S	MICON	Q 0601	87-A30-495-080	0E	TR, 2SA1981Y	KSFD	CX-NSZ310
0 S	MICON	Q 0601	87-A30-495-080	0E	TR, 2SA1981Y	LHSFD	CX-NSZ310
0 S	MICON	Q 0601	87-A30-495-080	0E	TR, 2SA1981Y	LHSFD	CX-NSZ510
0 S	MICON	Q 0601	87-A30-495-080	0E	TR, 2SA1981Y	USM	CX-SNAJ310
0 S	MICON	Q 0602	87-A30-495-080	0E	TR, 2SA1981Y	EZSFD	CX-NSZ315
0 S	MICON	Q 0602	87-A30-495-080	0E	TR, 2SA1981Y	EZSFD	CX-NSZ310
0 S	MICON	Q 0602	87-A30-495-080	0E	TR, 2SA1981Y	KSFD	CX-NSZ310
0 S	MICON	Q 0602	87-A30-495-080	0E	TR, 2SA1981Y	LHSFD	CX-NSZ310
0 S	MICON	Q 0602	87-A30-495-080	0E	TR, 2SA1981Y	LHSFD	CX-NSZ510
0 S	MICON	Q 0602	87-A30-495-080	0E	TR, 2SA1981Y	USM	CX-SNAJ310
0 S	MICON	Q 0603	87-A30-582-080	0E	TR, CDA1585BC	EZSFD	CX-NSZ315
0 S	MICON	Q 0603	87-A30-582-080	0E	TR, CDA1585BC	EZSFD	CX-NSZ310



# PARTS LIST

! =  $\Delta$  SAFTY PARTS  
 C = Components marked

All components used on this model at the production line are shown in this service manual.

However, please note that not all components will be available as spare parts for after-sales service.

Components marked S and O are designated as spare parts for service and will be stocked at the spare parts centers.

Components marked X and R are not designated as spare parts for after sales service, and will not be stocked at the spare parts centers.

K NO. = Only use japanese.

! C	UNIT NAME	REF NO.	PARTS CODE	K NO.	DESCRIPTION	SUFFIX	MODEL NAME
0 S	MICON	Q	0603 87-A30-582-080	0E	TR, CDA1585BC	KSFD	CX-NSZ310
0 S	MICON	Q	0603 87-A30-582-080	0E	TR, CDA1585BC	LHSFD	CX-NSZ310
0 S	MICON	Q	0603 87-A30-582-080	0E	TR, CDA1585BC	LHSFD	CX-NSZ510
0 S	MICON	Q	0603 87-A30-582-080	0E	TR, CDA1585BC	USM	CX-SNAJ310
0 S	MICON	Q	0801 87-A30-076-080	0E	C-TR, 2SC3052F	EZSFD	CX-NSZ315
0 S	MICON	Q	0801 87-A30-076-080	0E	C-TR, 2SC3052F	EZSFD	CX-NSZ310
0 S	MICON	Q	0801 87-A30-076-080	0E	C-TR, 2SC3052F	KSFD	CX-NSZ310
0 S	MICON	Q	0801 87-A30-076-080	0E	C-TR, 2SC3052F	LHSFD	CX-NSZ310
0 S	MICON	Q	0801 87-A30-076-080	0E	C-TR, 2SC3052F	LHSFD	CX-NSZ510
0 S	MICON	Q	0801 87-A30-076-080	0E	C-TR, 2SC3052F	USM	CX-SNAJ310
0 S	MICON	Q	0802 87-A30-075-080	0E	C-TR, 2SA1235F	EZSFD	CX-NSZ315
0 S	MICON	Q	0802 87-A30-075-080	0E	C-TR, 2SA1235F	EZSFD	CX-NSZ310
0 S	MICON	Q	0802 87-A30-075-080	0E	C-TR, 2SA1235F	KSFD	CX-NSZ310
0 S	MICON	Q	0802 87-A30-075-080	0E	C-TR, 2SA1235F	LHSFD	CX-NSZ310
0 S	MICON	Q	0802 87-A30-075-080	0E	C-TR, 2SA1235F	LHSFD	CX-NSZ510
0 S	MICON	Q	0802 87-A30-075-080	0E	C-TR, 2SA1235F	USM	CX-SNAJ310
0 S	MICON	Q	0803 87-026-213-080	0E	C-TR, DTC114YK	EZSFD	CX-NSZ310
0 S	MICON	Q	0803 87-026-213-080	0E	C-TR, DTC114YK	KSFD	CX-NSZ310
0 S	MICON	Q	0803 87-026-213-080	0E	C-TR, DTC114YK	LHSFD	CX-NSZ310
0 S	MICON	Q	0803 87-026-213-080	0E	C-TR, DTC114YK	LHSFD	CX-NSZ510
0 S	MICON	Q	0803 87-026-213-080	0E	C-TR, DTC114YK	USM	CX-SNAJ310
0 S	MICON	Q	0803 87-A30-490-080	0E	C-TR, KRC107S	EZSFD	CX-NSZ315
0 S	MICON	Q	0804 87-026-213-080	0E	C-TR, DTC114YK	EZSFD	CX-NSZ310
0 S	MICON	Q	0804 87-026-213-080	0E	C-TR, DTC114YK	KSFD	CX-NSZ310
0 S	MICON	Q	0804 87-026-213-080	0E	C-TR, DTC114YK	LHSFD	CX-NSZ310
0 S	MICON	Q	0804 87-026-213-080	0E	C-TR, DTC114YK	LHSFD	CX-NSZ510
0 S	MICON	Q	0804 87-026-213-080	0E	C-TR, DTC114YK	USM	CX-SNAJ310
0 S	MICON	Q	0804 87-A30-490-080	0E	C-TR, KRC107S	EZSFD	CX-NSZ315
0 S	MICON	Q	0805 87-026-213-080	0E	C-TR, DTC114YK	EZSFD	CX-NSZ310
0 S	MICON	Q	0805 87-026-213-080	0E	C-TR, DTC114YK	KSFD	CX-NSZ310
0 S	MICON	Q	0805 87-026-213-080	0E	C-TR, DTC114YK	LHSFD	CX-NSZ310
0 S	MICON	Q	0805 87-026-213-080	0E	C-TR, DTC114YK	LHSFD	CX-NSZ510
0 S	MICON	Q	0805 87-026-213-080	0E	C-TR, DTC114YK	USM	CX-SNAJ310
0 S	MICON	Q	0805 87-A30-490-080	0E	C-TR, KRC107S	EZSFD	CX-NSZ315
0 S	MICON	Q	0901 87-A30-484-080	0E	C-TR, KRA102S	EZSFD	CX-NSZ315
0 S	MICON	Q	0901 87-A30-484-080	0E	C-TR, KRA102S	EZSFD	CX-NSZ310
0 S	MICON	Q	0901 87-A30-484-080	0E	C-TR, KRA102S	KSFD	CX-NSZ310
0 S	MICON	Q	0901 87-A30-484-080	0E	C-TR, KRA102S	LHSFD	CX-NSZ310
0 S	MICON	Q	0901 87-A30-484-080	0E	C-TR, KRA102S	LHSFD	CX-NSZ510
0 S	MICON	Q	0901 87-A30-484-080	0E	C-TR, KRA102S	USM	CX-SNAJ310
X	MICON	R	0109 88-108-224-080	0E	C-RES, U 220K-1/16W J	EZSFD	CX-NSZ315
0 X	MICON	R	0109 88-108-224-080	0E	C-RES, U 220K-1/16W J	EZSFD	CX-NSZ310
0 X	MICON	R	0109 88-108-224-080	0E	C-RES, U 220K-1/16W J	KSFD	CX-NSZ310
0 X	MICON	R	0109 88-108-224-080	0E	C-RES, U 220K-1/16W J	LHSFD	CX-NSZ310
0 X	MICON	R	0109 88-108-224-080	0E	C-RES, U 220K-1/16W J	LHSFD	CX-NSZ510
0 X	MICON	R	0109 88-108-224-080	0E	C-RES, U 220K-1/16W J	USM	CX-SNAJ310
X	MICON	R	0110 88-108-153-080	0E	C-RES, U 15K-1/16W J	EZSFD	CX-NSZ315
0 X	MICON	R	0110 88-108-153-080	0E	C-RES, U 15K-1/16W J	EZSFD	CX-NSZ310
0 X	MICON	R	0110 88-108-153-080	0E	C-RES, U 15K-1/16W J	KSFD	CX-NSZ310
0 X	MICON	R	0110 88-108-153-080	0E	C-RES, U 15K-1/16W J	LHSFD	CX-NSZ310
0 X	MICON	R	0110 88-108-153-080	0E	C-RES, U 15K-1/16W J	LHSFD	CX-NSZ510
0 X	MICON	R	0110 88-108-153-080	0E	C-RES, U 15K-1/16W J	USM	CX-SNAJ310
X	MICON	R	0111 88-108-333-080	0E	C-RES, U 33K-1/16W J	EZSFD	CX-NSZ315
0 X	MICON	R	0111 88-108-333-080	0E	C-RES, U 33K-1/16W J	EZSFD	CX-NSZ310
0 X	MICON	R	0111 88-108-333-080	0E	C-RES, U 33K-1/16W J	KSFD	CX-NSZ310
0 X	MICON	R	0111 88-108-333-080	0E	C-RES, U 33K-1/16W J	LHSFD	CX-NSZ310
0 X	MICON	R	0111 88-108-333-080	0E	C-RES, U 33K-1/16W J	LHSFD	CX-NSZ510
0 X	MICON	R	0111 88-108-333-080	0E	C-RES, U 33K-1/16W J	USM	CX-SNAJ310
X	MICON	R	0112 88-121-224-080	0E	RES, 220K-1/8W J	EZSFD	CX-NSZ315
0 X	MICON	R	0112 88-121-224-080	0E	RES, 220K-1/8W J	EZSFD	CX-NSZ310
0 X	MICON	R	0112 88-121-224-080	0E	RES, 220K-1/8W J	KSFD	CX-NSZ310
0 X	MICON	R	0112 88-121-224-080	0E	RES, 220K-1/8W J	LHSFD	CX-NSZ510
0 X	MICON	R	0112 88-121-224-080	0E	RES, 220K-1/8W J	USM	CX-SNAJ310
X	MICON	R	0114 88-108-103-080	0E	C-RES, U 10K-1/16W J	EZSFD	CX-NSZ315
0 X	MICON	R	0114 88-108-103-080	0E	C-RES, U 10K-1/16W J	EZSFD	CX-NSZ310
0 X	MICON	R	0114 88-108-103-080	0E	C-RES, U 10K-1/16W J	KSFD	CX-NSZ310
0 X	MICON	R	0114 88-108-103-080	0E	C-RES, U 10K-1/16W J	LHSFD	CX-NSZ310
0 X	MICON	R	0114 88-108-103-080	0E	C-RES, U 10K-1/16W J	LHSFD	CX-NSZ510
0 X	MICON	R	0114 88-108-103-080	0E	C-RES, U 10K-1/16W J	USM	CX-SNAJ310

# PARTS LIST

! =  $\Delta$  SAFTY PARTS  
 C = Components marked

All components used on this model at the production line are shown in this service manual.

However, please note that not all components will be available as spare parts for after-sales service.

Components marked S and O are designated as spare parts for service and will be stocked at the spare parts centers.

Components marked X and R are not designated as spare parts for after sales service, and will not be stocked at the spare parts centers.

K NO. = Only use japanese.

! C	UNIT NAME	REF NO.	PARTS CODE	K NO.	DESCRIPTION	SUFFIX	MODEL NAME
0 X	MICON	R 0115	88-108-103-080	0E	C-RES,U 10K-1/16W J	EZSFD	CX-NSZ315
0 X	MICON	R 0115	88-108-103-080	0E	C-RES,U 10K-1/16W J	EZSFD	CX-NSZ310
0 X	MICON	R 0115	88-108-103-080	0E	C-RES,U 10K-1/16W J	KSFD	CX-NSZ310
0 X	MICON	R 0115	88-108-103-080	0E	C-RES,U 10K-1/16W J	LHSFD	CX-NSZ310
0 X	MICON	R 0115	88-108-103-080	0E	C-RES,U 10K-1/16W J	LHSFD	CX-NSZ510
0 X	MICON	R 0115	88-108-103-080	0E	C-RES,U 10K-1/16W J	USM	CX-SNAJ310
X	MICON	R 0116	88-108-104-080	0E	C-RES,U 100K-1/16W J	EZSFD	CX-NSZ315
0 X	MICON	R 0116	88-108-104-080	0E	C-RES,U 100K-1/16W J	EZSFD	CX-NSZ310
0 X	MICON	R 0116	88-108-104-080	0E	C-RES,U 100K-1/16W J	KSFD	CX-NSZ310
0 X	MICON	R 0116	88-108-104-080	0E	C-RES,U 100K-1/16W J	LHSFD	CX-NSZ310
0 X	MICON	R 0116	88-108-104-080	0E	C-RES,U 100K-1/16W J	LHSFD	CX-NSZ510
0 X	MICON	R 0116	88-108-104-080	0E	C-RES,U 100K-1/16W J	USM	CX-SNAJ310
X	MICON	R 0151	88-100-000-010	0E	PLATING-JW, 0.58 SN95	EZSFD	CX-NSZ315
0 X	MICON	R 0151	88-100-000-010	0E	PLATING-JW, 0.58 SN95	EZSFD	CX-NSZ310
0 X	MICON	R 0151	88-100-000-010	0E	PLATING-JW, 0.58 SN95	KSFD	CX-NSZ310
0 X	MICON	R 0151	88-100-000-010	0E	PLATING-JW, 0.58 SN95	LHSFD	CX-NSZ310
0 X	MICON	R 0151	88-100-000-010	0E	PLATING-JW, 0.58 SN95	LHSFD	CX-NSZ510
0 X	MICON	R 0151	88-100-000-010	0E	PLATING-JW, 0.58 SN95	USM	CX-SNAJ310
X	MICON	R 0152	88-100-000-010	0E	PLATING-JW, 0.58 SN95	EZSFD	CX-NSZ315
0 X	MICON	R 0152	88-100-000-010	0E	PLATING-JW, 0.58 SN95	EZSFD	CX-NSZ310
0 X	MICON	R 0152	88-100-000-010	0E	PLATING-JW, 0.58 SN95	LHSFD	CX-NSZ310
0 X	MICON	R 0152	88-100-000-010	0E	PLATING-JW, 0.58 SN95	LHSFD	CX-NSZ510
0 X	MICON	R 0152	88-100-000-010	0E	PLATING-JW, 0.58 SN95	USM	CX-SNAJ310
X	MICON	R 0153	88-121-821-080	0E	RES,820-1/8W J	EZSFD	CX-NSZ315
0 X	MICON	R 0153	88-121-821-080	0E	RES,820-1/8W J	EZSFD	CX-NSZ310
0 X	MICON	R 0153	88-121-821-080	0E	RES,820-1/8W J	KSFD	CX-NSZ310
0 X	MICON	R 0153	88-121-821-080	0E	RES,820-1/8W J	LHSFD	CX-NSZ310
0 X	MICON	R 0153	88-121-821-080	0E	RES,820-1/8W J	LHSFD	CX-NSZ510
0 X	MICON	R 0153	88-121-821-080	0E	RES,820-1/8W J	USM	CX-SNAJ310
X	MICON	R 0154	88-121-821-080	0E	RES,820-1/8W J	EZSFD	CX-NSZ315
0 X	MICON	R 0154	88-121-821-080	0E	RES,820-1/8W J	EZSFD	CX-NSZ310
0 X	MICON	R 0154	88-121-821-080	0E	RES,820-1/8W J	KSFD	CX-NSZ310
0 X	MICON	R 0154	88-121-821-080	0E	RES,820-1/8W J	LHSFD	CX-NSZ310
0 X	MICON	R 0154	88-121-821-080	0E	RES,820-1/8W J	LHSFD	CX-NSZ510
0 X	MICON	R 0154	88-121-821-080	0E	RES,820-1/8W J	USM	CX-SNAJ310
X	MICON	R 0155	88-121-332-080	0E	RES,3.3K-1/8W J	EZSFD	CX-NSZ315
0 X	MICON	R 0155	88-121-332-080	0E	RES,3.3K-1/8W J	EZSFD	CX-NSZ310
0 X	MICON	R 0155	88-121-332-080	0E	RES,3.3K-1/8W J	KSFD	CX-NSZ310
0 X	MICON	R 0155	88-121-332-080	0E	RES,3.3K-1/8W J	LHSFD	CX-NSZ310
0 X	MICON	R 0155	88-121-332-080	0E	RES,3.3K-1/8W J	LHSFD	CX-NSZ510
0 X	MICON	R 0155	88-121-332-080	0E	RES,3.3K-1/8W J	USM	CX-SNAJ310
X	MICON	R 0156	88-121-332-080	0E	RES,3.3K-1/8W J	EZSFD	CX-NSZ315
0 X	MICON	R 0156	88-121-332-080	0E	RES,3.3K-1/8W J	EZSFD	CX-NSZ310
0 X	MICON	R 0156	88-121-332-080	0E	RES,3.3K-1/8W J	KSFD	CX-NSZ310
0 X	MICON	R 0156	88-121-332-080	0E	RES,3.3K-1/8W J	LHSFD	CX-NSZ310
0 X	MICON	R 0156	88-121-332-080	0E	RES,3.3K-1/8W J	LHSFD	CX-NSZ510
0 X	MICON	R 0156	88-121-332-080	0E	RES,3.3K-1/8W J	USM	CX-SNAJ310
X	MICON	R 0208	88-121-332-080	0E	RES,3.3K-1/8W J	EZSFD	CX-NSZ315
0 X	MICON	R 0208	88-121-332-080	0E	RES,3.3K-1/8W J	EZSFD	CX-NSZ310
0 X	MICON	R 0208	88-121-332-080	0E	RES,3.3K-1/8W J	KSFD	CX-NSZ310
0 X	MICON	R 0208	88-121-332-080	0E	RES,3.3K-1/8W J	LHSFD	CX-NSZ310
0 X	MICON	R 0208	88-121-332-080	0E	RES,3.3K-1/8W J	LHSFD	CX-NSZ510
0 X	MICON	R 0208	88-121-332-080	0E	RES,3.3K-1/8W J	USM	CX-SNAJ310
X	MICON	R 0301	88-108-104-080	0E	C-RES,U 100K-1/16W J	EZSFD	CX-NSZ315
0 X	MICON	R 0301	88-108-104-080	0E	C-RES,U 100K-1/16W J	EZSFD	CX-NSZ310
0 X	MICON	R 0301	88-108-104-080	0E	C-RES,U 100K-1/16W J	KSFD	CX-NSZ310
0 X	MICON	R 0301	88-108-104-080	0E	C-RES,U 100K-1/16W J	LHSFD	CX-NSZ310
0 X	MICON	R 0301	88-108-104-080	0E	C-RES,U 100K-1/16W J	LHSFD	CX-NSZ510
0 X	MICON	R 0301	88-108-104-080	0E	C-RES,U 100K-1/16W J	USM	CX-SNAJ310
X	MICON	R 0302	88-108-472-080	0E	C-RES,U 4.7K-1/16W J	EZSFD	CX-NSZ315
0 X	MICON	R 0302	88-108-472-080	0E	C-RES,U 4.7K-1/16W J	EZSFD	CX-NSZ310
0 X	MICON	R 0302	88-108-472-080	0E	C-RES,U 4.7K-1/16W J	KSFD	CX-NSZ310
0 X	MICON	R 0302	88-108-472-080	0E	C-RES,U 4.7K-1/16W J	LHSFD	CX-NSZ310
0 X	MICON	R 0302	88-108-472-080	0E	C-RES,U 4.7K-1/16W J	LHSFD	CX-NSZ510
0 X	MICON	R 0302	88-108-472-080	0E	C-RES,U 4.7K-1/16W J	USM	CX-SNAJ310
X	MICON	R 0303	88-108-153-080	0E	C-RES,U 15K-1/16W J	EZSFD	CX-NSZ315
0 X	MICON	R 0303	88-108-153-080	0E	C-RES,U 15K-1/16W J	EZSFD	CX-NSZ310
0 X	MICON	R 0303	88-108-153-080	0E	C-RES,U 15K-1/16W J	KSFD	CX-NSZ310
0 X	MICON	R 0303	88-108-153-080	0E	C-RES,U 15K-1/16W J	LHSFD	CX-NSZ310

# PARTS LIST

! =  $\Delta$  SAFTY PARTS  
 C = Components marked

All components used on this model at the production line are shown in this service manual.

However, please note that not all components will be available as spare parts for after-sales service.

Components marked S and O are designated as spare parts for service and will be stocked at the spare parts centers.

Components marked X and R are not designated as spare parts for after sales service, and will not be stocked at the spare parts centers.

K NO. = Only use japanese.

! C	UNIT NAME	REF NO.	PARTS CODE	K NO.	DESCRIPTION	SUFFIX	MODEL NAME
0 X	MICON	R 0303	88-108-153-080	0E	C-RES,U 15K-1/16W J	LHSFD	CX-NSZ510
0 X	MICON	R 0303	88-108-153-080	0E	C-RES,U 15K-1/16W J	USM	CX-SNAJ310
X	MICON	R 0304	88-108-102-080	0E	C-RES,U 1K-1/16W J	EZSFD	CX-NSZ315
0 X	MICON	R 0304	88-108-102-080	0E	C-RES,U 1K-1/16W J	EZSFD	CX-NSZ310
0 X	MICON	R 0304	88-108-102-080	0E	C-RES,U 1K-1/16W J	KSFD	CX-NSZ310
0 X	MICON	R 0304	88-108-102-080	0E	C-RES,U 1K-1/16W J	LHSFD	CX-NSZ310
0 X	MICON	R 0304	88-108-102-080	0E	C-RES,U 1K-1/16W J	LHSFD	CX-NSZ510
0 X	MICON	R 0304	88-108-102-080	0E	C-RES,U 1K-1/16W J	USM	CX-SNAJ310
X	MICON	R 0306	88-108-471-080	0E	C-RES,U 470-1/16W J	EZSFD	CX-NSZ315
0 X	MICON	R 0306	88-108-471-080	0E	C-RES,U 470-1/16W J	EZSFD	CX-NSZ310
0 X	MICON	R 0306	88-108-471-080	0E	C-RES,U 470-1/16W J	KSFD	CX-NSZ310
0 X	MICON	R 0306	88-108-471-080	0E	C-RES,U 470-1/16W J	LHSFD	CX-NSZ310
0 X	MICON	R 0306	88-108-471-080	0E	C-RES,U 470-1/16W J	LHSFD	CX-NSZ510
0 X	MICON	R 0306	88-108-471-080	0E	C-RES,U 470-1/16W J	USM	CX-SNAJ310
X	MICON	R 0321	88-108-103-080	0E	C-RES,U 10K-1/16W J	EZSFD	CX-NSZ315
0 X	MICON	R 0321	88-108-103-080	0E	C-RES,U 10K-1/16W J	EZSFD	CX-NSZ310
0 X	MICON	R 0321	88-108-103-080	0E	C-RES,U 10K-1/16W J	KSFD	CX-NSZ310
0 X	MICON	R 0321	88-108-103-080	0E	C-RES,U 10K-1/16W J	LHSFD	CX-NSZ310
0 X	MICON	R 0321	88-108-103-080	0E	C-RES,U 10K-1/16W J	LHSFD	CX-NSZ510
0 X	MICON	R 0321	88-108-103-080	0E	C-RES,U 10K-1/16W J	USM	CX-SNAJ310
X	MICON	R 0322	88-108-102-080	0E	C-RES,U 1K-1/16W J	EZSFD	CX-NSZ315
0 X	MICON	R 0322	88-108-102-080	0E	C-RES,U 1K-1/16W J	EZSFD	CX-NSZ310
0 X	MICON	R 0322	88-108-102-080	0E	C-RES,U 1K-1/16W J	KSFD	CX-NSZ310
0 X	MICON	R 0322	88-108-102-080	0E	C-RES,U 1K-1/16W J	LHSFD	CX-NSZ310
0 X	MICON	R 0322	88-108-102-080	0E	C-RES,U 1K-1/16W J	LHSFD	CX-NSZ510
0 X	MICON	R 0322	88-108-102-080	0E	C-RES,U 1K-1/16W J	USM	CX-SNAJ310
X	MICON	R 0323	88-121-821-080	0E	RES,820-1/8W J	EZSFD	CX-NSZ315
0 X	MICON	R 0323	88-121-821-080	0E	RES,820-1/8W J	EZSFD	CX-NSZ310
0 X	MICON	R 0323	88-121-821-080	0E	RES,820-1/8W J	KSFD	CX-NSZ310
0 X	MICON	R 0323	88-121-821-080	0E	RES,820-1/8W J	LHSFD	CX-NSZ310
0 X	MICON	R 0323	88-121-821-080	0E	RES,820-1/8W J	LHSFD	CX-NSZ510
0 X	MICON	R 0323	88-121-821-080	0E	RES,820-1/8W J	USM	CX-SNAJ310
X	MICON	R 0324	88-108-122-080	0E	C-RES,U 1.2K-1/16W J	EZSFD	CX-NSZ315
0 X	MICON	R 0324	88-108-122-080	0E	C-RES,U 1.2K-1/16W J	EZSFD	CX-NSZ310
0 X	MICON	R 0324	88-108-122-080	0E	C-RES,U 1.2K-1/16W J	KSFD	CX-NSZ310
0 X	MICON	R 0324	88-108-122-080	0E	C-RES,U 1.2K-1/16W J	LHSFD	CX-NSZ310
0 X	MICON	R 0324	88-108-122-080	0E	C-RES,U 1.2K-1/16W J	LHSFD	CX-NSZ510
0 X	MICON	R 0324	88-108-122-080	0E	C-RES,U 1.2K-1/16W J	USM	CX-SNAJ310
X	MICON	R 0325	88-108-122-080	0E	C-RES,U 1.2K-1/16W J	EZSFD	CX-NSZ315
0 X	MICON	R 0325	88-108-122-080	0E	C-RES,U 1.2K-1/16W J	EZSFD	CX-NSZ310
0 X	MICON	R 0325	88-108-122-080	0E	C-RES,U 1.2K-1/16W J	KSFD	CX-NSZ310
0 X	MICON	R 0325	88-108-122-080	0E	C-RES,U 1.2K-1/16W J	LHSFD	CX-NSZ310
0 X	MICON	R 0325	88-108-122-080	0E	C-RES,U 1.2K-1/16W J	LHSFD	CX-NSZ510
0 X	MICON	R 0325	88-108-122-080	0E	C-RES,U 1.2K-1/16W J	USM	CX-SNAJ310
X	MICON	R 0326	88-108-122-080	0E	C-RES,U 1.2K-1/16W J	EZSFD	CX-NSZ315
0 X	MICON	R 0326	88-108-122-080	0E	C-RES,U 1.2K-1/16W J	EZSFD	CX-NSZ310
0 X	MICON	R 0326	88-108-122-080	0E	C-RES,U 1.2K-1/16W J	KSFD	CX-NSZ310
0 X	MICON	R 0326	88-108-122-080	0E	C-RES,U 1.2K-1/16W J	LHSFD	CX-NSZ310
0 X	MICON	R 0326	88-108-122-080	0E	C-RES,U 1.2K-1/16W J	LHSFD	CX-NSZ510
0 X	MICON	R 0326	88-108-122-080	0E	C-RES,U 1.2K-1/16W J	USM	CX-SNAJ310
X	MICON	R 0327	88-108-182-080	0E	C-RES,U 1.8K-1/16W J	EZSFD	CX-NSZ315
0 X	MICON	R 0327	88-108-182-080	0E	C-RES,U 1.8K-1/16W J	EZSFD	CX-NSZ310
0 X	MICON	R 0327	88-108-182-080	0E	C-RES,U 1.8K-1/16W J	KSFD	CX-NSZ310
0 X	MICON	R 0327	88-108-182-080	0E	C-RES,U 1.8K-1/16W J	LHSFD	CX-NSZ310
0 X	MICON	R 0327	88-108-182-080	0E	C-RES,U 1.8K-1/16W J	LHSFD	CX-NSZ510
X	MICON	R 0328	88-108-182-080	0E	C-RES,U 1.8K-1/16W J	USM	CX-SNAJ310
X	MICON	R 0328	88-108-182-080	0E	C-RES,U 1.8K-1/16W J	EZSFD	CX-NSZ315
0 X	MICON	R 0328	88-108-182-080	0E	C-RES,U 1.8K-1/16W J	EZSFD	CX-NSZ310
0 X	MICON	R 0328	88-108-182-080	0E	C-RES,U 1.8K-1/16W J	KSFD	CX-NSZ310
0 X	MICON	R 0328	88-108-182-080	0E	C-RES,U 1.8K-1/16W J	LHSFD	CX-NSZ310
0 X	MICON	R 0328	88-108-182-080	0E	C-RES,U 1.8K-1/16W J	LHSFD	CX-NSZ510
0 X	MICON	R 0328	88-108-182-080	0E	C-RES,U 1.8K-1/16W J	USM	CX-SNAJ310
X	MICON	R 0329	88-108-272-080	0E	C-RES,U 2.7K-1/16W J	EZSFD	CX-NSZ315
0 X	MICON	R 0329	88-108-272-080	0E	C-RES,U 2.7K-1/16W J	EZSFD	CX-NSZ310
0 X	MICON	R 0329	88-108-272-080	0E	C-RES,U 2.7K-1/16W J	KSFD	CX-NSZ310
0 X	MICON	R 0329	88-108-272-080	0E	C-RES,U 2.7K-1/16W J	LHSFD	CX-NSZ310
0 X	MICON	R 0329	88-108-272-080	0E	C-RES,U 2.7K-1/16W J	LHSFD	CX-NSZ510
0 X	MICON	R 0329	88-108-272-080	0E	C-RES,U 2.7K-1/16W J	USM	CX-SNAJ310
X	MICON	R 0330	88-108-332-080	0E	C-RES,U 3.3K-1/16W J	EZSFD	CX-NSZ315
0 X	MICON	R 0330	88-108-332-080	0E	C-RES,U 3.3K-1/16W J	EZSFD	CX-NSZ310

# PARTS LIST

! =  $\Delta$  SAFTY PARTS  
 C = Components marked

All components used on this model at the production line are shown in this service manual.

However, please note that not all components will be available as spare parts for after-sales service.

Components marked S and O are designated as spare parts for service and will be stocked at the spare parts centers.

Components marked X and R are not designated as spare parts for after sales service, and will not be stocked at the spare parts centers.

K NO. = Only use japanese.

! C	UNIT NAME	REF NO.	PARTS CODE	K NO.	DESCRIPTION	SUFFIX	MODEL NAME
0 X	MICON	R 0330	88-108-332-080	0E	C-RES,U 3.3K-1/16W J	KSFD	CX-NSZ310
0 X	MICON	R 0330	88-108-332-080	0E	C-RES,U 3.3K-1/16W J	LHSFD	CX-NSZ310
0 X	MICON	R 0330	88-108-332-080	0E	C-RES,U 3.3K-1/16W J	LHSFD	CX-NSZ510
0 X	MICON	R 0330	88-108-332-080	0E	C-RES,U 3.3K-1/16W J	USM	CX-SNAJ310
X	MICON	R 0331	88-108-472-080	0E	C-RES,U 4.7K-1/16W J	EZSFD	CX-NSZ315
0 X	MICON	R 0331	88-108-472-080	0E	C-RES,U 4.7K-1/16W J	EZSFD	CX-NSZ310
0 X	MICON	R 0331	88-108-472-080	0E	C-RES,U 4.7K-1/16W J	KSFD	CX-NSZ310
0 X	MICON	R 0331	88-108-472-080	0E	C-RES,U 4.7K-1/16W J	LHSFD	CX-NSZ310
0 X	MICON	R 0331	88-108-472-080	0E	C-RES,U 4.7K-1/16W J	LHSFD	CX-NSZ510
0 X	MICON	R 0331	88-108-472-080	0E	C-RES,U 4.7K-1/16W J	USM	CX-SNAJ310
X	MICON	R 0332	88-108-682-080	0E	C-RES,U 6.8K-1/16W J	EZSFD	CX-NSZ315
0 X	MICON	R 0332	88-108-682-080	0E	C-RES,U 6.8K-1/16W J	EZSFD	CX-NSZ310
0 X	MICON	R 0332	88-108-682-080	0E	C-RES,U 6.8K-1/16W J	KSFD	CX-NSZ310
0 X	MICON	R 0332	88-108-682-080	0E	C-RES,U 6.8K-1/16W J	LHSFD	CX-NSZ310
0 X	MICON	R 0332	88-108-682-080	0E	C-RES,U 6.8K-1/16W J	LHSFD	CX-NSZ510
0 X	MICON	R 0332	88-108-682-080	0E	C-RES,U 6.8K-1/16W J	USM	CX-SNAJ310
X	MICON	R 0333	88-108-103-080	0E	C-RES,U 10K-1/16W J	EZSFD	CX-NSZ315
0 X	MICON	R 0333	88-108-103-080	0E	C-RES,U 10K-1/16W J	EZSFD	CX-NSZ310
0 X	MICON	R 0333	88-108-103-080	0E	C-RES,U 10K-1/16W J	KSFD	CX-NSZ310
0 X	MICON	R 0333	88-108-103-080	0E	C-RES,U 10K-1/16W J	LHSFD	CX-NSZ310
0 X	MICON	R 0333	88-108-103-080	0E	C-RES,U 10K-1/16W J	LHSFD	CX-NSZ510
0 X	MICON	R 0333	88-108-103-080	0E	C-RES,U 10K-1/16W J	USM	CX-SNAJ310
X	MICON	R 0334	88-108-183-080	0E	C-RES,U 18K-1/16W J	EZSFD	CX-NSZ315
0 X	MICON	R 0334	88-108-183-080	0E	C-RES,U 18K-1/16W J	EZSFD	CX-NSZ310
0 X	MICON	R 0334	88-108-183-080	0E	C-RES,U 18K-1/16W J	KSFD	CX-NSZ310
0 X	MICON	R 0334	88-108-183-080	0E	C-RES,U 18K-1/16W J	LHSFD	CX-NSZ310
0 X	MICON	R 0334	88-108-183-080	0E	C-RES,U 18K-1/16W J	LHSFD	CX-NSZ510
0 X	MICON	R 0334	88-108-183-080	0E	C-RES,U 18K-1/16W J	USM	CX-SNAJ310
X	MICON	R 0341	88-108-103-080	0E	C-RES,U 10K-1/16W J	EZSFD	CX-NSZ315
0 X	MICON	R 0341	88-108-103-080	0E	C-RES,U 10K-1/16W J	EZSFD	CX-NSZ310
0 X	MICON	R 0341	88-108-103-080	0E	C-RES,U 10K-1/16W J	KSFD	CX-NSZ310
0 X	MICON	R 0341	88-108-103-080	0E	C-RES,U 10K-1/16W J	LHSFD	CX-NSZ310
0 X	MICON	R 0341	88-108-103-080	0E	C-RES,U 10K-1/16W J	LHSFD	CX-NSZ510
X	MICON	R 0342	88-108-102-080	0E	C-RES,U 1K-1/16W J	EZSFD	CX-NSZ315
0 X	MICON	R 0342	88-108-102-080	0E	C-RES,U 1K-1/16W J	EZSFD	CX-NSZ310
0 X	MICON	R 0342	88-108-102-080	0E	C-RES,U 1K-1/16W J	KSFD	CX-NSZ310
0 X	MICON	R 0342	88-108-102-080	0E	C-RES,U 1K-1/16W J	LHSFD	CX-NSZ310
0 X	MICON	R 0342	88-108-102-080	0E	C-RES,U 1K-1/16W J	LHSFD	CX-NSZ510
0 X	MICON	R 0342	88-108-102-080	0E	C-RES,U 1K-1/16W J	USM	CX-SNAJ310
X	MICON	R 0343	88-108-821-080	0E	C-RES,U 820-1/16W J	EZSFD	CX-NSZ315
0 X	MICON	R 0343	88-108-821-080	0E	C-RES,U 820-1/16W J	EZSFD	CX-NSZ310
0 X	MICON	R 0343	88-108-821-080	0E	C-RES,U 820-1/16W J	KSFD	CX-NSZ310
0 X	MICON	R 0343	88-108-821-080	0E	C-RES,U 820-1/16W J	LHSFD	CX-NSZ310
0 X	MICON	R 0343	88-108-821-080	0E	C-RES,U 820-1/16W J	LHSFD	CX-NSZ510
0 X	MICON	R 0343	88-108-821-080	0E	C-RES,U 820-1/16W J	USM	CX-SNAJ310
X	MICON	R 0344	88-121-102-080	0E	RES,1K-1/8W J	EZSFD	CX-NSZ315
0 X	MICON	R 0344	88-121-102-080	0E	RES,1K-1/8W J	EZSFD	CX-NSZ310
0 X	MICON	R 0344	88-121-102-080	0E	RES,1K-1/8W J	KSFD	CX-NSZ310
0 X	MICON	R 0344	88-121-102-080	0E	RES,1K-1/8W J	LHSFD	CX-NSZ310
0 X	MICON	R 0344	88-121-102-080	0E	RES,1K-1/8W J	LHSFD	CX-NSZ510
0 X	MICON	R 0344	88-121-102-080	0E	RES,1K-1/8W J	USM	CX-SNAJ310
X	MICON	R 0345	88-108-122-080	0E	C-RES,U 1.2K-1/16W J	EZSFD	CX-NSZ315
0 X	MICON	R 0345	88-108-122-080	0E	C-RES,U 1.2K-1/16W J	EZSFD	CX-NSZ310
0 X	MICON	R 0345	88-108-122-080	0E	C-RES,U 1.2K-1/16W J	KSFD	CX-NSZ310
0 X	MICON	R 0345	88-108-122-080	0E	C-RES,U 1.2K-1/16W J	LHSFD	CX-NSZ310
0 X	MICON	R 0345	88-108-122-080	0E	C-RES,U 1.2K-1/16W J	LHSFD	CX-NSZ510
0 X	MICON	R 0345	88-108-122-080	0E	C-RES,U 1.2K-1/16W J	USM	CX-SNAJ310
X	MICON	R 0346	88-108-122-080	0E	C-RES,U 1.2K-1/16W J	EZSFD	CX-NSZ315
0 X	MICON	R 0346	88-108-122-080	0E	C-RES,U 1.2K-1/16W J	EZSFD	CX-NSZ310
0 X	MICON	R 0346	88-108-122-080	0E	C-RES,U 1.2K-1/16W J	LHSFD	CX-NSZ510
0 X	MICON	R 0346	88-108-122-080	0E	C-RES,U 1.2K-1/16W J	USM	CX-SNAJ310
X	MICON	R 0347	88-121-182-080	0E	RES,1.8K-1/8W J	EZSFD	CX-NSZ315
0 X	MICON	R 0347	88-121-182-080	0E	RES,1.8K-1/8W J	EZSFD	CX-NSZ310
0 X	MICON	R 0347	88-121-182-080	0E	RES,1.8K-1/8W J	KSFD	CX-NSZ310
0 X	MICON	R 0347	88-121-182-080	0E	RES,1.8K-1/8W J	LHSFD	CX-NSZ310
0 X	MICON	R 0347	88-121-182-080	0E	RES,1.8K-1/8W J	LHSFD	CX-NSZ510
0 X	MICON	R 0347	88-121-182-080	0E	RES,1.8K-1/8W J	USM	CX-SNAJ310

# PARTS LIST

! =  $\Delta$  SAFTY PARTS  
 C = Components marked

All components used on this model at the production line are shown in this service manual.

However, please note that not all components will be available as spare parts for after-sales service.

Components marked S and O are designated as spare parts for service and will be stocked at the spare parts centers.

Components marked X and R are not designated as spare parts for after sales service, and will not be stocked at the spare parts centers.

K NO. = Only use japanese.

! C	UNIT NAME	REF NO.	PARTS CODE	K NO.	DESCRIPTION	SUFFIX	MODEL NAME
0 X	MICON	R 0348	88-108-182-080	0E	C-RES,U 1.8K-1/16W J	EZSFD	CX-NSZ315
0 X	MICON	R 0348	88-108-182-080	0E	C-RES,U 1.8K-1/16W J	EZSFD	CX-NSZ310
0 X	MICON	R 0348	88-108-182-080	0E	C-RES,U 1.8K-1/16W J	KSFD	CX-NSZ310
0 X	MICON	R 0348	88-108-182-080	0E	C-RES,U 1.8K-1/16W J	LHSFD	CX-NSZ310
0 X	MICON	R 0348	88-108-182-080	0E	C-RES,U 1.8K-1/16W J	LHSFD	CX-NSZ510
0 X	MICON	R 0348	88-108-182-080	0E	C-RES,U 1.8K-1/16W J	USM	CX-SNAJ310
X	MICON	R 0349	88-108-272-080	0E	C-RES,U 2.7K-1/16W J	EZSFD	CX-NSZ315
0 X	MICON	R 0349	88-108-272-080	0E	C-RES,U 2.7K-1/16W J	EZSFD	CX-NSZ310
0 X	MICON	R 0349	88-108-272-080	0E	C-RES,U 2.7K-1/16W J	KSFD	CX-NSZ310
0 X	MICON	R 0349	88-108-272-080	0E	C-RES,U 2.7K-1/16W J	EZSFD	CX-NSZ310
0 X	MICON	R 0349	88-108-272-080	0E	C-RES,U 2.7K-1/16W J	LHSFD	CX-NSZ310
0 X	MICON	R 0349	88-108-272-080	0E	C-RES,U 2.7K-1/16W J	LHSFD	CX-NSZ510
0 X	MICON	R 0349	88-108-272-080	0E	C-RES,U 2.7K-1/16W J	USM	CX-SNAJ310
X	MICON	R 0350	88-108-332-080	0E	C-RES,U 3.3K-1/16W J	EZSFD	CX-NSZ315
X	MICON	R 0351	88-108-472-080	0E	C-RES,U 4.7K-1/16W J	EZSFD	CX-NSZ315
X	MICON	R 0352	88-108-682-080	0E	C-RES,U 6.8K-1/16W J	EZSFD	CX-NSZ315
X	MICON	R 0361	88-108-103-080	0E	C-RES,U 10K-1/16W J	EZSFD	CX-NSZ315
0 X	MICON	R 0361	88-108-103-080	0E	C-RES,U 10K-1/16W J	EZSFD	CX-NSZ310
0 X	MICON	R 0361	88-108-103-080	0E	C-RES,U 10K-1/16W J	KSFD	CX-NSZ310
0 X	MICON	R 0361	88-108-103-080	0E	C-RES,U 10K-1/16W J	LHSFD	CX-NSZ310
0 X	MICON	R 0361	88-108-103-080	0E	C-RES,U 10K-1/16W J	LHSFD	CX-NSZ510
0 X	MICON	R 0361	88-108-103-080	0E	C-RES,U 10K-1/16W J	USM	CX-SNAJ310
X	MICON	R 0362	88-108-103-080	0E	C-RES,U 10K-1/16W J	EZSFD	CX-NSZ315
0 X	MICON	R 0362	88-108-103-080	0E	C-RES,U 10K-1/16W J	EZSFD	CX-NSZ310
0 X	MICON	R 0362	88-108-103-080	0E	C-RES,U 10K-1/16W J	KSFD	CX-NSZ310
0 X	MICON	R 0362	88-108-103-080	0E	C-RES,U 10K-1/16W J	LHSFD	CX-NSZ310
0 X	MICON	R 0362	88-108-103-080	0E	C-RES,U 10K-1/16W J	LHSFD	CX-NSZ510
0 X	MICON	R 0362	88-108-103-080	0E	C-RES,U 10K-1/16W J	USM	CX-SNAJ310
X	MICON	R 0363	88-108-100-080	0E	C-RES,U 10-1/16W J	EZSFD	CX-NSZ315
0 X	MICON	R 0363	88-108-100-080	0E	C-RES,U 10-1/16W J	EZSFD	CX-NSZ310
0 X	MICON	R 0363	88-108-100-080	0E	C-RES,U 10-1/16W J	KSFD	CX-NSZ310
0 X	MICON	R 0363	88-108-100-080	0E	C-RES,U 10-1/16W J	LHSFD	CX-NSZ310
0 X	MICON	R 0363	88-108-100-080	0E	C-RES,U 10-1/16W J	LHSFD	CX-NSZ510
0 X	MICON	R 0363	88-108-100-080	0E	C-RES,U 10-1/16W J	USM	CX-SNAJ310
X	MICON	R 0371	88-108-103-080	0E	C-RES,U 10K-1/16W J	EZSFD	CX-NSZ315
0 X	MICON	R 0371	88-108-103-080	0E	C-RES,U 10K-1/16W J	EZSFD	CX-NSZ310
0 X	MICON	R 0371	88-108-103-080	0E	C-RES,U 10K-1/16W J	KSFD	CX-NSZ310
0 X	MICON	R 0371	88-108-103-080	0E	C-RES,U 10K-1/16W J	LHSFD	CX-NSZ310
0 X	MICON	R 0371	88-108-103-080	0E	C-RES,U 10K-1/16W J	LHSFD	CX-NSZ510
0 X	MICON	R 0371	88-108-103-080	0E	C-RES,U 10K-1/16W J	USM	CX-SNAJ310
X	MICON	R 0372	88-121-103-080	0E	RES,10K-1/8W J	EZSFD	CX-NSZ315
0 X	MICON	R 0372	88-121-103-080	0E	RES,10K-1/8W J	EZSFD	CX-NSZ310
0 X	MICON	R 0372	88-121-103-080	0E	RES,10K-1/8W J	KSFD	CX-NSZ310
0 X	MICON	R 0372	88-121-103-080	0E	RES,10K-1/8W J	LHSFD	CX-NSZ310
0 X	MICON	R 0372	88-121-103-080	0E	RES,10K-1/8W J	LHSFD	CX-NSZ510
0 X	MICON	R 0372	88-121-103-080	0E	RES,10K-1/8W J	USM	CX-SNAJ310
X	MICON	R 0373	88-108-100-080	0E	C-RES,U 10-1/16W J	EZSFD	CX-NSZ315
0 X	MICON	R 0373	88-108-100-080	0E	C-RES,U 10-1/16W J	EZSFD	CX-NSZ310
0 X	MICON	R 0373	88-108-100-080	0E	C-RES,U 10-1/16W J	KSFD	CX-NSZ310
0 X	MICON	R 0373	88-108-100-080	0E	C-RES,U 10-1/16W J	LHSFD	CX-NSZ310
0 X	MICON	R 0373	88-108-100-080	0E	C-RES,U 10-1/16W J	LHSFD	CX-NSZ510
0 X	MICON	R 0373	88-108-100-080	0E	C-RES,U 10-1/16W J	USM	CX-SNAJ310
X	MICON	R 0374	88-108-100-080	0E	C-RES,U 10-1/16W J	EZSFD	CX-NSZ315
0 X	MICON	R 0374	88-108-100-080	0E	C-RES,U 10-1/16W J	EZSFD	CX-NSZ310
0 X	MICON	R 0374	88-108-100-080	0E	C-RES,U 10-1/16W J	KSFD	CX-NSZ310
0 X	MICON	R 0374	88-108-100-080	0E	C-RES,U 10-1/16W J	LHSFD	CX-NSZ310
0 X	MICON	R 0374	88-108-100-080	0E	C-RES,U 10-1/16W J	LHSFD	CX-NSZ510
0 X	MICON	R 0374	88-108-100-080	0E	C-RES,U 10-1/16W J	USM	CX-SNAJ310
X	MICON	R 0601	88-108-103-080	0E	C-RES,U 10K-1/16W J	EZSFD	CX-NSZ315
0 X	MICON	R 0601	88-108-103-080	0E	C-RES,U 10K-1/16W J	EZSFD	CX-NSZ310
0 X	MICON	R 0601	88-108-103-080	0E	C-RES,U 10K-1/16W J	KSFD	CX-NSZ310
0 X	MICON	R 0601	88-108-103-080	0E	C-RES,U 10K-1/16W J	LHSFD	CX-NSZ310
0 X	MICON	R 0601	88-108-103-080	0E	C-RES,U 10K-1/16W J	LHSFD	CX-NSZ510
0 X	MICON	R 0601	88-108-103-080	0E	C-RES,U 10K-1/16W J	USM	CX-SNAJ310
X	MICON	R 0602	88-108-222-080	0E	C-RES,U 2.2K-1/16W J	EZSFD	CX-NSZ315

# PARTS LIST

! =  $\Delta$  SAFTY PARTS  
 C = Components marked

All components used on this model at the production line are shown in this service manual.

However, please note that not all components will be available as spare parts for after-sales service.

Components marked S and O are designated as spare parts for service and will be stocked at the spare parts centers.

Components marked X and R are not designated as spare parts for after sales service, and will not be stocked at the spare parts centers.

K NO. = Only use japanese.

! C	UNIT NAME	REF NO.	PARTS CODE	K NO.	DESCRIPTION	SUFFIX	MODEL NAME
0 X	MICON	R 0602	88-108-222-080	0E	C-RES,U 2.2K-1/16W J	EZSFD	CX-NSZ310
0 X	MICON	R 0602	88-108-222-080	0E	C-RES,U 2.2K-1/16W J	KSFD	CX-NSZ310
0 X	MICON	R 0602	88-108-222-080	0E	C-RES,U 2.2K-1/16W J	LHSFD	CX-NSZ310
0 X	MICON	R 0602	88-108-222-080	0E	C-RES,U 2.2K-1/16W J	LHSFD	CX-NSZ510
0 X	MICON	R 0602	88-108-222-080	0E	C-RES,U 2.2K-1/16W J	USM	CX-SNAJ310
X	MICON	R 0603	88-108-103-080	0E	C-RES,U 10K-1/16W J	EZSFD	CX-NSZ315
0 X	MICON	R 0603	88-108-103-080	0E	C-RES,U 10K-1/16W J	EZSFD	CX-NSZ310
0 X	MICON	R 0603	88-108-103-080	0E	C-RES,U 10K-1/16W J	KSFD	CX-NSZ310
0 X	MICON	R 0603	88-108-103-080	0E	C-RES,U 10K-1/16W J	LHSFD	CX-NSZ310
0 X	MICON	R 0603	88-108-103-080	0E	C-RES,U 10K-1/16W J	LHSFD	CX-NSZ510
0 X	MICON	R 0603	88-108-103-080	0E	C-RES,U 10K-1/16W J	USM	CX-SNAJ310
X	MICON	R 0604	88-108-222-080	0E	C-RES,U 2.2K-1/16W J	EZSFD	CX-NSZ315
0 X	MICON	R 0604	88-108-222-080	0E	C-RES,U 2.2K-1/16W J	EZSFD	CX-NSZ310
0 X	MICON	R 0604	88-108-222-080	0E	C-RES,U 2.2K-1/16W J	KSFD	CX-NSZ310
0 X	MICON	R 0604	88-108-222-080	0E	C-RES,U 2.2K-1/16W J	LHSFD	CX-NSZ310
0 X	MICON	R 0604	88-108-222-080	0E	C-RES,U 2.2K-1/16W J	LHSFD	CX-NSZ510
0 X	MICON	R 0604	88-108-222-080	0E	C-RES,U 2.2K-1/16W J	USM	CX-SNAJ310
X	MICON	R 0605	88-108-103-080	0E	C-RES,U 10K-1/16W J	EZSFD	CX-NSZ315
0 X	MICON	R 0605	88-108-103-080	0E	C-RES,U 10K-1/16W J	EZSFD	CX-NSZ310
0 X	MICON	R 0605	88-108-103-080	0E	C-RES,U 10K-1/16W J	KSFD	CX-NSZ310
0 X	MICON	R 0605	88-108-103-080	0E	C-RES,U 10K-1/16W J	LHSFD	CX-NSZ310
0 X	MICON	R 0605	88-108-103-080	0E	C-RES,U 10K-1/16W J	LHSFD	CX-NSZ510
0 X	MICON	R 0605	88-108-103-080	0E	C-RES,U 10K-1/16W J	USM	CX-SNAJ310
X	MICON	R 0606	88-108-102-080	0E	C-RES,U 1K-1/16W J	EZSFD	CX-NSZ315
0 X	MICON	R 0606	88-108-102-080	0E	C-RES,U 1K-1/16W J	EZSFD	CX-NSZ310
0 X	MICON	R 0606	88-108-102-080	0E	C-RES,U 1K-1/16W J	KSFD	CX-NSZ310
0 X	MICON	R 0606	88-108-102-080	0E	C-RES,U 1K-1/16W J	LHSFD	CX-NSZ310
0 X	MICON	R 0606	88-108-102-080	0E	C-RES,U 1K-1/16W J	LHSFD	CX-NSZ510
0 X	MICON	R 0606	88-108-102-080	0E	C-RES,U 1K-1/16W J	USM	CX-SNAJ310
X	MICON	R 0607	88-108-000-080	0E	C-JUMPER,U	EZSFD	CX-NSZ315
0 X	MICON	R 0607	88-108-000-080	0E	C-JUMPER,U	EZSFD	CX-NSZ310
0 X	MICON	R 0607	88-108-000-080	0E	C-JUMPER,U	KSFD	CX-NSZ310
0 X	MICON	R 0607	88-108-000-080	0E	C-JUMPER,U	LHSFD	CX-NSZ310
0 X	MICON	R 0607	88-108-000-080	0E	C-JUMPER,U	LHSFD	CX-NSZ510
0 X	MICON	R 0607	88-108-000-080	0E	C-JUMPER,U	USM	CX-SNAJ310
X	MICON	R 0611	88-108-473-080	0E	C-RES,U 47K-1/16W J	EZSFD	CX-NSZ315
0 X	MICON	R 0611	88-108-473-080	0E	C-RES,U 47K-1/16W J	EZSFD	CX-NSZ310
0 X	MICON	R 0611	88-108-473-080	0E	C-RES,U 47K-1/16W J	KSFD	CX-NSZ310
0 X	MICON	R 0611	88-108-473-080	0E	C-RES,U 47K-1/16W J	LHSFD	CX-NSZ310
0 X	MICON	R 0611	88-108-473-080	0E	C-RES,U 47K-1/16W J	LHSFD	CX-NSZ510
0 X	MICON	R 0611	88-108-473-080	0E	C-RES,U 47K-1/16W J	USM	CX-SNAJ310
X	MICON	R 0613	88-108-473-080	0E	C-RES,U 47K-1/16W J	EZSFD	CX-NSZ315
0 X	MICON	R 0613	88-108-473-080	0E	C-RES,U 47K-1/16W J	EZSFD	CX-NSZ310
0 X	MICON	R 0613	88-108-473-080	0E	C-RES,U 47K-1/16W J	KSFD	CX-NSZ310
0 X	MICON	R 0613	88-108-473-080	0E	C-RES,U 47K-1/16W J	LHSFD	CX-NSZ310
0 X	MICON	R 0613	88-108-473-080	0E	C-RES,U 47K-1/16W J	LHSFD	CX-NSZ510
0 X	MICON	R 0613	88-108-473-080	0E	C-RES,U 47K-1/16W J	USM	CX-SNAJ310
X	MICON	R 0614	88-108-473-080	0E	C-RES,U 47K-1/16W J	EZSFD	CX-NSZ315
0 X	MICON	R 0614	88-108-473-080	0E	C-RES,U 47K-1/16W J	EZSFD	CX-NSZ310
0 X	MICON	R 0614	88-108-473-080	0E	C-RES,U 47K-1/16W J	KSFD	CX-NSZ310
0 X	MICON	R 0614	88-108-473-080	0E	C-RES,U 47K-1/16W J	LHSFD	CX-NSZ310
0 X	MICON	R 0614	88-108-473-080	0E	C-RES,U 47K-1/16W J	LHSFD	CX-NSZ510
0 X	MICON	R 0614	88-108-473-080	0E	C-RES,U 47K-1/16W J	USM	CX-SNAJ310
X	MICON	R 0615	88-108-473-080	0E	C-RES,U 47K-1/16W J	EZSFD	CX-NSZ315
0 X	MICON	R 0615	88-108-473-080	0E	C-RES,U 47K-1/16W J	EZSFD	CX-NSZ310
0 X	MICON	R 0615	88-108-473-080	0E	C-RES,U 47K-1/16W J	KSFD	CX-NSZ310
0 X	MICON	R 0615	88-108-473-080	0E	C-RES,U 47K-1/16W J	LHSFD	CX-NSZ310
0 X	MICON	R 0615	88-108-473-080	0E	C-RES,U 47K-1/16W J	LHSFD	CX-NSZ510
0 X	MICON	R 0615	88-108-473-080	0E	C-RES,U 47K-1/16W J	USM	CX-SNAJ310
X	MICON	R 0616	88-108-473-080	0E	C-RES,U 47K-1/16W J	EZSFD	CX-NSZ315
0 X	MICON	R 0616	88-108-473-080	0E	C-RES,U 47K-1/16W J	EZSFD	CX-NSZ310
0 X	MICON	R 0616	88-108-473-080	0E	C-RES,U 47K-1/16W J	KSFD	CX-NSZ310
0 X	MICON	R 0616	88-108-473-080	0E	C-RES,U 47K-1/16W J	LHSFD	CX-NSZ310
0 X	MICON	R 0616	88-108-473-080	0E	C-RES,U 47K-1/16W J	LHSFD	CX-NSZ510
0 X	MICON	R 0616	88-108-473-080	0E	C-RES,U 47K-1/16W J	USM	CX-SNAJ310
X	MICON	R 0651	88-128-152-080	0E	C-RES, 1.5K-1/8W J	EZSFD	CX-NSZ315
0 X	MICON	R 0651	88-128-152-080	0E	C-RES, 1.5K-1/8W J	EZSFD	CX-NSZ310
0 X	MICON	R 0651	88-128-152-080	0E	C-RES, 1.5K-1/8W J	KSFD	CX-NSZ310
0 X	MICON	R 0651	88-128-152-080	0E	C-RES, 1.5K-1/8W J	LHSFD	CX-NSZ310
0 X	MICON	R 0651	88-128-152-080	0E	C-RES, 1.5K-1/8W J	LHSFD	CX-NSZ510

# PARTS LIST

! =  $\Delta$  SAFTY PARTS  
 C = Components marked

All components used on this model at the production line are shown in this service manual.

However, please note that not all components will be available as spare parts for after-sales service.

Components marked S and O are designated as spare parts for service and will be stocked at the spare parts centers.

Components marked X and R are not designated as spare parts for after sales service, and will not be stocked at the spare parts centers.

K NO. = Only use japanese.

! C	UNIT NAME	REF NO.	PARTS CODE	K NO.	DESCRIPTION	SUFFIX	MODEL NAME
0 X	MICON	R 0651	88-128-152-080	0E	C-RES, 1.5K-1/8W J	USM	CX-SNAJ310
X	MICON	R 0652	88-108-152-080	0E	C-RES,U 1.5K-1/16W J	EZSFD	CX-NSZ315
0 X	MICON	R 0652	88-108-152-080	0E	C-RES,U 1.5K-1/16W J	EZSFD	CX-NSZ310
0 X	MICON	R 0652	88-108-152-080	0E	C-RES,U 1.5K-1/16W J	KSFD	CX-NSZ310
0 X	MICON	R 0652	88-108-152-080	0E	C-RES,U 1.5K-1/16W J	LHSFD	CX-NSZ310
0 X	MICON	R 0652	88-108-152-080	0E	C-RES,U 1.5K-1/16W J	LHSFD	CX-NSZ510
0 X	MICON	R 0652	88-108-152-080	0E	C-RES,U 1.5K-1/16W J	USM	CX-SNAJ310
X	MICON	R 0653	88-108-152-080	0E	C-RES,U 1.5K-1/16W J	EZSFD	CX-NSZ315
0 X	MICON	R 0653	88-108-152-080	0E	C-RES,U 1.5K-1/16W J	EZSFD	CX-NSZ310
0 X	MICON	R 0653	88-108-152-080	0E	C-RES,U 1.5K-1/16W J	KSFD	CX-NSZ310
0 X	MICON	R 0653	88-108-152-080	0E	C-RES,U 1.5K-1/16W J	LHSFD	CX-NSZ310
0 X	MICON	R 0653	88-108-152-080	0E	C-RES,U 1.5K-1/16W J	LHSFD	CX-NSZ510
0 X	MICON	R 0653	88-108-152-080	0E	C-RES,U 1.5K-1/16W J	USM	CX-SNAJ310
X	MICON	R 0654	88-108-152-080	0E	C-RES,U 1.5K-1/16W J	EZSFD	CX-NSZ315
0 X	MICON	R 0654	88-108-152-080	0E	C-RES,U 1.5K-1/16W J	EZSFD	CX-NSZ310
0 X	MICON	R 0654	88-108-152-080	0E	C-RES,U 1.5K-1/16W J	USM	CX-SNAJ310
0 X	MICON	R 0654	88-108-152-080	0E	C-RES,U 1.5K-1/16W J	EZSFD	CX-NSZ315
0 X	MICON	R 0654	88-108-152-080	0E	C-RES,U 1.5K-1/16W J	KSFD	CX-NSZ310
0 X	MICON	R 0654	88-108-152-080	0E	C-RES,U 1.5K-1/16W J	LHSFD	CX-NSZ310
0 X	MICON	R 0654	88-108-152-080	0E	C-RES,U 1.5K-1/16W J	LHSFD	CX-NSZ510
0 X	MICON	R 0654	88-108-152-080	0E	C-RES,U 1.5K-1/16W J	USM	CX-SNAJ310
X	MICON	R 0655	88-108-152-080	0E	C-RES,U 1.5K-1/16W J	EZSFD	CX-NSZ315
0 X	MICON	R 0655	88-108-152-080	0E	C-RES,U 1.5K-1/16W J	EZSFD	CX-NSZ310
0 X	MICON	R 0655	88-108-152-080	0E	C-RES,U 1.5K-1/16W J	KSFD	CX-NSZ310
0 X	MICON	R 0655	88-108-152-080	0E	C-RES,U 1.5K-1/16W J	LHSFD	CX-NSZ310
0 X	MICON	R 0655	88-108-152-080	0E	C-RES,U 1.5K-1/16W J	LHSFD	CX-NSZ510
0 X	MICON	R 0655	88-108-152-080	0E	C-RES,U 1.5K-1/16W J	USM	CX-SNAJ310
X	MICON	R 0656	88-108-152-080	0E	C-RES,U 1.5K-1/16W J	EZSFD	CX-NSZ315
0 X	MICON	R 0656	88-108-152-080	0E	C-RES,U 1.5K-1/16W J	EZSFD	CX-NSZ310
0 X	MICON	R 0656	88-108-152-080	0E	C-RES,U 1.5K-1/16W J	KSFD	CX-NSZ310
0 X	MICON	R 0656	88-108-152-080	0E	C-RES,U 1.5K-1/16W J	LHSFD	CX-NSZ310
0 X	MICON	R 0656	88-108-152-080	0E	C-RES,U 1.5K-1/16W J	LHSFD	CX-NSZ510
0 X	MICON	R 0656	88-108-152-080	0E	C-RES,U 1.5K-1/16W J	USM	CX-SNAJ310
X	MICON	R 0701	88-121-102-080	0E	RES,1K-1/8W J	EZSFD	CX-NSZ315
X	MICON	R 0702	88-108-102-080	0E	C-RES,U 1K-1/16W J	EZSFD	CX-NSZ315
X	MICON	R 0703	88-108-102-080	0E	C-RES,U 1K-1/16W J	EZSFD	CX-NSZ315
X	MICON	R 0704	88-108-102-080	0E	C-RES,U 1K-1/16W J	EZSFD	CX-NSZ315
0 X	MICON	R 0704	88-108-102-080	0E	C-RES,U 1K-1/16W J	EZSFD	CX-NSZ310
0 X	MICON	R 0704	88-108-102-080	0E	C-RES,U 1K-1/16W J	KSFD	CX-NSZ310
0 X	MICON	R 0704	88-108-102-080	0E	C-RES,U 1K-1/16W J	LHSFD	CX-NSZ310
0 X	MICON	R 0704	88-108-102-080	0E	C-RES,U 1K-1/16W J	LHSFD	CX-NSZ510
0 X	MICON	R 0704	88-108-102-080	0E	C-RES,U 1K-1/16W J	USM	CX-SNAJ310
X	MICON	R 0705	88-108-102-080	0E	C-RES,U 1K-1/16W J	EZSFD	CX-NSZ315
0 X	MICON	R 0705	88-108-102-080	0E	C-RES,U 1K-1/16W J	EZSFD	CX-NSZ315
0 X	MICON	R 0705	88-108-102-080	0E	C-RES,U 1K-1/16W J	KSFD	CX-NSZ310
0 X	MICON	R 0705	88-108-102-080	0E	C-RES,U 1K-1/16W J	LHSFD	CX-NSZ310
0 X	MICON	R 0705	88-108-102-080	0E	C-RES,U 1K-1/16W J	LHSFD	CX-NSZ510
X	MICON	R 0706	88-108-102-080	0E	C-RES,U 1K-1/16W J	USM	CX-SNAJ310
X	MICON	R 0706	88-108-102-080	0E	C-RES,U 1K-1/16W J	EZSFD	CX-NSZ315
0 X	MICON	R 0706	88-108-102-080	0E	C-RES,U 1K-1/16W J	EZSFD	CX-NSZ310
0 X	MICON	R 0706	88-108-102-080	0E	C-RES,U 1K-1/16W J	KSFD	CX-NSZ310
0 X	MICON	R 0706	88-108-102-080	0E	C-RES,U 1K-1/16W J	LHSFD	CX-NSZ310
0 X	MICON	R 0706	88-108-102-080	0E	C-RES,U 1K-1/16W J	LHSFD	CX-NSZ510
0 X	MICON	R 0706	88-108-102-080	0E	C-RES,U 1K-1/16W J	USM	CX-SNAJ310
X	MICON	R 0707	88-108-102-080	0E	C-RES,U 1K-1/16W J	EZSFD	CX-NSZ315
0 X	MICON	R 0707	88-108-102-080	0E	C-RES,U 1K-1/16W J	EZSFD	CX-NSZ310
0 X	MICON	R 0707	88-108-102-080	0E	C-RES,U 1K-1/16W J	KSFD	CX-NSZ310
0 X	MICON	R 0707	88-108-102-080	0E	C-RES,U 1K-1/16W J	LHSFD	CX-NSZ310
0 X	MICON	R 0707	88-108-102-080	0E	C-RES,U 1K-1/16W J	LHSFD	CX-NSZ510
0 X	MICON	R 0707	88-108-102-080	0E	C-RES,U 1K-1/16W J	USM	CX-SNAJ310
X	MICON	R 0708	88-108-102-080	0E	C-RES,U 1K-1/16W J	EZSFD	CX-NSZ315
0 X	MICON	R 0708	88-108-102-080	0E	C-RES,U 1K-1/16W J	EZSFD	CX-NSZ310
0 X	MICON	R 0708	88-108-102-080	0E	C-RES,U 1K-1/16W J	LHSFD	CX-NSZ310
0 X	MICON	R 0708	88-108-102-080	0E	C-RES,U 1K-1/16W J	LHSFD	CX-NSZ510
X	MICON	R 0709	88-108-101-080	0E	C-RES,U 100-1/16W J	USM	CX-SNAJ310
0 X	MICON	R 0709	88-108-101-080	0E	C-RES,U 100-1/16W J	EZSFD	CX-NSZ315
0 X	MICON	R 0709	88-108-101-080	0E	C-RES,U 100-1/16W J	EZSFD	CX-NSZ310
0 X	MICON	R 0709	88-108-101-080	0E	C-RES,U 100-1/16W J	KSFD	CX-NSZ310
0 X	MICON	R 0709	88-108-101-080	0E	C-RES,U 100-1/16W J	LHSFD	CX-NSZ310
0 X	MICON	R 0709	88-108-101-080	0E	C-RES,U 100-1/16W J	LHSFD	CX-NSZ510
0 X	MICON	R 0709	88-108-101-080	0E	C-RES,U 100-1/16W J	USM	CX-SNAJ310

# PARTS LIST

! =  $\Delta$  SAFTY PARTS  
 C = Components marked

All components used on this model at the production line are shown in this service manual.

However, please note that not all components will be available as spare parts for after-sales service.

Components marked S and O are designated as spare parts for service and will be stocked at the spare parts centers.

Components marked X and R are not designated as spare parts for after sales service, and will not be stocked at the spare parts centers.

K NO. = Only use japanese.

! C	UNIT NAME	REF NO.	PARTS CODE	K NO.	DESCRIPTION	SUFFIX	MODEL NAME
0 X	MICON	R 0710	88-121-101-080	0E	RES,100-1/8W J	EZSFD	CX-NSZ315
0 X	MICON	R 0710	88-121-101-080	0E	RES,100-1/8W J	EZSFD	CX-NSZ310
0 X	MICON	R 0710	88-121-101-080	0E	RES,100-1/8W J	KSFD	CX-NSZ310
0 X	MICON	R 0710	88-121-101-080	0E	RES,100-1/8W J	LHSFD	CX-NSZ310
0 X	MICON	R 0710	88-121-101-080	0E	RES,100-1/8W J	LHSFD	CX-NSZ510
0 X	MICON	R 0710	88-121-101-080	0E	RES,100-1/8W J	USM	CX-SNAJ310
0 X	MICON	R 0711	88-108-101-080	0E	C-RES,U 100-1/16W J	EZSFD	CX-NSZ315
0 X	MICON	R 0711	88-108-101-080	0E	C-RES,U 100-1/16W J	EZSFD	CX-NSZ310
0 X	MICON	R 0711	88-108-101-080	0E	C-RES,U 100-1/16W J	KSFD	CX-NSZ310
0 X	MICON	R 0711	88-108-101-080	0E	C-RES,U 100-1/16W J	LHSFD	CX-NSZ310
0 X	MICON	R 0711	88-108-101-080	0E	C-RES,U 100-1/16W J	LHSFD	CX-NSZ510
0 X	MICON	R 0711	88-108-101-080	0E	C-RES,U 100-1/16W J	USM	CX-SNAJ310
0 X	MICON	R 0712	88-121-330-080	0E	RES,33-1/8W J	EZSFD	CX-NSZ315
0 X	MICON	R 0712	88-121-330-080	0E	RES,33-1/8W J	EZSFD	CX-NSZ310
0 X	MICON	R 0712	88-121-330-080	0E	RES,33-1/8W J	KSFD	CX-NSZ310
0 X	MICON	R 0712	88-121-330-080	0E	RES,33-1/8W J	LHSFD	CX-NSZ310
0 X	MICON	R 0712	88-121-330-080	0E	RES,33-1/8W J	LHSFD	CX-NSZ510
0 X	MICON	R 0712	88-121-330-080	0E	RES,33-1/8W J	USM	CX-SNAJ310
0 X	MICON	R 0715	88-108-101-080	0E	C-RES,U 100-1/16W J	EZSFD	CX-NSZ315
0 X	MICON	R 0715	88-108-101-080	0E	C-RES,U 100-1/16W J	EZSFD	CX-NSZ310
0 X	MICON	R 0715	88-108-101-080	0E	C-RES,U 100-1/16W J	KSFD	CX-NSZ310
0 X	MICON	R 0715	88-108-101-080	0E	C-RES,U 100-1/16W J	LHSFD	CX-NSZ310
0 X	MICON	R 0715	88-108-101-080	0E	C-RES,U 100-1/16W J	LHSFD	CX-NSZ510
0 X	MICON	R 0715	88-108-101-080	0E	C-RES,U 100-1/16W J	USM	CX-SNAJ310
0 X	MICON	R 0716	88-108-472-080	0E	C-RES,U 4.7K-1/16W J	EZSFD	CX-NSZ315
0 X	MICON	R 0716	88-108-472-080	0E	C-RES,U 4.7K-1/16W J	EZSFD	CX-NSZ310
0 X	MICON	R 0716	88-108-472-080	0E	C-RES,U 4.7K-1/16W J	KSFD	CX-NSZ310
0 X	MICON	R 0716	88-108-472-080	0E	C-RES,U 4.7K-1/16W J	LHSFD	CX-NSZ310
0 X	MICON	R 0716	88-108-472-080	0E	C-RES,U 4.7K-1/16W J	LHSFD	CX-NSZ510
0 X	MICON	R 0716	88-108-472-080	0E	C-RES,U 4.7K-1/16W J	USM	CX-SNAJ310
0 X	MICON	R 0719	88-121-100-080	0E	RES,10-1/8W J	EZSFD	CX-NSZ315
0 X	MICON	R 0719	88-121-100-080	0E	RES,10-1/8W J	EZSFD	CX-NSZ310
0 X	MICON	R 0719	88-121-100-080	0E	RES,10-1/8W J	KSFD	CX-NSZ310
0 X	MICON	R 0719	88-121-100-080	0E	RES,10-1/8W J	LHSFD	CX-NSZ310
0 X	MICON	R 0719	88-121-100-080	0E	RES,10-1/8W J	LHSFD	CX-NSZ510
0 X	MICON	R 0719	88-121-100-080	0E	RES,10-1/8W J	USM	CX-SNAJ310
0 X	MICON	R 0721	88-108-101-080	0E	C-RES,U 100-1/16W J	EZSFD	CX-NSZ315
0 X	MICON	R 0721	88-108-101-080	0E	C-RES,U 100-1/16W J	EZSFD	CX-NSZ310
0 X	MICON	R 0721	88-108-101-080	0E	C-RES,U 100-1/16W J	KSFD	CX-NSZ310
0 X	MICON	R 0721	88-108-101-080	0E	C-RES,U 100-1/16W J	LHSFD	CX-NSZ310
0 X	MICON	R 0721	88-108-101-080	0E	C-RES,U 100-1/16W J	LHSFD	CX-NSZ510
0 X	MICON	R 0721	88-108-101-080	0E	C-RES,U 100-1/16W J	USM	CX-SNAJ310
0 X	MICON	R 0730	88-108-102-080	0E	C-RES,U 1K-1/16W J	EZSFD	CX-NSZ315
0 X	MICON	R 0730	88-108-102-080	0E	C-RES,U 1K-1/16W J	EZSFD	CX-NSZ310
0 X	MICON	R 0730	88-108-102-080	0E	C-RES,U 1K-1/16W J	KSFD	CX-NSZ310
0 X	MICON	R 0730	88-108-102-080	0E	C-RES,U 1K-1/16W J	LHSFD	CX-NSZ310
0 X	MICON	R 0730	88-108-102-080	0E	C-RES,U 1K-1/16W J	LHSFD	CX-NSZ510
0 X	MICON	R 0730	88-108-102-080	0E	C-RES,U 1K-1/16W J	USM	CX-SNAJ310
0 X	MICON	R 0732	88-108-101-080	0E	C-RES,U 100-1/16W J	EZSFD	CX-NSZ315
0 X	MICON	R 0732	88-108-101-080	0E	C-RES,U 100-1/16W J	EZSFD	CX-NSZ310
0 X	MICON	R 0732	88-108-101-080	0E	C-RES,U 100-1/16W J	KSFD	CX-NSZ310
0 X	MICON	R 0732	88-108-101-080	0E	C-RES,U 100-1/16W J	LHSFD	CX-NSZ310
0 X	MICON	R 0732	88-108-101-080	0E	C-RES,U 100-1/16W J	LHSFD	CX-NSZ510
0 X	MICON	R 0732	88-108-101-080	0E	C-RES,U 100-1/16W J	USM	CX-SNAJ310
0 X	MICON	R 0733	88-108-101-080	0E	C-RES,U 100-1/16W J	EZSFD	CX-NSZ315
0 X	MICON	R 0733	88-108-101-080	0E	C-RES,U 100-1/16W J	EZSFD	CX-NSZ310
0 X	MICON	R 0733	88-108-101-080	0E	C-RES,U 100-1/16W J	KSFD	CX-NSZ310
0 X	MICON	R 0733	88-108-101-080	0E	C-RES,U 100-1/16W J	LHSFD	CX-NSZ310
0 X	MICON	R 0733	88-108-101-080	0E	C-RES,U 100-1/16W J	LHSFD	CX-NSZ510
0 X	MICON	R 0733	88-108-101-080	0E	C-RES,U 100-1/16W J	USM	CX-SNAJ310
0 X	MICON	R 0734	88-108-102-080	0E	C-RES,U 1K-1/16W J	EZSFD	CX-NSZ315
0 X	MICON	R 0734	88-108-102-080	0E	C-RES,U 1K-1/16W J	EZSFD	CX-NSZ310
0 X	MICON	R 0734	88-108-102-080	0E	C-RES,U 1K-1/16W J	KSFD	CX-NSZ310
0 X	MICON	R 0734	88-108-102-080	0E	C-RES,U 1K-1/16W J	LHSFD	CX-NSZ310
0 X	MICON	R 0734	88-108-102-080	0E	C-RES,U 1K-1/16W J	LHSFD	CX-NSZ510
0 X	MICON	R 0734	88-108-102-080	0E	C-RES,U 1K-1/16W J	USM	CX-SNAJ310
0 X	MICON	R 0735	88-108-102-080	0E	C-RES,U 1K-1/16W J	EZSFD	CX-NSZ315
0 X	MICON	R 0735	88-108-102-080	0E	C-RES,U 1K-1/16W J	EZSFD	CX-NSZ310
0 X	MICON	R 0735	88-108-102-080	0E	C-RES,U 1K-1/16W J	KSFD	CX-NSZ310
0 X	MICON	R 0735	88-108-102-080	0E	C-RES,U 1K-1/16W J	LHSFD	CX-NSZ310



# PARTS LIST

! =  $\Delta$  SAFTY PARTS  
 C = Components marked

All components used on this model at the production line are shown in this service manual.

However, please note that not all components will be available as spare parts for after-sales service.

Components marked S and O are designated as spare parts for service and will be stocked at the spare parts centers.

Components marked X and R are not designated as spare parts for after sales service, and will not be stocked at the spare parts centers.

K NO. = Only use japanese.

! C	UNIT NAME	REF NO.	PARTS CODE	K NO.	DESCRIPTION	SUFFIX	MODEL NAME
0 X	MICON	R 0735	88-108-102-080	0E	C-RES,U 1K-1/16W J	LHSFD	CX-NSZ510
0 X	MICON	R 0735	88-108-102-080	0E	C-RES,U 1K-1/16W J	USM	CX-SNAJ310
X	MICON	R 0740	88-108-102-080	0E	C-RES,U 1K-1/16W J	EZSFD	CX-NSZ315
0 X	MICON	R 0740	88-108-102-080	0E	C-RES,U 1K-1/16W J	EZSFD	CX-NSZ310
0 X	MICON	R 0740	88-108-102-080	0E	C-RES,U 1K-1/16W J	KSFD	CX-NSZ310
0 X	MICON	R 0740	88-108-102-080	0E	C-RES,U 1K-1/16W J	LHSFD	CX-NSZ310
0 X	MICON	R 0740	88-108-102-080	0E	C-RES,U 1K-1/16W J	LHSFD	CX-NSZ510
0 X	MICON	R 0740	88-108-102-080	0E	C-RES,U 1K-1/16W J	USM	CX-SNAJ310
X	MICON	R 0741	88-108-101-080	0E	C-RES,U 100-1/16W J	EZSFD	CX-NSZ315
0 X	MICON	R 0741	88-108-101-080	0E	C-RES,U 100-1/16W J	EZSFD	CX-NSZ310
0 X	MICON	R 0741	88-108-101-080	0E	C-RES,U 100-1/16W J	KSFD	CX-NSZ310
0 X	MICON	R 0741	88-108-101-080	0E	C-RES,U 100-1/16W J	LHSFD	CX-NSZ310
0 X	MICON	R 0741	88-108-101-080	0E	C-RES,U 100-1/16W J	USM	CX-SNAJ310
X	MICON	R 0742	88-108-102-080	0E	C-RES,U 1K-1/16W J	EZSFD	CX-NSZ315
0 X	MICON	R 0742	88-108-102-080	0E	C-RES,U 1K-1/16W J	EZSFD	CX-NSZ310
0 X	MICON	R 0742	88-108-102-080	0E	C-RES,U 1K-1/16W J	KSFD	CX-NSZ310
0 X	MICON	R 0742	88-108-102-080	0E	C-RES,U 1K-1/16W J	LHSFD	CX-NSZ310
0 X	MICON	R 0742	88-108-102-080	0E	C-RES,U 1K-1/16W J	LHSFD	CX-NSZ510
0 X	MICON	R 0742	88-108-102-080	0E	C-RES,U 1K-1/16W J	USM	CX-SNAJ310
X	MICON	R 0743	88-108-474-080	0E	C-RES,U 470K-1/16W J	EZSFD	CX-NSZ315
0 X	MICON	R 0743	88-108-474-080	0E	C-RES,U 470K-1/16W J	EZSFD	CX-NSZ310
0 X	MICON	R 0743	88-108-474-080	0E	C-RES,U 470K-1/16W J	KSFD	CX-NSZ310
0 X	MICON	R 0743	88-108-474-080	0E	C-RES,U 470K-1/16W J	LHSFD	CX-NSZ310
0 X	MICON	R 0743	88-108-474-080	0E	C-RES,U 470K-1/16W J	LHSFD	CX-NSZ510
0 X	MICON	R 0743	88-108-474-080	0E	C-RES,U 470K-1/16W J	USM	CX-SNAJ310
X	MICON	R 0744	88-108-823-080	0E	C-RES,U 82K-1/16W J	EZSFD	CX-NSZ315
0 X	MICON	R 0744	88-108-823-080	0E	C-RES,U 82K-1/16W J	EZSFD	CX-NSZ310
0 X	MICON	R 0744	88-108-823-080	0E	C-RES,U 82K-1/16W J	KSFD	CX-NSZ310
0 X	MICON	R 0744	88-108-823-080	0E	C-RES,U 82K-1/16W J	LHSFD	CX-NSZ310
0 X	MICON	R 0744	88-108-823-080	0E	C-RES,U 82K-1/16W J	LHSFD	CX-NSZ510
0 X	MICON	R 0744	88-108-823-080	0E	C-RES,U 82K-1/16W J	USM	CX-SNAJ310
X	MICON	R 0745	88-108-104-080	0E	C-RES,U 100K-1/16W J	EZSFD	CX-NSZ315
0 X	MICON	R 0745	88-108-104-080	0E	C-RES,U 100K-1/16W J	EZSFD	CX-NSZ310
0 X	MICON	R 0745	88-108-104-080	0E	C-RES,U 100K-1/16W J	KSFD	CX-NSZ310
0 X	MICON	R 0745	88-108-104-080	0E	C-RES,U 100K-1/16W J	LHSFD	CX-NSZ310
0 X	MICON	R 0745	88-108-104-080	0E	C-RES,U 100K-1/16W J	LHSFD	CX-NSZ510
0 X	MICON	R 0745	88-108-104-080	0E	C-RES,U 100K-1/16W J	USM	CX-SNAJ310
X	MICON	R 0749	88-108-474-080	0E	C-RES,U 470K-1/16W J	EZSFD	CX-NSZ315
0 X	MICON	R 0749	88-108-474-080	0E	C-RES,U 470K-1/16W J	EZSFD	CX-NSZ310
0 X	MICON	R 0749	88-108-474-080	0E	C-RES,U 470K-1/16W J	KSFD	CX-NSZ310
0 X	MICON	R 0749	88-108-474-080	0E	C-RES,U 470K-1/16W J	LHSFD	CX-NSZ310
0 X	MICON	R 0749	88-108-474-080	0E	C-RES,U 470K-1/16W J	LHSFD	CX-NSZ510
X	MICON	R 0803	88-108-102-080	0E	C-RES,U 1K-1/16W J	USM	CX-SNAJ310
0 X	MICON	R 0803	88-108-102-080	0E	C-RES,U 1K-1/16W J	EZSFD	CX-NSZ315
0 X	MICON	R 0803	88-108-102-080	0E	C-RES,U 1K-1/16W J	EZSFD	CX-NSZ310
0 X	MICON	R 0803	88-108-102-080	0E	C-RES,U 1K-1/16W J	KSFD	CX-NSZ310
0 X	MICON	R 0803	88-108-102-080	0E	C-RES,U 1K-1/16W J	LHSFD	CX-NSZ310
0 X	MICON	R 0803	88-108-102-080	0E	C-RES,U 1K-1/16W J	LHSFD	CX-NSZ510
0 X	MICON	R 0803	88-108-102-080	0E	C-RES,U 1K-1/16W J	USM	CX-SNAJ310
X	MICON	R 0804	88-108-224-080	0E	C-RES,U 220K-1/16W J	EZSFD	CX-NSZ315
0 X	MICON	R 0804	88-108-224-080	0E	C-RES,U 220K-1/16W J	EZSFD	CX-NSZ310
0 X	MICON	R 0804	88-108-224-080	0E	C-RES,U 220K-1/16W J	KSFD	CX-NSZ310
0 X	MICON	R 0804	88-108-224-080	0E	C-RES,U 220K-1/16W J	LHSFD	CX-NSZ310
0 X	MICON	R 0804	88-108-224-080	0E	C-RES,U 220K-1/16W J	LHSFD	CX-NSZ510
0 X	MICON	R 0804	88-108-224-080	0E	C-RES,U 220K-1/16W J	USM	CX-SNAJ310
X	MICON	R 0805	88-108-273-080	0E	C-RES,U 27K-1/16W J	EZSFD	CX-NSZ315
0 X	MICON	R 0805	88-108-273-080	0E	C-RES,U 27K-1/16W J	EZSFD	CX-NSZ310
0 X	MICON	R 0805	88-108-273-080	0E	C-RES,U 27K-1/16W J	KSFD	CX-NSZ310
0 X	MICON	R 0805	88-108-273-080	0E	C-RES,U 27K-1/16W J	LHSFD	CX-NSZ310
0 X	MICON	R 0805	88-108-273-080	0E	C-RES,U 27K-1/16W J	LHSFD	CX-NSZ510
0 X	MICON	R 0805	88-108-273-080	0E	C-RES,U 27K-1/16W J	USM	CX-SNAJ310
X	MICON	R 0806	88-108-562-080	0E	C-RES,U 5.6K-1/16W J	EZSFD	CX-NSZ315
0 X	MICON	R 0806	88-108-562-080	0E	C-RES,U 5.6K-1/16W J	EZSFD	CX-NSZ310
0 X	MICON	R 0806	88-108-562-080	0E	C-RES,U 5.6K-1/16W J	KSFD	CX-NSZ310
0 X	MICON	R 0806	88-108-562-080	0E	C-RES,U 5.6K-1/16W J	LHSFD	CX-NSZ310
0 X	MICON	R 0806	88-108-562-080	0E	C-RES,U 5.6K-1/16W J	LHSFD	CX-NSZ510
0 X	MICON	R 0806	88-108-562-080	0E	C-RES,U 5.6K-1/16W J	USM	CX-SNAJ310
X	MICON	R 0807	88-108-000-080	0E	C-JUMPER,U	EZSFD	CX-NSZ315
0 X	MICON	R 0807	88-108-000-080	0E	C-JUMPER,U	EZSFD	CX-NSZ310

# PARTS LIST

! =  $\Delta$  SAFTY PARTS  
 C = Components marked

All components used on this model at the production line are shown in this service manual.

However, please note that not all components will be available as spare parts for after-sales service.

Components marked S and O are designated as spare parts for service and will be stocked at the spare parts centers.

Components marked X and R are not designated as spare parts for after sales service, and will not be stocked at the spare parts centers.

K NO. = Only use japanese.

! C	UNIT NAME	REF NO.	PARTS CODE	K NO.	DESCRIPTION	SUFFIX	MODEL NAME
0 X	MICON	R 0807	88-108-000-080	0E	C-JUMPER,U	KSFD	CX-NSZ310
0 X	MICON	R 0807	88-108-000-080	0E	C-JUMPER,U	LHSFD	CX-NSZ310
0 X	MICON	R 0807	88-108-000-080	0E	C-JUMPER,U	LHSFD	CX-NSZ510
0 X	MICON	R 0807	88-108-000-080	0E	C-JUMPER,U	USM	CX-SNAJ310
X	MICON	R 0808	88-121-101-080	0E	RES,100-1/8W J	EZSFD	CX-NSZ315
0 X	MICON	R 0808	88-121-101-080	0E	RES,100-1/8W J	EZSFD	CX-NSZ310
0 X	MICON	R 0808	88-121-101-080	0E	RES,100-1/8W J	KSFD	CX-NSZ310
0 X	MICON	R 0808	88-121-101-080	0E	RES,100-1/8W J	LHSFD	CX-NSZ310
0 X	MICON	R 0808	88-121-101-080	0E	RES,100-1/8W J	LHSFD	CX-NSZ510
0 X	MICON	R 0808	88-121-101-080	0E	RES,100-1/8W J	USM	CX-SNAJ310
X	MICON	R 0809	88-108-102-080	0E	C-RES,U 1K-1/16W J	EZSFD	CX-NSZ315
0 X	MICON	R 0809	88-108-102-080	0E	C-RES,U 1K-1/16W J	EZSFD	CX-NSZ310
0 X	MICON	R 0809	88-108-102-080	0E	C-RES,U 1K-1/16W J	KSFD	CX-NSZ310
0 X	MICON	R 0809	88-108-102-080	0E	C-RES,U 1K-1/16W J	LHSFD	CX-NSZ310
0 X	MICON	R 0809	88-108-102-080	0E	C-RES,U 1K-1/16W J	LHSFD	CX-NSZ510
0 X	MICON	R 0809	88-108-102-080	0E	C-RES,U 1K-1/16W J	USM	CX-SNAJ310
X	MICON	R 0810	88-108-272-080	0E	C-RES,U 2.7K-1/16W J	EZSFD	CX-NSZ315
0 X	MICON	R 0810	88-108-272-080	0E	C-RES,U 2.7K-1/16W J	EZSFD	CX-NSZ310
0 X	MICON	R 0810	88-108-272-080	0E	C-RES,U 2.7K-1/16W J	KSFD	CX-NSZ310
0 X	MICON	R 0810	88-108-272-080	0E	C-RES,U 2.7K-1/16W J	EZSFD	CX-NSZ310
0 X	MICON	R 0810	88-108-272-080	0E	C-RES,U 2.7K-1/16W J	LHSFD	CX-NSZ310
0 X	MICON	R 0810	88-108-272-080	0E	C-RES,U 2.7K-1/16W J	LHSFD	CX-NSZ510
0 X	MICON	R 0810	88-108-272-080	0E	C-RES,U 2.7K-1/16W J	USM	CX-SNAJ310
X	MICON	R 0811	88-108-104-080	0E	C-RES,U 100K-1/16W J	EZSFD	CX-NSZ315
0 X	MICON	R 0811	88-108-104-080	0E	C-RES,U 100K-1/16W J	EZSFD	CX-NSZ310
0 X	MICON	R 0811	88-108-104-080	0E	C-RES,U 100K-1/16W J	KSFD	CX-NSZ310
0 X	MICON	R 0811	88-108-104-080	0E	C-RES,U 100K-1/16W J	LHSFD	CX-NSZ310
0 X	MICON	R 0811	88-108-104-080	0E	C-RES,U 100K-1/16W J	LHSFD	CX-NSZ510
0 X	MICON	R 0811	88-108-104-080	0E	C-RES,U 100K-1/16W J	USM	CX-SNAJ310
X	MICON	R 0813	88-108-223-080	0E	C-RES,U 22K-1/16W J	EZSFD	CX-NSZ315
0 X	MICON	R 0813	88-108-223-080	0E	C-RES,U 22K-1/16W J	EZSFD	CX-NSZ310
0 X	MICON	R 0813	88-108-223-080	0E	C-RES,U 22K-1/16W J	KSFD	CX-NSZ310
0 X	MICON	R 0813	88-108-223-080	0E	C-RES,U 22K-1/16W J	LHSFD	CX-NSZ310
0 X	MICON	R 0813	88-108-223-080	0E	C-RES,U 22K-1/16W J	LHSFD	CX-NSZ510
0 X	MICON	R 0813	88-108-223-080	0E	C-RES,U 22K-1/16W J	USM	CX-SNAJ310
X	MICON	R 0815	88-108-272-080	0E	C-RES,U 2.7K-1/16W J	EZSFD	CX-NSZ315
0 X	MICON	R 0815	88-108-272-080	0E	C-RES,U 2.7K-1/16W J	EZSFD	CX-NSZ310
0 X	MICON	R 0815	88-108-272-080	0E	C-RES,U 2.7K-1/16W J	KSFD	CX-NSZ310
0 X	MICON	R 0815	88-108-272-080	0E	C-RES,U 2.7K-1/16W J	LHSFD	CX-NSZ310
0 X	MICON	R 0815	88-108-272-080	0E	C-RES,U 2.7K-1/16W J	LHSFD	CX-NSZ510
0 X	MICON	R 0815	88-108-272-080	0E	C-RES,U 2.7K-1/16W J	USM	CX-SNAJ310
X	MICON	R 0816	88-108-104-080	0E	C-RES,U 100K-1/16W J	EZSFD	CX-NSZ315
0 X	MICON	R 0816	88-108-104-080	0E	C-RES,U 100K-1/16W J	EZSFD	CX-NSZ310
0 X	MICON	R 0816	88-108-104-080	0E	C-RES,U 100K-1/16W J	KSFD	CX-NSZ310
0 X	MICON	R 0816	88-108-104-080	0E	C-RES,U 100K-1/16W J	LHSFD	CX-NSZ310
0 X	MICON	R 0816	88-108-104-080	0E	C-RES,U 100K-1/16W J	LHSFD	CX-NSZ510
0 X	MICON	R 0816	88-108-104-080	0E	C-RES,U 100K-1/16W J	USM	CX-SNAJ310
X	MICON	R 0818	88-108-223-080	0E	C-RES,U 22K-1/16W J	EZSFD	CX-NSZ315
0 X	MICON	R 0818	88-108-223-080	0E	C-RES,U 22K-1/16W J	EZSFD	CX-NSZ310
0 X	MICON	R 0818	88-108-223-080	0E	C-RES,U 22K-1/16W J	KSFD	CX-NSZ310
0 X	MICON	R 0818	88-108-223-080	0E	C-RES,U 22K-1/16W J	LHSFD	CX-NSZ310
0 X	MICON	R 0818	88-108-223-080	0E	C-RES,U 22K-1/16W J	LHSFD	CX-NSZ510
0 X	MICON	R 0818	88-108-223-080	0E	C-RES,U 22K-1/16W J	USM	CX-SNAJ310
X	MICON	R 0819	88-108-272-080	0E	C-RES,U 2.7K-1/16W J	EZSFD	CX-NSZ315
0 X	MICON	R 0819	88-108-272-080	0E	C-RES,U 2.7K-1/16W J	EZSFD	CX-NSZ310
0 X	MICON	R 0819	88-108-272-080	0E	C-RES,U 2.7K-1/16W J	KSFD	CX-NSZ310
0 X	MICON	R 0819	88-108-272-080	0E	C-RES,U 2.7K-1/16W J	LHSFD	CX-NSZ310
0 X	MICON	R 0819	88-108-272-080	0E	C-RES,U 2.7K-1/16W J	LHSFD	CX-NSZ510
0 X	MICON	R 0819	88-108-272-080	0E	C-RES,U 2.7K-1/16W J	USM	CX-SNAJ310
X	MICON	R 0821	88-108-104-080	0E	C-RES,U 100K-1/16W J	EZSFD	CX-NSZ315
0 X	MICON	R 0821	88-108-104-080	0E	C-RES,U 100K-1/16W J	EZSFD	CX-NSZ310
0 X	MICON	R 0821	88-108-104-080	0E	C-RES,U 100K-1/16W J	KSFD	CX-NSZ310
0 X	MICON	R 0821	88-108-104-080	0E	C-RES,U 100K-1/16W J	LHSFD	CX-NSZ510
X	MICON	R 0822	88-108-223-080	0E	C-RES,U 22K-1/16W J	EZSFD	CX-NSZ315
0 X	MICON	R 0822	88-108-223-080	0E	C-RES,U 22K-1/16W J	EZSFD	CX-NSZ310
0 X	MICON	R 0822	88-108-223-080	0E	C-RES,U 22K-1/16W J	KSFD	CX-NSZ310
0 X	MICON	R 0822	88-108-223-080	0E	C-RES,U 22K-1/16W J	LHSFD	CX-NSZ310
0 X	MICON	R 0822	88-108-223-080	0E	C-RES,U 22K-1/16W J	LHSFD	CX-NSZ510
0 X	MICON	R 0822	88-108-223-080	0E	C-RES,U 22K-1/16W J	USM	CX-SNAJ310

# PARTS LIST

! =  $\Delta$  SAFTY PARTS  
 C = Components marked

All components used on this model at the production line are shown in this service manual.

However, please note that not all components will be available as spare parts for after-sales service.

Components marked S and O are designated as spare parts for service and will be stocked at the spare parts centers.

Components marked X and R are not designated as spare parts for after sales service, and will not be stocked at the spare parts centers.

K NO. = Only use japanese.

! C	UNIT NAME	REF NO.	PARTS CODE	K NO.	DESCRIPTION	SUFFIX	MODEL NAME
	X MICON	R 0823	88-121-101-080	0E	RES,100-1/8W J	EZSFD	CX-NSZ315
0 X	MICON	R 0823	88-121-101-080	0E	RES,100-1/8W J	EZSFD	CX-NSZ310
0 X	MICON	R 0823	88-121-101-080	0E	RES,100-1/8W J	KSFD	CX-NSZ310
0 X	MICON	R 0823	88-121-101-080	0E	RES,100-1/8W J	LHSFD	CX-NSZ310
0 X	MICON	R 0823	88-121-101-080	0E	RES,100-1/8W J	LHSFD	CX-NSZ510
0 X	MICON	R 0823	88-121-101-080	0E	RES,100-1/8W J	USM	CX-SNAJ310
X	MICON	R 0824	88-121-101-080	0E	RES,100-1/8W J	EZSFD	CX-NSZ315
0 X	MICON	R 0824	88-121-101-080	0E	RES,100-1/8W J	EZSFD	CX-NSZ310
0 X	MICON	R 0824	88-121-101-080	0E	RES,100-1/8W J	KSFD	CX-NSZ310
0 X	MICON	R 0824	88-121-101-080	0E	RES,100-1/8W J	LHSFD	CX-NSZ310
0 X	MICON	R 0824	88-121-101-080	0E	RES,100-1/8W J	LHSFD	CX-NSZ510
0 X	MICON	R 0824	88-121-101-080	0E	RES,100-1/8W J	USM	CX-SNAJ310
X	MICON	R 0825	88-121-101-080	0E	RES,100-1/8W J	EZSFD	CX-NSZ315
0 X	MICON	R 0825	88-121-101-080	0E	RES,100-1/8W J	EZSFD	CX-NSZ310
0 X	MICON	R 0825	88-121-101-080	0E	RES,100-1/8W J	KSFD	CX-NSZ310
0 X	MICON	R 0825	88-121-101-080	0E	RES,100-1/8W J	LHSFD	CX-NSZ310
0 X	MICON	R 0825	88-121-101-080	0E	RES,100-1/8W J	LHSFD	CX-NSZ510
0 X	MICON	R 0825	88-121-101-080	0E	RES,100-1/8W J	USM	CX-SNAJ310
X	MICON	R 0826	88-108-000-080	0E	C-JUMPER,U	EZSFD	CX-NSZ315
0 X	MICON	R 0826	88-108-000-080	0E	C-JUMPER,U	EZSFD	CX-NSZ310
0 X	MICON	R 0826	88-108-000-080	0E	C-JUMPER,U	KSFD	CX-NSZ310
0 X	MICON	R 0826	88-108-000-080	0E	C-JUMPER,U	LHSFD	CX-NSZ310
0 X	MICON	R 0826	88-108-000-080	0E	C-JUMPER,U	USM	CX-SNAJ310
X	MICON	R 0827	88-108-103-080	0E	C-RES,U 10K-1/16W J	EZSFD	CX-NSZ315
0 X	MICON	R 0827	88-108-103-080	0E	C-RES,U 10K-1/16W J	EZSFD	CX-NSZ310
0 X	MICON	R 0827	88-108-103-080	0E	C-RES,U 10K-1/16W J	KSFD	CX-NSZ310
0 X	MICON	R 0827	88-108-103-080	0E	C-RES,U 10K-1/16W J	LHSFD	CX-NSZ310
0 X	MICON	R 0827	88-108-103-080	0E	C-RES,U 10K-1/16W J	LHSFD	CX-NSZ510
0 X	MICON	R 0827	88-108-103-080	0E	C-RES,U 10K-1/16W J	USM	CX-SNAJ310
X	MICON	R 0901	88-108-104-080	0E	C-RES,U 100K-1/16W J	EZSFD	CX-NSZ315
0 X	MICON	R 0901	88-108-104-080	0E	C-RES,U 100K-1/16W J	EZSFD	CX-NSZ310
0 X	MICON	R 0901	88-108-104-080	0E	C-RES,U 100K-1/16W J	KSFD	CX-NSZ310
0 X	MICON	R 0901	88-108-104-080	0E	C-RES,U 100K-1/16W J	LHSFD	CX-NSZ310
0 X	MICON	R 0901	88-108-104-080	0E	C-RES,U 100K-1/16W J	LHSFD	CX-NSZ510
0 X	MICON	R 0901	88-108-104-080	0E	C-RES,U 100K-1/16W J	USM	CX-SNAJ310
X	MICON	R 0902	88-108-104-080	0E	C-RES,U 100K-1/16W J	EZSFD	CX-NSZ315
0 X	MICON	R 0902	88-108-104-080	0E	C-RES,U 100K-1/16W J	EZSFD	CX-NSZ310
0 X	MICON	R 0902	88-108-104-080	0E	C-RES,U 100K-1/16W J	KSFD	CX-NSZ310
0 X	MICON	R 0902	88-108-104-080	0E	C-RES,U 100K-1/16W J	LHSFD	CX-NSZ310
0 X	MICON	R 0902	88-108-104-080	0E	C-RES,U 100K-1/16W J	LHSFD	CX-NSZ510
0 X	MICON	R 0902	88-108-104-080	0E	C-RES,U 100K-1/16W J	USM	CX-SNAJ310
X	MICON	R 0904	88-108-104-080	0E	C-RES,U 100K-1/16W J	EZSFD	CX-NSZ315
0 X	MICON	R 0904	88-108-104-080	0E	C-RES,U 100K-1/16W J	EZSFD	CX-NSZ310
0 X	MICON	R 0904	88-108-104-080	0E	C-RES,U 100K-1/16W J	KSFD	CX-NSZ310
0 X	MICON	R 0904	88-108-104-080	0E	C-RES,U 100K-1/16W J	LHSFD	CX-NSZ310
0 X	MICON	R 0904	88-108-104-080	0E	C-RES,U 100K-1/16W J	LHSFD	CX-NSZ510
X	MICON	R 0905	88-108-104-080	0E	C-RES,U 100K-1/16W J	EZSFD	CX-NSZ315
0 X	MICON	R 0905	88-108-104-080	0E	C-RES,U 100K-1/16W J	EZSFD	CX-NSZ310
0 X	MICON	R 0905	88-108-104-080	0E	C-RES,U 100K-1/16W J	KSFD	CX-NSZ310
0 X	MICON	R 0905	88-108-104-080	0E	C-RES,U 100K-1/16W J	LHSFD	CX-NSZ310
0 X	MICON	R 0905	88-108-104-080	0E	C-RES,U 100K-1/16W J	LHSFD	CX-NSZ510
0 X	MICON	R 0905	88-108-104-080	0E	C-RES,U 100K-1/16W J	USM	CX-SNAJ310
X	MICON	R 0906	88-108-104-080	0E	C-RES,U 100K-1/16W J	EZSFD	CX-NSZ315
0 X	MICON	R 0906	88-108-104-080	0E	C-RES,U 100K-1/16W J	EZSFD	CX-NSZ310
0 X	MICON	R 0906	88-108-104-080	0E	C-RES,U 100K-1/16W J	KSFD	CX-NSZ310
0 X	MICON	R 0906	88-108-104-080	0E	C-RES,U 100K-1/16W J	LHSFD	CX-NSZ310
0 X	MICON	R 0906	88-108-104-080	0E	C-RES,U 100K-1/16W J	LHSFD	CX-NSZ510
0 X	MICON	R 0906	88-108-104-080	0E	C-RES,U 100K-1/16W J	USM	CX-SNAJ310
X	MICON	R 0907	88-108-104-080	0E	C-RES,U 100K-1/16W J	EZSFD	CX-NSZ315
0 X	MICON	R 0907	88-108-104-080	0E	C-RES,U 100K-1/16W J	EZSFD	CX-NSZ310
0 X	MICON	R 0907	88-108-104-080	0E	C-RES,U 100K-1/16W J	KSFD	CX-NSZ310
0 X	MICON	R 0907	88-108-104-080	0E	C-RES,U 100K-1/16W J	LHSFD	CX-NSZ310

# PARTS LIST

- ! =  $\Delta$  SAFETY PARTS
- C = Components marked

All components used on this model at the production line are shown in this service manual.

However, please note that not all components will be available as spare parts for after-sales service.

Components marked S and O are designated as spare parts for service and will be stocked at the spare parts centers.

Components marked X and R are not designated as spare parts for after sales service, and will not be stocked at the spare parts centers.

K NO. = Only use japanese.

! C	UNIT NAME	REF NO.	PARTS CODE	K NO.	DESCRIPTION	SUFFIX	MODEL NAME
0 X	MICON	R 0907	88-108-104-080	0E	C-RES,U 100K-1/16W J	LHSFD	CX-NSZ510
0 X	MICON	R 0907	88-108-104-080	0E	C-RES,U 100K-1/16W J	USM	CX-SNAJ310
X	MICON	R 0908	88-108-104-080	0E	C-RES,U 100K-1/16W J	EZSFD	CX-NSZ315
0 X	MICON	R 0908	88-108-104-080	0E	C-RES,U 100K-1/16W J	EZSFD	CX-NSZ310
0 X	MICON	R 0908	88-108-104-080	0E	C-RES,U 100K-1/16W J	KSFD	CX-NSZ310
0 X	MICON	R 0908	88-108-104-080	0E	C-RES,U 100K-1/16W J	LHSFD	CX-NSZ310
0 X	MICON	R 0908	88-108-104-080	0E	C-RES,U 100K-1/16W J	LHSFD	CX-NSZ510
0 X	MICON	R 0908	88-108-104-080	0E	C-RES,U 100K-1/16W J	USM	CX-SNAJ310
X	MICON	R 0909	88-108-104-080	0E	C-RES,U 100K-1/16W J	EZSFD	CX-NSZ315
0 X	MICON	R 0909	88-108-104-080	0E	C-RES,U 100K-1/16W J	EZSFD	CX-NSZ310
0 X	MICON	R 0909	88-108-104-080	0E	C-RES,U 100K-1/16W J	KSFD	CX-NSZ310
0 X	MICON	R 0909	88-108-104-080	0E	C-RES,U 100K-1/16W J	LHSFD	CX-NSZ310
0 X	MICON	R 0909	88-108-104-080	0E	C-RES,U 100K-1/16W J	LHSFD	CX-NSZ510
0 X	MICON	R 0909	88-108-104-080	0E	C-RES,U 100K-1/16W J	USM	CX-SNAJ310
0 X	MICON	R 0910	88-108-104-080	0E	C-RES,U 100K-1/16W J	EZSFD	CX-NSZ315
0 X	MICON	R 0910	88-108-104-080	0E	C-RES,U 100K-1/16W J	EZSFD	CX-NSZ310
0 X	MICON	R 0910	88-108-104-080	0E	C-RES,U 100K-1/16W J	LHSFD	CX-NSZ310
0 X	MICON	R 0910	88-108-104-080	0E	C-RES,U 100K-1/16W J	LHSFD	CX-NSZ310
0 X	MICON	R 0910	88-108-104-080	0E	C-RES,U 100K-1/16W J	LHSFD	CX-NSZ510
0 X	MICON	R 0910	88-108-104-080	0E	C-RES,U 100K-1/16W J	USM	CX-SNAJ310
X	MICON	R 0911	88-108-104-080	0E	C-RES,U 100K-1/16W J	EZSFD	CX-NSZ315
0 X	MICON	R 0911	88-108-104-080	0E	C-RES,U 100K-1/16W J	EZSFD	CX-NSZ310
0 X	MICON	R 0911	88-108-104-080	0E	C-RES,U 100K-1/16W J	KSFD	CX-NSZ310
0 X	MICON	R 0911	88-108-104-080	0E	C-RES,U 100K-1/16W J	LHSFD	CX-NSZ310
0 X	MICON	R 0911	88-108-104-080	0E	C-RES,U 100K-1/16W J	LHSFD	CX-NSZ510
0 X	MICON	R 0911	88-108-104-080	0E	C-RES,U 100K-1/16W J	USM	CX-SNAJ310
X	MICON	R 0912	88-108-104-080	0E	C-RES,U 100K-1/16W J	EZSFD	CX-NSZ315
0 X	MICON	R 0912	88-108-104-080	0E	C-RES,U 100K-1/16W J	EZSFD	CX-NSZ310
0 X	MICON	R 0912	88-108-104-080	0E	C-RES,U 100K-1/16W J	KSFD	CX-NSZ310
0 X	MICON	R 0912	88-108-104-080	0E	C-RES,U 100K-1/16W J	LHSFD	CX-NSZ310
0 X	MICON	R 0912	88-108-104-080	0E	C-RES,U 100K-1/16W J	LHSFD	CX-NSZ510
0 X	MICON	R 0912	88-108-104-080	0E	C-RES,U 100K-1/16W J	USM	CX-SNAJ310
0 X	MICON	R 0913	88-108-104-080	0E	C-RES,U 100K-1/16W J	EZSFD	CX-NSZ315
0 X	MICON	R 0913	88-108-104-080	0E	C-RES,U 100K-1/16W J	EZSFD	CX-NSZ310
X	MICON	R 0913	88-108-104-080	0E	C-RES,U 100K-1/16W J	EZSFD	CX-NSZ315
0 X	MICON	R 0913	88-108-104-080	0E	C-RES,U 100K-1/16W J	EZSFD	CX-NSZ310
0 X	MICON	R 0913	88-108-104-080	0E	C-RES,U 100K-1/16W J	LHSFD	CX-NSZ510
0 X	MICON	R 0913	88-108-104-080	0E	C-RES,U 100K-1/16W J	USM	CX-SNAJ310
X	MICON	R 0914	88-108-104-080	0E	C-RES,U 100K-1/16W J	EZSFD	CX-NSZ315
0 X	MICON	R 0914	88-108-104-080	0E	C-RES,U 100K-1/16W J	EZSFD	CX-NSZ310
0 X	MICON	R 0914	88-108-104-080	0E	C-RES,U 100K-1/16W J	KSFD	CX-NSZ310
0 X	MICON	R 0914	88-108-104-080	0E	C-RES,U 100K-1/16W J	LHSFD	CX-NSZ310
0 X	MICON	R 0914	88-108-104-080	0E	C-RES,U 100K-1/16W J	LHSFD	CX-NSZ510
0 X	MICON	R 0914	88-108-104-080	0E	C-RES,U 100K-1/16W J	USM	CX-SNAJ310
X	MICON	R 0915	88-108-104-080	0E	C-RES,U 100K-1/16W J	EZSFD	CX-NSZ315
0 X	MICON	R 0915	88-108-104-080	0E	C-RES,U 100K-1/16W J	EZSFD	CX-NSZ310
0 X	MICON	R 0915	88-108-104-080	0E	C-RES,U 100K-1/16W J	KSFD	CX-NSZ310
0 X	MICON	R 0915	88-108-104-080	0E	C-RES,U 100K-1/16W J	LHSFD	CX-NSZ310
0 X	MICON	R 0915	88-108-104-080	0E	C-RES,U 100K-1/16W J	LHSFD	CX-NSZ510
0 X	MICON	R 0915	88-108-104-080	0E	C-RES,U 100K-1/16W J	USM	CX-SNAJ310
X	MICON	R 0916	88-108-104-080	0E	C-RES,U 100K-1/16W J	EZSFD	CX-NSZ315
0 X	MICON	R 0916	88-108-104-080	0E	C-RES,U 100K-1/16W J	EZSFD	CX-NSZ310
0 X	MICON	R 0916	88-108-104-080	0E	C-RES,U 100K-1/16W J	KSFD	CX-NSZ310
0 X	MICON	R 0916	88-108-104-080	0E	C-RES,U 100K-1/16W J	LHSFD	CX-NSZ310
0 X	MICON	R 0916	88-108-104-080	0E	C-RES,U 100K-1/16W J	LHSFD	CX-NSZ510
0 X	MICON	R 0916	88-108-104-080	0E	C-RES,U 100K-1/16W J	USM	CX-SNAJ310
X	MICON	R 0917	88-108-104-080	0E	C-RES,U 100K-1/16W J	EZSFD	CX-NSZ315
0 X	MICON	R 0917	88-108-104-080	0E	C-RES,U 100K-1/16W J	EZSFD	CX-NSZ310
0 X	MICON	R 0917	88-108-104-080	0E	C-RES,U 100K-1/16W J	KSFD	CX-NSZ310
0 X	MICON	R 0917	88-108-104-080	0E	C-RES,U 100K-1/16W J	LHSFD	CX-NSZ310
0 X	MICON	R 0917	88-108-104-080	0E	C-RES,U 100K-1/16W J	LHSFD	CX-NSZ510
0 X	MICON	R 0917	88-108-104-080	0E	C-RES,U 100K-1/16W J	USM	CX-SNAJ310
X	MICON	R 0918	88-108-104-080	0E	C-RES,U 100K-1/16W J	EZSFD	CX-NSZ315
0 X	MICON	R 0918	88-108-104-080	0E	C-RES,U 100K-1/16W J	EZSFD	CX-NSZ310
0 X	MICON	R 0918	88-108-104-080	0E	C-RES,U 100K-1/16W J	KSFD	CX-NSZ310
0 X	MICON	R 0918	88-108-104-080	0E	C-RES,U 100K-1/16W J	LHSFD	CX-NSZ310
0 X	MICON	R 0918	88-108-104-080	0E	C-RES,U 100K-1/16W J	LHSFD	CX-NSZ510
0 X	MICON	R 0918	88-108-104-080	0E	C-RES,U 100K-1/16W J	USM	CX-SNAJ310
X	MICON	R 0919	88-108-104-080	0E	C-RES,U 100K-1/16W J	EZSFD	CX-NSZ315
0 X	MICON	R 0919	88-108-104-080	0E	C-RES,U 100K-1/16W J	EZSFD	CX-NSZ310

# PARTS LIST

! =  $\Delta$  SAFTY PARTS  
 C = Components marked

All components used on this model at the production line are shown in this service manual.

However, please note that not all components will be available as spare parts for after-sales service.

Components marked S and O are designated as spare parts for service and will be stocked at the spare parts centers.

Components marked X and R are not designated as spare parts for after sales service, and will not be stocked at the spare parts centers.

K NO. = Only use japanese.

! C	UNIT NAME	REF NO.	PARTS CODE	K NO.	DESCRIPTION	SUFFIX	MODEL NAME
0 X	MICON	R 0919	88-108-104-080	0E	C-RES,U 100K-1/16W J	KSFD	CX-NSZ310
0 X	MICON	R 0919	88-108-104-080	0E	C-RES,U 100K-1/16W J	LHSFD	CX-NSZ310
0 X	MICON	R 0919	88-108-104-080	0E	C-RES,U 100K-1/16W J	LHSFD	CX-NSZ510
0 X	MICON	R 0919	88-108-104-080	0E	C-RES,U 100K-1/16W J	USM	CX-SNAJ310
X	MICON	R 0920	88-108-104-080	0E	C-RES,U 100K-1/16W J	EZSFD	CX-NSZ315
0 X	MICON	R 0920	88-108-104-080	0E	C-RES,U 100K-1/16W J	EZSFD	CX-NSZ310
0 X	MICON	R 0920	88-108-104-080	0E	C-RES,U 100K-1/16W J	KSFD	CX-NSZ310
0 X	MICON	R 0920	88-108-104-080	0E	C-RES,U 100K-1/16W J	LHSFD	CX-NSZ310
0 X	MICON	R 0920	88-108-104-080	0E	C-RES,U 100K-1/16W J	LHSFD	CX-NSZ510
0 X	MICON	R 0920	88-108-104-080	0E	C-RES,U 100K-1/16W J	USM	CX-SNAJ310
X	MICON	R 0921	88-108-104-080	0E	C-RES,U 100K-1/16W J	EZSFD	CX-NSZ315
0 X	MICON	R 0921	88-108-104-080	0E	C-RES,U 100K-1/16W J	EZSFD	CX-NSZ310
0 X	MICON	R 0921	88-108-104-080	0E	C-RES,U 100K-1/16W J	KSFD	CX-NSZ310
0 X	MICON	R 0921	88-108-104-080	0E	C-RES,U 100K-1/16W J	LHSFD	CX-NSZ310
0 X	MICON	R 0921	88-108-104-080	0E	C-RES,U 100K-1/16W J	LHSFD	CX-NSZ510
0 X	MICON	R 0921	88-108-104-080	0E	C-RES,U 100K-1/16W J	USM	CX-SNAJ310
X	MICON	R 0922	88-108-104-080	0E	C-RES,U 100K-1/16W J	EZSFD	CX-NSZ315
0 X	MICON	R 0922	88-108-104-080	0E	C-RES,U 100K-1/16W J	EZSFD	CX-NSZ310
0 X	MICON	R 0922	88-108-104-080	0E	C-RES,U 100K-1/16W J	KSFD	CX-NSZ310
0 X	MICON	R 0922	88-108-104-080	0E	C-RES,U 100K-1/16W J	LHSFD	CX-NSZ310
0 X	MICON	R 0922	88-108-104-080	0E	C-RES,U 100K-1/16W J	LHSFD	CX-NSZ510
0 X	MICON	R 0922	88-108-104-080	0E	C-RES,U 100K-1/16W J	USM	CX-SNAJ310
0 X	MICON	R 0923	88-108-104-080	0E	C-RES,U 100K-1/16W J	EZSFD	CX-NSZ315
0 X	MICON	R 0923	88-108-104-080	0E	C-RES,U 100K-1/16W J	EZSFD	CX-NSZ310
X	MICON	R 0923	88-108-104-080	0E	C-RES,U 100K-1/16W J	EZSFD	CX-NSZ315
0 X	MICON	R 0923	88-108-104-080	0E	C-RES,U 100K-1/16W J	KSFD	CX-NSZ310
0 X	MICON	R 0923	88-108-104-080	0E	C-RES,U 100K-1/16W J	LHSFD	CX-NSZ310
0 X	MICON	R 0923	88-108-104-080	0E	C-RES,U 100K-1/16W J	LHSFD	CX-NSZ510
0 X	MICON	R 0923	88-108-104-080	0E	C-RES,U 100K-1/16W J	USM	CX-SNAJ310
X	MICON	R 0924	88-108-104-080	0E	C-RES,U 100K-1/16W J	EZSFD	CX-NSZ315
0 X	MICON	R 0924	88-108-104-080	0E	C-RES,U 100K-1/16W J	EZSFD	CX-NSZ310
0 X	MICON	R 0924	88-108-104-080	0E	C-RES,U 100K-1/16W J	KSFD	CX-NSZ310
0 X	MICON	R 0924	88-108-104-080	0E	C-RES,U 100K-1/16W J	LHSFD	CX-NSZ310
0 X	MICON	R 0924	88-108-104-080	0E	C-RES,U 100K-1/16W J	LHSFD	CX-NSZ510
0 X	MICON	R 0924	88-108-104-080	0E	C-RES,U 100K-1/16W J	USM	CX-SNAJ310
X	MICON	R 0925	88-108-104-080	0E	C-RES,U 100K-1/16W J	EZSFD	CX-NSZ315
0 X	MICON	R 0925	88-108-104-080	0E	C-RES,U 100K-1/16W J	EZSFD	CX-NSZ310
0 X	MICON	R 0925	88-108-104-080	0E	C-RES,U 100K-1/16W J	KSFD	CX-NSZ310
0 X	MICON	R 0925	88-108-104-080	0E	C-RES,U 100K-1/16W J	LHSFD	CX-NSZ310
0 X	MICON	R 0925	88-108-104-080	0E	C-RES,U 100K-1/16W J	LHSFD	CX-NSZ510
0 X	MICON	R 0925	88-108-104-080	0E	C-RES,U 100K-1/16W J	USM	CX-SNAJ310
X	MICON	R 0926	88-108-104-080	0E	C-RES,U 100K-1/16W J	EZSFD	CX-NSZ315
0 X	MICON	R 0926	88-108-104-080	0E	C-RES,U 100K-1/16W J	EZSFD	CX-NSZ310
0 X	MICON	R 0926	88-108-104-080	0E	C-RES,U 100K-1/16W J	KSFD	CX-NSZ310
0 X	MICON	R 0926	88-108-104-080	0E	C-RES,U 100K-1/16W J	LHSFD	CX-NSZ310
0 X	MICON	R 0926	88-108-104-080	0E	C-RES,U 100K-1/16W J	LHSFD	CX-NSZ510
X	MICON	R 0926	88-108-104-080	0E	C-RES,U 100K-1/16W J	USM	CX-SNAJ310
X	MICON	R 0927	88-108-104-080	0E	C-RES,U 100K-1/16W J	EZSFD	CX-NSZ315
0 X	MICON	R 0927	88-108-104-080	0E	C-RES,U 100K-1/16W J	EZSFD	CX-NSZ310
0 X	MICON	R 0927	88-108-104-080	0E	C-RES,U 100K-1/16W J	KSFD	CX-NSZ310
0 X	MICON	R 0927	88-108-104-080	0E	C-RES,U 100K-1/16W J	LHSFD	CX-NSZ310
0 X	MICON	R 0927	88-108-104-080	0E	C-RES,U 100K-1/16W J	LHSFD	CX-NSZ510
0 X	MICON	R 0927	88-108-104-080	0E	C-RES,U 100K-1/16W J	USM	CX-SNAJ310
X	MICON	R 0928	88-108-104-080	0E	C-RES,U 100K-1/16W J	EZSFD	CX-NSZ315
0 X	MICON	R 0928	88-108-104-080	0E	C-RES,U 100K-1/16W J	EZSFD	CX-NSZ310
0 X	MICON	R 0928	88-108-104-080	0E	C-RES,U 100K-1/16W J	KSFD	CX-NSZ310
0 X	MICON	R 0928	88-108-104-080	0E	C-RES,U 100K-1/16W J	LHSFD	CX-NSZ310
0 X	MICON	R 0928	88-108-104-080	0E	C-RES,U 100K-1/16W J	LHSFD	CX-NSZ510
0 X	MICON	R 0928	88-108-104-080	0E	C-RES,U 100K-1/16W J	USM	CX-SNAJ310
X	MICON	R 0929	88-108-104-080	0E	C-RES,U 100K-1/16W J	EZSFD	CX-NSZ315
0 X	MICON	R 0929	88-108-104-080	0E	C-RES,U 100K-1/16W J	EZSFD	CX-NSZ310
0 X	MICON	R 0929	88-108-104-080	0E	C-RES,U 100K-1/16W J	KSFD	CX-NSZ310
0 X	MICON	R 0929	88-108-104-080	0E	C-RES,U 100K-1/16W J	LHSFD	CX-NSZ310
0 X	MICON	R 0929	88-108-104-080	0E	C-RES,U 100K-1/16W J	LHSFD	CX-NSZ510
X	MICON	R 0930	88-108-104-080	0E	C-RES,U 100K-1/16W J	EZSFD	CX-NSZ315
0 X	MICON	R 0930	88-108-104-080	0E	C-RES,U 100K-1/16W J	EZSFD	CX-NSZ310
0 X	MICON	R 0930	88-108-104-080	0E	C-RES,U 100K-1/16W J	KSFD	CX-NSZ310
0 X	MICON	R 0930	88-108-104-080	0E	C-RES,U 100K-1/16W J	LHSFD	CX-NSZ310
0 X	MICON	R 0930	88-108-104-080	0E	C-RES,U 100K-1/16W J	LHSFD	CX-NSZ510
0 X	MICON	R 0930	88-108-104-080	0E	C-RES,U 100K-1/16W J	USM	CX-SNAJ310

# PARTS LIST

! =  $\Delta$  SAFTY PARTS  
 C = Components marked

All components used on this model at the production line are shown in this service manual.

However, please note that not all components will be available as spare parts for after-sales service.

Components marked S and O are designated as spare parts for service and will be stocked at the spare parts centers.

Components marked X and R are not designated as spare parts for after sales service, and will not be stocked at the spare parts centers.

K NO. = Only use japanese.

! C	UNIT NAME	REF NO.	PARTS CODE	K NO.	DESCRIPTION	SUFFIX	MODEL NAME
	X MICON	R 0931	88-108-104-080	0E	C-RES,U 100K-1/16W J	EZSFD	CX-NSZ315
0 X	MICON	R 0931	88-108-104-080	0E	C-RES,U 100K-1/16W J	EZSFD	CX-NSZ310
0 X	MICON	R 0931	88-108-104-080	0E	C-RES,U 100K-1/16W J	KSFD	CX-NSZ310
0 X	MICON	R 0931	88-108-104-080	0E	C-RES,U 100K-1/16W J	LHSFD	CX-NSZ310
0 X	MICON	R 0931	88-108-104-080	0E	C-RES,U 100K-1/16W J	LHSFD	CX-NSZ510
0 X	MICON	R 0931	88-108-104-080	0E	C-RES,U 100K-1/16W J	USM	CX-SNAJ310
X	MICON	R 0932	88-108-104-080	0E	C-RES,U 100K-1/16W J	EZSFD	CX-NSZ315
0 X	MICON	R 0932	88-108-104-080	0E	C-RES,U 100K-1/16W J	EZSFD	CX-NSZ310
0 X	MICON	R 0932	88-108-104-080	0E	C-RES,U 100K-1/16W J	KSFD	CX-NSZ310
0 X	MICON	R 0932	88-108-104-080	0E	C-RES,U 100K-1/16W J	LHSFD	CX-NSZ310
0 X	MICON	R 0932	88-108-104-080	0E	C-RES,U 100K-1/16W J	LHSFD	CX-NSZ510
0 X	MICON	R 0932	88-108-104-080	0E	C-RES,U 100K-1/16W J	USM	CX-SNAJ310
X	MICON	R 0933	88-108-104-080	0E	C-RES,U 100K-1/16W J	EZSFD	CX-NSZ315
0 X	MICON	R 0933	88-108-104-080	0E	C-RES,U 100K-1/16W J	EZSFD	CX-NSZ310
0 X	MICON	R 0933	88-108-104-080	0E	C-RES,U 100K-1/16W J	KSFD	CX-NSZ310
0 X	MICON	R 0933	88-108-104-080	0E	C-RES,U 100K-1/16W J	LHSFD	CX-NSZ310
0 X	MICON	R 0933	88-108-104-080	0E	C-RES,U 100K-1/16W J	LHSFD	CX-NSZ510
0 X	MICON	R 0933	88-108-104-080	0E	C-RES,U 100K-1/16W J	USM	CX-SNAJ310
X	MICON	R 0933	88-108-683-080	0E	C-RES,U 68K-1/16W J	EZSFD	CX-NSZ315
X	MICON	R 0934	88-108-683-080	0E	C-RES,U 68K-1/16W J	EZSFD	CX-NSZ315
0 X	MICON	R 0934	88-108-683-080	0E	C-RES,U 68K-1/16W J	EZSFD	CX-NSZ310
0 X	MICON	R 0934	88-108-683-080	0E	C-RES,U 68K-1/16W J	KSFD	CX-NSZ310
0 X	MICON	R 0934	88-108-683-080	0E	C-RES,U 68K-1/16W J	LHSFD	CX-NSZ310
0 X	MICON	R 0934	88-108-683-080	0E	C-RES,U 68K-1/16W J	LHSFD	CX-NSZ510
0 X	MICON	R 0934	88-108-683-080	0E	C-RES,U 68K-1/16W J	USM	CX-SNAJ310
X	MICON	R 0935	88-108-683-080	0E	C-RES,U 68K-1/16W J	EZSFD	CX-NSZ315
0 X	MICON	R 0935	88-108-683-080	0E	C-RES,U 68K-1/16W J	EZSFD	CX-NSZ310
0 X	MICON	R 0935	88-108-683-080	0E	C-RES,U 68K-1/16W J	KSFD	CX-NSZ310
0 X	MICON	R 0935	88-108-683-080	0E	C-RES,U 68K-1/16W J	LHSFD	CX-NSZ310
0 X	MICON	R 0935	88-108-683-080	0E	C-RES,U 68K-1/16W J	LHSFD	CX-NSZ510
0 X	MICON	R 0935	88-108-683-080	0E	C-RES,U 68K-1/16W J	USM	CX-SNAJ310
X	MICON	R 0936	88-108-104-080	0E	C-RES,U 100K-1/16W J	EZSFD	CX-NSZ315
0 X	MICON	R 0936	88-108-104-080	0E	C-RES,U 100K-1/16W J	EZSFD	CX-NSZ310
0 X	MICON	R 0936	88-108-104-080	0E	C-RES,U 100K-1/16W J	KSFD	CX-NSZ310
0 X	MICON	R 0936	88-108-104-080	0E	C-RES,U 100K-1/16W J	LHSFD	CX-NSZ310
0 X	MICON	R 0936	88-108-104-080	0E	C-RES,U 100K-1/16W J	LHSFD	CX-NSZ510
0 X	MICON	R 0936	88-108-104-080	0E	C-RES,U 100K-1/16W J	USM	CX-SNAJ310
X	MICON	R 0937	88-108-472-080	0E	C-RES,U 4.7K-1/16W J	EZSFD	CX-NSZ315
0 X	MICON	R 0937	88-108-472-080	0E	C-RES,U 4.7K-1/16W J	EZSFD	CX-NSZ310
0 X	MICON	R 0937	88-108-472-080	0E	C-RES,U 4.7K-1/16W J	KSFD	CX-NSZ310
0 X	MICON	R 0937	88-108-472-080	0E	C-RES,U 4.7K-1/16W J	LHSFD	CX-NSZ310
0 X	MICON	R 0937	88-108-472-080	0E	C-RES,U 4.7K-1/16W J	LHSFD	CX-NSZ510
0 X	MICON	R 0937	88-108-472-080	0E	C-RES,U 4.7K-1/16W J	USM	CX-SNAJ310
X	MICON	R 0938	88-108-472-080	0E	C-RES,U 4.7K-1/16W J	EZSFD	CX-NSZ315
0 X	MICON	R 0938	88-108-472-080	0E	C-RES,U 4.7K-1/16W J	EZSFD	CX-NSZ310
0 X	MICON	R 0938	88-108-472-080	0E	C-RES,U 4.7K-1/16W J	KSFD	CX-NSZ310
0 X	MICON	R 0938	88-108-472-080	0E	C-RES,U 4.7K-1/16W J	LHSFD	CX-NSZ310
0 X	MICON	R 0938	88-108-472-080	0E	C-RES,U 4.7K-1/16W J	LHSFD	CX-NSZ510
0 X	MICON	R 0938	88-108-472-080	0E	C-RES,U 4.7K-1/16W J	USM	CX-SNAJ310
X	MICON	R 0939	88-128-472-080	0E	C-RES, 4.7K-1/8W J	EZSFD	CX-NSZ315
0 X	MICON	R 0939	88-128-472-080	0E	C-RES, 4.7K-1/8W J	EZSFD	CX-NSZ310
0 X	MICON	R 0939	88-128-472-080	0E	C-RES, 4.7K-1/8W J	KSFD	CX-NSZ310
0 X	MICON	R 0939	88-128-472-080	0E	C-RES, 4.7K-1/8W J	LHSFD	CX-NSZ510
0 X	MICON	R 0939	88-128-472-080	0E	C-RES, 4.7K-1/8W J	USM	CX-SNAJ310
X	MICON	R 0940	88-121-104-080	0E	RES,100K-1/8W J	EZSFD	CX-NSZ315
0 X	MICON	R 0940	88-121-104-080	0E	RES,100K-1/8W J	EZSFD	CX-NSZ310
0 X	MICON	R 0940	88-121-104-080	0E	RES,100K-1/8W J	KSFD	CX-NSZ310
0 X	MICON	R 0940	88-121-104-080	0E	RES,100K-1/8W J	LHSFD	CX-NSZ310
0 X	MICON	R 0940	88-121-104-080	0E	RES,100K-1/8W J	LHSFD	CX-NSZ510
0 X	MICON	R 0940	88-121-104-080	0E	RES,100K-1/8W J	USM	CX-SNAJ310
X	MICON	R 0941	88-108-104-080	0E	C-RES,U 100K-1/16W J	EZSFD	CX-NSZ315
0 X	MICON	R 0941	88-108-104-080	0E	C-RES,U 100K-1/16W J	EZSFD	CX-NSZ310
0 X	MICON	R 0941	88-108-104-080	0E	C-RES,U 100K-1/16W J	KSFD	CX-NSZ310
0 X	MICON	R 0941	88-108-104-080	0E	C-RES,U 100K-1/16W J	LHSFD	CX-NSZ310
0 X	MICON	R 0941	88-108-104-080	0E	C-RES,U 100K-1/16W J	LHSFD	CX-NSZ510
0 X	MICON	R 0941	88-108-104-080	0E	C-RES,U 100K-1/16W J	USM	CX-SNAJ310
X	MICON	R 0942	88-108-103-080	0E	C-RES,U 10K-1/16W J	EZSFD	CX-NSZ315
0 X	MICON	R 0942	88-108-103-080	0E	C-RES,U 10K-1/16W J	EZSFD	CX-NSZ310
0 X	MICON	R 0942	88-108-103-080	0E	C-RES,U 10K-1/16W J	KSFD	CX-NSZ310
0 X	MICON	R 0942	88-108-103-080	0E	C-RES,U 10K-1/16W J	LHSFD	CX-NSZ310

# PARTS LIST

! =  $\Delta$  SAFTY PARTS  
 C = Components marked

All components used on this model at the production line are shown in this service manual.

However, please note that not all components will be available as spare parts for after-sales service.

Components marked S and O are designated as spare parts for service and will be stocked at the spare parts centers.

Components marked X and R are not designated as spare parts for after sales service, and will not be stocked at the spare parts centers.

K NO. = Only use japanese.

! C	UNIT NAME	REF NO.	PARTS CODE	K NO.	DESCRIPTION	SUFFIX	MODEL NAME
0 X	MICON	R 0942	88-108-103-080	0E	C-RES,U 10K-1/16W J	LHSFD	CX-NSZ510
0 X	MICON	R 0942	88-108-103-080	0E	C-RES,U 10K-1/16W J	USM	CX-SNAJ310
X	MICON	R 0943	88-108-103-080	0E	C-RES,U 10K-1/16W J	EZSFD	CX-NSZ315
0 X	MICON	R 0943	88-108-103-080	0E	C-RES,U 10K-1/16W J	EZSFD	CX-NSZ310
0 X	MICON	R 0943	88-108-103-080	0E	C-RES,U 10K-1/16W J	KSFD	CX-NSZ310
0 X	MICON	R 0943	88-108-103-080	0E	C-RES,U 10K-1/16W J	LHSFD	CX-NSZ310
0 X	MICON	R 0943	88-108-103-080	0E	C-RES,U 10K-1/16W J	LHSFD	CX-NSZ510
0 X	MICON	R 0943	88-108-103-080	0E	C-RES,U 10K-1/16W J	USM	CX-SNAJ310
X	MICON	R 0946	88-108-000-080	0E	C-JUMPER,U	EZSFD	CX-NSZ315
0 X	MICON	R 0946	88-108-000-080	0E	C-JUMPER,U	EZSFD	CX-NSZ310
0 X	MICON	R 0946	88-108-000-080	0E	C-JUMPER,U	KSFD	CX-NSZ310
0 X	MICON	R 0946	88-108-000-080	0E	C-JUMPER,U	LHSFD	CX-NSZ310
0 X	MICON	R 0946	88-108-000-080	0E	C-JUMPER,U	LHSFD	CX-NSZ310
0 X	MICON	R 0946	88-108-000-080	0E	C-JUMPER,U	USM	CX-SNAJ310
X	MICON	R 0947	88-108-104-080	0E	C-RES,U 100K-1/16W J	EZSFD	CX-NSZ315
0 X	MICON	R 0947	88-108-104-080	0E	C-RES,U 100K-1/16W J	EZSFD	CX-NSZ310
0 X	MICON	R 0947	88-108-104-080	0E	C-RES,U 100K-1/16W J	KSFD	CX-NSZ310
0 X	MICON	R 0947	88-108-104-080	0E	C-RES,U 100K-1/16W J	LHSFD	CX-NSZ310
0 X	MICON	R 0947	88-108-104-080	0E	C-RES,U 100K-1/16W J	LHSFD	CX-NSZ510
0 X	MICON	R 0947	88-108-104-080	0E	C-RES,U 100K-1/16W J	USM	CX-SNAJ310
X	MICON	R 0948	88-128-104-080	0E	C-RES, 100K-1/8W J	EZSFD	CX-NSZ315
0 X	MICON	R 0948	88-128-104-080	0E	C-RES, 100K-1/8W J	EZSFD	CX-NSZ310
0 X	MICON	R 0948	88-128-104-080	0E	C-RES, 100K-1/8W J	KSFD	CX-NSZ310
0 X	MICON	R 0948	88-128-104-080	0E	C-RES, 100K-1/8W J	LHSFD	CX-NSZ310
0 X	MICON	R 0948	88-128-104-080	0E	C-RES, 100K-1/8W J	LHSFD	CX-NSZ510
0 X	MICON	R 0948	88-128-104-080	0E	C-RES, 100K-1/8W J	USM	CX-SNAJ310
X	MICON	R 0951	88-108-102-080	0E	C-RES,U 1K-1/16W J	EZSFD	CX-NSZ315
0 X	MICON	R 0951	88-108-102-080	0E	C-RES,U 1K-1/16W J	EZSFD	CX-NSZ310
0 X	MICON	R 0951	88-108-102-080	0E	C-RES,U 1K-1/16W J	KSFD	CX-NSZ310
0 X	MICON	R 0951	88-108-102-080	0E	C-RES,U 1K-1/16W J	LHSFD	CX-NSZ310
0 X	MICON	R 0951	88-108-102-080	0E	C-RES,U 1K-1/16W J	LHSFD	CX-NSZ510
0 X	MICON	R 0951	88-108-102-080	0E	C-RES,U 1K-1/16W J	USM	CX-SNAJ310
X	MICON	R 0955	88-108-104-080	0E	C-RES,U 100K-1/16W J	EZSFD	CX-NSZ315
0 X	MICON	R 0955	88-108-104-080	0E	C-RES,U 100K-1/16W J	EZSFD	CX-NSZ310
0 X	MICON	R 0955	88-108-104-080	0E	C-RES,U 100K-1/16W J	KSFD	CX-NSZ310
0 X	MICON	R 0955	88-108-104-080	0E	C-RES,U 100K-1/16W J	LHSFD	CX-NSZ310
0 X	MICON	R 0955	88-108-104-080	0E	C-RES,U 100K-1/16W J	LHSFD	CX-NSZ510
0 X	MICON	R 0955	88-108-104-080	0E	C-RES,U 100K-1/16W J	USM	CX-SNAJ310
X	MICON	R 0956	88-108-104-080	0E	C-RES,U 100K-1/16W J	EZSFD	CX-NSZ315
0 X	MICON	R 0956	88-108-104-080	0E	C-RES,U 100K-1/16W J	EZSFD	CX-NSZ310
0 X	MICON	R 0956	88-108-104-080	0E	C-RES,U 100K-1/16W J	KSFD	CX-NSZ310
0 X	MICON	R 0956	88-108-104-080	0E	C-RES,U 100K-1/16W J	LHSFD	CX-NSZ310
0 X	MICON	R 0956	88-108-104-080	0E	C-RES,U 100K-1/16W J	LHSFD	CX-NSZ510
0 X	MICON	R 0956	88-108-104-080	0E	C-RES,U 100K-1/16W J	USM	CX-SNAJ310
X	MICON	R 0957	88-108-104-080	0E	C-RES,U 100K-1/16W J	EZSFD	CX-NSZ315
0 X	MICON	R 0957	88-108-104-080	0E	C-RES,U 100K-1/16W J	EZSFD	CX-NSZ310
0 X	MICON	R 0957	88-108-104-080	0E	C-RES,U 100K-1/16W J	KSFD	CX-NSZ310
0 X	MICON	R 0957	88-108-104-080	0E	C-RES,U 100K-1/16W J	LHSFD	CX-NSZ310
0 X	MICON	R 0957	88-108-104-080	0E	C-RES,U 100K-1/16W J	LHSFD	CX-NSZ510
0 X	MICON	R 0957	88-108-104-080	0E	C-RES,U 100K-1/16W J	USM	CX-SNAJ310
X	MICON	R 0958	88-108-104-080	0E	C-RES,U 100K-1/16W J	EZSFD	CX-NSZ315
0 X	MICON	R 0958	88-108-104-080	0E	C-RES,U 100K-1/16W J	EZSFD	CX-NSZ310
0 X	MICON	R 0958	88-108-104-080	0E	C-RES,U 100K-1/16W J	KSFD	CX-NSZ310
0 X	MICON	R 0958	88-108-104-080	0E	C-RES,U 100K-1/16W J	LHSFD	CX-NSZ310
0 X	MICON	R 0958	88-108-104-080	0E	C-RES,U 100K-1/16W J	LHSFD	CX-NSZ510
X	MICON	R 0961	88-128-181-080	0E	C-RES, 180-1/8W J	EZSFD	CX-NSZ315
0 X	MICON	R 0961	88-128-181-080	0E	C-RES, 180-1/8W J	EZSFD	CX-NSZ310
0 X	MICON	R 0961	88-128-181-080	0E	C-RES, 180-1/8W J	KSFD	CX-NSZ310
0 X	MICON	R 0961	88-128-181-080	0E	C-RES, 180-1/8W J	LHSFD	CX-NSZ310
0 X	MICON	R 0961	88-128-181-080	0E	C-RES, 180-1/8W J	LHSFD	CX-NSZ510
0 X	MICON	R 0961	88-128-181-080	0E	C-RES, 180-1/8W J	USM	CX-SNAJ310
X	MICON	R 0962	88-108-563-080	0E	C-RES,U 56K-1/16W J	EZSFD	CX-NSZ315
0 X	MICON	R 0962	88-108-563-080	0E	C-RES,U 56K-1/16W J	EZSFD	CX-NSZ310
0 X	MICON	R 0962	88-108-563-080	0E	C-RES,U 56K-1/16W J	KSFD	CX-NSZ310
0 X	MICON	R 0962	88-108-563-080	0E	C-RES,U 56K-1/16W J	LHSFD	CX-NSZ310
0 X	MICON	R 0962	88-108-563-080	0E	C-RES,U 56K-1/16W J	LHSFD	CX-NSZ510
0 X	MICON	R 0962	88-108-563-080	0E	C-RES,U 56K-1/16W J	USM	CX-SNAJ310
O	MICON	S 0321	87-A90-164-080	0E	SW, TACT SKQNAB (N)	EZSFD	CX-NSZ315
O	MICON	S 0321	87-A90-164-080	0E	SW, TACT SKQNAB (N)	EZSFD	CX-NSZ310

# PARTS LIST

! =  $\Delta$  SAFTY PARTS  
 C = Components marked

All components used on this model at the production line are shown in this service manual.

However, please note that not all components will be available as spare parts for after-sales service.

Components marked S and O are designated as spare parts for service and will be stocked at the spare parts centers.

Components marked X and R are not designated as spare parts for after sales service, and will not be stocked at the spare parts centers.

K NO. = Only use japanese.

! C	UNIT NAME	REF NO.	PARTS CODE	K NO.	DESCRIPTION	SUFFIX	MODEL NAME
0 O	MICON	S 0321	87-A90-164-080	0E	SW, TACT SKQNAB (N)	KSFD	CX-NSZ310
0 O	MICON	S 0321	87-A90-164-080	0E	SW, TACT SKQNAB (N)	LHSFD	CX-NSZ310
0 O	MICON	S 0321	87-A90-164-080	0E	SW, TACT SKQNAB (N)	LHSFD	CX-NSZ510
0 O	MICON	S 0321	87-A90-164-080	0E	SW, TACT SKQNAB (N)	USM	CX-SNAJ310
0 O	MICON	S 0322	87-A90-164-080	0E	SW, TACT SKQNAB (N)	EZSFD	CX-NSZ315
0 O	MICON	S 0322	87-A90-164-080	0E	SW, TACT SKQNAB (N)	EZSFD	CX-NSZ310
0 O	MICON	S 0322	87-A90-164-080	0E	SW, TACT SKQNAB (N)	KSFD	CX-NSZ310
0 O	MICON	S 0322	87-A90-164-080	0E	SW, TACT SKQNAB (N)	LHSFD	CX-NSZ310
0 O	MICON	S 0322	87-A90-164-080	0E	SW, TACT SKQNAB (N)	LHSFD	CX-NSZ510
0 O	MICON	S 0322	87-A90-164-080	0E	SW, TACT SKQNAB (N)	USM	CX-SNAJ310
0 O	MICON	S 0323	87-A90-164-080	0E	SW, TACT SKQNAB (N)	EZSFD	CX-NSZ315
0 O	MICON	S 0323	87-A90-164-080	0E	SW, TACT SKQNAB (N)	EZSFD	CX-NSZ310
0 O	MICON	S 0323	87-A90-164-080	0E	SW, TACT SKQNAB (N)	KSFD	CX-NSZ310
0 O	MICON	S 0323	87-A90-164-080	0E	SW, TACT SKQNAB (N)	LHSFD	CX-NSZ310
0 O	MICON	S 0323	87-A90-164-080	0E	SW, TACT SKQNAB (N)	LHSFD	CX-NSZ510
0 O	MICON	S 0323	87-A90-164-080	0E	SW, TACT SKQNAB (N)	USM	CX-SNAJ310
0 O	MICON	S 0324	87-A90-164-080	0E	SW, TACT SKQNAB (N)	EZSFD	CX-NSZ315
0 O	MICON	S 0324	87-A90-164-080	0E	SW, TACT SKQNAB (N)	EZSFD	CX-NSZ310
0 O	MICON	S 0324	87-A90-164-080	0E	SW, TACT SKQNAB (N)	KSFD	CX-NSZ310
0 O	MICON	S 0324	87-A90-164-080	0E	SW, TACT SKQNAB (N)	LHSFD	CX-NSZ310
0 O	MICON	S 0324	87-A90-164-080	0E	SW, TACT SKQNAB (N)	LHSFD	CX-NSZ510
0 O	MICON	S 0324	87-A90-164-080	0E	SW, TACT SKQNAB (N)	USM	CX-SNAJ310
0 O	MICON	S 0325	87-A90-164-080	0E	SW, TACT SKQNAB (N)	EZSFD	CX-NSZ315
0 O	MICON	S 0325	87-A90-164-080	0E	SW, TACT SKQNAB (N)	EZSFD	CX-NSZ310
0 O	MICON	S 0325	87-A90-164-080	0E	SW, TACT SKQNAB (N)	KSFD	CX-NSZ310
0 O	MICON	S 0325	87-A90-164-080	0E	SW, TACT SKQNAB (N)	LHSFD	CX-NSZ310
0 O	MICON	S 0325	87-A90-164-080	0E	SW, TACT SKQNAB (N)	LHSFD	CX-NSZ510
0 O	MICON	S 0325	87-A90-164-080	0E	SW, TACT SKQNAB (N)	USM	CX-SNAJ310
0 O	MICON	S 0326	87-A90-164-080	0E	SW, TACT SKQNAB (N)	EZSFD	CX-NSZ315
0 O	MICON	S 0326	87-A90-164-080	0E	SW, TACT SKQNAB (N)	EZSFD	CX-NSZ310
0 O	MICON	S 0326	87-A90-164-080	0E	SW, TACT SKQNAB (N)	KSFD	CX-NSZ310
0 O	MICON	S 0326	87-A90-164-080	0E	SW, TACT SKQNAB (N)	LHSFD	CX-NSZ310
0 O	MICON	S 0326	87-A90-164-080	0E	SW, TACT SKQNAB (N)	LHSFD	CX-NSZ510
0 O	MICON	S 0326	87-A90-164-080	0E	SW, TACT SKQNAB (N)	USM	CX-SNAJ310
0 O	MICON	S 0327	87-A90-164-080	0E	SW, TACT SKQNAB (N)	EZSFD	CX-NSZ315
0 O	MICON	S 0327	87-A90-164-080	0E	SW, TACT SKQNAB (N)	EZSFD	CX-NSZ310
0 O	MICON	S 0327	87-A90-164-080	0E	SW, TACT SKQNAB (N)	KSFD	CX-NSZ310
0 O	MICON	S 0327	87-A90-164-080	0E	SW, TACT SKQNAB (N)	LHSFD	CX-NSZ310
0 O	MICON	S 0327	87-A90-164-080	0E	SW, TACT SKQNAB (N)	LHSFD	CX-NSZ510
0 O	MICON	S 0327	87-A90-164-080	0E	SW, TACT SKQNAB (N)	USM	CX-SNAJ310
0 O	MICON	S 0328	87-A90-164-080	0E	SW, TACT SKQNAB (N)	EZSFD	CX-NSZ315
0 O	MICON	S 0328	87-A90-164-080	0E	SW, TACT SKQNAB (N)	EZSFD	CX-NSZ310
0 O	MICON	S 0328	87-A90-164-080	0E	SW, TACT SKQNAB (N)	KSFD	CX-NSZ310
0 O	MICON	S 0328	87-A90-164-080	0E	SW, TACT SKQNAB (N)	LHSFD	CX-NSZ310
0 O	MICON	S 0328	87-A90-164-080	0E	SW, TACT SKQNAB (N)	LHSFD	CX-NSZ510
0 O	MICON	S 0328	87-A90-164-080	0E	SW, TACT SKQNAB (N)	USM	CX-SNAJ310
0 O	MICON	S 0329	87-A90-164-080	0E	SW, TACT SKQNAB (N)	EZSFD	CX-NSZ315
0 O	MICON	S 0329	87-A90-164-080	0E	SW, TACT SKQNAB (N)	EZSFD	CX-NSZ310
0 O	MICON	S 0329	87-A90-164-080	0E	SW, TACT SKQNAB (N)	KSFD	CX-NSZ310
0 O	MICON	S 0329	87-A90-164-080	0E	SW, TACT SKQNAB (N)	LHSFD	CX-NSZ310
0 O	MICON	S 0329	87-A90-164-080	0E	SW, TACT SKQNAB (N)	LHSFD	CX-NSZ510
0 O	MICON	S 0329	87-A90-164-080	0E	SW, TACT SKQNAB (N)	USM	CX-SNAJ310
0 O	MICON	S 0330	87-A90-164-080	0E	SW, TACT SKQNAB (N)	EZSFD	CX-NSZ315
0 O	MICON	S 0330	87-A90-164-080	0E	SW, TACT SKQNAB (N)	EZSFD	CX-NSZ310
0 O	MICON	S 0330	87-A90-164-080	0E	SW, TACT SKQNAB (N)	KSFD	CX-NSZ310
0 O	MICON	S 0330	87-A90-164-080	0E	SW, TACT SKQNAB (N)	LHSFD	CX-NSZ310
0 O	MICON	S 0330	87-A90-164-080	0E	SW, TACT SKQNAB (N)	LHSFD	CX-NSZ510
0 O	MICON	S 0330	87-A90-164-080	0E	SW, TACT SKQNAB (N)	USM	CX-SNAJ310
0 O	MICON	S 0331	87-A90-164-080	0E	SW, TACT SKQNAB (N)	EZSFD	CX-NSZ315
0 O	MICON	S 0331	87-A90-164-080	0E	SW, TACT SKQNAB (N)	EZSFD	CX-NSZ310
0 O	MICON	S 0331	87-A90-164-080	0E	SW, TACT SKQNAB (N)	KSFD	CX-NSZ310
0 O	MICON	S 0331	87-A90-164-080	0E	SW, TACT SKQNAB (N)	LHSFD	CX-NSZ310
0 O	MICON	S 0331	87-A90-164-080	0E	SW, TACT SKQNAB (N)	LHSFD	CX-NSZ510
0 O	MICON	S 0331	87-A90-164-080	0E	SW, TACT SKQNAB (N)	USM	CX-SNAJ310
0 O	MICON	S 0332	87-A90-164-080	0E	SW, TACT SKQNAB (N)	EZSFD	CX-NSZ315
0 O	MICON	S 0332	87-A90-164-080	0E	SW, TACT SKQNAB (N)	EZSFD	CX-NSZ310
0 O	MICON	S 0332	87-A90-164-080	0E	SW, TACT SKQNAB (N)	KSFD	CX-NSZ310
0 O	MICON	S 0332	87-A90-164-080	0E	SW, TACT SKQNAB (N)	LHSFD	CX-NSZ310
0 O	MICON	S 0332	87-A90-164-080	0E	SW, TACT SKQNAB (N)	LHSFD	CX-NSZ510
0 O	MICON	S 0332	87-A90-164-080	0E	SW, TACT SKQNAB (N)	USM	CX-SNAJ310





# PARTS LIST

! =  $\Delta$  SAFTY PARTS  
 C = Components marked

All components used on this model at the production line are shown in this service manual.

However, please note that not all components will be available as spare parts for after-sales service.

Components marked S and O are designated as spare parts for service and will be stocked at the spare parts centers.

Components marked X and R are not designated as spare parts for after sales service, and will not be stocked at the spare parts centers.

K NO. = Only use japanese.

! C	UNIT NAME	REF NO.	PARTS CODE	K NO.	DESCRIPTION	SUFFIX	MODEL NAME
0 O	MICON	S 0361	87-A91-633-010	1A	SW, RTRY XRE012103PVB25FINA	1-2 EZSFD	CX-NSZ310
0 O	MICON	S 0361	87-A91-633-010	1A	SW, RTRY XRE012103PVB25FINA	1-2 KSF	CX-NSZ310
0 O	MICON	S 0361	87-A91-633-010	1A	SW, RTRY XRE012103PVB25FINA	1-2 LHSFD	CX-NSZ310
0 O	MICON	S 0361	87-A91-633-010	1A	SW, RTRY XRE012103PVB25FINA	1-2 LHSFD	CX-NSZ510
0 O	MICON	S 0361	87-A91-633-010	1A	SW, RTRY XRE012103PVB25FINA	1-2 USM	CX-SNAJ310
0 O	MICON	S 0371	87-A91-632-010	1A	SW, RTRY XRE012103PVB25FINB	1-2 EZSFD	CX-NSZ315
0 O	MICON	S 0371	87-A91-632-010	1A	SW, RTRY XRE012103PVB25FINB	1-2 EZSFD	CX-NSZ310
0 O	MICON	S 0371	87-A91-632-010	1A	SW, RTRY XRE012103PVB25FINB	1-2 KSF	CX-NSZ310
0 O	MICON	S 0371	87-A91-632-010	1A	SW, RTRY XRE012103PVB25FINB	1-2 LHSFD	CX-NSZ310
0 O	MICON	S 0371	87-A91-632-010	1A	SW, RTRY XRE012103PVB25FINB	1-2 LHSFD	CX-NSZ510
0 O	MICON	S 0371	87-A91-632-010	1A	SW, RTRY XRE012103PVB25FINB	1-2 USM	CX-SNAJ310
! O	OTHERS		82-NF5-229-010	0E	PLATE, LOCK (*)	EZSFD	CX-NSZ315
0 O	OTHERS		82-NF5-229-010	0E	PLATE, LOCK (*)	EZSFD	CX-NSZ310
0 O	OTHERS		82-NF5-229-010	0E	PLATE, LOCK (*)	KSF	CX-NSZ310
0 O	OTHERS		82-NF5-229-010	0E	PLATE, LOCK (*)	LHSFD	CX-NSZ310
0 O	OTHERS		82-NF5-229-010	0E	PLATE, LOCK (*)	LHSFD	CX-NSZ510
0 O	OTHERS		82-NF5-229-010	0E	PLATE, LOCK (*)	USM	CX-SNAJ310
0 O	OTHERS		86-NF9-224-010	0E	SPR-C, LOCK	EZSFD	CX-NSZ315
0 O	OTHERS		86-NF9-224-010	0E	SPR-C, LOCK	EZSFD	CX-NSZ310
0 O	OTHERS		86-NF9-224-010	0E	SPR-C, LOCK	KSF	CX-NSZ310
0 O	OTHERS		86-NF9-224-010	0E	SPR-C, LOCK	LHSFD	CX-NSZ310
0 O	OTHERS		86-NF9-224-010	0E	SPR-C, LOCK	LHSFD	CX-NSZ510
0 O	OTHERS		86-NF9-224-010	0E	SPR-C, LOCK	USM	CX-SNAJ310
X O	OTHERS		87-064-080-010	0E	BINDER, WIRE	EZSFD	CX-NSZ315
0 X	OTHERS		87-064-080-010	0E	BINDER, WIRE	EZSFD	CX-NSZ310
0 X	OTHERS		87-064-080-010	0E	BINDER, WIRE	KSF	CX-NSZ310
0 X	OTHERS		87-064-080-010	0E	BINDER, WIRE	LHSFD	CX-NSZ310
0 X	OTHERS		87-064-080-010	0E	BINDER, WIRE	LHSFD	CX-NSZ510
0 X	OTHERS		87-064-080-010	0E	BINDER, WIRE	USM	CX-SNAJ310
! O	OTHERS		87-NF4-216-010	0E	HLDR, LOCK 1	EZSFD	CX-NSZ315
0 O	OTHERS		87-NF4-216-010	0E	HLDR, LOCK 1	EZSFD	CX-NSZ310
0 O	OTHERS		87-NF4-216-010	0E	HLDR, LOCK 1	KSF	CX-NSZ310
0 O	OTHERS		87-NF4-216-010	0E	HLDR, LOCK 1	LHSFD	CX-NSZ310
0 O	OTHERS		87-NF4-216-010	0E	HLDR, LOCK 1	LHSFD	CX-NSZ510
0 O	OTHERS		87-NF4-216-010	0E	HLDR, LOCK 1	USM	CX-SNAJ310
! O	OTHERS		87-NF4-217-110	0E	HLDR, LOCK 2	EZSFD	CX-NSZ315
0 O	OTHERS		87-NF4-217-110	0E	HLDR, LOCK 2	EZSFD	CX-NSZ310
0 O	OTHERS		87-NF4-217-110	0E	HLDR, LOCK 2	KSF	CX-NSZ310
0 O	OTHERS		87-NF4-217-110	0E	HLDR, LOCK 2	LHSFD	CX-NSZ310
0 O	OTHERS		87-NF4-217-110	0E	HLDR, LOCK 2	LHSFD	CX-NSZ510
0 O	OTHERS		87-NF4-217-110	0E	HLDR, LOCK 2	USM	CX-SNAJ310
! O	OTHERS		87-NF4-221-010	0E	HLDR, CABLE	EZSFD	CX-NSZ315
0 O	OTHERS		87-NF4-221-010	0E	HLDR, CABLE	EZSFD	CX-NSZ310
0 O	OTHERS		87-NF4-221-010	0E	HLDR, CABLE	KSF	CX-NSZ310
0 O	OTHERS		87-NF4-221-010	0E	HLDR, CABLE	LHSFD	CX-NSZ310
0 O	OTHERS		87-NF4-221-010	0E	HLDR, CABLE	LHSFD	CX-NSZ510
0 O	OTHERS		87-NF4-221-010	0E	HLDR, CABLE	USM	CX-SNAJ310
0 X	OTHERS		88-NF8-202-010	1A	HT-SINK, FIN	LHSFD	CX-NSZ310
0 X	OTHERS		88-NF8-202-010	1A	HT-SINK, FIN	LHSFD	CX-NSZ510
0 X	OTHERS		88-NF8-202-010	1A	HT-SINK, FIN	USM	CX-SNAJ310
! O	OTHERS		8A-NF8-206-010	0E	HLDR, PWB M	EZSFD	CX-NSZ315
0 O	OTHERS		8A-NF8-206-010	0E	HLDR, PWB M	EZSFD	CX-NSZ310
0 O	OTHERS		8A-NF8-206-010	0E	HLDR, PWB M	KSF	CX-NSZ310
0 O	OTHERS		8A-NF8-206-010	0E	HLDR, PWB M	LHSFD	CX-NSZ310
0 O	OTHERS		8A-NF8-206-010	0E	HLDR, PWB M	LHSFD	CX-NSZ510
0 O	OTHERS		8A-NF8-206-010	0E	HLDR, PWB M	USM	CX-SNAJ310
0 O	OTHERS		8A-NF8-281-010	0E	SPR-T, EJECT 1	EZSFD	CX-NSZ315
0 O	OTHERS		8A-NF8-281-010	0E	SPR-T, EJECT 1	EZSFD	CX-NSZ310
0 O	OTHERS		8A-NF8-281-010	0E	SPR-T, EJECT 1	KSF	CX-NSZ310
0 O	OTHERS		8A-NF8-281-010	0E	SPR-T, EJECT 1	LHSFD	CX-NSZ310
0 O	OTHERS		8A-NF8-281-010	0E	SPR-T, EJECT 1	LHSFD	CX-NSZ510
0 O	OTHERS		8A-NF8-281-010	0E	SPR-T, EJECT 1	USM	CX-SNAJ310
0 O	OTHERS		8A-NF8-282-010	0E	SPR-T, EJECT 2	EZSFD	CX-NSZ315
0 O	OTHERS		8A-NF8-282-010	0E	SPR-T, EJECT 2	EZSFD	CX-NSZ310
0 O	OTHERS		8A-NF8-282-010	0E	SPR-T, EJECT 2	KSF	CX-NSZ310
0 O	OTHERS		8A-NF8-282-010	0E	SPR-T, EJECT 2	LHSFD	CX-NSZ310
0 O	OTHERS		8A-NF8-282-010	0E	SPR-T, EJECT 2	LHSFD	CX-NSZ510
0 O	OTHERS		8A-NF8-282-010	0E	SPR-T, EJECT 2	USM	CX-SNAJ310
! O	OTHERS		8A-NF9-211-010	0E	HLDR, PWB PT HI	EZSFD	CX-NSZ315
0 O	OTHERS		8A-NF9-211-010	0E	HLDR, PWB PT HI	EZSFD	CX-NSZ310

# PARTS LIST

! =  $\Delta$  SAFTY PARTS  
 C = Components marked

All components used on this model at the production line are shown in this service manual.

However, please note that not all components will be available as spare parts for after-sales service.

Components marked S and O are designated as spare parts for service and will be stocked at the spare parts centers.

Components marked X and R are not designated as spare parts for after sales service, and will not be stocked at the spare parts centers.

K NO. = Only use japanese.

! C	UNIT NAME	REF NO.	PARTS CODE	K NO.	DESCRIPTION	SUFFIX	MODEL NAME
0 O	OTHERS		8A-NF9-211-010	0E	HLDR, PWB PT HI	KSFD	CX-NSZ310
0 O	OTHERS		8A-NF9-211-010	0E	HLDR, PWB PT HI	LHSFD	CX-NSZ310
0 O	OTHERS		8A-NF9-211-010	0E	HLDR, PWB PT HI	LHSFD	CX-NSZ510
0 O	OTHERS		8A-NF9-211-010	0E	HLDR, PWB PT HI	USM	CX-SNAJ310
0 X	OTHERS		8B-NF9-204-010	0E	CUSH, 11-8.5-2	EZSFD	CX-NSZ315
0 X	OTHERS		8B-NF9-204-010	0E	CUSH, 11-8.5-2	EZSFD	CX-NSZ310
0 X	OTHERS		8B-NF9-204-010	0E	CUSH, 11-8.5-2	KSFD	CX-NSZ310
0 X	OTHERS		8B-NF9-204-010	0E	CUSH, 11-8.5-2	LHSFD	CX-NSZ310
0 X	OTHERS		8B-NF9-204-010	0E	CUSH, 11-8.5-2	LHSFD	CX-NSZ510
0 X	OTHERS		8B-NF9-204-010	0E	CUSH, 11-8.5-2	USM	CX-SNAJ310
0 O	OTHERS		8B-NF9-211-010	1B	HLDR, TR S	EZSFD	CX-NSZ315
0 O	OTHERS		8B-NF9-211-010	1B	HLDR, TR S	EZSFD	CX-NSZ310
0 O	OTHERS		8B-NF9-211-010	1B	HLDR, TR S	KSFD	CX-NSZ310
0 O	OTHERS		8B-NF9-211-010	1B	HLDR, TR S	LHSFD	CX-NSZ310
0 O	OTHERS		8B-NF9-211-010	1B	HLDR, TR S	LHSFD	CX-NSZ510
0 O	OTHERS		8B-NF9-211-010	1B	HLDR, TR S	USM	CX-SNAJ310
0 X	OTHERS		8B-NF9-212-010	1H	HT-SINK, ASSY S	LHSFD	CX-NSZ310
0 X	OTHERS		8B-NF9-212-010	1H	HT-SINK, ASSY S	LHSFD	CX-NSZ510
0 X	OTHERS		8B-NF9-212-010	1H	HT-SINK, ASSY S	USM	CX-SNAJ310
0 X	OTHERS		8B-NF9-213-010	--	HT-SINK, MAIN100 S	LHSFD	CX-NSZ310
0 X	OTHERS		8B-NF9-213-010	--	HT-SINK, MAIN100 S	LHSFD	CX-NSZ510
0 X	OTHERS		8B-NF9-213-010	--	HT-SINK, MAIN100 S	USM	CX-SNAJ310
0 X	OTHERS		8B-NF9-214-010	1C	HT-SINK, MAIN60 S	EZSFD	CX-NSZ315
0 X	OTHERS		8B-NF9-214-010	1C	HT-SINK, MAIN60 S	EZSFD	CX-NSZ310
0 X	OTHERS		8B-NF9-214-010	1C	HT-SINK, MAIN60 S	KSFD	CX-NSZ310
0 X	OTHERS		8B-NF9-215-010	1A	PLATE, SHLD PT 1TS	USM	CX-SNAJ310
0 X	OTHERS		8B-NFK-210-010	0E	SH, TR VM	EZSFD	CX-NSZ315
0 X	OTHERS		8B-NFK-210-010	0E	SH, TR VM	EZSFD	CX-NSZ310
0 X	OTHERS		8B-NFK-210-010	0E	SH, TR VM	KSFD	CX-NSZ310
0 X	OTHERS		8B-NFK-210-010	0E	SH, TR VM	LHSFD	CX-NSZ310
0 X	OTHERS		8B-NFK-210-010	0E	SH, TR VM	LHSFD	CX-NSZ510
0 X	OTHERS		8B-NFK-210-010	0E	SH, TR VM	USM	CX-SNAJ310
0 X	OTHERS		8B-NFY-204-010	0E	PLATE, EARTH MECH	EZSFD	CX-NSZ310
0 X	OTHERS		8B-NFY-204-010	0E	PLATE, EARTH MECH	KSFD	CX-NSZ310
0 X	OTHERS		8B-NFY-204-010	0E	PLATE, EARTH MECH	LHSFD	CX-NSZ310
0 X	OTHERS		8B-NFY-204-010	0E	PLATE, EARTH MECH	LHSFD	CX-NSZ510
0 X	OTHERS		8B-NFY-204-010	0E	PLATE, EARTH MECH	USM	CX-SNAJ310
0 X	OTHERS		8B-NFY-205-010	0E	PLATE, EARTH MECH	EZSFD	CX-NSZ315
! O	OTHERS		8Z-NF6-210-010	0E	DMPR, 150 N	EZSFD	CX-NSZ315
0 O	OTHERS		8Z-NF6-210-010	0E	DMPR, 150 N	EZSFD	CX-NSZ310
0 O	OTHERS		8Z-NF6-210-010	0E	DMPR, 150 N	KSFD	CX-NSZ310
0 O	OTHERS		8Z-NF6-210-010	0E	DMPR, 150 N	LHSFD	CX-NSZ310
0 O	OTHERS		8Z-NF6-210-010	0E	DMPR, 150 N	LHSFD	CX-NSZ510
0 O	OTHERS		8Z-NF6-210-010	0E	DMPR, 150 N	USM	CX-SNAJ310
0 X	P-SUPPLY/PWB/FAN	*	8B-NF9-650-010	--	PWB, COMB MAIN -IND	EZSFD	CX-NSZ310
0 X	P-SUPPLY/PWB/FAN	*	8B-NF9-650-010	--	PWB, COMB MAIN -IND	KSFD	CX-NSZ310
0 X	P-SUPPLY/PWB/FAN	*	8B-NF9-650-010	--	PWB, COMB MAIN -IND	LHSFD	CX-NSZ310
0 X	P-SUPPLY/PWB/FAN	*	8B-NF9-650-010	--	PWB, COMB MAIN -IND	LHSFD	CX-NSZ510
0 X	P-SUPPLY/PWB/FAN	*	8B-NF9-650-110	--	PWB, COMB MAIN -IND	EZSFD	CX-NSZ315
0 X	P-SUPPLY/PWB/FAN	*	8B-NF9-651-010	--	PWB, MAIN-IND	EZSFD	CX-NSZ310
0 X	P-SUPPLY/PWB/FAN	*	8B-NF9-651-010	--	PWB, MAIN-IND	KSFD	CX-NSZ310
0 X	P-SUPPLY/PWB/FAN	*	8B-NF9-651-010	--	PWB, MAIN-IND	LHSFD	CX-NSZ310
0 X	P-SUPPLY/PWB/FAN	*	8B-NF9-651-010	--	PWB, MAIN-IND	LHSFD	CX-NSZ510
0 X	P-SUPPLY/PWB/FAN	*	8B-NF9-651-110	--	PWB, MAIN-IND	EZSFD	CX-NSZ315
0 X	P-SUPPLY/PWB/FAN	*	8B-NF9-652-010	--	PWB, PT-IND	EZSFD	CX-NSZ310
0 X	P-SUPPLY/PWB/FAN	*	8B-NF9-652-010	--	PWB, PT-IND	KSFD	CX-NSZ310
0 X	P-SUPPLY/PWB/FAN	*	8B-NF9-652-110	--	PWB, PT-IND	EZSFD	CX-NSZ315
0 X	P-SUPPLY/PWB/FAN	*	8B-NF9-670-010	1E	PWB, COMB MAIN -M'SIA	USM	CX-SNAJ310
0 X	P-SUPPLY/PWB/FAN	*	8B-NF9-671-010	--	PWB, MAIN-M'SIA	USM	CX-SNAJ310
0 X	P-SUPPLY/PWB/FAN	*	8B-NF9-672-010	--	PWB, PT-M'SIA	USM	CX-SNAJ310
0 O	P-SUPPLY/PWB/FAN	C	0003 87-012-368-080	0E	C-CAP, S 0.1-50 Z F	EZSFD	CX-NSZ315
0 O	P-SUPPLY/PWB/FAN	C	0003 87-012-368-080	0E	C-CAP, S 0.1-50 Z F	EZSFD	CX-NSZ310
0 O	P-SUPPLY/PWB/FAN	C	0003 87-012-368-080	0E	C-CAP, S 0.1-50 Z F	KSFD	CX-NSZ310
0 O	P-SUPPLY/PWB/FAN	C	0003 87-012-368-080	0E	C-CAP, S 0.1-50 Z F	LHSFD	CX-NSZ310
0 O	P-SUPPLY/PWB/FAN	C	0003 87-012-368-080	0E	C-CAP, S 0.1-50 Z F	LHSFD	CX-NSZ510
0 O	P-SUPPLY/PWB/FAN	C	0003 87-012-368-080	0E	C-CAP, S 0.1-50 Z F	USM	CX-SNAJ310
0 O	P-SUPPLY/PWB/FAN	C	0004 87-012-368-080	0E	C-CAP, S 0.1-50 Z F	EZSFD	CX-NSZ315
0 O	P-SUPPLY/PWB/FAN	C	0004 87-012-368-080	0E	C-CAP, S 0.1-50 Z F	EZSFD	CX-NSZ310
0 O	P-SUPPLY/PWB/FAN	C	0004 87-012-368-080	0E	C-CAP, S 0.1-50 Z F	KSFD	CX-NSZ310
0 O	P-SUPPLY/PWB/FAN	C	0004 87-012-368-080	0E	C-CAP, S 0.1-50 Z F	LHSFD	CX-NSZ310

# PARTS LIST

! =  $\Delta$  SAFTY PARTS  
 C = Components marked

All components used on this model at the production line are shown in this service manual.

However, please note that not all components will be available as spare parts for after-sales service.

Components marked S and O are designated as spare parts for service and will be stocked at the spare parts centers.

Components marked X and R are not designated as spare parts for after sales service, and will not be stocked at the spare parts centers.

K NO. = Only use japanese.

! C	UNIT NAME	REF NO.	PARTS CODE	K NO.	DESCRIPTION	SUFFIX	MODEL NAME
0 0	P-SUPPLY/PWB/FAN	C 0004	87-012-368-080	0E	C-CAP,S 0.1-50 Z F	LHSFD	CX-NSZ510
0 0	P-SUPPLY/PWB/FAN	C 0004	87-012-368-080	0E	C-CAP,S 0.1-50 Z F	USM	CX-SNAJ310
0 0	P-SUPPLY/PWB/FAN	C 0005	87-012-368-080	0E	C-CAP,S 0.1-50 Z F	EZSFD	CX-NSZ315
0 0	P-SUPPLY/PWB/FAN	C 0005	87-012-368-080	0E	C-CAP,S 0.1-50 Z F	EZSFD	CX-NSZ310
0 0	P-SUPPLY/PWB/FAN	C 0005	87-012-368-080	0E	C-CAP,S 0.1-50 Z F	KSFD	CX-NSZ310
0 0	P-SUPPLY/PWB/FAN	C 0005	87-012-368-080	0E	C-CAP,S 0.1-50 Z F	LHSFD	CX-NSZ310
0 0	P-SUPPLY/PWB/FAN	C 0005	87-012-368-080	0E	C-CAP,S 0.1-50 Z F	LHSFD	CX-NSZ510
0 0	P-SUPPLY/PWB/FAN	C 0005	87-012-368-080	0E	C-CAP,S 0.1-50 Z F	USM	CX-SNAJ310
0 0	P-SUPPLY/PWB/FAN	C 0006	87-012-368-080	0E	C-CAP,S 0.1-50 Z F	EZSFD	CX-NSZ315
0 0	P-SUPPLY/PWB/FAN	C 0006	87-012-368-080	0E	C-CAP,S 0.1-50 Z F	EZSFD	CX-NSZ310
0 0	P-SUPPLY/PWB/FAN	C 0006	87-012-368-080	0E	C-CAP,S 0.1-50 Z F	KSFD	CX-NSZ310
0 0	P-SUPPLY/PWB/FAN	C 0006	87-012-368-080	0E	C-CAP,S 0.1-50 Z F	LHSFD	CX-NSZ310
0 0	P-SUPPLY/PWB/FAN	C 0006	87-012-368-080	0E	C-CAP,S 0.1-50 Z F	LHSFD	CX-NSZ510
0 0	P-SUPPLY/PWB/FAN	C 0009	87-010-759-080	0E	C-CAP,U 0.1-25 Z F	EZSFD	CX-NSZ315
0 0	P-SUPPLY/PWB/FAN	C 0009	87-010-759-080	0E	C-CAP,U 0.1-25 Z F	EZSFD	CX-NSZ310
0 0	P-SUPPLY/PWB/FAN	C 0009	87-010-759-080	0E	C-CAP,U 0.1-25 Z F	KSFD	CX-NSZ310
0 0	P-SUPPLY/PWB/FAN	C 0009	87-010-759-080	0E	C-CAP,U 0.1-25 Z F	LHSFD	CX-NSZ310
0 0	P-SUPPLY/PWB/FAN	C 0009	87-010-759-080	0E	C-CAP,U 0.1-25 Z F	LHSFD	CX-NSZ510
0 0	P-SUPPLY/PWB/FAN	C 0009	87-010-759-080	0E	C-CAP,U 0.1-25 Z F	USM	CX-SNAJ310
0 0	P-SUPPLY/PWB/FAN	C 0010	87-010-759-080	0E	C-CAP,U 0.1-25 Z F	EZSFD	CX-NSZ315
0 0	P-SUPPLY/PWB/FAN	C 0010	87-010-759-080	0E	C-CAP,U 0.1-25 Z F	EZSFD	CX-NSZ310
0 0	P-SUPPLY/PWB/FAN	C 0010	87-010-759-080	0E	C-CAP,U 0.1-25 Z F	KSFD	CX-NSZ310
0 0	P-SUPPLY/PWB/FAN	C 0010	87-010-759-080	0E	C-CAP,U 0.1-25 Z F	LHSFD	CX-NSZ310
0 0	P-SUPPLY/PWB/FAN	C 0010	87-010-759-080	0E	C-CAP,U 0.1-25 Z F	LHSFD	CX-NSZ510
0 0	P-SUPPLY/PWB/FAN	C 0010	87-010-759-080	0E	C-CAP,U 0.1-25 Z F	USM	CX-SNAJ310
0 0	P-SUPPLY/PWB/FAN	C 0011	87-010-759-080	0E	C-CAP,U 0.1-25 Z F	EZSFD	CX-NSZ315
0 0	P-SUPPLY/PWB/FAN	C 0011	87-010-759-080	0E	C-CAP,U 0.1-25 Z F	EZSFD	CX-NSZ310
0 0	P-SUPPLY/PWB/FAN	C 0011	87-010-759-080	0E	C-CAP,U 0.1-25 Z F	KSFD	CX-NSZ310
0 0	P-SUPPLY/PWB/FAN	C 0011	87-010-759-080	0E	C-CAP,U 0.1-25 Z F	LHSFD	CX-NSZ310
0 0	P-SUPPLY/PWB/FAN	C 0011	87-010-759-080	0E	C-CAP,U 0.1-25 Z F	LHSFD	CX-NSZ510
0 0	P-SUPPLY/PWB/FAN	C 0011	87-010-759-080	0E	C-CAP,U 0.1-25 Z F	USM	CX-SNAJ310
0 0	P-SUPPLY/PWB/FAN	C 0012	87-010-759-080	0E	C-CAP,U 0.1-25 Z F	EZSFD	CX-NSZ315
0 0	P-SUPPLY/PWB/FAN	C 0012	87-010-759-080	0E	C-CAP,U 0.1-25 Z F	EZSFD	CX-NSZ310
0 0	P-SUPPLY/PWB/FAN	C 0012	87-010-759-080	0E	C-CAP,U 0.1-25 Z F	KSFD	CX-NSZ310
0 0	P-SUPPLY/PWB/FAN	C 0012	87-010-759-080	0E	C-CAP,U 0.1-25 Z F	LHSFD	CX-NSZ310
0 0	P-SUPPLY/PWB/FAN	C 0012	87-010-759-080	0E	C-CAP,U 0.1-25 Z F	LHSFD	CX-NSZ510
0 0	P-SUPPLY/PWB/FAN	C 0012	87-010-759-080	0E	C-CAP,U 0.1-25 Z F	USM	CX-SNAJ310
0 0	P-SUPPLY/PWB/FAN	C 0019	87-016-520-000	1D	CAP,E 3300-65 M SMG	LHSFD	CX-NSZ510
0 0	P-SUPPLY/PWB/FAN	C 0019	87-A12-036-000	1C	CAP,E 2200-63 M SMG	LHSFD	CX-NSZ310
0 0	P-SUPPLY/PWB/FAN	C 0019	87-A12-036-000	1C	CAP,E 2200-63 M SMG	USM	CX-SNAJ310
0 0	P-SUPPLY/PWB/FAN	C 0019	87-A12-776-090	1B	CAP,E 2200-50 M 85 SKR	EZSFD	CX-NSZ315
0 0	P-SUPPLY/PWB/FAN	C 0019	87-A12-776-090	1B	CAP,E 2200-50 M 85 SKR	EZSFD	CX-NSZ310
0 0	P-SUPPLY/PWB/FAN	C 0019	87-A12-776-090	1B	CAP,E 2200-50 M 85 SKR	KSFD	CX-NSZ310
0 0	P-SUPPLY/PWB/FAN	C 0020	87-016-520-000	1D	CAP,E 3300-65 M SMG	LHSFD	CX-NSZ510
0 0	P-SUPPLY/PWB/FAN	C 0020	87-A12-036-000	1C	CAP,E 2200-63 M SMG	LHSFD	CX-NSZ310
0 0	P-SUPPLY/PWB/FAN	C 0020	87-A12-036-000	1C	CAP,E 2200-63 M SMG	USM	CX-SNAJ310
0 0	P-SUPPLY/PWB/FAN	C 0020	87-A12-776-090	1B	CAP,E 2200-50 M 85 SKR	EZSFD	CX-NSZ315
0 0	P-SUPPLY/PWB/FAN	C 0020	87-A12-776-090	1B	CAP,E 2200-50 M 85 SKR	EZSFD	CX-NSZ310
0 0	P-SUPPLY/PWB/FAN	C 0020	87-A12-776-090	1B	CAP,E 2200-50 M 85 SKR	KSFD	CX-NSZ310
0 0	P-SUPPLY/PWB/FAN	C 0021	87-A12-777-090	1A	CAP,E 3300-25 M 85 SKR	EZSFD	CX-NSZ315
0 0	P-SUPPLY/PWB/FAN	C 0021	87-A12-777-090	1A	CAP,E 3300-25 M 85 SKR	EZSFD	CX-NSZ310
0 0	P-SUPPLY/PWB/FAN	C 0021	87-A12-777-090	1A	CAP,E 3300-25 M 85 SKR	KSFD	CX-NSZ310
0 0	P-SUPPLY/PWB/FAN	C 0021	87-A12-777-090	1A	CAP,E 3300-25 M 85 SKR	LHSFD	CX-NSZ310
0 0	P-SUPPLY/PWB/FAN	C 0021	87-A12-777-090	1A	CAP,E 3300-25 M 85 SKR	USM	CX-SNAJ310
0 0	P-SUPPLY/PWB/FAN	C 0021	87-A12-780-090	1B	CAP,E 4700-35 M 85 SKR	LHSFD	CX-NSZ510
0 0	P-SUPPLY/PWB/FAN	C 0022	87-A12-777-090	1A	CAP,E 3300-25 M 85 SKR	EZSFD	CX-NSZ315
0 0	P-SUPPLY/PWB/FAN	C 0022	87-A12-777-090	1A	CAP,E 3300-25 M 85 SKR	EZSFD	CX-NSZ310
0 0	P-SUPPLY/PWB/FAN	C 0022	87-A12-777-090	1A	CAP,E 3300-25 M 85 SKR	KSFD	CX-NSZ310
0 0	P-SUPPLY/PWB/FAN	C 0022	87-A12-777-090	1A	CAP,E 3300-25 M 85 SKR	LHSFD	CX-NSZ310
0 0	P-SUPPLY/PWB/FAN	C 0022	87-A12-777-090	1A	CAP,E 3300-25 M 85 SKR	USM	CX-SNAJ310
0 0	P-SUPPLY/PWB/FAN	C 0022	87-A12-777-090	1A	CAP,E 3300-25 M 85 SKR	EZSFD	CX-NSZ315
0 0	P-SUPPLY/PWB/FAN	C 0022	87-A12-777-090	1A	CAP,E 3300-25 M 85 SKR	EZSFD	CX-NSZ310
0 0	P-SUPPLY/PWB/FAN	C 0025	87-A12-072-080	0E	CAP,E 100-25 SMG	LHSFD	CX-SNAJ310
0 0	P-SUPPLY/PWB/FAN	C 0025	87-A12-072-080	0E	CAP,E 100-25 SMG	LHSFD	CX-NSZ510
0 0	P-SUPPLY/PWB/FAN	C 0025	87-A12-072-080	0E	CAP,E 100-25 SMG	USM	CX-SNAJ310
0 0	P-SUPPLY/PWB/FAN	C 0025	87-A12-072-080	0E	CAP,E 100-25 SMG	EZSFD	CX-NSZ315
0 0	P-SUPPLY/PWB/FAN	C 0025	87-A12-072-080	0E	CAP,E 100-25 SMG	EZSFD	CX-NSZ310
0 0	P-SUPPLY/PWB/FAN	C 0026	87-A12-072-080	0E	CAP,E 100-25 SMG	EZSFD	CX-NSZ315
0 0	P-SUPPLY/PWB/FAN	C 0026	87-A12-072-080	0E	CAP,E 100-25 SMG	EZSFD	CX-NSZ310

# PARTS LIST

! =  $\Delta$  SAFTY PARTS  
 C = Components marked

All components used on this model at the production line are shown in this service manual.

However, please note that not all components will be available as spare parts for after-sales service.

Components marked S and O are designated as spare parts for service and will be stocked at the spare parts centers.

Components marked X and R are not designated as spare parts for after sales service, and will not be stocked at the spare parts centers.

K NO. = Only use japanese.

! C	UNIT NAME	REF NO.	PARTS CODE	K NO.	DESCRIPTION	SUFFIX	MODEL NAME
0 0	P-SUPPLY/PWB/FAN	C 0026	87-A12-072-080	0E	CAP,E 100-25 SMG	KSFD	CX-NSZ310
0 0	P-SUPPLY/PWB/FAN	C 0026	87-A12-072-080	0E	CAP,E 100-25 SMG	LHSFD	CX-NSZ310
0 0	P-SUPPLY/PWB/FAN	C 0026	87-A12-072-080	0E	CAP,E 100-25 SMG	LHSFD	CX-NSZ510
0 0	P-SUPPLY/PWB/FAN	C 0026	87-A12-072-080	0E	CAP,E 100-25 SMG	USM	CX-SNAJ310
0 0	P-SUPPLY/PWB/FAN	C 0027	87-A12-072-080	0E	CAP,E 100-25 SMG	EZSFD	CX-NSZ315
0 0	P-SUPPLY/PWB/FAN	C 0027	87-A12-072-080	0E	CAP,E 100-25 SMG	EZSFD	CX-NSZ310
0 0	P-SUPPLY/PWB/FAN	C 0027	87-A12-072-080	0E	CAP,E 100-25 SMG	KSFD	CX-NSZ310
0 0	P-SUPPLY/PWB/FAN	C 0027	87-A12-072-080	0E	CAP,E 100-25 SMG	LHSFD	CX-NSZ310
0 0	P-SUPPLY/PWB/FAN	C 0027	87-A12-072-080	0E	CAP,E 100-25 SMG	LHSFD	CX-NSZ510
0 0	P-SUPPLY/PWB/FAN	C 0027	87-A12-072-080	0E	CAP,E 100-25 SMG	USM	CX-SNAJ310
0 0	P-SUPPLY/PWB/FAN	C 0028	87-A12-072-080	0E	CAP,E 100-25 SMG	EZSFD	CX-NSZ315
0 0	P-SUPPLY/PWB/FAN	C 0028	87-A12-072-080	0E	CAP,E 100-25 SMG	EZSFD	CX-NSZ310
0 0	P-SUPPLY/PWB/FAN	C 0028	87-A12-072-080	0E	CAP,E 100-25 SMG	KSFD	CX-NSZ310
0 0	P-SUPPLY/PWB/FAN	C 0028	87-A12-072-080	0E	CAP,E 100-25 SMG	LHSFD	CX-NSZ310
0 0	P-SUPPLY/PWB/FAN	C 0028	87-A12-072-080	0E	CAP,E 100-25 SMG	LHSFD	CX-NSZ510
0 0	P-SUPPLY/PWB/FAN	C 0028	87-A12-072-080	0E	CAP,E 100-25 SMG	USM	CX-SNAJ310
0 0	P-SUPPLY/PWB/FAN	C 0030	87-010-430-080	0E	CAP,E 100-63	LHSFD	CX-NSZ510
0 0	P-SUPPLY/PWB/FAN	C 0030	87-A12-095-080	0E	CAP,E 100-50 SMG	EZSFD	CX-NSZ315
0 0	P-SUPPLY/PWB/FAN	C 0030	87-A12-095-080	0E	CAP,E 100-50 SMG	EZSFD	CX-NSZ310
0 0	P-SUPPLY/PWB/FAN	C 0030	87-A12-095-080	0E	CAP,E 100-50 SMG	KSFD	CX-NSZ310
0 0	P-SUPPLY/PWB/FAN	C 0030	87-A12-095-080	0E	CAP,E 100-50 SMG	LHSFD	CX-NSZ310
0 0	P-SUPPLY/PWB/FAN	C 0030	87-A12-095-080	0E	CAP,E 100-50 SMG	USM	CX-SNAJ310
0 0	P-SUPPLY/PWB/FAN	C 0031	87-A12-062-080	0E	CAP,E 100-10 SMG	EZSFD	CX-NSZ315
0 0	P-SUPPLY/PWB/FAN	C 0031	87-A12-062-080	0E	CAP,E 100-10 SMG	EZSFD	CX-NSZ310
0 0	P-SUPPLY/PWB/FAN	C 0031	87-A12-062-080	0E	CAP,E 100-10 SMG	KSFD	CX-NSZ310
0 0	P-SUPPLY/PWB/FAN	C 0031	87-A12-062-080	0E	CAP,E 100-10 SMG	LHSFD	CX-NSZ310
0 0	P-SUPPLY/PWB/FAN	C 0031	87-A12-062-080	0E	CAP,E 100-10 SMG	LHSFD	CX-NSZ510
0 0	P-SUPPLY/PWB/FAN	C 0031	87-A12-062-080	0E	CAP,E 100-10 SMG	USM	CX-SNAJ310
0 0	P-SUPPLY/PWB/FAN	C 0032	87-012-286-080	0E	C-CAP,U 0.01-25 K B	EZSFD	CX-NSZ315
0 0	P-SUPPLY/PWB/FAN	C 0032	87-012-286-080	0E	C-CAP,U 0.01-25 K B	EZSFD	CX-NSZ310
0 0	P-SUPPLY/PWB/FAN	C 0032	87-012-286-080	0E	C-CAP,U 0.01-25 K B	KSFD	CX-NSZ310
0 0	P-SUPPLY/PWB/FAN	C 0032	87-012-286-080	0E	C-CAP,U 0.01-25 K B	LHSFD	CX-NSZ310
0 0	P-SUPPLY/PWB/FAN	C 0032	87-012-286-080	0E	C-CAP,U 0.01-25 K B	LHSFD	CX-NSZ510
0 0	P-SUPPLY/PWB/FAN	C 0032	87-012-286-080	0E	C-CAP,U 0.01-25 K B	USM	CX-SNAJ310
0 0	P-SUPPLY/PWB/FAN	C 0033	87-A12-062-080	0E	CAP,E 100-10 SMG	USM	CX-SNAJ310
0 0	P-SUPPLY/PWB/FAN	C 0034	87-A12-072-080	0E	CAP,E 100-25 SMG	EZSFD	CX-NSZ315
0 0	P-SUPPLY/PWB/FAN	C 0034	87-A12-072-080	0E	CAP,E 100-25 SMG	EZSFD	CX-NSZ310
0 0	P-SUPPLY/PWB/FAN	C 0034	87-A12-072-080	0E	CAP,E 100-25 SMG	KSFD	CX-NSZ310
0 0	P-SUPPLY/PWB/FAN	C 0034	87-A12-072-080	0E	CAP,E 100-25 SMG	LHSFD	CX-NSZ310
0 0	P-SUPPLY/PWB/FAN	C 0034	87-A12-072-080	0E	CAP,E 100-25 SMG	LHSFD	CX-NSZ510
0 0	P-SUPPLY/PWB/FAN	C 0034	87-A12-072-080	0E	CAP,E 100-25 SMG	USM	CX-SNAJ310
0 0	P-SUPPLY/PWB/FAN	C 0035	87-A12-071-080	0E	CAP,E 47-25 SMG	EZSFD	CX-NSZ315
0 0	P-SUPPLY/PWB/FAN	C 0035	87-A12-071-080	0E	CAP,E 47-25 SMG	EZSFD	CX-NSZ310
0 0	P-SUPPLY/PWB/FAN	C 0035	87-A12-071-080	0E	CAP,E 47-25 SMG	KSFD	CX-NSZ310
0 0	P-SUPPLY/PWB/FAN	C 0035	87-A12-071-080	0E	CAP,E 47-25 SMG	LHSFD	CX-NSZ310
0 0	P-SUPPLY/PWB/FAN	C 0035	87-A12-071-080	0E	CAP,E 47-25 SMG	LHSFD	CX-NSZ510
0 0	P-SUPPLY/PWB/FAN	C 0035	87-A12-071-080	0E	CAP,E 47-25 SMG	USM	CX-SNAJ310
0 0	P-SUPPLY/PWB/FAN	C 0036	87-A12-067-080	0E	CAP,E 330-16 SMG	EZSFD	CX-NSZ315
0 0	P-SUPPLY/PWB/FAN	C 0036	87-A12-067-080	0E	CAP,E 330-16 SMG	EZSFD	CX-NSZ310
0 0	P-SUPPLY/PWB/FAN	C 0036	87-A12-067-080	0E	CAP,E 330-16 SMG	KSFD	CX-NSZ310
0 0	P-SUPPLY/PWB/FAN	C 0036	87-A12-067-080	0E	CAP,E 330-16 SMG	LHSFD	CX-NSZ310
0 0	P-SUPPLY/PWB/FAN	C 0036	87-A12-067-080	0E	CAP,E 330-16 SMG	LHSFD	CX-NSZ510
0 0	P-SUPPLY/PWB/FAN	C 0038	87-012-286-080	0E	C-CAP,U 0.01-25 K B	EZSFD	CX-NSZ315
0 0	P-SUPPLY/PWB/FAN	C 0038	87-012-286-080	0E	C-CAP,U 0.01-25 K B	EZSFD	CX-NSZ310
0 0	P-SUPPLY/PWB/FAN	C 0038	87-012-286-080	0E	C-CAP,U 0.01-25 K B	KSFD	CX-NSZ310
0 0	P-SUPPLY/PWB/FAN	C 0038	87-012-286-080	0E	C-CAP,U 0.01-25 K B	LHSFD	CX-NSZ310
0 0	P-SUPPLY/PWB/FAN	C 0038	87-012-286-080	0E	C-CAP,U 0.01-25 K B	LHSFD	CX-NSZ510
0 0	P-SUPPLY/PWB/FAN	C 0038	87-012-286-080	0E	C-CAP,U 0.01-25 K B	USM	CX-SNAJ310
0 0	P-SUPPLY/PWB/FAN	C 0060	87-A12-089-080	0E	CAP,E 3.3-50 SMG	EZSFD	CX-NSZ315
0 0	P-SUPPLY/PWB/FAN	C 0060	87-A12-089-080	0E	CAP,E 3.3-50 SMG	EZSFD	CX-NSZ310
0 0	P-SUPPLY/PWB/FAN	C 0060	87-A12-089-080	0E	CAP,E 3.3-50 SMG	KSFD	CX-NSZ310
0 0	P-SUPPLY/PWB/FAN	C 0060	87-A12-089-080	0E	CAP,E 3.3-50 SMG	LHSFD	CX-NSZ310
0 0	P-SUPPLY/PWB/FAN	C 0060	87-A12-089-080	0E	CAP,E 3.3-50 SMG	LHSFD	CX-NSZ510
0 0	P-SUPPLY/PWB/FAN	C 0060	87-A12-089-080	0E	CAP,E 3.3-50 SMG	USM	CX-SNAJ310
0 0	P-SUPPLY/PWB/FAN	C 0061	87-A12-071-080	0E	CAP,E 47-25 SMG	EZSFD	CX-NSZ315
0 0	P-SUPPLY/PWB/FAN	C 0061	87-A12-071-080	0E	CAP,E 47-25 SMG	EZSFD	CX-NSZ310
0 0	P-SUPPLY/PWB/FAN	C 0061	87-A12-071-080	0E	CAP,E 47-25 SMG	KSFD	CX-NSZ310
0 0	P-SUPPLY/PWB/FAN	C 0061	87-A12-071-080	0E	CAP,E 47-25 SMG	LHSFD	CX-NSZ310
0 0	P-SUPPLY/PWB/FAN	C 0061	87-A12-071-080	0E	CAP,E 47-25 SMG	LHSFD	CX-NSZ510

# PARTS LIST

! =  $\Delta$  SAFTY PARTS  
 C = Components marked

All components used on this model at the production line are shown in this service manual.

However, please note that not all components will be available as spare parts for after-sales service.

Components marked S and O are designated as spare parts for service and will be stocked at the spare parts centers.

Components marked X and R are not designated as spare parts for after sales service, and will not be stocked at the spare parts centers.

K NO. = Only use japanese.

! C	UNIT NAME	REF NO.	PARTS CODE	K NO.	DESCRIPTION	SUFFIX	MODEL NAME
0 O	P-SUPPLY/PWB/FAN	C 0061	87-A12-071-080	0E	CAP,E 47-25 SMG	USM	CX-SNAJ310
0 O	P-SUPPLY/PWB/FAN	C 0083	87-A12-068-080	0E	CAP,E 470-16 SMG	EZSFD	CX-NSZ315
0 O	P-SUPPLY/PWB/FAN	C 0083	87-A12-068-080	0E	CAP,E 470-16 SMG	EZSFD	CX-NSZ310
0 O	P-SUPPLY/PWB/FAN	C 0083	87-A12-068-080	0E	CAP,E 470-16 SMG	KSFD	CX-NSZ310
0 O	P-SUPPLY/PWB/FAN	C 0083	87-A12-074-080	0E	CAP,E 470-25 SMG	LHSFD	CX-NSZ310
0 O	P-SUPPLY/PWB/FAN	C 0083	87-A12-074-080	0E	CAP,E 470-25 SMG	LHSFD	CX-NSZ510
0 O	P-SUPPLY/PWB/FAN	C 0083	87-A12-074-080	0E	CAP,E 470-25 SMG	USM	CX-SNAJ310
0 O	P-SUPPLY/PWB/FAN	C 0097	87-010-831-080	0E	C-CAP,U 0.1-16 Z F	EZSFD	CX-NSZ315
0 O	P-SUPPLY/PWB/FAN	C 0097	87-010-831-080	0E	C-CAP,U 0.1-16 Z F	EZSFD	CX-NSZ310
0 O	P-SUPPLY/PWB/FAN	C 0097	87-010-831-080	0E	C-CAP,U 0.1-16 Z F	KSFD	CX-NSZ310
0 O	P-SUPPLY/PWB/FAN	C 0097	87-010-831-080	0E	C-CAP,U 0.1-16 Z F	LHSFD	CX-NSZ310
0 O	P-SUPPLY/PWB/FAN	C 0097	87-010-831-080	0E	C-CAP,U 0.1-16 Z F	LHSFD	CX-NSZ510
0 O	P-SUPPLY/PWB/FAN	C 0097	87-010-831-080	0E	C-CAP,U 0.1-16 Z F	USM	CX-SNAJ310
0 O	P-SUPPLY/PWB/FAN	CNA0001	8A-NF8-653-010	1B	CONN ASSY,9P TID-A(480)	LHSFD	CX-NSZ310
0 O	P-SUPPLY/PWB/FAN	CNA0001	8A-NF8-653-010	1B	CONN ASSY,9P TID-A(480)	LHSFD	CX-NSZ510
0 S	P-SUPPLY/PWB/FAN	D 0001	87-A40-393-090	0E	DIODE,1N5402GW(F20)	LHSFD	CX-NSZ510
0 S	P-SUPPLY/PWB/FAN	D 0002	87-A40-393-090	0E	DIODE,1N5402GW(F20)	LHSFD	CX-NSZ510
0 S	P-SUPPLY/PWB/FAN	D 0003	87-A40-393-090	0E	DIODE,1N5402GW(F20)	LHSFD	CX-NSZ510
0 S	P-SUPPLY/PWB/FAN	D 0004	87-A40-393-090	0E	DIODE,1N5402GW(F20)	LHSFD	CX-NSZ510
0 S	P-SUPPLY/PWB/FAN	D 0005	87-A40-393-090	0E	DIODE,1N5402GW(F20)	LHSFD	CX-NSZ510
0 S	P-SUPPLY/PWB/FAN	D 0006	87-A40-393-090	0E	DIODE,1N5402GW(F20)	LHSFD	CX-NSZ510
0 S	P-SUPPLY/PWB/FAN	D 0007	87-A40-393-090	0E	DIODE,1N5402GW(F20)	LHSFD	CX-NSZ510
0 S	P-SUPPLY/PWB/FAN	D 0008	87-A40-393-090	0E	DIODE,1N5402GW(F20)	LHSFD	CX-NSZ510
0 S	P-SUPPLY/PWB/FAN	D 0013	87-A40-454-090	0E	DIODE,1N5393 GW 12.5	EZSFD	CX-NSZ315
0 S	P-SUPPLY/PWB/FAN	D 0013	87-A40-454-090	0E	DIODE,1N5393 GW 12.5	EZSFD	CX-NSZ310
0 S	P-SUPPLY/PWB/FAN	D 0013	87-A40-454-090	0E	DIODE,1N5393 GW 12.5	KSFD	CX-NSZ310
0 S	P-SUPPLY/PWB/FAN	D 0013	87-A40-455-090	0E	DIODE,RL203 GW	LHSFD	CX-NSZ310
0 S	P-SUPPLY/PWB/FAN	D 0013	87-A40-455-090	0E	DIODE,RL203 GW	USM	CX-SNAJ310
0 S	P-SUPPLY/PWB/FAN	D 0014	87-A40-454-090	0E	DIODE,1N5393 GW 12.5	EZSFD	CX-NSZ315
0 S	P-SUPPLY/PWB/FAN	D 0014	87-A40-454-090	0E	DIODE,1N5393 GW 12.5	EZSFD	CX-NSZ310
0 S	P-SUPPLY/PWB/FAN	D 0014	87-A40-454-090	0E	DIODE,1N5393 GW 12.5	KSFD	CX-NSZ310
0 S	P-SUPPLY/PWB/FAN	D 0014	87-A40-455-090	0E	DIODE,RL203 GW	LHSFD	CX-NSZ310
0 S	P-SUPPLY/PWB/FAN	D 0014	87-A40-455-090	0E	DIODE,RL203 GW	USM	CX-SNAJ310
0 S	P-SUPPLY/PWB/FAN	D 0015	87-A40-454-090	0E	DIODE,1N5393 GW 12.5	EZSFD	CX-NSZ315
0 S	P-SUPPLY/PWB/FAN	D 0015	87-A40-454-090	0E	DIODE,1N5393 GW 12.5	EZSFD	CX-NSZ310
0 S	P-SUPPLY/PWB/FAN	D 0015	87-A40-454-090	0E	DIODE,1N5393 GW 12.5	KSFD	CX-NSZ310
0 S	P-SUPPLY/PWB/FAN	D 0015	87-A40-455-090	0E	DIODE,RL203 GW	LHSFD	CX-NSZ310
0 S	P-SUPPLY/PWB/FAN	D 0015	87-A40-455-090	0E	DIODE,RL203 GW	USM	CX-SNAJ310
0 S	P-SUPPLY/PWB/FAN	D 0016	87-A40-454-090	0E	DIODE,1N5393 GW 12.5	EZSFD	CX-NSZ315
0 S	P-SUPPLY/PWB/FAN	D 0016	87-A40-454-090	0E	DIODE,1N5393 GW 12.5	EZSFD	CX-NSZ310
0 S	P-SUPPLY/PWB/FAN	D 0016	87-A40-454-090	0E	DIODE,1N5393 GW 12.5	KSFD	CX-NSZ310
0 S	P-SUPPLY/PWB/FAN	D 0016	87-A40-455-090	0E	DIODE,RL203 GW	LHSFD	CX-NSZ310
0 S	P-SUPPLY/PWB/FAN	D 0016	87-A40-455-090	0E	DIODE,RL203 GW	USM	CX-SNAJ310
0 S	P-SUPPLY/PWB/FAN	D 0017	87-A40-454-090	0E	DIODE,1N5393 GW 12.5	EZSFD	CX-NSZ315
0 S	P-SUPPLY/PWB/FAN	D 0017	87-A40-454-090	0E	DIODE,1N5393 GW 12.5	EZSFD	CX-NSZ310
0 S	P-SUPPLY/PWB/FAN	D 0017	87-A40-454-090	0E	DIODE,1N5393 GW 12.5	KSFD	CX-NSZ310
0 S	P-SUPPLY/PWB/FAN	D 0017	87-A40-454-090	0E	DIODE,1N5393 GW 12.5	USM	CX-SNAJ310
0 S	P-SUPPLY/PWB/FAN	D 0017	87-A40-455-090	0E	DIODE,RL203 GW	LHSFD	CX-NSZ310
0 S	P-SUPPLY/PWB/FAN	D 0018	87-A40-454-090	0E	DIODE,1N5393 GW 12.5	EZSFD	CX-NSZ315
0 S	P-SUPPLY/PWB/FAN	D 0018	87-A40-454-090	0E	DIODE,1N5393 GW 12.5	EZSFD	CX-NSZ310
0 S	P-SUPPLY/PWB/FAN	D 0018	87-A40-454-090	0E	DIODE,1N5393 GW 12.5	KSFD	CX-NSZ310
0 S	P-SUPPLY/PWB/FAN	D 0018	87-A40-454-090	0E	DIODE,1N5393 GW 12.5	USM	CX-SNAJ310
0 S	P-SUPPLY/PWB/FAN	D 0019	87-A40-454-090	0E	DIODE,1N5393 GW 12.5	EZSFD	CX-NSZ315
0 S	P-SUPPLY/PWB/FAN	D 0019	87-A40-454-090	0E	DIODE,1N5393 GW 12.5	EZSFD	CX-NSZ310
0 S	P-SUPPLY/PWB/FAN	D 0019	87-A40-454-090	0E	DIODE,1N5393 GW 12.5	KSFD	CX-NSZ310
0 S	P-SUPPLY/PWB/FAN	D 0019	87-A40-454-090	0E	DIODE,1N5393 GW 12.5	USM	CX-SNAJ310
0 S	P-SUPPLY/PWB/FAN	D 0019	87-A40-455-090	0E	DIODE,RL203 GW	LHSFD	CX-NSZ310
0 S	P-SUPPLY/PWB/FAN	D 0020	87-A40-454-090	0E	DIODE,1N5393 GW 12.5	EZSFD	CX-NSZ315
0 S	P-SUPPLY/PWB/FAN	D 0020	87-A40-454-090	0E	DIODE,1N5393 GW 12.5	EZSFD	CX-NSZ310
0 S	P-SUPPLY/PWB/FAN	D 0020	87-A40-454-090	0E	DIODE,1N5393 GW 12.5	KSFD	CX-NSZ310
0 S	P-SUPPLY/PWB/FAN	D 0020	87-A40-454-090	0E	DIODE,1N5393 GW 12.5	USM	CX-SNAJ310
0 S	P-SUPPLY/PWB/FAN	D 0025	87-A40-553-080	0E	DIODE,1N4003 LES	EZSFD	CX-NSZ315
0 S	P-SUPPLY/PWB/FAN	D 0025	87-A40-553-080	0E	DIODE,1N4003 LES	EZSFD	CX-NSZ310
0 S	P-SUPPLY/PWB/FAN	D 0025	87-A40-553-080	0E	DIODE,1N4003 LES	KSFD	CX-NSZ310
0 S	P-SUPPLY/PWB/FAN	D 0025	87-A40-553-080	0E	DIODE,1N4003 LES	LHSFD	CX-NSZ310
0 S	P-SUPPLY/PWB/FAN	D 0025	87-A40-553-080	0E	DIODE,1N4003 LES	LHSFD	CX-NSZ510
0 S	P-SUPPLY/PWB/FAN	D 0025	87-A40-553-080	0E	DIODE,1N4003 LES	USM	CX-SNAJ310
0 S	P-SUPPLY/PWB/FAN	D 0026	87-A40-553-080	0E	DIODE,1N4003 LES	EZSFD	CX-NSZ315

# PARTS LIST

! =  $\Delta$  SAFTY PARTS  
 C = Components marked

All components used on this model at the production line are shown in this service manual.  
 However, please note that not all components will be available as spare parts for after-sales service.  
 Components marked S and O are designated as spare parts for service and will be stocked at the spare parts centers.  
 Components marked X and R are not designated as spare parts for after sales service, and will not be stocked at the spare parts centers.

K NO. = Only use japanese.

! C	UNIT NAME	REF NO.	PARTS CODE	K NO.	DESCRIPTION	SUFFIX	MODEL NAME
0 S	P-SUPPLY/PWB/FAN	D 0026	87-A40-553-080	0E	DIODE,1N4003 LES	EZSFD	CX-NSZ310
0 S	P-SUPPLY/PWB/FAN	D 0026	87-A40-553-080	0E	DIODE,1N4003 LES	KSFD	CX-NSZ310
0 S	P-SUPPLY/PWB/FAN	D 0026	87-A40-553-080	0E	DIODE,1N4003 LES	LHSFD	CX-NSZ310
0 S	P-SUPPLY/PWB/FAN	D 0026	87-A40-553-080	0E	DIODE,1N4003 LES	LHSFD	CX-NSZ510
0 S	P-SUPPLY/PWB/FAN	D 0026	87-A40-553-080	0E	DIODE,1N4003 LES	USM	CX-SNAJ310
0 S	P-SUPPLY/PWB/FAN	D 0027	87-A40-553-080	0E	DIODE,1N4003 LES	EZSFD	CX-NSZ315
0 S	P-SUPPLY/PWB/FAN	D 0027	87-A40-553-080	0E	DIODE,1N4003 LES	EZSFD	CX-NSZ310
0 S	P-SUPPLY/PWB/FAN	D 0027	87-A40-553-080	0E	DIODE,1N4003 LES	KSFD	CX-NSZ310
0 S	P-SUPPLY/PWB/FAN	D 0027	87-A40-553-080	0E	DIODE,1N4003 LES	LHSFD	CX-NSZ310
0 S	P-SUPPLY/PWB/FAN	D 0027	87-A40-553-080	0E	DIODE,1N4003 LES	LHSFD	CX-NSZ510
0 S	P-SUPPLY/PWB/FAN	D 0027	87-A40-553-080	0E	DIODE,1N4003 LES	USM	CX-SNAJ310
0 S	P-SUPPLY/PWB/FAN	D 0028	87-A40-553-080	0E	DIODE,1N4003 LES	EZSFD	CX-NSZ315
0 S	P-SUPPLY/PWB/FAN	D 0028	87-A40-553-080	0E	DIODE,1N4003 LES	EZSFD	CX-NSZ310
0 S	P-SUPPLY/PWB/FAN	D 0028	87-A40-553-080	0E	DIODE,1N4003 LES	KSFD	CX-NSZ310
0 S	P-SUPPLY/PWB/FAN	D 0028	87-A40-553-080	0E	DIODE,1N4003 LES	LHSFD	CX-NSZ310
0 S	P-SUPPLY/PWB/FAN	D 0028	87-A40-553-080	0E	DIODE,1N4003 LES	LHSFD	CX-NSZ510
0 S	P-SUPPLY/PWB/FAN	D 0028	87-A40-553-080	0E	DIODE,1N4003 LES	USM	CX-SNAJ310
0 S	P-SUPPLY/PWB/FAN	D 0029	87-A40-776-080	0E	ZENER,UZ27BSD	EZSFD	CX-NSZ315
0 S	P-SUPPLY/PWB/FAN	D 0029	87-A40-776-080	0E	ZENER,UZ27BSD	EZSFD	CX-NSZ310
0 S	P-SUPPLY/PWB/FAN	D 0029	87-A40-776-080	0E	ZENER,UZ27BSD	KSFD	CX-NSZ310
0 S	P-SUPPLY/PWB/FAN	D 0029	87-A40-776-080	0E	ZENER,UZ27BSD	LHSFD	CX-NSZ310
0 S	P-SUPPLY/PWB/FAN	D 0029	87-A40-776-080	0E	ZENER,UZ27BSD	LHSFD	CX-NSZ510
0 S	P-SUPPLY/PWB/FAN	D 0029	87-A40-776-080	0E	ZENER,UZ27BSD	USM	CX-SNAJ310
0 S	P-SUPPLY/PWB/FAN	D 0030	87-A40-291-080	0E	DIODE,1N4148M (CPT)	EZSFD	CX-NSZ315
0 S	P-SUPPLY/PWB/FAN	D 0030	87-A40-291-080	0E	DIODE,1N4148M (CPT)	EZSFD	CX-NSZ310
0 S	P-SUPPLY/PWB/FAN	D 0030	87-A40-291-080	0E	DIODE,1N4148M (CPT)	KSFD	CX-NSZ310
0 S	P-SUPPLY/PWB/FAN	D 0030	87-A40-291-080	0E	DIODE,1N4148M (CPT)	LHSFD	CX-NSZ310
0 S	P-SUPPLY/PWB/FAN	D 0030	87-A40-291-080	0E	DIODE,1N4148M (CPT)	LHSFD	CX-NSZ510
0 S	P-SUPPLY/PWB/FAN	D 0030	87-A40-291-080	0E	DIODE,1N4148M (CPT)	USM	CX-SNAJ310
0 S	P-SUPPLY/PWB/FAN	D 0031	87-A40-764-080	0E	ZENER,UZ10BSC	EZSFD	CX-NSZ315
0 S	P-SUPPLY/PWB/FAN	D 0031	87-A40-764-080	0E	ZENER,UZ10BSC	EZSFD	CX-NSZ310
0 S	P-SUPPLY/PWB/FAN	D 0031	87-A40-764-080	0E	ZENER,UZ10BSC	KSFD	CX-NSZ310
0 S	P-SUPPLY/PWB/FAN	D 0031	87-A40-764-080	0E	ZENER,UZ10BSC	LHSFD	CX-NSZ310
0 S	P-SUPPLY/PWB/FAN	D 0031	87-A40-764-080	0E	ZENER,UZ10BSC	LHSFD	CX-NSZ510
0 S	P-SUPPLY/PWB/FAN	D 0031	87-A40-764-080	0E	ZENER,UZ10BSC	USM	CX-SNAJ310
0 S	P-SUPPLY/PWB/FAN	D 0033	87-A40-553-080	0E	DIODE,1N4003 LES	EZSFD	CX-NSZ315
0 S	P-SUPPLY/PWB/FAN	D 0033	87-A40-553-080	0E	DIODE,1N4003 LES	EZSFD	CX-NSZ310
0 S	P-SUPPLY/PWB/FAN	D 0033	87-A40-553-080	0E	DIODE,1N4003 LES	KSFD	CX-NSZ310
0 S	P-SUPPLY/PWB/FAN	D 0033	87-A40-553-080	0E	DIODE,1N4003 LES	LHSFD	CX-NSZ310
0 S	P-SUPPLY/PWB/FAN	D 0033	87-A40-553-080	0E	DIODE,1N4003 LES	LHSFD	CX-NSZ510
0 S	P-SUPPLY/PWB/FAN	D 0033	87-A40-553-080	0E	DIODE,1N4003 LES	USM	CX-SNAJ310
0 S	P-SUPPLY/PWB/FAN	D 0034	87-A40-291-080	0E	DIODE,1N4148M (CPT)	EZSFD	CX-NSZ315
0 S	P-SUPPLY/PWB/FAN	D 0034	87-A40-291-080	0E	DIODE,1N4148M (CPT)	EZSFD	CX-NSZ310
0 S	P-SUPPLY/PWB/FAN	D 0034	87-A40-291-080	0E	DIODE,1N4148M (CPT)	KSFD	CX-NSZ310
0 S	P-SUPPLY/PWB/FAN	D 0034	87-A40-291-080	0E	DIODE,1N4148M (CPT)	LHSFD	CX-NSZ310
0 S	P-SUPPLY/PWB/FAN	D 0034	87-A40-291-080	0E	DIODE,1N4148M (CPT)	LHSFD	CX-NSZ510
0 S	P-SUPPLY/PWB/FAN	D 0034	87-A40-291-080	0E	DIODE,1N4148M (CPT)	USM	CX-SNAJ310
0 S	P-SUPPLY/PWB/FAN	D 0035	87-A40-291-080	0E	DIODE,1N4148M (CPT)	EZSFD	CX-NSZ315
0 S	P-SUPPLY/PWB/FAN	D 0035	87-A40-291-080	0E	DIODE,1N4148M (CPT)	EZSFD	CX-NSZ310
0 S	P-SUPPLY/PWB/FAN	D 0035	87-A40-291-080	0E	DIODE,1N4148M (CPT)	KSFD	CX-NSZ310
0 S	P-SUPPLY/PWB/FAN	D 0035	87-A40-291-080	0E	DIODE,1N4148M (CPT)	LHSFD	CX-NSZ310
0 S	P-SUPPLY/PWB/FAN	D 0035	87-A40-291-080	0E	DIODE,1N4148M (CPT)	LHSFD	CX-NSZ510
0 S	P-SUPPLY/PWB/FAN	D 0041	87-A40-270-080	0E	C-DIODE,MC2838	EZSFD	CX-NSZ315
0 S	P-SUPPLY/PWB/FAN	D 0041	87-A40-270-080	0E	C-DIODE,MC2838	EZSFD	CX-NSZ310
0 S	P-SUPPLY/PWB/FAN	D 0041	87-A40-270-080	0E	C-DIODE,MC2838	KSFD	CX-NSZ310
0 S	P-SUPPLY/PWB/FAN	D 0041	87-A40-270-080	0E	C-DIODE,MC2838	LHSFD	CX-NSZ310
0 S	P-SUPPLY/PWB/FAN	D 0041	87-A40-270-080	0E	C-DIODE,MC2838	LHSFD	CX-NSZ510
0 S	P-SUPPLY/PWB/FAN	D 0041	87-A40-270-080	0E	C-DIODE,MC2838	USM	CX-SNAJ310
0 S	P-SUPPLY/PWB/FAN	D 0042	87-A40-269-080	0E	C-DIODE,MC2836	EZSFD	CX-NSZ315
0 S	P-SUPPLY/PWB/FAN	D 0042	87-A40-269-080	0E	C-DIODE,MC2836	EZSFD	CX-NSZ310
0 S	P-SUPPLY/PWB/FAN	D 0042	87-A40-269-080	0E	C-DIODE,MC2836	KSFD	CX-NSZ310
0 S	P-SUPPLY/PWB/FAN	D 0042	87-A40-269-080	0E	C-DIODE,MC2836	LHSFD	CX-NSZ310
0 S	P-SUPPLY/PWB/FAN	D 0042	87-A40-269-080	0E	C-DIODE,MC2836	LHSFD	CX-NSZ510
0 S	P-SUPPLY/PWB/FAN	D 0042	87-A40-269-080	0E	C-DIODE,MC2836	USM	CX-SNAJ310
0 S	P-SUPPLY/PWB/FAN	D 0060	87-A40-291-080	0E	DIODE,1N4148M (CPT)	EZSFD	CX-NSZ315
0 S	P-SUPPLY/PWB/FAN	D 0060	87-A40-291-080	0E	DIODE,1N4148M (CPT)	EZSFD	CX-NSZ310
0 S	P-SUPPLY/PWB/FAN	D 0060	87-A40-291-080	0E	DIODE,1N4148M (CPT)	KSFD	CX-NSZ310
0 S	P-SUPPLY/PWB/FAN	D 0060	87-A40-291-080	0E	DIODE,1N4148M (CPT)	LHSFD	CX-NSZ310
0 S	P-SUPPLY/PWB/FAN	D 0060	87-A40-291-080	0E	DIODE,1N4148M (CPT)	LHSFD	CX-NSZ510





# PARTS LIST

! =  $\Delta$  SAFTY PARTS  
 C = Components marked

All components used on this model at the production line are shown in this service manual.

However, please note that not all components will be available as spare parts for after-sales service.

Components marked S and O are designated as spare parts for service and will be stocked at the spare parts centers.

Components marked X and R are not designated as spare parts for after sales service, and will not be stocked at the spare parts centers.

K NO. = Only use japanese.

! C	UNIT NAME	REF NO.	PARTS CODE	K NO.	DESCRIPTION	SUFFIX	MODEL NAME
0 X	P-SUPPLY/PWB/FAN	JR 0005	88-108-000-080	0E	C-JUMPER, U	LHSFD	CX-NSZ310
0 X	P-SUPPLY/PWB/FAN	JR 0005	88-108-000-080	0E	C-JUMPER, U	LHSFD	CX-NSZ510
0 X	P-SUPPLY/PWB/FAN	JR 0005	88-108-000-080	0E	C-JUMPER, U	USM	CX-SNAJ310
X	P-SUPPLY/PWB/FAN	JR 0006	88-129-000-080	0E	C-JUMPER, 3216	EZSFD	CX-NSZ315
0 X	P-SUPPLY/PWB/FAN	JR 0006	88-129-000-080	0E	C-JUMPER, 3216	EZSFD	CX-NSZ310
0 X	P-SUPPLY/PWB/FAN	JR 0006	88-129-000-080	0E	C-JUMPER, 3216	KSFD	CX-NSZ310
0 X	P-SUPPLY/PWB/FAN	JR 0006	88-129-000-080	0E	C-JUMPER, 3216	LHSFD	CX-NSZ310
0 X	P-SUPPLY/PWB/FAN	JR 0006	88-129-000-080	0E	C-JUMPER, 3216	LHSFD	CX-NSZ510
0 X	P-SUPPLY/PWB/FAN	JR 0006	88-129-000-080	0E	C-JUMPER, 3216	USM	CX-SNAJ310
0 X	P-SUPPLY/PWB/FAN	JR 0023	88-128-560-080	0E	C-RES, 56-1/8W J	USM	CX-SNAJ310
X	P-SUPPLY/PWB/FAN	JR 0023	88-128-680-080	0E	C-RES, 68-1/8W J	EZSFD	CX-NSZ315
0 X	P-SUPPLY/PWB/FAN	JR 0023	88-128-680-080	0E	C-RES, 68-1/8W J	EZSFD	CX-NSZ310
0 X	P-SUPPLY/PWB/FAN	JR 0023	88-128-680-080	0E	C-RES, 68-1/8W J	KSFD	CX-NSZ310
0 X	P-SUPPLY/PWB/FAN	JR 0023	88-128-680-080	0E	C-RES, 68-1/8W J	LHSFD	CX-NSZ510
0 X	P-SUPPLY/PWB/FAN	JR 0023	88-128-820-080	0E	C-RES, 82-1/8W J	LHSFD	CX-NSZ310
0 X	P-SUPPLY/PWB/FAN	JR 0024	88-128-560-080	0E	C-RES, 56-1/8W J	USM	CX-SNAJ310
X	P-SUPPLY/PWB/FAN	JR 0024	88-128-680-080	0E	C-RES, 68-1/8W J	EZSFD	CX-NSZ315
0 X	P-SUPPLY/PWB/FAN	JR 0024	88-128-680-080	0E	C-RES, 68-1/8W J	EZSFD	CX-NSZ310
0 X	P-SUPPLY/PWB/FAN	JR 0024	88-128-680-080	0E	C-RES, 68-1/8W J	KSFD	CX-NSZ310
0 X	P-SUPPLY/PWB/FAN	JR 0024	88-128-680-080	0E	C-RES, 68-1/8W J	LHSFD	CX-NSZ510
0 X	P-SUPPLY/PWB/FAN	JR 0024	88-128-820-080	0E	C-RES, 82-1/8W J	LHSFD	CX-NSZ310
S	P-SUPPLY/PWB/FAN	Q 0001	87-A30-494-080	0E	TR, 2SA1980G	EZSFD	CX-NSZ315
0 S	P-SUPPLY/PWB/FAN	Q 0001	87-A30-494-080	0E	TR, 2SA1980G	EZSFD	CX-NSZ310
0 S	P-SUPPLY/PWB/FAN	Q 0001	87-A30-494-080	0E	TR, 2SA1980G	KSFD	CX-NSZ310
0 S	P-SUPPLY/PWB/FAN	Q 0001	87-A30-494-080	0E	TR, 2SA1980G	LHSFD	CX-NSZ310
0 S	P-SUPPLY/PWB/FAN	Q 0001	87-A30-494-080	0E	TR, 2SA1980G	LHSFD	CX-NSZ510
0 S	P-SUPPLY/PWB/FAN	Q 0001	87-A30-494-080	0E	TR, 2SA1980G	USM	CX-SNAJ310
S	P-SUPPLY/PWB/FAN	Q 0002	87-A30-494-080	0E	TR, 2SA1980G	EZSFD	CX-NSZ315
0 S	P-SUPPLY/PWB/FAN	Q 0002	87-A30-494-080	0E	TR, 2SA1980G	EZSFD	CX-NSZ310
0 S	P-SUPPLY/PWB/FAN	Q 0002	87-A30-494-080	0E	TR, 2SA1980G	KSFD	CX-NSZ310
0 S	P-SUPPLY/PWB/FAN	Q 0002	87-A30-494-080	0E	TR, 2SA1980G	LHSFD	CX-NSZ310
0 S	P-SUPPLY/PWB/FAN	Q 0002	87-A30-494-080	0E	TR, 2SA1980G	LHSFD	CX-NSZ510
0 S	P-SUPPLY/PWB/FAN	Q 0002	87-A30-494-080	0E	TR, 2SA1980G	USM	CX-SNAJ310
S	P-SUPPLY/PWB/FAN	Q 0005	87-026-610-080	0E	TR, KTC3198GR	EZSFD	CX-NSZ315
0 S	P-SUPPLY/PWB/FAN	Q 0005	87-026-610-080	0E	TR, KTC3198GR	EZSFD	CX-NSZ310
0 S	P-SUPPLY/PWB/FAN	Q 0005	87-026-610-080	0E	TR, KTC3198GR	KSFD	CX-NSZ310
0 S	P-SUPPLY/PWB/FAN	Q 0005	87-026-610-080	0E	TR, KTC3198GR	LHSFD	CX-NSZ310
0 S	P-SUPPLY/PWB/FAN	Q 0005	87-026-610-080	0E	TR, KTC3198GR	LHSFD	CX-NSZ510
0 S	P-SUPPLY/PWB/FAN	Q 0005	87-026-610-080	0E	TR, KTC3198GR	USM	CX-SNAJ310
S	P-SUPPLY/PWB/FAN	Q 0006	87-A30-076-080	0E	C-TR, 2SC3052F	EZSFD	CX-NSZ315
0 S	P-SUPPLY/PWB/FAN	Q 0006	87-A30-076-080	0E	C-TR, 2SC3052F	EZSFD	CX-NSZ310
0 S	P-SUPPLY/PWB/FAN	Q 0006	87-A30-076-080	0E	C-TR, 2SC3052F	KSFD	CX-NSZ310
0 S	P-SUPPLY/PWB/FAN	Q 0006	87-A30-076-080	0E	C-TR, 2SC3052F	LHSFD	CX-NSZ310
0 S	P-SUPPLY/PWB/FAN	Q 0006	87-A30-076-080	0E	C-TR, 2SC3052F	LHSFD	CX-NSZ510
0 S	P-SUPPLY/PWB/FAN	Q 0006	87-A30-076-080	0E	C-TR, 2SC3052F	USM	CX-SNAJ310
0 S	P-SUPPLY/PWB/FAN	Q 0007	87-A30-075-080	0E	C-TR, 2SA1235F	USM	CX-SNAJ310
S	P-SUPPLY/PWB/FAN	Q 0008	87-A30-075-080	0E	C-TR, 2SA1235F	EZSFD	CX-NSZ315
0 S	P-SUPPLY/PWB/FAN	Q 0008	87-A30-075-080	0E	C-TR, 2SA1235F	EZSFD	CX-NSZ310
0 S	P-SUPPLY/PWB/FAN	Q 0008	87-A30-075-080	0E	C-TR, 2SA1235F	KSFD	CX-NSZ310
0 S	P-SUPPLY/PWB/FAN	Q 0008	87-A30-075-080	0E	C-TR, 2SA1235F	LHSFD	CX-NSZ310
0 S	P-SUPPLY/PWB/FAN	Q 0008	87-A30-075-080	0E	C-TR, 2SA1235F	LHSFD	CX-NSZ510
0 S	P-SUPPLY/PWB/FAN	Q 0008	87-A30-075-080	0E	C-TR, 2SA1235F	USM	CX-SNAJ310
S	P-SUPPLY/PWB/FAN	Q 0009	87-A30-494-080	0E	TR, 2SA1980G	EZSFD	CX-NSZ315
0 S	P-SUPPLY/PWB/FAN	Q 0009	87-A30-494-080	0E	TR, 2SA1980G	EZSFD	CX-NSZ310
0 S	P-SUPPLY/PWB/FAN	Q 0009	87-A30-494-080	0E	TR, 2SA1980G	KSFD	CX-NSZ310
0 S	P-SUPPLY/PWB/FAN	Q 0009	87-A30-494-080	0E	TR, 2SA1980G	LHSFD	CX-NSZ310
0 S	P-SUPPLY/PWB/FAN	Q 0009	87-A30-494-080	0E	TR, 2SA1980G	LHSFD	CX-NSZ510
0 S	P-SUPPLY/PWB/FAN	Q 0009	87-A30-494-080	0E	TR, 2SA1980G	USM	CX-SNAJ310
S	P-SUPPLY/PWB/FAN	Q 0010	87-A30-076-080	0E	C-TR, 2SC3052F	EZSFD	CX-NSZ315
0 S	P-SUPPLY/PWB/FAN	Q 0010	87-A30-076-080	0E	C-TR, 2SC3052F	EZSFD	CX-NSZ310
0 S	P-SUPPLY/PWB/FAN	Q 0010	87-A30-076-080	0E	C-TR, 2SC3052F	KSFD	CX-NSZ310
0 S	P-SUPPLY/PWB/FAN	Q 0010	87-A30-076-080	0E	C-TR, 2SC3052F	LHSFD	CX-NSZ310
0 S	P-SUPPLY/PWB/FAN	Q 0010	87-A30-076-080	0E	C-TR, 2SC3052F	LHSFD	CX-NSZ510
0 S	P-SUPPLY/PWB/FAN	Q 0010	87-A30-076-080	0E	C-TR, 2SC3052F	USM	CX-SNAJ310

# PARTS LIST

! =  $\Delta$  SAFTY PARTS  
 C = Components marked

All components used on this model at the production line are shown in this service manual.

However, please note that not all components will be available as spare parts for after-sales service.

Components marked S and O are designated as spare parts for service and will be stocked at the spare parts centers.

Components marked X and R are not designated as spare parts for after sales service, and will not be stocked at the spare parts centers.

K NO. = Only use japanese.

! C	UNIT NAME	REF NO.	PARTS CODE	K NO.	DESCRIPTION	SUFFIX	MODEL NAME
0 S	P-SUPPLY/PWB/FAN	Q 0059	87-A30-107-070	0E	C-TR, CMBT5401	EZSFD	CX-NSZ315
0 S	P-SUPPLY/PWB/FAN	Q 0059	87-A30-107-070	0E	C-TR, CMBT5401	EZSFD	CX-NSZ310
0 S	P-SUPPLY/PWB/FAN	Q 0059	87-A30-107-070	0E	C-TR, CMBT5401	KSFD	CX-NSZ310
0 S	P-SUPPLY/PWB/FAN	Q 0059	87-A30-107-070	0E	C-TR, CMBT5401	LHSFD	CX-NSZ310
0 S	P-SUPPLY/PWB/FAN	Q 0059	87-A30-107-070	0E	C-TR, CMBT5401	LHSFD	CX-NSZ510
0 S	P-SUPPLY/PWB/FAN	Q 0059	87-A30-107-070	0E	C-TR, CMBT5401	USM	CX-SNAJ310
S	P-SUPPLY/PWB/FAN	Q 0060	87-A30-076-080	0E	C-TR, 2SC3052F	EZSFD	CX-NSZ315
0 S	P-SUPPLY/PWB/FAN	Q 0060	87-A30-076-080	0E	C-TR, 2SC3052F	EZSFD	CX-NSZ310
0 S	P-SUPPLY/PWB/FAN	Q 0060	87-A30-076-080	0E	C-TR, 2SC3052F	KSFD	CX-NSZ310
0 S	P-SUPPLY/PWB/FAN	Q 0060	87-A30-076-080	0E	C-TR, 2SC3052F	LHSFD	CX-NSZ310
0 S	P-SUPPLY/PWB/FAN	Q 0060	87-A30-076-080	0E	C-TR, 2SC3052F	LHSFD	CX-NSZ510
0 S	P-SUPPLY/PWB/FAN	Q 0060	87-A30-076-080	0E	C-TR, 2SC3052F	USM	CX-SNAJ310
S	P-SUPPLY/PWB/FAN	Q 0061	87-A30-075-080	0E	C-TR, 2SA1235F	EZSFD	CX-NSZ315
0 S	P-SUPPLY/PWB/FAN	Q 0061	87-A30-075-080	0E	C-TR, 2SA1235F	EZSFD	CX-NSZ310
0 S	P-SUPPLY/PWB/FAN	Q 0061	87-A30-075-080	0E	C-TR, 2SA1235F	KSFD	CX-NSZ310
0 S	P-SUPPLY/PWB/FAN	Q 0061	87-A30-075-080	0E	C-TR, 2SA1235F	LHSFD	CX-NSZ310
0 S	P-SUPPLY/PWB/FAN	Q 0061	87-A30-075-080	0E	C-TR, 2SA1235F	LHSFD	CX-NSZ510
0 S	P-SUPPLY/PWB/FAN	Q 0061	87-A30-075-080	0E	C-TR, 2SA1235F	USM	CX-SNAJ310
S	P-SUPPLY/PWB/FAN	Q 0062	87-A30-076-080	0E	C-TR, 2SC3052F	EZSFD	CX-NSZ315
0 S	P-SUPPLY/PWB/FAN	Q 0062	87-A30-076-080	0E	C-TR, 2SC3052F	EZSFD	CX-NSZ310
0 S	P-SUPPLY/PWB/FAN	Q 0062	87-A30-076-080	0E	C-TR, 2SC3052F	KSFD	CX-NSZ310
0 S	P-SUPPLY/PWB/FAN	Q 0062	87-A30-076-080	0E	C-TR, 2SC3052F	LHSFD	CX-NSZ310
0 S	P-SUPPLY/PWB/FAN	Q 0062	87-A30-076-080	0E	C-TR, 2SC3052F	LHSFD	CX-NSZ510
S	P-SUPPLY/PWB/FAN	Q 0063	87-A30-075-080	0E	C-TR, 2SA1235F	EZSFD	CX-NSZ315
0 S	P-SUPPLY/PWB/FAN	Q 0063	87-A30-075-080	0E	C-TR, 2SA1235F	EZSFD	CX-NSZ310
0 S	P-SUPPLY/PWB/FAN	Q 0063	87-A30-075-080	0E	C-TR, 2SA1235F	KSFD	CX-NSZ310
0 S	P-SUPPLY/PWB/FAN	Q 0063	87-A30-075-080	0E	C-TR, 2SA1235F	LHSFD	CX-NSZ310
0 S	P-SUPPLY/PWB/FAN	Q 0063	87-A30-075-080	0E	C-TR, 2SA1235F	LHSFD	CX-NSZ510
0 S	P-SUPPLY/PWB/FAN	Q 0063	87-A30-075-080	0E	C-TR, 2SA1235F	USM	CX-SNAJ310
S	P-SUPPLY/PWB/FAN	Q 0064	87-A30-076-080	0E	C-TR, 2SC3052F	EZSFD	CX-NSZ315
0 S	P-SUPPLY/PWB/FAN	Q 0064	87-A30-076-080	0E	C-TR, 2SC3052F	EZSFD	CX-NSZ310
0 S	P-SUPPLY/PWB/FAN	Q 0064	87-A30-076-080	0E	C-TR, 2SC3052F	KSFD	CX-NSZ310
0 S	P-SUPPLY/PWB/FAN	Q 0064	87-A30-076-080	0E	C-TR, 2SC3052F	LHSFD	CX-NSZ310
0 S	P-SUPPLY/PWB/FAN	Q 0064	87-A30-076-080	0E	C-TR, 2SC3052F	LHSFD	CX-NSZ510
0 S	P-SUPPLY/PWB/FAN	Q 0064	87-A30-076-080	0E	C-TR, 2SC3052F	USM	CX-SNAJ310
S	P-SUPPLY/PWB/FAN	Q 0065	87-A30-484-080	0E	C-TR, KRA102S	EZSFD	CX-NSZ315
0 S	P-SUPPLY/PWB/FAN	Q 0065	87-A30-484-080	0E	C-TR, KRA102S	EZSFD	CX-NSZ310
0 S	P-SUPPLY/PWB/FAN	Q 0065	87-A30-484-080	0E	C-TR, KRA102S	KSFD	CX-NSZ310
0 S	P-SUPPLY/PWB/FAN	Q 0065	87-A30-484-080	0E	C-TR, KRA102S	LHSFD	CX-NSZ310
0 S	P-SUPPLY/PWB/FAN	Q 0065	87-A30-484-080	0E	C-TR, KRA102S	LHSFD	CX-NSZ510
0 S	P-SUPPLY/PWB/FAN	Q 0065	87-A30-484-080	0E	C-TR, KRA102S	USM	CX-SNAJ310
0 X	P-SUPPLY/PWB/FAN	R 0001	88-100-000-010	0E	PLATING-JW, 0.58 SN95	EZSFD	CX-NSZ310
0 X	P-SUPPLY/PWB/FAN	R 0001	88-100-000-010	0E	PLATING-JW, 0.58 SN95	KSFD	CX-NSZ310
0 X	P-SUPPLY/PWB/FAN	R 0001	88-100-000-010	0E	PLATING-JW, 0.58 SN95	LHSFD	CX-NSZ310
0 X	P-SUPPLY/PWB/FAN	R 0001	88-100-000-010	0E	PLATING-JW, 0.58 SN95	LHSFD	CX-NSZ510
0 X	P-SUPPLY/PWB/FAN	R 0001	88-100-000-010	0E	PLATING-JW, 0.58 SN95	USM	CX-SNAJ310
X	P-SUPPLY/PWB/FAN	R 0002	88-121-109-080	0E	RES, 1-1/8W J	EZSFD	CX-NSZ315
0 X	P-SUPPLY/PWB/FAN	R 0005	88-100-000-010	0E	PLATING-JW, 0.58 SN95	EZSFD	CX-NSZ310
0 X	P-SUPPLY/PWB/FAN	R 0005	88-100-000-010	0E	PLATING-JW, 0.58 SN95	KSFD	CX-NSZ310
0 X	P-SUPPLY/PWB/FAN	R 0005	88-100-000-010	0E	PLATING-JW, 0.58 SN95	LHSFD	CX-NSZ510
X	P-SUPPLY/PWB/FAN	R 0005	88-121-109-080	0E	RES, 1-1/8W J	EZSFD	CX-NSZ315
X	P-SUPPLY/PWB/FAN	R 0009	88-108-223-080	0E	C-RES, U 22K-1/16W J	EZSFD	CX-NSZ315
0 X	P-SUPPLY/PWB/FAN	R 0009	88-108-223-080	0E	C-RES, U 22K-1/16W J	EZSFD	CX-NSZ310
0 X	P-SUPPLY/PWB/FAN	R 0009	88-108-223-080	0E	C-RES, U 22K-1/16W J	KSFD	CX-NSZ310
0 X	P-SUPPLY/PWB/FAN	R 0009	88-108-223-080	0E	C-RES, U 22K-1/16W J	LHSFD	CX-NSZ310
0 X	P-SUPPLY/PWB/FAN	R 0009	88-108-223-080	0E	C-RES, U 22K-1/16W J	USM	CX-SNAJ310
0 X	P-SUPPLY/PWB/FAN	R 0009	88-108-273-080	0E	C-RES, U 27K-1/16W J	LHSFD	CX-NSZ510
X	P-SUPPLY/PWB/FAN	R 0010	88-108-223-080	0E	C-RES, U 22K-1/16W J	EZSFD	CX-NSZ315
0 X	P-SUPPLY/PWB/FAN	R 0010	88-108-223-080	0E	C-RES, U 22K-1/16W J	EZSFD	CX-NSZ310
0 X	P-SUPPLY/PWB/FAN	R 0010	88-108-223-080	0E	C-RES, U 22K-1/16W J	KSFD	CX-NSZ310
0 X	P-SUPPLY/PWB/FAN	R 0010	88-108-223-080	0E	C-RES, U 22K-1/16W J	LHSFD	CX-NSZ310
0 X	P-SUPPLY/PWB/FAN	R 0010	88-108-223-080	0E	C-RES, U 22K-1/16W J	LHSFD	CX-NSZ510
X	P-SUPPLY/PWB/FAN	R 0011	88-108-472-080	0E	C-RES, U 4.7K-1/16W J	EZSFD	CX-NSZ315
0 X	P-SUPPLY/PWB/FAN	R 0011	88-108-472-080	0E	C-RES, U 4.7K-1/16W J	EZSFD	CX-NSZ310
0 X	P-SUPPLY/PWB/FAN	R 0011	88-108-472-080	0E	C-RES, U 4.7K-1/16W J	KSFD	CX-NSZ310
0 X	P-SUPPLY/PWB/FAN	R 0011	88-108-472-080	0E	C-RES, U 4.7K-1/16W J	LHSFD	CX-NSZ310



# PARTS LIST

! =  $\Delta$  SAFTY PARTS  
 C = Components marked

All components used on this model at the production line are shown in this service manual.

However, please note that not all components will be available as spare parts for after-sales service.

Components marked S and O are designated as spare parts for service and will be stocked at the spare parts centers.

Components marked X and R are not designated as spare parts for after sales service, and will not be stocked at the spare parts centers.

K NO. = Only use japanese.

! C	UNIT NAME	REF NO.	PARTS CODE	K NO.	DESCRIPTION	SUFFIX	MODEL NAME
0 X	P-SUPPLY/PWB/FAN	R 0023	88-108-103-080	0E	C-RES,U 10K-1/16W J	KSFD	CX-NSZ310
0 X	P-SUPPLY/PWB/FAN	R 0023	88-108-103-080	0E	C-RES,U 10K-1/16W J	LHSFD	CX-NSZ310
0 X	P-SUPPLY/PWB/FAN	R 0023	88-108-103-080	0E	C-RES,U 10K-1/16W J	LHSFD	CX-NSZ510
0 X	P-SUPPLY/PWB/FAN	R 0023	88-108-103-080	0E	C-RES,U 10K-1/16W J	USM	CX-SNAJ310
0 X	P-SUPPLY/PWB/FAN	R 0024	88-118-101-080	0E	C-RES,S 100-1/10W J	USM	CX-SNAJ310
0 X	P-SUPPLY/PWB/FAN	R 0026	88-108-103-080	0E	C-RES,U 10K-1/16W J	USM	CX-SNAJ310
X	P-SUPPLY/PWB/FAN	R 0027	88-118-471-080	0E	C-RES,S 470-1/10W J	EZSFD	CX-NSZ315
0 X	P-SUPPLY/PWB/FAN	R 0027	88-118-471-080	0E	C-RES,S 470-1/10W J	EZSFD	CX-NSZ310
0 X	P-SUPPLY/PWB/FAN	R 0027	88-118-471-080	0E	C-RES,S 470-1/10W J	KSFD	CX-NSZ310
0 X	P-SUPPLY/PWB/FAN	R 0027	88-118-471-080	0E	C-RES,S 470-1/10W J	LHSFD	CX-NSZ310
0 X	P-SUPPLY/PWB/FAN	R 0027	88-118-471-080	0E	C-RES,S 470-1/10W J	LHSFD	CX-NSZ510
0 X	P-SUPPLY/PWB/FAN	R 0027	88-118-471-080	0E	C-RES,S 470-1/10W J	USM	CX-SNAJ310
X	P-SUPPLY/PWB/FAN	R 0028	88-108-103-080	0E	C-RES,U 10K-1/16W J	EZSFD	CX-NSZ315
0 X	P-SUPPLY/PWB/FAN	R 0028	88-108-103-080	0E	C-RES,U 10K-1/16W J	EZSFD	CX-NSZ310
0 X	P-SUPPLY/PWB/FAN	R 0028	88-108-103-080	0E	C-RES,U 10K-1/16W J	KSFD	CX-NSZ310
0 X	P-SUPPLY/PWB/FAN	R 0028	88-108-103-080	0E	C-RES,U 10K-1/16W J	LHSFD	CX-NSZ310
0 X	P-SUPPLY/PWB/FAN	R 0028	88-108-103-080	0E	C-RES,U 10K-1/16W J	LHSFD	CX-NSZ510
0 X	P-SUPPLY/PWB/FAN	R 0028	88-108-103-080	0E	C-RES,U 10K-1/16W J	USM	CX-SNAJ310
X	P-SUPPLY/PWB/FAN	R 0029	88-108-222-080	0E	C-RES,U 2.2K-1/16W J	EZSFD	CX-NSZ315
0 X	P-SUPPLY/PWB/FAN	R 0029	88-108-222-080	0E	C-RES,U 2.2K-1/16W J	EZSFD	CX-NSZ310
0 X	P-SUPPLY/PWB/FAN	R 0029	88-108-222-080	0E	C-RES,U 2.2K-1/16W J	KSFD	CX-NSZ310
0 X	P-SUPPLY/PWB/FAN	R 0029	88-108-222-080	0E	C-RES,U 2.2K-1/16W J	LHSFD	CX-NSZ310
0 X	P-SUPPLY/PWB/FAN	R 0029	88-108-222-080	0E	C-RES,U 2.2K-1/16W J	LHSFD	CX-NSZ510
0 X	P-SUPPLY/PWB/FAN	R 0029	88-108-222-080	0E	C-RES,U 2.2K-1/16W J	USM	CX-SNAJ310
X	P-SUPPLY/PWB/FAN	R 0030	88-108-333-080	0E	C-RES,U 33K-1/16W J	EZSFD	CX-NSZ315
0 X	P-SUPPLY/PWB/FAN	R 0030	88-108-333-080	0E	C-RES,U 33K-1/16W J	EZSFD	CX-NSZ310
0 X	P-SUPPLY/PWB/FAN	R 0030	88-108-333-080	0E	C-RES,U 33K-1/16W J	KSFD	CX-NSZ310
0 X	P-SUPPLY/PWB/FAN	R 0030	88-108-333-080	0E	C-RES,U 33K-1/16W J	LHSFD	CX-NSZ310
0 X	P-SUPPLY/PWB/FAN	R 0030	88-108-333-080	0E	C-RES,U 33K-1/16W J	LHSFD	CX-NSZ510
0 X	P-SUPPLY/PWB/FAN	R 0030	88-108-333-080	0E	C-RES,U 33K-1/16W J	USM	CX-SNAJ310
X	P-SUPPLY/PWB/FAN	R 0031	88-108-473-080	0E	C-RES,U 47K-1/16W J	EZSFD	CX-NSZ315
0 X	P-SUPPLY/PWB/FAN	R 0031	88-108-473-080	0E	C-RES,U 47K-1/16W J	EZSFD	CX-NSZ310
0 X	P-SUPPLY/PWB/FAN	R 0031	88-108-473-080	0E	C-RES,U 47K-1/16W J	KSFD	CX-NSZ310
0 X	P-SUPPLY/PWB/FAN	R 0031	88-108-473-080	0E	C-RES,U 47K-1/16W J	LHSFD	CX-NSZ310
0 X	P-SUPPLY/PWB/FAN	R 0031	88-108-473-080	0E	C-RES,U 47K-1/16W J	LHSFD	CX-NSZ510
0 X	P-SUPPLY/PWB/FAN	R 0031	88-108-473-080	0E	C-RES,U 47K-1/16W J	USM	CX-SNAJ310
X	P-SUPPLY/PWB/FAN	R 0032	88-121-102-080	0E	RES,1K-1/8W J	EZSFD	CX-NSZ315
0 X	P-SUPPLY/PWB/FAN	R 0032	88-121-102-080	0E	RES,1K-1/8W J	EZSFD	CX-NSZ310
0 X	P-SUPPLY/PWB/FAN	R 0032	88-121-102-080	0E	RES,1K-1/8W J	KSFD	CX-NSZ310
0 X	P-SUPPLY/PWB/FAN	R 0032	88-121-102-080	0E	RES,1K-1/8W J	LHSFD	CX-NSZ310
0 X	P-SUPPLY/PWB/FAN	R 0032	88-121-102-080	0E	RES,1K-1/8W J	LHSFD	CX-NSZ510
0 X	P-SUPPLY/PWB/FAN	R 0032	88-121-102-080	0E	RES,1K-1/8W J	USM	CX-SNAJ310
X	P-SUPPLY/PWB/FAN	R 0033	88-108-101-080	0E	C-RES,U 100-1/16W J	EZSFD	CX-NSZ315
0 X	P-SUPPLY/PWB/FAN	R 0033	88-108-101-080	0E	C-RES,U 100-1/16W J	EZSFD	CX-NSZ310
0 X	P-SUPPLY/PWB/FAN	R 0033	88-108-101-080	0E	C-RES,U 100-1/16W J	KSFD	CX-NSZ310
0 X	P-SUPPLY/PWB/FAN	R 0033	88-108-101-080	0E	C-RES,U 100-1/16W J	LHSFD	CX-NSZ310
0 X	P-SUPPLY/PWB/FAN	R 0033	88-108-101-080	0E	C-RES,U 100-1/16W J	LHSFD	CX-NSZ510
0 X	P-SUPPLY/PWB/FAN	R 0033	88-108-101-080	0E	C-RES,U 100-1/16W J	USM	CX-SNAJ310
X	P-SUPPLY/PWB/FAN	R 0034	88-108-394-080	0E	C-RES,U 390K-1/16W J	EZSFD	CX-NSZ315
0 X	P-SUPPLY/PWB/FAN	R 0034	88-108-394-080	0E	C-RES,U 390K-1/16W J	EZSFD	CX-NSZ310
0 X	P-SUPPLY/PWB/FAN	R 0034	88-108-394-080	0E	C-RES,U 390K-1/16W J	KSFD	CX-NSZ310
0 X	P-SUPPLY/PWB/FAN	R 0034	88-108-394-080	0E	C-RES,U 390K-1/16W J	LHSFD	CX-NSZ310
0 X	P-SUPPLY/PWB/FAN	R 0034	88-108-394-080	0E	C-RES,U 390K-1/16W J	LHSFD	CX-NSZ510
0 X	P-SUPPLY/PWB/FAN	R 0034	88-108-394-080	0E	C-RES,U 390K-1/16W J	USM	CX-SNAJ310
X	P-SUPPLY/PWB/FAN	R 0037	88-128-680-080	0E	C-RES, 68-1/8W J	EZSFD	CX-NSZ315
0 X	P-SUPPLY/PWB/FAN	R 0037	88-128-680-080	0E	C-RES, 68-1/8W J	EZSFD	CX-NSZ310
0 X	P-SUPPLY/PWB/FAN	R 0037	88-128-680-080	0E	C-RES, 68-1/8W J	KSFD	CX-NSZ310
0 X	P-SUPPLY/PWB/FAN	R 0037	88-128-680-080	0E	C-RES, 68-1/8W J	LHSFD	CX-NSZ310
0 X	P-SUPPLY/PWB/FAN	R 0037	88-128-680-080	0E	C-RES, 68-1/8W J	USM	CX-SNAJ310
0 X	P-SUPPLY/PWB/FAN	R 0037	88-128-680-080	0E	C-RES, 68-1/8W J	LHSFD	CX-NSZ510
X	P-SUPPLY/PWB/FAN	R 0038	88-130-151-080	0E	RES,150-1/4W J	EZSFD	CX-NSZ315
0 X	P-SUPPLY/PWB/FAN	R 0038	88-130-151-080	0E	RES,150-1/4W J	EZSFD	CX-NSZ310
0 X	P-SUPPLY/PWB/FAN	R 0038	88-130-151-080	0E	RES,150-1/4W J	KSFD	CX-NSZ310
0 X	P-SUPPLY/PWB/FAN	R 0038	88-130-151-080	0E	RES,150-1/4W J	LHSFD	CX-NSZ310
0 X	P-SUPPLY/PWB/FAN	R 0038	88-130-151-080	0E	RES,150-1/4W J	LHSFD	CX-NSZ510
0 X	P-SUPPLY/PWB/FAN	R 0038	88-130-151-080	0E	RES,150-1/4W J	USM	CX-SNAJ310
X	P-SUPPLY/PWB/FAN	R 0039	88-128-680-080	0E	C-RES, 68-1/8W J	EZSFD	CX-NSZ315
0 X	P-SUPPLY/PWB/FAN	R 0039	88-128-680-080	0E	C-RES, 68-1/8W J	EZSFD	CX-NSZ310
0 X	P-SUPPLY/PWB/FAN	R 0039	88-128-680-080	0E	C-RES, 68-1/8W J	KSFD	CX-NSZ310
0 X	P-SUPPLY/PWB/FAN	R 0039	88-128-680-080	0E	C-RES, 68-1/8W J	LHSFD	CX-NSZ310

# PARTS LIST

! =  $\Delta$  SAFTY PARTS  
 C = Components marked

All components used on this model at the production line are shown in this service manual.

However, please note that not all components will be available as spare parts for after-sales service.

Components marked S and O are designated as spare parts for service and will be stocked at the spare parts centers.

Components marked X and R are not designated as spare parts for after sales service, and will not be stocked at the spare parts centers.

K NO. = Only use japanese.

! C	UNIT NAME	REF NO.	PARTS CODE	K NO.	DESCRIPTION	SUFFIX	MODEL NAME
0 X	P-SUPPLY/PWB/FAN	R 0039	88-128-680-080	0E	C-RES, 68-1/8W J	USM	CX-SNAJ310
0 X	P-SUPPLY/PWB/FAN	R 0039	88-128-680-080	0E	C-RES, 68-1/8W J	LHSFD	CX-NSZ510
X	P-SUPPLY/PWB/FAN	R 0042	88-130-151-080	0E	RES,150-1/4W J	EZSFD	CX-NSZ315
0 X	P-SUPPLY/PWB/FAN	R 0042	88-130-151-080	0E	RES,150-1/4W J	EZSFD	CX-NSZ310
0 X	P-SUPPLY/PWB/FAN	R 0042	88-130-151-080	0E	RES,150-1/4W J	KSFD	CX-NSZ310
0 X	P-SUPPLY/PWB/FAN	R 0042	88-130-151-080	0E	RES,150-1/4W J	LHSFD	CX-NSZ310
0 X	P-SUPPLY/PWB/FAN	R 0042	88-130-151-080	0E	RES,150-1/4W J	LHSFD	CX-NSZ510
0 X	P-SUPPLY/PWB/FAN	R 0042	88-130-151-080	0E	RES,150-1/4W J	USM	CX-SNAJ310
X	P-SUPPLY/PWB/FAN	R 0043	88-130-151-080	0E	RES,150-1/4W J	EZSFD	CX-NSZ315
0 X	P-SUPPLY/PWB/FAN	R 0043	88-130-151-080	0E	RES,150-1/4W J	EZSFD	CX-NSZ310
0 X	P-SUPPLY/PWB/FAN	R 0043	88-130-151-080	0E	RES,150-1/4W J	KSFD	CX-NSZ310
0 X	P-SUPPLY/PWB/FAN	R 0043	88-130-151-080	0E	RES,150-1/4W J	LHSFD	CX-NSZ310
0 X	P-SUPPLY/PWB/FAN	R 0043	88-130-151-080	0E	RES,150-1/4W J	LHSFD	CX-NSZ510
X	P-SUPPLY/PWB/FAN	R 0044	88-128-680-080	0E	C-RES, 68-1/8W J	EZSFD	CX-NSZ315
0 X	P-SUPPLY/PWB/FAN	R 0044	88-128-680-080	0E	C-RES, 68-1/8W J	EZSFD	CX-NSZ310
0 X	P-SUPPLY/PWB/FAN	R 0044	88-128-680-080	0E	C-RES, 68-1/8W J	KSFD	CX-NSZ310
0 X	P-SUPPLY/PWB/FAN	R 0044	88-128-680-080	0E	C-RES, 68-1/8W J	USM	CX-SNAJ310
0 X	P-SUPPLY/PWB/FAN	R 0044	88-128-820-080	0E	C-RES, 82-1/8W J	LHSFD	CX-NSZ310
0 X	P-SUPPLY/PWB/FAN	R 0044	88-128-820-080	0E	C-RES, 82-1/8W J	LHSFD	CX-NSZ510
X	P-SUPPLY/PWB/FAN	R 0045	88-128-680-080	0E	C-RES, 68-1/8W J	EZSFD	CX-NSZ315
0 X	P-SUPPLY/PWB/FAN	R 0045	88-128-680-080	0E	C-RES, 68-1/8W J	EZSFD	CX-NSZ310
0 X	P-SUPPLY/PWB/FAN	R 0045	88-128-680-080	0E	C-RES, 68-1/8W J	KSFD	CX-NSZ310
0 X	P-SUPPLY/PWB/FAN	R 0045	88-128-680-080	0E	C-RES, 68-1/8W J	LHSFD	CX-NSZ310
0 X	P-SUPPLY/PWB/FAN	R 0045	88-128-680-080	0E	C-RES, 68-1/8W J	USM	CX-SNAJ310
0 X	P-SUPPLY/PWB/FAN	R 0045	88-128-680-080	0E	C-RES, 68-1/8W J	LHSFD	CX-NSZ510
X	P-SUPPLY/PWB/FAN	R 0046	88-130-151-080	0E	RES,150-1/4W J	EZSFD	CX-NSZ315
0 X	P-SUPPLY/PWB/FAN	R 0046	88-130-151-080	0E	RES,150-1/4W J	EZSFD	CX-NSZ310
0 X	P-SUPPLY/PWB/FAN	R 0046	88-130-151-080	0E	RES,150-1/4W J	KSFD	CX-NSZ310
0 X	P-SUPPLY/PWB/FAN	R 0046	88-130-151-080	0E	RES,150-1/4W J	LHSFD	CX-NSZ310
0 X	P-SUPPLY/PWB/FAN	R 0046	88-130-151-080	0E	RES,150-1/4W J	LHSFD	CX-NSZ510
X	P-SUPPLY/PWB/FAN	R 0047	88-100-000-010	0E	PLATING-JW, 0.58 SN95	EZSFD	CX-NSZ315
0 X	P-SUPPLY/PWB/FAN	R 0047	88-100-000-010	0E	PLATING-JW, 0.58 SN95	EZSFD	CX-NSZ310
0 X	P-SUPPLY/PWB/FAN	R 0047	88-100-000-010	0E	PLATING-JW, 0.58 SN95	KSFD	CX-NSZ310
0 X	P-SUPPLY/PWB/FAN	R 0047	88-100-000-010	0E	PLATING-JW, 0.58 SN95	LHSFD	CX-NSZ310
0 X	P-SUPPLY/PWB/FAN	R 0047	88-100-000-010	0E	PLATING-JW, 0.58 SN95	LHSFD	CX-NSZ510
0 X	P-SUPPLY/PWB/FAN	R 0047	88-100-000-010	0E	PLATING-JW, 0.58 SN95	USM	CX-SNAJ310
X	P-SUPPLY/PWB/FAN	R 0050	88-128-680-080	0E	C-RES, 68-1/8W J	EZSFD	CX-NSZ315
0 X	P-SUPPLY/PWB/FAN	R 0050	88-128-680-080	0E	C-RES, 68-1/8W J	EZSFD	CX-NSZ310
0 X	P-SUPPLY/PWB/FAN	R 0050	88-128-680-080	0E	C-RES, 68-1/8W J	KSFD	CX-NSZ310
0 X	P-SUPPLY/PWB/FAN	R 0050	88-128-680-080	0E	C-RES, 68-1/8W J	USM	CX-SNAJ310
0 X	P-SUPPLY/PWB/FAN	R 0050	88-128-820-080	0E	C-RES, 82-1/8W J	LHSFD	CX-NSZ310
0 X	P-SUPPLY/PWB/FAN	R 0050	88-128-820-080	0E	C-RES, 82-1/8W J	LHSFD	CX-NSZ510
X	P-SUPPLY/PWB/FAN	R 0051	88-128-680-080	0E	C-RES, 68-1/8W J	EZSFD	CX-NSZ315
0 X	P-SUPPLY/PWB/FAN	R 0051	88-128-680-080	0E	C-RES, 68-1/8W J	EZSFD	CX-NSZ310
0 X	P-SUPPLY/PWB/FAN	R 0051	88-128-680-080	0E	C-RES, 68-1/8W J	KSFD	CX-NSZ310
0 X	P-SUPPLY/PWB/FAN	R 0051	88-128-680-080	0E	C-RES, 68-1/8W J	LHSFD	CX-NSZ310
0 X	P-SUPPLY/PWB/FAN	R 0051	88-128-680-080	0E	C-RES, 68-1/8W J	USM	CX-SNAJ310
0 X	P-SUPPLY/PWB/FAN	R 0051	88-128-680-080	0E	C-RES, 68-1/8W J	LHSFD	CX-NSZ510
X	P-SUPPLY/PWB/FAN	R 0052	88-108-333-080	0E	C-RES,U 33K-1/16W J	EZSFD	CX-NSZ315
0 X	P-SUPPLY/PWB/FAN	R 0052	88-108-333-080	0E	C-RES,U 33K-1/16W J	EZSFD	CX-NSZ310
0 X	P-SUPPLY/PWB/FAN	R 0052	88-108-333-080	0E	C-RES,U 33K-1/16W J	KSFD	CX-NSZ310
0 X	P-SUPPLY/PWB/FAN	R 0052	88-108-333-080	0E	C-RES,U 33K-1/16W J	LHSFD	CX-NSZ310
0 X	P-SUPPLY/PWB/FAN	R 0052	88-108-333-080	0E	C-RES,U 33K-1/16W J	LHSFD	CX-NSZ510
X	P-SUPPLY/PWB/FAN	R 0054	88-118-473-080	0E	C-RES,S 47K-1/10W J	USM	CX-SNAJ310
0 X	P-SUPPLY/PWB/FAN	R 0054	88-118-473-080	0E	C-RES,S 47K-1/10W J	EZSFD	CX-NSZ315
0 X	P-SUPPLY/PWB/FAN	R 0054	88-118-473-080	0E	C-RES,S 47K-1/10W J	EZSFD	CX-NSZ310
0 X	P-SUPPLY/PWB/FAN	R 0054	88-118-473-080	0E	C-RES,S 47K-1/10W J	KSFD	CX-NSZ310
0 X	P-SUPPLY/PWB/FAN	R 0054	88-118-473-080	0E	C-RES,S 47K-1/10W J	LHSFD	CX-NSZ310
0 X	P-SUPPLY/PWB/FAN	R 0054	88-118-473-080	0E	C-RES,S 47K-1/10W J	LHSFD	CX-NSZ510
0 X	P-SUPPLY/PWB/FAN	R 0054	88-118-473-080	0E	C-RES,S 47K-1/10W J	USM	CX-SNAJ310
X	P-SUPPLY/PWB/FAN	R 0055	88-118-473-080	0E	C-RES,S 47K-1/10W J	EZSFD	CX-NSZ315
0 X	P-SUPPLY/PWB/FAN	R 0055	88-118-473-080	0E	C-RES,S 47K-1/10W J	EZSFD	CX-NSZ310
0 X	P-SUPPLY/PWB/FAN	R 0055	88-118-473-080	0E	C-RES,S 47K-1/10W J	KSFD	CX-NSZ310
0 X	P-SUPPLY/PWB/FAN	R 0055	88-118-473-080	0E	C-RES,S 47K-1/10W J	LHSFD	CX-NSZ310
0 X	P-SUPPLY/PWB/FAN	R 0055	88-118-473-080	0E	C-RES,S 47K-1/10W J	LHSFD	CX-NSZ510
0 X	P-SUPPLY/PWB/FAN	R 0055	88-118-473-080	0E	C-RES,S 47K-1/10W J	USM	CX-SNAJ310
0 X	P-SUPPLY/PWB/FAN	R 0056	88-108-472-080	0E	C-RES,U 4.7K-1/16W J	LHSFD	CX-NSZ510
0 X	P-SUPPLY/PWB/FAN	R 0056	88-108-682-080	0E	C-RES,U 6.8K-1/16W J	LHSFD	CX-NSZ310

# PARTS LIST

! =  $\Delta$  SAFTY PARTS  
 C = Components marked

All components used on this model at the production line are shown in this service manual.

However, please note that not all components will be available as spare parts for after-sales service.

Components marked S and O are designated as spare parts for service and will be stocked at the spare parts centers.

Components marked X and R are not designated as spare parts for after sales service, and will not be stocked at the spare parts centers.

K NO. = Only use japanese.

! C	UNIT NAME	REF NO.	PARTS CODE	K NO.	DESCRIPTION	SUFFIX	MODEL NAME
0 X	P-SUPPLY/PWB/FAN	R 0056	88-108-822-080	0E	C-RES,U 8.2K-1/16W J	EZSFD	CX-NSZ315
0 X	P-SUPPLY/PWB/FAN	R 0056	88-108-822-080	0E	C-RES,U 8.2K-1/16W J	EZSFD	CX-NSZ310
0 X	P-SUPPLY/PWB/FAN	R 0056	88-108-822-080	0E	C-RES,U 8.2K-1/16W J	KSFD	CX-NSZ310
0 X	P-SUPPLY/PWB/FAN	R 0056	88-108-822-080	0E	C-RES,U 8.2K-1/16W J	USM	CX-SNAJ310
0 X	P-SUPPLY/PWB/FAN	R 0057	88-108-182-080	0E	C-RES,U 1.8K-1/16W J	USM	CX-SNAJ310
0 X	P-SUPPLY/PWB/FAN	R 0057	88-108-222-080	0E	C-RES,U 2.2K-1/16W J	EZSFD	CX-NSZ315
0 X	P-SUPPLY/PWB/FAN	R 0057	88-108-222-080	0E	C-RES,U 2.2K-1/16W J	EZSFD	CX-NSZ310
0 X	P-SUPPLY/PWB/FAN	R 0057	88-108-222-080	0E	C-RES,U 2.2K-1/16W J	KSFD	CX-NSZ310
0 X	P-SUPPLY/PWB/FAN	R 0057	88-108-222-080	0E	C-RES,U 2.2K-1/16W J	LHSFD	CX-NSZ310
0 X	P-SUPPLY/PWB/FAN	R 0057	88-108-222-080	0E	C-RES,U 2.2K-1/16W J	LHSFD	CX-NSZ510
0 X	P-SUPPLY/PWB/FAN	R 0058	88-108-392-080	0E	C-RES,U 3.9K-1/16W J	LHSFD	CX-NSZ310
0 X	P-SUPPLY/PWB/FAN	R 0058	88-108-392-080	0E	C-RES,U 3.9K-1/16W J	LHSFD	CX-NSZ510
0 X	P-SUPPLY/PWB/FAN	R 0058	88-108-472-080	0E	C-RES,U 4.7K-1/16W J	USM	CX-SNAJ310
0 X	P-SUPPLY/PWB/FAN	R 0058	88-108-562-080	0E	C-RES,U 5.6K-1/16W J	EZSFD	CX-NSZ315
0 X	P-SUPPLY/PWB/FAN	R 0058	88-108-562-080	0E	C-RES,U 5.6K-1/16W J	EZSFD	CX-NSZ310
0 X	P-SUPPLY/PWB/FAN	R 0058	88-108-562-080	0E	C-RES,U 5.6K-1/16W J	KSFD	CX-NSZ310
0 X	P-SUPPLY/PWB/FAN	R 0059	88-118-103-080	0E	C-RES,S 10K-1/10W J	EZSFD	CX-NSZ315
0 X	P-SUPPLY/PWB/FAN	R 0059	88-118-103-080	0E	C-RES,S 10K-1/10W J	EZSFD	CX-NSZ310
0 X	P-SUPPLY/PWB/FAN	R 0059	88-118-103-080	0E	C-RES,S 10K-1/10W J	KSFD	CX-NSZ310
0 X	P-SUPPLY/PWB/FAN	R 0059	88-118-103-080	0E	C-RES,S 10K-1/10W J	LHSFD	CX-NSZ310
0 X	P-SUPPLY/PWB/FAN	R 0059	88-118-103-080	0E	C-RES,S 10K-1/10W J	LHSFD	CX-NSZ510
0 X	P-SUPPLY/PWB/FAN	R 0059	88-118-103-080	0E	C-RES,S 10K-1/10W J	USM	CX-SNAJ310
0 X	P-SUPPLY/PWB/FAN	R 0060	88-118-473-080	0E	C-RES,S 47K-1/10W J	EZSFD	CX-NSZ315
0 X	P-SUPPLY/PWB/FAN	R 0060	88-118-473-080	0E	C-RES,S 47K-1/10W J	EZSFD	CX-NSZ310
0 X	P-SUPPLY/PWB/FAN	R 0060	88-118-473-080	0E	C-RES,S 47K-1/10W J	KSFD	CX-NSZ310
0 X	P-SUPPLY/PWB/FAN	R 0060	88-118-473-080	0E	C-RES,S 47K-1/10W J	LHSFD	CX-NSZ310
0 X	P-SUPPLY/PWB/FAN	R 0060	88-118-473-080	0E	C-RES,S 47K-1/10W J	LHSFD	CX-NSZ510
0 X	P-SUPPLY/PWB/FAN	R 0060	88-118-473-080	0E	C-RES,S 47K-1/10W J	USM	CX-SNAJ310
0 X	P-SUPPLY/PWB/FAN	R 0061	88-108-333-080	0E	C-RES,U 33K-1/16W J	EZSFD	CX-NSZ315
0 X	P-SUPPLY/PWB/FAN	R 0061	88-108-333-080	0E	C-RES,U 33K-1/16W J	EZSFD	CX-NSZ310
0 X	P-SUPPLY/PWB/FAN	R 0061	88-108-333-080	0E	C-RES,U 33K-1/16W J	KSFD	CX-NSZ310
0 X	P-SUPPLY/PWB/FAN	R 0061	88-108-333-080	0E	C-RES,U 33K-1/16W J	LHSFD	CX-NSZ310
0 X	P-SUPPLY/PWB/FAN	R 0061	88-108-333-080	0E	C-RES,U 33K-1/16W J	LHSFD	CX-NSZ510
0 X	P-SUPPLY/PWB/FAN	R 0061	88-108-333-080	0E	C-RES,U 33K-1/16W J	USM	CX-SNAJ310
0 X	P-SUPPLY/PWB/FAN	R 0062	88-108-273-080	0E	C-RES,U 27K-1/16W J	EZSFD	CX-NSZ315
0 X	P-SUPPLY/PWB/FAN	R 0062	88-108-273-080	0E	C-RES,U 27K-1/16W J	EZSFD	CX-NSZ310
0 X	P-SUPPLY/PWB/FAN	R 0062	88-108-273-080	0E	C-RES,U 27K-1/16W J	KSFD	CX-NSZ310
0 X	P-SUPPLY/PWB/FAN	R 0062	88-108-273-080	0E	C-RES,U 27K-1/16W J	LHSFD	CX-NSZ310
0 X	P-SUPPLY/PWB/FAN	R 0062	88-108-273-080	0E	C-RES,U 27K-1/16W J	LHSFD	CX-NSZ510
0 X	P-SUPPLY/PWB/FAN	R 0062	88-108-273-080	0E	C-RES,U 27K-1/16W J	USM	CX-SNAJ310
0 X	P-SUPPLY/PWB/FAN	R 0063	88-108-273-080	0E	C-RES,U 27K-1/16W J	EZSFD	CX-NSZ315
0 X	P-SUPPLY/PWB/FAN	R 0063	88-108-273-080	0E	C-RES,U 27K-1/16W J	EZSFD	CX-NSZ310
0 X	P-SUPPLY/PWB/FAN	R 0063	88-108-273-080	0E	C-RES,U 27K-1/16W J	KSFD	CX-NSZ310
0 X	P-SUPPLY/PWB/FAN	R 0063	88-108-273-080	0E	C-RES,U 27K-1/16W J	LHSFD	CX-NSZ510
0 X	P-SUPPLY/PWB/FAN	R 0063	88-108-273-080	0E	C-RES,U 27K-1/16W J	USM	CX-SNAJ310
0 X	P-SUPPLY/PWB/FAN	R 0064	88-108-102-080	0E	C-RES,U 1K-1/16W J	EZSFD	CX-NSZ315
0 X	P-SUPPLY/PWB/FAN	R 0064	88-108-102-080	0E	C-RES,U 1K-1/16W J	EZSFD	CX-NSZ310
0 X	P-SUPPLY/PWB/FAN	R 0064	88-108-102-080	0E	C-RES,U 1K-1/16W J	KSFD	CX-NSZ310
0 X	P-SUPPLY/PWB/FAN	R 0064	88-108-102-080	0E	C-RES,U 1K-1/16W J	LHSFD	CX-NSZ310
0 X	P-SUPPLY/PWB/FAN	R 0064	88-108-102-080	0E	C-RES,U 1K-1/16W J	LHSFD	CX-NSZ510
0 X	P-SUPPLY/PWB/FAN	R 0064	88-108-102-080	0E	C-RES,U 1K-1/16W J	USM	CX-SNAJ310
0 X	P-SUPPLY/PWB/FAN	R 0065	88-108-123-080	0E	C-RES,U 12K-1/16W J	EZSFD	CX-NSZ315
0 X	P-SUPPLY/PWB/FAN	R 0065	88-108-123-080	0E	C-RES,U 12K-1/16W J	EZSFD	CX-NSZ310
0 X	P-SUPPLY/PWB/FAN	R 0065	88-108-123-080	0E	C-RES,U 12K-1/16W J	KSFD	CX-NSZ310
0 X	P-SUPPLY/PWB/FAN	R 0065	88-108-123-080	0E	C-RES,U 12K-1/16W J	LHSFD	CX-NSZ310
0 X	P-SUPPLY/PWB/FAN	R 0065	88-108-123-080	0E	C-RES,U 12K-1/16W J	LHSFD	CX-NSZ510
0 X	P-SUPPLY/PWB/FAN	R 0065	88-108-123-080	0E	C-RES,U 12K-1/16W J	USM	CX-SNAJ310
0 X	P-SUPPLY/PWB/FAN	R 0066	88-108-104-080	0E	C-RES,U 100K-1/16W J	EZSFD	CX-NSZ315
0 X	P-SUPPLY/PWB/FAN	R 0066	88-108-104-080	0E	C-RES,U 100K-1/16W J	EZSFD	CX-NSZ310
0 X	P-SUPPLY/PWB/FAN	R 0066	88-108-104-080	0E	C-RES,U 100K-1/16W J	KSFD	CX-NSZ310
0 X	P-SUPPLY/PWB/FAN	R 0066	88-108-104-080	0E	C-RES,U 100K-1/16W J	LHSFD	CX-NSZ310
0 X	P-SUPPLY/PWB/FAN	R 0066	88-108-104-080	0E	C-RES,U 100K-1/16W J	LHSFD	CX-NSZ510
0 X	P-SUPPLY/PWB/FAN	R 0066	88-108-104-080	0E	C-RES,U 100K-1/16W J	USM	CX-SNAJ310
0 X	P-SUPPLY/PWB/FAN	R 0067	88-108-103-080	0E	C-RES,U 10K-1/16W J	EZSFD	CX-NSZ315
0 X	P-SUPPLY/PWB/FAN	R 0067	88-108-103-080	0E	C-RES,U 10K-1/16W J	EZSFD	CX-NSZ310
0 X	P-SUPPLY/PWB/FAN	R 0067	88-108-103-080	0E	C-RES,U 10K-1/16W J	KSFD	CX-NSZ310
0 X	P-SUPPLY/PWB/FAN	R 0067	88-108-103-080	0E	C-RES,U 10K-1/16W J	LHSFD	CX-NSZ310
0 X	P-SUPPLY/PWB/FAN	R 0067	88-108-103-080	0E	C-RES,U 10K-1/16W J	LHSFD	CX-NSZ510
0 X	P-SUPPLY/PWB/FAN	R 0067	88-108-103-080	0E	C-RES,U 10K-1/16W J	USM	CX-SNAJ310
0 X	P-SUPPLY/PWB/FAN	R 0068	88-108-224-080	0E	C-RES,U 220K-1/16W J	EZSFD	CX-NSZ315
0 X	P-SUPPLY/PWB/FAN	R 0068	88-108-224-080	0E	C-RES,U 220K-1/16W J	EZSFD	CX-NSZ310

# PARTS LIST

! =  $\Delta$  SAFTY PARTS  
 C = Components marked

All components used on this model at the production line are shown in this service manual.

However, please note that not all components will be available as spare parts for after-sales service.

Components marked S and O are designated as spare parts for service and will be stocked at the spare parts centers.

Components marked X and R are not designated as spare parts for after sales service, and will not be stocked at the spare parts centers.

K NO. = Only use japanese.

! C	UNIT NAME	REF NO.	PARTS CODE	K NO.	DESCRIPTION	SUFFIX	MODEL NAME
0 X	P-SUPPLY/PWB/FAN	R 0068	88-108-224-080	0E	C-RES,U 220K-1/16W J	KSFD	CX-NSZ310
0 X	P-SUPPLY/PWB/FAN	R 0068	88-108-224-080	0E	C-RES,U 220K-1/16W J	LHSFD	CX-NSZ310
0 X	P-SUPPLY/PWB/FAN	R 0068	88-108-224-080	0E	C-RES,U 220K-1/16W J	LHSFD	CX-NSZ510
0 X	P-SUPPLY/PWB/FAN	R 0068	88-108-224-080	0E	C-RES,U 220K-1/16W J	USM	CX-SNAJ310
X	P-SUPPLY/PWB/FAN	R 0069	88-108-224-080	0E	C-RES,U 220K-1/16W J	EZSFD	CX-NSZ315
0 X	P-SUPPLY/PWB/FAN	R 0069	88-108-224-080	0E	C-RES,U 220K-1/16W J	EZSFD	CX-NSZ310
0 X	P-SUPPLY/PWB/FAN	R 0069	88-108-224-080	0E	C-RES,U 220K-1/16W J	KSFD	CX-NSZ310
0 X	P-SUPPLY/PWB/FAN	R 0069	88-108-224-080	0E	C-RES,U 220K-1/16W J	LHSFD	CX-NSZ310
0 X	P-SUPPLY/PWB/FAN	R 0069	88-108-224-080	0E	C-RES,U 220K-1/16W J	LHSFD	CX-NSZ510
0 X	P-SUPPLY/PWB/FAN	R 0069	88-108-224-080	0E	C-RES,U 220K-1/16W J	USM	CX-SNAJ310
X	P-SUPPLY/PWB/FAN	R 0070	88-108-102-080	0E	C-RES,U 1K-1/16W J	EZSFD	CX-NSZ315
0 X	P-SUPPLY/PWB/FAN	R 0070	88-108-102-080	0E	C-RES,U 1K-1/16W J	EZSFD	CX-NSZ310
0 X	P-SUPPLY/PWB/FAN	R 0070	88-108-102-080	0E	C-RES,U 1K-1/16W J	KSFD	CX-NSZ310
0 X	P-SUPPLY/PWB/FAN	R 0070	88-108-102-080	0E	C-RES,U 1K-1/16W J	LHSFD	CX-NSZ310
0 X	P-SUPPLY/PWB/FAN	R 0070	88-108-102-080	0E	C-RES,U 1K-1/16W J	LHSFD	CX-NSZ510
0 X	P-SUPPLY/PWB/FAN	R 0070	88-108-102-080	0E	C-RES,U 1K-1/16W J	USM	CX-SNAJ310
X	P-SUPPLY/PWB/FAN	R 0071	88-108-473-080	0E	C-RES,U 47K-1/16W J	EZSFD	CX-NSZ315
0 X	P-SUPPLY/PWB/FAN	R 0071	88-108-473-080	0E	C-RES,U 47K-1/16W J	EZSFD	CX-NSZ310
0 X	P-SUPPLY/PWB/FAN	R 0071	88-108-473-080	0E	C-RES,U 47K-1/16W J	KSFD	CX-NSZ310
0 X	P-SUPPLY/PWB/FAN	R 0071	88-108-473-080	0E	C-RES,U 47K-1/16W J	LHSFD	CX-NSZ310
0 X	P-SUPPLY/PWB/FAN	R 0071	88-108-473-080	0E	C-RES,U 47K-1/16W J	LHSFD	CX-NSZ510
0 X	P-SUPPLY/PWB/FAN	R 0071	88-108-473-080	0E	C-RES,U 47K-1/16W J	USM	CX-SNAJ310
X	P-SUPPLY/PWB/FAN	R 0072	88-108-473-080	0E	C-RES,U 47K-1/16W J	EZSFD	CX-NSZ315
0 X	P-SUPPLY/PWB/FAN	R 0072	88-108-473-080	0E	C-RES,U 47K-1/16W J	EZSFD	CX-NSZ310
0 X	P-SUPPLY/PWB/FAN	R 0072	88-108-473-080	0E	C-RES,U 47K-1/16W J	KSFD	CX-NSZ310
0 X	P-SUPPLY/PWB/FAN	R 0072	88-108-473-080	0E	C-RES,U 47K-1/16W J	LHSFD	CX-NSZ310
0 X	P-SUPPLY/PWB/FAN	R 0072	88-108-473-080	0E	C-RES,U 47K-1/16W J	LHSFD	CX-NSZ510
0 X	P-SUPPLY/PWB/FAN	R 0072	88-108-473-080	0E	C-RES,U 47K-1/16W J	USM	CX-SNAJ310
X	P-SUPPLY/PWB/FAN	R 0073	88-128-470-080	0E	C-RES, 47-1/8W J	EZSFD	CX-NSZ315
0 X	P-SUPPLY/PWB/FAN	R 0073	88-128-470-080	0E	C-RES, 47-1/8W J	EZSFD	CX-NSZ310
0 X	P-SUPPLY/PWB/FAN	R 0073	88-128-470-080	0E	C-RES, 47-1/8W J	KSFD	CX-NSZ310
0 X	P-SUPPLY/PWB/FAN	R 0073	88-128-470-080	0E	C-RES, 47-1/8W J	USM	CX-SNAJ310
0 X	P-SUPPLY/PWB/FAN	R 0073	88-128-560-080	0E	C-RES, 56-1/8W J	LHSFD	CX-NSZ310
0 X	P-SUPPLY/PWB/FAN	R 0073	88-128-560-080	0E	C-RES, 56-1/8W J	LHSFD	CX-NSZ510
X	P-SUPPLY/PWB/FAN	R 0074	88-128-470-080	0E	C-RES, 47-1/8W J	EZSFD	CX-NSZ315
0 X	P-SUPPLY/PWB/FAN	R 0074	88-128-470-080	0E	C-RES, 47-1/8W J	EZSFD	CX-NSZ310
0 X	P-SUPPLY/PWB/FAN	R 0074	88-128-470-080	0E	C-RES, 47-1/8W J	KSFD	CX-NSZ310
0 X	P-SUPPLY/PWB/FAN	R 0074	88-128-470-080	0E	C-RES, 47-1/8W J	USM	CX-SNAJ310
0 X	P-SUPPLY/PWB/FAN	R 0074	88-128-560-080	0E	C-RES, 56-1/8W J	LHSFD	CX-NSZ310
0 X	P-SUPPLY/PWB/FAN	R 0074	88-128-560-080	0E	C-RES, 56-1/8W J	LHSFD	CX-NSZ510
X	P-SUPPLY/PWB/FAN	R 0076	88-108-562-080	0E	C-RES,U 5.6K-1/16W J	EZSFD	CX-NSZ315
0 X	P-SUPPLY/PWB/FAN	R 0076	88-108-562-080	0E	C-RES,U 5.6K-1/16W J	EZSFD	CX-NSZ310
0 X	P-SUPPLY/PWB/FAN	R 0076	88-108-562-080	0E	C-RES,U 5.6K-1/16W J	KSFD	CX-NSZ310
0 X	P-SUPPLY/PWB/FAN	R 0076	88-108-562-080	0E	C-RES,U 5.6K-1/16W J	LHSFD	CX-NSZ310
0 X	P-SUPPLY/PWB/FAN	R 0076	88-108-562-080	0E	C-RES,U 5.6K-1/16W J	LHSFD	CX-NSZ510
0 X	P-SUPPLY/PWB/FAN	R 0076	88-108-562-080	0E	C-RES,U 5.6K-1/16W J	USM	CX-SNAJ310
X	P-SUPPLY/PWB/FAN	R 0078	88-108-393-080	0E	C-RES,U 39K-1/16W J	EZSFD	CX-NSZ315
0 X	P-SUPPLY/PWB/FAN	R 0078	88-108-393-080	0E	C-RES,U 39K-1/16W J	EZSFD	CX-NSZ310
0 X	P-SUPPLY/PWB/FAN	R 0078	88-108-393-080	0E	C-RES,U 39K-1/16W J	KSFD	CX-NSZ310
0 X	P-SUPPLY/PWB/FAN	R 0078	88-108-393-080	0E	C-RES,U 39K-1/16W J	LHSFD	CX-NSZ310
0 X	P-SUPPLY/PWB/FAN	R 0078	88-108-393-080	0E	C-RES,U 39K-1/16W J	LHSFD	CX-NSZ510
0 X	P-SUPPLY/PWB/FAN	R 0078	88-108-393-080	0E	C-RES,U 39K-1/16W J	USM	CX-SNAJ310
X	P-SUPPLY/PWB/FAN	R 0079	88-108-223-080	0E	C-RES,U 22K-1/16W J	EZSFD	CX-NSZ315
0 X	P-SUPPLY/PWB/FAN	R 0079	88-108-223-080	0E	C-RES,U 22K-1/16W J	EZSFD	CX-NSZ310
0 X	P-SUPPLY/PWB/FAN	R 0079	88-108-223-080	0E	C-RES,U 22K-1/16W J	KSFD	CX-NSZ310
0 X	P-SUPPLY/PWB/FAN	R 0079	88-108-223-080	0E	C-RES,U 22K-1/16W J	LHSFD	CX-NSZ310
0 X	P-SUPPLY/PWB/FAN	R 0079	88-108-223-080	0E	C-RES,U 22K-1/16W J	LHSFD	CX-NSZ510
0 X	P-SUPPLY/PWB/FAN	R 0079	88-108-273-080	0E	C-RES,U 27K-1/16W J	USM	CX-SNAJ310
X	P-SUPPLY/PWB/FAN	R 0081	88-108-101-080	0E	C-RES,U 100-1/16W J	EZSFD	CX-NSZ315
0 X	P-SUPPLY/PWB/FAN	R 0081	88-108-101-080	0E	C-RES,U 100-1/16W J	EZSFD	CX-NSZ310
0 X	P-SUPPLY/PWB/FAN	R 0081	88-108-101-080	0E	C-RES,U 100-1/16W J	KSFD	CX-NSZ310
0 X	P-SUPPLY/PWB/FAN	R 0081	88-108-101-080	0E	C-RES,U 100-1/16W J	LHSFD	CX-NSZ510
0 X	P-SUPPLY/PWB/FAN	R 0081	88-108-101-080	0E	C-RES,U 100-1/16W J	USM	CX-SNAJ310
X	P-SUPPLY/PWB/FAN	R 0085	88-108-103-080	0E	C-RES,U 10K-1/16W J	EZSFD	CX-NSZ315
0 X	P-SUPPLY/PWB/FAN	R 0085	88-108-103-080	0E	C-RES,U 10K-1/16W J	EZSFD	CX-NSZ310
0 X	P-SUPPLY/PWB/FAN	R 0085	88-108-103-080	0E	C-RES,U 10K-1/16W J	KSFD	CX-NSZ310
0 X	P-SUPPLY/PWB/FAN	R 0085	88-108-103-080	0E	C-RES,U 10K-1/16W J	LHSFD	CX-NSZ310
0 X	P-SUPPLY/PWB/FAN	R 0085	88-108-103-080	0E	C-RES,U 10K-1/16W J	LHSFD	CX-NSZ510
0 X	P-SUPPLY/PWB/FAN	R 0085	88-108-103-080	0E	C-RES,U 10K-1/16W J	USM	CX-SNAJ310

# PARTS LIST

! =  $\Delta$  SAFTY PARTS  
 C = Components marked

All components used on this model at the production line are shown in this service manual.

However, please note that not all components will be available as spare parts for after-sales service.

Components marked S and O are designated as spare parts for service and will be stocked at the spare parts centers.

Components marked X and R are not designated as spare parts for after sales service, and will not be stocked at the spare parts centers.

K NO. = Only use japanese.

! C	UNIT NAME	REF NO.	PARTS CODE	K NO.	DESCRIPTION	SUFFIX	MODEL NAME
0 X	P-SUPPLY/PWB/FAN	R 0086	88-108-334-080	0E	C-RES,U 330K-1/16W J	EZSFD	CX-NSZ315
0 X	P-SUPPLY/PWB/FAN	R 0086	88-108-334-080	0E	C-RES,U 330K-1/16W J	EZSFD	CX-NSZ310
0 X	P-SUPPLY/PWB/FAN	R 0086	88-108-334-080	0E	C-RES,U 330K-1/16W J	KSFD	CX-NSZ310
0 X	P-SUPPLY/PWB/FAN	R 0086	88-108-394-080	0E	C-RES,U 390K-1/16W J	USM	CX-SNAJ310
0 X	P-SUPPLY/PWB/FAN	R 0086	88-108-564-080	0E	C-RES,U 560K-1/16W J	LHSFD	CX-NSZ310
0 X	P-SUPPLY/PWB/FAN	R 0086	88-108-564-080	0E	C-RES,U 560K-1/16W J	LHSFD	CX-NSZ510
X	P-SUPPLY/PWB/FAN	R 0093	88-108-683-080	0E	C-RES,U 68K-1/16W J	EZSFD	CX-NSZ315
0 X	P-SUPPLY/PWB/FAN	R 0093	88-108-683-080	0E	C-RES,U 68K-1/16W J	EZSFD	CX-NSZ310
0 X	P-SUPPLY/PWB/FAN	R 0093	88-108-683-080	0E	C-RES,U 68K-1/16W J	KSFD	CX-NSZ310
0 X	P-SUPPLY/PWB/FAN	R 0093	88-108-823-080	0E	C-RES,U 82K-1/16W J	LHSFD	CX-NSZ310
0 X	P-SUPPLY/PWB/FAN	R 0093	88-108-823-080	0E	C-RES,U 82K-1/16W J	LHSFD	CX-NSZ510
0 X	P-SUPPLY/PWB/FAN	R 0093	88-108-823-080	0E	C-RES,U 82K-1/16W J	USM	CX-SNAJ310
X	P-SUPPLY/PWB/FAN	R 0094	88-108-393-080	0E	C-RES,U 39K-1/16W J	EZSFD	CX-NSZ315
0 X	P-SUPPLY/PWB/FAN	R 0094	88-108-393-080	0E	C-RES,U 39K-1/16W J	EZSFD	CX-NSZ310
0 X	P-SUPPLY/PWB/FAN	R 0094	88-108-393-080	0E	C-RES,U 39K-1/16W J	KSFD	CX-NSZ310
0 X	P-SUPPLY/PWB/FAN	R 0094	88-108-393-080	0E	C-RES,U 39K-1/16W J	LHSFD	CX-NSZ310
0 X	P-SUPPLY/PWB/FAN	R 0094	88-108-393-080	0E	C-RES,U 39K-1/16W J	LHSFD	CX-NSZ510
0 X	P-SUPPLY/PWB/FAN	R 0094	88-108-393-080	0E	C-RES,U 39K-1/16W J	USM	CX-SNAJ310
X	P-SUPPLY/PWB/FAN	R 0095	88-108-223-080	0E	C-RES,U 22K-1/16W J	EZSFD	CX-NSZ315
0 X	P-SUPPLY/PWB/FAN	R 0095	88-108-223-080	0E	C-RES,U 22K-1/16W J	EZSFD	CX-NSZ310
0 X	P-SUPPLY/PWB/FAN	R 0095	88-108-223-080	0E	C-RES,U 22K-1/16W J	KSFD	CX-NSZ310
0 X	P-SUPPLY/PWB/FAN	R 0095	88-108-223-080	0E	C-RES,U 22K-1/16W J	LHSFD	CX-NSZ310
0 X	P-SUPPLY/PWB/FAN	R 0095	88-108-223-080	0E	C-RES,U 22K-1/16W J	LHSFD	CX-NSZ510
0 X	P-SUPPLY/PWB/FAN	R 0095	88-108-273-080	0E	C-RES,U 27K-1/16W J	USM	CX-SNAJ310
X	P-SUPPLY/PWB/FAN	R 0096	88-108-683-080	0E	C-RES,U 68K-1/16W J	EZSFD	CX-NSZ315
0 X	P-SUPPLY/PWB/FAN	R 0096	88-108-683-080	0E	C-RES,U 68K-1/16W J	EZSFD	CX-NSZ310
0 X	P-SUPPLY/PWB/FAN	R 0096	88-108-683-080	0E	C-RES,U 68K-1/16W J	KSFD	CX-NSZ310
0 X	P-SUPPLY/PWB/FAN	R 0096	88-108-823-080	0E	C-RES,U 82K-1/16W J	LHSFD	CX-NSZ310
0 X	P-SUPPLY/PWB/FAN	R 0096	88-108-823-080	0E	C-RES,U 82K-1/16W J	LHSFD	CX-NSZ510
0 X	P-SUPPLY/PWB/FAN	R 0096	88-108-823-080	0E	C-RES,U 82K-1/16W J	USM	CX-SNAJ310
0 X	P-SUPPLY/PWB/FAN	R 0098	88-128-129-080	0E	C-RES, 1.2-1/8W J	USM	CX-SNAJ310
0 X	P-SUPPLY/PWB/FAN	R 0099	88-128-129-080	0E	C-RES, 1.2-1/8W J	USM	CX-SNAJ310
O	P-SUPPLY/PWB/FAN	W 0099	8A-NF9-609-010	1A	F-CABLE,9P 2.5 480MM	EZSFD	CX-NSZ315
O	P-SUPPLY/PWB/FAN	W 0099	8A-NF9-609-010	1A	F-CABLE,9P 2.5 480MM	EZSFD	CX-NSZ310
O	P-SUPPLY/PWB/FAN	W 0099	8A-NF9-609-010	1A	F-CABLE,9P 2.5 480MM	KSFD	CX-NSZ310
O	P-SUPPLY/PWB/FAN	W 0099	8A-NF9-609-010	1A	F-CABLE,9P 2.5 480MM	USM	CX-SNAJ310
!	O P-SUPPLY/PWB/FAN	WH 0001	87-A90-510-010	0E	HLDR,WIRE 2.5-9P	EZSFD	CX-NSZ315
O	P-SUPPLY/PWB/FAN	WH 0001	87-A90-510-010	0E	HLDR,WIRE 2.5-9P	EZSFD	CX-NSZ310
O	P-SUPPLY/PWB/FAN	WH 0001	87-A90-510-010	0E	HLDR,WIRE 2.5-9P	KSFD	CX-NSZ310
O	P-SUPPLY/PWB/FAN	WH 0001	87-A90-510-010	0E	HLDR,WIRE 2.5-9P	LHSFD	CX-NSZ310
0 O	P-SUPPLY/PWB/FAN	WH 0001	87-A90-510-010	0E	HLDR,WIRE 2.5-9P	LHSFD	CX-NSZ510
0 O	P-SUPPLY/PWB/FAN	WH 0001	87-A90-510-010	0E	HLDR,WIRE 2.5-9P	USM	CX-SNAJ310
X	PACKING		87-B40-057-010	0E	BAG, PP 0.03-150-200	EZSFD	CX-NSZ315
0 X	PACKING		87-B40-057-010	0E	BAG, PP 0.03-150-200	EZSFD	CX-NSZ310
X	PACKING		87-B40-098-010	0E	BAG, PV 0.025-650-750 PL	EZSFD	CX-NSZ315
0 X	PACKING		87-B40-098-010	0E	BAG, PV 0.025-650-750 PL	EZSFD	CX-NSZ310
0 X	PACKING		87-B40-098-010	0E	BAG, PV 0.025-650-750 PL	KSFD	CX-NSZ310
0 X	PACKING		87-B40-098-010	0E	BAG, PV 0.025-650-750 PL	LHSFD	CX-NSZ310
0 X	PACKING		87-B40-098-010	0E	BAG, PV 0.025-650-750 PL	LHSFD	CX-NSZ510
0 X	PACKING		87-B40-098-010	0E	BAG, PV 0.025-650-750 PL	USM	CX-SNAJ310
0 X	PACKING		8B-NFY-860-010	1A	CUSHION,FRONT M	USM	CX-SNAJ310
0 X	PACKING		8B-NFY-861-010	1A	CUSHION,REAR M	USM	CX-SNAJ310
0 X	PACKING		8B-NFY-867-010	--	CUSHION,FRONT/LHFD	LHSFD	CX-NSZ310
0 X	PACKING		8B-NFY-867-010	--	CUSHION,FRONT/LHFD	LHSFD	CX-NSZ510
0 X	PACKING		8B-NFY-868-010	--	CUSHION,REAR/LHFD	LHSFD	CX-NSZ310
0 X	PACKING		8B-NFY-868-010	--	CUSHION,REAR/LHFD	LHSFD	CX-NSZ510
0 X	PACKING		8B-NFY-869-010	--	CUSHION,FRONT FD	EZSFD	CX-NSZ310
0 X	PACKING		8B-NFY-869-010	--	CUSHION,FRONT FD	KSFD	CX-NSZ310
X	PACKING		8B-NFY-869-110	--	CUSHION,FRONT FD	EZSFD	CX-NSZ315
0 X	PACKING		8B-NFY-870-010	--	CUSHION,REAR FD	EZSFD	CX-NSZ310
0 X	PACKING		8B-NFY-870-010	--	CUSHION,REAR FD	KSFD	CX-NSZ310
X	PACKING		8B-NFY-871-010	--	CTN,PRINTED LHSFD	EZSFD	CX-NSZ315
0 X	PACKING		8B-NFY-872-010	--	CTN,PRINTED KSFD	LHSFD	CX-NSZ310
0 X	PACKING		8B-NFY-873-010	--	CTN,PRINTED EZSFD	KSFD	CX-NSZ310
0 X	PACKING		8B-NFY-874-010	--	CTN,PRINTED LHSFD	EZSFD	CX-NSZ310
X	PACKING		8B-NFY-875-010	--	CTN,PRINTED 315EZSFD	LHSFD	CX-NSZ510
X	PACKING		8Z-NF8-864-010	--	PAD,BOX FD	EZSFD	CX-NSZ315
X	PACKING		93-704-337-010	1A	SH,FOAMED-MAT 0.31-800-500	EZSFD	CX-NSZ315
0 X	PACKING		93-704-337-010	1A	SH,FOAMED-MAT 0.31-800-500	EZSFD	CX-NSZ310



# PARTS LIST

! =  $\Delta$  SAFTY PARTS  
 C = Components marked

All components used on this model at the production line are shown in this service manual.

However, please note that not all components will be available as spare parts for after-sales service.

Components marked S and O are designated as spare parts for service and will be stocked at the spare parts centers.

Components marked X and R are not designated as spare parts for after sales service, and will not be stocked at the spare parts centers.

K NO. = Only use japanese.

! C	UNIT NAME	REF NO.	PARTS CODE	K NO.	DESCRIPTION	SUFFIX	MODEL NAME
0 X	PACKING		93-704-337-010	1A	SH, FOAMED-MAT 0.31-800-500	KSFD	CX-NSZ310
0 X	PACKING		93-704-337-010	1A	SH, FOAMED-MAT 0.31-800-500	LHSFD	CX-NSZ310
0 X	PACKING		93-704-337-010	1A	SH, FOAMED-MAT 0.31-800-500	LHSFD	CX-NSZ510
0 X	PACKING		93-704-337-010	1A	SH, FOAMED-MAT 0.31-800-500	USM	CX-SNAJ310
0 X	PLATE		84-711-909-010	1A	LBL DATE CODE	USM	CX-SNAJ310
! X	PLATE		87-057-961-010	0E	LBL, CAUTION TRIANGLE	EZSFD	CX-NSZ315
0 X	PLATE		87-057-961-010	0E	LBL, CAUTION TRIANGLE	EZSFD	CX-NSZ310
0 X	PLATE		87-057-961-010	0E	LBL, CAUTION TRIANGLE	KSFD	CX-NSZ310
0 X	PLATE		87-057-961-010	0E	LBL, CAUTION TRIANGLE	LHSFD	CX-NSZ310
0 X	PLATE		87-057-961-010	0E	LBL, CAUTION TRIANGLE	LHSFD	CX-NSZ510
! X	PLATE		87-057-995-010	0E	LBL, CAUTION EFSO	EZSFD	CX-NSZ315
0 X	PLATE		87-057-995-010	0E	LBL, CAUTION EFSO	EZSFD	CX-NSZ310
0 X	PLATE		87-057-995-010	0E	LBL, CAUTION EFSO	KSFD	CX-NSZ310
0 X	PLATE		87-057-995-010	0E	LBL, CAUTION EFSO	LHSFD	CX-NSZ310
0 X	PLATE		87-057-995-010	0E	LBL, CAUTION EFSO	LHSFD	CX-NSZ510
X	PLATE		87-B40-281-010	0E	LBL, BAR-CODE A 35X8	EZSFD	CX-NSZ315
0 X	PLATE		87-B40-281-010	0E	LBL, BAR-CODE A 35X8	EZSFD	CX-NSZ310
0 X	PLATE		87-B40-281-010	0E	LBL, BAR-CODE A 35X8	KSFD	CX-NSZ310
0 X	PLATE		87-B40-281-010	0E	LBL, BAR-CODE A 35X8	LHSFD	CX-NSZ310
0 X	PLATE		87-B40-281-010	0E	LBL, BAR-CODE A 35X8	LHSFD	CX-NSZ510
0 X	PLATE		87-B40-282-010	0E	LBL, BAR-CODE AU 35X8	USM	CX-SNAJ310
0 O	POWER AMP	C 0101	87-012-278-080	0E	C-CAP,U 2200P-50 K B	EZSFD	CX-NSZ315
0 O	POWER AMP	C 0101	87-012-278-080	0E	C-CAP,U 2200P-50 K B	EZSFD	CX-NSZ310
0 O	POWER AMP	C 0101	87-012-278-080	0E	C-CAP,U 2200P-50 K B	KSFD	CX-NSZ310
0 O	POWER AMP	C 0101	87-012-279-080	0E	C-CAP,U 2700P-50 K B GRM	LHSFD	CX-NSZ310
0 O	POWER AMP	C 0101	87-012-279-080	0E	C-CAP,U 2700P-50 K B GRM	LHSFD	CX-NSZ510
0 O	POWER AMP	C 0101	87-012-279-080	0E	C-CAP,U 2700P-50 K B GRM	USM	CX-SNAJ310
0 O	POWER AMP	C 0102	87-012-278-080	0E	C-CAP,U 2200P-50 K B	EZSFD	CX-NSZ315
0 O	POWER AMP	C 0102	87-012-278-080	0E	C-CAP,U 2200P-50 K B	EZSFD	CX-NSZ310
0 O	POWER AMP	C 0102	87-012-278-080	0E	C-CAP,U 2200P-50 K B	KSFD	CX-NSZ310
0 O	POWER AMP	C 0102	87-012-279-080	0E	C-CAP,U 2700P-50 K B GRM	LHSFD	CX-NSZ310
0 O	POWER AMP	C 0102	87-012-279-080	0E	C-CAP,U 2700P-50 K B GRM	LHSFD	CX-NSZ510
0 O	POWER AMP	C 0102	87-012-279-080	0E	C-CAP,U 2700P-50 K B GRM	USM	CX-SNAJ310
0 O	POWER AMP	C 0103	87-A12-084-080	0E	CAP,E 0.22-50 SMG	EZSFD	CX-NSZ315
0 O	POWER AMP	C 0103	87-A12-084-080	0E	CAP,E 0.22-50 SMG	EZSFD	CX-NSZ310
0 O	POWER AMP	C 0103	87-A12-084-080	0E	CAP,E 0.22-50 SMG	KSFD	CX-NSZ310
0 O	POWER AMP	C 0103	87-A12-084-080	0E	CAP,E 0.22-50 SMG	LHSFD	CX-NSZ310
0 O	POWER AMP	C 0103	87-A12-084-080	0E	CAP,E 0.22-50 SMG	LHSFD	CX-NSZ510
0 O	POWER AMP	C 0103	87-A12-084-080	0E	CAP,E 0.22-50 SMG	USM	CX-SNAJ310
0 O	POWER AMP	C 0104	87-A12-084-080	0E	CAP,E 0.22-50 SMG	EZSFD	CX-NSZ315
0 O	POWER AMP	C 0104	87-A12-084-080	0E	CAP,E 0.22-50 SMG	EZSFD	CX-NSZ310
0 O	POWER AMP	C 0104	87-A12-084-080	0E	CAP,E 0.22-50 SMG	LHSFD	CX-NSZ310
0 O	POWER AMP	C 0104	87-A12-084-080	0E	CAP,E 0.22-50 SMG	LHSFD	CX-NSZ510
0 O	POWER AMP	C 0104	87-A12-084-080	0E	CAP,E 0.22-50 SMG	USM	CX-SNAJ310
0 O	POWER AMP	C 0105	87-012-277-080	0E	C-CAP,U 1800P-50 K B GRM	EZSFD	CX-NSZ315
0 O	POWER AMP	C 0105	87-012-277-080	0E	C-CAP,U 1800P-50 K B GRM	EZSFD	CX-NSZ310
0 O	POWER AMP	C 0105	87-012-277-080	0E	C-CAP,U 1800P-50 K B GRM	KSFD	CX-NSZ310
0 O	POWER AMP	C 0105	87-012-277-080	0E	C-CAP,U 1800P-50 K B GRM	LHSFD	CX-NSZ310
0 O	POWER AMP	C 0105	87-012-277-080	0E	C-CAP,U 1800P-50 K B GRM	LHSFD	CX-NSZ510
0 O	POWER AMP	C 0105	87-012-277-080	0E	C-CAP,U 1800P-50 K B GRM	USM	CX-SNAJ310
0 O	POWER AMP	C 0106	87-012-277-080	0E	C-CAP,U 1800P-50 K B GRM	EZSFD	CX-NSZ315
0 O	POWER AMP	C 0106	87-012-277-080	0E	C-CAP,U 1800P-50 K B GRM	EZSFD	CX-NSZ310
0 O	POWER AMP	C 0106	87-012-277-080	0E	C-CAP,U 1800P-50 K B GRM	KSFD	CX-NSZ310
0 O	POWER AMP	C 0106	87-012-277-080	0E	C-CAP,U 1800P-50 K B GRM	LHSFD	CX-NSZ310
0 O	POWER AMP	C 0106	87-012-277-080	0E	C-CAP,U 1800P-50 K B GRM	LHSFD	CX-NSZ510
0 O	POWER AMP	C 0106	87-012-277-080	0E	C-CAP,U 1800P-50 K B GRM	USM	CX-SNAJ310
0 O	POWER AMP	C 0107	87-A12-089-080	0E	CAP,E 3.3-50 SMG	EZSFD	CX-NSZ315
0 O	POWER AMP	C 0107	87-A12-089-080	0E	CAP,E 3.3-50 SMG	EZSFD	CX-NSZ310
0 O	POWER AMP	C 0107	87-A12-089-080	0E	CAP,E 3.3-50 SMG	KSFD	CX-NSZ310
0 O	POWER AMP	C 0107	87-A12-089-080	0E	CAP,E 3.3-50 SMG	LHSFD	CX-NSZ310
0 O	POWER AMP	C 0107	87-A12-089-080	0E	CAP,E 3.3-50 SMG	LHSFD	CX-NSZ510
0 O	POWER AMP	C 0107	87-A12-089-080	0E	CAP,E 3.3-50 SMG	USM	CX-SNAJ310
0 O	POWER AMP	C 0108	87-A12-089-080	0E	CAP,E 3.3-50 SMG	EZSFD	CX-NSZ315
0 O	POWER AMP	C 0108	87-A12-089-080	0E	CAP,E 3.3-50 SMG	EZSFD	CX-NSZ310
0 O	POWER AMP	C 0108	87-A12-089-080	0E	CAP,E 3.3-50 SMG	KSFD	CX-NSZ310
0 O	POWER AMP	C 0108	87-A12-089-080	0E	CAP,E 3.3-50 SMG	LHSFD	CX-NSZ310
0 O	POWER AMP	C 0108	87-A12-089-080	0E	CAP,E 3.3-50 SMG	LHSFD	CX-NSZ510
0 O	POWER AMP	C 0108	87-A12-089-080	0E	CAP,E 3.3-50 SMG	USM	CX-SNAJ310
0 O	POWER AMP	C 0109	87-012-195-080	0E	C-CAP,U 100P-50 J CH	EZSFD	CX-NSZ315

# PARTS LIST

! =  $\Delta$  SAFTY PARTS  
 C = Components marked

All components used on this model at the production line are shown in this service manual.

However, please note that not all components will be available as spare parts for after-sales service.

Components marked S and O are designated as spare parts for service and will be stocked at the spare parts centers.

Components marked X and R are not designated as spare parts for after sales service, and will not be stocked at the spare parts centers.

K NO. = Only use japanese.

! C	UNIT NAME	REF NO.	PARTS CODE	K NO.	DESCRIPTION	SUFFIX	MODEL NAME
0 O	POWER AMP	C 0109	87-012-195-080	0E	C-CAP,U 100P-50 J CH	EZSFD	CX-NSZ310
0 O	POWER AMP	C 0109	87-012-195-080	0E	C-CAP,U 100P-50 J CH	KSFD	CX-NSZ310
0 O	POWER AMP	C 0110	87-012-195-080	0E	C-CAP,U 100P-50 J CH	EZSFD	CX-NSZ315
0 O	POWER AMP	C 0110	87-012-195-080	0E	C-CAP,U 100P-50 J CH	EZSFD	CX-NSZ310
0 O	POWER AMP	C 0110	87-012-195-080	0E	C-CAP,U 100P-50 J CH	KSFD	CX-NSZ310
0 O	POWER AMP	C 0111	87-A12-077-080	0E	CAP,E 33-35 SMG	EZSFD	CX-NSZ315
0 O	POWER AMP	C 0111	87-A12-077-080	0E	CAP,E 33-35 SMG	EZSFD	CX-NSZ310
0 O	POWER AMP	C 0111	87-A12-077-080	0E	CAP,E 33-35 SMG	KSFD	CX-NSZ310
0 O	POWER AMP	C 0111	87-A12-077-080	0E	CAP,E 33-35 SMG	LHSFD	CX-NSZ310
0 O	POWER AMP	C 0111	87-A12-077-080	0E	CAP,E 33-35 SMG	LHSFD	CX-NSZ510
0 O	POWER AMP	C 0111	87-A12-077-080	0E	CAP,E 33-35 SMG	USM	CX-SNAJ310
0 O	POWER AMP	C 0112	87-A12-077-080	0E	CAP,E 33-35 SMG	EZSFD	CX-NSZ315
0 O	POWER AMP	C 0112	87-A12-077-080	0E	CAP,E 33-35 SMG	EZSFD	CX-NSZ310
0 O	POWER AMP	C 0112	87-A12-077-080	0E	CAP,E 33-35 SMG	KSFD	CX-NSZ310
0 O	POWER AMP	C 0112	87-A12-077-080	0E	CAP,E 33-35 SMG	LHSFD	CX-NSZ310
0 O	POWER AMP	C 0112	87-A12-077-080	0E	CAP,E 33-35 SMG	LHSFD	CX-NSZ510
0 O	POWER AMP	C 0112	87-A12-077-080	0E	CAP,E 33-35 SMG	USM	CX-SNAJ310
0 O	POWER AMP	C 0113	87-012-195-080	0E	C-CAP,U 100P-50 J CH	EZSFD	CX-NSZ315
0 O	POWER AMP	C 0113	87-012-195-080	0E	C-CAP,U 100P-50 J CH	EZSFD	CX-NSZ310
0 O	POWER AMP	C 0113	87-012-195-080	0E	C-CAP,U 100P-50 J CH	KSFD	CX-NSZ310
0 O	POWER AMP	C 0113	87-012-195-080	0E	C-CAP,U 100P-50 J CH	USM	CX-SNAJ310
0 O	POWER AMP	C 0113	87-A10-596-080	0E	C-CAP,S 100P-100 J CH	LHSFD	CX-NSZ310
0 O	POWER AMP	C 0113	87-A10-596-080	0E	C-CAP,S 100P-100 J CH	LHSFD	CX-NSZ510
0 O	POWER AMP	C 0114	87-012-195-080	0E	C-CAP,U 100P-50 J CH	EZSFD	CX-NSZ315
0 O	POWER AMP	C 0114	87-012-195-080	0E	C-CAP,U 100P-50 J CH	EZSFD	CX-NSZ310
0 O	POWER AMP	C 0114	87-012-195-080	0E	C-CAP,U 100P-50 J CH	KSFD	CX-NSZ310
0 O	POWER AMP	C 0114	87-012-195-080	0E	C-CAP,U 100P-50 J CH	USM	CX-SNAJ310
0 O	POWER AMP	C 0114	87-A10-596-080	0E	C-CAP,S 100P-100 J CH	LHSFD	CX-NSZ310
0 O	POWER AMP	C 0114	87-A10-596-080	0E	C-CAP,S 100P-100 J CH	LHSFD	CX-NSZ510
0 O	POWER AMP	C 0117	87-012-368-080	0E	C-CAP,S 0.1-50 Z F	EZSFD	CX-NSZ315
0 O	POWER AMP	C 0117	87-012-368-080	0E	C-CAP,S 0.1-50 Z F	EZSFD	CX-NSZ310
0 O	POWER AMP	C 0117	87-012-368-080	0E	C-CAP,S 0.1-50 Z F	KSFD	CX-NSZ310
0 O	POWER AMP	C 0117	87-012-368-080	0E	C-CAP,S 0.1-50 Z F	LHSFD	CX-NSZ310
0 O	POWER AMP	C 0117	87-012-368-080	0E	C-CAP,S 0.1-50 Z F	LHSFD	CX-NSZ510
0 O	POWER AMP	C 0117	87-012-368-080	0E	C-CAP,S 0.1-50 Z F	USM	CX-SNAJ310
0 O	POWER AMP	C 0118	87-012-368-080	0E	C-CAP,S 0.1-50 Z F	EZSFD	CX-NSZ315
0 O	POWER AMP	C 0118	87-012-368-080	0E	C-CAP,S 0.1-50 Z F	EZSFD	CX-NSZ310
0 O	POWER AMP	C 0118	87-012-368-080	0E	C-CAP,S 0.1-50 Z F	KSFD	CX-NSZ310
0 O	POWER AMP	C 0118	87-012-368-080	0E	C-CAP,S 0.1-50 Z F	LHSFD	CX-NSZ310
0 O	POWER AMP	C 0118	87-012-368-080	0E	C-CAP,S 0.1-50 Z F	LHSFD	CX-NSZ510
0 O	POWER AMP	C 0118	87-012-368-080	0E	C-CAP,S 0.1-50 Z F	USM	CX-SNAJ310
0 O	POWER AMP	C 0119	87-012-286-080	0E	C-CAP,U 0.01-25 K B	EZSFD	CX-NSZ315
0 O	POWER AMP	C 0119	87-012-286-080	0E	C-CAP,U 0.01-25 K B	EZSFD	CX-NSZ310
0 O	POWER AMP	C 0119	87-012-286-080	0E	C-CAP,U 0.01-25 K B	KSFD	CX-NSZ310
0 O	POWER AMP	C 0119	87-012-286-080	0E	C-CAP,U 0.01-25 K B	LHSFD	CX-NSZ310
0 O	POWER AMP	C 0119	87-012-286-080	0E	C-CAP,U 0.01-25 K B	LHSFD	CX-NSZ510
0 O	POWER AMP	C 0119	87-012-286-080	0E	C-CAP,U 0.01-25 K B	USM	CX-SNAJ310
0 O	POWER AMP	C 0120	87-012-286-080	0E	C-CAP,U 0.01-25 K B	EZSFD	CX-NSZ315
0 O	POWER AMP	C 0120	87-012-286-080	0E	C-CAP,U 0.01-25 K B	EZSFD	CX-NSZ310
0 O	POWER AMP	C 0120	87-012-286-080	0E	C-CAP,U 0.01-25 K B	KSFD	CX-NSZ310
0 O	POWER AMP	C 0120	87-012-286-080	0E	C-CAP,U 0.01-25 K B	LHSFD	CX-NSZ310
0 O	POWER AMP	C 0120	87-012-286-080	0E	C-CAP,U 0.01-25 K B	LHSFD	CX-NSZ510
0 O	POWER AMP	C 0123	87-010-177-080	0E	C-CAP,S 820P-50 J SL C2012	USM	CX-SNAJ310
0 O	POWER AMP	C 0123	87-010-177-080	0E	C-CAP,S 820P-50 J SL C2012	EZSFD	CX-NSZ315
0 O	POWER AMP	C 0123	87-010-177-080	0E	C-CAP,S 820P-50 J SL C2012	EZSFD	CX-NSZ310
0 O	POWER AMP	C 0123	87-010-177-080	0E	C-CAP,S 820P-50 J SL C2012	KSFD	CX-NSZ310
0 O	POWER AMP	C 0123	87-010-177-080	0E	C-CAP,S 820P-50 J SL C2012	LHSFD	CX-NSZ310
0 O	POWER AMP	C 0123	87-010-177-080	0E	C-CAP,S 820P-50 J SL C2012	LHSFD	CX-NSZ510
0 O	POWER AMP	C 0123	87-010-177-080	0E	C-CAP,S 820P-50 J SL C2012	USM	CX-SNAJ310
0 O	POWER AMP	C 0124	87-010-177-080	0E	C-CAP,S 820P-50 J SL C2012	EZSFD	CX-NSZ315
0 O	POWER AMP	C 0124	87-010-177-080	0E	C-CAP,S 820P-50 J SL C2012	EZSFD	CX-NSZ310
0 O	POWER AMP	C 0124	87-010-177-080	0E	C-CAP,S 820P-50 J SL C2012	KSFD	CX-NSZ310
0 O	POWER AMP	C 0124	87-010-177-080	0E	C-CAP,S 820P-50 J SL C2012	LHSFD	CX-NSZ310
0 O	POWER AMP	C 0124	87-010-177-080	0E	C-CAP,S 820P-50 J SL C2012	LHSFD	CX-NSZ510
0 O	POWER AMP	C 0124	87-010-177-080	0E	C-CAP,S 820P-50 J SL C2012	USM	CX-SNAJ310
0 O	POWER AMP	C 0133	87-012-282-080	0E	C-CAP,U 4700P-50 K B	EZSFD	CX-NSZ315
0 O	POWER AMP	C 0133	87-012-282-080	0E	C-CAP,U 4700P-50 K B	EZSFD	CX-NSZ310
0 O	POWER AMP	C 0133	87-012-282-080	0E	C-CAP,U 4700P-50 K B	KSFD	CX-NSZ310
0 O	POWER AMP	C 0133	87-012-282-080	0E	C-CAP,U 4700P-50 K B	LHSFD	CX-NSZ310
0 O	POWER AMP	C 0133	87-012-282-080	0E	C-CAP,U 4700P-50 K B	LHSFD	CX-NSZ510

# PARTS LIST

! =  $\Delta$  SAFTY PARTS  
 C = Components marked

All components used on this model at the production line are shown in this service manual.

However, please note that not all components will be available as spare parts for after-sales service.

Components marked S and O are designated as spare parts for service and will be stocked at the spare parts centers.

Components marked X and R are not designated as spare parts for after sales service, and will not be stocked at the spare parts centers.

K NO. = Only use japanese.

! C	UNIT NAME	REF NO.	PARTS CODE	K NO.	DESCRIPTION	SUFFIX	MODEL NAME
0 O	POWER AMP	C 0133	87-012-282-080	0E	C-CAP,U 4700P-50 K B	USM	CX-SNAJ310
0 O	POWER AMP	C 0140	87-012-278-080	0E	C-CAP,U 2200P-50 K B	EZSFD	CX-NSZ315
0 O	POWER AMP	C 0140	87-012-278-080	0E	C-CAP,U 2200P-50 K B	EZSFD	CX-NSZ310
0 O	POWER AMP	C 0140	87-012-278-080	0E	C-CAP,U 2200P-50 K B	KSFD	CX-NSZ310
0 O	POWER AMP	C 0140	87-012-278-080	0E	C-CAP,U 2200P-50 K B	LHSFD	CX-NSZ310
0 O	POWER AMP	C 0140	87-012-278-080	0E	C-CAP,U 2200P-50 K B	LHSFD	CX-NSZ510
0 O	POWER AMP	C 0140	87-012-278-080	0E	C-CAP,U 2200P-50 K B	USM	CX-SNAJ310
0 O	POWER AMP	C 0186	87-010-759-080	0E	C-CAP,U 0.1-25 Z F	EZSFD	CX-NSZ315
0 O	POWER AMP	C 0186	87-010-759-080	0E	C-CAP,U 0.1-25 Z F	EZSFD	CX-NSZ310
0 O	POWER AMP	C 0186	87-010-759-080	0E	C-CAP,U 0.1-25 Z F	KSFD	CX-NSZ310
0 O	POWER AMP	C 0186	87-010-759-080	0E	C-CAP,U 0.1-25 Z F	LHSFD	CX-NSZ310
0 O	POWER AMP	C 0186	87-010-759-080	0E	C-CAP,U 0.1-25 Z F	LHSFD	CX-NSZ510
0 O	POWER AMP	C 0186	87-010-759-080	0E	C-CAP,U 0.1-25 Z F	USM	CX-SNAJ310
0 O	POWER AMP	C 0187	87-010-866-080	0E	CAP,E 10-63 M VX	LHSFD	CX-NSZ310
0 O	POWER AMP	C 0187	87-010-866-080	0E	CAP,E 10-63 M VX	LHSFD	CX-NSZ510
0 O	POWER AMP	C 0187	87-010-866-080	0E	CAP,E 10-63 M VX	USM	CX-SNAJ310
0 O	POWER AMP	C 0187	87-A12-091-080	0E	CAP,E 10-50 SMG	EZSFD	CX-NSZ315
0 O	POWER AMP	C 0187	87-A12-091-080	0E	CAP,E 10-50 SMG	EZSFD	CX-NSZ310
0 O	POWER AMP	C 0187	87-A12-091-080	0E	CAP,E 10-50 SMG	KSFD	CX-NSZ310
0 O	POWER AMP	C 0188	87-010-866-080	0E	CAP,E 10-63 M VX	LHSFD	CX-NSZ310
0 O	POWER AMP	C 0188	87-010-866-080	0E	CAP,E 10-63 M VX	USM	CX-SNAJ310
0 O	POWER AMP	C 0188	87-A12-091-080	0E	CAP,E 10-50 SMG	EZSFD	CX-NSZ315
0 O	POWER AMP	C 0188	87-A12-091-080	0E	CAP,E 10-50 SMG	EZSFD	CX-NSZ310
0 O	POWER AMP	C 0188	87-A12-091-080	0E	CAP,E 10-50 SMG	KSFD	CX-NSZ310
0 O	POWER AMP	C 0223	87-010-176-080	0E	C-CAP,S 680P-50 J SL	EZSFD	CX-NSZ315
0 O	POWER AMP	C 0223	87-010-176-080	0E	C-CAP,S 680P-50 J SL	EZSFD	CX-NSZ310
0 O	POWER AMP	C 0223	87-010-176-080	0E	C-CAP,S 680P-50 J SL	KSFD	CX-NSZ310
0 O	POWER AMP	C 0224	87-010-176-080	0E	C-CAP,S 680P-50 J SL	EZSFD	CX-NSZ315
0 O	POWER AMP	C 0224	87-010-176-080	0E	C-CAP,S 680P-50 J SL	EZSFD	CX-NSZ310
0 O	POWER AMP	C 0224	87-010-176-080	0E	C-CAP,S 680P-50 J SL	KSFD	CX-NSZ310
0 O	POWER AMP	C 0225	87-012-368-080	0E	C-CAP,S 0.1-50 Z F	EZSFD	CX-NSZ315
0 O	POWER AMP	C 0225	87-012-368-080	0E	C-CAP,S 0.1-50 Z F	EZSFD	CX-NSZ310
0 O	POWER AMP	C 0225	87-012-368-080	0E	C-CAP,S 0.1-50 Z F	KSFD	CX-NSZ310
0 O	POWER AMP	C 0225	87-012-368-080	0E	C-CAP,S 0.1-50 Z F	LHSFD	CX-NSZ310
0 O	POWER AMP	C 0225	87-012-368-080	0E	C-CAP,S 0.1-50 Z F	LHSFD	CX-NSZ510
0 O	POWER AMP	C 0225	87-012-368-080	0E	C-CAP,S 0.1-50 Z F	USM	CX-SNAJ310
0 O	POWER AMP	C 0226	87-012-368-080	0E	C-CAP,S 0.1-50 Z F	EZSFD	CX-NSZ315
0 O	POWER AMP	C 0226	87-012-368-080	0E	C-CAP,S 0.1-50 Z F	EZSFD	CX-NSZ310
0 O	POWER AMP	C 0226	87-012-368-080	0E	C-CAP,S 0.1-50 Z F	KSFD	CX-NSZ310
0 O	POWER AMP	C 0226	87-012-368-080	0E	C-CAP,S 0.1-50 Z F	LHSFD	CX-NSZ310
0 O	POWER AMP	C 0226	87-012-368-080	0E	C-CAP,S 0.1-50 Z F	LHSFD	CX-NSZ510
0 O	POWER AMP	C 0227	87-012-368-080	0E	C-CAP,S 0.1-50 Z F	EZSFD	CX-NSZ310
0 O	POWER AMP	C 0227	87-012-368-080	0E	C-CAP,S 0.1-50 Z F	KSFD	CX-NSZ310
0 O	POWER AMP	C 0227	87-012-368-080	0E	C-CAP,S 0.1-50 Z F	LHSFD	CX-NSZ310
0 O	POWER AMP	C 0227	87-012-368-080	0E	C-CAP,S 0.1-50 Z F	LHSFD	CX-NSZ510
0 O	POWER AMP	C 0227	87-012-368-080	0E	C-CAP,S 0.1-50 Z F	USM	CX-SNAJ310
0 O	POWER AMP	C 0228	87-012-368-080	0E	C-CAP,S 0.1-50 Z F	EZSFD	CX-NSZ315
0 O	POWER AMP	C 0228	87-012-368-080	0E	C-CAP,S 0.1-50 Z F	EZSFD	CX-NSZ310
0 O	POWER AMP	C 0228	87-012-368-080	0E	C-CAP,S 0.1-50 Z F	KSFD	CX-NSZ310
0 O	POWER AMP	C 0228	87-012-368-080	0E	C-CAP,S 0.1-50 Z F	LHSFD	CX-NSZ310
0 O	POWER AMP	C 0228	87-012-368-080	0E	C-CAP,S 0.1-50 Z F	LHSFD	CX-NSZ510
0 O	POWER AMP	C 0229	87-010-191-080	0E	C-CAP,S 0.015-50 Z F GRM	USM	CX-SNAJ310
0 O	POWER AMP	C 0229	87-010-191-080	0E	C-CAP,S 0.015-50 Z F GRM	EZSFD	CX-NSZ315
0 O	POWER AMP	C 0229	87-010-191-080	0E	C-CAP,S 0.015-50 Z F GRM	EZSFD	CX-NSZ310
0 O	POWER AMP	C 0230	87-010-191-080	0E	C-CAP,S 0.015-50 Z F GRM	KSFD	CX-NSZ310
0 O	POWER AMP	C 0230	87-010-191-080	0E	C-CAP,S 0.015-50 Z F GRM	EZSFD	CX-NSZ315
0 O	POWER AMP	C 0231	87-012-286-080	0E	C-CAP,U 0.01-25 K B	EZSFD	CX-NSZ310
0 O	POWER AMP	C 0231	87-012-286-080	0E	C-CAP,U 0.01-25 K B	EZSFD	CX-NSZ310
0 O	POWER AMP	C 0231	87-012-286-080	0E	C-CAP,U 0.01-25 K B	KSFD	CX-NSZ310
0 O	POWER AMP	C 0232	87-012-286-080	0E	C-CAP,U 0.01-25 K B	EZSFD	CX-NSZ315
0 O	POWER AMP	C 0232	87-012-286-080	0E	C-CAP,U 0.01-25 K B	EZSFD	CX-NSZ310
0 O	POWER AMP	C 0232	87-012-286-080	0E	C-CAP,U 0.01-25 K B	KSFD	CX-NSZ310
0 O	POWER AMP	C 0241	87-010-831-080	0E	C-CAP,U 0.1-16 Z F	EZSFD	CX-NSZ315
0 O	POWER AMP	C 0241	87-010-831-080	0E	C-CAP,U 0.1-16 Z F	EZSFD	CX-NSZ310
0 O	POWER AMP	C 0241	87-010-831-080	0E	C-CAP,U 0.1-16 Z F	KSFD	CX-NSZ310

# PARTS LIST

! =  $\Delta$  SAFTY PARTS  
 C = Components marked

All components used on this model at the production line are shown in this service manual.

However, please note that not all components will be available as spare parts for after-sales service.

Components marked S and O are designated as spare parts for service and will be stocked at the spare parts centers.

Components marked X and R are not designated as spare parts for after sales service, and will not be stocked at the spare parts centers.

K NO. = Only use japanese.

! C	UNIT NAME	REF NO.	PARTS CODE	K NO.	DESCRIPTION	SUFFIX	MODEL NAME
0 O	POWER AMP	C 0241	87-010-831-080	0E	C-CAP,U 0.1-16 Z F	LHSFD	CX-NSZ310
0 O	POWER AMP	C 0241	87-010-831-080	0E	C-CAP,U 0.1-16 Z F	LHSFD	CX-NSZ510
0 O	POWER AMP	C 0241	87-010-831-080	0E	C-CAP,U 0.1-16 Z F	USM	CX-SNAJ310
0 S	POWER AMP	D 0101	87-A40-269-080	0E	C-DIODE,MC2836	EZSFD	CX-NSZ315
0 S	POWER AMP	D 0101	87-A40-269-080	0E	C-DIODE,MC2836	EZSFD	CX-NSZ310
0 S	POWER AMP	D 0101	87-A40-269-080	0E	C-DIODE,MC2836	KSFD	CX-NSZ310
0 S	POWER AMP	D 0101	87-A40-269-080	0E	C-DIODE,MC2836	LHSFD	CX-NSZ310
0 S	POWER AMP	D 0101	87-A40-269-080	0E	C-DIODE,MC2836	LHSFD	CX-NSZ510
0 S	POWER AMP	D 0101	87-A40-269-080	0E	C-DIODE,MC2836	USM	CX-SNAJ310
0 S	POWER AMP	D 0103	87-A40-291-080	0E	DIODE,1N4148M (CPT)	EZSFD	CX-NSZ315
0 S	POWER AMP	D 0103	87-A40-291-080	0E	DIODE,1N4148M (CPT)	EZSFD	CX-NSZ310
0 S	POWER AMP	D 0103	87-A40-291-080	0E	DIODE,1N4148M (CPT)	KSFD	CX-NSZ310
0 S	POWER AMP	D 0103	87-A40-291-080	0E	DIODE,1N4148M (CPT)	LHSFD	CX-NSZ310
0 S	POWER AMP	D 0103	87-A40-291-080	0E	DIODE,1N4148M (CPT)	LHSFD	CX-NSZ510
0 S	POWER AMP	D 0103	87-A40-291-080	0E	DIODE,1N4148M (CPT)	USM	CX-SNAJ310
0 S	POWER AMP	D 0104	87-A40-291-080	0E	DIODE,1N4148M (CPT)	EZSFD	CX-NSZ315
0 S	POWER AMP	D 0104	87-A40-291-080	0E	DIODE,1N4148M (CPT)	EZSFD	CX-NSZ310
0 S	POWER AMP	D 0104	87-A40-291-080	0E	DIODE,1N4148M (CPT)	KSFD	CX-NSZ310
0 S	POWER AMP	D 0104	87-A40-291-080	0E	DIODE,1N4148M (CPT)	LHSFD	CX-NSZ310
0 S	POWER AMP	D 0104	87-A40-291-080	0E	DIODE,1N4148M (CPT)	LHSFD	CX-NSZ510
0 S	POWER AMP	D 0104	87-A40-291-080	0E	DIODE,1N4148M (CPT)	USM	CX-SNAJ310
0 S	POWER AMP	D 0105	87-A40-291-080	0E	DIODE,1N4148M (CPT)	EZSFD	CX-NSZ315
0 S	POWER AMP	D 0105	87-A40-291-080	0E	DIODE,1N4148M (CPT)	EZSFD	CX-NSZ310
0 S	POWER AMP	D 0105	87-A40-291-080	0E	DIODE,1N4148M (CPT)	KSFD	CX-NSZ310
0 S	POWER AMP	D 0105	87-A40-291-080	0E	DIODE,1N4148M (CPT)	LHSFD	CX-NSZ310
0 S	POWER AMP	D 0105	87-A40-291-080	0E	DIODE,1N4148M (CPT)	LHSFD	CX-NSZ510
0 S	POWER AMP	D 0105	87-A40-291-080	0E	DIODE,1N4148M (CPT)	USM	CX-SNAJ310
0 S	POWER AMP	D 0106	87-A40-291-080	0E	DIODE,1N4148M (CPT)	EZSFD	CX-NSZ315
0 S	POWER AMP	D 0106	87-A40-291-080	0E	DIODE,1N4148M (CPT)	EZSFD	CX-NSZ310
0 S	POWER AMP	D 0106	87-A40-291-080	0E	DIODE,1N4148M (CPT)	KSFD	CX-NSZ310
0 S	POWER AMP	D 0106	87-A40-291-080	0E	DIODE,1N4148M (CPT)	LHSFD	CX-NSZ310
0 S	POWER AMP	D 0106	87-A40-291-080	0E	DIODE,1N4148M (CPT)	LHSFD	CX-NSZ510
0 S	POWER AMP	D 0106	87-A40-291-080	0E	DIODE,1N4148M (CPT)	USM	CX-SNAJ310
0 S	POWER AMP	D 0107	87-A40-291-080	0E	DIODE,1N4148M (CPT)	EZSFD	CX-NSZ315
0 S	POWER AMP	D 0107	87-A40-291-080	0E	DIODE,1N4148M (CPT)	EZSFD	CX-NSZ310
0 S	POWER AMP	D 0107	87-A40-291-080	0E	DIODE,1N4148M (CPT)	KSFD	CX-NSZ310
0 S	POWER AMP	D 0107	87-A40-291-080	0E	DIODE,1N4148M (CPT)	LHSFD	CX-NSZ310
0 S	POWER AMP	D 0107	87-A40-291-080	0E	DIODE,1N4148M (CPT)	LHSFD	CX-NSZ510
0 S	POWER AMP	D 0107	87-A40-291-080	0E	DIODE,1N4148M (CPT)	USM	CX-SNAJ310
0 S	POWER AMP	D 0108	87-A40-291-080	0E	DIODE,1N4148M (CPT)	EZSFD	CX-NSZ315
0 S	POWER AMP	D 0108	87-A40-291-080	0E	DIODE,1N4148M (CPT)	KSFD	CX-NSZ310
0 S	POWER AMP	D 0108	87-A40-291-080	0E	DIODE,1N4148M (CPT)	LHSFD	CX-NSZ310
0 S	POWER AMP	D 0108	87-A40-291-080	0E	DIODE,1N4148M (CPT)	LHSFD	CX-NSZ510
0 S	POWER AMP	D 0108	87-A40-291-080	0E	DIODE,1N4148M (CPT)	USM	CX-SNAJ310
0 S	POWER AMP	D 0115	87-A40-270-080	0E	C-DIODE,MC2838	EZSFD	CX-NSZ315
0 S	POWER AMP	D 0115	87-A40-270-080	0E	C-DIODE,MC2838	EZSFD	CX-NSZ310
0 S	POWER AMP	D 0115	87-A40-270-080	0E	C-DIODE,MC2838	KSFD	CX-NSZ310
0 S	POWER AMP	D 0115	87-A40-270-080	0E	C-DIODE,MC2838	LHSFD	CX-NSZ310
0 S	POWER AMP	D 0115	87-A40-270-080	0E	C-DIODE,MC2838	LHSFD	CX-NSZ510
0 S	POWER AMP	D 0115	87-A40-270-080	0E	C-DIODE,MC2838	USM	CX-SNAJ310
0 S	POWER AMP	D 0117	87-A40-291-080	0E	DIODE,1N4148M (CPT)	EZSFD	CX-NSZ315
0 S	POWER AMP	D 0117	87-A40-291-080	0E	DIODE,1N4148M (CPT)	EZSFD	CX-NSZ310
0 S	POWER AMP	D 0117	87-A40-291-080	0E	DIODE,1N4148M (CPT)	KSFD	CX-NSZ310
0 S	POWER AMP	D 0117	87-A40-291-080	0E	DIODE,1N4148M (CPT)	LHSFD	CX-NSZ310
0 S	POWER AMP	D 0117	87-A40-291-080	0E	DIODE,1N4148M (CPT)	LHSFD	CX-NSZ510
0 S	POWER AMP	D 0117	87-A40-291-080	0E	DIODE,1N4148M (CPT)	USM	CX-SNAJ310
0 S	POWER AMP	D 0118	87-A40-291-080	0E	DIODE,1N4148M (CPT)	EZSFD	CX-NSZ315
0 S	POWER AMP	D 0118	87-A40-291-080	0E	DIODE,1N4148M (CPT)	EZSFD	CX-NSZ310
0 S	POWER AMP	D 0118	87-A40-291-080	0E	DIODE,1N4148M (CPT)	KSFD	CX-NSZ310
0 S	POWER AMP	D 0118	87-A40-291-080	0E	DIODE,1N4148M (CPT)	LHSFD	CX-NSZ310
0 S	POWER AMP	D 0118	87-A40-291-080	0E	DIODE,1N4148M (CPT)	LHSFD	CX-NSZ510
0 S	POWER AMP	D 0150	87-A40-270-080	0E	C-DIODE,MC2838	USM	CX-SNAJ310
0 S	POWER AMP	D 0150	87-A40-270-080	0E	C-DIODE,MC2838	EZSFD	CX-NSZ315
0 S	POWER AMP	D 0150	87-A40-270-080	0E	C-DIODE,MC2838	EZSFD	CX-NSZ310
0 S	POWER AMP	D 0150	87-A40-270-080	0E	C-DIODE,MC2838	KSFD	CX-NSZ310
0 S	POWER AMP	D 0150	87-A40-270-080	0E	C-DIODE,MC2838	LHSFD	CX-NSZ310
0 S	POWER AMP	D 0150	87-A40-270-080	0E	C-DIODE,MC2838	LHSFD	CX-NSZ510
0 S	POWER AMP	D 0150	87-A40-270-080	0E	C-DIODE,MC2838	USM	CX-SNAJ310
0 S	POWER AMP	D 0160	87-A40-270-080	0E	C-DIODE,MC2838	EZSFD	CX-NSZ315

# PARTS LIST

! =  $\Delta$  SAFTY PARTS  
 C = Components marked

All components used on this model at the production line are shown in this service manual.

However, please note that not all components will be available as spare parts for after-sales service.

Components marked S and O are designated as spare parts for service and will be stocked at the spare parts centers.

Components marked X and R are not designated as spare parts for after sales service, and will not be stocked at the spare parts centers.

K NO. = Only use japanese.

! C	UNIT NAME	REF NO.	PARTS CODE	K NO.	DESCRIPTION	SUFFIX	MODEL NAME
0 S	POWER AMP	D	0160 87-A40-270-080	0E	C-DIODE,MC2838	EZSFD	CX-NSZ310
0 S	POWER AMP	D	0160 87-A40-270-080	0E	C-DIODE,MC2838	KSFD	CX-NSZ310
0 S	POWER AMP	D	0160 87-A40-270-080	0E	C-DIODE,MC2838	LHSFD	CX-NSZ310
0 S	POWER AMP	D	0160 87-A40-270-080	0E	C-DIODE,MC2838	LHSFD	CX-NSZ510
0 S	POWER AMP	D	0160 87-A40-270-080	0E	C-DIODE,MC2838	USM	CX-SNAJ310
0 S	POWER AMP	D	0185 87-A40-393-090	0E	DIODE,1N5402GW (F20)	EZSFD	CX-NSZ315
0 S	POWER AMP	D	0185 87-A40-393-090	0E	DIODE,1N5402GW (F20)	EZSFD	CX-NSZ310
0 S	POWER AMP	D	0185 87-A40-393-090	0E	DIODE,1N5402GW (F20)	KSFD	CX-NSZ310
0 S	POWER AMP	D	0185 87-A40-393-090	0E	DIODE,1N5402GW (F20)	LHSFD	CX-NSZ310
0 S	POWER AMP	D	0185 87-A40-393-090	0E	DIODE,1N5402GW (F20)	LHSFD	CX-NSZ510
0 S	POWER AMP	D	0185 87-A40-393-090	0E	DIODE,1N5402GW (F20)	USM	CX-SNAJ310
S	POWER AMP	D	0186 87-A40-393-090	0E	DIODE,1N5402GW (F20)	EZSFD	CX-NSZ315
0 S	POWER AMP	D	0186 87-A40-393-090	0E	DIODE,1N5402GW (F20)	EZSFD	CX-NSZ310
0 S	POWER AMP	D	0186 87-A40-393-090	0E	DIODE,1N5402GW (F20)	KSFD	CX-NSZ310
0 S	POWER AMP	D	0186 87-A40-393-090	0E	DIODE,1N5402GW (F20)	LHSFD	CX-NSZ310
0 S	POWER AMP	D	0186 87-A40-393-090	0E	DIODE,1N5402GW (F20)	LHSFD	CX-NSZ510
0 S	POWER AMP	D	0186 87-A40-393-090	0E	DIODE,1N5402GW (F20)	USM	CX-SNAJ310
S	POWER AMP	D	0187 87-A40-747-080	0E	ZENER,UZ5.1BSB	EZSFD	CX-NSZ315
0 S	POWER AMP	D	0187 87-A40-747-080	0E	ZENER,UZ5.1BSB	EZSFD	CX-NSZ310
0 S	POWER AMP	D	0187 87-A40-747-080	0E	ZENER,UZ5.1BSB	KSFD	CX-NSZ310
0 S	POWER AMP	D	0187 87-A40-747-080	0E	ZENER,UZ5.1BSB	LHSFD	CX-NSZ310
0 S	POWER AMP	D	0187 87-A40-747-080	0E	ZENER,UZ5.1BSB	LHSFD	CX-NSZ510
0 S	POWER AMP	D	0187 87-A40-747-080	0E	ZENER,UZ5.1BSB	USM	CX-SNAJ310
S	POWER AMP	D	0188 87-A40-749-080	0E	ZENER,UZ5.6BSB	EZSFD	CX-NSZ315
0 S	POWER AMP	D	0188 87-A40-749-080	0E	ZENER,UZ5.6BSB	EZSFD	CX-NSZ310
0 S	POWER AMP	D	0188 87-A40-749-080	0E	ZENER,UZ5.6BSB	KSFD	CX-NSZ310
0 S	POWER AMP	D	0188 87-A40-749-080	0E	ZENER,UZ5.6BSB	LHSFD	CX-NSZ310
0 S	POWER AMP	D	0188 87-A40-749-080	0E	ZENER,UZ5.6BSB	LHSFD	CX-NSZ510
0 S	POWER AMP	D	0188 87-A40-749-080	0E	ZENER,UZ5.6BSB	USM	CX-SNAJ310
S	POWER AMP	D	0189 87-A40-270-080	0E	C-DIODE,MC2838	EZSFD	CX-NSZ315
0 S	POWER AMP	D	0189 87-A40-270-080	0E	C-DIODE,MC2838	EZSFD	CX-NSZ310
0 S	POWER AMP	D	0189 87-A40-270-080	0E	C-DIODE,MC2838	KSFD	CX-NSZ310
0 S	POWER AMP	D	0189 87-A40-270-080	0E	C-DIODE,MC2838	LHSFD	CX-NSZ310
0 S	POWER AMP	D	0189 87-A40-270-080	0E	C-DIODE,MC2838	LHSFD	CX-NSZ510
0 S	POWER AMP	D	0189 87-A40-270-080	0E	C-DIODE,MC2838	USM	CX-SNAJ310
S	POWER AMP	D	0190 87-A40-269-080	0E	C-DIODE,MC2836	EZSFD	CX-NSZ315
0 S	POWER AMP	D	0190 87-A40-269-080	0E	C-DIODE,MC2836	EZSFD	CX-NSZ310
0 S	POWER AMP	D	0190 87-A40-269-080	0E	C-DIODE,MC2836	KSFD	CX-NSZ310
0 S	POWER AMP	D	0190 87-A40-269-080	0E	C-DIODE,MC2836	LHSFD	CX-NSZ310
0 S	POWER AMP	D	0190 87-A40-269-080	0E	C-DIODE,MC2836	LHSFD	CX-NSZ510
0 S	POWER AMP	D	0190 87-A40-269-080	0E	C-DIODE,MC2836	USM	CX-SNAJ310
S	POWER AMP	D	0191 87-A40-764-080	0E	ZENER,UZ10BSC	EZSFD	CX-NSZ315
0 S	POWER AMP	D	0191 87-A40-764-080	0E	ZENER,UZ10BSC	EZSFD	CX-NSZ310
0 S	POWER AMP	D	0191 87-A40-764-080	0E	ZENER,UZ10BSC	KSFD	CX-NSZ310
0 S	POWER AMP	D	0191 87-A40-764-080	0E	ZENER,UZ10BSC	LHSFD	CX-NSZ310
0 S	POWER AMP	D	0191 87-A40-764-080	0E	ZENER,UZ10BSC	LHSFD	CX-NSZ510
0 S	POWER AMP	D	0191 87-A40-764-080	0E	ZENER,UZ10BSC	USM	CX-SNAJ310
S	POWER AMP	D	0192 87-A40-291-080	0E	DIODE,1N4148M (CPT)	EZSFD	CX-NSZ315
0 S	POWER AMP	D	0192 87-A40-291-080	0E	DIODE,1N4148M (CPT)	EZSFD	CX-NSZ310
0 S	POWER AMP	D	0192 87-A40-291-080	0E	DIODE,1N4148M (CPT)	KSFD	CX-NSZ310
0 S	POWER AMP	D	0192 87-A40-291-080	0E	DIODE,1N4148M (CPT)	LHSFD	CX-NSZ310
0 S	POWER AMP	D	0192 87-A40-291-080	0E	DIODE,1N4148M (CPT)	LHSFD	CX-NSZ510
0 S	POWER AMP	D	0192 87-A40-291-080	0E	DIODE,1N4148M (CPT)	USM	CX-SNAJ310
O	POWER AMP	J	0202 87-A60-488-010	1B	JACK,DIA6.3 BLK ST W/SW KM16AT	EZSFD	CX-NSZ315
0 O	POWER AMP	J	0202 87-A61-480-010	0E	JACK,DIA6.3 BLK ST W/SW MSC16A	EZSFD	CX-NSZ310
0 O	POWER AMP	J	0202 87-A61-480-010	0E	JACK,DIA6.3 BLK ST W/SW MSC16A	KSFD	CX-NSZ310
0 O	POWER AMP	J	0202 87-A61-480-010	0E	JACK,DIA6.3 BLK ST W/SW MSC16A	LHSFD	CX-NSZ310
0 O	POWER AMP	J	0202 87-A61-480-010	0E	JACK,DIA6.3 BLK ST W/SW MSC16A	LHSFD	CX-NSZ510
0 O	POWER AMP	J	0202 87-A61-480-010	0E	JACK,DIA6.3 BLK ST W/SW MSC16A	USM	CX-SNAJ310
!	O POWER AMP	J	0203 87-A60-238-010	1A	TERMINAL,SP 4P (MSC)	EZSFD	CX-NSZ315
0 O	POWER AMP	J	0203 87-A60-238-010	1A	TERMINAL,SP 4P (MSC)	EZSFD	CX-NSZ310
0 O	POWER AMP	J	0203 87-A60-238-010	1A	TERMINAL,SP 4P (MSC)	KSFD	CX-NSZ310
0 O	POWER AMP	J	0203 87-A60-238-010	1A	TERMINAL,SP 4P (MSC)	LHSFD	CX-NSZ310
0 O	POWER AMP	J	0203 87-A60-238-010	1A	TERMINAL,SP 4P (MSC)	LHSFD	CX-NSZ510

# PARTS LIST

! =  $\Delta$  SAFTY PARTS  
 C = Components marked

All components used on this model at the production line are shown in this service manual.

However, please note that not all components will be available as spare parts for after-sales service.

Components marked S and O are designated as spare parts for service and will be stocked at the spare parts centers.

Components marked X and R are not designated as spare parts for after sales service, and will not be stocked at the spare parts centers.

K NO. = Only use japanese.

! C	UNIT NAME	REF NO.	PARTS CODE	K NO.	DESCRIPTION	SUFFIX	MODEL NAME
0 O	POWER AMP	J 0203	87-A60-238-010	1A	TERMINAL, SP 4P (MSC)	USM	CX-SNAJ310
X	POWER AMP	JR 0101	88-108-000-080	0E	C-JUMPER, U	EZSFD	CX-NSZ315
0 X	POWER AMP	JR 0101	88-108-000-080	0E	C-JUMPER, U	EZSFD	CX-NSZ310
0 X	POWER AMP	JR 0101	88-108-000-080	0E	C-JUMPER, U	KSFD	CX-NSZ310
0 X	POWER AMP	JR 0101	88-108-000-080	0E	C-JUMPER, U	LHSFD	CX-NSZ310
0 X	POWER AMP	JR 0101	88-108-000-080	0E	C-JUMPER, U	LHSFD	CX-NSZ510
0 X	POWER AMP	JR 0101	88-108-000-080	0E	C-JUMPER, U	USM	CX-SNAJ310
X	POWER AMP	JR 0102	88-108-000-080	0E	C-JUMPER, U	EZSFD	CX-NSZ315
0 X	POWER AMP	JR 0102	88-108-000-080	0E	C-JUMPER, U	EZSFD	CX-NSZ310
0 X	POWER AMP	JR 0102	88-108-000-080	0E	C-JUMPER, U	KSFD	CX-NSZ310
0 X	POWER AMP	JR 0102	88-108-000-080	0E	C-JUMPER, U	LHSFD	CX-NSZ310
0 X	POWER AMP	JR 0102	88-108-000-080	0E	C-JUMPER, U	LHSFD	CX-NSZ510
0 X	POWER AMP	JR 0102	88-108-000-080	0E	C-JUMPER, U	USM	CX-SNAJ310
X	POWER AMP	JR 0103	88-108-000-080	0E	C-JUMPER, U	EZSFD	CX-NSZ315
0 X	POWER AMP	JR 0103	88-108-000-080	0E	C-JUMPER, U	EZSFD	CX-NSZ310
0 X	POWER AMP	JR 0103	88-108-000-080	0E	C-JUMPER, U	KSFD	CX-NSZ310
0 X	POWER AMP	JR 0103	88-108-000-080	0E	C-JUMPER, U	LHSFD	CX-NSZ310
0 X	POWER AMP	JR 0103	88-108-000-080	0E	C-JUMPER, U	LHSFD	CX-NSZ510
0 X	POWER AMP	JR 0103	88-108-000-080	0E	C-JUMPER, U	USM	CX-SNAJ310
X	POWER AMP	JR 0104	88-108-000-080	0E	C-JUMPER, U	EZSFD	CX-NSZ315
0 X	POWER AMP	JR 0104	88-108-000-080	0E	C-JUMPER, U	LHSFD	CX-NSZ310
0 X	POWER AMP	JR 0104	88-108-000-080	0E	C-JUMPER, U	LHSFD	CX-NSZ310
0 X	POWER AMP	JR 0104	88-108-000-080	0E	C-JUMPER, U	LHSFD	CX-NSZ510
0 X	POWER AMP	JR 0104	88-108-000-080	0E	C-JUMPER, U	USM	CX-SNAJ310
X	POWER AMP	JR 0105	88-128-273-080	0E	C-RES, 27K-1/8W J	EZSFD	CX-NSZ315
0 X	POWER AMP	JR 0105	88-128-273-080	0E	C-RES, 27K-1/8W J	EZSFD	CX-NSZ310
0 X	POWER AMP	JR 0105	88-128-273-080	0E	C-RES, 27K-1/8W J	KSFD	CX-NSZ310
0 X	POWER AMP	JR 0105	88-128-273-080	0E	C-RES, 27K-1/8W J	LHSFD	CX-NSZ310
0 X	POWER AMP	JR 0105	88-128-273-080	0E	C-RES, 27K-1/8W J	LHSFD	CX-NSZ510
0 X	POWER AMP	JR 0105	88-128-273-080	0E	C-RES, 27K-1/8W J	USM	CX-SNAJ310
X	POWER AMP	JR 0107	88-108-000-080	0E	C-JUMPER, U	EZSFD	CX-NSZ315
0 X	POWER AMP	JR 0107	88-108-000-080	0E	C-JUMPER, U	EZSFD	CX-NSZ310
0 X	POWER AMP	JR 0107	88-108-000-080	0E	C-JUMPER, U	KSFD	CX-NSZ310
0 X	POWER AMP	JR 0107	88-108-000-080	0E	C-JUMPER, U	LHSFD	CX-NSZ310
0 X	POWER AMP	JR 0107	88-108-000-080	0E	C-JUMPER, U	LHSFD	CX-NSZ510
0 X	POWER AMP	JR 0107	88-108-000-080	0E	C-JUMPER, U	USM	CX-SNAJ310
X	POWER AMP	JR 0109	88-108-000-080	0E	C-JUMPER, U	EZSFD	CX-NSZ315
0 X	POWER AMP	JR 0109	88-108-000-080	0E	C-JUMPER, U	EZSFD	CX-NSZ310
0 X	POWER AMP	JR 0109	88-108-000-080	0E	C-JUMPER, U	KSFD	CX-NSZ310
0 X	POWER AMP	JR 0109	88-108-000-080	0E	C-JUMPER, U	LHSFD	CX-NSZ310
0 X	POWER AMP	JR 0109	88-108-000-080	0E	C-JUMPER, U	LHSFD	CX-NSZ510
0 X	POWER AMP	JR 0109	88-108-000-080	0E	C-JUMPER, U	USM	CX-SNAJ310
X	POWER AMP	JR 0111	88-129-000-080	0E	C-JUMPER, 3216	EZSFD	CX-NSZ315
0 X	POWER AMP	JR 0111	88-129-000-080	0E	C-JUMPER, 3216	EZSFD	CX-NSZ310
0 X	POWER AMP	JR 0111	88-129-000-080	0E	C-JUMPER, 3216	KSFD	CX-NSZ310
0 X	POWER AMP	JR 0111	88-129-000-080	0E	C-JUMPER, 3216	LHSFD	CX-NSZ310
0 X	POWER AMP	JR 0111	88-129-000-080	0E	C-JUMPER, 3216	LHSFD	CX-NSZ510
0 X	POWER AMP	JR 0111	88-129-000-080	0E	C-JUMPER, 3216	USM	CX-SNAJ310
X	POWER AMP	JR 0113	88-108-000-080	0E	C-JUMPER, U	EZSFD	CX-NSZ315
0 X	POWER AMP	JR 0113	88-108-000-080	0E	C-JUMPER, U	EZSFD	CX-NSZ310
0 X	POWER AMP	JR 0113	88-108-000-080	0E	C-JUMPER, U	KSFD	CX-NSZ310
0 X	POWER AMP	JR 0113	88-108-000-080	0E	C-JUMPER, U	LHSFD	CX-NSZ310
0 X	POWER AMP	JR 0113	88-108-000-080	0E	C-JUMPER, U	LHSFD	CX-NSZ510
0 X	POWER AMP	JR 0113	88-108-000-080	0E	C-JUMPER, U	USM	CX-SNAJ310
X	POWER AMP	JR 0114	88-108-000-080	0E	C-JUMPER, U	EZSFD	CX-NSZ315
0 X	POWER AMP	JR 0114	88-108-000-080	0E	C-JUMPER, U	EZSFD	CX-NSZ310
0 X	POWER AMP	JR 0114	88-108-000-080	0E	C-JUMPER, U	KSFD	CX-NSZ310
0 X	POWER AMP	JR 0114	88-108-000-080	0E	C-JUMPER, U	LHSFD	CX-NSZ310
0 X	POWER AMP	JR 0114	88-108-000-080	0E	C-JUMPER, U	LHSFD	CX-NSZ510
0 X	POWER AMP	JR 0114	88-108-000-080	0E	C-JUMPER, U	USM	CX-SNAJ310
O	POWER AMP	JR 0123	87-012-195-080	0E	C-CAP, U 100P-50 J CH	EZSFD	CX-NSZ315
0 O	POWER AMP	JR 0123	87-012-195-080	0E	C-CAP, U 100P-50 J CH	EZSFD	CX-NSZ310
0 O	POWER AMP	JR 0123	87-012-195-080	0E	C-CAP, U 100P-50 J CH	KSFD	CX-NSZ310

# PARTS LIST

! =  $\Delta$  SAFTY PARTS  
C = Components marked

All components used on this model at the production line are shown in this service manual.

However, please note that not all components will be available as spare parts for after-sales service.

Components marked S and O are designated as spare parts for service and will be stocked at the spare parts centers.

Components marked X and R are not designated as spare parts for after sales service, and will not be stocked at the spare parts centers.

K NO. = Only use japanese.

! C	UNIT NAME	REF NO.	PARTS CODE	K NO.	DESCRIPTION	SUFFIX	MODEL NAME
0 O	POWER AMP	JR 0123	87-012-195-080	0E	C-CAP,U 100P-50 J CH	USM	CX-SNAJ310
0 O	POWER AMP	JR 0123	87-A10-596-080	0E	C-CAP,S 100P-100 J CH	LHSFD	CX-NSZ310
0 O	POWER AMP	JR 0123	87-A10-596-080	0E	C-CAP,S 100P-100 J CH	LHSFD	CX-NSZ510
0 O	POWER AMP	JR 0124	87-012-195-080	0E	C-CAP,U 100P-50 J CH	EZSFD	CX-NSZ315
0 O	POWER AMP	JR 0124	87-012-195-080	0E	C-CAP,U 100P-50 J CH	EZSFD	CX-NSZ310
0 O	POWER AMP	JR 0124	87-012-195-080	0E	C-CAP,U 100P-50 J CH	KSFD	CX-NSZ310
0 O	POWER AMP	JR 0124	87-012-195-080	0E	C-CAP,U 100P-50 J CH	USM	CX-SNAJ310
0 O	POWER AMP	JR 0124	87-A10-596-080	0E	C-CAP,S 100P-100 J CH	LHSFD	CX-NSZ310
0 O	POWER AMP	JR 0124	87-A10-596-080	0E	C-CAP,S 100P-100 J CH	LHSFD	CX-NSZ510
0 O	POWER AMP	L 0201	87-A50-610-010	0E	COIL,1UH K(MDEC)	EZSFD	CX-NSZ315
0 O	POWER AMP	L 0201	87-A50-610-010	0E	COIL,1UH K(MDEC)	EZSFD	CX-NSZ310
0 O	POWER AMP	L 0201	87-A50-610-010	0E	COIL,1UH K(MDEC)	KSFD	CX-NSZ310
0 O	POWER AMP	L 0201	87-A50-610-010	0E	COIL,1UH K(MDEC)	LHSFD	CX-NSZ310
0 O	POWER AMP	L 0201	87-A50-610-010	0E	COIL,1UH K(MDEC)	LHSFD	CX-NSZ510
0 O	POWER AMP	L 0201	87-A50-610-010	0E	COIL,1UH K(MDEC)	USM	CX-SNAJ310
0 O	POWER AMP	L 0202	87-A50-610-010	0E	COIL,1UH K(MDEC)	EZSFD	CX-NSZ315
0 O	POWER AMP	L 0202	87-A50-610-010	0E	COIL,1UH K(MDEC)	EZSFD	CX-NSZ310
0 O	POWER AMP	L 0202	87-A50-610-010	0E	COIL,1UH K(MDEC)	KSFD	CX-NSZ310
0 O	POWER AMP	L 0202	87-A50-610-010	0E	COIL,1UH K(MDEC)	LHSFD	CX-NSZ310
0 O	POWER AMP	L 0202	87-A50-610-010	0E	COIL,1UH K(MDEC)	LHSFD	CX-NSZ510
0 O	POWER AMP	L 0202	87-A50-610-010	0E	COIL,1UH K(MDEC)	USM	CX-SNAJ310
0 S	POWER AMP	Q 0103	87-A30-075-080	0E	C-TR,2SA1235F	EZSFD	CX-NSZ315
0 S	POWER AMP	Q 0103	87-A30-075-080	0E	C-TR,2SA1235F	EZSFD	CX-NSZ310
0 S	POWER AMP	Q 0103	87-A30-075-080	0E	C-TR,2SA1235F	KSFD	CX-NSZ310
0 S	POWER AMP	Q 0103	87-A30-107-070	0E	C-TR,CMBT5401	LHSFD	CX-NSZ310
0 S	POWER AMP	Q 0103	87-A30-107-070	0E	C-TR,CMBT5401	LHSFD	CX-NSZ510
0 S	POWER AMP	Q 0103	87-A30-107-070	0E	C-TR,CMBT5401	USM	CX-SNAJ310
0 S	POWER AMP	Q 0104	87-A30-075-080	0E	C-TR,2SA1235F	EZSFD	CX-NSZ315
0 S	POWER AMP	Q 0104	87-A30-075-080	0E	C-TR,2SA1235F	EZSFD	CX-NSZ310
0 S	POWER AMP	Q 0104	87-A30-075-080	0E	C-TR,2SA1235F	KSFD	CX-NSZ310
0 S	POWER AMP	Q 0104	87-A30-107-070	0E	C-TR,CMBT5401	LHSFD	CX-NSZ310
0 S	POWER AMP	Q 0104	87-A30-107-070	0E	C-TR,CMBT5401	LHSFD	CX-NSZ510
0 S	POWER AMP	Q 0104	87-A30-107-070	0E	C-TR,CMBT5401	USM	CX-SNAJ310
0 S	POWER AMP	Q 0105	87-A30-075-080	0E	C-TR,2SA1235F	EZSFD	CX-NSZ315
0 S	POWER AMP	Q 0105	87-A30-075-080	0E	C-TR,2SA1235F	EZSFD	CX-NSZ310
0 S	POWER AMP	Q 0105	87-A30-075-080	0E	C-TR,2SA1235F	KSFD	CX-NSZ310
0 S	POWER AMP	Q 0105	87-A30-107-070	0E	C-TR,CMBT5401	LHSFD	CX-NSZ310
0 S	POWER AMP	Q 0105	87-A30-107-070	0E	C-TR,CMBT5401	LHSFD	CX-NSZ510
0 S	POWER AMP	Q 0105	87-A30-107-070	0E	C-TR,CMBT5401	USM	CX-SNAJ310
0 S	POWER AMP	Q 0106	87-A30-075-080	0E	C-TR,2SA1235F	EZSFD	CX-NSZ315
0 S	POWER AMP	Q 0106	87-A30-075-080	0E	C-TR,2SA1235F	EZSFD	CX-NSZ310
0 S	POWER AMP	Q 0106	87-A30-107-070	0E	C-TR,CMBT5401	LHSFD	CX-NSZ310
0 S	POWER AMP	Q 0106	87-A30-107-070	0E	C-TR,CMBT5401	LHSFD	CX-NSZ510
0 S	POWER AMP	Q 0106	87-A30-107-070	0E	C-TR,CMBT5401	USM	CX-SNAJ310
0 S	POWER AMP	Q 0107	87-A30-076-080	0E	C-TR,2SC3052F	EZSFD	CX-NSZ315
0 S	POWER AMP	Q 0107	87-A30-076-080	0E	C-TR,2SC3052F	EZSFD	CX-NSZ310
0 S	POWER AMP	Q 0107	87-A30-076-080	0E	C-TR,2SC3052F	KSFD	CX-NSZ310
0 S	POWER AMP	Q 0107	87-A30-076-080	0E	C-TR,2SC3052F	LHSFD	CX-NSZ310
0 S	POWER AMP	Q 0107	87-A30-076-080	0E	C-TR,2SC3052F	LHSFD	CX-NSZ510
0 S	POWER AMP	Q 0107	87-A30-076-080	0E	C-TR,2SC3052F	USM	CX-SNAJ310
0 S	POWER AMP	Q 0108	87-A30-076-080	0E	C-TR,2SC3052F	EZSFD	CX-NSZ315
0 S	POWER AMP	Q 0108	87-A30-076-080	0E	C-TR,2SC3052F	EZSFD	CX-NSZ310
0 S	POWER AMP	Q 0108	87-A30-076-080	0E	C-TR,2SC3052F	KSFD	CX-NSZ310
0 S	POWER AMP	Q 0108	87-A30-076-080	0E	C-TR,2SC3052F	LHSFD	CX-NSZ310
0 S	POWER AMP	Q 0108	87-A30-076-080	0E	C-TR,2SC3052F	LHSFD	CX-NSZ510
0 S	POWER AMP	Q 0108	87-A30-076-080	0E	C-TR,2SC3052F	USM	CX-SNAJ310
0 S	POWER AMP	Q 0109	87-A30-076-080	0E	C-TR,2SC3052F	EZSFD	CX-NSZ315
0 S	POWER AMP	Q 0109	87-A30-076-080	0E	C-TR,2SC3052F	EZSFD	CX-NSZ310
0 S	POWER AMP	Q 0109	87-A30-076-080	0E	C-TR,2SC3052F	KSFD	CX-NSZ310
0 S	POWER AMP	Q 0109	87-A30-076-080	0E	C-TR,2SC3052F	LHSFD	CX-NSZ310
0 S	POWER AMP	Q 0109	87-A30-076-080	0E	C-TR,2SC3052F	LHSFD	CX-NSZ510
0 S	POWER AMP	Q 0109	87-A30-076-080	0E	C-TR,2SC3052F	USM	CX-SNAJ310
0 S	POWER AMP	Q 0110	87-A30-076-080	0E	C-TR,2SC3052F	EZSFD	CX-NSZ315
0 S	POWER AMP	Q 0110	87-A30-076-080	0E	C-TR,2SC3052F	EZSFD	CX-NSZ310
0 S	POWER AMP	Q 0110	87-A30-076-080	0E	C-TR,2SC3052F	KSFD	CX-NSZ310
0 S	POWER AMP	Q 0110	87-A30-076-080	0E	C-TR,2SC3052F	LHSFD	CX-NSZ310
0 S	POWER AMP	Q 0110	87-A30-076-080	0E	C-TR,2SC3052F	LHSFD	CX-NSZ510
0 S	POWER AMP	Q 0110	87-A30-076-080	0E	C-TR,2SC3052F	USM	CX-SNAJ310
0 S	POWER AMP	Q 0111	87-A30-190-080	0E	TR,CC5551	EZSFD	CX-NSZ315

# PARTS LIST

! =  $\Delta$  SAFTY PARTS  
 C = Components marked

All components used on this model at the production line are shown in this service manual.

However, please note that not all components will be available as spare parts for after-sales service.

Components marked S and O are designated as spare parts for service and will be stocked at the spare parts centers.

Components marked X and R are not designated as spare parts for after sales service, and will not be stocked at the spare parts centers.

K NO. = Only use japanese.

! C	UNIT NAME	REF NO.	PARTS CODE	K NO.	DESCRIPTION	SUFFIX	MODEL NAME
0 S	POWER AMP	Q	0111 87-A30-190-080	0E	TR,CC5551	EZSFD	CX-NSZ310
0 S	POWER AMP	Q	0111 87-A30-190-080	0E	TR,CC5551	KSFD	CX-NSZ310
0 S	POWER AMP	Q	0111 87-A30-190-080	0E	TR,CC5551	LHSFD	CX-NSZ310
0 S	POWER AMP	Q	0111 87-A30-190-080	0E	TR,CC5551	LHSFD	CX-NSZ510
0 S	POWER AMP	Q	0111 87-A30-190-080	0E	TR,CC5551	USM	CX-SNAJ310
0 S	POWER AMP	Q	0112 87-A30-190-080	0E	TR,CC5551	EZSFD	CX-NSZ315
0 S	POWER AMP	Q	0112 87-A30-190-080	0E	TR,CC5551	EZSFD	CX-NSZ310
0 S	POWER AMP	Q	0112 87-A30-190-080	0E	TR,CC5551	KSFD	CX-NSZ310
0 S	POWER AMP	Q	0112 87-A30-190-080	0E	TR,CC5551	LHSFD	CX-NSZ310
0 S	POWER AMP	Q	0112 87-A30-190-080	0E	TR,CC5551	LHSFD	CX-NSZ510
0 S	POWER AMP	Q	0112 87-A30-190-080	0E	TR,CC5551	USM	CX-SNAJ310
S	POWER AMP	Q	0113 87-A30-076-080	0E	C-TR,2SC3052F	EZSFD	CX-NSZ315
0 S	POWER AMP	Q	0113 87-A30-076-080	0E	C-TR,2SC3052F	EZSFD	CX-NSZ310
0 S	POWER AMP	Q	0113 87-A30-076-080	0E	C-TR,2SC3052F	KSFD	CX-NSZ310
0 S	POWER AMP	Q	0113 87-A30-076-080	0E	C-TR,2SC3052F	LHSFD	CX-NSZ310
0 S	POWER AMP	Q	0113 87-A30-076-080	0E	C-TR,2SC3052F	LHSFD	CX-NSZ510
0 S	POWER AMP	Q	0113 87-A30-076-080	0E	C-TR,2SC3052F	USM	CX-SNAJ310
S	POWER AMP	Q	0114 87-A30-076-080	0E	C-TR,2SC3052F	EZSFD	CX-NSZ315
0 S	POWER AMP	Q	0114 87-A30-076-080	0E	C-TR,2SC3052F	EZSFD	CX-NSZ310
0 S	POWER AMP	Q	0114 87-A30-076-080	0E	C-TR,2SC3052F	KSFD	CX-NSZ310
0 S	POWER AMP	Q	0114 87-A30-076-080	0E	C-TR,2SC3052F	LHSFD	CX-NSZ310
0 S	POWER AMP	Q	0114 87-A30-076-080	0E	C-TR,2SC3052F	LHSFD	CX-NSZ510
0 S	POWER AMP	Q	0114 87-A30-076-080	0E	C-TR,2SC3052F	USM	CX-SNAJ310
S	POWER AMP	Q	0115 87-A30-106-040	0E	C-TR,CMBT5551	EZSFD	CX-NSZ315
0 S	POWER AMP	Q	0115 87-A30-106-040	0E	C-TR,CMBT5551	EZSFD	CX-NSZ310
0 S	POWER AMP	Q	0115 87-A30-106-040	0E	C-TR,CMBT5551	KSFD	CX-NSZ310
0 S	POWER AMP	Q	0115 87-A30-106-040	0E	C-TR,CMBT5551	LHSFD	CX-NSZ310
0 S	POWER AMP	Q	0115 87-A30-106-040	0E	C-TR,CMBT5551	LHSFD	CX-NSZ510
0 S	POWER AMP	Q	0115 87-A30-106-040	0E	C-TR,CMBT5551	USM	CX-SNAJ310
S	POWER AMP	Q	0116 87-A30-106-040	0E	C-TR,CMBT5551	EZSFD	CX-NSZ315
0 S	POWER AMP	Q	0116 87-A30-106-040	0E	C-TR,CMBT5551	EZSFD	CX-NSZ310
0 S	POWER AMP	Q	0116 87-A30-106-040	0E	C-TR,CMBT5551	KSFD	CX-NSZ310
0 S	POWER AMP	Q	0116 87-A30-106-040	0E	C-TR,CMBT5551	LHSFD	CX-NSZ310
0 S	POWER AMP	Q	0116 87-A30-106-040	0E	C-TR,CMBT5551	LHSFD	CX-NSZ510
0 S	POWER AMP	Q	0116 87-A30-106-040	0E	C-TR,CMBT5551	USM	CX-SNAJ310
S	POWER AMP	Q	0117 87-A30-528-010	1B	TR,2SB1686	EZSFD	CX-NSZ315
0 S	POWER AMP	Q	0117 87-A30-528-010	1B	TR,2SB1686	EZSFD	CX-NSZ310
0 S	POWER AMP	Q	0117 87-A30-528-010	1B	TR,2SB1686	KSFD	CX-NSZ310
0 S	POWER AMP	Q	0117 87-A30-528-010	1B	TR,2SB1686	LHSFD	CX-NSZ310
0 S	POWER AMP	Q	0117 87-A30-528-010	1B	TR,2SB1686	LHSFD	CX-NSZ510
0 S	POWER AMP	Q	0117 87-A30-528-010	1B	TR,2SB1686	USM	CX-SNAJ310
S	POWER AMP	Q	0118 87-A30-528-010	1B	TR,2SB1686	EZSFD	CX-NSZ315
0 S	POWER AMP	Q	0118 87-A30-528-010	1B	TR,2SB1686	EZSFD	CX-NSZ310
0 S	POWER AMP	Q	0118 87-A30-528-010	1B	TR,2SB1686	KSFD	CX-NSZ310
0 S	POWER AMP	Q	0118 87-A30-528-010	1B	TR,2SB1686	LHSFD	CX-NSZ310
0 S	POWER AMP	Q	0118 87-A30-528-010	1B	TR,2SB1686	LHSFD	CX-NSZ510
0 S	POWER AMP	Q	0118 87-A30-528-010	1B	TR,2SB1686	USM	CX-SNAJ310
S	POWER AMP	Q	0119 87-A30-529-010	1B	TR,2SD2642	EZSFD	CX-NSZ315
0 S	POWER AMP	Q	0119 87-A30-529-010	1B	TR,2SD2642	EZSFD	CX-NSZ310
0 S	POWER AMP	Q	0119 87-A30-529-010	1B	TR,2SD2642	KSFD	CX-NSZ310
0 S	POWER AMP	Q	0119 87-A30-529-010	1B	TR,2SD2642	LHSFD	CX-NSZ310
0 S	POWER AMP	Q	0119 87-A30-529-010	1B	TR,2SD2642	LHSFD	CX-NSZ510
0 S	POWER AMP	Q	0119 87-A30-529-010	1B	TR,2SD2642	USM	CX-SNAJ310
S	POWER AMP	Q	0120 87-A30-529-010	1B	TR,2SD2642	EZSFD	CX-NSZ315
0 S	POWER AMP	Q	0120 87-A30-529-010	1B	TR,2SD2642	EZSFD	CX-NSZ310
0 S	POWER AMP	Q	0120 87-A30-529-010	1B	TR,2SD2642	KSFD	CX-NSZ310
0 S	POWER AMP	Q	0120 87-A30-529-010	1B	TR,2SD2642	LHSFD	CX-NSZ310
0 S	POWER AMP	Q	0120 87-A30-529-010	1B	TR,2SD2642	LHSFD	CX-NSZ510
0 S	POWER AMP	Q	0120 87-A30-529-010	1B	TR,2SD2642	USM	CX-SNAJ310
S	POWER AMP	Q	0121 87-A30-190-080	0E	TR,CC5551	EZSFD	CX-NSZ315
0 S	POWER AMP	Q	0121 87-A30-190-080	0E	TR,CC5551	EZSFD	CX-NSZ310
0 S	POWER AMP	Q	0121 87-A30-190-080	0E	TR,CC5551	KSFD	CX-NSZ310
0 S	POWER AMP	Q	0121 87-A30-190-080	0E	TR,CC5551	LHSFD	CX-NSZ310
0 S	POWER AMP	Q	0121 87-A30-190-080	0E	TR,CC5551	LHSFD	CX-NSZ510
0 S	POWER AMP	Q	0121 87-A30-190-080	0E	TR,CC5551	USM	CX-SNAJ310
S	POWER AMP	Q	0122 87-A30-190-080	0E	TR,CC5551	EZSFD	CX-NSZ315
0 S	POWER AMP	Q	0122 87-A30-190-080	0E	TR,CC5551	EZSFD	CX-NSZ310
0 S	POWER AMP	Q	0122 87-A30-190-080	0E	TR,CC5551	KSFD	CX-NSZ310
0 S	POWER AMP	Q	0122 87-A30-190-080	0E	TR,CC5551	LHSFD	CX-NSZ310
0 S	POWER AMP	Q	0122 87-A30-190-080	0E	TR,CC5551	LHSFD	CX-NSZ510



# PARTS LIST

! =  $\Delta$  SAFTY PARTS  
 C = Components marked

All components used on this model at the production line are shown in this service manual.

However, please note that not all components will be available as spare parts for after-sales service.

Components marked S and O are designated as spare parts for service and will be stocked at the spare parts centers.

Components marked X and R are not designated as spare parts for after sales service, and will not be stocked at the spare parts centers.

K NO. = Only use japanese.

! C	UNIT NAME	REF NO.	PARTS CODE	K NO.	DESCRIPTION	SUFFIX	MODEL NAME
0 S	POWER AMP	Q	0122 87-A30-190-080	0E	TR,CC5551	USM	CX-SNAJ310
0 S	POWER AMP	Q	0123 87-A30-107-070	0E	C-TR,CMBT5401	EZSFD	CX-NSZ315
0 S	POWER AMP	Q	0123 87-A30-107-070	0E	C-TR,CMBT5401	EZSFD	CX-NSZ310
0 S	POWER AMP	Q	0123 87-A30-107-070	0E	C-TR,CMBT5401	KSFD	CX-NSZ310
0 S	POWER AMP	Q	0123 87-A30-107-070	0E	C-TR,CMBT5401	LHSFD	CX-NSZ310
0 S	POWER AMP	Q	0123 87-A30-107-070	0E	C-TR,CMBT5401	LHSFD	CX-NSZ510
0 S	POWER AMP	Q	0123 87-A30-107-070	0E	C-TR,CMBT5401	USM	CX-SNAJ310
0 S	POWER AMP	Q	0124 87-A30-107-070	0E	C-TR,CMBT5401	EZSFD	CX-NSZ315
0 S	POWER AMP	Q	0124 87-A30-107-070	0E	C-TR,CMBT5401	EZSFD	CX-NSZ310
0 S	POWER AMP	Q	0124 87-A30-107-070	0E	C-TR,CMBT5401	KSFD	CX-NSZ310
0 S	POWER AMP	Q	0124 87-A30-107-070	0E	C-TR,CMBT5401	LHSFD	CX-NSZ310
0 S	POWER AMP	Q	0124 87-A30-107-070	0E	C-TR,CMBT5401	LHSFD	CX-NSZ510
0 S	POWER AMP	Q	0124 87-A30-107-070	0E	C-TR,CMBT5401	USM	CX-SNAJ310
0 S	POWER AMP	Q	0126 87-A30-107-070	0E	C-TR,CMBT5401	EZSFD	CX-NSZ315
0 S	POWER AMP	Q	0126 87-A30-107-070	0E	C-TR,CMBT5401	EZSFD	CX-NSZ310
0 S	POWER AMP	Q	0126 87-A30-107-070	0E	C-TR,CMBT5401	KSFD	CX-NSZ310
0 S	POWER AMP	Q	0126 87-A30-107-070	0E	C-TR,CMBT5401	LHSFD	CX-NSZ310
0 S	POWER AMP	Q	0126 87-A30-107-070	0E	C-TR,CMBT5401	LHSFD	CX-NSZ510
0 S	POWER AMP	Q	0126 87-A30-107-070	0E	C-TR,CMBT5401	USM	CX-SNAJ310
0 S	POWER AMP	Q	0127 87-A30-076-080	0E	C-TR,2SC3052F	EZSFD	CX-NSZ315
0 S	POWER AMP	Q	0127 87-A30-076-080	0E	C-TR,2SC3052F	EZSFD	CX-NSZ310
0 S	POWER AMP	Q	0127 87-A30-076-080	0E	C-TR,2SC3052F	KSFD	CX-NSZ310
0 S	POWER AMP	Q	0127 87-A30-076-080	0E	C-TR,2SC3052F	LHSFD	CX-NSZ310
0 S	POWER AMP	Q	0127 87-A30-076-080	0E	C-TR,2SC3052F	LHSFD	CX-NSZ510
0 S	POWER AMP	Q	0127 87-A30-076-080	0E	C-TR,2SC3052F	USM	CX-SNAJ310
0 S	POWER AMP	Q	0128 87-A30-076-080	0E	C-TR,2SC3052F	EZSFD	CX-NSZ315
0 S	POWER AMP	Q	0128 87-A30-076-080	0E	C-TR,2SC3052F	EZSFD	CX-NSZ310
0 S	POWER AMP	Q	0128 87-A30-076-080	0E	C-TR,2SC3052F	KSFD	CX-NSZ310
0 S	POWER AMP	Q	0128 87-A30-076-080	0E	C-TR,2SC3052F	LHSFD	CX-NSZ310
0 S	POWER AMP	Q	0128 87-A30-076-080	0E	C-TR,2SC3052F	LHSFD	CX-NSZ510
0 S	POWER AMP	Q	0128 87-A30-076-080	0E	C-TR,2SC3052F	USM	CX-SNAJ310
0 S	POWER AMP	Q	0130 87-A30-106-040	0E	C-TR,CMBT5551	EZSFD	CX-NSZ315
0 S	POWER AMP	Q	0130 87-A30-106-040	0E	C-TR,CMBT5551	EZSFD	CX-NSZ310
0 S	POWER AMP	Q	0130 87-A30-106-040	0E	C-TR,CMBT5551	KSFD	CX-NSZ310
0 S	POWER AMP	Q	0130 87-A30-106-040	0E	C-TR,CMBT5551	LHSFD	CX-NSZ310
0 S	POWER AMP	Q	0130 87-A30-106-040	0E	C-TR,CMBT5551	LHSFD	CX-NSZ510
0 S	POWER AMP	Q	0130 87-A30-106-040	0E	C-TR,CMBT5551	USM	CX-SNAJ310
0 S	POWER AMP	Q	0183 87-A30-162-010	1B	FET,2SK2937	EZSFD	CX-NSZ315
0 S	POWER AMP	Q	0183 87-A30-162-010	1B	FET,2SK2937	EZSFD	CX-NSZ310
0 S	POWER AMP	Q	0183 87-A30-162-010	1B	FET,2SK2937	KSFD	CX-NSZ310
0 S	POWER AMP	Q	0183 87-A30-162-010	1B	FET,2SK2937	LHSFD	CX-NSZ310
0 S	POWER AMP	Q	0183 87-A30-162-010	1B	FET,2SK2937	LHSFD	CX-NSZ510
0 S	POWER AMP	Q	0183 87-A30-162-010	1B	FET,2SK2937	USM	CX-SNAJ310
0 S	POWER AMP	Q	0184 87-A30-162-010	1B	FET,2SK2937	EZSFD	CX-NSZ315
0 S	POWER AMP	Q	0184 87-A30-162-010	1B	FET,2SK2937	EZSFD	CX-NSZ310
0 S	POWER AMP	Q	0184 87-A30-162-010	1B	FET,2SK2937	KSFD	CX-NSZ310
0 S	POWER AMP	Q	0184 87-A30-162-010	1B	FET,2SK2937	LHSFD	CX-NSZ310
0 S	POWER AMP	Q	0184 87-A30-162-010	1B	FET,2SK2937	LHSFD	CX-NSZ510
0 S	POWER AMP	Q	0184 87-A30-162-010	1B	FET,2SK2937	USM	CX-SNAJ310
0 S	POWER AMP	Q	0185 87-A30-076-080	0E	C-TR,2SC3052F	EZSFD	CX-NSZ315
0 S	POWER AMP	Q	0185 87-A30-076-080	0E	C-TR,2SC3052F	EZSFD	CX-NSZ310
0 S	POWER AMP	Q	0185 87-A30-076-080	0E	C-TR,2SC3052F	KSFD	CX-NSZ310
0 S	POWER AMP	Q	0185 87-A30-076-080	0E	C-TR,2SC3052F	LHSFD	CX-NSZ310
0 S	POWER AMP	Q	0185 87-A30-076-080	0E	C-TR,2SC3052F	LHSFD	CX-NSZ510
0 S	POWER AMP	Q	0185 87-A30-076-080	0E	C-TR,2SC3052F	USM	CX-SNAJ310
0 S	POWER AMP	Q	0186 87-A30-075-080	0E	C-TR,2SA1235F	EZSFD	CX-NSZ315
0 S	POWER AMP	Q	0186 87-A30-075-080	0E	C-TR,2SA1235F	EZSFD	CX-NSZ310
0 S	POWER AMP	Q	0186 87-A30-075-080	0E	C-TR,2SA1235F	KSFD	CX-NSZ310
0 S	POWER AMP	Q	0186 87-A30-075-080	0E	C-TR,2SA1235F	LHSFD	CX-NSZ310
0 S	POWER AMP	Q	0186 87-A30-075-080	0E	C-TR,2SA1235F	LHSFD	CX-NSZ510
0 S	POWER AMP	Q	0186 87-A30-075-080	0E	C-TR,2SA1235F	USM	CX-SNAJ310
0 S	POWER AMP	Q	0187 87-A30-075-080	0E	C-TR,2SA1235F	EZSFD	CX-NSZ315
0 S	POWER AMP	Q	0187 87-A30-075-080	0E	C-TR,2SA1235F	EZSFD	CX-NSZ310
0 S	POWER AMP	Q	0187 87-A30-075-080	0E	C-TR,2SA1235F	KSFD	CX-NSZ310
0 S	POWER AMP	Q	0187 87-A30-075-080	0E	C-TR,2SA1235F	LHSFD	CX-NSZ310
0 S	POWER AMP	Q	0187 87-A30-075-080	0E	C-TR,2SA1235F	LHSFD	CX-NSZ510
0 S	POWER AMP	Q	0187 87-A30-075-080	0E	C-TR,2SA1235F	USM	CX-SNAJ310
0 X	POWER AMP	R	0101 88-108-392-080	0E	C-RES,U 3.9K-1/16W J	LHSFD	CX-NSZ310
0 X	POWER AMP	R	0101 88-108-392-080	0E	C-RES,U 3.9K-1/16W J	LHSFD	CX-NSZ510
0 X	POWER AMP	R	0101 88-108-392-080	0E	C-RES,U 3.9K-1/16W J	USM	CX-SNAJ310

# PARTS LIST

! =  $\Delta$  SAFTY PARTS  
 C = Components marked

All components used on this model at the production line are shown in this service manual.

However, please note that not all components will be available as spare parts for after-sales service.

Components marked S and O are designated as spare parts for service and will be stocked at the spare parts centers.

Components marked X and R are not designated as spare parts for after sales service, and will not be stocked at the spare parts centers.

K NO. = Only use japanese.

! C	UNIT NAME	REF NO.	PARTS CODE	K NO.	DESCRIPTION	SUFFIX	MODEL NAME
	X POWER AMP	R 0101	88-108-472-080	0E	C-RES,U 4.7K-1/16W J	EZSFD	CX-NSZ315
0 X	POWER AMP	R 0101	88-108-472-080	0E	C-RES,U 4.7K-1/16W J	EZSFD	CX-NSZ310
0 X	POWER AMP	R 0101	88-108-472-080	0E	C-RES,U 4.7K-1/16W J	KSFD	CX-NSZ310
0 X	POWER AMP	R 0102	88-108-392-080	0E	C-RES,U 3.9K-1/16W J	LHSFD	CX-NSZ310
0 X	POWER AMP	R 0102	88-108-392-080	0E	C-RES,U 3.9K-1/16W J	LHSFD	CX-NSZ510
0 X	POWER AMP	R 0102	88-108-392-080	0E	C-RES,U 3.9K-1/16W J	USM	CX-SNAJ310
X	POWER AMP	R 0102	88-108-472-080	0E	C-RES,U 4.7K-1/16W J	EZSFD	CX-NSZ315
0 X	POWER AMP	R 0102	88-108-472-080	0E	C-RES,U 4.7K-1/16W J	EZSFD	CX-NSZ310
0 X	POWER AMP	R 0102	88-108-472-080	0E	C-RES,U 4.7K-1/16W J	KSFD	CX-NSZ310
X	POWER AMP	R 0103	88-108-103-080	0E	C-RES,U 10K-1/16W J	EZSFD	CX-NSZ315
0 X	POWER AMP	R 0103	88-108-103-080	0E	C-RES,U 10K-1/16W J	EZSFD	CX-NSZ310
0 X	POWER AMP	R 0103	88-108-103-080	0E	C-RES,U 10K-1/16W J	KSFD	CX-NSZ310
0 X	POWER AMP	R 0103	88-108-123-080	0E	C-RES,U 12K-1/16W J	LHSFD	CX-NSZ510
0 X	POWER AMP	R 0103	88-108-393-080	0E	C-RES,U 39K-1/16W J	USM	CX-SNAJ310
0 X	POWER AMP	R 0103	88-108-683-080	0E	C-RES,U 68K-1/16W J	LHSFD	CX-NSZ310
X	POWER AMP	R 0104	88-108-103-080	0E	C-RES,U 10K-1/16W J	EZSFD	CX-NSZ315
0 X	POWER AMP	R 0104	88-108-103-080	0E	C-RES,U 10K-1/16W J	EZSFD	CX-NSZ310
0 X	POWER AMP	R 0104	88-108-103-080	0E	C-RES,U 10K-1/16W J	KSFD	CX-NSZ310
0 X	POWER AMP	R 0104	88-108-123-080	0E	C-RES,U 12K-1/16W J	LHSFD	CX-NSZ510
0 X	POWER AMP	R 0104	88-108-393-080	0E	C-RES,U 39K-1/16W J	USM	CX-SNAJ310
0 X	POWER AMP	R 0104	88-108-683-080	0E	C-RES,U 68K-1/16W J	LHSFD	CX-NSZ310
X	POWER AMP	R 0105	88-108-273-080	0E	C-RES,U 27K-1/16W J	EZSFD	CX-NSZ315
0 X	POWER AMP	R 0105	88-108-273-080	0E	C-RES,U 27K-1/16W J	EZSFD	CX-NSZ310
0 X	POWER AMP	R 0105	88-108-273-080	0E	C-RES,U 27K-1/16W J	KSFD	CX-NSZ310
0 X	POWER AMP	R 0105	88-108-273-080	0E	C-RES,U 27K-1/16W J	LHSFD	CX-NSZ310
0 X	POWER AMP	R 0105	88-108-273-080	0E	C-RES,U 27K-1/16W J	LHSFD	CX-NSZ510
0 X	POWER AMP	R 0105	88-108-273-080	0E	C-RES,U 27K-1/16W J	USM	CX-SNAJ310
X	POWER AMP	R 0106	88-108-273-080	0E	C-RES,U 27K-1/16W J	EZSFD	CX-NSZ315
0 X	POWER AMP	R 0106	88-108-273-080	0E	C-RES,U 27K-1/16W J	EZSFD	CX-NSZ310
0 X	POWER AMP	R 0106	88-108-273-080	0E	C-RES,U 27K-1/16W J	KSFD	CX-NSZ310
0 X	POWER AMP	R 0106	88-108-273-080	0E	C-RES,U 27K-1/16W J	LHSFD	CX-NSZ310
0 X	POWER AMP	R 0106	88-108-273-080	0E	C-RES,U 27K-1/16W J	LHSFD	CX-NSZ510
0 X	POWER AMP	R 0106	88-108-273-080	0E	C-RES,U 27K-1/16W J	USM	CX-SNAJ310
X	POWER AMP	R 0108	88-108-101-080	0E	C-RES,U 100-1/16W J	EZSFD	CX-NSZ315
0 X	POWER AMP	R 0107	88-108-101-080	0E	C-RES,U 100-1/16W J	EZSFD	CX-NSZ310
0 X	POWER AMP	R 0107	88-108-101-080	0E	C-RES,U 100-1/16W J	KSFD	CX-NSZ310
0 X	POWER AMP	R 0107	88-108-101-080	0E	C-RES,U 100-1/16W J	LHSFD	CX-NSZ310
0 X	POWER AMP	R 0107	88-108-101-080	0E	C-RES,U 100-1/16W J	LHSFD	CX-NSZ510
0 X	POWER AMP	R 0107	88-108-101-080	0E	C-RES,U 100-1/16W J	USM	CX-SNAJ310
X	POWER AMP	R 0108	88-108-101-080	0E	C-RES,U 100-1/16W J	EZSFD	CX-NSZ315
0 X	POWER AMP	R 0108	88-108-101-080	0E	C-RES,U 100-1/16W J	EZSFD	CX-NSZ310
0 X	POWER AMP	R 0108	88-108-101-080	0E	C-RES,U 100-1/16W J	KSFD	CX-NSZ310
0 X	POWER AMP	R 0108	88-108-101-080	0E	C-RES,U 100-1/16W J	LHSFD	CX-NSZ310
0 X	POWER AMP	R 0108	88-108-101-080	0E	C-RES,U 100-1/16W J	LHSFD	CX-NSZ510
0 X	POWER AMP	R 0108	88-108-101-080	0E	C-RES,U 100-1/16W J	USM	CX-SNAJ310
X	POWER AMP	R 0109	88-108-472-080	0E	C-RES,U 4.7K-1/16W J	EZSFD	CX-NSZ315
0 X	POWER AMP	R 0109	88-108-472-080	0E	C-RES,U 4.7K-1/16W J	EZSFD	CX-NSZ310
0 X	POWER AMP	R 0109	88-108-472-080	0E	C-RES,U 4.7K-1/16W J	KSFD	CX-NSZ310
0 X	POWER AMP	R 0109	88-108-472-080	0E	C-RES,U 4.7K-1/16W J	LHSFD	CX-NSZ310
0 X	POWER AMP	R 0109	88-108-472-080	0E	C-RES,U 4.7K-1/16W J	LHSFD	CX-NSZ510
0 X	POWER AMP	R 0109	88-108-472-080	0E	C-RES,U 4.7K-1/16W J	USM	CX-SNAJ310
X	POWER AMP	R 0110	88-108-472-080	0E	C-RES,U 4.7K-1/16W J	EZSFD	CX-NSZ315
0 X	POWER AMP	R 0110	88-108-472-080	0E	C-RES,U 4.7K-1/16W J	EZSFD	CX-NSZ310
0 X	POWER AMP	R 0110	88-108-472-080	0E	C-RES,U 4.7K-1/16W J	KSFD	CX-NSZ310
0 X	POWER AMP	R 0110	88-108-472-080	0E	C-RES,U 4.7K-1/16W J	LHSFD	CX-NSZ310
0 X	POWER AMP	R 0110	88-108-472-080	0E	C-RES,U 4.7K-1/16W J	LHSFD	CX-NSZ510
0 X	POWER AMP	R 0110	88-108-472-080	0E	C-RES,U 4.7K-1/16W J	USM	CX-SNAJ310
X	POWER AMP	R 0111	88-118-102-080	0E	C-RES,S 1K-1/10W J	EZSFD	CX-NSZ315
0 X	POWER AMP	R 0111	88-118-102-080	0E	C-RES,S 1K-1/10W J	EZSFD	CX-NSZ310
0 X	POWER AMP	R 0111	88-118-102-080	0E	C-RES,S 1K-1/10W J	KSFD	CX-NSZ310
0 X	POWER AMP	R 0111	88-118-102-080	0E	C-RES,S 1K-1/10W J	LHSFD	CX-NSZ310
0 X	POWER AMP	R 0111	88-118-102-080	0E	C-RES,S 1K-1/10W J	LHSFD	CX-NSZ510
0 X	POWER AMP	R 0111	88-118-102-080	0E	C-RES,S 1K-1/10W J	USM	CX-SNAJ310
X	POWER AMP	R 0112	88-118-102-080	0E	C-RES,S 1K-1/10W J	EZSFD	CX-NSZ315
0 X	POWER AMP	R 0112	88-118-102-080	0E	C-RES,S 1K-1/10W J	EZSFD	CX-NSZ310
0 X	POWER AMP	R 0112	88-118-102-080	0E	C-RES,S 1K-1/10W J	KSFD	CX-NSZ310
0 X	POWER AMP	R 0112	88-118-102-080	0E	C-RES,S 1K-1/10W J	LHSFD	CX-NSZ310
0 X	POWER AMP	R 0112	88-118-102-080	0E	C-RES,S 1K-1/10W J	LHSFD	CX-NSZ510
0 X	POWER AMP	R 0112	88-118-102-080	0E	C-RES,S 1K-1/10W J	USM	CX-SNAJ310
X	POWER AMP	R 0113	88-118-273-080	0E	C-RES,S 27K-1/10W J	EZSFD	CX-NSZ315

# PARTS LIST

! =  $\Delta$  SAFTY PARTS  
 C = Components marked

All components used on this model at the production line are shown in this service manual.

However, please note that not all components will be available as spare parts for after-sales service.

Components marked S and O are designated as spare parts for service and will be stocked at the spare parts centers.

Components marked X and R are not designated as spare parts for after sales service, and will not be stocked at the spare parts centers.

K NO. = Only use japanese.

! C	UNIT NAME	REF NO.	PARTS CODE	K NO.	DESCRIPTION	SUFFIX	MODEL NAME
0 X	POWER AMP	R 0113	88-118-273-080	0E	C-RES,S 27K-1/10W J	EZSFD	CX-NSZ310
0 X	POWER AMP	R 0113	88-118-273-080	0E	C-RES,S 27K-1/10W J	KSFD	CX-NSZ310
0 X	POWER AMP	R 0113	88-118-273-080	0E	C-RES,S 27K-1/10W J	LHSFD	CX-NSZ310
0 X	POWER AMP	R 0113	88-118-273-080	0E	C-RES,S 27K-1/10W J	LHSFD	CX-NSZ510
0 X	POWER AMP	R 0113	88-118-273-080	0E	C-RES,S 27K-1/10W J	USM	CX-SNAJ310
X	POWER AMP	R 0114	88-118-273-080	0E	C-RES,S 27K-1/10W J	EZSFD	CX-NSZ315
0 X	POWER AMP	R 0114	88-118-273-080	0E	C-RES,S 27K-1/10W J	EZSFD	CX-NSZ310
0 X	POWER AMP	R 0114	88-118-273-080	0E	C-RES,S 27K-1/10W J	KSFD	CX-NSZ310
0 X	POWER AMP	R 0114	88-118-273-080	0E	C-RES,S 27K-1/10W J	LHSFD	CX-NSZ310
0 X	POWER AMP	R 0114	88-118-273-080	0E	C-RES,S 27K-1/10W J	LHSFD	CX-NSZ510
0 X	POWER AMP	R 0114	88-118-273-080	0E	C-RES,S 27K-1/10W J	USM	CX-SNAJ310
X	POWER AMP	R 0115	88-128-222-080	0E	C-RES, 2.2K-1/8W J	EZSFD	CX-NSZ315
0 X	POWER AMP	R 0115	88-128-222-080	0E	C-RES, 2.2K-1/8W J	EZSFD	CX-NSZ310
0 X	POWER AMP	R 0115	88-128-222-080	0E	C-RES, 2.2K-1/8W J	KSFD	CX-NSZ310
0 X	POWER AMP	R 0115	88-128-222-080	0E	C-RES, 2.2K-1/8W J	LHSFD	CX-NSZ310
0 X	POWER AMP	R 0115	88-128-222-080	0E	C-RES, 2.2K-1/8W J	LHSFD	CX-NSZ510
0 X	POWER AMP	R 0115	88-128-222-080	0E	C-RES, 2.2K-1/8W J	USM	CX-SNAJ310
X	POWER AMP	R 0116	88-128-222-080	0E	C-RES, 2.2K-1/8W J	EZSFD	CX-NSZ315
0 X	POWER AMP	R 0116	88-128-222-080	0E	C-RES, 2.2K-1/8W J	EZSFD	CX-NSZ310
0 X	POWER AMP	R 0116	88-128-222-080	0E	C-RES, 2.2K-1/8W J	KSFD	CX-NSZ310
0 X	POWER AMP	R 0116	88-128-222-080	0E	C-RES, 2.2K-1/8W J	LHSFD	CX-NSZ310
0 X	POWER AMP	R 0116	88-128-222-080	0E	C-RES, 2.2K-1/8W J	LHSFD	CX-NSZ510
0 X	POWER AMP	R 0116	88-128-222-080	0E	C-RES, 2.2K-1/8W J	USM	CX-SNAJ310
X	POWER AMP	R 0117	88-108-103-080	0E	C-RES,U 10K-1/16W J	EZSFD	CX-NSZ315
0 X	POWER AMP	R 0117	88-108-103-080	0E	C-RES,U 10K-1/16W J	EZSFD	CX-NSZ310
0 X	POWER AMP	R 0117	88-108-103-080	0E	C-RES,U 10K-1/16W J	KSFD	CX-NSZ310
0 X	POWER AMP	R 0117	88-108-103-080	0E	C-RES,U 10K-1/16W J	LHSFD	CX-NSZ310
0 X	POWER AMP	R 0117	88-108-103-080	0E	C-RES,U 10K-1/16W J	LHSFD	CX-NSZ510
0 X	POWER AMP	R 0117	88-108-103-080	0E	C-RES,U 10K-1/16W J	USM	CX-SNAJ310
X	POWER AMP	R 0118	88-108-103-080	0E	C-RES,U 10K-1/16W J	EZSFD	CX-NSZ315
0 X	POWER AMP	R 0118	88-108-103-080	0E	C-RES,U 10K-1/16W J	EZSFD	CX-NSZ310
0 X	POWER AMP	R 0118	88-108-103-080	0E	C-RES,U 10K-1/16W J	KSFD	CX-NSZ310
0 X	POWER AMP	R 0118	88-108-103-080	0E	C-RES,U 10K-1/16W J	LHSFD	CX-NSZ310
0 X	POWER AMP	R 0118	88-108-103-080	0E	C-RES,U 10K-1/16W J	LHSFD	CX-NSZ510
0 X	POWER AMP	R 0118	88-108-103-080	0E	C-RES,U 10K-1/16W J	USM	CX-SNAJ310
X	POWER AMP	R 0119	88-118-101-080	0E	C-RES,S 100-1/10W J	EZSFD	CX-NSZ315
0 X	POWER AMP	R 0119	88-118-101-080	0E	C-RES,S 100-1/10W J	EZSFD	CX-NSZ310
0 X	POWER AMP	R 0119	88-118-101-080	0E	C-RES,S 100-1/10W J	KSFD	CX-NSZ310
0 X	POWER AMP	R 0119	88-118-101-080	0E	C-RES,S 100-1/10W J	LHSFD	CX-NSZ310
0 X	POWER AMP	R 0119	88-118-101-080	0E	C-RES,S 100-1/10W J	LHSFD	CX-NSZ510
0 X	POWER AMP	R 0119	88-118-101-080	0E	C-RES,S 100-1/10W J	USM	CX-SNAJ310
X	POWER AMP	R 0120	88-118-101-080	0E	C-RES,S 100-1/10W J	EZSFD	CX-NSZ315
0 X	POWER AMP	R 0120	88-118-101-080	0E	C-RES,S 100-1/10W J	EZSFD	CX-NSZ310
0 X	POWER AMP	R 0120	88-118-101-080	0E	C-RES,S 100-1/10W J	KSFD	CX-NSZ310
0 X	POWER AMP	R 0120	88-118-101-080	0E	C-RES,S 100-1/10W J	LHSFD	CX-NSZ310
0 X	POWER AMP	R 0120	88-118-101-080	0E	C-RES,S 100-1/10W J	LHSFD	CX-NSZ510
0 X	POWER AMP	R 0120	88-118-101-080	0E	C-RES,S 100-1/10W J	USM	CX-SNAJ310
X	POWER AMP	R 0121	88-118-101-080	0E	C-RES,S 100-1/10W J	EZSFD	CX-NSZ315
0 X	POWER AMP	R 0121	88-118-101-080	0E	C-RES,S 100-1/10W J	EZSFD	CX-NSZ310
0 X	POWER AMP	R 0121	88-118-101-080	0E	C-RES,S 100-1/10W J	KSFD	CX-NSZ310
0 X	POWER AMP	R 0121	88-118-101-080	0E	C-RES,S 100-1/10W J	LHSFD	CX-NSZ310
0 X	POWER AMP	R 0121	88-118-101-080	0E	C-RES,S 100-1/10W J	LHSFD	CX-NSZ510
0 X	POWER AMP	R 0121	88-118-101-080	0E	C-RES,S 100-1/10W J	USM	CX-SNAJ310
X	POWER AMP	R 0122	88-118-101-080	0E	C-RES,S 100-1/10W J	EZSFD	CX-NSZ315
0 X	POWER AMP	R 0122	88-118-101-080	0E	C-RES,S 100-1/10W J	EZSFD	CX-NSZ310
0 X	POWER AMP	R 0122	88-118-101-080	0E	C-RES,S 100-1/10W J	KSFD	CX-NSZ310
0 X	POWER AMP	R 0122	88-118-101-080	0E	C-RES,S 100-1/10W J	LHSFD	CX-NSZ310
0 X	POWER AMP	R 0122	88-118-101-080	0E	C-RES,S 100-1/10W J	LHSFD	CX-NSZ510
0 X	POWER AMP	R 0122	88-118-101-080	0E	C-RES,S 100-1/10W J	USM	CX-SNAJ310
X	POWER AMP	R 0123	88-128-222-080	0E	C-RES, 2.2K-1/8W J	EZSFD	CX-NSZ315
0 X	POWER AMP	R 0123	88-128-222-080	0E	C-RES, 2.2K-1/8W J	EZSFD	CX-NSZ310
0 X	POWER AMP	R 0123	88-128-222-080	0E	C-RES, 2.2K-1/8W J	KSFD	CX-NSZ310
0 X	POWER AMP	R 0123	88-128-222-080	0E	C-RES, 2.2K-1/8W J	LHSFD	CX-NSZ310
0 X	POWER AMP	R 0123	88-128-222-080	0E	C-RES, 2.2K-1/8W J	LHSFD	CX-NSZ510
0 X	POWER AMP	R 0123	88-128-222-080	0E	C-RES, 2.2K-1/8W J	USM	CX-SNAJ310
X	POWER AMP	R 0124	88-128-222-080	0E	C-RES, 2.2K-1/8W J	EZSFD	CX-NSZ315
0 X	POWER AMP	R 0124	88-128-222-080	0E	C-RES, 2.2K-1/8W J	EZSFD	CX-NSZ310
0 X	POWER AMP	R 0124	88-128-222-080	0E	C-RES, 2.2K-1/8W J	KSFD	CX-NSZ310
0 X	POWER AMP	R 0124	88-128-222-080	0E	C-RES, 2.2K-1/8W J	LHSFD	CX-NSZ310
0 X	POWER AMP	R 0124	88-128-222-080	0E	C-RES, 2.2K-1/8W J	LHSFD	CX-NSZ510

# PARTS LIST

! =  $\Delta$  SAFTY PARTS  
 C = Components marked

All components used on this model at the production line are shown in this service manual.

However, please note that not all components will be available as spare parts for after-sales service.

Components marked S and O are designated as spare parts for service and will be stocked at the spare parts centers.

Components marked X and R are not designated as spare parts for after sales service, and will not be stocked at the spare parts centers.

K NO. = Only use japanese.

! C	UNIT NAME	REF NO.	PARTS CODE	K NO.	DESCRIPTION	SUFFIX	MODEL NAME
0 X	POWER AMP	R 0124	88-128-222-080	0E	C-RES, 2.2K-1/8W J	USM	CX-SNAJ310
X	POWER AMP	R 0125	88-128-102-080	0E	C-RES, 1K-1/8W J	EZSFD	CX-NSZ315
0 X	POWER AMP	R 0125	88-128-102-080	0E	C-RES, 1K-1/8W J	EZSFD	CX-NSZ310
0 X	POWER AMP	R 0125	88-128-102-080	0E	C-RES, 1K-1/8W J	KSFD	CX-NSZ310
0 X	POWER AMP	R 0125	88-128-102-080	0E	C-RES, 1K-1/8W J	LHSFD	CX-NSZ310
0 X	POWER AMP	R 0125	88-128-102-080	0E	C-RES, 1K-1/8W J	LHSFD	CX-NSZ510
0 X	POWER AMP	R 0125	88-128-102-080	0E	C-RES, 1K-1/8W J	USM	CX-SNAJ310
X	POWER AMP	R 0126	88-128-102-080	0E	C-RES, 1K-1/8W J	EZSFD	CX-NSZ315
0 X	POWER AMP	R 0126	88-128-102-080	0E	C-RES, 1K-1/8W J	EZSFD	CX-NSZ310
0 X	POWER AMP	R 0126	88-128-102-080	0E	C-RES, 1K-1/8W J	KSFD	CX-NSZ310
0 X	POWER AMP	R 0126	88-128-102-080	0E	C-RES, 1K-1/8W J	LHSFD	CX-NSZ310
0 X	POWER AMP	R 0126	88-128-102-080	0E	C-RES, 1K-1/8W J	LHSFD	CX-NSZ510
0 X	POWER AMP	R 0126	88-128-102-080	0E	C-RES, 1K-1/8W J	USM	CX-SNAJ310
X	POWER AMP	R 0126	88-128-102-080	0E	C-RES, 1K-1/8W J	EZSFD	CX-NSZ315
0 X	POWER AMP	R 0126	88-128-102-080	0E	C-RES, 1K-1/8W J	LHSFD	CX-NSZ310
0 X	POWER AMP	R 0126	88-128-102-080	0E	C-RES, 1K-1/8W J	LHSFD	CX-NSZ510
0 X	POWER AMP	R 0127	88-118-390-080	0E	C-RES, S 39-1/10W J	EZSFD	CX-NSZ315
0 X	POWER AMP	R 0127	88-118-390-080	0E	C-RES, S 39-1/10W J	EZSFD	CX-NSZ310
0 X	POWER AMP	R 0127	88-118-390-080	0E	C-RES, S 39-1/10W J	KSFD	CX-NSZ310
0 X	POWER AMP	R 0127	88-118-390-080	0E	C-RES, S 39-1/10W J	LHSFD	CX-NSZ310
0 X	POWER AMP	R 0127	88-118-390-080	0E	C-RES, S 39-1/10W J	LHSFD	CX-NSZ510
0 X	POWER AMP	R 0127	88-118-390-080	0E	C-RES, S 39-1/10W J	USM	CX-SNAJ310
X	POWER AMP	R 0128	88-118-390-080	0E	C-RES, S 39-1/10W J	EZSFD	CX-NSZ315
0 X	POWER AMP	R 0128	88-118-390-080	0E	C-RES, S 39-1/10W J	EZSFD	CX-NSZ310
0 X	POWER AMP	R 0128	88-118-390-080	0E	C-RES, S 39-1/10W J	KSFD	CX-NSZ310
0 X	POWER AMP	R 0128	88-118-390-080	0E	C-RES, S 39-1/10W J	LHSFD	CX-NSZ310
0 X	POWER AMP	R 0128	88-118-390-080	0E	C-RES, S 39-1/10W J	LHSFD	CX-NSZ510
0 O	POWER AMP	R 0129	87-A00-257-080	0E	RES, M/F 0.15-1W J	USM	CX-SNAJ310
0 O	POWER AMP	R 0129	87-A00-258-080	0E	RES, M/F 0.22-1W J	EZSFD	CX-NSZ315
0 O	POWER AMP	R 0129	87-A00-258-080	0E	RES, M/F 0.22-1W J	EZSFD	CX-NSZ310
0 O	POWER AMP	R 0129	87-A00-258-080	0E	RES, M/F 0.22-1W J	KSFD	CX-NSZ310
0 O	POWER AMP	R 0129	87-A00-262-080	0E	RES, M/F 0.15-2W J	LHSFD	CX-NSZ310
0 O	POWER AMP	R 0129	87-A00-262-080	0E	RES, M/F 0.15-2W J	LHSFD	CX-NSZ510
0 O	POWER AMP	R 0130	87-A00-257-080	0E	RES, M/F 0.15-1W J	USM	CX-SNAJ310
0 O	POWER AMP	R 0130	87-A00-258-080	0E	RES, M/F 0.22-1W J	EZSFD	CX-NSZ315
0 O	POWER AMP	R 0130	87-A00-258-080	0E	RES, M/F 0.22-1W J	EZSFD	CX-NSZ310
0 O	POWER AMP	R 0130	87-A00-258-080	0E	RES, M/F 0.22-1W J	KSFD	CX-NSZ310
0 O	POWER AMP	R 0130	87-A00-258-080	0E	RES, M/F 0.22-1W J	KSFD	CX-NSZ310
0 O	POWER AMP	R 0130	87-A00-262-080	0E	RES, M/F 0.15-2W J	LHSFD	CX-NSZ310
0 O	POWER AMP	R 0130	87-A00-262-080	0E	RES, M/F 0.15-2W J	LHSFD	CX-NSZ510
0 O	POWER AMP	R 0131	87-A00-257-080	0E	RES, M/F 0.15-1W J	USM	CX-SNAJ310
0 O	POWER AMP	R 0131	87-A00-258-080	0E	RES, M/F 0.22-1W J	EZSFD	CX-NSZ315
0 O	POWER AMP	R 0131	87-A00-258-080	0E	RES, M/F 0.22-1W J	EZSFD	CX-NSZ310
0 O	POWER AMP	R 0131	87-A00-258-080	0E	RES, M/F 0.22-1W J	KSFD	CX-NSZ310
0 O	POWER AMP	R 0131	87-A00-262-080	0E	RES, M/F 0.15-2W J	LHSFD	CX-NSZ310
0 O	POWER AMP	R 0131	87-A00-262-080	0E	RES, M/F 0.15-2W J	LHSFD	CX-NSZ510
0 O	POWER AMP	R 0132	87-A00-257-080	0E	RES, M/F 0.15-1W J	USM	CX-SNAJ310
0 O	POWER AMP	R 0132	87-A00-258-080	0E	RES, M/F 0.22-1W J	EZSFD	CX-NSZ315
0 O	POWER AMP	R 0132	87-A00-258-080	0E	RES, M/F 0.22-1W J	EZSFD	CX-NSZ310
0 O	POWER AMP	R 0132	87-A00-258-080	0E	RES, M/F 0.22-1W J	KSFD	CX-NSZ310
0 O	POWER AMP	R 0132	87-A00-262-080	0E	RES, M/F 0.15-2W J	LHSFD	CX-NSZ310
0 O	POWER AMP	R 0132	87-A00-262-080	0E	RES, M/F 0.15-2W J	LHSFD	CX-NSZ510
X	POWER AMP	R 0133	88-108-332-080	0E	C-RES, U 3.3K-1/16W J	EZSFD	CX-NSZ315
0 X	POWER AMP	R 0133	88-108-332-080	0E	C-RES, U 3.3K-1/16W J	EZSFD	CX-NSZ310
0 X	POWER AMP	R 0133	88-108-332-080	0E	C-RES, U 3.3K-1/16W J	KSFD	CX-NSZ310
0 X	POWER AMP	R 0133	88-108-472-080	0E	C-RES, U 4.7K-1/16W J	LHSFD	CX-NSZ310
0 X	POWER AMP	R 0133	88-108-472-080	0E	C-RES, U 4.7K-1/16W J	LHSFD	CX-NSZ510
0 X	POWER AMP	R 0133	88-108-472-080	0E	C-RES, U 4.7K-1/16W J	USM	CX-SNAJ310
X	POWER AMP	R 0134	88-108-332-080	0E	C-RES, U 3.3K-1/16W J	EZSFD	CX-NSZ315
0 X	POWER AMP	R 0134	88-108-332-080	0E	C-RES, U 3.3K-1/16W J	EZSFD	CX-NSZ310
0 X	POWER AMP	R 0134	88-108-332-080	0E	C-RES, U 3.3K-1/16W J	KSFD	CX-NSZ310
0 X	POWER AMP	R 0134	88-108-472-080	0E	C-RES, U 4.7K-1/16W J	LHSFD	CX-NSZ310
0 X	POWER AMP	R 0134	88-108-472-080	0E	C-RES, U 4.7K-1/16W J	LHSFD	CX-NSZ510
0 X	POWER AMP	R 0134	88-108-472-080	0E	C-RES, U 4.7K-1/16W J	LHSFD	CX-NSZ310
0 X	POWER AMP	R 0134	88-108-472-080	0E	C-RES, U 4.7K-1/16W J	LHSFD	CX-NSZ510
0 X	POWER AMP	R 0134	88-108-472-080	0E	C-RES, U 4.7K-1/16W J	USM	CX-SNAJ310
0 X	POWER AMP	R 0135	88-108-122-080	0E	C-RES, U 1.2K-1/16W J	USM	CX-SNAJ310
X	POWER AMP	R 0135	88-108-152-080	0E	C-RES, U 1.5K-1/16W J	EZSFD	CX-NSZ315
0 X	POWER AMP	R 0135	88-108-152-080	0E	C-RES, U 1.5K-1/16W J	EZSFD	CX-NSZ310
0 X	POWER AMP	R 0135	88-108-152-080	0E	C-RES, U 1.5K-1/16W J	KSFD	CX-NSZ310
0 X	POWER AMP	R 0135	88-108-152-080	0E	C-RES, U 1.5K-1/16W J	LHSFD	CX-NSZ310
0 X	POWER AMP	R 0135	88-108-152-080	0E	C-RES, U 1.5K-1/16W J	LHSFD	CX-NSZ510
0 X	POWER AMP	R 0136	88-108-122-080	0E	C-RES, U 1.2K-1/16W J	USM	CX-SNAJ310
X	POWER AMP	R 0136	88-108-152-080	0E	C-RES, U 1.5K-1/16W J	EZSFD	CX-NSZ315
0 X	POWER AMP	R 0136	88-108-152-080	0E	C-RES, U 1.5K-1/16W J	EZSFD	CX-NSZ310

# PARTS LIST

! =  $\Delta$  SAFTY PARTS  
 C = Components marked

All components used on this model at the production line are shown in this service manual.

However, please note that not all components will be available as spare parts for after-sales service.

Components marked S and O are designated as spare parts for service and will be stocked at the spare parts centers.

Components marked X and R are not designated as spare parts for after sales service, and will not be stocked at the spare parts centers.

K NO. = Only use japanese.

! C	UNIT NAME	REF NO.	PARTS CODE	K NO.	DESCRIPTION	SUFFIX	MODEL NAME
0 X	POWER AMP	R 0136	88-108-152-080	0E	C-RES,U 1.5K-1/16W J	KSFD	CX-NSZ310
0 X	POWER AMP	R 0136	88-108-152-080	0E	C-RES,U 1.5K-1/16W J	LHSFD	CX-NSZ310
0 X	POWER AMP	R 0136	88-108-152-080	0E	C-RES,U 1.5K-1/16W J	LHSFD	CX-NSZ510
X	POWER AMP	R 0137	88-108-101-080	0E	C-RES,U 100-1/16W J	EZSFD	CX-NSZ315
0 X	POWER AMP	R 0137	88-108-101-080	0E	C-RES,U 100-1/16W J	EZSFD	CX-NSZ310
0 X	POWER AMP	R 0137	88-108-101-080	0E	C-RES,U 100-1/16W J	KSFD	CX-NSZ310
0 X	POWER AMP	R 0137	88-108-101-080	0E	C-RES,U 100-1/16W J	LHSFD	CX-NSZ310
0 X	POWER AMP	R 0137	88-108-101-080	0E	C-RES,U 100-1/16W J	LHSFD	CX-NSZ510
0 X	POWER AMP	R 0137	88-108-101-080	0E	C-RES,U 100-1/16W J	USM	CX-SNAJ310
X	POWER AMP	R 0138	88-108-101-080	0E	C-RES,U 100-1/16W J	EZSFD	CX-NSZ315
0 X	POWER AMP	R 0138	88-108-101-080	0E	C-RES,U 100-1/16W J	EZSFD	CX-NSZ310
0 X	POWER AMP	R 0138	88-108-101-080	0E	C-RES,U 100-1/16W J	KSFD	CX-NSZ310
0 X	POWER AMP	R 0138	88-108-101-080	0E	C-RES,U 100-1/16W J	LHSFD	CX-NSZ310
0 X	POWER AMP	R 0138	88-108-101-080	0E	C-RES,U 100-1/16W J	LHSFD	CX-NSZ510
0 X	POWER AMP	R 0138	88-108-101-080	0E	C-RES,U 100-1/16W J	USM	CX-SNAJ310
X	POWER AMP	R 0141	88-118-102-080	0E	C-RES,S 1K-1/10W J	EZSFD	CX-NSZ315
0 X	POWER AMP	R 0141	88-118-102-080	0E	C-RES,S 1K-1/10W J	EZSFD	CX-NSZ310
0 X	POWER AMP	R 0141	88-118-102-080	0E	C-RES,S 1K-1/10W J	KSFD	CX-NSZ310
0 X	POWER AMP	R 0141	88-118-102-080	0E	C-RES,S 1K-1/10W J	LHSFD	CX-NSZ310
0 X	POWER AMP	R 0141	88-118-102-080	0E	C-RES,S 1K-1/10W J	LHSFD	CX-NSZ510
0 X	POWER AMP	R 0141	88-118-102-080	0E	C-RES,S 1K-1/10W J	USM	CX-SNAJ310
X	POWER AMP	R 0142	88-118-102-080	0E	C-RES,S 1K-1/10W J	EZSFD	CX-NSZ315
0 X	POWER AMP	R 0142	88-118-102-080	0E	C-RES,S 1K-1/10W J	EZSFD	CX-NSZ310
0 X	POWER AMP	R 0142	88-118-102-080	0E	C-RES,S 1K-1/10W J	KSFD	CX-NSZ310
0 X	POWER AMP	R 0142	88-118-102-080	0E	C-RES,S 1K-1/10W J	LHSFD	CX-NSZ310
0 X	POWER AMP	R 0142	88-118-102-080	0E	C-RES,S 1K-1/10W J	LHSFD	CX-NSZ510
0 X	POWER AMP	R 0142	88-118-102-080	0E	C-RES,S 1K-1/10W J	USM	CX-SNAJ310
X	POWER AMP	R 0151	88-108-473-080	0E	C-RES,U 47K-1/16W J	EZSFD	CX-NSZ315
0 X	POWER AMP	R 0151	88-108-473-080	0E	C-RES,U 47K-1/16W J	EZSFD	CX-NSZ310
0 X	POWER AMP	R 0151	88-108-473-080	0E	C-RES,U 47K-1/16W J	KSFD	CX-NSZ310
0 X	POWER AMP	R 0151	88-108-473-080	0E	C-RES,U 47K-1/16W J	LHSFD	CX-NSZ310
0 X	POWER AMP	R 0151	88-108-473-080	0E	C-RES,U 47K-1/16W J	LHSFD	CX-NSZ510
0 X	POWER AMP	R 0151	88-108-473-080	0E	C-RES,U 47K-1/16W J	USM	CX-SNAJ310
X	POWER AMP	R 0152	88-108-473-080	0E	C-RES,U 47K-1/16W J	EZSFD	CX-NSZ315
0 X	POWER AMP	R 0152	88-108-473-080	0E	C-RES,U 47K-1/16W J	EZSFD	CX-NSZ310
0 X	POWER AMP	R 0152	88-108-473-080	0E	C-RES,U 47K-1/16W J	KSFD	CX-NSZ310
0 X	POWER AMP	R 0152	88-108-473-080	0E	C-RES,U 47K-1/16W J	LHSFD	CX-NSZ310
0 X	POWER AMP	R 0152	88-108-473-080	0E	C-RES,U 47K-1/16W J	LHSFD	CX-NSZ510
0 X	POWER AMP	R 0152	88-108-473-080	0E	C-RES,U 47K-1/16W J	USM	CX-SNAJ310
X	POWER AMP	R 0153	88-118-390-080	0E	C-RES,S 39-1/10W J	EZSFD	CX-NSZ315
0 X	POWER AMP	R 0153	88-118-390-080	0E	C-RES,S 39-1/10W J	EZSFD	CX-NSZ310
0 X	POWER AMP	R 0153	88-118-390-080	0E	C-RES,S 39-1/10W J	KSFD	CX-NSZ310
0 X	POWER AMP	R 0153	88-118-390-080	0E	C-RES,S 39-1/10W J	LHSFD	CX-NSZ310
0 X	POWER AMP	R 0153	88-118-390-080	0E	C-RES,S 39-1/10W J	LHSFD	CX-NSZ510
0 X	POWER AMP	R 0153	88-118-390-080	0E	C-RES,S 39-1/10W J	USM	CX-SNAJ310
X	POWER AMP	R 0154	88-118-390-080	0E	C-RES,S 39-1/10W J	EZSFD	CX-NSZ315
0 X	POWER AMP	R 0154	88-118-390-080	0E	C-RES,S 39-1/10W J	EZSFD	CX-NSZ310
0 X	POWER AMP	R 0154	88-118-390-080	0E	C-RES,S 39-1/10W J	KSFD	CX-NSZ310
0 X	POWER AMP	R 0154	88-118-390-080	0E	C-RES,S 39-1/10W J	LHSFD	CX-NSZ310
0 X	POWER AMP	R 0154	88-118-390-080	0E	C-RES,S 39-1/10W J	LHSFD	CX-NSZ510
0 X	POWER AMP	R 0154	88-118-390-080	0E	C-RES,S 39-1/10W J	USM	CX-SNAJ310
X	POWER AMP	R 0155	88-108-682-080	0E	C-RES,U 6.8K-1/16W J	EZSFD	CX-NSZ315
0 X	POWER AMP	R 0155	88-108-682-080	0E	C-RES,U 6.8K-1/16W J	EZSFD	CX-NSZ310
0 X	POWER AMP	R 0155	88-108-682-080	0E	C-RES,U 6.8K-1/16W J	KSFD	CX-NSZ310
0 X	POWER AMP	R 0155	88-108-682-080	0E	C-RES,U 6.8K-1/16W J	LHSFD	CX-NSZ310
0 X	POWER AMP	R 0155	88-108-822-080	0E	C-RES,U 8.2K-1/16W J	LHSFD	CX-NSZ510
0 X	POWER AMP	R 0155	88-108-822-080	0E	C-RES,U 8.2K-1/16W J	LHSFD	CX-NSZ310
0 X	POWER AMP	R 0155	88-108-822-080	0E	C-RES,U 8.2K-1/16W J	USM	CX-SNAJ310
X	POWER AMP	R 0156	88-108-682-080	0E	C-RES,U 6.8K-1/16W J	EZSFD	CX-NSZ315
0 X	POWER AMP	R 0156	88-108-682-080	0E	C-RES,U 6.8K-1/16W J	EZSFD	CX-NSZ310
0 X	POWER AMP	R 0156	88-108-682-080	0E	C-RES,U 6.8K-1/16W J	KSFD	CX-NSZ310
0 X	POWER AMP	R 0156	88-108-822-080	0E	C-RES,U 8.2K-1/16W J	LHSFD	CX-NSZ310
0 X	POWER AMP	R 0156	88-108-822-080	0E	C-RES,U 8.2K-1/16W J	LHSFD	CX-NSZ510
0 X	POWER AMP	R 0156	88-108-822-080	0E	C-RES,U 8.2K-1/16W J	USM	CX-SNAJ310
X	POWER AMP	R 0157	88-108-472-080	0E	C-RES,U 4.7K-1/16W J	EZSFD	CX-NSZ315
0 X	POWER AMP	R 0157	88-108-472-080	0E	C-RES,U 4.7K-1/16W J	EZSFD	CX-NSZ310
0 X	POWER AMP	R 0157	88-108-472-080	0E	C-RES,U 4.7K-1/16W J	KSFD	CX-NSZ310
0 X	POWER AMP	R 0157	88-108-472-080	0E	C-RES,U 4.7K-1/16W J	LHSFD	CX-NSZ310
0 X	POWER AMP	R 0157	88-108-472-080	0E	C-RES,U 4.7K-1/16W J	LHSFD	CX-NSZ510
0 X	POWER AMP	R 0157	88-108-472-080	0E	C-RES,U 4.7K-1/16W J	USM	CX-SNAJ310
X	POWER AMP	R 0158	88-128-272-080	0E	C-RES, 2.7K-1/8W J	EZSFD	CX-NSZ315

# PARTS LIST

! =  $\Delta$  SAFTY PARTS  
 C = Components marked

All components used on this model at the production line are shown in this service manual.

However, please note that not all components will be available as spare parts for after-sales service.

Components marked S and O are designated as spare parts for service and will be stocked at the spare parts centers.

Components marked X and R are not designated as spare parts for after sales service, and will not be stocked at the spare parts centers.

K NO. = Only use japanese.

! C	UNIT NAME	REF NO.	PARTS CODE	K NO.	DESCRIPTION	SUFFIX	MODEL NAME
0 X	POWER AMP	R 0159	88-108-103-080	0E	C-RES,U 10K-1/16W J	EZSFD	CX-NSZ315
0 X	POWER AMP	R 0159	88-108-103-080	0E	C-RES,U 10K-1/16W J	EZSFD	CX-NSZ310
0 X	POWER AMP	R 0159	88-108-103-080	0E	C-RES,U 10K-1/16W J	KSFD	CX-NSZ310
0 X	POWER AMP	R 0159	88-108-103-080	0E	C-RES,U 10K-1/16W J	LHSFD	CX-NSZ310
0 X	POWER AMP	R 0159	88-108-103-080	0E	C-RES,U 10K-1/16W J	LHSFD	CX-NSZ510
0 X	POWER AMP	R 0159	88-108-103-080	0E	C-RES,U 10K-1/16W J	USM	CX-SNAJ310
X	POWER AMP	R 0160	88-121-103-080	0E	RES,10K-1/8W J	EZSFD	CX-NSZ315
0 X	POWER AMP	R 0160	88-121-103-080	0E	RES,10K-1/8W J	EZSFD	CX-NSZ310
0 X	POWER AMP	R 0160	88-121-103-080	0E	RES,10K-1/8W J	KSFD	CX-NSZ310
0 X	POWER AMP	R 0160	88-121-103-080	0E	RES,10K-1/8W J	LHSFD	CX-NSZ310
0 X	POWER AMP	R 0160	88-121-103-080	0E	RES,10K-1/8W J	LHSFD	CX-NSZ310
0 X	POWER AMP	R 0160	88-121-103-080	0E	RES,10K-1/8W J	LHSFD	CX-NSZ510
0 X	POWER AMP	R 0160	88-121-103-080	0E	RES,10K-1/8W J	USM	CX-SNAJ310
X	POWER AMP	R 0161	88-108-472-080	0E	C-RES,U 4.7K-1/16W J	EZSFD	CX-NSZ315
0 X	POWER AMP	R 0161	88-108-472-080	0E	C-RES,U 4.7K-1/16W J	EZSFD	CX-NSZ310
0 X	POWER AMP	R 0161	88-108-472-080	0E	C-RES,U 4.7K-1/16W J	KSFD	CX-NSZ310
0 X	POWER AMP	R 0161	88-108-472-080	0E	C-RES,U 4.7K-1/16W J	LHSFD	CX-NSZ310
0 X	POWER AMP	R 0161	88-108-472-080	0E	C-RES,U 4.7K-1/16W J	LHSFD	CX-NSZ510
0 X	POWER AMP	R 0161	88-108-472-080	0E	C-RES,U 4.7K-1/16W J	USM	CX-SNAJ310
X	POWER AMP	R 0162	88-108-472-080	0E	C-RES,U 4.7K-1/16W J	EZSFD	CX-NSZ315
0 X	POWER AMP	R 0162	88-108-472-080	0E	C-RES,U 4.7K-1/16W J	EZSFD	CX-NSZ310
0 X	POWER AMP	R 0162	88-108-472-080	0E	C-RES,U 4.7K-1/16W J	KSFD	CX-NSZ310
0 X	POWER AMP	R 0162	88-108-472-080	0E	C-RES,U 4.7K-1/16W J	LHSFD	CX-NSZ310
0 X	POWER AMP	R 0162	88-108-472-080	0E	C-RES,U 4.7K-1/16W J	LHSFD	CX-NSZ510
0 X	POWER AMP	R 0162	88-108-472-080	0E	C-RES,U 4.7K-1/16W J	USM	CX-SNAJ310
X	POWER AMP	R 0163	88-108-472-080	0E	C-RES,U 4.7K-1/16W J	EZSFD	CX-NSZ315
0 X	POWER AMP	R 0163	88-108-472-080	0E	C-RES,U 4.7K-1/16W J	EZSFD	CX-NSZ310
0 X	POWER AMP	R 0163	88-108-472-080	0E	C-RES,U 4.7K-1/16W J	KSFD	CX-NSZ310
0 X	POWER AMP	R 0163	88-108-472-080	0E	C-RES,U 4.7K-1/16W J	LHSFD	CX-NSZ310
0 X	POWER AMP	R 0163	88-108-472-080	0E	C-RES,U 4.7K-1/16W J	LHSFD	CX-NSZ510
0 X	POWER AMP	R 0163	88-108-472-080	0E	C-RES,U 4.7K-1/16W J	USM	CX-SNAJ310
X	POWER AMP	R 0164	88-108-472-080	0E	C-RES,U 4.7K-1/16W J	EZSFD	CX-NSZ315
0 X	POWER AMP	R 0164	88-108-472-080	0E	C-RES,U 4.7K-1/16W J	EZSFD	CX-NSZ310
0 X	POWER AMP	R 0164	88-108-472-080	0E	C-RES,U 4.7K-1/16W J	KSFD	CX-NSZ310
0 X	POWER AMP	R 0164	88-108-472-080	0E	C-RES,U 4.7K-1/16W J	LHSFD	CX-NSZ310
0 X	POWER AMP	R 0164	88-108-472-080	0E	C-RES,U 4.7K-1/16W J	LHSFD	CX-NSZ510
0 X	POWER AMP	R 0164	88-108-472-080	0E	C-RES,U 4.7K-1/16W J	USM	CX-SNAJ310
X	POWER AMP	R 0165	88-118-152-080	0E	C-RES,S 1.5K-1/10W J	EZSFD	CX-NSZ315
0 X	POWER AMP	R 0165	88-118-152-080	0E	C-RES,S 1.5K-1/10W J	EZSFD	CX-NSZ310
0 X	POWER AMP	R 0165	88-118-152-080	0E	C-RES,S 1.5K-1/10W J	KSFD	CX-NSZ310
0 X	POWER AMP	R 0165	88-118-152-080	0E	C-RES,S 1.5K-1/10W J	LHSFD	CX-NSZ310
0 X	POWER AMP	R 0165	88-118-152-080	0E	C-RES,S 1.5K-1/10W J	LHSFD	CX-NSZ510
0 X	POWER AMP	R 0165	88-118-152-080	0E	C-RES,S 1.5K-1/10W J	USM	CX-SNAJ310
X	POWER AMP	R 0166	88-118-152-080	0E	C-RES,S 1.5K-1/10W J	EZSFD	CX-NSZ315
0 X	POWER AMP	R 0166	88-118-152-080	0E	C-RES,S 1.5K-1/10W J	EZSFD	CX-NSZ310
0 X	POWER AMP	R 0166	88-118-152-080	0E	C-RES,S 1.5K-1/10W J	KSFD	CX-NSZ310
0 X	POWER AMP	R 0166	88-118-152-080	0E	C-RES,S 1.5K-1/10W J	LHSFD	CX-NSZ310
0 X	POWER AMP	R 0166	88-118-152-080	0E	C-RES,S 1.5K-1/10W J	LHSFD	CX-NSZ510
0 X	POWER AMP	R 0166	88-118-152-080	0E	C-RES,S 1.5K-1/10W J	USM	CX-SNAJ310
X	POWER AMP	R 0167	88-108-103-080	0E	C-RES,U 10K-1/16W J	EZSFD	CX-NSZ315
0 X	POWER AMP	R 0167	88-108-103-080	0E	C-RES,U 10K-1/16W J	EZSFD	CX-NSZ310
0 X	POWER AMP	R 0167	88-108-103-080	0E	C-RES,U 10K-1/16W J	KSFD	CX-NSZ310
0 X	POWER AMP	R 0167	88-108-103-080	0E	C-RES,U 10K-1/16W J	LHSFD	CX-NSZ310
0 X	POWER AMP	R 0167	88-108-103-080	0E	C-RES,U 10K-1/16W J	LHSFD	CX-NSZ510
0 X	POWER AMP	R 0167	88-108-103-080	0E	C-RES,U 10K-1/16W J	USM	CX-SNAJ310
X	POWER AMP	R 0168	88-118-473-080	0E	C-RES,S 47K-1/10W J	EZSFD	CX-NSZ315
0 X	POWER AMP	R 0168	88-118-473-080	0E	C-RES,S 47K-1/10W J	EZSFD	CX-NSZ310
0 X	POWER AMP	R 0168	88-118-473-080	0E	C-RES,S 47K-1/10W J	KSFD	CX-NSZ310
0 X	POWER AMP	R 0168	88-118-473-080	0E	C-RES,S 47K-1/10W J	LHSFD	CX-NSZ310
0 X	POWER AMP	R 0168	88-118-473-080	0E	C-RES,S 47K-1/10W J	LHSFD	CX-NSZ510
0 X	POWER AMP	R 0168	88-118-473-080	0E	C-RES,S 47K-1/10W J	USM	CX-SNAJ310
X	POWER AMP	R 0169	88-118-271-080	0E	C-RES,S 270-1/10W J	EZSFD	CX-NSZ315
0 X	POWER AMP	R 0169	88-118-271-080	0E	C-RES,S 270-1/10W J	EZSFD	CX-NSZ310
0 X	POWER AMP	R 0169	88-118-271-080	0E	C-RES,S 270-1/10W J	KSFD	CX-NSZ310
0 X	POWER AMP	R 0169	88-118-271-080	0E	C-RES,S 270-1/10W J	LHSFD	CX-NSZ310
0 X	POWER AMP	R 0169	88-118-271-080	0E	C-RES,S 270-1/10W J	LHSFD	CX-NSZ510
0 X	POWER AMP	R 0169	88-118-271-080	0E	C-RES,S 270-1/10W J	USM	CX-SNAJ310
X	POWER AMP	R 0170	88-118-271-080	0E	C-RES,S 270-1/10W J	EZSFD	CX-NSZ315
0 X	POWER AMP	R 0170	88-118-271-080	0E	C-RES,S 270-1/10W J	EZSFD	CX-NSZ310
0 X	POWER AMP	R 0170	88-118-271-080	0E	C-RES,S 270-1/10W J	KSFD	CX-NSZ310
0 X	POWER AMP	R 0170	88-118-271-080	0E	C-RES,S 270-1/10W J	LHSFD	CX-NSZ310

# PARTS LIST

! =  $\Delta$  SAFTY PARTS  
 C = Components marked

All components used on this model at the production line are shown in this service manual.  
 However, please note that not all components will be available as spare parts for after-sales service.  
 Components marked S and O are designated as spare parts for service and will be stocked at the spare parts centers.  
 Components marked X and R are not designated as spare parts for after sales service, and will not be stocked at the spare parts centers.  
 K NO. = Only use japanese.

! C	UNIT NAME	REF NO.	PARTS CODE	K NO.	DESCRIPTION	SUFFIX	MODEL NAME
0 X	POWER AMP	R 0170	88-118-271-080	0E	C-RES,S 270-1/10W J	LHSFD	CX-NSZ510
0 X	POWER AMP	R 0170	88-118-271-080	0E	C-RES,S 270-1/10W J	USM	CX-SNAJ310
X	POWER AMP	R 0171	88-118-222-080	0E	C-RES,S 2.2K-1/10W J	EZSFD	CX-NSZ315
0 X	POWER AMP	R 0171	88-118-222-080	0E	C-RES,S 2.2K-1/10W J	EZSFD	CX-NSZ310
0 X	POWER AMP	R 0171	88-118-222-080	0E	C-RES,S 2.2K-1/10W J	KSFD	CX-NSZ310
0 X	POWER AMP	R 0171	88-118-222-080	0E	C-RES,S 2.2K-1/10W J	LHSFD	CX-NSZ310
0 X	POWER AMP	R 0171	88-118-222-080	0E	C-RES,S 2.2K-1/10W J	LHSFD	CX-NSZ510
0 X	POWER AMP	R 0171	88-118-222-080	0E	C-RES,S 2.2K-1/10W J	USM	CX-SNAJ310
X	POWER AMP	R 0172	88-118-222-080	0E	C-RES,S 2.2K-1/10W J	EZSFD	CX-NSZ315
0 X	POWER AMP	R 0172	88-118-222-080	0E	C-RES,S 2.2K-1/10W J	EZSFD	CX-NSZ310
0 X	POWER AMP	R 0172	88-118-222-080	0E	C-RES,S 2.2K-1/10W J	KSFD	CX-NSZ310
0 X	POWER AMP	R 0172	88-118-222-080	0E	C-RES,S 2.2K-1/10W J	LHSFD	CX-NSZ310
0 X	POWER AMP	R 0172	88-118-222-080	0E	C-RES,S 2.2K-1/10W J	LHSFD	CX-NSZ510
0 X	POWER AMP	R 0173	88-118-152-080	0E	C-RES,S 1.5K-1/10W J	EZSFD	CX-NSZ315
0 X	POWER AMP	R 0173	88-118-152-080	0E	C-RES,S 1.5K-1/10W J	EZSFD	CX-NSZ310
0 X	POWER AMP	R 0173	88-118-152-080	0E	C-RES,S 1.5K-1/10W J	KSFD	CX-NSZ310
0 X	POWER AMP	R 0173	88-118-152-080	0E	C-RES,S 1.5K-1/10W J	LHSFD	CX-NSZ310
0 X	POWER AMP	R 0173	88-118-152-080	0E	C-RES,S 1.5K-1/10W J	LHSFD	CX-NSZ510
0 X	POWER AMP	R 0173	88-118-152-080	0E	C-RES,S 1.5K-1/10W J	USM	CX-SNAJ310
X	POWER AMP	R 0174	88-118-152-080	0E	C-RES,S 1.5K-1/10W J	EZSFD	CX-NSZ315
0 X	POWER AMP	R 0174	88-118-152-080	0E	C-RES,S 1.5K-1/10W J	EZSFD	CX-NSZ310
0 X	POWER AMP	R 0174	88-118-152-080	0E	C-RES,S 1.5K-1/10W J	KSFD	CX-NSZ310
0 X	POWER AMP	R 0174	88-118-152-080	0E	C-RES,S 1.5K-1/10W J	LHSFD	CX-NSZ310
0 X	POWER AMP	R 0174	88-118-152-080	0E	C-RES,S 1.5K-1/10W J	LHSFD	CX-NSZ510
0 X	POWER AMP	R 0174	88-118-152-080	0E	C-RES,S 1.5K-1/10W J	USM	CX-SNAJ310
X	POWER AMP	R 0175	88-118-331-080	0E	C-RES,S 330-1/10W J	EZSFD	CX-NSZ315
0 X	POWER AMP	R 0175	88-118-331-080	0E	C-RES,S 330-1/10W J	EZSFD	CX-NSZ310
0 X	POWER AMP	R 0175	88-118-331-080	0E	C-RES,S 330-1/10W J	KSFD	CX-NSZ310
0 X	POWER AMP	R 0175	88-118-331-080	0E	C-RES,S 330-1/10W J	LHSFD	CX-NSZ310
0 X	POWER AMP	R 0175	88-118-331-080	0E	C-RES,S 330-1/10W J	LHSFD	CX-NSZ510
0 X	POWER AMP	R 0175	88-118-331-080	0E	C-RES,S 330-1/10W J	USM	CX-SNAJ310
X	POWER AMP	R 0176	88-118-331-080	0E	C-RES,S 330-1/10W J	EZSFD	CX-NSZ315
0 X	POWER AMP	R 0176	88-118-331-080	0E	C-RES,S 330-1/10W J	EZSFD	CX-NSZ310
0 X	POWER AMP	R 0176	88-118-331-080	0E	C-RES,S 330-1/10W J	KSFD	CX-NSZ310
0 X	POWER AMP	R 0176	88-118-331-080	0E	C-RES,S 330-1/10W J	LHSFD	CX-NSZ310
0 X	POWER AMP	R 0176	88-118-331-080	0E	C-RES,S 330-1/10W J	LHSFD	CX-NSZ510
0 X	POWER AMP	R 0176	88-118-331-080	0E	C-RES,S 330-1/10W J	USM	CX-SNAJ310
X	POWER AMP	R 0177	88-128-222-080	0E	C-RES, 2.2K-1/8W J	EZSFD	CX-NSZ315
0 X	POWER AMP	R 0177	88-128-222-080	0E	C-RES, 2.2K-1/8W J	EZSFD	CX-NSZ310
0 X	POWER AMP	R 0177	88-128-222-080	0E	C-RES, 2.2K-1/8W J	KSFD	CX-NSZ310
0 X	POWER AMP	R 0177	88-128-222-080	0E	C-RES, 2.2K-1/8W J	LHSFD	CX-NSZ310
0 X	POWER AMP	R 0177	88-128-222-080	0E	C-RES, 2.2K-1/8W J	LHSFD	CX-NSZ510
0 X	POWER AMP	R 0177	88-128-222-080	0E	C-RES, 2.2K-1/8W J	USM	CX-SNAJ310
X	POWER AMP	R 0178	88-118-103-080	0E	C-RES,S 10K-1/10W J	EZSFD	CX-NSZ315
0 X	POWER AMP	R 0178	88-118-103-080	0E	C-RES,S 10K-1/10W J	EZSFD	CX-NSZ310
0 X	POWER AMP	R 0178	88-118-103-080	0E	C-RES,S 10K-1/10W J	KSFD	CX-NSZ310
0 X	POWER AMP	R 0178	88-118-103-080	0E	C-RES,S 10K-1/10W J	LHSFD	CX-NSZ310
0 X	POWER AMP	R 0178	88-118-103-080	0E	C-RES,S 10K-1/10W J	LHSFD	CX-NSZ510
0 X	POWER AMP	R 0178	88-118-103-080	0E	C-RES,S 10K-1/10W J	USM	CX-SNAJ310
X	POWER AMP	R 0179	88-108-103-080	0E	C-RES,U 10K-1/16W J	EZSFD	CX-NSZ315
0 X	POWER AMP	R 0179	88-108-103-080	0E	C-RES,U 10K-1/16W J	EZSFD	CX-NSZ310
0 X	POWER AMP	R 0179	88-108-103-080	0E	C-RES,U 10K-1/16W J	KSFD	CX-NSZ310
0 X	POWER AMP	R 0179	88-108-103-080	0E	C-RES,U 10K-1/16W J	LHSFD	CX-NSZ310
0 X	POWER AMP	R 0179	88-108-103-080	0E	C-RES,U 10K-1/16W J	LHSFD	CX-NSZ510
0 X	POWER AMP	R 0179	88-108-103-080	0E	C-RES,U 10K-1/16W J	USM	CX-SNAJ310
X	POWER AMP	R 0180	88-108-103-080	0E	C-RES,U 10K-1/16W J	EZSFD	CX-NSZ315
0 X	POWER AMP	R 0180	88-108-103-080	0E	C-RES,U 10K-1/16W J	EZSFD	CX-NSZ310
0 X	POWER AMP	R 0180	88-108-103-080	0E	C-RES,U 10K-1/16W J	KSFD	CX-NSZ310
0 X	POWER AMP	R 0180	88-108-103-080	0E	C-RES,U 10K-1/16W J	LHSFD	CX-NSZ310
0 X	POWER AMP	R 0180	88-108-103-080	0E	C-RES,U 10K-1/16W J	LHSFD	CX-NSZ510
0 X	POWER AMP	R 0180	88-108-103-080	0E	C-RES,U 10K-1/16W J	USM	CX-SNAJ310
X	POWER AMP	R 0184	88-118-102-080	0E	C-RES,S 1K-1/10W J	EZSFD	CX-NSZ315
0 X	POWER AMP	R 0184	88-118-102-080	0E	C-RES,S 1K-1/10W J	EZSFD	CX-NSZ310
0 X	POWER AMP	R 0184	88-118-102-080	0E	C-RES,S 1K-1/10W J	KSFD	CX-NSZ310
0 X	POWER AMP	R 0184	88-118-102-080	0E	C-RES,S 1K-1/10W J	LHSFD	CX-NSZ310
0 X	POWER AMP	R 0184	88-118-102-080	0E	C-RES,S 1K-1/10W J	LHSFD	CX-NSZ510
0 X	POWER AMP	R 0184	88-118-102-080	0E	C-RES,S 1K-1/10W J	USM	CX-SNAJ310
X	POWER AMP	R 0185	88-108-332-080	0E	C-RES,U 3.3K-1/16W J	EZSFD	CX-NSZ315
0 X	POWER AMP	R 0185	88-108-332-080	0E	C-RES,U 3.3K-1/16W J	EZSFD	CX-NSZ310

# PARTS LIST

! =  $\Delta$  SAFTY PARTS  
 C = Components marked

All components used on this model at the production line are shown in this service manual.

However, please note that not all components will be available as spare parts for after-sales service.

Components marked S and O are designated as spare parts for service and will be stocked at the spare parts centers.

Components marked X and R are not designated as spare parts for after sales service, and will not be stocked at the spare parts centers.

K NO. = Only use japanese.

! C	UNIT NAME	REF NO.	PARTS CODE	K NO.	DESCRIPTION	SUFFIX	MODEL NAME
0 X	POWER AMP	R 0185	88-108-332-080	0E	C-RES,U 3.3K-1/16W J	KSFD	CX-NSZ310
0 X	POWER AMP	R 0185	88-108-332-080	0E	C-RES,U 3.3K-1/16W J	LHSFD	CX-NSZ310
0 X	POWER AMP	R 0185	88-108-332-080	0E	C-RES,U 3.3K-1/16W J	LHSFD	CX-NSZ510
0 X	POWER AMP	R 0185	88-108-332-080	0E	C-RES,U 3.3K-1/16W J	USM	CX-SNAJ310
X	POWER AMP	R 0186	88-118-102-080	0E	C-RES,S 1K-1/10W J	EZSFD	CX-NSZ315
0 X	POWER AMP	R 0186	88-118-222-080	0E	C-RES,S 2.2K-1/10W J	EZSFD	CX-NSZ310
0 X	POWER AMP	R 0186	88-118-222-080	0E	C-RES,S 2.2K-1/10W J	KSFD	CX-NSZ310
0 X	POWER AMP	R 0186	88-118-222-080	0E	C-RES,S 2.2K-1/10W J	LHSFD	CX-NSZ310
0 X	POWER AMP	R 0186	88-118-222-080	0E	C-RES,S 2.2K-1/10W J	LHSFD	CX-NSZ510
0 X	POWER AMP	R 0186	88-118-222-080	0E	C-RES,S 2.2K-1/10W J	USM	CX-SNAJ310
X	POWER AMP	R 0187	88-118-103-080	0E	C-RES,S 10K-1/10W J	EZSFD	CX-NSZ315
0 X	POWER AMP	R 0187	88-118-103-080	0E	C-RES,S 10K-1/10W J	EZSFD	CX-NSZ310
0 X	POWER AMP	R 0187	88-118-103-080	0E	C-RES,S 10K-1/10W J	KSFD	CX-NSZ310
0 X	POWER AMP	R 0187	88-118-103-080	0E	C-RES,S 10K-1/10W J	LHSFD	CX-NSZ310
0 X	POWER AMP	R 0187	88-118-103-080	0E	C-RES,S 10K-1/10W J	LHSFD	CX-NSZ510
0 X	POWER AMP	R 0187	88-118-103-080	0E	C-RES,S 10K-1/10W J	USM	CX-SNAJ310
X	POWER AMP	R 0188	88-118-222-080	0E	C-RES,S 2.2K-1/10W J	EZSFD	CX-NSZ315
0 X	POWER AMP	R 0188	88-118-472-080	0E	C-RES,S 4.7K-1/10W J	EZSFD	CX-NSZ310
0 X	POWER AMP	R 0188	88-118-472-080	0E	C-RES,S 4.7K-1/10W J	KSFD	CX-NSZ310
0 X	POWER AMP	R 0188	88-118-472-080	0E	C-RES,S 4.7K-1/10W J	LHSFD	CX-NSZ310
0 X	POWER AMP	R 0188	88-118-472-080	0E	C-RES,S 4.7K-1/10W J	LHSFD	CX-NSZ510
0 X	POWER AMP	R 0188	88-118-472-080	0E	C-RES,S 4.7K-1/10W J	USM	CX-SNAJ310
X	POWER AMP	R 0189	88-128-272-080	0E	C-RES, 2.7K-1/8W J	EZSFD	CX-NSZ315
0 X	POWER AMP	R 0189	88-128-272-080	0E	C-RES, 2.7K-1/8W J	EZSFD	CX-NSZ310
0 X	POWER AMP	R 0189	88-128-272-080	0E	C-RES, 2.7K-1/8W J	KSFD	CX-NSZ310
0 X	POWER AMP	R 0189	88-128-272-080	0E	C-RES, 2.7K-1/8W J	LHSFD	CX-NSZ310
0 X	POWER AMP	R 0189	88-128-272-080	0E	C-RES, 2.7K-1/8W J	LHSFD	CX-NSZ510
0 X	POWER AMP	R 0189	88-128-272-080	0E	C-RES, 2.7K-1/8W J	USM	CX-SNAJ310
X	POWER AMP	R 0190	88-128-272-080	0E	C-RES, 2.7K-1/8W J	EZSFD	CX-NSZ315
0 X	POWER AMP	R 0190	88-128-272-080	0E	C-RES, 2.7K-1/8W J	EZSFD	CX-NSZ310
0 X	POWER AMP	R 0190	88-128-272-080	0E	C-RES, 2.7K-1/8W J	KSFD	CX-NSZ310
0 X	POWER AMP	R 0190	88-128-272-080	0E	C-RES, 2.7K-1/8W J	LHSFD	CX-NSZ310
0 X	POWER AMP	R 0190	88-128-272-080	0E	C-RES, 2.7K-1/8W J	LHSFD	CX-NSZ510
0 X	POWER AMP	R 0190	88-128-272-080	0E	C-RES, 2.7K-1/8W J	USM	CX-SNAJ310
X	POWER AMP	R 0192	88-128-222-080	0E	C-RES, 2.2K-1/8W J	EZSFD	CX-NSZ315
0 X	POWER AMP	R 0192	88-128-222-080	0E	C-RES, 2.2K-1/8W J	EZSFD	CX-NSZ310
0 X	POWER AMP	R 0192	88-128-222-080	0E	C-RES, 2.2K-1/8W J	KSFD	CX-NSZ310
0 X	POWER AMP	R 0192	88-128-222-080	0E	C-RES, 2.2K-1/8W J	LHSFD	CX-NSZ310
0 X	POWER AMP	R 0192	88-128-222-080	0E	C-RES, 2.2K-1/8W J	LHSFD	CX-NSZ510
0 X	POWER AMP	R 0192	88-128-222-080	0E	C-RES, 2.2K-1/8W J	USM	CX-SNAJ310
X	POWER AMP	R 0193	88-108-103-080	0E	C-RES,U 10K-1/16W J	EZSFD	CX-NSZ315
0 X	POWER AMP	R 0193	88-108-103-080	0E	C-RES,U 10K-1/16W J	EZSFD	CX-NSZ310
0 X	POWER AMP	R 0193	88-108-103-080	0E	C-RES,U 10K-1/16W J	KSFD	CX-NSZ310
0 X	POWER AMP	R 0193	88-108-103-080	0E	C-RES,U 10K-1/16W J	LHSFD	CX-NSZ310
0 X	POWER AMP	R 0193	88-108-103-080	0E	C-RES,U 10K-1/16W J	LHSFD	CX-NSZ510
0 X	POWER AMP	R 0193	88-108-103-080	0E	C-RES,U 10K-1/16W J	USM	CX-SNAJ310
X	POWER AMP	R 0194	88-108-103-080	0E	C-RES,U 10K-1/16W J	EZSFD	CX-NSZ315
0 X	POWER AMP	R 0194	88-108-103-080	0E	C-RES,U 10K-1/16W J	EZSFD	CX-NSZ310
0 X	POWER AMP	R 0194	88-108-103-080	0E	C-RES,U 10K-1/16W J	KSFD	CX-NSZ310
0 X	POWER AMP	R 0194	88-108-103-080	0E	C-RES,U 10K-1/16W J	LHSFD	CX-NSZ310
0 X	POWER AMP	R 0194	88-108-103-080	0E	C-RES,U 10K-1/16W J	LHSFD	CX-NSZ510
0 X	POWER AMP	R 0194	88-108-103-080	0E	C-RES,U 10K-1/16W J	USM	CX-SNAJ310
X	POWER AMP	R 0195	88-108-473-080	0E	C-RES,U 47K-1/16W J	EZSFD	CX-NSZ315
0 X	POWER AMP	R 0195	88-108-473-080	0E	C-RES,U 47K-1/16W J	EZSFD	CX-NSZ310
0 X	POWER AMP	R 0195	88-108-473-080	0E	C-RES,U 47K-1/16W J	KSFD	CX-NSZ310
0 X	POWER AMP	R 0195	88-108-473-080	0E	C-RES,U 47K-1/16W J	LHSFD	CX-NSZ310
0 X	POWER AMP	R 0195	88-108-473-080	0E	C-RES,U 47K-1/16W J	LHSFD	CX-NSZ510
0 X	POWER AMP	R 0195	88-108-473-080	0E	C-RES,U 47K-1/16W J	USM	CX-SNAJ310
X	POWER AMP	R 0196	88-108-473-080	0E	C-RES,U 47K-1/16W J	EZSFD	CX-NSZ315
0 X	POWER AMP	R 0196	88-108-473-080	0E	C-RES,U 47K-1/16W J	EZSFD	CX-NSZ310
0 X	POWER AMP	R 0196	88-108-473-080	0E	C-RES,U 47K-1/16W J	KSFD	CX-NSZ310
0 X	POWER AMP	R 0196	88-108-473-080	0E	C-RES,U 47K-1/16W J	LHSFD	CX-NSZ310
0 X	POWER AMP	R 0196	88-108-473-080	0E	C-RES,U 47K-1/16W J	LHSFD	CX-NSZ510
X	POWER AMP	R 0197	88-108-473-080	0E	C-RES,U 47K-1/16W J	EZSFD	CX-NSZ315
0 X	POWER AMP	R 0197	88-108-473-080	0E	C-RES,U 47K-1/16W J	EZSFD	CX-NSZ310
0 X	POWER AMP	R 0197	88-108-473-080	0E	C-RES,U 47K-1/16W J	KSFD	CX-NSZ310
0 X	POWER AMP	R 0197	88-108-473-080	0E	C-RES,U 47K-1/16W J	LHSFD	CX-NSZ310
0 X	POWER AMP	R 0197	88-108-473-080	0E	C-RES,U 47K-1/16W J	LHSFD	CX-NSZ510
0 X	POWER AMP	R 0197	88-108-473-080	0E	C-RES,U 47K-1/16W J	USM	CX-SNAJ310



# PARTS LIST

! =  $\Delta$  SAFTY PARTS  
 C = Components marked

All components used on this model at the production line are shown in this service manual.

However, please note that not all components will be available as spare parts for after-sales service.

Components marked S and O are designated as spare parts for service and will be stocked at the spare parts centers.

Components marked X and R are not designated as spare parts for after sales service, and will not be stocked at the spare parts centers.

K NO. = Only use japanese.

! C	UNIT NAME	REF NO.	PARTS CODE	K NO.	DESCRIPTION	SUFFIX	MODEL NAME
	X POWER AMP	R 0198	88-108-473-080	0E	C-RES,U 47K-1/16W J	EZSFD	CX-NSZ315
0 X	POWER AMP	R 0198	88-108-473-080	0E	C-RES,U 47K-1/16W J	EZSFD	CX-NSZ310
0 X	POWER AMP	R 0198	88-108-473-080	0E	C-RES,U 47K-1/16W J	KSFD	CX-NSZ310
0 X	POWER AMP	R 0198	88-108-473-080	0E	C-RES,U 47K-1/16W J	LHSFD	CX-NSZ310
0 X	POWER AMP	R 0198	88-108-473-080	0E	C-RES,U 47K-1/16W J	LHSFD	CX-NSZ510
0 X	POWER AMP	R 0198	88-108-473-080	0E	C-RES,U 47K-1/16W J	USM	CX-SNAJ310
X	POWER AMP	R 0199	88-108-225-080	0E	C-RES,U 2.2M-1/16W J	EZSFD	CX-NSZ315
0 X	POWER AMP	R 0199	88-108-225-080	0E	C-RES,U 2.2M-1/16W J	EZSFD	CX-NSZ310
0 X	POWER AMP	R 0199	88-108-225-080	0E	C-RES,U 2.2M-1/16W J	KSFD	CX-NSZ310
0 X	POWER AMP	R 0199	88-108-225-080	0E	C-RES,U 2.2M-1/16W J	LHSFD	CX-NSZ310
0 X	POWER AMP	R 0199	88-108-225-080	0E	C-RES,U 2.2M-1/16W J	LHSFD	CX-NSZ510
0 X	POWER AMP	R 0199	88-108-225-080	0E	C-RES,U 2.2M-1/16W J	USM	CX-SNAJ310
0 O	POWER AMP	R 0243	87-A00-439-050	0E	RES,180-1/2W J RP	EZSFD	CX-NSZ310
0 O	POWER AMP	R 0243	87-A00-439-050	0E	RES,180-1/2W J RP	KSFD	CX-NSZ310
0 O	POWER AMP	R 0243	87-A00-439-050	0E	RES,180-1/2W J RP	LHSFD	CX-NSZ510
0 O	POWER AMP	R 0243	87-A00-440-050	0E	RES,220-1/2W J RP	LHSFD	CX-NSZ310
0 O	POWER AMP	R 0243	87-A00-440-050	0E	RES,220-1/2W J RP	USM	CX-SNAJ310
O	POWER AMP	R 0243	87-A00-999-050	0E	RES,180-1/2W J BLT2J	EZSFD	CX-NSZ315
O	POWER AMP	R 0244	87-A00-439-050	0E	RES,180-1/2W J RP	EZSFD	CX-NSZ310
O	POWER AMP	R 0244	87-A00-439-050	0E	RES,180-1/2W J RP	KSFD	CX-NSZ310
0 O	POWER AMP	R 0244	87-A00-439-050	0E	RES,180-1/2W J RP	LHSFD	CX-NSZ510
0 O	POWER AMP	R 0244	87-A00-440-050	0E	RES,220-1/2W J RP	LHSFD	CX-NSZ310
0 O	POWER AMP	R 0244	87-A00-440-050	0E	RES,220-1/2W J RP	USM	CX-SNAJ310
O	POWER AMP	R 0244	87-A00-999-050	0E	RES,180-1/2W J BLT2J	EZSFD	CX-NSZ315
0 O	POWER AMP	R 0245	87-A00-439-050	0E	RES,180-1/2W J RP	EZSFD	CX-NSZ310
0 O	POWER AMP	R 0245	87-A00-439-050	0E	RES,180-1/2W J RP	KSFD	CX-NSZ310
0 O	POWER AMP	R 0245	87-A00-439-050	0E	RES,180-1/2W J RP	LHSFD	CX-NSZ510
0 O	POWER AMP	R 0245	87-A00-440-050	0E	RES,220-1/2W J RP	USM	CX-SNAJ310
0 O	POWER AMP	R 0245	87-A00-441-050	0E	RES,270-1/2W J RP	LHSFD	CX-NSZ310
O	POWER AMP	R 0245	87-A00-999-050	0E	RES,180-1/2W J BLT2J	EZSFD	CX-NSZ315
0 O	POWER AMP	R 0246	87-A00-439-050	0E	RES,180-1/2W J RP	EZSFD	CX-NSZ310
0 O	POWER AMP	R 0246	87-A00-439-050	0E	RES,180-1/2W J RP	KSFD	CX-NSZ310
0 O	POWER AMP	R 0246	87-A00-439-050	0E	RES,180-1/2W J RP	LHSFD	CX-NSZ510
0 O	POWER AMP	R 0246	87-A00-440-050	0E	RES,220-1/2W J RP	USM	CX-SNAJ310
0 O	POWER AMP	R 0246	87-A00-441-050	0E	RES,270-1/2W J RP	LHSFD	CX-NSZ310
O	POWER AMP	R 0246	87-A00-999-050	0E	RES,180-1/2W J BLT2J	EZSFD	CX-NSZ315
X	POWER AMP	R 0247	88-130-100-080	0E	RES,10-1/4W J	EZSFD	CX-NSZ315
0 X	POWER AMP	R 0247	88-130-100-080	0E	RES,10-1/4W J	EZSFD	CX-NSZ310
0 X	POWER AMP	R 0247	88-130-100-080	0E	RES,10-1/4W J	KSFD	CX-NSZ310
0 X	POWER AMP	R 0247	88-130-100-080	0E	RES,10-1/4W J	LHSFD	CX-NSZ310
0 X	POWER AMP	R 0247	88-130-100-080	0E	RES,10-1/4W J	LHSFD	CX-NSZ510
0 X	POWER AMP	R 0247	88-130-100-080	0E	RES,10-1/4W J	USM	CX-SNAJ310
X	POWER AMP	R 0248	88-130-100-080	0E	RES,10-1/4W J	EZSFD	CX-NSZ315
0 X	POWER AMP	R 0248	88-130-100-080	0E	RES,10-1/4W J	EZSFD	CX-NSZ310
0 X	POWER AMP	R 0248	88-130-100-080	0E	RES,10-1/4W J	KSFD	CX-NSZ310
0 X	POWER AMP	R 0248	88-130-100-080	0E	RES,10-1/4W J	LHSFD	CX-NSZ310
0 X	POWER AMP	R 0248	88-130-100-080	0E	RES,10-1/4W J	LHSFD	CX-NSZ510
0 X	POWER AMP	R 0248	88-130-100-080	0E	RES,10-1/4W J	USM	CX-SNAJ310
X	POWER AMP	R 0249	88-128-100-080	0E	C-RES, 10-1/8W J	EZSFD	CX-NSZ315
0 X	POWER AMP	R 0249	88-128-100-080	0E	C-RES, 10-1/8W J	EZSFD	CX-NSZ310
0 X	POWER AMP	R 0249	88-128-100-080	0E	C-RES, 10-1/8W J	LHSFD	CX-NSZ310
0 X	POWER AMP	R 0249	88-128-100-080	0E	C-RES, 10-1/8W J	USM	CX-SNAJ310
X	POWER AMP	R 0250	88-121-100-080	0E	RES,10-1/8W J	EZSFD	CX-NSZ315
0 X	POWER AMP	R 0250	88-121-100-080	0E	RES,10-1/8W J	EZSFD	CX-NSZ310
0 X	POWER AMP	R 0250	88-121-100-080	0E	RES,10-1/8W J	KSFD	CX-NSZ310
0 X	POWER AMP	R 0250	88-121-100-080	0E	RES,10-1/8W J	LHSFD	CX-NSZ310
0 X	POWER AMP	R 0250	88-121-100-080	0E	RES,10-1/8W J	LHSFD	CX-NSZ510
0 X	POWER AMP	R 0250	88-121-100-080	0E	RES,10-1/8W J	USM	CX-SNAJ310
X	POWER AMP	R 0265	88-128-222-080	0E	C-RES, 2.2K-1/8W J	EZSFD	CX-NSZ315
0 X	POWER AMP	R 0265	88-128-222-080	0E	C-RES, 2.2K-1/8W J	EZSFD	CX-NSZ310
0 X	POWER AMP	R 0265	88-128-222-080	0E	C-RES, 2.2K-1/8W J	KSFD	CX-NSZ310
0 X	POWER AMP	R 0265	88-128-222-080	0E	C-RES, 2.2K-1/8W J	LHSFD	CX-NSZ310
0 X	POWER AMP	R 0265	88-128-222-080	0E	C-RES, 2.2K-1/8W J	LHSFD	CX-NSZ510
0 X	POWER AMP	R 0265	88-128-222-080	0E	C-RES, 2.2K-1/8W J	USM	CX-SNAJ310
X	POWER AMP	R 0266	88-128-222-080	0E	C-RES, 2.2K-1/8W J	EZSFD	CX-NSZ315
0 X	POWER AMP	R 0266	88-128-222-080	0E	C-RES, 2.2K-1/8W J	EZSFD	CX-NSZ310
0 X	POWER AMP	R 0266	88-128-222-080	0E	C-RES, 2.2K-1/8W J	KSFD	CX-NSZ310
0 X	POWER AMP	R 0266	88-128-222-080	0E	C-RES, 2.2K-1/8W J	LHSFD	CX-NSZ310

# PARTS LIST

! =  $\Delta$  SAFTY PARTS  
 C = Components marked

All components used on this model at the production line are shown in this service manual.

However, please note that not all components will be available as spare parts for after-sales service.

Components marked S and O are designated as spare parts for service and will be stocked at the spare parts centers.

Components marked X and R are not designated as spare parts for after sales service, and will not be stocked at the spare parts centers.

K NO. = Only use japanese.

! C	UNIT NAME	REF NO.	PARTS CODE	K NO.	DESCRIPTION	SUFFIX	MODEL NAME
0 X	POWER AMP	R 0266	88-128-222-080	0E	C-RES, 2.2K-1/8W J	LHSFD	CX-NSZ510
0 X	POWER AMP	R 0266	88-128-222-080	0E	C-RES, 2.2K-1/8W J	USM	CX-SNAJ310
0	POWER AMP	TH 0101	87-A91-042-080	0E	C-THMS,100K 55001	EZSFD	CX-NSZ315
0 O	POWER AMP	TH 0101	87-A91-042-080	0E	C-THMS,100K 55001	EZSFD	CX-NSZ310
0 O	POWER AMP	TH 0101	87-A91-042-080	0E	C-THMS,100K 55001	KSFD	CX-NSZ310
0 O	POWER AMP	TH 0101	87-A91-042-080	0E	C-THMS,100K 55001	LHSFD	CX-NSZ310
0 O	POWER AMP	TH 0101	87-A91-042-080	0E	C-THMS,100K 55001	LHSFD	CX-NSZ510
0 O	POWER AMP	TH 0101	87-A91-042-080	0E	C-THMS,100K 55001	USM	CX-SNAJ310
0 O	POWER AMP	TH 0102	87-A91-042-080	0E	C-THMS,100K 55001	EZSFD	CX-NSZ315
0 O	POWER AMP	TH 0102	87-A91-042-080	0E	C-THMS,100K 55001	EZSFD	CX-NSZ310
0 O	POWER AMP	TH 0102	87-A91-042-080	0E	C-THMS,100K 55001	KSFD	CX-NSZ310
0 O	POWER AMP	TH 0102	87-A91-042-080	0E	C-THMS,100K 55001	LHSFD	CX-NSZ310
0 O	POWER AMP	TH 0102	87-A91-042-080	0E	C-THMS,100K 55001	LHSFD	CX-NSZ510
0 O	POWER AMP	TH 0102	87-A91-042-080	0E	C-THMS,100K 55001	USM	CX-SNAJ310
X	PRINTED DU		87-056-168-010	0E	SH,CAUTION INF-WARR(EC)	EZSFD	CX-NSZ315
0 X	PRINTED DU		87-056-168-010	0E	SH,CAUTION INF-WARR(EC)	EZSFD	CX-NSZ310
0 X	PRINTED DU		87-056-168-010	0E	SH,CAUTION INF-WARR(EC)	KSFD	CX-NSZ310
X	PRINTED DU		87-B40-085-010	0E	BAG, PV 0.04-200-350 PL	EZSFD	CX-NSZ315
0 X	PRINTED DU		87-B40-085-010	0E	BAG, PV 0.04-200-350 PL	EZSFD	CX-NSZ310
0 X	PRINTED DU		87-B40-085-010	0E	BAG, PV 0.04-200-350 PL	KSFD	CX-NSZ310
0 X	PRINTED DU		87-B40-085-010	0E	BAG, PV 0.04-200-350 PL	LHSFD	CX-NSZ310
0 X	PRINTED DU		87-B40-085-010	0E	BAG, PV 0.04-200-350 PL	LHSFD	CX-NSZ510
0 X	PRINTED DU		87-B40-085-010	0E	BAG, PV 0.04-200-350 PL	USM	CX-SNAJ310
0 X	PRINTED DU		87-B50-053-010	0E	WARR-CARD,USA CUST/AV,VISUAL	USM	CX-SNAJ310
0 X	PRINTED DU		87-B50-056-010	0E	SH,CAUTION AC VOLTAGE	LHSFD	CX-NSZ310
0 X	PRINTED DU		87-B50-056-010	0E	SH,CAUTION AC VOLTAGE	LHSFD	CX-NSZ510
X	PRINTED DU		87-B50-079-010	0E	LIST,FACILITY(B)-0007	EZSFD	CX-NSZ315
0 X	PRINTED DU		87-B50-079-010	0E	LIST,FACILITY(B)-0007	EZSFD	CX-NSZ310
0 X	PRINTED DU		87-B50-079-010	0E	LIST,FACILITY(B)-0007	KSFD	CX-NSZ310
0 X	PRINTED DU		87-B50-079-010	0E	LIST,FACILITY(B)-0007	LHSFD	CX-NSZ310
0 X	PRINTED DU		87-B50-079-010	0E	LIST,FACILITY(B)-0007	LHSFD	CX-NSZ510
0 O	PRINTED DU		8B-NFY-913-010	--	IB,U(ESF)M	USM	CX-SNAJ310
0 O	PRINTED DU		8B-NFY-922-010	--	IB,LH(ESP)IN	LHSFD	CX-NSZ310
0 O	PRINTED DU		8B-NFY-922-010	--	IB,LH(ESP)IN	LHSFD	CX-NSZ510
0 O	PRINTED DU		8B-NFY-925-010	--	IB,K(E)IN	KSFD	CX-NSZ310
O	PRINTED DU		8B-NFY-936-010	--	IB,EZ(9L)IN -SZ315(RDS)	EZSFD	CX-NSZ315
O	PRINTED DU		8B-NFY-937-010	--	IB,EZ(9L)IN	EZSFD	CX-NSZ310
X	PT	*	8B-NF9-642-010	--	PWB,PT 66-55 2M (ADK)	LHSFD	CX-NSZ310
0 X	PT	*	8B-NFK-630-010	--	PWB,PT 76 2M	LHSFD	CX-NSZ510
0 O	PT	CN 0001	87-A61-110-010	0E	CONN,9P V TID-A	LHSFD	CX-NSZ310
0 O	PT	CN 0001	87-A61-110-010	0E	CONN,9P V TID-A	LHSFD	CX-NSZ510
0 S	PT	D 0002	87-A40-291-080	0E	DIODE,1N4148M (CPT)	LHSFD	CX-NSZ310
0 S	PT	D 0002	87-A40-291-080	0E	DIODE,1N4148M (CPT)	LHSFD	CX-NSZ510
0 S	PT	D 0003	87-A40-291-080	0E	DIODE,1N4148M (CPT)	LHSFD	CX-NSZ310
0 S	PT	D 0003	87-A40-291-080	0E	DIODE,1N4148M (CPT)	LHSFD	CX-NSZ510
0 S	PT	D 0004	87-A40-291-080	0E	DIODE,1N4148M (CPT)	LHSFD	CX-NSZ310
0 S	PT	D 0004	87-A40-291-080	0E	DIODE,1N4148M (CPT)	LHSFD	CX-NSZ510
0 S	PT	D 0005	87-A40-291-080	0E	DIODE,1N4148M (CPT)	LHSFD	CX-NSZ310
0 S	PT	D 0005	87-A40-291-080	0E	DIODE,1N4148M (CPT)	LHSFD	CX-NSZ510
0 O	PT	PT 0002	8B-NF9-663-010	1C	PT,SUB BNF H (TAM)	LHSFD	CX-NSZ310
0 O	PT	RY 0001	87-A91-339-010	1B	RELAY,AC DC12V G5PA-2	LHSFD	CX-NSZ310
0 O	PT	RY 0001	87-A91-339-010	1B	RELAY,AC DC12V G5PA-2	LHSFD	CX-NSZ510
0 O	PT	S 0001	87-A90-165-010	1A	SW,SL 1-2-3 SWS2301	LHSFD	CX-NSZ310
0 O	PT	S 0001	87-A90-165-010	1A	SW,SL 1-2-3 SWS2301	LHSFD	CX-NSZ510
0 O	PT	T 0001	87-A60-317-010	0E	TERMINAL, 1P MSC	LHSFD	CX-NSZ310
0 O	PT	T 0001	87-A60-317-010	0E	TERMINAL, 1P MSC	LHSFD	CX-NSZ510
0 O	PT	T 0002	87-A60-317-010	0E	TERMINAL, 1P MSC	LHSFD	CX-NSZ310
0 O	PT	T 0002	87-A60-317-010	0E	TERMINAL, 1P MSC	LHSFD	CX-NSZ510
O	SCREW		87-067-584-010	0E	BVT2+3-6 W/O SL0T	EZSFD	CX-NSZ315
O	SCREW		87-067-641-010	0E	UTT2+3-8 W/O SLOT BLK	EZSFD	CX-NSZ315
0 O	SCREW		87-067-641-010	0E	UTT2+3-8 W/O SLOT BLK	EZSFD	CX-NSZ310
0 O	SCREW		87-067-641-010	0E	UTT2+3-8 W/O SLOT BLK	KSFD	CX-NSZ310
0 O	SCREW		87-067-641-010	0E	UTT2+3-8 W/O SLOT BLK	LHSFD	CX-NSZ310
0 O	SCREW		87-067-641-010	0E	UTT2+3-8 W/O SLOT BLK	LHSFD	CX-NSZ510
0 O	SCREW		87-067-641-010	0E	UTT2+3-8 W/O SLOT BLK	USM	CX-SNAJ310
O	SCREW		87-067-689-010	0E	BVTT+3-8	EZSFD	CX-NSZ315
0 O	SCREW		87-067-689-010	0E	BVTT+3-8	EZSFD	CX-NSZ310
0 O	SCREW		87-067-689-010	0E	BVTT+3-8	KSFD	CX-NSZ310
0 O	SCREW		87-067-689-010	0E	BVTT+3-8	LHSFD	CX-NSZ310

# PARTS LIST

! =  $\Delta$  SAFTY PARTS  
 C = Components marked

All components used on this model at the production line are shown in this service manual.

However, please note that not all components will be available as spare parts for after-sales service.

Components marked S and O are designated as spare parts for service and will be stocked at the spare parts centers.

Components marked X and R are not designated as spare parts for after sales service, and will not be stocked at the spare parts centers.

K NO. = Only use japanese.

! C	UNIT NAME	REF NO.	PARTS CODE	K NO.	DESCRIPTION	SUFFIX	MODEL NAME	
0 O	SCREW		87-067-689-010	0E	BVTT+3-8	LHSFD	CX-NSZ510	
0 O	SCREW		87-067-689-010	0E	BVTT+3-8	USM	CX-SNAJ310	
0 O	SCREW		87-067-703-010	0E	BVT2+3-10 W/O SLOT	EZSFD	CX-NSZ315	
0 O	SCREW		87-067-703-010	0E	BVT2+3-10 W/O SLOT	EZSFD	CX-NSZ310	
0 O	SCREW		87-067-703-010	0E	BVT2+3-10 W/O SLOT	KSFD	CX-NSZ310	
0 O	SCREW		87-067-703-010	0E	BVT2+3-10 W/O SLOT	LHSFD	CX-NSZ310	
0 O	SCREW		87-067-703-010	0E	BVT2+3-10 W/O SLOT	LHSFD	CX-NSZ510	
0 O	SCREW		87-067-703-010	0E	BVT2+3-10 W/O SLOT	USM	CX-SNAJ310	
0 O	SCREW		87-078-200-010	0E	S-SCREW, ITC+4-8 R	EZSFD	CX-NSZ315	
0 O	SCREW		87-078-200-010	0E	S-SCREW, ITC+4-8 R	EZSFD	CX-NSZ310	
0 O	SCREW		87-078-200-010	0E	S-SCREW, ITC+4-8 R	KSFD	CX-NSZ310	
0 O	SCREW		87-078-200-010	0E	S-SCREW, ITC+4-8 R	LHSFD	CX-NSZ310	
0 O	SCREW		87-078-200-010	0E	S-SCREW, ITC+4-8 R	LHSFD	CX-NSZ510	
0 O	SCREW		87-078-200-010	0E	S-SCREW, ITC+4-8 R	USM	CX-SNAJ310	
0 O	SCREW		87-721-096-410	0E	QT2+3-10 W/O SLOT	EZSFD	CX-NSZ315	
0 O	SCREW		87-721-096-410	0E	QT2+3-10 W/O SLOT	EZSFD	CX-NSZ310	
0 O	SCREW		87-721-096-410	0E	QT2+3-10 W/O SLOT	KSFD	CX-NSZ310	
0 O	SCREW		87-721-096-410	0E	QT2+3-10 W/O SLOT	LHSFD	CX-NSZ310	
0 O	SCREW		87-721-096-410	0E	QT2+3-10 W/O SLOT	LHSFD	CX-NSZ510	
0 O	SCREW		87-721-096-410	0E	QT2+3-10 W/O SLOT	USM	CX-SNAJ310	
0 O	SCREW		87-721-097-410	0E	QT2+3-12 W/O SLOT	EZSFD	CX-NSZ315	
0 O	SCREW		87-721-097-410	0E	QT2+3-12 W/O SLOT	EZSFD	CX-NSZ310	
0 O	SCREW		87-721-097-410	0E	QT2+3-12 W/O SLOT	KSFD	CX-NSZ310	
0 O	SCREW		87-721-097-410	0E	QT2+3-12 W/O SLOT	LHSFD	CX-NSZ310	
0 O	SCREW		87-721-097-410	0E	QT2+3-12 W/O SLOT	LHSFD	CX-NSZ510	
0 O	SCREW		87-721-097-410	0E	QT2+3-12 W/O SLOT	USM	CX-SNAJ310	
0 O	SCREW		87-723-096-410	0E	QT2+3-10 W/O SLOT BLK	EZSFD	CX-NSZ315	
0 O	SCREW		87-723-096-410	0E	QT2+3-10 W/O SLOT BLK	EZSFD	CX-NSZ310	
0 O	SCREW		87-723-096-410	0E	QT2+3-10 W/O SLOT BLK	KSFD	CX-NSZ310	
0 O	SCREW		87-723-096-410	0E	QT2+3-10 W/O SLOT BLK	LHSFD	CX-NSZ310	
0 O	SCREW		87-723-096-410	0E	QT2+3-10 W/O SLOT BLK	LHSFD	CX-NSZ510	
0 O	SCREW		87-723-096-410	0E	QT2+3-10 W/O SLOT BLK	USM	CX-SNAJ310	
0 O	SCREW		87-NF4-224-010	0E	S-SCREW, IT3B+3-8 CU	EZSFD	CX-NSZ315	
0 O	SCREW		87-NF4-224-010	0E	S-SCREW, IT3B+3-8 CU	EZSFD	CX-NSZ310	
0 O	SCREW		87-NF4-224-010	0E	S-SCREW, IT3B+3-8 CU	KSFD	CX-NSZ310	
0 O	SCREW		87-NF4-224-010	0E	S-SCREW, IT3B+3-8 CU	LHSFD	CX-NSZ310	
0 O	SCREW		87-NF4-224-010	0E	S-SCREW, IT3B+3-8 CU	LHSFD	CX-NSZ510	
0 O	SCREW		87-NF4-224-010	0E	S-SCREW, IT3B+3-8 CU	USM	CX-SNAJ310	
0 X	TAPE		M8-ZZM-390-040	--	ZZM-3 PR1NF	EZSFD	CX-NSZ315	
0 X	TAPE		M8-ZZM-390-040	--	ZZM-3 PR1NF	EZSFD	CX-NSZ310	
0 X	TAPE		M8-ZZM-390-040	--	ZZM-3 PR1NF	KSFD	CX-NSZ310	
0 X	TAPE		M8-ZZM-390-040	--	ZZM-3 PR1NF	LHSFD	CX-NSZ310	
0 X	TAPE		M8-ZZM-392-030	--	ZZM-3 PR1NM	LHSFD	CX-NSZ510	
0 X	TAPE		M8-ZZM-392-030	--	ZZM-3 PR1NM	USM	CX-SNAJ310	
0 O	TAPE DECK	C	0301	87-012-275-080	0E	C-CAP,U 1200P-50 K B GRM	EZSFD	CX-NSZ315
0 O	TAPE DECK	C	0301	87-012-275-080	0E	C-CAP,U 1200P-50 K B GRM	EZSFD	CX-NSZ310
0 O	TAPE DECK	C	0301	87-012-275-080	0E	C-CAP,U 1200P-50 K B GRM	KSFD	CX-NSZ310
0 O	TAPE DECK	C	0301	87-012-275-080	0E	C-CAP,U 1200P-50 K B GRM	LHSFD	CX-NSZ310
0 O	TAPE DECK	C	0301	87-012-275-080	0E	C-CAP,U 1200P-50 K B GRM	LHSFD	CX-NSZ510
0 O	TAPE DECK	C	0301	87-012-275-080	0E	C-CAP,U 1200P-50 K B GRM	USM	CX-SNAJ310
0 O	TAPE DECK	C	0302	87-012-275-080	0E	C-CAP,U 1200P-50 K B GRM	EZSFD	CX-NSZ315
0 O	TAPE DECK	C	0302	87-012-275-080	0E	C-CAP,U 1200P-50 K B GRM	EZSFD	CX-NSZ310
0 O	TAPE DECK	C	0302	87-012-275-080	0E	C-CAP,U 1200P-50 K B GRM	KSFD	CX-NSZ310
0 O	TAPE DECK	C	0302	87-012-275-080	0E	C-CAP,U 1200P-50 K B GRM	LHSFD	CX-NSZ310
0 O	TAPE DECK	C	0302	87-012-275-080	0E	C-CAP,U 1200P-50 K B GRM	LHSFD	CX-NSZ510
0 O	TAPE DECK	C	0302	87-012-275-080	0E	C-CAP,U 1200P-50 K B GRM	USM	CX-SNAJ310
0 O	TAPE DECK	C	0303	87-012-275-080	0E	C-CAP,U 1200P-50 K B GRM	EZSFD	CX-NSZ315
0 O	TAPE DECK	C	0303	87-012-275-080	0E	C-CAP,U 1200P-50 K B GRM	EZSFD	CX-NSZ310
0 O	TAPE DECK	C	0303	87-012-275-080	0E	C-CAP,U 1200P-50 K B GRM	KSFD	CX-NSZ310
0 O	TAPE DECK	C	0303	87-012-275-080	0E	C-CAP,U 1200P-50 K B GRM	LHSFD	CX-NSZ310
0 O	TAPE DECK	C	0303	87-012-275-080	0E	C-CAP,U 1200P-50 K B GRM	LHSFD	CX-NSZ510
0 O	TAPE DECK	C	0303	87-012-275-080	0E	C-CAP,U 1200P-50 K B GRM	USM	CX-SNAJ310
0 O	TAPE DECK	C	0304	87-012-275-080	0E	C-CAP,U 1200P-50 K B GRM	EZSFD	CX-NSZ315
0 O	TAPE DECK	C	0304	87-012-275-080	0E	C-CAP,U 1200P-50 K B GRM	EZSFD	CX-NSZ310
0 O	TAPE DECK	C	0304	87-012-275-080	0E	C-CAP,U 1200P-50 K B GRM	KSFD	CX-NSZ310
0 O	TAPE DECK	C	0304	87-012-275-080	0E	C-CAP,U 1200P-50 K B GRM	LHSFD	CX-NSZ310
0 O	TAPE DECK	C	0304	87-012-275-080	0E	C-CAP,U 1200P-50 K B GRM	LHSFD	CX-NSZ510
0 O	TAPE DECK	C	0304	87-012-275-080	0E	C-CAP,U 1200P-50 K B GRM	USM	CX-SNAJ310
0 O	TAPE DECK	C	0307	87-A12-062-080	0E	CAP,E 100-10 SMG	EZSFD	CX-NSZ315
0 O	TAPE DECK	C	0307	87-A12-062-080	0E	CAP,E 100-10 SMG	EZSFD	CX-NSZ310

# PARTS LIST

! =  $\Delta$  SAFTY PARTS  
 C = Components marked

All components used on this model at the production line are shown in this service manual.

However, please note that not all components will be available as spare parts for after-sales service.

Components marked S and O are designated as spare parts for service and will be stocked at the spare parts centers.

Components marked X and R are not designated as spare parts for after sales service, and will not be stocked at the spare parts centers.

K NO. = Only use japanese.

! C	UNIT NAME	REF NO.	PARTS CODE	K NO.	DESCRIPTION	SUFFIX	MODEL NAME
0 O	TAPE DECK	C 0307	87-A12-062-080	0E	CAP,E 100-10 SMG	KSFD	CX-NSZ310
0 O	TAPE DECK	C 0307	87-A12-062-080	0E	CAP,E 100-10 SMG	LHSFD	CX-NSZ310
0 O	TAPE DECK	C 0307	87-A12-062-080	0E	CAP,E 100-10 SMG	LHSFD	CX-NSZ510
0 O	TAPE DECK	C 0307	87-A12-062-080	0E	CAP,E 100-10 SMG	USM	CX-SNAJ310
0 O	TAPE DECK	C 0308	87-A12-062-080	0E	CAP,E 100-10 SMG	EZSFD	CX-NSZ315
0 O	TAPE DECK	C 0308	87-A12-062-080	0E	CAP,E 100-10 SMG	EZSFD	CX-NSZ310
0 O	TAPE DECK	C 0308	87-A12-062-080	0E	CAP,E 100-10 SMG	KSFD	CX-NSZ310
0 O	TAPE DECK	C 0308	87-A12-062-080	0E	CAP,E 100-10 SMG	LHSFD	CX-NSZ310
0 O	TAPE DECK	C 0308	87-A12-062-080	0E	CAP,E 100-10 SMG	LHSFD	CX-NSZ510
0 O	TAPE DECK	C 0308	87-A12-062-080	0E	CAP,E 100-10 SMG	USM	CX-SNAJ310
0 O	TAPE DECK	C 0309	87-012-188-080	0E	C-CAP,U 47P-50 J CH	EZSFD	CX-NSZ315
0 O	TAPE DECK	C 0309	87-012-188-080	0E	C-CAP,U 47P-50 J CH	EZSFD	CX-NSZ310
0 O	TAPE DECK	C 0309	87-012-188-080	0E	C-CAP,U 47P-50 J CH	KSFD	CX-NSZ310
0 O	TAPE DECK	C 0309	87-012-188-080	0E	C-CAP,U 47P-50 J CH	LHSFD	CX-NSZ310
0 O	TAPE DECK	C 0309	87-012-188-080	0E	C-CAP,U 47P-50 J CH	LHSFD	CX-NSZ510
0 O	TAPE DECK	C 0309	87-012-188-080	0E	C-CAP,U 47P-50 J CH	USM	CX-SNAJ310
0 O	TAPE DECK	C 0310	87-012-188-080	0E	C-CAP,U 47P-50 J CH	EZSFD	CX-NSZ315
0 O	TAPE DECK	C 0310	87-012-188-080	0E	C-CAP,U 47P-50 J CH	EZSFD	CX-NSZ310
0 O	TAPE DECK	C 0310	87-012-188-080	0E	C-CAP,U 47P-50 J CH	KSFD	CX-NSZ310
0 O	TAPE DECK	C 0310	87-012-188-080	0E	C-CAP,U 47P-50 J CH	LHSFD	CX-NSZ310
0 O	TAPE DECK	C 0310	87-012-188-080	0E	C-CAP,U 47P-50 J CH	LHSFD	CX-NSZ510
0 O	TAPE DECK	C 0310	87-012-188-080	0E	C-CAP,U 47P-50 J CH	USM	CX-SNAJ310
0 O	TAPE DECK	C 0313	87-012-284-080	0E	C-CAP,U 6800P-50 K B GRM	EZSFD	CX-NSZ315
0 O	TAPE DECK	C 0313	87-012-284-080	0E	C-CAP,U 6800P-50 K B GRM	EZSFD	CX-NSZ310
0 O	TAPE DECK	C 0313	87-012-284-080	0E	C-CAP,U 6800P-50 K B GRM	KSFD	CX-NSZ310
0 O	TAPE DECK	C 0313	87-012-284-080	0E	C-CAP,U 6800P-50 K B GRM	LHSFD	CX-NSZ310
0 O	TAPE DECK	C 0313	87-012-284-080	0E	C-CAP,U 6800P-50 K B GRM	LHSFD	CX-NSZ510
0 O	TAPE DECK	C 0313	87-012-284-080	0E	C-CAP,U 6800P-50 K B GRM	USM	CX-SNAJ310
0 O	TAPE DECK	C 0314	87-012-284-080	0E	C-CAP,U 6800P-50 K B GRM	EZSFD	CX-NSZ315
0 O	TAPE DECK	C 0314	87-012-284-080	0E	C-CAP,U 6800P-50 K B GRM	EZSFD	CX-NSZ310
0 O	TAPE DECK	C 0314	87-012-284-080	0E	C-CAP,U 6800P-50 K B GRM	KSFD	CX-NSZ310
0 O	TAPE DECK	C 0314	87-012-284-080	0E	C-CAP,U 6800P-50 K B GRM	LHSFD	CX-NSZ310
0 O	TAPE DECK	C 0314	87-012-284-080	0E	C-CAP,U 6800P-50 K B GRM	LHSFD	CX-NSZ510
0 O	TAPE DECK	C 0314	87-012-284-080	0E	C-CAP,U 6800P-50 K B GRM	USM	CX-SNAJ310
0 O	TAPE DECK	C 0315	87-A12-062-080	0E	CAP,E 100-10 SMG	EZSFD	CX-NSZ315
0 O	TAPE DECK	C 0315	87-A12-062-080	0E	CAP,E 100-10 SMG	EZSFD	CX-NSZ310
0 O	TAPE DECK	C 0315	87-A12-062-080	0E	CAP,E 100-10 SMG	KSFD	CX-NSZ310
0 O	TAPE DECK	C 0315	87-A12-062-080	0E	CAP,E 100-10 SMG	LHSFD	CX-NSZ310
0 O	TAPE DECK	C 0315	87-A12-062-080	0E	CAP,E 100-10 SMG	LHSFD	CX-NSZ510
0 O	TAPE DECK	C 0315	87-A12-062-080	0E	CAP,E 100-10 SMG	USM	CX-SNAJ310
0 O	TAPE DECK	C 0317	87-A12-085-080	0E	CAP,E 0.33-50 SMG	EZSFD	CX-NSZ315
0 O	TAPE DECK	C 0317	87-A12-085-080	0E	CAP,E 0.33-50 SMG	EZSFD	CX-NSZ310
0 O	TAPE DECK	C 0317	87-A12-085-080	0E	CAP,E 0.33-50 SMG	KSFD	CX-NSZ310
0 O	TAPE DECK	C 0317	87-A12-085-080	0E	CAP,E 0.33-50 SMG	LHSFD	CX-NSZ310
0 O	TAPE DECK	C 0317	87-A12-085-080	0E	CAP,E 0.33-50 SMG	LHSFD	CX-NSZ510
0 O	TAPE DECK	C 0317	87-A12-085-080	0E	CAP,E 0.33-50 SMG	USM	CX-SNAJ310
0 O	TAPE DECK	C 0318	87-A12-085-080	0E	CAP,E 0.33-50 SMG	EZSFD	CX-NSZ315
0 O	TAPE DECK	C 0318	87-A12-085-080	0E	CAP,E 0.33-50 SMG	EZSFD	CX-NSZ310
0 O	TAPE DECK	C 0318	87-A12-085-080	0E	CAP,E 0.33-50 SMG	KSFD	CX-NSZ310
0 O	TAPE DECK	C 0318	87-A12-085-080	0E	CAP,E 0.33-50 SMG	LHSFD	CX-NSZ310
0 O	TAPE DECK	C 0318	87-A12-085-080	0E	CAP,E 0.33-50 SMG	LHSFD	CX-NSZ510
0 O	TAPE DECK	C 0318	87-A12-085-080	0E	CAP,E 0.33-50 SMG	USM	CX-SNAJ310
0 O	TAPE DECK	C 0326	87-010-787-080	0E	C-CAP,U 0.022-25 K B	EZSFD	CX-NSZ315
0 O	TAPE DECK	C 0326	87-010-787-080	0E	C-CAP,U 0.022-25 K B	EZSFD	CX-NSZ310
0 O	TAPE DECK	C 0326	87-010-787-080	0E	C-CAP,U 0.022-25 K B	KSFD	CX-NSZ310
0 O	TAPE DECK	C 0326	87-010-787-080	0E	C-CAP,U 0.022-25 K B	LHSFD	CX-NSZ310
0 O	TAPE DECK	C 0326	87-010-787-080	0E	C-CAP,U 0.022-25 K B	LHSFD	CX-NSZ510
0 O	TAPE DECK	C 0326	87-010-787-080	0E	C-CAP,U 0.022-25 K B	USM	CX-SNAJ310
0 O	TAPE DECK	C 0327	87-010-831-080	0E	C-CAP,U 0.1-16 Z F	EZSFD	CX-NSZ315
0 O	TAPE DECK	C 0327	87-010-831-080	0E	C-CAP,U 0.1-16 Z F	EZSFD	CX-NSZ310
0 O	TAPE DECK	C 0327	87-010-831-080	0E	C-CAP,U 0.1-16 Z F	KSFD	CX-NSZ310
0 O	TAPE DECK	C 0327	87-010-831-080	0E	C-CAP,U 0.1-16 Z F	LHSFD	CX-NSZ310
0 O	TAPE DECK	C 0327	87-010-831-080	0E	C-CAP,U 0.1-16 Z F	LHSFD	CX-NSZ510
0 O	TAPE DECK	C 0327	87-010-831-080	0E	C-CAP,U 0.1-16 Z F	USM	CX-SNAJ310
0 O	TAPE DECK	C 0350	87-012-286-080	0E	C-CAP,U 0.01-25 K B	EZSFD	CX-NSZ315
0 O	TAPE DECK	C 0350	87-012-286-080	0E	C-CAP,U 0.01-25 K B	EZSFD	CX-NSZ310
0 O	TAPE DECK	C 0350	87-012-286-080	0E	C-CAP,U 0.01-25 K B	KSFD	CX-NSZ310
0 O	TAPE DECK	C 0350	87-012-286-080	0E	C-CAP,U 0.01-25 K B	LHSFD	CX-NSZ310
0 O	TAPE DECK	C 0360	87-A12-087-080	0E	CAP,E 1-50 SMG	EZSFD	CX-NSZ315
0 O	TAPE DECK	C 0360	87-A12-087-080	0E	CAP,E 1-50 SMG	EZSFD	CX-NSZ310
0 O	TAPE DECK	C 0360	87-A12-087-080	0E	CAP,E 1-50 SMG	KSFD	CX-NSZ310

# PARTS LIST

! =  $\triangle$  SAFTY PARTS  
 C = Components marked

All components used on this model at the production line are shown in this service manual.

However, please note that not all components will be available as spare parts for after-sales service.

Components marked S and O are designated as spare parts for service and will be stocked at the spare parts centers.

Components marked X and R are not designated as spare parts for after sales service, and will not be stocked at the spare parts centers.

K NO. = Only use japanese.

! C	UNIT NAME	REF NO.	PARTS CODE	K NO.	DESCRIPTION	SUFFIX	MODEL NAME
0 O	TAPE DECK	C	0360 87-A12-087-080	0E	CAP,E 1-50 SMG	LHSFD	CX-NSZ310
0 O	TAPE DECK	C	0360 87-A12-087-080	0E	CAP,E 1-50 SMG	LHSFD	CX-NSZ510
0 O	TAPE DECK	C	0360 87-A12-087-080	0E	CAP,E 1-50 SMG	USM	CX-SNAJ310
0 O	TAPE DECK	C	0399 87-A10-039-080	0E	C-CAP,U 470P-50 J CH	EZSFD	CX-NSZ315
0 O	TAPE DECK	C	0399 87-A10-039-080	0E	C-CAP,U 470P-50 J CH	EZSFD	CX-NSZ310
0 O	TAPE DECK	C	0399 87-A10-039-080	0E	C-CAP,U 470P-50 J CH	KSFD	CX-NSZ310
0 O	TAPE DECK	C	0399 87-A10-039-080	0E	C-CAP,U 470P-50 J CH	LHSFD	CX-NSZ310
0 O	TAPE DECK	C	0399 87-A10-039-080	0E	C-CAP,U 470P-50 J CH	LHSFD	CX-NSZ510
0 O	TAPE DECK	C	0399 87-A10-039-080	0E	C-CAP,U 470P-50 J CH	USM	CX-SNAJ310
0 O	TAPE DECK	C	0401 87-A12-083-080	0E	CAP,E 0.1-50 SMG	EZSFD	CX-NSZ315
0 O	TAPE DECK	C	0401 87-A12-083-080	0E	CAP,E 0.1-50 SMG	EZSFD	CX-NSZ310
0 O	TAPE DECK	C	0401 87-A12-083-080	0E	CAP,E 0.1-50 SMG	KSFD	CX-NSZ310
0 O	TAPE DECK	C	0401 87-A12-083-080	0E	CAP,E 0.1-50 SMG	LHSFD	CX-NSZ310
0 O	TAPE DECK	C	0401 87-A12-083-080	0E	CAP,E 0.1-50 SMG	LHSFD	CX-NSZ510
0 O	TAPE DECK	C	0401 87-A12-083-080	0E	CAP,E 0.1-50 SMG	USM	CX-SNAJ310
0 O	TAPE DECK	C	0402 87-A12-083-080	0E	CAP,E 0.1-50 SMG	EZSFD	CX-NSZ315
0 O	TAPE DECK	C	0402 87-A12-083-080	0E	CAP,E 0.1-50 SMG	EZSFD	CX-NSZ310
0 O	TAPE DECK	C	0402 87-A12-083-080	0E	CAP,E 0.1-50 SMG	KSFD	CX-NSZ310
0 O	TAPE DECK	C	0402 87-A12-083-080	0E	CAP,E 0.1-50 SMG	LHSFD	CX-NSZ310
0 O	TAPE DECK	C	0402 87-A12-083-080	0E	CAP,E 0.1-50 SMG	LHSFD	CX-NSZ510
0 O	TAPE DECK	C	0402 87-A12-083-080	0E	CAP,E 0.1-50 SMG	LHSFD	CX-NSZ310
0 O	TAPE DECK	C	0403 87-012-193-080	0E	CAP,E 0.1-50 SMG	USM	CX-SNAJ310
0 O	TAPE DECK	C	0403 87-012-193-080	0E	C-CAP,U 82P-50 J CH	EZSFD	CX-NSZ315
0 O	TAPE DECK	C	0403 87-012-193-080	0E	C-CAP,U 82P-50 J CH	EZSFD	CX-NSZ310
0 O	TAPE DECK	C	0403 87-012-193-080	0E	C-CAP,U 82P-50 J CH	KSFD	CX-NSZ310
0 O	TAPE DECK	C	0403 87-012-193-080	0E	C-CAP,U 82P-50 J CH	LHSFD	CX-NSZ310
0 O	TAPE DECK	C	0403 87-012-193-080	0E	C-CAP,U 82P-50 J CH	LHSFD	CX-NSZ510
0 O	TAPE DECK	C	0403 87-012-193-080	0E	C-CAP,U 82P-50 J CH	USM	CX-SNAJ310
0 O	TAPE DECK	C	0404 87-012-193-080	0E	C-CAP,U 82P-50 J CH	EZSFD	CX-NSZ315
0 O	TAPE DECK	C	0404 87-012-193-080	0E	C-CAP,U 82P-50 J CH	EZSFD	CX-NSZ310
0 O	TAPE DECK	C	0404 87-012-193-080	0E	C-CAP,U 82P-50 J CH	KSFD	CX-NSZ310
0 O	TAPE DECK	C	0404 87-012-193-080	0E	C-CAP,U 82P-50 J CH	LHSFD	CX-NSZ310
0 O	TAPE DECK	C	0404 87-012-193-080	0E	C-CAP,U 82P-50 J CH	LHSFD	CX-NSZ510
0 O	TAPE DECK	C	0404 87-012-193-080	0E	C-CAP,U 82P-50 J CH	USM	CX-SNAJ310
0 O	TAPE DECK	C	0405 87-012-286-080	0E	C-CAP,U 0.01-25 K B	EZSFD	CX-NSZ315
0 O	TAPE DECK	C	0405 87-012-286-080	0E	C-CAP,U 0.01-25 K B	EZSFD	CX-NSZ310
0 O	TAPE DECK	C	0405 87-012-286-080	0E	C-CAP,U 0.01-25 K B	KSFD	CX-NSZ310
0 O	TAPE DECK	C	0405 87-012-286-080	0E	C-CAP,U 0.01-25 K B	LHSFD	CX-NSZ310
0 O	TAPE DECK	C	0405 87-012-286-080	0E	C-CAP,U 0.01-25 K B	LHSFD	CX-NSZ510
0 O	TAPE DECK	C	0405 87-012-286-080	0E	C-CAP,U 0.01-25 K B	USM	CX-SNAJ310
0 O	TAPE DECK	C	0406 87-012-286-080	0E	C-CAP,U 0.01-25 K B	EZSFD	CX-NSZ315
0 O	TAPE DECK	C	0406 87-012-286-080	0E	C-CAP,U 0.01-25 K B	EZSFD	CX-NSZ310
0 O	TAPE DECK	C	0406 87-012-286-080	0E	C-CAP,U 0.01-25 K B	KSFD	CX-NSZ310
0 O	TAPE DECK	C	0406 87-012-286-080	0E	C-CAP,U 0.01-25 K B	LHSFD	CX-NSZ310
0 O	TAPE DECK	C	0406 87-012-286-080	0E	C-CAP,U 0.01-25 K B	LHSFD	CX-NSZ510
0 O	TAPE DECK	C	0406 87-012-286-080	0E	C-CAP,U 0.01-25 K B	USM	CX-SNAJ310
0 O	TAPE DECK	C	0407 87-012-286-080	0E	C-CAP,U 0.01-25 K B	EZSFD	CX-NSZ315
0 O	TAPE DECK	C	0407 87-012-286-080	0E	C-CAP,U 0.01-25 K B	EZSFD	CX-NSZ310
0 O	TAPE DECK	C	0407 87-012-286-080	0E	C-CAP,U 0.01-25 K B	KSFD	CX-NSZ310
0 O	TAPE DECK	C	0407 87-012-286-080	0E	C-CAP,U 0.01-25 K B	LHSFD	CX-NSZ310
0 O	TAPE DECK	C	0407 87-012-286-080	0E	C-CAP,U 0.01-25 K B	LHSFD	CX-NSZ510
0 O	TAPE DECK	C	0407 87-012-286-080	0E	C-CAP,U 0.01-25 K B	USM	CX-SNAJ310
0 O	TAPE DECK	C	0408 87-012-286-080	0E	C-CAP,U 0.01-25 K B	EZSFD	CX-NSZ315
0 O	TAPE DECK	C	0408 87-012-286-080	0E	C-CAP,U 0.01-25 K B	EZSFD	CX-NSZ310
0 O	TAPE DECK	C	0408 87-012-286-080	0E	C-CAP,U 0.01-25 K B	KSFD	CX-NSZ310
0 O	TAPE DECK	C	0408 87-012-286-080	0E	C-CAP,U 0.01-25 K B	LHSFD	CX-NSZ310
0 O	TAPE DECK	C	0408 87-012-286-080	0E	C-CAP,U 0.01-25 K B	LHSFD	CX-NSZ510
0 O	TAPE DECK	C	0408 87-012-286-080	0E	C-CAP,U 0.01-25 K B	USM	CX-SNAJ310
0 O	TAPE DECK	C	0409 87-012-278-080	0E	C-CAP,U 2200P-50 K B	EZSFD	CX-NSZ315
0 O	TAPE DECK	C	0409 87-012-278-080	0E	C-CAP,U 2200P-50 K B	EZSFD	CX-NSZ310
0 O	TAPE DECK	C	0409 87-012-278-080	0E	C-CAP,U 2200P-50 K B	KSFD	CX-NSZ310
0 O	TAPE DECK	C	0409 87-012-278-080	0E	C-CAP,U 2200P-50 K B	LHSFD	CX-NSZ310
0 O	TAPE DECK	C	0409 87-012-278-080	0E	C-CAP,U 2200P-50 K B	LHSFD	CX-NSZ510
0 O	TAPE DECK	C	0409 87-012-278-080	0E	C-CAP,U 2200P-50 K B	USM	CX-SNAJ310
0 O	TAPE DECK	C	0410 87-012-278-080	0E	C-CAP,U 2200P-50 K B	EZSFD	CX-NSZ315
0 O	TAPE DECK	C	0410 87-012-278-080	0E	C-CAP,U 2200P-50 K B	EZSFD	CX-NSZ310
0 O	TAPE DECK	C	0410 87-012-278-080	0E	C-CAP,U 2200P-50 K B	KSFD	CX-NSZ310
0 O	TAPE DECK	C	0410 87-012-278-080	0E	C-CAP,U 2200P-50 K B	LHSFD	CX-NSZ310
0 O	TAPE DECK	C	0410 87-012-278-080	0E	C-CAP,U 2200P-50 K B	LHSFD	CX-NSZ510
0 O	TAPE DECK	C	0410 87-012-278-080	0E	C-CAP,U 2200P-50 K B	USM	CX-SNAJ310
0 O	TAPE DECK	C	0411 87-A12-091-080	0E	CAP,E 10-50 SMG	EZSFD	CX-NSZ315

# PARTS LIST

! =  $\Delta$  SAFTY PARTS  
 C = Components marked

All components used on this model at the production line are shown in this service manual.

However, please note that not all components will be available as spare parts for after-sales service.

Components marked S and O are designated as spare parts for service and will be stocked at the spare parts centers.

Components marked X and R are not designated as spare parts for after sales service, and will not be stocked at the spare parts centers.

K NO. = Only use japanese.

! C	UNIT NAME	REF NO.	PARTS CODE	K NO.	DESCRIPTION	SUFFIX	MODEL NAME
0 O	TAPE DECK	C 0411	87-A12-091-080	0E	CAP,E 10-50 SMG	EZSFD	CX-NSZ310
0 O	TAPE DECK	C 0411	87-A12-091-080	0E	CAP,E 10-50 SMG	KSFD	CX-NSZ310
0 O	TAPE DECK	C 0411	87-A12-091-080	0E	CAP,E 10-50 SMG	LHSFD	CX-NSZ310
0 O	TAPE DECK	C 0411	87-A12-091-080	0E	CAP,E 10-50 SMG	LHSFD	CX-NSZ510
0 O	TAPE DECK	C 0411	87-A12-091-080	0E	CAP,E 10-50 SMG	USM	CX-SNAJ310
0 O	TAPE DECK	C 0412	87-A12-091-080	0E	CAP,E 10-50 SMG	EZSFD	CX-NSZ315
0 O	TAPE DECK	C 0412	87-A12-091-080	0E	CAP,E 10-50 SMG	EZSFD	CX-NSZ310
0 O	TAPE DECK	C 0412	87-A12-091-080	0E	CAP,E 10-50 SMG	KSFD	CX-NSZ310
0 O	TAPE DECK	C 0412	87-A12-091-080	0E	CAP,E 10-50 SMG	LHSFD	CX-NSZ310
0 O	TAPE DECK	C 0412	87-A12-091-080	0E	CAP,E 10-50 SMG	LHSFD	CX-NSZ510
0 O	TAPE DECK	C 0412	87-A12-091-080	0E	CAP,E 10-50 SMG	USM	CX-SNAJ310
0 O	TAPE DECK	C 0452	87-A12-069-080	0E	CAP,E 22-25 SMG	EZSFD	CX-NSZ315
0 O	TAPE DECK	C 0452	87-A12-069-080	0E	CAP,E 22-25 SMG	EZSFD	CX-NSZ310
0 O	TAPE DECK	C 0452	87-A12-069-080	0E	CAP,E 22-25 SMG	KSFD	CX-NSZ310
0 O	TAPE DECK	C 0452	87-A12-069-080	0E	CAP,E 22-25 SMG	LHSFD	CX-NSZ310
0 O	TAPE DECK	C 0452	87-A12-069-080	0E	CAP,E 22-25 SMG	LHSFD	CX-NSZ510
0 O	TAPE DECK	C 0452	87-A12-069-080	0E	CAP,E 22-25 SMG	USM	CX-SNAJ310
0 O	TAPE DECK	C 0453	87-012-279-080	0E	C-CAP,U 2700P-50 K B GRM	EZSFD	CX-NSZ315
0 O	TAPE DECK	C 0453	87-012-279-080	0E	C-CAP,U 2700P-50 K B GRM	EZSFD	CX-NSZ310
0 O	TAPE DECK	C 0453	87-012-279-080	0E	C-CAP,U 2700P-50 K B GRM	KSFD	CX-NSZ310
0 O	TAPE DECK	C 0453	87-012-279-080	0E	C-CAP,U 2700P-50 K B GRM	LHSFD	CX-NSZ310
0 O	TAPE DECK	C 0453	87-012-279-080	0E	C-CAP,U 2700P-50 K B GRM	LHSFD	CX-NSZ510
0 O	TAPE DECK	C 0453	87-012-279-080	0E	C-CAP,U 2700P-50 K B GRM	USM	CX-SNAJ310
0 O	TAPE DECK	C 0454	87-012-279-080	0E	C-CAP,U 2700P-50 K B GRM	EZSFD	CX-NSZ315
0 O	TAPE DECK	C 0454	87-012-279-080	0E	C-CAP,U 2700P-50 K B GRM	EZSFD	CX-NSZ310
0 O	TAPE DECK	C 0454	87-012-279-080	0E	C-CAP,U 2700P-50 K B GRM	KSFD	CX-NSZ310
0 O	TAPE DECK	C 0454	87-012-279-080	0E	C-CAP,U 2700P-50 K B GRM	LHSFD	CX-NSZ310
0 O	TAPE DECK	C 0454	87-012-279-080	0E	C-CAP,U 2700P-50 K B GRM	LHSFD	CX-NSZ510
0 O	TAPE DECK	C 0454	87-012-279-080	0E	C-CAP,U 2700P-50 K B GRM	USM	CX-SNAJ310
0 O	TAPE DECK	C 0455	87-012-279-080	0E	C-CAP,U 2700P-50 K B GRM	EZSFD	CX-NSZ315
0 O	TAPE DECK	C 0455	87-012-279-080	0E	C-CAP,U 2700P-50 K B GRM	EZSFD	CX-NSZ310
0 O	TAPE DECK	C 0455	87-012-279-080	0E	C-CAP,U 2700P-50 K B GRM	KSFD	CX-NSZ310
0 O	TAPE DECK	C 0455	87-012-279-080	0E	C-CAP,U 2700P-50 K B GRM	LHSFD	CX-NSZ310
0 O	TAPE DECK	C 0455	87-012-279-080	0E	C-CAP,U 2700P-50 K B GRM	LHSFD	CX-NSZ510
0 O	TAPE DECK	C 0455	87-012-279-080	0E	C-CAP,U 2700P-50 K B GRM	USM	CX-SNAJ310
0 O	TAPE DECK	C 0456	87-012-286-080	0E	C-CAP,U 0.01-25 K B	EZSFD	CX-NSZ315
0 O	TAPE DECK	C 0456	87-012-286-080	0E	C-CAP,U 0.01-25 K B	EZSFD	CX-NSZ310
0 O	TAPE DECK	C 0456	87-012-286-080	0E	C-CAP,U 0.01-25 K B	KSFD	CX-NSZ310
0 O	TAPE DECK	C 0456	87-012-286-080	0E	C-CAP,U 0.01-25 K B	LHSFD	CX-NSZ310
0 O	TAPE DECK	C 0456	87-012-286-080	0E	C-CAP,U 0.01-25 K B	LHSFD	CX-NSZ510
0 O	TAPE DECK	C 0456	87-012-286-080	0E	C-CAP,U 0.01-25 K B	USM	CX-SNAJ310
0 O	TAPE DECK	C 0457	87-A12-361-080	0E	CAP,M 5600P-100 J CP	EZSFD	CX-NSZ315
0 O	TAPE DECK	C 0457	87-A12-361-080	0E	CAP,M 5600P-100 J CP	EZSFD	CX-NSZ310
0 O	TAPE DECK	C 0457	87-A12-361-080	0E	CAP,M 5600P-100 J CP	KSFD	CX-NSZ310
0 O	TAPE DECK	C 0457	87-A12-361-080	0E	CAP,M 5600P-100 J CP	LHSFD	CX-NSZ310
0 O	TAPE DECK	C 0457	87-A12-361-080	0E	CAP,M 5600P-100 J CP	LHSFD	CX-NSZ510
0 O	TAPE DECK	C 0457	87-A12-361-080	0E	CAP,M 5600P-100 J CP	USM	CX-SNAJ310
0 O	TAPE DECK	C 0458	87-012-274-080	0E	C-CAP,U 1000P-50 K B	EZSFD	CX-NSZ315
0 O	TAPE DECK	C 0458	87-012-274-080	0E	C-CAP,U 1000P-50 K B	EZSFD	CX-NSZ310
0 O	TAPE DECK	C 0458	87-012-274-080	0E	C-CAP,U 1000P-50 K B	KSFD	CX-NSZ310
0 O	TAPE DECK	C 0458	87-012-274-080	0E	C-CAP,U 1000P-50 K B	LHSFD	CX-NSZ310
0 O	TAPE DECK	C 0458	87-012-274-080	0E	C-CAP,U 1000P-50 K B	LHSFD	CX-NSZ510
0 O	TAPE DECK	C 0459	87-012-271-080	0E	C-CAP,U 560P-50 K B	EZSFD	CX-NSZ315
0 O	TAPE DECK	C 0459	87-012-271-080	0E	C-CAP,U 560P-50 K B	EZSFD	CX-NSZ310
0 O	TAPE DECK	C 0459	87-012-271-080	0E	C-CAP,U 560P-50 K B	KSFD	CX-NSZ310
0 O	TAPE DECK	C 0459	87-012-271-080	0E	C-CAP,U 560P-50 K B	LHSFD	CX-NSZ310
0 O	TAPE DECK	C 0459	87-012-271-080	0E	C-CAP,U 560P-50 K B	LHSFD	CX-NSZ510
0 O	TAPE DECK	C 0459	87-012-271-080	0E	C-CAP,U 560P-50 K B	USM	CX-SNAJ310
0 O	TAPE DECK	C 0460	87-010-831-080	0E	C-CAP,U 0.1-16 Z F	EZSFD	CX-NSZ315
0 O	TAPE DECK	C 0460	87-010-831-080	0E	C-CAP,U 0.1-16 Z F	EZSFD	CX-NSZ310
0 O	TAPE DECK	C 0460	87-010-831-080	0E	C-CAP,U 0.1-16 Z F	KSFD	CX-NSZ310
0 O	TAPE DECK	C 0460	87-010-831-080	0E	C-CAP,U 0.1-16 Z F	LHSFD	CX-NSZ310
0 O	TAPE DECK	C 0460	87-010-831-080	0E	C-CAP,U 0.1-16 Z F	LHSFD	CX-NSZ510
0 O	TAPE DECK	C 0460	87-010-831-080	0E	C-CAP,U 0.1-16 Z F	USM	CX-SNAJ310
0 O	TAPE DECK	C 0461	87-012-158-080	0E	C-CAP,S 390P-50 J CH GRM	EZSFD	CX-NSZ315
0 O	TAPE DECK	C 0461	87-012-158-080	0E	C-CAP,S 390P-50 J CH GRM	EZSFD	CX-NSZ310
0 O	TAPE DECK	C 0461	87-012-158-080	0E	C-CAP,S 390P-50 J CH GRM	KSFD	CX-NSZ310
0 O	TAPE DECK	C 0461	87-012-158-080	0E	C-CAP,S 390P-50 J CH GRM	LHSFD	CX-NSZ310
0 O	TAPE DECK	C 0461	87-012-158-080	0E	C-CAP,S 390P-50 J CH GRM	LHSFD	CX-NSZ510

# PARTS LIST

! =  $\Delta$  SAFTY PARTS  
 C = Components marked

All components used on this model at the production line are shown in this service manual.

However, please note that not all components will be available as spare parts for after-sales service.

Components marked S and O are designated as spare parts for service and will be stocked at the spare parts centers.

Components marked X and R are not designated as spare parts for after sales service, and will not be stocked at the spare parts centers.

K NO. = Only use japanese.

! C	UNIT NAME	REF NO.	PARTS CODE	K NO.	DESCRIPTION	SUFFIX	MODEL NAME
0 O	TAPE DECK	C 0461	87-012-158-080	0E	C-CAP,S 390P-50 J CH GRM	USM	CX-SNAJ310
0 O	TAPE DECK	C 0462	87-012-158-080	0E	C-CAP,S 390P-50 J CH GRM	EZSFD	CX-NSZ315
0 O	TAPE DECK	C 0462	87-012-158-080	0E	C-CAP,S 390P-50 J CH GRM	EZSFD	CX-NSZ310
0 O	TAPE DECK	C 0462	87-012-158-080	0E	C-CAP,S 390P-50 J CH GRM	KSFD	CX-SNAJ310
0 O	TAPE DECK	C 0462	87-012-158-080	0E	C-CAP,S 390P-50 J CH GRM	LHSFD	CX-NSZ310
0 O	TAPE DECK	C 0462	87-012-158-080	0E	C-CAP,S 390P-50 J CH GRM	LHSFD	CX-NSZ510
0 O	TAPE DECK	C 0462	87-012-158-080	0E	C-CAP,S 390P-50 J CH GRM	USM	CX-SNAJ310
0 O	TAPE DECK	C 0470	87-018-127-080	0E	CAP,TC U 470P-50 K B UP050	EZSFD	CX-NSZ315
0 O	TAPE DECK	C 0470	87-018-127-080	0E	CAP,TC U 470P-50 K B UP050	EZSFD	CX-NSZ310
0 O	TAPE DECK	C 0470	87-018-127-080	0E	CAP,TC U 470P-50 K B UP050	KSFD	CX-NSZ310
0 O	TAPE DECK	C 0470	87-018-127-080	0E	CAP,TC U 470P-50 K B UP050	LHSFD	CX-NSZ310
0 O	TAPE DECK	C 0470	87-018-127-080	0E	CAP,TC U 470P-50 K B UP050	LHSFD	CX-NSZ510
0 O	TAPE DECK	C 0470	87-018-127-080	0E	CAP,TC U 470P-50 K B UP050	USM	CX-SNAJ310
0 X	TAPE DECK	CLP0302	87-A60-884-010	0E	PIN,DIAL COATING-SHS	EZSFD	CX-NSZ315
0 X	TAPE DECK	CLP0302	87-A60-884-010	0E	PIN,DIAL COATING-SHS	EZSFD	CX-NSZ310
0 X	TAPE DECK	CLP0302	87-A60-884-010	0E	PIN,DIAL COATING-SHS	KSFD	CX-NSZ310
0 X	TAPE DECK	CLP0302	87-A60-884-010	0E	PIN,DIAL COATING-SHS	LHSFD	CX-SNAJ310
0 X	TAPE DECK	CLP0302	87-A60-884-010	0E	PIN,DIAL COATING-SHS	LHSFD	CX-NSZ510
0 X	TAPE DECK	CLP0302	87-A60-884-010	0E	PIN,DIAL COATING-SHS	USM	CX-SNAJ310
0 O	TAPE DECK	CN 0301	87-A60-620-010	0E	CONN,3P V 2MM JMT	EZSFD	CX-NSZ315
0 O	TAPE DECK	CN 0301	87-A60-620-010	0E	CONN,3P V 2MM JMT	EZSFD	CX-NSZ310
0 O	TAPE DECK	CN 0301	87-A60-620-010	0E	CONN,3P V 2MM JMT	KSFD	CX-NSZ310
0 O	TAPE DECK	CN 0301	87-A60-620-010	0E	CONN,3P V 2MM JMT	LHSFD	CX-NSZ310
0 O	TAPE DECK	CN 0301	87-A60-620-010	0E	CONN,3P V 2MM JMT	LHSFD	CX-NSZ510
0 O	TAPE DECK	CN 0301	87-A60-620-010	0E	CONN,3P V 2MM JMT	USM	CX-SNAJ310
0 O	TAPE DECK	CN 0351	87-A60-625-010	0E	CONN,8P V 2MM JMT	EZSFD	CX-NSZ315
0 O	TAPE DECK	CN 0351	87-A60-625-010	0E	CONN,8P V 2MM JMT	EZSFD	CX-NSZ310
0 O	TAPE DECK	CN 0351	87-A60-625-010	0E	CONN,8P V 2MM JMT	KSFD	CX-NSZ310
0 O	TAPE DECK	CN 0351	87-A60-625-010	0E	CONN,8P V 2MM JMT	LHSFD	CX-NSZ310
0 O	TAPE DECK	CN 0351	87-A60-625-010	0E	CONN,8P V 2MM JMT	LHSFD	CX-NSZ510
0 O	TAPE DECK	CN 0351	87-A60-625-010	0E	CONN,8P V 2MM JMT	USM	CX-SNAJ310
0 S	TAPE DECK	D 0401	87-A40-291-080	0E	DIODE,1N4148M (CPT)	EZSFD	CX-NSZ315
0 S	TAPE DECK	D 0401	87-A40-291-080	0E	DIODE,1N4148M (CPT)	EZSFD	CX-NSZ310
0 S	TAPE DECK	D 0401	87-A40-291-080	0E	DIODE,1N4148M (CPT)	KSFD	CX-NSZ310
0 S	TAPE DECK	D 0401	87-A40-291-080	0E	DIODE,1N4148M (CPT)	LHSFD	CX-NSZ310
0 S	TAPE DECK	D 0401	87-A40-291-080	0E	DIODE,1N4148M (CPT)	LHSFD	CX-NSZ510
0 S	TAPE DECK	D 0401	87-A40-291-080	0E	DIODE,1N4148M (CPT)	USM	CX-SNAJ310
0 X	TAPE DECK	FB 0301	88-100-000-010	0E	PLATING-JW, 0.58 SN95	EZSFD	CX-NSZ315
0 X	TAPE DECK	FB 0301	88-100-000-010	0E	PLATING-JW, 0.58 SN95	EZSFD	CX-NSZ310
0 X	TAPE DECK	FB 0301	88-100-000-010	0E	PLATING-JW, 0.58 SN95	KSFD	CX-NSZ310
0 X	TAPE DECK	FB 0301	88-100-000-010	0E	PLATING-JW, 0.58 SN95	LHSFD	CX-NSZ310
0 X	TAPE DECK	FB 0301	88-100-000-010	0E	PLATING-JW, 0.58 SN95	LHSFD	CX-NSZ510
0 X	TAPE DECK	FB 0302	88-108-000-080	0E	C-JUMPER,U	EZSFD	CX-NSZ315
0 X	TAPE DECK	FB 0302	88-108-000-080	0E	C-JUMPER,U	EZSFD	CX-NSZ310
0 X	TAPE DECK	FB 0302	88-108-000-080	0E	C-JUMPER,U	KSFD	CX-NSZ310
0 X	TAPE DECK	FB 0302	88-108-000-080	0E	C-JUMPER,U	LHSFD	CX-NSZ310
0 X	TAPE DECK	FB 0302	88-108-000-080	0E	C-JUMPER,U	LHSFD	CX-NSZ510
0 X	TAPE DECK	FB 0302	88-108-000-080	0E	C-JUMPER,U	USM	CX-SNAJ310
0 S	TAPE DECK	IC 0301	87-A21-419-040	0E	C-IC,NJM14558MD-TE2	EZSFD	CX-NSZ315
0 S	TAPE DECK	IC 0301	87-A21-419-040	0E	C-IC,NJM14558MD-TE2	EZSFD	CX-NSZ310
0 S	TAPE DECK	IC 0301	87-A21-419-040	0E	C-IC,NJM14558MD-TE2	KSFD	CX-NSZ310
0 S	TAPE DECK	IC 0301	87-A21-419-040	0E	C-IC,NJM14558MD-TE2	LHSFD	CX-NSZ310
0 S	TAPE DECK	IC 0301	87-A21-419-040	0E	C-IC,NJM14558MD-TE2	LHSFD	CX-NSZ510
0 S	TAPE DECK	IC 0301	87-A21-419-040	0E	C-IC,NJM14558MD-TE2	USM	CX-SNAJ310
0 S	TAPE DECK	IC 0401	87-A21-893-040	1A	C-IC,NJM14558V-TE2	EZSFD	CX-NSZ315
0 S	TAPE DECK	IC 0401	87-A21-893-040	1A	C-IC,NJM14558V-TE2	EZSFD	CX-NSZ310
0 S	TAPE DECK	IC 0401	87-A21-893-040	1A	C-IC,NJM14558V-TE2	KSFD	CX-NSZ310
0 S	TAPE DECK	IC 0401	87-A21-893-040	1A	C-IC,NJM14558V-TE2	LHSFD	CX-NSZ310
0 S	TAPE DECK	IC 0401	87-A21-893-040	1A	C-IC,NJM14558V-TE2	LHSFD	CX-NSZ510
0 S	TAPE DECK	IC 0401	87-A21-893-040	1A	C-IC,NJM14558V-TE2	USM	CX-SNAJ310
0 X	TAPE DECK	JR 0302	88-129-000-080	0E	C-JUMPER,3216	EZSFD	CX-NSZ315
0 X	TAPE DECK	JR 0302	88-129-000-080	0E	C-JUMPER,3216	EZSFD	CX-NSZ310
0 X	TAPE DECK	JR 0302	88-129-000-080	0E	C-JUMPER,3216	KSFD	CX-NSZ310
0 X	TAPE DECK	JR 0302	88-129-000-080	0E	C-JUMPER,3216	LHSFD	CX-NSZ310
0 X	TAPE DECK	JR 0302	88-129-000-080	0E	C-JUMPER,3216	LHSFD	CX-NSZ510
0 X	TAPE DECK	JR 0302	88-129-000-080	0E	C-JUMPER,3216	LHSFD	CX-NSZ310
0 X	TAPE DECK	JR 0305	88-108-000-080	0E	C-JUMPER,U	USM	CX-SNAJ310
0 X	TAPE DECK	JR 0305	88-108-000-080	0E	C-JUMPER,U	EZSFD	CX-NSZ315
0 X	TAPE DECK	JR 0305	88-108-000-080	0E	C-JUMPER,U	EZSFD	CX-NSZ310
0 X	TAPE DECK	JR 0305	88-108-000-080	0E	C-JUMPER,U	KSFD	CX-NSZ310

# PARTS LIST

! =  $\Delta$  SAFTY PARTS  
 C = Components marked

All components used on this model at the production line are shown in this service manual.

However, please note that not all components will be available as spare parts for after-sales service.

Components marked S and O are designated as spare parts for service and will be stocked at the spare parts centers.

Components marked X and R are not designated as spare parts for after sales service, and will not be stocked at the spare parts centers.

K NO. = Only use japanese.

! C	UNIT NAME	REF NO.	PARTS CODE	K NO.	DESCRIPTION	SUFFIX	MODEL NAME
0 X	TAPE DECK	JR 0305	88-108-000-080	0E	C-JUMPER, U	LHSFD	CX-NSZ310
0 X	TAPE DECK	JR 0305	88-108-000-080	0E	C-JUMPER, U	LHSFD	CX-NSZ510
0 X	TAPE DECK	JR 0305	88-108-000-080	0E	C-JUMPER, U	USM	CX-SNAJ310
X	TAPE DECK	JR 0306	88-108-000-080	0E	C-JUMPER, U	EZSFD	CX-NSZ315
0 X	TAPE DECK	JR 0306	88-108-000-080	0E	C-JUMPER, U	EZSFD	CX-NSZ310
0 X	TAPE DECK	JR 0306	88-108-000-080	0E	C-JUMPER, U	KSFD	CX-NSZ310
0 X	TAPE DECK	JR 0306	88-108-000-080	0E	C-JUMPER, U	LHSFD	CX-NSZ310
0 X	TAPE DECK	JR 0306	88-108-000-080	0E	C-JUMPER, U	LHSFD	CX-NSZ510
0 X	TAPE DECK	JR 0306	88-108-000-080	0E	C-JUMPER, U	USM	CX-SNAJ310
X	TAPE DECK	JR 0307	88-108-000-080	0E	C-JUMPER, U	EZSFD	CX-NSZ315
0 X	TAPE DECK	JR 0307	88-108-000-080	0E	C-JUMPER, U	EZSFD	CX-NSZ310
0 X	TAPE DECK	JR 0307	88-108-000-080	0E	C-JUMPER, U	KSFD	CX-NSZ310
0 X	TAPE DECK	JR 0307	88-108-000-080	0E	C-JUMPER, U	LHSFD	CX-NSZ310
0 X	TAPE DECK	JR 0307	88-108-000-080	0E	C-JUMPER, U	LHSFD	CX-NSZ510
0 X	TAPE DECK	JR 0307	88-108-000-080	0E	C-JUMPER, U	USM	CX-SNAJ310
X	TAPE DECK	JR 0401	88-129-000-080	0E	C-JUMPER, 3216	EZSFD	CX-NSZ315
0 X	TAPE DECK	JR 0401	88-129-000-080	0E	C-JUMPER, 3216	EZSFD	CX-NSZ310
0 X	TAPE DECK	JR 0401	88-129-000-080	0E	C-JUMPER, 3216	KSFD	CX-NSZ310
0 X	TAPE DECK	JR 0401	88-129-000-080	0E	C-JUMPER, 3216	LHSFD	CX-NSZ310
0 X	TAPE DECK	JR 0401	88-129-000-080	0E	C-JUMPER, 3216	LHSFD	CX-NSZ510
0 X	TAPE DECK	JR 0401	88-129-000-080	0E	C-JUMPER, 3216	USM	CX-SNAJ310
X	TAPE DECK	JR 0402	88-108-000-080	0E	C-JUMPER, U	EZSFD	CX-NSZ315
0 X	TAPE DECK	JR 0402	88-108-000-080	0E	C-JUMPER, U	EZSFD	CX-NSZ310
0 X	TAPE DECK	JR 0402	88-108-000-080	0E	C-JUMPER, U	KSFD	CX-NSZ310
0 X	TAPE DECK	JR 0402	88-108-000-080	0E	C-JUMPER, U	LHSFD	CX-NSZ310
0 X	TAPE DECK	JR 0402	88-108-000-080	0E	C-JUMPER, U	LHSFD	CX-NSZ510
0 X	TAPE DECK	JR 0402	88-108-000-080	0E	C-JUMPER, U	USM	CX-SNAJ310
X	TAPE DECK	JR 0403	88-129-000-080	0E	C-JUMPER, 3216	EZSFD	CX-NSZ315
0 X	TAPE DECK	JR 0403	88-129-000-080	0E	C-JUMPER, 3216	EZSFD	CX-NSZ310
0 X	TAPE DECK	JR 0403	88-129-000-080	0E	C-JUMPER, 3216	KSFD	CX-NSZ310
0 X	TAPE DECK	JR 0403	88-129-000-080	0E	C-JUMPER, 3216	LHSFD	CX-NSZ310
0 X	TAPE DECK	JR 0403	88-129-000-080	0E	C-JUMPER, 3216	LHSFD	CX-NSZ510
0 X	TAPE DECK	JR 0403	88-129-000-080	0E	C-JUMPER, 3216	USM	CX-SNAJ310
X	TAPE DECK	JR 0404	88-128-150-080	0E	C-RES, 15-1/8W J	EZSFD	CX-NSZ315
0 X	TAPE DECK	JR 0404	88-128-150-080	0E	C-RES, 15-1/8W J	EZSFD	CX-NSZ310
0 X	TAPE DECK	JR 0404	88-128-150-080	0E	C-RES, 15-1/8W J	KSFD	CX-NSZ310
0 X	TAPE DECK	JR 0404	88-128-150-080	0E	C-RES, 15-1/8W J	LHSFD	CX-NSZ310
0 X	TAPE DECK	JR 0404	88-128-150-080	0E	C-RES, 15-1/8W J	LHSFD	CX-NSZ510
0 X	TAPE DECK	JR 0404	88-128-150-080	0E	C-RES, 15-1/8W J	USM	CX-SNAJ310
0 X	TAPE DECK	JR 0404	88-129-000-080	0E	C-JUMPER, 3216	LHSFD	CX-NSZ510
O	TAPE DECK	L 0451	87-007-342-010	0E	COIL, OSC 85KHZ BIAS	EZSFD	CX-NSZ315
0 O	TAPE DECK	L 0451	87-007-342-010	0E	COIL, OSC 85KHZ BIAS	EZSFD	CX-NSZ310
0 O	TAPE DECK	L 0451	87-007-342-010	0E	COIL, OSC 85KHZ BIAS	KSFD	CX-NSZ310
0 O	TAPE DECK	L 0451	87-007-342-010	0E	COIL, OSC 85KHZ BIAS	LHSFD	CX-NSZ310
0 O	TAPE DECK	L 0451	87-007-342-010	0E	COIL, OSC 85KHZ BIAS	LHSFD	CX-NSZ510
0 O	TAPE DECK	L 0451	87-007-342-010	0E	COIL, OSC 85KHZ BIAS	USM	CX-SNAJ310
S	TAPE DECK	Q 0301	87-A30-091-080	1E	FET, 2SJ460	EZSFD	CX-NSZ315
0 S	TAPE DECK	Q 0301	87-A30-091-080	1E	FET, 2SJ460	EZSFD	CX-NSZ310
0 S	TAPE DECK	Q 0301	87-A30-091-080	1E	FET, 2SJ460	KSFD	CX-NSZ310
0 S	TAPE DECK	Q 0301	87-A30-091-080	1E	FET, 2SJ460	LHSFD	CX-NSZ310
0 S	TAPE DECK	Q 0301	87-A30-091-080	1E	FET, 2SJ460	LHSFD	CX-NSZ510
0 S	TAPE DECK	Q 0301	87-A30-091-080	1E	FET, 2SJ460	USM	CX-SNAJ310
S	TAPE DECK	Q 0302	87-A30-091-080	1E	FET, 2SJ460	EZSFD	CX-NSZ315
0 S	TAPE DECK	Q 0302	87-A30-091-080	1E	FET, 2SJ460	EZSFD	CX-NSZ310
0 S	TAPE DECK	Q 0302	87-A30-091-080	1E	FET, 2SJ460	KSFD	CX-NSZ310
0 S	TAPE DECK	Q 0302	87-A30-091-080	1E	FET, 2SJ460	LHSFD	CX-NSZ310
0 S	TAPE DECK	Q 0302	87-A30-091-080	1E	FET, 2SJ460	LHSFD	CX-NSZ510
0 S	TAPE DECK	Q 0302	87-A30-091-080	1E	FET, 2SJ460	USM	CX-SNAJ310
S	TAPE DECK	Q 0303	87-A30-090-080	0E	FET, 2SK2541	EZSFD	CX-NSZ315
0 S	TAPE DECK	Q 0303	87-A30-090-080	0E	FET, 2SK2541	EZSFD	CX-NSZ310
0 S	TAPE DECK	Q 0303	87-A30-090-080	0E	FET, 2SK2541	KSFD	CX-NSZ310
0 S	TAPE DECK	Q 0303	87-A30-090-080	0E	FET, 2SK2541	LHSFD	CX-NSZ310
0 S	TAPE DECK	Q 0303	87-A30-090-080	0E	FET, 2SK2541	LHSFD	CX-NSZ510
0 S	TAPE DECK	Q 0303	87-A30-090-080	0E	FET, 2SK2541	USM	CX-SNAJ310
S	TAPE DECK	Q 0304	87-A30-090-080	0E	FET, 2SK2541	EZSFD	CX-NSZ315
0 S	TAPE DECK	Q 0304	87-A30-090-080	0E	FET, 2SK2541	EZSFD	CX-NSZ310
0 S	TAPE DECK	Q 0304	87-A30-090-080	0E	FET, 2SK2541	KSFD	CX-NSZ310
0 S	TAPE DECK	Q 0304	87-A30-090-080	0E	FET, 2SK2541	LHSFD	CX-NSZ310
0 S	TAPE DECK	Q 0304	87-A30-090-080	0E	FET, 2SK2541	LHSFD	CX-NSZ510
0 S	TAPE DECK	Q 0304	87-A30-090-080	0E	FET, 2SK2541	USM	CX-SNAJ310
S	TAPE DECK	Q 0305	87-A30-091-080	1E	FET, 2SJ460	EZSFD	CX-NSZ315



# PARTS LIST

! =  $\Delta$  SAFTY PARTS  
 C = Components marked

All components used on this model at the production line are shown in this service manual.

However, please note that not all components will be available as spare parts for after-sales service.

Components marked S and O are designated as spare parts for service and will be stocked at the spare parts centers.

Components marked X and R are not designated as spare parts for after sales service, and will not be stocked at the spare parts centers.

K NO. = Only use japanese.

! C	UNIT NAME	REF NO.	PARTS CODE	K NO.	DESCRIPTION	SUFFIX	MODEL NAME
0 S	TAPE DECK	Q	0305 87-A30-091-080	1E	FET, 2SJ460	EZSFD	CX-NSZ310
0 S	TAPE DECK	Q	0305 87-A30-091-080	1E	FET, 2SJ460	KSFD	CX-NSZ310
0 S	TAPE DECK	Q	0305 87-A30-091-080	1E	FET, 2SJ460	LHSFD	CX-NSZ310
0 S	TAPE DECK	Q	0305 87-A30-091-080	1E	FET, 2SJ460	LHSFD	CX-NSZ510
0 S	TAPE DECK	Q	0305 87-A30-091-080	1E	FET, 2SJ460	USM	CX-SNAJ310
0 S	TAPE DECK	Q	0306 87-A30-062-080	0E	C-TR, KRC104S	EZSFD	CX-NSZ315
0 S	TAPE DECK	Q	0306 87-A30-062-080	0E	C-TR, KRC104S	EZSFD	CX-NSZ310
0 S	TAPE DECK	Q	0306 87-A30-062-080	0E	C-TR, KRC104S	KSFD	CX-NSZ310
0 S	TAPE DECK	Q	0306 87-A30-062-080	0E	C-TR, KRC104S	LHSFD	CX-NSZ310
0 S	TAPE DECK	Q	0306 87-A30-062-080	0E	C-TR, KRC104S	LHSFD	CX-NSZ510
0 S	TAPE DECK	Q	0306 87-A30-062-080	0E	C-TR, KRC104S	USM	CX-SNAJ310
0 S	TAPE DECK	Q	0307 87-A30-091-080	1E	FET, 2SJ460	EZSFD	CX-NSZ315
0 S	TAPE DECK	Q	0307 87-A30-091-080	1E	FET, 2SJ460	EZSFD	CX-NSZ310
0 S	TAPE DECK	Q	0307 87-A30-091-080	1E	FET, 2SJ460	KSFD	CX-NSZ310
0 S	TAPE DECK	Q	0307 87-A30-091-080	1E	FET, 2SJ460	LHSFD	CX-NSZ310
0 S	TAPE DECK	Q	0307 87-A30-091-080	1E	FET, 2SJ460	LHSFD	CX-NSZ510
0 S	TAPE DECK	Q	0307 87-A30-091-080	1E	FET, 2SJ460	USM	CX-SNAJ310
0 S	TAPE DECK	Q	0308 87-A30-091-080	1E	FET, 2SJ460	EZSFD	CX-NSZ315
0 S	TAPE DECK	Q	0308 87-A30-091-080	1E	FET, 2SJ460	EZSFD	CX-NSZ310
0 S	TAPE DECK	Q	0308 87-A30-091-080	1E	FET, 2SJ460	KSFD	CX-NSZ310
0 S	TAPE DECK	Q	0308 87-A30-091-080	1E	FET, 2SJ460	LHSFD	CX-NSZ310
0 S	TAPE DECK	Q	0308 87-A30-091-080	1E	FET, 2SJ460	LHSFD	CX-NSZ510
0 S	TAPE DECK	Q	0308 87-A30-091-080	1E	FET, 2SJ460	USM	CX-SNAJ310
0 S	TAPE DECK	Q	0309 87-A30-075-080	0E	C-TR, 2SA1235F	EZSFD	CX-NSZ315
0 S	TAPE DECK	Q	0309 87-A30-075-080	0E	C-TR, 2SA1235F	EZSFD	CX-NSZ310
0 S	TAPE DECK	Q	0309 87-A30-075-080	0E	C-TR, 2SA1235F	KSFD	CX-NSZ310
0 S	TAPE DECK	Q	0309 87-A30-075-080	0E	C-TR, 2SA1235F	LHSFD	CX-NSZ310
0 S	TAPE DECK	Q	0309 87-A30-075-080	0E	C-TR, 2SA1235F	LHSFD	CX-NSZ510
0 S	TAPE DECK	Q	0309 87-A30-075-080	0E	C-TR, 2SA1235F	USM	CX-SNAJ310
0 S	TAPE DECK	Q	0310 87-A30-075-080	0E	C-TR, 2SA1235F	EZSFD	CX-NSZ315
0 S	TAPE DECK	Q	0310 87-A30-075-080	0E	C-TR, 2SA1235F	EZSFD	CX-NSZ310
0 S	TAPE DECK	Q	0310 87-A30-075-080	0E	C-TR, 2SA1235F	KSFD	CX-NSZ310
0 S	TAPE DECK	Q	0310 87-A30-075-080	0E	C-TR, 2SA1235F	LHSFD	CX-NSZ310
0 S	TAPE DECK	Q	0310 87-A30-075-080	0E	C-TR, 2SA1235F	LHSFD	CX-NSZ510
0 S	TAPE DECK	Q	0310 87-A30-075-080	0E	C-TR, 2SA1235F	USM	CX-SNAJ310
0 S	TAPE DECK	Q	0443 87-A30-075-080	0E	C-TR, 2SA1235F	EZSFD	CX-NSZ315
0 S	TAPE DECK	Q	0443 87-A30-075-080	0E	C-TR, 2SA1235F	EZSFD	CX-NSZ310
0 S	TAPE DECK	Q	0443 87-A30-075-080	0E	C-TR, 2SA1235F	KSFD	CX-NSZ310
0 S	TAPE DECK	Q	0443 87-A30-075-080	0E	C-TR, 2SA1235F	LHSFD	CX-NSZ310
0 S	TAPE DECK	Q	0443 87-A30-075-080	0E	C-TR, 2SA1235F	LHSFD	CX-NSZ510
0 S	TAPE DECK	Q	0443 87-A30-075-080	0E	C-TR, 2SA1235F	USM	CX-SNAJ310
0 S	TAPE DECK	Q	0444 87-A30-075-080	0E	C-TR, 2SA1235F	EZSFD	CX-NSZ315
0 S	TAPE DECK	Q	0444 87-A30-075-080	0E	C-TR, 2SA1235F	EZSFD	CX-NSZ310
0 S	TAPE DECK	Q	0444 87-A30-075-080	0E	C-TR, 2SA1235F	KSFD	CX-NSZ310
0 S	TAPE DECK	Q	0444 87-A30-075-080	0E	C-TR, 2SA1235F	LHSFD	CX-NSZ310
0 S	TAPE DECK	Q	0444 87-A30-075-080	0E	C-TR, 2SA1235F	LHSFD	CX-NSZ510
0 S	TAPE DECK	Q	0444 87-A30-075-080	0E	C-TR, 2SA1235F	USM	CX-SNAJ310
0 S	TAPE DECK	Q	0451 87-A30-495-080	0E	TR, 2SA1981Y	EZSFD	CX-NSZ315
0 S	TAPE DECK	Q	0451 87-A30-495-080	0E	TR, 2SA1981Y	EZSFD	CX-NSZ310
0 S	TAPE DECK	Q	0451 87-A30-495-080	0E	TR, 2SA1981Y	KSFD	CX-NSZ310
0 S	TAPE DECK	Q	0451 87-A30-495-080	0E	TR, 2SA1981Y	LHSFD	CX-NSZ310
0 S	TAPE DECK	Q	0451 87-A30-495-080	0E	TR, 2SA1981Y	LHSFD	CX-NSZ510
0 S	TAPE DECK	Q	0451 87-A30-495-080	0E	TR, 2SA1981Y	USM	CX-SNAJ310
0 S	TAPE DECK	Q	0453 87-A30-615-080	0E	TR, STC250	EZSFD	CX-NSZ315
0 S	TAPE DECK	Q	0453 87-A30-615-080	0E	TR, STC250	EZSFD	CX-NSZ310
0 S	TAPE DECK	Q	0453 87-A30-615-080	0E	TR, STC250	KSFD	CX-NSZ310
0 S	TAPE DECK	Q	0453 87-A30-615-080	0E	TR, STC250	LHSFD	CX-NSZ310
0 S	TAPE DECK	Q	0453 87-A30-615-080	0E	TR, STC250	LHSFD	CX-NSZ510
0 S	TAPE DECK	Q	0453 87-A30-615-080	0E	TR, STC250	USM	CX-SNAJ310
0 S	TAPE DECK	Q	0454 87-A30-615-080	0E	TR, STC250	EZSFD	CX-NSZ315
0 S	TAPE DECK	Q	0454 87-A30-615-080	0E	TR, STC250	EZSFD	CX-NSZ310
0 S	TAPE DECK	Q	0454 87-A30-615-080	0E	TR, STC250	KSFD	CX-NSZ310
0 S	TAPE DECK	Q	0454 87-A30-615-080	0E	TR, STC250	LHSFD	CX-NSZ310
0 S	TAPE DECK	Q	0454 87-A30-615-080	0E	TR, STC250	LHSFD	CX-NSZ510
0 S	TAPE DECK	Q	0454 87-A30-615-080	0E	TR, STC250	USM	CX-SNAJ310
0 S	TAPE DECK	Q	0455 87-A30-076-080	0E	C-TR, 2SC3052F	EZSFD	CX-NSZ315
0 S	TAPE DECK	Q	0455 87-A30-076-080	0E	C-TR, 2SC3052F	EZSFD	CX-NSZ310
0 S	TAPE DECK	Q	0455 87-A30-076-080	0E	C-TR, 2SC3052F	KSFD	CX-NSZ310
X	TAPE DECK	R	0301 88-108-393-080	0E	C-RES, U 39K-1/16W J	EZSFD	CX-NSZ315
0 X	TAPE DECK	R	0301 88-108-393-080	0E	C-RES, U 39K-1/16W J	EZSFD	CX-NSZ310

# PARTS LIST

! =  $\Delta$  SAFTY PARTS  
 C = Components marked

All components used on this model at the production line are shown in this service manual.

However, please note that not all components will be available as spare parts for after-sales service.

Components marked S and O are designated as spare parts for service and will be stocked at the spare parts centers.

Components marked X and R are not designated as spare parts for after sales service, and will not be stocked at the spare parts centers.

K NO. = Only use japanese.

! C	UNIT NAME	REF NO.	PARTS CODE	K NO.	DESCRIPTION	SUFFIX	MODEL NAME
0 X	TAPE DECK	R 0301	88-108-393-080	0E	C-RES,U 39K-1/16W J	KSFD	CX-NSZ310
0 X	TAPE DECK	R 0301	88-108-393-080	0E	C-RES,U 39K-1/16W J	LHSFD	CX-NSZ310
0 X	TAPE DECK	R 0301	88-108-393-080	0E	C-RES,U 39K-1/16W J	LHSFD	CX-NSZ510
0 X	TAPE DECK	R 0301	88-108-393-080	0E	C-RES,U 39K-1/16W J	USM	CX-SNAJ310
X	TAPE DECK	R 0302	88-108-393-080	0E	C-RES,U 39K-1/16W J	EZSFD	CX-NSZ315
0 X	TAPE DECK	R 0302	88-108-393-080	0E	C-RES,U 39K-1/16W J	EZSFD	CX-NSZ310
0 X	TAPE DECK	R 0302	88-108-393-080	0E	C-RES,U 39K-1/16W J	KSFD	CX-NSZ310
0 X	TAPE DECK	R 0302	88-108-393-080	0E	C-RES,U 39K-1/16W J	LHSFD	CX-NSZ310
0 X	TAPE DECK	R 0302	88-108-393-080	0E	C-RES,U 39K-1/16W J	LHSFD	CX-NSZ510
0 X	TAPE DECK	R 0302	88-108-393-080	0E	C-RES,U 39K-1/16W J	USM	CX-SNAJ310
X	TAPE DECK	R 0303	88-108-823-080	0E	C-RES,U 82K-1/16W J	EZSFD	CX-NSZ315
0 X	TAPE DECK	R 0303	88-108-823-080	0E	C-RES,U 82K-1/16W J	EZSFD	CX-NSZ310
0 X	TAPE DECK	R 0303	88-108-823-080	0E	C-RES,U 82K-1/16W J	KSFD	CX-NSZ310
0 X	TAPE DECK	R 0303	88-108-823-080	0E	C-RES,U 82K-1/16W J	LHSFD	CX-NSZ310
0 X	TAPE DECK	R 0303	88-108-823-080	0E	C-RES,U 82K-1/16W J	LHSFD	CX-NSZ510
0 X	TAPE DECK	R 0303	88-108-823-080	0E	C-RES,U 82K-1/16W J	USM	CX-SNAJ310
X	TAPE DECK	R 0304	88-108-823-080	0E	C-RES,U 82K-1/16W J	EZSFD	CX-NSZ315
0 X	TAPE DECK	R 0304	88-108-823-080	0E	C-RES,U 82K-1/16W J	EZSFD	CX-NSZ310
0 X	TAPE DECK	R 0304	88-108-823-080	0E	C-RES,U 82K-1/16W J	KSFD	CX-NSZ310
0 X	TAPE DECK	R 0304	88-108-823-080	0E	C-RES,U 82K-1/16W J	LHSFD	CX-NSZ310
0 X	TAPE DECK	R 0304	88-108-823-080	0E	C-RES,U 82K-1/16W J	LHSFD	CX-NSZ510
0 X	TAPE DECK	R 0304	88-108-823-080	0E	C-RES,U 82K-1/16W J	USM	CX-SNAJ310
X	TAPE DECK	R 0305	88-108-224-080	0E	C-RES,U 220K-1/16W J	EZSFD	CX-NSZ315
0 X	TAPE DECK	R 0305	88-108-224-080	0E	C-RES,U 220K-1/16W J	EZSFD	CX-NSZ310
0 X	TAPE DECK	R 0305	88-108-224-080	0E	C-RES,U 220K-1/16W J	KSFD	CX-NSZ310
0 X	TAPE DECK	R 0305	88-108-224-080	0E	C-RES,U 220K-1/16W J	LHSFD	CX-NSZ310
0 X	TAPE DECK	R 0305	88-108-224-080	0E	C-RES,U 220K-1/16W J	LHSFD	CX-NSZ510
0 X	TAPE DECK	R 0305	88-108-224-080	0E	C-RES,U 220K-1/16W J	USM	CX-SNAJ310
X	TAPE DECK	R 0306	88-108-682-080	0E	C-RES,U 6.8K-1/16W J	EZSFD	CX-NSZ315
0 X	TAPE DECK	R 0306	88-108-682-080	0E	C-RES,U 6.8K-1/16W J	EZSFD	CX-NSZ310
0 X	TAPE DECK	R 0306	88-108-682-080	0E	C-RES,U 6.8K-1/16W J	KSFD	CX-NSZ310
0 X	TAPE DECK	R 0306	88-108-682-080	0E	C-RES,U 6.8K-1/16W J	LHSFD	CX-NSZ310
0 X	TAPE DECK	R 0306	88-108-682-080	0E	C-RES,U 6.8K-1/16W J	LHSFD	CX-NSZ510
X	TAPE DECK	R 0307	88-108-471-080	0E	C-RES,U 470-1/16W J	USM	CX-SNAJ310
0 X	TAPE DECK	R 0307	88-108-471-080	0E	C-RES,U 470-1/16W J	EZSFD	CX-NSZ315
0 X	TAPE DECK	R 0307	88-108-471-080	0E	C-RES,U 470-1/16W J	EZSFD	CX-NSZ310
0 X	TAPE DECK	R 0307	88-108-471-080	0E	C-RES,U 470-1/16W J	KSFD	CX-NSZ310
0 X	TAPE DECK	R 0307	88-108-471-080	0E	C-RES,U 470-1/16W J	LHSFD	CX-NSZ310
0 X	TAPE DECK	R 0307	88-108-471-080	0E	C-RES,U 470-1/16W J	LHSFD	CX-NSZ510
0 X	TAPE DECK	R 0307	88-108-471-080	0E	C-RES,U 470-1/16W J	USM	CX-SNAJ310
X	TAPE DECK	R 0308	88-108-471-080	0E	C-RES,U 470-1/16W J	EZSFD	CX-NSZ315
0 X	TAPE DECK	R 0308	88-108-471-080	0E	C-RES,U 470-1/16W J	EZSFD	CX-NSZ310
0 X	TAPE DECK	R 0308	88-108-471-080	0E	C-RES,U 470-1/16W J	KSFD	CX-NSZ310
0 X	TAPE DECK	R 0308	88-108-471-080	0E	C-RES,U 470-1/16W J	LHSFD	CX-NSZ310
0 X	TAPE DECK	R 0308	88-108-471-080	0E	C-RES,U 470-1/16W J	LHSFD	CX-NSZ510
0 X	TAPE DECK	R 0308	88-108-471-080	0E	C-RES,U 470-1/16W J	USM	CX-SNAJ310
X	TAPE DECK	R 0309	88-108-680-080	0E	C-RES,U 68-1/16W J	EZSFD	CX-NSZ315
0 X	TAPE DECK	R 0309	88-108-680-080	0E	C-RES,U 68-1/16W J	EZSFD	CX-NSZ310
0 X	TAPE DECK	R 0309	88-108-680-080	0E	C-RES,U 68-1/16W J	KSFD	CX-NSZ310
0 X	TAPE DECK	R 0309	88-108-680-080	0E	C-RES,U 68-1/16W J	LHSFD	CX-NSZ310
0 X	TAPE DECK	R 0309	88-108-680-080	0E	C-RES,U 68-1/16W J	LHSFD	CX-NSZ510
0 X	TAPE DECK	R 0309	88-108-680-080	0E	C-RES,U 68-1/16W J	USM	CX-SNAJ310
X	TAPE DECK	R 0310	88-108-680-080	0E	C-RES,U 68-1/16W J	EZSFD	CX-NSZ315
0 X	TAPE DECK	R 0310	88-108-680-080	0E	C-RES,U 68-1/16W J	EZSFD	CX-NSZ310
0 X	TAPE DECK	R 0310	88-108-680-080	0E	C-RES,U 68-1/16W J	KSFD	CX-NSZ310
0 X	TAPE DECK	R 0310	88-108-680-080	0E	C-RES,U 68-1/16W J	LHSFD	CX-NSZ310
0 X	TAPE DECK	R 0310	88-108-680-080	0E	C-RES,U 68-1/16W J	LHSFD	CX-NSZ510
0 X	TAPE DECK	R 0310	88-108-680-080	0E	C-RES,U 68-1/16W J	USM	CX-SNAJ310
X	TAPE DECK	R 0313	88-108-183-080	0E	C-RES,U 18K-1/16W J	EZSFD	CX-NSZ315
0 X	TAPE DECK	R 0313	88-108-183-080	0E	C-RES,U 18K-1/16W J	EZSFD	CX-NSZ310
0 X	TAPE DECK	R 0313	88-108-183-080	0E	C-RES,U 18K-1/16W J	KSFD	CX-NSZ310
0 X	TAPE DECK	R 0313	88-108-183-080	0E	C-RES,U 18K-1/16W J	LHSFD	CX-NSZ310
0 X	TAPE DECK	R 0313	88-108-183-080	0E	C-RES,U 18K-1/16W J	LHSFD	CX-NSZ510
X	TAPE DECK	R 0314	88-108-183-080	0E	C-RES,U 18K-1/16W J	USM	CX-SNAJ310
0 X	TAPE DECK	R 0314	88-108-183-080	0E	C-RES,U 18K-1/16W J	EZSFD	CX-NSZ315
0 X	TAPE DECK	R 0314	88-108-183-080	0E	C-RES,U 18K-1/16W J	EZSFD	CX-NSZ310
0 X	TAPE DECK	R 0314	88-108-183-080	0E	C-RES,U 18K-1/16W J	KSFD	CX-NSZ310
0 X	TAPE DECK	R 0314	88-108-183-080	0E	C-RES,U 18K-1/16W J	LHSFD	CX-NSZ310
0 X	TAPE DECK	R 0314	88-108-183-080	0E	C-RES,U 18K-1/16W J	LHSFD	CX-NSZ510
0 X	TAPE DECK	R 0314	88-108-183-080	0E	C-RES,U 18K-1/16W J	USM	CX-SNAJ310

# PARTS LIST

! =  $\Delta$  SAFETY PARTS  
C = Components marked

All components used on this model at the production line are shown in this service manual.

However, please note that not all components will be available as spare parts for after-sales service.

Components marked S and O are designated as spare parts for service and will be stocked at the spare parts centers.

Components marked X and R are not designated as spare parts for after sales service, and will not be stocked at the spare parts centers.

K NO. = Only use Japanese.

!	C	UNIT NAME	REF NO.	PARTS CODE	K NO.	DESCRIPTION	SUFFIX	MODEL NAME	
0	X	TAPE DECK	R	0315	88-108-394-080	0E	C-RES,U 390K-1/16W J	EZSFD	CX-NSZ315
0	X	TAPE DECK	R	0315	88-108-394-080	0E	C-RES,U 390K-1/16W J	EZSFD	CX-NSZ310
0	X	TAPE DECK	R	0315	88-108-394-080	0E	C-RES,U 390K-1/16W J	KSFD	CX-NSZ310
0	X	TAPE DECK	R	0315	88-108-394-080	0E	C-RES,U 390K-1/16W J	LHSFD	CX-NSZ310
0	X	TAPE DECK	R	0315	88-108-394-080	0E	C-RES,U 390K-1/16W J	LHSFD	CX-NSZ510
0	X	TAPE DECK	R	0315	88-108-394-080	0E	C-RES,U 390K-1/16W J	USM	CX-SNAJ310
0	X	TAPE DECK	R	0316	88-108-394-080	0E	C-RES,U 390K-1/16W J	EZSFD	CX-NSZ315
0	X	TAPE DECK	R	0316	88-108-394-080	0E	C-RES,U 390K-1/16W J	EZSFD	CX-NSZ310
0	X	TAPE DECK	R	0316	88-108-394-080	0E	C-RES,U 390K-1/16W J	KSFD	CX-NSZ310
0	X	TAPE DECK	R	0316	88-108-394-080	0E	C-RES,U 390K-1/16W J	LHSFD	CX-NSZ310
0	X	TAPE DECK	R	0316	88-108-394-080	0E	C-RES,U 390K-1/16W J	LHSFD	CX-NSZ510
0	X	TAPE DECK	R	0316	88-108-394-080	0E	C-RES,U 390K-1/16W J	USM	CX-SNAJ310
0	X	TAPE DECK	R	0317	88-108-122-080	0E	C-RES,U 1.2K-1/16W J	EZSFD	CX-NSZ315
0	X	TAPE DECK	R	0317	88-108-122-080	0E	C-RES,U 1.2K-1/16W J	EZSFD	CX-NSZ310
0	X	TAPE DECK	R	0317	88-108-122-080	0E	C-RES,U 1.2K-1/16W J	KSFD	CX-NSZ310
0	X	TAPE DECK	R	0317	88-108-122-080	0E	C-RES,U 1.2K-1/16W J	LHSFD	CX-NSZ310
0	X	TAPE DECK	R	0317	88-108-122-080	0E	C-RES,U 1.2K-1/16W J	LHSFD	CX-NSZ510
0	X	TAPE DECK	R	0317	88-108-122-080	0E	C-RES,U 1.2K-1/16W J	USM	CX-SNAJ310
0	X	TAPE DECK	R	0318	88-108-122-080	0E	C-RES,U 1.2K-1/16W J	EZSFD	CX-NSZ315
0	X	TAPE DECK	R	0318	88-108-122-080	0E	C-RES,U 1.2K-1/16W J	EZSFD	CX-NSZ310
0	X	TAPE DECK	R	0318	88-108-122-080	0E	C-RES,U 1.2K-1/16W J	KSFD	CX-NSZ310
0	X	TAPE DECK	R	0318	88-108-122-080	0E	C-RES,U 1.2K-1/16W J	LHSFD	CX-NSZ310
0	X	TAPE DECK	R	0318	88-108-122-080	0E	C-RES,U 1.2K-1/16W J	LHSFD	CX-NSZ510
0	X	TAPE DECK	R	0318	88-108-122-080	0E	C-RES,U 1.2K-1/16W J	USM	CX-SNAJ310
0	X	TAPE DECK	R	0319	88-108-472-080	0E	C-RES,U 4.7K-1/16W J	EZSFD	CX-NSZ315
0	X	TAPE DECK	R	0319	88-108-472-080	0E	C-RES,U 4.7K-1/16W J	EZSFD	CX-NSZ310
0	X	TAPE DECK	R	0319	88-108-472-080	0E	C-RES,U 4.7K-1/16W J	KSFD	CX-NSZ310
0	X	TAPE DECK	R	0319	88-108-472-080	0E	C-RES,U 4.7K-1/16W J	LHSFD	CX-NSZ310
0	X	TAPE DECK	R	0319	88-108-472-080	0E	C-RES,U 4.7K-1/16W J	LHSFD	CX-NSZ510
0	X	TAPE DECK	R	0319	88-108-472-080	0E	C-RES,U 4.7K-1/16W J	USM	CX-SNAJ310
0	X	TAPE DECK	R	0321	88-108-000-080	0E	C-JUMPER,U	EZSFD	CX-NSZ315
0	X	TAPE DECK	R	0321	88-108-000-080	0E	C-JUMPER,U	EZSFD	CX-NSZ310
0	X	TAPE DECK	R	0321	88-108-000-080	0E	C-JUMPER,U	KSFD	CX-NSZ310
0	X	TAPE DECK	R	0321	88-108-000-080	0E	C-JUMPER,U	LHSFD	CX-NSZ310
0	X	TAPE DECK	R	0321	88-108-000-080	0E	C-JUMPER,U	LHSFD	CX-NSZ510
0	X	TAPE DECK	R	0321	88-108-000-080	0E	C-JUMPER,U	USM	CX-SNAJ310
0	X	TAPE DECK	R	0322	88-108-000-080	0E	C-JUMPER,U	EZSFD	CX-NSZ315
0	X	TAPE DECK	R	0322	88-108-000-080	0E	C-JUMPER,U	EZSFD	CX-NSZ310
0	X	TAPE DECK	R	0322	88-108-000-080	0E	C-JUMPER,U	KSFD	CX-NSZ310
0	X	TAPE DECK	R	0322	88-108-000-080	0E	C-JUMPER,U	LHSFD	CX-NSZ310
0	X	TAPE DECK	R	0322	88-108-000-080	0E	C-JUMPER,U	LHSFD	CX-NSZ510
0	X	TAPE DECK	R	0322	88-108-000-080	0E	C-JUMPER,U	USM	CX-SNAJ310
0	X	TAPE DECK	R	0375	88-108-102-080	0E	C-RES,U 1K-1/16W J	EZSFD	CX-NSZ315
0	X	TAPE DECK	R	0375	88-108-102-080	0E	C-RES,U 1K-1/16W J	EZSFD	CX-NSZ310
0	X	TAPE DECK	R	0375	88-108-102-080	0E	C-RES,U 1K-1/16W J	KSFD	CX-NSZ310
0	X	TAPE DECK	R	0375	88-108-102-080	0E	C-RES,U 1K-1/16W J	LHSFD	CX-NSZ310
0	X	TAPE DECK	R	0375	88-108-102-080	0E	C-RES,U 1K-1/16W J	LHSFD	CX-NSZ510
0	X	TAPE DECK	R	0375	88-108-102-080	0E	C-RES,U 1K-1/16W J	USM	CX-SNAJ310
0	X	TAPE DECK	R	0376	88-108-102-080	0E	C-RES,U 1K-1/16W J	EZSFD	CX-NSZ315
0	X	TAPE DECK	R	0376	88-108-102-080	0E	C-RES,U 1K-1/16W J	EZSFD	CX-NSZ310
0	X	TAPE DECK	R	0376	88-108-102-080	0E	C-RES,U 1K-1/16W J	KSFD	CX-NSZ310
0	X	TAPE DECK	R	0376	88-108-102-080	0E	C-RES,U 1K-1/16W J	LHSFD	CX-NSZ310
0	X	TAPE DECK	R	0376	88-108-102-080	0E	C-RES,U 1K-1/16W J	LHSFD	CX-NSZ510
0	X	TAPE DECK	R	0376	88-108-102-080	0E	C-RES,U 1K-1/16W J	USM	CX-SNAJ310
0	X	TAPE DECK	R	0377	88-121-101-080	0E	RES, 100-1/8W J	EZSFD	CX-NSZ315
0	X	TAPE DECK	R	0377	88-121-101-080	0E	RES, 100-1/8W J	EZSFD	CX-NSZ310
0	X	TAPE DECK	R	0377	88-121-101-080	0E	RES, 100-1/8W J	KSFD	CX-NSZ310
0	X	TAPE DECK	R	0377	88-121-101-080	0E	RES, 100-1/8W J	LHSFD	CX-NSZ310
0	X	TAPE DECK	R	0377	88-121-101-080	0E	RES, 100-1/8W J	LHSFD	CX-NSZ510
0	X	TAPE DECK	R	0377	88-121-101-080	0E	RES, 100-1/8W J	USM	CX-SNAJ310
0	X	TAPE DECK	R	0399	88-108-105-080	0E	C-RES,U 1M-1/16W J	EZSFD	CX-NSZ315
0	X	TAPE DECK	R	0399	88-108-105-080	0E	C-RES,U 1M-1/16W J	EZSFD	CX-NSZ310
0	X	TAPE DECK	R	0399	88-108-105-080	0E	C-RES,U 1M-1/16W J	KSFD	CX-NSZ310
0	X	TAPE DECK	R	0399	88-108-105-080	0E	C-RES,U 1M-1/16W J	LHSFD	CX-NSZ310
0	X	TAPE DECK	R	0399	88-108-105-080	0E	C-RES,U 1M-1/16W J	LHSFD	CX-NSZ510
0	X	TAPE DECK	R	0399	88-108-105-080	0E	C-RES,U 1M-1/16W J	USM	CX-SNAJ310
0	X	TAPE DECK	R	0401	88-108-104-080	0E	C-RES,U 100K-1/16W J	EZSFD	CX-NSZ315
0	X	TAPE DECK	R	0401	88-108-104-080	0E	C-RES,U 100K-1/16W J	EZSFD	CX-NSZ310
0	X	TAPE DECK	R	0401	88-108-104-080	0E	C-RES,U 100K-1/16W J	KSFD	CX-NSZ310
0	X	TAPE DECK	R	0401	88-108-104-080	0E	C-RES,U 100K-1/16W J	LHSFD	CX-NSZ310

# PARTS LIST

! =  $\Delta$  SAFTY PARTS  
 C = Components marked

All components used on this model at the production line are shown in this service manual.

However, please note that not all components will be available as spare parts for after-sales service.

Components marked S and O are designated as spare parts for service and will be stocked at the spare parts centers.

Components marked X and R are not designated as spare parts for after sales service, and will not be stocked at the spare parts centers.

K NO. = Only use japanese.

! C	UNIT NAME	REF NO.	PARTS CODE	K NO.	DESCRIPTION	SUFFIX	MODEL NAME
0 X	TAPE DECK	R 0401	88-108-104-080	0E	C-RES,U 100K-1/16W J	LHSFD	CX-NSZ510
0 X	TAPE DECK	R 0401	88-108-104-080	0E	C-RES,U 100K-1/16W J	USM	CX-SNAJ310
X	TAPE DECK	R 0402	88-108-104-080	0E	C-RES,U 100K-1/16W J	EZSFD	CX-NSZ315
0 X	TAPE DECK	R 0402	88-108-104-080	0E	C-RES,U 100K-1/16W J	EZSFD	CX-NSZ310
0 X	TAPE DECK	R 0402	88-108-104-080	0E	C-RES,U 100K-1/16W J	KSFD	CX-NSZ310
0 X	TAPE DECK	R 0402	88-108-104-080	0E	C-RES,U 100K-1/16W J	LHSFD	CX-NSZ310
0 X	TAPE DECK	R 0402	88-108-104-080	0E	C-RES,U 100K-1/16W J	LHSFD	CX-NSZ510
0 X	TAPE DECK	R 0402	88-108-104-080	0E	C-RES,U 100K-1/16W J	USM	CX-SNAJ310
X	TAPE DECK	R 0403	88-108-102-080	0E	C-RES,U 1K-1/16W J	EZSFD	CX-NSZ315
0 X	TAPE DECK	R 0403	88-108-102-080	0E	C-RES,U 1K-1/16W J	EZSFD	CX-NSZ310
0 X	TAPE DECK	R 0403	88-108-102-080	0E	C-RES,U 1K-1/16W J	KSFD	CX-NSZ310
0 X	TAPE DECK	R 0403	88-108-102-080	0E	C-RES,U 1K-1/16W J	LHSFD	CX-NSZ310
0 X	TAPE DECK	R 0403	88-108-102-080	0E	C-RES,U 1K-1/16W J	USM	CX-SNAJ310
X	TAPE DECK	R 0404	88-108-102-080	0E	C-RES,U 1K-1/16W J	EZSFD	CX-NSZ315
0 X	TAPE DECK	R 0404	88-108-102-080	0E	C-RES,U 1K-1/16W J	EZSFD	CX-NSZ310
0 X	TAPE DECK	R 0404	88-108-102-080	0E	C-RES,U 1K-1/16W J	KSFD	CX-NSZ310
0 X	TAPE DECK	R 0404	88-108-102-080	0E	C-RES,U 1K-1/16W J	LHSFD	CX-NSZ310
0 X	TAPE DECK	R 0404	88-108-102-080	0E	C-RES,U 1K-1/16W J	LHSFD	CX-NSZ510
0 X	TAPE DECK	R 0404	88-108-102-080	0E	C-RES,U 1K-1/16W J	USM	CX-SNAJ310
X	TAPE DECK	R 0405	88-108-823-080	0E	C-RES,U 82K-1/16W J	EZSFD	CX-NSZ315
0 X	TAPE DECK	R 0405	88-108-823-080	0E	C-RES,U 82K-1/16W J	EZSFD	CX-NSZ310
0 X	TAPE DECK	R 0405	88-108-823-080	0E	C-RES,U 82K-1/16W J	KSFD	CX-NSZ310
0 X	TAPE DECK	R 0405	88-108-823-080	0E	C-RES,U 82K-1/16W J	LHSFD	CX-NSZ310
0 X	TAPE DECK	R 0405	88-108-823-080	0E	C-RES,U 82K-1/16W J	LHSFD	CX-NSZ510
0 X	TAPE DECK	R 0405	88-108-823-080	0E	C-RES,U 82K-1/16W J	USM	CX-SNAJ310
X	TAPE DECK	R 0406	88-108-823-080	0E	C-RES,U 82K-1/16W J	EZSFD	CX-NSZ315
0 X	TAPE DECK	R 0406	88-108-823-080	0E	C-RES,U 82K-1/16W J	EZSFD	CX-NSZ310
0 X	TAPE DECK	R 0406	88-108-823-080	0E	C-RES,U 82K-1/16W J	KSFD	CX-NSZ310
0 X	TAPE DECK	R 0406	88-108-823-080	0E	C-RES,U 82K-1/16W J	LHSFD	CX-NSZ310
0 X	TAPE DECK	R 0406	88-108-823-080	0E	C-RES,U 82K-1/16W J	LHSFD	CX-NSZ510
0 X	TAPE DECK	R 0406	88-108-823-080	0E	C-RES,U 82K-1/16W J	USM	CX-SNAJ310
X	TAPE DECK	R 0407	88-108-102-080	0E	C-RES,U 1K-1/16W J	EZSFD	CX-NSZ315
0 X	TAPE DECK	R 0407	88-108-102-080	0E	C-RES,U 1K-1/16W J	EZSFD	CX-NSZ310
0 X	TAPE DECK	R 0407	88-108-102-080	0E	C-RES,U 1K-1/16W J	KSFD	CX-NSZ310
0 X	TAPE DECK	R 0407	88-108-102-080	0E	C-RES,U 1K-1/16W J	LHSFD	CX-NSZ310
0 X	TAPE DECK	R 0407	88-108-102-080	0E	C-RES,U 1K-1/16W J	LHSFD	CX-NSZ510
0 X	TAPE DECK	R 0407	88-108-102-080	0E	C-RES,U 1K-1/16W J	USM	CX-SNAJ310
X	TAPE DECK	R 0408	88-108-102-080	0E	C-RES,U 1K-1/16W J	EZSFD	CX-NSZ315
0 X	TAPE DECK	R 0408	88-108-102-080	0E	C-RES,U 1K-1/16W J	EZSFD	CX-NSZ310
0 X	TAPE DECK	R 0408	88-108-102-080	0E	C-RES,U 1K-1/16W J	KSFD	CX-NSZ310
0 X	TAPE DECK	R 0408	88-108-102-080	0E	C-RES,U 1K-1/16W J	LHSFD	CX-NSZ310
0 X	TAPE DECK	R 0408	88-108-102-080	0E	C-RES,U 1K-1/16W J	LHSFD	CX-NSZ510
0 X	TAPE DECK	R 0408	88-108-102-080	0E	C-RES,U 1K-1/16W J	USM	CX-SNAJ310
X	TAPE DECK	R 0409	88-108-122-080	0E	C-RES,U 1.2K-1/16W J	EZSFD	CX-NSZ315
0 X	TAPE DECK	R 0409	88-108-122-080	0E	C-RES,U 1.2K-1/16W J	EZSFD	CX-NSZ310
0 X	TAPE DECK	R 0409	88-108-122-080	0E	C-RES,U 1.2K-1/16W J	KSFD	CX-NSZ310
0 X	TAPE DECK	R 0409	88-108-122-080	0E	C-RES,U 1.2K-1/16W J	LHSFD	CX-NSZ310
0 X	TAPE DECK	R 0409	88-108-122-080	0E	C-RES,U 1.2K-1/16W J	LHSFD	CX-NSZ510
0 X	TAPE DECK	R 0409	88-108-122-080	0E	C-RES,U 1.2K-1/16W J	USM	CX-SNAJ310
X	TAPE DECK	R 0410	88-108-122-080	0E	C-RES,U 1.2K-1/16W J	EZSFD	CX-NSZ315
0 X	TAPE DECK	R 0410	88-108-122-080	0E	C-RES,U 1.2K-1/16W J	EZSFD	CX-NSZ310
0 X	TAPE DECK	R 0410	88-108-122-080	0E	C-RES,U 1.2K-1/16W J	KSFD	CX-NSZ310
0 X	TAPE DECK	R 0410	88-108-122-080	0E	C-RES,U 1.2K-1/16W J	LHSFD	CX-NSZ310
0 X	TAPE DECK	R 0410	88-108-122-080	0E	C-RES,U 1.2K-1/16W J	LHSFD	CX-NSZ510
0 X	TAPE DECK	R 0410	88-108-122-080	0E	C-RES,U 1.2K-1/16W J	USM	CX-SNAJ310
X	TAPE DECK	R 0411	88-108-153-080	0E	C-RES,U 15K-1/16W J	EZSFD	CX-NSZ315
0 X	TAPE DECK	R 0411	88-108-153-080	0E	C-RES,U 15K-1/16W J	EZSFD	CX-NSZ310
0 X	TAPE DECK	R 0411	88-108-153-080	0E	C-RES,U 15K-1/16W J	KSFD	CX-NSZ310
0 X	TAPE DECK	R 0411	88-108-153-080	0E	C-RES,U 15K-1/16W J	LHSFD	CX-NSZ310
0 X	TAPE DECK	R 0411	88-108-153-080	0E	C-RES,U 15K-1/16W J	LHSFD	CX-NSZ510
0 X	TAPE DECK	R 0411	88-108-153-080	0E	C-RES,U 15K-1/16W J	USM	CX-SNAJ310
X	TAPE DECK	R 0412	88-108-153-080	0E	C-RES,U 15K-1/16W J	EZSFD	CX-NSZ315
0 X	TAPE DECK	R 0412	88-108-153-080	0E	C-RES,U 15K-1/16W J	EZSFD	CX-NSZ310
0 X	TAPE DECK	R 0412	88-108-153-080	0E	C-RES,U 15K-1/16W J	KSFD	CX-NSZ310
0 X	TAPE DECK	R 0412	88-108-153-080	0E	C-RES,U 15K-1/16W J	LHSFD	CX-NSZ310
0 X	TAPE DECK	R 0412	88-108-153-080	0E	C-RES,U 15K-1/16W J	LHSFD	CX-NSZ510
0 X	TAPE DECK	R 0412	88-108-153-080	0E	C-RES,U 15K-1/16W J	USM	CX-SNAJ310
X	TAPE DECK	R 0413	88-108-222-080	0E	C-RES,U 2.2K-1/16W J	EZSFD	CX-NSZ315
0 X	TAPE DECK	R 0413	88-108-222-080	0E	C-RES,U 2.2K-1/16W J	EZSFD	CX-NSZ310

# PARTS LIST

! =  $\Delta$  SAFTY PARTS  
 C = Components marked

All components used on this model at the production line are shown in this service manual.

However, please note that not all components will be available as spare parts for after-sales service.

Components marked S and O are designated as spare parts for service and will be stocked at the spare parts centers.

Components marked X and R are not designated as spare parts for after sales service, and will not be stocked at the spare parts centers.

K NO. = Only use japanese.

! C	UNIT NAME	REF NO.	PARTS CODE	K NO.	DESCRIPTION	SUFFIX	MODEL NAME
0 X	TAPE DECK	R 0413	88-108-222-080	0E	C-RES,U 2.2K-1/16W J	KSFD	CX-NSZ310
0 X	TAPE DECK	R 0413	88-108-222-080	0E	C-RES,U 2.2K-1/16W J	LHSFD	CX-NSZ310
0 X	TAPE DECK	R 0413	88-108-222-080	0E	C-RES,U 2.2K-1/16W J	LHSFD	CX-NSZ510
0 X	TAPE DECK	R 0413	88-108-222-080	0E	C-RES,U 2.2K-1/16W J	USM	CX-SNAJ310
X	TAPE DECK	R 0414	88-108-222-080	0E	C-RES,U 2.2K-1/16W J	EZSFD	CX-NSZ315
0 X	TAPE DECK	R 0414	88-108-222-080	0E	C-RES,U 2.2K-1/16W J	EZSFD	CX-NSZ310
0 X	TAPE DECK	R 0414	88-108-222-080	0E	C-RES,U 2.2K-1/16W J	KSFD	CX-NSZ310
0 X	TAPE DECK	R 0414	88-108-222-080	0E	C-RES,U 2.2K-1/16W J	LHSFD	CX-NSZ310
0 X	TAPE DECK	R 0414	88-108-222-080	0E	C-RES,U 2.2K-1/16W J	LHSFD	CX-NSZ510
0 X	TAPE DECK	R 0414	88-108-222-080	0E	C-RES,U 2.2K-1/16W J	USM	CX-SNAJ310
X	TAPE DECK	R 0415	88-108-681-080	0E	C-RES,U 680-1/16W J	EZSFD	CX-NSZ315
0 X	TAPE DECK	R 0415	88-108-681-080	0E	C-RES,U 680-1/16W J	EZSFD	CX-NSZ310
0 X	TAPE DECK	R 0415	88-108-681-080	0E	C-RES,U 680-1/16W J	KSFD	CX-NSZ310
0 X	TAPE DECK	R 0415	88-108-681-080	0E	C-RES,U 680-1/16W J	LHSFD	CX-NSZ310
0 X	TAPE DECK	R 0415	88-108-681-080	0E	C-RES,U 680-1/16W J	LHSFD	CX-NSZ510
0 X	TAPE DECK	R 0415	88-108-681-080	0E	C-RES,U 680-1/16W J	USM	CX-SNAJ310
X	TAPE DECK	R 0416	88-108-681-080	0E	C-RES,U 680-1/16W J	EZSFD	CX-NSZ315
0 X	TAPE DECK	R 0416	88-108-681-080	0E	C-RES,U 680-1/16W J	EZSFD	CX-NSZ310
0 X	TAPE DECK	R 0416	88-108-681-080	0E	C-RES,U 680-1/16W J	KSFD	CX-NSZ310
0 X	TAPE DECK	R 0416	88-108-681-080	0E	C-RES,U 680-1/16W J	LHSFD	CX-NSZ310
0 X	TAPE DECK	R 0416	88-108-681-080	0E	C-RES,U 680-1/16W J	LHSFD	CX-NSZ510
0 X	TAPE DECK	R 0416	88-108-681-080	0E	C-RES,U 680-1/16W J	USM	CX-SNAJ310
X	TAPE DECK	R 0417	88-108-103-080	0E	C-RES,U 10K-1/16W J	EZSFD	CX-NSZ315
0 X	TAPE DECK	R 0417	88-108-103-080	0E	C-RES,U 10K-1/16W J	EZSFD	CX-NSZ310
0 X	TAPE DECK	R 0417	88-108-103-080	0E	C-RES,U 10K-1/16W J	KSFD	CX-NSZ310
0 X	TAPE DECK	R 0417	88-108-103-080	0E	C-RES,U 10K-1/16W J	LHSFD	CX-NSZ310
0 X	TAPE DECK	R 0417	88-108-103-080	0E	C-RES,U 10K-1/16W J	LHSFD	CX-NSZ510
0 X	TAPE DECK	R 0417	88-108-103-080	0E	C-RES,U 10K-1/16W J	USM	CX-SNAJ310
X	TAPE DECK	R 0418	88-108-103-080	0E	C-RES,U 10K-1/16W J	EZSFD	CX-NSZ315
0 X	TAPE DECK	R 0418	88-108-103-080	0E	C-RES,U 10K-1/16W J	EZSFD	CX-NSZ310
0 X	TAPE DECK	R 0418	88-108-103-080	0E	C-RES,U 10K-1/16W J	KSFD	CX-NSZ310
0 X	TAPE DECK	R 0418	88-108-103-080	0E	C-RES,U 10K-1/16W J	LHSFD	CX-NSZ310
0 X	TAPE DECK	R 0418	88-108-103-080	0E	C-RES,U 10K-1/16W J	LHSFD	CX-NSZ510
0 X	TAPE DECK	R 0418	88-108-103-080	0E	C-RES,U 10K-1/16W J	USM	CX-SNAJ310
X	TAPE DECK	R 0419	88-108-222-080	0E	C-RES,U 2.2K-1/16W J	EZSFD	CX-NSZ315
0 X	TAPE DECK	R 0419	88-108-222-080	0E	C-RES,U 2.2K-1/16W J	EZSFD	CX-NSZ310
0 X	TAPE DECK	R 0419	88-108-222-080	0E	C-RES,U 2.2K-1/16W J	KSFD	CX-NSZ310
0 X	TAPE DECK	R 0419	88-108-222-080	0E	C-RES,U 2.2K-1/16W J	LHSFD	CX-NSZ310
0 X	TAPE DECK	R 0419	88-108-222-080	0E	C-RES,U 2.2K-1/16W J	LHSFD	CX-NSZ510
0 X	TAPE DECK	R 0419	88-108-222-080	0E	C-RES,U 2.2K-1/16W J	USM	CX-SNAJ310
X	TAPE DECK	R 0420	88-108-222-080	0E	C-RES,U 2.2K-1/16W J	EZSFD	CX-NSZ315
0 X	TAPE DECK	R 0420	88-108-222-080	0E	C-RES,U 2.2K-1/16W J	EZSFD	CX-NSZ310
0 X	TAPE DECK	R 0420	88-108-222-080	0E	C-RES,U 2.2K-1/16W J	KSFD	CX-NSZ310
0 X	TAPE DECK	R 0420	88-108-222-080	0E	C-RES,U 2.2K-1/16W J	LHSFD	CX-NSZ310
0 X	TAPE DECK	R 0420	88-108-222-080	0E	C-RES,U 2.2K-1/16W J	LHSFD	CX-NSZ510
0 X	TAPE DECK	R 0420	88-108-222-080	0E	C-RES,U 2.2K-1/16W J	USM	CX-SNAJ310
X	TAPE DECK	R 0421	88-108-223-080	0E	C-RES,U 22K-1/16W J	EZSFD	CX-NSZ315
0 X	TAPE DECK	R 0421	88-108-223-080	0E	C-RES,U 22K-1/16W J	EZSFD	CX-NSZ310
0 X	TAPE DECK	R 0421	88-108-223-080	0E	C-RES,U 22K-1/16W J	KSFD	CX-NSZ310
0 X	TAPE DECK	R 0421	88-108-223-080	0E	C-RES,U 22K-1/16W J	LHSFD	CX-NSZ310
0 X	TAPE DECK	R 0421	88-108-223-080	0E	C-RES,U 22K-1/16W J	LHSFD	CX-NSZ510
0 X	TAPE DECK	R 0421	88-108-223-080	0E	C-RES,U 22K-1/16W J	USM	CX-SNAJ310
X	TAPE DECK	R 0423	88-108-183-080	0E	C-RES,U 18K-1/16W J	EZSFD	CX-NSZ315
0 X	TAPE DECK	R 0423	88-108-183-080	0E	C-RES,U 18K-1/16W J	EZSFD	CX-NSZ310
0 X	TAPE DECK	R 0423	88-108-183-080	0E	C-RES,U 18K-1/16W J	KSFD	CX-NSZ310
0 X	TAPE DECK	R 0423	88-108-183-080	0E	C-RES,U 18K-1/16W J	LHSFD	CX-NSZ310
0 X	TAPE DECK	R 0423	88-108-183-080	0E	C-RES,U 18K-1/16W J	LHSFD	CX-NSZ510
0 X	TAPE DECK	R 0423	88-108-183-080	0E	C-RES,U 18K-1/16W J	USM	CX-SNAJ310
X	TAPE DECK	R 0424	88-108-183-080	0E	C-RES,U 18K-1/16W J	EZSFD	CX-NSZ315
0 X	TAPE DECK	R 0424	88-108-183-080	0E	C-RES,U 18K-1/16W J	EZSFD	CX-NSZ310
0 X	TAPE DECK	R 0424	88-108-183-080	0E	C-RES,U 18K-1/16W J	KSFD	CX-NSZ310
0 X	TAPE DECK	R 0424	88-108-183-080	0E	C-RES,U 18K-1/16W J	LHSFD	CX-NSZ310
0 X	TAPE DECK	R 0424	88-108-183-080	0E	C-RES,U 18K-1/16W J	LHSFD	CX-NSZ510
0 X	TAPE DECK	R 0424	88-108-183-080	0E	C-RES,U 18K-1/16W J	USM	CX-SNAJ310

# PARTS LIST

! =  $\Delta$  SAFETY PARTS  
 C = Components marked

All components used on this model at the production line are shown in this service manual.

However, please note that not all components will be available as spare parts for after-sales service.

Components marked S and O are designated as spare parts for service and will be stocked at the spare parts centers.

Components marked X and R are not designated as spare parts for after sales service, and will not be stocked at the spare parts centers.

K NO. = Only use Japanese.

! C	UNIT NAME	REF NO.	PARTS CODE	K NO.	DESCRIPTION	SUFFIX	MODEL NAME
0 X	TAPE DECK	R 0453	88-118-152-080	0E	C-RES,S 1.5K-1/10W J	EZSFD	CX-NSZ315
0 X	TAPE DECK	R 0453	88-118-152-080	0E	C-RES,S 1.5K-1/10W J	EZSFD	CX-NSZ310
0 X	TAPE DECK	R 0453	88-118-152-080	0E	C-RES,S 1.5K-1/10W J	KSFD	CX-NSZ310
0 X	TAPE DECK	R 0453	88-118-152-080	0E	C-RES,S 1.5K-1/10W J	LHSFD	CX-NSZ310
0 X	TAPE DECK	R 0453	88-118-152-080	0E	C-RES,S 1.5K-1/10W J	LHSFD	CX-NSZ510
0 X	TAPE DECK	R 0453	88-118-152-080	0E	C-RES,S 1.5K-1/10W J	USM	CX-SNAJ310
X	TAPE DECK	R 0454	88-128-829-080	0E	C-RES, 8.2-1/8W J	EZSFD	CX-NSZ315
0 X	TAPE DECK	R 0454	88-128-829-080	0E	C-RES, 8.2-1/8W J	EZSFD	CX-NSZ310
0 X	TAPE DECK	R 0454	88-128-829-080	0E	C-RES, 8.2-1/8W J	KSFD	CX-NSZ310
0 X	TAPE DECK	R 0454	88-128-829-080	0E	C-RES, 8.2-1/8W J	EZSFD	CX-NSZ310
0 X	TAPE DECK	R 0454	88-128-829-080	0E	C-RES, 8.2-1/8W J	LHSFD	CX-NSZ310
0 X	TAPE DECK	R 0454	88-128-829-080	0E	C-RES, 8.2-1/8W J	LHSFD	CX-NSZ510
0 X	TAPE DECK	R 0454	88-128-829-080	0E	C-RES, 8.2-1/8W J	USM	CX-SNAJ310
X	TAPE DECK	R 0455	88-108-183-080	0E	C-RES,U 18K-1/16W J	EZSFD	CX-NSZ315
0 X	TAPE DECK	R 0455	88-108-183-080	0E	C-RES,U 18K-1/16W J	EZSFD	CX-NSZ310
0 X	TAPE DECK	R 0455	88-108-183-080	0E	C-RES,U 18K-1/16W J	KSFD	CX-NSZ310
0 X	TAPE DECK	R 0455	88-108-183-080	0E	C-RES,U 18K-1/16W J	LHSFD	CX-NSZ310
0 X	TAPE DECK	R 0455	88-108-183-080	0E	C-RES,U 18K-1/16W J	LHSFD	CX-NSZ510
0 X	TAPE DECK	R 0455	88-108-183-080	0E	C-RES,U 18K-1/16W J	USM	CX-SNAJ310
X	TAPE DECK	R 0456	88-108-183-080	0E	C-RES,U 18K-1/16W J	EZSFD	CX-NSZ315
0 X	TAPE DECK	R 0456	88-108-183-080	0E	C-RES,U 18K-1/16W J	EZSFD	CX-NSZ310
0 X	TAPE DECK	R 0456	88-108-183-080	0E	C-RES,U 18K-1/16W J	KSFD	CX-NSZ310
0 X	TAPE DECK	R 0456	88-108-183-080	0E	C-RES,U 18K-1/16W J	LHSFD	CX-NSZ310
0 X	TAPE DECK	R 0456	88-108-183-080	0E	C-RES,U 18K-1/16W J	LHSFD	CX-NSZ510
0 X	TAPE DECK	R 0456	88-108-183-080	0E	C-RES,U 18K-1/16W J	USM	CX-SNAJ310
X	TAPE DECK	R 0457	88-130-100-080	0E	RES,10-1/4W J	EZSFD	CX-NSZ315
0 X	TAPE DECK	R 0457	88-130-100-080	0E	RES,10-1/4W J	EZSFD	CX-NSZ310
0 X	TAPE DECK	R 0457	88-130-100-080	0E	RES,10-1/4W J	KSFD	CX-NSZ310
0 X	TAPE DECK	R 0457	88-130-100-080	0E	RES,10-1/4W J	LHSFD	CX-NSZ310
0 X	TAPE DECK	R 0457	88-130-100-080	0E	RES,10-1/4W J	LHSFD	CX-NSZ510
0 X	TAPE DECK	R 0457	88-130-100-080	0E	RES,10-1/4W J	USM	CX-SNAJ310
X	TAPE DECK	R 0458	88-121-104-080	0E	RES,100K-1/8W J	EZSFD	CX-NSZ315
0 X	TAPE DECK	R 0458	88-121-104-080	0E	RES,100K-1/8W J	EZSFD	CX-NSZ310
0 X	TAPE DECK	R 0458	88-121-104-080	0E	RES,100K-1/8W J	KSFD	CX-NSZ310
0 X	TAPE DECK	R 0458	88-121-104-080	0E	RES,100K-1/8W J	LHSFD	CX-NSZ310
0 X	TAPE DECK	R 0458	88-121-104-080	0E	RES,100K-1/8W J	LHSFD	CX-NSZ510
0 X	TAPE DECK	R 0458	88-121-104-080	0E	RES,100K-1/8W J	USM	CX-SNAJ310
X	TAPE DECK	R 0459	88-128-150-080	0E	C-RES, 15-1/8W J	EZSFD	CX-NSZ315
0 X	TAPE DECK	R 0459	88-128-150-080	0E	C-RES, 15-1/8W J	EZSFD	CX-NSZ310
0 X	TAPE DECK	R 0459	88-128-150-080	0E	C-RES, 15-1/8W J	KSFD	CX-NSZ310
0 X	TAPE DECK	R 0459	88-128-150-080	0E	C-RES, 15-1/8W J	LHSFD	CX-NSZ310
0 X	TAPE DECK	R 0459	88-128-150-080	0E	C-RES, 15-1/8W J	LHSFD	CX-NSZ510
0 X	TAPE DECK	R 0459	88-128-150-080	0E	C-RES, 15-1/8W J	USM	CX-SNAJ310
X	TAPE DECK	R 0460	88-140-100-080	0E	RES,10-1/2W J	EZSFD	CX-NSZ315
0 X	TAPE DECK	R 0460	88-140-100-080	0E	RES,10-1/2W J	EZSFD	CX-NSZ310
0 X	TAPE DECK	R 0460	88-140-100-080	0E	RES,10-1/2W J	KSFD	CX-NSZ310
0 X	TAPE DECK	R 0460	88-140-100-080	0E	RES,10-1/2W J	LHSFD	CX-NSZ310
0 X	TAPE DECK	R 0460	88-140-100-080	0E	RES,10-1/2W J	LHSFD	CX-NSZ510
0 X	TAPE DECK	R 0460	88-140-100-080	0E	RES,10-1/2W J	USM	CX-SNAJ310
X	TAPE DECK	R 0461	88-108-103-080	0E	C-RES,U 10K-1/16W J	EZSFD	CX-NSZ315
0 X	TAPE DECK	R 0461	88-108-103-080	0E	C-RES,U 10K-1/16W J	EZSFD	CX-NSZ310
0 X	TAPE DECK	R 0461	88-108-103-080	0E	C-RES,U 10K-1/16W J	KSFD	CX-NSZ310
0 X	TAPE DECK	R 0462	88-108-471-080	0E	C-RES,U 470-1/16W J	EZSFD	CX-NSZ315
0 X	TAPE DECK	R 0462	88-108-471-080	0E	C-RES,U 470-1/16W J	EZSFD	CX-NSZ310
0 X	TAPE DECK	R 0462	88-108-471-080	0E	C-RES,U 470-1/16W J	KSFD	CX-NSZ310
0 O	TAPE DECK	SFR0451	87-024-435-080	0E	SFR,33K H RH063MC	EZSFD	CX-NSZ315
0 O	TAPE DECK	SFR0451	87-024-435-080	0E	SFR,33K H RH063MC	EZSFD	CX-NSZ310
0 O	TAPE DECK	SFR0451	87-024-435-080	0E	SFR,33K H RH063MC	KSFD	CX-NSZ310
0 O	TAPE DECK	SFR0451	87-024-435-080	0E	SFR,33K H RH063MC	LHSFD	CX-NSZ310
0 O	TAPE DECK	SFR0451	87-024-435-080	0E	SFR,33K H RH063MC	LHSFD	CX-NSZ510
0 O	TAPE DECK	SFR0451	87-024-435-080	0E	SFR,33K H RH063MC	USM	CX-SNAJ310
O	TUNER (FM FE)	C 0901	87-018-145-080	0E	CAP,TC U 6.8P-50 K CH UP050	LHSFD	CX-NSZ310
O	TUNER (FM FE)	C 0901	87-018-145-080	0E	CAP,TC U 6.8P-50 K CH UP050	LHSFD	CX-NSZ510
O	TUNER (FM FE)	C 0901	87-018-145-080	0E	CAP,TC U 6.8P-50 K CH UP050	USM	CX-SNAJ310
O	TUNER (FM FE)	C 0904	87-012-286-080	0E	C-CAP,U 0.01-25 K B	LHSFD	CX-NSZ310

# PARTS LIST

! =  $\Delta$  SAFTY PARTS  
 C = Components marked

All components used on this model at the production line are shown in this service manual.

However, please note that not all components will be available as spare parts for after-sales service.

Components marked S and O are designated as spare parts for service and will be stocked at the spare parts centers.

Components marked X and R are not designated as spare parts for after sales service, and will not be stocked at the spare parts centers.

K NO. = Only use japanese.

! C	UNIT NAME	REF NO.	PARTS CODE	K NO.	DESCRIPTION	SUFFIX	MODEL NAME
0 O	TUNER (FM FE)	C	0904 87-012-286-080	0E	C-CAP,U 0.01-25 K B	LHSFD	CX-NSZ510
0 O	TUNER (FM FE)	C	0904 87-012-286-080	0E	C-CAP,U 0.01-25 K B	USM	CX-SNAJ310
0 O	TUNER (FM FE)	C	0905 87-012-286-080	0E	C-CAP,U 0.01-25 K B	LHSFD	CX-NSZ310
0 O	TUNER (FM FE)	C	0905 87-012-286-080	0E	C-CAP,U 0.01-25 K B	LHSFD	CX-NSZ510
0 O	TUNER (FM FE)	C	0905 87-012-286-080	0E	C-CAP,U 0.01-25 K B	USM	CX-SNAJ310
0 O	TUNER (FM FE)	C	0907 87-012-286-080	0E	C-CAP,U 0.01-25 K B	LHSFD	CX-NSZ310
0 O	TUNER (FM FE)	C	0907 87-012-286-080	0E	C-CAP,U 0.01-25 K B	LHSFD	CX-NSZ510
0 O	TUNER (FM FE)	C	0907 87-012-286-080	0E	C-CAP,U 0.01-25 K B	USM	CX-SNAJ310
0 O	TUNER (FM FE)	C	0908 87-A10-915-080	0E	C-CAP,U 1000P-25 J CH	LHSFD	CX-NSZ310
0 O	TUNER (FM FE)	C	0908 87-A10-915-080	0E	C-CAP,U 1000P-25 J CH	LHSFD	CX-NSZ510
0 O	TUNER (FM FE)	C	0908 87-A10-915-080	0E	C-CAP,U 1000P-25 J CH	USM	CX-SNAJ310
0 O	TUNER (FM FE)	C	0909 87-012-286-080	0E	C-CAP,U 0.01-25 K B	LHSFD	CX-NSZ310
0 O	TUNER (FM FE)	C	0909 87-012-286-080	0E	C-CAP,U 0.01-25 K B	LHSFD	CX-NSZ510
0 O	TUNER (FM FE)	C	0909 87-012-286-080	0E	C-CAP,U 0.01-25 K B	USM	CX-SNAJ310
0 O	TUNER (FM FE)	C	0910 87-012-174-080	0E	C-CAP,U 12P-50 J CH	LHSFD	CX-NSZ310
0 O	TUNER (FM FE)	C	0910 87-012-174-080	0E	C-CAP,U 12P-50 J CH	LHSFD	CX-NSZ510
0 O	TUNER (FM FE)	C	0910 87-012-174-080	0E	C-CAP,U 12P-50 J CH	USM	CX-SNAJ310
0 O	TUNER (FM FE)	C	0911 87-012-170-080	0E	C-CAP,U 8P-50 D CH	LHSFD	CX-NSZ310
0 O	TUNER (FM FE)	C	0911 87-012-170-080	0E	C-CAP,U 8P-50 D CH	LHSFD	CX-NSZ510
0 O	TUNER (FM FE)	C	0911 87-012-170-080	0E	C-CAP,U 8P-50 D CH	USM	CX-SNAJ310
0 O	TUNER (FM FE)	C	0912 87-012-195-080	0E	C-CAP,U 100P-50 J CH	LHSFD	CX-NSZ310
0 O	TUNER (FM FE)	C	0912 87-012-195-080	0E	C-CAP,U 100P-50 J CH	LHSFD	CX-NSZ510
0 O	TUNER (FM FE)	C	0912 87-012-195-080	0E	C-CAP,U 100P-50 J CH	USM	CX-SNAJ310
0 O	TUNER (FM FE)	C	0913 87-012-286-080	0E	C-CAP,U 0.01-25 K B	LHSFD	CX-NSZ310
0 O	TUNER (FM FE)	C	0913 87-012-286-080	0E	C-CAP,U 0.01-25 K B	LHSFD	CX-NSZ510
0 O	TUNER (FM FE)	C	0913 87-012-286-080	0E	C-CAP,U 0.01-25 K B	USM	CX-SNAJ310
0 O	TUNER (FM FE)	C	0914 87-012-166-080	0E	C-CAP,U 4P-50 C CH	LHSFD	CX-NSZ310
0 O	TUNER (FM FE)	C	0914 87-012-166-080	0E	C-CAP,U 4P-50 C CH	LHSFD	CX-NSZ510
0 O	TUNER (FM FE)	C	0914 87-012-166-080	0E	C-CAP,U 4P-50 C CH	USM	CX-SNAJ310
0 O	TUNER (FM FE)	C	0915 87-012-174-080	0E	C-CAP,U 12P-50 J CH	LHSFD	CX-NSZ310
0 O	TUNER (FM FE)	C	0915 87-012-174-080	0E	C-CAP,U 12P-50 J CH	LHSFD	CX-NSZ510
0 O	TUNER (FM FE)	C	0915 87-012-174-080	0E	C-CAP,U 12P-50 J CH	USM	CX-SNAJ310
0 O	TUNER (FM FE)	C	0916 87-012-180-080	0E	C-CAP,U 22P-50 J CH	LHSFD	CX-NSZ310
0 O	TUNER (FM FE)	C	0916 87-012-180-080	0E	C-CAP,U 22P-50 J CH	LHSFD	CX-NSZ510
0 O	TUNER (FM FE)	C	0916 87-012-180-080	0E	C-CAP,U 22P-50 J CH	USM	CX-SNAJ310
0 O	TUNER (FM FE)	C	0917 87-012-186-080	0E	C-CAP,U 39P-50 J CH	LHSFD	CX-NSZ310
0 O	TUNER (FM FE)	C	0917 87-012-186-080	0E	C-CAP,U 39P-50 J CH	LHSFD	CX-NSZ510
0 O	TUNER (FM FE)	C	0917 87-012-186-080	0E	C-CAP,U 39P-50 J CH	USM	CX-SNAJ310
0 O	TUNER (FM FE)	C	0918 87-A10-039-080	0E	C-CAP,U 470P-50 J CH	LHSFD	CX-NSZ310
0 O	TUNER (FM FE)	C	0918 87-A10-039-080	0E	C-CAP,U 470P-50 J CH	LHSFD	CX-NSZ510
0 O	TUNER (FM FE)	C	0918 87-A10-039-080	0E	C-CAP,U 470P-50 J CH	USM	CX-SNAJ310
0 O	TUNER (FM FE)	C	0921 87-012-195-080	0E	C-CAP,U 100P-50 J CH	LHSFD	CX-NSZ310
0 O	TUNER (FM FE)	C	0921 87-012-195-080	0E	C-CAP,U 100P-50 J CH	LHSFD	CX-NSZ510
0 O	TUNER (FM FE)	C	0921 87-012-195-080	0E	C-CAP,U 100P-50 J CH	USM	CX-SNAJ310
0 O	TUNER (FM FE)	C	0922 87-012-174-080	0E	C-CAP,U 12P-50 J CH	LHSFD	CX-NSZ310
0 O	TUNER (FM FE)	C	0922 87-012-174-080	0E	C-CAP,U 12P-50 J CH	LHSFD	CX-NSZ510
0 O	TUNER (FM FE)	C	0922 87-012-174-080	0E	C-CAP,U 12P-50 J CH	USM	CX-SNAJ310
0 O	TUNER (FM FE)	D	0902 87-A40-128-080	0E	C-VARI-CAP,HVU202A	LHSFD	CX-NSZ310
0 O	TUNER (FM FE)	D	0902 87-A40-128-080	0E	C-VARI-CAP,HVU202A	LHSFD	CX-NSZ510
0 O	TUNER (FM FE)	D	0902 87-A40-128-080	0E	C-VARI-CAP,HVU202A	USM	CX-SNAJ310
0 O	TUNER (FM FE)	D	0903 87-A40-128-080	0E	C-VARI-CAP,HVU202A	LHSFD	CX-NSZ310
0 O	TUNER (FM FE)	D	0903 87-A40-128-080	0E	C-VARI-CAP,HVU202A	LHSFD	CX-NSZ510
0 O	TUNER (FM FE)	D	0903 87-A40-128-080	0E	C-VARI-CAP,HVU202A	USM	CX-SNAJ310
0 O	TUNER (FM FE)	L	0902 88-ZA1-602-110	0E	COIL, FM-RF-U2 2G	LHSFD	CX-NSZ310
0 O	TUNER (FM FE)	L	0902 88-ZA1-602-110	0E	COIL, FM-RF-U2 2G	LHSFD	CX-NSZ510
0 O	TUNER (FM FE)	L	0902 88-ZA1-602-110	0E	COIL, FM-RF-U2 2G	USM	CX-SNAJ310
0 O	TUNER (FM FE)	L	0903 88-ZA1-601-010	0E	COIL, FM-RF-U1 2G	LHSFD	CX-NSZ310
0 O	TUNER (FM FE)	L	0903 88-ZA1-601-010	0E	COIL, FM-RF-U1 2G	LHSFD	CX-NSZ510
0 O	TUNER (FM FE)	L	0903 88-ZA1-601-010	0E	COIL, FM-RF-U1 2G	USM	CX-SNAJ310
0 O	TUNER (FM FE)	L	0904 87-005-847-080	0E	COIL, 2.2UH K CECS	LHSFD	CX-NSZ310
0 O	TUNER (FM FE)	L	0904 87-005-847-080	0E	COIL, 2.2UH K CECS	LHSFD	CX-NSZ510
0 O	TUNER (FM FE)	L	0904 87-005-847-080	0E	COIL, 2.2UH K CECS	USM	CX-SNAJ310
0 O	TUNER (FM FE)	L	0905 88-ZA1-624-010	0E	COIL, FM IFT 7-6.2 (COILS)	LHSFD	CX-NSZ310
0 O	TUNER (FM FE)	L	0905 88-ZA1-624-010	0E	COIL, FM IFT 7-6.2 (COILS)	LHSFD	CX-NSZ510
0 O	TUNER (FM FE)	L	0905 88-ZA1-624-010	0E	COIL, FM IFT 7-6.2 (COILS)	USM	CX-SNAJ310
0 O	TUNER (FM FE)	L	0906 88-ZA1-603-010	0E	COIL, FM-OSC-U 2G	LHSFD	CX-NSZ310
0 O	TUNER (FM FE)	L	0906 88-ZA1-603-010	0E	COIL, FM-OSC-U 2G	LHSFD	CX-NSZ510
0 O	TUNER (FM FE)	L	0906 88-ZA1-603-010	0E	COIL, FM-OSC-U 2G	USM	CX-SNAJ310
0 S	TUNER (FM FE)	Q	0901 89-503-602-080	1A	C-FET,2SK360E	LHSFD	CX-NSZ310
0 S	TUNER (FM FE)	Q	0901 89-503-602-080	1A	C-FET,2SK360E	LHSFD	CX-NSZ510

# PARTS LIST

! =  $\Delta$  SAFTY PARTS  
 C = Components marked

All components used on this model at the production line are shown in this service manual.  
 However, please note that not all components will be available as spare parts for after-sales service.  
 Components marked S and O are designated as spare parts for service and will be stocked at the spare parts centers.  
 Components marked X and R are not designated as spare parts for after sales service, and will not be stocked at the spare parts centers.  
 K NO. = Only use japanese.

! C	UNIT NAME	REF NO.	PARTS CODE	K NO.	DESCRIPTION	SUFFIX	MODEL NAME
0 S	TUNER (FM FE)	Q	0901 89-503-602-080	1A	C-FET,2SK360E	USM	CX-SNAJ310
0 S	TUNER (FM FE)	Q	0902 89-327-143-080	0E	C-TR,2SC27140	LHSFD	CX-NSZ310
0 S	TUNER (FM FE)	Q	0902 89-327-143-080	0E	C-TR,2SC27140	LHSFD	CX-NSZ510
0 S	TUNER (FM FE)	Q	0902 89-327-143-080	0E	C-TR,2SC27140	USM	CX-SNAJ310
0 S	TUNER (FM FE)	Q	0903 89-327-143-080	0E	C-TR,2SC27140	LHSFD	CX-NSZ310
0 S	TUNER (FM FE)	Q	0903 89-327-143-080	0E	C-TR,2SC27140	LHSFD	CX-NSZ510
0 S	TUNER (FM FE)	Q	0903 89-327-143-080	0E	C-TR,2SC27140	USM	CX-SNAJ310
0 X	TUNER (FM FE)	R	0903 88-108-471-080	0E	C-RES,U 470-1/16W J	LHSFD	CX-NSZ310
0 X	TUNER (FM FE)	R	0903 88-108-471-080	0E	C-RES,U 470-1/16W J	LHSFD	CX-NSZ510
0 X	TUNER (FM FE)	R	0903 88-108-471-080	0E	C-RES,U 470-1/16W J	USM	CX-SNAJ310
0 X	TUNER (FM FE)	R	0904 88-108-473-080	0E	C-RES,U 47K-1/16W J	LHSFD	CX-NSZ310
0 X	TUNER (FM FE)	R	0904 88-108-473-080	0E	C-RES,U 47K-1/16W J	LHSFD	CX-NSZ510
0 X	TUNER (FM FE)	R	0904 88-108-473-080	0E	C-RES,U 47K-1/16W J	USM	CX-SNAJ310
0 X	TUNER (FM FE)	R	0905 88-108-564-080	0E	C-RES,U 560K-1/16W J	LHSFD	CX-NSZ310
0 X	TUNER (FM FE)	R	0905 88-108-564-080	0E	C-RES,U 560K-1/16W J	LHSFD	CX-NSZ510
0 X	TUNER (FM FE)	R	0905 88-108-564-080	0E	C-RES,U 560K-1/16W J	USM	CX-SNAJ310
0 X	TUNER (FM FE)	R	0907 88-108-472-080	0E	C-RES,U 4.7K-1/16W J	LHSFD	CX-NSZ310
0 X	TUNER (FM FE)	R	0907 88-108-472-080	0E	C-RES,U 4.7K-1/16W J	LHSFD	CX-NSZ510
0 X	TUNER (FM FE)	R	0907 88-108-472-080	0E	C-RES,U 4.7K-1/16W J	USM	CX-SNAJ310
0 X	TUNER (FM FE)	R	0908 88-108-121-080	0E	C-RES,U 120-1/16W J	LHSFD	CX-NSZ310
0 X	TUNER (FM FE)	R	0908 88-108-121-080	0E	C-RES,U 120-1/16W J	LHSFD	CX-NSZ510
0 X	TUNER (FM FE)	R	0908 88-108-121-080	0E	C-RES,U 120-1/16W J	USM	CX-SNAJ310
0 X	TUNER (FM FE)	R	0909 88-108-473-080	0E	C-RES,U 47K-1/16W J	LHSFD	CX-NSZ310
0 X	TUNER (FM FE)	R	0909 88-108-473-080	0E	C-RES,U 47K-1/16W J	LHSFD	CX-NSZ510
0 X	TUNER (FM FE)	R	0909 88-108-473-080	0E	C-RES,U 47K-1/16W J	USM	CX-SNAJ310
0 X	TUNER (FM FE)	R	0910 88-108-822-080	0E	C-RES,U 8.2K-1/16W J	LHSFD	CX-NSZ310
0 X	TUNER (FM FE)	R	0910 88-108-822-080	0E	C-RES,U 8.2K-1/16W J	LHSFD	CX-NSZ510
0 X	TUNER (FM FE)	R	0910 88-108-822-080	0E	C-RES,U 8.2K-1/16W J	USM	CX-SNAJ310
0 X	TUNER (FM FE)	R	0911 88-108-101-080	0E	C-RES,U 100-1/16W J	LHSFD	CX-NSZ310
0 X	TUNER (FM FE)	R	0911 88-108-101-080	0E	C-RES,U 100-1/16W J	LHSFD	CX-NSZ510
0 X	TUNER (FM FE)	R	0911 88-108-101-080	0E	C-RES,U 100-1/16W J	USM	CX-SNAJ310
0 X	TUNER (FM FE)	SH	0901 88-ZA1-605-010	--	SHLD-CASE,I FT CAP-CASE	LHSFD	CX-NSZ310
0 X	TUNER (FM FE)	SH	0901 88-ZA1-605-010	--	SHLD-CASE,I FT CAP-CASE	LHSFD	CX-NSZ510
0 X	TUNER (FM FE)	SH	0901 88-ZA1-605-010	--	SHLD-CASE,I FT CAP-CASE	USM	CX-SNAJ310
0 O	TUNER (IF)	C	0771 87-A12-062-080	0E	CAP,E 100-10 SMG	EZSFD	CX-NSZ315
0 O	TUNER (IF)	C	0771 87-A12-062-080	0E	CAP,E 100-10 SMG	EZSFD	CX-NSZ310
0 O	TUNER (IF)	C	0771 87-A12-062-080	0E	CAP,E 100-10 SMG	KSFD	CX-NSZ310
0 O	TUNER (IF)	C	0771 87-A12-062-080	0E	CAP,E 100-10 SMG	LHSFD	CX-NSZ310
0 O	TUNER (IF)	C	0771 87-A12-062-080	0E	CAP,E 100-10 SMG	LHSFD	CX-NSZ510
0 O	TUNER (IF)	C	0771 87-A12-062-080	0E	CAP,E 100-10 SMG	USM	CX-SNAJ310
0 O	TUNER (IF)	C	0772 87-012-286-080	0E	C-CAP,U 0.01-25 K B	EZSFD	CX-NSZ315
0 O	TUNER (IF)	C	0772 87-012-286-080	0E	C-CAP,U 0.01-25 K B	EZSFD	CX-NSZ310
0 O	TUNER (IF)	C	0772 87-012-286-080	0E	C-CAP,U 0.01-25 K B	KSFD	CX-NSZ310
0 O	TUNER (IF)	C	0772 87-012-286-080	0E	C-CAP,U 0.01-25 K B	LHSFD	CX-NSZ310
0 O	TUNER (IF)	C	0772 87-012-286-080	0E	C-CAP,U 0.01-25 K B	LHSFD	CX-NSZ510
0 O	TUNER (IF)	C	0772 87-012-286-080	0E	C-CAP,U 0.01-25 K B	USM	CX-SNAJ310
0 O	TUNER (IF)	C	0779 87-010-949-080	0E	C-CAP,S 0.01-50 J B	EZSFD	CX-NSZ315
0 O	TUNER (IF)	C	0779 87-010-949-080	0E	C-CAP,S 0.01-50 J B	EZSFD	CX-NSZ310
0 O	TUNER (IF)	C	0779 87-010-949-080	0E	C-CAP,S 0.01-50 J B	KSFD	CX-NSZ310
0 O	TUNER (IF)	C	0780 87-010-949-080	0E	C-CAP,S 0.01-50 J B	EZSFD	CX-NSZ315
0 O	TUNER (IF)	C	0780 87-010-949-080	0E	C-CAP,S 0.01-50 J B	EZSFD	CX-NSZ310
0 O	TUNER (IF)	C	0780 87-010-949-080	0E	C-CAP,S 0.01-50 J B	KSFD	CX-NSZ310
0 X	TUNER (IF)	C	0781 88-108-000-080	0E	C-JUMPER,U	EZSFD	CX-NSZ315
0 X	TUNER (IF)	C	0781 88-108-000-080	0E	C-JUMPER,U	EZSFD	CX-NSZ310
0 X	TUNER (IF)	C	0781 88-108-000-080	0E	C-JUMPER,U	KSFD	CX-NSZ310
0 X	TUNER (IF)	C	0781 88-108-000-080	0E	C-JUMPER,U	LHSFD	CX-NSZ310
0 X	TUNER (IF)	C	0781 88-108-000-080	0E	C-JUMPER,U	LHSFD	CX-NSZ510
0 X	TUNER (IF)	C	0781 88-108-000-080	0E	C-JUMPER,U	USM	CX-SNAJ310
0 O	TUNER (IF)	C	0782 87-012-286-080	0E	C-CAP,U 0.01-25 K B	EZSFD	CX-NSZ315
0 O	TUNER (IF)	C	0782 87-012-286-080	0E	C-CAP,U 0.01-25 K B	EZSFD	CX-NSZ310
0 O	TUNER (IF)	C	0782 87-012-286-080	0E	C-CAP,U 0.01-25 K B	KSFD	CX-NSZ310
0 O	TUNER (IF)	C	0782 87-012-286-080	0E	C-CAP,U 0.01-25 K B	LHSFD	CX-NSZ510
0 O	TUNER (IF)	C	0782 87-012-286-080	0E	C-CAP,U 0.01-25 K B	USM	CX-SNAJ310
0 O	TUNER (IF)	C	0783 87-012-286-080	0E	C-CAP,U 0.01-25 K B	EZSFD	CX-NSZ315
0 O	TUNER (IF)	C	0783 87-012-286-080	0E	C-CAP,U 0.01-25 K B	EZSFD	CX-NSZ310
0 O	TUNER (IF)	C	0783 87-012-286-080	0E	C-CAP,U 0.01-25 K B	KSFD	CX-NSZ310
0 O	TUNER (IF)	C	0783 87-012-286-080	0E	C-CAP,U 0.01-25 K B	LHSFD	CX-NSZ310
0 O	TUNER (IF)	C	0783 87-012-286-080	0E	C-CAP,U 0.01-25 K B	LHSFD	CX-NSZ510
0 O	TUNER (IF)	C	0783 87-012-286-080	0E	C-CAP,U 0.01-25 K B	USM	CX-SNAJ310



# PARTS LIST

! =  $\Delta$  SAFTY PARTS  
 C = Components marked

All components used on this model at the production line are shown in this service manual.

However, please note that not all components will be available as spare parts for after-sales service.

Components marked S and O are designated as spare parts for service and will be stocked at the spare parts centers.

Components marked X and R are not designated as spare parts for after sales service, and will not be stocked at the spare parts centers.

K NO. = Only use japanese.

! C	UNIT NAME	REF NO.	PARTS CODE	K NO.	DESCRIPTION	SUFFIX	MODEL NAME
0 O	TUNER (IF)	C	0784 87-012-286-080	0E	C-CAP,U 0.01-25 K B	EZSFD	CX-NSZ315
0 O	TUNER (IF)	C	0784 87-012-286-080	0E	C-CAP,U 0.01-25 K B	EZSFD	CX-NSZ310
0 O	TUNER (IF)	C	0784 87-012-286-080	0E	C-CAP,U 0.01-25 K B	KSFD	CX-NSZ310
0 O	TUNER (IF)	C	0784 87-012-286-080	0E	C-CAP,U 0.01-25 K B	LHSFD	CX-NSZ310
0 O	TUNER (IF)	C	0784 87-012-286-080	0E	C-CAP,U 0.01-25 K B	LHSFD	CX-NSZ510
0 O	TUNER (IF)	C	0784 87-012-286-080	0E	C-CAP,U 0.01-25 K B	USM	CX-SNAJ310
0 O	TUNER (IF)	C	0785 87-012-286-080	0E	C-CAP,U 0.01-25 K B	EZSFD	CX-NSZ315
0 O	TUNER (IF)	C	0785 87-012-286-080	0E	C-CAP,U 0.01-25 K B	EZSFD	CX-NSZ310
0 O	TUNER (IF)	C	0785 87-012-286-080	0E	C-CAP,U 0.01-25 K B	KSFD	CX-NSZ310
0 O	TUNER (IF)	C	0785 87-012-286-080	0E	C-CAP,U 0.01-25 K B	LHSFD	CX-NSZ310
0 O	TUNER (IF)	C	0785 87-012-286-080	0E	C-CAP,U 0.01-25 K B	LHSFD	CX-NSZ510
0 O	TUNER (IF)	C	0785 87-012-286-080	0E	C-CAP,U 0.01-25 K B	USM	CX-SNAJ310
0 O	TUNER (IF)	C	0786 87-012-286-080	0E	C-CAP,U 0.01-25 K B	EZSFD	CX-NSZ315
0 O	TUNER (IF)	C	0786 87-012-286-080	0E	C-CAP,U 0.01-25 K B	EZSFD	CX-NSZ310
0 O	TUNER (IF)	C	0786 87-012-286-080	0E	C-CAP,U 0.01-25 K B	KSFD	CX-NSZ310
0 O	TUNER (IF)	C	0786 87-012-286-080	0E	C-CAP,U 0.01-25 K B	LHSFD	CX-NSZ310
0 O	TUNER (IF)	C	0786 87-012-286-080	0E	C-CAP,U 0.01-25 K B	LHSFD	CX-NSZ510
0 O	TUNER (IF)	C	0786 87-012-286-080	0E	C-CAP,U 0.01-25 K B	USM	CX-SNAJ310
0 O	TUNER (IF)	C	0788 87-012-167-080	0E	C-CAP,U 5P-50 C CH	EZSFD	CX-NSZ315
0 O	TUNER (IF)	C	0788 87-012-167-080	0E	C-CAP,U 5P-50 C CH	EZSFD	CX-NSZ310
0 O	TUNER (IF)	C	0788 87-012-167-080	0E	C-CAP,U 5P-50 C CH	KSFD	CX-NSZ310
0 O	TUNER (IF)	C	0788 87-012-167-080	0E	C-CAP,U 5P-50 C CH	LHSFD	CX-NSZ310
0 O	TUNER (IF)	C	0788 87-012-167-080	0E	C-CAP,U 5P-50 C CH	LHSFD	CX-NSZ510
0 O	TUNER (IF)	C	0789 87-016-118-080	0E	C-CAP,U 0.022-25 J B GRM	USM	CX-SNAJ310
0 O	TUNER (IF)	C	0789 87-016-118-080	0E	C-CAP,U 0.022-25 J B GRM	EZSFD	CX-NSZ315
0 O	TUNER (IF)	C	0789 87-016-118-080	0E	C-CAP,U 0.022-25 J B GRM	EZSFD	CX-NSZ310
0 O	TUNER (IF)	C	0789 87-016-118-080	0E	C-CAP,U 0.022-25 J B GRM	KSFD	CX-NSZ310
0 O	TUNER (IF)	C	0789 87-A12-052-080	0E	C-CAP,S 0.033-25 J B	LHSFD	CX-NSZ310
0 O	TUNER (IF)	C	0789 87-A12-052-080	0E	C-CAP,S 0.033-25 J B	LHSFD	CX-NSZ310
0 O	TUNER (IF)	C	0789 87-A12-052-080	0E	C-CAP,S 0.033-25 J B	USM	CX-SNAJ310
0 O	TUNER (IF)	C	0790 87-016-118-080	0E	C-CAP,U 0.022-25 J B GRM	EZSFD	CX-NSZ315
0 O	TUNER (IF)	C	0790 87-016-118-080	0E	C-CAP,U 0.022-25 J B GRM	EZSFD	CX-NSZ310
0 O	TUNER (IF)	C	0790 87-016-118-080	0E	C-CAP,U 0.022-25 J B GRM	KSFD	CX-NSZ310
0 O	TUNER (IF)	C	0790 87-A12-052-080	0E	C-CAP,S 0.033-25 J B	LHSFD	CX-NSZ310
0 O	TUNER (IF)	C	0790 87-A12-052-080	0E	C-CAP,S 0.033-25 J B	LHSFD	CX-NSZ510
0 O	TUNER (IF)	C	0790 87-A12-052-080	0E	C-CAP,S 0.033-25 J B	USM	CX-SNAJ310
0 O	TUNER (IF)	C	0791 87-010-831-080	0E	C-CAP,U 0.1-16 Z F	EZSFD	CX-NSZ315
0 O	TUNER (IF)	C	0791 87-010-831-080	0E	C-CAP,U 0.1-16 Z F	EZSFD	CX-NSZ310
0 O	TUNER (IF)	C	0791 87-010-831-080	0E	C-CAP,U 0.1-16 Z F	KSFD	CX-NSZ310
0 O	TUNER (IF)	C	0791 87-010-831-080	0E	C-CAP,U 0.1-16 Z F	LHSFD	CX-NSZ310
0 O	TUNER (IF)	C	0791 87-010-831-080	0E	C-CAP,U 0.1-16 Z F	LHSFD	CX-NSZ510
0 O	TUNER (IF)	C	0791 87-010-831-080	0E	C-CAP,U 0.1-16 Z F	USM	CX-SNAJ310
0 O	TUNER (IF)	C	0792 87-012-286-080	0E	C-CAP,U 0.01-25 K B	EZSFD	CX-NSZ315
0 O	TUNER (IF)	C	0792 87-012-286-080	0E	C-CAP,U 0.01-25 K B	EZSFD	CX-NSZ310
0 O	TUNER (IF)	C	0792 87-012-286-080	0E	C-CAP,U 0.01-25 K B	KSFD	CX-NSZ310
0 O	TUNER (IF)	C	0792 87-012-286-080	0E	C-CAP,U 0.01-25 K B	LHSFD	CX-NSZ310
0 O	TUNER (IF)	C	0792 87-012-286-080	0E	C-CAP,U 0.01-25 K B	LHSFD	CX-NSZ510
0 O	TUNER (IF)	C	0792 87-012-286-080	0E	C-CAP,U 0.01-25 K B	USM	CX-SNAJ310
0 O	TUNER (IF)	C	0793 87-A12-090-080	0E	CAP,E 4.7-50 SMG	EZSFD	CX-NSZ315
0 O	TUNER (IF)	C	0793 87-A12-090-080	0E	CAP,E 4.7-50 SMG	EZSFD	CX-NSZ310
0 O	TUNER (IF)	C	0793 87-A12-090-080	0E	CAP,E 4.7-50 SMG	KSFD	CX-NSZ310
0 O	TUNER (IF)	C	0793 87-A12-090-080	0E	CAP,E 4.7-50 SMG	LHSFD	CX-NSZ310
0 O	TUNER (IF)	C	0793 87-A12-090-080	0E	CAP,E 4.7-50 SMG	LHSFD	CX-NSZ510
0 O	TUNER (IF)	C	0793 87-A12-090-080	0E	CAP,E 4.7-50 SMG	USM	CX-SNAJ310
0 O	TUNER (IF)	C	0795 87-012-286-080	0E	C-CAP,U 0.01-25 K B	EZSFD	CX-NSZ315
0 O	TUNER (IF)	C	0795 87-012-286-080	0E	C-CAP,U 0.01-25 K B	EZSFD	CX-NSZ310
0 O	TUNER (IF)	C	0795 87-012-286-080	0E	C-CAP,U 0.01-25 K B	KSFD	CX-NSZ310
0 O	TUNER (IF)	C	0795 87-012-286-080	0E	C-CAP,U 0.01-25 K B	LHSFD	CX-NSZ310
0 O	TUNER (IF)	C	0795 87-012-286-080	0E	C-CAP,U 0.01-25 K B	LHSFD	CX-NSZ510
0 O	TUNER (IF)	C	0795 87-012-286-080	0E	C-CAP,U 0.01-25 K B	USM	CX-SNAJ310
0 O	TUNER (IF)	C	0796 87-012-286-080	0E	C-CAP,U 0.01-25 K B	EZSFD	CX-NSZ315
0 O	TUNER (IF)	C	0796 87-012-286-080	0E	C-CAP,U 0.01-25 K B	EZSFD	CX-NSZ310
0 O	TUNER (IF)	C	0796 87-012-286-080	0E	C-CAP,U 0.01-25 K B	KSFD	CX-NSZ310
0 O	TUNER (IF)	C	0796 87-012-286-080	0E	C-CAP,U 0.01-25 K B	LHSFD	CX-NSZ310
0 O	TUNER (IF)	C	0796 87-012-286-080	0E	C-CAP,U 0.01-25 K B	LHSFD	CX-NSZ510
0 O	TUNER (IF)	C	0796 87-012-286-080	0E	C-CAP,U 0.01-25 K B	USM	CX-SNAJ310
0 O	TUNER (IF)	C	0797 87-A12-091-080	0E	CAP,E 10-50 SMG	EZSFD	CX-NSZ315
0 O	TUNER (IF)	C	0797 87-A12-091-080	0E	CAP,E 10-50 SMG	EZSFD	CX-NSZ310
0 O	TUNER (IF)	C	0797 87-A12-091-080	0E	CAP,E 10-50 SMG	KSFD	CX-NSZ310
0 O	TUNER (IF)	C	0797 87-A12-091-080	0E	CAP,E 10-50 SMG	LHSFD	CX-NSZ310

# PARTS LIST

! =  $\Delta$  SAFTY PARTS  
 C = Components marked

All components used on this model at the production line are shown in this service manual.

However, please note that not all components will be available as spare parts for after-sales service.

Components marked S and O are designated as spare parts for service and will be stocked at the spare parts centers.

Components marked X and R are not designated as spare parts for after sales service, and will not be stocked at the spare parts centers.

K NO. = Only use japanese.

! C	UNIT NAME	REF NO.	PARTS CODE	K NO.	DESCRIPTION	SUFFIX	MODEL NAME
0 O	TUNER (IF)	C	0797 87-A12-091-080	0E	CAP,E 10-50 SMG	LHSFD	CX-NSZ510
0 O	TUNER (IF)	C	0797 87-A12-091-080	0E	CAP,E 10-50 SMG	USM	CX-SNAJ310
0 O	TUNER (IF)	C	0798 87-012-286-080	0E	C-CAP,U 0.01-25 K B	EZSFD	CX-NSZ315
0 O	TUNER (IF)	C	0798 87-012-286-080	0E	C-CAP,U 0.01-25 K B	EZSFD	CX-NSZ310
0 O	TUNER (IF)	C	0798 87-012-286-080	0E	C-CAP,U 0.01-25 K B	KSFD	CX-NSZ310
0 O	TUNER (IF)	C	0798 87-012-286-080	0E	C-CAP,U 0.01-25 K B	LHSFD	CX-NSZ310
0 O	TUNER (IF)	C	0798 87-012-286-080	0E	C-CAP,U 0.01-25 K B	LHSFD	CX-NSZ510
0 O	TUNER (IF)	C	0798 87-012-286-080	0E	C-CAP,U 0.01-25 K B	USM	CX-SNAJ310
0 O	TUNER (IF)	C	0799 87-010-265-080	0E	CAP,E 33-16 M 11L SME	EZSFD	CX-NSZ315
0 O	TUNER (IF)	C	0799 87-A12-093-080	0E	CAP,E 33-50 SMG	EZSFD	CX-NSZ310
0 O	TUNER (IF)	C	0799 87-A12-093-080	0E	CAP,E 33-50 SMG	KSFD	CX-NSZ310
0 O	TUNER (IF)	C	0799 87-A12-093-080	0E	CAP,E 33-50 SMG	LHSFD	CX-NSZ310
0 O	TUNER (IF)	C	0799 87-A12-093-080	0E	CAP,E 33-50 SMG	USM	CX-SNAJ310
0 O	TUNER (IF)	C	0800 87-010-829-080	0E	C-CAP,U 0.047-16 Z F	EZSFD	CX-NSZ315
0 O	TUNER (IF)	C	0800 87-010-829-080	0E	C-CAP,U 0.047-16 Z F	EZSFD	CX-NSZ310
0 O	TUNER (IF)	C	0800 87-010-829-080	0E	C-CAP,U 0.047-16 Z F	KSFD	CX-NSZ310
0 O	TUNER (IF)	C	0800 87-010-829-080	0E	C-CAP,U 0.047-16 Z F	LHSFD	CX-NSZ310
0 O	TUNER (IF)	C	0800 87-010-829-080	0E	C-CAP,U 0.047-16 Z F	LHSFD	CX-NSZ510
0 O	TUNER (IF)	C	0800 87-010-829-080	0E	C-CAP,U 0.047-16 Z F	USM	CX-SNAJ310
0 O	TUNER (IF)	C	0801 87-A12-089-080	0E	CAP,E 3.3-50 SMG	EZSFD	CX-NSZ315
0 O	TUNER (IF)	C	0801 87-A12-089-080	0E	CAP,E 3.3-50 SMG	EZSFD	CX-NSZ310
0 O	TUNER (IF)	C	0801 87-A12-089-080	0E	CAP,E 3.3-50 SMG	KSFD	CX-NSZ310
0 O	TUNER (IF)	C	0801 87-A12-089-080	0E	CAP,E 3.3-50 SMG	LHSFD	CX-NSZ310
0 O	TUNER (IF)	C	0801 87-A12-089-080	0E	CAP,E 3.3-50 SMG	LHSFD	CX-NSZ510
0 O	TUNER (IF)	C	0801 87-A12-089-080	0E	CAP,E 3.3-50 SMG	USM	CX-SNAJ310
0 O	TUNER (IF)	C	0802 87-010-829-080	0E	C-CAP,U 0.047-16 Z F	EZSFD	CX-NSZ315
0 O	TUNER (IF)	C	0802 87-010-829-080	0E	C-CAP,U 0.047-16 Z F	EZSFD	CX-NSZ310
0 O	TUNER (IF)	C	0802 87-010-829-080	0E	C-CAP,U 0.047-16 Z F	KSFD	CX-NSZ310
0 O	TUNER (IF)	C	0802 87-010-829-080	0E	C-CAP,U 0.047-16 Z F	LHSFD	CX-NSZ310
0 O	TUNER (IF)	C	0802 87-010-829-080	0E	C-CAP,U 0.047-16 Z F	LHSFD	CX-NSZ510
0 O	TUNER (IF)	C	0802 87-010-829-080	0E	C-CAP,U 0.047-16 Z F	USM	CX-SNAJ310
0 O	TUNER (IF)	C	0803 87-010-787-080	0E	C-CAP,U 0.022-25 K B	EZSFD	CX-NSZ310
0 O	TUNER (IF)	C	0803 87-010-787-080	0E	C-CAP,U 0.022-25 K B	KSFD	CX-NSZ310
0 O	TUNER (IF)	C	0803 87-010-787-080	0E	C-CAP,U 0.022-25 K B	LHSFD	CX-NSZ310
0 O	TUNER (IF)	C	0803 87-010-787-080	0E	C-CAP,U 0.022-25 K B	LHSFD	CX-NSZ510
0 O	TUNER (IF)	C	0803 87-010-787-080	0E	C-CAP,U 0.022-25 K B	USM	CX-SNAJ310
0 O	TUNER (IF)	C	0804 87-A12-062-080	0E	CAP,E 100-10 SMG	EZSFD	CX-NSZ315
0 O	TUNER (IF)	C	0804 87-A12-062-080	0E	CAP,E 100-10 SMG	EZSFD	CX-NSZ310
0 O	TUNER (IF)	C	0804 87-A12-062-080	0E	CAP,E 100-10 SMG	KSFD	CX-NSZ310
0 O	TUNER (IF)	C	0804 87-A12-062-080	0E	CAP,E 100-10 SMG	LHSFD	CX-NSZ510
0 O	TUNER (IF)	C	0804 87-A12-062-080	0E	CAP,E 100-10 SMG	USM	CX-SNAJ310
0 O	TUNER (IF)	C	0807 87-A12-086-080	0E	CAP,E 0.47-50 SMG	EZSFD	CX-NSZ315
0 O	TUNER (IF)	C	0807 87-A12-086-080	0E	CAP,E 0.47-50 SMG	EZSFD	CX-NSZ310
0 O	TUNER (IF)	C	0807 87-A12-086-080	0E	CAP,E 0.47-50 SMG	KSFD	CX-NSZ310
0 O	TUNER (IF)	C	0807 87-A12-086-080	0E	CAP,E 0.47-50 SMG	LHSFD	CX-NSZ310
0 O	TUNER (IF)	C	0807 87-A12-086-080	0E	CAP,E 0.47-50 SMG	LHSFD	CX-NSZ510
0 O	TUNER (IF)	C	0807 87-A12-086-080	0E	CAP,E 0.47-50 SMG	USM	CX-SNAJ310
0 O	TUNER (IF)	C	0808 87-A12-087-080	0E	CAP,E 1-50 SMG	EZSFD	CX-NSZ315
0 O	TUNER (IF)	C	0808 87-A12-087-080	0E	CAP,E 1-50 SMG	EZSFD	CX-NSZ310
0 O	TUNER (IF)	C	0808 87-A12-087-080	0E	CAP,E 1-50 SMG	KSFD	CX-NSZ310
0 O	TUNER (IF)	C	0808 87-A12-087-080	0E	CAP,E 1-50 SMG	LHSFD	CX-NSZ310
0 O	TUNER (IF)	C	0808 87-A12-087-080	0E	CAP,E 1-50 SMG	LHSFD	CX-NSZ510
0 O	TUNER (IF)	C	0808 87-A12-087-080	0E	CAP,E 1-50 SMG	USM	CX-SNAJ310
0 O	TUNER (IF)	C	0809 87-A12-087-080	0E	CAP,E 1-50 SMG	EZSFD	CX-NSZ315
0 O	TUNER (IF)	C	0809 87-A12-087-080	0E	CAP,E 1-50 SMG	EZSFD	CX-NSZ310
0 O	TUNER (IF)	C	0809 87-A12-087-080	0E	CAP,E 1-50 SMG	KSFD	CX-NSZ310
0 O	TUNER (IF)	C	0809 87-A12-087-080	0E	CAP,E 1-50 SMG	LHSFD	CX-NSZ310
0 O	TUNER (IF)	C	0809 87-A12-087-080	0E	CAP,E 1-50 SMG	LHSFD	CX-NSZ510
0 O	TUNER (IF)	C	0809 87-A12-087-080	0E	CAP,E 1-50 SMG	USM	CX-SNAJ310
0 O	TUNER (IF)	C	0810 87-010-831-080	0E	C-CAP,U 0.1-16 Z F	EZSFD	CX-NSZ315
0 O	TUNER (IF)	C	0810 87-010-831-080	0E	C-CAP,U 0.1-16 Z F	EZSFD	CX-NSZ310
0 O	TUNER (IF)	C	0810 87-010-831-080	0E	C-CAP,U 0.1-16 Z F	KSFD	CX-NSZ310
0 O	TUNER (IF)	C	0810 87-010-831-080	0E	C-CAP,U 0.1-16 Z F	LHSFD	CX-NSZ310
0 O	TUNER (IF)	C	0810 87-010-831-080	0E	C-CAP,U 0.1-16 Z F	LHSFD	CX-NSZ510
0 O	TUNER (IF)	C	0810 87-010-831-080	0E	C-CAP,U 0.1-16 Z F	USM	CX-SNAJ310
0 O	TUNER (IF)	C	0814 87-012-286-080	0E	C-CAP,U 0.01-25 K B	EZSFD	CX-NSZ315
0 O	TUNER (IF)	C	0814 87-012-286-080	0E	C-CAP,U 0.01-25 K B	EZSFD	CX-NSZ310

# PARTS LIST

! =  $\Delta$  SAFTY PARTS  
 C = Components marked

All components used on this model at the production line are shown in this service manual.

However, please note that not all components will be available as spare parts for after-sales service.

Components marked S and O are designated as spare parts for service and will be stocked at the spare parts centers.

Components marked X and R are not designated as spare parts for after sales service, and will not be stocked at the spare parts centers.

K NO. = Only use japanese.

! C	UNIT NAME	REF NO.	PARTS CODE	K NO.	DESCRIPTION	SUFFIX	MODEL NAME
0 O	TUNER (IF)	C	0814 87-012-286-080	0E	C-CAP,U 0.01-25 K B	KSFD	CX-NSZ310
0 O	TUNER (IF)	C	0814 87-012-286-080	0E	C-CAP,U 0.01-25 K B	LHSFD	CX-NSZ310
0 O	TUNER (IF)	C	0814 87-012-286-080	0E	C-CAP,U 0.01-25 K B	LHSFD	CX-NSZ510
0 O	TUNER (IF)	C	0814 87-012-286-080	0E	C-CAP,U 0.01-25 K B	USM	CX-SNAJ310
0 O	TUNER (IF)	C	0815 87-A12-086-080	0E	CAP,E 0.47-50 SMG	EZSFD	CX-NSZ315
0 O	TUNER (IF)	C	0815 87-A12-086-080	0E	CAP,E 0.47-50 SMG	EZSFD	CX-NSZ310
0 O	TUNER (IF)	C	0815 87-A12-086-080	0E	CAP,E 0.47-50 SMG	KSFD	CX-NSZ310
0 O	TUNER (IF)	C	0815 87-A12-086-080	0E	CAP,E 0.47-50 SMG	LHSFD	CX-NSZ310
0 O	TUNER (IF)	C	0815 87-A12-086-080	0E	CAP,E 0.47-50 SMG	LHSFD	CX-NSZ510
0 O	TUNER (IF)	C	0815 87-A12-086-080	0E	CAP,E 0.47-50 SMG	USM	CX-SNAJ310
0 O	TUNER (IF)	C	0816 87-A12-086-080	0E	CAP,E 0.47-50 SMG	EZSFD	CX-NSZ315
0 O	TUNER (IF)	C	0816 87-A12-086-080	0E	CAP,E 0.47-50 SMG	EZSFD	CX-NSZ310
0 O	TUNER (IF)	C	0816 87-A12-086-080	0E	CAP,E 0.47-50 SMG	KSFD	CX-NSZ310
0 O	TUNER (IF)	C	0816 87-A12-086-080	0E	CAP,E 0.47-50 SMG	LHSFD	CX-NSZ310
0 O	TUNER (IF)	C	0816 87-A12-086-080	0E	CAP,E 0.47-50 SMG	LHSFD	CX-NSZ510
0 O	TUNER (IF)	C	0816 87-A12-086-080	0E	CAP,E 0.47-50 SMG	USM	CX-SNAJ310
0 O	TUNER (IF)	C	0818 87-012-276-080	0E	C-CAP,U 1500P-50 K B	EZSFD	CX-NSZ315
0 O	TUNER (IF)	C	0818 87-012-276-080	0E	C-CAP,U 1500P-50 K B	EZSFD	CX-NSZ310
0 O	TUNER (IF)	C	0818 87-012-276-080	0E	C-CAP,U 1500P-50 K B	KSFD	CX-NSZ310
0 O	TUNER (IF)	C	0821 87-A12-091-080	0E	CAP,E 10-50 SMG	EZSFD	CX-NSZ315
0 O	TUNER (IF)	C	0821 87-A12-091-080	0E	CAP,E 10-50 SMG	EZSFD	CX-NSZ310
0 O	TUNER (IF)	C	0821 87-A12-091-080	0E	CAP,E 10-50 SMG	KSFD	CX-NSZ310
0 O	TUNER (IF)	C	0821 87-A12-091-080	0E	CAP,E 10-50 SMG	LHSFD	CX-NSZ310
0 O	TUNER (IF)	C	0821 87-A12-091-080	0E	CAP,E 10-50 SMG	LHSFD	CX-NSZ510
0 O	TUNER (IF)	C	0821 87-A12-091-080	0E	CAP,E 10-50 SMG	USM	CX-SNAJ310
X	TUNER (IF)	C	0822 88-108-000-080	0E	C-JUMPER,U	EZSFD	CX-NSZ315
0 X	TUNER (IF)	C	0822 88-108-000-080	0E	C-JUMPER,U	EZSFD	CX-NSZ310
0 X	TUNER (IF)	C	0822 88-108-000-080	0E	C-JUMPER,U	KSFD	CX-NSZ310
0 X	TUNER (IF)	C	0822 88-108-000-080	0E	C-JUMPER,U	LHSFD	CX-NSZ310
0 X	TUNER (IF)	C	0822 88-108-000-080	0E	C-JUMPER,U	LHSFD	CX-NSZ510
0 X	TUNER (IF)	C	0822 88-108-000-080	0E	C-JUMPER,U	USM	CX-SNAJ310
0 O	TUNER (IF)	C	0823 87-010-177-080	0E	C-CAP,S 820P-50 J SL C2012	LHSFD	CX-NSZ310
0 O	TUNER (IF)	C	0823 87-010-177-080	0E	C-CAP,S 820P-50 J SL C2012	LHSFD	CX-NSZ510
0 O	TUNER (IF)	C	0823 87-010-177-080	0E	C-CAP,S 820P-50 J SL C2012	USM	CX-SNAJ310
0 O	TUNER (IF)	C	0823 87-012-349-080	0E	C-CAP,S 1000P-50 J CH GRM	EZSFD	CX-NSZ315
0 O	TUNER (IF)	C	0823 87-012-349-080	0E	C-CAP,S 1000P-50 J CH GRM	EZSFD	CX-NSZ310
0 O	TUNER (IF)	C	0823 87-012-349-080	0E	C-CAP,S 1000P-50 J CH GRM	KSFD	CX-NSZ310
0 O	TUNER (IF)	C	0824 87-A12-090-080	0E	CAP,E 4.7-50 SMG	EZSFD	CX-NSZ315
0 O	TUNER (IF)	C	0824 87-A12-090-080	0E	CAP,E 4.7-50 SMG	EZSFD	CX-NSZ310
0 O	TUNER (IF)	C	0824 87-A12-090-080	0E	CAP,E 4.7-50 SMG	KSFD	CX-NSZ310
0 O	TUNER (IF)	C	0824 87-A12-090-080	0E	CAP,E 4.7-50 SMG	LHSFD	CX-NSZ310
0 O	TUNER (IF)	C	0824 87-A12-090-080	0E	CAP,E 4.7-50 SMG	LHSFD	CX-NSZ510
0 O	TUNER (IF)	C	0824 87-A12-090-080	0E	CAP,E 4.7-50 SMG	USM	CX-SNAJ310
0 O	TUNER (IF)	C	0825 87-010-596-080	0E	C-CAP,S 0.047-16 K R C2012	EZSFD	CX-NSZ315
0 O	TUNER (IF)	C	0825 87-010-596-080	0E	C-CAP,S 0.047-16 K R C2012	LHSFD	CX-NSZ510
0 O	TUNER (IF)	C	0825 87-010-596-080	0E	C-CAP,S 0.047-16 K R C2012	EZSFD	CX-NSZ310
0 O	TUNER (IF)	C	0825 87-010-596-080	0E	C-CAP,S 0.047-16 K R C2012	KSFD	CX-NSZ310
0 O	TUNER (IF)	C	0825 87-010-596-080	0E	C-CAP,S 0.047-16 K R C2012	LHSFD	CX-NSZ310
0 O	TUNER (IF)	C	0825 87-010-596-080	0E	C-CAP,S 0.047-16 K R C2012	USM	CX-SNAJ310
S	TUNER (IF)	D	0801 87-A40-291-080	0E	DIODE,1N4148M (CPT)	EZSFD	CX-NSZ315
0 S	TUNER (IF)	D	0801 87-A40-291-080	0E	DIODE,1N4148M (CPT)	EZSFD	CX-NSZ310
0 S	TUNER (IF)	D	0801 87-A40-291-080	0E	DIODE,1N4148M (CPT)	KSFD	CX-NSZ310
0 X	TUNER (IF)	D	0801 88-100-000-010	0E	PLATING-JW, 0.58 SN95	LHSFD	CX-NSZ310
0 X	TUNER (IF)	D	0801 88-100-000-010	0E	PLATING-JW, 0.58 SN95	LHSFD	CX-NSZ510
0 X	TUNER (IF)	D	0801 88-100-000-010	0E	PLATING-JW, 0.58 SN95	USM	CX-SNAJ310
S	TUNER (IF)	D	0803 87-A40-291-080	0E	DIODE,1N4148M (CPT)	EZSFD	CX-NSZ315
0 S	TUNER (IF)	D	0803 87-A40-291-080	0E	DIODE,1N4148M (CPT)	EZSFD	CX-NSZ310
0 S	TUNER (IF)	D	0803 87-A40-291-080	0E	DIODE,1N4148M (CPT)	KSFD	CX-NSZ310
0 S	TUNER (IF)	D	0803 87-A40-291-080	0E	DIODE,1N4148M (CPT)	LHSFD	CX-NSZ310
0 S	TUNER (IF)	D	0803 87-A40-291-080	0E	DIODE,1N4148M (CPT)	LHSFD	CX-NSZ510
0 S	TUNER (IF)	D	0803 87-A40-291-080	0E	DIODE,1N4148M (CPT)	USM	CX-SNAJ310
S	TUNER (IF)	IC	0801 87-A21-695-010	1C	IC,LA1845L	EZSFD	CX-NSZ315
0 S	TUNER (IF)	IC	0801 87-A21-695-010	1C	IC,LA1845L	EZSFD	CX-NSZ310
0 S	TUNER (IF)	IC	0801 87-A21-695-010	1C	IC,LA1845L	KSFD	CX-NSZ310
0 S	TUNER (IF)	IC	0801 87-A21-695-010	1C	IC,LA1845L	LHSFD	CX-NSZ310
0 S	TUNER (IF)	IC	0801 87-A21-695-010	1C	IC,LA1845L	LHSFD	CX-NSZ510
0 S	TUNER (IF)	IC	0801 87-A21-695-010	1C	IC,LA1845L	USM	CX-SNAJ310
X	TUNER (IF)	JR	0781 88-129-000-080	0E	C-JUMPER,3216	EZSFD	CX-NSZ315
0 X	TUNER (IF)	JR	0781 88-129-000-080	0E	C-JUMPER,3216	EZSFD	CX-NSZ310
0 X	TUNER (IF)	JR	0781 88-129-000-080	0E	C-JUMPER,3216	KSFD	CX-NSZ310

# PARTS LIST

! =  $\Delta$  SAFTY PARTS  
 C = Components marked

All components used on this model at the production line are shown in this service manual.

However, please note that not all components will be available as spare parts for after-sales service.

Components marked S and O are designated as spare parts for service and will be stocked at the spare parts centers.

Components marked X and R are not designated as spare parts for after sales service, and will not be stocked at the spare parts centers.

K NO. = Only use japanese.

! C	UNIT NAME	REF NO.	PARTS CODE	K NO.	DESCRIPTION	SUFFIX	MODEL NAME
0 X	TUNER (IF)	JR 0781	88-129-000-080	0E	C-JUMPER, 3216	LHSFD	CX-NSZ310
0 X	TUNER (IF)	JR 0781	88-129-000-080	0E	C-JUMPER, 3216	LHSFD	CX-NSZ510
0 X	TUNER (IF)	JR 0781	88-129-000-080	0E	C-JUMPER, 3216	USM	CX-SNAJ310
X	TUNER (IF)	JR 0785	88-108-000-080	0E	C-JUMPER, U	EZSFD	CX-NSZ315
0 X	TUNER (IF)	JR 0785	88-108-000-080	0E	C-JUMPER, U	EZSFD	CX-NSZ310
0 X	TUNER (IF)	JR 0785	88-108-000-080	0E	C-JUMPER, U	KSFD	CX-NSZ310
0 X	TUNER (IF)	JR 0785	88-108-000-080	0E	C-JUMPER, U	LHSFD	CX-NSZ310
0 X	TUNER (IF)	JR 0785	88-108-000-080	0E	C-JUMPER, U	LHSFD	CX-NSZ510
0 X	TUNER (IF)	JR 0785	88-108-000-080	0E	C-JUMPER, U	USM	CX-SNAJ310
X	TUNER (IF)	JR 0786	88-108-000-080	0E	C-JUMPER, U	EZSFD	CX-NSZ315
0 X	TUNER (IF)	JR 0786	88-108-000-080	0E	C-JUMPER, U	EZSFD	CX-NSZ310
0 X	TUNER (IF)	JR 0786	88-108-000-080	0E	C-JUMPER, U	KSFD	CX-NSZ310
0 X	TUNER (IF)	JR 0786	88-108-000-080	0E	C-JUMPER, U	LHSFD	CX-NSZ310
0 X	TUNER (IF)	JR 0786	88-108-000-080	0E	C-JUMPER, U	LHSFD	CX-NSZ510
0 X	TUNER (IF)	JR 0786	88-108-000-080	0E	C-JUMPER, U	USM	CX-SNAJ310
X	TUNER (IF)	JR 0790	88-108-000-080	0E	C-JUMPER, U	EZSFD	CX-NSZ315
X	TUNER (IF)	JR 0792	88-108-000-080	0E	C-JUMPER, U	EZSFD	CX-NSZ315
0 X	TUNER (IF)	JR 0792	88-108-000-080	0E	C-JUMPER, U	EZSFD	CX-NSZ310
0 X	TUNER (IF)	JR 0792	88-108-000-080	0E	C-JUMPER, U	KSFD	CX-NSZ310
0 X	TUNER (IF)	JR 0792	88-108-000-080	0E	C-JUMPER, U	LHSFD	CX-NSZ310
0 X	TUNER (IF)	JR 0792	88-108-000-080	0E	C-JUMPER, U	LHSFD	CX-NSZ510
0 X	TUNER (IF)	JR 0792	88-108-000-080	0E	C-JUMPER, U	USM	CX-SNAJ310
X	TUNER (IF)	JR 0795	88-129-000-080	0E	C-JUMPER, 3216	EZSFD	CX-NSZ315
0 X	TUNER (IF)	JR 0795	88-129-000-080	0E	C-JUMPER, 3216	EZSFD	CX-NSZ310
0 X	TUNER (IF)	JR 0795	88-129-000-080	0E	C-JUMPER, 3216	KSFD	CX-NSZ310
0 X	TUNER (IF)	JR 0795	88-129-000-080	0E	C-JUMPER, 3216	LHSFD	CX-NSZ310
0 X	TUNER (IF)	JR 0795	88-129-000-080	0E	C-JUMPER, 3216	LHSFD	CX-NSZ510
0 X	TUNER (IF)	JR 0795	88-129-000-080	0E	C-JUMPER, 3216	USM	CX-SNAJ310
X	TUNER (IF)	JR 0797	88-108-000-080	0E	C-JUMPER, U	EZSFD	CX-NSZ315
0 X	TUNER (IF)	JR 0797	88-108-000-080	0E	C-JUMPER, U	EZSFD	CX-NSZ310
0 X	TUNER (IF)	JR 0797	88-108-000-080	0E	C-JUMPER, U	KSFD	CX-NSZ310
0 X	TUNER (IF)	JR 0797	88-108-000-080	0E	C-JUMPER, U	LHSFD	CX-NSZ310
0 X	TUNER (IF)	JR 0797	88-108-000-080	0E	C-JUMPER, U	LHSFD	CX-NSZ510
0 X	TUNER (IF)	JR 0797	88-108-000-080	0E	C-JUMPER, U	USM	CX-SNAJ310
X	TUNER (IF)	JR 0801	88-108-000-080	0E	C-JUMPER, U	EZSFD	CX-NSZ315
0 X	TUNER (IF)	JR 0801	88-108-000-080	0E	C-JUMPER, U	EZSFD	CX-NSZ310
0 X	TUNER (IF)	JR 0801	88-108-000-080	0E	C-JUMPER, U	KSFD	CX-NSZ310
0 X	TUNER (IF)	JR 0801	88-108-000-080	0E	C-JUMPER, U	LHSFD	CX-NSZ310
0 X	TUNER (IF)	JR 0801	88-108-000-080	0E	C-JUMPER, U	LHSFD	CX-NSZ510
0 X	TUNER (IF)	JR 0801	88-108-000-080	0E	C-JUMPER, U	USM	CX-SNAJ310
X	TUNER (IF)	JR 0808	88-108-474-080	0E	C-RES, U 47K-1/16W J	EZSFD	CX-NSZ315
0 TUNER (IF)	L 0801	87-A50-608-010	0E	COIL, FM DET-N(TOK)	EZSFD	CX-NSZ315	
0 TUNER (IF)	L 0801	87-A50-608-010	0E	COIL, FM DET-N(TOK)	EZSFD	CX-NSZ310	
0 TUNER (IF)	L 0801	87-A50-608-010	0E	COIL, FM DET-N(TOK)	KSFD	CX-NSZ310	
0 TUNER (IF)	L 0801	87-A50-608-010	0E	COIL, FM DET-N(TOK)	LHSFD	CX-NSZ310	
0 TUNER (IF)	L 0801	87-A50-608-010	0E	COIL, FM DET-N(TOK)	LHSFD	CX-NSZ510	
0 TUNER (IF)	L 0801	87-A50-608-010	0E	COIL, FM DET-N(TOK)	USM	CX-SNAJ310	
0 TUNER (IF)	L 0802	87-A91-551-010	1A	FLTR, PCFJZH-450 L(TOK)	EZSFD	CX-NSZ315	
0 TUNER (IF)	L 0802	87-A91-551-010	1A	FLTR, PCFJZH-450 L(TOK)	EZSFD	CX-NSZ310	
0 TUNER (IF)	L 0802	87-A91-551-010	1A	FLTR, PCFJZH-450 L(TOK)	KSFD	CX-NSZ310	
0 TUNER (IF)	L 0802	87-A91-551-010	1A	FLTR, PCFJZH-450 L(TOK)	LHSFD	CX-NSZ310	
0 TUNER (IF)	L 0802	87-A91-551-010	1A	FLTR, PCFJZH-450 L(TOK)	LHSFD	CX-NSZ510	
0 TUNER (IF)	L 0802	87-A91-551-010	1A	FLTR, PCFJZH-450 L(TOK)	USM	CX-SNAJ310	
0 TUNER (IF)	L 0811	87-005-847-080	0E	COIL, 2.2UH K CECS	EZSFD	CX-NSZ315	
0 TUNER (IF)	L 0811	87-005-847-080	0E	COIL, 2.2UH K CECS	EZSFD	CX-NSZ310	
0 TUNER (IF)	L 0811	87-005-847-080	0E	COIL, 2.2UH K CECS	KSFD	CX-NSZ310	
0 TUNER (IF)	L 0811	87-005-847-080	0E	COIL, 2.2UH K CECS	LHSFD	CX-NSZ310	
0 TUNER (IF)	L 0811	87-005-847-080	0E	COIL, 2.2UH K CECS	LHSFD	CX-NSZ510	
0 TUNER (IF)	L 0811	87-005-847-080	0E	COIL, 2.2UH K CECS	USM	CX-SNAJ310	
X	TUNER (IF)	R 0789	88-108-473-080	0E	C-RES, U 47K-1/16W J	EZSFD	CX-NSZ315
0 X	TUNER (IF)	R 0789	88-108-473-080	0E	C-RES, U 47K-1/16W J	EZSFD	CX-NSZ310
0 X	TUNER (IF)	R 0789	88-108-473-080	0E	C-RES, U 47K-1/16W J	KSFD	CX-NSZ310
0 TUNER (IF)	R 0790	87-012-286-080	0E	C-CAP, U 0.01-25 K B	EZSFD	CX-NSZ315	
0 TUNER (IF)	R 0790	87-012-286-080	0E	C-CAP, U 0.01-25 K B	EZSFD	CX-NSZ310	
0 TUNER (IF)	R 0790	87-012-286-080	0E	C-CAP, U 0.01-25 K B	KSFD	CX-NSZ310	
0 TUNER (IF)	R 0790	87-012-286-080	0E	C-CAP, U 0.01-25 K B	LHSFD	CX-NSZ310	
0 TUNER (IF)	R 0790	87-012-286-080	0E	C-CAP, U 0.01-25 K B	LHSFD	CX-NSZ510	
0 TUNER (IF)	R 0790	87-012-286-080	0E	C-CAP, U 0.01-25 K B	USM	CX-SNAJ310	
X	TUNER (IF)	R 0791	88-108-102-080	0E	C-RES, U 1K-1/16W J	EZSFD	CX-NSZ315
0 X	TUNER (IF)	R 0791	88-108-102-080	0E	C-RES, U 1K-1/16W J	EZSFD	CX-NSZ310

# PARTS LIST

! =  $\Delta$  SAFTY PARTS  
 C = Components marked

All components used on this model at the production line are shown in this service manual.

However, please note that not all components will be available as spare parts for after-sales service.

Components marked S and O are designated as spare parts for service and will be stocked at the spare parts centers.

Components marked X and R are not designated as spare parts for after sales service, and will not be stocked at the spare parts centers.

K NO. = Only use japanese.

! C	UNIT NAME	REF NO.	PARTS CODE	K NO.	DESCRIPTION	SUFFIX	MODEL NAME
0 X	TUNER (IF)	R	0791 88-108-102-080	0E	C-RES,U 1K-1/16W J	KSFD	CX-NSZ310
0 X	TUNER (IF)	R	0791 88-108-102-080	0E	C-RES,U 1K-1/16W J	LHSFD	CX-NSZ310
0 X	TUNER (IF)	R	0791 88-108-102-080	0E	C-RES,U 1K-1/16W J	LHSFD	CX-NSZ510
0 X	TUNER (IF)	R	0791 88-108-102-080	0E	C-RES,U 1K-1/16W J	USM	CX-SNAJ310
0 X	TUNER (IF)	R	0793 88-108-000-080	0E	C-JUMPER,U	LHSFD	CX-NSZ310
0 X	TUNER (IF)	R	0793 88-108-000-080	0E	C-JUMPER,U	LHSFD	CX-NSZ510
0 X	TUNER (IF)	R	0793 88-108-000-080	0E	C-JUMPER,U	USM	CX-SNAJ310
X	TUNER (IF)	R	0793 88-108-221-080	0E	C-RES,U 220-1/16W J	EZSFD	CX-NSZ315
0 X	TUNER (IF)	R	0793 88-108-221-080	0E	C-RES,U 220-1/16W J	EZSFD	CX-NSZ310
0 X	TUNER (IF)	R	0793 88-108-221-080	0E	C-RES,U 220-1/16W J	KSFD	CX-NSZ310
X	TUNER (IF)	R	0795 88-108-000-080	0E	C-JUMPER,U	EZSFD	CX-NSZ315
0 X	TUNER (IF)	R	0795 88-108-000-080	0E	C-JUMPER,U	EZSFD	CX-NSZ310
0 X	TUNER (IF)	R	0795 88-108-000-080	0E	C-JUMPER,U	KSFD	CX-NSZ310
0 X	TUNER (IF)	R	0795 88-108-000-080	0E	C-JUMPER,U	LHSFD	CX-NSZ310
0 X	TUNER (IF)	R	0795 88-108-000-080	0E	C-JUMPER,U	LHSFD	CX-NSZ510
0 X	TUNER (IF)	R	0795 88-108-000-080	0E	C-JUMPER,U	USM	CX-SNAJ310
X	TUNER (IF)	R	0801 88-108-103-080	0E	C-RES,U 10K-1/16W J	EZSFD	CX-NSZ315
0 X	TUNER (IF)	R	0801 88-108-103-080	0E	C-RES,U 10K-1/16W J	EZSFD	CX-NSZ310
0 X	TUNER (IF)	R	0801 88-108-103-080	0E	C-RES,U 10K-1/16W J	KSFD	CX-NSZ310
0 X	TUNER (IF)	R	0801 88-108-103-080	0E	C-RES,U 10K-1/16W J	LHSFD	CX-NSZ310
0 X	TUNER (IF)	R	0801 88-108-103-080	0E	C-RES,U 10K-1/16W J	LHSFD	CX-NSZ510
0 X	TUNER (IF)	R	0801 88-108-103-080	0E	C-RES,U 10K-1/16W J	USM	CX-SNAJ310
X	TUNER (IF)	R	0802 88-108-223-080	0E	C-RES,U 22K-1/16W J	EZSFD	CX-NSZ315
0 X	TUNER (IF)	R	0802 88-108-223-080	0E	C-RES,U 22K-1/16W J	EZSFD	CX-NSZ310
0 X	TUNER (IF)	R	0802 88-108-223-080	0E	C-RES,U 22K-1/16W J	KSFD	CX-NSZ310
0 X	TUNER (IF)	R	0802 88-108-223-080	0E	C-RES,U 22K-1/16W J	LHSFD	CX-NSZ310
0 X	TUNER (IF)	R	0802 88-108-223-080	0E	C-RES,U 22K-1/16W J	LHSFD	CX-NSZ510
0 X	TUNER (IF)	R	0802 88-108-223-080	0E	C-RES,U 22K-1/16W J	USM	CX-SNAJ310
X	TUNER (IF)	R	0803 88-128-183-080	0E	C-RES, 18K-1/8W J	EZSFD	CX-NSZ315
0 X	TUNER (IF)	R	0803 88-128-183-080	0E	C-RES, 18K-1/8W J	EZSFD	CX-NSZ310
0 X	TUNER (IF)	R	0803 88-128-183-080	0E	C-RES, 18K-1/8W J	KSFD	CX-NSZ310
0 X	TUNER (IF)	R	0803 88-128-183-080	0E	C-RES, 18K-1/8W J	LHSFD	CX-NSZ310
0 X	TUNER (IF)	R	0803 88-128-183-080	0E	C-RES, 18K-1/8W J	LHSFD	CX-NSZ510
0 X	TUNER (IF)	R	0803 88-128-183-080	0E	C-RES, 18K-1/8W J	USM	CX-SNAJ310
X	TUNER (IF)	R	0804 88-108-000-080	0E	C-JUMPER,U	EZSFD	CX-NSZ315
0 X	TUNER (IF)	R	0804 88-108-000-080	0E	C-JUMPER,U	EZSFD	CX-NSZ310
0 X	TUNER (IF)	R	0804 88-108-000-080	0E	C-JUMPER,U	KSFD	CX-NSZ310
0 X	TUNER (IF)	R	0804 88-108-000-080	0E	C-JUMPER,U	LHSFD	CX-NSZ310
0 X	TUNER (IF)	R	0804 88-108-000-080	0E	C-JUMPER,U	LHSFD	CX-NSZ510
0 X	TUNER (IF)	R	0804 88-108-000-080	0E	C-JUMPER,U	USM	CX-SNAJ310
X	TUNER (IF)	R	0805 88-108-332-080	0E	C-RES,U 3.3K-1/16W J	EZSFD	CX-NSZ315
0 X	TUNER (IF)	R	0805 88-108-332-080	0E	C-RES,U 3.3K-1/16W J	EZSFD	CX-NSZ310
0 X	TUNER (IF)	R	0805 88-108-332-080	0E	C-RES,U 3.3K-1/16W J	KSFD	CX-NSZ310
0 X	TUNER (IF)	R	0805 88-108-332-080	0E	C-RES,U 3.3K-1/16W J	LHSFD	CX-NSZ310
0 X	TUNER (IF)	R	0805 88-108-332-080	0E	C-RES,U 3.3K-1/16W J	LHSFD	CX-NSZ510
0 X	TUNER (IF)	R	0805 88-108-332-080	0E	C-RES,U 3.3K-1/16W J	USM	CX-SNAJ310
X	TUNER (IF)	R	0806 88-108-682-080	0E	C-RES,U 6.8K-1/16W J	EZSFD	CX-NSZ315
0 X	TUNER (IF)	R	0806 88-108-682-080	0E	C-RES,U 6.8K-1/16W J	EZSFD	CX-NSZ310
0 X	TUNER (IF)	R	0806 88-108-682-080	0E	C-RES,U 6.8K-1/16W J	KSFD	CX-NSZ310
0 X	TUNER (IF)	R	0806 88-108-682-080	0E	C-RES,U 6.8K-1/16W J	LHSFD	CX-NSZ310
0 X	TUNER (IF)	R	0806 88-108-682-080	0E	C-RES,U 6.8K-1/16W J	LHSFD	CX-NSZ510
0 X	TUNER (IF)	R	0806 88-108-682-080	0E	C-RES,U 6.8K-1/16W J	USM	CX-SNAJ310
X	TUNER (IF)	R	0809 88-108-102-080	0E	C-RES,U 1K-1/16W J	EZSFD	CX-NSZ315
0 X	TUNER (IF)	R	0809 88-108-102-080	0E	C-RES,U 1K-1/16W J	EZSFD	CX-NSZ310
0 X	TUNER (IF)	R	0809 88-108-102-080	0E	C-RES,U 1K-1/16W J	KSFD	CX-NSZ310
0 X	TUNER (IF)	R	0809 88-108-102-080	0E	C-RES,U 1K-1/16W J	LHSFD	CX-NSZ310
0 X	TUNER (IF)	R	0809 88-108-102-080	0E	C-RES,U 1K-1/16W J	LHSFD	CX-NSZ510
0 X	TUNER (IF)	R	0809 88-108-102-080	0E	C-RES,U 1K-1/16W J	USM	CX-SNAJ310
X	TUNER (IF)	R	0810 88-108-102-080	0E	C-RES,U 1K-1/16W J	EZSFD	CX-NSZ315
0 X	TUNER (IF)	R	0810 88-108-102-080	0E	C-RES,U 1K-1/16W J	EZSFD	CX-NSZ310
0 X	TUNER (IF)	R	0810 88-108-102-080	0E	C-RES,U 1K-1/16W J	KSFD	CX-NSZ310
0 X	TUNER (IF)	R	0810 88-108-102-080	0E	C-RES,U 1K-1/16W J	LHSFD	CX-NSZ310
0 X	TUNER (IF)	R	0810 88-108-102-080	0E	C-RES,U 1K-1/16W J	LHSFD	CX-NSZ510
X	TUNER (IF)	R	0811 88-108-000-080	0E	C-JUMPER,U	EZSFD	CX-NSZ315
0 X	TUNER (IF)	R	0811 88-108-000-080	0E	C-JUMPER,U	EZSFD	CX-NSZ310
0 X	TUNER (IF)	R	0811 88-108-000-080	0E	C-JUMPER,U	KSFD	CX-NSZ310
0 X	TUNER (IF)	R	0811 88-108-000-080	0E	C-JUMPER,U	LHSFD	CX-NSZ310
0 X	TUNER (IF)	R	0811 88-108-000-080	0E	C-JUMPER,U	LHSFD	CX-NSZ510
0 X	TUNER (IF)	R	0811 88-108-000-080	0E	C-JUMPER,U	USM	CX-SNAJ310

# PARTS LIST

! =  $\Delta$  SAFTY PARTS  
 C = Components marked

All components used on this model at the production line are shown in this service manual.

However, please note that not all components will be available as spare parts for after-sales service.

Components marked S and O are designated as spare parts for service and will be stocked at the spare parts centers.

Components marked X and R are not designated as spare parts for after sales service, and will not be stocked at the spare parts centers.

K NO. = Only use japanese.

! C	UNIT NAME	REF NO.	PARTS CODE	K NO.	DESCRIPTION	SUFFIX	MODEL NAME
0 X	TUNER (IF)	R 0812	88-108-000-080	0E	C-JUMPER, U	EZSFD	CX-NSZ315
0 X	TUNER (IF)	R 0812	88-108-000-080	0E	C-JUMPER, U	EZSFD	CX-NSZ310
0 X	TUNER (IF)	R 0812	88-108-000-080	0E	C-JUMPER, U	KSFD	CX-NSZ310
0 X	TUNER (IF)	R 0812	88-108-000-080	0E	C-JUMPER, U	LHSFD	CX-NSZ310
0 X	TUNER (IF)	R 0812	88-108-000-080	0E	C-JUMPER, U	LHSFD	CX-NSZ510
0 X	TUNER (IF)	R 0812	88-108-000-080	0E	C-JUMPER, U	USM	CX-SNAJ310
X	TUNER (IF)	R 0813	88-108-224-080	0E	C-RES, U 220K-1/16W J	EZSFD	CX-NSZ315
0 X	TUNER (IF)	R 0813	88-108-224-080	0E	C-RES, U 220K-1/16W J	EZSFD	CX-NSZ310
0 X	TUNER (IF)	R 0813	88-108-224-080	0E	C-RES, U 220K-1/16W J	KSFD	CX-NSZ310
0 X	TUNER (IF)	R 0813	88-108-224-080	0E	C-RES, U 220K-1/16W J	LHSFD	CX-NSZ310
0 X	TUNER (IF)	R 0813	88-108-224-080	0E	C-RES, U 220K-1/16W J	LHSFD	CX-NSZ310
0 X	TUNER (IF)	R 0813	88-108-224-080	0E	C-RES, U 220K-1/16W J	USM	CX-SNAJ310
0 X	TUNER (IF)	R 0814	88-108-105-080	0E	C-RES, U 1M-1/16W J	LHSFD	CX-NSZ310
0 X	TUNER (IF)	R 0814	88-108-105-080	0E	C-RES, U 1M-1/16W J	LHSFD	CX-NSZ510
0 X	TUNER (IF)	R 0814	88-108-105-080	0E	C-RES, U 1M-1/16W J	USM	CX-SNAJ310
X	TUNER (IF)	R 0814	88-108-222-080	0E	C-RES, U 2.2K-1/16W J	EZSFD	CX-NSZ315
0 X	TUNER (IF)	R 0814	88-108-222-080	0E	C-RES, U 2.2K-1/16W J	EZSFD	CX-NSZ310
0 X	TUNER (IF)	R 0814	88-108-222-080	0E	C-RES, U 2.2K-1/16W J	KSFD	CX-NSZ310
X	TUNER (IF)	R 0815	88-121-682-080	0E	RES, 6.8K-1/8W J	EZSFD	CX-NSZ315
0 X	TUNER (IF)	R 0815	88-121-682-080	0E	RES, 6.8K-1/8W J	EZSFD	CX-NSZ310
0 X	TUNER (IF)	R 0815	88-121-682-080	0E	RES, 6.8K-1/8W J	KSFD	CX-NSZ310
0 X	TUNER (IF)	R 0815	88-121-682-080	0E	RES, 6.8K-1/8W J	LHSFD	CX-NSZ310
0 X	TUNER (IF)	R 0815	88-121-682-080	0E	RES, 6.8K-1/8W J	LHSFD	CX-NSZ510
X	TUNER (IF)	R 0818	88-108-103-080	0E	C-RES, U 10K-1/16W J	USM	CX-SNAJ310
X	TUNER (IF)	R 0818	88-108-103-080	0E	C-RES, U 10K-1/16W J	EZSFD	CX-NSZ315
0 X	TUNER (IF)	R 0818	88-108-103-080	0E	C-RES, U 10K-1/16W J	EZSFD	CX-NSZ310
0 X	TUNER (IF)	R 0818	88-108-103-080	0E	C-RES, U 10K-1/16W J	KSFD	CX-NSZ310
0 X	TUNER (IF)	R 0818	88-108-103-080	0E	C-RES, U 10K-1/16W J	LHSFD	CX-NSZ310
0 X	TUNER (IF)	R 0818	88-108-103-080	0E	C-RES, U 10K-1/16W J	LHSFD	CX-NSZ510
0 X	TUNER (IF)	R 0818	88-108-103-080	0E	C-RES, U 10K-1/16W J	USM	CX-SNAJ310
X	TUNER (IF)	R 0821	88-108-000-080	0E	C-JUMPER, U	EZSFD	CX-NSZ315
0 X	TUNER (IF)	R 0821	88-108-000-080	0E	C-JUMPER, U	EZSFD	CX-NSZ310
0 X	TUNER (IF)	R 0821	88-108-000-080	0E	C-JUMPER, U	KSFD	CX-NSZ310
0 X	TUNER (IF)	R 0821	88-108-000-080	0E	C-JUMPER, U	LHSFD	CX-NSZ310
0 X	TUNER (IF)	R 0821	88-108-000-080	0E	C-JUMPER, U	LHSFD	CX-NSZ510
0 X	TUNER (IF)	R 0821	88-108-000-080	0E	C-JUMPER, U	USM	CX-SNAJ310
0 X	TUNER (IF)	R 0823	88-108-333-080	0E	C-RES, U 33K-1/16W J	LHSFD	CX-NSZ310
0 X	TUNER (IF)	R 0823	88-108-333-080	0E	C-RES, U 33K-1/16W J	LHSFD	CX-NSZ510
0 X	TUNER (IF)	R 0823	88-108-333-080	0E	C-RES, U 33K-1/16W J	USM	CX-SNAJ310
X	TUNER (IF)	R 0823	88-108-473-080	0E	C-RES, U 47K-1/16W J	EZSFD	CX-NSZ315
0 X	TUNER (IF)	R 0823	88-108-473-080	0E	C-RES, U 47K-1/16W J	EZSFD	CX-NSZ310
0 X	TUNER (IF)	R 0823	88-108-473-080	0E	C-RES, U 47K-1/16W J	KSFD	CX-NSZ310
0 X	TUNER (IF)	R 0824	88-108-102-080	0E	C-RES, U 1K-1/16W J	LHSFD	CX-NSZ310
0 X	TUNER (IF)	R 0824	88-108-102-080	0E	C-RES, U 1K-1/16W J	LHSFD	CX-NSZ510
0 X	TUNER (IF)	R 0824	88-108-102-080	0E	C-RES, U 1K-1/16W J	USM	CX-SNAJ310
0 X	TUNER (IF)	R 0825	88-108-473-080	0E	C-RES, U 47K-1/16W J	LHSFD	CX-NSZ310
0 X	TUNER (IF)	R 0825	88-108-473-080	0E	C-RES, U 47K-1/16W J	LHSFD	CX-NSZ510
0 X	TUNER (IF)	R 0825	88-108-473-080	0E	C-RES, U 47K-1/16W J	USM	CX-SNAJ310
X	TUNER (IF)	R 0826	88-108-223-080	0E	C-RES, U 22K-1/16W J	EZSFD	CX-NSZ315
0 X	TUNER (IF)	R 0826	88-108-223-080	0E	C-RES, U 22K-1/16W J	EZSFD	CX-NSZ310
0 X	TUNER (IF)	R 0826	88-108-223-080	0E	C-RES, U 22K-1/16W J	KSFD	CX-NSZ310
0 X	TUNER (IF)	R 0826	88-108-223-080	0E	C-RES, U 22K-1/16W J	LHSFD	CX-NSZ310
0 X	TUNER (IF)	R 0826	88-108-223-080	0E	C-RES, U 22K-1/16W J	LHSFD	CX-NSZ510
0 X	TUNER (IF)	R 0826	88-108-223-080	0E	C-RES, U 22K-1/16W J	USM	CX-SNAJ310
O	TUNER (PLL)	C 0971	87-A12-067-080	0E	CAP, E 330-16 SMG	EZSFD	CX-NSZ315
O	TUNER (PLL)	C 0971	87-A12-067-080	0E	CAP, E 330-16 SMG	EZSFD	CX-NSZ310
O	TUNER (PLL)	C 0971	87-A12-067-080	0E	CAP, E 330-16 SMG	KSFD	CX-NSZ310
O	TUNER (PLL)	C 0971	87-A12-067-080	0E	CAP, E 330-16 SMG	LHSFD	CX-NSZ310
O	TUNER (PLL)	C 0971	87-A12-067-080	0E	CAP, E 330-16 SMG	LHSFD	CX-NSZ510
O	TUNER (PLL)	C 0971	87-A12-067-080	0E	CAP, E 330-16 SMG	USM	CX-SNAJ310
O	TUNER (PLL)	C 0972	87-A12-090-080	0E	CAP, E 4.7-50 SMG	EZSFD	CX-NSZ315
O	TUNER (PLL)	C 0972	87-A12-090-080	0E	CAP, E 4.7-50 SMG	EZSFD	CX-NSZ310
O	TUNER (PLL)	C 0972	87-A12-090-080	0E	CAP, E 4.7-50 SMG	KSFD	CX-NSZ310
O	TUNER (PLL)	C 0972	87-A12-090-080	0E	CAP, E 4.7-50 SMG	LHSFD	CX-NSZ310
O	TUNER (PLL)	C 0972	87-A12-090-080	0E	CAP, E 4.7-50 SMG	LHSFD	CX-NSZ510
O	TUNER (PLL)	C 0972	87-A12-090-080	0E	CAP, E 4.7-50 SMG	USM	CX-SNAJ310
O	TUNER (PLL)	C 0973	87-012-286-080	0E	C-CAP, U 0.01-25 K B	EZSFD	CX-NSZ315
O	TUNER (PLL)	C 0973	87-012-286-080	0E	C-CAP, U 0.01-25 K B	EZSFD	CX-NSZ310
O	TUNER (PLL)	C 0973	87-012-286-080	0E	C-CAP, U 0.01-25 K B	KSFD	CX-NSZ310
O	TUNER (PLL)	C 0973	87-012-286-080	0E	C-CAP, U 0.01-25 K B	LHSFD	CX-NSZ310

# PARTS LIST

! =  $\Delta$  SAFTY PARTS  
 C = Components marked

All components used on this model at the production line are shown in this service manual.

However, please note that not all components will be available as spare parts for after-sales service.

Components marked S and O are designated as spare parts for service and will be stocked at the spare parts centers.

Components marked X and R are not designated as spare parts for after sales service, and will not be stocked at the spare parts centers.

K NO. = Only use japanese.

! C	UNIT NAME	REF NO.	PARTS CODE	K NO.	DESCRIPTION	SUFFIX	MODEL NAME
0 O	TUNER (PLL)	C	0973 87-012-286-080	0E	C-CAP,U 0.01-25 K B	LHSFD	CX-NSZ510
0 O	TUNER (PLL)	C	0973 87-012-286-080	0E	C-CAP,U 0.01-25 K B	USM	CX-SNAJ310
0 O	TUNER (PLL)	C	0974 87-012-286-080	0E	C-CAP,U 0.01-25 K B	EZSFD	CX-NSZ315
0 O	TUNER (PLL)	C	0974 87-012-286-080	0E	C-CAP,U 0.01-25 K B	EZSFD	CX-NSZ310
0 O	TUNER (PLL)	C	0974 87-012-286-080	0E	C-CAP,U 0.01-25 K B	KSFD	CX-NSZ310
0 O	TUNER (PLL)	C	0974 87-012-286-080	0E	C-CAP,U 0.01-25 K B	LHSFD	CX-NSZ310
0 O	TUNER (PLL)	C	0974 87-012-286-080	0E	C-CAP,U 0.01-25 K B	LHSFD	CX-NSZ510
0 O	TUNER (PLL)	C	0974 87-012-286-080	0E	C-CAP,U 0.01-25 K B	USM	CX-SNAJ310
0 O	TUNER (PLL)	C	0979 87-012-195-080	0E	C-CAP,U 100P-50 J CH	EZSFD	CX-NSZ315
0 O	TUNER (PLL)	C	0979 87-012-195-080	0E	C-CAP,U 100P-50 J CH	EZSFD	CX-NSZ310
0 O	TUNER (PLL)	C	0979 87-012-195-080	0E	C-CAP,U 100P-50 J CH	KSFD	CX-NSZ310
0 O	TUNER (PLL)	C	0979 87-012-195-080	0E	C-CAP,U 100P-50 J CH	LHSFD	CX-NSZ310
0 O	TUNER (PLL)	C	0979 87-012-195-080	0E	C-CAP,U 100P-50 J CH	LHSFD	CX-NSZ510
0 O	TUNER (PLL)	C	0979 87-012-195-080	0E	C-CAP,U 100P-50 J CH	USM	CX-SNAJ310
0 O	TUNER (PLL)	C	0981 87-A12-071-080	0E	CAP,E 47-25 SMG	EZSFD	CX-NSZ315
0 O	TUNER (PLL)	C	0981 87-A12-071-080	0E	CAP,E 47-25 SMG	EZSFD	CX-NSZ310
0 O	TUNER (PLL)	C	0981 87-A12-071-080	0E	CAP,E 47-25 SMG	KSFD	CX-NSZ310
0 O	TUNER (PLL)	C	0981 87-A12-071-080	0E	CAP,E 47-25 SMG	LHSFD	CX-NSZ310
0 O	TUNER (PLL)	C	0981 87-A12-071-080	0E	CAP,E 47-25 SMG	LHSFD	CX-NSZ510
0 O	TUNER (PLL)	C	0981 87-A12-071-080	0E	CAP,E 47-25 SMG	USM	CX-SNAJ310
0 O	TUNER (PLL)	C	0982 87-010-831-080	0E	C-CAP,U 0.1-16 Z F	EZSFD	CX-NSZ315
0 O	TUNER (PLL)	C	0982 87-010-831-080	0E	C-CAP,U 0.1-16 Z F	EZSFD	CX-NSZ310
0 O	TUNER (PLL)	C	0982 87-010-831-080	0E	C-CAP,U 0.1-16 Z F	KSFD	CX-NSZ310
0 O	TUNER (PLL)	C	0982 87-010-831-080	0E	C-CAP,U 0.1-16 Z F	LHSFD	CX-NSZ310
0 O	TUNER (PLL)	C	0982 87-010-831-080	0E	C-CAP,U 0.1-16 Z F	LHSFD	CX-NSZ510
0 O	TUNER (PLL)	C	0982 87-010-831-080	0E	C-CAP,U 0.1-16 Z F	USM	CX-SNAJ310
0 O	TUNER (PLL)	C	0983 87-012-286-080	0E	C-CAP,U 0.01-25 K B	EZSFD	CX-NSZ315
0 O	TUNER (PLL)	C	0983 87-012-286-080	0E	C-CAP,U 0.01-25 K B	EZSFD	CX-NSZ310
0 O	TUNER (PLL)	C	0983 87-012-286-080	0E	C-CAP,U 0.01-25 K B	KSFD	CX-NSZ310
0 O	TUNER (PLL)	C	0983 87-012-286-080	0E	C-CAP,U 0.01-25 K B	LHSFD	CX-NSZ310
0 O	TUNER (PLL)	C	0983 87-012-286-080	0E	C-CAP,U 0.01-25 K B	LHSFD	CX-NSZ510
0 O	TUNER (PLL)	C	0983 87-012-286-080	0E	C-CAP,U 0.01-25 K B	USM	CX-SNAJ310
0 O	TUNER (PLL)	C	0984 87-012-286-080	0E	C-CAP,U 0.01-25 K B	EZSFD	CX-NSZ315
0 O	TUNER (PLL)	C	0984 87-012-286-080	0E	C-CAP,U 0.01-25 K B	EZSFD	CX-NSZ310
0 O	TUNER (PLL)	C	0984 87-012-286-080	0E	C-CAP,U 0.01-25 K B	KSFD	CX-NSZ310
0 O	TUNER (PLL)	C	0984 87-012-286-080	0E	C-CAP,U 0.01-25 K B	LHSFD	CX-NSZ310
0 O	TUNER (PLL)	C	0984 87-012-286-080	0E	C-CAP,U 0.01-25 K B	LHSFD	CX-NSZ510
0 O	TUNER (PLL)	C	0984 87-012-286-080	0E	C-CAP,U 0.01-25 K B	USM	CX-SNAJ310
0 O	TUNER (PLL)	C	0985 87-012-195-080	0E	C-CAP,U 100P-50 J CH	EZSFD	CX-NSZ315
0 O	TUNER (PLL)	C	0985 87-012-195-080	0E	C-CAP,U 100P-50 J CH	EZSFD	CX-NSZ310
0 O	TUNER (PLL)	C	0985 87-012-195-080	0E	C-CAP,U 100P-50 J CH	KSFD	CX-NSZ310
0 O	TUNER (PLL)	C	0987 87-012-286-080	0E	C-CAP,U 0.01-25 K B	EZSFD	CX-NSZ315
0 O	TUNER (PLL)	C	0987 87-012-286-080	0E	C-CAP,U 0.01-25 K B	EZSFD	CX-NSZ310
0 O	TUNER (PLL)	C	0987 87-012-286-080	0E	C-CAP,U 0.01-25 K B	KSFD	CX-NSZ310
0 O	TUNER (PLL)	C	0987 87-012-286-080	0E	C-CAP,U 0.01-25 K B	LHSFD	CX-NSZ310
0 O	TUNER (PLL)	C	0987 87-012-286-080	0E	C-CAP,U 0.01-25 K B	LHSFD	CX-NSZ510
0 O	TUNER (PLL)	C	0987 87-012-286-080	0E	C-CAP,U 0.01-25 K B	USM	CX-SNAJ310
0 O	TUNER (PLL)	C	0989 87-012-286-080	0E	C-CAP,U 0.01-25 K B	EZSFD	CX-NSZ315
0 O	TUNER (PLL)	C	0989 87-012-286-080	0E	C-CAP,U 0.01-25 K B	EZSFD	CX-NSZ310
0 O	TUNER (PLL)	C	0989 87-012-286-080	0E	C-CAP,U 0.01-25 K B	KSFD	CX-NSZ310
0 O	TUNER (PLL)	C	0991 87-012-176-080	0E	C-CAP,U 15P-50 J CH	EZSFD	CX-NSZ315
0 O	TUNER (PLL)	C	0991 87-012-176-080	0E	C-CAP,U 15P-50 J CH	EZSFD	CX-NSZ310
0 O	TUNER (PLL)	C	0991 87-012-176-080	0E	C-CAP,U 15P-50 J CH	KSFD	CX-NSZ310
0 O	TUNER (PLL)	C	0991 87-012-176-080	0E	C-CAP,U 15P-50 J CH	LHSFD	CX-NSZ310
0 O	TUNER (PLL)	C	0991 87-012-176-080	0E	C-CAP,U 15P-50 J CH	LHSFD	CX-NSZ510
0 O	TUNER (PLL)	C	0991 87-012-176-080	0E	C-CAP,U 15P-50 J CH	USM	CX-SNAJ310
0 O	TUNER (PLL)	C	0992 87-012-176-080	0E	C-CAP,U 15P-50 J CH	EZSFD	CX-NSZ315
0 O	TUNER (PLL)	C	0992 87-012-176-080	0E	C-CAP,U 15P-50 J CH	EZSFD	CX-NSZ310
0 O	TUNER (PLL)	C	0992 87-012-176-080	0E	C-CAP,U 15P-50 J CH	KSFD	CX-NSZ310
0 O	TUNER (PLL)	C	0992 87-012-176-080	0E	C-CAP,U 15P-50 J CH	LHSFD	CX-NSZ310
0 O	TUNER (PLL)	C	0992 87-012-176-080	0E	C-CAP,U 15P-50 J CH	LHSFD	CX-NSZ510
0 O	TUNER (PLL)	C	0992 87-012-176-080	0E	C-CAP,U 15P-50 J CH	USM	CX-SNAJ310
0 O	TUNER (PLL)	C	0993 87-012-274-080	0E	C-CAP,U 1000P-50 K B	EZSFD	CX-NSZ315
0 O	TUNER (PLL)	C	0993 87-012-274-080	0E	C-CAP,U 1000P-50 K B	EZSFD	CX-NSZ310
0 O	TUNER (PLL)	C	0993 87-012-274-080	0E	C-CAP,U 1000P-50 K B	KSFD	CX-NSZ310
0 O	TUNER (PLL)	C	0993 87-012-274-080	0E	C-CAP,U 1000P-50 K B	LHSFD	CX-NSZ310
0 O	TUNER (PLL)	C	0993 87-012-274-080	0E	C-CAP,U 1000P-50 K B	LHSFD	CX-NSZ510
0 O	TUNER (PLL)	C	0993 87-012-274-080	0E	C-CAP,U 1000P-50 K B	USM	CX-SNAJ310
0 O	TUNER (PLL)	C	0995 87-012-274-080	0E	C-CAP,U 1000P-50 K B	EZSFD	CX-NSZ315
0 O	TUNER (PLL)	C	0995 87-012-274-080	0E	C-CAP,U 1000P-50 K B	EZSFD	CX-NSZ310

# PARTS LIST

! =  $\Delta$  SAFTY PARTS  
 C = Components marked

All components used on this model at the production line are shown in this service manual.

However, please note that not all components will be available as spare parts for after-sales service.

Components marked S and O are designated as spare parts for service and will be stocked at the spare parts centers.

Components marked X and R are not designated as spare parts for after sales service, and will not be stocked at the spare parts centers.

K NO. = Only use japanese.

! C	UNIT NAME	REF NO.	PARTS CODE	K NO.	DESCRIPTION	SUFFIX	MODEL NAME
0 O	TUNER (PLL)	C 0995	87-012-274-080	0E	C-CAP,U 1000P-50	K B KSFDF	CX-NSZ310
0 O	TUNER (PLL)	C 0995	87-012-274-080	0E	C-CAP,U 1000P-50	K B LHSFDF	CX-NSZ310
0 O	TUNER (PLL)	C 0995	87-012-274-080	0E	C-CAP,U 1000P-50	K B LHSFDF	CX-NSZ510
0 O	TUNER (PLL)	C 0995	87-012-274-080	0E	C-CAP,U 1000P-50	K B USM	CX-SNAJ310
0 O	TUNER (PLL)	C 0997	87-010-831-080	0E	C-CAP,U 0.1-16	Z F EZSFDF	CX-NSZ315
0 O	TUNER (PLL)	C 0997	87-010-831-080	0E	C-CAP,U 0.1-16	Z F EZSFDF	CX-NSZ310
0 O	TUNER (PLL)	C 0997	87-010-831-080	0E	C-CAP,U 0.1-16	Z F KSFDF	CX-NSZ310
0 O	TUNER (PLL)	C 0997	87-010-831-080	0E	C-CAP,U 0.1-16	Z F LHSFDF	CX-NSZ310
0 O	TUNER (PLL)	C 0997	87-010-831-080	0E	C-CAP,U 0.1-16	Z F LHSFDF	CX-NSZ510
0 O	TUNER (PLL)	C 0997	87-010-831-080	0E	C-CAP,U 0.1-16	Z F USM	CX-SNAJ310
0 O	TUNER (PLL)	C 0998	87-A12-071-080	0E	CAP,E 47-25	SMG EZSFDF	CX-NSZ315
0 O	TUNER (PLL)	C 0998	87-A12-071-080	0E	CAP,E 47-25	SMG EZSFDF	CX-NSZ310
0 O	TUNER (PLL)	C 0998	87-A12-071-080	0E	CAP,E 47-25	SMG KSFDF	CX-NSZ310
0 O	TUNER (PLL)	C 0998	87-A12-071-080	0E	CAP,E 47-25	SMG LHSFDF	CX-NSZ310
0 O	TUNER (PLL)	C 0998	87-A12-071-080	0E	CAP,E 47-25	SMG LHSFDF	CX-NSZ510
0 O	TUNER (PLL)	C 0998	87-A12-071-080	0E	CAP,E 47-25	SMG USM	CX-SNAJ310
0 O	TUNER (PLL)	C 0999	87-A11-155-080	0E	CAP,TC U 0.01-16	Z F EZSFDF	CX-NSZ315
0 O	TUNER (PLL)	C 0999	87-A11-155-080	0E	CAP,TC U 0.01-16	Z F EZSFDF	CX-NSZ310
0 O	TUNER (PLL)	C 0999	87-A11-155-080	0E	CAP,TC U 0.01-16	Z F KSFDF	CX-NSZ310
0 O	TUNER (PLL)	C 0999	87-A11-155-080	0E	CAP,TC U 0.01-16	Z F LHSFDF	CX-NSZ310
0 O	TUNER (PLL)	C 0999	87-A11-155-080	0E	CAP,TC U 0.01-16	Z F LHSFDF	CX-NSZ510
0 O	TUNER (PLL)	C 0999	87-A11-155-080	0E	CAP,TC U 0.01-16	Z F USM	CX-SNAJ310
0 S	TUNER (PLL)	D 0991	87-017-149-080	0E	ZENER,HZS6A2L	EZSFDF	CX-NSZ315
0 S	TUNER (PLL)	D 0991	87-017-149-080	0E	ZENER,HZS6A2L	EZSFDF	CX-NSZ310
0 S	TUNER (PLL)	D 0991	87-017-149-080	0E	ZENER,HZS6A2L	KSFDF	CX-NSZ310
0 S	TUNER (PLL)	D 0991	87-017-149-080	0E	ZENER,HZS6A2L	LHSFDF	CX-NSZ310
0 S	TUNER (PLL)	D 0991	87-017-149-080	0E	ZENER,HZS6A2L	LHSFDF	CX-NSZ510
0 S	TUNER (PLL)	D 0991	87-017-149-080	0E	ZENER,HZS6A2L	USM	CX-SNAJ310
0 S	TUNER (PLL)	D 0992	87-A40-291-080	0E	DIODE,1N4148M	(CPT) EZSFDF	CX-NSZ315
0 S	TUNER (PLL)	D 0992	87-A40-291-080	0E	DIODE,1N4148M	(CPT) EZSFDF	CX-NSZ310
0 S	TUNER (PLL)	D 0994	87-A40-291-080	0E	DIODE,1N4148M	(CPT) KSFDF	CX-NSZ310
0 S	TUNER (PLL)	D 0994	87-A40-291-080	0E	DIODE,1N4148M	(CPT) EZSFDF	CX-NSZ315
0 S	TUNER (PLL)	D 0994	87-A40-291-080	0E	DIODE,1N4148M	(CPT) EZSFDF	CX-NSZ310
0 S	TUNER (PLL)	D 0994	87-A40-291-080	0E	DIODE,1N4148M	(CPT) KSFDF	CX-NSZ310
0 S	TUNER (PLL)	D 0994	87-A40-291-080	0E	DIODE,1N4148M	(CPT) LHSFDF	CX-NSZ310
0 S	TUNER (PLL)	D 0994	87-A40-291-080	0E	DIODE,1N4148M	(CPT) LHSFDF	CX-NSZ510
0 S	TUNER (PLL)	D 0994	87-A40-291-080	0E	DIODE,1N4148M	(CPT) USM	CX-SNAJ310
0 S	TUNER (PLL)	IC 0991	87-A21-928-010	1C	IC,LC72131D-N	EZSFDF	CX-NSZ315
0 S	TUNER (PLL)	IC 0991	87-A21-928-010	1C	IC,LC72131D-N	EZSFDF	CX-NSZ310
0 S	TUNER (PLL)	IC 0991	87-A21-928-010	1C	IC,LC72131D-N	KSFDF	CX-NSZ310
0 S	TUNER (PLL)	IC 0991	87-A21-928-010	1C	IC,LC72131D-N	LHSFDF	CX-NSZ310
0 S	TUNER (PLL)	IC 0991	87-A21-928-010	1C	IC,LC72131D-N	LHSFDF	CX-NSZ510
0 S	TUNER (PLL)	IC 0991	87-A21-928-010	1C	IC,LC72131D-N	USM	CX-SNAJ310
0 X	TUNER (PLL)	JR 0971	88-129-000-080	0E	C-JUMPER, 3216	EZSFDF	CX-NSZ315
0 X	TUNER (PLL)	JR 0971	88-129-000-080	0E	C-JUMPER, 3216	EZSFDF	CX-NSZ310
0 X	TUNER (PLL)	JR 0971	88-129-000-080	0E	C-JUMPER, 3216	KSFDF	CX-NSZ310
0 X	TUNER (PLL)	JR 0971	88-129-000-080	0E	C-JUMPER, 3216	LHSFDF	CX-NSZ310
0 X	TUNER (PLL)	JR 0971	88-129-000-080	0E	C-JUMPER, 3216	LHSFDF	CX-NSZ510
0 X	TUNER (PLL)	JR 0971	88-129-000-080	0E	C-JUMPER, 3216	USM	CX-SNAJ310
0 X	TUNER (PLL)	JR 0972	88-108-000-080	0E	C-JUMPER, U	EZSFDF	CX-NSZ315
0 X	TUNER (PLL)	JR 0972	88-108-000-080	0E	C-JUMPER, U	EZSFDF	CX-NSZ310
0 X	TUNER (PLL)	JR 0972	88-108-000-080	0E	C-JUMPER, U	KSFDF	CX-NSZ310
0 X	TUNER (PLL)	JR 0972	88-108-000-080	0E	C-JUMPER, U	LHSFDF	CX-NSZ310
0 X	TUNER (PLL)	JR 0972	88-108-000-080	0E	C-JUMPER, U	LHSFDF	CX-NSZ510
0 X	TUNER (PLL)	JR 0972	88-108-000-080	0E	C-JUMPER, U	USM	CX-SNAJ310
0 X	TUNER (PLL)	JR 0973	88-129-000-080	0E	C-JUMPER, 3216	EZSFDF	CX-NSZ315
0 X	TUNER (PLL)	JR 0973	88-129-000-080	0E	C-JUMPER, 3216	EZSFDF	CX-NSZ310
0 X	TUNER (PLL)	JR 0973	88-129-000-080	0E	C-JUMPER, 3216	KSFDF	CX-NSZ310
0 X	TUNER (PLL)	JR 0973	88-129-000-080	0E	C-JUMPER, 3216	LHSFDF	CX-NSZ310
0 X	TUNER (PLL)	JR 0973	88-129-000-080	0E	C-JUMPER, 3216	LHSFDF	CX-NSZ510
0 X	TUNER (PLL)	JR 0973	88-129-000-080	0E	C-JUMPER, 3216	USM	CX-SNAJ310
0 X	TUNER (PLL)	JR 0974	88-108-000-080	0E	C-JUMPER, U	EZSFDF	CX-NSZ315
0 X	TUNER (PLL)	JR 0974	88-108-000-080	0E	C-JUMPER, U	EZSFDF	CX-NSZ310
0 X	TUNER (PLL)	JR 0974	88-108-000-080	0E	C-JUMPER, U	KSFDF	CX-NSZ310
0 X	TUNER (PLL)	JR 0974	88-108-000-080	0E	C-JUMPER, U	LHSFDF	CX-NSZ310
0 X	TUNER (PLL)	JR 0974	88-108-000-080	0E	C-JUMPER, U	LHSFDF	CX-NSZ510
0 X	TUNER (PLL)	JR 0974	88-108-000-080	0E	C-JUMPER, U	USM	CX-SNAJ310
0 X	TUNER (PLL)	JR 0976	88-108-000-080	0E	C-JUMPER, U	EZSFDF	CX-NSZ315
0 X	TUNER (PLL)	JR 0976	88-108-000-080	0E	C-JUMPER, U	EZSFDF	CX-NSZ310
0 X	TUNER (PLL)	JR 0976	88-108-000-080	0E	C-JUMPER, U	KSFDF	CX-NSZ310



# PARTS LIST

! =  $\Delta$  SAFTY PARTS  
 C = Components marked

All components used on this model at the production line are shown in this service manual.  
 However, please note that not all components will be available as spare parts for after-sales service.  
 Components marked S and O are designated as spare parts for service and will be stocked at the spare parts centers.  
 Components marked X and R are not designated as spare parts for after sales service, and will not be stocked at the spare parts centers.  
 K NO. = Only use japanese.

! C	UNIT NAME	REF NO.	PARTS CODE	K NO.	DESCRIPTION	SUFFIX	MODEL NAME
0 X	TUNER (PLL)	JR 0976	88-108-000-080	0E	C-JUMPER, U	LHSFD	CX-NSZ310
0 X	TUNER (PLL)	JR 0976	88-108-000-080	0E	C-JUMPER, U	LHSFD	CX-NSZ510
0 X	TUNER (PLL)	JR 0976	88-108-000-080	0E	C-JUMPER, U	USM	CX-SNAJ310
X	TUNER (PLL)	JR 0977	88-108-000-080	0E	C-JUMPER, U	EZSFD	CX-NSZ315
0 X	TUNER (PLL)	JR 0977	88-108-000-080	0E	C-JUMPER, U	EZSFD	CX-NSZ310
0 X	TUNER (PLL)	JR 0977	88-108-000-080	0E	C-JUMPER, U	KSFD	CX-NSZ310
0 X	TUNER (PLL)	JR 0977	88-108-000-080	0E	C-JUMPER, U	LHSFD	CX-NSZ310
0 X	TUNER (PLL)	JR 0977	88-108-000-080	0E	C-JUMPER, U	LHSFD	CX-NSZ510
0 X	TUNER (PLL)	JR 0977	88-108-000-080	0E	C-JUMPER, U	USM	CX-SNAJ310
X	TUNER (PLL)	JR 0988	88-108-000-080	0E	C-JUMPER, U	EZSFD	CX-NSZ315
0 X	TUNER (PLL)	JR 0988	88-108-000-080	0E	C-JUMPER, U	EZSFD	CX-NSZ310
0 X	TUNER (PLL)	JR 0988	88-108-000-080	0E	C-JUMPER, U	KSFD	CX-NSZ310
0 X	TUNER (PLL)	JR 0988	88-108-000-080	0E	C-JUMPER, U	LHSFD	CX-NSZ310
0 X	TUNER (PLL)	JR 0988	88-108-000-080	0E	C-JUMPER, U	LHSFD	CX-NSZ510
0 X	TUNER (PLL)	JR 0988	88-108-000-080	0E	C-JUMPER, U	USM	CX-SNAJ310
X	TUNER (PLL)	JR 0991	88-108-000-080	0E	C-JUMPER, U	EZSFD	CX-NSZ315
0 X	TUNER (PLL)	JR 0991	88-108-000-080	0E	C-JUMPER, U	EZSFD	CX-NSZ310
0 X	TUNER (PLL)	JR 0991	88-108-000-080	0E	C-JUMPER, U	KSFD	CX-NSZ310
0 X	TUNER (PLL)	JR 0991	88-108-000-080	0E	C-JUMPER, U	LHSFD	CX-NSZ310
0 X	TUNER (PLL)	JR 0991	88-108-000-080	0E	C-JUMPER, U	LHSFD	CX-NSZ510
0 X	TUNER (PLL)	JR 0991	88-108-000-080	0E	C-JUMPER, U	USM	CX-SNAJ310
S	TUNER (PLL)	Q 0981	87-A30-234-080	0E	TR, CSC4115BC	EZSFD	CX-NSZ315
0 S	TUNER (PLL)	Q 0981	87-A30-234-080	0E	TR, CSC4115BC	EZSFD	CX-NSZ310
0 S	TUNER (PLL)	Q 0981	87-A30-234-080	0E	TR, CSC4115BC	KSFD	CX-NSZ310
0 S	TUNER (PLL)	Q 0981	87-A30-234-080	0E	TR, CSC4115BC	LHSFD	CX-NSZ310
0 S	TUNER (PLL)	Q 0981	87-A30-234-080	0E	TR, CSC4115BC	LHSFD	CX-NSZ510
0 S	TUNER (PLL)	Q 0981	87-A30-234-080	0E	TR, CSC4115BC	USM	CX-SNAJ310
X	TUNER (PLL)	R 0973	88-108-102-080	0E	C-RES, U 1K-1/16W J	EZSFD	CX-NSZ315
0 X	TUNER (PLL)	R 0973	88-108-102-080	0E	C-RES, U 1K-1/16W J	EZSFD	CX-NSZ310
0 X	TUNER (PLL)	R 0973	88-108-102-080	0E	C-RES, U 1K-1/16W J	KSFD	CX-NSZ310
X	TUNER (PLL)	R 0975	88-108-562-080	0E	C-RES, U 5.6K-1/16W J	EZSFD	CX-NSZ315
0 X	TUNER (PLL)	R 0975	88-108-562-080	0E	C-RES, U 5.6K-1/16W J	EZSFD	CX-NSZ310
0 X	TUNER (PLL)	R 0975	88-108-562-080	0E	C-RES, U 5.6K-1/16W J	KSFD	CX-NSZ310
0 X	TUNER (PLL)	R 0975	88-108-562-080	0E	C-RES, U 5.6K-1/16W J	LHSFD	CX-NSZ310
0 X	TUNER (PLL)	R 0975	88-108-562-080	0E	C-RES, U 5.6K-1/16W J	LHSFD	CX-NSZ510
0 X	TUNER (PLL)	R 0975	88-108-562-080	0E	C-RES, U 5.6K-1/16W J	USM	CX-SNAJ310
X	TUNER (PLL)	R 0976	88-108-102-080	0E	C-RES, U 1K-1/16W J	EZSFD	CX-NSZ315
0 X	TUNER (PLL)	R 0976	88-108-102-080	0E	C-RES, U 1K-1/16W J	EZSFD	CX-NSZ310
0 X	TUNER (PLL)	R 0976	88-108-102-080	0E	C-RES, U 1K-1/16W J	KSFD	CX-NSZ310
0 X	TUNER (PLL)	R 0976	88-108-102-080	0E	C-RES, U 1K-1/16W J	LHSFD	CX-NSZ310
0 X	TUNER (PLL)	R 0976	88-108-102-080	0E	C-RES, U 1K-1/16W J	LHSFD	CX-NSZ510
0 X	TUNER (PLL)	R 0976	88-108-102-080	0E	C-RES, U 1K-1/16W J	USM	CX-SNAJ310
X	TUNER (PLL)	R 0978	88-108-681-080	0E	C-RES, U 680-1/16W J	EZSFD	CX-NSZ315
0 X	TUNER (PLL)	R 0978	88-108-681-080	0E	C-RES, U 680-1/16W J	EZSFD	CX-NSZ310
0 X	TUNER (PLL)	R 0977	88-108-102-080	0E	C-RES, U 1K-1/16W J	USM	CX-SNAJ310
0 X	TUNER (PLL)	R 0977	88-108-102-080	0E	C-RES, U 1K-1/16W J	EZSFD	CX-NSZ315
0 X	TUNER (PLL)	R 0977	88-108-102-080	0E	C-RES, U 1K-1/16W J	EZSFD	CX-NSZ310
0 X	TUNER (PLL)	R 0977	88-108-102-080	0E	C-RES, U 1K-1/16W J	KSFD	CX-NSZ310
0 X	TUNER (PLL)	R 0977	88-108-102-080	0E	C-RES, U 1K-1/16W J	LHSFD	CX-NSZ310
0 X	TUNER (PLL)	R 0977	88-108-102-080	0E	C-RES, U 1K-1/16W J	LHSFD	CX-NSZ510
0 X	TUNER (PLL)	R 0977	88-108-102-080	0E	C-RES, U 1K-1/16W J	USM	CX-SNAJ310
X	TUNER (PLL)	R 0978	88-108-681-080	0E	C-RES, U 680-1/16W J	EZSFD	CX-NSZ315
0 X	TUNER (PLL)	R 0978	88-108-681-080	0E	C-RES, U 680-1/16W J	EZSFD	CX-NSZ310
0 X	TUNER (PLL)	R 0978	88-108-681-080	0E	C-RES, U 680-1/16W J	LHSFD	CX-NSZ310
0 X	TUNER (PLL)	R 0978	88-108-681-080	0E	C-RES, U 680-1/16W J	LHSFD	CX-NSZ510
0 X	TUNER (PLL)	R 0978	88-108-681-080	0E	C-RES, U 680-1/16W J	USM	CX-SNAJ310
X	TUNER (PLL)	R 0980	88-108-684-080	0E	C-RES, U 680K-1/16W J	EZSFD	CX-NSZ315
0 X	TUNER (PLL)	R 0980	88-108-684-080	0E	C-RES, U 680K-1/16W J	EZSFD	CX-NSZ310
0 X	TUNER (PLL)	R 0980	88-108-684-080	0E	C-RES, U 680K-1/16W J	KSFD	CX-NSZ310
0 X	TUNER (PLL)	R 0980	88-108-684-080	0E	C-RES, U 680K-1/16W J	LHSFD	CX-NSZ310
0 X	TUNER (PLL)	R 0980	88-108-684-080	0E	C-RES, U 680K-1/16W J	LHSFD	CX-NSZ510
0 X	TUNER (PLL)	R 0980	88-108-684-080	0E	C-RES, U 680K-1/16W J	USM	CX-SNAJ310
X	TUNER (PLL)	R 0981	88-121-471-080	0E	RES, 470-1/8W J	EZSFD	CX-NSZ315
0 X	TUNER (PLL)	R 0981	88-121-471-080	0E	RES, 470-1/8W J	EZSFD	CX-NSZ310
0 X	TUNER (PLL)	R 0981	88-121-471-080	0E	RES, 470-1/8W J	KSFD	CX-NSZ310
0 X	TUNER (PLL)	R 0981	88-121-471-080	0E	RES, 470-1/8W J	LHSFD	CX-NSZ310
0 X	TUNER (PLL)	R 0981	88-121-471-080	0E	RES, 470-1/8W J	LHSFD	CX-NSZ510
0 X	TUNER (PLL)	R 0981	88-121-471-080	0E	RES, 470-1/8W J	USM	CX-SNAJ310
X	TUNER (PLL)	R 0982	88-108-103-080	0E	C-RES, U 10K-1/16W J	EZSFD	CX-NSZ315
0 X	TUNER (PLL)	R 0982	88-108-103-080	0E	C-RES, U 10K-1/16W J	EZSFD	CX-NSZ310
0 X	TUNER (PLL)	R 0982	88-108-103-080	0E	C-RES, U 10K-1/16W J	KSFD	CX-NSZ310
0 X	TUNER (PLL)	R 0982	88-108-822-080	0E	C-RES, U 8.2K-1/16W J	LHSFD	CX-NSZ310

# PARTS LIST

! =  $\Delta$  SAFTY PARTS  
 C = Components marked

All components used on this model at the production line are shown in this service manual.

However, please note that not all components will be available as spare parts for after-sales service.

Components marked S and O are designated as spare parts for service and will be stocked at the spare parts centers.

Components marked X and R are not designated as spare parts for after sales service, and will not be stocked at the spare parts centers.

K NO. = Only use japanese.

! C	UNIT NAME	REF NO.	PARTS CODE	K NO.	DESCRIPTION	SUFFIX	MODEL NAME
0 X	TUNER (PLL)	R	0982 88-108-822-080	0E	C-RES,U 8.2K-1/16W J	LHSFD	CX-NSZ510
0 X	TUNER (PLL)	R	0982 88-108-822-080	0E	C-RES,U 8.2K-1/16W J	USM	CX-SNAJ310
X	TUNER (PLL)	R	0983 88-108-101-080	0E	C-RES,U 100-1/16W J	EZSFD	CX-NSZ315
0 X	TUNER (PLL)	R	0983 88-108-101-080	0E	C-RES,U 100-1/16W J	EZSFD	CX-NSZ310
0 X	TUNER (PLL)	R	0983 88-108-101-080	0E	C-RES,U 100-1/16W J	KSFD	CX-NSZ310
0 X	TUNER (PLL)	R	0983 88-108-101-080	0E	C-RES,U 100-1/16W J	LHSFD	CX-NSZ310
0 X	TUNER (PLL)	R	0983 88-108-101-080	0E	C-RES,U 100-1/16W J	LHSFD	CX-NSZ510
0 X	TUNER (PLL)	R	0983 88-108-101-080	0E	C-RES,U 100-1/16W J	USM	CX-SNAJ310
X	TUNER (PLL)	R	0984 88-121-181-080	0E	RES,180-1/8W J	EZSFD	CX-NSZ315
0 X	TUNER (PLL)	R	0984 88-121-181-080	0E	RES,180-1/8W J	EZSFD	CX-NSZ310
0 X	TUNER (PLL)	R	0984 88-121-181-080	0E	RES,180-1/8W J	KSFD	CX-NSZ310
0 X	TUNER (PLL)	R	0984 88-121-181-080	0E	RES,180-1/8W J	LHSFD	CX-NSZ310
0 X	TUNER (PLL)	R	0984 88-121-181-080	0E	RES,180-1/8W J	LHSFD	CX-NSZ510
0 X	TUNER (PLL)	R	0984 88-121-181-080	0E	RES,180-1/8W J	USM	CX-SNAJ310
X	TUNER (PLL)	R	0985 88-121-471-080	0E	RES,470-1/8W J	EZSFD	CX-NSZ315
0 X	TUNER (PLL)	R	0985 88-121-471-080	0E	RES,470-1/8W J	EZSFD	CX-NSZ310
0 X	TUNER (PLL)	R	0985 88-121-471-080	0E	RES,470-1/8W J	KSFD	CX-NSZ310
0 X	TUNER (PLL)	R	0985 88-121-471-080	0E	RES,470-1/8W J	LHSFD	CX-NSZ310
0 X	TUNER (PLL)	R	0985 88-121-471-080	0E	RES,470-1/8W J	LHSFD	CX-NSZ510
0 X	TUNER (PLL)	R	0985 88-121-471-080	0E	RES,470-1/8W J	USM	CX-SNAJ310
X	TUNER (PLL)	R	0986 88-108-222-080	0E	C-RES,U 2.2K-1/16W J	EZSFD	CX-NSZ315
0 X	TUNER (PLL)	R	0986 88-108-222-080	0E	C-RES,U 2.2K-1/16W J	EZSFD	CX-NSZ310
0 X	TUNER (PLL)	R	0986 88-108-222-080	0E	C-RES,U 2.2K-1/16W J	KSFD	CX-NSZ310
0 X	TUNER (PLL)	R	0986 88-108-222-080	0E	C-RES,U 2.2K-1/16W J	LHSFD	CX-NSZ310
0 X	TUNER (PLL)	R	0986 88-108-222-080	0E	C-RES,U 2.2K-1/16W J	LHSFD	CX-NSZ510
0 X	TUNER (PLL)	R	0986 88-108-222-080	0E	C-RES,U 2.2K-1/16W J	USM	CX-SNAJ310
X	TUNER (PLL)	R	0987 88-121-472-080	0E	RES,4.7K-1/8W J	EZSFD	CX-NSZ315
0 X	TUNER (PLL)	R	0987 88-121-472-080	0E	RES,4.7K-1/8W J	EZSFD	CX-NSZ310
0 X	TUNER (PLL)	R	0987 88-121-472-080	0E	RES,4.7K-1/8W J	KSFD	CX-NSZ310
0 X	TUNER (PLL)	R	0987 88-121-472-080	0E	RES,4.7K-1/8W J	LHSFD	CX-NSZ310
0 X	TUNER (PLL)	R	0987 88-121-472-080	0E	RES,4.7K-1/8W J	LHSFD	CX-NSZ510
0 X	TUNER (PLL)	R	0987 88-121-472-080	0E	RES,4.7K-1/8W J	USM	CX-SNAJ310
X	TUNER (PLL)	R	0988 88-108-103-080	0E	C-RES,U 10K-1/16W J	EZSFD	CX-NSZ315
0 X	TUNER (PLL)	R	0988 88-108-103-080	0E	C-RES,U 10K-1/16W J	EZSFD	CX-NSZ310
0 X	TUNER (PLL)	R	0988 88-108-103-080	0E	C-RES,U 10K-1/16W J	KSFD	CX-NSZ310
0 X	TUNER (PLL)	R	0988 88-108-103-080	0E	C-RES,U 10K-1/16W J	LHSFD	CX-NSZ310
0 X	TUNER (PLL)	R	0988 88-108-103-080	0E	C-RES,U 10K-1/16W J	LHSFD	CX-NSZ510
0 X	TUNER (PLL)	R	0988 88-108-103-080	0E	C-RES,U 10K-1/16W J	USM	CX-SNAJ310
X	TUNER (PLL)	R	0989 88-121-102-080	0E	RES,1K-1/8W J	EZSFD	CX-NSZ315
0 X	TUNER (PLL)	R	0989 88-121-102-080	0E	RES,1K-1/8W J	EZSFD	CX-NSZ310
0 X	TUNER (PLL)	R	0989 88-121-102-080	0E	RES,1K-1/8W J	KSFD	CX-NSZ310
0 X	TUNER (PLL)	R	0989 88-121-102-080	0E	RES,1K-1/8W J	LHSFD	CX-NSZ310
0 X	TUNER (PLL)	R	0989 88-121-102-080	0E	RES,1K-1/8W J	LHSFD	CX-NSZ510
0 X	TUNER (PLL)	R	0989 88-121-102-080	0E	RES,1K-1/8W J	USM	CX-SNAJ310
X	TUNER (PLL)	R	0990 88-108-563-080	0E	C-RES,U 56K-1/16W J	EZSFD	CX-NSZ315
0 X	TUNER (PLL)	R	0990 88-108-563-080	0E	C-RES,U 56K-1/16W J	EZSFD	CX-NSZ310
0 X	TUNER (PLL)	R	0990 88-108-563-080	0E	C-RES,U 56K-1/16W J	KSFD	CX-NSZ310
0 X	TUNER (PLL)	R	0990 88-108-563-080	0E	C-RES,U 56K-1/16W J	LHSFD	CX-NSZ310
0 X	TUNER (PLL)	R	0990 88-108-563-080	0E	C-RES,U 56K-1/16W J	LHSFD	CX-NSZ510
0 X	TUNER (PLL)	R	0990 88-108-563-080	0E	C-RES,U 56K-1/16W J	USM	CX-SNAJ310
O	TUNER (PLL)	R	0991 87-012-195-080	0E	C-CAP,U 100P-50 J CH	EZSFD	CX-NSZ315
0 O	TUNER (PLL)	R	0991 87-012-195-080	0E	C-CAP,U 100P-50 J CH	EZSFD	CX-NSZ310
0 O	TUNER (PLL)	R	0991 87-012-195-080	0E	C-CAP,U 100P-50 J CH	KSFD	CX-NSZ310
0 O	TUNER (PLL)	R	0991 87-012-195-080	0E	C-CAP,U 100P-50 J CH	LHSFD	CX-NSZ310
0 O	TUNER (PLL)	R	0991 87-012-195-080	0E	C-CAP,U 100P-50 J CH	LHSFD	CX-NSZ510
0 O	TUNER (PLL)	R	0991 87-012-195-080	0E	C-CAP,U 100P-50 J CH	USM	CX-SNAJ310
X	TUNER (PLL)	R	0992 88-108-103-080	0E	C-RES,U 10K-1/16W J	EZSFD	CX-NSZ315
0 X	TUNER (PLL)	R	0992 88-108-103-080	0E	C-RES,U 10K-1/16W J	EZSFD	CX-NSZ310
0 X	TUNER (PLL)	R	0992 88-108-103-080	0E	C-RES,U 10K-1/16W J	KSFD	CX-NSZ310
0 X	TUNER (PLL)	R	0992 88-108-103-080	0E	C-RES,U 10K-1/16W J	LHSFD	CX-NSZ310
0 X	TUNER (PLL)	R	0992 88-108-103-080	0E	C-RES,U 10K-1/16W J	LHSFD	CX-NSZ510
0 X	TUNER (PLL)	R	0992 88-108-103-080	0E	C-RES,U 10K-1/16W J	USM	CX-SNAJ310
O	TUNER (PLL)	R	0993 87-012-195-080	0E	C-CAP,U 100P-50 J CH	EZSFD	CX-NSZ315
0 O	TUNER (PLL)	R	0993 87-012-195-080	0E	C-CAP,U 100P-50 J CH	EZSFD	CX-NSZ310
0 O	TUNER (PLL)	R	0993 87-012-195-080	0E	C-CAP,U 100P-50 J CH	KSFD	CX-NSZ310
0 O	TUNER (PLL)	R	0993 87-012-195-080	0E	C-CAP,U 100P-50 J CH	LHSFD	CX-NSZ310
0 O	TUNER (PLL)	R	0993 87-012-195-080	0E	C-CAP,U 100P-50 J CH	LHSFD	CX-NSZ510
0 O	TUNER (PLL)	R	0993 87-012-195-080	0E	C-CAP,U 100P-50 J CH	USM	CX-SNAJ310
X	TUNER (PLL)	R	0994 88-108-103-080	0E	C-RES,U 10K-1/16W J	EZSFD	CX-NSZ315
0 X	TUNER (PLL)	R	0994 88-108-103-080	0E	C-RES,U 10K-1/16W J	EZSFD	CX-NSZ310

# PARTS LIST

! =  $\Delta$  SAFTY PARTS  
 C = Components marked

All components used on this model at the production line are shown in this service manual.

However, please note that not all components will be available as spare parts for after-sales service.

Components marked S and O are designated as spare parts for service and will be stocked at the spare parts centers.

Components marked X and R are not designated as spare parts for after sales service, and will not be stocked at the spare parts centers.

K NO. = Only use japanese.

! C	UNIT NAME	REF NO.	PARTS CODE	K NO.	DESCRIPTION	SUFFIX	MODEL NAME
0 X	TUNER (PLL)	R	0994 88-108-103-080	0E	C-RES,U 10K-1/16W J	KSFD	CX-NSZ310
0 X	TUNER (PLL)	R	0994 88-108-103-080	0E	C-RES,U 10K-1/16W J	LHSFD	CX-NSZ310
0 X	TUNER (PLL)	R	0994 88-108-103-080	0E	C-RES,U 10K-1/16W J	LHSFD	CX-NSZ510
0 X	TUNER (PLL)	R	0994 88-108-103-080	0E	C-RES,U 10K-1/16W J	USM	CX-SNAJ310
0 O	TUNER (PLL)	R	0995 87-012-195-080	0E	C-CAP,U 100P-50 J CH	EZSFD	CX-NSZ315
0 O	TUNER (PLL)	R	0995 87-012-195-080	0E	C-CAP,U 100P-50 J CH	EZSFD	CX-NSZ310
0 O	TUNER (PLL)	R	0995 87-012-195-080	0E	C-CAP,U 100P-50 J CH	KSFD	CX-NSZ310
0 O	TUNER (PLL)	R	0995 87-012-195-080	0E	C-CAP,U 100P-50 J CH	LHSFD	CX-NSZ310
0 O	TUNER (PLL)	R	0995 87-012-195-080	0E	C-CAP,U 100P-50 J CH	LHSFD	CX-NSZ510
0 O	TUNER (PLL)	R	0995 87-012-195-080	0E	C-CAP,U 100P-50 J CH	USM	CX-SNAJ310
X	TUNER (PLL)	R	0996 88-108-103-080	0E	C-RES,U 10K-1/16W J	EZSFD	CX-NSZ315
0 X	TUNER (PLL)	R	0996 88-108-103-080	0E	C-RES,U 10K-1/16W J	EZSFD	CX-NSZ310
0 X	TUNER (PLL)	R	0996 88-108-103-080	0E	C-RES,U 10K-1/16W J	KSFD	CX-NSZ310
0 X	TUNER (PLL)	R	0996 88-108-103-080	0E	C-RES,U 10K-1/16W J	LHSFD	CX-NSZ310
0 X	TUNER (PLL)	R	0996 88-108-103-080	0E	C-RES,U 10K-1/16W J	LHSFD	CX-NSZ510
0 X	TUNER (PLL)	R	0996 88-108-103-080	0E	C-RES,U 10K-1/16W J	USM	CX-SNAJ310
0 X	TUNER (PLL)	R	0997 88-108-154-080	0E	C-RES,U 150K-1/16W J	EZSFD	CX-NSZ315
0 X	TUNER (PLL)	R	0997 88-108-154-080	0E	C-RES,U 150K-1/16W J	EZSFD	CX-NSZ310
0 X	TUNER (PLL)	R	0997 88-108-154-080	0E	C-RES,U 150K-1/16W J	KSFD	CX-NSZ310
0 X	TUNER (PLL)	R	0997 88-108-154-080	0E	C-RES,U 150K-1/16W J	LHSFD	CX-NSZ310
0 X	TUNER (PLL)	R	0997 88-108-154-080	0E	C-RES,U 150K-1/16W J	LHSFD	CX-NSZ510
0 X	TUNER (PLL)	R	0997 88-108-154-080	0E	C-RES,U 150K-1/16W J	USM	CX-SNAJ310
X	TUNER (PLL)	R	0998 88-108-102-080	0E	C-RES,U 1K-1/16W J	EZSFD	CX-NSZ315
0 X	TUNER (PLL)	R	0998 88-108-102-080	0E	C-RES,U 1K-1/16W J	EZSFD	CX-NSZ310
0 X	TUNER (PLL)	R	0998 88-108-102-080	0E	C-RES,U 1K-1/16W J	KSFD	CX-NSZ310
0 X	TUNER (PLL)	R	0998 88-108-102-080	0E	C-RES,U 1K-1/16W J	LHSFD	CX-NSZ310
0 X	TUNER (PLL)	R	0998 88-108-102-080	0E	C-RES,U 1K-1/16W J	LHSFD	CX-NSZ510
0 X	TUNER (PLL)	R	0998 88-108-102-080	0E	C-RES,U 1K-1/16W J	USM	CX-SNAJ310
X	TUNER (PLL)	R	0999 88-108-103-080	0E	C-RES,U 10K-1/16W J	EZSFD	CX-NSZ315
0 X	TUNER (PLL)	R	0999 88-108-103-080	0E	C-RES,U 10K-1/16W J	EZSFD	CX-NSZ310
0 X	TUNER (PLL)	R	0999 88-108-103-080	0E	C-RES,U 10K-1/16W J	LHSFD	CX-NSZ310
0 X	TUNER (PLL)	R	0999 88-108-103-080	0E	C-RES,U 10K-1/16W J	LHSFD	CX-NSZ510
0 X	TUNER (PLL)	R	0999 88-108-103-080	0E	C-RES,U 10K-1/16W J	USM	CX-SNAJ310
O	TUNER (PLL)	X	0992 87-A70-306-010	1A	VIB,XTAL 4.500MHZ CSA-309ST	EZSFD	CX-NSZ315
O	TUNER (PLL)	X	0992 87-A70-306-010	1A	VIB,XTAL 4.500MHZ CSA-309ST	EZSFD	CX-NSZ310
O	TUNER (PLL)	X	0992 87-A70-306-010	1A	VIB,XTAL 4.500MHZ CSA-309ST	KSFD	CX-NSZ310
O	TUNER (PLL)	X	0992 87-A70-306-010	1A	VIB,XTAL 4.500MHZ CSA-309ST	LHSFD	CX-NSZ310
O	TUNER (PLL)	X	0992 87-A70-306-010	1A	VIB,XTAL 4.500MHZ CSA-309ST	LHSFD	CX-NSZ510
O	TUNER (PLL)	X	0992 87-A70-306-010	1A	VIB,XTAL 4.500MHZ CSA-309ST	USM	CX-SNAJ310
O	TUNER (RDS)	C	0869 87-012-286-080	0E	C-CAP,U 0.01-25 K B	EZSFD	CX-NSZ315
O	TUNER (RDS)	C	0870 87-012-274-080	0E	C-CAP,U 1000P-50 K B	EZSFD	CX-NSZ315
O	TUNER (RDS)	C	0871 87-012-199-080	0E	C-CAP,U 220P-50 J CH	EZSFD	CX-NSZ315
O	TUNER (RDS)	C	0872 87-012-199-080	0E	C-CAP,U 220P-50 J CH	EZSFD	CX-NSZ315
O	TUNER (RDS)	C	0873 87-A10-039-080	0E	C-CAP,U 470P-50 J CH	EZSFD	CX-NSZ315
O	TUNER (RDS)	C	0874 87-A12-091-080	0E	CAP,E 10-50 SMG	EZSFD	CX-NSZ315
O	TUNER (RDS)	C	0875 87-010-759-080	0E	C-CAP,U 0.1-25 Z F	EZSFD	CX-NSZ315
O	TUNER (RDS)	C	0876 87-A12-091-080	0E	CAP,E 10-50 SMG	EZSFD	CX-NSZ315
O	TUNER (RDS)	C	0877 87-012-286-080	0E	C-CAP,U 0.01-25 K B	EZSFD	CX-NSZ315
O	TUNER (RDS)	C	0878 87-012-184-080	0E	C-CAP,U 33P-50 J CH	EZSFD	CX-NSZ315
O	TUNER (RDS)	C	0879 87-012-180-080	0E	C-CAP,U 22P-50 J CH	EZSFD	CX-NSZ315
S	TUNER (RDS)	IC	0861 87-A20-440-040	1H	C-IC,BU1920FS	EZSFD	CX-NSZ315
X	TUNER (RDS)	JR	0864 88-108-000-080	0E	C-JUMPER,U	EZSFD	CX-NSZ315
X	TUNER (RDS)	JR	0871 88-108-000-080	0E	C-JUMPER,U	EZSFD	CX-NSZ315
0 X	TUNER (RDS)	JR	0871 88-108-000-080	0E	C-JUMPER,U	EZSFD	CX-NSZ310
0 X	TUNER (RDS)	JR	0871 88-108-000-080	0E	C-JUMPER,U	EZSFD	CX-NSZ310
0 X	TUNER (RDS)	JR	0871 88-108-000-080	0E	C-JUMPER,U	KSFD	CX-NSZ310
0 X	TUNER (RDS)	JR	0871 88-108-000-080	0E	C-JUMPER,U	LHSFD	CX-NSZ310
0 X	TUNER (RDS)	JR	0871 88-108-000-080	0E	C-JUMPER,U	LHSFD	CX-NSZ510
0 X	TUNER (RDS)	JR	0871 88-108-000-080	0E	C-JUMPER,U	USM	CX-SNAJ310
X	TUNER (RDS)	JR	0873 88-108-000-080	0E	C-JUMPER,U	EZSFD	CX-NSZ315
0 X	TUNER (RDS)	JR	0873 88-108-000-080	0E	C-JUMPER,U	EZSFD	CX-NSZ310
0 X	TUNER (RDS)	JR	0873 88-108-000-080	0E	C-JUMPER,U	KSFD	CX-NSZ310
0 X	TUNER (RDS)	JR	0873 88-108-000-080	0E	C-JUMPER,U	LHSFD	CX-NSZ310
0 X	TUNER (RDS)	JR	0873 88-108-000-080	0E	C-JUMPER,U	LHSFD	CX-NSZ510
0 X	TUNER (RDS)	JR	0873 88-108-000-080	0E	C-JUMPER,U	USM	CX-SNAJ310
O	TUNER (RDS)	L	0861 87-005-847-080	0E	COLL,2.2UH K CECS	EZSFD	CX-NSZ315
S	TUNER (RDS)	Q	0861 87-A30-076-080	0E	C-TR,2SC3052F	EZSFD	CX-NSZ315
S	TUNER (RDS)	Q	0863 87-A30-076-080	0E	C-TR,2SC3052F	EZSFD	CX-NSZ315
X	TUNER (RDS)	R	0861 88-108-471-080	0E	C-RES,U 470-1/16W J	EZSFD	CX-NSZ315
X	TUNER (RDS)	R	0862 88-108-272-080	0E	C-RES,U 2.7K-1/16W J	EZSFD	CX-NSZ315

# PARTS LIST

! =  $\Delta$  SAFTY PARTS  
 C = Components marked

All components used on this model at the production line are shown in this service manual.

However, please note that not all components will be available as spare parts for after-sales service.

Components marked S and O are designated as spare parts for service and will be stocked at the spare parts centers.

Components marked X and R are not designated as spare parts for after sales service, and will not be stocked at the spare parts centers.

K NO. = Only use japanese.

! C	UNIT NAME	REF NO.	PARTS CODE	K NO.	DESCRIPTION	SUFFIX	MODEL NAME
X	TUNER (RDS)	R 0863	88-108-104-080	0E	C-RES,U 100K-1/16W J	EZSFD	CX-NSZ315
X	TUNER (RDS)	R 0864	88-108-123-080	0E	C-RES,U 12K-1/16W J	EZSFD	CX-NSZ315
X	TUNER (RDS)	R 0865	88-108-471-080	0E	C-RES,U 470-1/16W J	EZSFD	CX-NSZ315
X	TUNER (RDS)	R 0867	88-108-104-080	0E	C-RES,U 100K-1/16W J	EZSFD	CX-NSZ315
X	TUNER (RDS)	R 0870	88-121-102-080	0E	RES,1K-1/8W J	EZSFD	CX-NSZ315
X	TUNER (RDS)	R 0871	88-121-102-080	0E	RES,1K-1/8W J	EZSFD	CX-NSZ315
O	TUNER (RDS)	X 0862	87-A70-307-010	1A	VIB,XTAL 4.332MHZ CSA-309ST	EZSFD	CX-NSZ315
O	TUNER (RF)	C 0831	87-A12-092-080	0E	CAP,E 22-50 SMG	EZSFD	CX-NSZ315
O	TUNER (RF)	C 0831	87-A12-092-080	0E	CAP,E 22-50 SMG	EZSFD	CX-NSZ310
O	TUNER (RF)	C 0831	87-A12-092-080	0E	CAP,E 22-50 SMG	KSFD	CX-NSZ310
O	TUNER (RF)	C 0842	87-012-286-080	0E	C-CAP,U 0.01-25 K B	EZSFD	CX-NSZ315
O	TUNER (RF)	C 0842	87-012-286-080	0E	C-CAP,U 0.01-25 K B	EZSFD	CX-NSZ310
O	TUNER (RF)	C 0842	87-012-286-080	0E	C-CAP,U 0.01-25 K B	KSFD	CX-NSZ310
O	TUNER (RF)	C 0842	87-012-286-080	0E	C-CAP,U 0.01-25 K B	LHSFD	CX-NSZ310
O	TUNER (RF)	C 0842	87-012-286-080	0E	C-CAP,U 0.01-25 K B	LHSFD	CX-NSZ510
O	TUNER (RF)	C 0842	87-012-286-080	0E	C-CAP,U 0.01-25 K B	USM	CX-SNAJ310
X	TUNER (RF)	C 0843	88-108-000-080	0E	C-JUMPER,U	EZSFD	CX-NSZ315
O	TUNER (RF)	C 0843	88-108-000-080	0E	C-JUMPER,U	EZSFD	CX-NSZ310
O	TUNER (RF)	C 0843	88-108-000-080	0E	C-JUMPER,U	KSFD	CX-NSZ310
O	TUNER (RF)	C 0843	88-108-000-080	0E	C-JUMPER,U	LHSFD	CX-NSZ310
O	TUNER (RF)	C 0843	88-108-000-080	0E	C-JUMPER,U	LHSFD	CX-NSZ310
O	TUNER (RF)	C 0843	88-108-000-080	0E	C-JUMPER,U	USM	CX-SNAJ310
O	TUNER (RF)	C 0844	87-012-286-080	0E	C-CAP,U 0.01-25 K B	EZSFD	CX-NSZ315
O	TUNER (RF)	C 0844	87-012-286-080	0E	C-CAP,U 0.01-25 K B	EZSFD	CX-NSZ310
O	TUNER (RF)	C 0844	87-012-286-080	0E	C-CAP,U 0.01-25 K B	KSFD	CX-NSZ310
O	TUNER (RF)	C 0844	87-012-286-080	0E	C-CAP,U 0.01-25 K B	LHSFD	CX-NSZ310
O	TUNER (RF)	C 0844	87-012-286-080	0E	C-CAP,U 0.01-25 K B	LHSFD	CX-NSZ510
O	TUNER (RF)	C 0844	87-012-286-080	0E	C-CAP,U 0.01-25 K B	USM	CX-SNAJ310
X	TUNER (RF)	C 0845	88-108-000-080	0E	C-JUMPER,U	EZSFD	CX-NSZ315
O	TUNER (RF)	C 0845	88-108-000-080	0E	C-JUMPER,U	EZSFD	CX-NSZ310
O	TUNER (RF)	C 0845	88-108-000-080	0E	C-JUMPER,U	KSFD	CX-NSZ310
O	TUNER (RF)	C 0845	88-108-000-080	0E	C-JUMPER,U	LHSFD	CX-NSZ310
O	TUNER (RF)	C 0845	88-108-000-080	0E	C-JUMPER,U	LHSFD	CX-NSZ510
X	TUNER (RF)	C 0846	88-108-000-080	0E	C-JUMPER,U	USM	CX-SNAJ310
O	TUNER (RF)	C 0846	88-108-000-080	0E	C-JUMPER,U	EZSFD	CX-NSZ315
O	TUNER (RF)	C 0846	88-108-000-080	0E	C-JUMPER,U	EZSFD	CX-NSZ310
O	TUNER (RF)	C 0846	88-108-000-080	0E	C-JUMPER,U	KSFD	CX-NSZ310
O	TUNER (RF)	C 0846	88-108-000-080	0E	C-JUMPER,U	LHSFD	CX-NSZ310
O	TUNER (RF)	C 0846	88-108-000-080	0E	C-JUMPER,U	LHSFD	CX-NSZ510
O	TUNER (RF)	C 0846	88-108-000-080	0E	C-JUMPER,U	USM	CX-SNAJ310
X	TUNER (RF)	C 0847	88-108-000-080	0E	C-JUMPER,U	EZSFD	CX-NSZ315
O	TUNER (RF)	C 0847	88-108-000-080	0E	C-JUMPER,U	EZSFD	CX-NSZ310
O	TUNER (RF)	C 0847	88-108-000-080	0E	C-JUMPER,U	KSFD	CX-NSZ310
O	TUNER (RF)	C 0847	88-108-000-080	0E	C-JUMPER,U	LHSFD	CX-NSZ310
O	TUNER (RF)	C 0847	88-108-000-080	0E	C-JUMPER,U	LHSFD	CX-NSZ510
O	TUNER (RF)	C 0847	88-108-000-080	0E	C-JUMPER,U	USM	CX-SNAJ310
X	TUNER (RF)	C 0848	88-108-000-080	0E	C-JUMPER,U	EZSFD	CX-NSZ315
O	TUNER (RF)	C 0848	88-108-000-080	0E	C-JUMPER,U	EZSFD	CX-NSZ310
O	TUNER (RF)	C 0848	88-108-000-080	0E	C-JUMPER,U	KSFD	CX-NSZ310
O	TUNER (RF)	C 0848	88-108-000-080	0E	C-JUMPER,U	LHSFD	CX-NSZ310
O	TUNER (RF)	C 0848	88-108-000-080	0E	C-JUMPER,U	LHSFD	CX-NSZ510
O	TUNER (RF)	C 0848	88-108-000-080	0E	C-JUMPER,U	USM	CX-SNAJ310
O	TUNER (RF)	C 0849	88-108-000-080	0E	C-JUMPER,U	EZSFD	CX-NSZ315
O	TUNER (RF)	C 0849	88-108-000-080	0E	C-JUMPER,U	EZSFD	CX-NSZ310
O	TUNER (RF)	C 0849	88-108-000-080	0E	C-JUMPER,U	EZSFD	CX-NSZ310
O	TUNER (RF)	C 0849	88-108-000-080	0E	C-JUMPER,U	KSFD	CX-NSZ310
O	TUNER (RF)	C 0849	88-108-000-080	0E	C-JUMPER,U	LHSFD	CX-NSZ310
O	TUNER (RF)	C 0849	88-108-000-080	0E	C-JUMPER,U	LHSFD	CX-NSZ510
O	TUNER (RF)	C 0849	88-108-000-080	0E	C-JUMPER,U	USM	CX-SNAJ310
O	TUNER (RF)	C 0850	87-A12-071-080	0E	CAP,E 47-25 SMG	EZSFD	CX-NSZ315
O	TUNER (RF)	C 0850	87-A12-071-080	0E	CAP,E 47-25 SMG	EZSFD	CX-NSZ310
O	TUNER (RF)	C 0850	87-A12-071-080	0E	CAP,E 47-25 SMG	KSFD	CX-NSZ310
O	TUNER (RF)	C 0850	87-A12-071-080	0E	CAP,E 47-25 SMG	LHSFD	CX-NSZ310
O	TUNER (RF)	C 0850	87-A12-071-080	0E	CAP,E 47-25 SMG	LHSFD	CX-NSZ510
O	TUNER (RF)	C 0850	87-A12-071-080	0E	CAP,E 47-25 SMG	USM	CX-SNAJ310
O	TUNER (RF)	C 0851	87-012-286-080	0E	C-CAP,U 0.01-25 K B	EZSFD	CX-NSZ315
O	TUNER (RF)	C 0851	87-012-286-080	0E	C-CAP,U 0.01-25 K B	EZSFD	CX-NSZ310
O	TUNER (RF)	C 0851	87-012-286-080	0E	C-CAP,U 0.01-25 K B	KSFD	CX-NSZ310
O	TUNER (RF)	C 0851	87-012-286-080	0E	C-CAP,U 0.01-25 K B	LHSFD	CX-NSZ310
O	TUNER (RF)	C 0851	87-012-286-080	0E	C-CAP,U 0.01-25 K B	LHSFD	CX-NSZ510
O	TUNER (RF)	C 0851	87-012-286-080	0E	C-CAP,U 0.01-25 K B	USM	CX-SNAJ310



# PARTS LIST

! =  $\Delta$  SAFTY PARTS  
 C = Components marked

All components used on this model at the production line are shown in this service manual.

However, please note that not all components will be available as spare parts for after-sales service.

Components marked S and O are designated as spare parts for service and will be stocked at the spare parts centers.

Components marked X and R are not designated as spare parts for after sales service, and will not be stocked at the spare parts centers.

K NO. = Only use japanese.

! C	UNIT NAME	REF NO.	PARTS CODE	K NO.	DESCRIPTION	SUFFIX	MODEL NAME
0 O	TUNER (RF)	C 0963	87-015-785-080	0E	C-CAP, 0.1-25 Z F C3216	LHSFD	CX-NSZ510
0 O	TUNER (RF)	C 0963	87-015-785-080	0E	C-CAP, 0.1-25 Z F C3216	USM	CX-SNAJ310
0 O	TUNER (RF)	CF 0831	87-008-261-010	1A	FLTR,CF SFE10.7MA5	LHSFD	CX-NSZ310
0 O	TUNER (RF)	CF 0831	87-008-261-010	1A	FLTR,CF SFE10.7MA5	LHSFD	CX-NSZ510
0 O	TUNER (RF)	CF 0831	87-008-261-010	1A	FLTR,CF SFE10.7MA5	USM	CX-SNAJ310
0 O	TUNER (RF)	CF 0831	87-008-423-010	1A	FLTR,CF SFE10.7MS3G-A	EZSFD	CX-NSZ315
0 O	TUNER (RF)	CF 0831	87-008-423-010	1A	FLTR,CF SFE10.7MS3G-A	EZSFD	CX-NSZ310
0 O	TUNER (RF)	CF 0831	87-008-423-010	1A	FLTR,CF SFE10.7MS3G-A	KSFD	CX-NSZ310
0 O	TUNER (RF)	CF 0832	82-785-747-010	1A	CF,MS2 GHY,R	EZSFD	CX-NSZ315
0 O	TUNER (RF)	CF 0832	82-785-747-010	1A	CF,MS2 GHY,R	EZSFD	CX-NSZ310
0 O	TUNER (RF)	CF 0832	82-785-747-010	1A	CF,MS2 GHY,R	KSFD	CX-NSZ310
0 O	TUNER (RF)	CF 0832	87-008-261-010	1A	FLTR,CF SFE10.7MA5	LHSFD	CX-NSZ310
0 O	TUNER (RF)	CF 0832	87-008-261-010	1A	FLTR,CF SFE10.7MA5	LHSFD	CX-NSZ310
0 O	TUNER (RF)	CF 0832	87-008-261-010	1A	FLTR,CF SFE10.7MA5	USM	CX-SNAJ310
0 S	TUNER (RF)	D 0942	87-A40-270-080	0E	C-DIODE,MC2838	EZSFD	CX-NSZ315
0 S	TUNER (RF)	D 0942	87-A40-270-080	0E	C-DIODE,MC2838	EZSFD	CX-NSZ310
0 S	TUNER (RF)	D 0942	87-A40-270-080	0E	C-DIODE,MC2838	KSFD	CX-NSZ310
0 S	TUNER (RF)	D 0944	87-A40-291-080	0E	DIODE,1N4148M (CPT)	EZSFD	CX-NSZ315
0 S	TUNER (RF)	D 0944	87-A40-291-080	0E	DIODE,1N4148M (CPT)	EZSFD	CX-NSZ310
0 S	TUNER (RF)	D 0944	87-A40-291-080	0E	DIODE,1N4148M (CPT)	KSFD	CX-NSZ310
0 X	TUNER (RF)	D 0944	88-100-000-010	0E	PLATING-JW, 0.58 SN95	LHSFD	CX-NSZ310
0 X	TUNER (RF)	D 0944	88-100-000-010	0E	PLATING-JW, 0.58 SN95	LHSFD	CX-NSZ510
0 X	TUNER (RF)	D 0944	88-100-000-010	0E	PLATING-JW, 0.58 SN95	USM	CX-SNAJ310
0 O	TUNER (RF)	FFE0831	A8-6ZA-19H-030	--	6ZA-1 FEMENM	EZSFD	CX-NSZ310
0 O	TUNER (RF)	FFE0831	A8-6ZA-19H-030	--	6ZA-1 FEMENM	KSFD	CX-NSZ310
0 O	TUNER (RF)	FFE0831	A8-6ZA-19M-030	--	6ZA-1 YFEMENM	EZSFD	CX-NSZ315
0 O	TUNER (RF)	J 0831	87-A60-202-010	1A	TERMINAL,ANT 4P MSP-154V-02	LHSFD	CX-NSZ310
0 O	TUNER (RF)	J 0831	87-A60-202-010	1A	TERMINAL,ANT 4P MSP-154V-02	LHSFD	CX-NSZ310
0 O	TUNER (RF)	J 0831	87-A60-202-010	1A	TERMINAL,ANT 4P MSP-154V-02	USM	CX-SNAJ310
0 O	TUNER (RF)	J 0832	87-A60-403-010	1A	TERMINAL,ANT PAL 2P HSP-312V05	EZSFD	CX-NSZ315
0 O	TUNER (RF)	J 0832	87-A60-403-010	1A	TERMINAL,ANT PAL 2P HSP-312V05	EZSFD	CX-NSZ310
0 O	TUNER (RF)	J 0832	87-A60-403-010	1A	TERMINAL,ANT PAL 2P HSP-312V05	KSFD	CX-NSZ310
0 X	TUNER (RF)	JR 0834	88-108-000-080	0E	C-JUMPER,U	EZSFD	CX-NSZ315
0 X	TUNER (RF)	JR 0834	88-108-000-080	0E	C-JUMPER,U	EZSFD	CX-NSZ310
0 X	TUNER (RF)	JR 0834	88-108-000-080	0E	C-JUMPER,U	KSFD	CX-NSZ310
0 X	TUNER (RF)	JR 0834	88-108-000-080	0E	C-JUMPER,U	LHSFD	CX-NSZ310
0 X	TUNER (RF)	JR 0834	88-108-000-080	0E	C-JUMPER,U	LHSFD	CX-NSZ510
0 X	TUNER (RF)	JR 0834	88-108-000-080	0E	C-JUMPER,U	USM	CX-SNAJ310
0 X	TUNER (RF)	JR 0835	88-108-000-080	0E	C-JUMPER,U	EZSFD	CX-NSZ315
0 X	TUNER (RF)	JR 0835	88-108-000-080	0E	C-JUMPER,U	EZSFD	CX-NSZ310
0 X	TUNER (RF)	JR 0835	88-108-000-080	0E	C-JUMPER,U	KSFD	CX-NSZ310
0 X	TUNER (RF)	JR 0835	88-108-561-080	0E	C-RES,U 560-1/16W J	LHSFD	CX-NSZ310
0 X	TUNER (RF)	JR 0835	88-108-561-080	0E	C-RES,U 560-1/16W J	LHSFD	CX-NSZ510
0 X	TUNER (RF)	JR 0835	88-108-561-080	0E	C-RES,U 560-1/16W J	USM	CX-SNAJ310
0 X	TUNER (RF)	JR 0851	88-129-000-080	0E	C-JUMPER,3216	EZSFD	CX-NSZ315
0 X	TUNER (RF)	JR 0851	88-129-000-080	0E	C-JUMPER,3216	EZSFD	CX-NSZ310
0 X	TUNER (RF)	JR 0851	88-129-000-080	0E	C-JUMPER,3216	KSFD	CX-NSZ310
0 X	TUNER (RF)	JR 0851	88-129-000-080	0E	C-JUMPER,3216	LHSFD	CX-NSZ310
0 X	TUNER (RF)	JR 0851	88-129-000-080	0E	C-JUMPER,3216	LHSFD	CX-NSZ510
0 X	TUNER (RF)	JR 0851	88-129-000-080	0E	C-JUMPER,3216	USM	CX-SNAJ310
0 X	TUNER (RF)	JR 0921	88-108-000-080	0E	C-JUMPER,U	LHSFD	CX-NSZ310
0 X	TUNER (RF)	JR 0921	88-108-000-080	0E	C-JUMPER,U	LHSFD	CX-NSZ510
0 X	TUNER (RF)	JR 0921	88-108-000-080	0E	C-JUMPER,U	USM	CX-SNAJ310
0 X	TUNER (RF)	JR 0942	88-108-000-080	0E	C-JUMPER,U	EZSFD	CX-NSZ315
0 X	TUNER (RF)	JR 0942	88-108-000-080	0E	C-JUMPER,U	EZSFD	CX-NSZ310
0 X	TUNER (RF)	JR 0942	88-108-000-080	0E	C-JUMPER,U	KSFD	CX-NSZ310
0 X	TUNER (RF)	JR 0943	88-108-000-080	0E	C-JUMPER,U	LHSFD	CX-NSZ310
0 X	TUNER (RF)	JR 0943	88-108-000-080	0E	C-JUMPER,U	LHSFD	CX-NSZ510
0 X	TUNER (RF)	JR 0943	88-108-000-080	0E	C-JUMPER,U	USM	CX-SNAJ310
0 X	TUNER (RF)	JR 0944	88-108-000-080	0E	C-JUMPER,U	EZSFD	CX-NSZ315
0 X	TUNER (RF)	JR 0944	88-108-000-080	0E	C-JUMPER,U	EZSFD	CX-NSZ310
0 X	TUNER (RF)	JR 0944	88-108-000-080	0E	C-JUMPER,U	KSFD	CX-NSZ310
0 X	TUNER (RF)	JR 0946	88-108-000-080	0E	C-JUMPER,U	LHSFD	CX-NSZ310
0 X	TUNER (RF)	JR 0946	88-108-000-080	0E	C-JUMPER,U	LHSFD	CX-NSZ510
0 X	TUNER (RF)	JR 0946	88-108-000-080	0E	C-JUMPER,U	USM	CX-SNAJ310
0 X	TUNER (RF)	JR 0947	88-108-000-080	0E	C-JUMPER,U	EZSFD	CX-NSZ315
0 X	TUNER (RF)	JR 0947	88-108-000-080	0E	C-JUMPER,U	EZSFD	CX-NSZ310
0 X	TUNER (RF)	JR 0947	88-108-000-080	0E	C-JUMPER,U	KSFD	CX-NSZ310
0 X	TUNER (RF)	JR 0948	88-108-000-080	0E	C-JUMPER,U	EZSFD	CX-NSZ315
0 X	TUNER (RF)	JR 0948	88-108-000-080	0E	C-JUMPER,U	EZSFD	CX-NSZ310

# PARTS LIST

! =  $\Delta$  SAFTY PARTS  
 C = Components marked

All components used on this model at the production line are shown in this service manual.

However, please note that not all components will be available as spare parts for after-sales service.

Components marked S and O are designated as spare parts for service and will be stocked at the spare parts centers.

Components marked X and R are not designated as spare parts for after sales service, and will not be stocked at the spare parts centers.

K NO. = Only use japanese.

! C	UNIT NAME	REF NO.	PARTS CODE	K NO.	DESCRIPTION	SUFFIX	MODEL NAME
0 X	TUNER (RF)	JR 0948	88-108-000-080	0E	C-JUMPER, U	KSFD	CX-NSZ310
X	TUNER (RF)	JR 0950	88-108-000-080	0E	C-JUMPER, U	EZSFD	CX-NSZ315
0 X	TUNER (RF)	JR 0950	88-108-000-080	0E	C-JUMPER, U	EZSFD	CX-NSZ310
0 X	TUNER (RF)	JR 0950	88-108-000-080	0E	C-JUMPER, U	KSFD	CX-NSZ310
0 X	TUNER (RF)	JR 0951	88-108-000-080	0E	C-JUMPER, U	LHSFD	CX-NSZ310
0 X	TUNER (RF)	JR 0951	88-108-000-080	0E	C-JUMPER, U	LHSFD	CX-NSZ510
0 X	TUNER (RF)	JR 0951	88-108-000-080	0E	C-JUMPER, U	USM	CX-SNAJ310
X	TUNER (RF)	JR 0952	88-108-000-080	0E	C-JUMPER, U	EZSFD	CX-NSZ315
0 X	TUNER (RF)	JR 0952	88-108-000-080	0E	C-JUMPER, U	EZSFD	CX-NSZ310
0 X	TUNER (RF)	JR 0952	88-108-000-080	0E	C-JUMPER, U	KSFD	CX-NSZ310
0 X	TUNER (RF)	JR 0952	88-108-000-080	0E	C-JUMPER, U	LHSFD	CX-NSZ310
0 X	TUNER (RF)	JR 0952	88-108-000-080	0E	C-JUMPER, U	LHSFD	CX-NSZ510
0 X	TUNER (RF)	JR 0952	88-108-000-080	0E	C-JUMPER, U	USM	CX-SNAJ310
0 X	TUNER (RF)	JR 0954	88-108-000-080	0E	C-JUMPER, U	LHSFD	CX-NSZ310
0 X	TUNER (RF)	JR 0954	88-108-000-080	0E	C-JUMPER, U	LHSFD	CX-NSZ510
0 X	TUNER (RF)	JR 0954	88-108-000-080	0E	C-JUMPER, U	USM	CX-SNAJ310
0 X	TUNER (RF)	JR 0955	88-108-000-080	0E	C-JUMPER, U	LHSFD	CX-NSZ310
0 X	TUNER (RF)	JR 0955	88-108-000-080	0E	C-JUMPER, U	LHSFD	CX-NSZ510
0 X	TUNER (RF)	JR 0955	88-108-000-080	0E	C-JUMPER, U	USM	CX-SNAJ310
X	TUNER (RF)	JR 0956	88-108-000-080	0E	C-JUMPER, U	EZSFD	CX-NSZ315
0 X	TUNER (RF)	JR 0956	88-108-000-080	0E	C-JUMPER, U	EZSFD	CX-NSZ310
0 X	TUNER (RF)	JR 0956	88-108-000-080	0E	C-JUMPER, U	KSFD	CX-NSZ310
X	TUNER (RF)	JR 0958	88-108-000-080	0E	C-JUMPER, U	EZSFD	CX-NSZ315
0 X	TUNER (RF)	JR 0958	88-108-000-080	0E	C-JUMPER, U	EZSFD	CX-NSZ310
0 X	TUNER (RF)	JR 0958	88-108-000-080	0E	C-JUMPER, U	KSFD	CX-NSZ310
X	TUNER (RF)	JR 0962	88-108-000-080	0E	C-JUMPER, U	EZSFD	CX-NSZ315
0 X	TUNER (RF)	JR 0962	88-108-000-080	0E	C-JUMPER, U	EZSFD	CX-NSZ310
0 X	TUNER (RF)	JR 0962	88-108-000-080	0E	C-JUMPER, U	KSFD	CX-NSZ310
X	TUNER (RF)	JR 0963	88-108-000-080	0E	C-JUMPER, U	EZSFD	CX-NSZ315
0 X	TUNER (RF)	JR 0963	88-108-000-080	0E	C-JUMPER, U	EZSFD	CX-NSZ310
0 X	TUNER (RF)	JR 0963	88-108-000-080	0E	C-JUMPER, U	KSFD	CX-NSZ310
0 X	TUNER (RF)	JR 0964	88-129-000-080	0E	C-JUMPER, 3216	LHSFD	CX-NSZ310
0 X	TUNER (RF)	JR 0964	88-129-000-080	0E	C-JUMPER, 3216	LHSFD	CX-NSZ510
0 X	TUNER (RF)	JR 0964	88-129-000-080	0E	C-JUMPER, 3216	USM	CX-SNAJ310
O	TUNER (RF)	L 0832	87-005-847-080	0E	COIL, 2.2UH K CECS	EZSFD	CX-NSZ315
0 O	TUNER (RF)	L 0832	87-005-847-080	0E	COIL, 2.2UH K CECS	EZSFD	CX-NSZ310
0 O	TUNER (RF)	L 0832	87-005-847-080	0E	COIL, 2.2UH K CECS	KSFD	CX-NSZ310
0 O	TUNER (RF)	L 0832	87-005-847-080	0E	COIL, 2.2UH K CECS	LHSFD	CX-NSZ310
0 O	TUNER (RF)	L 0832	87-005-847-080	0E	COIL, 2.2UH K CECS	LHSFD	CX-NSZ510
0 O	TUNER (RF)	L 0832	87-005-847-080	0E	COIL, 2.2UH K CECS	USM	CX-SNAJ310
O	TUNER (RF)	L 0941	87-A50-020-010	0E	COIL, ANT LW (COI) 252KHZ	EZSFD	CX-NSZ315
0 O	TUNER (RF)	L 0941	87-A50-020-010	0E	COIL, ANT LW (COI) 252KHZ	EZSFD	CX-NSZ310
0 O	TUNER (RF)	L 0941	87-A50-020-010	0E	COIL, ANT LW (COI) 252KHZ	KSFD	CX-NSZ310
O	TUNER (RF)	L 0942	87-A50-019-010	0E	COIL, OSC LW (COI) 856KHZ	EZSFD	CX-NSZ315
0 O	TUNER (RF)	L 0942	87-A50-019-010	0E	COIL, OSC LW (COI) 856KHZ	EZSFD	CX-NSZ310
0 O	TUNER (RF)	L 0942	87-A50-019-010	0E	COIL, OSC LW (COI) 856KHZ	KSFD	CX-NSZ310
0 O	TUNER (RF)	L 0951	8A-NF8-667-010	1C	COIL, AM PACK 4 (TOK)	LHSFD	CX-NSZ310
0 O	TUNER (RF)	L 0951	8A-NF8-667-010	1C	COIL, AM PACK 4 (TOK)	LHSFD	CX-NSZ510
0 O	TUNER (RF)	L 0951	8A-NF8-667-010	1C	COIL, AM PACK 4 (TOK)	USM	CX-SNAJ310
O	TUNER (RF)	L 0951	8A-NF8-668-010	1C	COIL, AM PACK 2 (TOK)	EZSFD	CX-NSZ315
0 O	TUNER (RF)	L 0951	8A-NF8-668-010	1C	COIL, AM PACK 2 (TOK)	EZSFD	CX-NSZ310
0 O	TUNER (RF)	L 0951	8A-NF8-668-010	1C	COIL, AM PACK 2 (TOK)	KSFD	CX-NSZ310
S	TUNER (RF)	Q 0835	89-327-143-080	0E	C-TR, 2SC27140	EZSFD	CX-NSZ315
0 S	TUNER (RF)	Q 0835	89-327-143-080	0E	C-TR, 2SC27140	EZSFD	CX-NSZ310
0 S	TUNER (RF)	Q 0835	89-327-143-080	0E	C-TR, 2SC27140	KSFD	CX-NSZ310
0 S	TUNER (RF)	Q 0835	89-327-143-080	0E	C-TR, 2SC27140	LHSFD	CX-NSZ310
0 S	TUNER (RF)	Q 0835	89-327-143-080	0E	C-TR, 2SC27140	LHSFD	CX-NSZ510
0 S	TUNER (RF)	Q 0835	89-327-143-080	0E	C-TR, 2SC27140	USM	CX-SNAJ310
S	TUNER (RF)	Q 0836	87-A30-489-080	0E	C-TR, KRA107S	EZSFD	CX-NSZ315
0 S	TUNER (RF)	Q 0836	87-A30-489-080	0E	C-TR, KRA107S	EZSFD	CX-NSZ310
0 S	TUNER (RF)	Q 0836	87-A30-489-080	0E	C-TR, KRA107S	KSFD	CX-NSZ310
0 S	TUNER (RF)	Q 0836	87-A30-489-080	0E	C-TR, KRA107S	LHSFD	CX-NSZ510
S	TUNER (RF)	Q 0948	87-A30-086-040	0E	C-TR, CSD1306E	USM	CX-SNAJ310
0 S	TUNER (RF)	Q 0948	87-A30-086-040	0E	C-TR, CSD1306E	EZSFD	CX-NSZ315
0 S	TUNER (RF)	Q 0948	87-A30-086-040	0E	C-TR, CSD1306E	EZSFD	CX-NSZ310
0 S	TUNER (RF)	Q 0948	87-A30-086-040	0E	C-TR, CSD1306E	KSFD	CX-NSZ310
S	TUNER (RF)	Q 0951	87-A30-484-080	0E	C-TR, KRA102S	EZSFD	CX-NSZ315
0 S	TUNER (RF)	Q 0951	87-A30-484-080	0E	C-TR, KRA102S	EZSFD	CX-NSZ310
0 S	TUNER (RF)	Q 0951	87-A30-484-080	0E	C-TR, KRA102S	KSFD	CX-NSZ310

# PARTS LIST

! =  $\Delta$  SAFTY PARTS  
 C = Components marked

All components used on this model at the production line are shown in this service manual.

However, please note that not all components will be available as spare parts for after-sales service.

Components marked S and O are designated as spare parts for service and will be stocked at the spare parts centers.

Components marked X and R are not designated as spare parts for after sales service, and will not be stocked at the spare parts centers.

K NO. = Only use japanese.

! C	UNIT NAME	REF NO.	PARTS CODE	K NO.	DESCRIPTION	SUFFIX	MODEL NAME
	S TUNER (RF)	Q	0952 87-A30-086-040	0E	C-TR,CSD1306E	EZSFD	CX-NSZ315
0	S TUNER (RF)	Q	0952 87-A30-086-040	0E	C-TR,CSD1306E	EZSFD	CX-NSZ310
0	S TUNER (RF)	Q	0952 87-A30-086-040	0E	C-TR,CSD1306E	KSFD	CX-NSZ310
	S TUNER (RF)	Q	0953 89-503-602-080	1A	C-FET,2SK360E	EZSFD	CX-NSZ315
0	S TUNER (RF)	Q	0953 89-503-602-080	1A	C-FET,2SK360E	EZSFD	CX-NSZ310
0	S TUNER (RF)	Q	0953 89-503-602-080	1A	C-FET,2SK360E	KSFD	CX-NSZ310
X	TUNER (RF)	R	0832 88-108-391-080	0E	C-RES,U 390-1/16W J	EZSFD	CX-NSZ315
0	X TUNER (RF)	R	0832 88-108-391-080	0E	C-RES,U 390-1/16W J	EZSFD	CX-NSZ310
0	X TUNER (RF)	R	0832 88-108-391-080	0E	C-RES,U 390-1/16W J	KSFD	CX-NSZ310
0	X TUNER (RF)	R	0832 88-108-391-080	0E	C-RES,U 390-1/16W J	LHSFD	CX-NSZ310
0	X TUNER (RF)	R	0832 88-108-391-080	0E	C-RES,U 390-1/16W J	LHSFD	CX-NSZ510
0	X TUNER (RF)	R	0832 88-108-391-080	0E	C-RES,U 390-1/16W J	USM	CX-SNAJ310
X	TUNER (RF)	R	0836 88-108-102-080	0E	C-RES,U 1K-1/16W J	EZSFD	CX-NSZ315
0	X TUNER (RF)	R	0836 88-108-102-080	0E	C-RES,U 1K-1/16W J	EZSFD	CX-NSZ310
0	X TUNER (RF)	R	0836 88-108-102-080	0E	C-RES,U 1K-1/16W J	KSFD	CX-NSZ310
0	X TUNER (RF)	R	0836 88-108-102-080	0E	C-RES,U 1K-1/16W J	LHSFD	CX-NSZ310
0	X TUNER (RF)	R	0836 88-108-102-080	0E	C-RES,U 1K-1/16W J	LHSFD	CX-NSZ510
0	X TUNER (RF)	R	0836 88-108-102-080	0E	C-RES,U 1K-1/16W J	USM	CX-SNAJ310
X	TUNER (RF)	R	0839 88-108-151-080	0E	C-RES,U 150-1/16W J	EZSFD	CX-NSZ315
0	X TUNER (RF)	R	0839 88-108-151-080	0E	C-RES,U 150-1/16W J	EZSFD	CX-NSZ310
0	X TUNER (RF)	R	0839 88-108-151-080	0E	C-RES,U 150-1/16W J	KSFD	CX-NSZ310
X	TUNER (RF)	R	0840 88-108-221-080	0E	C-RES,U 220-1/16W J	EZSFD	CX-NSZ315
0	X TUNER (RF)	R	0840 88-108-221-080	0E	C-RES,U 220-1/16W J	EZSFD	CX-NSZ310
0	X TUNER (RF)	R	0840 88-108-221-080	0E	C-RES,U 220-1/16W J	KSFD	CX-NSZ310
0	X TUNER (RF)	R	0840 88-108-221-080	0E	C-RES,U 220-1/16W J	LHSFD	CX-NSZ310
0	X TUNER (RF)	R	0840 88-108-221-080	0E	C-RES,U 220-1/16W J	LHSFD	CX-NSZ510
0	X TUNER (RF)	R	0840 88-108-221-080	0E	C-RES,U 220-1/16W J	USM	CX-SNAJ310
X	TUNER (RF)	R	0850 88-108-103-080	0E	C-RES,U 10K-1/16W J	EZSFD	CX-NSZ315
0	X TUNER (RF)	R	0850 88-108-103-080	0E	C-RES,U 10K-1/16W J	EZSFD	CX-NSZ310
0	X TUNER (RF)	R	0850 88-108-103-080	0E	C-RES,U 10K-1/16W J	KSFD	CX-NSZ310
0	X TUNER (RF)	R	0850 88-108-103-080	0E	C-RES,U 10K-1/16W J	LHSFD	CX-NSZ310
0	X TUNER (RF)	R	0850 88-108-103-080	0E	C-RES,U 10K-1/16W J	LHSFD	CX-NSZ510
0	X TUNER (RF)	R	0850 88-108-103-080	0E	C-RES,U 10K-1/16W J	USM	CX-SNAJ310
0	X TUNER (RF)	R	0851 88-108-000-080	0E	C-JUMPER,U	LHSFD	CX-NSZ310
0	X TUNER (RF)	R	0851 88-108-000-080	0E	C-JUMPER,U	LHSFD	CX-NSZ510
0	X TUNER (RF)	R	0851 88-108-000-080	0E	C-JUMPER,U	USM	CX-SNAJ310
X	TUNER (RF)	R	0851 88-108-470-080	0E	C-RES,U 47-1/16W J	EZSFD	CX-NSZ315
0	X TUNER (RF)	R	0851 88-108-470-080	0E	C-RES,U 47-1/16W J	EZSFD	CX-NSZ310
0	X TUNER (RF)	R	0851 88-108-470-080	0E	C-RES,U 47-1/16W J	KSFD	CX-NSZ310
0	X TUNER (RF)	R	0852 88-108-103-080	0E	C-RES,U 10K-1/16W J	LHSFD	CX-NSZ310
0	X TUNER (RF)	R	0852 88-108-103-080	0E	C-RES,U 10K-1/16W J	LHSFD	CX-NSZ510
X	TUNER (RF)	R	0853 88-108-102-080	0E	C-RES,U 1K-1/16W J	EZSFD	CX-NSZ315
0	X TUNER (RF)	R	0853 88-108-102-080	0E	C-RES,U 1K-1/16W J	EZSFD	CX-NSZ310
0	X TUNER (RF)	R	0853 88-108-102-080	0E	C-RES,U 1K-1/16W J	KSFD	CX-NSZ310
0	X TUNER (RF)	R	0853 88-108-102-080	0E	C-RES,U 1K-1/16W J	LHSFD	CX-NSZ310
0	X TUNER (RF)	R	0853 88-108-102-080	0E	C-RES,U 1K-1/16W J	LHSFD	CX-NSZ510
0	X TUNER (RF)	R	0853 88-108-102-080	0E	C-RES,U 1K-1/16W J	USM	CX-SNAJ310
X	TUNER (RF)	R	0854 88-108-331-080	0E	C-RES,U 330-1/16W J	EZSFD	CX-NSZ315
0	X TUNER (RF)	R	0854 88-108-331-080	0E	C-RES,U 330-1/16W J	EZSFD	CX-NSZ310
0	X TUNER (RF)	R	0854 88-108-331-080	0E	C-RES,U 330-1/16W J	KSFD	CX-NSZ310
0	X TUNER (RF)	R	0854 88-108-331-080	0E	C-RES,U 330-1/16W J	LHSFD	CX-NSZ310
0	X TUNER (RF)	R	0854 88-108-331-080	0E	C-RES,U 330-1/16W J	LHSFD	CX-NSZ510
X	TUNER (RF)	R	0855 88-108-183-080	0E	C-RES,U 18K-1/16W J	EZSFD	CX-NSZ315
0	X TUNER (RF)	R	0855 88-108-183-080	0E	C-RES,U 18K-1/16W J	EZSFD	CX-NSZ310
0	X TUNER (RF)	R	0855 88-108-183-080	0E	C-RES,U 18K-1/16W J	KSFD	CX-NSZ310
0	X TUNER (RF)	R	0855 88-108-183-080	0E	C-RES,U 18K-1/16W J	LHSFD	CX-NSZ310
0	X TUNER (RF)	R	0855 88-108-183-080	0E	C-RES,U 18K-1/16W J	LHSFD	CX-NSZ510
0	X TUNER (RF)	R	0855 88-108-183-080	0E	C-RES,U 18K-1/16W J	USM	CX-SNAJ310
X	TUNER (RF)	R	0856 88-108-103-080	0E	C-RES,U 10K-1/16W J	EZSFD	CX-NSZ315
0	X TUNER (RF)	R	0856 88-108-103-080	0E	C-RES,U 10K-1/16W J	EZSFD	CX-NSZ310
0	X TUNER (RF)	R	0856 88-108-103-080	0E	C-RES,U 10K-1/16W J	KSFD	CX-NSZ310
0	X TUNER (RF)	R	0856 88-108-103-080	0E	C-RES,U 10K-1/16W J	LHSFD	CX-NSZ310
0	X TUNER (RF)	R	0856 88-108-103-080	0E	C-RES,U 10K-1/16W J	LHSFD	CX-NSZ510
0	X TUNER (RF)	R	0856 88-108-103-080	0E	C-RES,U 10K-1/16W J	USM	CX-SNAJ310
X	TUNER (RF)	R	0857 88-108-181-080	0E	C-RES,U 180-1/16W J	EZSFD	CX-NSZ315
0	X TUNER (RF)	R	0857 88-108-181-080	0E	C-RES,U 180-1/16W J	EZSFD	CX-NSZ310
0	X TUNER (RF)	R	0857 88-108-181-080	0E	C-RES,U 180-1/16W J	KSFD	CX-NSZ310
0	X TUNER (RF)	R	0857 88-108-181-080	0E	C-RES,U 180-1/16W J	LHSFD	CX-NSZ310



# PARTS LIST

! =  $\Delta$  SAFTY PARTS  
 C = Components marked

All components used on this model at the production line are shown in this service manual.

However, please note that not all components will be available as spare parts for after-sales service.

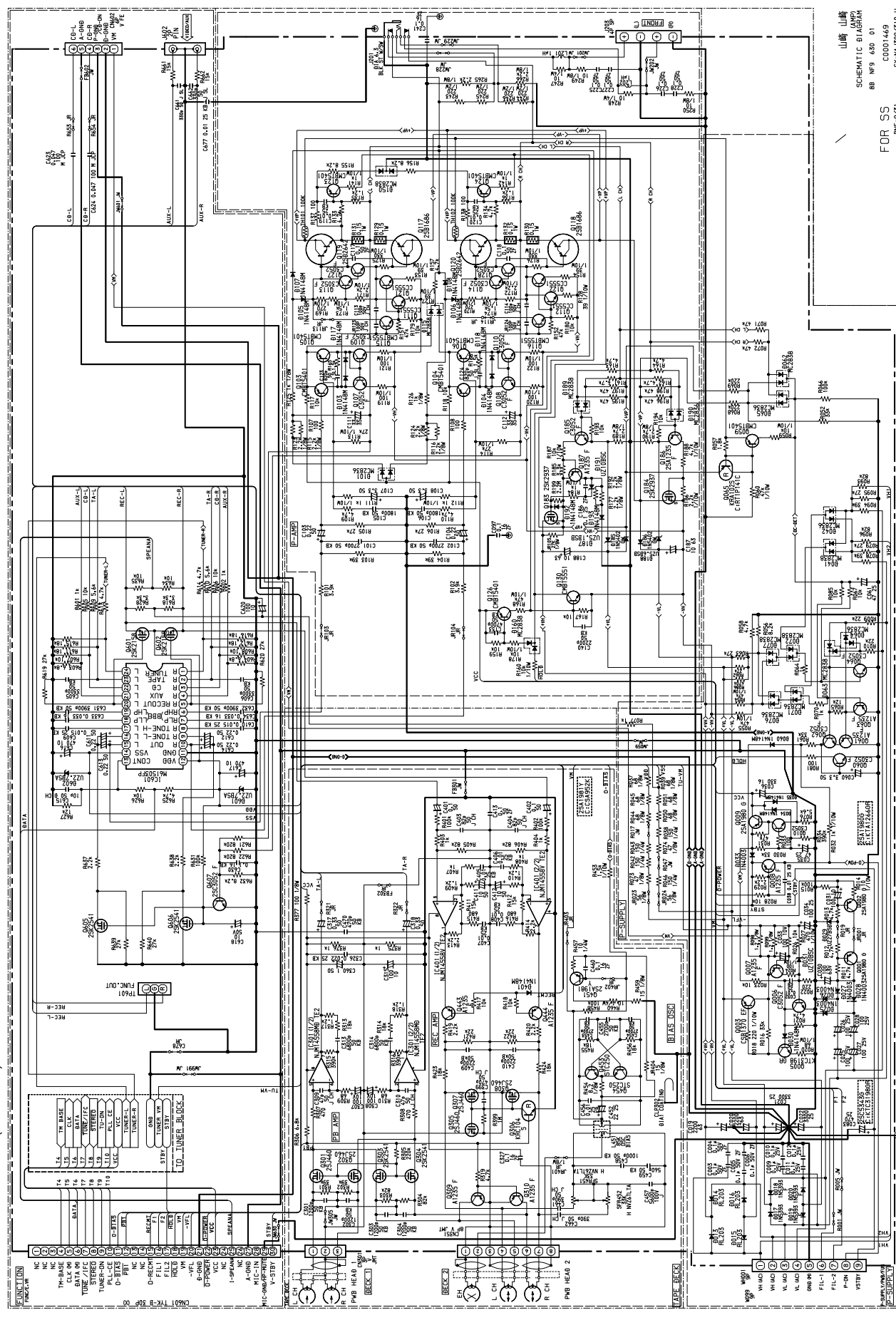
Components marked S and O are designated as spare parts for service and will be stocked at the spare parts centers.

Components marked X and R are not designated as spare parts for after sales service, and will not be stocked at the spare parts centers.

K NO. = Only use japanese.

! C	UNIT NAME	REF NO.	PARTS CODE	K NO.	DESCRIPTION	SUFFIX	MODEL NAME
0 X	TUNER (RF)	R 0857	88-108-181-080	0E	C-RES,U 180-1/16W J	LHSFD	CX-NSZ510
0 X	TUNER (RF)	R 0857	88-108-181-080	0E	C-RES,U 180-1/16W J	USM	CX-SNAJ310
0 X	TUNER (RF)	R 0858	88-108-101-080	0E	C-RES,U 100-1/16W J	LHSFD	CX-NSZ310
0 X	TUNER (RF)	R 0858	88-108-101-080	0E	C-RES,U 100-1/16W J	LHSFD	CX-NSZ510
0 X	TUNER (RF)	R 0858	88-108-101-080	0E	C-RES,U 100-1/16W J	USM	CX-SNAJ310
X	TUNER (RF)	R 0858	88-108-271-080	0E	C-RES,U 270-1/16W J	EZSFD	CX-NSZ315
0 X	TUNER (RF)	R 0858	88-108-271-080	0E	C-RES,U 270-1/16W J	EZSFD	CX-NSZ310
0 X	TUNER (RF)	R 0858	88-108-271-080	0E	C-RES,U 270-1/16W J	KSFD	CX-NSZ310
X	TUNER (RF)	R 0860	88-108-101-080	0E	C-RES,U 100-1/16W J	XZSFD	CX-NSZ315
0 X	TUNER (RF)	R 0860	88-108-101-080	0E	C-RES,U 100-1/16W J	EZSFD	CX-NSZ310
0 X	TUNER (RF)	R 0860	88-108-101-080	0E	C-RES,U 100-1/16W J	KSFD	CX-NSZ310
0 X	TUNER (RF)	R 0860	88-108-101-080	0E	C-RES,U 100-1/16W J	LHSFD	CX-NSZ310
0 X	TUNER (RF)	R 0860	88-108-101-080	0E	C-RES,U 100-1/16W J	LHSFD	CX-NSZ510
0 X	TUNER (RF)	R 0860	88-108-101-080	0E	C-RES,U 100-1/16W J	USM	CX-SNAJ310
X	TUNER (RF)	R 0944	88-108-101-080	0E	C-RES,U 100-1/16W J	EZSFD	CX-NSZ315
0 X	TUNER (RF)	R 0944	88-108-101-080	0E	C-RES,U 100-1/16W J	EZSFD	CX-NSZ310
0 X	TUNER (RF)	R 0944	88-108-101-080	0E	C-RES,U 100-1/16W J	KSFD	CX-NSZ310
X	TUNER (RF)	R 0945	88-108-104-080	0E	C-RES,U 100K-1/16W J	EZSFD	CX-NSZ315
0 X	TUNER (RF)	R 0945	88-108-104-080	0E	C-RES,U 100K-1/16W J	EZSFD	CX-NSZ310
0 X	TUNER (RF)	R 0945	88-108-104-080	0E	C-RES,U 100K-1/16W J	KSFD	CX-NSZ310
0 X	TUNER (RF)	R 0945	88-108-104-080	0E	C-RES,U 100K-1/16W J	LHSFD	CX-NSZ310
0 X	TUNER (RF)	R 0945	88-108-104-080	0E	C-RES,U 100K-1/16W J	LHSFD	CX-NSZ510
0 X	TUNER (RF)	R 0945	88-108-104-080	0E	C-RES,U 100K-1/16W J	USM	CX-SNAJ310
X	TUNER (RF)	R 0947	88-108-183-080	0E	C-RES,U 18K-1/16W J	EZSFD	CX-NSZ315
0 X	TUNER (RF)	R 0947	88-108-183-080	0E	C-RES,U 18K-1/16W J	EZSFD	CX-NSZ310
0 X	TUNER (RF)	R 0947	88-108-183-080	0E	C-RES,U 18K-1/16W J	KSFD	CX-NSZ310
X	TUNER (RF)	R 0948	88-108-472-080	0E	C-RES,U 4.7K-1/16W J	EZSFD	CX-NSZ315
0 X	TUNER (RF)	R 0948	88-108-472-080	0E	C-RES,U 4.7K-1/16W J	EZSFD	CX-NSZ310
0 X	TUNER (RF)	R 0948	88-108-472-080	0E	C-RES,U 4.7K-1/16W J	KSFD	CX-NSZ310
X	TUNER (RF)	R 0952	88-108-562-080	0E	C-RES,U 5.6K-1/16W J	EZSFD	CX-NSZ315
0 X	TUNER (RF)	R 0952	88-108-562-080	0E	C-RES,U 5.6K-1/16W J	EZSFD	CX-NSZ310
0 X	TUNER (RF)	R 0952	88-108-562-080	0E	C-RES,U 5.6K-1/16W J	KSFD	CX-NSZ310
X	TUNER (RF)	R 0954	88-108-222-080	0E	C-RES,U 2.2K-1/16W J	EZSFD	CX-NSZ315
0 X	TUNER (RF)	R 0954	88-108-222-080	0E	C-RES,U 2.2K-1/16W J	EZSFD	CX-NSZ310
0 X	TUNER (RF)	R 0954	88-108-222-080	0E	C-RES,U 2.2K-1/16W J	KSFD	CX-NSZ310
X	TUNER (RF)	R 0956	88-108-471-080	0E	C-RES,U 470-1/16W J	EZSFD	CX-NSZ315
0 X	TUNER (RF)	R 0956	88-108-471-080	0E	C-RES,U 470-1/16W J	EZSFD	CX-NSZ310
0 X	TUNER (RF)	R 0956	88-108-471-080	0E	C-RES,U 470-1/16W J	KSFD	CX-NSZ310
X	TUNER (RF)	R 0958	88-108-472-080	0E	C-RES,U 4.7K-1/16W J	EZSFD	CX-NSZ315
0 X	TUNER (RF)	R 0958	88-108-472-080	0E	C-RES,U 4.7K-1/16W J	EZSFD	CX-NSZ310
0 X	TUNER (RF)	R 0958	88-108-472-080	0E	C-RES,U 4.7K-1/16W J	KSFD	CX-NSZ310
X	TUNER (RF)	R 0959	88-108-103-080	0E	C-RES,U 10K-1/16W J	EZSFD	CX-NSZ315
0 X	TUNER (RF)	R 0959	88-108-103-080	0E	C-RES,U 10K-1/16W J	EZSFD	CX-NSZ310
0 X	TUNER (RF)	R 0959	88-108-103-080	0E	C-RES,U 10K-1/16W J	KSFD	CX-NSZ310
X	TUNER (RF)	R 0962	88-121-221-080	0E	RES,220-1/8W J	EZSFD	CX-NSZ315
0 X	TUNER (RF)	R 0962	88-121-221-080	0E	RES,220-1/8W J	EZSFD	CX-NSZ310
0 X	TUNER (RF)	R 0962	88-121-221-080	0E	RES,220-1/8W J	KSFD	CX-NSZ310
0 X	TUNER (RF)	R 0962	88-121-221-080	0E	RES,220-1/8W J	LHSFD	CX-NSZ310
0 X	TUNER (RF)	R 0962	88-121-221-080	0E	RES,220-1/8W J	LHSFD	CX-NSZ510
0 X	TUNER (RF)	R 0962	88-121-221-080	0E	RES,220-1/8W J	USM	CX-SNAJ310
0 X	TUNER (RF)	R 0963	88-108-330-080	0E	C-RES,U 33-1/16W J	LHSFD	CX-NSZ310
0 X	TUNER (RF)	R 0963	88-108-330-080	0E	C-RES,U 33-1/16W J	LHSFD	CX-NSZ510
0 X	TUNER (RF)	R 0963	88-108-330-080	0E	C-RES,U 33-1/16W J	USM	CX-SNAJ310
X	TUNER (RF)	R 0964	88-108-330-080	0E	C-RES,U 33-1/16W J	EZSFD	CX-NSZ315
0 X	TUNER (RF)	R 0964	88-108-330-080	0E	C-RES,U 33-1/16W J	EZSFD	CX-NSZ310
0 X	TUNER (RF)	R 0964	88-108-330-080	0E	C-RES,U 33-1/16W J	KSFD	CX-NSZ310
X	TUNER (RF)	R 0969	88-108-102-080	0E	C-RES,U 1K-1/16W J	EZSFD	CX-NSZ315
0 X	TUNER (RF)	R 0969	88-108-102-080	0E	C-RES,U 1K-1/16W J	EZSFD	CX-NSZ310
0 X	TUNER (RF)	R 0969	88-108-102-080	0E	C-RES,U 1K-1/16W J	KSFD	CX-NSZ310
O	TUNER (RF)	TC 0942	87-A91-774-080	0E	TRIMMER, PLY 30P 6.8X5.4 CDYL	EZSFD	CX-NSZ315
0 O	TUNER (RF)	TC 0942	87-A91-774-080	0E	TRIMMER, PLY 30P 6.8X5.4 CDYL	EZSFD	CX-NSZ310
0 O	TUNER (RF)	TC 0942	87-A91-774-080	0E	TRIMMER, PLY 30P 6.8X5.4 CDYL	KSFD	CX-NSZ310

SCHEMATIC DIAGRAM - 1 (U: MAIN) <1/2>

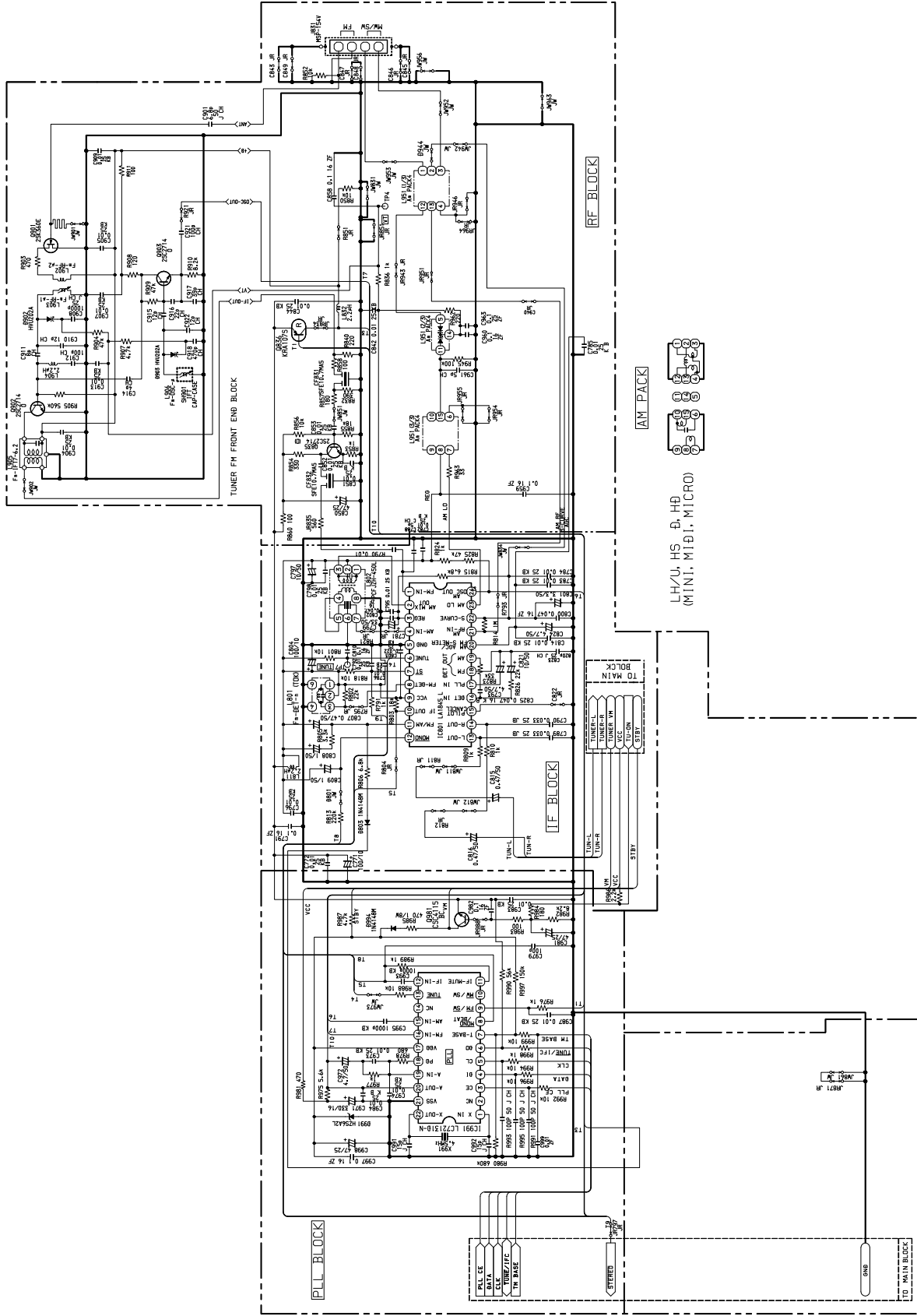


山崎 山崎  
 SCHEMATIC DIAGRAM  
 88 169 638 01  
 C0001469  
 CX-M4500210 U  
 20 NOV 2000

FOR SS  
 BNF-921

SN-TMP 13004 05.01.2001 18:54:13 B-BNF-9MAIN-U P1

SCHEMATIC DIAGRAM - 2 (U : MAIN) <2/2>



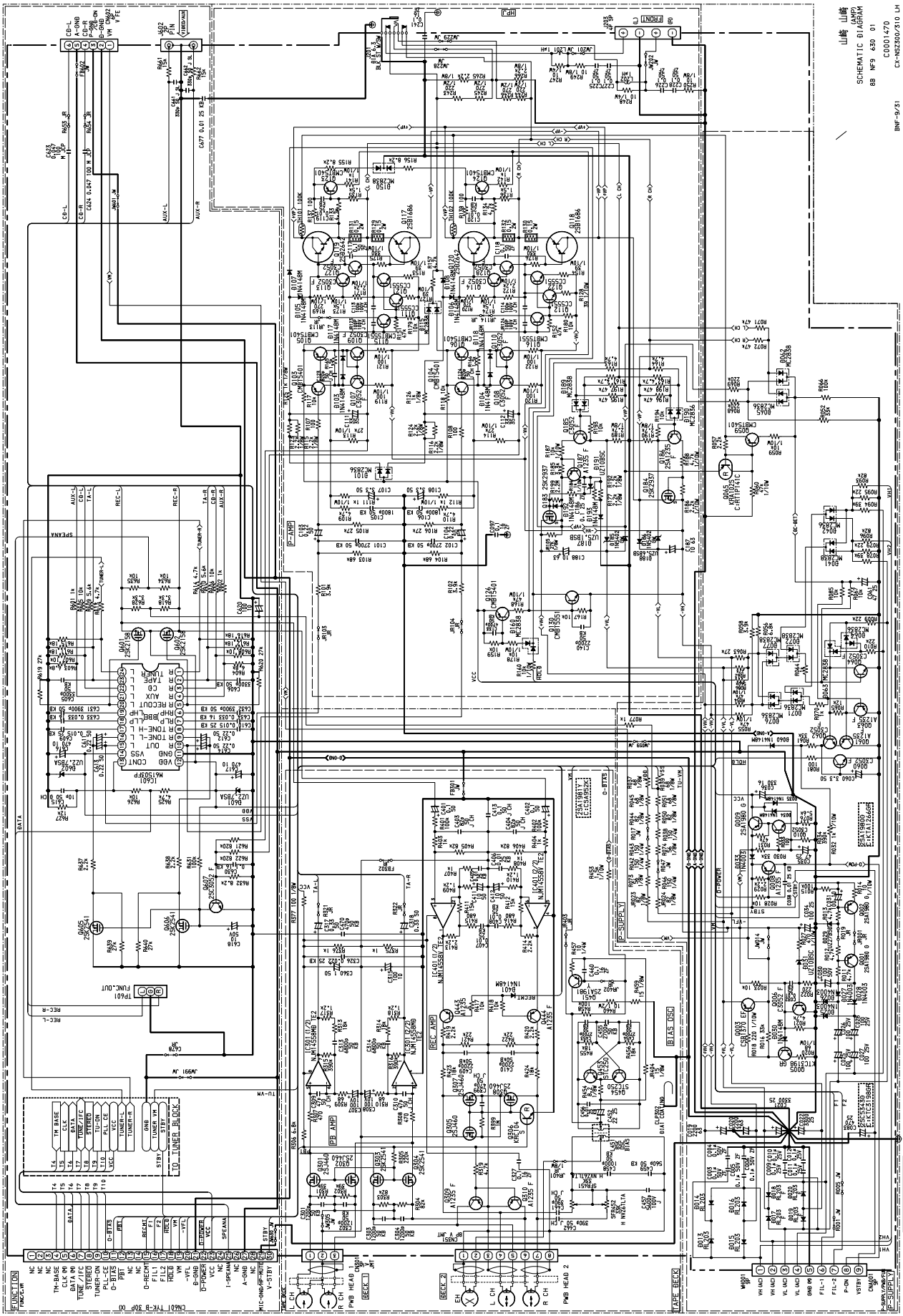
SCHEMATIC 01 (MAIN)  
 8B MS9 650 01  
 C0001470  
 CA-100004210 U  
 20 NOV 2000

BNF-9/51

B-BNF-SHAIN-U (P2)

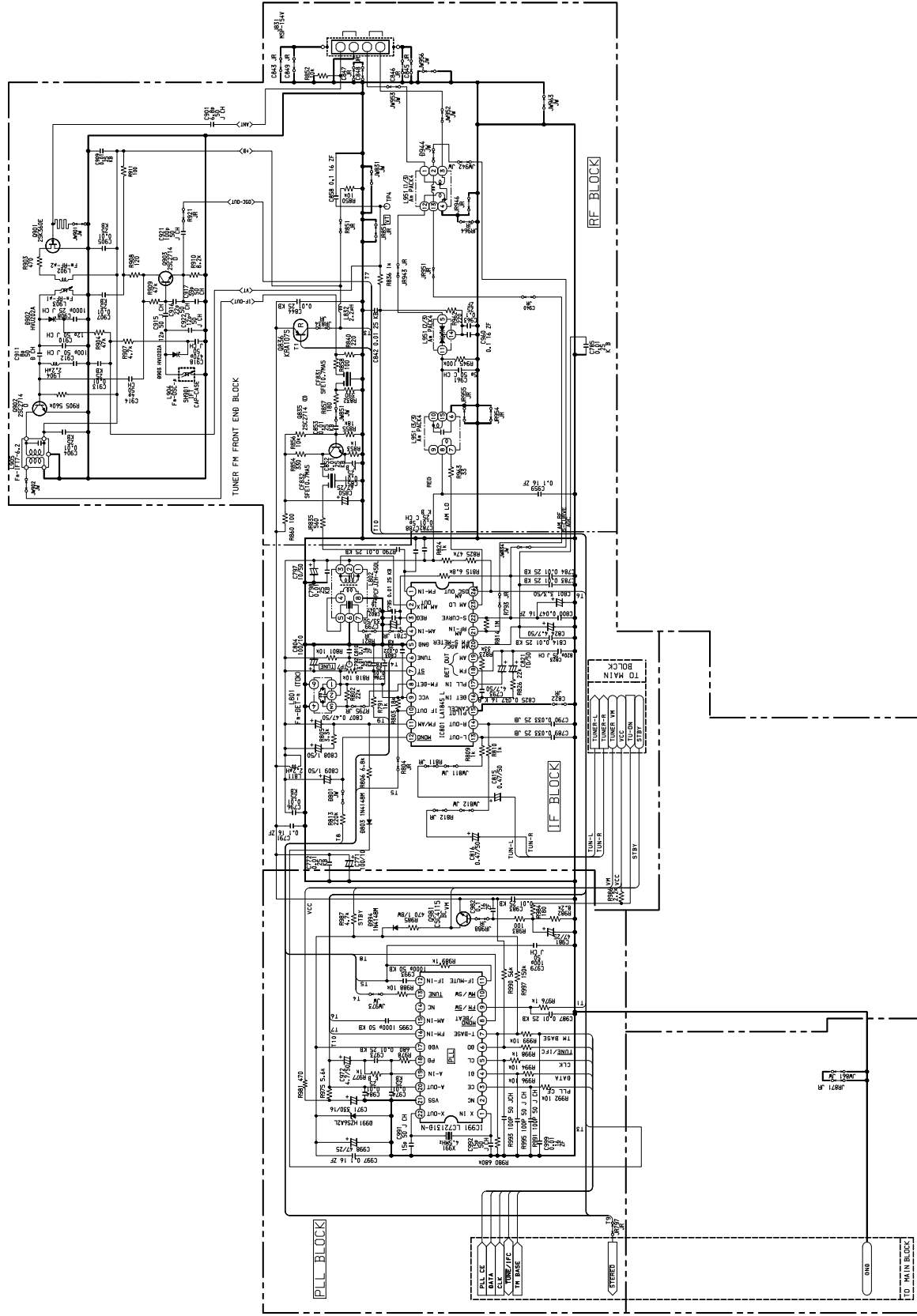
SM-TMP 13004 05.01.2001 18:55:27 B-BNF-SHAIN-U P2

SCHEMATIC DIAGRAM - 3 (LH : MAIN) <1/2>



山崎 山崎  
SCHEMATIC DIAGRAM  
88 WFS 430 01  
C0001470  
BNF-9/21  
CX-N32300/310 LH  
05 OCT 2000

SCHEMATIC DIAGRAM - 4 (LH : MAIN) <2/2>

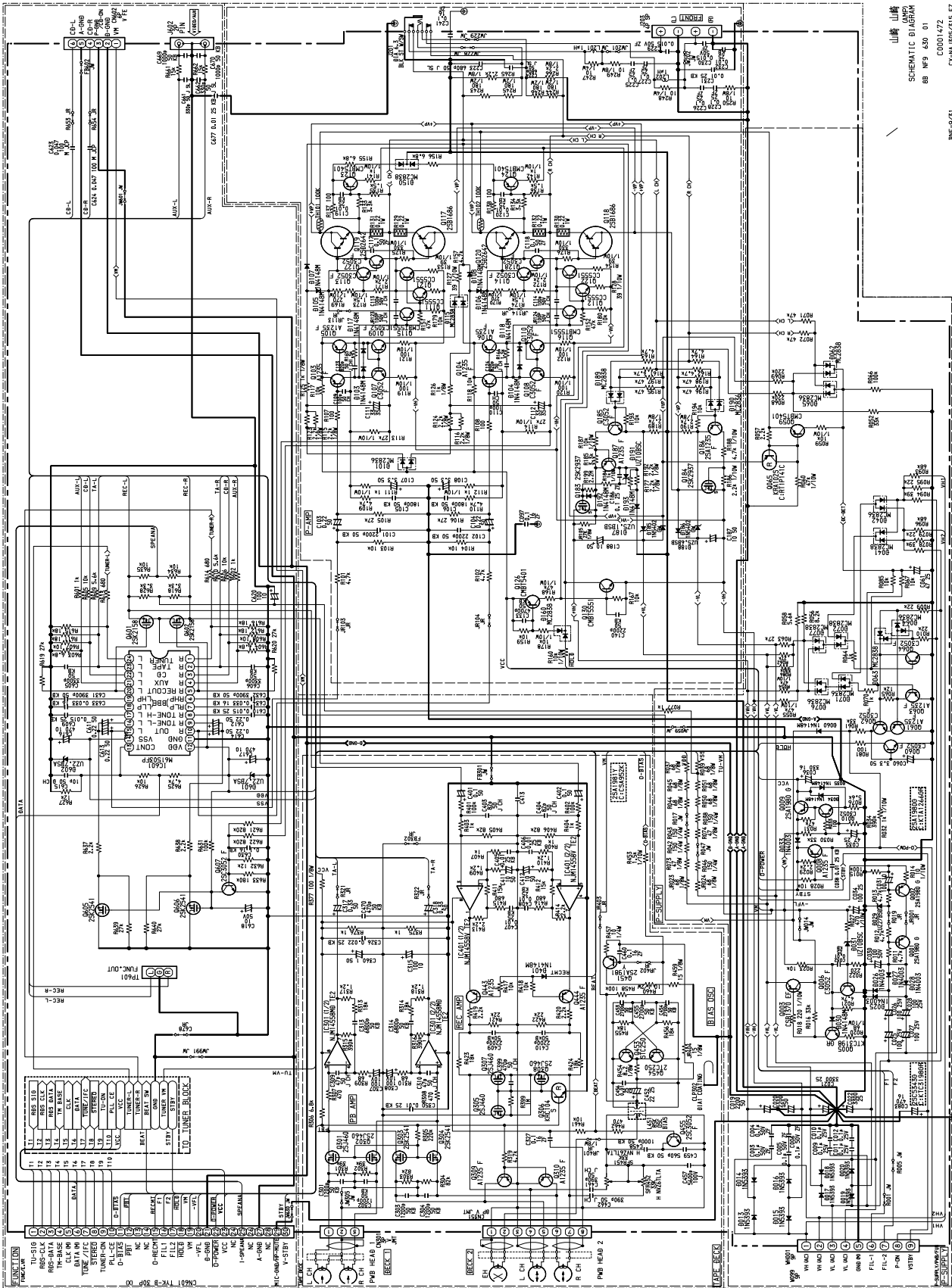


SCHEMATIC DIAGRAM  
 88 MSF 430 01  
 C0001479  
 CA-MS300/210 LH  
 24 NOV 2000

BNF-9/21

SM-TMP 13001 02.12.2000 14:18:16 B-BNF-9MAIN-LH.P2

SCHEMATIC DIAGRAM - 5 (315EZ : MAIN) <1/2>

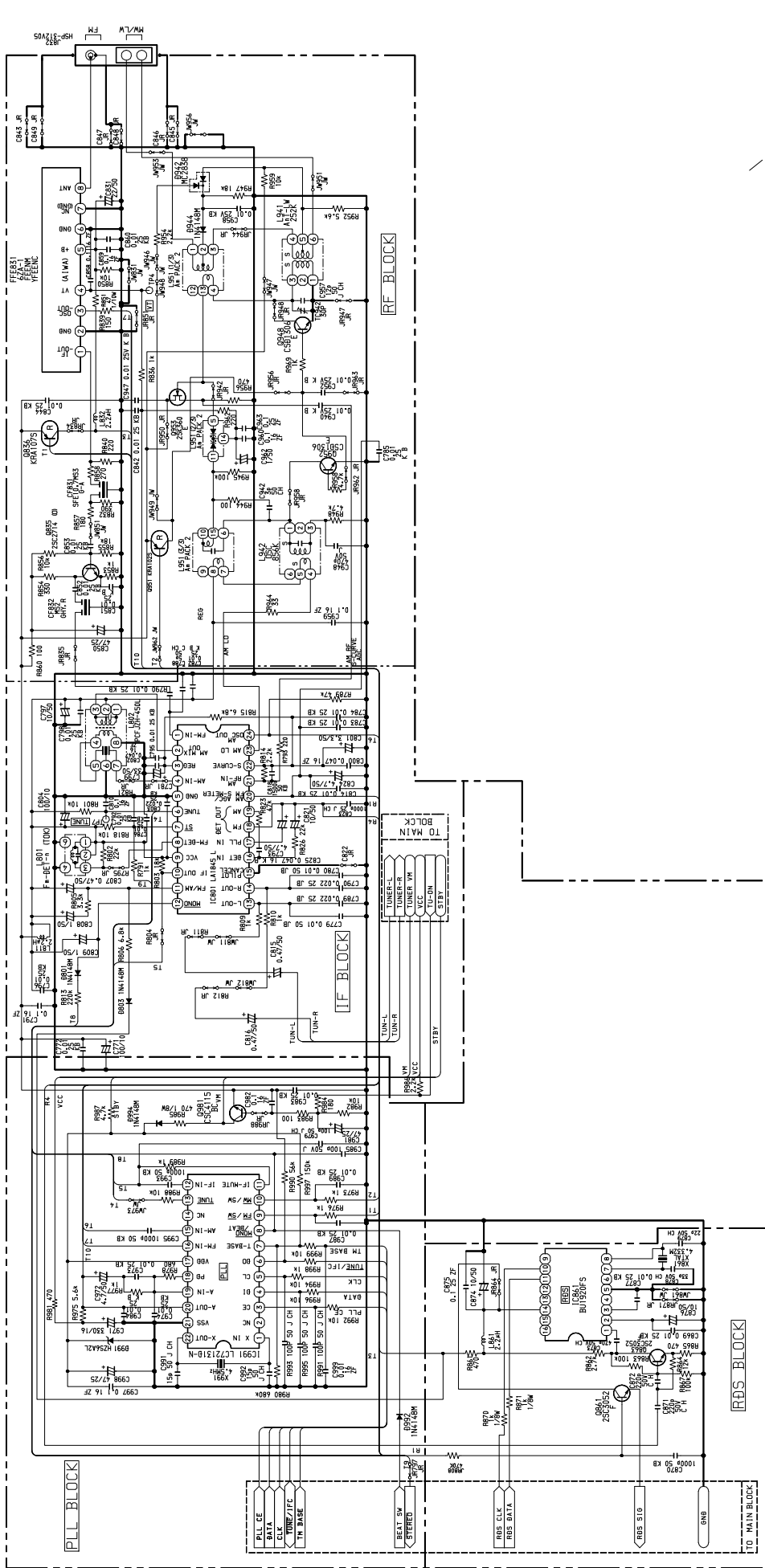


山崎 山崎  
SCHEMATIC DIAGRAM  
88 W3 630 01  
C0001472  
CX-M88315 E2  
05 OCT 2000

BNF-9/31

SN-TMP 13004 05.01.2001 19:04:41 B-BNF-9MAIN-EZR P1

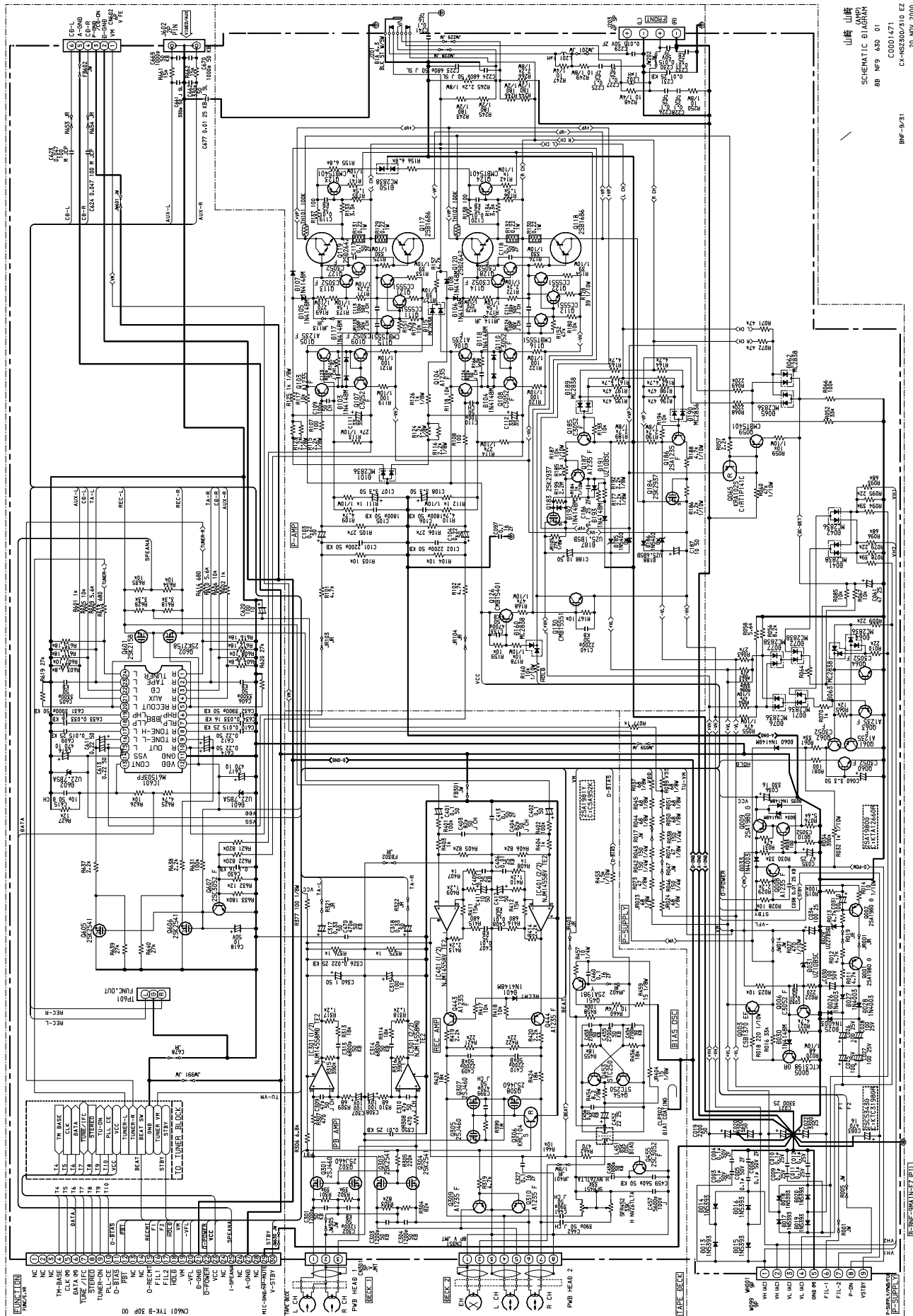
SCHEMATIC DIAGRAM - 6 (315EZ : MAIN) <2/2>



SCHEMATIC DIAGRAM  
 BB N9 630 01  
 C0001461  
 CX-NAJBS/315 EZ  
 24 NOV 2000

BNF-9/31  
 BNF-SHATAI-EZR (P2)

SCHEMATIC DIAGRAM - 7 (310EZ.K : MAIN) <1/2>



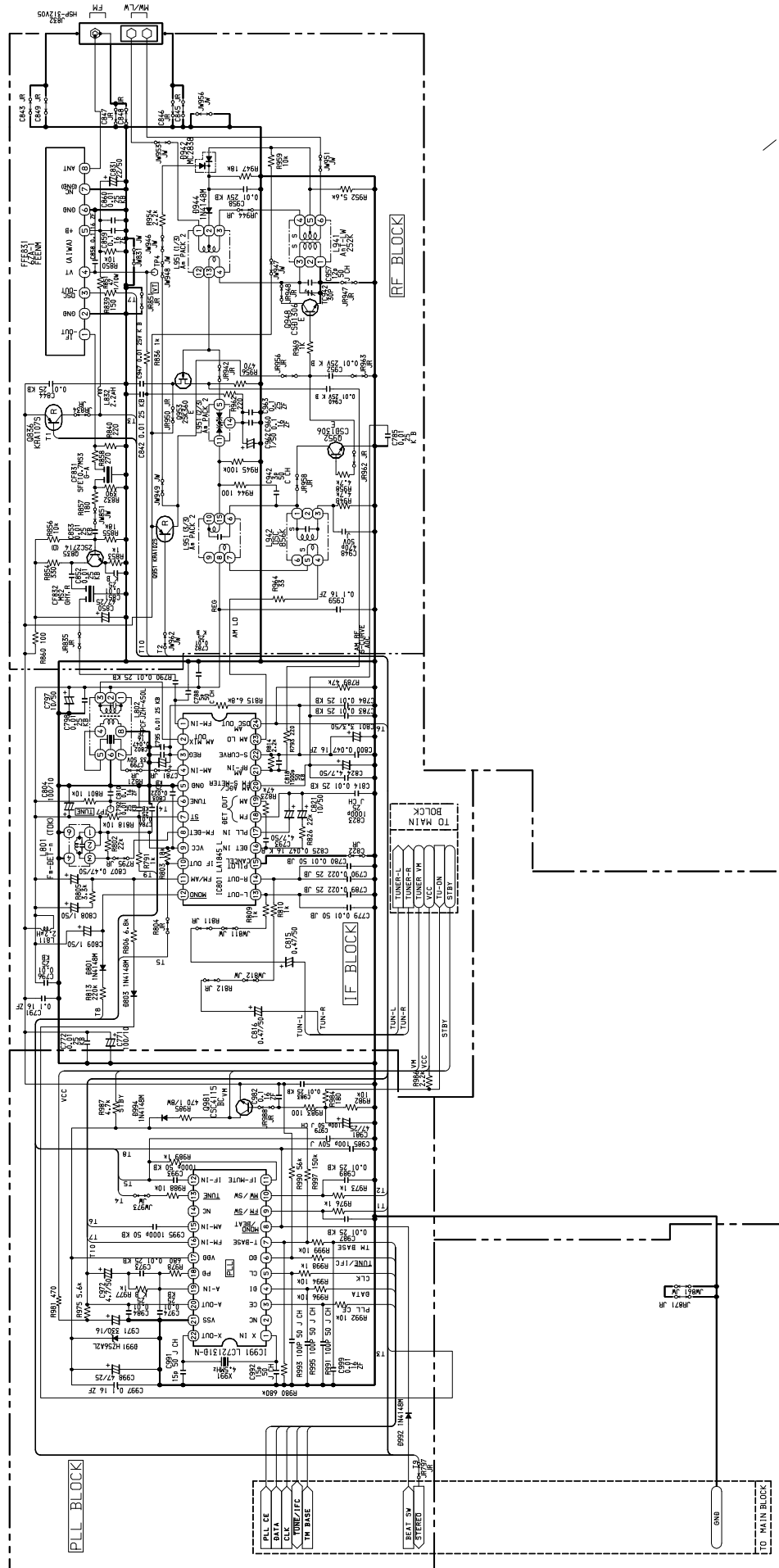
山崎 山崎  
SCHEMATIC DIAGRAM  
88 W3 630 01  
CX-HS26D/210 E2  
C0001471  
20 NOV 2000

BWF-9/21

REF: 310EZ.K (PT)



SCHEMATIC DIAGRAM - 8 (310EZ,K : MAIN) <2/2>

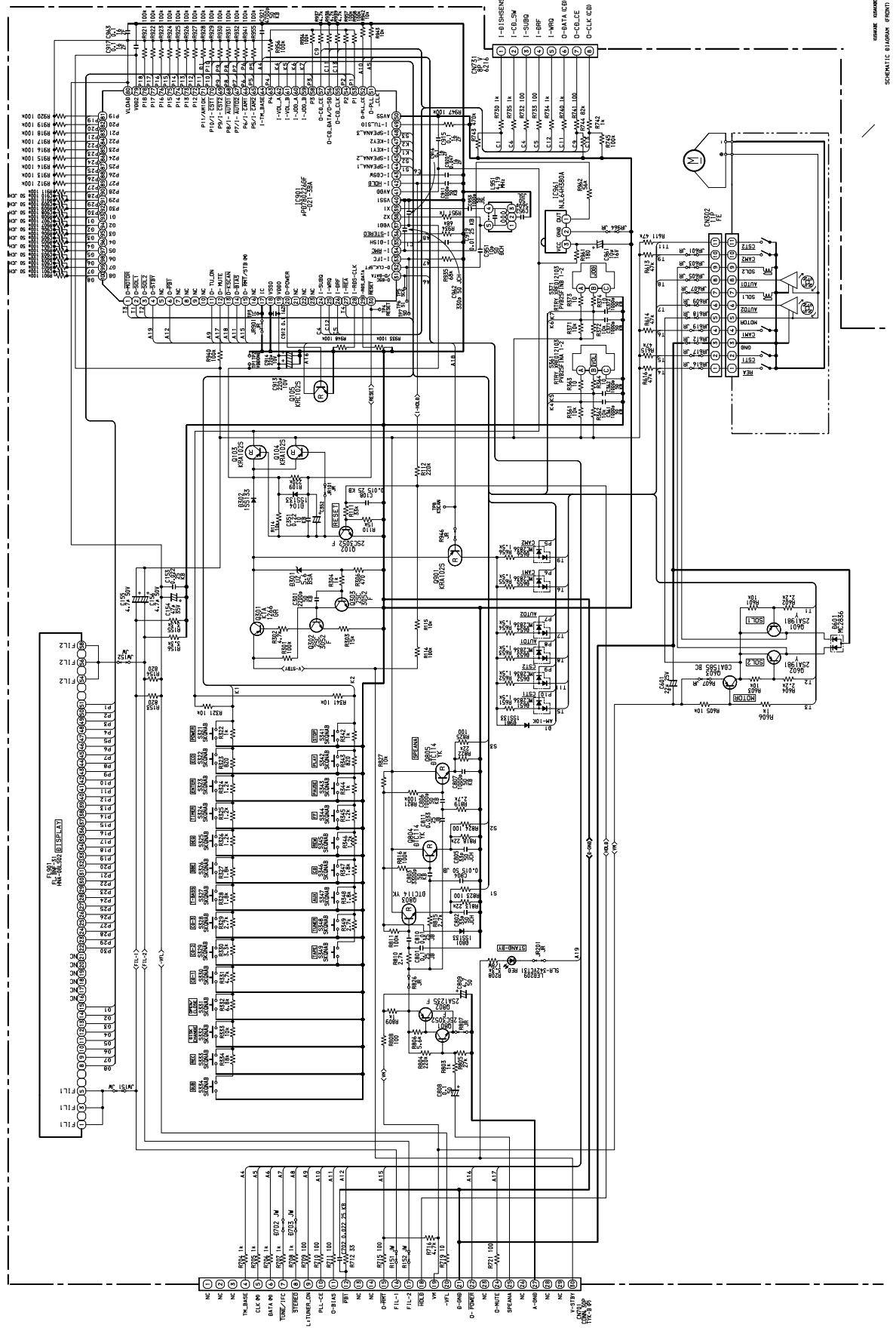


SCHEMATIC DIAGRAM  
 8B NF9 430 01  
 C0001480  
 CX-92300/310 EZ  
 27 NOV 2000

BWF-9/51

[1-BWF-SMALLINEZ (E2)]

SCHEMATIC DIAGRAM – 9 (U : FRONT)

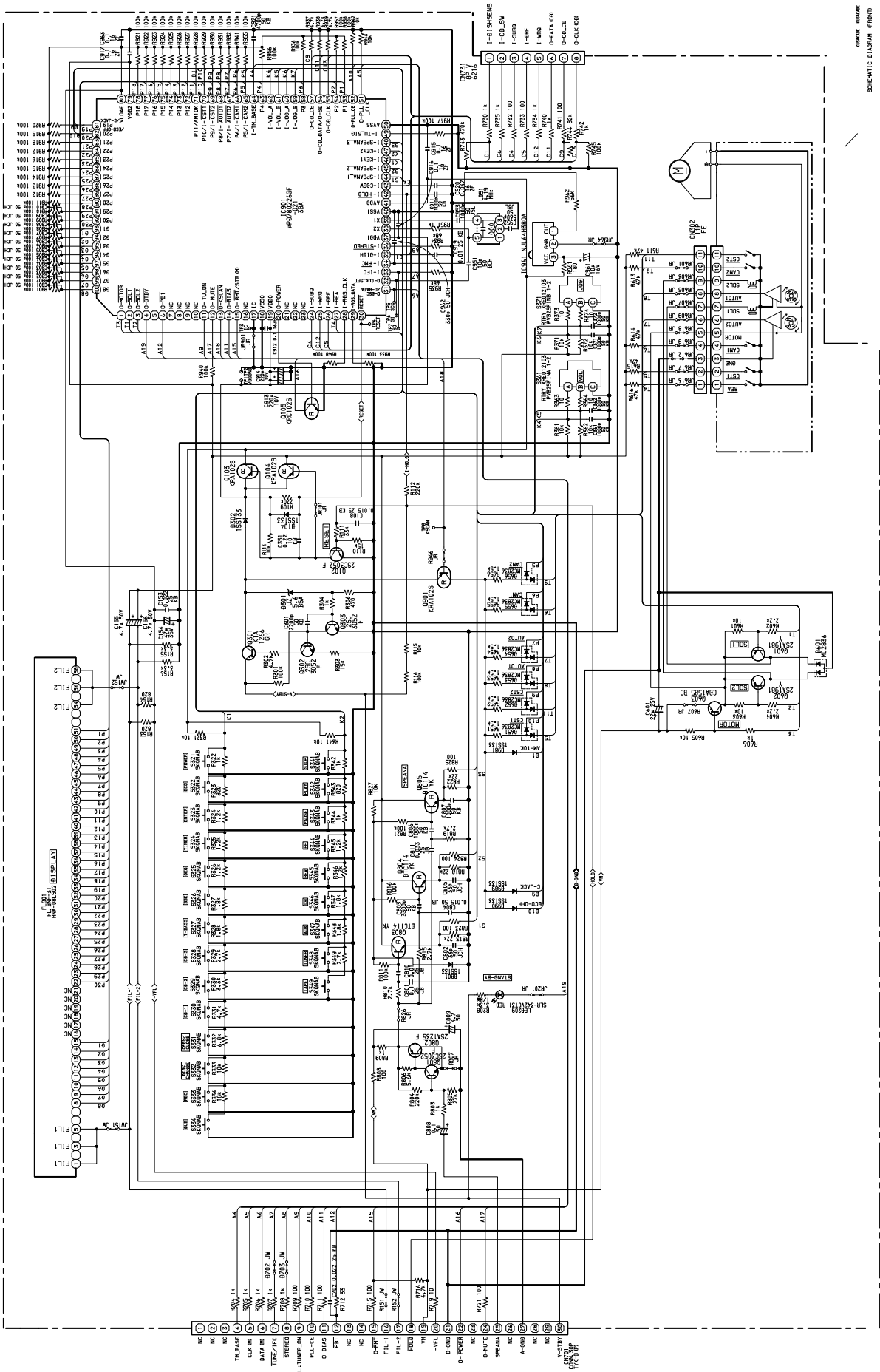


SCHEMATIC DIAGRAM (FRONT)  
88 NF Y 6.21 01  
C001659  
CX-NAJ510 U  
18 REC.2000

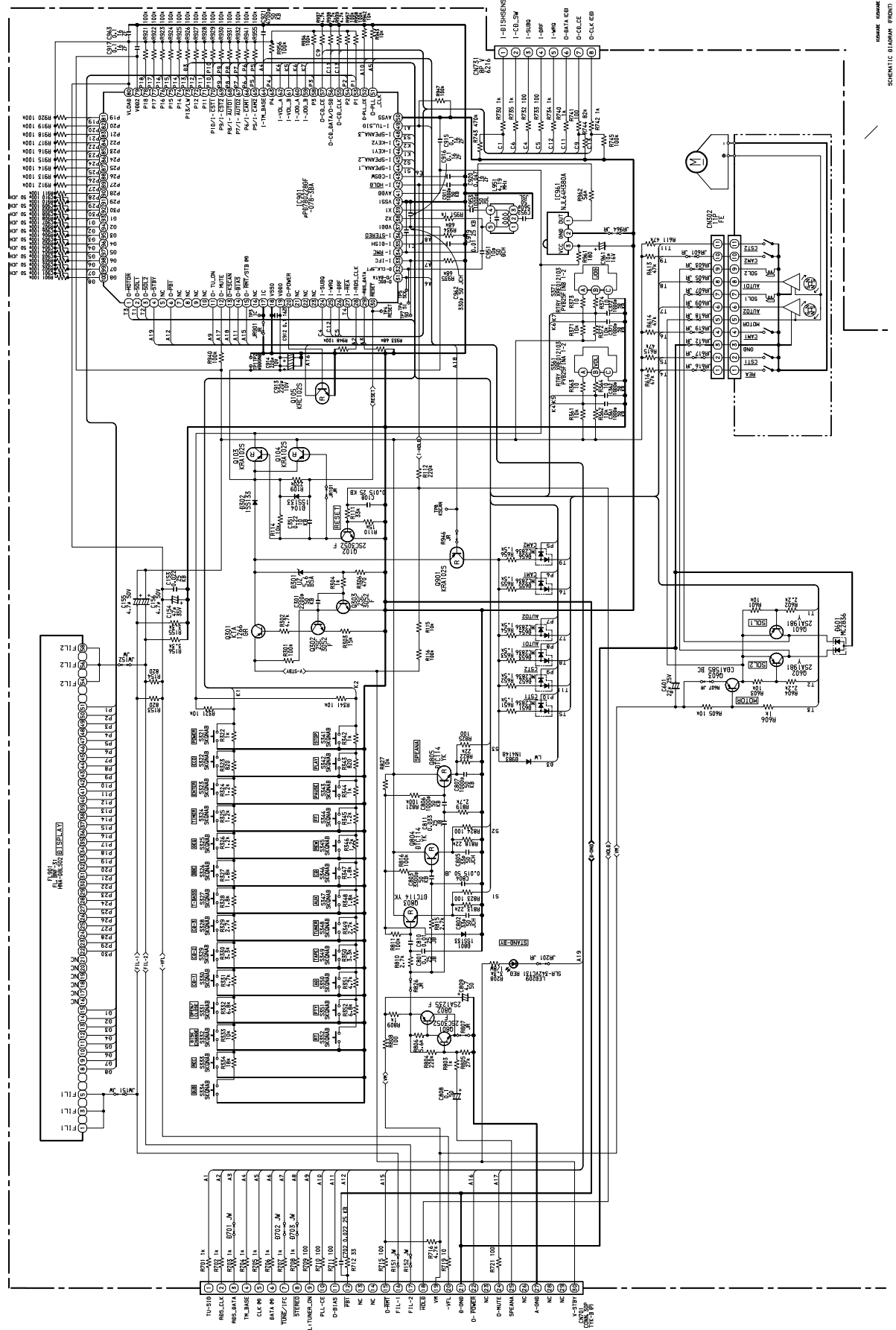
BNF-31

SM-TMP 13004.005-01.2001 18:57:22 B-BNF-31FR-U.P1

SCHEMATIC DIAGRAM – 10 (LH : FRONT)



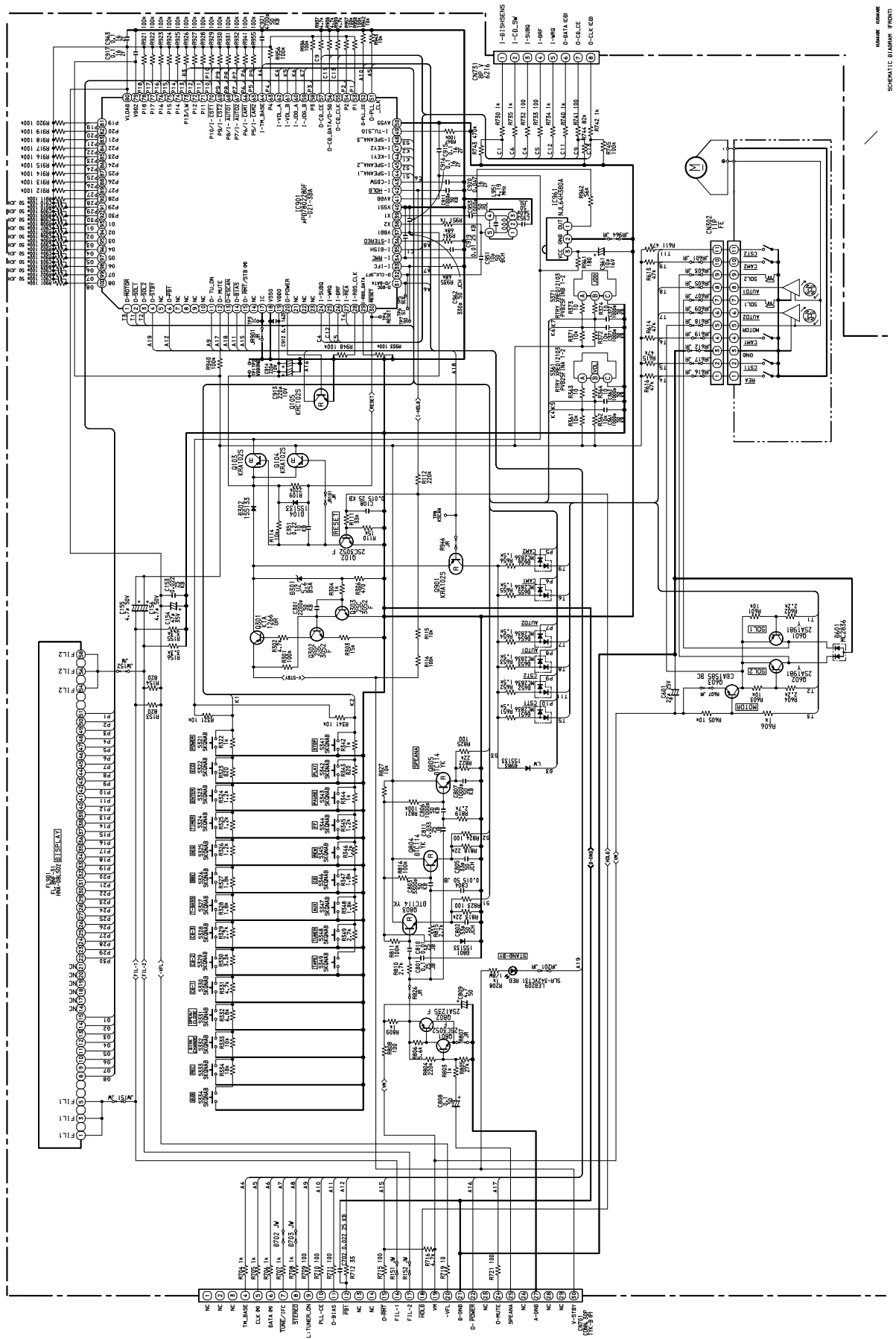
SCHEMATIC DIAGRAM - 11 (315EZ: FRONT)



SCHEMATIC DIAGRAM (FRONT)  
 8B NF Y 622 01  
 C0001560  
 CM-NR215 EZ  
 18 DEC.2000

BNF-31

SCHEMATIC DIAGRAM – 12 (310EZ.K : FRONT)

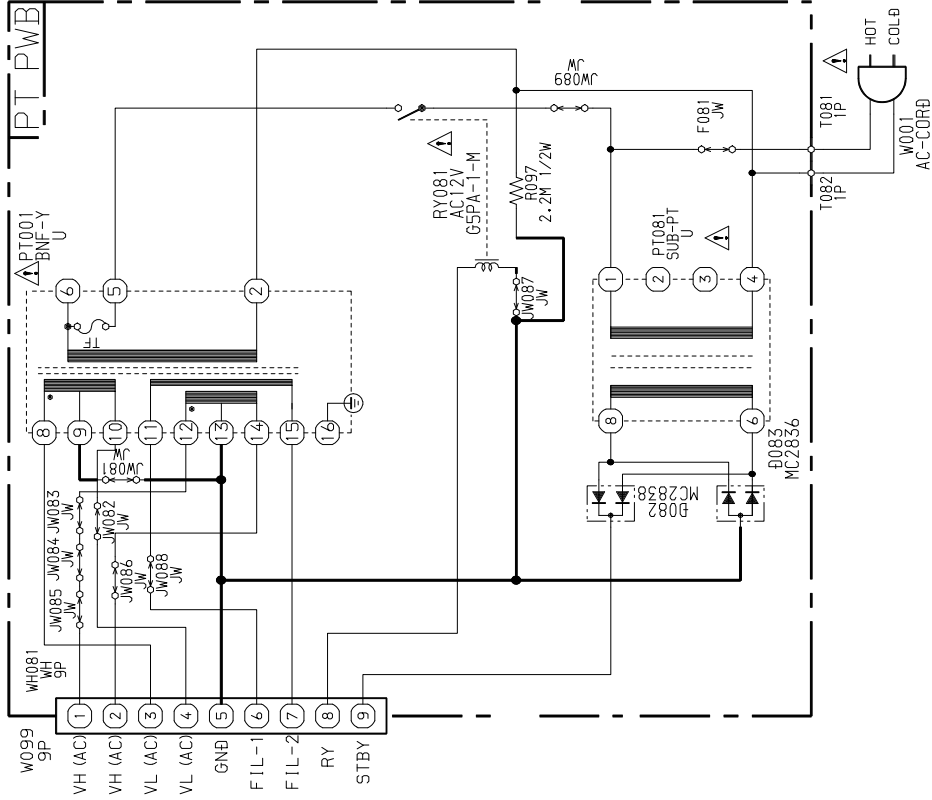


SCHEMATIC DIAGRAM (FRONT)  
 BB NFY 622 01  
 C0001561  
 CX-NS2310 EZ/K  
 18 DEC 2000

BNF-31

B-NF-31FR-EZ

SCHEMATIC DIAGRAM – 13 (U : PT)



(PT)  
SCHEMATIC DIAGRAM

8B NF9 630 01

C0001474

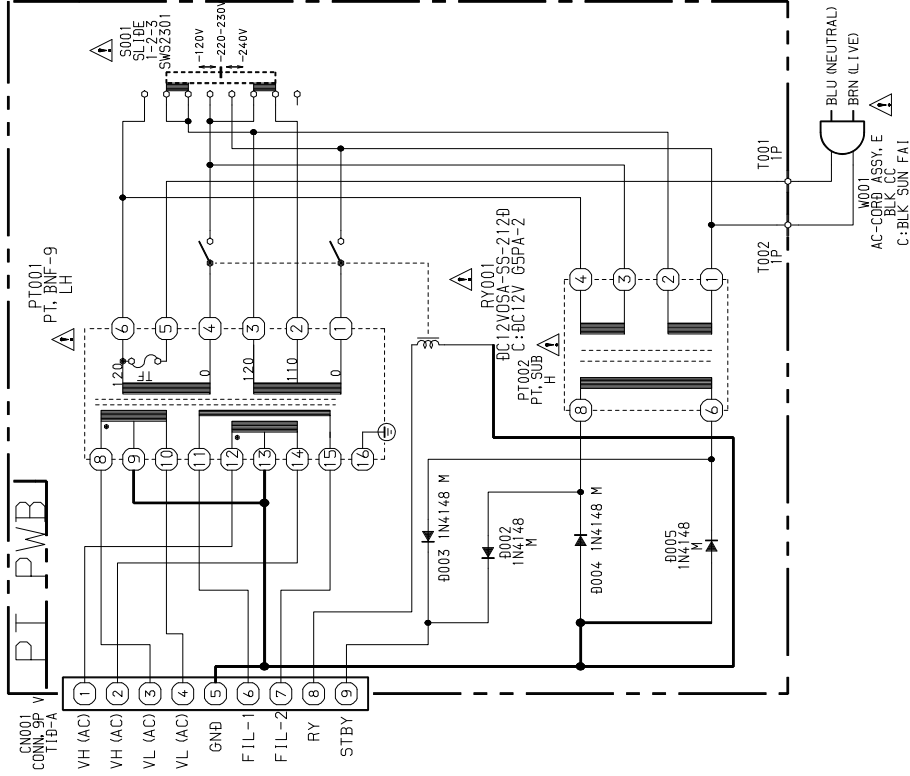
CX-NAJ300/310 U

20 NOV 2000

BNF-9/31

B-BNF-9MAIN-U (P3)

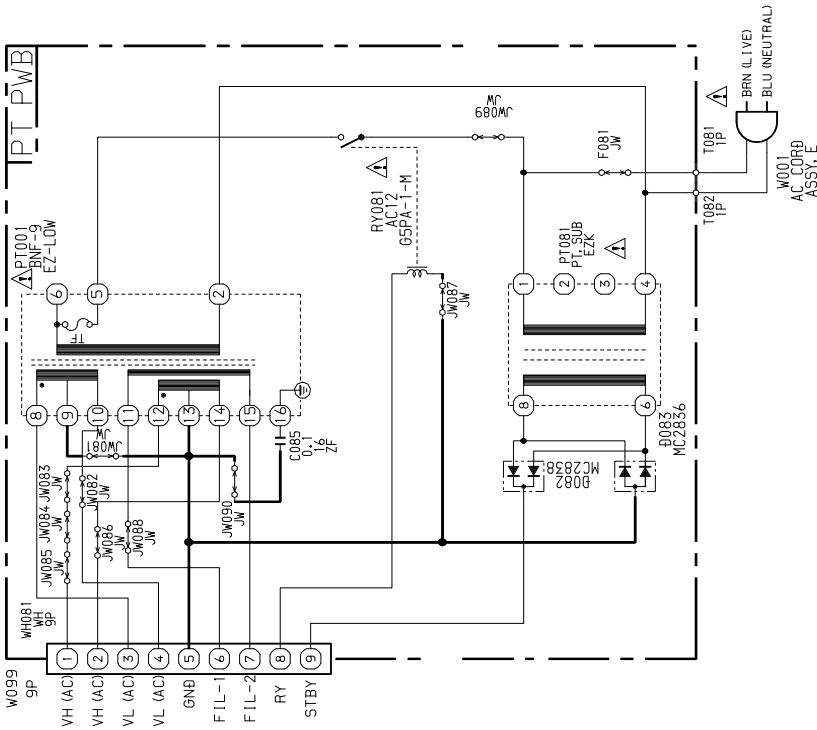
SCHEMATIC DIAGRAM - 14 (LH: PT)



(PT)  
 SHCEMATIC DIAGRAM  
 8B NFS 641 01  
 C0001483  
 BNF-9 66-55  
 CX-NSZ300/310 H  
 24 NOV 2000

B-BNF-9PT-LH

SCHEMATIC DIAGRAM – 15 (EZ,K:PT)



(PT)  
SCHEMATIC DIAGRAM

8B NF9 630 01  
C0001475  
CX-NSZ302319 EZ K  
24 NOV 2000

BNF-9/31

B-BNF-9MAIN-EZ (P.3)





**アイワ株式会社** 〒110-8710 東京都台東区池之端1-2-11 ☎03(3827)3111 (代表)  
**AIWA CO.,LTD.** 2-11, IKENOHATA 1-CHOME, TAITO-KU, TOKYO 110, JAPAN TEL:03 (3827) 3111