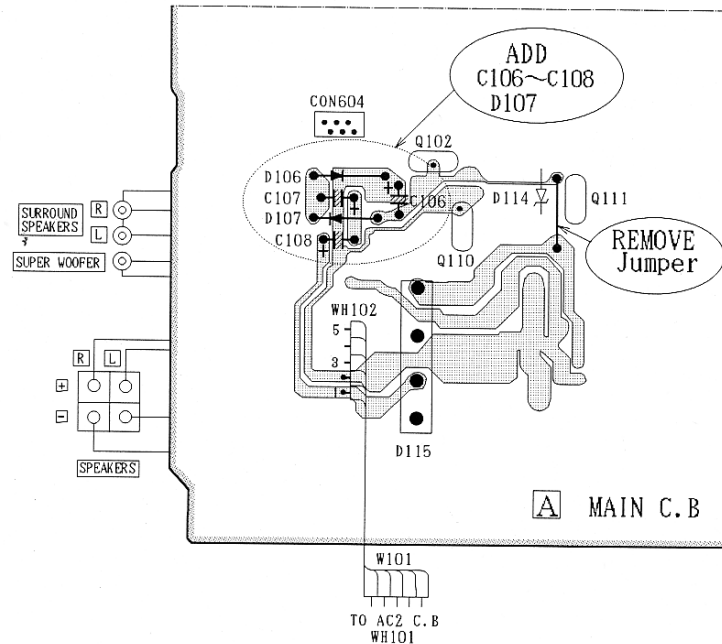


SERVICE TECHNICAL INFORMATION

ONE POINT REPAIR

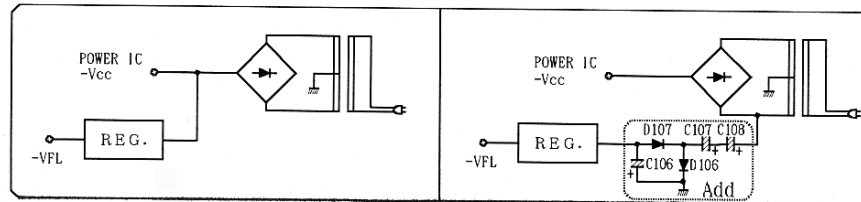
UTSUNOMIYA, NOVEMBER 15, 1995
 REF. NO. : SI-95-036
 CUSTOMER RELATIONS & SERVICE DIV.

- MODEL : NSX-V30 / V31G / V33 / AP1MK2
 SUBJECT : Changing brightness of FL display
 SYMPTOM : The FL display flickers when T-BASS is ON and the volume is at or beyond the 10 o'clock position. If such a problem is indicated by the customer, perform the remedy described below.
 REMEDY : As shown in the diagram below, add 3 electrolytic condensers and 2 diodes to the MAIN C.B. and remove 1 jumper wire.



Before modification

After modification



Parts No.	Parts Name	Ref No.
87-010-408-010	Electrolytic condenser 47 μ F•50V	C107 / C108
87-017-978-080	Diode IN4003	D106 / D107
87-010-764-080	Electrolytic condenser 47 μ F•63V	C106