

aiwa

AIWA CO.,LTD. UTSUNOMIYA FACTORY

2620, TOKUJIROU-MACHI, UTSUNOMIYA-SHI,TOCHIGI 321-21,JAPAN

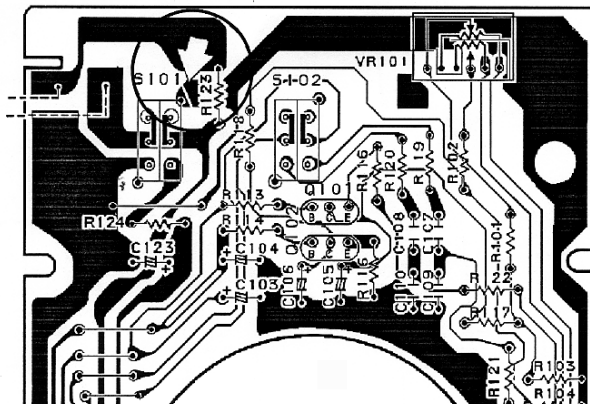
SERVICE TECHNICAL INFORMATION

ONE POINT REPAIR

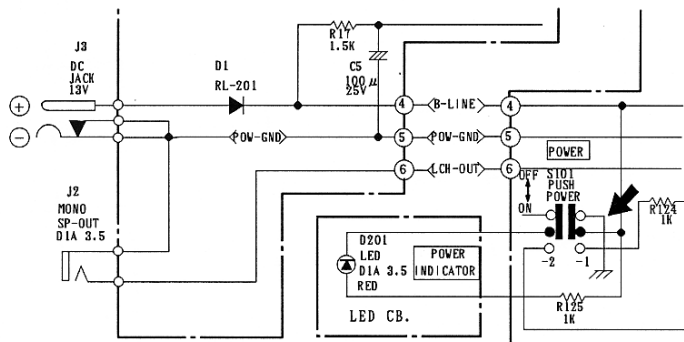
UTSUNOMIYA, JUNE 12 1995

REF. NO. : S1-95-019
CUSTOMER RELATION & SERVICE DIV.

- MODEL :** SC-A55/C55
SUBJECT : Power can not be turned ON
SYMPTOM : For the above models, there are cases in which the power can not be turned ON. If such a symptom is indicated by the customer, perform the following remedy.
REMEDY : Cut the MAIN CB GND pattern. Also, replace when D1 (RL201) of the controller board is burned, or when the AC adapter is disconnected.



Cut the pattern indicated by the arrow.



Solder flows into SW. When the power is OFF, +B flows into GND.
(Cut portion indicated by the arrow.)

- NOTE :** Applicable Production Lot: From MAY 23, 1995. Affix a QC label to the printed packaging on the bottom of the unit.

Ref. No.	Part Name	Part No.
D1	RL-201	S1-520-100-000
-	AC Adapter 120V (AU)	S9-010-011-900
-	AC Adapter 230/240V (AK)	S9-010-012-100
-	AC Adapter 230V (AE)	S9-010-012-400
-	AC Adapter 115/230V (AH)	S9-010-012-200