

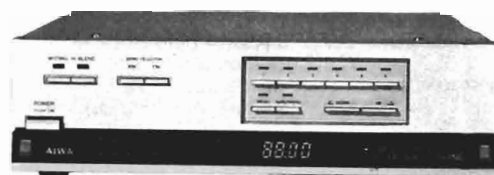
AIWA®

SERVICE MANUAL

DATE OF ISSUE 10/1981

FM/AM STEREO TUNER
MODEL NO. ST-R80H, G

Code No. 15-800-000-12



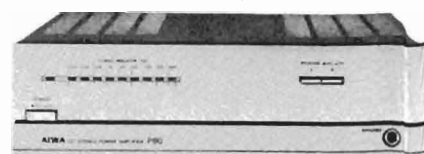
STEREO PRE AMPLIFIER
MODEL NO. SA-C80H, G

Code No. 16-800-000-12



DC STEREO POWER AMPLIFIER
MODEL NO. SA-P80H, G

Code No. 17-800-000-12



SPECIFICATIONS = ST-R80

◀ GENERAL ▶

Semiconductors:	15 ICs, 1 FET, 39 transistors, 55 diodes, 17 LEDs
Power source:	AC120/220/240V Switchable (H model) AC 240V (G model) 50/60 Hz
Power consumption:	8W
Dimensions:	250(W) x 71(H) x 281(D) mm
Weight:	2.2 kg
◀ FM TURNER SECTION ▶	
Frequency ranges:	87.5 ~ 108.0 MHz
Intermediate frequency:	10.7 MHz
IHF sensitivity:	7 ± 2 dB (at 88.0, 98.0, 108.0 MHz) (THD 3%)
50 dB quieting sensitivity:	35 ± 3 dB (at 98.0 MHz)
Image frequency interference ratio:	More than 65 dB (at 98.0 MHz)
Intermediate frequency interference ratio:	More than 85 dB (at 98.0 MHz)
SN ratio:	E model: 73 ± 5 dB (at 88 MHz) 75 ± 5 dB (at 98, 108 MHz) K model: 75 ± 4 dB (at 88 MHz) 77 ± 4 dB (at 98, 108 MHz)
Total harmonic distortion:	Less than 0.15% (at 98.0 MHz) (input level 60 dB)
AM suppression ratio:	More than 50 dB (at 98.0 dB)
Muting response:	25 ± 10 dB (at 98.0 dB)
Effective selectivity:	More than 65 dB (at 98.0 MHz)

Capture ratio:	More than 2.5 dB (at 98.0 MHz)
Frequency response:	30 Hz ~ 15 kHz (0 +0.5 -2.0 dB)
Separation:	More than 40 dB (at 1 kHz)
Auto scanning level:	Less than 30 +10 -5 dB (at 98.0 MHz)

◀ AM TURNER SECTION ▶

Frequency ranges:	522 ~ 1,611 kHz
Intermediate frequency:	450 kHz
Noise limit sensitivity:	Less than 57 dB (at 603 kHz) (S/N 20 dB, bar antenna) Less than 55 dB (at 999, 1403 kHz)
Image frequency interference ratio:	More than 50 dB (at 999 kHz)
Intermediate frequency interference ratio:	More than 32 dB (at 999 kHz) More than 40 dB (at 999 kHz)
Selectivity:	(±9 kHz)
Total harmonic distortion:	Less than 1.0% (at 999 kHz)
AGC characteristic:	More than 45 dB
SN ratio:	More than 40 dB (74 dB input)
Auto scanning level:	55 ± 8 dB

SPECIFICATIONS = SA-C80

Semiconductors:	3 ICs, 14 transistors, 19 diodes, 6 LEDs
Power source:	AC120/220/240V Switchable (H model) AC 240V (G model) 50/60 Hz
Power consumption:	8W
Dimensions:	250(W) x 71(H) x 246(D)mm
Weight:	2.2 kg
S/N ratio:	PHONO (MM) More than 88 dB (Weighted) PHONO (MC) More than 71 dB TUNER, AUX, TAPE More than 95 dB
Distortion:	Less than 0.008% (20 Hz ~ 20 kHz)
Frequency response:	10 ~ 100,000 Hz (-3 dB)
Tone controls:	BASS 50 Hz +10 ± 1 dB -10 ± 1 dB TREBLE 20 kHz +8 ± 1 dB -8 ± 1 dB

Loudness:	100 Hz +6.5 ± 1 dB 10 kHz +3.5 ± 1 dB 30 Hz -3 ± 1 dB
Low filter:	30 Hz
DSL:	I: +10 ± 1.5 dB (400 Hz, -40 dB) II: +20 ± 1.5 dB
Channel separation:	More than 55 dB
RIAA deviation:	±0.2 dB (20 Hz ~ 20 kHz)
Input sensitivity and impedance:	PHONO (MM) 2.5 mV/47 kΩ (200 mV max input) PHONO (MC) 0.25 mV/100 Ω TUNER AUX, TAPE 150 mV/47 kΩ PLAY 150 mV/47 kΩ RECORD 150 mV/47 kΩ
Tape monitor:	1V ± 1 dB (PHONO 2.5 mV in) 1V ± 1.5 dB (TUNER, AUX, TAPE 150 mV in)
Output level:	

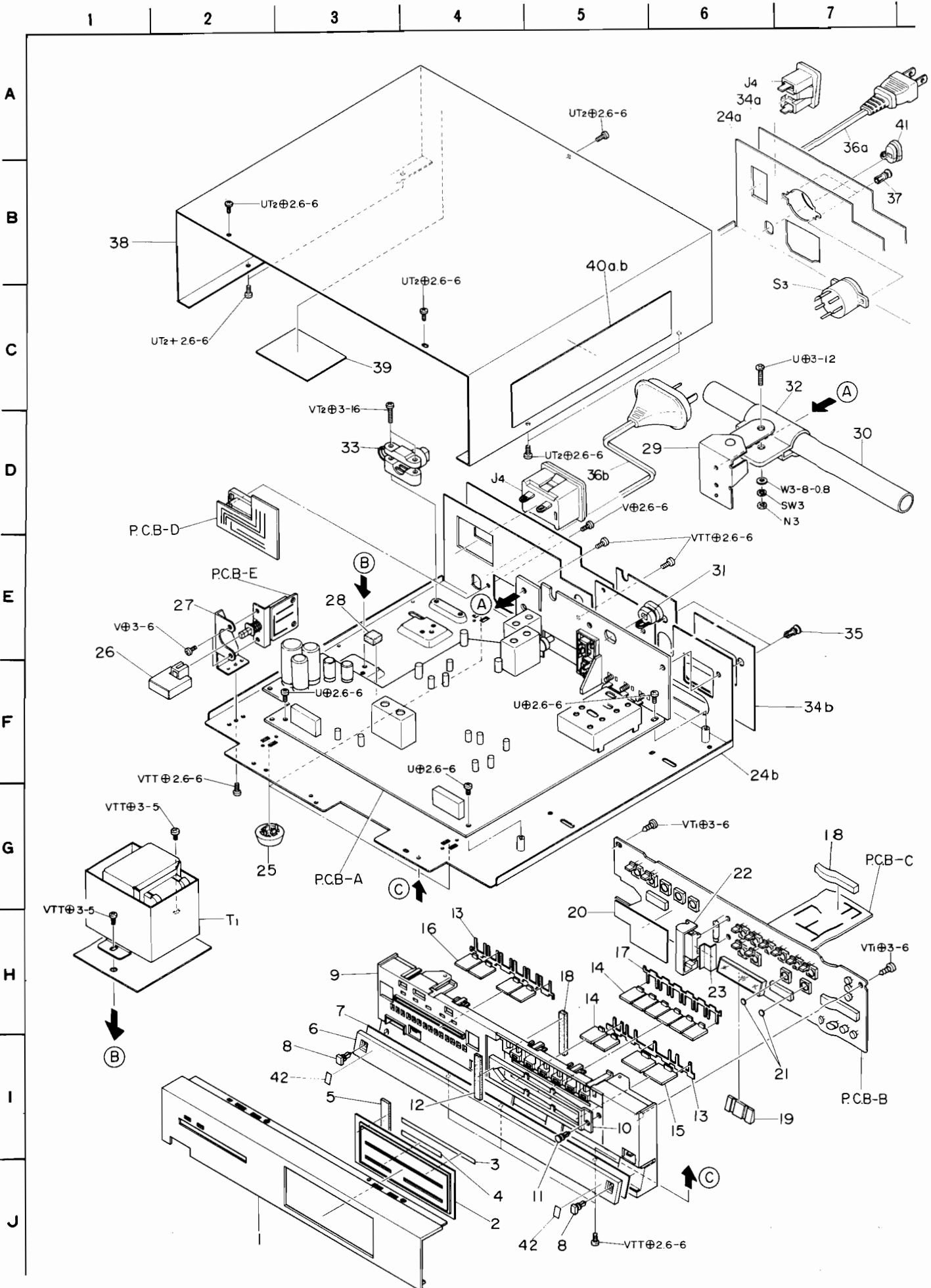
SPECIFICATIONS = SA-P80

Semiconductors:	4 ICs, 2 FETs, 14 transistors, 27 diodes, 10 LEDs
Power source:	AC120/220/240V Switchable (H model) AC 240V (G model) 50/60 Hz
Power consumption:	85 W (H model) 280 W (G model)

S/N ratio:	More than 113 dB (1 kHz, IHF A curve)
Damping factor:	More than 50 (8Ω, 1 kHz)
Input sensitivity:	0.5 ± 1.0 dB (1 kHz, 50W)
Frequency response:	10 ~ 100,000 Hz (+0 -3 dB)
Power bandwidth:	10 ~ 50,000 Hz (Distortion: 0.03%)
Residual noise:	Less than 0.4 mV
Output voltage:	PHONES More than 0.89 mW ± 1 dB

• Specifications and external appearance are subject to change without notice due to product improvement.

EXPLODED VIEW



PARTS LIST

MECHANICAL PARTS

■ * mark in this part list shows exclusive part.

Ref. No.	Part No.	Part No. Changed to	Description	Common Model	Q'ty
1-1	82-779-002-01		Panel, Front E	*	1
1-2	82-779-026-01		Control plate A	*	1
1-3	82-779-215-01		Filter A	*	1
1-4	82-779-221-01		Filter B	*	1
1-5	82-780-217-01		Cushion	SA-C80	1
1-6	82-779-012-01		Window	*	1
1-7	82-779-027-01		Plate	*	1
1-8	82-769-010-01		Nylon rivet ass'y	ST-R35	2
1-9	82-779-025-01		Cabinet, Front	*	1
1-10	82-779-008-01		Guide A, Panel	*	1
1-11	87-084-072-01		Nylon rivet 3.5—7		1
1-12	82-780-217-01		Cushion	SA-C80	1
1-13	82-779-211-01		Plate spring A	*	2
1-14	82-779-006-01		Push-key	*	8
1-15	82-779-011-01		Push-key (UP DOWN)	*	2
1-16	82-779-007-01		Push-key	*	4
1-17	82-779-212-01		Plate spring B	*	1
1-18	82-748-208-01		Cushion	SA-C50	2
1-19	82-779-209-01		Spacer	*	1
1-20	82-779-626-01		Shield plate ass'y	*	1
1-21	82-779-209-01		Spacer	*	2
1-22	82-780-212-01		Holder, Lamp	SA-C80	1
1-23	82-780-214-01		Reflector paper	SA-C80	1
1-24a	82-779-208-01		Amp. chassis H ass'y (H model only)	*	1
1-24b	82-779-206-01		Amp. chassis K ass'y (G model only)	*	1
1-25	82-745-019-01		Foot		4
1-26	82-780-008-01		Push-button C	SA-C80	1
1-27	82-779-210-01		Holder, POWER	*	1
1-28	82-157-226-01		G cushion	SD-L50	1
1-29	82-757-009-01		Antenna holder ass'y	ST-R10	1
1-30	82-779-611-01		Bar antenna E	*	1
1-31	87-085-182-01		Cord bushing B		1
1-32	82-473-013-01		Holder, Antenna C		1
1-33	87-085-166-01		Holder, AC power cord (G model only)		1
1-34a	82-779-018-01		Jack plate (H model only)	*	1
1-34b	82-779-016-01		Jack plate (G model only)	*	1
1-35	87-085-102-01		Nylon rivet 3.5—5.5		2
1-36a	87-034-957-01		AC power cord (H model only)		1
1-36b	87-034-892-01		AC power cord (G model only)		1
1-37	87-085-090-01		Nylon rivet 3—6.5 (H model only)		2
1-38	82-779-005-01		Cabinet, Steel	*	1
1-39	82-168-237-01		Insulation sheet (G model only)	AD-F600	1
1-40a	82-779-031-01		Name plate, Spec. (H model only)	*	1
1-40b	82-779-028-01		Name plate, Spec. (G model only)	*	1
1-41	87-085-181-01		Cord bushing A (H model only)		1
1-42	82-779-218-01		Mylar sheet 1.5—5	*	2

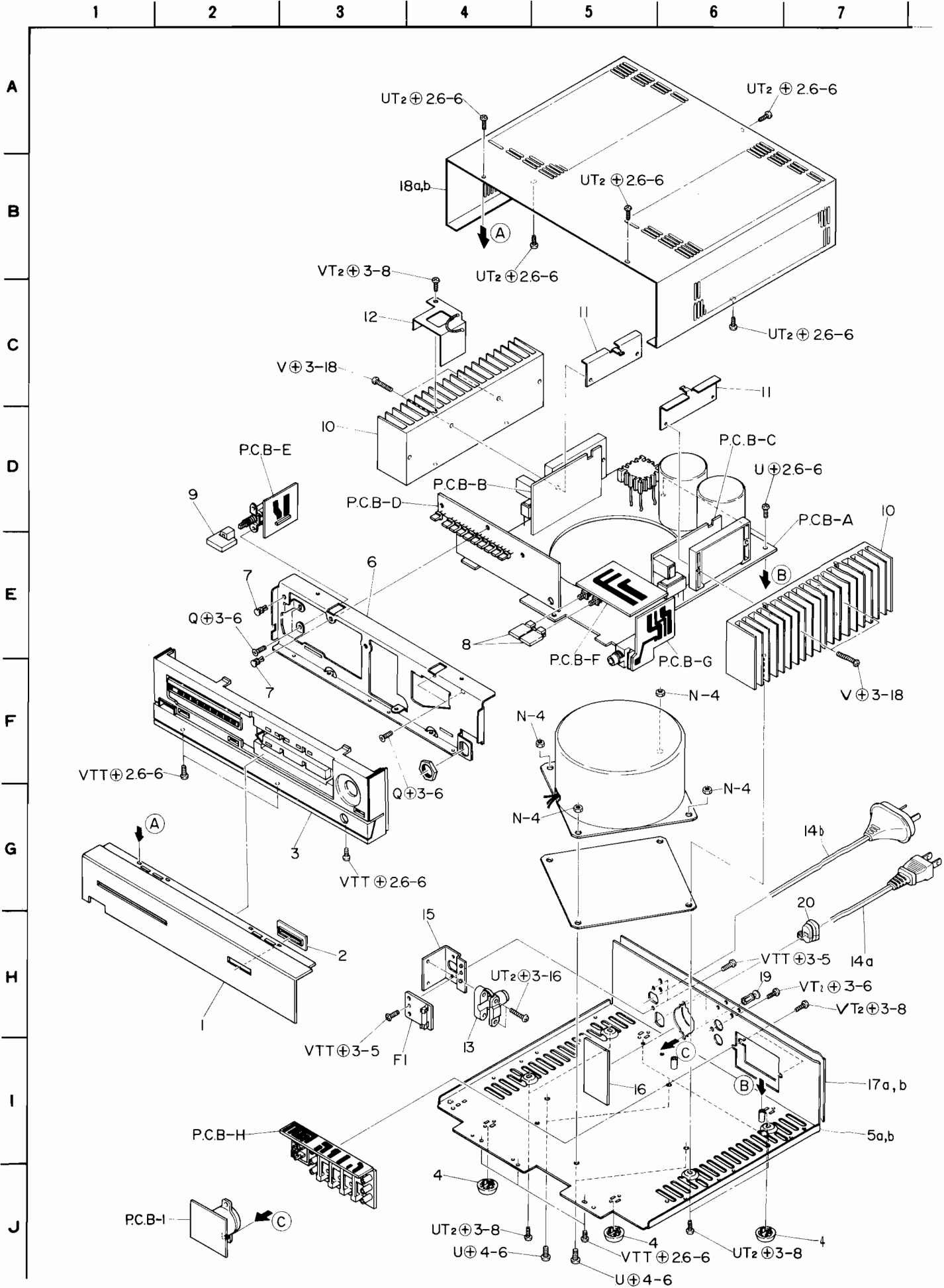
PARTS LIST

MECHANICAL PARTS

■ * mark in this part list shows exclusive part.

Ref. No.	Part No.	Part No. Changed to	Description	Common Model	Q'ty
1-1	82-780-024-01		Badge, DSL	*	1
1-2	82-780-001-01		Cabinet, Front	*	1
1-3	82-780-013-01		Knob B, Volume	*	1
1-4	82-780-004-01		Knob	*	3
1-5	82-780-003-01		Panel E, Front	*	1
1-6	82-780-217-01		Cushion	*	1
1-7	82-780-009-01		Light guide B, Panel	*	1
1-8	87-084-072-01		Nylon rivet 3.5-7		1
1-9	87-780-010-01		Control plate B	*	1
1-10	82-780-201-01		Chassis, Front	*	1
1-11	87-085-090-01		Nylon rivet 3-6.5 (H model only)		2
1-12	82-780-212-01		Holder, Lamp	*	1
1-13	82-780-214-01		Reflector paper	*	1
1-14	82-780-007-01		Push-button	*	12
1-15	82-780-008-01		Push-button	*	1
1-16	82-780-210-01		Rod, POWER	*	1
1-17	82-780-211-01		Rod B	*	6
1-18a	82-780-216-01		Amp. chassis H (H model only)	*	1
1-18b	82-780-207-01		Amp. chassis K (G model only)	*	1
1-19	82-745-019-01		Foot		4
1-20	87-085-181-01		Cord bushing (H model only)		1
1-21	87-085-166-01		Holder, AC power cord (G model only)		1
1-22a	87-034-956-01		AC power cord (H model only)		1
1-22b	87-034-892-01		AC power cord (G model only)		1
1-23	82-780-025-01		Name plate, Spec. (H model only)	*	1
1-24	87-085-102-01		Nylon rivet 3.5 - 5.5		3
1-25a	82-780-018-01		Jack plate (H model only)	*	1
1-25b	82-780-026-01		Jack plate (G model only)	*	1
1-26	82-780-012-01		Cabinet, Steel	*	1
1-27	82-748-633-01		Shield plate	SA-C50	1
1-28	82-180-259-01		Filter, REC		1
1-29	82-780-221-01		Filter B	*	1
1-30	82-780-222-01		Filter C	*	1

EXPLODED VIEW



PARTS LIST

MECHANICAL PARTS

■ * mark in this part list shows exclusive part.

Ref. No.	Part No.	Part No. Changed to	Description	Common Model	Q'ty
1-1	82-781-002-01		Panel E, Front	*	1
1-2	82-781-005-01		Guide, Button	*	1
1-3	82-781-010-01		Cabinet, Front	*	1
1-4	82-745-019-01		Foot		4
1-5a	82-781-205-01		Chassis H, Amp. (H model only)	*	1
1-5b	82-781-203-01		Chassis D, Amp. (G model only)	*	1
1-6	82-781-201-01		Chassis, Front	*	1
1-7	87-084-077-01		Nylon rivet 3.5-4.5		2
1-8	82-781-004-01		Push-button	*	2
1-9	82-780-008-01		Push-button C		1
1-10	82-781-621-01		Heat sink E	*	2
1-11	82-781-206-01		Leaf nut	*	2
1-12	82-781-607-01		Shield plate	*	1
1-13	87-085-166-01		Holder, AC power cord (G model only)		1
1-14a	87-034-957-01		AC power cord (H model only)		1
1-14b	87-034-948-01		AC power cord (G model only)		1
1-15	82-499-208-01		Holder A, AC power cord (G model only)		1
1-16	82-499-210-01		Insulation sheet (G model only)		1
1-17a	82-781-011-01		Jack plate (H model only)	*	1
1-17b	82-781-015-01		Jack plate (G model only)	*	1
1-18a	82-781-013-01		Cabinet, Steel (H model only)	*	1
1-18b	82-781-003-01		Cabinet, Steel (G model only)	*	1
1-19	87-085-090-01		Nylon rivet 3-6.5 (H model only)		2
1-20	87-085-181-01		Cord bushing (H model only)		2

ACCESSORIES/PACKAGE = ST-R80H,G

Ref. No.	Part No.	Part No. Changed to	Description	Common Model	Q'ty
1	82-779-857-01		Printed indiv., Packing	*	1
2	82-779-852-01		Cushion L, Printed indiv.	*	1
3	82-779-853-01		Cushion R, Printed indiv.	*	1
4	87-056-604-01		Poly-vinyl sack (for case)		1
5a	82-779-904-01		Instructions booklet (H model only)	*	1
5b	82-779-905-01		Instructions booklet (G model only)	*	1
6a	87-051-131-11		Poly-vinyl sack (for AC power cord) (H model only)		1
6b	87-051-135-11		Poly-vinyl sack (for AC power cord) (G model only)		1
7	87-051-171-11		Poly-vinyl sack (for instruction)		1
8	87-056-009-51		Distributors list		1
9	86-944-016-01		Connection cord, CW-129DSK		1
10	87-043-051-01		FM feeder antenna		1
11	87-056-059-01		Guarantee card (G model only)		1
12	87-032-845-01		Siemens plug (H model only)		1

ACCESSORIES/PACKAGE = SA-C80H,G

Ref. No.	Part No.	Part No. Changed to	Description	Common Model	Q'ty
1	82-780-853-01		Printed indiv., Packing	*	1
2	82-779-852-01		Cushion L, Printed indiv.	ST-R80	1
3	82-779-853-01		Cushion R, Printed indiv.	ST-R80	1
4a	87-051-131-11		Poly-vinyl sack (for AC power cord) (H model only)		1
4b	87-051-137-11		Poly-vinyl sack (for AC power cord) (G model only)		1
5	87-056-604-01		Poly-vinyl sack (for case)		1
6a	82-780-904-01		Instructions booklet (H model only)	*	1
6b	82-780-905-01		Instructions booklet (G model only)	*	1
7	87-056-059-01		Guarantee card (G model only)		1
8	87-051-171-11		Poly-vinyl sack (for instruction)		1
9	87-056-009-51		Distributors list		1
10	87-032-845-01		Siemens plug (H model only)		1

ACCESSORIES/PACKAGE = SA-P80H,G

Ref. No.	Part No.	Part No. Changed to	Description	Common Model	Q'ty
1	82-781-855-01		Printed indiv., Packing	*	1
2	82-781-852-01		Cushion L, Printed indiv.	*	1
3	82-781-853-01		Cushion R, Printed indiv.	*	1
4a	87-051-131-11		Poly-vinyl sack (for AC power cord) (H model only)		1
4b	87-051-137-11		Poly-vinyl sack (for AC power cord) (G model only)		1
5	87-056-604-01		Poly-vinyl sack (for case)		1
6a	82-781-904-01		Instructions booklet (H model only)	*	1
6b	82-781-905-01		Instructions booklet (G model only)	*	1
7	87-051-171-01		Poly-vinyl sack (for instruction)		1
8	87-056-059-01		Guarantee card (G model only)		1
9	87-056-009-51		Distributors list		1
10	86-944-016-01		Connection cord CW-129DSK		1
11	87-032-845-01		Siemens plug (H model only)		1

ELECTRICAL MAIN PARTS LIST = ST-R80H,G

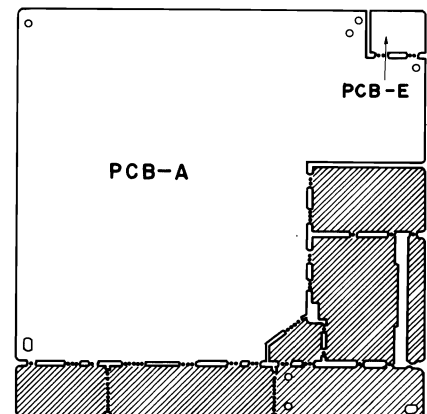
Symbol No.	Part No.	Description
◀ TUNER CIRCUIT BOARD SECTION ▶		
PCB-A	*	Tuner circuit board
CP1	82-769-605-11	FM front end U. M
IC1	82-494-791-01	IC, HA11211
IC2	87-027-576-01	IC, HA12016
IC3	87-027-752-01	IC, μPD553AC
IC4	87-027-656-01	IC, TC4066BP
Q101	89-319-233-01	Transistor, 2SC1923(O)
Q102,103	89-318-154-01	Transistor, 2SC1815(Y)
106,112		
114,115		
116,117,		
119,120,		
121,122,		
124,126,		
127,131		
Q104,105	89-320-014-01	Transistor, 2SC2001(K,S)
Q107	89-318-155-01	Transistor, 2SC1815(GR)
Q108,118	89-110-154-01	Transistor, 2SA1015(Y)
Q110	89-303-803-01	Transistor, 2SC380(O)
Q111	89-303-804-01	Transistor, 2SC380(Y)
Q113	89-500-304-01	FET, 2SK30A(Y)
Q123,125	89-403-135-01	Transistor, 2SD313(E)
D1,2,3,4,	87-027-097-01	Diode, 1S1555
5,6,7,8,		
11,12,15,		
16,17,18,		
19,20,26,		
27,28		
D9,10		Diode, KV-1236Z-2
D13,14	88-052-188-11	Diode, 1S188(FM)
D21	87-027-332-01	Zener diode, HZ6B1L
D22,23,24	87-027-365-01	Diode, S5277B
25		
L1	87-003-050-01	Choke coil, 47μH
L3	82-775-607-01	MW OSC coil
CF1,2,3	87-008-244-01	Ceramic filter, Kit K
CF4	87-008-225-01	Ceramic filter, SFP4501
TC1	87-011-109-01	Trimmer, 15P
IFT1	82-742-641-01	FM quad coil
IFT2	87-008-241-01	AM IFT, 450S
IFT3	87-008-160-01	AM IFT (DET)
LPF1,2	82-773-621-01	Low-pass filter
J1,2	82-769-601-01	Jack plate ass'y (OUTPUT, ANT)
SFR1	87-021-689-01	Semi-fixed resistor, 47kΩ-B
SFR2	87-021-571-01	Semi-fixed resistor, 200kΩ-B
SFR3	87-021-566-01	Semi-fixed resistor, 5kΩ-B
PIN3	87-049-050-01	Pin, 6P
CON-2	87-032-967-01	Pin, 7P
CON-1	87-032-968-01	Pin, 8P
< Capacitors >		
C251	87-014-049-01	470pF PP
C224,225,226	87-014-057-01	1,000pF PP
◀ FRONT CIRCUIT BOARD SECTION ▶		
PCB-B	*	Front circuit board
IC1	87-027-824-01	IC, μPD1703C-521
IC2	87-027-426-01	IC, IR-2403
IC3,4,5	87-027-768-01	IC, HD74LS74P
IC6	87-027-802-01	IC, HD74LS175P
IC7	87-027-791-01	IC, HD74LS138P
IC8	87-027-261-01	IC, LB-1405
Q1,4,6,7	89-318-154-01	Transistor, 2SC1815(Y)
9,11,12		
Q2,3,5,8,10	89-319-594-01	Transistor, 2SC1959(Y)
Q13	89-406-363-01	Transistor, 2SD636(Q)

Symbol No.	Part No.	Description
D1,2,3	87-027-393-01	Zener diode, HZ 4C2
D4,5,6,7,8,	87-027-097-01	Diode, 1S1555
9,10,11,12,		
13,14,15, 18,		
19		
D21	87-027-823-01	LED, 2063K-01K
D22,23,37,	87-027-542-01	LED, LN317RP
D24,25,26		
27, 28,29		
30, 31		
D32,33,34,	87-027-544-01	LED, LN05202P
35,36		
L1	87-005-121-01	Choke coil, 2,2μH
L2	87-003-051-01	Choke coil, 470μH
X1	82-769-613-01	Crystal, 4.5MHz
S1,2,3,4,5,	87-031-665-01	Light tact switch (MUTING, HI-BLEND, LW, MW, FM, MEMO, AUTO/MANU DOWN, UP, PRE-SET CHANNEL 1,2,3,4,5,6)
6,7,8,9,10,		
11,12,13,14,		
15		
< Resistors >		
R28-1,28-2	82-769-640-01	Resistor block 56kΩx4
28-3,28-4		
< Capacitors >		
C3,16	87-015-695-01	1μF 50V Electrolytic
C12,26,33	87-015-696-01	2.2μF 50V Electrolytic
C18,19	87-015-698-01	4.7μF 50V Electrolytic
C5,11	87-015-896-01	220μF 6.3V Electrolytic
◀ SUB CIRCUIT BOARD SECTION ▶		
PCB-C	*	Sub circuit board
IC1,2,3	87-027-429-01	IC, TC4016BP
D1,2,3,4,5	87-027-097-01	Diode, 1S1555
6,7,8,9,10		
PIN5	87-032-642-01	Pin, 12P
◀ JACK CIRCUIT BOARD SECTION ▶		
PCB-D	*	Jack circuit board
J3	87-049-064-01	Connector ass'y 16P (REMOTE)
PIN4	87-049-068-01	Pin, 3P
◀ SWITCH CIRCUIT BOARD SECTION ▶		
PCB-E	*	Switch circuit board
⚠ S16	87-031-689-01	Push-switch (POWER)
◀ MISCELLANEOUS ▶		
⚠ T1	82-779-609-01	Power transformer (H model only)
⚠ T1	82-779-617-01	Power transformer (G model only)
⚠ S3	87-031-685-01	Rotary swith (VOLTAGE SELECTOR) (H model only)
⚠ J4	87-032-937-01	AC outlet (H model only)
⚠ J4	87-032-996-01	AC outlet (G model only)
⚠ PL1	82-779-616-01	Pilot lamp 12V 150 mA
⚠	87-034-957-01	AC power cord (H model only)
⚠	87-034-892-01	AC power cord (G model only)
L2	82-769-616-01	Bar antenna coil
	82-779-614-01	Flat cable, 7P
	82-779-613-01	Flat cable, 8P
	82-779-612-01	Flat cable 12P
	87-085-181-01	Cord bushing (H model only)
	87-085-166-01	Holder, AC power cord (G model only)
	87-085-182-01	Cord bushing B
CON 3	82-779-620-01	TL connector ass'y 3P
CON 4	82-779-615-01	TL connector ass'y 6P

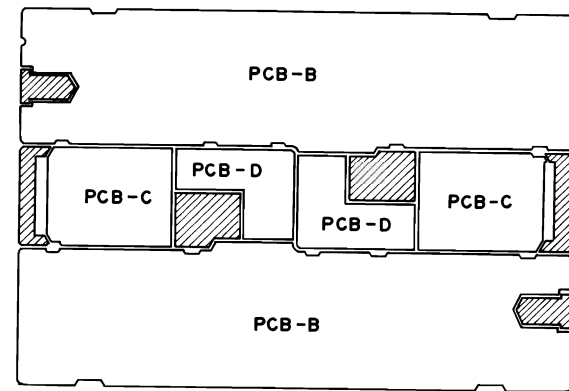
⚠ Safety component symbol
 This symbol is given to important parts which serve to maintain the safety of the product, and which are made to conform to special safety specifications. Therefore, when replacing a component with this symbol, make absolutely sure that you use a designated part.

Note; Combination Circuit Board
 The parts on the electrical parts list which are indicated by an asterisk (*) are supplied as one single combined circuit board. Therefore, they will not be supplied separately. If this becomes necessary, please order the entire circuit board.

Combination circuit board A 82-773-622-21



Combination circuit Board B 82-179-631-01



Symbol No.	Part No.	Description
D1,2,3	87-027-393-01	Zener diode, HZ 4C2
D4,5,6,7,8, 9,10,11,12, 13,14,15, 18, 19	87-027-097-01	Diode, IS1555
D21	87-027-823-01	LED, 2063K-01K
D22,23,37, D24,25,26 27, 28,29 30, 31	87-027-542-01	LED, LN317RP
D32,33,34, 35,36	87-027-544-01	LED, LN05202P
L1	87-005-121-01	Choke coil, 2,2μH
L2	87-003-051-01	Choke coil, 470μH
X1	82-769-613-01	Crystal, 4.5MHz
S1,2,3,4,5, 6,7,8,9,10, 11,12,13,14, 15	87-031-665-01	Light tact switch (MUTING, HI-BLEND, LW, MW, FM, MEMO, AUTO/MANU DOWN, UP, PRE- SET CHANNEL 1,2,3,4,5,6)
R28-1,28-2 28-3,28-4	82-769-640-01	< Resistors > Resistor block 56kΩx4
C3,16	87-015-695-01	< Capacitors > 1μF 50V Electrolytic
C12,26,33	87-015-696-01	2.2μF 50V Electrolytic
C18,19	87-015-698-01	4.7μF 50V Electrolytic
C5,11	87-015-896-01	220μF 6.3V Electrolytic
<< SUB CIRCUIT BOARD SECTION >>		
PCB-C	*	Sub circuit board
IC1,2,3	87-027-429-01	IC, TC4016BP
D1,2,3,4,5 6,7,8,9,10	87-027-097-01	Diode, IS1555
PIN5	87-032-642-01	Pin, 12P
<< JACK CIRCUIT BOARD SECTION >>		
PCB-D	*	Jack circuit board
J3	87-049-064-01	Connector ass'y 16P (REMOTE)
PIN4	87-049-068-01	Pin, 3P
<< SWITCH CIRCUIT BOARD SECTION >>		
PCB-E	*	Switch circuit board
△ S16	87-031-689-01	Push-switch (POWER)
<< MISCELLANEOUS >>		
△ T1	82-779-609-01	Power transformer (H model only)
△ T1	82-779-617-01	Power transformer (G model only)
△ S3	87-031-685-01	Rotary swith (VOLTAGE SELECTOR) (H model only)
△ J4	87-032-937-01	AC outlet (H model only)
△ J4	87-032-996-01	AC outlet (G model only)
PL1	82-779-616-01	Pilot lamp 12V 150 mA
△	87-034-957-01	AC power cord (H model only)
△	87-034-892-01	AC power cord (G model only)
L2	82-769-616-01	Bar antenna coil
	82-779-614-01	Flat cable, 7P
	82-779-613-01	Flat cable, 8P
	82-779-612-01	Flat cable 12P
△	87-085-181-01	Cord bushing (H model only)
△	87-085-166-01	Holder, AC power cord (G model only)
	87-085-182-01	Cord bushing B
CON 3	82-779-620-01	TL connector ass'y 3P
CON 4	82-779-615-01	TL connector ass'y 6P



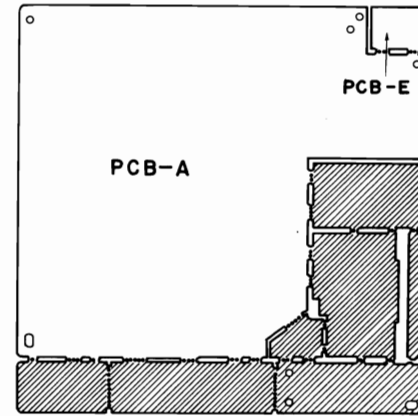
Safety component symbol

This symbol is given to important parts which serve to maintain the safety of the product, and which are made to conform to special safety specifications. Therefore, when replacing a component with this symbol, make absolutely sure that you use a designated part.

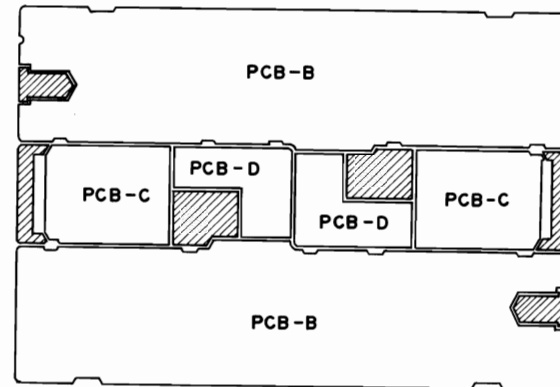
Note: Combination Circuit Board

The parts on the electrical parts list which are indicated by an asterisk (*) are supplied as one single combined circuit board. Therefore, they will not be supplied separately. If this becomes necessary, please order the entire circuit board.

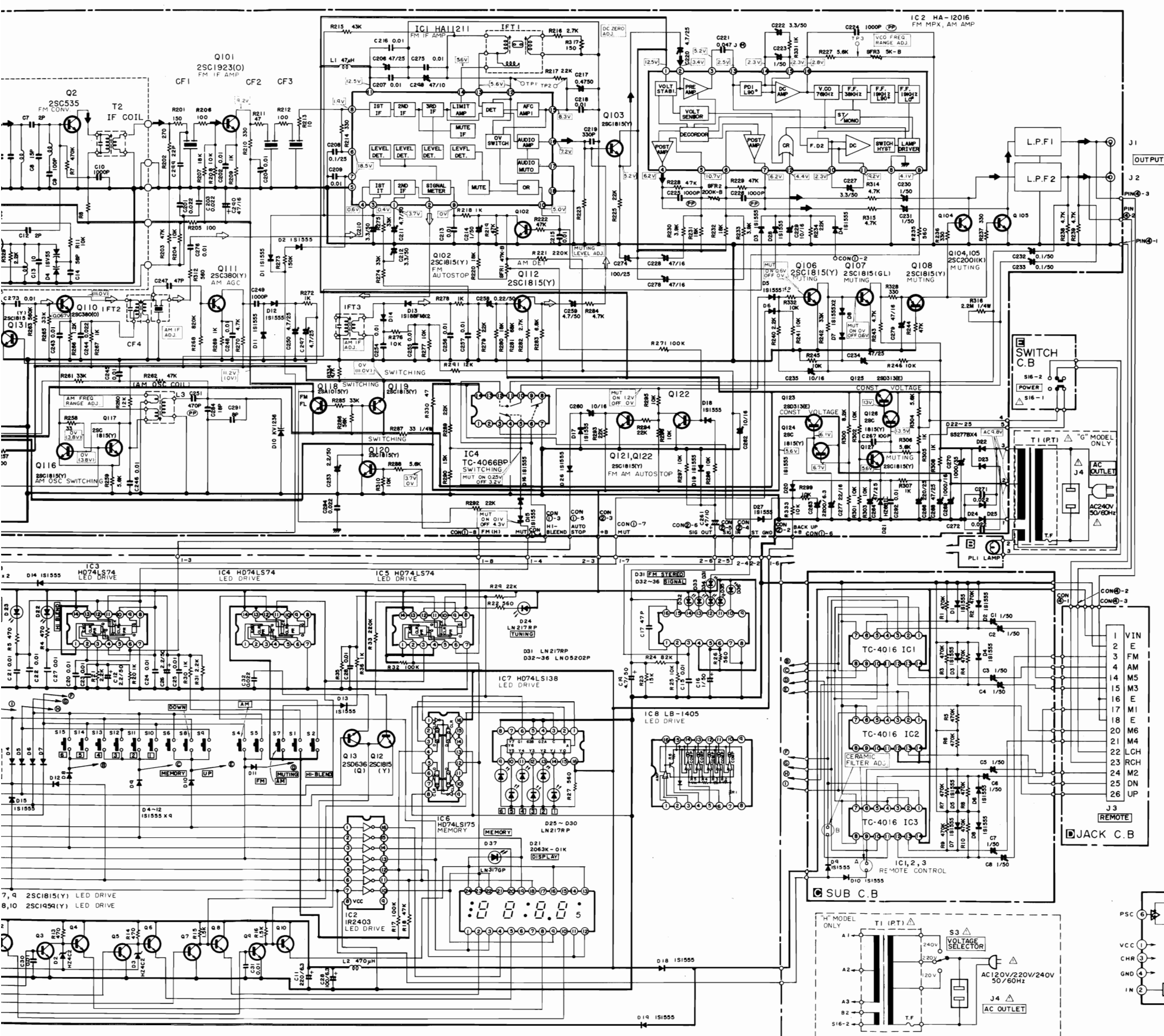
Combination circuit board A 82-773-622-21



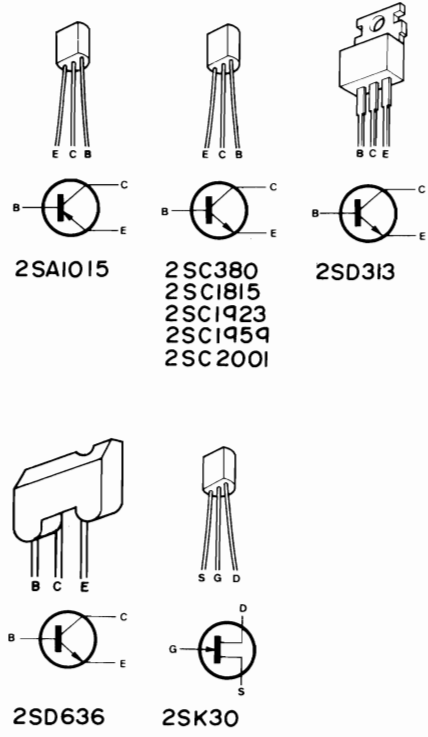
Combination circuit Board B 82-179-631-01



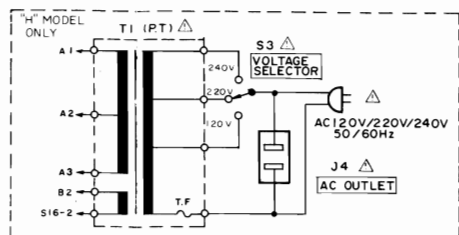
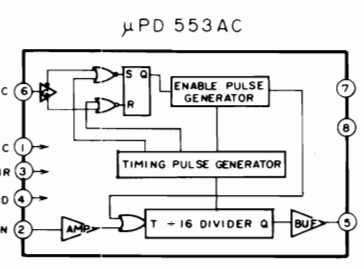
☆☆☆☆☆☆☆☆☆☆☆☆☆☆☆☆☆☆☆☆ MEMO ☆☆☆☆☆☆☆☆☆☆☆☆☆☆☆☆☆☆☆



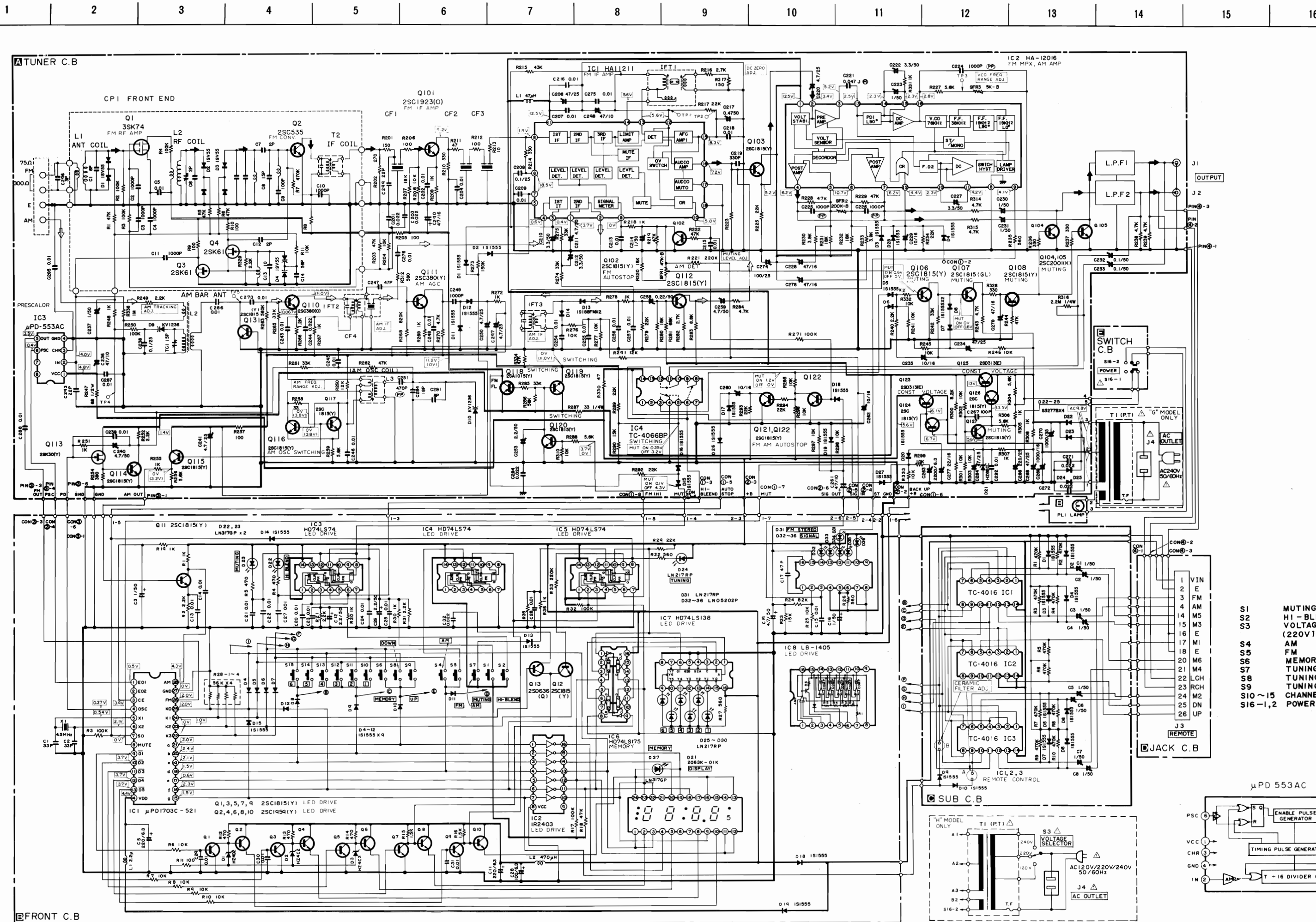
- NOTES:**
- 1) B (+) power supply
 - 2) Signal path
 - 3) The voltage is the reference value measured with a tester (20 k-ohms/V DC) when there are no signals. But () is with AM reception
 - 4) Resistors with no designation have a rated power of 1/4W and a tolerance of ±5%.
 - 5) Capacitors with no designation have a dielectric strength of less than 50WV.
 - 6) The only capacitor tolerance indicated are ±5% (J) and ±10% (K).
 - 7) Ceramic capacitor symbols:
 - For temperature compensation (SL)
 - High dielectric constant system (YY)
 - High dielectric constant system (YW, YP, YZ)
 - Semiconductor ceramic
 - 8) Explanation of symbols:
 - Mylar capacitor
 - Polypropylene film capacitor
 - Fuse resistor
 - Nonflammable resistor
- ▲ Safety component symbol
 This symbol is given to important parts which serve to maintain the safety of the product, and which are made to conform to special safety specifications. Therefore, when replacing a component with this symbol, make absolutely sure that you use a designated part.
- This schematic diagram is subject to change without notice in the interests of improved performance.



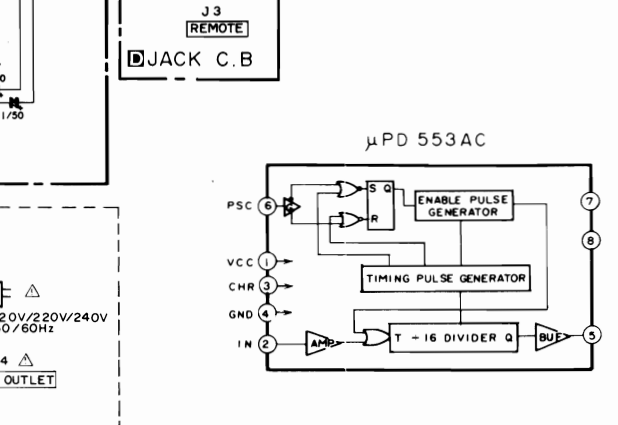
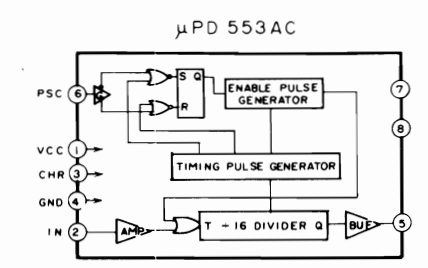
- 1 VIN
 2 E
 3 FM
 4 AM
 14 M5
 15 M3
 16 E
 17 M1
 18 E
 20 M6
 21 M4
 22 LCH
 23 RCH
 24 M2
 25 DN
 26 UP
- S1 MUTING
 S2 HI-BLEND
 S3 VOLTAGE SELECTOR (220V) (H MODEL ONLY)
- S4 AM
 S5 FM
 S6 MEMORY
 S7 TUNING
 S8 TUNING DOWN
 S9 TUNING UP
 S10~15 CHANNEL 1~6
 S16-1,2 POWER (OFF)



SCHEMATIC DIAGRAM



- S1 MUTING
- S2 HI-BLEND
- S3 VOLTAGE SELECTOR (220V) (H MODEL ONLY)
- S4 AM
- S5 FM
- S6 MEMORY
- S7 TUNING
- S8 TUNING DOWN
- S9 TUNING UP
- S10~15 CHANNEL 1~6
- S16-1,2 POWER (OFF)



NOTES (1) ■ B(+) Pattern ■ Component side pattern ■ Others pattern
 (2) The voltage is the reference value measured with a tester (20 K ohms/V) But () is with AM reception.

WIRING

1 2 3 4 5 6 7 8 9 10 11 12 13 14 15 16

A
B
C
D
E
F
G
H
I
J

AM Tracking Adjustment
 L2 603 kHz
 TC1 1,404 kHz

AM Freq. Range Adjustment
 L3 522 kHz (TP4 voltage 1.25 V)

AM IF Adjustment
 IFT2, 3 450 kHz

5. FM Distortion (STEREO) Adjustment
Settings:
 • BAND switch: FM
 • MUTING switch: OFF
 • Input signal: 98.0 MHz, 72 dB, L/R Pilot 6 kHz (E model), 10 kHz (K model)
 • Test point: TP1, 2
 • Adjustment location: FM IFT in front end
Method:
 Adjust FM IFT so that the distortion is reduce to minimum value.
Rating:
 Less than 0.3%

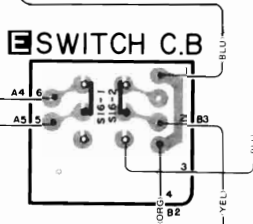
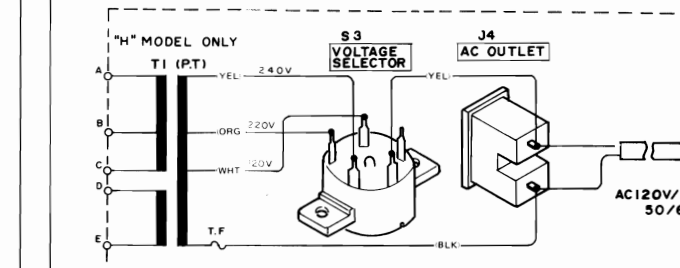
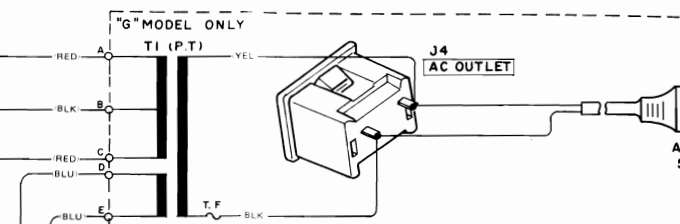
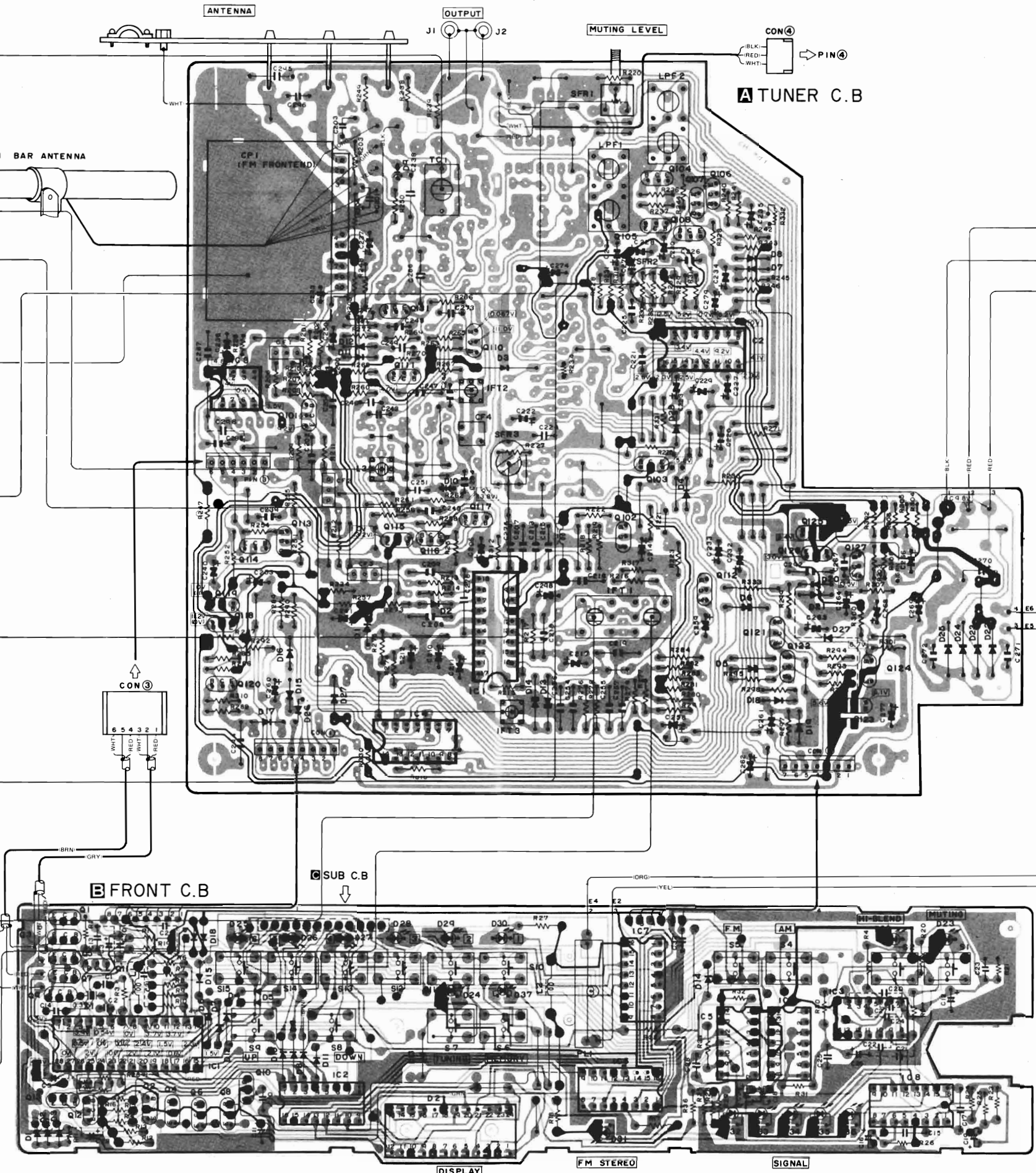
6. Muting Level Adjustment
Settings:
 • BAND switch: FM
 • MUTING switch: ON
 • Input signal: 98.0 MHz, 37 dB
 • Adjustment location: SFR1
Method:
 Set the output of the signal generator to 37 dB and adjust SFR1 so that the signal is output.
Rating:
 25 dB

3. FM V.C.O. Adjustment
Settings:
 • BAND switch: FM
 • MADE switch: STEREO
 • MUTING switch: OFF
 • Test point: TP3
 • Adjustment location: SFR3
Method:
 Adjust so that the frequency at the test points is 76 ± 0.08 kHz.

4. FM Separation Adjustment
Settings:
 • BAND switch: FM
 • MODE switch: STEREO
 • HI-BLEND switch: OFF
 • MUTING switch: OFF
 • Input signal: 98 MHz, 72 dB
 • Test point: Output jack
 • Adjustment location: SFR2
Method:
 Adjust so that the separation at the test points is at its maximum.
Rating:
 More than 40 dB

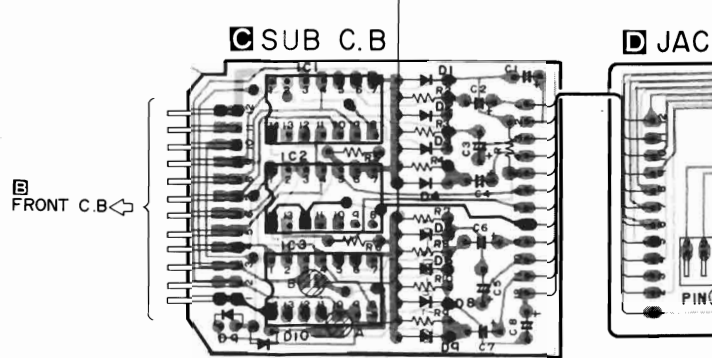
1. DC Zero Adjustment
Settings:
 • BAND switch: FM
 • MUTING switch: OFF
 • Test point: TP1, 2
 • Adjustment location: IFT1, A
Method:
 Pointer of DC V.T.V.M. is oscillated right and left. Adjust IFT1 so that pointer "0" center.
Rating:
 0 ± 50 mV

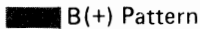

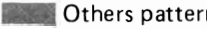
2. FM Distortion (MONO) Adjustment
Settings:
 • BAND switch: FM
 • MODE switch: MONO
 • MUTING switch: OFF
 • Input signal: 98.0 MHz, 72 dB, MOD. 40 kHz (E model), 75 kHz (K model)
 • Test point: TP1, 2
 • Adjustment location: IFT1, B
Method:
 Adjust IFT1 so that the distortion is reduce to minimum value.
Rating:
 Less than 0.15%

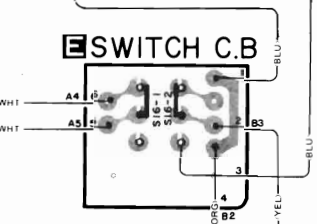
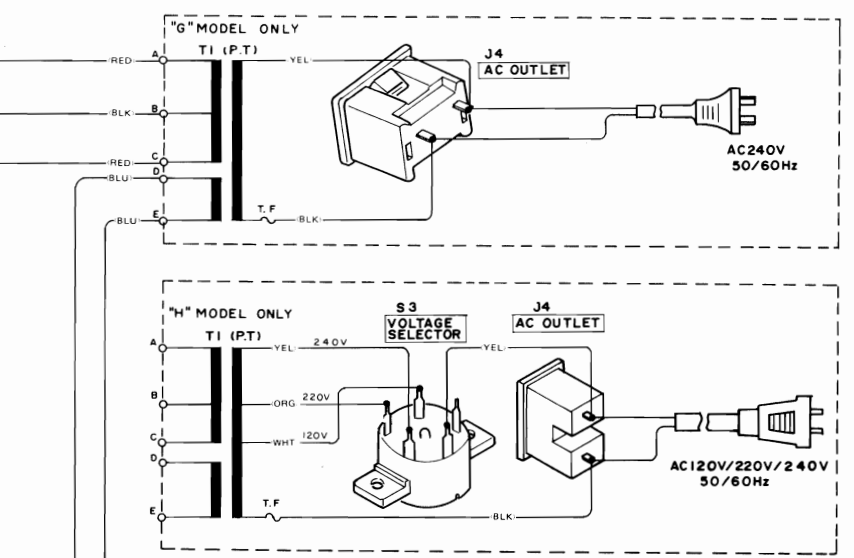
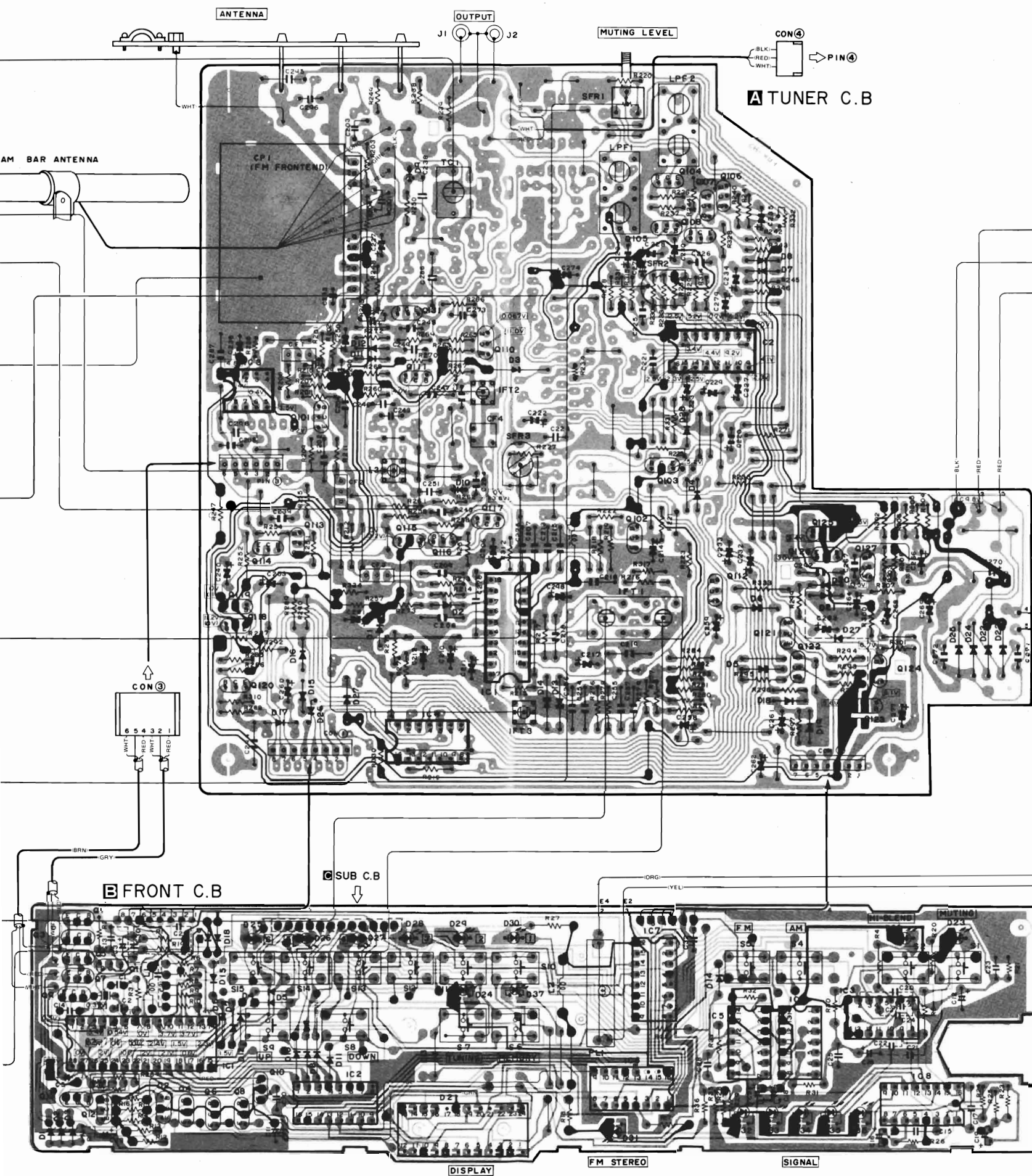
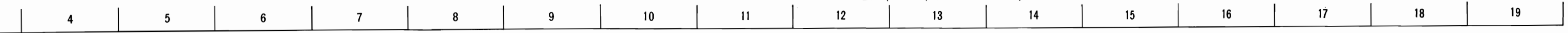


7. Ceramic Filter Adjustment

Color of CF1,2,3	A	B
Red (10,700 MHz)	Open	Open
Blue (10,675)	Connect	Connect
Orange (10,725 MHz)	Open	Connect

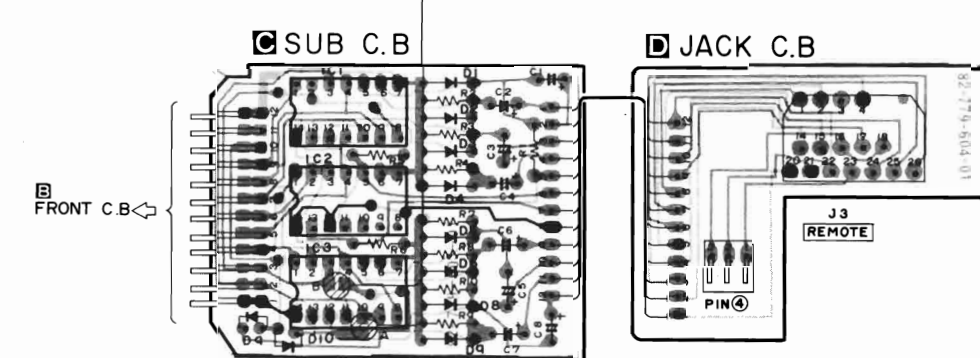


- NOTES (1)  Pattern  Component side pattern  Others pattern
 (2) The voltage is the reference value measured with a tester (20 K ohms/V DC) when there are no signals.
 But () is with AM reception.



7. Ceramic Filter Adjustment

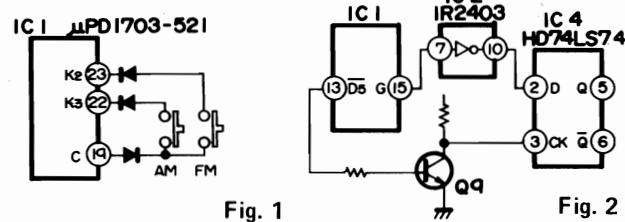
Color of CF1,2,3	A	B
Red (10,700 MHz)	Open	Open
Blue (10,675)	Connect	Connect
Orange (10,725 MHz)	Open	Connect



Circuit description classified by symptom

Model ST-R80

1. FM/AM selection



The units is set to AM when the signal from pin 19 of IC1 μ PD1703-521 enters pin 22, and set to FM when it enters pin 23. The signal output from pin 13 as the IC1 output enters IC4 (D flip-flop IC) pin 3 via Q9. The output of pin 15 enters IC4 terminal 2 via IC2 (inverter IC). The input and output of IC4 are as shown in figure 3.

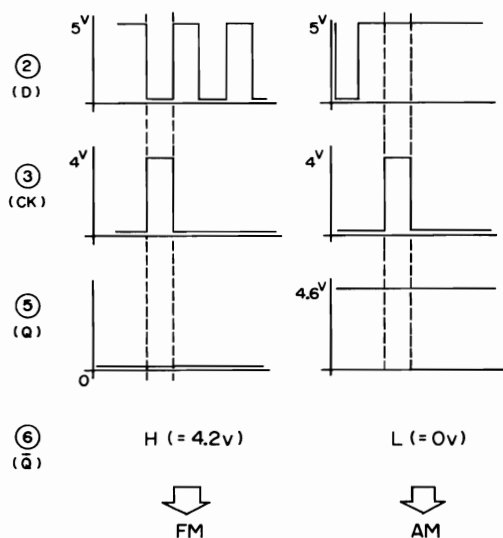


Fig. 3

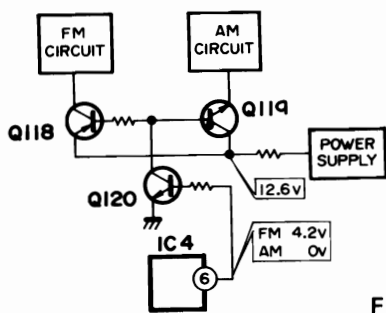


Fig. 4

IC4 pin 6 is set to 4.2 V during the FM mode, so Q120 Q118 are set to ON and 10 V is supplied to the FM circuit. IC pin 6 is set to 0 V during the AM mode, so Q119 is set to ON and 10 V is applied to the AM circuit.

2. AUTO/MANUAL selection

2-1 AUTO/MANUAL section

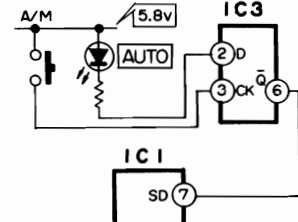


Fig. 5

IC3 pin 6 is set to 0 V when power is supplied and the AUTO: indicator lamp lights. When the AUTO/MANUAL button is pressed next, since IC3 is the D flip-flop, pin 6 is set to 4.4 V, the "AUTO" indicator lamp goes off and at the same time 4.0 V is applied to IC1 pin 7 so that manual tuning becomes possible.

2-2 Auto stop

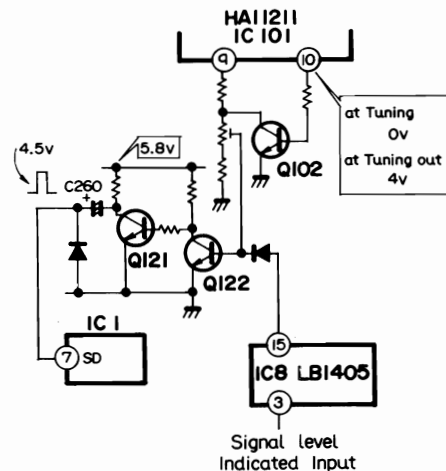


Fig. 6

When set to auto tuning, IC101 (HA11211) pin 10 is set to 0 V, so Q102 is OFF and the following operation is done by the output of pin 9. When the sum of the output of IC101 pin 9 and IC8 (signal level indicator IC) is sufficient, Q122 is set to ON, Q121 to OFF and a pulse is generated at C260 and applied to IC1 pin 7, and Auto-stop is applied. The voltage at this pin 7 is 1 ~ 3 V measured by a tester when it is tuned.

3. Muting circuit

3-1 During button operation

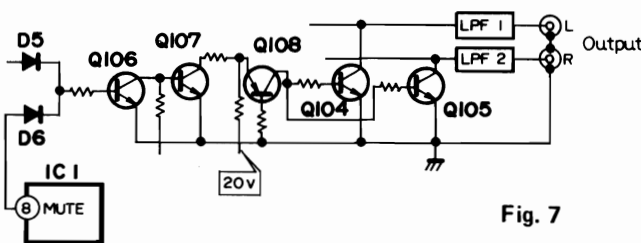


Fig. 7

When Q106 is set to ON, muting is applied.

3-2 MUTE button ON/OFF operation

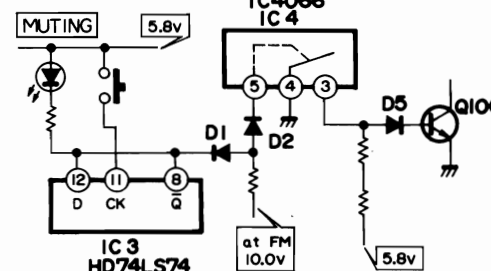


Fig. 8

When power is applied, IC3 pin 8 is set to 0 V, the MUTING indicator lamp lights and D1 is set to ON, so no voltage is applied to IC4 terminal 5, and the switch between pin 3 and 4 is open. As a result, 1.5 V is applied to D5 anode and the unit enters the MUTING ON mode.

4. Hi-blend ON/OFF operation

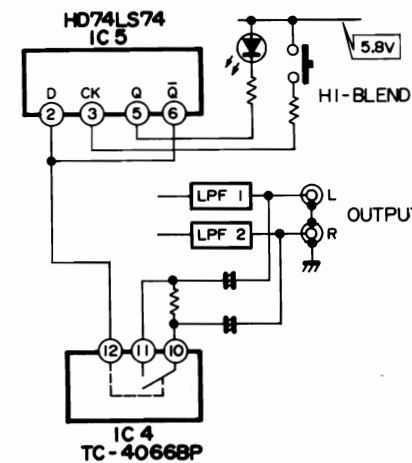


Fig. 9

When the HI-BLEND button is pressed, 4.4 V is applied to IC4 pin 12 and HI-BLEND is applied.

5. Memory indicator lighting

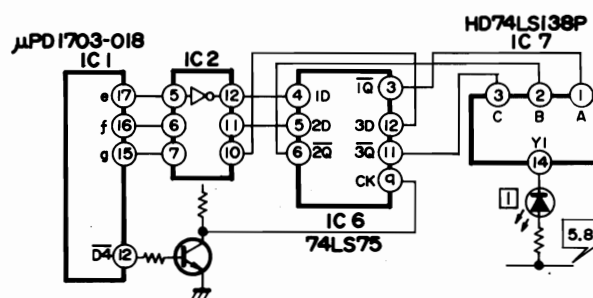


Fig. 10

IC6 is also a D flip-flop. When data (1D, 2D, 3D) is present when CLOCK (CK) is applied, they pass through it and appear as outputs (1Q, 2Q, 3Q). IC7 interprets this 3-bit signal. For example, this is how memory (1) lights (figure 11).

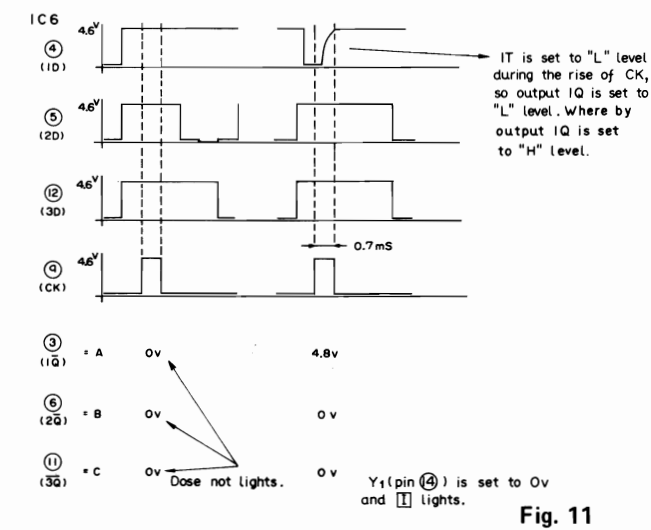


Fig. 11

6. Repairing

The difficulty of repairing the synthesizer tuner is that a no variable capacitor is provided, so whether the controller or radio is wrong cannot be judged easily. The following troubleshooting method is convenient:

6-1 Cutting off muting

It is recommended to cut off muting by removing R244 (47 k Ω).

6-2 Applying tuning voltage from outside

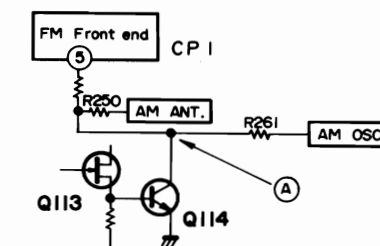


Fig. 12

It is designed so that tuning is possible by means of the voltage change (approx. 1.5 V ~ 7.0 V) at point A (figure 12) in both FM and AM.

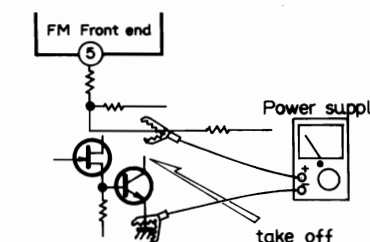


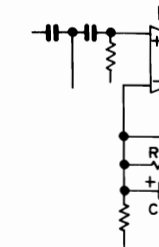
Fig. 13

Supply the as shown in The radio controller s When no m order.

Refer 87.5 M 954 k

Model SA-C

7. DSL I/II



DSL I an changed a about 40

Model SA-P

8. Protection

When an short-circu ween Q11 and 0.75

2. AUTO/MANUAL selection

2-1 AUTO/MANUAL section

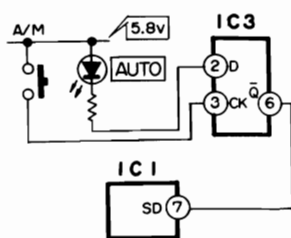


Fig. 5

IC3 pin 6 is set to 0 V when power is supplied and the AUTO: indicator lamp lights. When the AUTO/MANUAL button is pressed next, since IC3 is the D flip-flop, pin 6 is set to 4.4 V, the "AUTO" indicator lamp goes off and at the same time 4.0 V is applied to IC1 pin 7 so that manual tuning becomes possible.

2-2 Auto stop

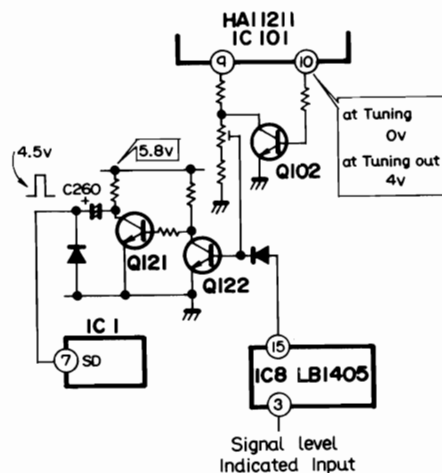


Fig. 6

When set to auto tuning, IC101 (HA11211) pin 10 is set to 0 V, so Q102 is OFF and the following operation is done by the output of pin 9.

When the sum of the output of IC101 pin 9 and IC8 (signal level indicator IC) is sufficient, Q122 is set to ON, Q121 to OFF and a pulse is generated at C260 and applied to IC1 pin 7, and Auto-stop is applied.

The voltage at this pin 7 is 1 ~ 3 V measured by a tester when it is tuned.

3. Muting circuit

3-1 During button operation

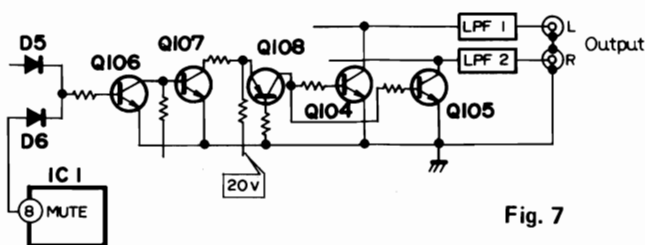


Fig. 7

When Q106 is set to ON, muting is applied.

When the FM/AM select button or the UP/DOWN button is pressed, 4.2 V is output to IC1 pin 8 and muting is applied.

3-2 MUTE button ON/OFF operation

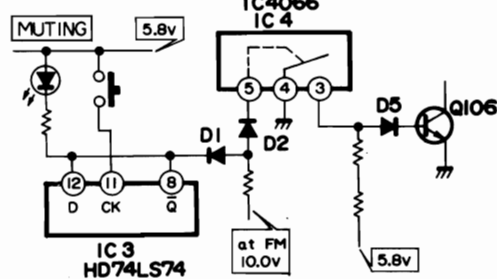


Fig. 8

When power is applied, IC3 pin 8 is set to 0 V, the MUTING indicator lamp lights and D1 is set to ON, so no voltage is applied to IC4 terminal 5, and the switch between pin 3 and 4 is open. As a result, 1.5 V is applied to D5 anode and the unit enters the MUTING ON mode.

4. Hi-blend ON/OFF operation

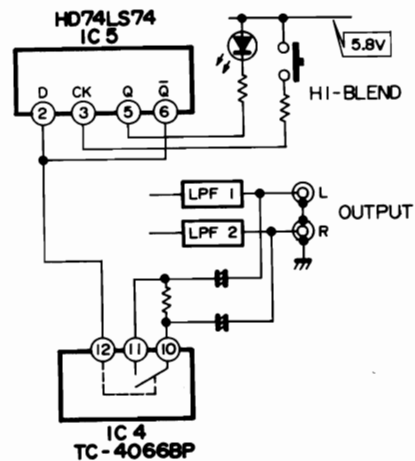


Fig. 9

When the HI-BLEND button is pressed, 4.4 V is applied to IC4 pin 12 and HI-BLEND is applied.

5. Memory indicator lighting

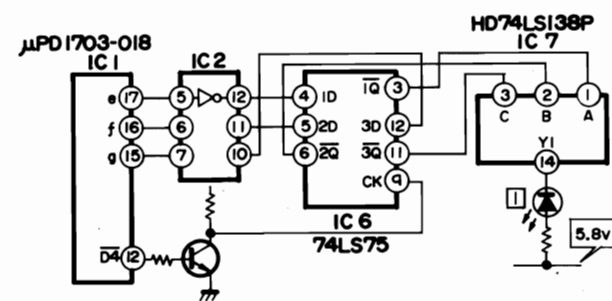


Fig. 10

IC6 is also a D flip-flop. When data (1D, 2D, 3D) is present when CLOCK (CK) is applied, they pass through it and appear as outputs (1Q, 2Q, 3Q).

IC7 interprets this 3-bit signal.

For example, this is how memory (1) lights (figure 11).

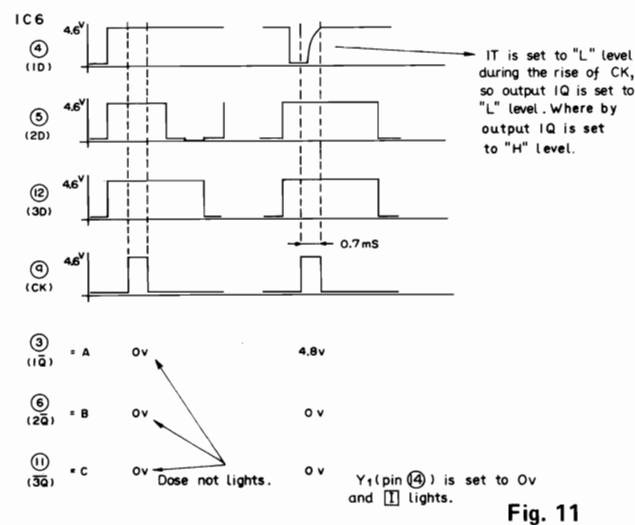


Fig. 11

6. Repairing

The difficulty of repairing the synthesizer tuner is that a no variable capacitor is provided, so whether the controller or radio is wrong cannot be judged easily.

The following troubleshooting method is convenient:

6-1 Cutting off muting

It is recommended to cut off muting by removing R244 (47 kΩ).

6-2 Applying tuning voltage from outside

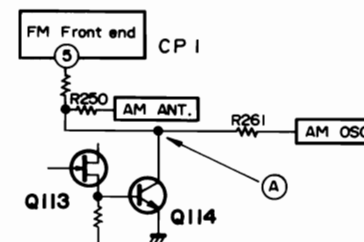


Fig. 12

It is designed so that tuning is possible by means of the voltage change (approx. 1.5 V ~ 7.0 V) at point A (figure 12) in both FM and AM.

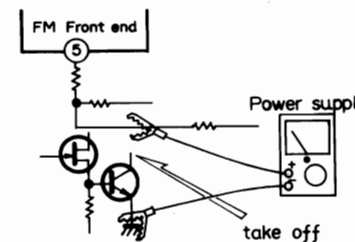


Fig. 13

Supply the voltage from outside after detaching Q114 collector as shown in Figure 13.

The radio section is normal when reception is possible (see controller section).

When no noise occurs, the radio can be judged to be out of order.

Reference value at point A

87.5 MHz approx. 1.5 V

954 kHz approx. 3.9 V

Model SA-C80

7. DSL I/II selection

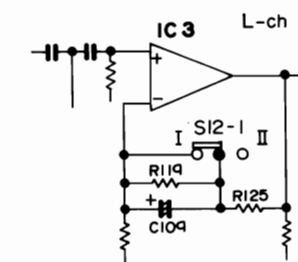


Fig. 14

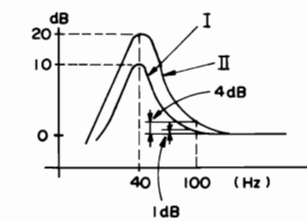


Fig. 15

DSL I and II are : NF amount and frequency response are changed as shown in the figure 14, and overall differences as about 40 Hz and 100 Hz are as shown in figure 15.

Model SA-P80

8. Protection circuit when over-current is applied

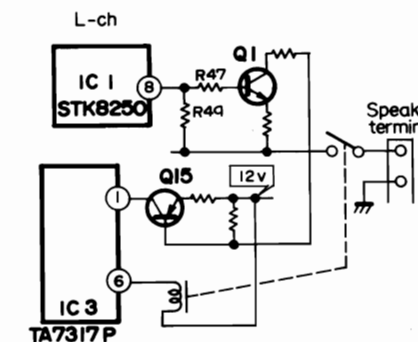


Fig. 16

When an accident such as the speaker terminals being level short-circuited with GND, a potential difference occurs between Q11 base and emitter, so Q11 is set to ON, Q15 to ON and 0.75 V is applied to IC3 pin 1 and the relay is released.

ELECTRICAL MAIN PARTS LIST=SA-C80H,G

Symbol No.	Part No.	Description
<< MAIN CIRCUIT BOARD SECTION >>		
PCB-A	*	Main circuit board
IC1,3	87-027-629-01	IC, 4558DX
IC2	87-027-814-01	IC, NJM4562D-D
Q1,2,3,4	89-110-847-91	Transistor, 2SA1084 (E1-E3)
Q5,6,11,13,14	89-309-456-01	Transistor, 2SC945L (P)
Q7,8	89-320-011-01	Transistor, 2SC2001 (K)
Q9	89-304-954-01	Transistor, 2SC495 (Y)
Q10	89-105-054-01	Transistor, 2SA505 (Y)
Q12	89-107-336-01	Transistor, 2SA733 (P)
D1,2,3,4	87-027-219-01	Diode, MA150
D5,6	87-027-469-01	Zener diode, HZ162
D11,12	87-027-393-01	Zener diode, HZ4C2
D21,22	87-027-323-01	Zener diode, HZ22-2L
D23	87-027-376-01	Diode, 1B4B41
D30,31	87-027-365-01	Diode, S5277B
D32,33	87-027-097-01	Diode, 1S1555
J1~14	82-780-624-01	Pin jack, 14P (PHONO, AUX, TAPE 2 PLAY, TUNER, TAPE 1 REC, TAPE 1 PLAY, OUTPUT)
VR2	87-021-686-01	Volume, 250kΩ - W,D (BALANCE)
VR3	87-021-683-01	Volume, 50kΩ - 0 (TREBLE)
VR4	87-021-682-01	Volume, 50kΩ - S (BASS)
S1~6	82-780-620-01	Push-switch (FUNCTION)
S7~12	82-780-621-11	Push-switch (DSL I/II, LOW FILTER, MODE, LOUDNESS, MUTING)
S13	87-031-549-01	Push-switch (POWER) (H model only)
S13	87-031-560-01	Push-switch (POWER)(G model only)
RY1	87-045-134-01	Relay, 22AS
PIN	87-032-641-01	Pin, 11P
< Resistors >		
R254	87-025-154-01	270Ω 1W Metal film resistor
R21,22	87-025-274-01	82Ω ¼W Metal film resistor
R19,20	87-025-280-01	3.9kΩ ¼W Metal film resistor
R17,18	87-025-288-01	47kΩ ¼W Metal film resistor
< Capacitors >		
C3,4	87-015-643-01	2.2μF 50V Electrolytic LL
C17,18	87-015-640-01	3300μF 6.3V Electrolytic SM
C13,14	87-014-122-01	0.018μF PP
C11,12	87-014-123-01	0.068μF PP
C180	87-019-112-01	0.01μF Spark killer
<< VOLUME CIRCUIT BOARD SECTION >>		
PCB-B	*	Volume circuit board
VR1	87-021-685-01	Volume, 100 kΩ - B, D (VOLUME)
<< LED CIRCUIT BOARD SECTION >>		
PCB-C	*	LED circuit board
D1~6	87-027-543-01	LED, LN317GP
<< POWER CIRCUIT BOARD SECTION >>		
PCB-D	*	Power circuit board (H model only)
PCB-D	*	Power circuit board (G model only)
J15,16	87-032-937-01	AC outlet (H model only)
J15,16	87-032-996-01	AC outlet (G model only)
S15	87-031-551-01	Rotary switch (VOLTAGE SELECTOR) (H model only)

Symbol No.	Part No.	Description
C190	87-019-112-01	< Capacitor > 0.01μF Spark killer
<< MISCELLANEOUS >>		
T1	82-780-605-01	Power transformer (H model only)
T1	82-780-603-01	Power transformer (G model only)
	87-034-956-01	AC power cord (H model only)
	87-034-892-01	AC power cord (G model only)
	87-085-181-01	Cord bushing (H model only)
	87-085-166-01	Holder, AC power cord (G model only)
PL1	82-780-626-01	Pilot lamp

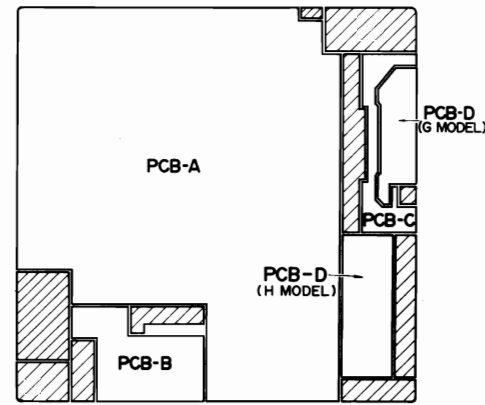
▲ Safety component symbol

This symbol is given to important parts which serve to maintain the safety of the product, and which are made to conform to special safety specifications. Therefore, when replacing a component with this symbol, make absolutely sure that you use a designated part.

Note: Combination Circuit Board

The parts on the electrical parts list which are indicated by an asterisk (*) are supplied as one single combined circuit board. Therefore, they will not be supplied separately. If this becomes necessary, please order the entire circuit board.

Combination circuit board 82-780-611-01



ELECTRICAL MAIN PARTS LIST=SA-P80H,G

Symbol No.	Part No.	Description
<< MAIN CIRCUIT BOARD SECTION >>		
PCB-A	*	Main circuit board
IC1,2	87-027-789-01	IC, STK-8250
IC3	87-027-379-01	IC, TA7317P
Q11,12	89-309-456-01	Transistor, 2SC945L(P)
Q13	89-109-654-01	Transistor, 2SA965 (Y)
Q14	89-322-354-01	Transistor, 2SC2235 (Y)
Q15	89-107-336-01	Transistor, 2SA733 (P)
D13,14,64	87-027-219-01	Diode, MA150
65		
D33	87-027-365-01	Diode, S5277B
D85,88	87-027-323-01	Zener diode, HZ22-2L
D86,87	87-027-322-01	Zener diode, HZ18-2
D89,90,91,92	87-027-626-01	Diode, S5277D
D93	87-027-788-01	Diode, D5FB20
D94	87-027-376-01	Diode, 1B4B41
L1,2	82-499-639-01	Inductor coil, 1μH
SFR5	87-021-698-01	Semi-fixed resistor, 47kΩ-B
RY1	87-045-168-01	Relay, G4D-12V
PIN-1	82-481-649-01	Pin, 2P
PIN-2	87-032-897-01	Pin, 3P
< Resistors >		
R141	87-029-066-01	1.5Ω Fuse resistor
R167,168,169,170	87-029-114-01	4.7Ω Fuse resistor
R59,60	87-025-318-01	10Ω Metal film resistor
R61,62	87-025-193-01	10Ω Metal film resistor
R65,66	87-025-055-01	270Ω Metal film resistor
R49,50	87-025-246-01	0.33Ω Cement resistor
< Capacitors >		
C119,120	87-015-916-01	22μF 100V Electrolytic
C115,116	87-015-914-01	47μF 100V Electrolytic
C121,122	87-015-894-01	15000μF 50V Electrolytic
C58,60	87-015-639-01	47μF 10V Electrolytic, BP
<< DRIVER (Lch) CIRCUIT BOARD SECTION >>		
PCB-B	*	Driver (Lch) circuit board
Q1	89-501-505-01	FET, 2SK150GR
Q3	89-309-456-01	Transistor, 2SC945L (P)
Q5	89-315-834-01	Transistor, 2SC1583 (F)
Q7	89-111-246-01	Transistor, 2SA1124 (R)
Q9	89-326-326-01	Transistor, 2SC2632 (R)
D1	87-027-323-01	Zener diode, HZ22-2L
D3	87-027-469-01	Zener diode, HZ16-2
D5,9	87-027-219-01	Diode, MA150
D7	87-027-475-01	Zener diode, HZ-6B1
SFR1	87-021-559-01	Semi-fixed resistor, 100Ω-B
SFR3	87-021-694-01	Semi-fixed resistor, 10kΩ-B
< Capacitor >		
C39	87-015-141-01	10μF 16V Electrolytic, BP
<< DRIVER (Rch) CIRCUIT BOARD SECTION >>		
PCB-C	*	Driver (Rch) circuit board
Q2	89-501-505-01	FET, 2SK150GR
Q4	89-309-456-01	Transistor, 2SC945L (P)
Q6	89-315-834-01	Transistor, 2SC1583 (F)
Q8	89-111-246-01	Transistor, 2SA1124 (R)
Q10	89-326-326-01	Transistor, 2SC2632 (R)
D2	87-027-323-01	Zener diode, HZ22-2L
D4	87-027-469-01	Zener diode, HZ16-2
D6,10	87-027-219-01	Diode, MA150
D8	87-027-475-01	Zener diode, HZ-6B1
SFR2	87-021-559-01	Semi-fixed resistor, 100Ω-B
SFR4	87-021-694-01	Semi-fixed resistor, 10kΩ-B

Symbol No.	Part No.	Description
C40	87-015-141-01	< Capacitor > 10μF 16V Electrolytic, BP
<< LED CIRCUIT BOARD SECTION >>		
PCB-D	*	LED circuit board
IC4	87-027-816-01	IC, LB1409
Q16	89-405-712-01	Transistor, 2SD571 (L)
D52	87-027-732-01	LED, SG-235D
D53,54,55,56,57,58,59,60,61	87-027-731-01	LED, SR-535D
D62,63	87-027-219-01	Diode, MA150
PIN	87-032-636-01	Pin, 6P
<< POWER CIRCUIT BOARD SECTION >>		
PCB-E	*	Power circuit board
S3	87-031-552-01	Push-switch (POWER)
< Capacitor >		
C127	87-019-112-01	0.01μF Spark killer
<< SWITCH CIRCUIT BOARD SECTION >>		
PCB-F	*	Switch circuit board
S1,2	82-781-624-01	Push-switch (SPEAKERS A, B)
<< JACK CIRCUIT BOARD-1 SECTION >>		
PCB-G	*	Jack circuit board-1
J3	87-032-979-01	Jack, 6.3φ (PHONES)
PIN	87-032-638-01	Pin, 8P
<< JACK CIRCUIT BOARD-2 SECTION >>		
PCB-H	*	Jack circuit board-2
J1,2	82-781-623-01	Pin jack, 2P (INPUT)
	82-774-648-01	Speaker terminal, 8P
<< VOLTAGE SELECTOR CIRCUIT BOARD SECTION >>		
= H model only		
PCB-I	82-749-620-01	Voltage selector circuit board
S4	87-031-551-01	Rotary switch (VOLTAGE SELECTOR)
F1	87-035-312-01	Fuse, 7A
	87-098-079-01	Fuse label, 7A
	87-033-147-01	Fuse clamp
<< MISCELLANEOUS >>		
T1	82-781-603-01	Power transformer (H model only)
T1	82-781-606-01	Power transformer (G model only)
	87-034-957-01	AC power cord (H model only)
	87-034-948-01	AC power cord (G model only)
F1	87-035-190-01	Fuse, "T" 2A (G model only)
	87-098-019-01	Fuse label, "T" 2A (G model only)
	87-085-181-01	Cord bushing (H model only)
	87-085-166-01	Holder, AC power cord (G model only)
	87-033-161-01	Fuse holder, 1P (G model only)
	87-033-140-01	Splice connector (H model only)

▲ Safety component symbol

This symbol is given to important parts which serve to maintain the safety of the product, and which are made to conform to special safety specifications. Therefore, when replacing a component with this symbol, make absolutely sure that you use a designated part.

OH,G

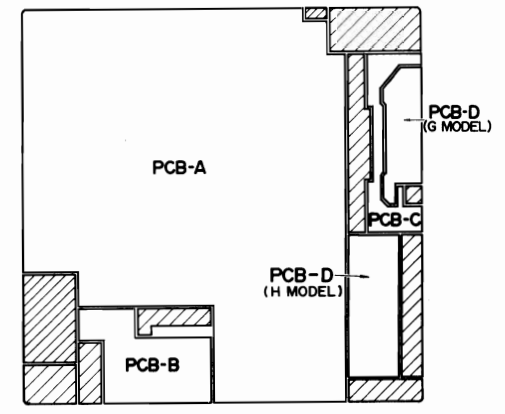
ELECTRICAL MAIN PARTS LIST= SA-P80H,G

Symbol No.	Part No.	Description
		< Capacitor >
△ C190	87-019-112-01	0.01μF Spark killer
≪ MISCELLANEOUS ≫		
△ T1	82-780-605-01	Power transformer (H model only)
△ T1	82-780-603-01	Power transformer (G model only)
△	87-034-956-01	AC power cord (H model only)
△	87-034-892-01	AC power cord (G model only)
△	87-085-181-01	Cord bushing (H model only)
△	87-085-166-01	Holder, AC power cord (G model only)
PL1	82-780-626-01	Pilot lamp

△ Safety component symbol
This symbol is given to important parts which serve to maintain the safety of the product, and which are made to conform to special safety specifications. Therefore, when replacing a component with this symbol, make absolutely sure that you use a designated part.

Note; Combination Circuit Board
The parts on the electrical parts list which are indicated by an asterisk (*) are supplied as one single combined circuit board. Therefore, they will not be supplied separately. If this becomes necessary, please order the entire circuit board.

Combination circuit board 82-780-611-01



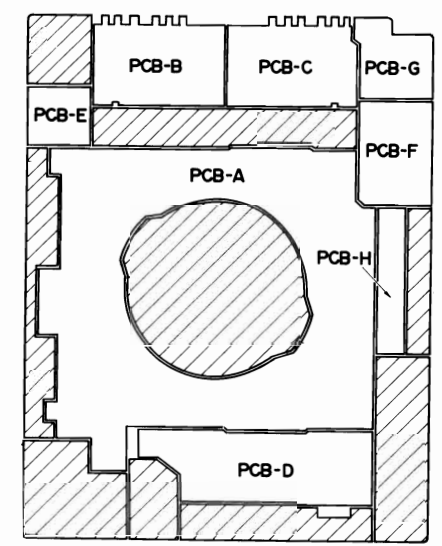
Symbol No.	Part No.	Description
≪ MAIN CIRCUIT BOARD SECTION ≫		
	*	Main circuit board
PCB-A		
IC1,2	87-027-789-01	IC, STK-8250
IC3	87-027-379-01	IC, TA7317P
Q11,12	89-309-456-01	Transistor, 2SC945L(P)
Q13	89-109-654-01	Transistor, 2SA965 (Y)
Q14	89-322-354-01	Transistor, 2SC2235 (Y)
Q15	89-107-336-01	Transistor, 2SA733 (P)
D13,14,64	87-027-219-01	Diode, MA150
65		
D33	87-027-365-01	Diode, S5277B
D85,88	87-027-323-01	Zener diode, HZ22-2L
D86,87	87-027-322-01	Zener diode, HZ18-2
D89,90,91,	87-027-626-01	Diode, S5277D
92		
D93	87-027-788-01	Diode, D5FB20
D94	87-027-376-01	Diode, 1B4B41
L1,2	82-499-639-01	Inductor coil, 1μH
SFR5	87-021-698-01	Semi-fixed resistor, 47kΩ-B
RY1	87-045-168-01	Relay, G4D-12V
PIN-1	82-481-649-01	Pin, 2P
PIN-2	87-032-897-01	Pin, 3P
< Resistors >		
△ R141	87-029-066-01	1.5Ω Fuse resistor
△ R167,168,169,	87-029-114-01	4.7Ω Fuse resistor
170		
R59,60	87-025-318-01	10Ω Metal film resistor
R61,62	87-025-193-01	10Ω Metal film resistor
R65,66	87-025-055-01	270Ω Metal film resistor
R49,50	87-025-246-01	0.33Ω Cement resistor
< Capacitors >		
C119,120	87-015-916-01	22μF 100V Electrolytic
C115,116	87-015-914-01	47μF 100V Electrolytic
C121,122	87-015-894-01	15000μF 50V Electrolytic
C58,60	87-015-639-01	47μF 10V Electrolytic, BP
≪ DRIVER (Lch) CIRCUIT BOARD SECTION ≫		
PCB-B	*	Driver (Lch) circuit board
Q1	89-501-505-01	FET, 2SK150GR
Q3	89-309-456-01	Transistor, 2SC945L (P)
Q5	89-315-834-01	Transistor, 2SC1583 (F)
Q7	89-111-246-01	Transistor, 2SA1124 (R)
Q9	89-326-326-01	Transistor, 2SC2632 (R)
D1	87-027-323-01	Zener diode, HZ22-2L
D3	87-027-469-01	Zener diode, HZ16-2
D5,9	87-027-219-01	Diode, MA150
D7	87-027-475-01	Zener diode, HZ-6B1
SFR1	87-021-559-01	Semi-fixed resistor, 100Ω-B
SFR3	87-021-694-01	Semi-fixed resistor, 10kΩ-B
< Capacitor >		
C39	87-015-141-01	10μF 16V Electrolytic, BP
≪ DRIVER (Rch) CIRCUIT BOARD SECTION ≫		
PCB-C	*	Driver (Rch) circuit board
Q2	89-501-505-01	FET, 2SK150GR
Q4	89-309-456-01	Transistor, 2SC945L (P)
Q6	89-315-834-01	Transistor, 2SC1583 (F)
Q8	89-111-246-01	Transistor, 2SA1124 (R)
Q10	89-326-326-01	Transistor, 2SC2632 (R)
D2	87-027-323-01	Zener diode, HZ22-2L
D4	87-027-469-01	Zener diode, HZ16-2
D6,10	87-027-219-01	Diode, MA150
D8	87-027-475-01	Zener diode, HZ-6B1
SFR2	87-021-559-01	Semi-fixed resistor, 100Ω-B
SFR4	87-021-694-01	Semi-fixed resistor, 10kΩ-B

Symbol No.	Part No.	Description
		< Capacitor >
C40	87-015-141-01	10μF 16V Electrolytic, BP
≪ LED CIRCUIT BOARD SECTION ≫		
PCB-D	*	LED circuit board
IC4	87-027-816-01	IC, LB1409
Q16	89-405-712-01	Transistor, 2SD571 (L)
D52	87-027-732-01	LED, SG-235D
D53,54,55,56,	87-027-731-01	LED, SR-535D
57,58,59,60,		
61		
D62,63	87-027-219-01	Diode, MA150
PIN	87-032-636-01	Pin, 6P
≪ POWER CIRCUIT BOARD SECTION ≫		
△ PCB-E	*	Power circuit board
△ S3	87-031-552-01	Push-switch (POWER)
< Capacitor >		
△ C127	87-019-112-01	0.01μF Spark killer
≪ SWITCH CIRCUIT BOARD SECTION ≫		
PCB-F	*	Switch circuit board
S1,2	82-781-624-01	Push-switch (SPEAKERS A, B)
≪ JACK CIRCUIT BOARD-1 SECTION ≫		
PCB-G	*	Jack circuit board-1
J3	87-032-979-01	Jack, 6.3φ (PHONES)
PIN	87-032-638-01	Pin, 8P
≪ JACK CIRCUIT BOARD-2 SECTION ≫		
PCB-H	*	Jack circuit board-2
J1,2	82-781-623-01	Pin jack, 2P (INPUT)
	82-774-648-01	Speaker terminal, 8P
≪ VOLTAGE SELECTOR CIRCUIT BOARD SECTION ≫		
= H model only		
△ PCB-I	82-749-620-01	Voltage selector circuit board
△ S4	87-031-551-01	Rotary switch (VOLTAGE SELECTOR)
△ F1	87-035-312-01	Fuse, 7A
	87-098-079-01	Fuse label, 7A
	87-033-147-01	Fuse clamp
≪ MISCELLANEOUS ≫		
△ T1	82-781-603-01	Power transformer (H model only)
△ T1	82-781-606-01	Power transformer (G model only)
△	87-034-957-01	AC power cord (H model only)
△	87-034-948-01	AC power cord (G model only)
△ F1	87-035-190-01	Fuse, "T" 2A (G model only)
	87-098-019-01	Fuse label, "T" 2A (G model only)
△	87-085-181-01	Cord bushing (H model only)
△	87-085-166-01	Holder, AC power cord (G model only)
△	87-033-161-01	Fuse holder, 1P (G model only)
△	87-033-140-01	Splice connector (H model only)

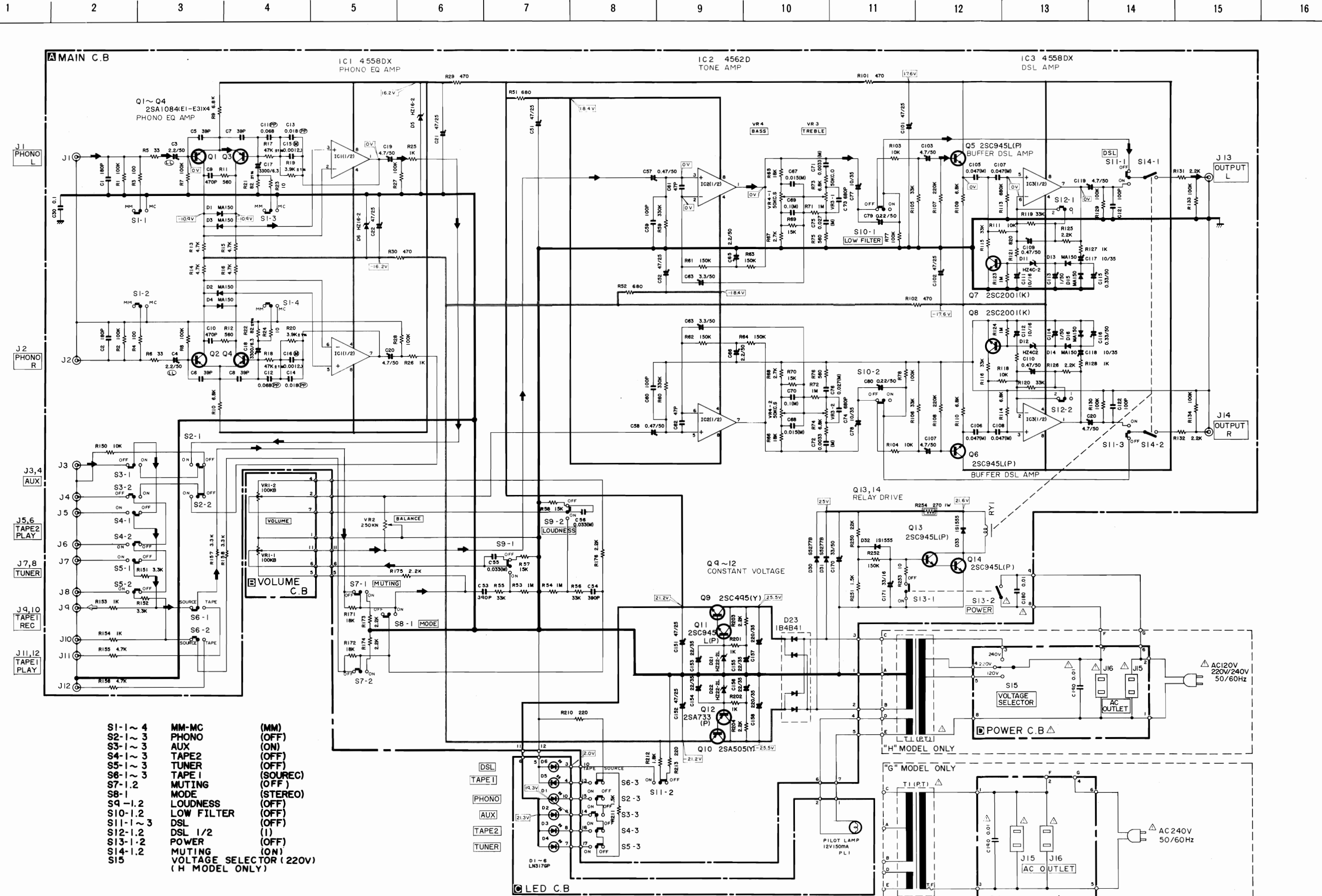
△ Safety component symbol
This symbol is given to important parts which serve to maintain the safety of the product, and which are made to conform to special safety specifications. Therefore, when replacing a component with this symbol, make absolutely sure that you use a designated part.

Note; Combination Circuit Board
The parts on the electrical parts list which are indicated by an asterisk (*) are supplied as one single combined circuit board. Therefore, they will not be supplied separately. If this becomes necessary, please order the entire circuit board.

Combination circuit board 82-781-610-01



SCHEMATIC DIAGRAM

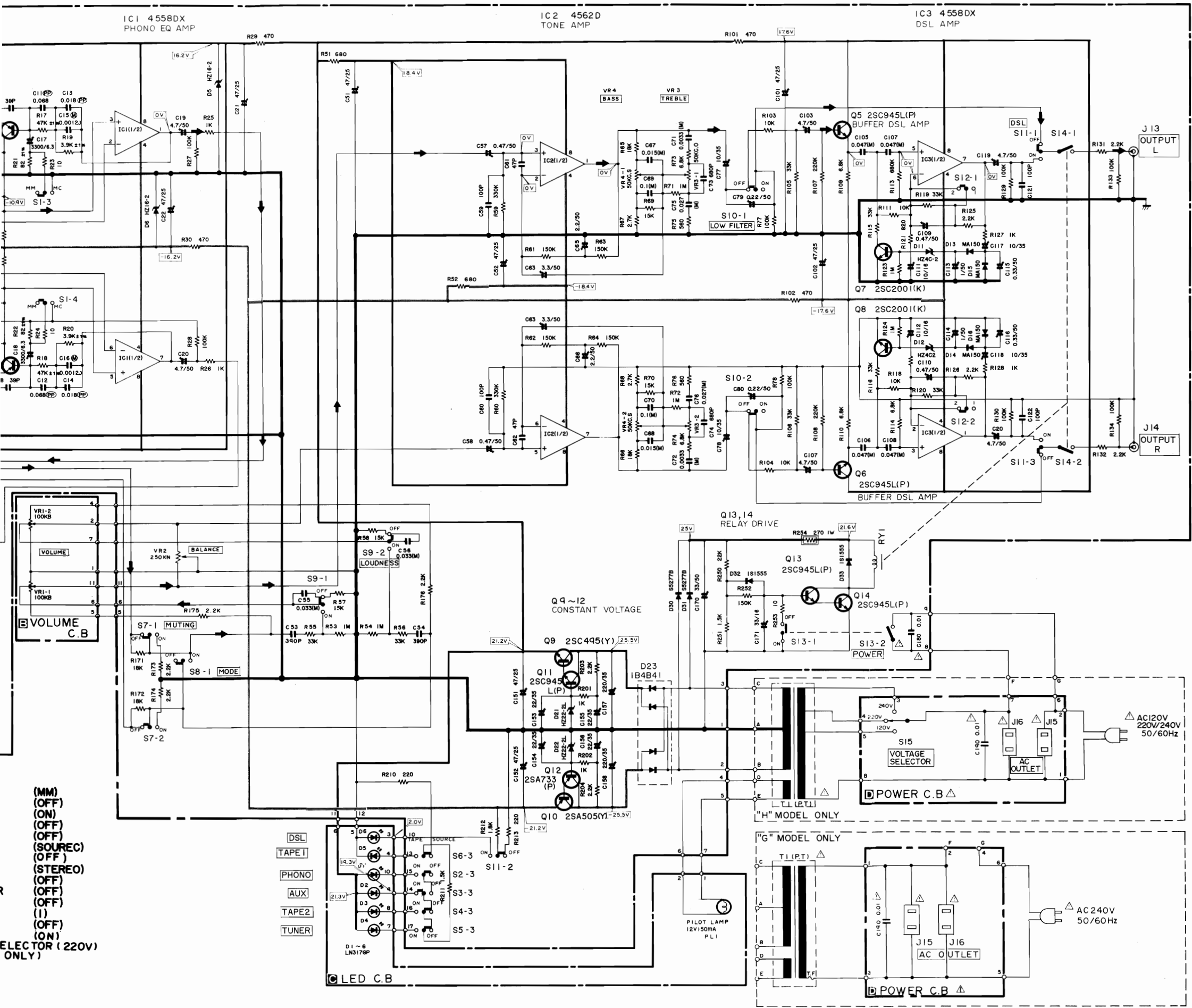


- S1-1 ~ 4 MM-MC (MM)
- S2-1 ~ 3 PHONO (OFF)
- S3-1 ~ 3 AUX (ON)
- S4-1 ~ 3 TAPE2 (OFF)
- S5-1 ~ 3 TUNER (OFF)
- S6-1 ~ 3 TAPE1 (SOURCE)
- S7-1,2 MUTING (OFF)
- S8-1 MODE (STEREO)
- S9-1,2 LOUDNESS (OFF)
- S10-1,2 LOW FILTER (OFF)
- S11-1 ~ 3 DSL (OFF)
- S12-1,2 DSL 1/2 (I)
- S13-1,2 POWER (OFF)
- S14-1,2 MUTING (ON)
- S15 VOLTAGE SELECTOR (220V) (H MODEL ONLY)

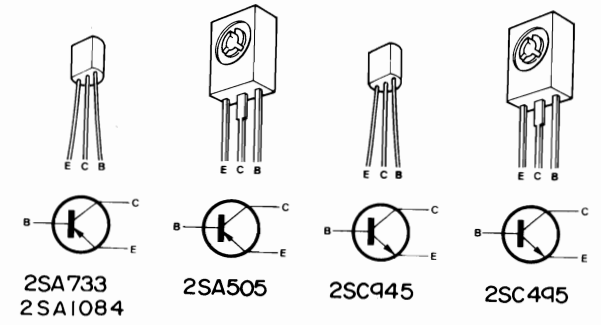
- DSL
- TAPE1
- PHONO
- AUX
- TAPE2
- TUNER

"H" MODEL ONLY

"G" MODEL ONLY



- NOTES:**
- 1) B (+) power supply B (-) power supply
 - 2) Signal path
Rec path,
 - 3) The voltage is the reference value measured with a tester (20 k-ohms/V DC) when there are no signals.
 - 4) Resistors with no designation have a rated power of 1/4W and a tolerance of ±5%.
 - 5) Capacitors with no designation have a dielectric strength of less than 50WV.
 - 6) The only capacitor tolerance indicated are ±5% (J) and ±10% (K).
 - 7) Ceramic capacitor symbols:
 - High dielectric constant system (YY)
 - High dielectric constant system (YW, YP, YZ)
 - 8) Explanation of symbols:
 - Mylar capacitor
 - Aluminum solid capacitor
 - Polypropylene film capacitor
 - Bi-polarized capacitor
 - Low-leakage capacitor
 - Fuse resistor
 - Nonflammable resistor
- Safety component symbol**
 This symbol is given to important parts which serve to maintain the safety of the product, and which are made to conform to special safety specifications. Therefore, when replacing a component with this symbol, make absolutely sure that you use a designated part.
- This schematic diagram is subject to change without notice in the interests of improved performance.



(MM)
(OFF)
(ON)
(OFF)
(OFF)
(SOURCE)
(OFF)
(STEREO)
(OFF)
(OFF)
(OFF)
(I)
(OFF)
(ON)
ELECTOR (220V)
ONLY)

DSL
TAPE 1
PHONO
AUX
TAPE 2
TUNER

LED C.B

"H" MODEL ONLY

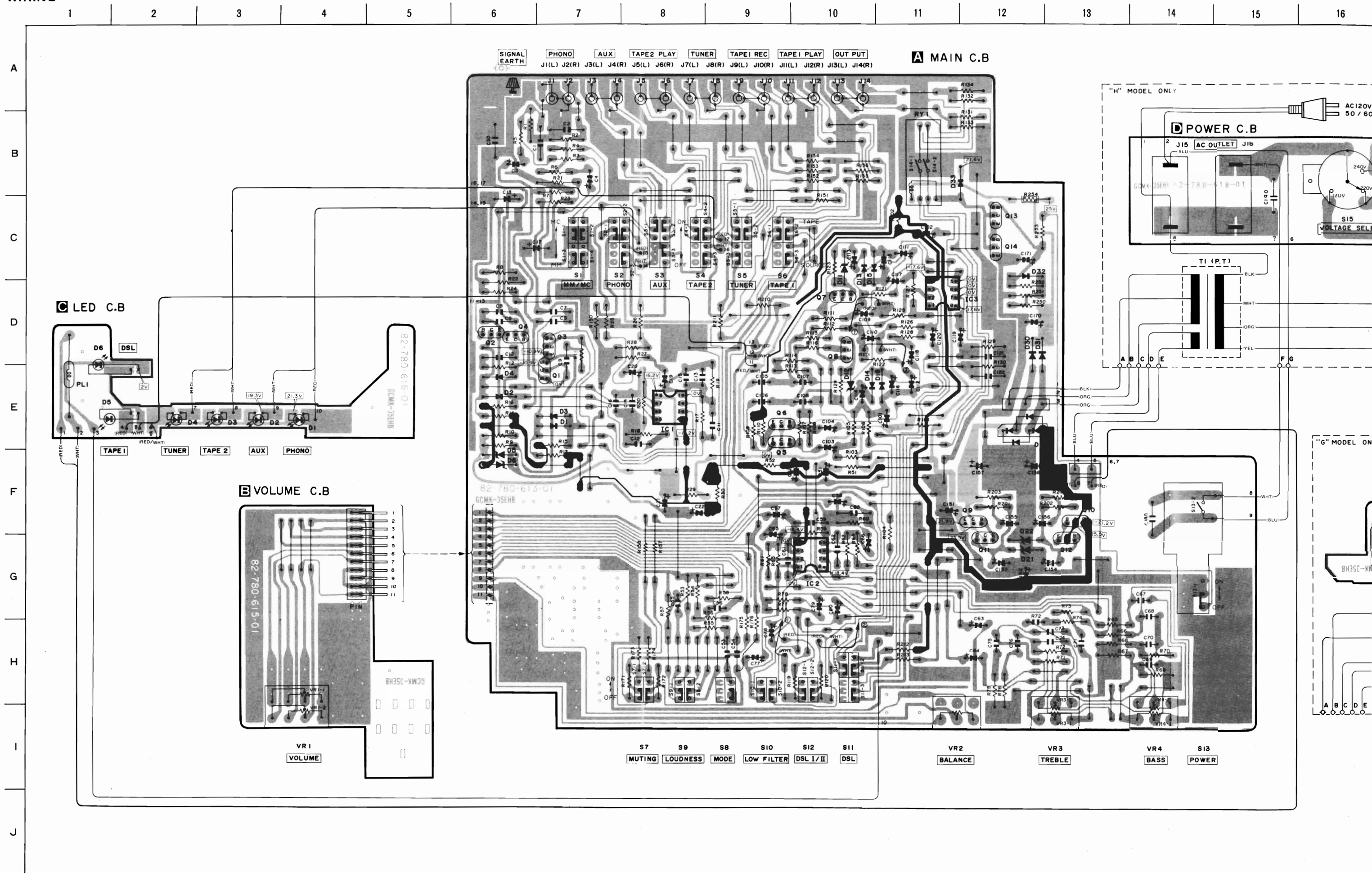
"G" MODEL ONLY

POWER C.B

POWER C.B

WIRING

NOTES (1) B(+) Pattern B (-) Pattern Others pattern
(2) The voltage is the reference value measured with a tester (20 K ohms/V DC) w



A
B
C
D
E
F
G
H
I
J

1 2 3 4 5 6 7 8 9 10 11 12 13 14 15 16

C LED C.B

B VOLUME C.B

A MAIN C.B

D POWER C.B

S7 MUTING S9 LOUDNESS S8 MODE S10 LOW FILTER S12 DSL I/II S11 DSL

VR2 BALANCE VR3 TREBLE VR4 BASS S13 POWER

"H" MODEL ONLY

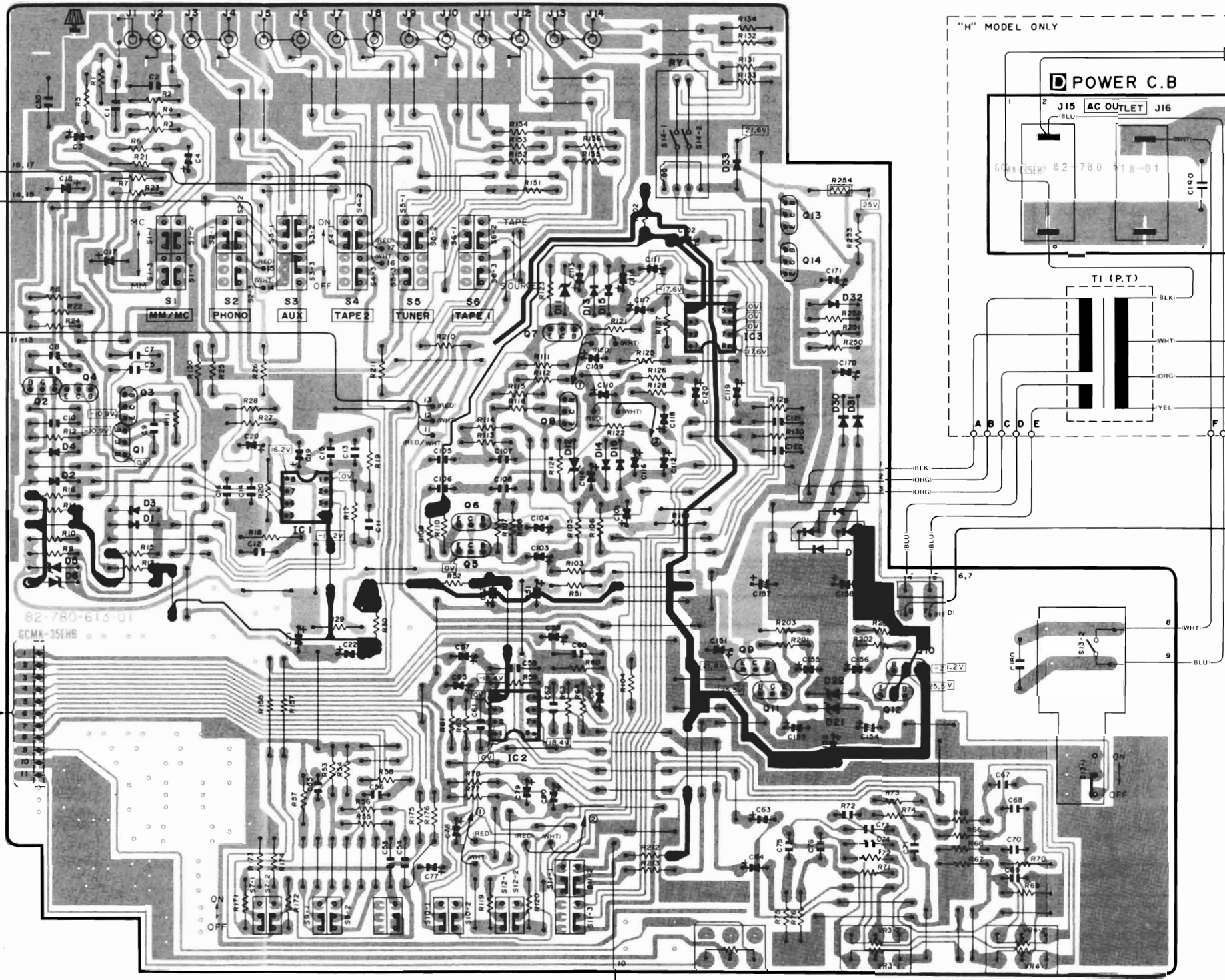
"G" MODEL ONLY

NOTES (1) B(+) Pattern B (-) Pattern Others pattern
(2) The voltage is the reference value measured with a tester (20 K ohms/V DC) when there are no signals.

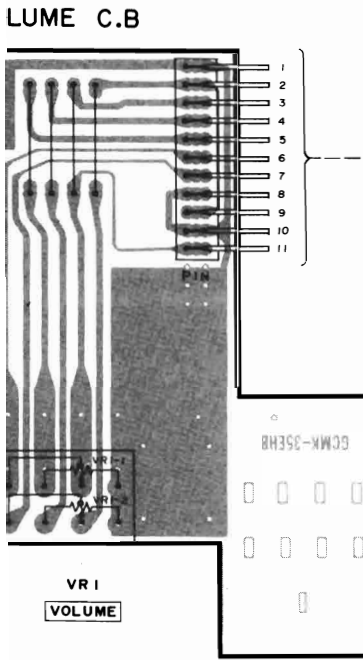
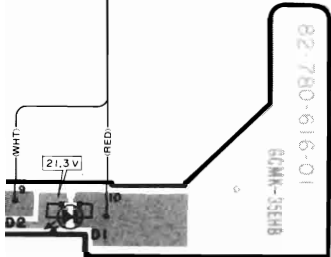
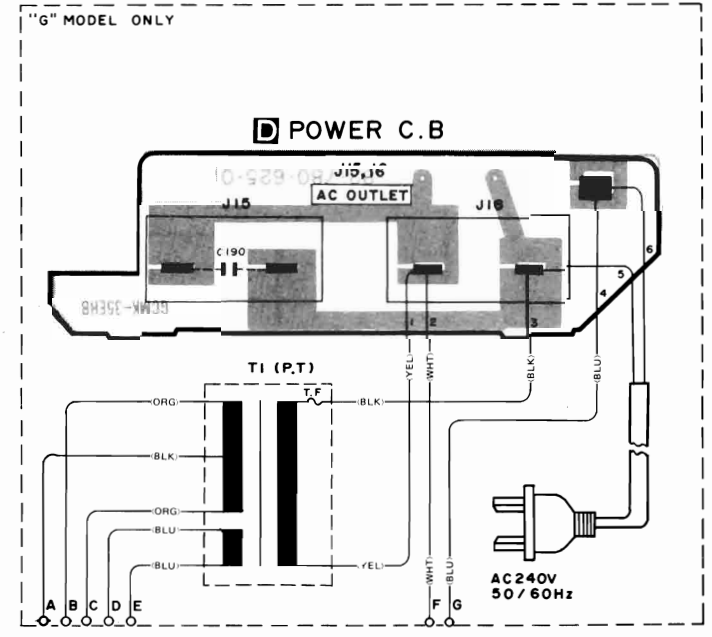
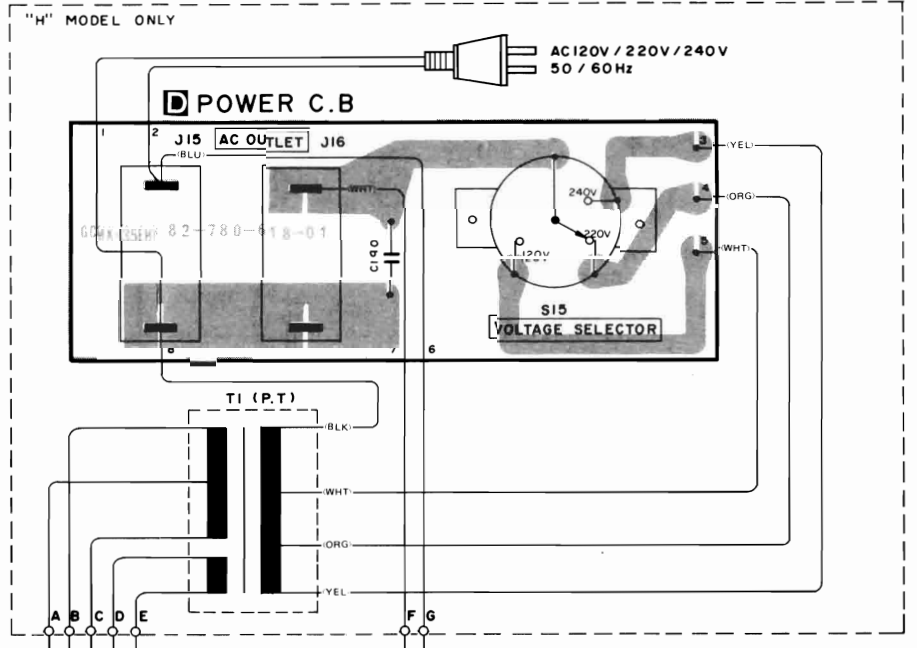
4 5 6 7 8 9 10 11 12 13 14 15 16 17 18 19

SIGNAL EARTH PHONO AUX TAPE2 PLAY TUNER TAPE1 REC TAPE1 PLAY OUT PUT
J1(L) J2(R) J3(L) J4(R) J5(L) J6(R) J7(L) J8(R) J9(L) J10(R) J11(L) J12(R) J13(L) J14(R)

A MAIN C.B



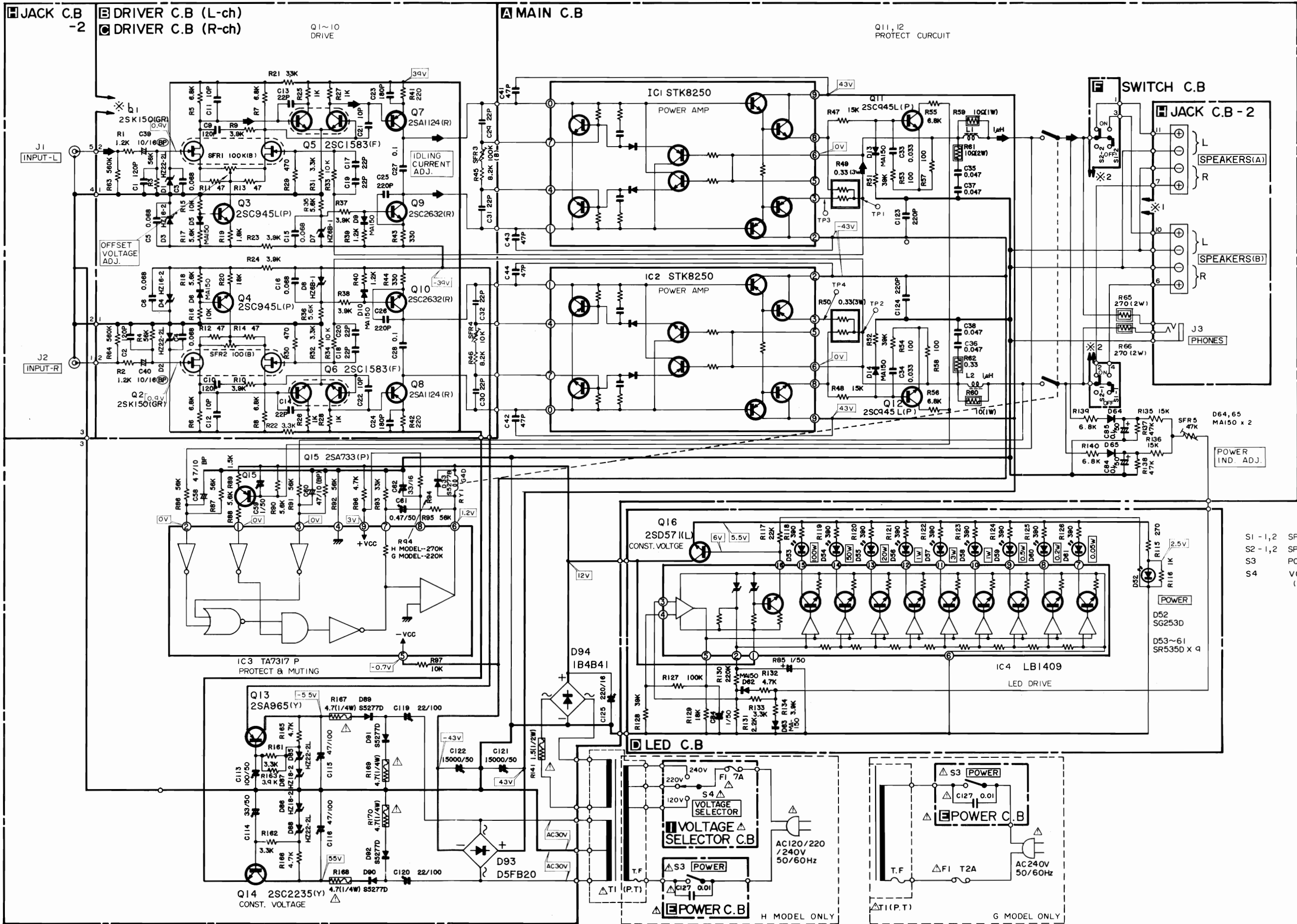
S7 S9 S8 S10 S12 S11
MUTING LOUDNESS MODE LOW FILTER DSL I/II DSL
VR2 VR3 VR4 S13
BALANCE TREBLE BASS POWER



SCHEMATIC DIAGRAM

1 2 3 4 5 6 7 8 9 10 11 12 13 14 15 16

A B C D E F G H I J



- S1 -1,2 SPEAKERS (B) (OFF)
- S2 -1,2 SPEAKERS (A) (ON)
- S3 POWER (OFF)
- S4 VOLTAGE SELECTOR (220V) (H MODEL ONLY)

D52 SG253D
 D53~61 SR535D x 4

POWER C.B.
 AC 240V 50/60Hz

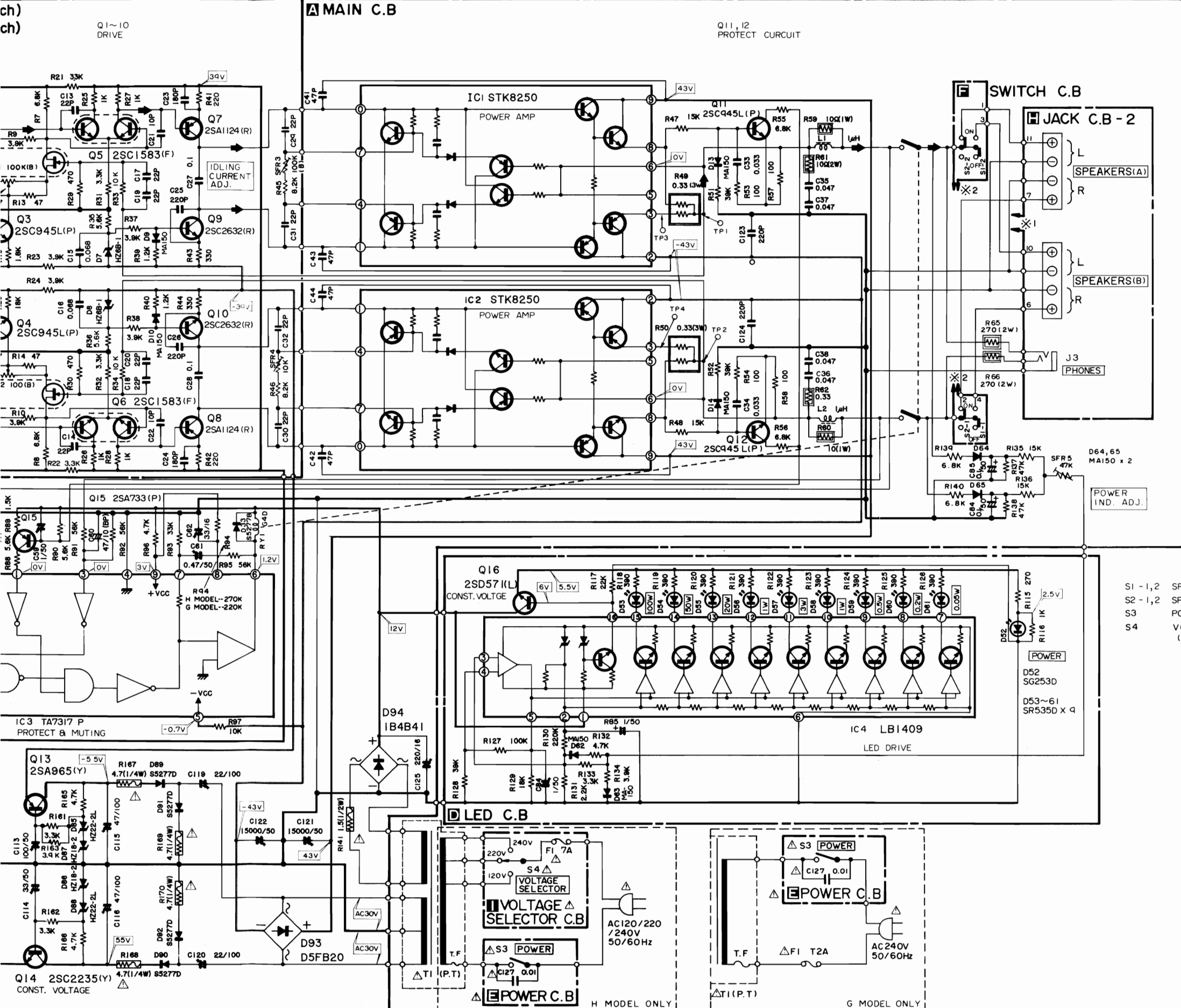
VOLTAGE SELECTOR C.B.
 AC 120/220 /240V 50/60Hz

POWER C.B.
 AC 240V 50/60Hz

H MODEL ONLY

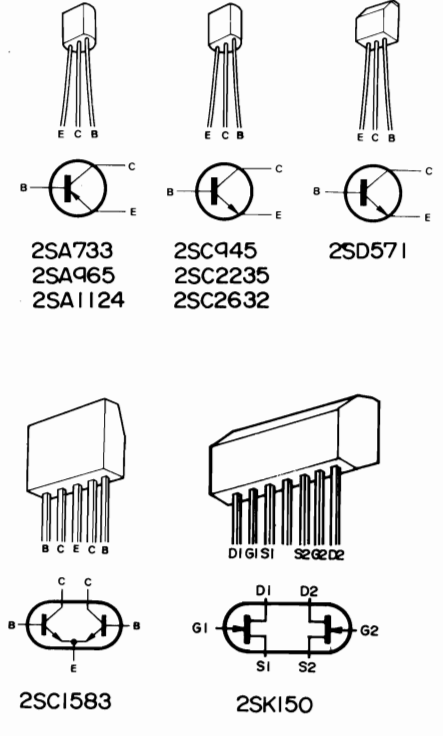
G MODEL ONLY

ch)
ch)



- NOTES:**
- 1) B (+) power supply B (-) power supply
 - 2) Signal path
 - 3) The voltage is the reference value measured with a tester (20 k-ohms/V DC) when there are no signals. But () is with AM reception or recording. An asterisk (*) indicates that the value was measured with a vacuum-tube voltmeter during recording.
 - 4) Resistors with no designation have a rated power of 1/4W and a tolerance of ±5%.
 - 5) Capacitors with no designation have a dielectric strength of less than 50V.
 - 6) The only capacitor tolerance indicated are ±5% (J) and ±10% (K).
 - 7) High dielectric constant system (YY)
 High dielectric constant system (YW, YP, YZ)
 - 8) Explanation of symbols
 Mylar capacitor
 Aluminum solid capacitor
 Polypropylene film capacitor
 Bi-polarized capacitor
 Low-leakage capacitor
 Fuse resistor
 Nonflammable resistor
 Safety component symbol
This symbol is given to important parts which serve to maintain the safety of the product, and which are made to conform to special safety specifications. Therefore, when replacing a component with this symbol, make absolutely sure that you use a designated part.

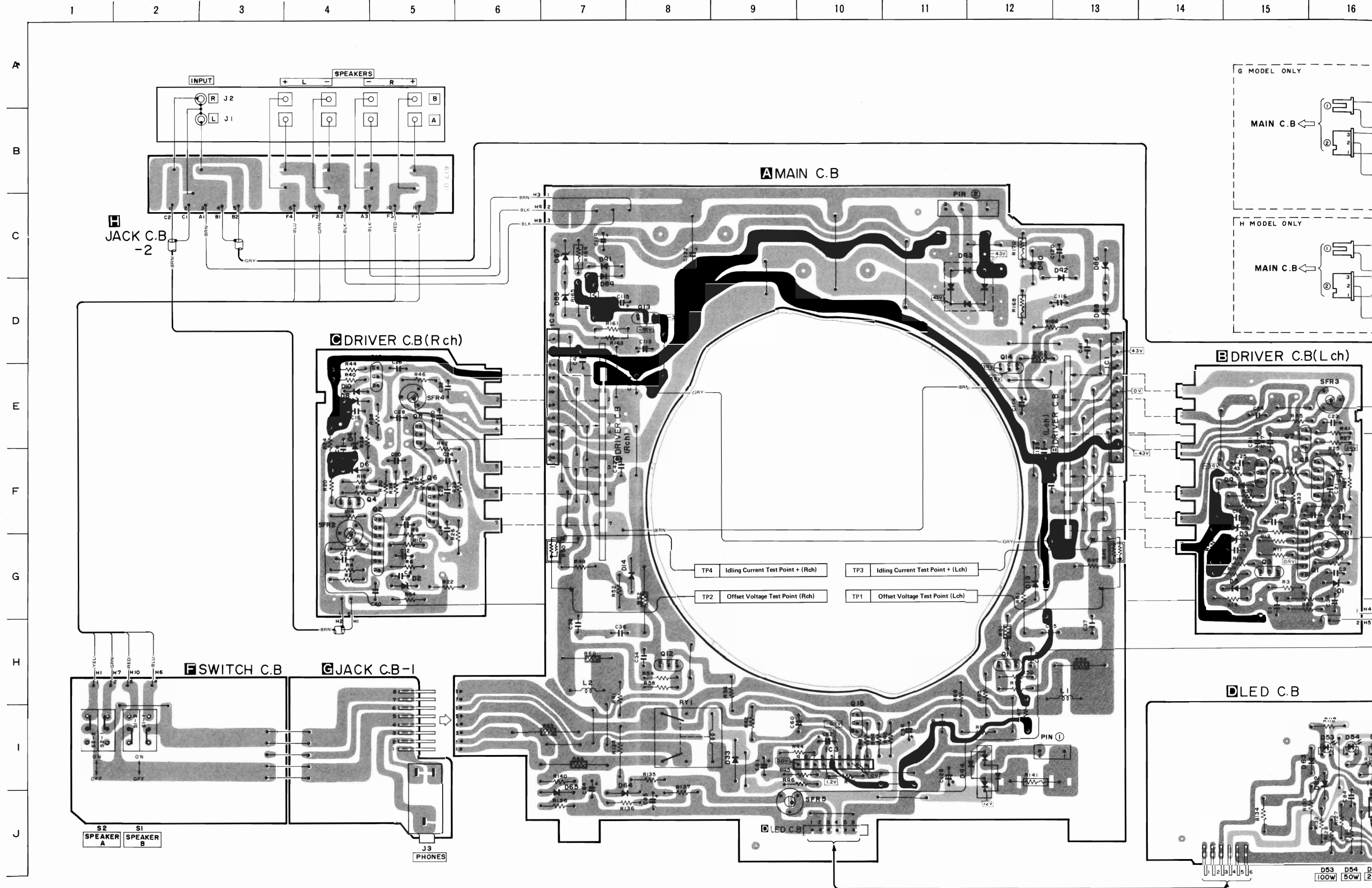
- S1 - 1,2 SPEAKERS (B) (OFF)
- S2 - 1,2 SPEAKERS (A) (ON)
- S3 POWER (OFF)
- S4 VOLTAGE SELECTOR(220V) (H MODEL ONLY)



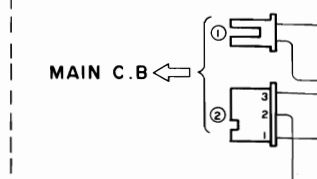
H MODEL ONLY
G MODEL ONLY

WIRING

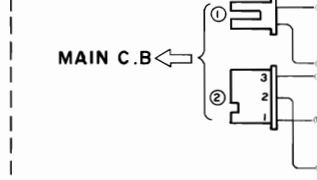
NOTES (1) B(+) Pattern B(-) Pattern Others pattern
 (2) The voltage is the reference value measured with a tester (20 K ohms/V DC) w



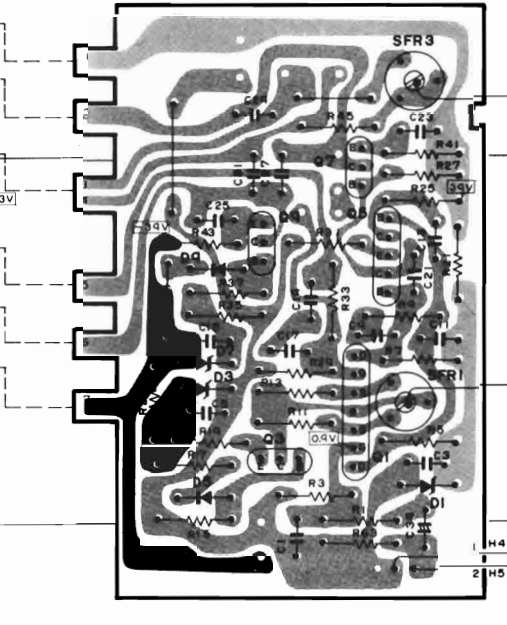
G MODEL ONLY



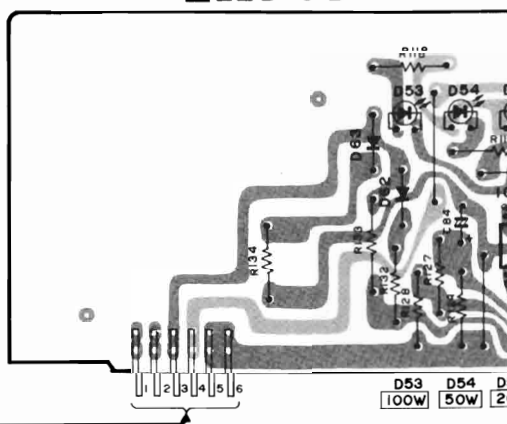
H MODEL ONLY



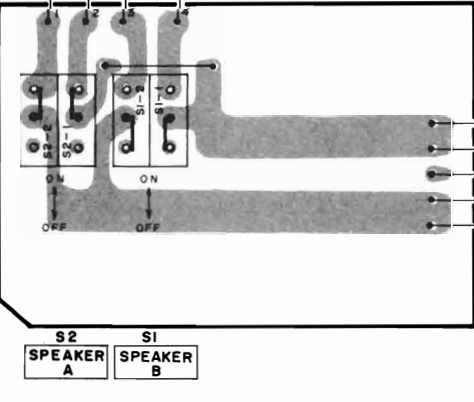
B DRIVER C.B.(L ch)



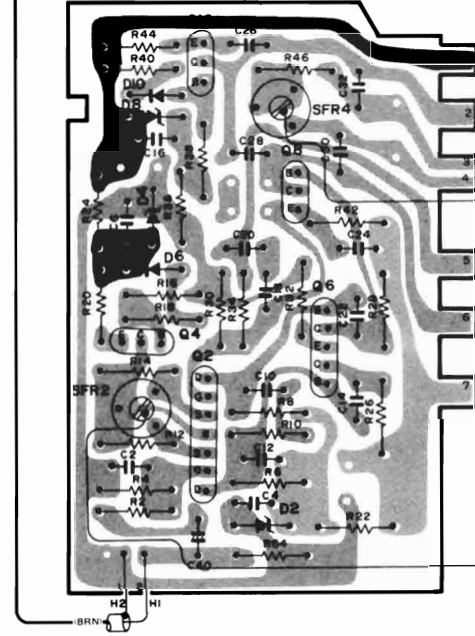
D LED C.B.



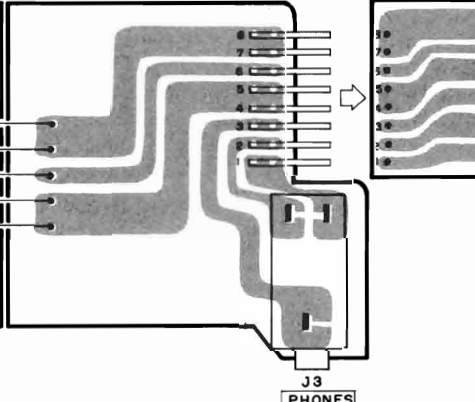
F SWITCH C.B.



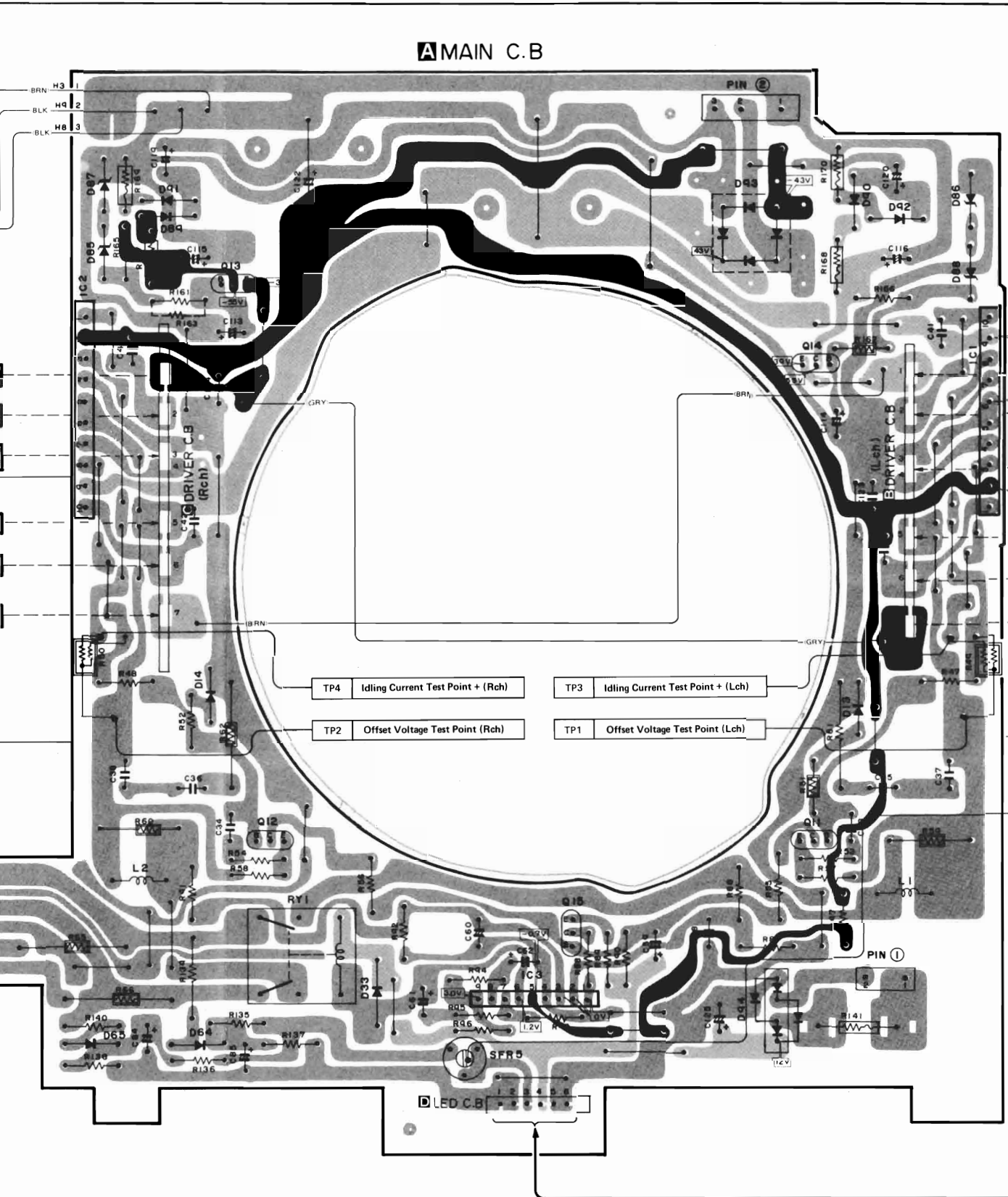
C DRIVER C.B.(Rch)



G JACK C.B.-1

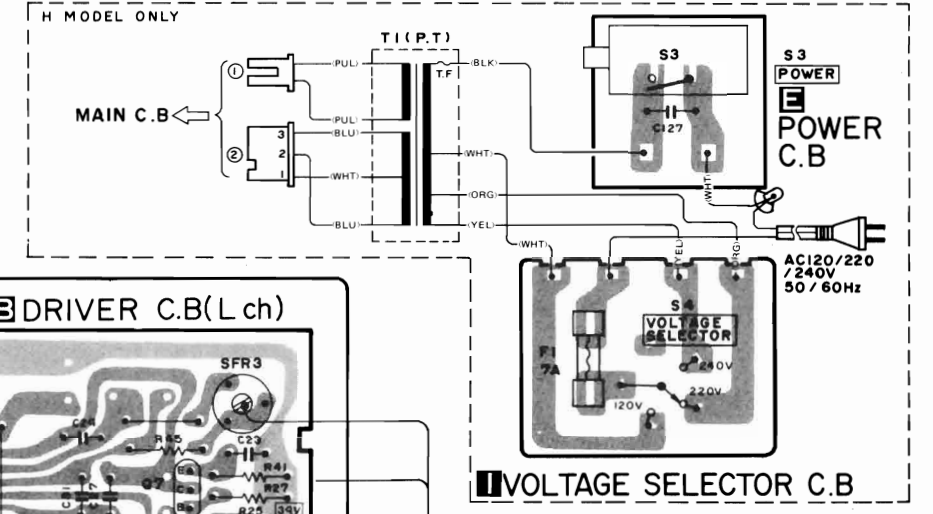
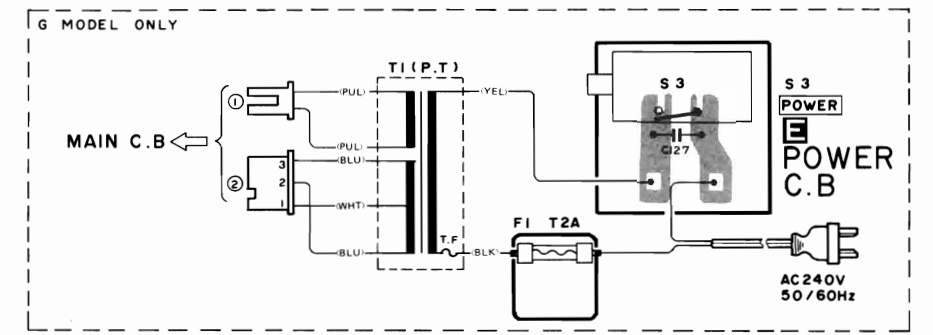
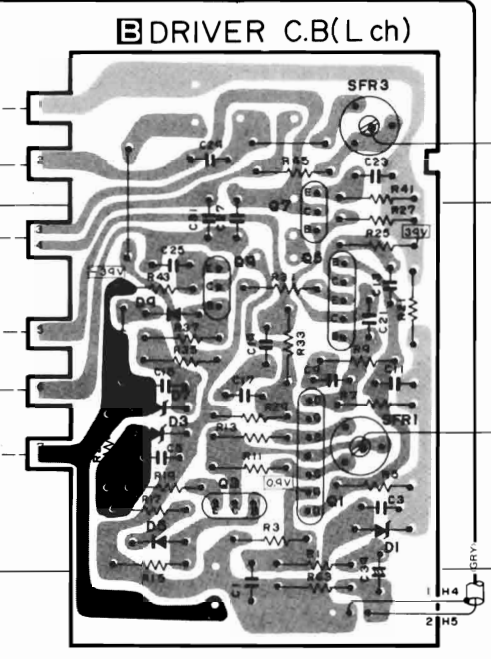
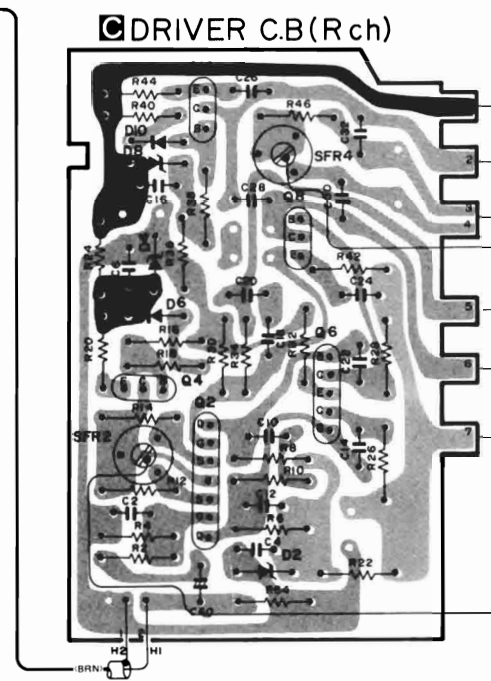
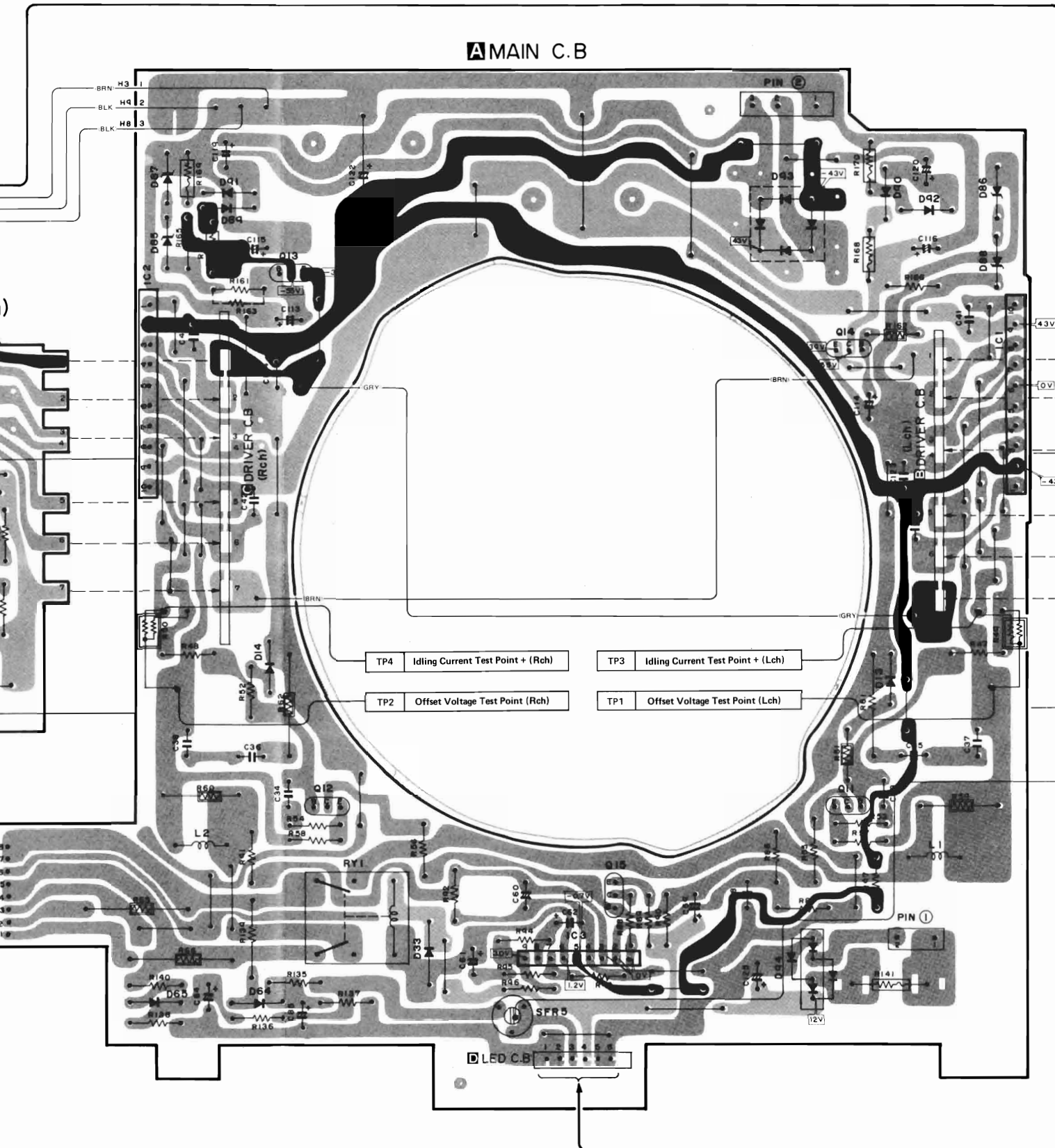
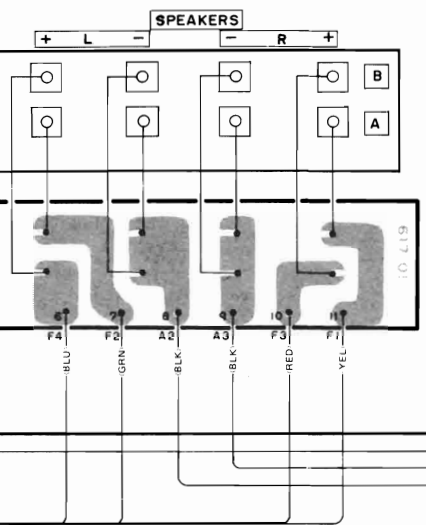


A MAIN C.B.



NOTES (1) B(+) Pattern B (-) Pattern Others pattern
 (2) The voltage is the reference value measured with a tester (20 K ohms/V DC) when there are no signals.

4	5	6	7	8	9	10	11	12	13	14	15	16	17	18	19
---	---	---	---	---	---	----	----	----	----	----	----	----	----	----	----



2. Idling Current Adjustment

Settings:

- Test point: TP1,3 (Lch), TP2,4 (Rch)
- Adjustment location: SFR3 (Lch), SFR4 (Rch)

Method:

Connect a DC voltmeter across test point. Adjust so that the level is 10 mV.

1. Offset Voltage Adjustment

Settings:

- Test point: TP1 (Lch), TP2 (Rch)
- Adjustment location: SFR1 (Lch), SFR2 (Rch)

Method:

Connect a DC voltmeter across test point and ground. Adjust so that the level is +5mV.

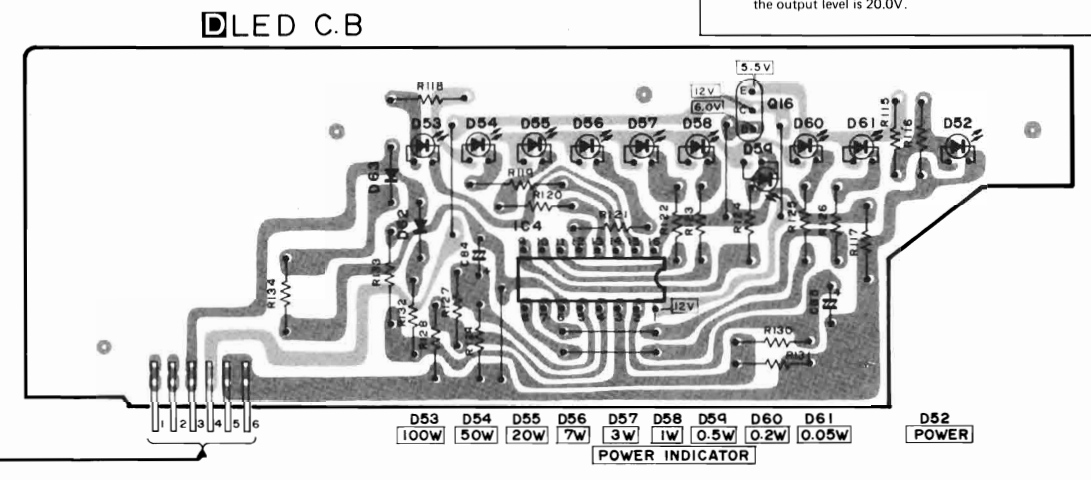
3. Power Indicator Adjustment

Settings:

- Input signal: 1 kHz, 50W (8Ω, 20.0V)
- Adjustment location: SFR5

Method:

Adjust so that 100W power indicator LED lights up when the output level is 20.0V.



AIWACO.,LTD.