

# BAND STEREO RADIO CASSETTE RECORDER

## MODEL NO. TPR-950E,K

# AIWA®

## (SERVICE MANUAL)



Shown above is TPR-950K

DATE OF ISSUE 9/1978

### SPECIFICATIONS

#### GENERAL

**Semiconductors:** 4 IC's, 1 FET, 45 transistors, 19 diodes, 3 LED's

**Power Source:** Batteries DC 9V (UM-1 x 6)  
AC 120V/220V (E model)  
AC 120V/240V (K model)  
(switchable) 50/60 Hz

**Power consumption:** 17W (E model), 20W (K model)

**Speakers:** Woofer 160 mm $\phi$  x 2  
Tweeter 52 mm $\phi$  x 2

**Dimension:** 490(W) x 370(H) x 130(D) mm

**Weight:** 7 kg (including batteries)

**Supplied accessories:** AC power cord x 1  
Cassette tape x 1  
Batteries (SUM-1) x 6  
Head cleaning stick x 1

#### RADIO SECTION

**Circuit:** Superheterodyne

**Frequency range:** FM 87.5~108 MHz  
SW<sub>1</sub> 5.7~18.5 MHz  
SW<sub>2</sub> 5.8~6.5 MHz (49 m Band)  
MW 515~1650 kHz  
LW 145~320 kHz

**Intermediate frequency:** FM 10.7 MHz  
SW<sub>1</sub>, SW<sub>2</sub>, MW, LW 455 kHz (E model)  
SW<sub>1</sub>, SW<sub>2</sub>, MW, LW 468 kHz (K model)

**Sensitivity:** FM 4 $\pm$ 3 dB (at 88 MHz)  
3 $\pm$ 3 dB (at 98, 108 MHz)  
SW<sub>1</sub> 28 $\pm$ 5 dB (at 5.9 MHz)  
20 $\pm$ 5 dB (at 12, 18 MHz)  
SW<sub>2</sub> 28 $\pm$ 5 dB (at 5.95, 6.1, 6.2 MHz)  
MW 43 $\pm$ 4 dB (at 600 kHz)  
42 $\pm$ 4 dB (at 1000, 1400 kHz)  
(at S/N 14 dB) LW 53 $\pm$ 5 dB (at 150 kHz)  
50 $\pm$ 5 dB (at 220, 300 kHz)

**FM stereo separation:** 30 $\pm$ 5 dB (at 1 kHz)

**Antennas:** Built-in whip antenna for FM, SW<sub>1</sub>, SW<sub>2</sub>  
Built-in ferrite bar antenna for MW, LW

#### TAPE RECORDER SECTION

**Tape speed:** 4.76 cm/sec.  $\pm$ 2.5%

**Recording system:** AC bias

**Erasing system:** AC erase

**Record bias frequency:** 54.5 kHz

**Distortion:** Less than 1.7% (PB)  
Less than 3.0% (REC/PB)

**Frequency response:** Normal (LH) tape: 50~12,000 Hz  
CrO<sub>2</sub> tape: 50~14,000 Hz  
Fe-Cr tape: 50~14,000 Hz

**Signal to noise ratio:** More than 50/46 dB [DC/AC] (PB)  
(Un-Weighted) More than 43/42 dB [DC/AC] (REC/PB)

**Erasing ratio:** More than 55 dB

**Separation:** More than 35 dB (REC/PB)

**Maximum output power:** 9.4W (4.7W + 4.7W)

**Head:** Ferrite guard head (FGH)

**FF & rewind time:** 80 $\pm$ 5 sec.

**Automatic stop system:** Mechanical full auto stop

**Automatic shut-off action time:** Less than 10 sec.

**Pinch roller pressure:** 300 $\pm$ 30g

**Wow & Flutter:** Less than 0.09% (WRMS)

**Take-up torque:** 50 $\pm$ 10 g-cm

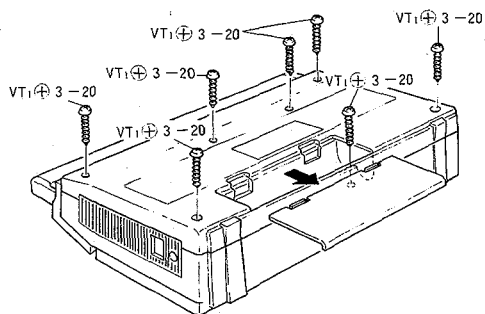
**FF & rewind torque:** 100 <sup>+20</sup>/<sub>-10</sub> g-cm

• The specifications and external appearance of this set are subject to change without prior notice.

**DISASSEMBLY INSTRUCTIONS**

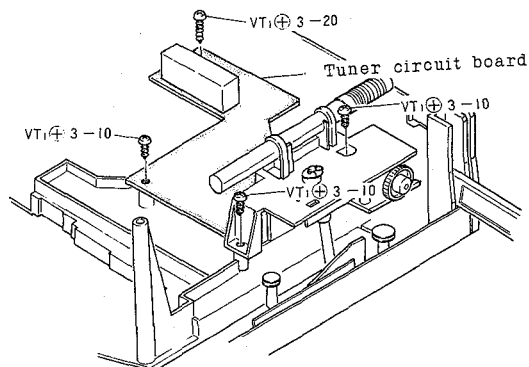
**To Remove Back Cover**

Remove 7 screws.



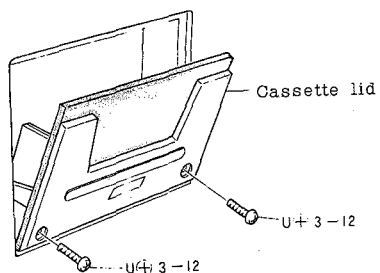
**To Remove Tuner Circuit Board**

Remove 4 screws.



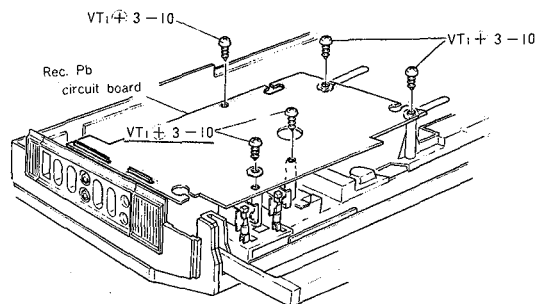
**To Remove Cassette Lid**

Remove 2 screws.



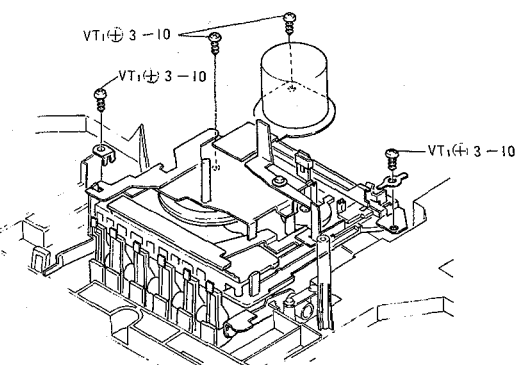
**To Remove REC/PB Circuit Board**

Remove 5 screws.



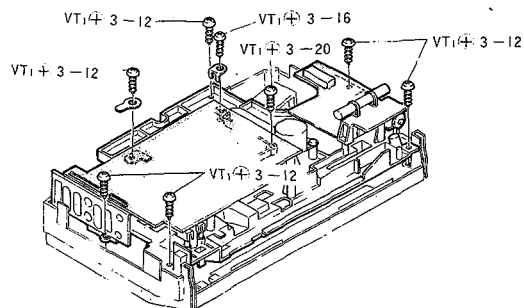
**To Remove Mechanism**

Remove 4 screws.

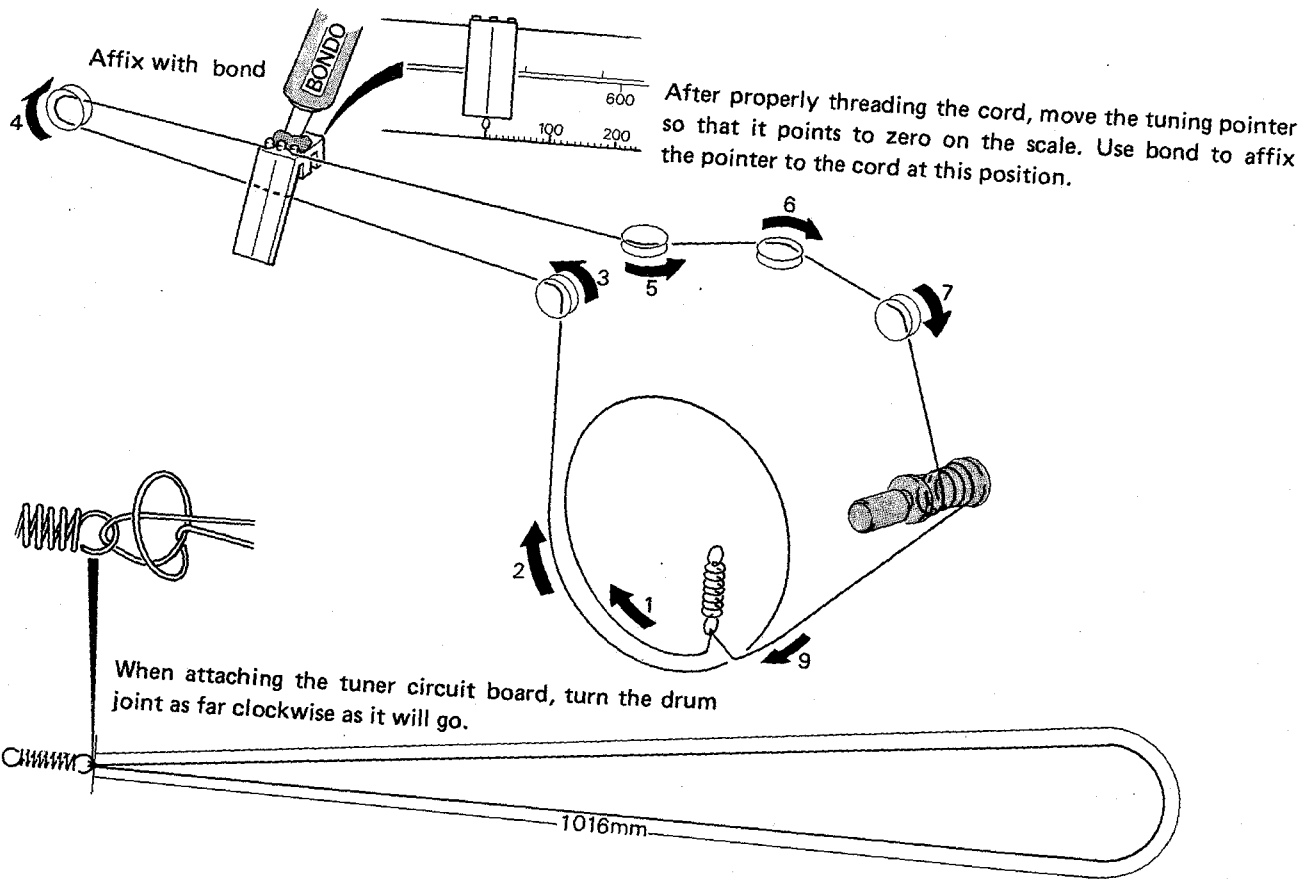


**To Remove Main Cabinet**

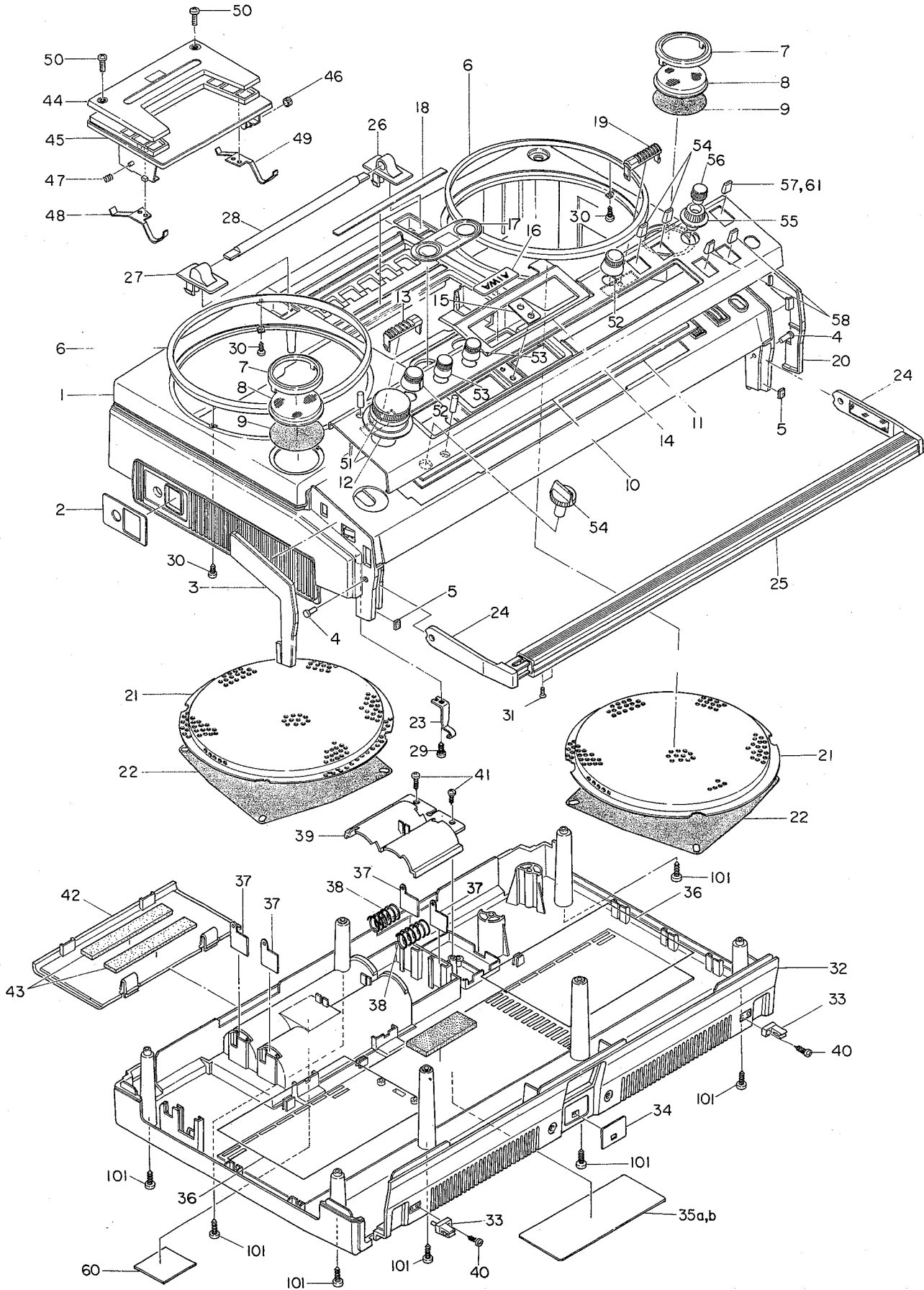
Remove 8 screws.



DIAL CORD STRINGING



EXPLODED VIEW-1





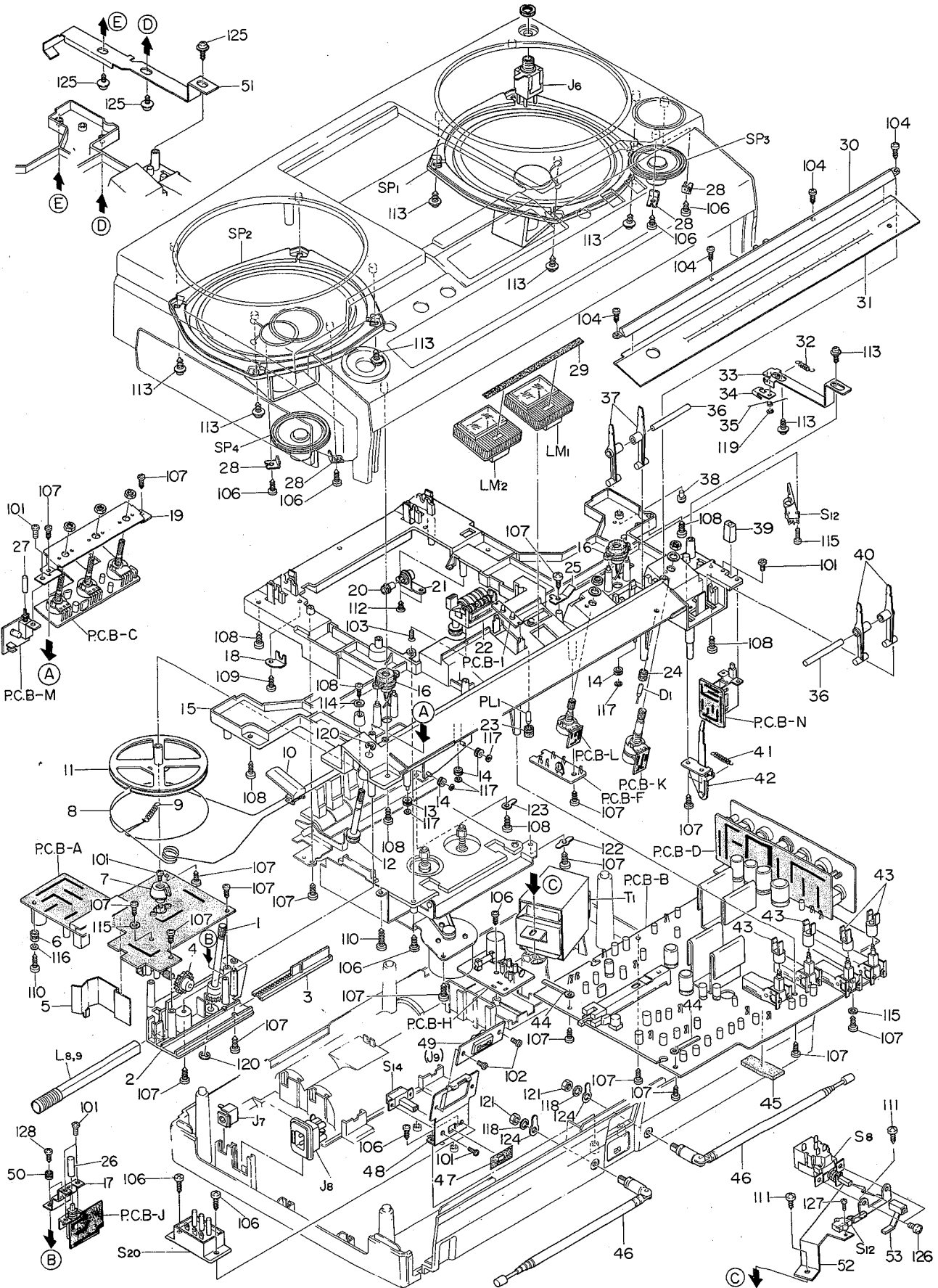
## MECHANICAL PARTS

## PARTS LIST

■ \* mark in this part list shows exclusive part  
(which is used) for only Model TPR-950.

Ref. No.	Part No.	Part No. Changed to	Description	Common Model	Q'ty
1~43	09-017-495-01		Cabinet Assembly — "E" model (Main case ass'y + Back cover ass'y + Battery room lid ass'y)		
1~43	09-017-498-01		Cabinet Assembly — "K" model (Main case ass'y + Back cover ass'y + Battery room lid ass'y)		
1~31	09-017-496-01		Main case ass'y — E model		
1~31	09-017-499-01		Main case ass'y — K model		
1-1	82-541-095-01		Main case ass'y	*	1
1-2	82-541-070-01		Name plate, AC jack	*	1
1-3	82-541-019-01		Side panel R	*	1
1-4	82-541-267-01		Shaft, Carrying handle	*	1
1-5	82-445-253-01		Rubber A, Carrying handle	*	2
1-6	82-541-005-01		Ring, Speaker (Woofer)	*	2
1-7	82-541-037-01		Ring, Speaker (Tweeter)	*	2
1-8	82-541-039-01		Net, Speaker (Tweeter)	*	2
1-9	82-541-054-01		Dust screen cloth, Speaker (Tweeter)	*	2
1-10a	82-541-067-01		Panel, Main case (E model only)	*	1
1-10b	82-541-077-01		Panel, Main case (K model only)	*	1
1-11	82-541-073-01		Dial window ass'y	*	1
1-12	82-541-035-01		Decorative plate, Tuning knob	*	1
1-13	82-541-016-01		Grille R, ECM	*	1
1-14	82-541-011-01		Panel, Meter	*	1
1-15	82-541-057-01		Peak indicator plate	*	1
1-16	82-541-038-01		Badge, AIWA	*	1
1-17	82-534-048-01		Cassette plate	TPR-980	1
1-18	82-541-064-01		Plate A	*	1
1-19	82-541-017-01		Grille L	*	1
1-20	82-541-020-01		Side panel L	*	1
1-21	82-541-018-01		Punching (Woofer)	*	2
1-22	82-541-046-01		Dust screen cloth, Speaker	*	2
1-23	82-534-203-01		Click plate spring R	TPR-980	1
1-24	82-534-013-01		Handle arm R	TPR-980	2
1-25	82-541-013-01		Handle grip	*	1
1-26	82-541-065-01		Mold plate, L	*	1
1-27	82-541-069-01		Mold plate, R	*	1
1-28	82-541-073-01		Shaft, Button guard	*	1
1-29	82-351-096-21		VT <sub>1</sub> + 3-10	*	1
1-30	87-341-035-21		UT <sub>1</sub> + 2-6	*	6
1-31	87-081-827-01		QTT <sub>2</sub> + 3-8 (Black nickle)	*	4
32~41	09-017-497-01		Back cover ass'y — E model only		
32~41	09-017-500-01		Back cover ass'y — K model only		
1-32	82-541-002-01		Back cover	*	1
1-33	82-422-024-01		Holder, Antenna	*	2
1-34	82-541-075-01		Antenna plate	*	1
1-35a	82-541-071-01		Name plate, Spec. (E model only)	*	1
1-35b	82-541-072-01		Name plate, Spec. (K model only)	*	1
1-36	82-541-045-01		Dust screen cloth, Back cover	*	2
1-37	87-038-032-01		Battery terminal plate	*	4
1-38	82-222-036-01		Battery terminal spring	*	2
1-39	82-541-228-01		Battery case	*	1
1-40	87-351-035-01		VT <sub>1</sub> + 2-6	*	2
1-41	87-351-095-01		VT <sub>1</sub> + 3-8	*	2
1-42	82-541-003-01		Battery room lid	*	1
1-43	82-416-260-01		Cushion, Battery room lid	*	2
44~50	09-017-501-01		Cassette lid ass'y		
1-44	82-541-010-01		Cassette lid plate	*	1
1-45	82-541-007-01		Cassette lid ass'y	*	1
1-46	82-461-319-01		Cushion, Cassette lid	*	1
1-47	82-541-249-01		Spring, Cassette box	*	1
1-48	82-541-264-01		Pressure plate spring R	*	1
1-49	82-541-265-01		Pressure plate spring L	*	1
1-50	82-541-051-01		U + 3-12	*	2
1-51	82-541-041-01		Tuning knob ass'y	*	1
1-52	82-541-021-01		Volume knob A	*	2
1-53	82-541-022-01		Volume knob B	*	2
1-54	82-541-044-01		Knob A, Lever switch S	*	2
1-55	82-541-023-01		Volume knob C	*	1
1-56	82-541-024-01		Volume knob D	*	1
1-57	82-541-052-01		Sleep knob (E model only)	*	1
1-58	82-541-050-01		Knob B, Lever switch S	*	2
1-59	82-541-025-01		Band knob	*	1
1-60	82-541-092-01		Battery plate	*	1
1-61	82-541-076-01		Knob, Power switch (K model only)	*	1

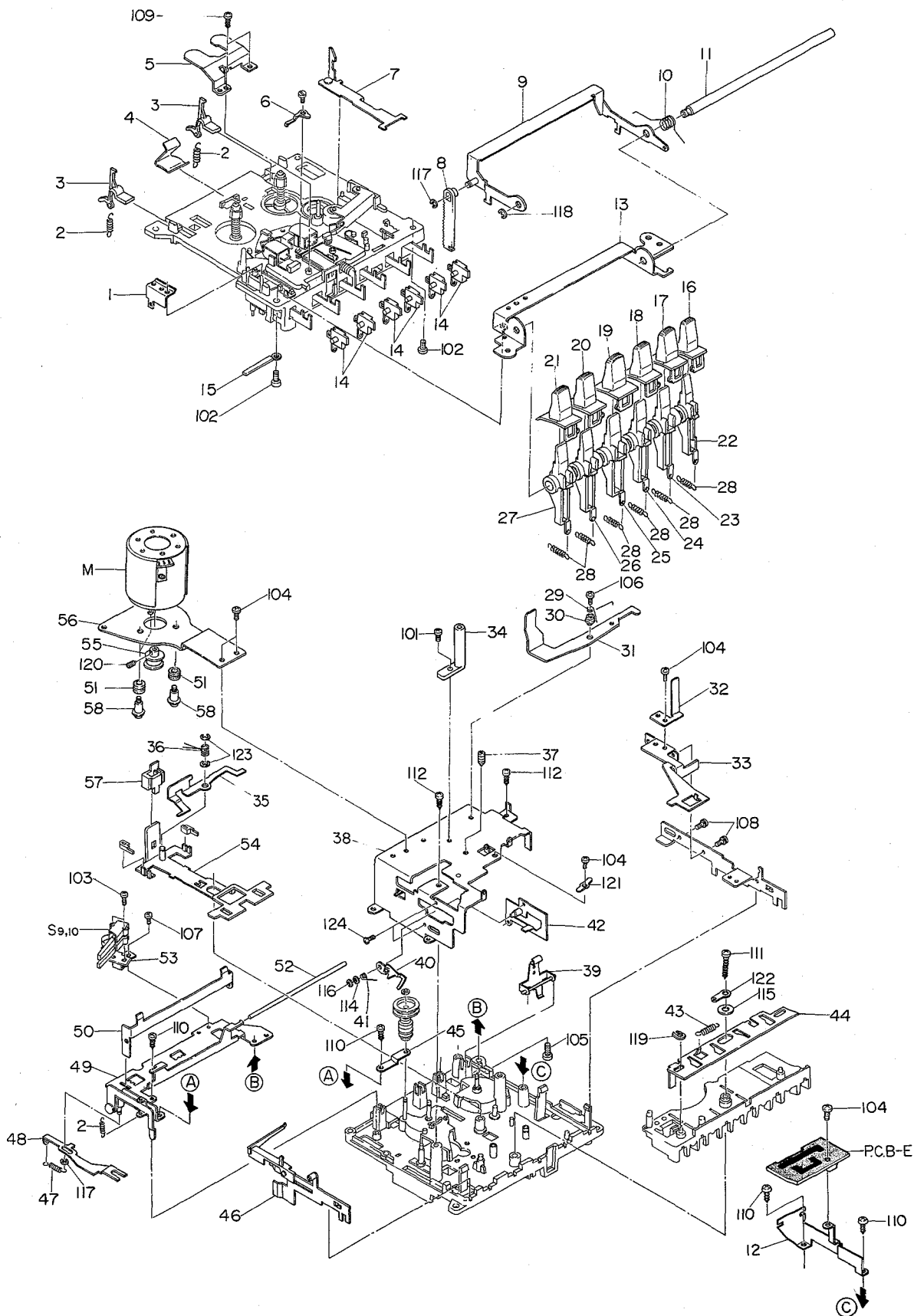
EXPLODED VIEW-2



Ref. No.	Part No.	Part No. Changed to	Description	Common Model	Q'ty
2-1	82-541-205-01		Gear C, Band selector	*	1
2-2	82-541-202-01		Chassis, Tuning	*	1
2-3	82-541-204-01		Gear B, Band selector	*	1
2-4	82-541-203-01		Gear A, Band selector	*	1
2-5	82-535-616-01		Shield plate	TPR-915	1
2-6	87-087-029-01		Rubber cushion		1
2-7	82-439-311-01		Drum joint	TPR-905	1
2-8	87-096-045-01		Dial string		1
2-9	82-534-290-01		Spring	TPR-980	1
2-10	82-541-014-01		Dial pointer	*	1
2-11	82-439-310-01		Drum	TPR-300	1
2-12	82-541-232-01		Shaft, Tuning dial	*	1
2-13	81-302-107-01		Roller		1
2-14	81-385-014-01		Roller		4
2-15	82-541-201-01		Chassis, Radio	*	1
2-16	87-064-063-01		Holder A, ECM		2
2-17	82-541-299-01		Metal fitting	*	1
2-18	82-541-280-01		Metal fitting, Push button shaft	*	1
2-19	82-541-226-01		Metal fitting, Volume	*	1
2-20	82-534-264-01		Gear, Oil-damper	TPR-980	1
2-21	82-534-250-01		Metal fitting, Oil-damper ass'y	TPR-980	1
2-22	87-040-103-01		Counter		1
2-23	82-463-216-01		Rubber bushing		1
2-24	87-087-027-01		Rubber cushion		1
2-25	82-541-275-01		Plate spring	*	1
2-26	82-541-061-01		Knob	*	1
2-27	82-545-016-01		Push button, LOUDNESS		1
2-28	82-541-235-01		Metal fitting, Tweeter	*	4
2-29	82-541-059-01		Himeron cloth, Meter	*	1
2-30	82-541-012-01		Reflector board	*	1
2-31	82-541-066-01		Dial plate	*	1
2-32	82-541-243-01		Spring, Sleep lever (E model only)	*	1
2-33	82-541-233-01		Sleep slide lever ass'y (E model only)	*	1
2-34	82-530-223-01		Lock plate (E model only)		1
2-35	82-541-250-01		Spring, Sleep switch (E model only)	*	1
2-36	82-541-246-01		Shaft, Lever switch	*	2
2-37	82-541-251-01		Lever B, Lever switch	*	2
2-38	82-534-254-01		Lock pin, Power switch lever (E model only)	TPR-980	1
2-39	82-541-043-01		Knob, Light switch	*	1
2-40	82-541-244-01		Lever A, Lever switch	*	2
2-41	82-541-245-01		Spring, Sleep metal fitting	*	1
2-42	82-541-236-01		Metal fitting ass'y, Sleep	*	1
2-43	82-541-241-01		Joint, Lever switch	*	4
2-44	87-038-039-01		Wire binder		2
2-45	82-421-261-01		Cushion, Circuit board		1
2-46	87-043-039-01		Whip antenna		2
2-47	82-541-058-01		Himeron cloth, antenna switch	*	1
2-48	82-541-227-01		Metal fitting, External antenna		1
2-49	82-463-088-01		Terminal plate		1
2-50	87-087-027-01		Rubber cushion		2
2-51	82-541-294-01		Slide plate, Power switch (K model only)	*	1
2-52	82-541-295-01		Metal fitting, Power switch (K model only)	*	1
2-53	82-539-213-01		Lever, Power switch (K model only)		1

EXPLODED VIEW-3

As this is a PM-1 mechanism, the exploded view is omitted (see the supplement PM-1 mechanism adjustment manual). The exploded view below shows the additional mechanism of the PM-1. Also shown are the attachments of the motor and a list of such.



Ref. No.	Part No.	Part No. Changed to	Description	Common Model	Q'ty
3-1	82-541-284-01		Plate spring, Wire holder	*	1
3-2	82-541-247-01		Spring	*	2
3-3	82-541-223-01		REC blocking lever	*	2
3-4	82-534-297-01		Pressure plate spring	TPR-980	1
3-5	82-541-628-01		Shield plate, Head	*	1
3-6	82-539-206-01		Earth plate, Erase head	TPR-905	1
3-7	82-541-220-01		Cassette lock lever ass'y	*	1
3-8	82-541-240-01		Lever, Oil-damper	*	1
3-9	82-541-212-01		Cassette box lever ass'y	*	1
3-10	82-541-272-01		Spring	*	1
3-11	82-541-216-01		Shaft, Push button	*	1
3-12	82-541-296-01		Metal fitting, CrO <sub>2</sub> switch	*	1
3-13	82-541-218-01		Metal fitting, Push button	*	1
3-14	82-541-229-01		Selector knob	*	6
3-15	87-038-039-01		Wire binder	*	1
3-16	82-541-257-01		Push lever, PAUSE	*	1
3-17	82-541-255-01		Push lever, STOP	*	1
3-18	82-541-254-01		Push lever, FF	*	1
3-19	82-541-252-01		Push lever, FWD	*	1
3-20	82-541-253-01		Push lever, REW	*	1
3-21	82-541-256-01		Push lever, REC	*	1
3-22	82-541-031-01		Push key, PAUSE	*	1
3-23	82-541-030-01		Push key, STOP	*	1
3-24	82-541-028-01		Push key, FF	*	1
3-25	82-541-027-01		Push key, FWD	*	1
3-26	82-541-032-01		Push key, REW	*	1
3-27	82-541-029-01		Push key, REC	*	1
3-28	82-541-248-01		Spring, Push lever	*	6
3-29	82-534-271-01		Tspring, REC lever	TPR-980	1
3-30	82-534-212-01		Collar, REC lever	TPR-980	1
3-31	82-541-224-01		Lever, REC	*	1
3-32	82-541-225-01		P spring, REC	*	1
3-33	82-541-281-01		Lever, One-push recording	*	1
3-34	82-541-274-01		Supporter, Circuit board	*	1
3-35	82-439-271-01		Lever, CrO <sub>2</sub> selector	TPR-300	1
3-36	82-534-266-01		Spring, CrO <sub>2</sub> selector	TPR-980	1
3-37	82-385-311-01		Thrust screw	AD-6300	1
3-38	82-541-260-01		Flywheel bearing plate	*	1
3-39	82-541-297-01		Plate spring, CrO <sub>2</sub> selector	*	1
3-40	82-534-294-01		Lock plate	TPR-980	1
3-41	82-534-295-01		T spring A, PAUSE	TPR-980	1
3-42	82-541-302-01		Metal fitting ass'y, Pause lock plate	*	1
3-43	82-283-289-01		Spring, Play idler lever	*	1
3-44	82-294-215-01		Plate, One-push recording	*	1
3-45	82-581-286-01		Earth plate, Worm gear	*	1
3-46	82-541-269-01		Pause lever ass'y	*	1
3-47	82-541-245-01		Spring, Sleep metal fitting	*	1
3-48	82-541-215-01		Slide lever, REC blocking	*	1
3-49	82-541-207-01		Metal fitting ass'y, REC blocking	*	1
3-50	82-541-219-01		Lever, REC blocking	*	1
3-51	87-087-029-01		Rubber cushion	*	3
3-52	82-541-217-01		Shaft, REC blocking lever	*	1
3-53	82-541-263-01		Metal fitting, Power switch	*	1
3-54	82-439-270-01		Brake plate	TPR-300	1
3-55	82-541-279-01		Motor pulley	*	1
3-56	82-541-230-01		Holder, Motor	*	1
3-57	82-290-212-01		Switch pressure plate	*	1
3-58	87-081-483-01		Motor screw, M2.6	*	3

The following is the part number list of the  marked parts of the PM-1 mechanism.

Ref. No.	Part No.	Description	Q'ty	Ref. No.	Part No.	Description	Q'ty
1-6	82-439-457-01	Lock plate	1	2-50	82-541-276-01	Flywheel ass'y	1
1-13	82-385-332-01	Spring B, Head adjusting.	1	2-51	82-385-314-21	Rubber belt	1
2-33	82-294-217-11	REC lever ass'y	1	2-52	82-385-311-01	Screw for thrust	1
2-49	82-541-278-01	Main belt	1	2-60	82-385-309-21	Worm gear B ass'y	1

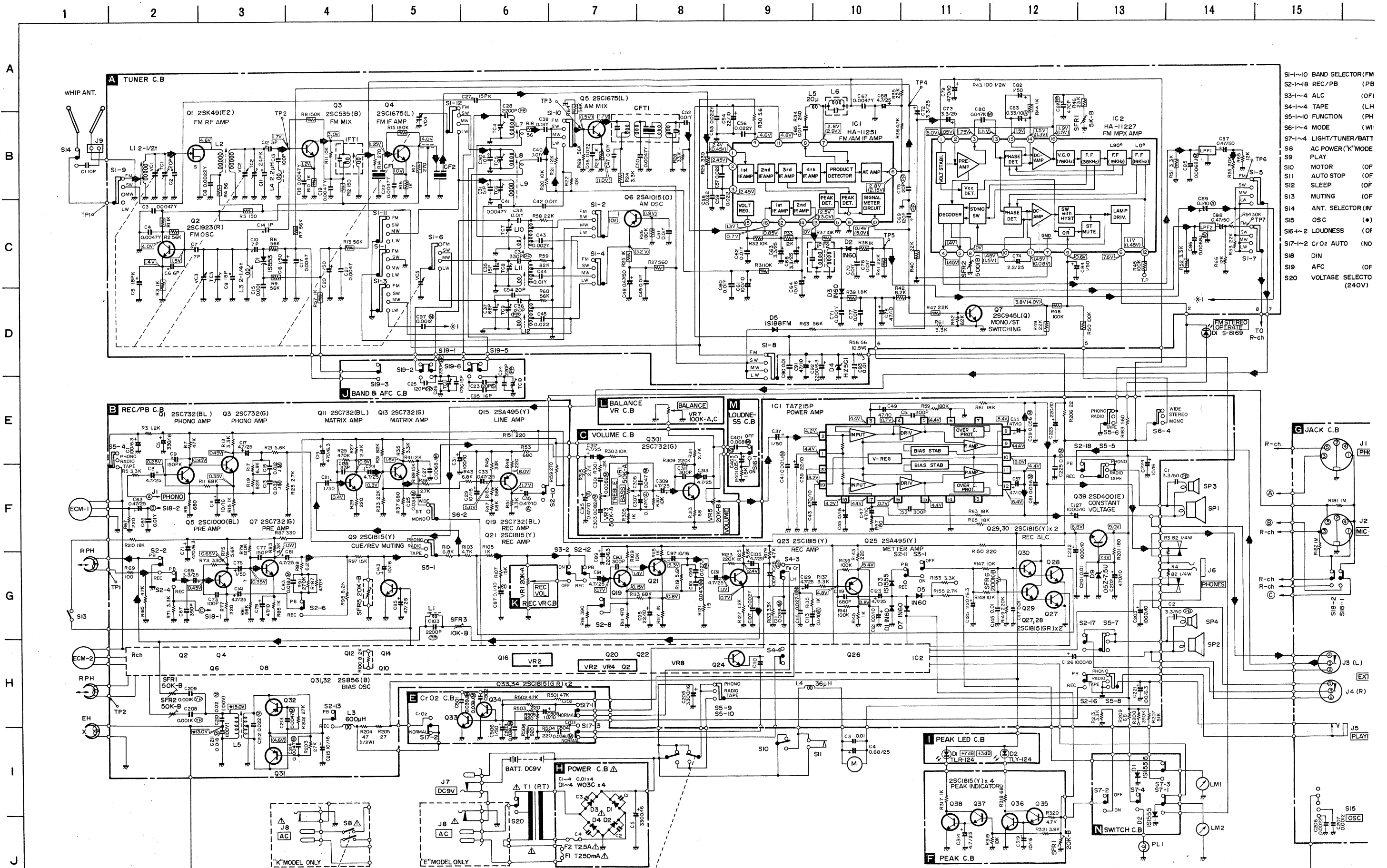
Ref. No.	Part No.	Description	Q'ty
1-101	87-351-100-01	VT <sub>1</sub> + 3-20	7

Ref. No.	Part No.	Description	Q'ty
2-101	87-253-073-01	U + 2.6-6	9
2-102	87-253-094-01	U + 3-6	2
2-103	87-231-094-21	Q + 3-6	1
2-104	87-341-036-21	VT <sub>1</sub> + 2-8	4
2-105	87-351-037-21	VT <sub>1</sub> + 2-10	1
2-106	87-351-095-01	VT <sub>1</sub> + 3-8	9
2-107	87-351-096-21	VT <sub>1</sub> + 3-10	23
2-108	82-351-097-21	VT <sub>1</sub> + 3-12	7
2-109	82-351-099-01	VT <sub>1</sub> + 3-16	1
2-110	87-351-102-01	VT <sub>1</sub> + 3-20	2
2-111	87-341-096-01	UT <sub>1</sub> + 3-10	2
2-112	87-231-096-01	QT <sub>1</sub> + 3-10	2
2-113	87-510-095-01	VTF + 3-8	10
2-114	87-081-165-01	W3-10-0.5	1

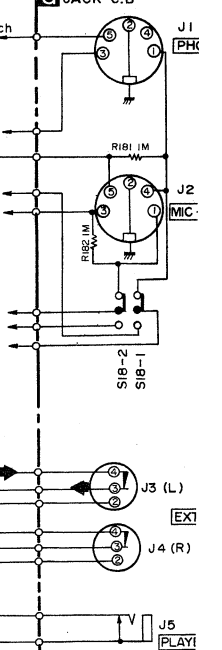
Ref. No.	Part No.	Description	Q'ty
2-115	87-081-015-01	FW3-8-0.5	2
2-116	87-081-017-01	FW3-8-1	1
2-117	87-081-464-01	PW1.8-5-0.5	5
2-118	87-421-309-01	SW-5	2
2-119	87-441-003-01	STE-1.5	1
2-120	87-441-012-01	STE-5	2
2-121	87-421-028-01	N-5	2
2-122	87-450-404-01	LA-4	1
2-123	87-450-414-01	LB-4	1
2-124	87-450-418-01	LB-8	2
2-125	87-511-095-01	VTF + 3-8	3
2-126	87-251-092-01	U + 3-4	2
2-127	87-251-036-71	U + 2-8	1
2-128	87-341-100-21	UT <sub>2</sub> + 3-16	2

Ref. No.	Part No.	Description	Q'ty
3-101	87-261-093-01	V + 3-5	1
3-102	87-263-094-01	V + 3-6	2
3-103	87-253-038-01	U + 2-12	2
3-104	87-253-092-11	U + 3-4	4
3-105	87-253-094-01	U + 3-6	1
3-106	87-253-095-01	U + 3-8	1
3-107	87-081-236-01	VS + 2-4	2
3-108	87-084-071-01	VS + 2.6-4	3
3-109	87-351-072-01	VT <sub>1</sub> + 2.6-4	2
3-110	87-351-095-01	VT <sub>1</sub> + 3-8	2
3-111	87-081-551-01	VT <sub>1</sub> + 3-21	1
3-112	87-342-074-01	UT <sub>1</sub> + 2.6-8	2

Ref. No.	Part No.	Description	Q'ty
3-113	87-081-501-01	VTT + 2.6-4	1
3-114	82-277-323-01	W2.2-6-0.3	2
3-115	87-081-165-01	W3-10-0.5	1
3-116	87-441-003-01	STE-1.5	2
3-117	87-441-009-01	STE-3	4
3-118	87-441-011-01	STE-4	1
3-119	87-442-003-01	STP-3	1
3-120	87-374-071-01	SS2.6-4	1
3-121	87-450-404-01	LA-4	1
3-122	87-450-414-01	LB-4	1
3-123	87-441-006-01	STE-2.3	2
3-124	87-261-033-21	V + 2-4	2



- SI-1~10 BAND SELECTOR (FM)
- S2-1~8 REC/PB (PB)
- S3-1~4 ALC (ALC)
- S4-1~4 TAPE (LH)
- S5-1~10 FUNCTION (PH)
- S6-1~4 MODE (WI)
- S7-1~4 LIGHT/TUNER/BATT
- S8 AC POWER ("K" MODE)
- S9 PLAY
- S10 MOTOR (OF)
- S11 AUTO STOP (OF)
- S12 SLEEP (OF)
- S13 MUTING (OF)
- S14 ANT. SELECTOR (IN)
- S15 OSC (•)
- S16~2 LOUDNESS (OF)
- S17-1~2 Cr/O2 AUTO (INO)
- S18 DIN
- S19 AFC (OF)
- S20 VOLTAGE SELECTO (240V)



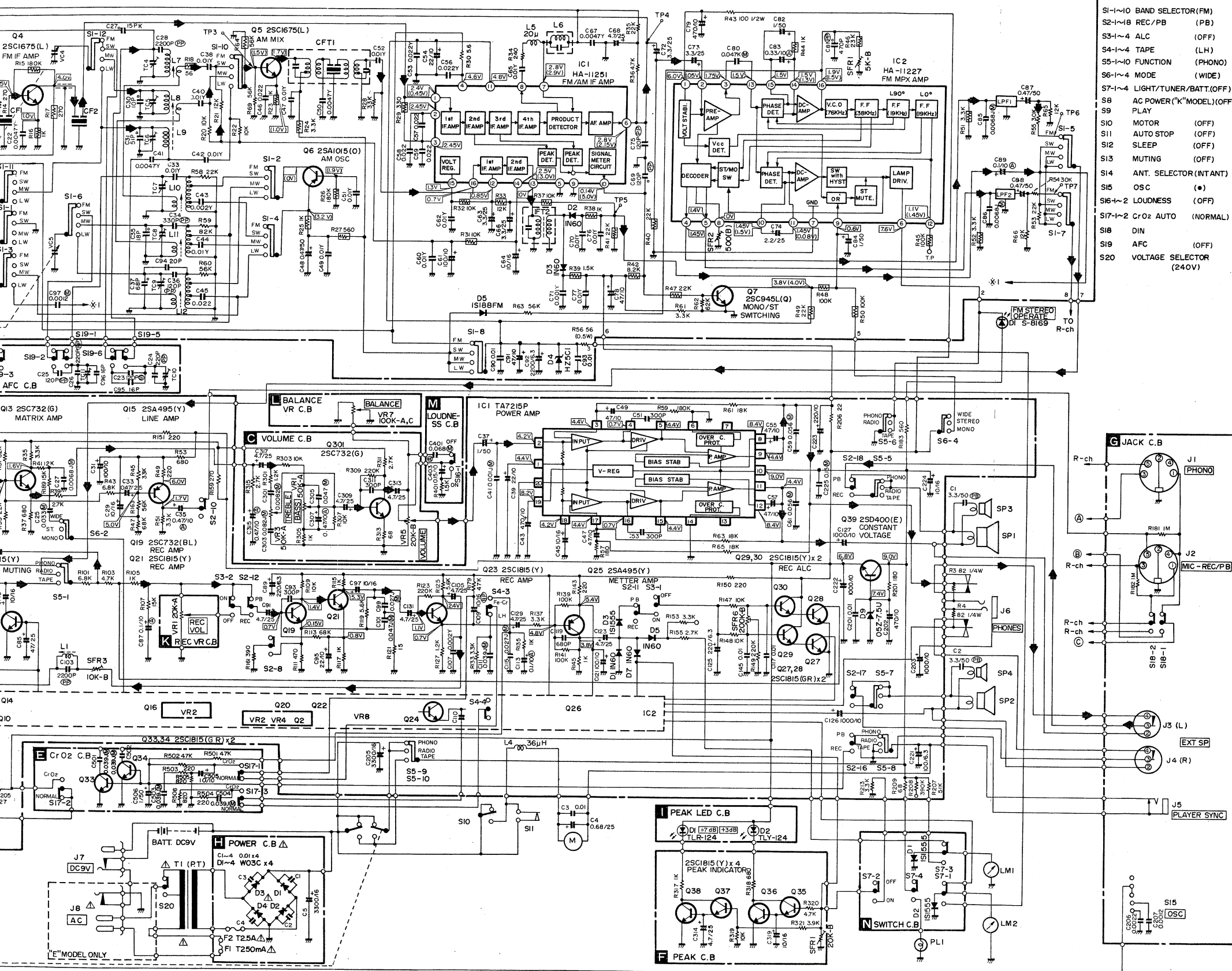
A  
B  
C  
D  
E  
F  
G  
H  
I  
J

1 2 3 4 5 6 7 8 9 10 11 12 13 14 15

"K" MODEL ONLY

"E" MODEL ONLY



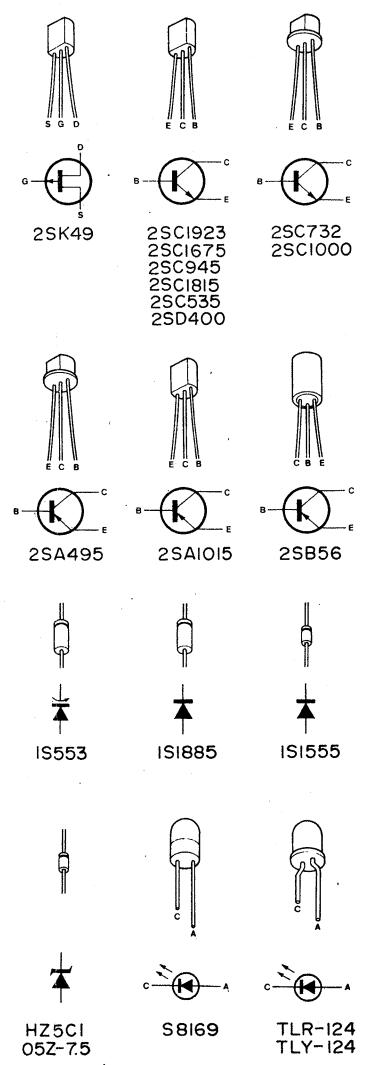


NOTES:

- 1) — B (+) power supply
  - 2) ➔ Signal path
  - ➔ Rec path, AM signal path.
  - 3) The voltage is the reference value measured with a tester (20 k-ohms/V DC) when there are no signals. But ( ) is with AM reception or recording. An asterisk (\*) indicates that the value was measured with a vacuum-tube voltmeter during recording.
  - 4) Resistors with no designation have a rated power of 1/4W and a tolerance of ±5%.
  - 5) Capacitors with no designation have a dielectric strength of less than 50WV.
  - 6) The only capacitor tolerances indicated are ±5% (J) and ±10% (K).
  - 7) Ceramic capacitor symbols:
    - For temperature compensation (SL)
    - ⊥ High dielectric constant system (YY)
    - ⊥ High dielectric constant system (YW, YP, YZ)
    - Semiconductor ceramic
  - 8) Explanation of symbols:
    - Ⓜ Mylar capacitor
    - ⓐ Aluminum solid capacitor
    - Ⓟ Polypropylene film capacitor
    - Ⓡ Printed resistor
    - Ⓡ Fuse resistor
    - ⚠ Safety component symbol

This symbol is given to important parts which serve to maintain the safety of the product, and which are made to conform to special safety specifications. Therefore, when replacing a component with this symbol, make absolutely sure that you use a designated part.
- This schematic diagram is subject to change without notice in the interests of improved performance.

- SI-1~10 BAND SELECTOR(FM)
- SI-1~8 REC/PB (PB)
- SI-1~4 ALC (OFF)
- SI-1~4 TAPE (LH)
- SI-1~10 FUNCTION (PHONO)
- SI-1~4 MODE (WIDE)
- SI-1~4 LIGHT/TUNER/BATT.(OFF)
- SI-8 AC POWER("K"MODEL)(OFF)
- SI-9 PLAY
- SI-10 MOTOR (OFF)
- SI-11 AUTO STOP (OFF)
- SI-12 SLEEP (OFF)
- SI-13 MUTING (OFF)
- SI-14 ANT. SELECTOR(INTANT)
- SI-15 OSC (●)
- SI-16~12 LOUDNESS (OFF)
- SI-17~12 CrO2 AUTO (NORMAL)
- SI-18 DIN
- SI-19 AFC (OFF)
- SI-20 VOLTAGE SELECTOR (240V)





ELECTRICAL MAIN PARTS LIST

Symbol No.	Part No.	Description
<b>« TUNER CIRCUIT BOARD SECTION »</b>		
PCB-A	82-541-662-01	Tuner circuit board
IC1	87-027-285-01	IC, HA-11251
IC2	87-027-296-01	IC, HA-11227
Q1	87-026-109-01	FET, 2SK49 (E2)
Q2	89-319-232-01	Transistor, 2SC1923 (R)
Q3	89-305-352-01	Transistor, 2SC535 (B)
Q4,5	89-316-752-01	Transistor, 2SC1675 (L)
Q6	89-110-153-01	Transistor, 2SA1015 (O)
Q7	89-309-455-01	Transistor, 2SC945L (Q)
D1	88-052-553-01	Diode, 1S553
D2,3	88-051-060-01	Diode, 1N60
D4	87-027-286-01	Zener diode, HZ5C1
D5	88-052-188-11	Diode, 1S188 (FM)
L1	82-539-657-01	FM antenna coil
L2	82-546-601-01	FM RF coil
L3	87-007-088-01	FM OSC coil, 2½t
L4	87-005-101-01	FM choke coil, 2.2µH
L5	87-005-104-01	Coil, 20µH
L6	87-008-182-01	FM IFT
L7	82-539-651-01	SW antenna coil
L8,9	82-541-642-01	LW, MW bar antenna coil
L10	87-007-092-01	SW OSC coil
L11	87-007-057-01	MW OSC coil
L12	82-479-664-11	LW OSC coil
VC1~5	87-011-105-01	PVC
TC2,3,7,8	87-011-099-01	Trimmer
TC1,4,5,6	85-708-604-21	Trimmer
TC9	87-011-021-01	Trimmer, 1AT-54
TC10	87-008-169-01	FM ceramic filter
CF1,2	87-008-162-01	AM ceramic filter transformer (E model only)
CFT1	87-008-150-01	Ceramic filter transformer (K model only)
IFT1	87-008-174-01	FM IFT
IFT2	87-008-164-01	AM IFT
LPF1,2	87-028-038-01	Low-pass filter
S1	82-541-688-01	Rotary switch (BAND SELECTOR)
SFR1	87-021-466-01	Semi-fixed resistor, 5kΩ-B
SFR2	87-021-527-01	Semi-fixed resistor, 500Ω-B
	87-032-534-01	Pin, 4P
PCB-O	82-541-663-01	Relay circuit board
<b>&lt; Capacitors &gt;</b>		
C89	87-015-311-01	0.1µF 10V Aluminum solid
C83	87-015-320-01	0.33µF 10V Aluminum solid
C36,69,75	87-014-035-01	120pF PP
C34	87-014-045-01	330pF PP
C81	87-014-049-01	470pF PP
C28	87-014-065-01	2200pF PP
C52	89-663-815-01	0.01µF Semiconductor
C45,46,53,56,57,58,59	87-017-003-01	0.022µF Semiconductor
<b>« REC/PB CIRCUIT BOARD SECTION »</b>		
PCB-B	82-541-652-11	REC/PB circuit board
IC1,2	87-027-227-01	IC, TA-7215P
Q1,2,11,12,19,20	89-307-326-01	Transistor, 2SC732 (BL)
Q3,4,7,8,13,14	89-307-325-01	Transistor, 2SC732 (G)
Q5,6	89-310-006-01	Transistor, 2SC1000 (BL)

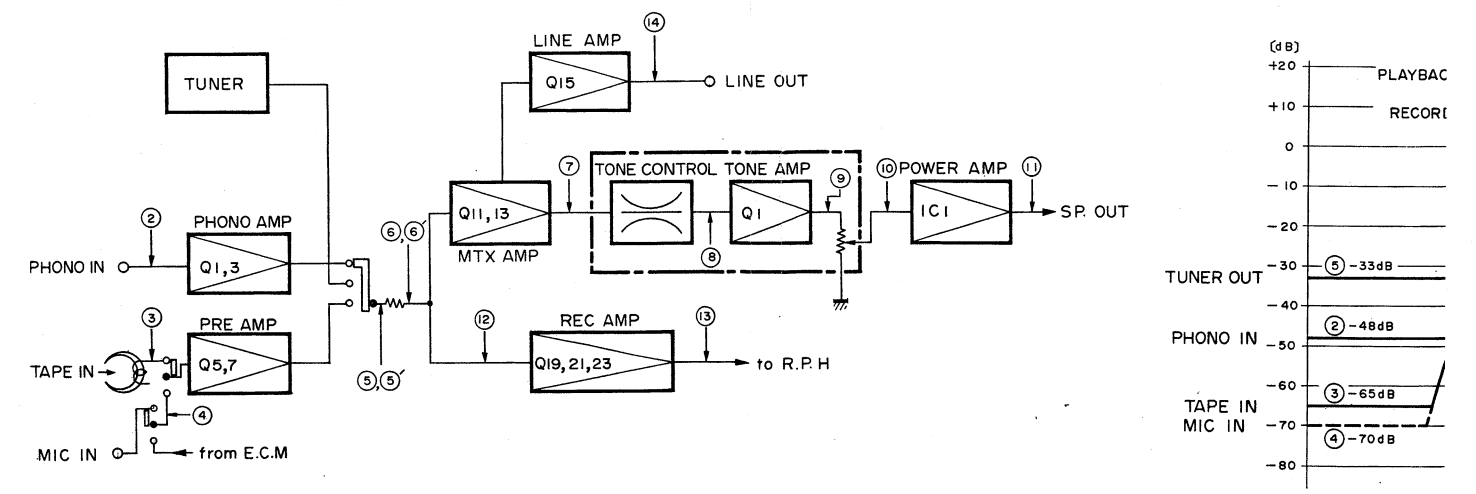
Symbol No.	Part No.	Description
Q9,10,21,22,23,24,29,30	89-318-154-01	Transistor, 2SC1815 (Y)
Q15,16,25,26	89-104-954-01	Transistor, 2SA495 (Y)
Q27,28	89-318-155-01	Transistor, 2SC1815 (GR)
Q31,32	89-200-562-01	Transistor, 2SB56 (B)
Q39	89-404-005-01	Transistor, 2SD400 (E)
D1,2,5,6,7,8	88-051-060-01	Diode, 1N60
D3,4	87-027-097-01	Diode, 1S1555
D9	87-027-228-01	Zener diode, 05Z-7.5 (U)
L1,2	87-003-044-01	Trap coil
L3	82-401-661-01	Choke coil, 600µH
L4	87-003-039-01	Choke coil, 36µH
L5	82-418-612-01	Bias OSC coil
S2	82-533-608-01	Slide switch (REC/PB)
S3,4	82-541-604-01	Lever switch (ALC,TAPE)
S5	82-541-606-01	Lever switch (FUNCTION)
S6	82-541-605-01	Lever switch (MODE)
SFR1,2	87-021-239-01	Semi-fixed resistor, 50kΩ-B
SFR3,4	87-021-357-01	Semi-fixed resistor, 10kΩ-B
SFR5	87-021-358-01	Semi-fixed resistor, 20kΩ-B
SFR6	87-021-454-01	Semi-fixed resistor, 200kΩ-B
<b>&lt; Capacitors &gt;</b>		
C87,88,113,114	87-015-311-01	0.1µF 10V Aluminum solid
C35,36	87-015-314-01	0.47µF 10V Aluminum solid
C109,110	87-015-141-01	10µF 16V Electrolytic BP
C103,104	87-014-065-01	2200pF PP
<b>« VOLUME CIRCUIT BOARD SECTION »</b>		
PCB-C	82-541-616-11	Volume circuit board
Q301,302	89-307-325-01	Transistor, 2SC732 (G)
VR1,2,3,4	82-541-623-01	Volume, 50kΩ-A (BASS, TREBLE)
VR5,6	82-541-646-01	Volume, 20kΩ-B (VOLUME)
<b>&lt; Capacitors &gt;</b>		
C307,308,315,316	87-015-314-01	0.47µF 10V Aluminum solid
<b>« JACK CIRCUIT BOARD SECTION »</b>		
PCB-D	82-541-658-01	Jack circuit board
J1~5	82-541-639-01	Jack plate ass'y (PHONO, MIC-REC/PLAY, EXT·SP, PLAYER SYNC)
S15	82-541-647-01	Slide switch (OSC)
<b>« CrO<sub>2</sub> CIRCUIT BOARD SECTION »</b>		
PCB-E	82-541-654-01	CrO <sub>2</sub> circuit board
Q33,34	89-318-155-01	Transistor, 2SC1815 (GR)
S17	87-031-381-01	Slide switch (CrO <sub>2</sub> )
<b>« PEAK CIRCUIT BOARD SECTION »</b>		
PCB-F	82-541-669-01	Peak circuit board
Q35,36,37,38	89-318-154-01	Transistor, 2SC1815 (Y)
SFR1	87-021-434-01	Semi-fixed resistor, 20kΩ-B
<b>« POWER CIRCUIT BOARD SECTION »</b>		
PCB-H	87-033-137-01	Power circuit board
D1~4	87-027-247-01	Diode, WQ3C
F1	87-035-145-01	Fuse, "T" 250mA
	87-098-010-01	Fuse label, "T" 250mA

Symbol No.	Part No.	Description
△ F2	87-035-139-01 87-098-020-01 87-032-323-01	Fuse "T" 2.5A Fuse label, "T" 2.5A Fuse clamp
<b>« PEAK LED CIRCUIT BOARD SECTION »</b>		
PCB-I	82-541-667-01	Peak LED circuit board
D1	87-027-262-01	Light emitting diode, TLR-124 (PEAK + 7 dB)
D2	87-027-263-01	Light emitting diode, TLY-124 (PEAK + 3 dB)
<b>« BAND &amp; AFC CIRCUIT BOARD SECTION »</b>		
PCB-J	82-541-649-01	Band & AFC circuit board
S19	82-541-643-01	Push switch (49 m band AFC)
TC10	87-011-021-01	Trimmer, 1AT-54
TC11	85-708-604-21	Trimmer
<b>&lt; Capacitor &gt;</b>		
C23,25	87-014-035-01	120pF PP
C24,26	87-014-041-01	220pF PP
<b>« REC VOLUME CIRCUIT BOARD SECTION »</b>		
PCB-K	82-541-668-01	REC volume circuit board
VR1,2	82-541-625-01	Volume, 20kΩ-A (REC VOLUME)
<b>« BALANCE VOLUME CIRCUIT BOARD SECTION »</b>		
PCB-L	82-541-666-01	Balance volume circuit board
VR7,8	82-541-624-01	Volume, 100kΩ-A (BALANCE)
<b>« LOUDNESS CIRCUIT BOARD SECTION »</b>		
PCB-M	82-541-653-01	Loudness circuit board
S16	82-541-644-01	Push switch (LOUDNESS)
<b>&lt; Capacitor &gt;</b>		
C403,404	87-015-367-01	0.15µF 10V Aluminum solid

Symbol No.	Part No.	Description
<b>« SWITCH CIRCUIT BOARD SECTION »</b>		
PCB-N	82-541-629-21	Switch circuit board
D1,2	87-027-097-01	Diode, 1S1555
S7	82-541-603-01	Slide switch (LIGHT/T BATT)
<b>« MISCELLANEOUS »</b>		
△ T1	82-541-645-11	Power transformer
D1	87-027-218-01	Light emitting diode, ε (OPERATE/FM STER REC/PB head
RPH	87-046-158-01	Eraser head
EH	87-046-127-01	Eraser head
ECM1,2	85-868-019-01	ECM, CMU-9 (B)
M	87-045-111-01	Motor
PL1	82-540-609-01	Pilot lamp (DIAL)
SP1,2	82-541-685-01	Speaker, Woofer
SP3,4	82-541-609-01	Speaker, Tweeter
LM1	82-541-610-01	Level meter A, L
LM2	82-541-611-01	Level meter B, R
△ S8	87-031-479-01	Push switch (AC POWER (K model only)
S9,10	87-031-419-01	Micro switch (PLAY, I
S11	87-031-393-01	Leaf switch (AUTO ST
S12	87-031-418-01	Micro switch (SLEEP)
S14	82-541-607-01	Slide switch (ANT SEL
△ S20	87-031-364-01	Slide switch (VOLTAC
J6	87-032-881-01	Jack 6.3φ (PHONES)
J7	82-266-214-11	DC jack
△ J8	87-032-434-01	AC jack
J9	82-488-656-01	FM DIN antenna termi
	87-036-013-01	RH core
<b>&lt; Capacitor &gt;</b>		
C1,2	82-981-610-01	3.3µF 50V Elect

△: Safety component symbol  
This symbol is given to important parts which maintain the safety of the product, and which conform to special safety specifications. There replacing a component with this symbol, make sure that you use a designated part.

LEVEL DIAGRAM



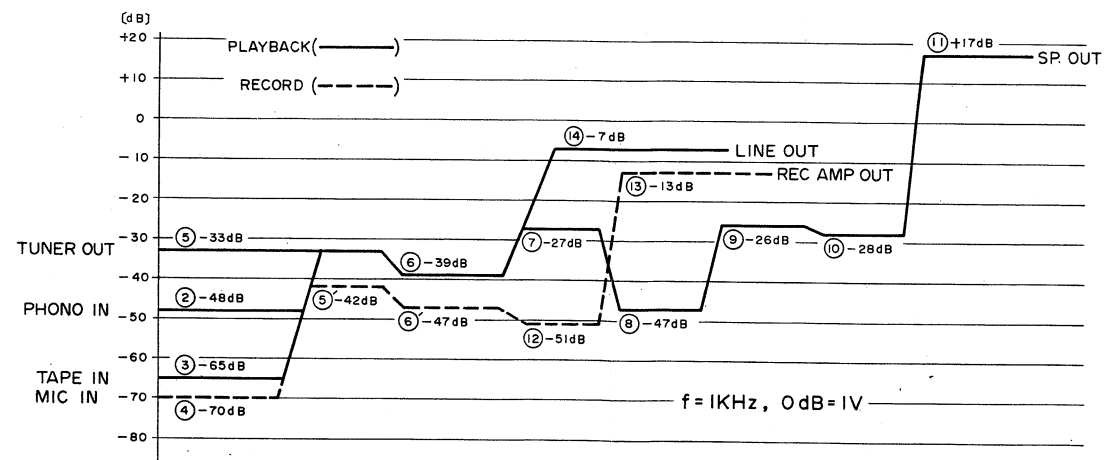
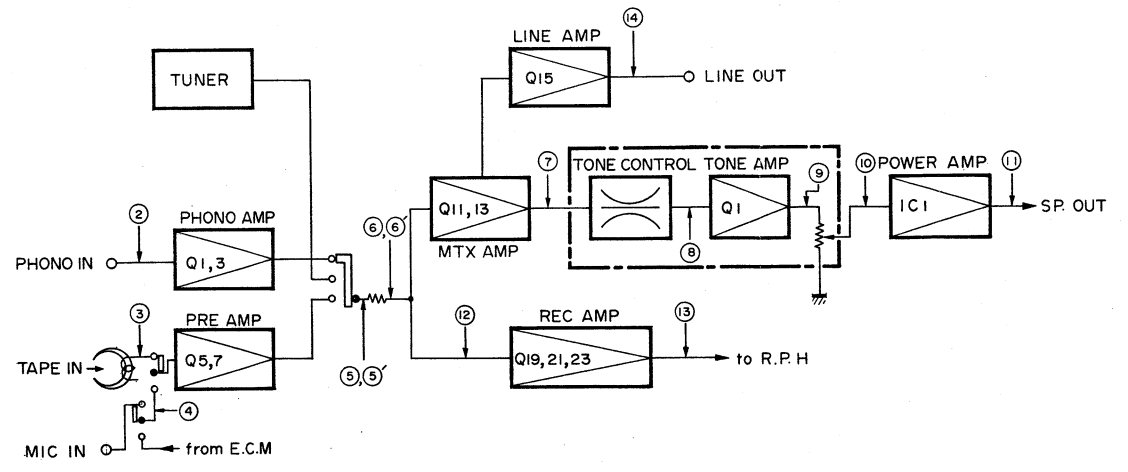
Symbol No.	Part No.	Description
0,21, 23,24, 30	89-318-154-01	Transistor, 2SC1815 (Y)
16,25,	89-104-954-01	Transistor, 2SA495 (Y)
28	89-318-155-01	Transistor, 2SC1815 (GR)
32	89-200-562-01	Transistor, 2SB56 (B)
	89-404-005-01	Transistor, 2SD400 (E)
5,6,	88-051-060-01	Diode, 1N60
	87-027-097-01	Diode, 1S1555
	87-027-228-01	Zener diode, 05Z-7.5 (U)
	87-003-044-01	Trap coil
	82-401-661-01	Choke coil, 600 $\mu$ H
	87-003-039-01	Choke coil, 36 $\mu$ H
	82-418-612-01	Bias OSC coil
	82-533-608-01	Slide switch (REC/PB)
	82-541-604-01	Lever switch (ALC, TAPE)
	82-541-606-01	Lever switch (FUNCTION)
	82-541-605-01	Lever switch (MODE)
1,2	87-021-239-01	Semi-fixed resistor, 50k $\Omega$ -B
3,4	87-021-357-01	Semi-fixed resistor, 10k $\Omega$ -B
5	87-021-358-01	Semi-fixed resistor, 20k $\Omega$ -B
6	87-021-454-01	Semi-fixed resistor, 200k $\Omega$ -B
		< Capacitors >
88,	87-015-311-01	0.1 $\mu$ F 10V Aluminum solid
3,114		
36	87-015-314-01	0.47 $\mu$ F 10V Aluminum solid
9,110	87-015-141-01	10 $\mu$ F 16V Electrolytic BP
3,104	87-014-065-01	2200pF PP
		< Volume Circuit Board Section >
	82-541-616-11	Volume circuit board
	89-307-325-01	Transistor, 2SC732 (G)
	82-541-623-01	Volume, 50k $\Omega$ -A (BASS, TREBLE)
	82-541-646-01	Volume, 20k $\Omega$ -B (VOLUME)
		< Capacitor >
7,308,	87-015-314-01	0.47 $\mu$ F 10V Aluminum solid
5,316		
		< Jack Circuit Board Section >
	82-541-658-01	Jack circuit board
	82-541-639-01	Jack plate ass'y (PHONO, MIC-REC/PLAY, EXT-SP, PLAYER SYNC)
	82-541-647-01	Slide switch (OSC)
		< CrO <sub>2</sub> Circuit Board Section >
	82-541-654-01	CrO <sub>2</sub> circuit board
	89-318-155-01	Transistor, 2SC1815 (GR)
	87-031-381-01	Slide switch (CrO <sub>2</sub> )
		< Peak Circuit Board Section >
	82-541-669-01	Peak circuit board
	89-318-154-01	Transistor, 2SC1815 (Y)
	87-021-434-01	Semi-fixed resistor, 20k $\Omega$ -B
		< Power Circuit Board Section >
	87-033-137-01	Power circuit board
	87-027-247-01	Diode, W03C
	87-035-145-01	Fuse, "T" 250mA
	87-098-010-01	Fuse label, "T" 250mA

Symbol No.	Part No.	Description
$\Delta$ F2	87-035-139-01	Fuse "T" 2.5A
	87-098-020-01	Fuse label, "T" 2.5A
	87-032-323-01	Fuse clamp
		< Peak LED Circuit Board Section >
	PCB-I	82-541-667-01 Peak LED circuit board
	D1	87-027-262-01 Light emitting diode, TLR-124 (PEAK + 7 dB)
	D2	87-027-263-01 Light emitting diode, TLY-124 (PEAK + 3 dB)
		< Band & AFC Circuit Board Section >
	PCB-J	82-541-649-01 Band & AFC circuit board
	S19	82-541-643-01 Push switch (49 m band AFC)
	TC10	87-011-021-01 Trimmer, 1AT-54
	TC11	85-708-604-21 Trimmer
		< Capacitor >
	C23,25	87-014-035-01 120pF PP
	C24,26	87-014-041-01 220pF PP
		< REC Volume Circuit Board Section >
	PCB-K	82-541-668-01 REC volume circuit board
	VR1,2	82-541-625-01 Volume, 20k $\Omega$ -A (REC VOLUME)
		< Balance Volume Circuit Board Section >
	PCB-L	82-541-666-01 Balance volume circuit board
	VR7,8	82-541-624-01 Volume, 100k $\Omega$ -A (BALANCE)
		< Loudness Circuit Board Section >
	PCB-M	82-541-653-01 Loudness circuit board
	S16	82-541-644-01 Push switch (LOUDNESS)
		< Capacitor >
	C403,404	87-015-367-01 0.15 $\mu$ F 10V Aluminum solid

Symbol No.	Part No.	Description
		< Switch Circuit Board Section >
	PCB-N	82-541-629-21 Switch circuit board
	D1,2	87-027-097-01 Diode, 1S1555
	S7	82-541-603-01 Slide switch (LIGHT/TUNER/BATT)
		< Miscellaneous >
$\Delta$ T1	82-541-645-11	Power transformer
D1	87-027-218-01	Light emitting diode, S8169 (OPERATE/FM STEREO)
RPH	87-046-158-01	REC/PB head
EH	87-046-127-01	Erase head
ECM1,2	85-868-019-01	ECM, CMU-9 (B)
M	87-045-111-01	Motor
PL1	82-540-609-01	Pilot lamp (DIAL)
SP1,2	82-541-685-01	Speaker, Woofer
SP3,4	82-541-609-01	Speaker, Tweeter
LM1	82-541-610-01	Level meter A, L
LM2	82-541-611-01	Level meter B, R
$\Delta$ S8	87-031-479-01	Push switch (AC POWER) (K model only)
S9,10	87-031-419-01	Micro switch (PLAY, MOTOR)
S11	87-031-393-01	Leaf switch (AUTO STOP)
S12	87-031-418-01	Micro switch (SLEEP)
S14	82-541-607-01	Slide switch (ANT SELECTOR)
$\Delta$ S20	87-031-364-01	Slide switch (VOLTAGE SELECTOR)
J6	87-032-881-01	Jack 6.3 $\phi$ (PHONES)
J7	82-266-214-11	DC jack
$\Delta$ J8	87-032-434-01	AC jack
J9	82-488-656-01	FM DIN antenna terminal
	87-036-013-01	RH core
		< Capacitor >
C1,2	82-981-610-01	3.3 $\mu$ F 50V Electrolytic BP

$\Delta$ : Safety component symbol  
 This symbol is given to important parts which serve to maintain the safety of the product, and which are made to conform to special safety specifications. Therefore, when replacing a component with this symbol, make absolutely sure that you use a designated part.

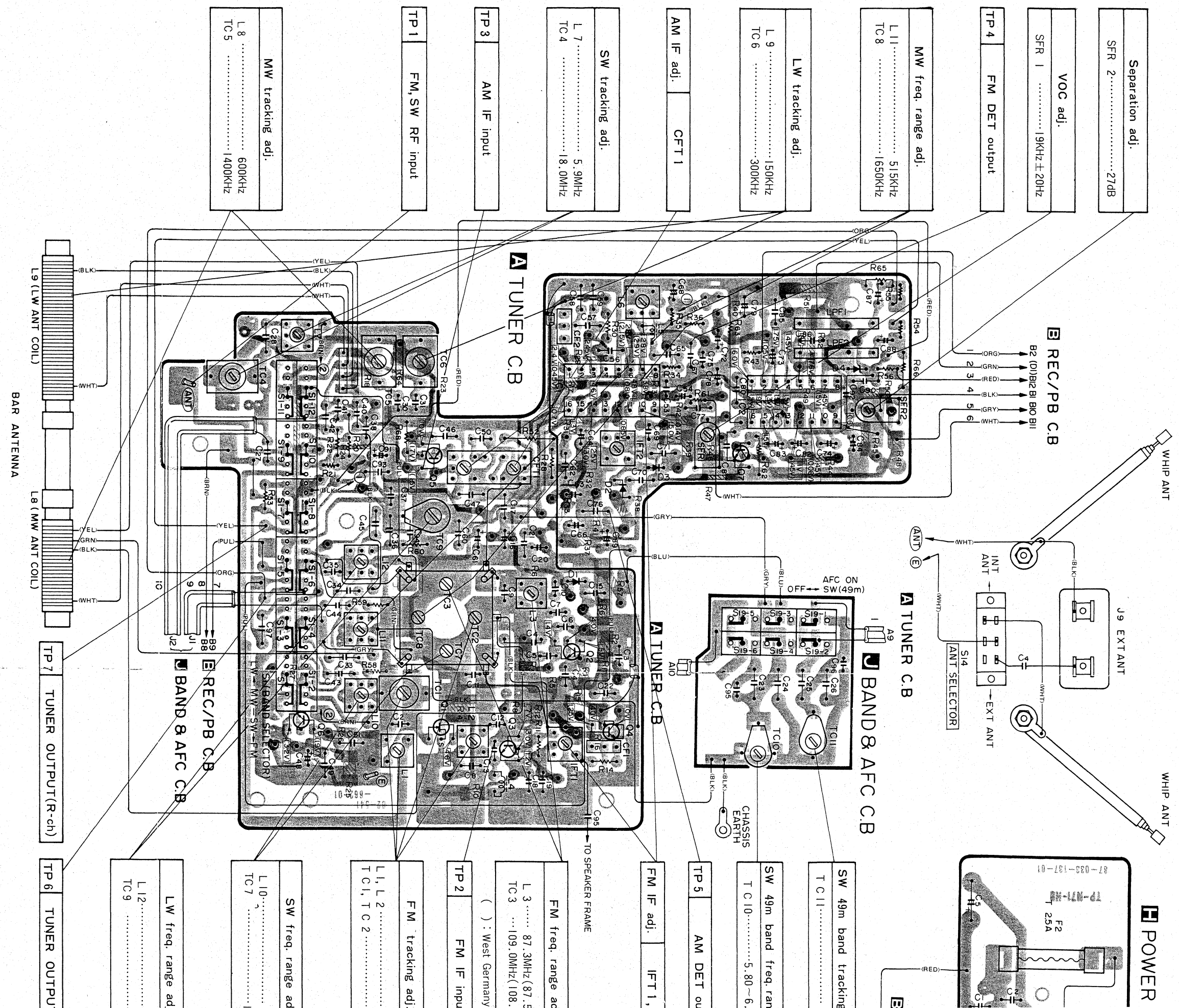
LEVEL DIAGRAM



WIRING-1

A B C D E F G H I J K L M

1 2 3 4 5 6 7 8 9 10 11



**NOTES**

(1) B (+) Pattern Component side pattern Others pattern

(2) The voltage is the reference value measured with a tester (20 k-ohms/V DC) when there are no signals. But ( ) is with AM reception.

How to change to upper

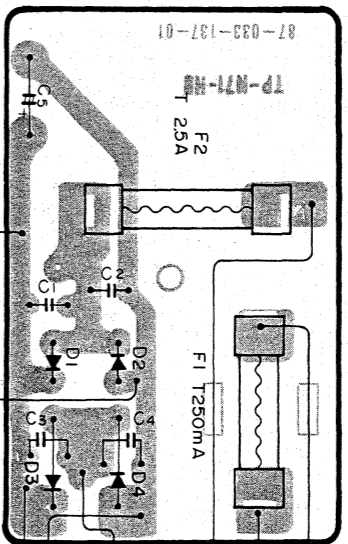
Symbol No.	
C2	
C9	
C11	
L2	

150

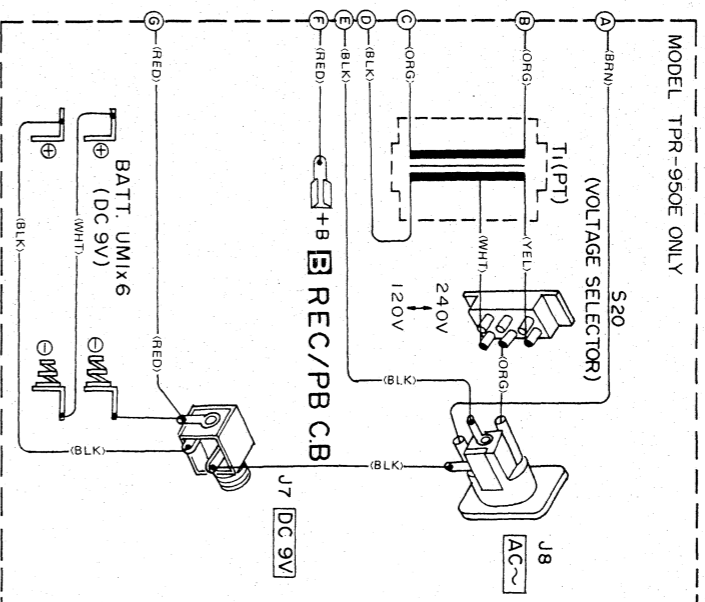
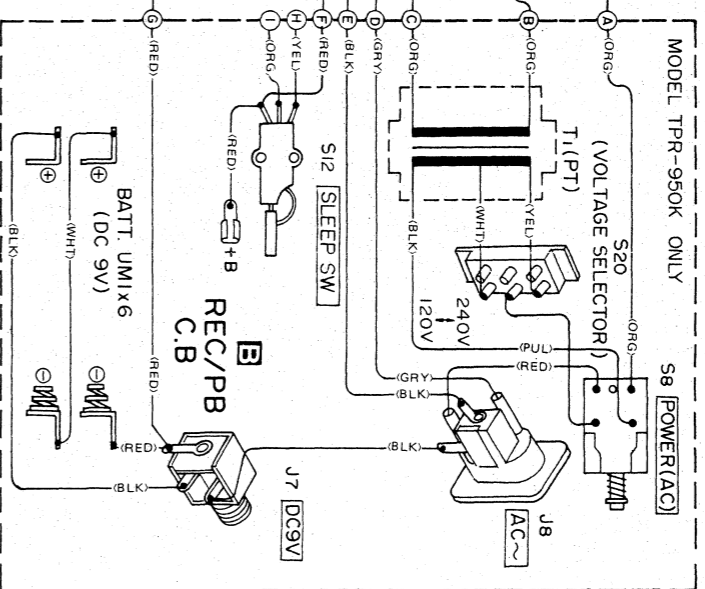


10 11 12 13 14 15 16 17 18 19

**H POWER C.B.**



**REC/PB C.B.**



**C.B.**

SW 49m band tracking adj.  
T C 11..... 6.1MHz

SW 49m band freq. range adj.  
T C 10..... 5.80~6.48MHz

TP 5 AM DET output

FM IF adj. IFT 1, L 6

FM freq. range adj.  
L 3 ..... 87.3MHz (87.5MHz)  
TC 3 ...109.0MHz (108.0MHz)

( ) : West Germany Model  
TP 2 FM IF input

FM tracking adj.  
L 1, L 2 ..... 88MHz  
T C 1, T C 2 ..... 108MHz

SW freq. range adj.  
L 10..... 5.7MHz  
T C 7 ..... 19.0MHz

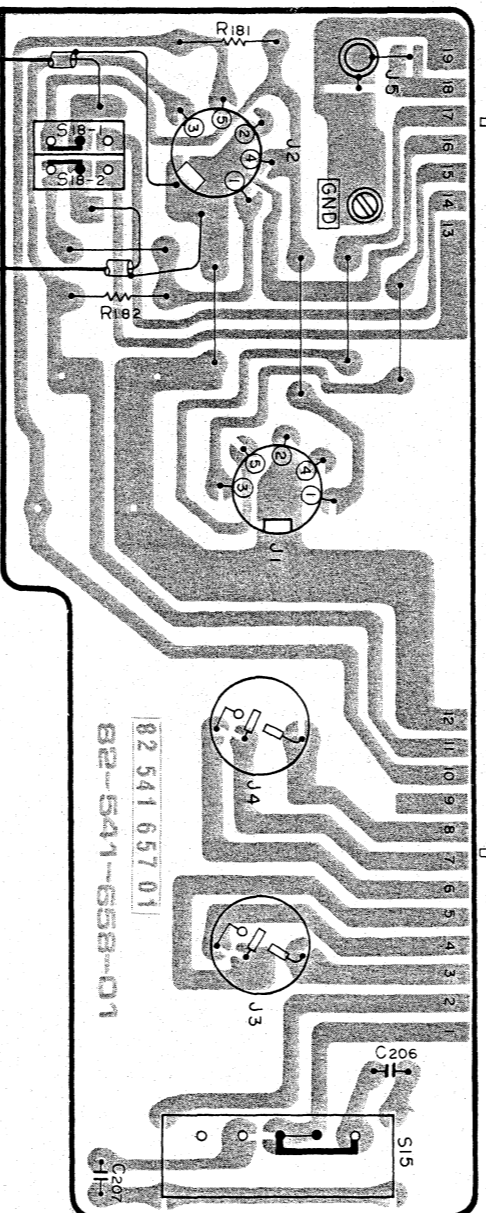
LW freq. range adj.  
L 12..... 145KHz  
T C 9 ..... 320KHz

TP 6 TUNER OUTPUT (L-ch)

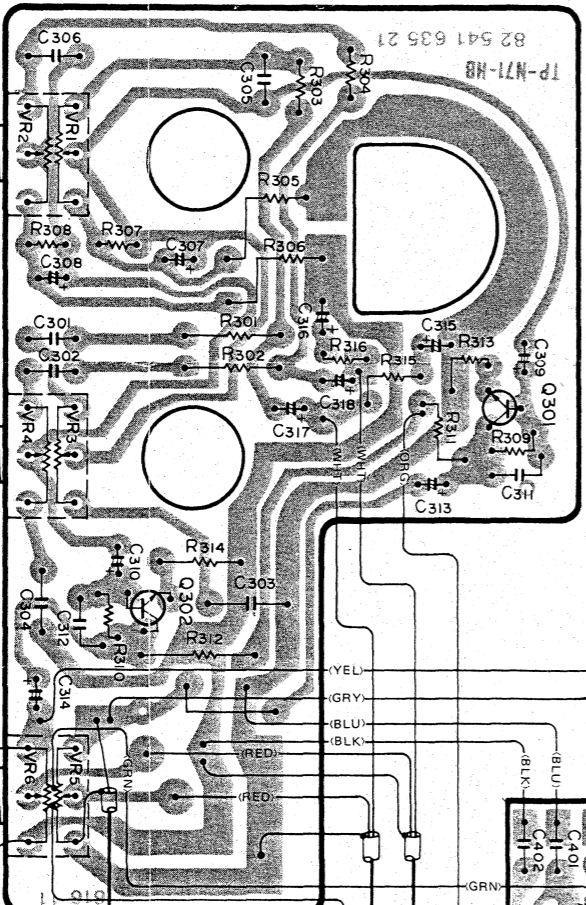
**REC/PB C.B.**

**JACK C.B.**

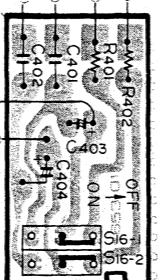
**REC/PB C.B.**



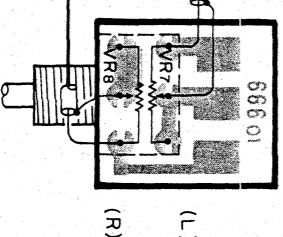
**VOLUME C.B.**



**LOUDNESS C.B.**



**BALANCE VR C.B.**



How to change to upper limit of FM frequency range from 108 MHz to 104 MHz:

Symbol No.	Description	108 MHz	104 MHz
C2	Ceramic Capacitor	20PF	33PF
C9	Ceramic Capacitor	18PF	33PF
C11	Ceramic Capacitor	24PF	27PF
L2	FM RF Coil	2-1/2t	Separate Coil from Bobbin 1/4t.

WIRING-2

1 2 3 4 5 6 7 8 9 10

A B C D E F G H I J K L M

**2. Tape speed adjustment**

**Setting:**

- Test tape: TTA-111A
- Test point: DIN output
- Adjustment location: SFR in motor

**Method:**

Play back the test tape and adjust so that the frequency is 3 KHz.

**6. Bias frequency adjustment**

**Setting:**

- ALC switch: OFF
- REC VOLUME: MIN
- OSC switch: "—"
- Test point: TP1 (or TP2)
- Adjustment location: L5

**Method:**

Adjust L5 so that the frequency at test point TP1 (or TP2) is 54.5 KHz.

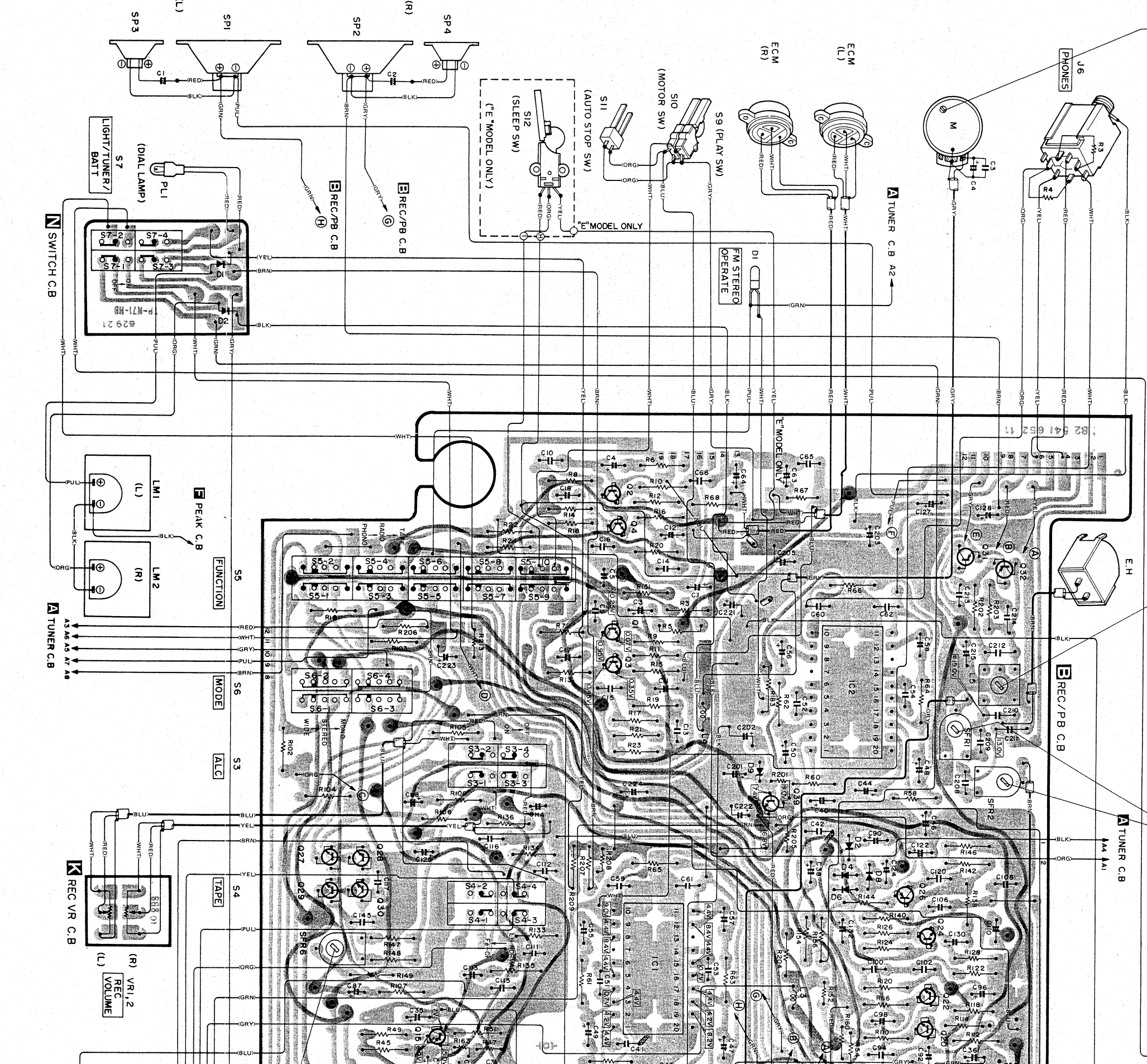
**8. Bias current adjustment**

**Setting:**

- Adjustment location: SFR1 (L-ch), SFR2 (R-ch)
- Others setting same as in the bias frequency adjustment.

**Method:**

Adjust SFR1(2) so that the voltage at test point TP1(2) is 20 mV (200  $\mu$ A).

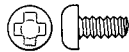


**NOTES**

- (1) B (+) Pattern Component side pattern Others pattern
- (2) The voltage is the reference value measured with a tester (20 k-ohms/V DC) when there are no signals. An asterisk (\*) indicates that the value was measured with a vacuum-tube voltmeter during recording.

## HARDWARE NOMENCLATURE

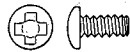
V: Pan head screw



N: Nut



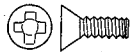
U: Binding head screw



STE: E ring



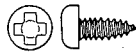
Q: Flat countersunk head screw



W: Washer



VT1: Pan head tapping screw



FW: Fiber washer

PW: Poly-slider washer

SW: Spring washer



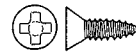
UT1: Binding head tapping screw



LA: Lug terminal plate



QT1: Flat countersunk head tapping screw



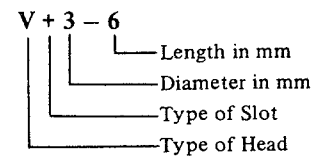
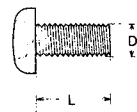
LB: Lug terminal plate



VS: Pan head screw with spring washer



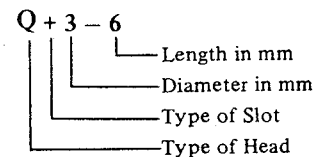
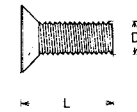
Example:



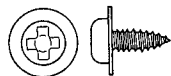
VTT: Pan head tap-tight screw



Example:



VTF: Flange and Pan head tapping screw



## ACCESSORIES/PACKAGE

Ref. No.	Part No.	Part No. Changed to	Description	Common Model	Q'ty
1	82-541-857-01		Printed indiv., Packing	*	1
2	82-541-852-01		Cushion L, Printed indiv.	*	1
3	82-541-853-01		Cushion R, Printed indiv.	*	1
4	87-051-137-01		Poly-vinyl sack (for AC power cord)		1
5	87-056-607-01		Poly-vinyl sack (for case)		1
6a	82-541-910-01		Instructions booklet (E model only)	*	1
6b	82-541-906-01		Instructions booklet (K model only)	*	1
7	82-541-907-01		Label, POP	*	1
8	87-051-171-01		Poly-vinyl sack (for instruction)		1
9	87-056-009-01		Distributors list		1
10	80-291-658-01		Tape cassette DMC-147		1
11a	87-034-883-01		AC power cord (E model only)		1
11b	87-034-871-01		AC power cord (K model only)		1
12	87-047-061-01		Battery SUM-1AE		6
13	87-056-008-01		Label, AC power cord (K model only)		1
14	87-056-016-01		Tag, Main voltage (K model only)		1
15	87-058-025-01		Head cleaning pole ass'y		1