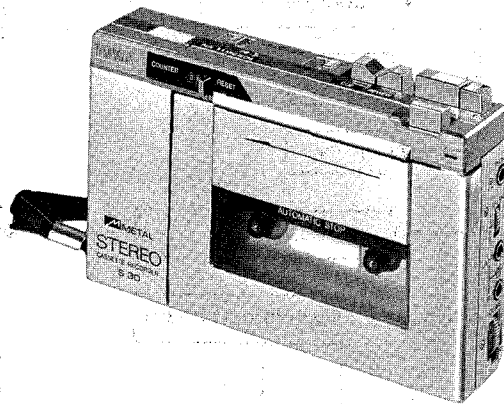


STEREO CASSETTE TAPE RECORDER

MODEL NO. **TP-S30Y, YU, YG**

AIWA® (SERVICE MANUAL)

Code No. 23-300-000-55



DATE OF ISSUE 9/1980

SPECIFICATIONS

< Tape recorder section >

| | |
|---|--|
| Type: | Stereo cassette tape recorder |
| Semiconductors: | 3 IC's, 6 transistors, 2 diodes, 1 LED |
| Power source: | Batteries DC 3V (SUMx2) Household AC power (thru AC adaptor) |
| Dimensions: | 139.9(W) x 80.8(H) x 26.8(D) mm [5-1/2"(W) x 3-1/4"(H) x 1-1/8"(D)] |
| Weight: | 365 g (0.8 lbs) (W/batteries) |
| Track type: | 4 tracks, 2 channel |
| Recording system: | AC bias |
| Erasing system: | MAGNET erasure |
| Tape speed: | 4.8 cm/s (1-7/8 ips) |
| Record bias frequency: | 41.5 kHz |
| Signal to noise ratio: (Unweighted) | 50 ± 3 dB (PB) 41 ± 4 dB (REC/PB) |
| Frequency response: | 40 ~ 12,500 Hz (NORMAL) 40 ~ 16,000 Hz (METAL) |
| Output power: | 33 mW + 33 mW (MAX) |
| Erasing ratio: | 59 ± 6 dB (1 kHz) |
| Distortion: | Less than 2% (PB) Less than 8% (RE/PB) |
| Motor: | DC electrical governor motor |
| Wow & flutter: | Less than 0.2% (WRMS) Less than 0.37% (RMS) |
| Auto stop system: | Mechanical full auto |

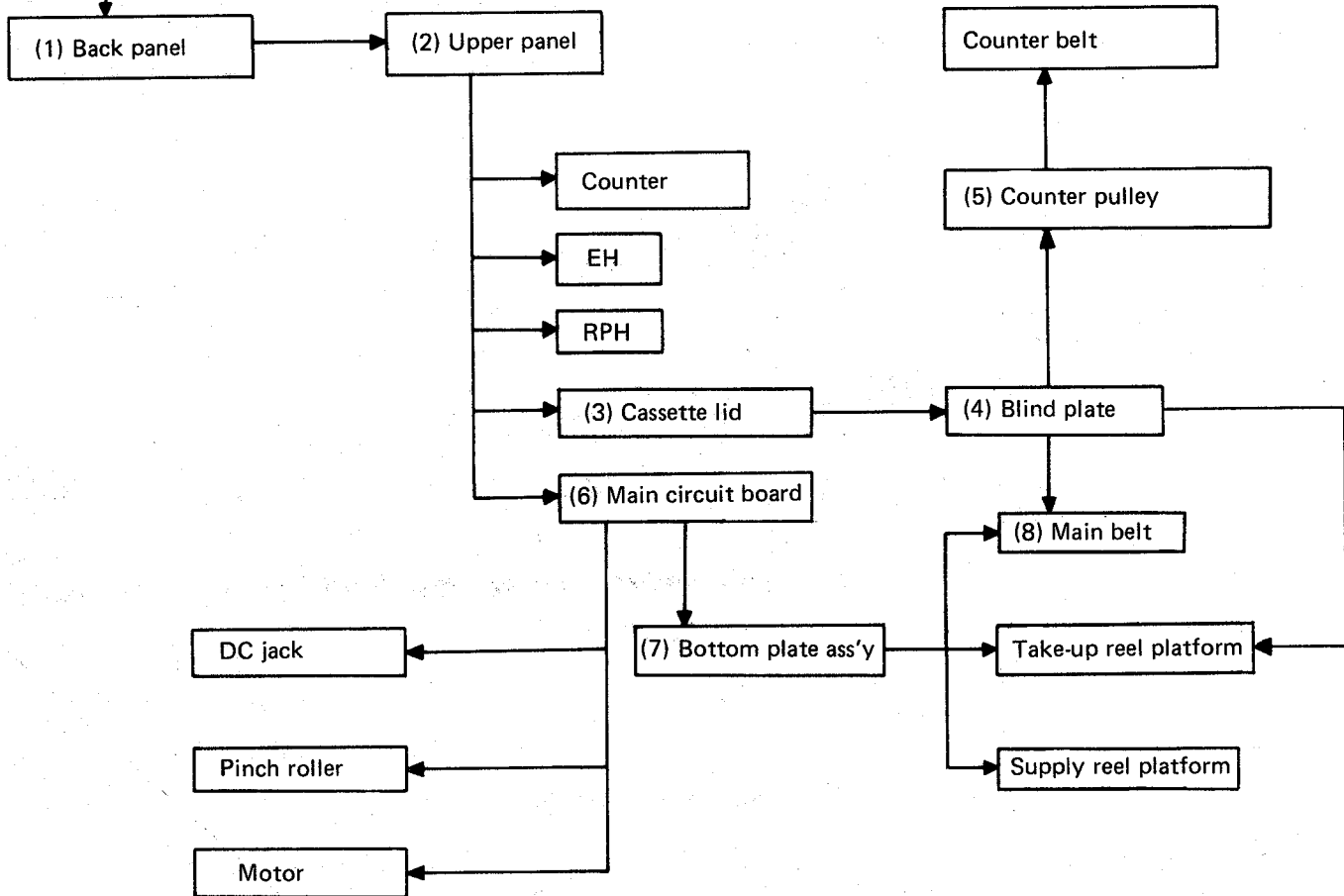
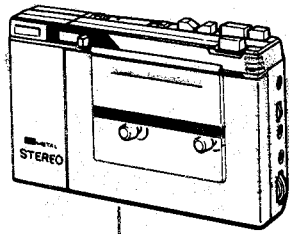
| | |
|--------------------------------|--|
| Auto stop action time: | 5 ⁺³ ₋₅ s. (at PLAY/REC) |
| Pinch roller pressure: | 220 ± 30 g |
| Take-up torque: | 40 ± 5 g-cm |
| FF torque: | More than 70 g-cm |
| Rewind torque: | More than 70 g-cm |
| Rewind, FF time: | 110 ± 20 s. |
| Input: | MIC/AUX 3.5φ jack |
| Max. input sensitivity: | MIC 0.3 mV/3.3 kΩ AUX 150 mV/1kΩ |
| Output: | Headphone jack (3.5φ) |

| | |
|---|---|
| Battery life under continuous use: | Recording—approximately 2 hours (EIAJ) with AIWA EXTRA batteries Playback—approximately 5 hours (EIAJ) with alkaline batteries |
|---|---|

< Headphone section >

| | |
|----------------------------|---------------------|
| Type: | Dynamic type |
| Impedance: | 28 ohms |
| Frequency response: | 20 ~ 20,000 Hz |
| Sensitivity: | 100 dB/mW |
| Maximum input: | 100 mW |
| Cord length: | 1.1 meter |
| Weight: | 38 g (without cord) |

* The specifications and external appearance of this set are subject to change without prior notice.

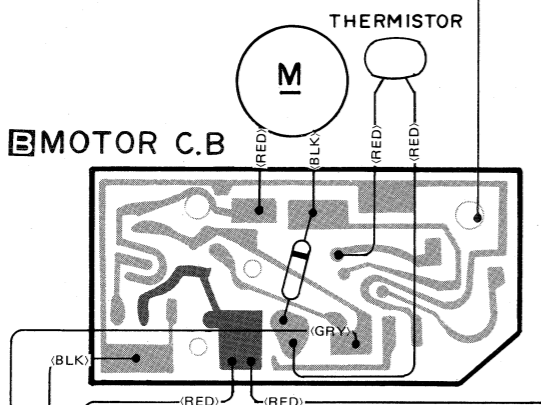


WIRING

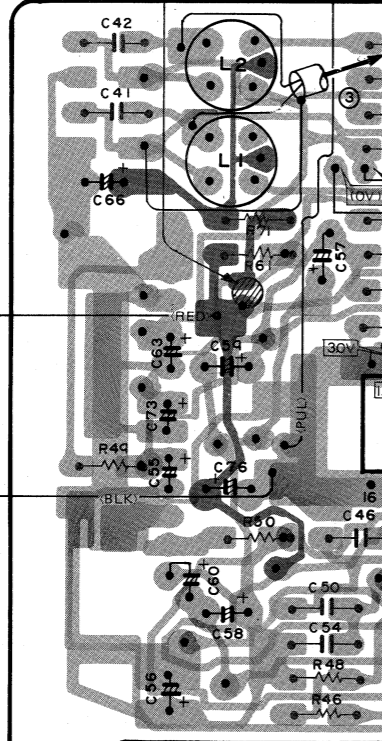
1 2 3 4 5 6 7 8 9 10 11 12 13 14 15

A
B
C
D
E
F
G
H
I
J

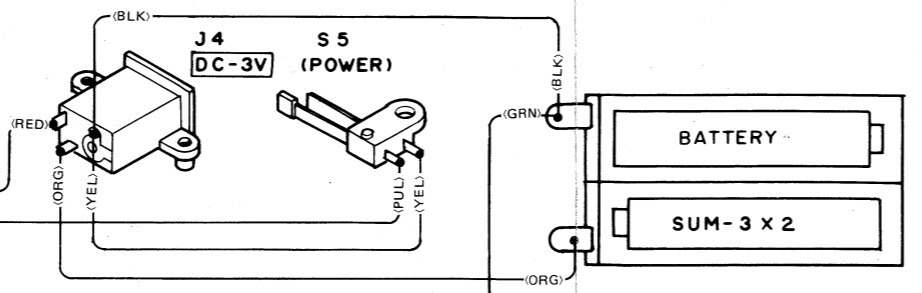
(1) Tape Speed Adjustment
 Settings: • Test tape: TTA-111S
 • Adjustment location: SFR in motor governor circuit board.
 Method: Playback the test tape and adjust SFR so that the frequency is 3000 Hz ± 2%.



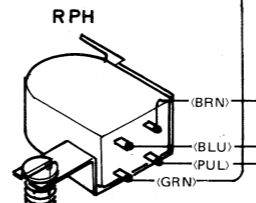
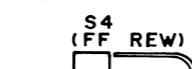
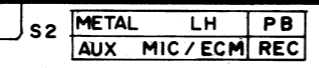
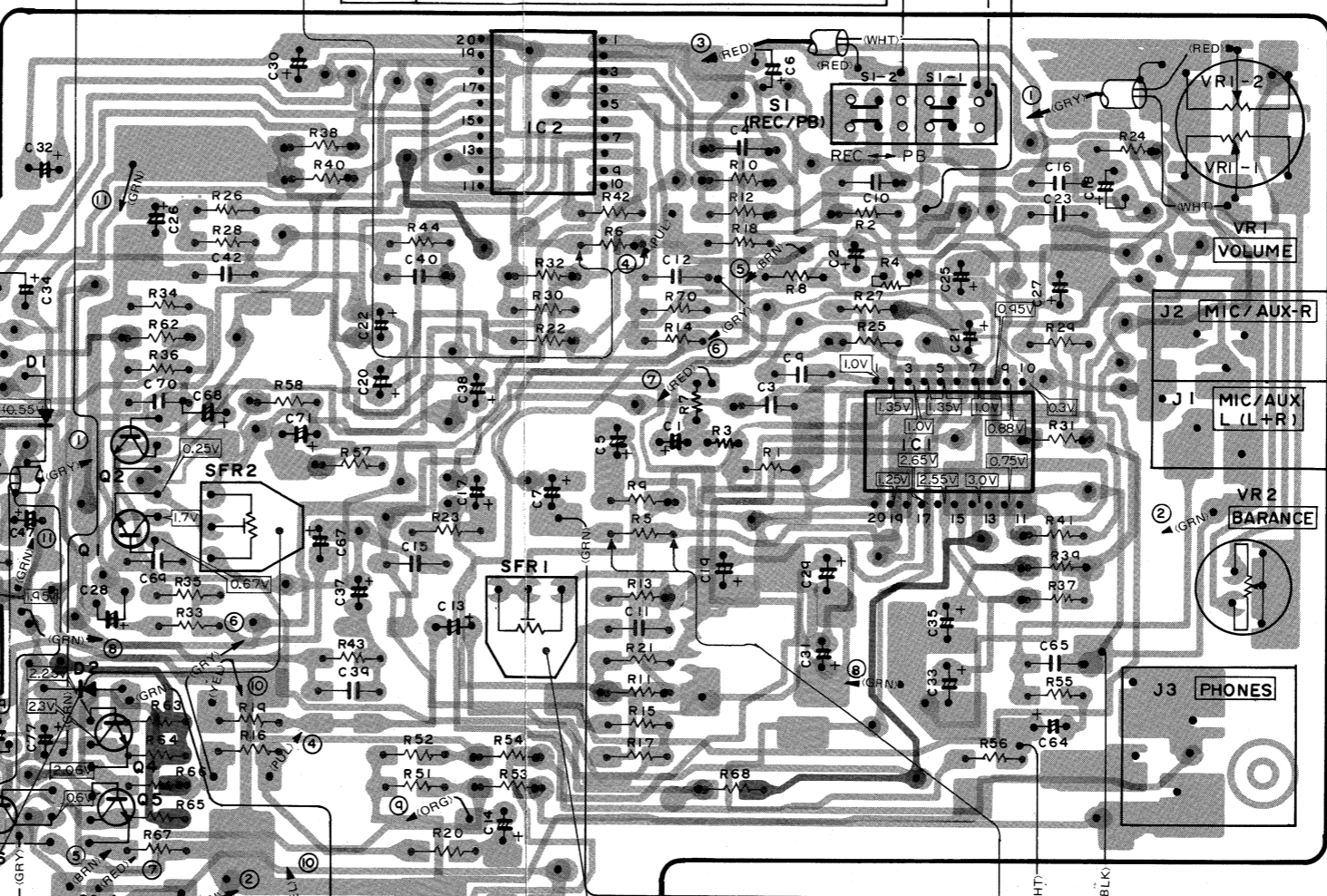
ALC ADJUSTMENT PATTERN



MAIN C.B.



TP 2 ALC BALANCE TEST POINT (R-ch)



TP 1 ALC BALANCE TEST POINT (L-ch)

(4) ALC Balance Adjustment
 Settings: • Recording mode
 • Input signal: MIC, 1 kHz, -50 dB
 • Test point: TP1 (L-ch), TP2 (R-ch)
 • Adjustment location: SFR2
 * ALC adjustment pattern: OPEN (cut)
 Method: Adjust SFR2 so that the voltage becomes the same for both TP1 and TP2.
 * ALC adjustment pattern: SHORT

(3) Playback Level Adjustment
 Settings: • Test tape: TTA-112A
 • TAPE SELECTOR: LH
 • VOLUME: Center position
 • BALANCE: Center position
 • Adjustment location: SFR1
 Method: Adjust SFR1 so that the right channel level becomes the same for left channel.

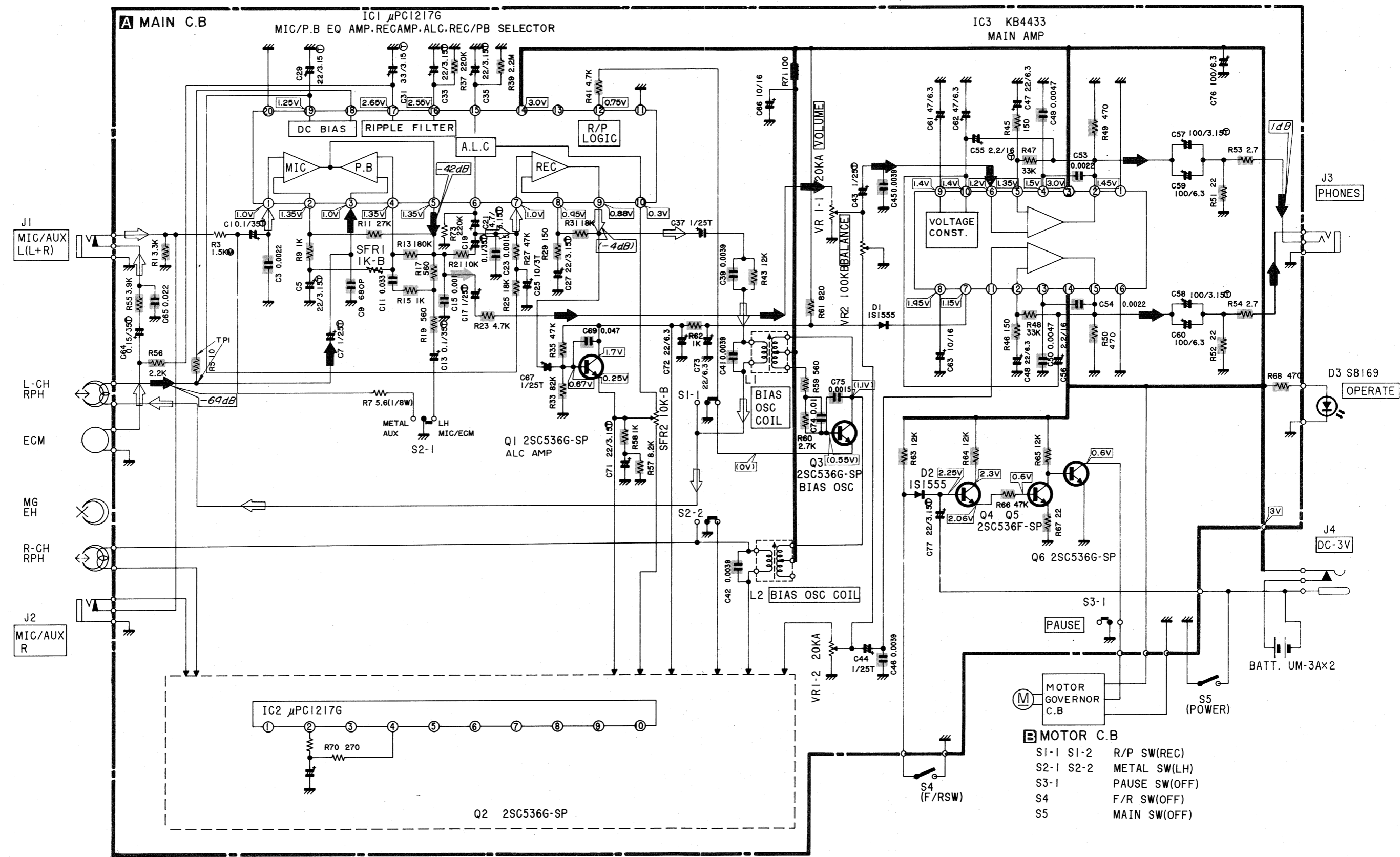
(2) Azimuth Adjustment
 Settings: • Playback mode
 • Test tape: TTA-117D
 • TAPE SELECTOR: LH
 • Adjustment location: azimuth adjusting screw
 Method: Playback the test tape and adjust the screw that the output of 8 kHz section reaches the maximum and same phase for both the left and right channel.

NOTES (1) ■ B(+) Pattern ■ Component side pattern ■ Others pattern
 (2) The voltage is the reference value measured with a tester (20 K ohms/V DC) when there are no signals. An asterisk (*) indicates that the value was measured with a vacuum-tube voltmeter during recording.

SCHEMATIC DIAGRAM

1 2 3 4 5 6 7 8 9 10 11 12 13 14 15

A
B
C
D
E
F
G
H
I
J



NOTES:

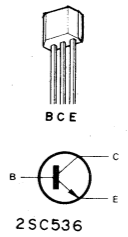
- 1) B (+) power supply
- 2) Signal path
- 3) Rec path
- 3) The voltage is the reference value measured with a tester (20 k-ohms/V DC) when there are no signals. But () is with recording. An asterisk (*) indicates that the value was measured with a vacuum-tube voltmeter during recording.

- 4) Resistors with no designation have a rated power of 1/16W and a tolerance of ±5%.
- 5) Capacitors with no designation have a dielectric strength of less than 50WV.
- 6) The only capacitor tolerances indicated are ±5% (J) and ±10% (K).
- 7) Ceramic capacitor symbols:
 - ||— High dielectric constant system (YW, YP, YZ)

- 8) Explanation of symbols
 - (M) Mylar capacitor
 - (T) Tantalum capacitor
 - Chip parts

This schematic diagram is subject to change without notice in the interests of improved performance.

- B MOTOR C.B.**
- S1-1 S1-2 R/P SW(REC)
 - S2-1 S2-2 METAL SW(LH)
 - S3-1 PAUSE SW(OFF)
 - S4 F/R SW(OFF)
 - S5 MAIN SW(OFF)



To disassemble the main parts

(1) Back panel

Remove the eight screws and take off the back panel cautiously as shown by the arrow. Since the sockets and the volume knobs are easily caught by the back panel. (See Figure 1.)

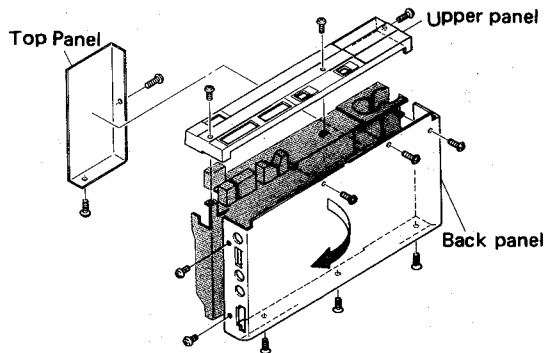


Fig. 1

— Note —

- * If it is difficult to fix the position of the sockets when refitting the back panel, put a plug into a socket after mounting the back panel temporarily, then locate the socket positions.
- * See the exploded view to determine proper screw size.

(2) Upper panel

Remove the three screws to take off the upper panel. (See Figure 1.)

— Note —

- * Two switch-knobs must be fitted as illustrated. (See Figure 2.)

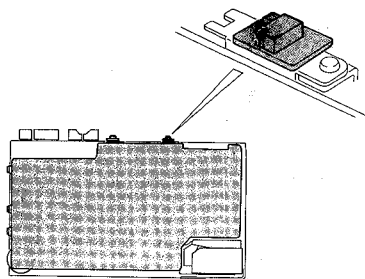


Fig. 2

(3) Cassette lid

- * It is easier to detach the top panel when removing and refitting the cassette lid. But do not force the top panel as it is fixed with double-sided tape. (See Figure 1.)

1) Remove the spring. (See Figure 3.)

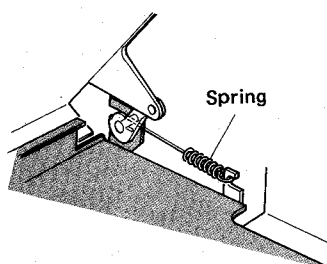


Fig. 3

2) Slide the cassette lid in the direction of the arrow and take it off. (See Figure 4.)

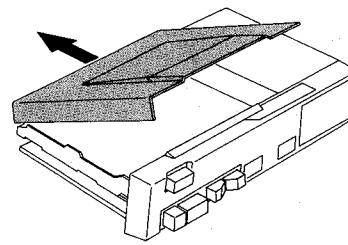


Fig. 4

— Note —

- * When refitting the cassette lid, fix properly the spindle of the cassette lid in the U-gap of the chassis. (See Figure 5.)
- * Make sure that the position of the spring is correct. (See Figure 3.)

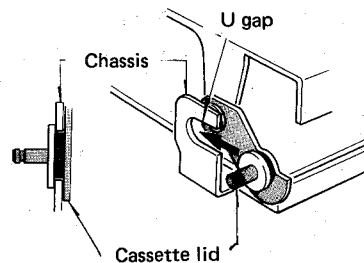


Fig. 5

(4) Blind plate

Remove the five screws. (See Figure 6.)

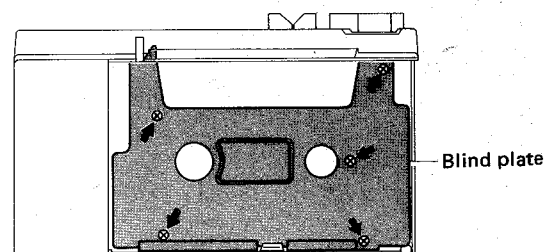


Fig. 6

— Note —

When refitting the blind plate, confirm the functions of the plate A and B, especially the spring positions. Because the plates are apt to become detached during function check. (See Figure 7.)

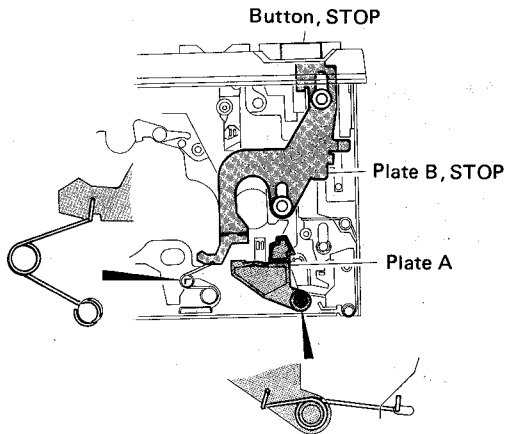


Fig. 7

(5) Counter pulley & Counter belt

- 1) Remove the poly-ethylene washer of the gear spindle.
- 2) Remove the counter belt. (See Figure 8.)

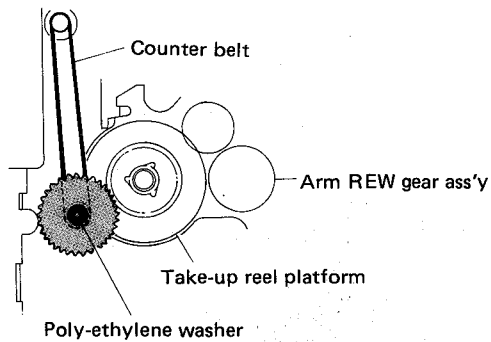


Fig. 8

(6) AF circuit board

- 1) Remove the two switch-knobs and the five screws.
- 2) Disconnect the two lead-wires from the ECM or take the ECM itself out of its supporter on the chassis.
- 3) Raise the circuit board in the direction of the arrow. (See Figure 9.)

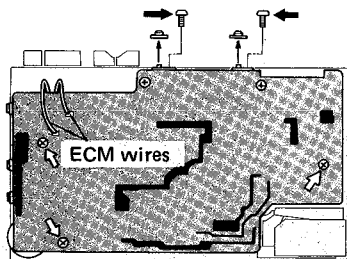


Fig. 9

(7) Bottom plate assembly

- 1) Set in FWD mode.
- 2) Remove the four screws.
- 3) Disconnect the black lead-wire and remove the bottom plate assembly. (See Figure 10.)

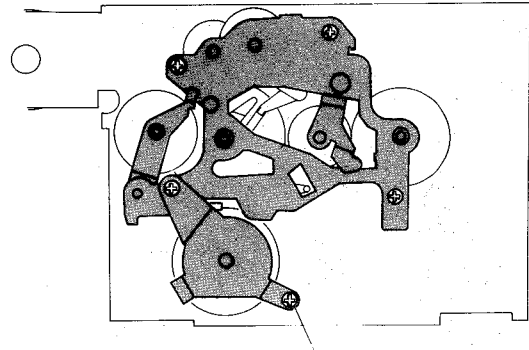


Fig. 10

— Note —

- * When refitting the bottom plate, follow as stated;
- 1) Set the bottom plate to FWD mode.
 - 2) Set lever indicated by the arrow "A" to the illustrated position.
 - 3) Make sure that levers "B" and "C" are set in the illustrated positions.
 - 4) Then fix the bottom plate with the four screws. (See Figure 11.)

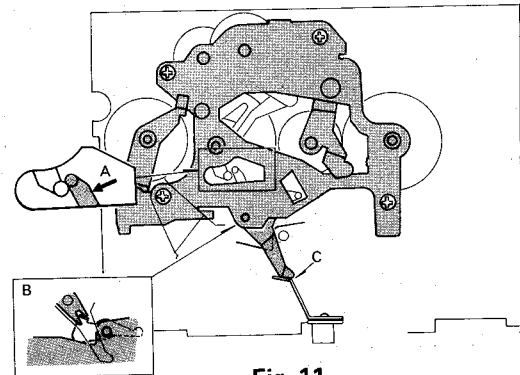


Fig. 11

(8) Main belt

- 1) Remove the bottom plate assembly. (See Figure 10.)
- 2) Remove the screw to take out the motor governor circuit board. (See Figure 12.)

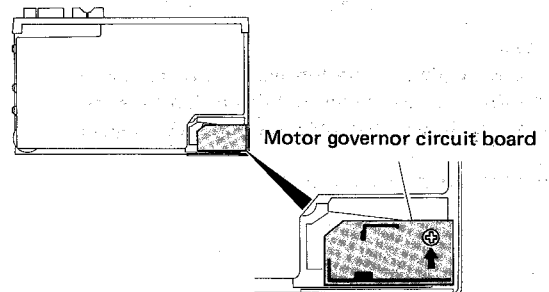


Fig. 12

— Note —

- * The main belt should be fitted correctly as illustrated. (See Figure 13.)

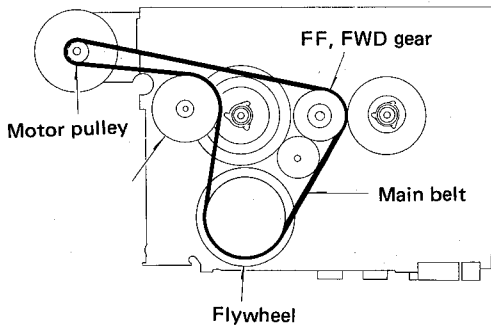


Fig. 13

Explanation of auto-stop function

(1) FWD/REC

- 1) By transmission from the take-up reel rotation, movement of lever W is of swinging "C ⇌ D" via cam on gear Y. On the other hand, plate X moves in the direction of "A" by means of slip torque from the take-up reel. But plate X is drawn back to the direction of "B" by stud on lever W when lever W swings in the direction of "C". Movement of the direction "D" of lever W releases plate X that is apt to move in the direction of "A". In this way, movement of "A ⇌ B" is generated. Stud on lever W, however, stops at gap "E" as long as the take-up is rotating. (See Figure 14.)
- 2) When the take-up reel stops, that is, at the end of the tape, the movement of "A ⇌ B" of plate X stops as well, but the movement of "C ⇌ D" of lever W continues due to the mechanism structure. This means that stud on lever W can move into gap "F" without being caught in the gap "E". (See Figure 14.)

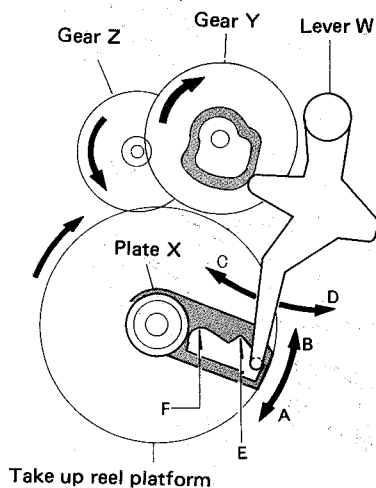


Fig. 14

- 3) When stud of lever W moves into gap "F", lever V for mechanism release is moved in the direction of "G", and then is engaged with gear Y. Finally, the other side of lever V is lifted in the direction of "H" and the FWD mechanism can be released. (See Figure 15.)

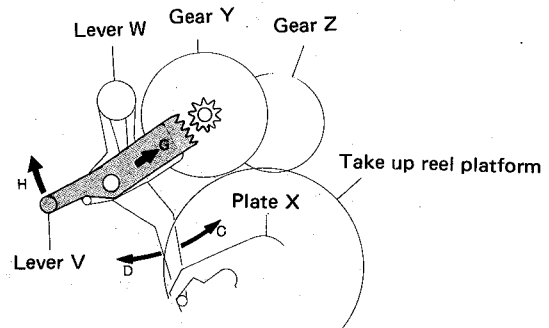


Fig. 15

— Note —

The auto-stop mechanism above works only on FWD & REC modes. On FF & REW modes, lever W is always pressed in the direction of "D" by a lever in order to avoid malfunction.

(2) FF & REW

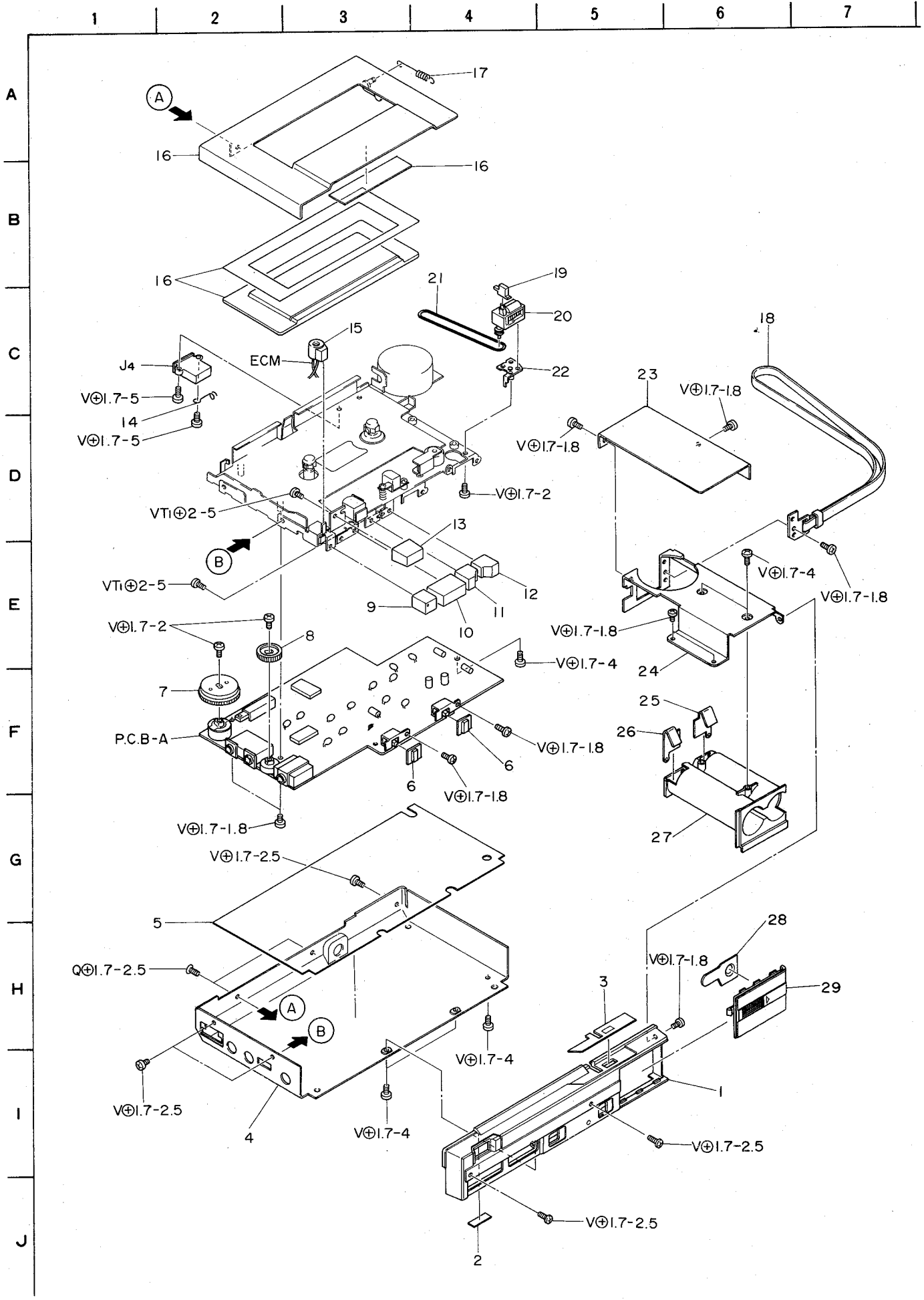
(See the circuit diagram)

- 1) The FF/REW auto-stop works electronically by means of transistors Q4 to Q6. The auto-stop time takes ten to twenty minutes due to tolerances of Q4, Q5 and C77, after FF or REW start.
- 2) C77 is connected with power supply in parallel through R63 and D2, and then always charged. When the FF or REW button is depressed, the F/R SW4 is on and C77 starts discharging. As soon as the charged level of C77 reaches transistor Q4's shut-off level, Q4 turns off → Q5 turns off, too → Q6 turns on. Then the control section of the motor governor circuit works and shuts motor off. The above condition is, though, released when reaching the STOP mode.

Disassembling chart diagram of main parts

- * To avoid troubles when disassembling or replacing the main parts, follow the chart diagram as below.

EXPLODED VIEW-1



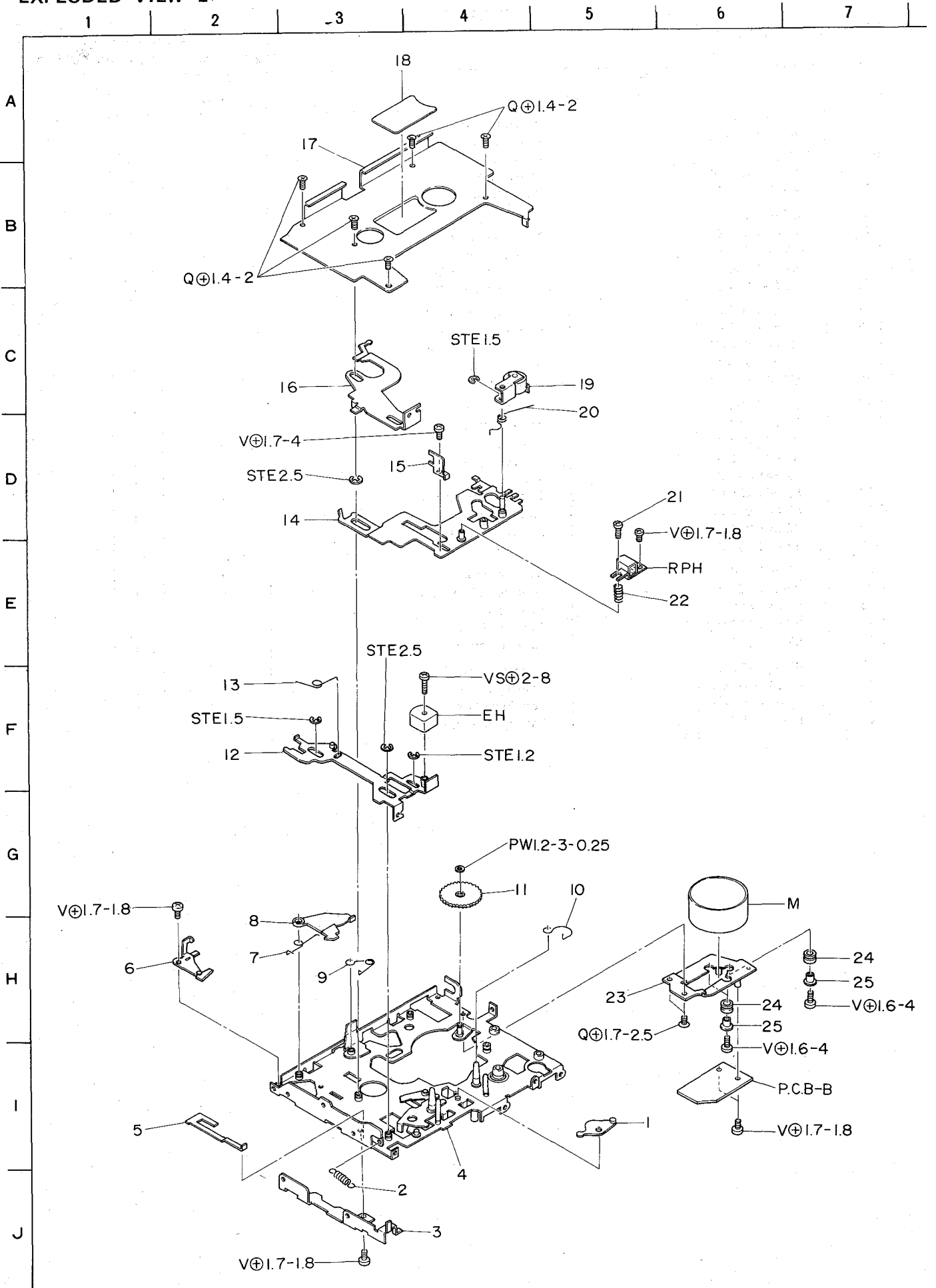
MECHANICAL PARTS

PARTS LIST

■ * mark in this part list shows exclusive part
(which is used) for only Model No. TP-S30.

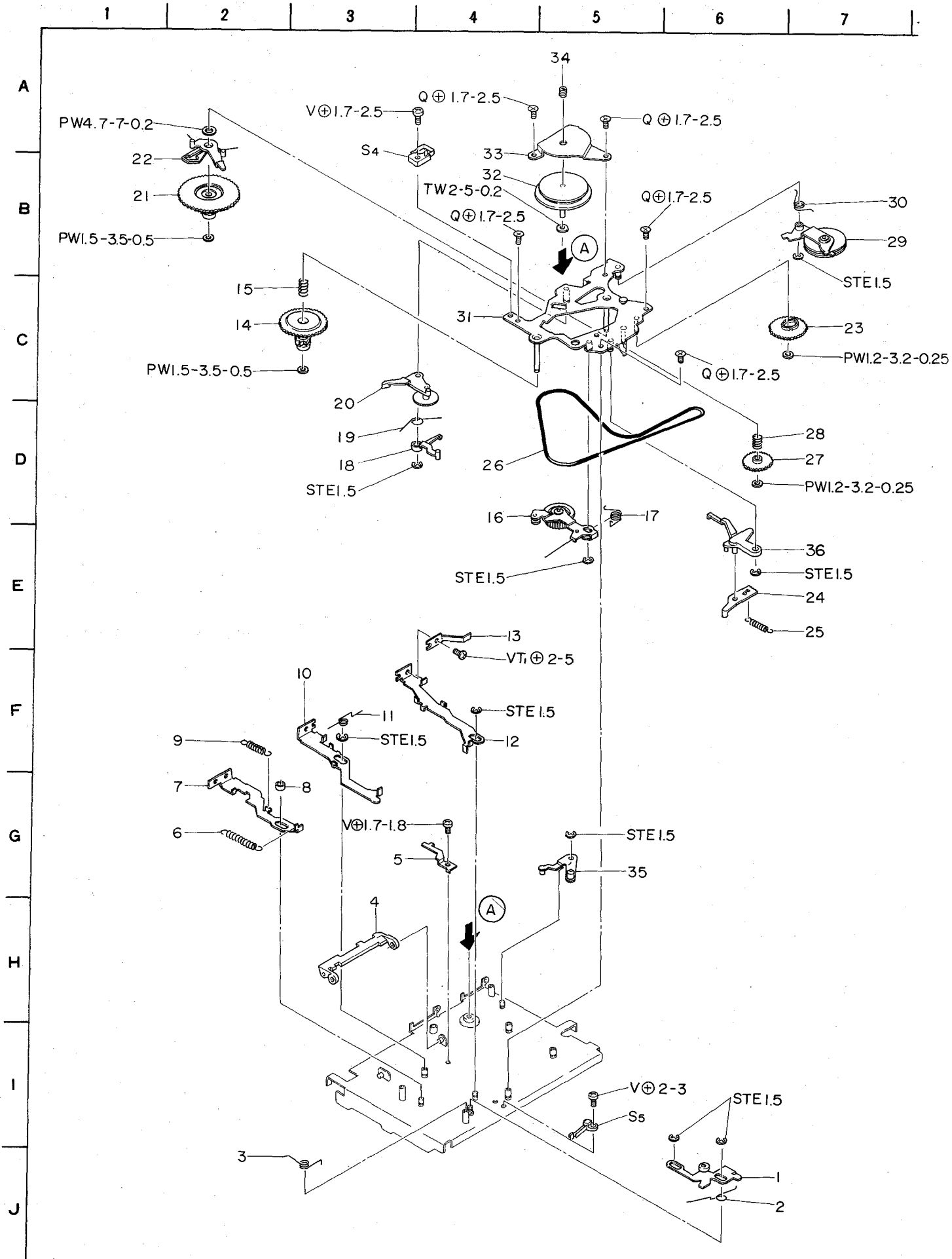
| Ref. No. | Part No. | Part No. Changed to | Description | Common Model | Q'ty |
|----------|---------------|------------------------|------------------------|-----------------|------|
| 1-1 | 82-641-004-01 | | Panel, Control | * | 1 |
| 1-2 | 82-641-228-01 | | Nylon sheet, 12-3-0.3 | * | 1 |
| 1-3 | 82-641-012-01 | | Window, Counter | * | 1 |
| 1-4 | 82-641-003-01 | | Panel, Rear | * | 1 |
| 1-5 | 82-641-220-01 | | Sheet A, Mylar | * | 1 |
| 1-6 | 82-641-011-01 | | Knob, Slide | * | 2 |
| 1-7 | 82-641-010-01 | | Knob, Volume | * | 1 |
| 1-8 | 82-641-020-01 | | Knob, Balance | * | 1 |
| 1-9 | 82-641-006-01 | | Push-Button, REC | * | 1 |
| 1-10 | 82-641-007-01 | | Push-Button, FWD | * | 1 |
| 1-11 | 82-641-019-01 | | Push-Button, REW | * | 1 |
| 1-12 | 82-641-009-01 | | Push-Button, FF | * | 1 |
| 1-13 | 82-641-008-01 | | Push-Button, STOP | * | 1 |
| 1-14 | 82-641-229-11 | | Holder, Wire | * | 1 |
| 1-15 | 82-641-210-01 | | Holder, ECM | * | 1 |
| 1-16 | 09-027-190-01 | | Cassette lid ass'y | * | 1 |
| | 82-641-013-01 | | Window, Cassette | * | 1 |
| | 82-641-217-01 | | Adhesive sheet | * | 1 |
| | 82-641-016-01 | | Cassette lid ass'y | * | 1 |
| | 82-641-235-01 | | Sheet D, Mylar | * | 1 |
| 1-17 | 82-641-204-01 | | E-spring, Cassette lid | * | 1 |
| 1-18 | 82-641-022-01 | | Strap ass'y | * | 1 |
| 1-19 | 82-641-014-01 | | Button, RESET | * | 1 |
| 1-20 | 87-040-135-01 | | Counter | | 1 |
| 1-21 | 82-641-214-01 | | Belt, Counter | * | 1 |
| 1-22 | 82-641-225-01 | | Counter holder ass'y | * | 1 |
| 1-23 | 82-641-001-01 | | Panel, Top | * | 1 |
| 1-24 | 82-641-212-01 | | Sub-chassis | * | 1 |
| 1-25 | 82-641-207-01 | | Terminal plate B | * | 1 |
| 1-26 | 82-641-208-01 | | Terminal plate C | * | 1 |
| 1-27 | 82-641-205-01 | | Holder, Battery | * | 1 |
| 1-28 | 82-641-206-01 | | Terminal plate A | * | 1 |
| 1-29 | 82-641-005-01 | | Battery room lid | * | 1 |

EXPLODED VIEW-2.



| Ref. No. | Part No. | Part No. Changed to | Description | Common Model | Q'ty |
|----------|---------------|------------------------|-------------------------------|-----------------|------|
| 2-1 | 82-639-232-01 | | Arm actuating chassis B ass'y | | 1 |
| 2-2 | 82-639-396-01 | | E-spring, Eject | | 1 |
| 2-3 | 82-641-209-01 | | Jack holder | * | 1 |
| 2-4 | 82-639-201-01 | | Chassis ass'y | | 1 |
| 2-5 | 82-639-252-01 | | Cam, Eject | | 1 |
| 2-6 | 82-639-378-01 | | Arm, REC blocking | | 1 |
| 2-7 | 82-639-261-01 | | T-spring, REC lock | | 1 |
| 2-8 | 82-639-255-01 | | Arm, REC lock | | 1 |
| 2-9 | 82-639-251-01 | | T-spring, Stop lever | | 1 |
| 2-10 | 82-639-416-01 | | T-spring, Slide chassis | | 1 |
| 2-11 | 82-639-283-01 | | Gear, Counter | | 1 |
| 2-12 | 82-639-367-01 | | Lever, REC ass'y | | 1 |
| 2-13 | 82-639-246-01 | | T-spring, REC lever | | 1 |
| 2-14 | 82-639-263-01 | | Actuating chassis ass'y | | 1 |
| 2-15 | 82-639-405-01 | | Guide, Tape | | 1 |
| 2-16 | 82-639-384-01 | | Stop lever ass'y | | 1 |
| 2-17 | 82-639-278-01 | | Plate H, Decorative plate | | 1 |
| 2-18 | 82-641-017-01 | | Label, Tape indication | * | 1 |
| 2-19 | 82-639-281-01 | | Pinch lever ass'y | | 1 |
| 2-20 | 82-639-285-01 | | T-spring, Pinch lever | | 1 |
| 2-21 | 87-081-955-01 | | Adjuster screw | | 1 |
| 2-22 | 82-299-354-01 | | C-spring, Head | | 1 |
| 2-23 | 82-639-399-01 | | Motor holder ass'y | | 1 |
| 2-24 | 82-299-321-01 | | Rubber | | 3 |
| 2-25 | 82-299-336-01 | | Collar, Motor | | 3 |

EXPLODED VIEW-3



| Ref. No. | Part No. | Part No. Changed to | Description | Common Model | Q'ty |
|----------|---------------|------------------------|-----------------------------|-----------------|------|
| 3-1 | 82-639-273-01 | | Brake ass'y | | 1 |
| 3-2 | 82-639-262-01 | | T-spring, Eject arm | | 1 |
| 3-3 | 82-639-416-01 | | T-spring, REC | | 1 |
| 3-4 | 82-639-270-01 | | Button, Lock plate | | 1 |
| 3-5 | 82-639-271-01 | | P-spring, Lock plate | | 1 |
| 3-6 | 82-639-243-01 | | E-spring, Play lever | | 1 |
| 3-7 | 83-639-386-01 | | Play lever ass'y | | 1 |
| 3-8 | 82-639-276-01 | | Roller, Brake | | 1 |
| 3-9 | 82-639-244-01 | | E-spring, Slide chassis | | 1 |
| 3-10 | 82-639-381-01 | | REW lever ass'y | | 1 |
| 3-11 | 82-639-241-01 | | T-spring, FF REW lever | | 1 |
| 3-12 | 82-639-237-01 | | FF lever ass'y | | 1 |
| 3-13 | 82-639-239-01 | | P-spring, FF lever | | 1 |
| 14~31 | 82-639-299-01 | | Bottom plate ass'y | | |
| 3-14 | 82-639-325-01 | | Supply reel platform ass'y | | 1 |
| 3-15 | 82-639-375-01 | | C-spring, Back tension | | 1 |
| 3-16 | 82-639-340-01 | | Arm REW gear ass'y | | 1 |
| 3-17 | 82-639-345-01 | | T-spring, REW gear | | 1 |
| 3-18 | 82-639-354-01 | | Arm, Sensor eject | | 1 |
| 3-19 | 82-639-408-01 | | T-spring, FF gear | | 1 |
| 3-20 | 82-639-349-01 | | FF gear ass'y | | 1 |
| 3-21 | 82-639-313-01 | | Take-up reel platform ass'y | | 1 |
| 3-22 | 82-639-390-01 | | Sensor ass'y | | 1 |
| 3-23 | 82-639-360-01 | | Cam, Auto stop | | 1 |
| 3-24 | 820639-357-01 | | Arm, Eject gear | | 1 |
| 3-25 | 82-639-358-01 | | E-spring, Eject gear | | 1 |
| 3-26 | 82-639-298-01 | | Belt, Main | | 1 |
| 3-27 | 82-639-359-01 | | Gear, Auto stop | | 1 |
| 3-28 | 82-639-421-01 | | C-spring, Cam auto gear | | 1 |
| 3-29 | 82-639-330-01 | | Take-up ass'y | | 1 |
| 3-30 | 82-639-339-01 | | T-spring, Take-up arm | | 1 |
| 3-31 | 82-639-300-01 | | Bottom plate semi ass'y | | 1 |
| 3-32 | 82-639-289-01 | | Flywheel ass'y | | 1 |
| 3-33 | 82-639-287-01 | | Flywheel plate ass'y | | 1 |
| 3-34 | 82-639-361-01 | | Adjuster screw | | 1 |
| 3-35 | 82-639-267-01 | | Take-up lever ass'y | | 1 |
| 3-36 | 82-639-356-01 | | Arm, Sensor | | 1 |

ACCESSORIES/PACKAGE

| Ref. No. | Part No. | Part No. Changed to | Description | Common Model | Q'ty |
|----------|---------------|------------------------|--|-----------------|------|
| 1 | 82-614-856-01 | | Printed div., Packing | * | 1 |
| 2 | 92-641-852-01 | | Cushion down, Printed indiv. | * | 1 |
| 3 | 82-641-855-01 | | Air-cap sheet | * | 1 |
| 4 | 87-051-136-11 | | Poly-vinyl sack (for carrying case) | | 1 |
| 5 | 87-051-136-11 | | Poly-vinyl sack | | 1 |
| 6 | 82-641-904-01 | | Instructions booklet | * | 1 |
| 7 | 87-056-009-41 | | Distributors list (Y, YG model only) | | 1 |
| 8 | 87-056-034-01 | | Service station list (YU model only) | | 1 |
| 9 | 87-056-035-01 | | Card, Limited warranty (YU model only) | | 1 |
| 10 | 87-056-045-01 | | Guarantee card (YU model only) | | 1 |
| 11 | 87-056-032-01 | | Guarantee card (YG model only) | | 1 |
| 12 | 82-641-952-01 | | Carrying case Y | * | 1 |
| 13 | 82-916-670-01 | | Tape cassette, DMC-157 | | 1 |
| 14 | 86-348-001-01 | | Headphone HP-M3 | | 1 |

ELECTRICAL MAIN PARTS LIST

| Symbol No. | Part No. | Description | Symbol No. | Part No. | Description |
|---------------------------------------|---------------|--|------------------------------|---------------|-------------------------------------|
| ◀ MAIN CIRCUIT BOARD SECTION ▶ | | | | | |
| PCB-A | 82-641-601-11 | Main circuit board | C59,60,76 | 87-015-655-01 | 100 μ F 6.3V Electrolytic |
| IC1,2 | 87-027-697-01 | IC, 1217G | C1,2,13,14,19,20 | 87-015-445-01 | 0.1 μ F 35V Tantalum |
| IC3 | 87-027-696-01 | IC, KB4433 | C64 | 87-015-444-01 | 0.15 μ F 35V Tantalum |
| Q1,2,3,6 | 87-026-134-01 | Transistor, 2SC536 (G,SP) | C7,8,17 | 87-015-376-01 | 1 μ F 25V Tantalum |
| Q4,5 | 87-026-182-01 | Transistor, 2SC536 (F-FT) | 18,37,38,43,44,67,68 | | |
| D1,2 | 87-027-097-01 | Diode, 1S1555 | C55,56 | 87-015-551-01 | 2.2 μ F 16V Tantalum |
| D3 | 87-026-082-01 | LED, S8169 (OPERATE) | C21,22 | 87-015-440-01 | 4.7 μ F 3.15V Tantalum |
| L1,2 | 82-641-602-01 | Bias OSC coil | C25,26 | 87-015-373-01 | 10 μ F 3.15V Tantalum |
| J1,2 | 87-032-978-01 | Jack, 3.5 ϕ (MIC/AUX-L,R) | C5,6,29,30 | 87-015-297-01 | 22 μ F 3.15V Tantalum |
| J3 | 87-049-012-01 | Jack, 3.5 ϕ (PHONES) | 33,34,35,36,77 | | |
| VR1 | 82-641-603-01 | Volume, 10k Ω -A (VOLUME) | C27,28,71 | 87-015-737-01 | 22 μ F 3.15V Tantalum |
| VR2 | 87-021-640-01 | Volume, 100k Ω -B (BALANCE) | C31,32 | 87-015-738-01 | 33 μ F 3.15V Tantalum |
| S1 | 87-031-593-01 | Slide switch (REC/PB) | C57,58 | 87-015-301-01 | 100 μ F 3.15V Tantalum |
| S2,3 | 87-031-594-01 | Slide switch (TAPE/INPUT SELECTOR, PAUSE) | C9,10 | 87-015-814-01 | 680pF Chip capacitor |
| SFR1 | 87-021-650-01 | Semi-fixed resistor, 1k Ω -B | C15,16 | 87-015-816-01 | 0.001 μ F Chip capacitor |
| SFR2 | 87-021-644-01 | Semi-fixed resistor, 10k Ω -B | C23,24,75 | 87-015-825-01 | 0.0015 μ F Chip capacitor |
| < Resistors > | | | | | |
| R7,8 | 88-121-569-01 | 5.6 Ω 1/8W \pm 5% | C3,4,53,54 | 87-015-817-01 | 0.0022 μ F Chip capacitor |
| R3,4 | 88-121-152-01 | 1.5k Ω 1/8W \pm 5% | C39,40,41,42,45,46 | 87-015-824-01 | 0.0039 μ F Chip capacitor |
| R73,74 | 88-121-224-01 | 220k Ω 1/8W \pm 5% | C49,50 | 87-015-818-01 | 0.0047 μ F Chip capacitor |
| R53,54 | 88-129-279-01 | 2.7 Ω Chip resistor | C74 | 87-015-779-01 | 0.01 μ F Chip capacitor |
| R56 | 88-129-100-01 | 10 Ω Chip resistor | C65 | 87-015-822-01 | 0.022 μ F Chip capacitor |
| R51,52,67 | 88-129-220-01 | 22 Ω Chip resistor | C11,12 | 87-015-828-01 | 0.033 μ F Chip capacitor |
| R71 | 88-129-101-01 | 100 Ω Chip resistor | C69,70 | 87-015-821-01 | 0.047 μ F Chip capacitor |
| R29,30,45,46 | 88-129-151-01 | 150 Ω Chip resistor | ◀ MISCELLANEOUS ▶ | | |
| R70 | 88-129-271-01 | 270 Ω Chip resistor | RPH | 87-046-186-01 | REC/PB head |
| R49,50,68 | 88-129-471-01 | 470 Ω Chip resistor | EH | 82-424-625-01 | Erase head |
| R17,18,19,20,59 | 88-129-561-01 | 560 Ω Chip resistor | PCB-B,M | 82-641-605-01 | Motor, w/Motor circuit board |
| R61 | 88-129-821-01 | 820 Ω Chip resistor | ECM | 87-041-019-01 | ECM |
| R9,10,15,16,58,62 | 88-129-102-01 | 1k Ω Chip resistor | J4 | 87-049-013-01 | DC jack |
| R56 | 88-129-222-01 | 2.2k Ω Chip resistor | S4 | 82-641-604-01 | Leaf switch (F/R SW) |
| R60 | 88-129-272-01 | 2.7k Ω Chip resistor | S5 | 87-031-548-01 | Leaf switch (MAIN SW) |
| R1,2 | 88-129-332-01 | 3.3k Ω Chip resistor | ◀ HEADPHONE SECTION ▶ | | |
| R55 | 88-129-392-01 | 3.9k Ω Chip resistor | SP1,2 | 86-384-010-01 | Driver unit |
| R23,24,41,42 | 88-129-472-01 | 4.7k Ω Chip resistor | | 86-384-026-01 | Cord ass'y w/3.5 ϕ stereo jack |
| R57 | 88-129-822-01 | 8.2k Ω Chip resistor | | | |
| R21,22 | 88-129-103-01 | 10k Ω Chip resistor | | | |
| R43,44,63,64,65 | 88-129-123-01 | 12k Ω Chip resistor | | | |
| R25,26,31,32 | 88-129-183-01 | 18k Ω Chip resistor | | | |
| R11,12 | 88-129-273-01 | 27k Ω Chip resistor | | | |
| R47,48 | 88-129-333-01 | 33k Ω Chip resistor | | | |
| R27,28,35,36,66 | 88-129-473-01 | 47k Ω Chip resistor | | | |
| R33,34 | 88-129-823-01 | 82k Ω Chip resistor | | | |
| R13,14 | 88-129-124-01 | 120k Ω Chip resistor | | | |
| R37,38 | 88-129-224-01 | 220k Ω Chip resistor | | | |
| R39,40 | 88-129-225-01 | 2.2M Ω Chip resistor | | | |
| < Capacitors > | | | | | |
| C63,66 | 87-015-665-01 | 10 μ F 16V Electrolytic | | | |
| C47,48,72,73 | 87-015-708-01 | 22 μ F 6.3V Electrolytic | | | |
| C61,62 | 87-015-654-01 | 47 μ F 6.3V Electrolytic | | | |