

aiwa



XR-K363MD

MD/CD STEREO
CASSETTE RECEIVER

- BASIC TAPE MECHANISM: 2ZM-3MK2 PR4N
- BASIC CD MECHANISM: 4ZG-1 VOS1RMDSM
- BASIC MD MECHANISM: ZZG-3 D
- TYPE: HR

SIMPLE MANUAL

- Replace this Service Manual with "Revision Publishing" when it is issued.

S/M Code No. 09-993-412-8T1

MANUAL
SERVICE

ELECTRICAL MAIN PARTS LIST - 1/7

NOTE: The characters in the suffix column indicate the part usage.

HR	REF.NO	PARTS NO.	DESCRIPTION	SUFFIX
			XX.....A.....	
			KANRI	
			NO.	
			DESCRIPTION	
			SUFFIX	
	*	87-A91-331-010	COVER,CAPACITOR 851040	A.....
	C	1 87-010-396-080	CAP,E 470-35 SME	A.....
	C	3 87-010-403-080	CAP, ELECT 3.3-50V	A.....
	C	5 87-018-211-080	CAP, CER 0.01-50	A.....
	C	4 87-018-211-080	CAP, CER 0.01-50	A.....
	C	7 87-A10-479-090	CAP,CER 2200P-250 M E KH	A.....
	C	6 87-A10-479-090	CAP,CER 2200P-250 M E KH	A.....
	CN	3 87-A60-850-010	CONN,7P V VH	A.....
	D	7 87-020-465-080	DIODE,1SS133 (110MA)	A.....
	D	6 87-020-465-080	DIODE,1SS133 (110MA)	A.....
	D	1 87-070-345-080	DIODE,IN4148	A.....
	D	3 87-070-345-080	DIODE,IN4148	A.....
	D	5 87-070-345-080	DIODE,IN4148	A.....
	D	4 87-070-345-080	DIODE,IN4148	A.....
	D	2 87-070-345-080	DIODE,IN4148	A.....
	PT	2 8Z-NF8-663-010	PT,SUB ZNF-8(H)	A.....
	Q	1 87-026-245-080	TR,DTC114ES	A.....
	Q	2 87-A30-198-080	TR,KTC3199GR	A.....
	RY	1 87-A91-281-010	RELAY,AC DC12V OSA-SS-212DM5	A.....
	S	1 87-A90-165-010	SW,SL 1-2-3 SWS2301	A.....
	T	2 87-A60-317-010	TERMINAL, 1P MSC	A.....
	T	1 87-A60-317-010	TERMINAL, 1P MSC	A.....
		87-NF5-203-010	GUIDE,FL	A.....
		8Z-NB8-211-010	GUIDE,OPE	A.....
	*	8Z-NB8-210-110	GUIDE,FUN	A.....
	C	7 87-012-156-080	C-CAP,S 220P-50 CH	A.....
	C	8 87-012-156-080	C-CAP,S 220P-50 CH	A.....
	C	1 87-012-156-080	C-CAP,S 220P-50 CH	A.....
	C	2 87-012-156-080	C-CAP,S 220P-50 CH	A.....
	C	3 87-012-156-080	C-CAP,S 220P-50 CH	A.....
	C	5 87-012-156-080	C-CAP,S 220P-50 CH	A.....
	C	4 87-012-156-080	C-CAP,S 220P-50 CH	A.....
	C	6 87-012-156-080	C-CAP,S 220P-50 CH	A.....
	C	9 87-012-156-080	C-CAP,S 220P-50 CH	A.....
	C	13 87-012-156-080	C-CAP,S 220P-50 CH	A.....
	C	11 87-012-156-080	C-CAP,S 220P-50 CH	A.....
	C	10 87-012-156-080	C-CAP,S 220P-50 CH	A.....
	C	12 87-012-349-080	C-CAP,S 1000P-50 CH	A.....
	C	108 87-010-075-040	CAP,E 10-16 5L	A.....
	C	103 87-010-197-080	CAP, CHIP 0.01 DM	A.....
	C	104 87-012-156-080	C-CAP,S 220P-50 CH	A.....
	C	105 87-012-156-080	C-CAP,S 220P-50 CH	A.....
	C	107 87-012-157-080	C-CAP,S 330P-50 CH	A.....
	C	118 87-010-194-080	CAP, CHIP 0.047	A.....
	C	112 87-010-196-080	CHIP CAPACITOR,0.1-25	A.....
	C	114 87-010-196-080	CHIP CAPACITOR,0.1-25	A.....
	C	117 87-010-264-040	CAP,E 100-10 5L	A.....
	C	116 87-015-694-040	E/CAP 0.47-50	A.....
	C	113 87-016-459-040	CAP,E 470-10 SMG	A.....
	C	119 87-A11-071-040	CAP,E 47-50 SRG	A.....
	C	128 87-010-178-080	CHIP CAP 1000P	A.....
	C	122 87-010-194-080	CAP, CHIP 0.047	A.....
	C	127 87-010-196-080	CHIP CAPACITOR,0.1-25	A.....
	C	123 87-010-196-080	CHIP CAPACITOR,0.1-25	A.....
	C	124 87-010-196-080	CHIP CAPACITOR,0.1-25	A.....
	C	125 87-010-196-080	CHIP CAPACITOR,0.1-25	A.....
	C	121 87-010-421-040	CAP,E 4.7-50 5L	A.....
	C	126 87-012-155-080	C-CAP 180P-50CH	A.....
	C	120 87-015-698-040	CAP,E 4.7-50 7L	A.....
	C	130 87-010-312-080	C-CAP,S 15P-50 CH	A.....
	C	131 87-010-322-080	C-CAP,S 100P-50 CH	A.....
	C	140 87-015-819-080	CAPACITOR,0.01	A.....
	C	195 87-010-194-080	CAP, CHIP 0.047	A.....
	C	197 87-010-196-080	CHIP CAPACITOR,0.1-25	A.....
	C	196 87-010-498-040	CAP,E 10-16 GAS	A.....
	C	224 87-010-196-080	CHIP CAPACITOR,0.1-25	A.....
	C	223 87-010-405-040	CAP,E 10-50	A.....
	C	252 87-010-322-080	C-CAP,S 100P-50 CH	A.....
	C	255 87-010-322-080	C-CAP,S 100P-50 CH	A.....
	C	251 87-010-322-080	C-CAP,S 100P-50 CH	A.....
	C	254 87-010-322-080	C-CAP,S 100P-50 CH	A.....
	C	253 87-010-322-080	C-CAP,S 100P-50 CH	A.....
	C	256 87-010-322-080	C-CAP,S 100P-50 CH	A.....
	C	273 87-010-322-080	C-CAP,S 100P-50 CH	A.....
	C	271 87-010-322-080	C-CAP,S 100P-50 CH	A.....
	C	272 87-010-322-080	C-CAP,S 100P-50 CH	A.....
	C	353 87-010-196-080	CHIP CAPACITOR,0.1-25	A.....
	C	355 87-010-196-080	CHIP CAPACITOR,0.1-25	A.....
	C	352 87-010-196-080	CHIP CAPACITOR,0.1-25	A.....
	C	354 87-010-196-080	CHIP CAPACITOR,0.1-25	A.....
	C	357 87-010-196-080	CHIP CAPACITOR,0.1-25	A.....
	C	356 87-010-196-080	CHIP CAPACITOR,0.1-25	A.....
	C	351 87-012-158-080	C-CAP,S 390P-50 CH	A.....
	C	421 87-015-686-040	CAP,E 22-25 M 7L SRA	A.....
	CON	102 87-099-015-010	CONN,13P 6216V	A.....
	CON	104 87-099-017-010	CONN, 15P 6216 V	A.....

ELECTRICAL MAIN PARTS LIST - 2/7

CON	101	87-099-720-010	CONN,30P TYK-B(P)	A.....
CON	502	87-099-195-010	CONN,7P 6216 V	A.....
D	106	87-A40-246-080	DIODE,IN4148 T-72	A.....
D	104	87-A40-246-080	DIODE,IN4148 T-72	A.....
D	105	87-A40-246-080	DIODE,IN4148 T-72	A.....
D	103	87-A40-246-080	DIODE,IN4148 T-72	A.....
D	108	87-A40-269-080	C-DIODE,MC2836	A.....
D	109	87-A40-270-080	C-DIODE,MC2838	A.....
D	110	87-A40-269-080	C-DIODE,MC2836	A.....
D	172	87-A40-509-080	ZENER,MTZJ6.8C	A.....
D	308	87-A40-269-080	C-DIODE,MC2836	A.....
D	307	87-A40-269-080	C-DIODE,MC2836	A.....
D	302	87-A40-269-080	C-DIODE,MC2836	A.....
D	301	87-A40-269-080	C-DIODE,MC2836	A.....
D	304	87-A40-269-080	C-DIODE,MC2836	A.....
D	306	87-A40-269-080	C-DIODE,MC2836	A.....
D	303	87-A40-269-080	C-DIODE,MC2836	A.....
D	305	87-A40-269-080	C-DIODE,MC2836	A.....
D	313	87-A40-246-080	DIODE,IN4148 T-72	A.....
D	356	87-017-931-080	ZENER,MTZJ5.6B	A.....
D	354	87-A40-246-080	DIODE,IN4148 T-72	A.....
D	353	87-A40-246-080	DIODE,IN4148 T-72	A.....
D	352	87-A40-246-080	DIODE,IN4148 T-72	A.....
D	351	87-A40-246-080	DIODE,IN4148 T-72	A.....
D	653	87-A40-246-080	DIODE,IN4148 T-72	A.....
FL	101	8Z-DH8-601-010	FL,BJ705GK	A.....
IC	102	87-A20-914-010	IC,SPS-442-1-F	A.....
IC	101	8Z-DH8-640-010	C-IC,LC876572V-****	A.....
IC	202	87-A21-021-040	C-IC,BU2099FV	A.....
IC	203	87-A21-021-040	C-IC,BU2099FV	A.....
IC	380	87-A21-023-040	C-IC,BA3835F	A.....
L	331	87-A50-333-010	COIL,OSC 9.43MHZ	A.....
LED	207	87-A40-451-080	LED,SEL6510C-TP7 GRN	A.....
LED	208	87-A40-451-080	LED,SEL6510C-TP7 GRN	A.....
LED	209	87-A40-451-080	LED,SEL6510C-TP7 GRN	A.....
LED	206	87-A40-451-080	LED,SEL6510C-TP7 GRN	A.....
LED	205	87-A40-452-080	LED,SEL6210S-TP7 RED	A.....
LED	202	87-A40-452-080	LED,SEL6210S-TP7 RED	A.....
LED	203	87-A40-452-080	LED,SEL6210S-TP7 RED	A.....
LED	204	87-A40-452-080	LED,SEL6210S-TP7 RED	A.....
LED	201	87-A40-452-080	LED,SEL6210S-TP7 RED	A.....
LED	217	87-A40-619-080	LED,SLR-56PT-TE7-W GRN	A.....
LED	218	87-A40-619-080	LED,SLR-56PT-TE7-W GRN	A.....
LED	219	87-A40-619-080	LED,SLR-56PT-TE7-W GRN	A.....
LED	222	87-A40-619-080	LED,SLR-56PT-TE7-W GRN	A.....
LED	220	87-A40-619-080	LED,SLR-56PT-TE7-W GRN	A.....
LED	221	87-A40-619-080	LED,SLR-56PT-TE7-W GRN	A.....
LED	255	87-017-730-080	LED,SEL6214S	A.....
LED	254	87-017-730-080	LED,SEL6214S	A.....
LED	252	87-A40-380-080	LED,SEL6510C-TP5 GRN	A.....
LED	371	87-A90-825-040	LED,SLP-9131C-81H-S-T1 RED	A.....
LED	607	87-A40-619-040	LED,SLR-56PT-T31-W GRN	A.....
LED	601	87-A40-619-040	LED,SLR-56PT-T31-W GRN	A.....
LED	608	87-A40-619-040	LED,SLR-56PT-T31-W GRN	A.....
LED	603	87-A40-619-040	LED,SLR-56PT-T31-W GRN	A.....
LED	602	87-A40-619-040	LED,SLR-56PT-T31-W GRN	A.....
LED	606	87-A40-619-040	LED,SLR-56PT-T31-W GRN	A.....
LED	605	87-A40-619-040	LED,SLR-56PT-T31-W GRN	A.....
LED	604	87-A40-619-040	LED,SLR-56PT-T31-W GRN	A.....
LED	650	87-A40-451-080	LED,SEL6510C-TP7 GRN	A.....
Q	101	87-A30-087-080	C-FET,2SK2158	A.....
Q	102	87-A30-087-080	C-FET,2SK2158	A.....
Q	105	87-A30-159-080	C-TR,KTA1298Y	A.....
Q	106	87-A30-159-080	C-TR,KTA1298Y	A.....
Q	107	87-A30-240-080	TR,CSA1585BC	A.....
Q	151	87-026-227-080	CHIP-TR,DTA114EK	A.....
Q	152	87-026-235-080	CHIP-TR,DTC114EK	A.....
Q	201	87-026-230-080	CHIP-TR,DTA114YK	A.....
Q	208	87-A30-198-080	TR,KTC3199GR	A.....
Q	301	87-A30-076-080	C-TR,2SC3052F	A.....
Q	312	87-A30-087-080	C-FET,2SK2158	A.....
S	303	87-A90-095-080	SW,TACT EVQ11G04M	A.....
S	306	87-A90-095-080	SW,TACT EVQ11G04M	A.....
S	307	87-A90-095-080	SW,TACT EVQ11G04M	A.....
S	301	87-A90-095-080	SW,TACT EVQ11G04M	A.....
S	308	87-A90-095-080	SW,TACT EVQ11G04M	A.....
S	305	87-A90-095-080	SW,TACT EVQ11G04M	A.....
S	304	87-A90-095-080	SW,TACT EVQ11G04M	A.....
S	302	87-A90-095-080	SW,TACT EVQ11G04M	A.....
S	309	87-A90-095-080	SW,TACT EVQ11G04M	A.....
S	311	87-A90-095-080	SW,TACT EVQ11G04M	A.....
S	316	87-A90-095-080	SW,TACT EVQ11G04M	A.....
S	310	87-A90-095-080	SW,TACT EVQ11G04M	A.....
S	317	87-A90-095-080	SW,TACT EVQ11G04M	A.....
S	313	87-A90-095-080	SW,TACT EVQ11G04M	A.....
S	318	87-A90-095-080	SW,TACT EVQ11G04M	A.....
S	315	87-A90-095-080	SW,TACT EVQ11G04M	A.....
S	314	87-A90-095-080	SW,TACT EVQ11G04M	A.....
S	312	87-A90-095-080	SW,TACT EVQ11G04M	A.....
S	319	87-A90-095-080	SW,TACT EVQ11G04M	A.....
S	323	87-A90-095-080	SW,TACT EVQ11G04M	A.....
S	326	87-A90-095-080	SW,TACT EVQ11G04M	A.....

ELECTRICAL MAIN PARTS LIST - 3/7

S	321	87-A90-095-080	SW,TACT	EVQ11G04M	A.....
S	327	87-A90-095-080	SW,TACT	EVQ11G04M	A.....
S	320	87-A90-095-080	SW,TACT	EVQ11G04M	A.....
S	328	87-A90-095-080	SW,TACT	EVQ11G04M	A.....
S	325	87-A90-095-080	SW,TACT	EVQ11G04M	A.....
S	324	87-A90-095-080	SW,TACT	EVQ11G04M	A.....
S	322	87-A90-095-080	SW,TACT	EVQ11G04M	A.....
S	329	87-A90-095-080	SW,TACT	EVQ11G04M	A.....
S	332	87-A90-095-080	SW,TACT	EVQ11G04M	A.....
S	337	87-A90-095-080	SW,TACT	EVQ11G04M	A.....
S	331	87-A90-095-080	SW,TACT	EVQ11G04M	A.....
S	336	87-A90-095-080	SW,TACT	EVQ11G04M	A.....
S	333	87-A90-095-080	SW,TACT	EVQ11G04M	A.....
S	335	87-A90-095-080	SW,TACT	EVQ11G04M	A.....
S	334	87-A90-095-080	SW,TACT	EVQ11G04M	A.....
S	330	87-A90-095-080	SW,TACT	EVQ11G04M	A.....
SW	101	87-A90-535-010	SW,RTRY	EC16B24304	A.....
SW	102	87-A90-950-010	SW,RTRY	EC12E12504 ENCORDER	A.....
C	503	87-010-112-080	CAP, ELECT	100-16V	A.....
C	507	87-010-178-080	CHIP CAP	1000P	A.....
C	502	87-010-186-080	CAP,CHIP	4700P	A.....
C	501	87-010-196-080	CHIP CAPACITOR,	0.1-25	A.....
C	506	87-010-320-080	CHIP CAP	68P	A.....
C	504	87-010-405-040	CAP,E	10-50	A.....
C	505	87-010-546-040	CAP,E	0.33-50	A.....
C	509	87-018-209-080	CAP, CER	0.1-50V	A.....
C	508	87-018-209-080	CAP, CER	0.1-50V	A.....
J	501	87-A60-651-010	JACK,	3.5MONO	A.....
Q	504	87-A30-075-080	C-TR,	2SA1235F	A.....
Q	502	87-A30-076-080	C-TR,	2SC3052F	A.....
Q	505	87-A30-076-080	C-TR,	2SC3052F	A.....
Q	503	87-A30-076-080	C-TR,	2SC3052F	A.....
Q	501	87-A30-087-080	C-FET,	2SK2158	A.....
VR	501	86-NFA-607-010	VR,RTRY	10K15AX1 1 V XV0121PVN	A.....
C	309	87-010-196-080	CHIP CAPACITOR,	0.1-25	A.....
C	307	87-010-196-080	CHIP CAPACITOR,	0.1-25	A.....
C	302	87-010-318-080	C-CAP,S	47P-50 CH	A.....
C	301	87-010-318-080	C-CAP,S	47P-50 CH	A.....
C	306	87-012-145-080	CAP, CHIP S	270P CH	A.....
C	305	87-012-145-080	CAP, CHIP S	270P CH	A.....
C	304	87-012-157-080	C-CAP,S	330P-50 CH	A.....
C	303	87-012-157-080	C-CAP,S	330P-50 CH	A.....
C	316	87-010-178-080	CHIP CAP	1000P	A.....
C	314	87-010-178-080	CHIP CAP	1000P	A.....
C	315	87-010-178-080	CHIP CAP	1000P	A.....
C	313	87-010-178-080	CHIP CAP	1000P	A.....
C	310	87-010-196-080	CHIP CAPACITOR,	0.1-25	A.....
C	312	87-010-198-080	CAP, CHIP	0.022	A.....
C	311	87-010-198-080	CAP, CHIP	0.022	A.....
C	324	87-010-260-080	CAP, ELECT	47-25V	A.....
C	325	87-010-370-080	CAP,E	330-6.3 SME	A.....
C	327	87-010-404-080	CAP, ELECT	4.7-50V	A.....
C	328	87-010-404-080	CAP, ELECT	4.7-50V	A.....
C	322	87-016-492-080	C-CAP,S	0.33-16 FZ	A.....
C	321	87-016-492-080	C-CAP,S	0.33-16 FZ	A.....
C	337	87-010-196-080	CHIP CAPACITOR,	0.1-25	A.....
C	332	87-010-196-080	CHIP CAPACITOR,	0.1-25	A.....
C	339	87-010-196-080	CHIP CAPACITOR,	0.1-25	A.....
C	335	87-010-401-080	CAP, ELECT	1-50V	A.....
C	336	87-010-401-080	CAP, ELECT	1-50V	A.....
C	340	87-010-196-080	CHIP CAPACITOR,	0.1-25	A.....
C	354	87-010-175-080	CAP	560P	A.....
C	359	87-010-183-080	C-CAP,S	2700P-50 B	A.....
C	358	87-010-183-080	C-CAP,S	2700P-50 B	A.....
C	357	87-010-197-080	CAP, CHIP	0.01 DM	A.....
C	356	87-010-260-080	CAP, ELECT	47-25V	A.....
C	352	87-012-140-080	CAP	470P	A.....
C	351	87-012-140-080	CAP	470P	A.....
C	355	87-012-349-080	C-CAP,S	1000P-50 CH	A.....
C	360	87-010-183-080	C-CAP,S	2700P-50 B	A.....
C	378	87-010-196-080	CHIP CAPACITOR,	0.1-25	A.....
C	370	87-010-196-080	CHIP CAPACITOR,	0.1-25	A.....
C	379	87-010-406-080	CAP, ELECT	22-50	A.....
C	374	87-016-083-080	C-CAP,S	0.15-16 RK	A.....
C	373	87-016-083-080	C-CAP,S	0.15-16 RK	A.....
C	386	87-010-196-080	CHIP CAPACITOR,	0.1-25	A.....
C	380	87-010-406-080	CAP, ELECT	22-50	A.....
C	388	87-012-156-080	C-CAP,S	220P-50 CH	A.....
C	394	87-010-319-080	C-CAP,S	56P-50 CH	A.....
C	392	87-010-319-080	C-CAP,S	56P-50 CH	A.....
C	393	87-010-319-080	C-CAP,S	56P-50 CH	A.....
C	391	87-010-319-080	C-CAP,S	56P-50 CH	A.....
CN	301	87-099-827-010	CONN,3P	S2M-3W	A.....
CN	351	87-099-832-010	CONN,8P	S2M-8W	A.....
D	352	87-A40-269-080	C-DIODE,	MC2836	A.....
IC	303	87-A20-783-040	C-IC,	BA7762AFS	A.....
L	301	87-A50-049-010	COIL,TRAP	85K(COI)	A.....
L	302	87-A50-049-010	COIL,TRAP	85K(COI)	A.....
L	351	87-007-342-010	COIL,OSC	85K BIAS	A.....
Q	359	87-026-610-080	TR,KTC	3198GR	A.....
Q	357	87-026-610-080	TR,KTC	3198GR	A.....
Q	358	87-026-610-080	TR,KTC	3198GR	A.....

ELECTRICAL MAIN PARTS LIST - 4/7

Q	355	87-A30-074-080	C-TR,RT1P 141C	A.....
Q	354	87-A30-087-080	C-FET,2SK2158	A.....
Q	353	87-A30-087-080	C-FET,2SK2158	A.....
Q	351	87-A30-087-080	C-FET,2SK2158	A.....
SFR	351	87-A90-433-080	SFR,50K H NVZ6TLTA	A.....
SFR	352	87-A90-433-080	SFR,50K H NVZ6TLTA	A.....
C	507	87-010-183-080	C-CAP,S 2700P-50 B	A.....
C	509	87-010-196-080	CHIP CAPACITOR,0.1-25	A.....
C	505	87-012-145-080	CAP,CHIP S 270P CH	A.....
C	506	87-012-145-080	CAP,CHIP S 270P CH	A.....
C	504	87-012-154-080	C-CAP,S 150P-50 CH	A.....
C	503	87-012-154-080	C-CAP,S 150P-50 CH	A.....
C	501	87-A10-060-080	C-CAP,S 0.18-16 K B	A.....
C	502	87-A10-060-080	C-CAP,S 0.18-16 K B	A.....
C	510	87-010-177-080	C-CAP,S 820P-50 SL	A.....
C	511	87-010-177-080	C-CAP,S 820P-50 SL	A.....
C	517	87-010-183-080	C-CAP,S 2700P-50 B	A.....
C	512	87-010-196-080	CHIP CAPACITOR,0.1-25	A.....
C	514	87-010-196-080	CHIP CAPACITOR,0.1-25	A.....
C	515	87-010-263-080	CAP,ELECT 100-10V	A.....
C	513	87-010-374-080	CAP,ELECT 47-10V	A.....
C	527	87-010-196-080	CHIP CAPACITOR,0.1-25	A.....
C	522	87-016-460-080	C-CAP,S 0.22-16 B	A.....
C	523	87-016-460-080	C-CAP,S 0.22-16 B	A.....
C	521	87-016-460-080	C-CAP,S 0.22-16 B	A.....
CN	502	87-099-566-010	CONN,7P TUC-P7P-B1	A.....
CN	501	87-A60-689-010	CONN,7P H GRY TUC-P07X-C1	A.....
D	501	87-070-136-080	ZENER,MTZJ5.1B	A.....
IC	501	87-A20-561-040	C-IC,M65847AFP	A.....
C	458	87-010-196-080	CHIP CAPACITOR,0.1-25	A.....
C	457	87-010-196-080	CHIP CAPACITOR,0.1-25	A.....
C	452	87-010-401-080	CAP,ELECT 1-50V	A.....
C	451	87-010-401-080	CAP,ELECT 1-50V	A.....
C	461	87-010-544-080	CAP,ELECT 0.1-50V	A.....
IC	451	87-A21-031-040	C-IC,BU4551BF	A.....
		87-067-703-010	TAPPING SCREW, BVT2+3-10	A.....
C	6	87-012-368-080	C-CAP,S 0.1-50 F	A.....
C	5	87-012-368-080	C-CAP,S 0.1-50 F	A.....
C	3	87-012-368-080	C-CAP,S 0.1-50 F	A.....
C	4	87-012-368-080	C-CAP,S 0.1-50 F	A.....
C	1	87-012-369-080	C-CAP,S 0.047-50F	A.....
C	2	87-012-369-080	C-CAP,S 0.047-50F	A.....
C	9	87-016-658-090	CAP,E 4700-35 SMG	A.....
C	10	87-016-658-090	CAP,E 4700-35 SMG	A.....
C	21	87-010-247-080	CAP,ELECT 100-50V	A.....
C	22	87-010-247-080	CAP,ELECT 100-50V	A.....
C	26	87-010-263-080	CAP,ELECT 100-10V	A.....
C	29	87-010-408-080	CAP,ELECT 47-50V	A.....
C	23	87-010-408-080	CAP,ELECT 47-50V	A.....
C	24	87-010-408-080	CAP,ELECT 47-50V	A.....
C	25	87-010-430-080	CAP,ELECT 100-63	A.....
C	27	87-012-140-080	CAP 470P	A.....
C	30	87-010-112-080	CAP,ELECT 100-16V	A.....
C	31	87-010-235-080	CAP,E 470-16 SME	A.....
C	61	87-010-260-080	CAP,ELECT 47-25V	A.....
C	62	87-010-403-080	CAP,ELECT 3.3-50V	A.....
C	92	87-010-263-080	CAP,ELECT 100-10V	A.....
C	93	87-010-380-080	CAP,ELECT 47-16V	A.....
C	91	87-010-401-080	CAP,ELECT 1-50V	A.....
CN	91	87-009-030-010	CONNECTOR 2P PH M	A.....
CN	92	87-009-030-010	CONNECTOR 2P PH M	A.....
CNA	1	8Z-NB8-604-110	CONN ASSY,7P VH	A.....
D	8	87-020-465-080	DIODE,1SS133 (110MA)	A.....
D	9	87-020-465-080	DIODE,1SS133 (110MA)	A.....
D	6	87-070-274-080	DIODE,1N4003 SEM	A.....
D	4	87-070-274-080	DIODE,1N4003 SEM	A.....
D	5	87-070-274-080	DIODE,1N4003 SEM	A.....
D	3	87-070-274-080	DIODE,1N4003 SEM	A.....
D	1	87-A40-115-060	DIODE,RS603M	A.....
D	7	87-A40-435-080	ZENER,MTZJ30D	A.....
D	10	87-A40-345-080	ZENER,MTZJ10C	A.....
D	64	87-070-274-080	DIODE,1N4003 SEM	A.....
D	62	87-A40-269-080	C-DIODE,MC2836	A.....
D	61	87-A40-270-080	C-DIODE,MC2838	A.....
D	91	87-020-465-080	DIODE,1SS133 (110MA)	A.....
D	92	87-020-465-080	DIODE,1SS133 (110MA)	A.....
JW	16	87-008-372-080	FILTER,EMI BL OIRNI	A.....
Q	1	87-026-609-080	TR,KTA1266GR	A.....
Q	2	87-026-609-080	TR,KTA1266GR	A.....
Q	5	87-026-610-080	TR,KTC3198GR	A.....
Q	8	87-A30-075-080	C-TR,2SA1235F	A.....
Q	6	87-A30-076-080	C-TR,2SC3052F	A.....
Q	9	87-A30-196-080	TR,2SC4115SRS	A.....
Q	4	89-213-702-010	TR,2SB1370 (1.8W)	A.....
Q	3	89-213-702-010	TR,2SB1370 (1.8W)	A.....
Q	61	87-A30-074-080	C-TR,RT1P 141C	A.....
Q	66	87-A30-075-080	C-TR,2SA1235F	A.....
Q	64	87-A30-075-080	C-TR,2SA1235F	A.....
Q	65	87-A30-076-080	C-TR,2SC3052F	A.....
Q	67	87-A30-076-080	C-TR,2SC3052F	A.....
Q	63	87-A30-076-080	C-TR,2SC3052F	A.....
Q	62	87-A30-268-040	C-TR,2SA1514K(S)	A.....

ELECTRICAL MAIN PARTS LIST - 5/7

Q	91	87-A30-076-080	C-TR,2SC3052F	A.....
Q	92	87-A30-240-080	TR,CSA1585BC	A.....
WH	1	87-A90-510-010	HLDR,WIRE 2.5-9P	A.....
C	101	87-010-178-080	CHIP CAP 1000P	A.....
C	102	87-010-178-080	CHIP CAP 1000P	A.....
C	104	87-010-246-080	CAP, ELECT 47-35V	A.....
C	103	87-010-246-080	CAP, ELECT 47-35V	A.....
C	109	87-010-322-080	C-CAP,S 100P-50 CH	A.....
C	108	87-010-408-080	CAP, ELECT 47-50V	A.....
C	107	87-010-408-080	CAP, ELECT 47-50V	A.....
C	111	87-010-260-080	CAP, ELECT 47-25V	A.....
C	112	87-010-260-080	CAP, ELECT 47-25V	A.....
C	110	87-010-322-080	C-CAP,S 100P-50 CH	A.....
C	113	87-012-156-080	C-CAP,S 220P-50 CH	A.....
C	114	87-012-156-080	C-CAP,S 220P-50 CH	A.....
C	117	87-A11-185-080	C-CAP, 0.47-50 F Z	A.....
C	118	87-A11-185-080	C-CAP, 0.47-50 F Z	A.....
C	121	87-010-178-080	CHIP CAP 1000P	A.....
C	122	87-010-178-080	CHIP CAP 1000P	A.....
C	126	87-012-368-080	C-CAP,S 0.1-50 F	A.....
C	125	87-012-368-080	C-CAP,S 0.1-50 F	A.....
C	127	87-012-368-080	C-CAP,S 0.1-50 F	A.....
C	128	87-012-368-080	C-CAP,S 0.1-50 F	A.....
C	133	87-010-197-080	CAP, CHIP 0.01 DM	A.....
C	131	87-010-197-080	CAP, CHIP 0.01 DM	A.....
C	132	87-010-197-080	CAP, CHIP 0.01 DM	A.....
C	135	87-010-394-080	CAP ELECT220-35V	A.....
D	102	87-020-465-080	DIODE,1SS133 (110MA)	A.....
D	104	87-020-465-080	DIODE,1SS133 (110MA)	A.....
D	103	87-020-465-080	DIODE,1SS133 (110MA)	A.....
D	109	87-020-465-080	DIODE,1SS133 (110MA)	A.....
D	101	87-020-465-080	DIODE,1SS133 (110MA)	A.....
D	107	87-A40-488-080	DIODE,1SS244	A.....
D	108	87-A40-488-080	DIODE,1SS244	A.....
D	115	87-020-465-080	DIODE,1SS133 (110MA)	A.....
D	114	87-020-465-080	DIODE,1SS133 (110MA)	A.....
D	110	87-020-465-080	DIODE,1SS133 (110MA)	A.....
D	113	87-020-465-080	DIODE,1SS133 (110MA)	A.....
D	112	87-020-465-080	DIODE,1SS133 (110MA)	A.....
D	111	87-A40-270-080	C-DIODE,MC2838	A.....
L	102	87-003-383-010	COIL,1UH-S	A.....
L	101	87-003-383-010	COIL,1UH-S	A.....
O	109	87-A30-076-080	C-TR,2SC3052F	A.....
O	108	87-A30-076-080	C-TR,2SC3052F	A.....
O	107	87-A30-076-080	C-TR,2SC3052F	A.....
O	102	87-A30-086-070	C-TR,CSD1306E	A.....
O	101	87-A30-086-070	C-TR,CSD1306E	A.....
O	105	87-A30-268-040	C-TR,2SA1514K(S)	A.....
O	103	87-A30-268-040	C-TR,2SA1514K(S)	A.....
O	104	87-A30-268-040	C-TR,2SA1514K(S)	A.....
O	106	87-A30-268-040	C-TR,2SA1514K(S)	A.....
O	110	87-A30-076-080	C-TR,2SC3052F	A.....
O	111	87-A30-190-080	TR,CC5551	A.....
O	112	87-A30-190-080	TR,CC5551	A.....
O	119	87-A30-215-010	TR,2SD2025	A.....
O	127	87-A30-075-080	C-TR,2SA1235F	A.....
O	128	87-A30-076-080	C-TR,2SC3052F	A.....
O	129	87-A30-076-080	C-TR,2SC3052F	A.....
O	123	87-A30-106-070	C-TR,CMBT5551	A.....
O	124	87-A30-106-070	C-TR,CMBT5551	A.....
O	122	87-A30-214-010	TR,2SB1344	A.....
O	121	87-A30-214-010	TR,2SB1344	A.....
O	120	87-A30-215-010	TR,2SD2025	A.....
O	126	87-A30-268-040	C-TR,2SA1514K(S)	A.....
O	130	87-A30-076-080	C-TR,2SC3052F	A.....
O	131	87-A30-076-080	C-TR,2SC3052F	A.....
R	129	87-A00-258-080	RES,M/F 0.22-1W J	A.....
R	130	87-A00-258-080	RES,M/F 0.22-1W J	A.....
R	131	87-A00-258-080	RES,M/F 0.22-1W J	A.....
R	132	87-A00-258-080	RES,M/F 0.22-1W J	A.....
R	145	87-A00-440-050	RES,220-1/2W J RP	A.....
R	146	87-A00-440-050	RES,220-1/2W J RP	A.....
R	144	87-A00-440-050	RES,220-1/2W J RP	A.....
R	143	87-A00-440-050	RES,220-1/2W J RP	A.....
R	166	87-A00-258-080	RES,M/F 0.22-1W J	A.....
R	165	87-A00-258-080	RES,M/F 0.22-1W J	A.....
R	177	87-029-023-090	FUSE RESISTOR 1/4W 47	A.....
TH	101	87-A91-042-080	C-THMS,100K 55001	A.....
TH	102	87-A91-042-080	C-THMS,100K 55001	A.....
C	203	87-010-177-080	C-CAP,S 820P-50 SL	A.....
C	204	87-010-177-080	C-CAP,S 820P-50 SL	A.....
C	209	87-010-403-080	CAP, ELECT 3.3-50V	A.....
C	211	87-010-181-080	CAP,CHIP S 1800P	A.....
C	212	87-010-181-080	CAP,CHIP S 1800P	A.....
C	215	87-010-322-080	C-CAP,S 100P-50 CH	A.....
C	216	87-010-322-080	C-CAP,S 100P-50 CH	A.....
C	217	87-010-401-080	CAP, ELECT 1-50V	A.....
C	218	87-010-401-080	CAP, ELECT 1-50V	A.....
C	210	87-010-403-080	CAP, ELECT 3.3-50V	A.....
C	214	87-010-403-080	CAP, ELECT 3.3-50V	A.....
C	213	87-010-403-080	CAP, ELECT 3.3-50V	A.....
C	219	87-012-145-080	CAP, CHIP S 270P CH	A.....

ELECTRICAL MAIN PARTS LIST - 6/7

C	228	87-010-186-080	CAP,CHIP 4700P	A.....
CC	227	87-010-186-080	CAP,CHIP 4700P	A.....
CC	229	87-010-993-080	C-CAP,S 0.056-25 B	A.....
CC	220	87-012-145-080	CAP,CHIP S 270P CH	A.....
CC	225	87-012-368-080	C-CAP,S 0.1-50 F	A.....
CC	226	87-012-368-080	C-CAP,S 0.1-50 F	A.....
CC	232	87-010-196-080	CHIP CAPACITOR,0.1-25	A.....
CC	239	87-010-196-080	CHIP CAPACITOR,0.1-25	A.....
CC	231	87-010-196-080	CHIP CAPACITOR,0.1-25	A.....
CC	234	87-010-197-080	CAP,CHIP 0.01 DM	A.....
CC	233	87-010-197-080	CAP,CHIP 0.01 DM	A.....
CC	230	87-010-993-080	C-CAP,S 0.056-25 B	A.....
CC	235	87-016-285-080	CAP,E 47-100SME	A.....
CC	236	87-016-285-080	CAP,E 47-100SME	A.....
CC	240	87-010-246-080	CAP,ELECT 47-35V	A.....
D	204	87-020-465-080	DIODE,1SS133 (110MA)	A.....
D	201	87-020-465-080	DIODE,1SS133 (110MA)	A.....
D	203	87-020-465-080	DIODE,1SS133 (110MA)	A.....
D	209	87-020-465-080	DIODE,1SS133 (110MA)	A.....
D	202	87-020-465-080	DIODE,1SS133 (110MA)	A.....
D	207	87-A40-488-080	DIODE,1SS244	A.....
D	208	87-A40-488-080	DIODE,1SS244	A.....
JD	210	87-020-465-080	DIODE,1SS133 (110MA)	A.....
D	214	87-020-465-080	DIODE,1SS133 (110MA)	A.....
D	211	87-A40-270-080	C-DIODE,MC2838	A.....
203	87-033-240-010	TERMINAL,SP 4P32SV1-05	A.....	
J	201	87-A60-483-010	JACK,DIA6.3 BLK ST W/S KM	A.....
J	204	87-A60-750-010	JACK,PIN 4P R/W BLUE	A.....
L	201	87-003-383-010	COIL,1UH-S	A.....
L	202	87-003-383-010	COIL,1UH-S	A.....
OO	81	87-A30-074-080	C-TR,RT1P 141C	A.....
OO	82	87-A30-268-040	C-TR,2SA1514K(S)	A.....
OO	206	87-A30-075-080	C-TR,2SA1235F	A.....
OO	205	87-A30-075-080	C-TR,2SA1235F	A.....
OO	203	87-A30-075-080	C-TR,2SA1235F	A.....
OO	204	87-A30-075-080	C-TR,2SA1235F	A.....
OO	208	87-A30-076-080	C-TR,2SC3052F	A.....
OO	209	87-A30-076-080	C-TR,2SC3052F	A.....
OO	207	87-A30-076-080	C-TR,2SC3052F	A.....
OO	202	87-A30-086-070	C-TR,CSD1306E	A.....
OO	201	87-A30-086-070	C-TR,CSD1306E	A.....
OO	210	87-A30-076-080	C-TR,2SC3052F	A.....
OO	219	87-A30-119-080	C-TR,2SC3906K R	A.....
OO	211	87-A30-190-080	TR,CC5551	A.....
OO	212	87-A30-190-080	TR,CC5551	A.....
OO	218	87-A30-214-010	TR,2SB1344	A.....
OO	217	87-A30-214-010	TR,2SB1344	A.....
OO	216	87-A30-215-010	TR,2SD2025	A.....
OO	215	87-A30-215-010	TR,2SD2025	A.....
OO	224	87-A30-076-080	C-TR,2SC3052F	A.....
OO	226	87-A30-076-080	C-TR,2SC3052F	A.....
OO	225	87-A30-076-080	C-TR,2SC3052F	A.....
OO	227	87-A30-076-080	C-TR,2SC3052F	A.....
OO	220	87-A30-119-080	C-TR,2SC3906K R	A.....
R	233	87-A00-258-080	RES,M/F 0.22-1W J	A.....
R	234	87-A00-258-080	RES,M/F 0.22-1W J	A.....
R	232	87-A00-258-080	RES,M/F 0.22-1W J	A.....
R	231	87-A00-258-080	RES,M/F 0.22-1W J	A.....
R	266	87-A00-258-080	RES,M/F 0.22-1W J	A.....
R	265	87-A00-258-080	RES,M/F 0.22-1W J	A.....
TH	202	87-A91-042-080	C-THMS,100K 55001	A.....
TH	201	87-A91-042-080	C-THMS,100K 55001	A.....
C	601	87-010-180-080	C-CER 1500P	A.....
C	602	87-010-180-080	C-CER 1500P	A.....
CC	608	87-010-318-080	C-CAP,S 47P-50 CH	A.....
CC	605	87-010-318-080	C-CAP,S 47P-50 CH	A.....
CC	607	87-010-318-080	C-CAP,S 47P-50 CH	A.....
CC	606	87-010-318-080	C-CAP,S 47P-50 CH	A.....
CC	619	87-010-185-080	C-CAP,S 3900P-50 B	A.....
CC	613	87-016-081-080	C-CAP,S 0.1-16 RK	A.....
CC	614	87-016-081-080	C-CAP,S 0.1-16 RK	A.....
CC	620	87-010-185-080	C-CAP,S 3900P-50 B	A.....
CC	621	87-010-401-080	CAP,ELECT 1-50V	A.....
CC	622	87-010-401-080	CAP,ELECT 1-50V	A.....
CC	626	87-010-405-080	CAP,ELECT 10-50V	A.....
CC	629	87-010-405-080	CAP,ELECT 10-50V	A.....
CC	625	87-010-405-080	CAP,ELECT 10-50V	A.....
CC	637	87-010-183-080	C-CAP,S 2700P-50 B	A.....
CC	636	87-010-194-080	CAP,CHIP 0.047	A.....
CC	634	87-010-196-080	CHIP CAPACITOR,0.1-25	A.....
CC	635	87-010-196-080	CHIP CAPACITOR,0.1-25	A.....
CC	630	87-010-213-080	C-CAP,S 0.015-50 B	A.....
CC	632	87-010-263-080	CAP,ELECT 100-10V	A.....
CC	633	87-010-263-080	CAP,ELECT 100-10V	A.....
CC	631	87-010-992-080	C-CAP,S 0.047-25 B	A.....
CC	641	87-010-196-080	CHIP CAPACITOR,0.1-25	A.....
CC	640	87-010-314-080	C-CAP,S 22P-50V	A.....
CC	653	87-010-322-080	C-CAP,S 100P-50 CH	A.....
CC	654	87-010-322-080	C-CAP,S 100P-50 CH	A.....
C	677	87-010-196-080	CHIP CAPACITOR,0.1-25	A.....
CN	604	87-099-570-010	CONN,13P TUC-P13P-B1	A.....
CN	601	87-099-719-010	CONN,30P TYK-B(X)	A.....

ELECTRICAL MAIN PARTS LIST - 7/7

CN	603	87-A60-139-010	CONN,14P V FE	A.....
D	601	87-A40-002-080	ZENER,MTZJ5.1C	A.....
D	603	87-A40-234-080	ZENER,MTZJ5.6A	A.....
D	602	87-A40-438-080	ZENER,MTZJ4.7A	A.....
IC	601	87-A21-011-040	C-IC,M62445FP-600D	A.....
J	602	87-A60-425-010	JACK,PIN 2P YKC21-3838	A.....
Q	601	87-026-609-080	TR,KTA1266GR	A.....
Q	604	87-A30-142-040	C-TR,DTA123EKA	A.....
C	707	87-010-180-080	C-CER 1500P	A.....
C	702	87-010-196-080	CHIP CAPACITOR,0.1-25	A.....
C	706	87-010-197-080	CAP,CHIP 0.01 DM	A.....
C	709	87-010-213-080	C-CAP,S 0.015-50 B	A.....
C	708	87-010-213-080	C-CAP,S 0.015-50 B	A.....
C	701	87-010-263-080	CAP,ELECT 100-10V	A.....
C	703	87-010-319-080	C-CAP,S 56P-50 CH	A.....
C	704	87-010-319-080	C-CAP,S 56P-50 CH	A.....
C	705	87-012-393-080	C-CAP,S 0.22-16 R K	A.....
C	711	87-010-181-080	CAP,CHIP S 1800P	A.....
C	712	87-010-196-080	CHIP CAPACITOR,0.1-25	A.....
C	710	87-010-197-080	CAP,CHIP 0.01 DM	A.....
C	714	87-010-374-080	CAP,ELECT 47-10V	A.....
C	713	87-010-544-080	CAP,ELECT 0.1-50V	A.....
C	719	87-012-141-080	CHIP-CAPACITOR,0.22-16F	A.....
C	735	87-010-178-080	CHIP CAP 1000P	A.....
C	732	87-010-196-080	CHIP CAPACITOR,0.1-25	A.....
C	736	87-010-196-080	CHIP CAPACITOR,0.1-25	A.....
C	739	87-010-318-080	C-CAP,S 47P-50 CH	A.....
C	737	87-010-318-080	C-CAP,S 47P-50 CH	A.....
C	738	87-010-318-080	C-CAP,S 47P-50 CH	A.....
C	733	87-010-544-080	CAP,ELECT 0.1-50V	A.....
C	731	87-010-560-080	CAP,E 10-50 GAS	A.....
C	734	87-012-157-080	C-CAP,S 330P-50 CH	A.....
D	701	87-A40-234-080	ZENER,MTZJ5.6A	A.....
IC	701	87-A20-613-040	C-IC,BU9262AFS	A.....
JW	703	87-008-372-080	FILTER,EMI BL OIRNI	A.....
L	701	87-005-448-080	COIL 220UH,K	A.....
Q	732	87-A30-075-080	C-TR,2SA1235F	A.....
Q	731	87-A30-076-080	C-TR,2SC3052F	A.....
C	952	87-010-112-080	CAP,ELECT 100-16V	A.....
C	955	87-010-197-080	CAP,CHIP 0.01 DM	A.....
C	954	87-010-197-080	CAP,CHIP 0.01 DM	A.....
C	953	87-010-260-080	CAP,ELECT 47-25V	A.....
C	957	87-010-405-080	CAP,ELECT 10-50V	A.....
C	975	87-010-322-080	C-CAP,S 100P-50 CH	A.....
C	974	87-010-401-080	CAP,ELECT 1-50V	A.....
C	973	87-010-401-080	CAP,ELECT 1-50V	A.....
C	971	87-010-402-080	CAP,ELECT 2.2-50V	A.....
C	972	87-010-402-080	CAP,ELECT 2.2-50V	A.....
CN	901	87-099-566-010	CONN,7P TUC-P7P-B1	A.....
CN	951	87-A60-689-010	CONN,7P H GRY TUC-P07X-C1	A.....
IC	951	87-A21-103-040	C-IC,MM1454XFBE	A.....

ELECTRICAL MAIN PARTS LIST - 1/3 (TUNER: ZZA-1)

NOTE: The characters in the suffix column indicate the part usage.

REF.NO	PARTS NO.	NO.	DESCRIPTION	SUFFIX
HESW	XX	E
		KANRI	
C	701	87-010-381-080	0E CAP, ELECT 330-16V	ABCDEFGH
C	702	87-010-404-080	0E CAP, ELECT 4.7-50V	ABCDEFGH
C	711	87-010-260-080	0E CAP, ELECT 47-25V	ABCD.FGH
C	711	87-010-553-080	0E CAP,E 47-16E
C	712	87-010-831-080	0E C-CAP,U,0.1-16F	ABCDEFGH
C	718	87-012-179-080	0E C-CAP,U 20P-50 CH	.BCD
C	727	87-010-196-080	0E CHIP CAPACITOR,0.1-25	ABCDEFGH
C	728	87-010-248-080	0E CAP, ELECT 220-10V	ABCDEFGH
C	721	87-012-176-080	0E CAP 15P	ABCDEFGH
C	722	87-012-176-080	0E CAP 15P	ABCDEFGH
C	720	87-012-195-080	0E C-CAP,U 100P-50CH	ABCDEFGH
C	729	87-012-274-080	0E CHIP CAP,U 1000P-50B	ABCDEFGH
C	725	87-018-131-080	0E CAP, CER 1000P-50VFG
C	805	87-012-286-080	0E CAP, U 0.01-25	ABCDEFGH
C	806	87-012-286-080	0E CAP, U 0.01-25	ABCDEFGH
CN	701	87-A60-650-010	1A CONN,16P H GRY TUC-P16X-C1F
CN	701	87-A60-700-010	0E CONN,13P H GRY TUC-P13X-C1	ABCDE.GH
D	721	87-017-149-080	0E ZENER,HZS6A2L	.BCDEFGH
D	722	87-020-465-080	0E DIODE,1SS133 (110MA)FG
D	721	87-A40-234-080	0E ZENER,MTZJ5.6A	A
IC	721	87-070-127-110	1C IC,LC72131 D	ABCDEFGH
Q	713	87-A30-072-080	0E C-TR,RT1P 144CE
Q	712	87-A30-072-080	0E C-TR,RT1P 144CE
Q	711	87-A30-196-080	0E TR,2SC4115SRS	A
Q	711	87-A30-234-080	0E TR,CSC4115BC	.BCDEFGH
X	721	87-A70-061-010	1A VIB,XTAL 4.500MHZ CSA-309	ABCDEFGH
C	872	87-010-400-080	0E CAP, ELECT 0.47-50V	AB.....H
C	873	87-010-404-080	0E CAP, ELECT 4.7-50V	AB.....H
C	877	87-012-278-080	0E C-CAP,U 2200P-50 B	AB.....H
C	878	87-012-278-080	0E C-CAP,U 2200P-50 B	AB.....H
C	889	87-010-248-080	0E CAP, ELECT 220-10V	AB.....H
C	884	87-010-260-080	0E CAP, ELECT 47-25V	AB.....H
C	883	87-010-404-080	0E CAP, ELECT 4.7-50V	AB.....H
C	885	87-010-545-080	0E CAP, ELECT 0.22-50V	A.....H
C	886	87-010-545-080	0E CAP, ELECT 0.22-50V	A.....H
C	888	87-010-787-080	0E CAP, U 0.022-25	AB.....H
C	881	87-012-141-080	0E CHIP-CAPACITOR,0.22-16F	AB.....H
C	882	87-012-172-080	0E CAPACITOR CHIP U 10P CH	AB.....H
C	887	87-012-286-080	0E CAP, U 0.01-25	AB.....H
C	886	87-016-460-080	0E C-CAP,S 0.22-16 B	.B
C	885	87-016-460-080	0E C-CAP,S 0.22-16 B	.B
IC	871	87-070-060-040	1F IC,TA2040AF	AB.....H
X	873	87-026-226-080	0E CHIP-TR,DTA143EK	AB.....H
C	891	87-030-394-010	1B VIB,CER CSA3.6MGF228	AB.....H
C	705	87-010-213-080	0E C-CAP,S 0.015-50 B
C	706	87-010-213-080	0E C-CAP,S 0.015-50 B
C	705	87-A10-592-080	0E C-CAP,S 0.015-50 J B	.BCDE
C	706	87-A10-592-080	0E C-CAP,S 0.015-50 J B	.BCDE
C	737	87-010-180-080	0E C-CER 1500P
C	734	87-010-180-080	0E C-CER 1500P
C	733	87-010-180-080	0E C-CER 1500P
C	738	87-010-180-080	0E C-CER 1500P
C	735	87-010-213-080	0E C-CAP,S 0.015-50 B
C	736	87-010-213-080	0E C-CAP,S 0.015-50 B
C	736	87-010-987-080	0E C-CAP,S 1500P-50 CH	.BCDE
C	734	87-010-987-080	0E C-CAP,S 1500P-50 CH	.BCDE
C	733	87-010-987-080	0E C-CAP,S 1500P-50 CH	.BCDE
C	735	87-010-987-080	0E C-CAP,S 1500P-50 CH	.BCDE
C	733	87-012-280-080	0E CAP, U 3300P-50FG
C	734	87-012-280-080	0E CAP, U 3300P-50FG
C	737	87-A10-592-080	0E C-CAP,S 0.015-50 J B	.BCDE
C	738	87-A10-592-080	0E C-CAP,S 0.015-50 J B	.BCDE
C	752	87-010-220-080	0E C-CAP,S 0.018-25 B	.B.E
C	751	87-010-220-080	0E C-CAP,S 0.018-25 B	.B.E
C	758	87-012-167-080	0E C-CAP,U 5P-50 CH	ABCDEFGH
C	757	87-012-188-080	0E C-CAP,U 47P-50 CH	ABCDEFGH
C	753	87-012-195-080	0E C-CAP,U 100P-50CHFG
C	752	87-012-282-080	0E CAP, U 4700P-50FG
C	756	87-012-286-080	0E CAP, U 0.01-25	ABCDEFGH
C	752	87-012-365-080	0E C-CAP,S 0.027-25VBK	..CD
C	751	87-012-365-080	0E C-CAP,S 0.027-25VBK	..CD
C	766	87-010-197-080	0E CAP, CHIP 0.01 DMFG
C	769	87-010-260-080	0E CAP, ELECT 47-25V	ABCDEFGH
C	765	87-012-286-080	0E CAP, U 0.01-25	ABCDEFGH
C	768	87-012-286-080	0E CAP, U 0.01-25	ABCDEFGH
C	764	87-012-337-080	0E C-CAP,U 56P-50 CH	ABCDE.H
C	774	87-010-263-080	0E CAP, ELECT 100-10V	ABCDEFGH
C	771	87-010-383-080	0E CAP, ELECT 33-25V	ABCDEFGH
C	777	87-010-400-080	0E CAP, ELECT 0.47-50V	ABCDE.H
C	775	87-010-404-080	0E CAP, ELECT 4.7-50V	ABCDEFGH
C	777	87-010-493-040	0E CAP,E 0.47-50 GAS
C	777	87-010-493-080	0E CAP,E 0.47-50 GASFG
C	770	87-010-829-080	0E CAP, U 0.047-16	ABCDEFGH
C	780	87-010-196-080	0E CHIP CAPACITOR,0.1-25	ABCDEFGH
C	785	87-010-401-080	0E CAP, ELECT 1-50V	ABCDEFGH
C	786	87-010-401-080	0E CAP, ELECT 1-50V	ABCDEFGH

ELECTRICAL MAIN PARTS LIST - 2/3 (TUNER: ZZA-1)

C	786	87-010-405-080	0E	CAP, ELECT 10-50V	ABCDEFGHIH.....
C	785	87-010-405-080	0E	CAP, ELECT 10-50V	ABCDEFGHIH.....
C	786	87-010-494-080	0E	CAP ELECT GAS 1/50E.....
C	785	87-010-494-080	0E	CAP ELECT GAS 1/50E.....
C	788	87-012-275-080	0E	C-CAP,U 1200P-50 B	ABCDEFGHIH.....
C	787	87-012-275-080	0E	C-CAP,U 1200P-50 B	ABCDEFGHIH.....
C	784	87-012-286-080	0E	CAP, U 0.01-25	ABCDEFGHIH.....
C	796	87-010-403-080	0E	CAP, ELECT 3.3-50V	ABCDEFGHIH.....
C	794	87-010-406-080	0E	CAP, ELECT 22-50	ABCDEFGHIH.....
C	795	87-010-596-080	0E	CAP, S 0.047-16	..CDEFG.....
C	793	87-012-273-080	0E	C-CAP,U 820P-50 B	ABCDEFGHIH.....
C	797	87-012-276-080	0E	CAP, CHIP SS 1500 PBK	A...FGH.....
C	798	87-012-276-080	0E	CAP, CHIP SS 1500 PBK	A...FGH.....
D	771	87-020-465-080	0E	DIODE,1SS133 (110MA)	ABCDEFGHIH.....
D	773	87-A40-291-080	0E	DIODE,1N4148 (CPT)
IC	771	87-A20-913-010	1D	IC,LA1837NL	ABCDEFGHIH.....
L	771	87-A50-266-010	1A	COIL,FM DET-2N(TOK)	ABCDEFGHIH.....
L	772	87-A90-052-010	1C	FLTR,CFMT-450A(TOK)E.....
L	772	87-A90-053-010	1C	FLTR,PCFMT-060(TOK)	AB.....H.....
L	772	87-A90-733-010	1A	FLTR,PCFAZH-450 (TOK)
L	772	87-A91-110-010	1B	FLTR,PCFJZH-450 (TOK)	..CD.FG.....
L	781	87-005-847-080	0E	COIL,2.2UH(CECS)FG.....
L	791	87-A50-027-010	1A	COIL,1 POLE MPX(TOK)FG.....
L	792	87-A50-027-010	1A	COIL,1 POLE MPX(TOK)FG.....
X	771	87-030-354-010	1A	VIB,CF BFU 450CE.....
C	859	87-012-286-080	0E	CAP, U 0.01-25F.....
C	865	87-010-196-080	0E	CHIP CAPACITOR,0.1-25F.....
C	866	87-010-405-080	0E	CAP, ELECT 10-50VF.....
C	864	87-010-405-080	0E	CAP, ELECT 10-50VF.....
C	869	87-012-180-080	0E	C-CAP,U 22P-50 CHF.....
C	868	87-012-184-080	0E	C-CAP,U 33P-50 CHF.....
C	862	87-012-199-080	0E	CAP 220PF.....
C	861	87-012-199-080	0E	CAP 220PF.....
C	863	87-012-270-080	0E	CAP, U 470P-50F.....
C	867	87-012-286-080	0E	CAP, U 0.01-25F.....
IC	851	87-A20-440-040	1H	C-IC,BU1920FSF.....
L	851	87-005-847-080	0E	COIL,2.2UH(CECS)F.....
Q	853	87-A30-076-080	0E	C-TR,2SC3052FF.....
X	851	87-A70-091-010	1B	VIB,XTAL 4.332MHZ CSA-309F.....
C	801	87-012-286-080	0E	CAP, U 0.01-25	ABCDEFGHIH.....
C	809	87-012-286-080	0E	CAP, U 0.01-25	ABCDEFGHIH.....
C	802	87-012-286-080	0E	CAP, U 0.01-25	ABCDEFGHIH.....
C	803	87-012-286-080	0E	CAP, U 0.01-25	ABCDEFGHIH.....
C	804	87-012-286-080	0E	CAP, U 0.01-25	ABCDEFGHIH.....
C	808	87-012-286-080	0E	CAP, U 0.01-25	ABCDEFGHIH.....
C	807	87-012-286-080	0E	CAP, U 0.01-25	ABCDEFGHIH.....
C	810	87-012-286-080	0E	CAP, U 0.01-25	ABCDEFGHIH.....
C	820	87-010-260-080	0E	CAP, ELECT 47-25V	ABCDEFGHIH.....
C	893	87-012-286-080	0E	CAP, U 0.01-25	ABCDEFGHIH.....
C	894	87-012-286-080	0E	CAP, U 0.01-25	ABCDEFGHIH.....
C	942	87-012-168-080	0E	C-CAP,U 6P-50 CHFG.....
C	942	87-012-172-080	0E	CAPACITOR CHIP U 10P CH
C	941	87-012-180-080	0E	C-CAP,U 22P-50 CHE.....
C	944	87-014-049-080	0E	CAP,PP 470P-100 J
C	944	87-014-051-080	0E	CAPACITOR (PP), 560PE.....
C	949	87-A10-039-080	0E	C-CAP,U 470P-50 J CHFG.....
C	958	87-010-197-080	0E	CAP, CHIP 0.01 DMFG.....
C	956	87-010-263-080	0E	CAP, ELECT 100-10VE.....
C	959	87-010-831-080	0E	C-CAP,U,0.1-16FEFG.....
C	954	87-012-358-080	0E	C-CAP,S 0.47-10 F ZE.....
C	950	87-014-073-080	0E	CAP,PP 4700P-100 JE.....
C	963	87-010-196-080	0E	CHIP CAPACITOR,0.1-25	ABCDEFGHIH.....
C	962	87-010-401-080	0E	CAP, ELECT 1-50VFG.....
C	964	87-012-170-080	0E	C-CAP,U 8P-50 CH	A.....
C	961	87-012-174-080	0E	CAP CHIP CERA SS 12P CHJ	..BCD...H.....
C	960	87-012-350-080	0E	C-CAP,1-25 FE.....
CF	802	82-785-747-010	1A	CF MS2 GHY RFG.....
CF	802	87-008-261-010	1A	FILTER, SFE10.7MA5-A	ABCDE..H.....
CF	801	87-008-261-010	1A	FILTER, SFE10.7MA5-A	ABCDE..H.....
CF	801	87-008-423-010	1A	CERAMIC FILTER, SFE10.7FG.....
D	944	87-020-465-080	0E	DIODE,1SS133 (110MA)EFG.....
D	942	87-A40-270-080	0E	C-DIODE,MC2838FG.....
D	981	87-A40-618-080	1B	VARI-CAP,SVC 348(S/T)E.....
FFE	801	A8-6ZA-190-030	0E	6ZA-1 FEUNM
FFE	801	A8-6ZA-191-130		6ZA-1 FEENM
FFE	801	A8-6ZA-192-030	2Y	6ZA-1 FEJNM	..B.....
FFE	801	A8-6ZA-193-130		6ZA-1 FEVNM
FFE	801	A8-6ZA-199-170		6ZA-1 FEENC
FFE	801	A8-6ZA-19A-070		6ZA-1 FEJNC
FFE	801	A8-6ZA-19D-070	1H	6ZA-1 YFEJNC	A.....H.....
FFE	801	A8-8ZA-190-030		8ZA-1 FEUNM	..C.E.....
FFE	801	A8-8ZA-192-070		8ZA-1 FEUNC
FFE	801	A8-8ZA-193-070	1E	8ZA-1 YFEUNCD.....
J	801	87-033-241-010	1B	TERMINAL,ANT AJ-2039FG.....
J	801	87-A60-702-010	1B	TERMINAL,ANT 4P CJ-9036	ABCD...H.....
J	801	87-A60-703-010	1A	TERMINAL,ANT 3P CJ-9037E.....
J	940	81-754-629-010	0E	CONNECTOR, 2PE.....
L	832	87-005-847-080	0E	COIL,2.2UH(CECS)FG.....
L	943	87-005-372-080	0E	COIL S 1MHM
L	942	87-A50-019-010	0E	COIL,OSC LW(COI)FG.....
L	941	87-A50-020-010	0E	COIL,ANT LW(COI)FG.....
L	941	87-A50-022-010	0E	COIL,ANT SW(COI)E.....

ELECTRICAL MAIN PARTS LIST - 3/3 (TUNER: ZZA-1)

L	944	87-A50-159-010	0E	COIL,10MH K C2BE.....
L	942	87-A50-173-010	0E	COIL,OSC SW-N(COI)E.....
L	943	87-A50-432-010	0E	COIL,1MH K CWE.....
L	981	87-A50-430-010	0E	COIL,ANT MW(3BSW)E.....
L	982	87-A50-431-010	0E	COIL,OSC MW(3BSW)E.....
L	981	87-NF4-650-010	1D	COIL,AM PACK 4N(TOK)	A.....
L	981	87-NF4-651-010	1C	COIL,AM PACK2N(TOM)
L	981	88-NF8-625-110	1D	COIL,AM PACK3N(TOK)
L	981	8Z-ZA1-664-010	1D	COIL,AM PACK 4(TOK)	.BCD...H.....
L	981	8Z-ZA1-665-010	1E	COIL,AM PACK 2(TOK)FG.....
Q	712	87-A30-072-080	0E	C-TR,RT1P 144C	ABCD.FGH.....
Q	805	89-327-143-080	0E	TR,2SC2714 (0.1W)	ABCDEFGH.....
Q	942	87-A30-075-080	0E	C-TR,2SA1235FE.....
Q	943	87-A30-075-080	0E	C-TR,2SA1235FE.....
Q	949	87-A30-076-080	0E	C-TR,2SC3052FE.....
Q	945	87-A30-076-080	0E	C-TR,2SC3052FE.....
Q	944	87-A30-076-080	0E	C-TR,2SC3052FE.....
Q	948	87-A30-086-070	0E	C-TR,CSD1306EEFG.....
Q	947	89-503-602-080	1A	C-FET,2SK360EE.....
Q	947	89-505-434-540	0E	C-FET,2SK543(4/5)FG.....
Q	951	87-A30-074-080	0E	C-TR,RT1P 141CEFG.....
TC	942	87-011-164-010	0E	CAPACITOR,TRIMMER 30PFG.....
TC	941	87-011-173-010	1A	CERAMIC TRIMMER 20P
TC	941	87-011-220-080	1A	TRIMMER CAP 20P VTCE.....
TC	943	87-011-221-080	1A	CAP, TRIMMER 30PE.....

ELECTRICAL MAIN PARTS LIST - 1/1 (MD: ZZG-3)

NOTE: The characters in the suffix column indicate the part usage.

REF.NO	PARTS NO.	NO.	DESCRIPTION	SUFFIX
D		XX		A
		KANRI		
C	102	87-067-703-010	0E TAPPING SCREW, BVT2+3-10	AB
C	106	87-010-101-080	0E CAP, ELECT 220-16	AB
C	101	87-010-196-080	0E CAP, ELECT 220-16	AB
C	104	87-010-370-040	0E CHIP CAPACITOR, 0.1-25	AB
C	105	87-010-380-080	0E CAP, E 330-6.3 SME	AB
D	101	87-010-380-080	0E CAP, ELECT 47-16V	AB
D	102	87-A40-304-080	0E ZENER, DZ6.2M	AB
Q	103	87-A40-313-080	0E C-DIODE, MC 2840	AB
Q	102	87-A30-076-080	0E C-TR, 2SC3052F	AB
Q	205	89-213-750-010	1A TR, 2SB1375 (25W)	AB
C	206	87-010-180-080	0E C-CER 1500P	AB
C	201	87-010-180-080	0E C-CER 1500P	AB
C	202	87-010-402-080	0E CAP, ELECT 2.2-50V	AB
C	208	87-010-402-080	0E CAP, ELECT 2.2-50V	AB
C	207	87-010-404-080	0E CAP, ELECT 4.7-50V	AB
C	204	87-010-404-080	0E CAP, ELECT 4.7-50V	AB
C	203	87-012-156-080	0E C-CAP, S 220P-50 CH	AB
C	252	87-012-156-080	0E C-CAP, S 220P-50 CH	AB
C	251	87-010-196-080	0E CHIP CAPACITOR, 0.1-25	AB
IC	201	87-010-408-080	0E CAP, ELECT 47-50V	AB
C	402	87-017-888-080	1A IC, NJM4558MD	AB
C	401	87-010-178-080	0E CHIP CAP 1000P	AB
C	404	87-010-178-080	0E CHIP CAP 1000P	AB
C	403	87-010-196-080	0E CHIP CAPACITOR, 0.1-25	AB
C	411	87-010-196-080	0E CHIP CAPACITOR, 0.1-25	AB
C	421	87-010-140-080	0E CAP 470P	AB
CON	903	87-010-196-080	0E CHIP CAPACITOR, 0.1-25	AB
CON	902	87-009-030-010	0E CONNECTOR 2P PH M	AB
CON	904	87-A60-060-010	0E CONN, 07P V 9604S-07C	AB
CON	901	87-A60-061-010	0E CONN, 06P V 9604S-06C	AB
CON	906	87-A60-139-010	0E CONN, 14P V FE	AB
CON	905	87-A60-422-010	0E CONN, 8P V TOC-B	AB
D	401	87-A60-423-010	0E CONN, 14P V TOC-B	AB
FB	401	87-A40-299-080	0E ZENER, DZ5.1M	AB
IC	401	87-A50-189-080	0E C-COIL, S BLM21B272S	AB
IC	402	87-A20-870-010	1F IC, GP1F37R	AB
Q	402	87-A20-971-040	1A C-IC, SN74LV14APW	AB
Q	401	87-A30-071-080	0E C-TR, RT1N 144C	AB
Q	403	87-A30-074-080	0E C-TR, RT1P 141C	AB
Q	404	87-A30-087-080	0E C-FET, 2SK2158	AB
		87-A30-087-080	0E C-FET, 2SK2158	AB
		87-ZGA-611-010	0E FF-CABLE, 8P 1.0 100MM	AB
		87-ZGA-612-010	1A FF-CABLE, 14P 1.0 100MM	AB
		87-067-703-010	0E TAPPING SCREW, BVT2+3-10	AB
		8Z-NB8-208-010	1B HLDR, MD	AB

ELECTRICAL MAIN PARTS LIST - 1/3 (MD: 7ZG-9)

NOTE: The characters in the suffix column indicate the part usage.

Y	REF.NO	PARTS NO.	XX KANRI NO.	DESCRIPTION	A SUFFIX
C	507	87-010-661-080	0E	C-CAP,E 10-16	AB
C	505	87-010-662-080	0E	C-CAP,E 22-6.3	AB
C	503	87-010-662-080	0E	C-CAP,E 22-6.3	AB
C	509	87-010-662-080	0E	C-CAP,E 22-6.3	AB
C	501	87-010-831-080	0E	C-CAP,U,0.1-16F	AB
C	508	87-010-831-080	0E	C-CAP,U,0.1-16F	AB
C	502	87-010-831-080	0E	C-CAP,U,0.1-16F	AB
C	506	87-010-831-080	0E	C-CAP,U,0.1-16F	AB
C	504	87-010-831-080	0E	C-CAP,U,0.1-16F	AB
C	514	87-010-661-080	0E	C-CAP,E 10-16	AB
C	511	87-010-661-080	0E	C-CAP,E 10-16	AB
C	513	87-010-661-080	0E	C-CAP,E 10-16	AB
C	519	87-010-831-080	0E	C-CAP,U,0.1-16F	AB
C	510	87-010-831-080	0E	C-CAP,U,0.1-16F	AB
C	518	87-012-278-080	0E	C-CAP,U 2200P-50 B	AB
C	517	87-012-278-080	0E	C-CAP,U 2200P-50 B	AB
C	515	87-012-337-080	0E	C-CAP,U 56P-50 CH	AB
C	516	87-012-337-080	0E	C-CAP,U 56P-50 CH	AB
C	522	87-010-661-080	0E	C-CAP,E 10-16	AB
C	520	87-010-661-080	0E	C-CAP,E 10-16	AB
C	528	87-010-661-080	0E	C-CAP,E 10-16	AB
C	527	87-010-661-080	0E	C-CAP,E 10-16	AB
C	523	87-010-662-080	0E	C-CAP,E 22-6.3	AB
C	524	87-010-662-080	0E	C-CAP,E 22-6.3	AB
C	521	87-010-831-080	0E	C-CAP,U,0.1-16F	AB
C	526	87-012-274-080	0E	CHIP CAP,U 1000P-50B	AB
C	525	87-012-274-080	0E	CHIP CAP,U 1000P-50B	AB
C	531	87-010-831-080	0E	C-CAP,U,0.1-16F	AB
C	530	87-010-831-080	0E	C-CAP,U,0.1-16F	AB
FB	501	87-A90-828-080	0E	C-F-BEAD, BK1608LM182	AB
IC	501	87-017-853-040	1B	IC,NJM2100V	AB
IC	500	87-A20-698-080	2M	C-IC,AK4512VF	AB
IC	500	87-A21-110-040	2A	C-IC,AK4519VF	AB
L	505	87-005-774-080	1B	C-COIL,4BLH	AB
L	504	87-005-774-080	1B	C-COIL,4BLH	AB
L	503	87-A50-116-080	0E	C-COIL,4.7UHLQH3C	AB
L	502	87-A50-116-080	0E	C-COIL,4.7UHLQH3C	AB
L	501	87-A50-116-080	0E	C-COIL,4.7UHLQH3C	AB
C	104	87-010-662-080	0E	C-CAP,E 22-6.3	AB
C	103	87-010-787-080	0E	CAP, U 0.022-25	AB
C	105	87-010-831-080	0E	C-CAP,U,0.1-16F	AB
C	107	87-012-195-080	0E	C-CAP,U 100P-50CH	AB
C	108	87-012-274-080	0E	CHIP CAP,U 1000P-50B	AB
C	102	87-012-286-080	0E	CAP, U 0.01-25	AB
C	100	87-016-296-080	1A	C-CAP,TN 22-4SV(A)	AB
C	101	87-016-296-080	1A	C-CAP,TN 22-4SV(A)	AB
C	109	87-016-436-080	1B	C-CAP,TN 47-4(B2)	AB
C	106	87-016-462-080	0E	C-CAP,S 1-16 F	AB
C	114	87-010-828-080	0E	CHIP CAPACITOR,U 0.033-25F	AB
C	118	87-012-282-080	0E	CAP, U 4700P-50	AB
C	116	87-012-282-080	0E	CAP, U 4700P-50	AB
C	113	87-012-284-080	0E	CAP, U 6800P-50	AB
C	112	87-012-286-080	0E	CAP, U 0.01-25	AB
C	111	87-016-296-080	1A	C-CAP,TN 22-4SV(A)	AB
C	117	87-016-462-080	0E	C-CAP,S 1-16 F	AB
C	119	87-016-491-080	0E	C-CAP,S 0.22-16 FZ	AB
C	115	87-A10-369-080	0E	C-CAP,S 0.47-16 K B	AB
C	124	87-010-662-080	0E	C-CAP,E 22-6.3	AB
C	125	87-010-662-080	0E	C-CAP,E 22-6.3	AB
C	120	87-010-787-080	0E	CAP, U 0.022-25	AB
C	122	87-010-829-080	0E	CAP, U 0.047-16	AB
C	126	87-010-831-080	0E	C-CAP,U,0.1-16F	AB
C	121	87-012-286-080	0E	CAP, U 0.01-25	AB
C	123	87-012-286-080	0E	CAP, U 0.01-25	AB
C	203	87-010-785-080	0E	C-CAP,U0.015-25BK	AB
C	201	87-010-831-080	0E	C-CAP,U,0.1-16F	AB
C	202	87-010-831-080	0E	C-CAP,U,0.1-16F	AB
C	209	87-010-831-080	0E	C-CAP,U,0.1-16F	AB
C	205	87-010-831-080	0E	C-CAP,U,0.1-16F	AB
C	206	87-012-270-080	0E	CAP, U 470P-50	AB
C	208	87-012-286-080	0E	CAP, U 0.01-25	AB
C	204	87-016-461-080	0E	C-CAP,S 0.47-16F	AB
C	207	87-016-461-080	0E	C-CAP,S 0.47-16F	AB
C	213	87-010-662-080	0E	C-CAP,E 22-6.3	AB
C	218	87-012-172-080	0E	CAPACITOR CHIP U 10P CH	AB
C	210	87-012-172-080	0E	CAPACITOR CHIP U 10P CH	AB
C	211	87-012-172-080	0E	CAPACITOR CHIP U 10P CH	AB
C	217	87-012-188-080	0E	C-CAP,U 47P-50 CH	AB
C	212	87-012-195-080	0E	C-CAP,U 100P-50CH	AB
C	214	87-012-274-080	0E	CHIP CAP,U 1000P-50B	AB
C	219	87-016-296-080	1A	C-CAP,TN 22-4SV(A)	AB
C	220	87-010-662-080	0E	C-CAP,E 22-6.3	AB
C	226	87-010-831-080	0E	C-CAP,U,0.1-16F	AB
C	225	87-010-831-080	0E	C-CAP,U,0.1-16F	AB
C	223	87-010-831-080	0E	C-CAP,U,0.1-16F	AB
C	221	87-010-831-080	0E	C-CAP,U,0.1-16F	AB

ELECTRICAL MAIN PARTS LIST - 2/3 (MD: 7ZG-9)

C	228	87-012-274-080	0E	CHIP CAP,U 1000P-50B	AB.....
C	229	87-012-274-080	0E	CHIP CAP,U 1000P-50B	AB.....
C	227	87-012-274-080	0E	CHIP CAP,U 1000P-50B	AB.....
C	222	87-016-444-080	1B	C-CAP,TN 47-10 F95E	AB.....
C	224	87-A10-685-080	0E	C-CAP,S 470P-100 J CH	AB.....
C	236	87-010-831-080	0E	C-CAP,U,0.1-16F	AB.....
C	232	87-012-274-080	0E	CHIP CAP,U 1000P-50B	AB.....
C	233	87-012-274-080	0E	CHIP CAP,U 1000P-50B	AB.....
C	307	87-010-831-080	0E	C-CAP,U,0.1-16F	AB.....
C	308	87-010-831-080	0E	C-CAP,U,0.1-16F	AB.....
C	301	87-010-831-080	0E	C-CAP,U,0.1-16F	AB.....
C	302	87-010-831-080	0E	C-CAP,U,0.1-16F	AB.....
C	300	87-010-831-080	0E	C-CAP,U,0.1-16F	AB.....
C	305	87-016-462-080	0E	C-CAP,S 1-16 F	AB.....
C	311	87-010-662-080	0E	C-CAP,E 22-6.3	AB.....
C	312	87-012-195-080	0E	C-CAP,U 100P-50CH	AB.....
C	325	87-012-274-080	0E	CHIP CAP,U 1000P-50B	AB.....
C	321	87-012-274-080	0E	CHIP CAP,U 1000P-50B	AB.....
C	322	87-012-274-080	0E	CHIP CAP,U 1000P-50B	AB.....
C	324	87-012-274-080	0E	CHIP CAP,U 1000P-50B	AB.....
C	323	87-012-274-080	0E	CHIP CAP,U 1000P-50B	AB.....
C	405	87-010-661-080	0E	C-CAP,E 10-16	AB.....
C	406	87-010-779-080	0E	C-CAP,E 100-6.3	AB.....
C	403	87-010-831-080	0E	C-CAP,U,0.1-16F	AB.....
C	400	87-010-831-080	0E	C-CAP,U,0.1-16F	AB.....
C	404	87-010-831-080	0E	C-CAP,U,0.1-16F	AB.....
C	401	87-010-831-080	0E	C-CAP,U,0.1-16F	AB.....
C	402	87-010-831-080	0E	C-CAP,U,0.1-16F	AB.....
C	407	87-012-197-080	0E	C-CAP,U 150P-50 CH	AB.....
C	408	87-012-197-080	0E	C-CAP,U 150P-50 CH	AB.....
C	413	87-012-197-080	0E	C-CAP,U 150P-50 CH	AB.....
C	414	87-012-197-080	0E	C-CAP,U 150P-50 CH	AB.....
C	417	87-012-268-080	0E	C-CAP,U 330P-50 B	AB.....
C	418	87-012-268-080	0E	C-CAP,U 330P-50 B	AB.....
C	411	87-012-271-080	0E	CAP, U 560P-50	AB.....
C	412	87-012-271-080	0E	CAP, U 560P-50	AB.....
C	429	87-012-286-080	0E	CAP, U 0.01-25	AB.....
C	424	87-012-286-080	0E	CAP, U 0.01-25	AB.....
C	423	87-012-286-080	0E	CAP, U 0.01-25	AB.....
C	431	87-010-779-080	0E	C-CAP,E 100-6.3	AB.....
C	434	87-010-831-080	0E	C-CAP,U,0.1-16F	AB.....
C	430	87-012-286-080	0E	CAP, U 0.01-25	AB.....
C	600	87-010-662-080	0E	C-CAP,E 22-6.3	AB.....
C	603	87-010-662-080	0E	C-CAP,E 22-6.3	AB.....
C	601	87-010-779-080	0E	C-CAP,E 100-6.3	AB.....
C	602	87-010-779-080	0E	C-CAP,E 100-6.3	AB.....
C	604	87-010-779-080	0E	C-CAP,E 100-6.3	AB.....
C	607	87-010-831-080	0E	C-CAP,U,0.1-16F	AB.....
C	608	87-010-831-080	0E	C-CAP,U,0.1-16F	AB.....
C	605	87-012-286-080	0E	CAP, U 0.01-25	AB.....
CN	401	87-A60-062-010	0E	CONN,05P V 9604S-05C	AB.....
D	101	87-001-166-080	0E	DIODE,1SS301	AB.....
D	201	87-A40-412-040	0E	C-DIODE,SB05-05CP	AB.....
D	202	87-A40-412-040	0E	C-DIODE,SB05-05CP	AB.....
D	301	87-001-166-080	0E	DIODE,1SS301	AB.....
D	302	87-001-166-080	0E	DIODE,1SS301	AB.....
IC	100	87-A20-707-010	2B	C-IC,CXA2523AR	AB.....
IC	200	87-A20-708-010	2D	C-IC,CXD2652AR	AB.....
IC	203	87-A20-709-040	1H	C-IC,BD7910FV	AB.....
IC	304	87-A20-710-040	1B	C-IC,S-8110AMP	AB.....
IC	303	87-A20-755-080	1B	C-IC,AK93C45AF	AB.....
IC	301	87-A20-837-040	2M	C-IC,NN51V4400ZJ-60	AB.....
IC	300	87-ZG9-601-010	2B	C-IC,CXP81952
IC	300	87-ZG9-605-110	2P	C-IC,CXP81952-521R
IC	301	87-ZG9-606-040	2M	C-IC,MN41V4400SJ-08
IC	300	87-ZG9-607-010	2M	C-IC,CXP81952-****	AB.....
IC	400	87-A20-711-040	1E	C-IC,BA5970FP	AB.....
IC	401	87-A20-712-040	1B	C-IC,BA6417F	AB.....
IC	602	87-A20-714-040	1B	C-IC,NJM2370U33	AB.....
IC	600	87-A20-797-040	1B	C-IC,NJU7221U30	AB.....
IC	603	87-A20-797-040	1B	C-IC,NJU7221U30	AB.....
IC	601	87-A20-798-040	1B	C-IC,NJU7221U35	AB.....
L	101	87-A50-012-080	0E	C-COIL,100UH LQH3C	AB.....
L	100	87-A50-117-080	0E	C-COIL,10UHLQH3C	AB.....
L	102	87-A50-117-080	0E	C-COIL,10UHLQH3C	AB.....
L	103	87-A50-117-080	0E	C-COIL,10UHLQH3C	AB.....
L	203	87-A50-116-080	0E	C-COIL,4.7UHLQH3C	AB.....
L	201	87-A50-117-080	0E	C-COIL,10UHLQH3C	AB.....
L	202	87-A50-117-080	0E	C-COIL,10UHLQH3C	AB.....
L	301	87-A50-117-080	0E	C-COIL,10UHLQH3C	AB.....
L	613	87-005-512-080	0E	C-COIL,BLM21A05	AB.....
L	612	87-005-512-080	0E	C-COIL,BLM21A05	AB.....
L	611	87-A50-163-080	1A	C-COIL,ZBFS5101-PT	AB.....
L	614	87-A50-163-080	1A	C-COIL,ZBFS5101-PT	AB.....
L	616	87-A50-163-080	1A	C-COIL,ZBFS5101-PT	AB.....
L	615	87-A90-034-080	1A	C-FLTR,EMI BLM41P750	AB.....
Q	101	87-026-423-080	0E	C-TR RN2305	AB.....
Q	102	89-115-884-080	0E	CHIP -TRANSISTER,2SA1588Y	AB.....
Q	103	89-341-164-080	0E	CHIP-TRANSISTOR,2SC4116 Y	AB.....
Q	402	87-026-412-080	0E	C-TR RN1305	AB.....
R	425	87-022-583-080	0E	C-RES,U M/F 12K D	AB.....
R	426	87-022-583-080	0E	C-RES,U M/F 12K D	AB.....

ELECTRICAL MAIN PARTS LIST - 3/3 (MD: 7ZG-9)

R	423	87-025-564-080	0E	C-RES,U M/F 47K D	AB.....
R	424	87-025-564-080	0E	C-RES,U M/F 47K D	AB.....
X	200	87-A70-105-080	1B	C-VIB,XTAL 22.5792MHZ SMD-49	AB.....
X	301	87-A70-100-080	1B	C-VIB,CER 12.0MHZ PBRC-BR-A	AB.....

MECHANICAL PARTS LIST - 1/1

NOTE: The characters in the suffix column indicate the part usage.

HR	REF.NO	PARTS NO.	XX KANRI NO.	DESCRIPTION	A SUFFIX
		82-NE6-067-010		BADGE,AIWA 30N	A.....
		86-NF6-007-010		WINDOW, TOP	A.....
		87-NB8-014-010		WINDOW, FLAP N	A.....
		8Z-DH8-001-010		CABI, FR H	A.....
		8Z-DH8-002-010		PANEL, TRAY	A.....
		8Z-DH8-006-010		WINDOW, DISP V-CD	A.....
		8Z-DH8-013-010		CABI, REAR HRS	A.....
		8Z-NB8-006-010		PANEL, MD	A.....
		8Z-NB8-007-110		WINDOW, CD	A.....
		8Z-NB8-009-010		WINDOW, CASS 1	A.....
		8Z-NB8-010-010		WINDOW, CASS 2	A.....
		8Z-NB8-011-110		PANEL, LEFT V-2	A.....
		8Z-NB8-012-010		PANEL, RIGHT V-2	A.....
		8Z-NB8-013-010		PANEL, TOP V-2	A.....
		8Z-NB8-039-010		BOX, CASS 1 EX	A.....
		8Z-NB8-040-010		BOX, CASS 2 EX	A.....
		87-NB8-017-010		KNOB, RTRY MIC	A.....
		8Z-DH8-003-010		KEY, GEQ	A.....
		8Z-DH8-004-010		KEY, PBC	A.....
		8Z-DH8-005-010		KEY, ECHO	A.....
		8Z-NB8-015-010		KEY, POWER	A.....
		8Z-NB8-016-110		KEY, ASSY FUN	A.....
		8Z-NB8-019-110		KNOB, RTRY JOG	A.....
		8Z-NB8-020-110		KNOB, RTRY VOL	A.....
		8Z-NB8-022-010		KEY, MD EJECT	A.....
		8Z-NB8-027-110		KEY, CD	A.....
		8Z-NB8-028-010		KEY, ASSY OPE	A.....
		8Z-NB8-032-010		KEY, ECO	A.....
		8Z-NB8-033-010		REFLECTOR, ECO	A.....
		8Z-NB8-034-010		KEY, RDS	A.....
		8Z-NB8-045-010		KEY, MD ENTER EX	A.....
		81-532-080-010		LABEL, CASS. COMPT	A.....
		8Z-NB8-021-010		REFLECTOR, JOG	A.....
		8Z-NB8-035-110		PANEL, JOG	A.....
		8Z-NB8-036-110		PANEL, VOL	A.....
		87-NF6-616-010		CONN ASSY, 8P RPB	A.....
		84-ZG1-245-210		CAP, OPTICAL	A.....
		82-NF5-218-010		SPR-T, EJECT 1 (SIN)	A.....
		82-NF5-219-010		SPR-T, EJECT 2 (SIN)	A.....
		82-NF5-229-010		PLATE, LOCK	A.....
		86-NF9-224-010		SPR-C, LOCK	A.....
		87-064-185-010		HLDR, WIRE	A.....
		87-NBG-207-010		SPR-T, FLAP NBG	A.....
		87-NF4-216-010		HLDR, LOCK 1	A.....
		87-NF4-217-110		HLDR, LOCK 2	A.....
		87-NF4-221-010		HLDR, CABLE	A.....
		87-NF8-220-010		DMPR, 150	A.....
		8Z-NB8-215-010		HLDR, PWB M	A.....
		8Z-NB8-216-010		HLDR, FAN	A.....
		8Z-NB8-240-010		COVER, PL	A.....
		87-067-579-010		TAPPING SCREW, BVT2+3-8	A.....
		87-067-584-010		TAPPING SCREW, BVT2+3-6	A.....
		87-067-585-010		TAPPING SCREW, BVTT+4-6	A.....
		87-067-688-010		BVTT+3-6	A.....
		87-067-703-010		TAPPING SCREW, BVT2+3-10	A.....
		87-078-191-010		S-SCREW, IT+4-10	A.....
		87-721-097-410		QT2+3-12 GLD	A.....
		87-723-096-410		QT2+3-10W/O SLOT BL	A.....
		87-B10-184-010		BVTT+3-20 W/O SLOT	A.....
		87-NF4-224-010		S-SCREW, IT3B+3-8 CU	A.....
		87-050-079-010		AC-CORD ASSY, E	A.....
		87-085-185-010		BUSHING, AC CORD (E)	A.....
		87-A90-796-010		FAN, F614R-12MC-15-300MM	A.....
		88-906-171-110		FF-CABLE, 6P 1.25	A.....
		88-907-251-110		FF-CABLE, 7P 1.25	A.....
		88-913-271-110		FF-CABLE, 13P 1.25	A.....
		88-914-161-110		FF-CABLE, 14P 1.25	A.....
		88-915-091-110		FF-CABLE, 15P 1.25	A.....
		8Z-NB8-606-010		PT, ZNB-8 LH	A.....
		87-NF5-203-010		GUIDE, FL	A.....
		8Z-NB8-211-010		GUIDE, OPE	A.....
		87-067-703-010		TAPPING SCREW, BVT2+3-10	A.....
WH	1	87-A90-510-010		HLDR, WIRE 2.5-9P	A.....

MECHANICAL PARTS LIST - 1/1 (MD: ZZG-3)

NOTE: The characters in the suffix column indicate the part usage.

REF.NO	PARTS NO.	NO.	DESCRIPTION	SUFFIX
D		XX.....		A.....
		KANRI		
	87-067-703-010	0E	TAPPING SCREW, BVT2+3-10	AB.....
	87-ZGA-611-010	0E	FF-CABLE, 8P 1.0 100MM	AB.....
	87-ZGA-612-010	1A	FF-CABLE, 14P 1.0 100MM	AB.....
	87-067-703-010	0E	TAPPING SCREW, BVT2+3-10	AB.....
	8Z-NB8-208-010	1B	HLDR,MD	AB.....

MECHANICAL PARTS LIST - 1/1 (MD: 7ZG-9)

NOTE: The characters in the suffix column indicate the part usage.

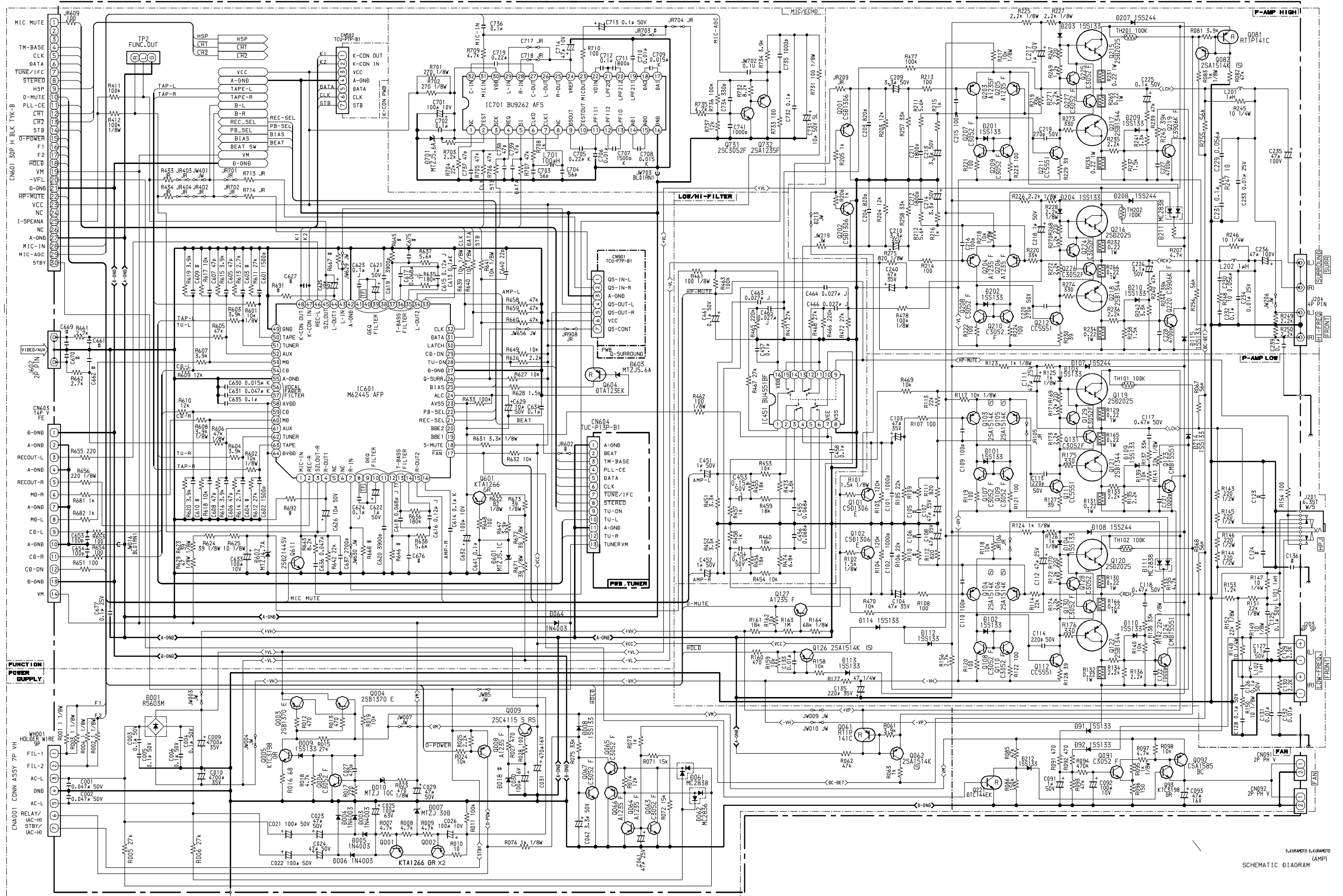
REF.NO	PARTS NO.	NO.	DESCRIPTION	SUFFIX
Y		XX.....		A.....
		KANRI		
	87-067-020-010	0E	SCREW, VTT+3-4	AB.....
	87-067-421-010	0E	VTT+2-4	AB.....
	87-ZG9-208-010	0E	S-SCREW,MD T	AB.....
	87-ZG9-209-010	0E	S-SCREW,MD TF	AB.....
	87-ZG9-201-110	1C	HLDR,SHLD BOT	AB.....
	87-ZG9-202-110	1C	HLDR,SHLD TOP	AB.....
	87-ZG9-602-010	1B	FF-CABLE, 21P 0.5 90MM	AB.....
	87-ZG9-603-010	0E	FF-CABLE, 8P 1.0 120MM	AB.....
	87-ZG9-604-010	0E	FF-CABLE, 5P 1.25 100MM	AB.....

ACCESSORIES / PACKAGE LIST - 1/1

NOTE: The characters in the suffix column indicate the part usage.

HR	REF.NO	PARTS NO.	XX KANRI NO.	DESCRIPTION	A SUFFIX
		8Z-DH8-901-010		IB,H(ECC-K)I	A.....
		87-043-095-010		WIRE ANTENNA	A.....
		87-043-115-010		ANT,FEEDER FM	A.....
		87-050-103-010		CORD,PIN 1PY1.5M	A.....
		8Z-DH8-701-010		RC UNIT,RC-ZAS13	A.....
ANT	0	87-006-269-010		AM LOOP ANT (UN)	A.....
PG	0	87-A91-017-010		PLUG,CONVERSION JT-0476	A.....

SCHEMATIC DIAGRAM - 1 (MAIN : 1/3)



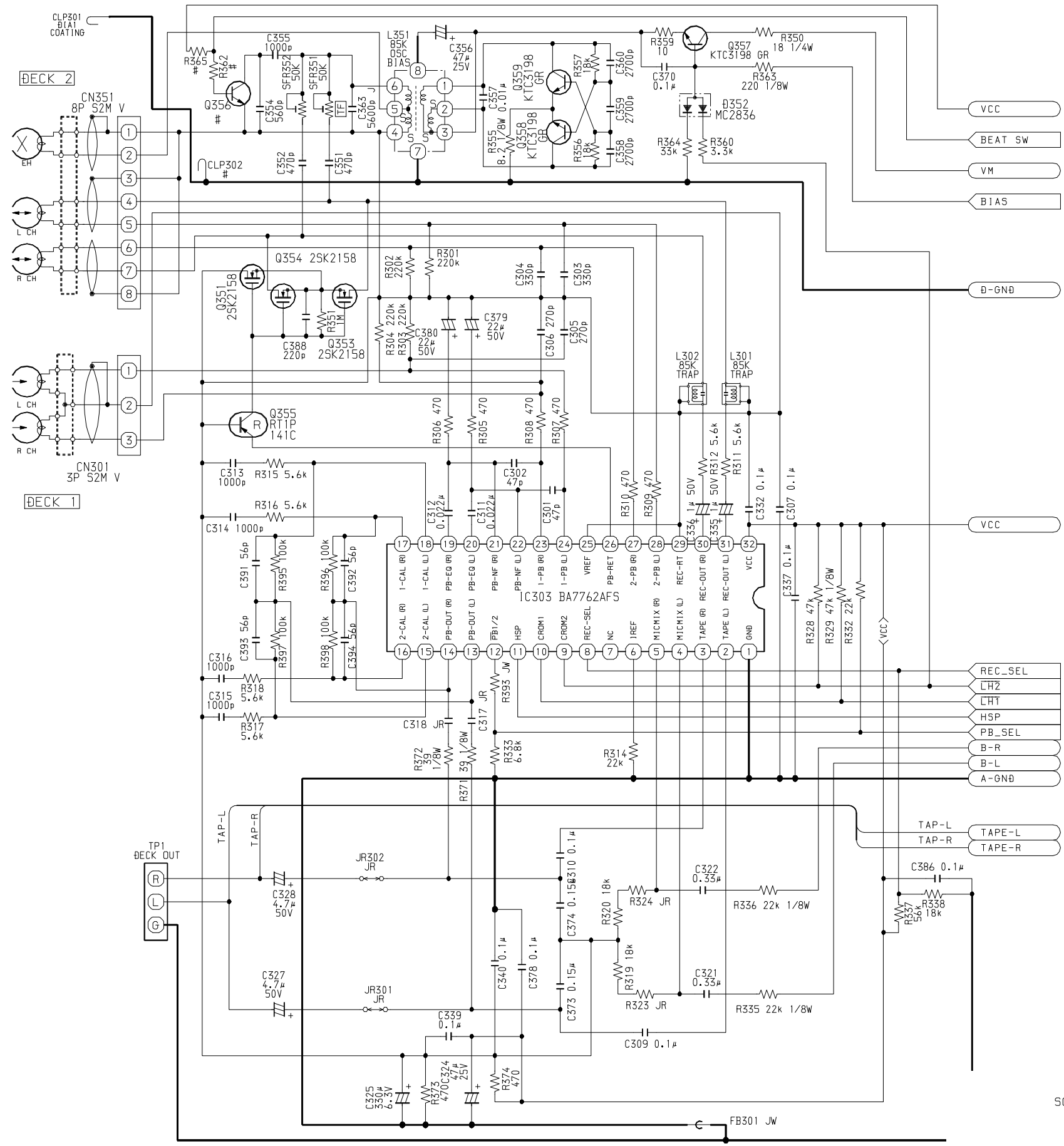
T-2DH-8-MAIN.P1

ZDH-8

SCHEMATIC DIAGRAM (AMP)

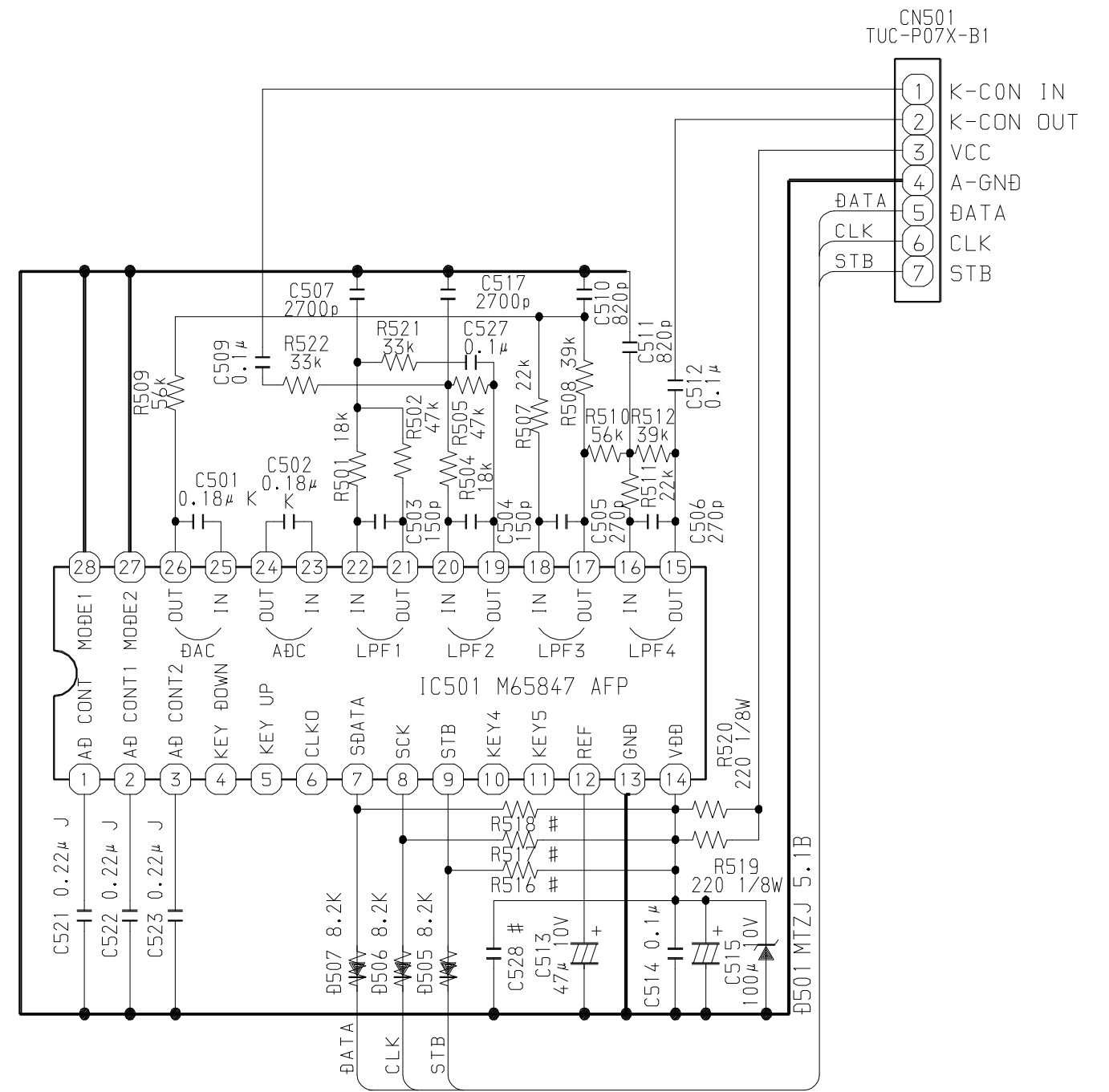
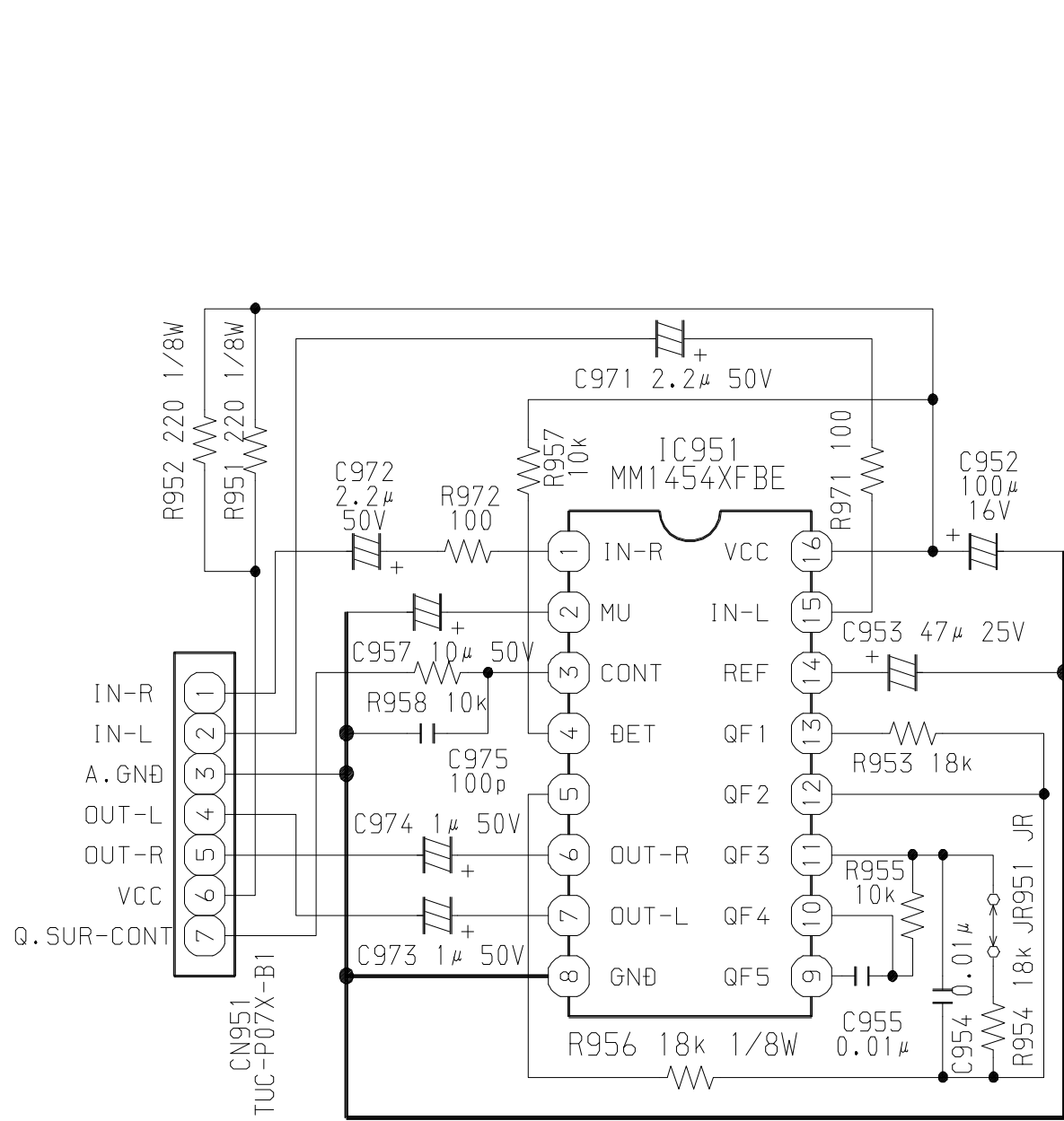
23 MAR 1999

SCHEMATIC DIAGRAM - 2 (MAIN : 2/3)



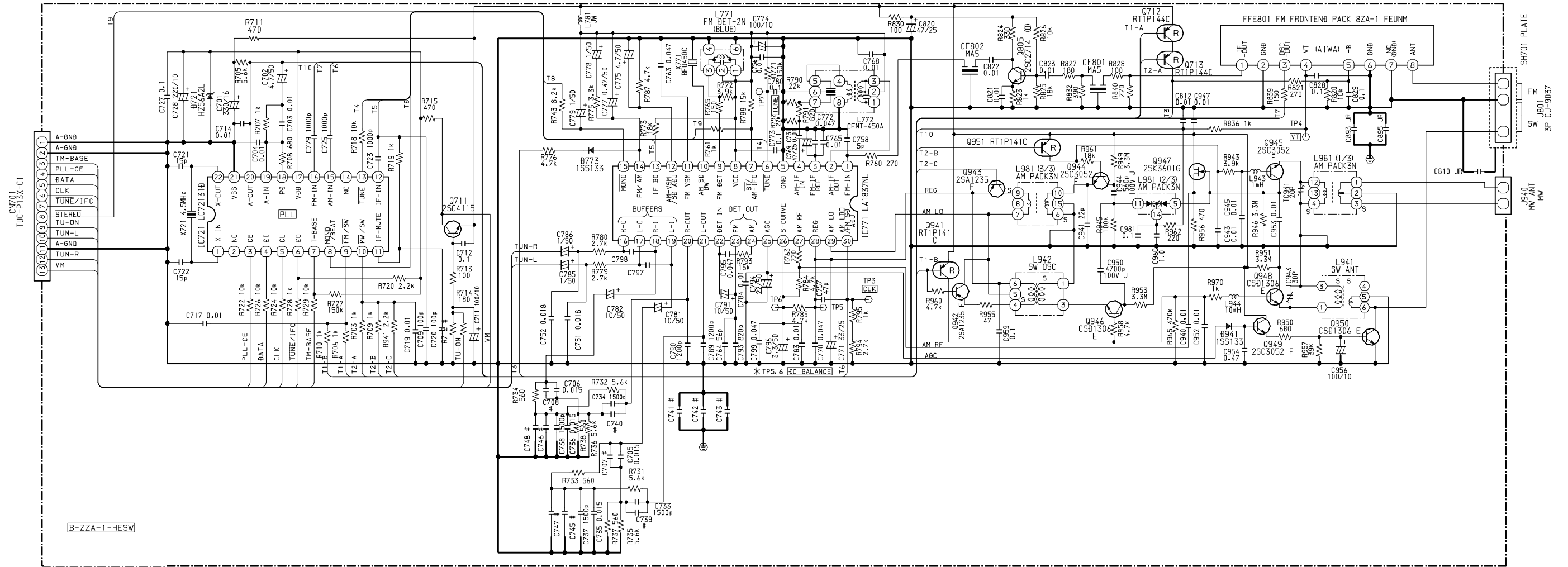
S. KURAMOTO S. KURAMOTO
(DECK)
SCHEMATIC DIAGRAM

SCHEMATIC DIAGRAM – 3 (MAIN : 3/3)

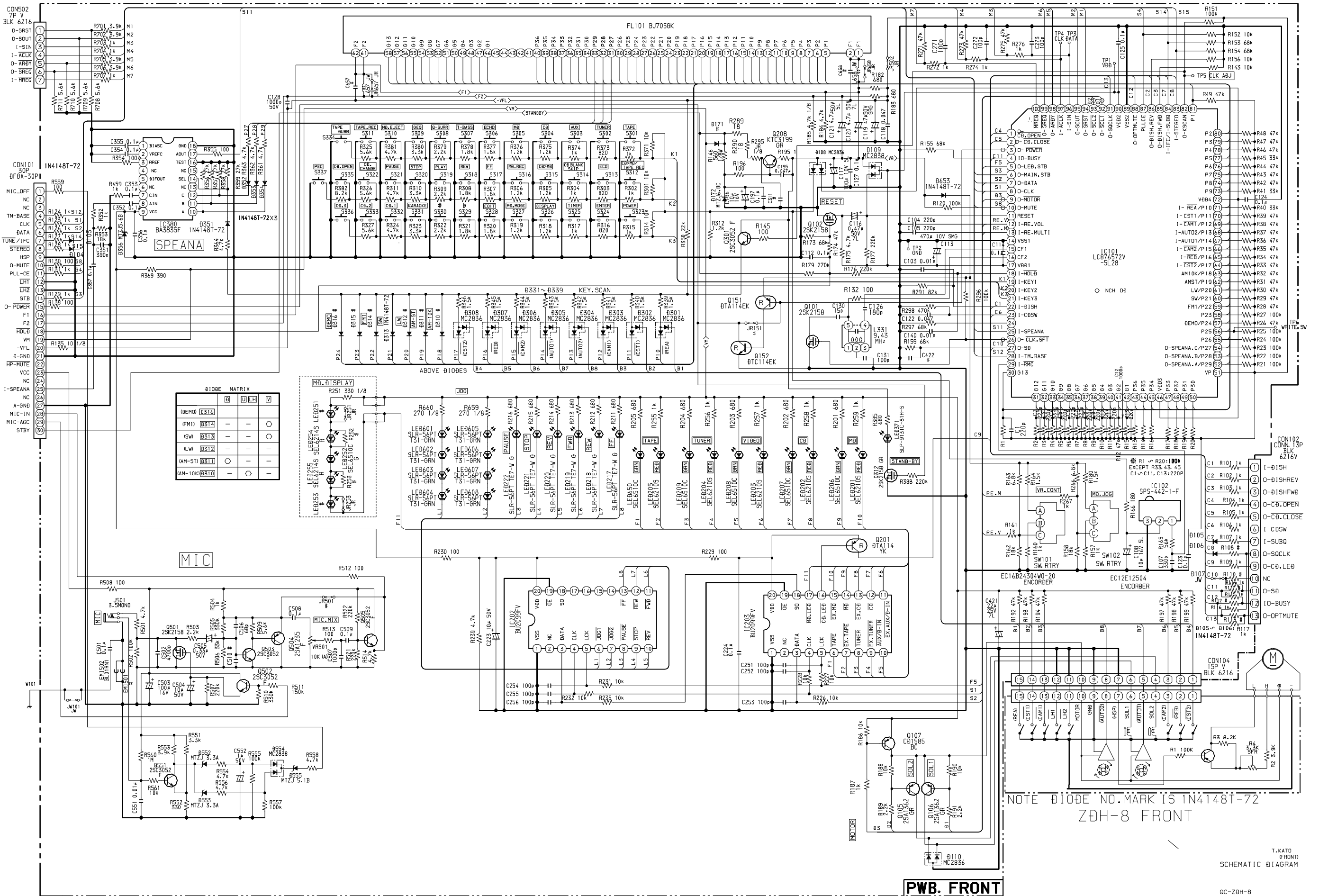


S.KURAMOTO S.KURAMOTO

SCHEMATIC DIAGRAM – 4 (TUNER: ZZA-1)



SCHEMATIC DIAGRAM - 5 (FRONT)



DIODE MATRIX

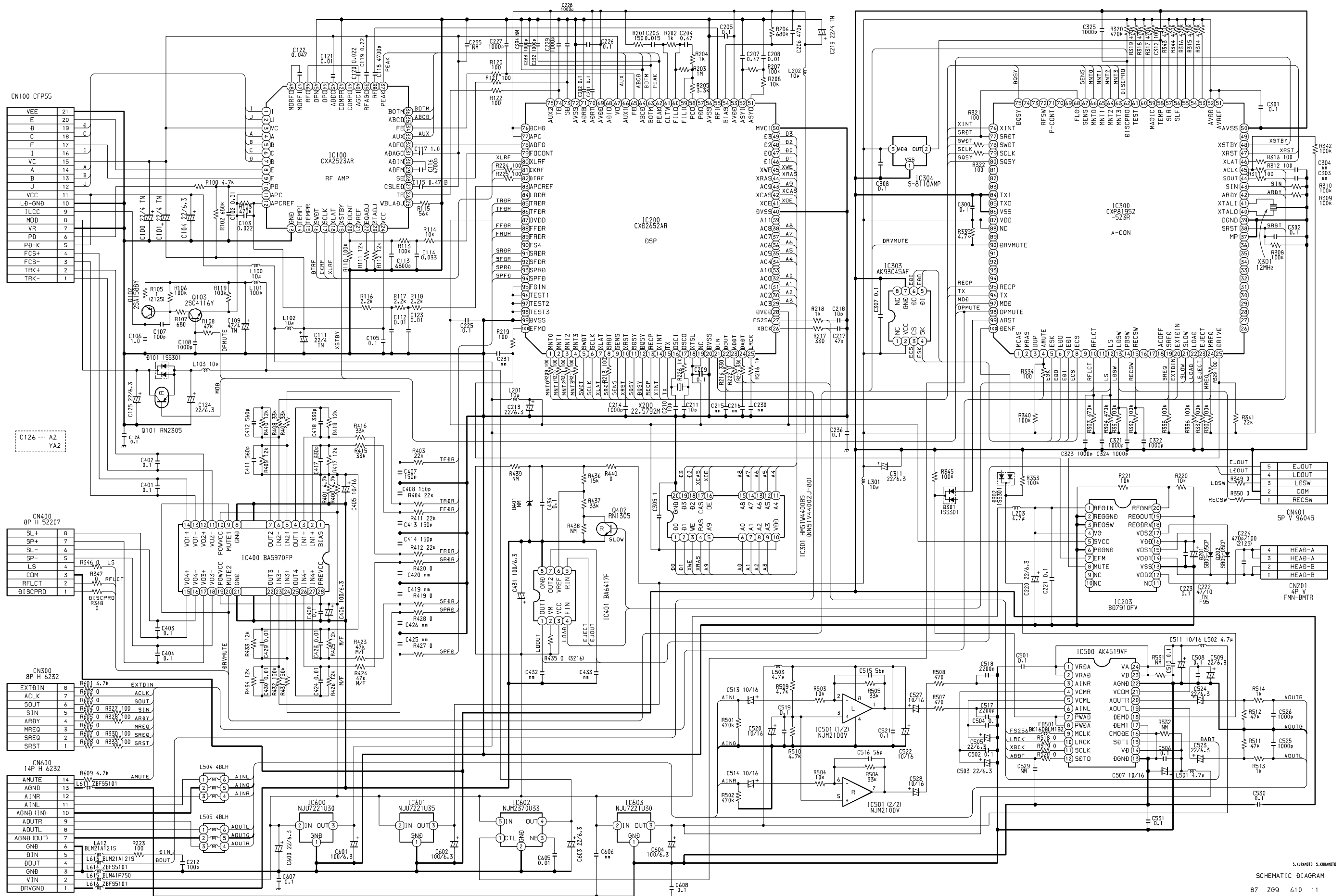
(BEMD) B314	□	□	□	□
(FM) B314	-	-	-	-
(SW) B313	-	-	-	-
(AM) B312	-	-	-	-
(AM-10K) B310	-	-	-	-

NOTE DIODE NO. MARK IS IN4148T-72
ZDH-8 FRONT

PWB. FRONT

T. KATO
FRONT
SCHEMATIC DIAGRAM

SCHEMATIC DIAGRAM - 7 (MD)



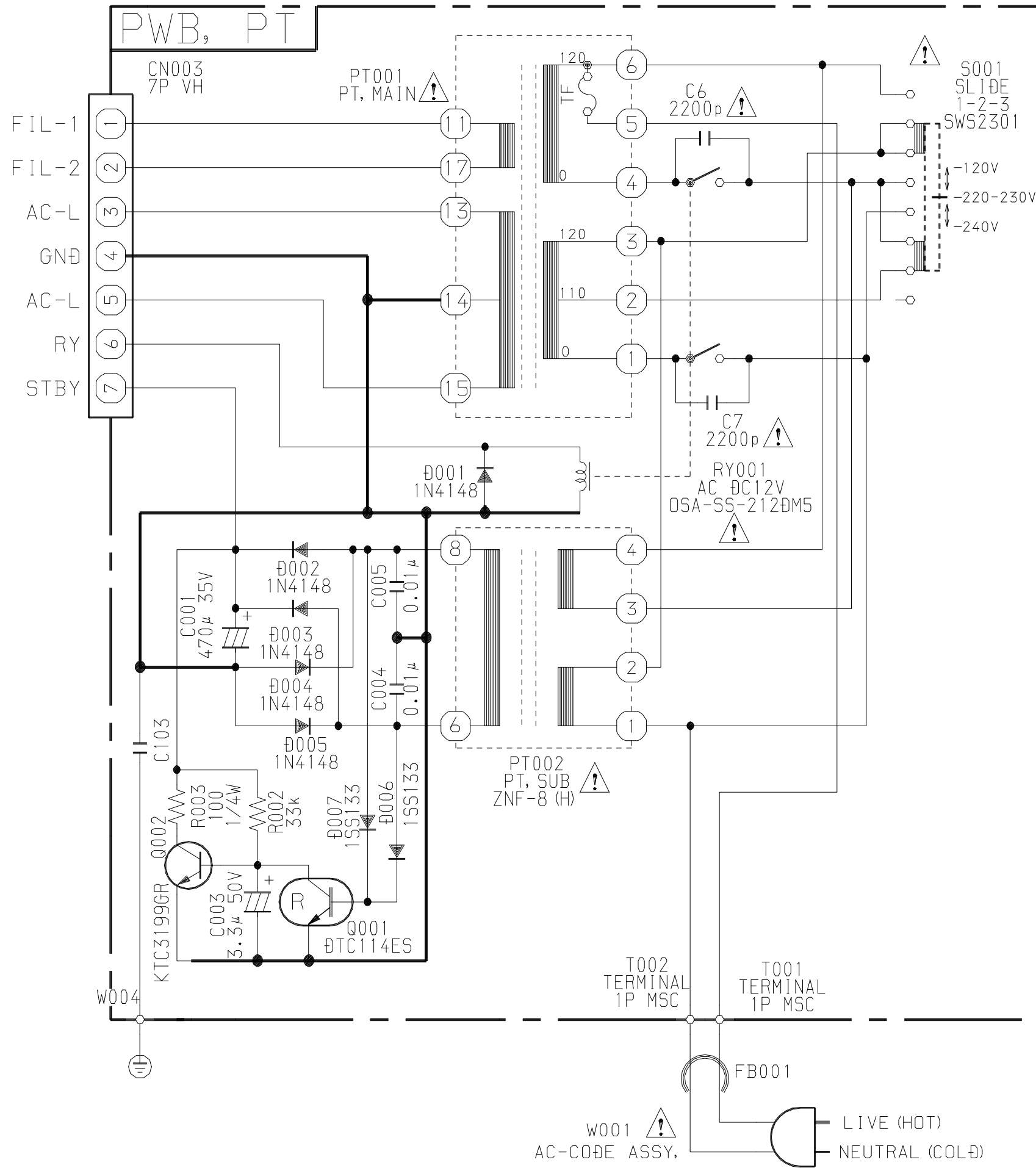
VEE	21
E	20
D	19
C	18
F	17
J	16
VC	15
A	14
B	13
J	12
VCC	11
LB-GND	10
ILCC	9
MOD	8
VR	7
PD	6
PD-K	5
FCS+	4
FCS-	3
TRK+	2
TRK-	1

SL+	8
SP+	7
SL-	6
SP-	5
LS	4
COM	3
RFCT	2
BISCPRO	1

EXTBIN	8
ACLK	7
SOUT	6
SIN	5
ARBY	4
MREQ	3
SREQ	2
SRST	1

AMUTE	14
AGND	13
A1NR	12
A1NL	11
AGND (IN)	10
ADUTR	9
ADUTL	8
AGND (OUT)	7
GND	6
BIN	5
BOUT	4
GND	3
VIN	2
BRVGN	1

SCHEMATIC DIAGRAM - 8 (PT)



T.KATO

B-ZNB-8-PT-H

ZNB-8

20 JAN 1999

サービス技術ニュース	
番号	連絡内容
G- -	
G- -	
G- -	

アイワ株式会社
AIWA CO.,LTD.

9420025

Tokyo Japan