

# aiwa



# XR-M70 XR-M75

---

COMPACT DISC STEREO SYSTEM

---

• BASIC CD MECHANISM: KSM-542 ABA

• TYPE: U

**SIMPLE MANUAL**

Replace this Service Manual with "Revision Publishing" when it is issued.

S/M Code No. 09-987-270-4T1

MANUAL  
SERVICE

# SPECIFICATIONS

## MAIN UNITS

### FM tuner section

|                          |                      |
|--------------------------|----------------------|
| Tuning range             | 87.5 MHz to 108 MHz  |
| Usable sensitivity (IHF) | 13.2 dBf             |
| Antenna terminals        | 75 ohms (unbalanced) |

### AM tuner section

|                    |   |
|--------------------|---|
| Tuning range       | 530 kHz to 1710 kHz (10 kHz step)<br>531 kHz to 1602 kHz (9 kHz step) |
| Usable sensitivity | 350 µV/m  |
| Antenna            | Loop antenna  |

### Amplifier section

|                           |   |
|---------------------------|---|
| Power output              | 16 watts per channel, Min.<br>RMS at 8 ohms, from 60 Hz to 20 kHz, with no more than 1% Total Harmonic Distortion   |
| Total harmonic distortion | 0.1 % (10 W, 1 kHz, 8 ohms, DIN AUDIO)  |
| Inputs                    | TAPE IN: 500 mV<br>AUX IN: 500 mV   |
| Outputs                   | SUPER WOOFER: 1.7 V<br>SPEAKERS: accept speakers of 8 ohms or more<br>LINE OUT: 340 mV<br>PHONES (stereo minijack): accepts headphones of 32 ohms or more |

### Compact disc player section

|                       |   |
|-----------------------|---|
| Laser                 | Semiconductor laser ( $\lambda = 780$ nm) |
| D-A converter         | 1 bit dual                                |
| Signal-to-noise ratio | 85 dB (1 kHz, 0 dB)                       |
| Harmonic distortion   | 0.05 % (1 kHz, 0 dB)                      |
| Wow and flutter       | Unmeasurable                              |

## SPEAKER SYSTEM (XR-M70)


|                             |   |
|-----------------------------|---|
| Cabinet type                | 2 way, bass reflex (magnetic shielded type)   |
| Speakers                    | Main speaker:<br>100 mm (4 inches) cone type<br>Cardioid Speaker:<br>60 mm (2 3/8 inches) cone type |
| Impedance                   | 8 ohms  |
| Output sound pressure level | 87 dB/W/m   |
| Dimensions (W x H x D)      | 144 x 202 x 185 mm<br>(5 3/4 x 8 x 7 3/8 inches)  |
| Weight                      | 1.8 kg (3 lb. 15 oz)  |

## SPEAKER SYSTEM (XR-M75)

|                             |  |
|-----------------------------|--|
| Cabinet type                | 2 way, bass reflex (magnetic shielded type)                                    |
| Speakers                    | Woofer:<br>100 mm (4 inches) cone type<br>Tweeter:<br>25 mm (1 inch) cone type |
| Impedance                   | 8 ohms   |
| Output sound pressure level | 87 dB/W/m  |
| Dimensions (W x H x D)      | 140 x 202 x 190 mm<br>(5 3/4 x 8 x 7 1/2 inches)                               |
| Weight                      | 1.9 kg (4 lb. 3 oz)  |

### General

|                        |  |
|------------------------|--|
| Power requirements     | 120 V AC, 60 Hz  |
| Power consumption      | 40 W   |
| Dimensions (W x H x D) | CD player unit<br>144 x 101.5 x 176.1 mm<br>(5 3/4 x 4 x 7 inches)<br>Tuner/amplifier unit<br>144 x 101.5 x 208 mm<br>(5 3/4 x 4 x 8 1/4 inches) |
| Weight                 | CD player unit<br>0.88 kg (1 lb. 15 oz)<br>Tuner/amplifier unit<br>2.4 kg (5 lb. 5 oz)   |

- Design and specifications are subject to change without notice.
- Dolby noise reduction manufactured under license from Dolby Laboratories Licensing Corporation. "DOLBY" and the double-D symbol  are trademarks of Dolby Laboratories Licensing Corporation.
- The word "BBE" and the "BBE symbol" are trademarks of BBE Sound, Inc. Under license from BBE Sound, Inc.

# PARTS LIST

DESCRIPTIONで判断できない物は "REFERENCE NAME LIST" を参照してください。  
 If can't understand for Description please kindly refer to "REFERENCE NAME LIST".

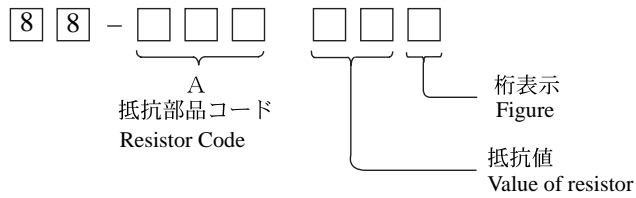
| REF. NO | PART NO.       | KANRI NO. | DESCRIPTION                | REF. NO | PART NO.       | KANRI NO. | DESCRIPTION                |
|---------|----------------|-----------|----------------------------|---------|----------------|-----------|----------------------------|
| △       | S4-000-010-000 |           | AC CONTACT TERMINAL        |         | S8-CL1-070-000 |           | CHASSIS CD                 |
|         | S0-27N-F90-000 |           | ANT, LOOP AM               |         | S8-CL1-220-000 |           | CHASSIS PANEL CONTROL      |
|         | S0-524-181-200 |           | B-B HEADER 12P             |         | S8-CL1-460-020 |           | CLAMP CABLE                |
|         | S0-524-180-800 |           | B-B HEADER 8PI             |         | 87-003-097-010 |           | COIL, 1UH                  |
|         | S0-524-180-900 |           | B-B HEADER 9PI             |         | 87-003-147-010 |           | COIL, 22UH                 |
|         | S0-532-901-200 |           | B-B RECEPTACLE 12P         |         | S0-035-341-000 |           | COIL, BEAD 100MHZ          |
|         | S0-532-900-800 |           | B-B RECEPTACLE 8P          |         | S0-055-301-200 |           | CONN, BOARD TO BOARD 12P   |
|         | S0-532-900-900 |           | B-B RECEPTACLE 9P          |         | S0-528-060-700 |           | CONN, FFC 7P               |
|         | S8-CL1-800-000 |           | BADGE AIWA                 |         | S0-528-070-700 |           | CONN, FFC 7P               |
|         | S8-CL1-620-000 |           | BELT, PULLEY AMP           |         | S0-401-400-000 |           | CONN, PIN 4P               |
|         | S8-CL1-630-000 |           | BELT, PULLEY CD 48-1.6-1.6 |         | S0-500-502-000 |           | CONN, PIN 5P               |
|         | S8-CL1-680-000 |           | BKT DISPLAY LCD            |         | S0-000-151-510 |           | CONN, SNAP-IN 15P          |
|         | S8-CL1-660-000 |           | BRACKET CORD AC            |         | S0-011-171-700 |           | CONN, SOCKET FFC 17P       |
|         | S8-CL1-240-020 |           | BRACKET FAN                | △       | S1-000-900-090 |           | COOLING FAN                |
|         | S0-408-000-030 |           | BUSHING CORD AC            |         | S1-171-201-100 |           | CORD, POWER 6.5            |
|         | 89-502-094-080 |           | C-FET, 2SK209Y             |         | S7-CD3-400-000 |           | COVER OPTICAL              |
|         | 89-111-625-080 |           | C-TR, 2SA1162GR            |         | 82-596-799-010 |           | DI, 1N4001B                |
|         | 89-327-126-080 |           | C-TR, 2SC2712GR            |         | S0-254-010-000 |           | DIODE, 1N5401BL            |
|         | 89-327-143-080 |           | C-TR, 2SC2714              |         | 82-135-799-010 |           | DIODE, IN4148              |
|         | 89-502-114-080 |           | C-TR, 2SK211-Y/GR          |         | 87-070-276-010 |           | DIODE, SE1003-C            |
|         | 87-026-230-010 |           | C-TR, DTA114YK             |         | S8-CL1-080-200 |           | DOOR, CD                   |
|         | 87-026-239-080 |           | C-TR, DTC114TK/TKA         |         | S0-904-100-000 |           | EL BACKLIGHT 114-36        |
|         | 87-026-213-010 |           | C-TR, DTC114YK             |         | 87-010-263-080 |           | ELECT CAP 100-10V          |
|         | S8-CL1-060-020 |           | CAB, BOTTOM AMP            |         | 87-010-406-080 |           | ELECT CAP 22-50V           |
|         | S8-CL1-050-020 |           | CAB, BOTTOM CD             |         | 87-010-248-080 |           | ELECT CAP 220-10V          |
|         | S8-CL1-040-200 |           | CAB, TOP AMP(B)            |         | S1-78C-L12-000 |           | FC CONN-PLUG SMK 17P       |
|         | S8-CLB-030-100 |           | CAB, TOP CD                |         | S0-701-801-000 |           | FFC CABLE 7P 180MM         |
|         | S0-871-300-200 |           | CABLE HOLDER 2P            |         | S0-702-501-000 |           | FFC CABLE 7P 250MM         |
|         | S0-871-300-400 |           | CABLE HOLDER 4P            |         | S0-37N-F90-100 |           | FM FEEDER-ANT/PE TWIN WIRE |
|         | S0-871-300-500 |           | CABLE HOLDER 5P            |         | S8-CL1-640-000 |           | FOOT, RUBBER 10-10-3       |
|         | S0-871-300-700 |           | CABLE HOLDER 7P            | △       | S7-900-000-000 |           | FUSE HOLDER                |
|         | 87-010-545-010 |           | CAP, E 0.22-50V            | △       | S0-125-200-050 |           | FUSE, 1.25A/250V           |
|         | 87-010-546-080 |           | CAP, E 0.33-50V            | △       | S0-250-100-010 |           | FUSE, 2.5A 125V            |
|         | 87-010-053-810 |           | CAP, E 1-50V               |         | 87-081-438-010 |           | FW, 3-6-0.4                |
|         | 87-010-071-040 |           | CAP, E 1-50V               |         | 87-078-044-010 |           | FW, 3.2-8-1                |
|         | 87-010-401-010 |           | CAP, E 1-50V               |         | S8-CL1-150-000 |           | GEAR, DOOR CD              |
|         | 87-010-494-010 |           | CAP, E 1-50V               |         | S8-CL1-160-000 |           | GEAR, DOOR CD              |
|         | 87-010-075-040 |           | CAP, E 10-16V              |         | S8-CL1-170-000 |           | GEAR, DOOR CD              |
|         | 87-010-037-010 |           | CAP, E 10-50V              |         | S8-CL1-180-000 |           | GEAR, DOOR CD              |
|         | 87-010-112-010 |           | CAP, E 100-16V             |         | S8-CL1-420-000 |           | GEAR, TRAY                 |
|         | 87-A10-818-040 |           | CAP, E 100-16V             |         | S2-001-WR0-700 |           | HEADER 7P                  |
|         | 87-010-045-010 |           | CAP, E 100-25V             |         | S0-000-020-210 |           | HEADER JST 2P              |
|         | 87-010-393-010 |           | CAP, E 100-35V             |         | S0-000-020-230 |           | HEADER JST 2P(BLU)         |
|         | 87-010-047-010 |           | CAP, E 100-50V             |         | S0-000-020-220 |           | HEADER JST 2P(RED)         |
|         | 87-010-079-010 |           | CAP, E 100-6.3V            |         | S0-532-650-200 |           | HEADER MOLEX 2P            |
|         | 87-010-237-010 |           | CAP, E 1000-16V            |         | S0-052-670-500 |           | HEADER MOLEX 5P            |
|         | 87-010-388-010 |           | CAP, E 1000-25V            |         | S0-510-161-700 |           | HOLDER CABLE 17P 1.5MM     |
|         | 87-010-035-010 |           | CAP, E 2.2-50V             |         | S7-CD3-390-000 |           | HOLDER OPTICAL             |
|         | 87-015-716-010 |           | CAP, E 22-16V              |         | S8-CL1-450-000 |           | HOLDER REMOTE SENSOR       |
|         | 87-010-038-010 |           | CAP, E 22-25V              |         | S0-035-183-500 |           | HP, JACK ST 3.5MM          |
|         | 87-A10-189-080 |           | CAP, E 220-10V             |         | S0-58C-L12-500 |           | HSG, 170MM                 |
|         | 87-015-975-010 |           | CAP, E 220-6.3V            |         | S0-38C-L13-500 |           | HSG, 195MM(RED)            |
|         | 87-010-398-090 |           | CAP, E 2200-35V            |         | S0-201-700-010 |           | HSG, 2P                    |
|         | 87-010-403-010 |           | CAP, E 3.3-50V             |         | S0-78C-L12-000 |           | HSG, JST 200MM             |
|         | 87-010-399-090 |           | CAP, E 3300-35V            |         | S0-48C-L12-000 |           | HSG, JST 250MM SHIELD      |
|         | 87-010-234-070 |           | CAP, E 4-16V               |         | S0-28C-L11-500 |           | HSG, JST 70MM              |
|         | 87-010-074-080 |           | CAP, E 4.7-35V             |         | S0-28C-L11-510 |           | HSG, JST 70MM              |
|         | 87-010-404-010 |           | CAP, E 4.7-50V             |         | S0-28C-L12-000 |           | HSG, JST PHR 50MM          |
|         | 87-010-380-010 |           | CAP, E 47-16V              |         | S0-38C-LB2-000 |           | HSG, WIRE SHIELD 150MM     |
|         | 87-010-549-010 |           | CAP, E 47-6.3V             |         | 87-A20-056-010 |           | IC, BA3880S                |
|         | 87-010-221-010 |           | CAP, E 470-10V             |         | 87-001-607-080 |           | IC, BA4558F-E2             |
|         | 87-010-249-010 |           | CAP, E 470-16V             |         | S4-038-540-000 |           | IC, BH3854AFS              |
|         | 87-010-782-010 |           | CAP, E 47000-5.5V          |         | 87-017-726-080 |           | IC, BU4052BCF              |
|         | S8-CL1-430-000 |           | CENTER GEAR TRAY           |         | S3-351-840-000 |           | IC, KS51840-C7D            |
|         | S0-001-070-010 |           | CER, FILTER                |         | 87-022-899-010 |           | IC, STR4122MK2             |
|         | S0-016-930-000 |           | CER, RESO                  |         | S8-320-570-000 |           | IC, TA2057N                |
|         | S0-008-000-000 |           | CER, RESO 8 MHZ            |         | 87-070-134-010 |           | IC, TA2065F                |
|         | 87-008-246-010 |           | CER, RESO CSB455EB         |         | 87-A20-157-010 |           | IC, TA2092N                |
|         | S6-004-560-050 |           | CER, RESO CSB456F29        |         | 87-001-982-010 |           | IC, TA7291S                |
|         | S6-010-700-010 |           | CER, RESO7MG43-A           |         | 87-070-101-010 |           | IC, TC9284AF               |

| REF. NO | PART NO.       | KANRI NO. | DESCRIPTION                  | REF. NO | PART NO.       | KANRI NO. | DESCRIPTION                 |
|---------|----------------|-----------|------------------------------|---------|----------------|-----------|-----------------------------|
|         | S9-187-230-010 |           | IC,TMP87CM23F-2336           |         | 87-255-169-410 |           | SCREW,4-6                   |
|         | S9-187-400-020 |           | IC,TMP87CM40AF-4A78          |         | 87-251-092-410 |           | SCREW,M3-4                  |
|         | S8-492-570-000 |           | IC0-C9257F                   |         | 87-261-094-410 |           | SCREW,M3-6                  |
|         | S7-NF8-020-240 |           | IFT,AM PACK 4 455BFR-121     |         | 87-268-508-310 |           | SCREW,ST1.4-3.5             |
|         | 87-A90-245-010 |           | IFT,CFAZH-450                |         | 87-067-911-010 |           | SCREW,ST1.7-10              |
|         | 87-005-696-080 |           | INDUCTOR,100UH               |         | 87-353-533-310 |           | SCREW,ST1.7-5               |
|         | 87-005-196-080 |           | INDUCTOR,10UH                |         | 87-B10-026-010 |           | SCREW,ST1.7-8               |
|         | 87-003-098-080 |           | INDUCTOR,2.2UH               |         | 87-353-034-210 |           | SCREW,ST2-5                 |
|         | S8-CLB-910-110 |           | INSTRUCTION BOOK<75U>        |         | 87-342-036-210 |           | SCREW,ST2-8                 |
|         | S8-CLB-910-210 |           | INSTRUCTION BOOK(M70US)<70U> |         | 87-261-075-010 |           | SCREW,ST2.6-10MM BB         |
|         | S0-202-130-000 |           | JACK,PIN 3P                  |         | 87-342-076-010 |           | SCREW,ST2.6-12MM PAB        |
|         | S0-202-460-010 |           | JACK,PIN 3Px2                |         | 87-743-073-410 |           | SCREW,ST2.6-6               |
|         | S8-CL1-230-010 |           | KEY, JOG GREY                |         | 87-743-074-410 |           | SCREW,ST2.6-8               |
|         | S8-CL1-560-100 |           | KEY,RUBBER(A)                |         | 87-261-074-010 |           | SCREW,ST2.6-8MM BB          |
|         | S8-CL1-570-100 |           | KEY,RUBBER(B)                |         | 87-352-097-210 |           | SCREW,ST3-12                |
|         | S8-CL1-370-100 |           | KEY,SET-CD(GRY)              |         | 87-741-097-410 |           | SCREW,ST3-12                |
|         | S8-CL1-380-100 |           | KEY,SET-F.F                  |         | 87-078-157-010 |           | SCREW,ST3-16                |
|         | S8-CL1-390-010 |           | KEY,SET-FUNCTION             |         | 87-251-094-410 |           | SCREW,ST3-6                 |
|         | S8-CL1-350-010 |           | KEY,SOUND                    |         | 87-352-095-010 |           | SCREW,ST3-8                 |
|         | S8-CL1-120-010 |           | KNOB,EJECT CD(GRY)           |         | 87-024-176-080 |           | SFR,100K                    |
|         | S8-CL1-100-200 |           | KNOB,PLAY SET(B)             |         | S1-030-850-000 |           | SFR,10K                     |
|         | S8-CL1-400-010 |           | KNOB,POWER(GRY)              |         | 87-024-171-080 |           | SFR,5K                      |
|         | S8-CL1-110-100 |           | KNOB,SKIP                    |         | S8-CL1-720-000 |           | SPACER DOOR CD(A)           |
|         | S0-041-510-000 |           | LCD,DISPLAY                  |         | S0-401-540-000 |           | SPKR,TERMINAL 4P            |
|         | 87-A40-123-010 |           | LED,SLZ-8128A-01-B           |         | S0-000-020-000 |           | SW,MICRO MQS-2              |
|         | S8-CL1-510-100 |           | LENS,COVER TOP               |         | S0-000-010-010 |           | SW,MIRCO MLS-1              |
|         | S8-CL1-190-100 |           | LENS,DISPLAY                 |         | SK-HH9-130-000 |           | SW,PB(CSDSR510,515)         |
|         | S8-CL1-520-000 |           | LENS,REMOTE                  |         | SK-HH9-010-000 |           | SW,TACT KSM0612A            |
|         | S8-CL1-480-000 |           | LENS,SENSOR REMOTE           |         | S2-054-100-010 |           | THERMISTOR T5D410K45JBPDA-0 |
|         | S1-215-370-000 |           | MOTOR RF-370CA-15370 12V     |         | 89-213-702-010 |           | TR,2SB1370E                 |
|         | S0-611-190-000 |           | MOTOR,FF-050SH-11190         |         | 87-026-200-080 |           | TR,DTC114ES                 |
|         | S8-CL1-200-020 |           | PANEL CONTROL TOP            |         | S7-805-000-020 |           | TR,PE8050B,C,D              |
|         | S8-CL1-020-020 |           | PANEL FRONT AMP(GRY)         |         | S7-855-000-020 |           | TR,PE8550B,C                |
|         | S8-CLB-040-000 |           | PANEL FRONT CD               |         | S8-CL1-210-000 |           | TRAY,PANEL CONTROL          |
|         | S8-CLB-010-100 |           | PLATE COVER FRONT CD<70U>    |         | A8-8ZA-191-030 |           | TUNER FM 8ZA-1              |
|         | S8-CLB-010-200 |           | PLATE COVER FRONT CD<75U>    |         | S8-CL1-090-000 |           | WINDOW,CD                   |
|         | S8-CLB-710-100 |           | PLATE PANEL CONTROL          |         | S6-072-000-000 |           | X'TAL 7.2 MHZ               |
|         | S8-CLB-760-100 |           | PLATE PANEL FRONT AMP        |         | S3-327-683-000 |           | X'TAL,32.768 KHZ            |
|         | S8-RU5-190-000 |           | PLATE,CONTACT                |         | S3-327-680-000 |           | X,TAL 32.768KHZ             |
|         | S5-166-360-200 |           | POWER TF EI-66/36 120V       |         | 87-020-511-010 |           | ZENER,05AZ4.7V              |
|         | S1-667-260-000 |           | PT,EL EI-16                  |         | S0-100-221-200 |           | ZENER,2.2V                  |
|         | S8-CL1-410-000 |           | PULLEY MOTOR TRAY            |         | 87-070-136-080 |           | ZENER,5.1V                  |
|         | S0-006-380-000 |           | RC,PHOTO RECEIVER            |         | S0-100-560-000 |           | ZENER,5.6V                  |
|         | 0              |           | RC,RC-M70(EX)                |         | S0-100-680-010 |           | ZENER,6.8V MTZJ6.8B         |
|         | S2-291-030-000 |           | RES,NETWORK EXB-Z9E103J      |         | S0-100-821-200 |           | ZENER,8.2V,1/2W             |
|         | SH-132-032-000 |           | ROTARY ENCODER               |         | S3-MTZ-J91-BM0 |           | ZENER,9.1V                  |
|         | 87-253-095-410 |           | SCREW 3-8                    |         | 87-027-513-010 |           | ZENER,IN5232B 5.6V1/2W      |
|         | 87-357-036-010 |           | SCREW ST 2-8                 |         |                |           |                             |
|         | 87-751-096-410 |           | SCREW,3-10                   |         |                |           |                             |
|         | 87-741-096-010 |           | SCREW,3-10MM PM              |         |                |           |                             |

- Regarding connectors, they are not stocked as they are not the initial order items.  
The connectors are available after they are supplied from connector manufacturers upon the order is received.

○ チップ抵抗部品コード / CHIP RESISTOR PART CODE

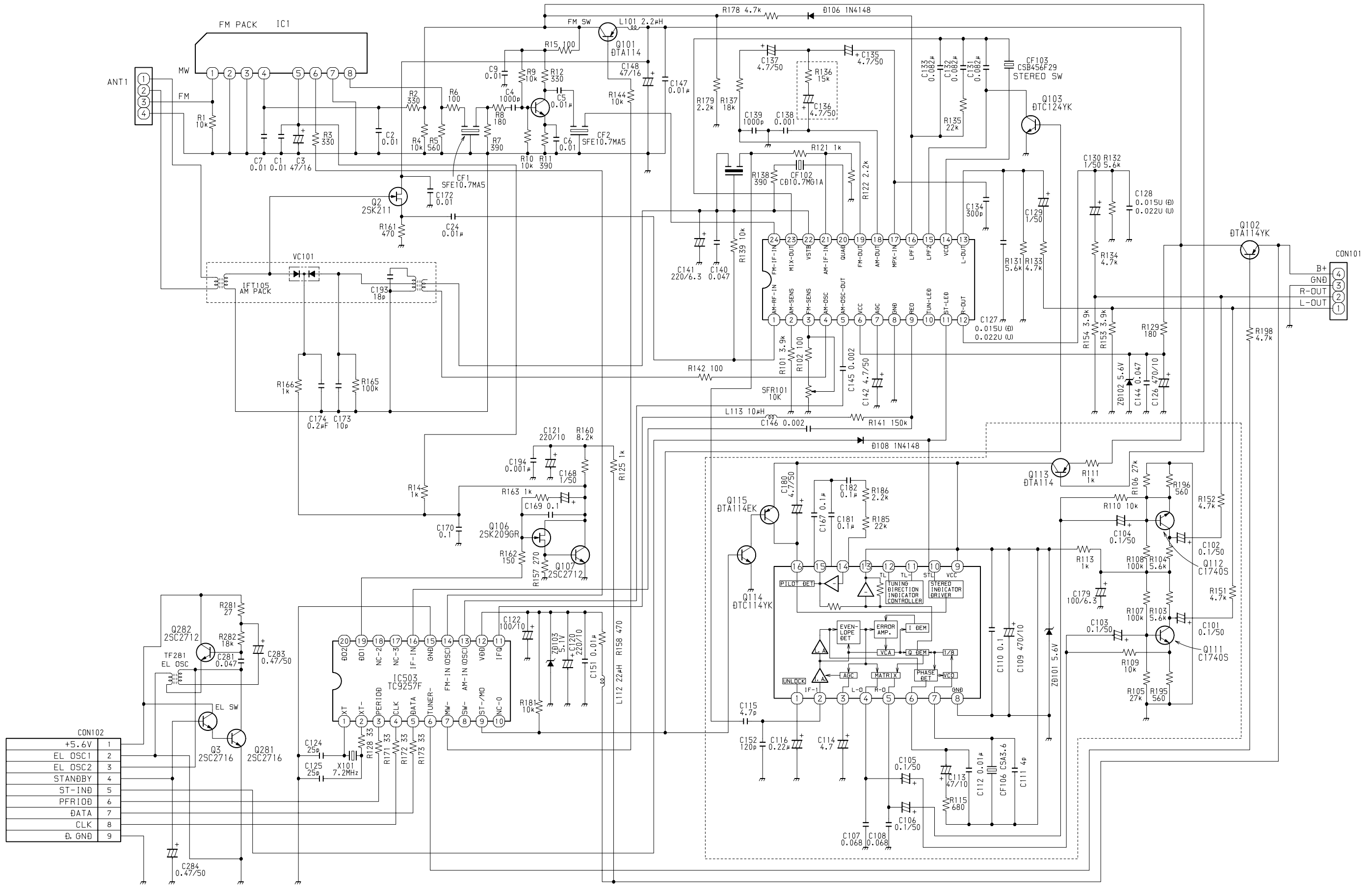
チップ抵抗部品コードの成り立ち  
Chip Resistor Part Coding



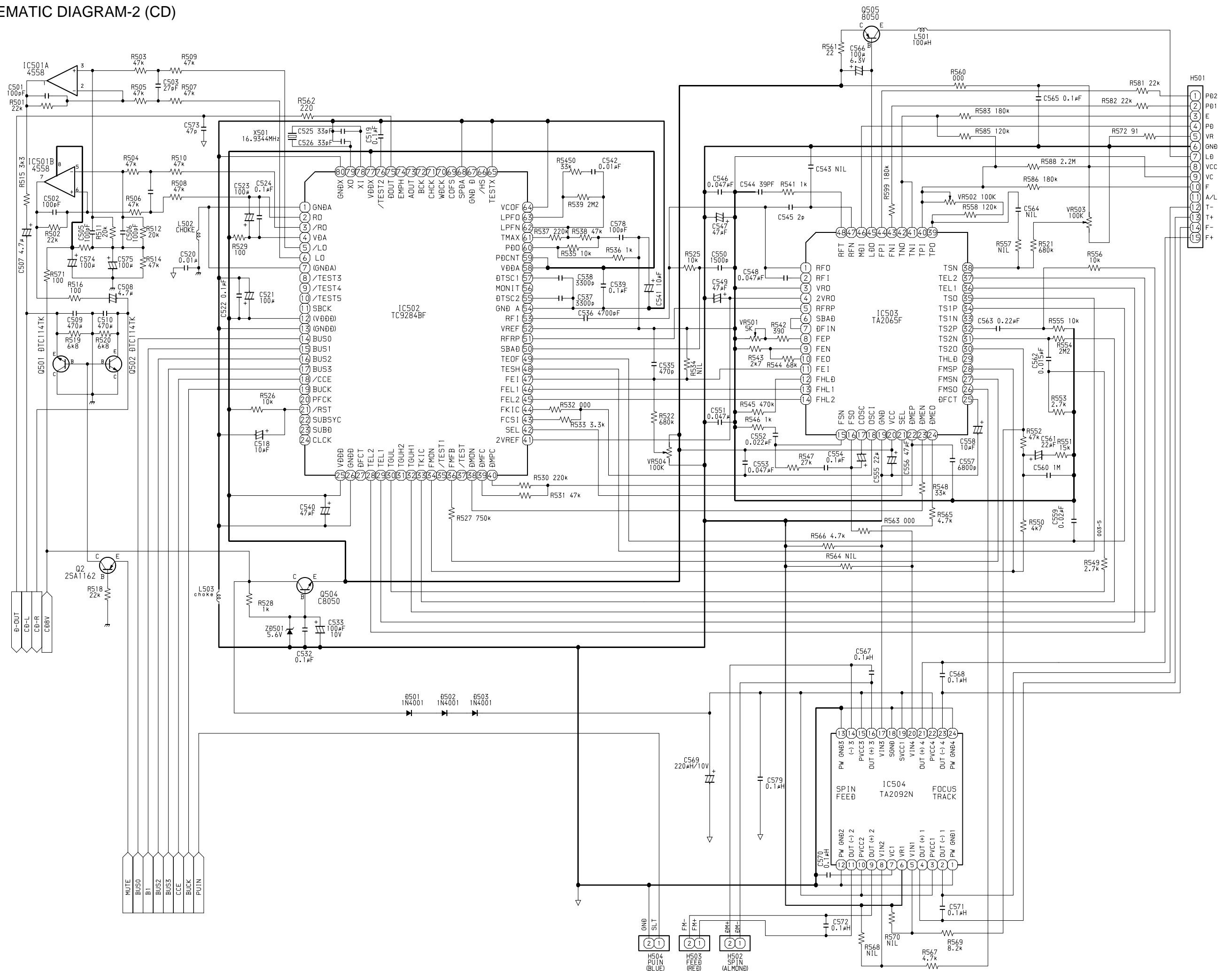
チップ抵抗  
Chip resistor

| 容量<br>Wattage | 種類<br>Type | 許容誤差<br>Tolerance | 記号<br>Symbol | 寸法 / Dimensions (mm) |     |      | 抵抗コード : A<br>Resistor Code : A |     |
|---------------|------------|-------------------|--------------|----------------------|-----|------|--------------------------------|-----|
|               |            |                   |              | 外形 / Form            | L   | W    |                                | t   |
| 1/16W         | 1608       | 5%                | CJ           |                      | 1.6 | 0.8  | 0.45                           | 108 |
| 1/10W         | 2125       | 5%                | CJ           |                      | 2   | 1.25 | 0.45                           | 118 |
| 1/8W          | 3216       | 5%                | CJ           |                      | 3.2 | 1.6  | 0.55                           | 128 |

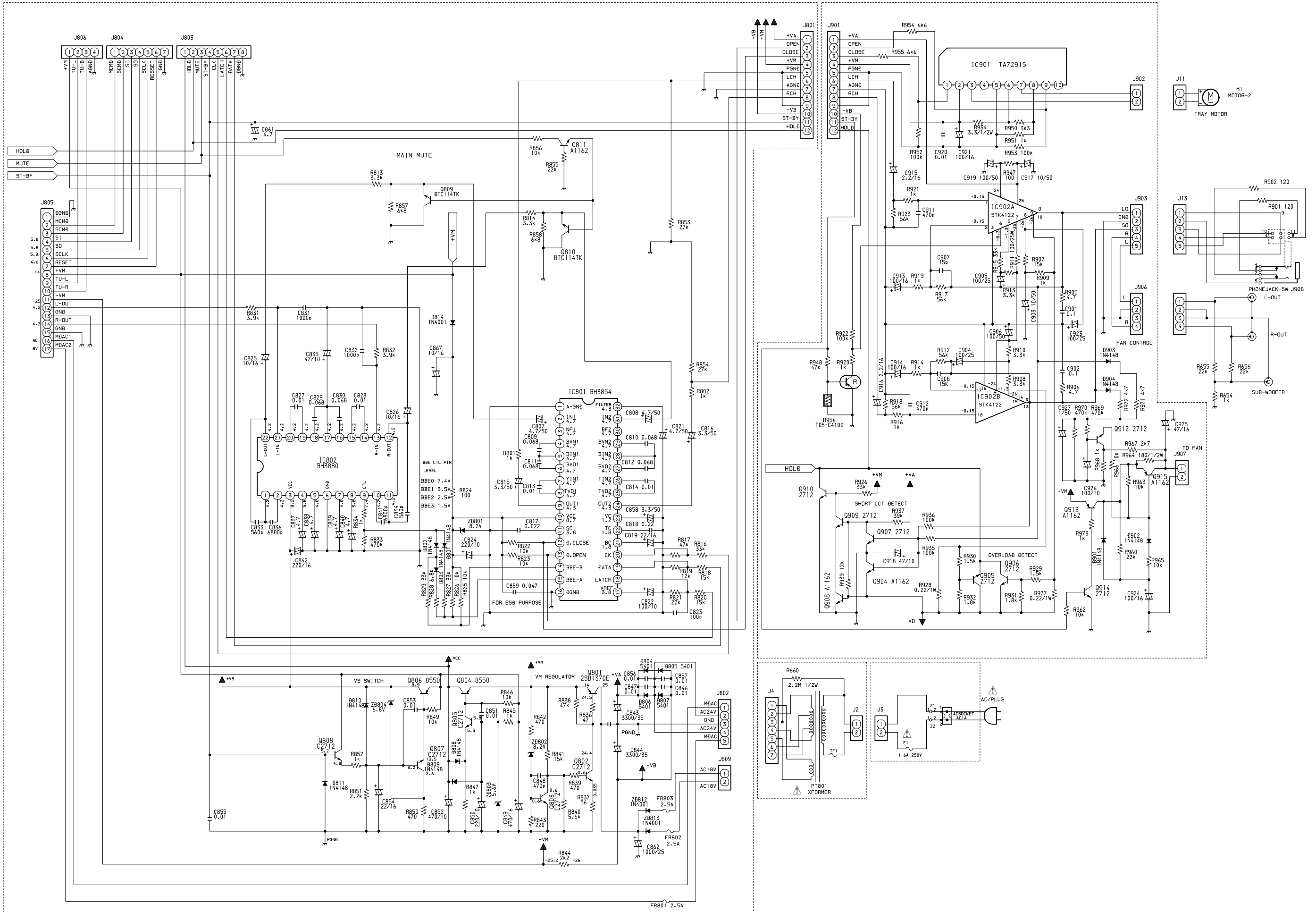
SCHEMATIC DIAGRAM-1 (TUNER)



SCHEMATIC DIAGRAM-2 (CD)



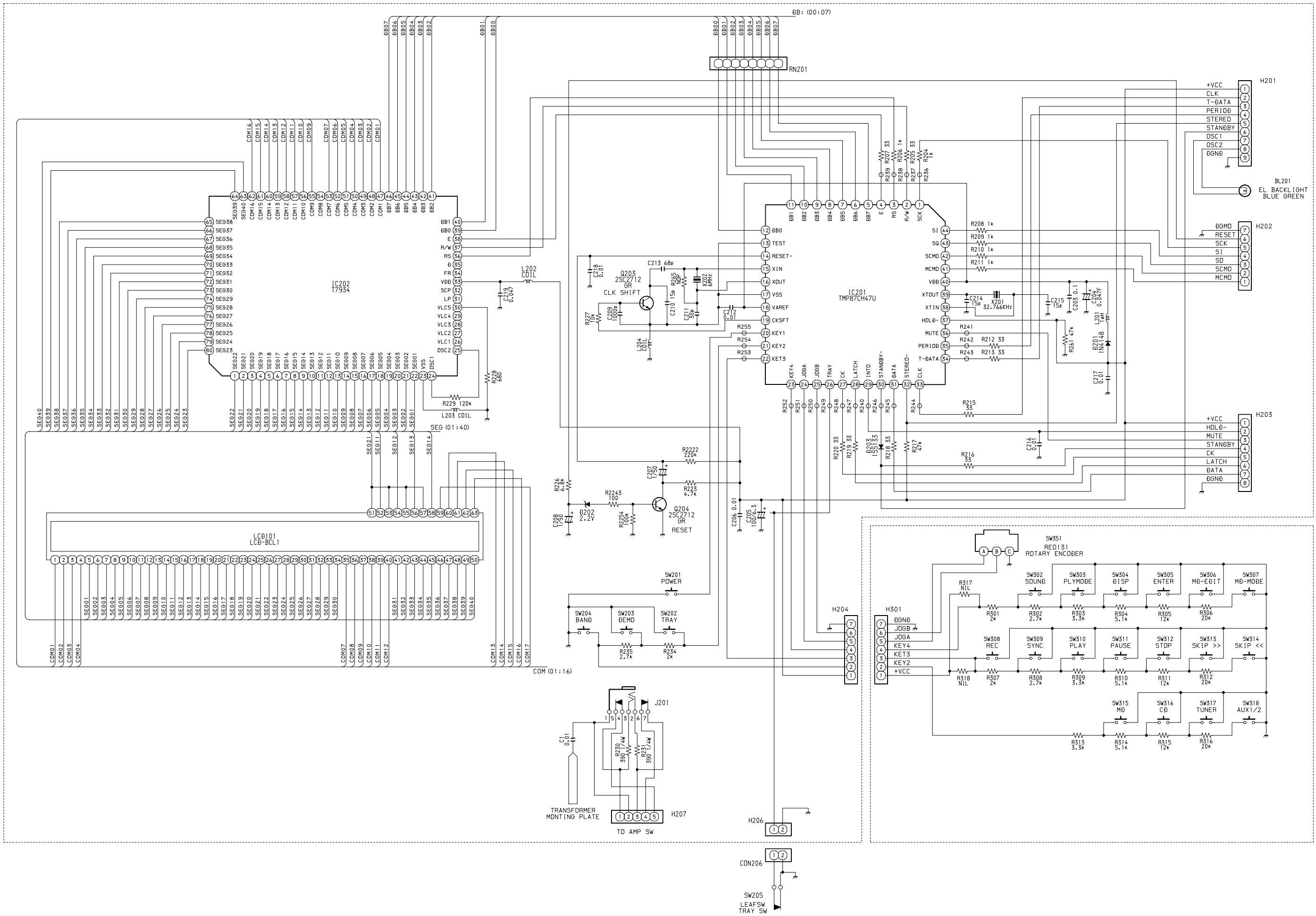
SCHEMATIC DIAGRAM-3 (AUDIO/POWER)



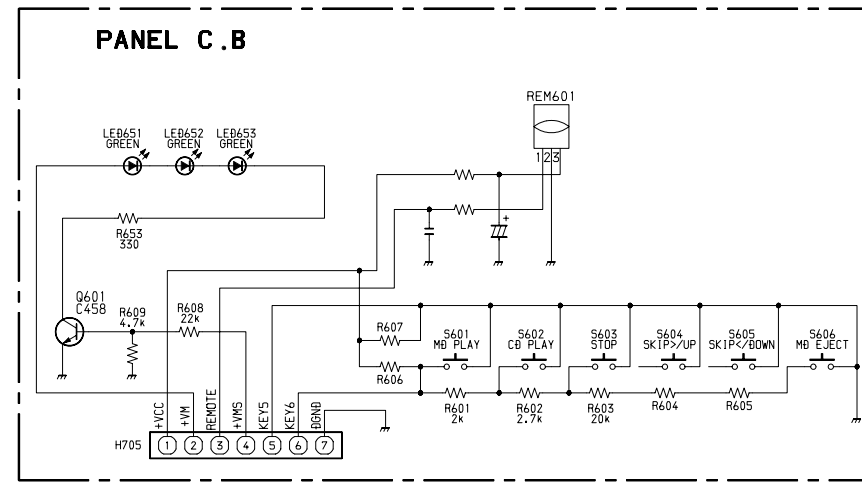
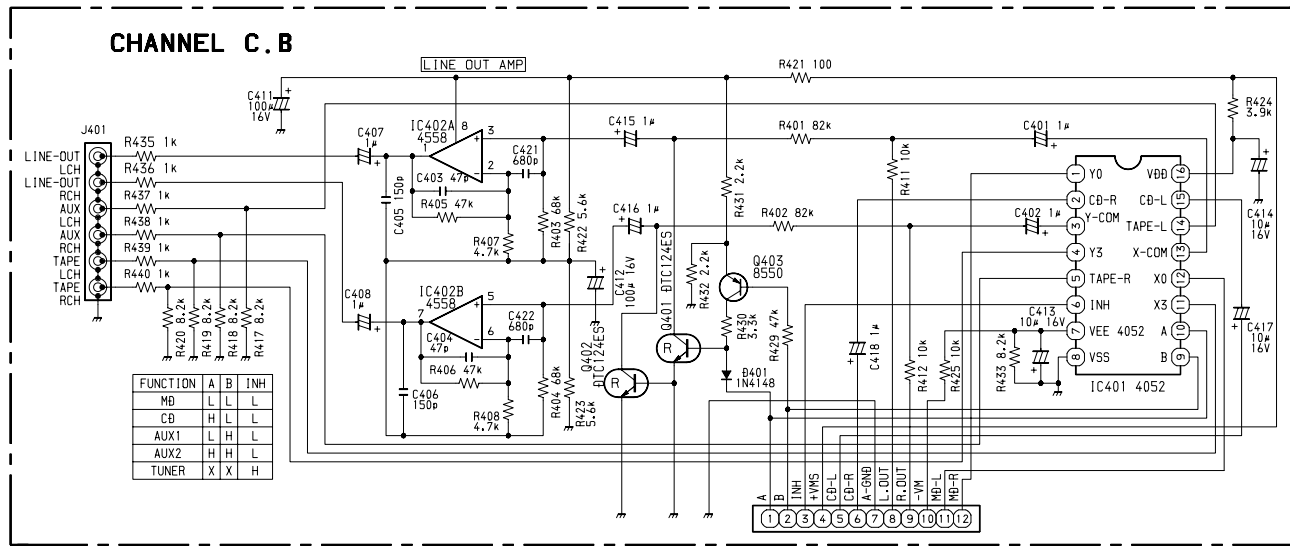


SCHEMATIC DIAGRAM-4 (DISPLAY)

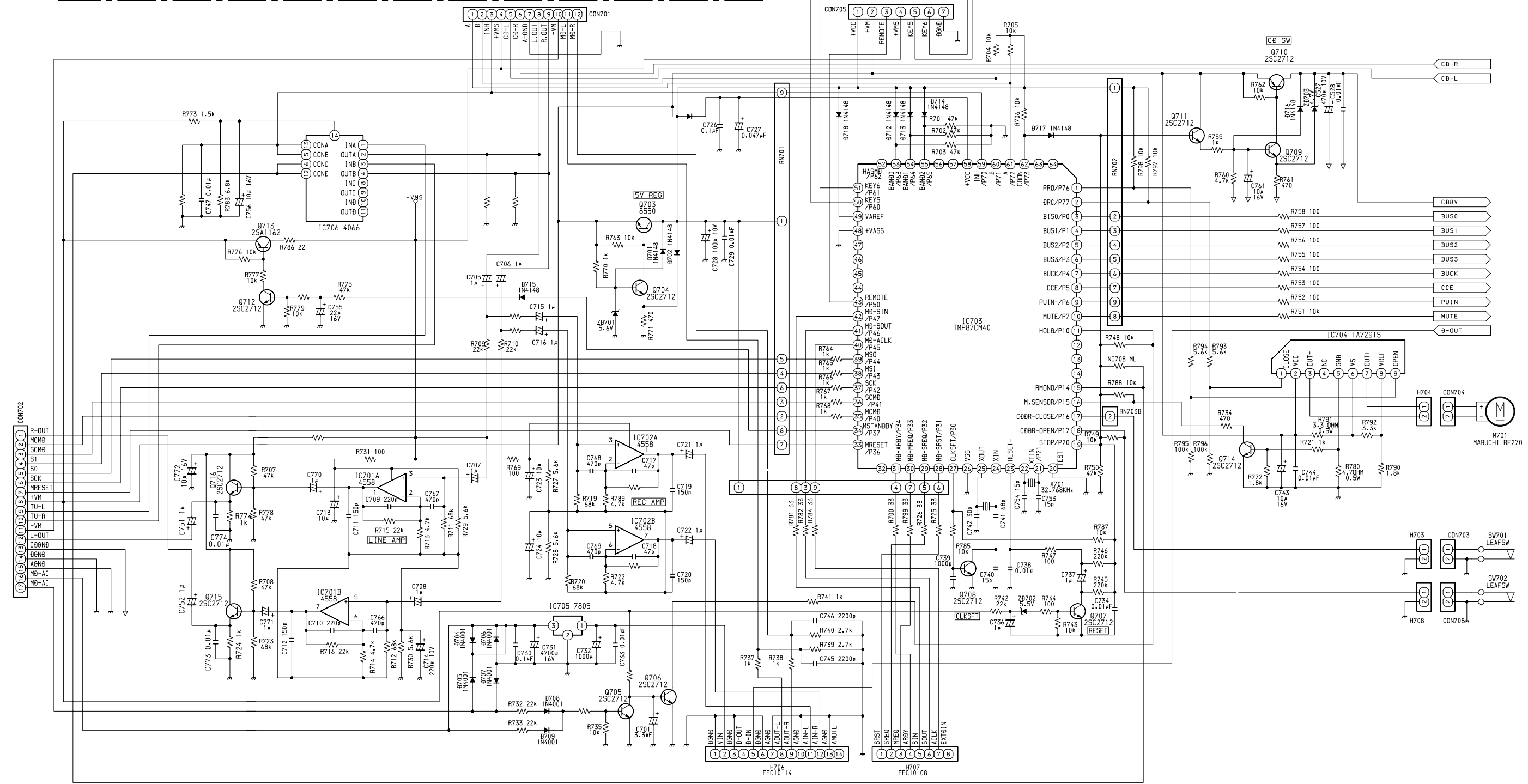
○ =PULL-UP



SCHEMATIC DIAGRAM-5 (MECHA CONTROL)



| VERSION       | B714 | B713 | B712 |
|---------------|------|------|------|
| FM/AM (U)     | 0    | 0    | 0    |
| FM/MW/SW      | 0    | X    | 0    |
| FM/MW/LW      | X    | 0    | 0    |
| FM1/FM2/MW/LW | X    | X    | 0    |
| FM/MW/LW      | 0    | 0    | X    |
| FM/AM STEREO  | X    | 0    | X    |
| FM/AM         | X    | X    | X    |



# REFERENCE NAME LIST

## ELECTRICAL SECTION

| DESCRIPTION | REFERENCE NAME     |
|-------------|--------------------|
| ANT         | ANTENNAS           |
| C-          | CHIP               |
| C-CAP       | CAP, CHIP          |
| C-CAP TN    | CAP, CHIP TANTALUM |
| C-COIL      | COIL, CHIP         |
| C-DI        | DIODE, CHIP        |
| C-DIODE     | DIODE, CHIP        |
| C-FET       | FET, CHIP          |
| C-FOTR      | FILTER, CHIP       |
| C-JACK      | JACK, CHIP         |
| C-LED       | LED, CHIP          |
| C-RES       | RES, CHIP          |
| C-SFR       | SFR, CHIP          |
| C-SLIDE SW  | SLIDE SWITCH, CHIP |
| C-SW        | SWITCH, CHIP       |
| C-TR        | TRANSISTOR, CHIP   |
| C-VR        | VOLUME, CHIP       |
| C-ZENER     | ZENER, CHIP        |
| CAP, CER    | CAP, CERA-SOL      |
| CAP, E      | CAP, ELECT         |
| CAP, M/F    | CAP, FILM          |
| CAP, TC     | CAP, CERA-SOL      |
| CAP, TC-U   | CAP, CERA-SOL SS   |
| CAP, TN     | CAP, TANTALUM      |
| CERA FIL    | FILTER, CERAMIC    |
| CF          | FILTER, CERAMIC    |
| DL          | DELAY LINE         |
| E/CAP       | CAP, ELECT         |
| FILT        | FILTER             |
| FLTR        | FILTER             |
| FUSE RES    | RES, FUSE          |
| MOT         | MOTOR              |
| P-DIODE     | PHOTO DIODE        |
| P-SNSR      | PHOTO SENSER       |
| P-TR        | PHOTO TRANSISTOR   |
| POLY VARI   | VARIABLE CAPACITOR |
| PPCAP       | CAP, PP            |
| PT          | POWER TRANSFORMER  |
| PTR, RES    | PTR, MELF          |
| RC          | REMOTE CONTROLLER  |
| RES NF      | RES, NON-FLAMMABLE |
| RESO        | RESONATOR          |
| SHLD        | SHIELD             |
| SOL         | SOLENOID           |
| SPKR        | SPEAKER            |
| SW, LVR     | SWITCH, LEVER      |
| SW, RTRY    | SWITCH, ROTARY     |
| SW, SL      | SWITCH, SLIDE      |
| TC CAP      | CAP, CERA-SOL      |
| THMS        | THERMISTOR         |
| TR          | TRANSISTOR         |
| TRIMMER     | CAP, TRIMMER       |
| TUN-CAP     | VARIABLE CAPACITOR |
| VIB, CER    | RESONATOR, CERAMIC |
| VIB, XTAL   | RESONATOR, CRYSTAL |
| VR          | VOLUME             |
| ZENER       | DIODE, ZENER       |

## MECHANICAL SECTION

| DESCRIPTION    | REFERENCE NAME      |
|----------------|---------------------|
| ADHESHIVE      | SHEET ADHESHIVE     |
| AZ             | AZIMUTH             |
| BAR-ANT        | BAR-ANTENNA         |
| BAT            | BATTERY             |
| BATT           | BATTERY             |
| BRG            | BEARING             |
| BTN            | BUTTON              |
| CAB            | CABINET             |
| CASS           | CASSETTE            |
| CHAS           | CHASSIS             |
| CLR            | COLLAR              |
| CONT           | CONTROL             |
| CRSR           | CURSOR              |
| CU             | CUSHION             |
| CUSH           | CUSHION             |
| DIR            | DIRECTION           |
| DUBB           | DUBBING             |
| FL             | FRONT LOADING       |
| FLY-WHL        | FLYWHEEL            |
| FR             | FRONT               |
| FUN            | FUNCTION            |
| G-CU           | G-CUSHION           |
| HDL            | HANDOL              |
| HIMERON        | CLOTH               |
| HINGE, BAT     | HINGE, BATTERY      |
| HLDR           | HOLDER              |
| HT-SINK        | HEAT SINK           |
| IB             | INSTRUCTION BOOKLET |
| IDLE           | IDLER               |
| IND, L-R       | INDICATOR, L-R      |
| KEY, CONT      | KEY, CONTROL        |
| KEY, PRGM      | KEY, PROGRAM        |
| KNOB, SL       | KNOB, SLIDE         |
| LBL            | LABEL               |
| LID, BATT      | LID, BATTERY        |
| LID, CASS      | LID, CASSETTE       |
| LVR            | LEVER               |
| P-SP           | P-SPRING            |
| PANEL, CONT    | PANEL, CONTROL      |
| PANEL, FR      | PANEL, FRONT        |
| PRGM           | PROGRAM             |
| PULLY, LOAD MO | PULLY, LOAD MOTOR   |
| RBN            | RIBBON              |
| S-             | SPECIAL             |
| SEG            | SEGMENT             |
| SH             | SHEET               |
| SHLD-SH        | SHIELD-SHEET        |
| SL             | SLIDE               |
| SP             | SPRING              |
| SP-SCREW       | SPECIAL-SCREW       |
| SPACER, BAT    | SPACER, BATTERY     |
| SPR            | SPRING              |
| SPR-P          | P-SPRING            |
| SPR-PC-PUSH    | P-SPRING, C-PUSH    |
| T-SP           | T-SPRING            |
| TERM           | TERMINAL            |
| TRIG           | TRIGGER             |
| TUN            | TUNING              |
| VOL            | VOLUME              |
| W              | WASHER              |
| WHL            | WHEEL               |
| WORM-WHL       | WORM-WHEEL          |

| サービス技術ニュース |      |
|------------|------|
| 番号         | 連絡内容 |
| G- -       |      |
| G- -       |      |
| G- -       |      |

**アイワ株式会社**  
**AIWA CO., LTD.**

931261 750038

Tokyo Japan