

SERVICE TECHNICAL INFORMATION

ONE POINT REPAIR

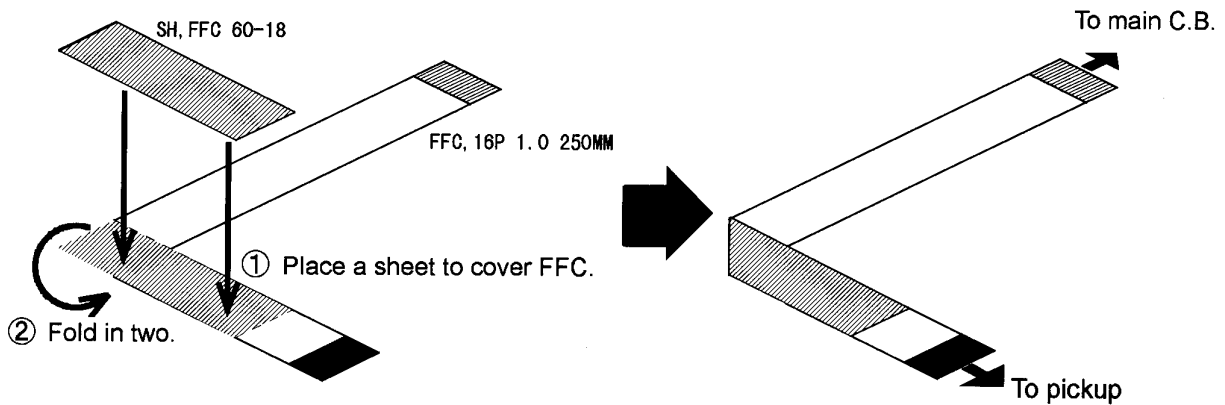
UTSUNOMIYA, APR. 15, 1999
 REF. NO.: SI-98-050
 CUSTOMER RELATIONS & SERVICE DIV.

MODEL : XR-MD85

SUBJECT : Inability to play CD

CONTENTS : Coating on the 16-P FFC between the pickup and the CD C.B. may come off, by rubbing against the cabinet bottom. Worn-out coating may cause a break in R70, which results in inability to play CD. Take the action described below, regardless of the troubles currently occurring.

ACTION : Place a sheet on 16-P FFC as shown in the figure.



Ref.	Part name	Part number	Remarks
R70	RES, 2.2 - 1/2W J	88-140-229-010	
	SH, FFC 60 - 18	88-CE2-220-010	

* The above parts cannot be substituted by other parts.