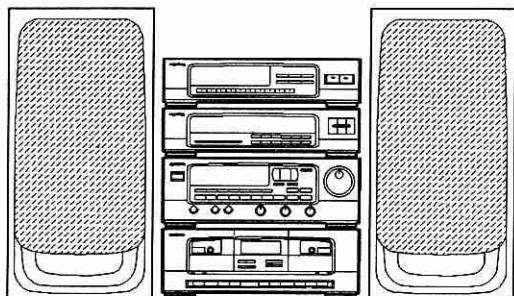


aiwa



Z-D9100M



COMPACT DISC STEREO SYSTEM

- BASIC TAPE MECHANISM: 2ZM-1P1N,R1N
- BASIC CD MECHANISM: KSM-2101ABM

- TYPE: LH,HE,K,EE

REVISION PUBLISHING

- This Service Manual is the "Revision Publishing" and replaces "Simple Manual" (S/M Code No. 09-947-071-90I).

♠ This service manual contains service information for only altered and added sections of Model Z - D9100M.
If requiring other service information, see the service manual of Model Z - D7000M (S/M Code No. 0266).

| CENTER SYSTEM | AMPLIFIER | CASSETTE DECK | TUNER | GRAPHIC EQUALIZER | SPEAKER | CD PLAYER (OPTIONAL) | TURNTABLE (OPTIONAL) |
|---------------------|-------------|----------------|------------|-------------------|------------|----------------------|----------------------|
| Z - D9100M LH,HE | MX - Z9100M | FX - WZ9100 | TX - Z9100 | GE - Z9100 | SX - Z9100 | DX - Z9100M | PX - E900 |
| Z - D9100M K,EE | MX - Z9100M | FX - WZ9100 | TX - Z9100 | GE - Z9100 | SX - Z9100 | DX - Z9100M | PX - E800 |

SPECIFICATIONS

TUNER TX-Z9100

<FM section>

| | |
|-------------------------------|--|
| Frequency range | 87.5 MHz to 108 MHz |
| Usable sensitivity (IHF) | 2.2 μ V (75 ohms) 18.2 dBf |
| Alternate channel selectivity | 50 dB (\pm 400 kHz) |
| Signal-to-noise ratio | 70 dB (STEREO), 78 dB (MONO) |
| Harmonic distortion | 0.3 % (MONO), 1 kHz 0.8 % (STEREO), 1 kHz |
| Frequency response | 20 Hz to 15 kHz (+0.5 dB/ - 3 dB) |
| Stereo separation | 40 dB at 1 kHz |
| Antenna | 75 ohms (unbalanced) |

<AM section: YH,YLH>

| | |
|-----------------------|---|
| Frequency range | YH: 531 (530) kHz to 1,602 (1,710) kHz YLH: 530 (531) kHz to 1,710 (1,602) kHz |
| Usable sensitivity | 300 μ V/m |
| Selectivity | 22 dB (9 kHz) |
| Signal-to-noise ratio | 53 dB (100 dB input) |
| Antenna | Loop antenna |

<MW section: YEE, YEZ>

| | |
|-----------------------|----------------------|
| Frequency range | 522 kHz to 1,611 kHz |
| Usable sensitivity | 400 μ V/m |
| Selectivity | 22 dB (9 kHz) |
| Signal-to-noise ratio | 53 dB (100 dB input) |
| Antenna | Loop antenna |

<LW section: YEE, YEZ>

| | |
|--------------------|--------------------|
| Frequency range | 144 kHz to 290 kHz |
| Usable sensitivity | 1,000 μ V/m |
| Antenna | Loop antenna |

<Timer section and general>

| | |
|-------------------------------------|--|
| Program timer | "Once" and/or "every" |
| Sleep timer | Capable of setting in 10-minute increments, 99 minutes maximum. |
| Dimensions(W \times H \times D) | 360 \times 88 \times 315 mm (14 $\frac{1}{4}$ \times 3 $\frac{1}{2}$ \times 12 $\frac{1}{2}$ in.) |
| Weight | 2.3 kg (5.28 lb.) |

AMPLIFIER MX-Z9100M

| | |
|-------------------------------------|--|
| Power output | Front: HE, LH: 75 W+75 W (6 ohms, T.H.D. 10 %, 1 kHz) EE, EZ: 65 W+65 W (6 ohms, T.H.D. 1 %, 1 kHz) K: 65 W+65 W (6 ohms, T.H.D. 10 %, 1 kHz) 75 W+75 W (6 ohms, T.H.D. 1 %, 1 kHz) Rear: HE, LH: 12.5 W+12.5 W (16 ohm, T.H.D. 10%, 1 kHz) EE, EZ: 10 W+10 W (16 ohm, T.H.D. 1%, 1 kHz) K: 10 W+10 W (16 ohms, T.H.D. 1%, 1 kHz) Center: HE, LH: 25 W (8 ohms, T.H.D. 10%, 1 kHz) EE, EZ: 20 W (8 ohms, T.H.D. 1%, 1 kHz) K: 20 W (8 ohms, T.H.D. 1%, 1 kHz) 25 W (8 ohms, T.H.D. 10%, 1 kHz) |
| Harmonic distortion | 0.08 % (25 W, 1 kHz, 6 ohms) |
| Input sensitivity(load impedance) | VIDEO 1/DAT: 300 mV (39 kohms) VIDEO 2/AUX: 500 mV (39 kohms) PHONO IN: 500mV or more (36 kohms) |
| Signal-to-noise ratio | 80 dB |
| Power requirements | HE, LH: 120/220/240 V AC selectable, 50/60 Hz EE, EZ: 230 V AC, 50Hz K: 230 - 240 V AC, 50Hz |
| Power consumption | HE, LH: 140 W (System total 170 W) EE, EZ, K: 370 W (System total 410 W) |
| Dimensions(W \times H \times D) | 360 \times 128 \times 332 mm (14 $\frac{1}{4}$ \times 5 $\frac{1}{8}$ \times 13 $\frac{1}{8}$ in.) |
| Weight | HE, LH: 7.2 kg (15.8 lb.) EE, K, EZ: 8.2 kg (18 lb.) |

CASSETTE DECK FX-WZ9100

| | |
|-------------------------------------|---|
| Track format | 4 tracks, 2 channels |
| Frequency response | METAL tape: 20 - 17,000 Hz CrO ₂ tape: 20 - 16,000 Hz Normal tape: 20 - 15,000 Hz |
| Signal-to-noise ratio | 70 dB (Dolby C NR ON, METAL tape peak level above 5 kHz) |
| Wow and flutter | 0.12% (WRMS) \pm 0.19% (WPEAK) |
| Tape speed | 4.8 cm/sec. (1 $\frac{7}{8}$ ips) 9.5 cm/sec. (double speed) |
| Rewind time | 120 sec. (C-60) |
| Fast forward time | 120 sec. (C-60) |
| Recording system | AC bias |
| Erase system | AC erase |
| Motor | DC servomotor \times 2 |
| Heads | Playback head \times 1 (deck 1) Record/playback/erasure head \times 1 (deck 2) |
| Dimensions(W \times H \times D) | 360 \times 128 \times 309.5 mm (14 $\frac{1}{4}$ \times 5 $\frac{1}{8}$ \times 12 $\frac{1}{4}$ in.) |
| Weight | 3.0 kg (6.6 lb.) |

GRAPHIC EQUALIZER GE-Z9100

| | |
|--------------------------------------|--|
| Input | 210 mV (47 kohms) |
| Output | 210 mV (47 kohms) |
| Dimensions (W \times H \times D) | 360 \times 88 \times 308 mm (14 $\frac{1}{4}$ \times 3 $\frac{1}{2}$ \times 12 $\frac{1}{4}$ in.) |
| Weight | 2.2 kg (4.84 lb.) |

SPEAKER SX-Z9100

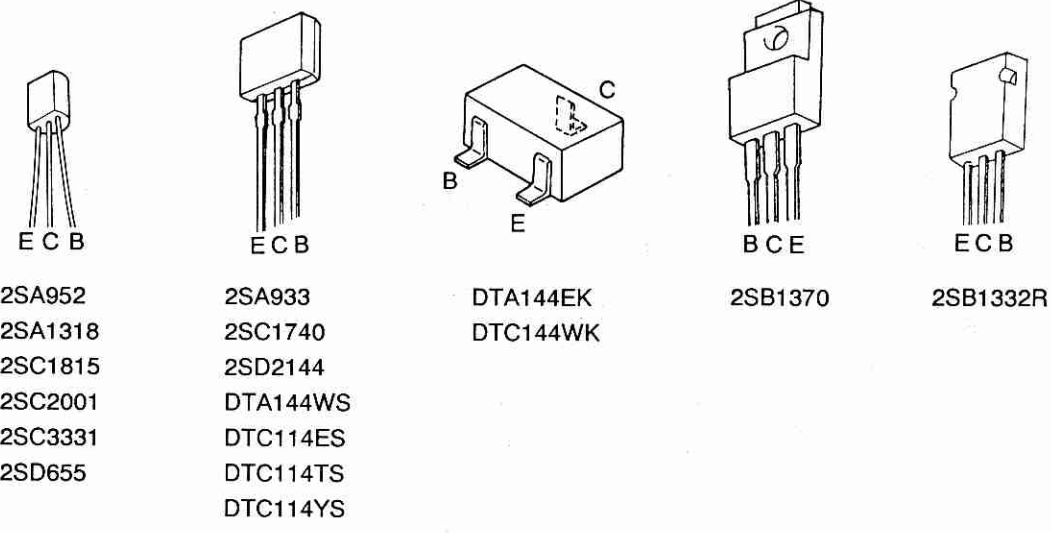
| | |
|-------------------------------------|---|
| Cabinet type | 3 way, bass reflex |
| Speaker | 220 mm cone type woofer 60 mm cone type tweeter 30 mm ceramic type super tweeter |
| Impedance | 6 ohms |
| Music power | 80 W |
| Output sound pressure level | 90 dB/W/m |
| Dimensions(W \times H \times D) | 290 \times 530 \times 230 mm (11 $\frac{1}{2}$ \times 20 $\frac{7}{8}$ \times 9 $\frac{1}{8}$ in.) |
| Weight | 7.3 kg (16 lb. 2 oz) |

COMMON SECTION (See the suffix of MX-Z9100M)

| | |
|-------------------------------------|--|
| Power requirements | HE, LH: 120/220/240 V AC, selectable, 50/60 Hz EE, EZ: 230 V AC, 50Hz K: 230 - 240 V AC, 50Hz |
| Dimensions(W \times H \times D) | 940 \times 530 \times 332 mm (37 $\frac{1}{8}$ \times 20 $\frac{7}{8}$ \times 13 $\frac{1}{8}$ in.) (vertical placement) 1,300 \times 530 \times 332 mm (51 $\frac{1}{4}$ \times 20 $\frac{7}{8}$ \times 13 $\frac{1}{8}$ in.) (horizontal placement) |
| Weight | HE, LH: 29.3 kg (64.5 lb.) EE, K, EZ: 30.3 kg (66.7 lb.) |

- Design and specifications are subject to change without notice.
- Noise reduction system manufactured under license from Dolby Laboratories Licensing Corporation.
- "Dolby", the double-D symbol are trademarks of Dolby Laboratories Licensing Corporation.
- The word "BBE" and the "BBE symbol" are trademarks of BBE Sound, Inc.
- Under license from BBE Sound, Inc.

TRANSISTOR ILLUSTRATION (MX-Z9100M)



2SA952
2SA1318
2SC1815
2SC2001
2SC3331
2SD655

2SA933
2SC1740
2SD2144
DTA144WS
DTC114ES
DTC114TS
DTC114YS

DTA144EK
DTC144WK

2SB1370

2SB1332R

ACCESSORIES/PACKAGE LIST

DESCRIPTIONで判断できない物は“REFERENCE NAME LIST”を参照してください。
If can't understand for Description please kindly refer to “REFERENCE NAME LIST”.

| REF. NO | PART NO. | カリ NO. | DESCRIPTION |
|---------|----------------|-------------------------|-------------|
| 1 | 84-VP1-901-019 | IB, ESC(S) | |
| 2 | 84-VP1-902-019 | IB, GF1(S)(EE) | |
| 3 | 87-009-724-019 | PLUG, ADPTR, 1R39(LH) | |
| 4 | 87-009-725-019 | PLUG, ADPTR, 1R40(HE) | |
| 5 | 84-VP1-650-019 | RC, RC-TZ9100MF(LH, HE) | |
| 6 | 84-VP1-651-019 | RC, RC-TZ9100ML(EE, K) | |

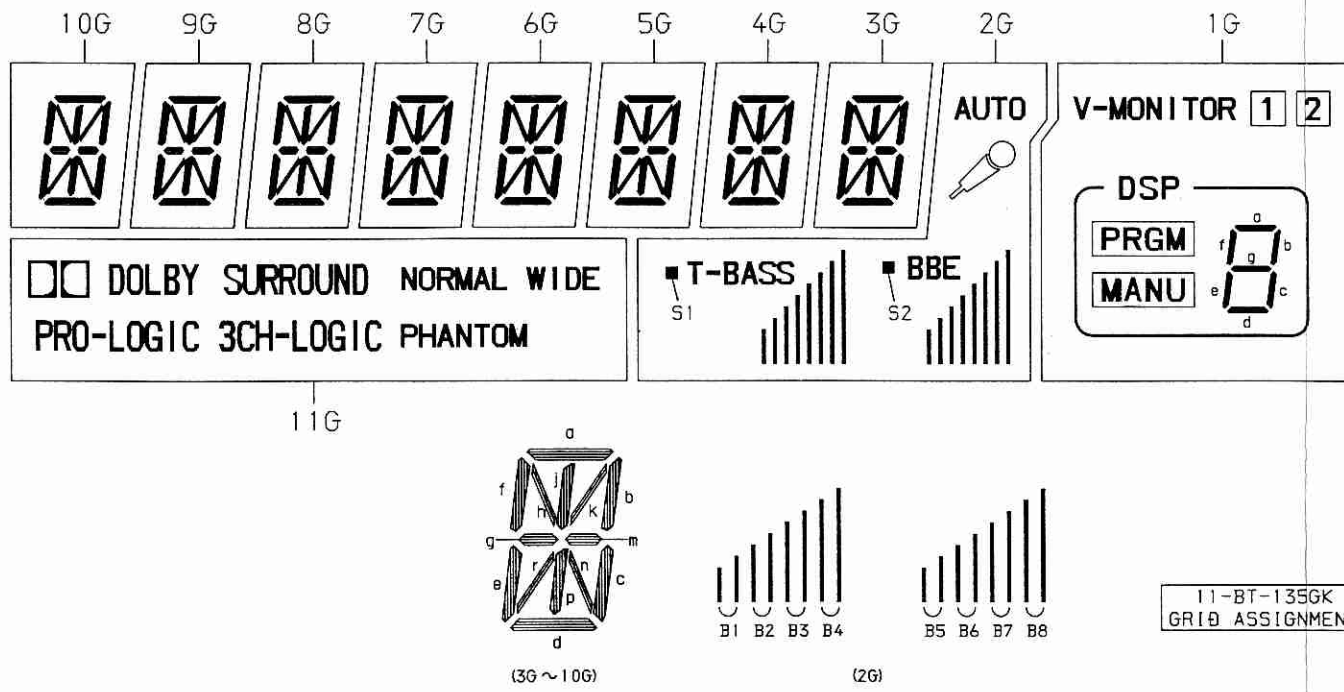
IC DESCRIPTION (MX-Z9100M)

IC, CXP82532-114Q

| Pin No. | Pin Name | I/O | Description |
|---------------|-------------------|-----|---|
| 1 | I-HOLD | I | HOLD input. "L" : HOLD mode. "H" : Normal mode. |
| 2 | I-REMOTE | I | Remote control input. |
| 3 | NC | - | Not used. |
| 4 | O-CE (M-EVR) | O | Not used. |
| 5 | NC | - | Not used. |
| 6 | O-CE (DSP) | O | Strobe output for DSP microcomputer. |
| 7 | O-CE (EVR) | O | Strobe output for electrical volume. |
| 8 | O-CLK (DSP, GEQ) | O | Clock output for DSP and GEQ. |
| 9 | I-DATA (GEQ) | I | Data input from GEQ microcomputer. |
| 10 | O-DATA (DSP, GEQ) | O | Data output for DSP and GEQ. |
| 11 | O-CLK (etc) | O | Clock for shift register and electrical volume. |
| 12 | O-STB SR (4094) | O | Strobe output for shift register. |
| 13 | O-DATA (SR, EVR) | O | Data output for shift register and electrical volume. |
| 14 | O-CE (GEQ) | O | Strobe output for GEQ microcomputer. |
| 15 | I/O-SERIAL | I/O | Serial data for system control. |
| 16 } 19 | NC | - | Not used. |
| 20 | I-INITIAL | I | Intialize input. (Not used) |
| 21 | O-VOL-LED | O | Volume LED control output. LED lights on when "H". |
| 22 | I-KEY1 | I | A/D input for key input. |
| 23 | I-KEY2 | I | |
| 24 | I-KEY3 | I | Key input. (Power) |
| 25 | I-KEY4 | I | A/D input for key input. |
| 26 | O-SP LEVEL | - | Not used. |
| 27 | NC | - | Not used. |
| 28 | I-MIC | I | Microphone input detection A/D port. Vocal fader switched on at an input of over 0.34V in auto vocal fader mode. Reset time: Fast; 1 sec., Slow; 4 sec. |
| 29 | I-VOL | I | A/D input for volume position detection. |
| 30 | RESET | I | Reset input. |
| 31 | EXTAL | - | X'tal terminal. (10.0MHz) |
| 32 | XTAL | - | |
| 33 | V _{SS} | I | GND |
| 34 } 44 | NC | - | Not used. |
| 45 | O-S14 | O | FL display segment output. |
| 59 | O-S0 | | |
| 60 | O-G11 | O | FL display grid output. |
| 70 | O-G1 | | |
| 71 | VFDP | - | FL display power supply. (-31.4V) |
| 72 | V _{DD} | - | Power supply. (+5V) |
| 73 | NC | - | Connected to VDD. |
| 74 | VOL UP | O | Volume control output. (UP) |
| 75 | VOL DOWN | O | Volume control output. (DOWN) |
| 76 | O-MUTE | O | Mute output. Muting when "H". |
| 77 | O-POWER | O | Power control output. Power on when "L". |
| 78 | NC | - | Not used |
| 79 | NC | - | |
| 80 | NC | - | |

FL DISPLAY/IC BLOCK DIAGRAM (MX-Z9100M)
 FL, 11-BT-135GK

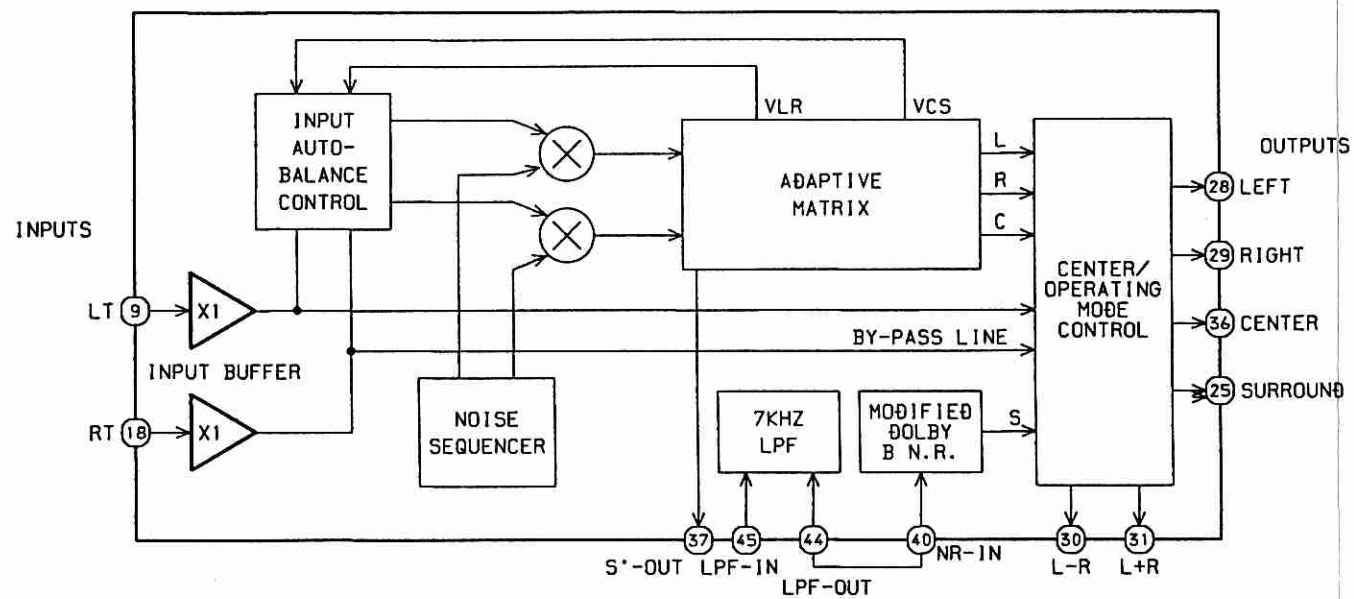
GRID ASSIGNMENT



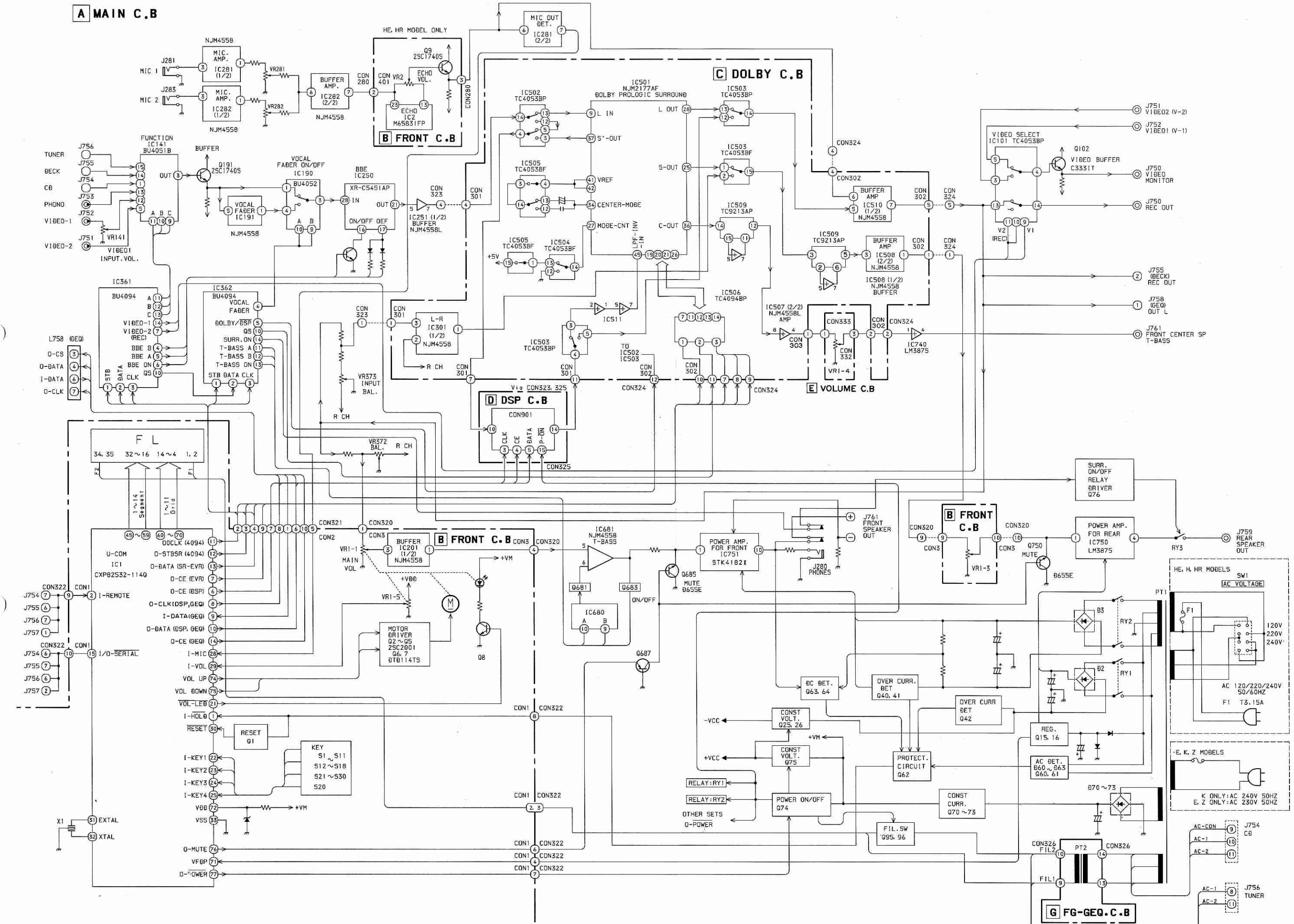
ANODE CONNECTION

| | 11G | 10G | 9G | 8G | 7G | 6G | 5G | 4G | 3G | 2G | 1G |
|------|------------------|-----|----|----|----|----|----|----|----|---------------|------------------|
| S1 | DOLBY | a | a | a | a | a | a | a | a | — | 1 |
| S2 | SURROUND | b | b | b | b | b | b | b | b | — | 2 |
| S3 | PRO-LOGIC | c | c | c | c | c | c | c | c | — | DSP |
| S4 | 3CH-LOGIC | d | d | d | d | d | d | d | d | B1, S1 | PRGM |
| S5 | NORMAL | e | e | e | e | e | e | e | e | B2 | MANU |
| S6 | WIDE | f | f | f | f | f | f | f | f | B3 | a |
| S7 | PHANTOM | g | g | g | g | g | g | g | g | B4 | b |
| S8 | — | h | h | h | h | h | h | h | h | B5, S2 | c |
| S9 | — | j | j | j | j | j | j | j | j | B6 | d |
| S10 | — | k | k | k | k | k | k | k | k | B7 | e |
| S11 | — | m | m | m | m | m | m | m | m | B8 | f |
| S12 | — | n | n | n | n | n | n | n | n | g | g |
| S13 | — | p | p | p | p | p | p | p | p | AUTO | — |
| S14 | — | r | r | r | r | r | r | r | r | — | — |
| SC15 | — | — | — | — | — | — | — | — | — | T-BASS | — |
| SC16 | — | — | — | — | — | — | — | — | — | BBE | — |
| SC17 | — | — | — | — | — | — | — | — | — | — | V-MONITOR |

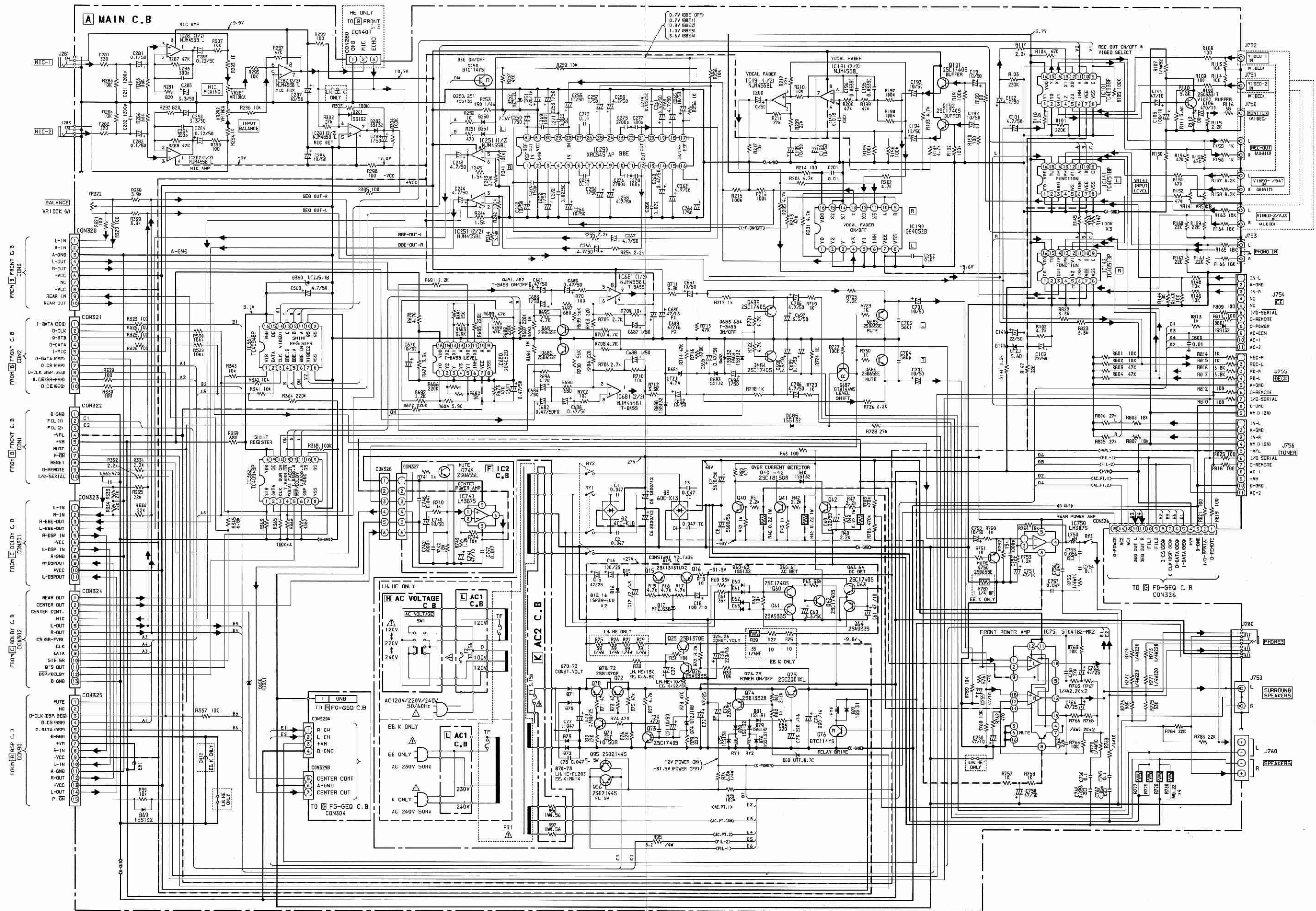
IC, NJM2177AF

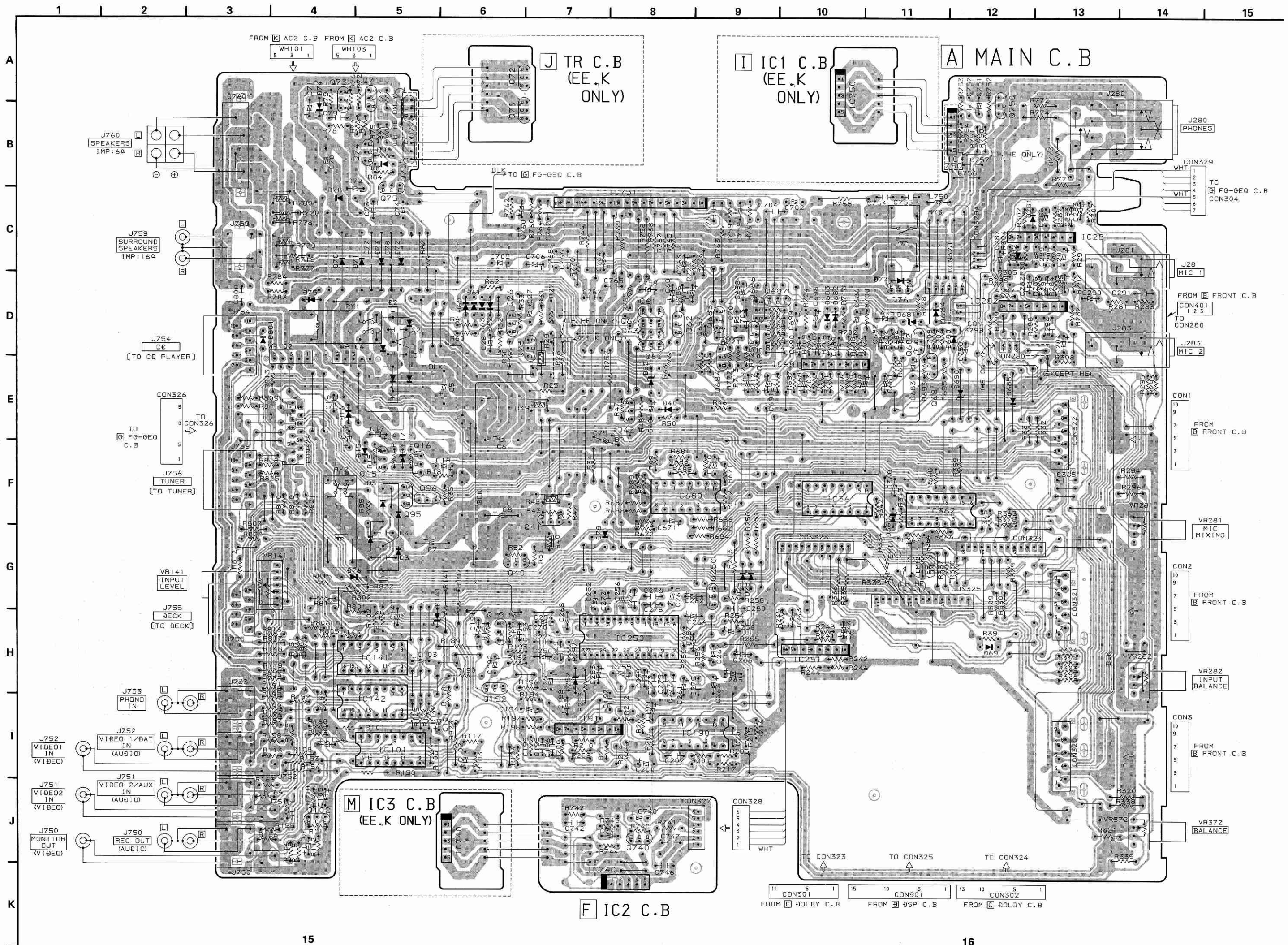


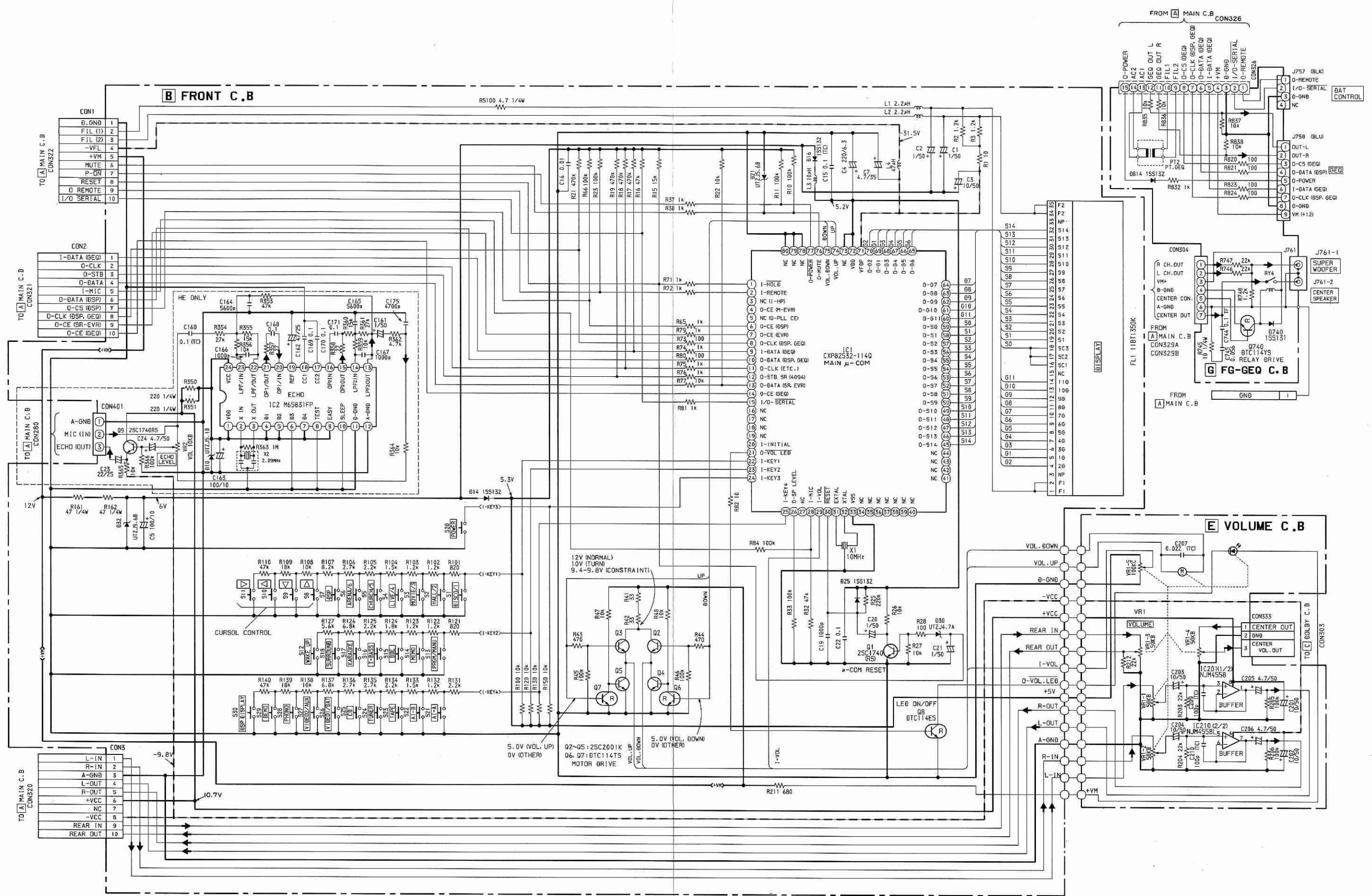
A MAIN C.B



SCHEMATIC DIAGRAM - 1 (MX-Z9100M)







1 2 3 4 5 6 7 8 9 10 11 12 13 14 15

A
B
C
D
E
F
G
H
I
J
K

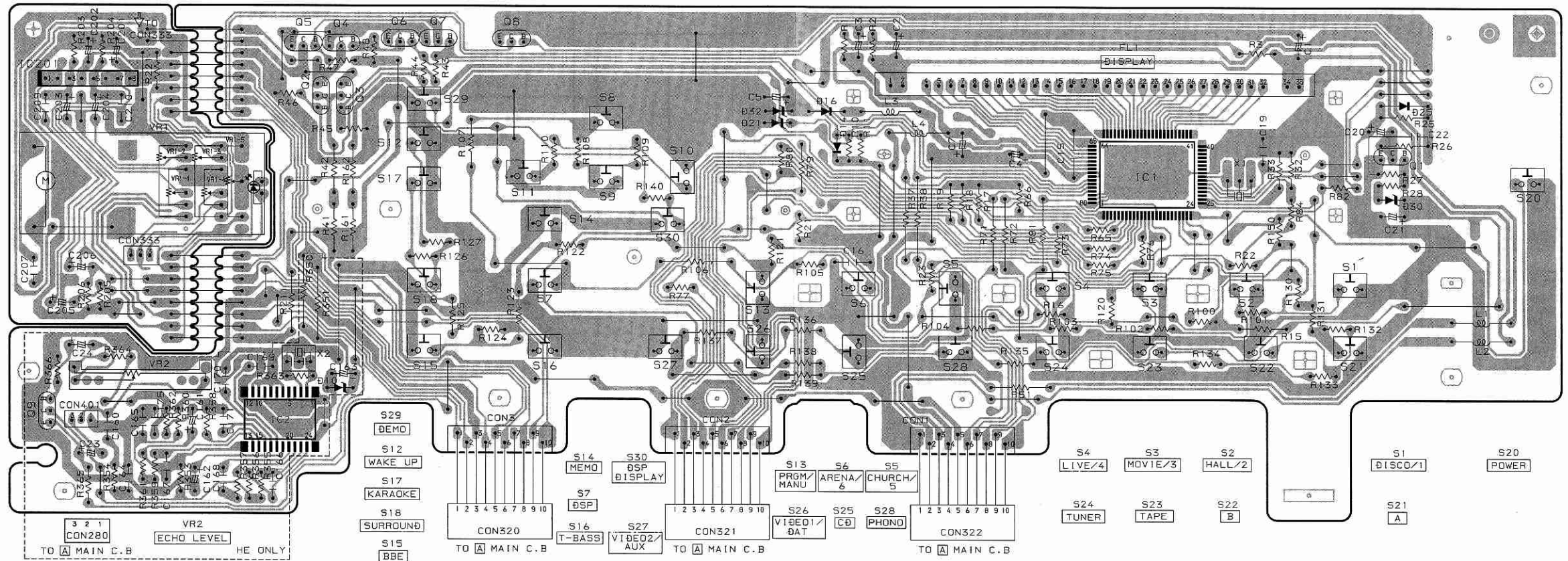
E VOLUME C.B

TO **C** DOLBY C.B

CON303
1 2 3
VR1
VOLUME

S8
S11
S9
S10
(CURSOR CONTROL)

B FRONT C.B

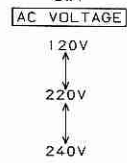


L AC1 C.B

(LH, HE ONLY)

H AC VOLTAGE C.B

AC
120V/220V/240V
50/60HZ

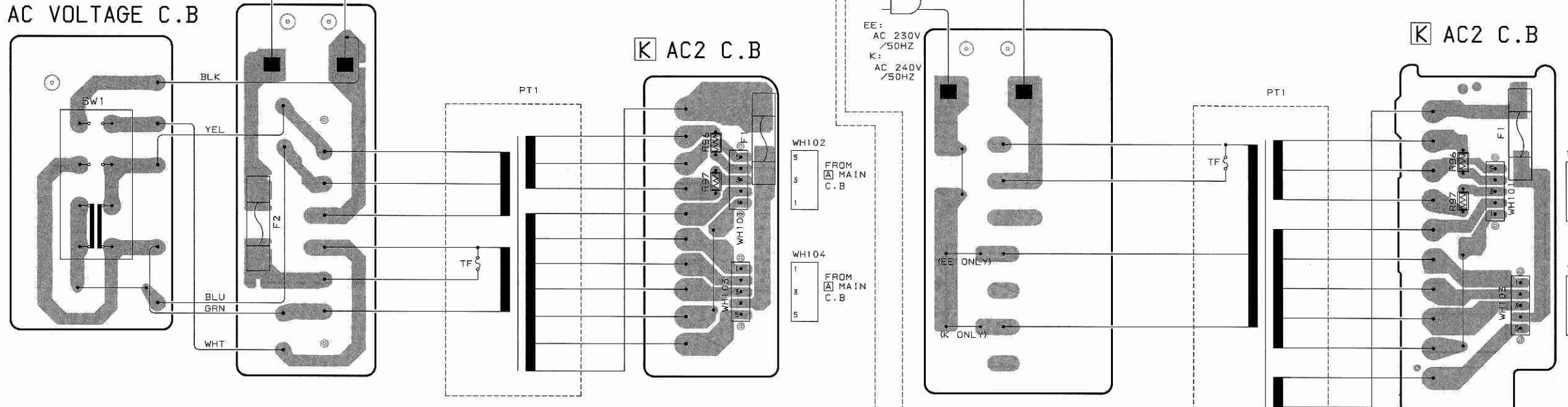


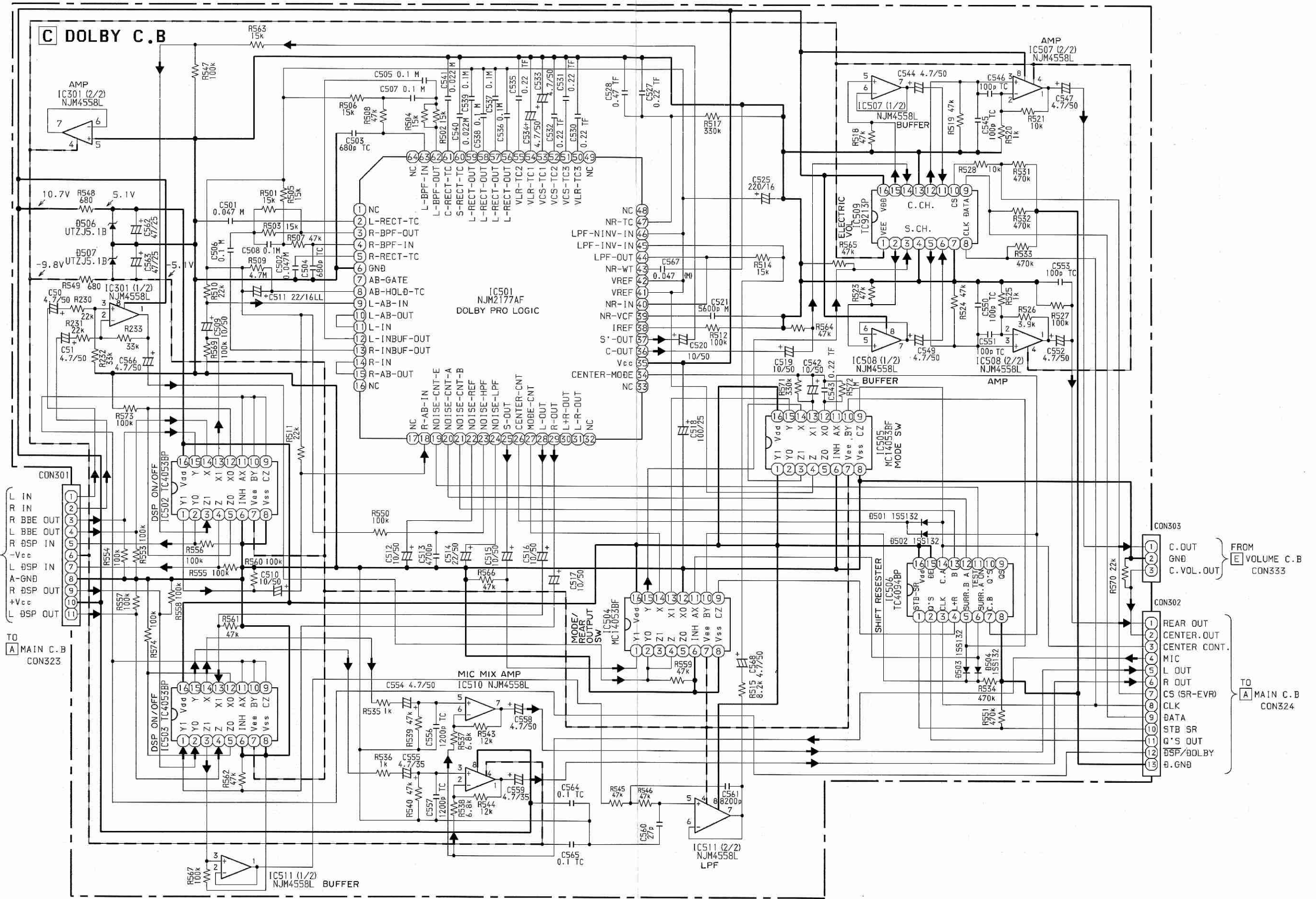
K AC2 C.B

L AC1 C.B

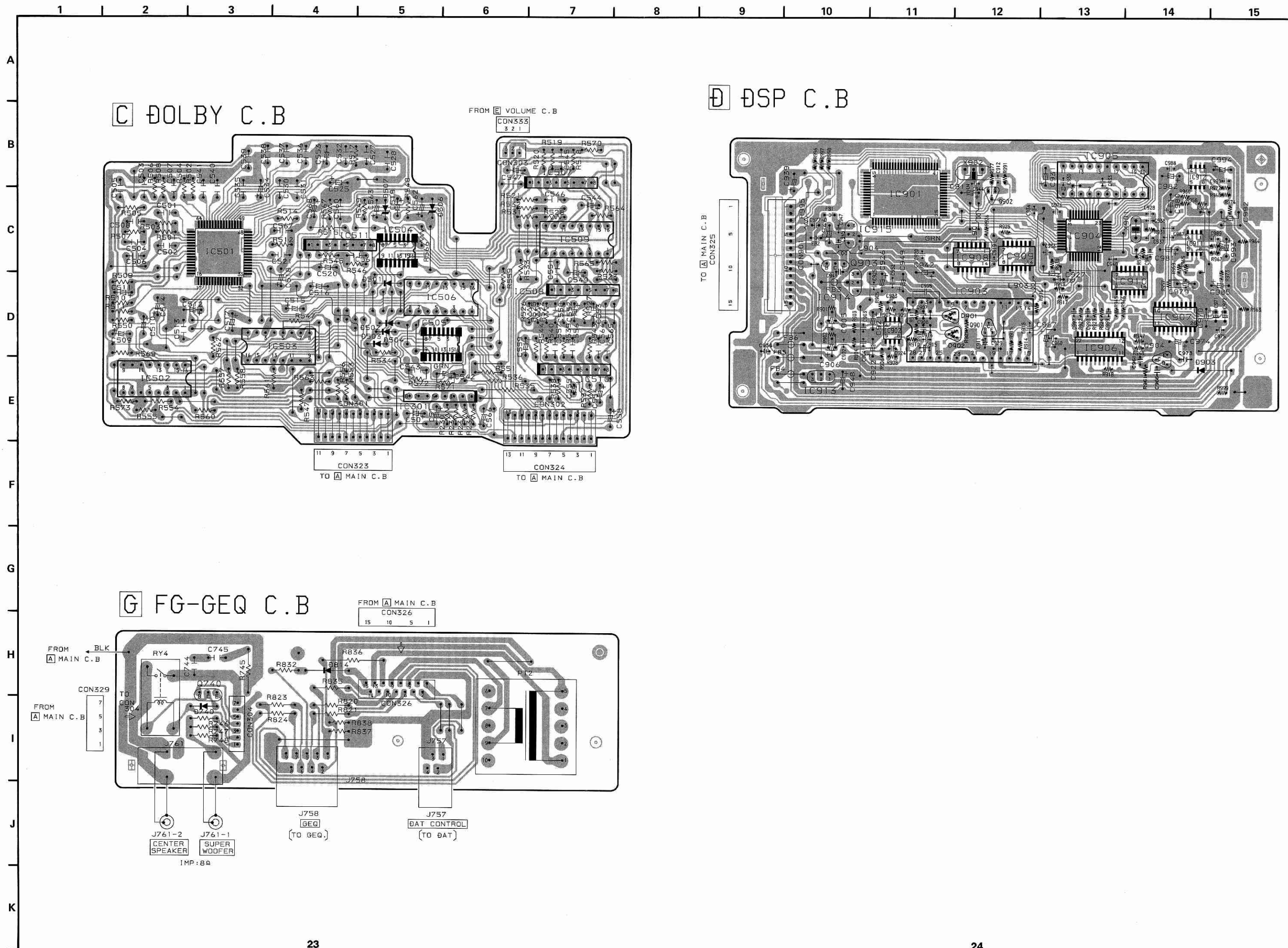
EE:
AC 230V
/50HZ
K:
AC 240V
/50HZ

K AC2 C.B



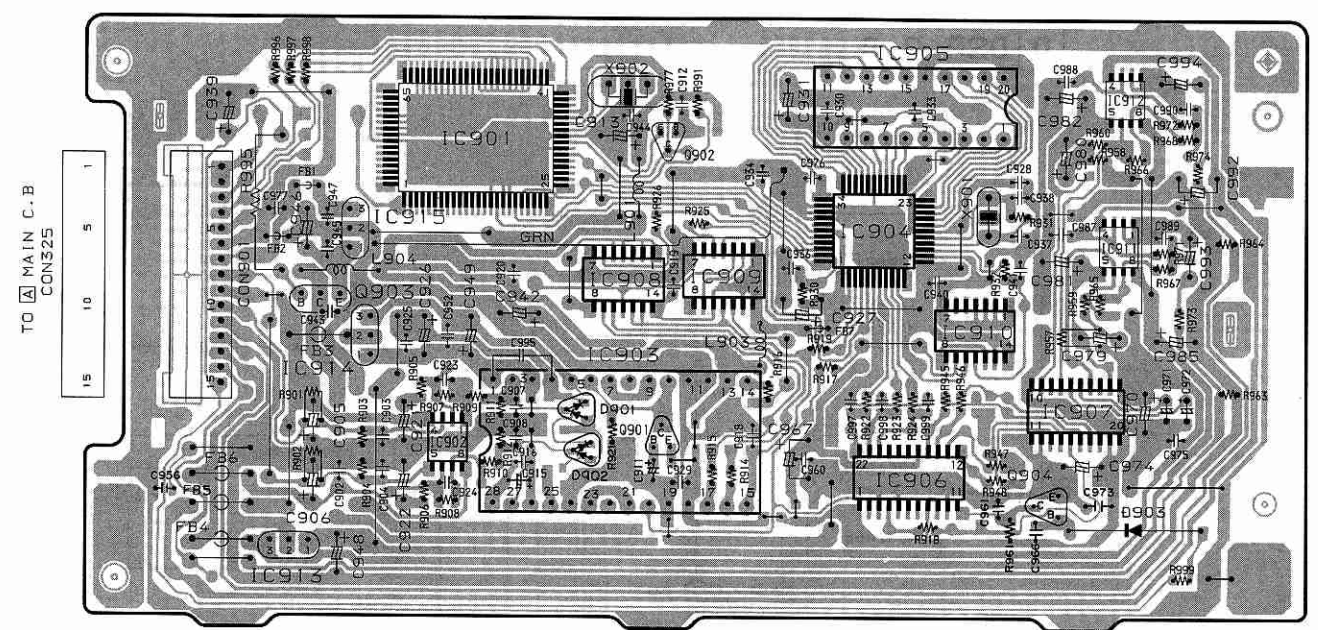
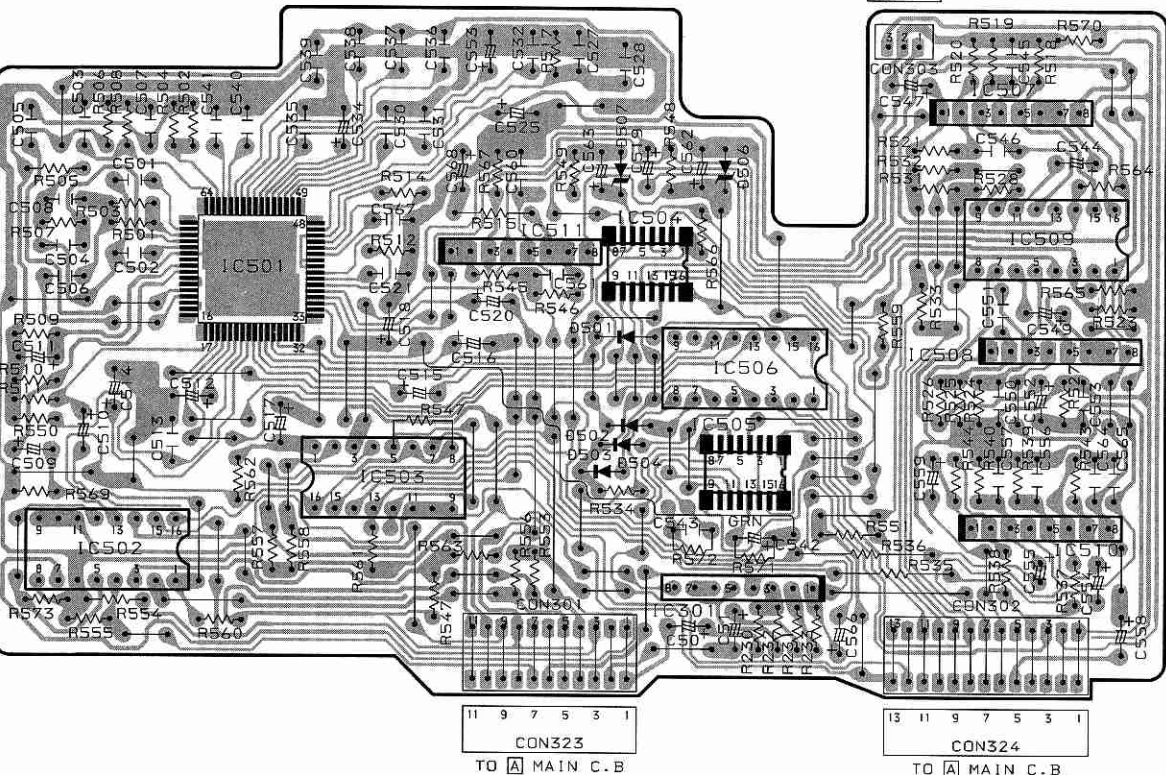


B-¥SM-4VP-1 DOLBY

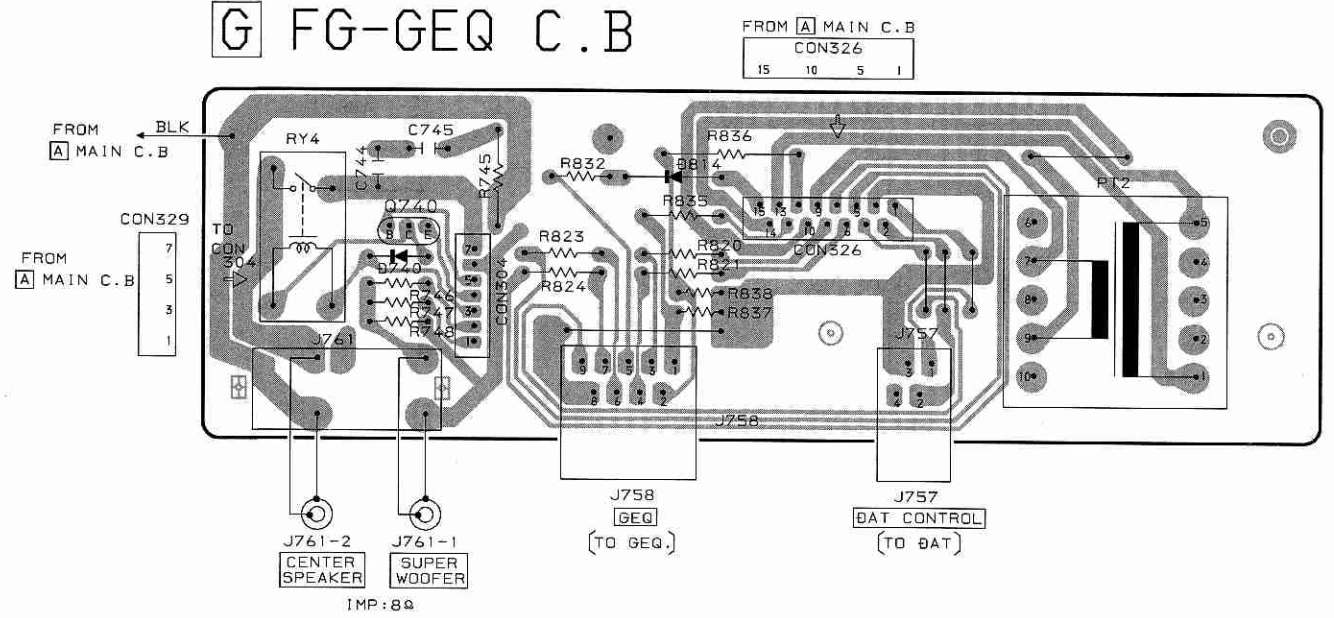


C DOLBY C.B

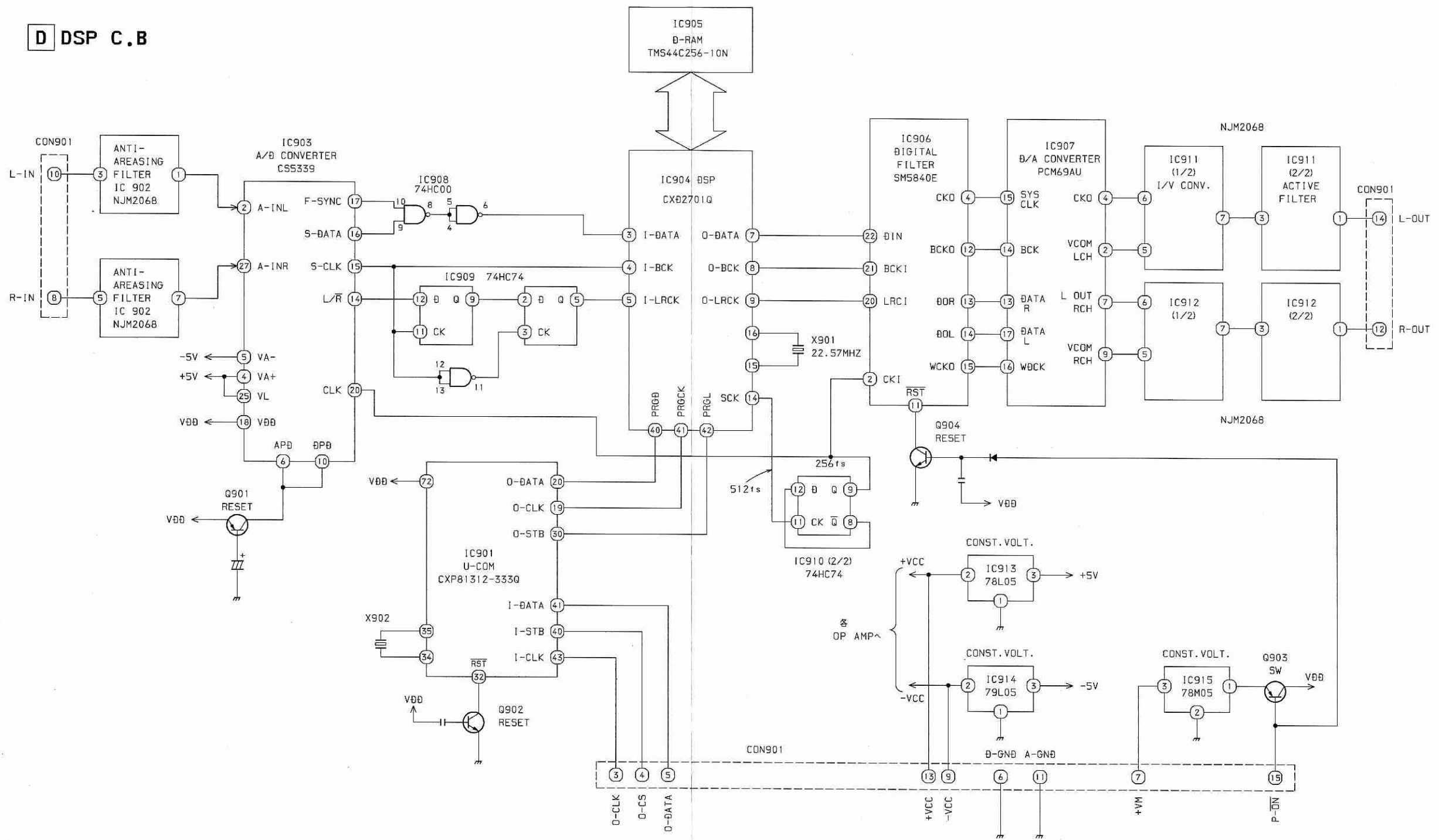
D DSP C.B

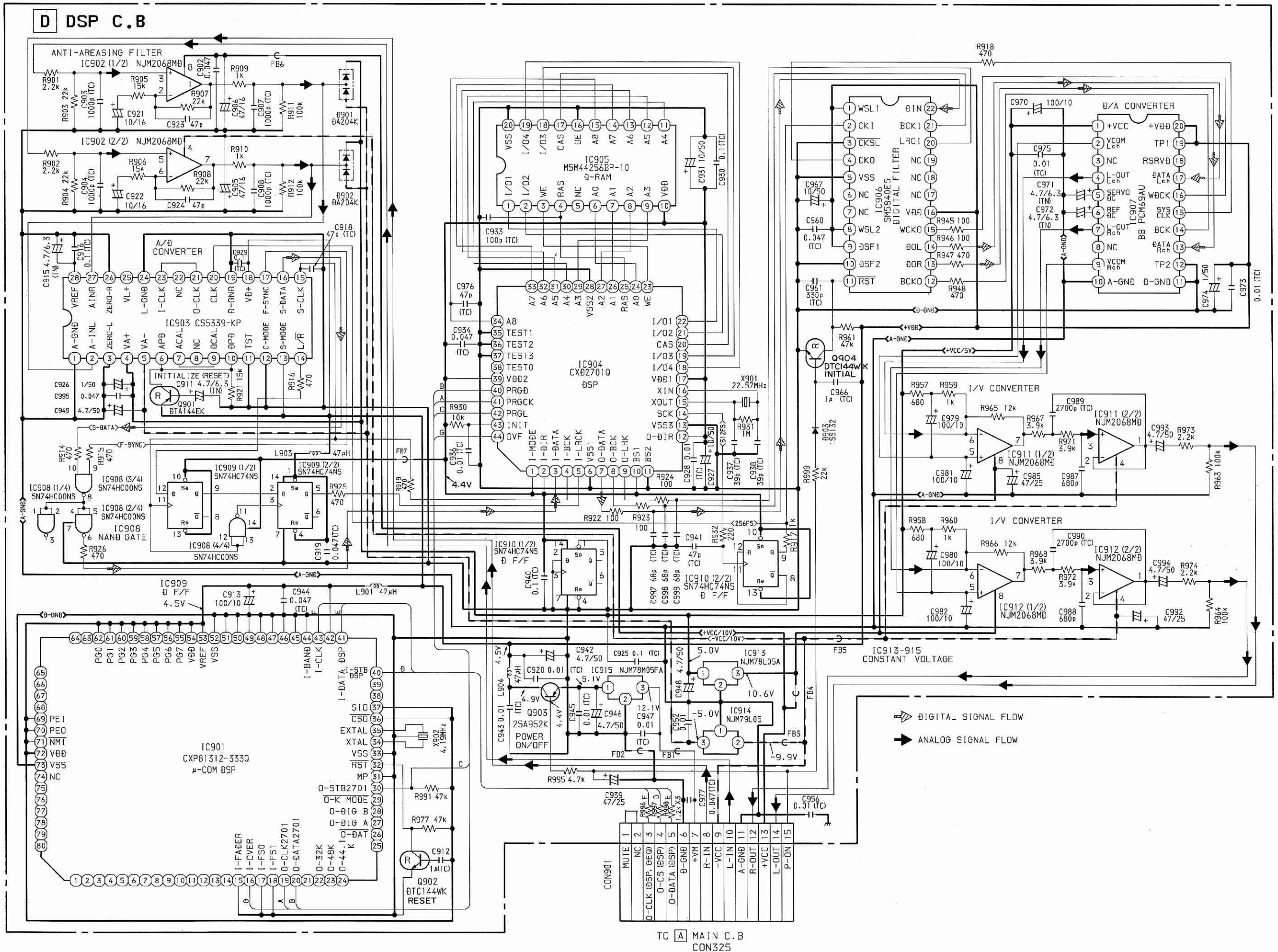


G FG-GEQ C.B



D DSP C.B





This service manual contains service information for only altered sections of Model MX - Z9100M.
If requiring other service information, see the service manual of Model MX - Z7000M.

ALTERATION PARTS LIST

MECHANICAL PARTS LIST

DESCRIPTIONで判断できない物は“REFERENCE NAME LIST”を参照してください。
If can't understand for Description please kindly refer to “REFERENCE NAME LIST”.

| REF. NO | PART NO. | カソリ NO. | DESCRIPTION |
|---------|----------------|----------------|--------------------------------|
| 1 | 82-VP2-011-019 | | CAB, STEEL (LH, HE, EZ, K) |
| 1 | 82-VP2-023-019 | | CAB, STEEL (EE) |
| △ | 2 | 87-034-749-019 | AC CORD, H W/PLUG (LH) |
| △ | 2 | 87-050-034-019 | AC CORD ASSY, E (HE, EE, EZ) |
| △ | 2 | 87-050-032-019 | AC CORD ASSY, K 3P S (K) |
| 3 | 87-085-184-010 | | BUSHING, AC CORD D (LH) |
| 3 | 87-085-185-010 | | BUSHING, AC CORD E (EXCEPT LH) |
| 4 | 84-VP1-010-019 | | PANEL, REAR LHBN (LH) |
| 4 | 84-VP1-012-019 | | PANEL, REAR HEJBN (HE) |
| 4 | 84-VP1-007-019 | | PANEL, REAR EEBN (EE) |
| 4 | 84-VP1-006-019 | | PANEL, REAR EZBN (EZ) |
| 4 | 84-VP1-009-019 | | PANEL, REAR KBN (K) |
| 14 | 84-VP1-011-019 | | KEY, FUN |
| 16 | 84-VP1-002-019 | | CAB, FR LH (LH) |
| 16 | 84-VP1-003-019 | | CAB, FR H (HE) |
| 16 | 84-VP1-001-019 | | CAB, FR (EE, EZ, K) |

MODEL NO.

FX - WZ9100

This service manual contains service information for only altered sections of Model FX - WZ9100.

If requiring other service information, see the service manual of Model FX - WZ7000.

ALTERATION MAIN PARTS LIST

DESCRIPTIONで判断できない物は“REFERENCE NAME LIST”を参照してください。
If can't understand for Description please kindly refer to “REFERENCE NAME LIST”.

ELECTRICAL MAIN PARTS LIST

| REF.NO. | PART NO. | DESCRIPTION |
|---------|----------------|--------------------|
| C216 | 87-010-197-089 | C-CAP,S 0.01-2 5 B |
| C610 | 87-010-196-089 | C-CAP,S 0.1-25 F |
| L907 | 87-003-102-089 | COIL,10UH |

MECHANICAL PARTS LIST

| REF.NO. | PART NO. | DESCRIPTION |
|---------|----------------|-----------------|
| 1-3 | 84-VW1-004-019 | PANEL,REAR (YJ) |
| 1-3 | 84-VW1-005-019 | PANEL,REAR (Y) |
| 1-15 | 09-047-747-010 | CAB,FR ASSY |
| 1-17 | 84-VW1-002-019 | BOX,CASS 1 |
| 1-18 | 84-VW1-003-019 | BOX,CASS 2 |

MODEL NO.

TX - Z9100

This service manual contains service information for only altered sections of Model TX - Z9100.

If requiring other service information, see the service manual of Model TX - Z7000.

ALTERATION PARTS LIST MECHANICAL PARTS LIST

DESCRIPTIONで判断できない物は“REFERENCE NAME LIST”を参照してください。
If can't understand for Description please kindly refer to “REFERENCE NAME LIST”.

| REF. NO | PART NO. | カンリ NO. | DESCRIPTION |
|---------|----------------|------------|-------------------------|
| 3 | 84-VT1-006-019 | | PANEL, REAR YLHBN (YLH) |
| 3 | 84-VT1-002-019 | | PANEL, REAR YEEBN (YEE) |
| 3 | 84-VT1-005-019 | | PANEL, REAR YHJBN (YH) |
| 3 | 84-VT1-003-019 | | PANEL, REAR YEZBN (YEZ) |
| 8 | 84-VT1-001-019 | | CAB, FR |
| 17 | 81-VX1-207-110 | | HLD, WIRE (YEE, YEZ) |
| 18 | 87-038-039-019 | | WIRE BINDER (YEE, YEZ) |

MODEL NO.

GE — Z9100

This service manual contains service information for only altered sections of Model GE — Z9100.

If requiring other service information, see the service manual of Model GE — Z7000.

ALTERATION PARTS LIST

MECHANICAL PARTS LIST

DESCRIPTIONで判断できない物は“REFERENCE NAME LIST”を参照してください。
If can't understand for Description please kindly refer to “REFERENCE NAME LIST”.

| REF. NO | PART NO. | カソリ NO. | DESCRIPTION |
|---------|----------------|------------|----------------------|
| 3 | 84-VU1-002-019 | | PANEL, REAR YBN(Y) |
| 3 | 84-VU1-003-019 | | PANEL, REAR YJBN(YJ) |
| 8 | 84-VU1-001-019 | | CAB, FR |

MODEL NO.

SX - Z9100

MECHANICAL PARTS LIST

DESCRIPTIONで判断できない物は“REFERENCE NAME LIST”を参照してください。
If can't understand for Description please kindly refer to “REFERENCE NAME LIST”.

| REF. NO | PART NO. | カリ NO. | DESCRIPTION |
|---------|----------------|-----------|-----------------------------|
| 1 | 84-VS1-002-010 | | PANEL W. |
| 2 | 84-VS1-008-010 | | PANEL TW. ASSY |
| 3 | 84-VS1-005-010 | | GRILL FRAME ASSY |
| 4 | 84-VS1-602-010 | | SPEAKER WOOFER |
| 5 | 83-NSD-604-010 | | SPEAKER TWEETER |
| 6 | 83-149-611-010 | | TERMINAL (YJ, YL) |
| 7 | 83-133-630-010 | | INDUCTOR 0.3mH (YJ, YL) |
| 8 | 87-010-006-010 | | CAP. E 3.3 μ F (YJ, YL) |
| 9 | 81-672-612-010 | | SPEAKER CORD (YJ, YL) |

REFERENCE NAME LIST

ELECTRICAL SECTION

| DESCRIPTION | REFERENCE NAME |
|-------------|--------------------|
| ANT | ANTENNAS |
| C- | CHIP |
| C-CAP | CAP, CHIP |
| C-CAP TN | CAP, CHIP TANTALUM |
| C-COIL | COIL, CHIP |
| C-DI | DIODE, CHIP |
| C-DIODE | DIODE, CHIP |
| C-FET | FET, CHIP |
| C-FOTR | FILTER, CHIP |
| C-JACK | JACK, CHIP |
| C-LED | LED, CHIP |
| C-RES | RES, CHIP |
| C-SFR | SFR, CHIP |
| C-SLIDE SW | SLIDE SWITCH, CHIP |
| C-SW | SWITCH, CHIP |
| C-TR | TRANSISTOR, CHIP |
| C-VR | VOLUME, CHIP |
| C-ZENER | ZENER, CHIP |
| CAP, CER | CAP, CERA-SOL |
| CAP, E | CAP, ELECT |
| CAP, M/F | CAP, FILM |
| CAP, TC | CAP, CERA-SOL |
| CAP, TC-U | CAP, CERA-SOL SS |
| CAP, TN | CAP, TANTALUM |
| CERA FIL | FILTER, CERAMIC |
| CF | FILTER, CERAMIC |
| DL | DELAY LINE |
| E/CAP | CAP, ELECT |
| FILT | FILTER |
| FLTR | FILTER |
| FUSE RES | RES, FUSE |
| MOT | MOTOR |
| P-DIODE | PHOTO DIODE |
| P-SNSR | PHOTO SENSER |
| P-TR | PHOTO TRANSISTOR |
| POLY VARI | VARIABLE CAPACITOR |
| PPCAP | CAP, PP |
| PT | POWER TRANSFORMER |
| PTR, RES | PTR, MELF |
| RC | REMOTE CONTROLLER |
| RES NF | RES, NON-FLAMMABLE |
| RESO | RESONATOR |
| SHLD | SHIELD |
| SOL | SOLENOID |
| SPKR | SPEAKER |
| SW, LVR | SWITCH, LEVER |
| SW, RTRY | SWITCH, ROTARY |
| SW, SL | SWITCH, SLIDE |
| TC CAP | CAP, SERA-SOL |
| THMS | THERMISTOR |
| TR | TRANSISTOR |
| TRIMMER | CAP, TRIMMER |
| TUN-CAP | VARIABLE CAPACITOR |
| VIB, CER | RESONATOR, CERAMIC |
| VIB, XTAL | RESONATOR, CRYSTAL |
| VR | VOLUME |
| ZENER | DIODE, ZENER |
| サージサプレッサ | SERGESUPPRESSOR |
| セラコン | CAP,CERA |

MECHANICAL SECTION

| DESCRIPTION | REFERENCE NAME |
|----------------|---------------------|
| ADHESHIVE | SHEET ADHESHIVE |
| AZ | AZIMUTH |
| BAR-ANT | BAR-ANTENNA |
| BAT | BATTERY |
| BATT | BATTERY |
| BRG | BEARING |
| BTN | BUTTON |
| CAB | CABINET |
| CASS | CASSETTE |
| CHAS | CHASSIS |
| CLR | COLLAR |
| CONT | CONTROL |
| CRSR | CURSOR |
| CU | CUSHION |
| CUSH | CUSHION |
| DIR | DIRECTION |
| DUBB | DUBBING |
| FL | FRONT LOADING |
| FLY-WHL | FLYWHEEL |
| FR | FRONT |
| FUN | FUNCTION |
| G-CU | G-CUSHION |
| HDL | HANDOL |
| HIMERON | CLOTH |
| HINGE, BAT | HINGE, BATTERY |
| HLDR | HOLDER |
| HT-SINK | HEAT SINK |
| IB | INSTRUCTION BOOKLET |
| IDLE | IDLER |
| IND, L-R | INDICATOR, L-R |
| KEY, CONT | KEY, CONTROL |
| KEY, PRGM | KEY, PROGRAM |
| KNOB, SL | KNOB, SLIDE |
| LBL | LABEL |
| LID, BATT | LID, BATTERY |
| LID, CASS | LID, CASSETTE |
| LVR | LEVER |
| P-SP | P-SPRING |
| PANEL, CONT | PANEL, CONTROL |
| PANEL, FR | PANEL, FRONT |
| PRGM | PROGRAM |
| PULLY, LOAD MO | PULLY, LOAD MOTOR |
| RBN | RIBBON |
| S- | SPECIAL |
| SEG | SEGMENT |
| SH | SHEET |
| SHLD-SH | SHIELD-SHEET |
| SL | SLIDE |
| SP | SPRING |
| SP-SCREW | SPECIAL-SCREW |
| SPACER, BAT | SPACER, BATTERY |
| SPR | SPRING |
| SPR-P | P-SPRING |
| SPR-PC-PUSH | P-SPRING, C-PUSH |
| T-SP | T-SPRING |
| TERM | TERMINAL |
| TRIG | TRIGGER |
| TUN | TUNING |
| VOL | VOLUME |
| W | WASHER |
| WHL | WHEEL |
| WORM-WHL | WORM-WHEEL |
| ジグアーム | ARM,SHAFT |
| ジグガイド | GUIDE,SHAFT |
| ストラップ | STRAP |
| トクナベ | S-SCRW |
| ヒンジ | HINGE |
| ヒンジビス | S-SCRW |
| ビスセレート | SCRW,SERRART |

| サービス技術ニュース | |
|------------|------|
| 番号 | 連絡内容 |
| G - - | |
| G - - | |
| G - - | |

アイワ株式会社
AIWA CO.,LTD.

723019, 921502, 750038

Tokyo Japan