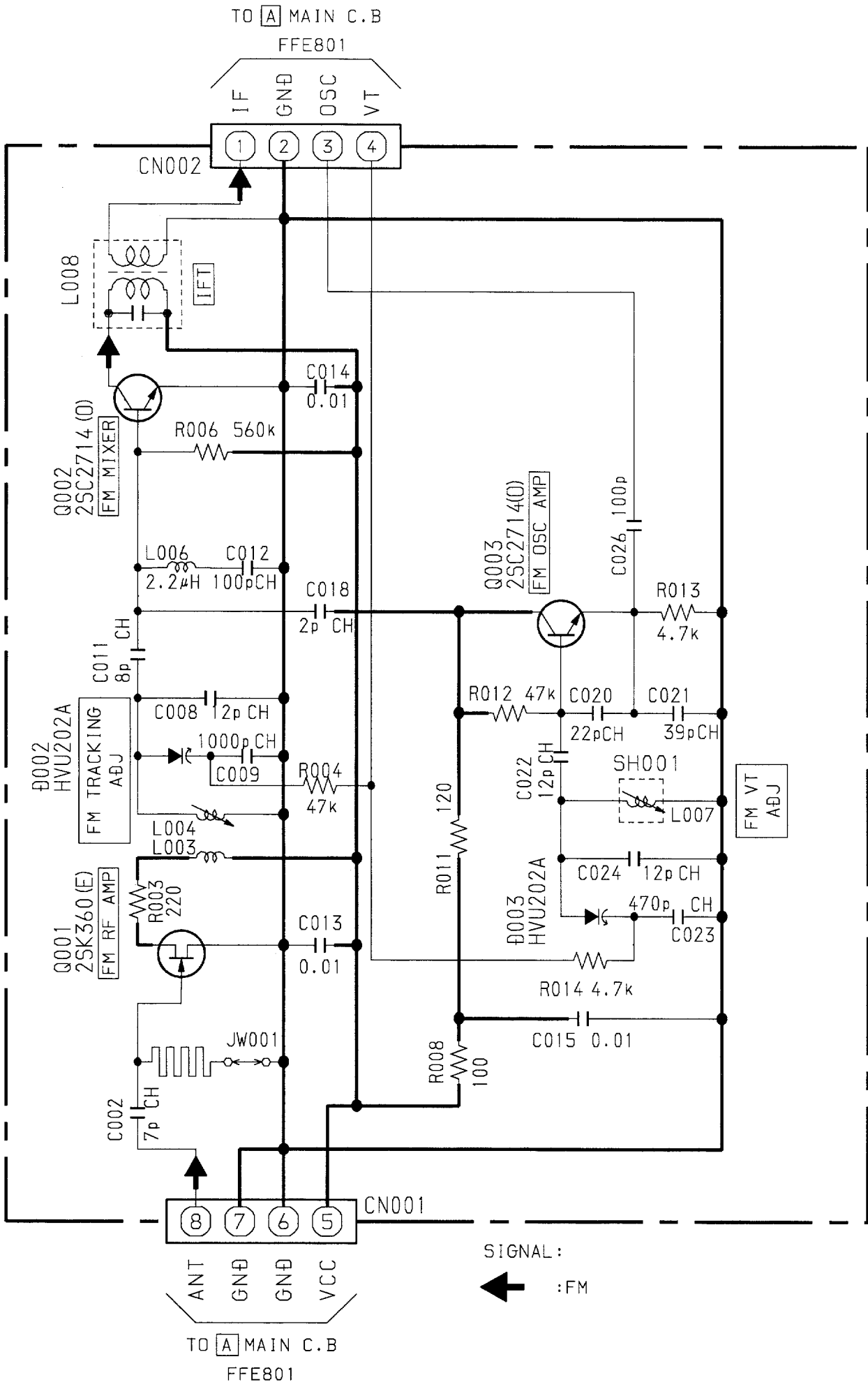


SCHEMATIC DIAGRAM - 4 (FM FRONT END)



SCHEMATIC DIAGRAM

