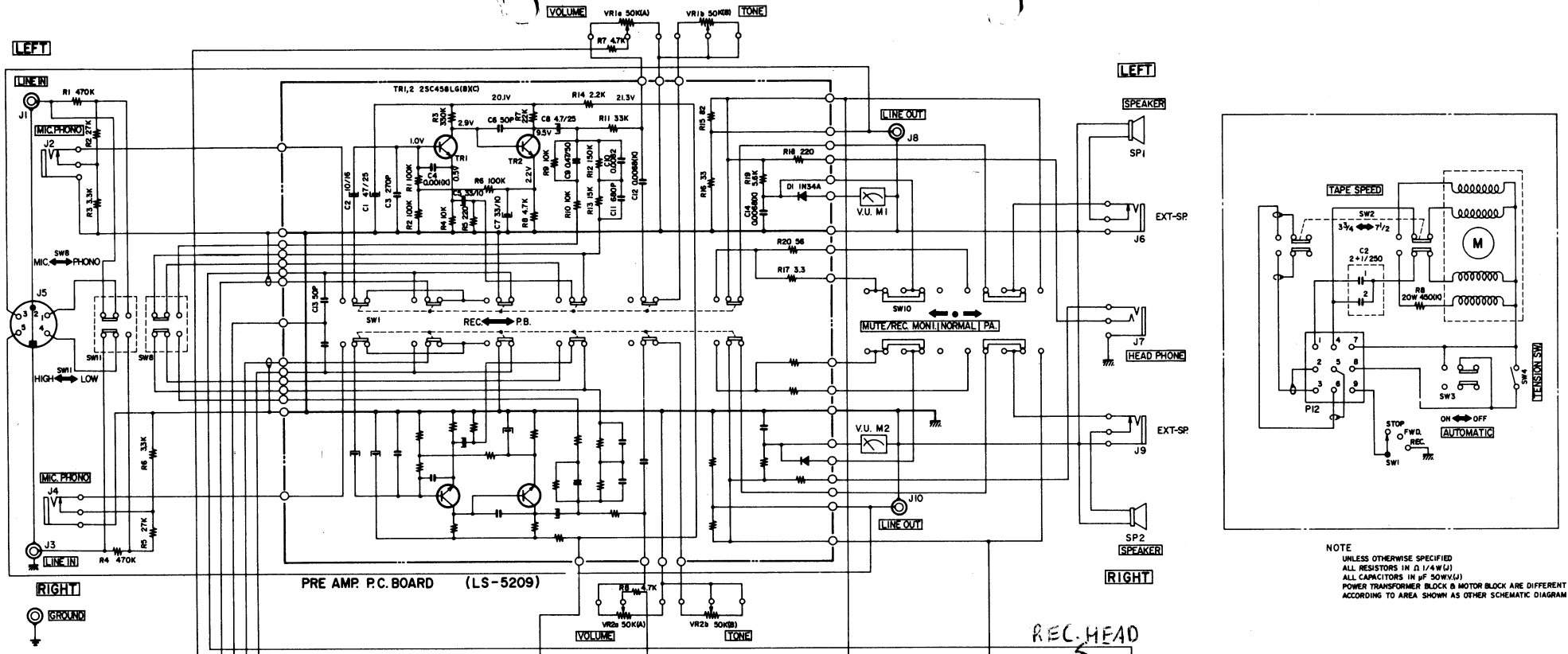
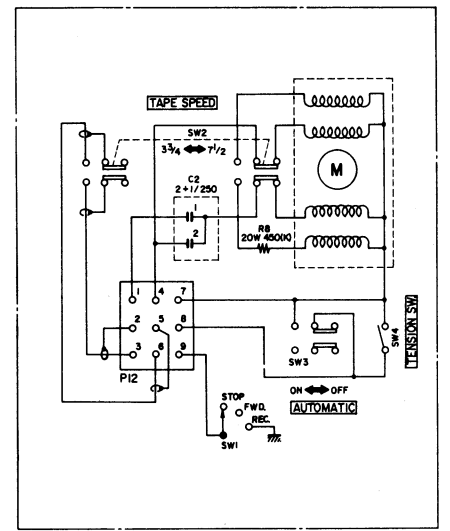


Akai TAPE DECK

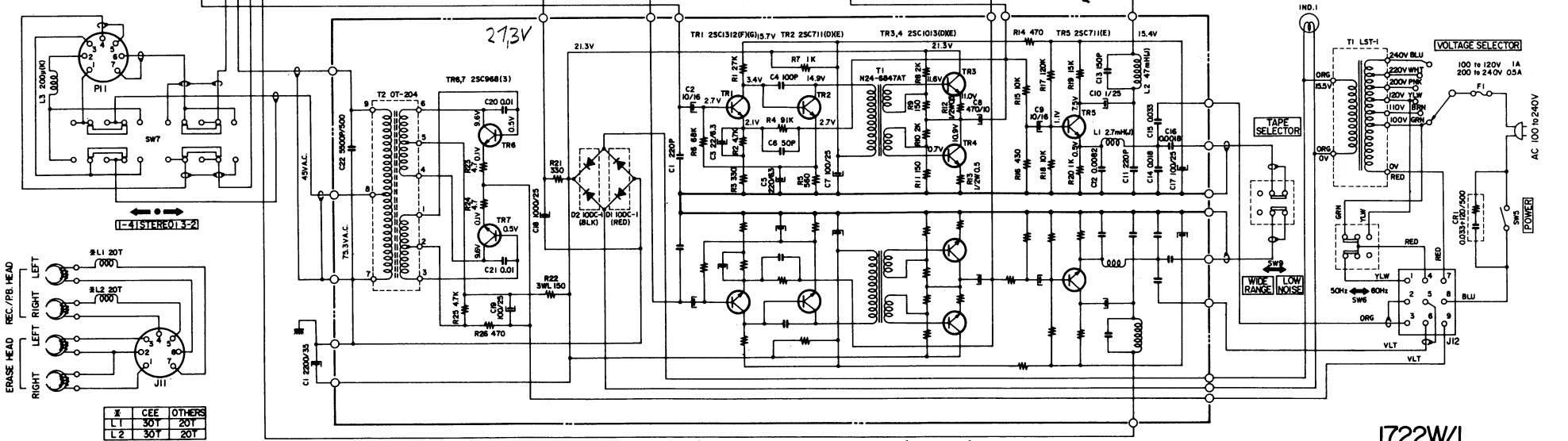
I722W/L



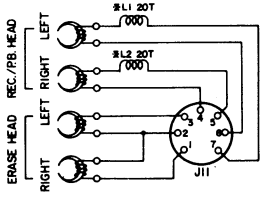
PRE AMP. P.C. BOARD (LS-5209)



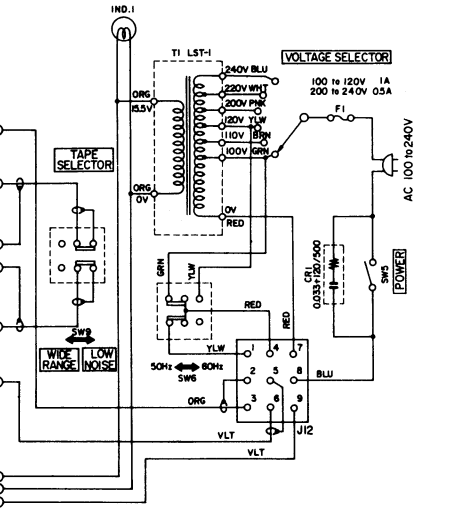
NOTE
UNLESS OTHERWISE SPECIFIED
ALL RESISTORS IN Ω (1/4 W/1)
ALL CAPACITORS IN μ F (50V/1V)
POWER TRANSFORMER BLOCK & MOTOR BLOCK ARE DIFFERENT
ACCORDING TO AREA SHOWN AS OTHER SCHEMATIC DIAGRAM



POWER AMP. & POWER SUPPLY P.C. BOARD (LS-5207)



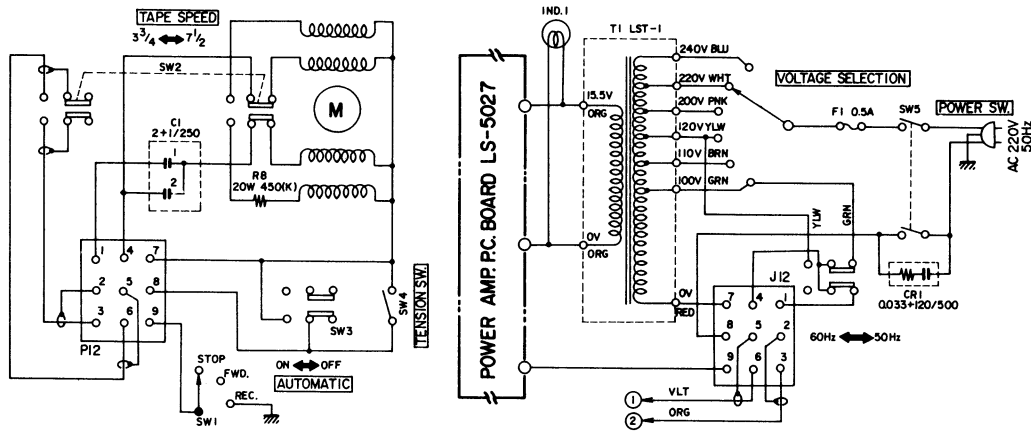
	CEE	OTHERS
L1	30T	20T
L2	30T	20T



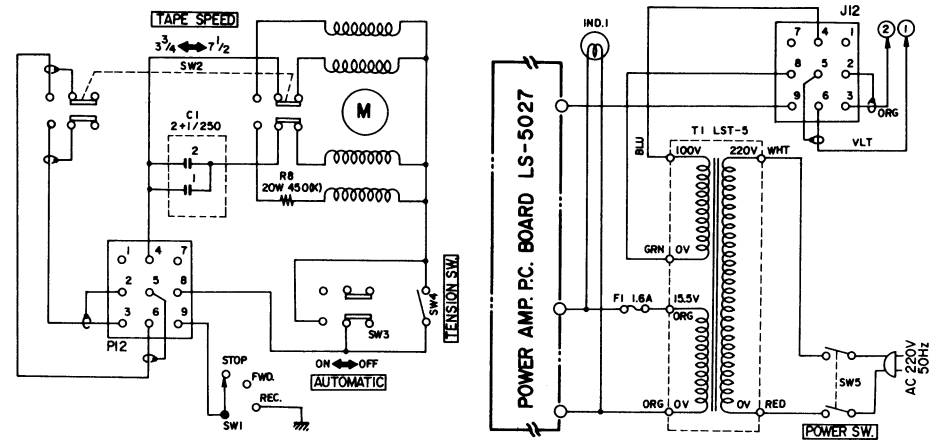
I722W/L
SCHEMATIC DIAGRAM
NO. 2-1 I481254A

16729

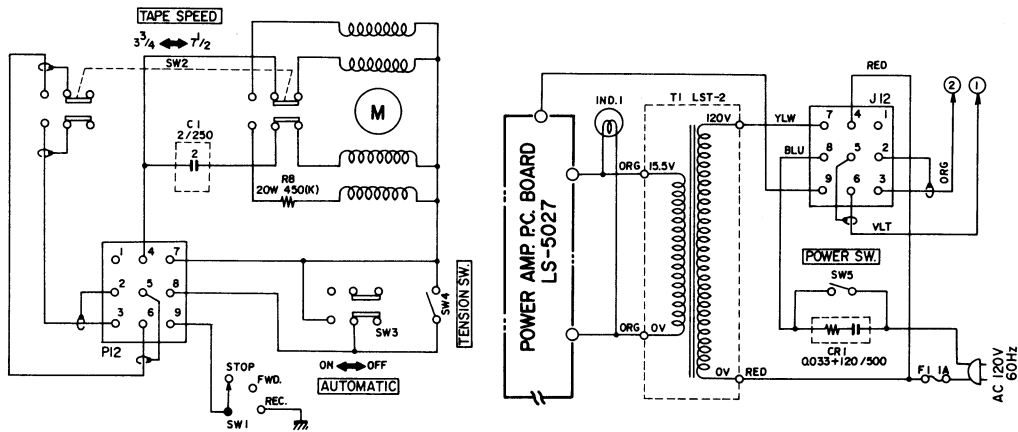
1722W/L



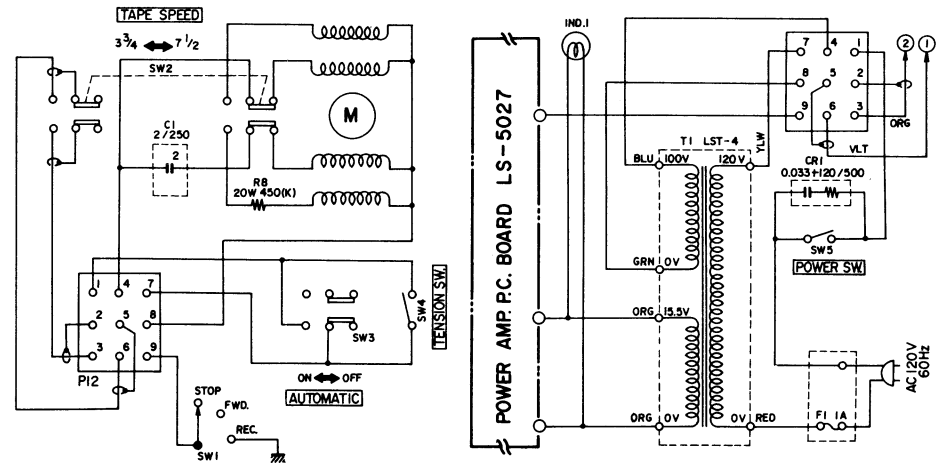
WG 1722W(L)



CEE 1722W(L)



AAL 1722W



CSA 1722W