

Akai TAPE DECK

I722W/L

LEFT

LINE IN

MIC PHONO

J1

J2

J3

J4

J5

J6

J7

J8

J9

J10

J11

J12

J13

J14

J15

J16

J17

J18

J19

J20

J21

J22

J23

J24

J25

J26

J27

J28

J29

J30

J31

J32

J33

J34

J35

J36

J37

J38

J39

J40

J41

J42

J43

J44

J45

J46

J47

J48

J49

J50

J51

J52

J53

W	CEE	OTHERS
L1	30T	20T
L2	30T	20T

PRE AMP. P.C. BOARD (LS-5209)

VOLUME VR1a 50KIA

TONE VR1b 50KIB

LEFT

SPEAKER

SP1

EXT-SR

J6

HEAD PHONE

J7

EXT-SR

J9

SPEAKER

SP2

RIGHT

VOLUME VR2a 50KIA

TONE VR2b 50KIB

MUTE/REC. MONI NORMAL PA

SW10

V.U. M1

V.U. M2

LINE OUT

J8

LINE OUT

J10

LINE OUT

RIGHT

VOLUME VR2a 50KIA

TONE VR2b 50KIB

REC. HEAD

TR1 25C1312(F)G13.7V

TR2 25C711(D)X

TR3,4 25C10130(XE)

TR5 25C711(E)

TR6 25C968(S)

TR7 25C968(S)

TR8 25C968(S)

TR9 25C968(S)

TR10 25C968(S)

TR11 25C968(S)

TR12 25C968(S)

TR13 25C968(S)

TR14 25C968(S)

TR15 25C968(S)

TR16 25C968(S)

TR17 25C968(S)

TR18 25C968(S)

TR19 25C968(S)

TR20 25C968(S)

TR21 25C968(S)

TR22 25C968(S)

TR23 25C968(S)

TR24 25C968(S)

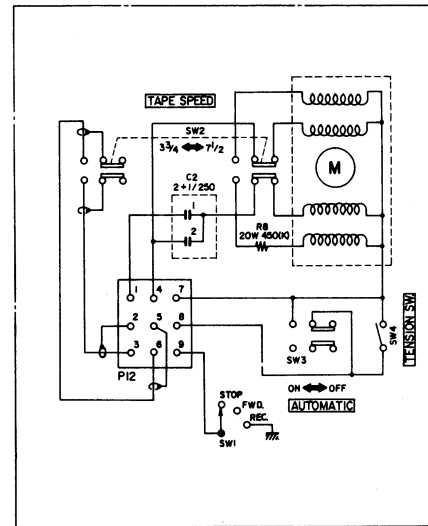
TR25 25C968(S)

TR26 25C968(S)

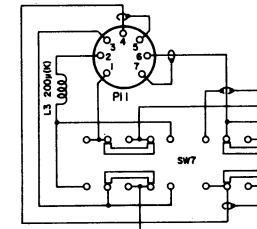
TR27 25C968(S)

TR28 25C968(S)

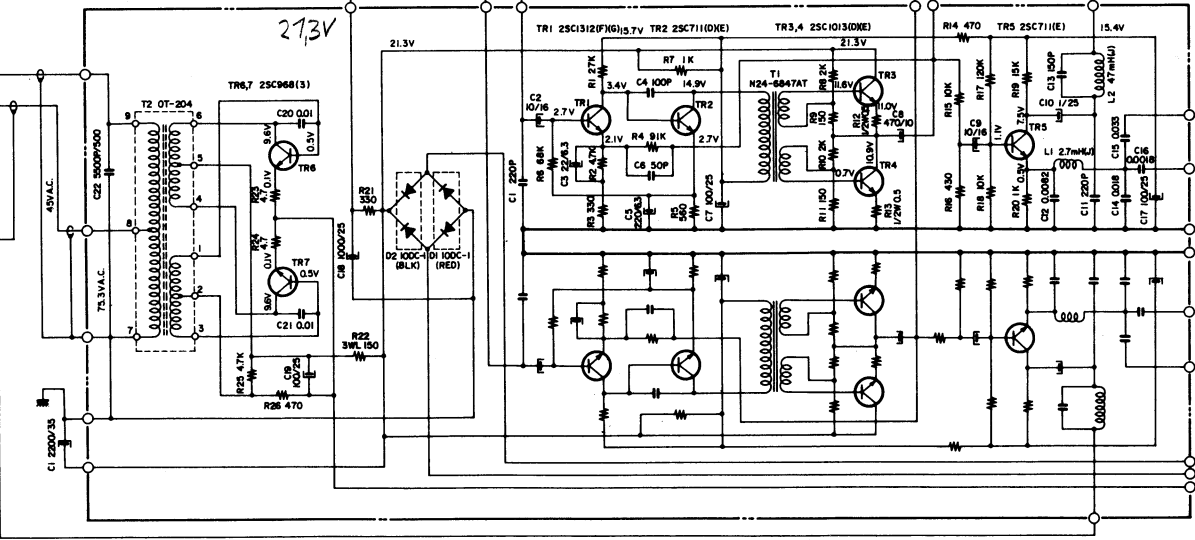
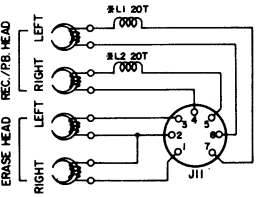
TR29 25C968(S)



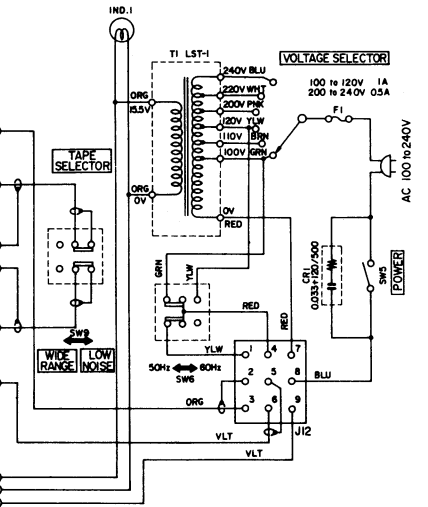
NOTE
UNLESS OTHERWISE SPECIFIED
ALL RESISTORS IN Ω (1/4 W/1)
ALL CAPACITORS IN μ F (50V/1V)
POWER TRANSFORMER BLOCK & MOTOR BLOCK ARE DIFFERENT
ACCORDING TO AREA SHOWN AS OTHER SCHEMATIC DIAGRAM



1-4 STEREO 3-2



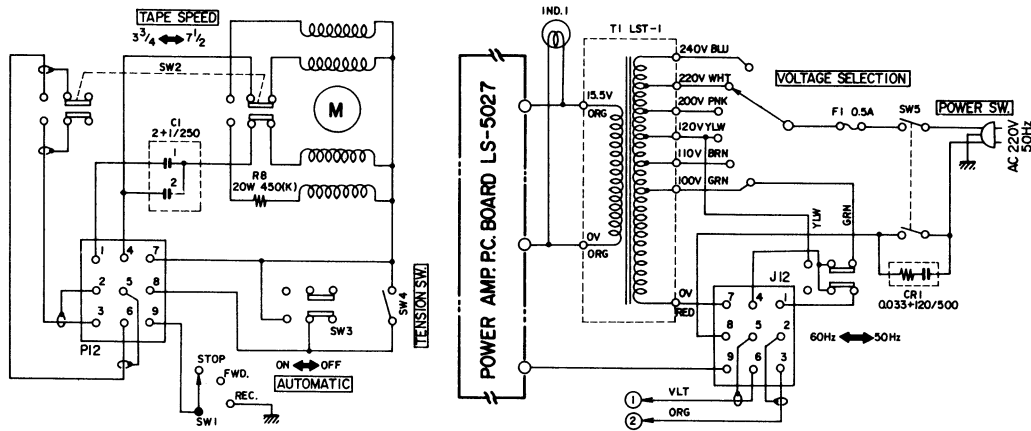
POWER AMP. & POWER SUPPLY P.C. BOARD (LS-5207)



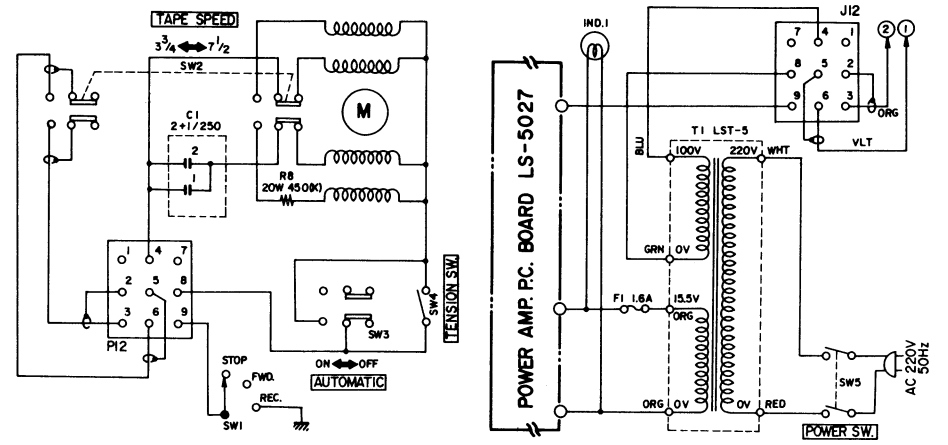
I722W/L
SCHEMATIC DIAGRAM
NO. 2-1 I481254A

16729

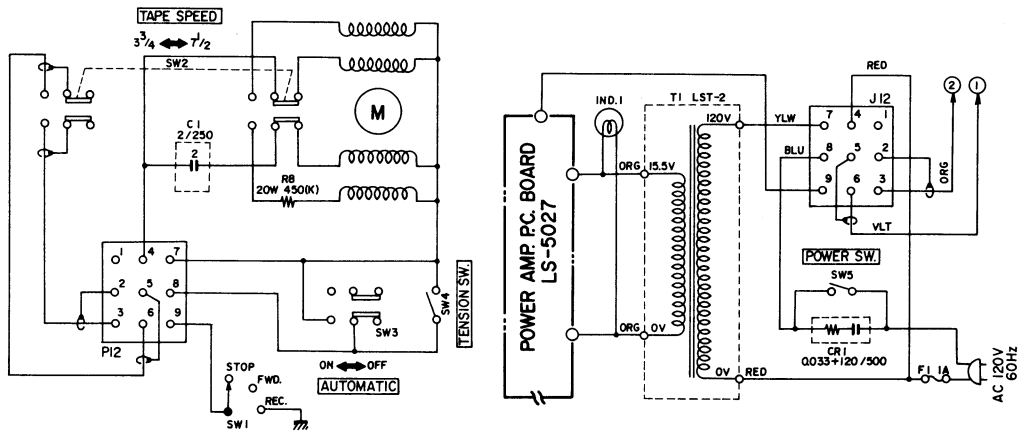
1722W/L



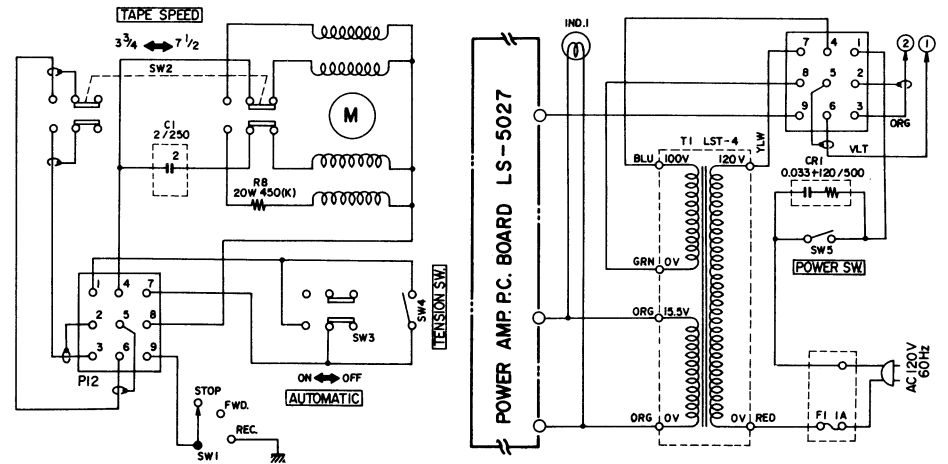
WG 1722W(L)



CEE 1722W(L)



AAL 1722W



CSA 1722W