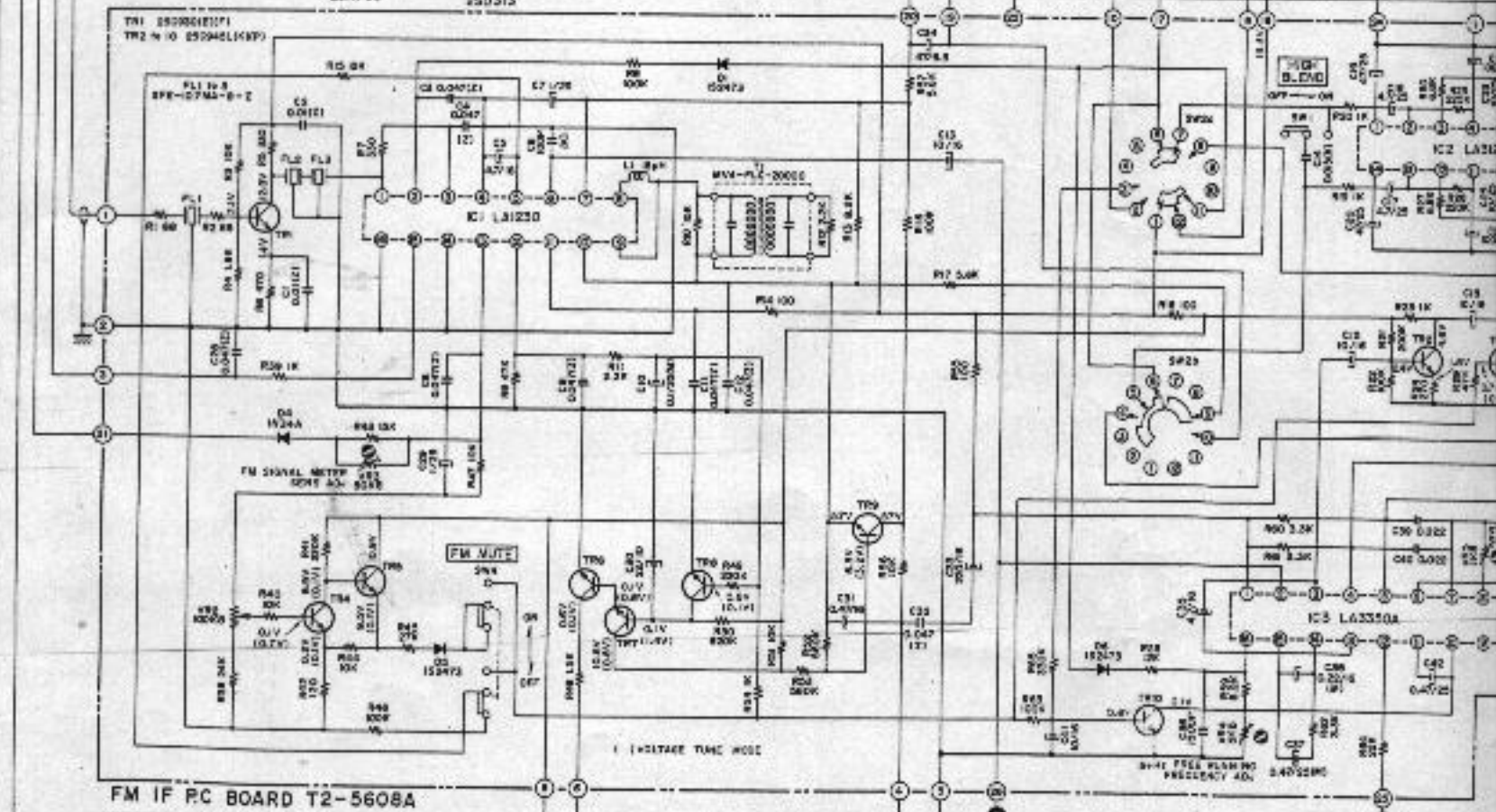
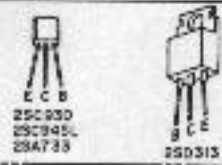
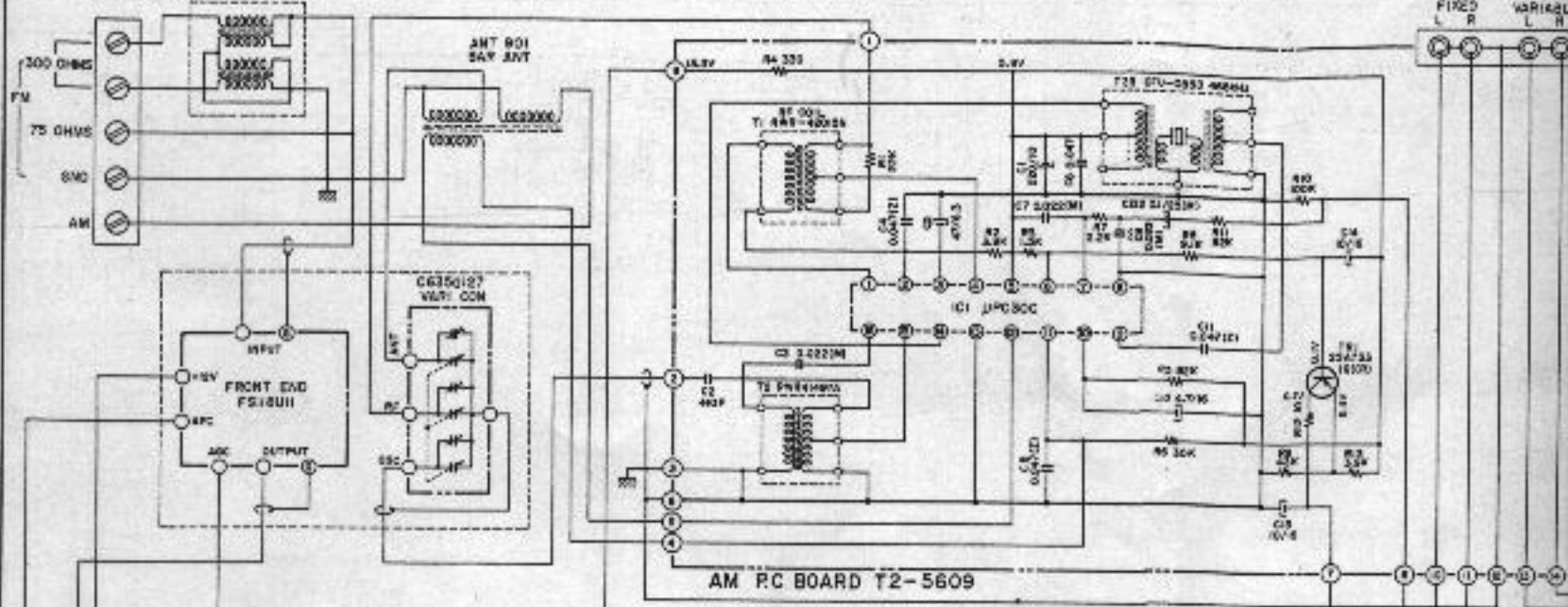


AT-2600

T2  
75 OHMS - 300 OHMS

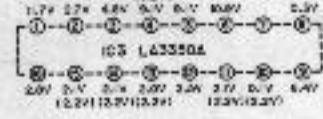
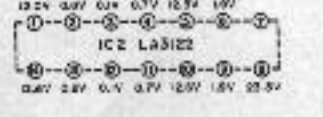
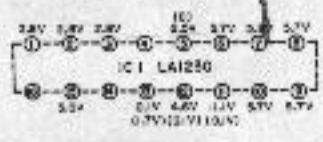
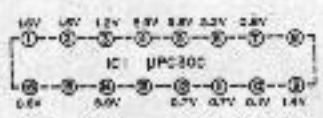
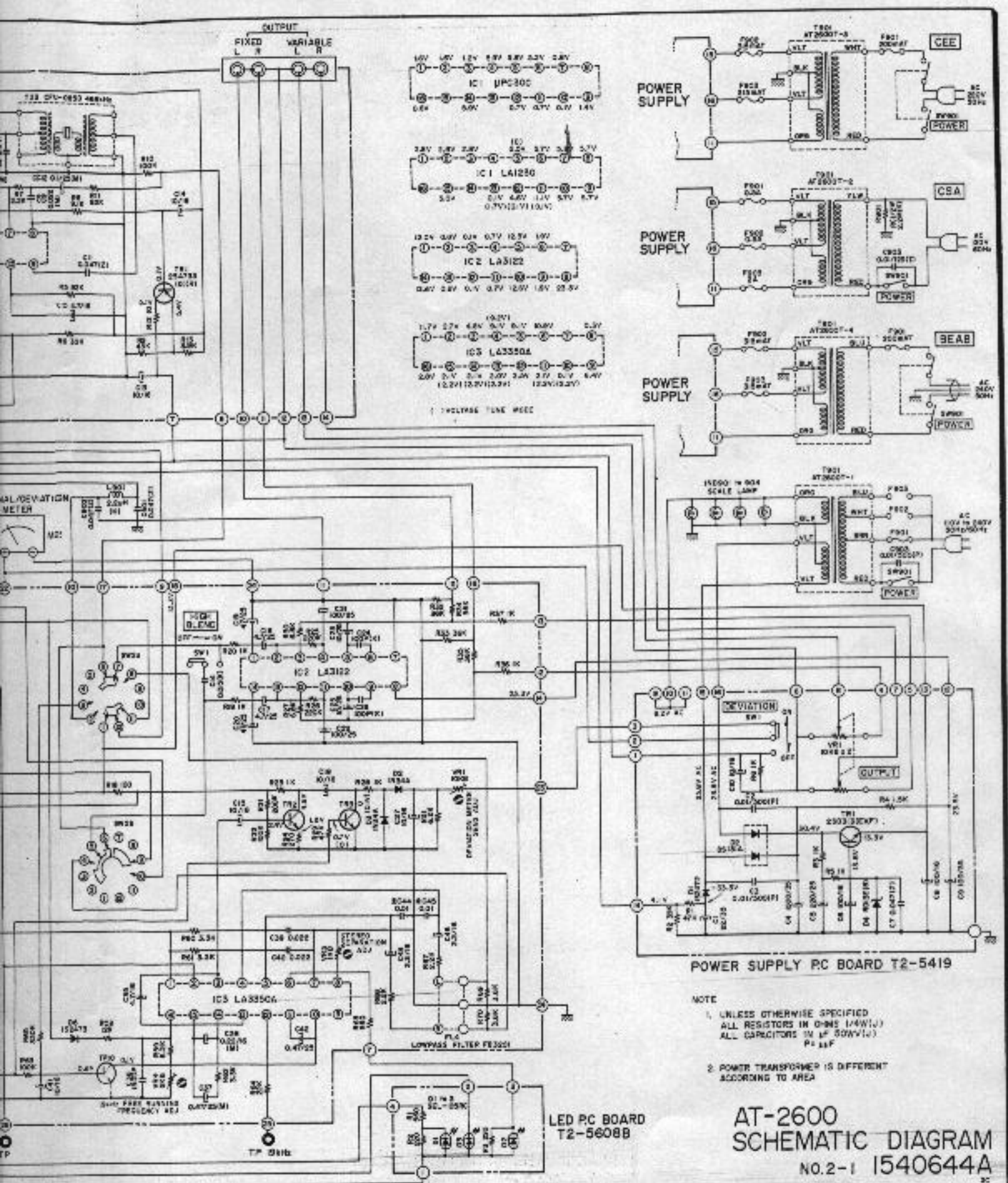


SW2 SELECTOR

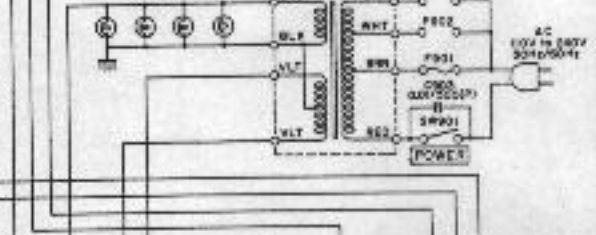
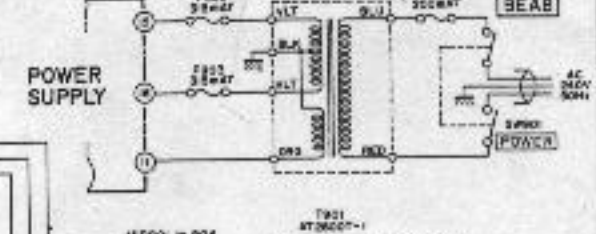
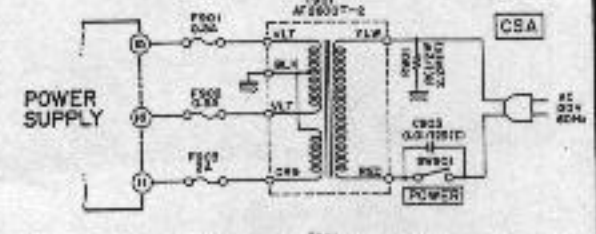
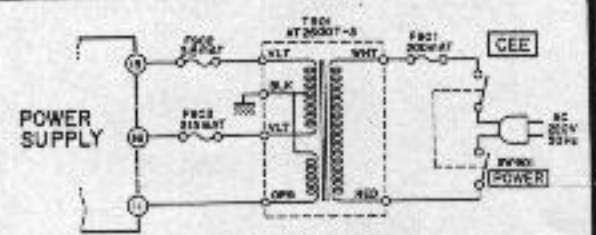
NOW MODE

FM AUTO

FM MD1C



1: VOLTAGE TUNE WHEEL



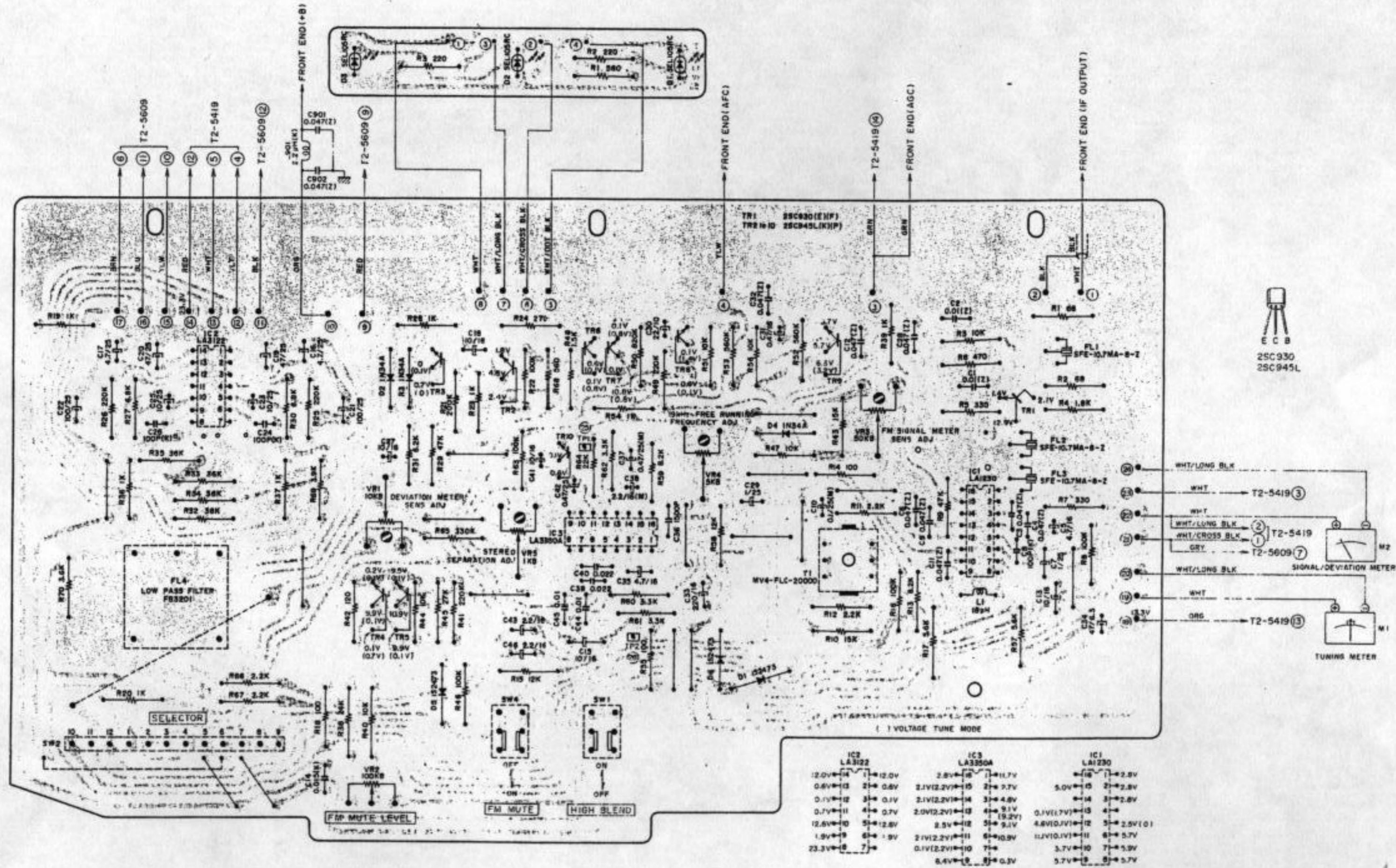
POWER SUPPLY PC BOARD T2-5419

NOTE  
 1. UNLESS OTHERWISE SPECIFIED  
 ALL RESISTORS IN OHMS (1/4W/1%)  
 ALL CAPACITORS IN μF (50WV/1%)  
 P = 25°F  
 2. POWER TRANSFORMER IS DIFFERENT  
 ACCORDING TO AREA

AT-2600  
 SCHEMATIC DIAGRAM  
 NO.2-1 1540644A

LED PC BOARD  
 T2-5608B

2. COMPOSITION OF VARIOUS P.C BOARDS  
 1) FM IF P.C BOARD T2-5608A & LED P.C BOARD T2-5608B



ANTENNA

OUTPUT  
FIXED VARIABLE  
LEFT  
RIGHT

AKAI ELECTRIC CO., LTD.  
MODEL NUMBER AT-2600  
MADE IN JAPAN  
10V2  
AKAI ELECTRIC CO., INC. 1973

J 321833

CERTIFICATION  
THIS EQUIPMENT COMPLIES AS OF DATE OF  
REGISTRATION NO. IN THE FCC RULES AND  
REGULATIONS PART 15. SUBPART B.

SHOCK HAZARD—DO NOT OPEN!  
RISQUE Et CHOC—NE PAS OUVRIER!  
SCHÜSSERHAUSGEFAHR—NICHT ÖFFNEN!

AC  
120V  
60Hz  
3W





