

A

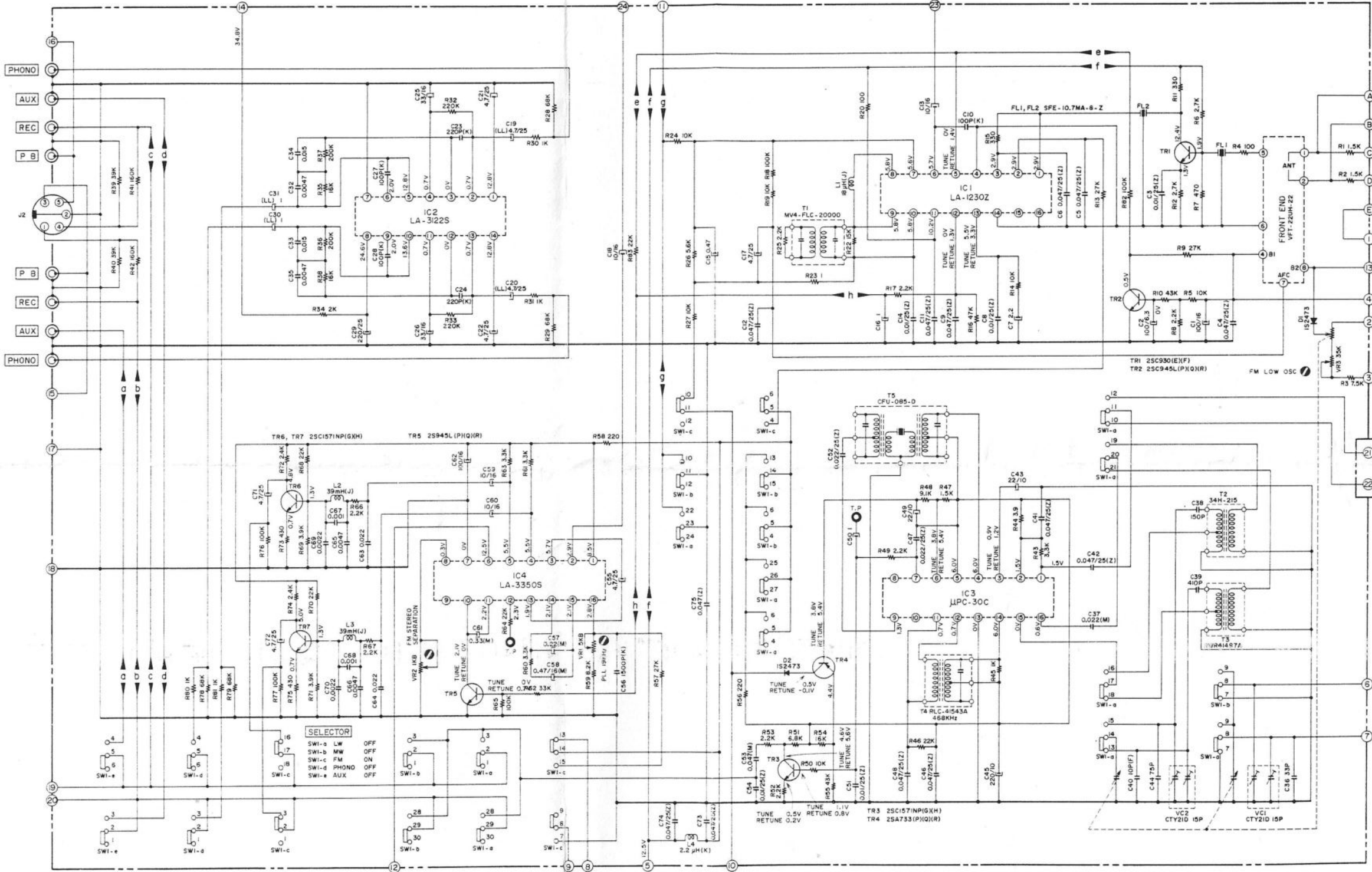
B

C

D

RIGHT
J1

LEFT
J1



MULTI FUNCTION P.C BOARD AA-5159A

- E C B
 2SA733
 2SC930
 2SC945L
 2SC1571NP

NOTE
 UNLESS OTHERWISE SPECIFIED
 ALL RESISTORS IN OHMS (1/4W(J))
 ALL CAPACITORS IN μF (50WV(J))
 (LL) INDICATES LOW LEAKAGE CAPACITORS

AA-1015PL
 MULTI FUNCTION
 SCHEMATIC DIAGRAM
 NO. 5-4 1561247A

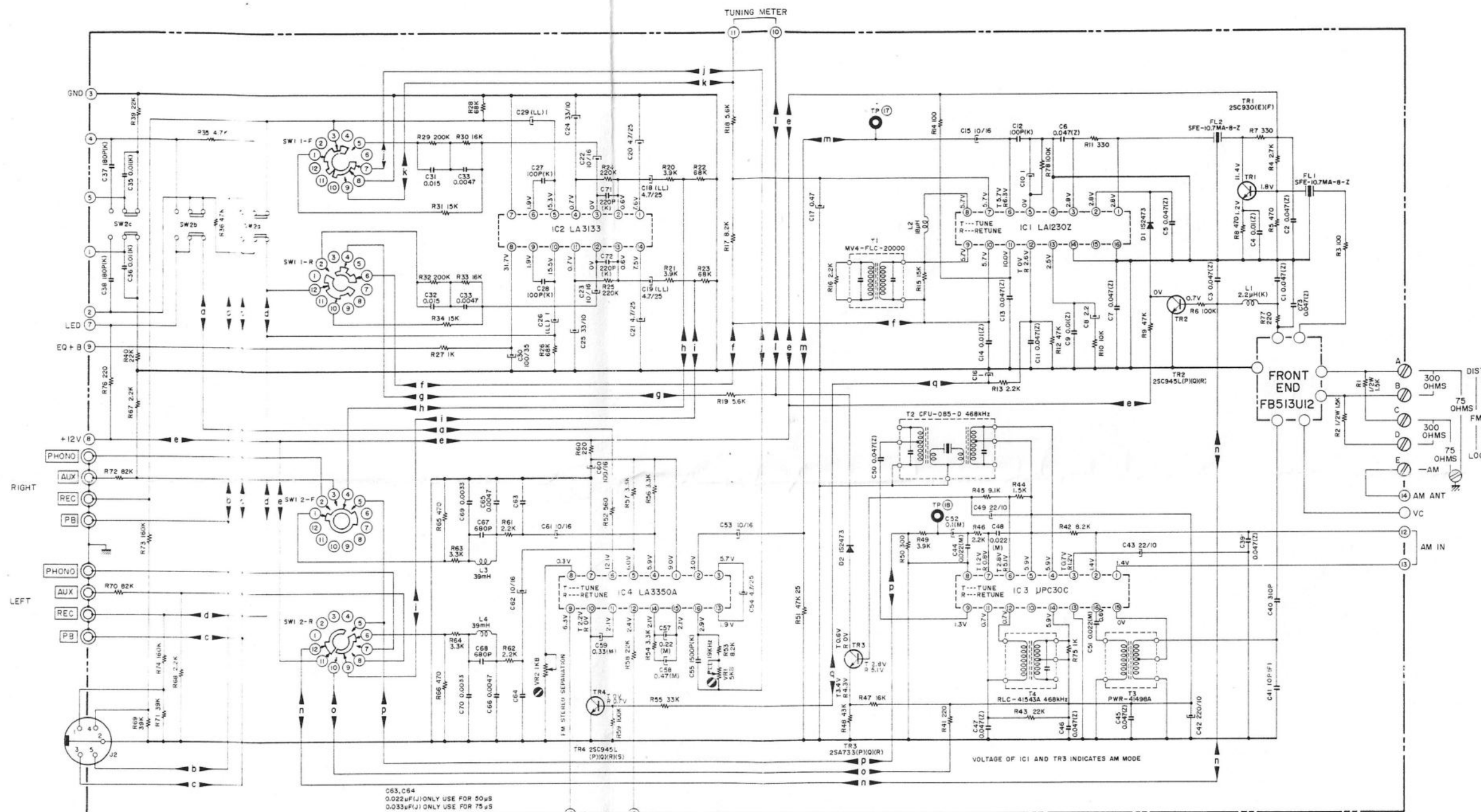
JUMPER P.C BOARD
 AA-5179B

A

B

C

D



C63, C64
 0.022µF(J) ONLY USE FOR 50µS
 0.033µF(J) ONLY USE FOR 75µS

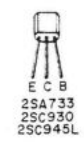
6.3V(TP) (9KHz)(TP)

MULTI FUNCTION PC BOARD AA-5105

SWITCH POSITIONS

- SW1 (SELECTOR)
- (1) AM
- (2) FM
- (3) PHONO
- (4) AUX

- SW2a (TAPE MONITOR) OFF
- SW2b (MODE) STEREO
- SW2c (LOUDNESS) OFF

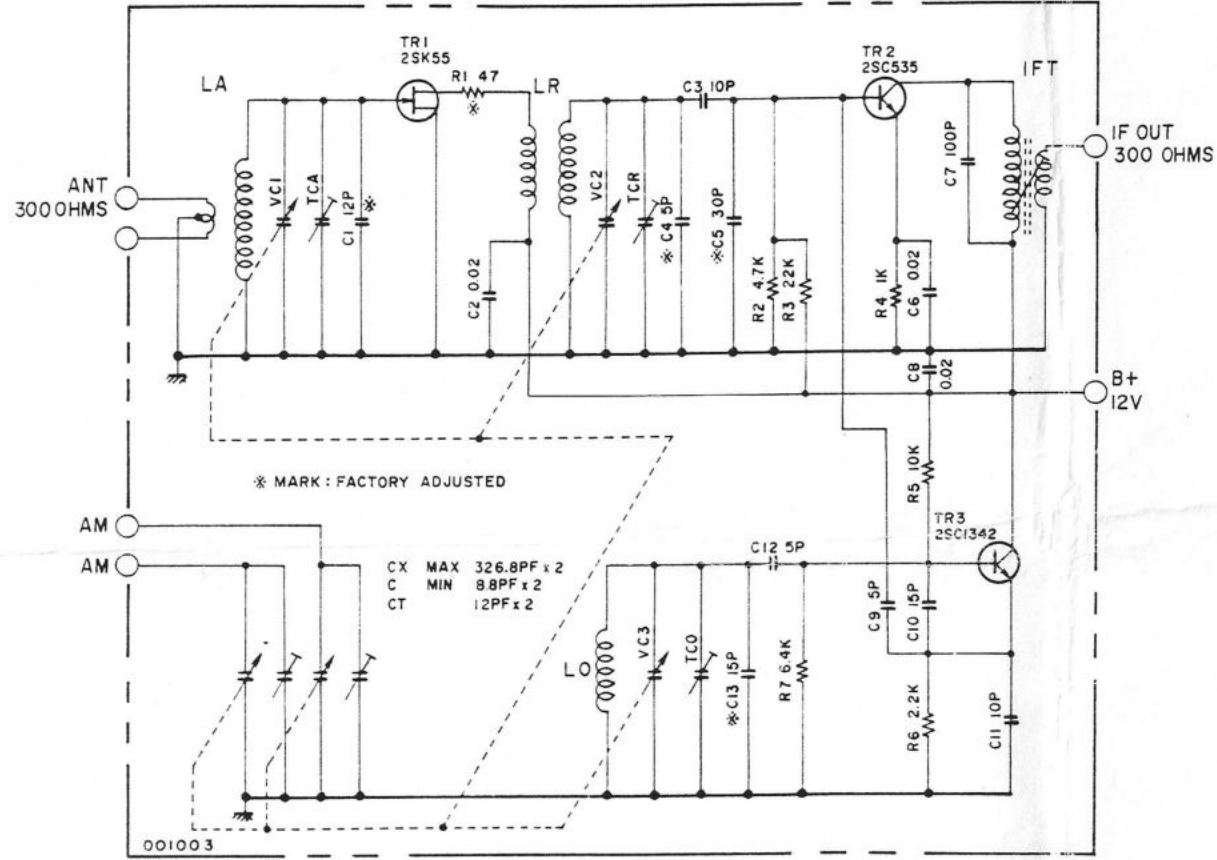


NOTE

- 1 UNLESS OTHERWISE SPECIFIED
 ALL RESISTORS OHMS 1/4W(J)
 ALL CAPACITORS IN µF 50WV(J)
- 2 (LL) INDICATES LOW LEAKAGE CAPACITORS

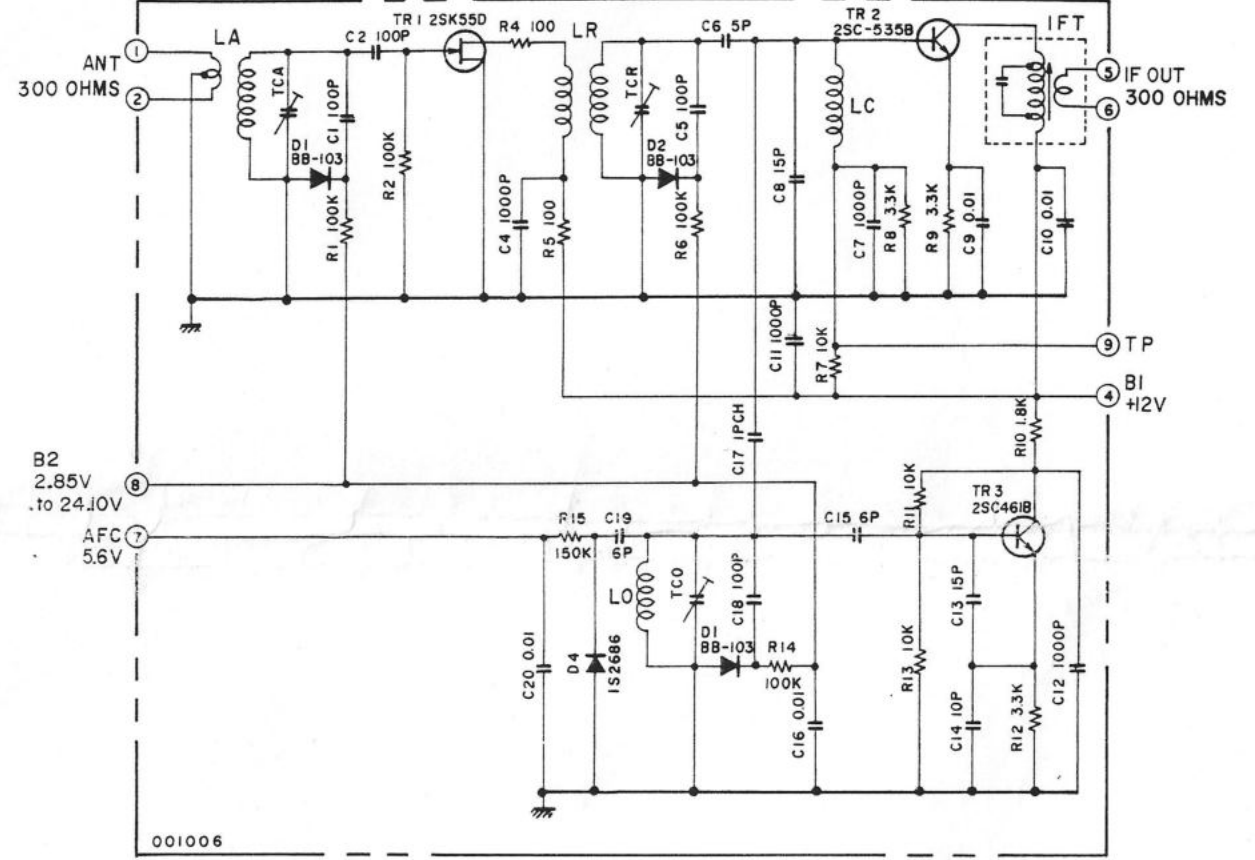
AA-1015
 MULTI FUNCTION
 SCHEMATIC DIAGRAM
 NO.5-3 1561246A

AA-1015/PL



FB513UI2

AA-1015



001006

VFT-22UH-22

AA-1015PL

NOTE
UNLESS OTHERWISE SPECIFIED
ALL RESISTORS IN OHMS
ALL CAPACITORS IN μ F

AA-1015/PL
FRONT END
SCHEMATIC DIAGRAM
NO. 5-5 1561248A