

AKAI

AA1200

---

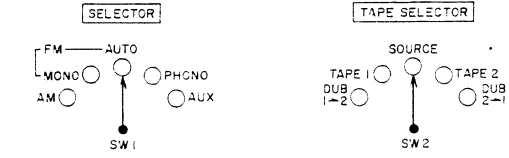
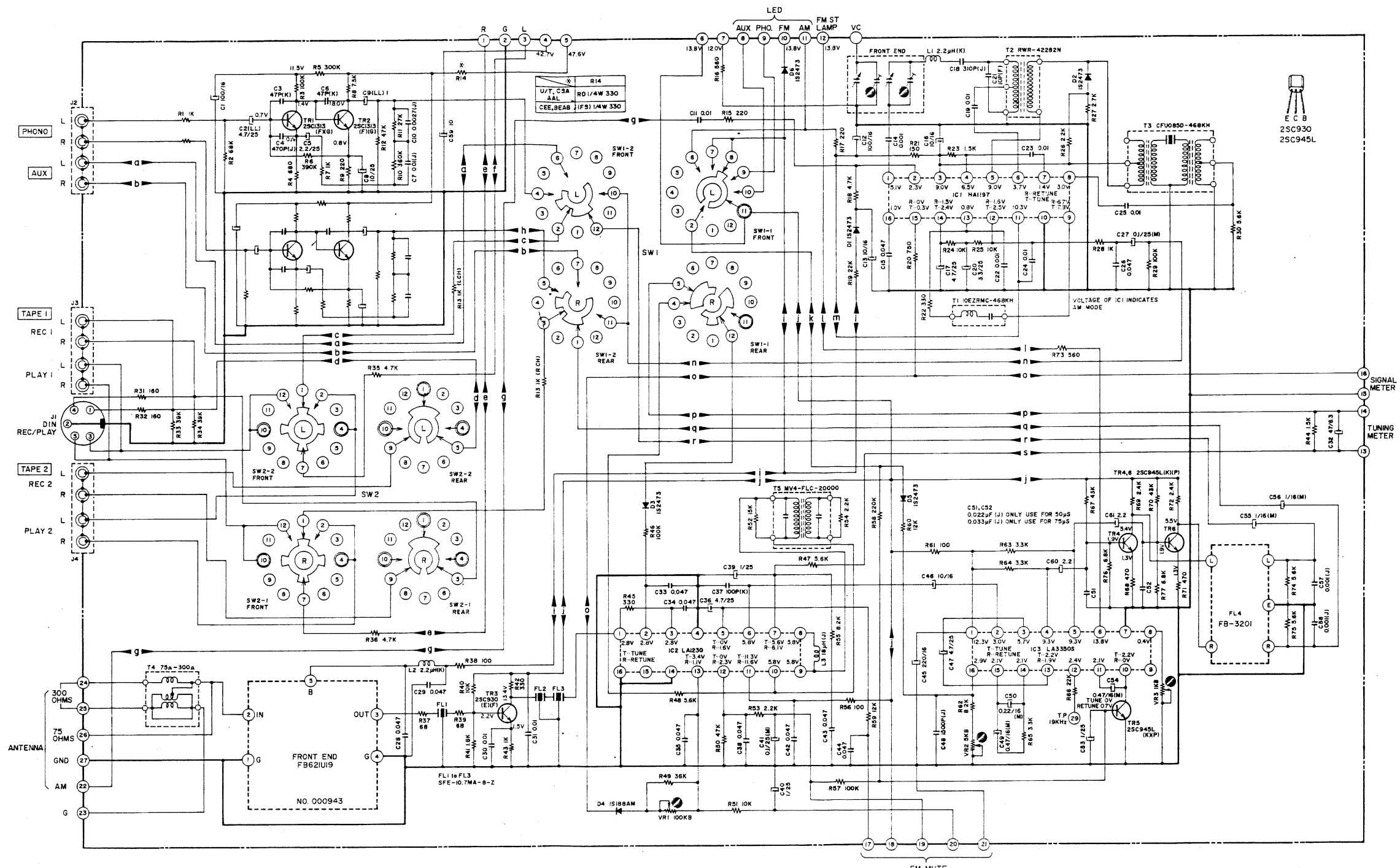
MODEL

---

SERVICE MANUAL

---

AA-1175,1200

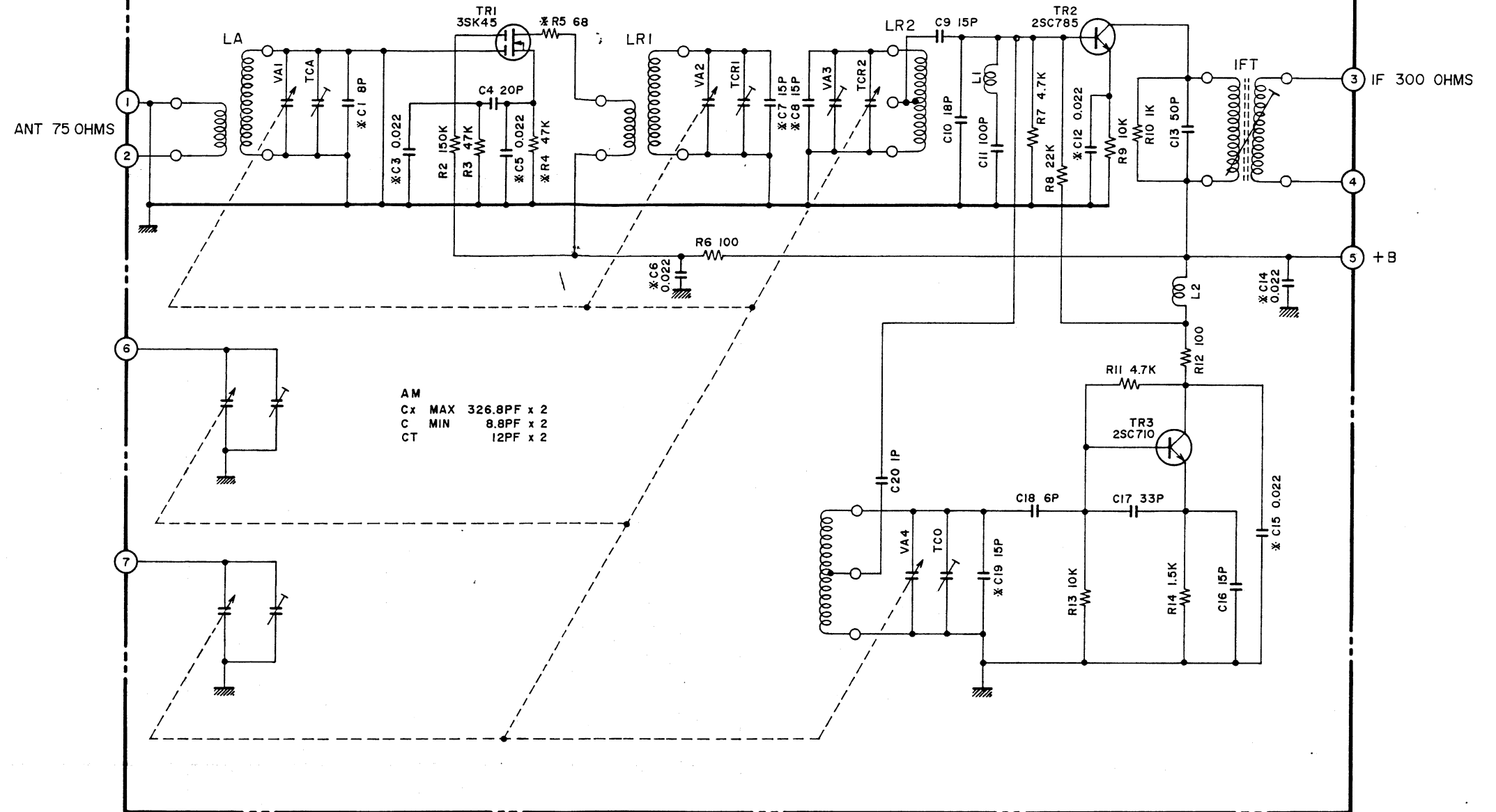


NOTE  
 UNLESS OTHERWISE SPECIFIED  
 AAL RESISTORS IN OHMS 1/4W (J)  
 AAL CAPACITORS IN  $\mu$ F 50WV (Z)  
 (LL) INDICATES LOW LEAKAGE CAPACITORS

AA-1175,1200  
 MULTIFUNCTION  
 SCHEMATIC DIAGRAM  
 NO.4-3 1560618A

000942C

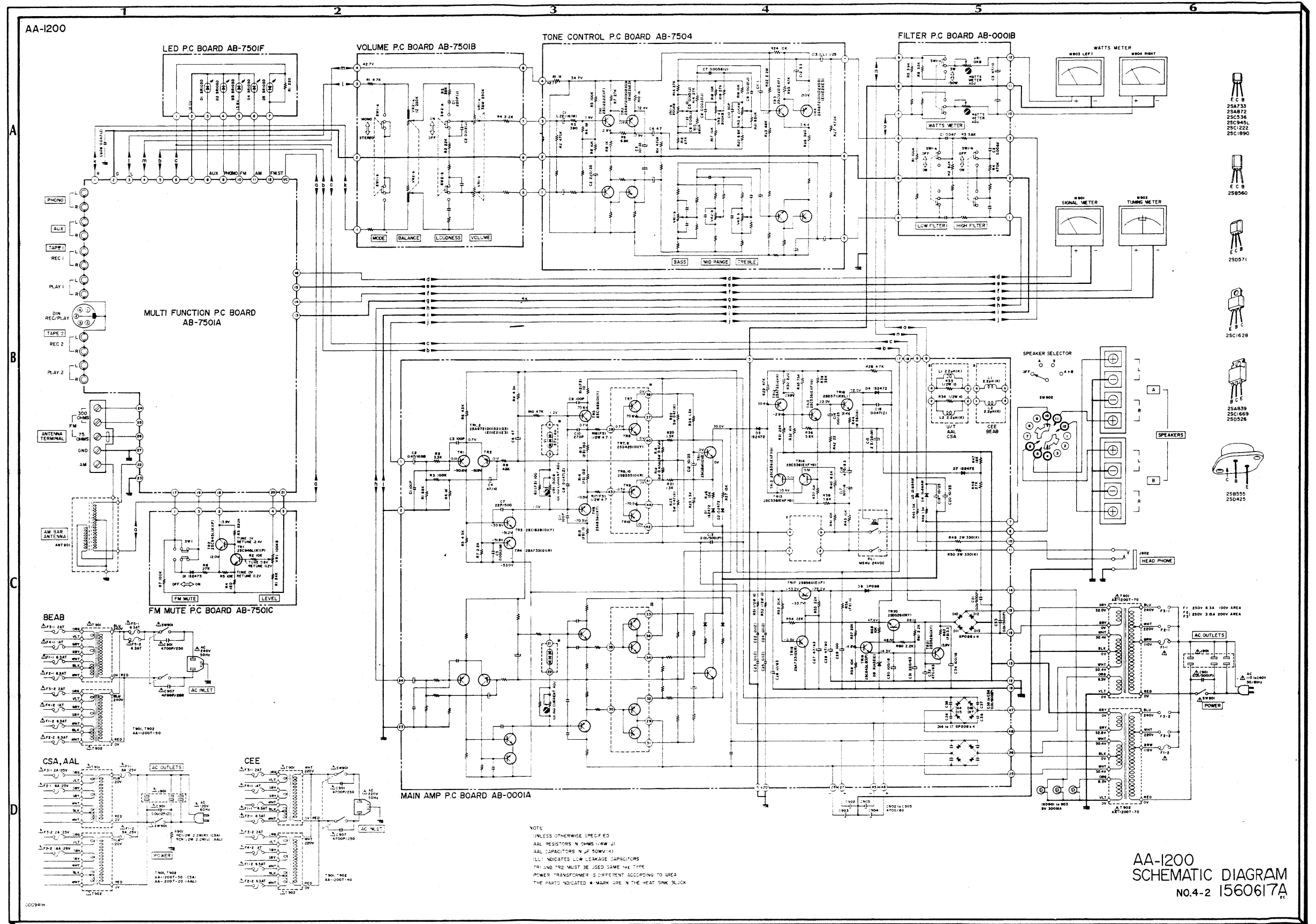
AA-1175,1200



NOTE  
 1. UNLESS OTHERWISE SPECIFIED  
 ALL RESISTORS IN OHMS  
 ALL CAPACITORS IN  $\mu$ F  
 2. \* MARK: FACTORY ADJUSTED

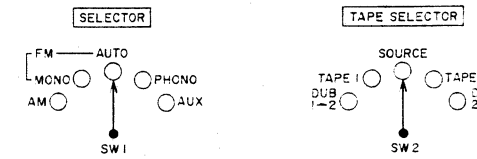
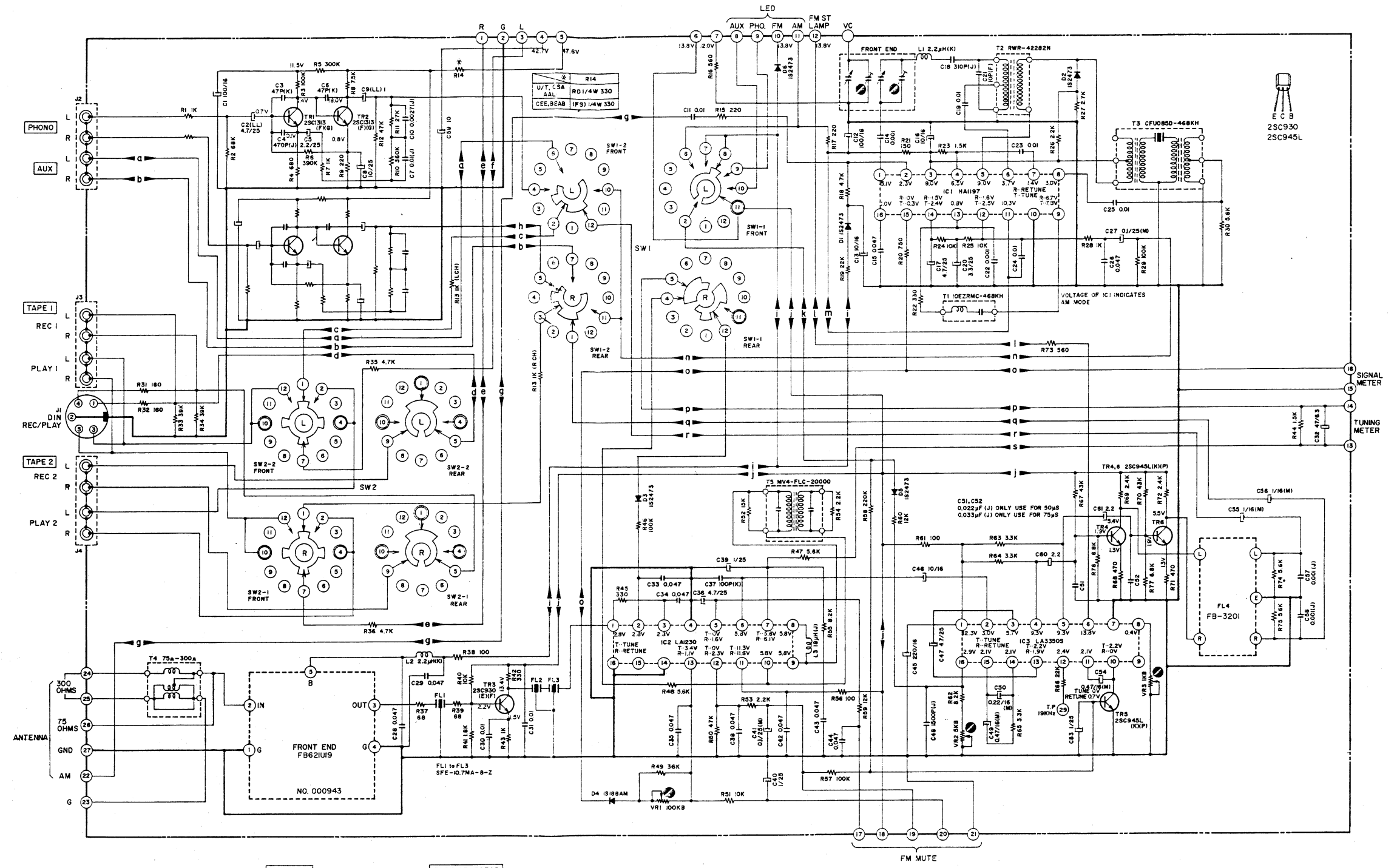
AA-1175,1200  
 FRONT END  
 SCHEMATIC DIAGRAM  
 NO. 4-4 1560619A

000943



- ECB
- 25A733
- 25A872
- 25C536
- 25C945L
- 25C1222
- 25C1890
- 25B060
- 25D571
- 25C1628
- 25A839
- 25C1668
- 25D526
- 25B555
- 25D425

AA-1175, I200

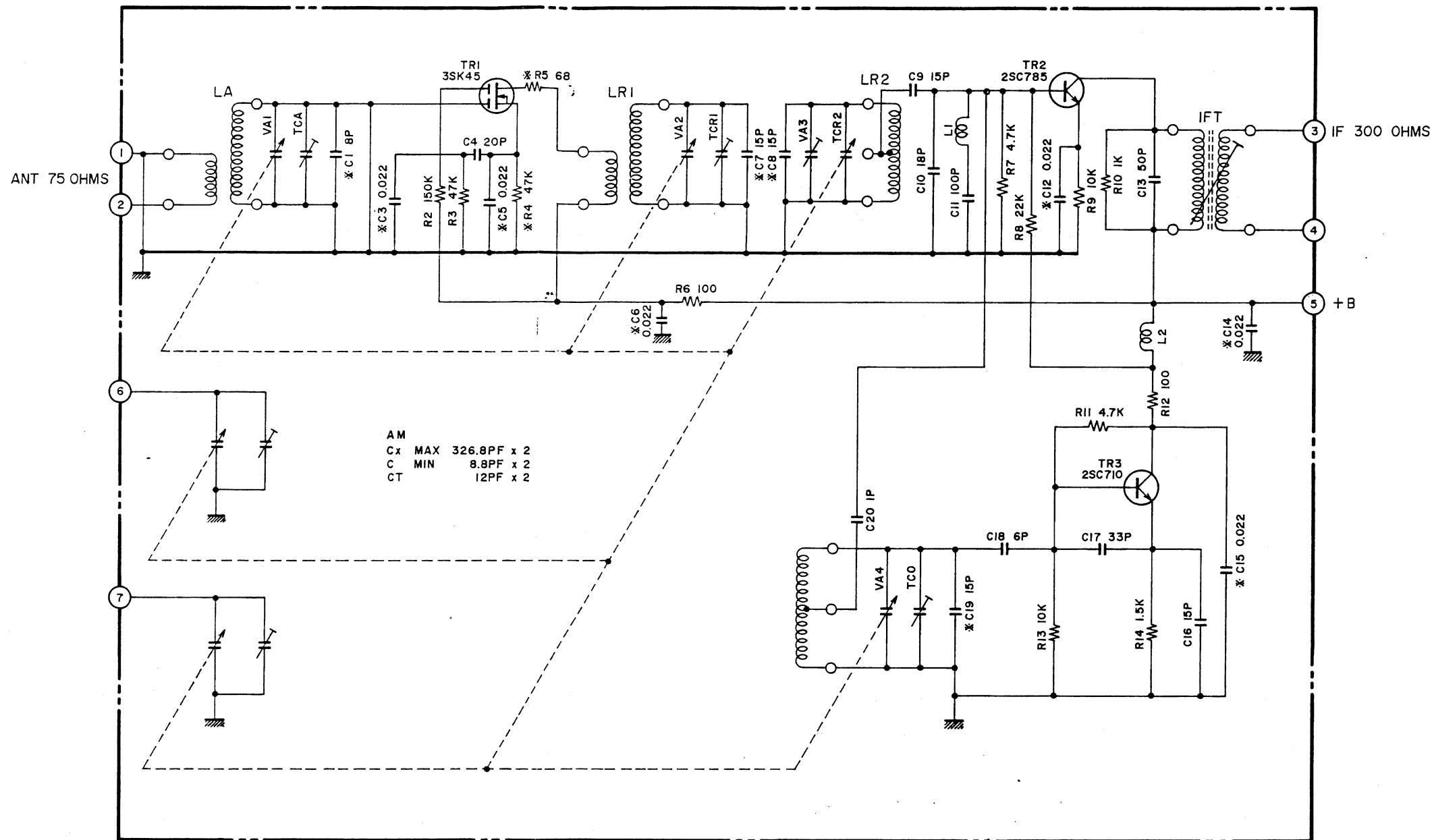


NOTE  
UNLESS OTHERWISE SPECIFIED  
AAL RESISTORS IN OHMS 1/4W (J)  
AAL CAPACITORS IN  $\mu$ F 50WV (Z)  
(LL) INDICATES LOW LEAKAGE CAPACITORS

AA-1175, I200  
MULTIFUNCTION  
SCHEMATIC DIAGRAM  
No. 4-3 1560618A

0009\*2C

AA-1175,1200



AM  
 Cx MAX 326.8PF x 2  
 C MIN 8.8PF x 2  
 CT 12PF x 2

NOTE  
 1. UNLESS OTHERWISE SPECIFIED  
 ALL RESISTORS IN OHMS  
 ALL CAPACITORS IN  $\mu$ F  
 2. \* MARK: FACTORY ADJUSTED

AA-1175,1200  
 FRONT END  
 SCHEMATIC DIAGRAM  
 NO. 4-4 1560619A

000943