

AKAI

AA1200

---

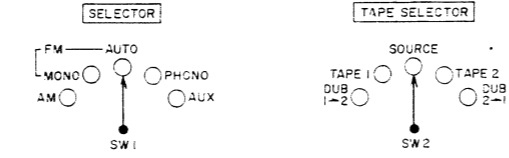
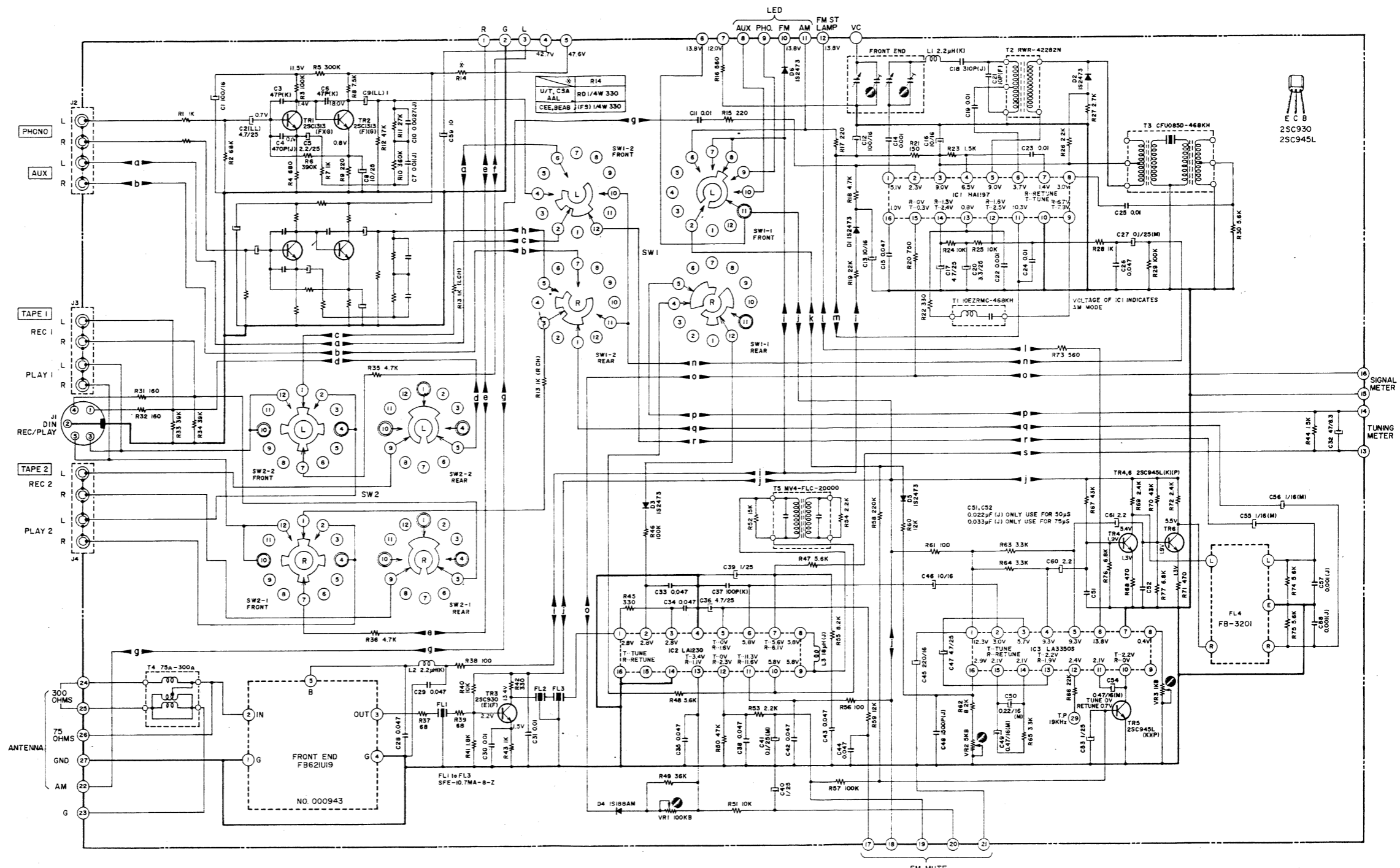
MODEL

---

SERVICE MANUAL

---

AA-1175,1200

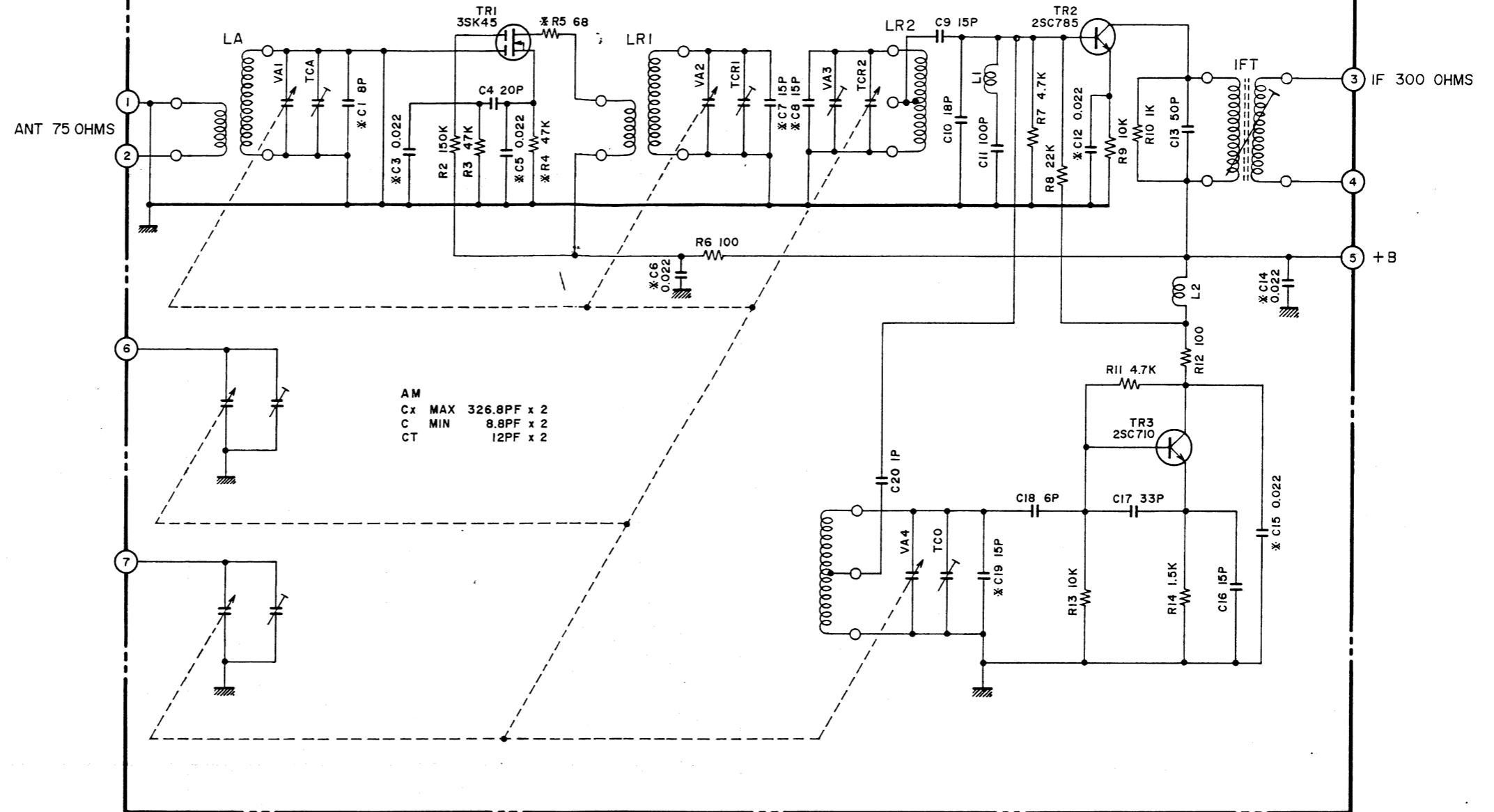


NOTE  
 UNLESS OTHERWISE SPECIFIED  
 AAL RESISTORS IN OHMS 1/4W (J)  
 AAL CAPACITORS IN  $\mu$ F 50WV (Z)  
 (LL) INDICATES LOW LEAKAGE CAPACITORS

AA-1175,1200  
 MULTIFUNCTION  
 SCHEMATIC DIAGRAM  
 NO.4-3 1560618A

000942C

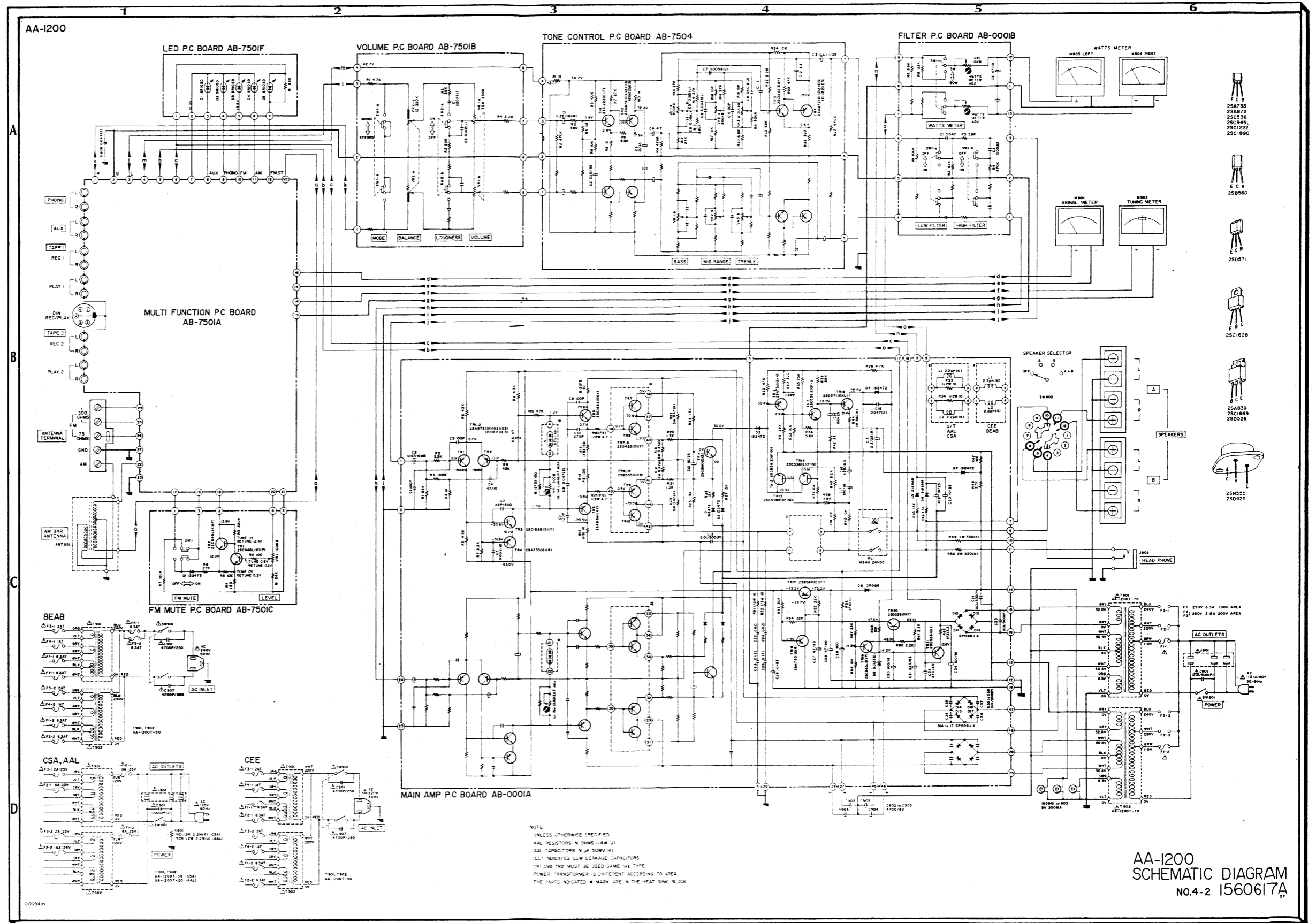
AA-1175,1200



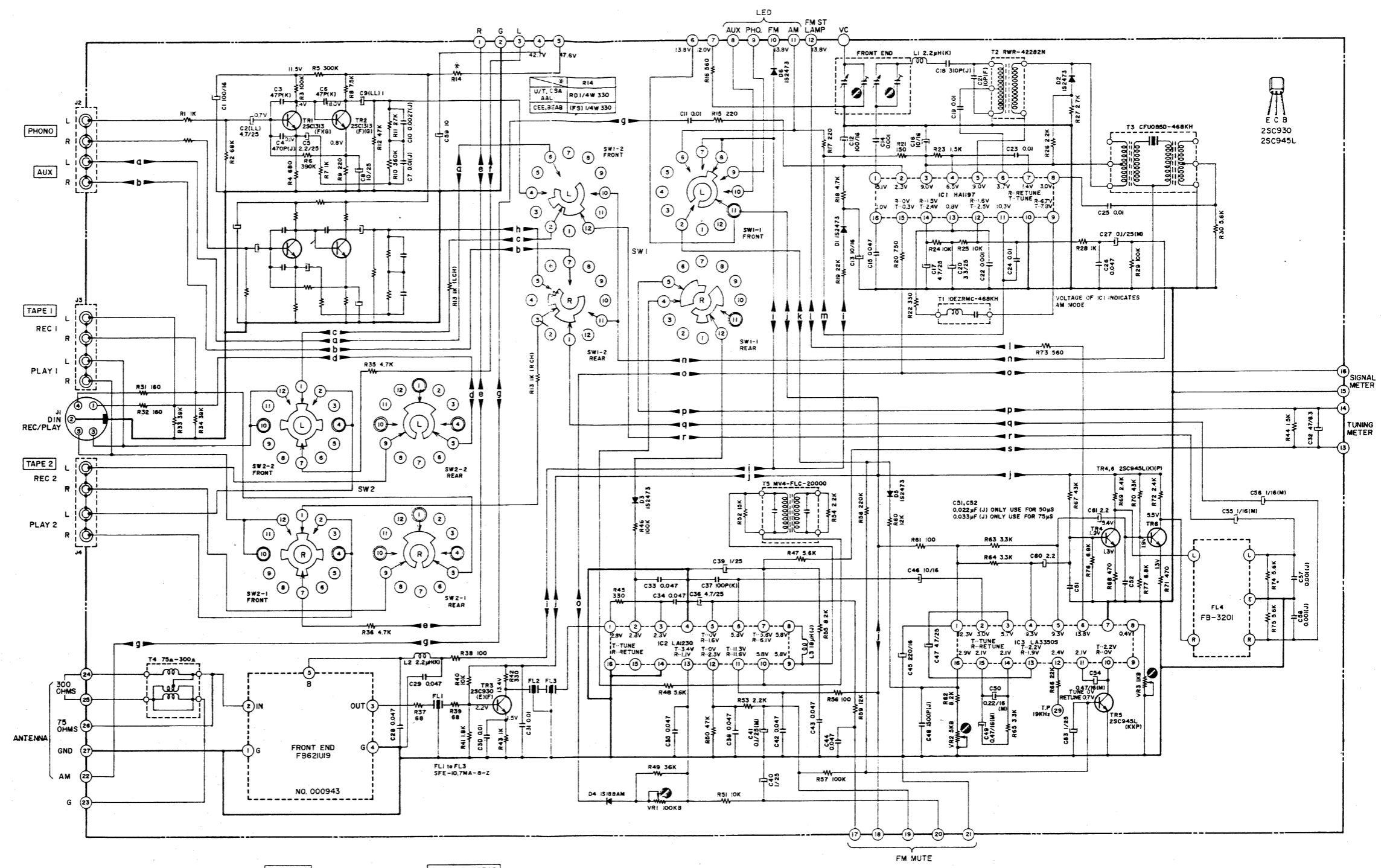
NOTE  
 1. UNLESS OTHERWISE SPECIFIED  
 ALL RESISTORS IN OHMS  
 ALL CAPACITORS IN  $\mu$ F  
 2. \* MARK: FACTORY ADJUSTED

AA-1175,1200  
 FRONT END  
 SCHEMATIC DIAGRAM  
 NO. 4-4 1560619A

000943



AA-1175, I200

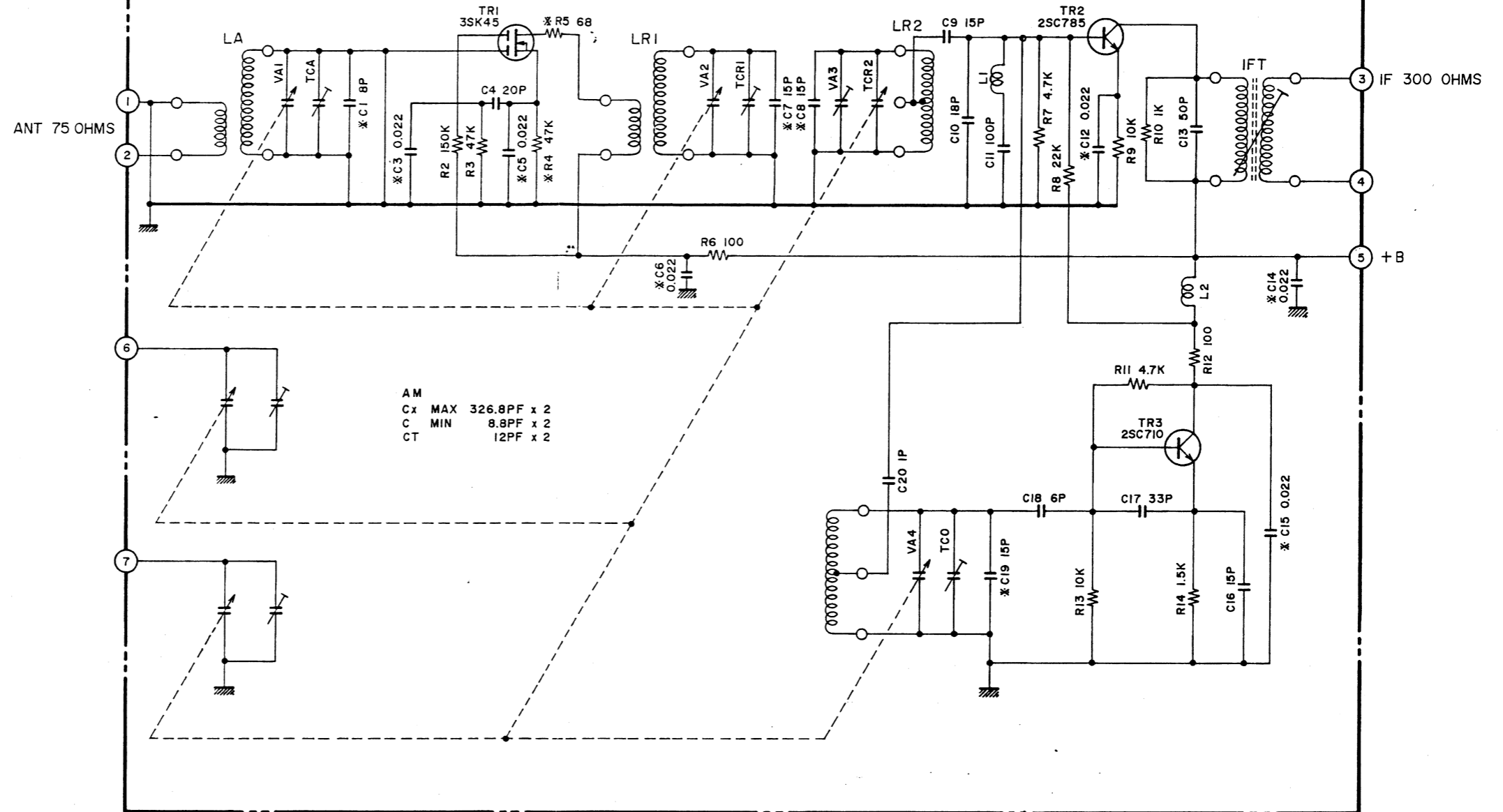


NOTE  
UNLESS OTHERWISE SPECIFIED  
AAL RESISTORS IN OHMS 1/4W (J)  
AAL CAPACITORS IN  $\mu$ F 50WV (Z)  
(LL) INDICATES LOW LEAKAGE CAPACITORS

AA-1175, I200  
MULTIFUNCTION  
SCHEMATIC DIAGRAM  
No. 4-3 1560618A

0009\*2C

AA-1175,1200



AM  
 Cx MAX 326.8PF x 2  
 C MIN 8.8PF x 2  
 CT 12PF x 2

NOTE  
 1. UNLESS OTHERWISE SPECIFIED  
 ALL RESISTORS IN OHMS  
 ALL CAPACITORS IN  $\mu$ F  
 2. \* MARK: FACTORY ADJUSTED

AA-1175,1200  
 FRONT END  
 SCHEMATIC DIAGRAM  
 NO. 4-4 1560619A

000943