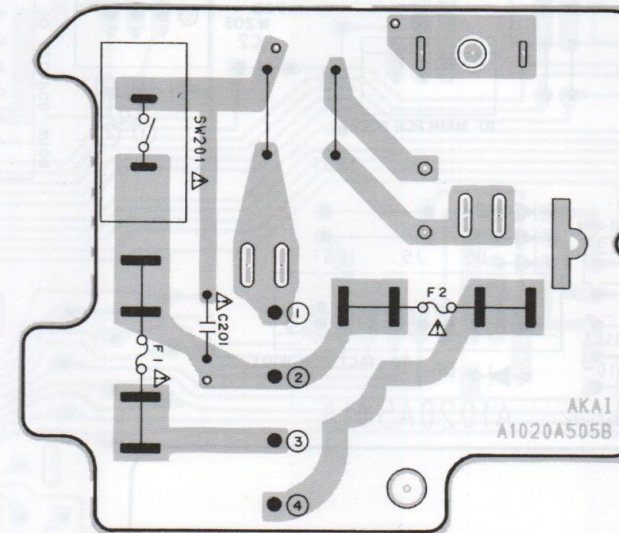


# AKAI

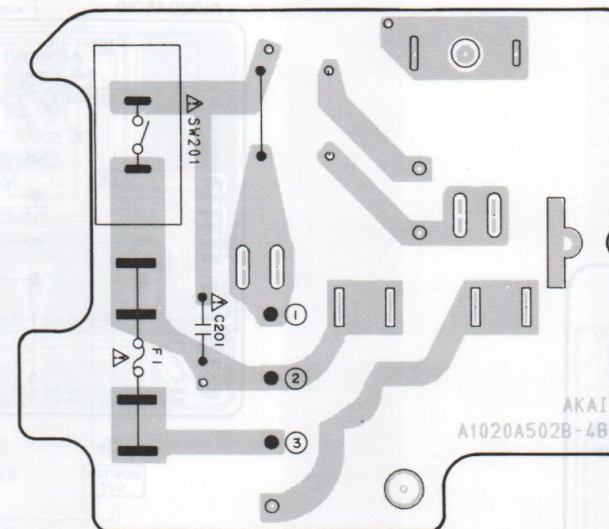
## MODEL AA-V105/L

### SCHEMATIC DIAGRAM AND PC BOARDS

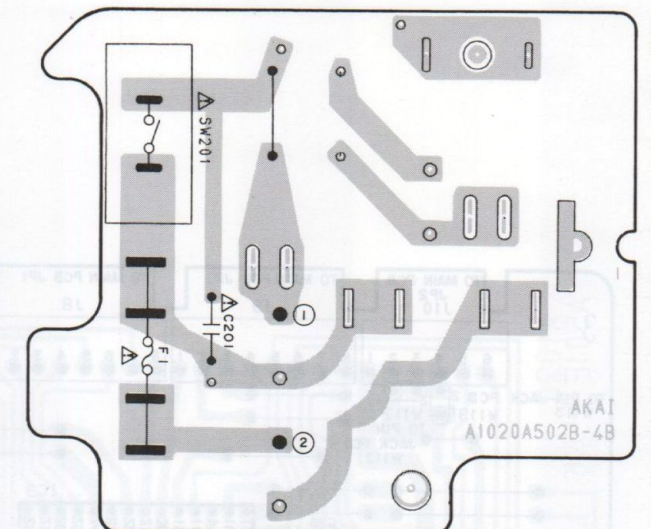
- 1. POWER SW PCB ..... 1
- 2. LCD PCB, LED PCB, PHONE JACK PCB, PIN JACK PCB, TACT PCB, TONE PCB ..... 2
- 3. AA-V105/L CONNECTION SCHEMATIC DIAGRAM ..... 3
- 4. AA-V105/L MAIN SCHEMATIC DIAGRAM ..... 4
- 5. AA-V105 MAIN PCB ..... 5
- 6. AA-V105L MAIN PCB ..... 6
- 7. AA-V105/L BLOCK DIAGRAM ..... 7



POWER SW PCB A1020A502B [U]



POWER SW PCB A1020A503B [C,A]

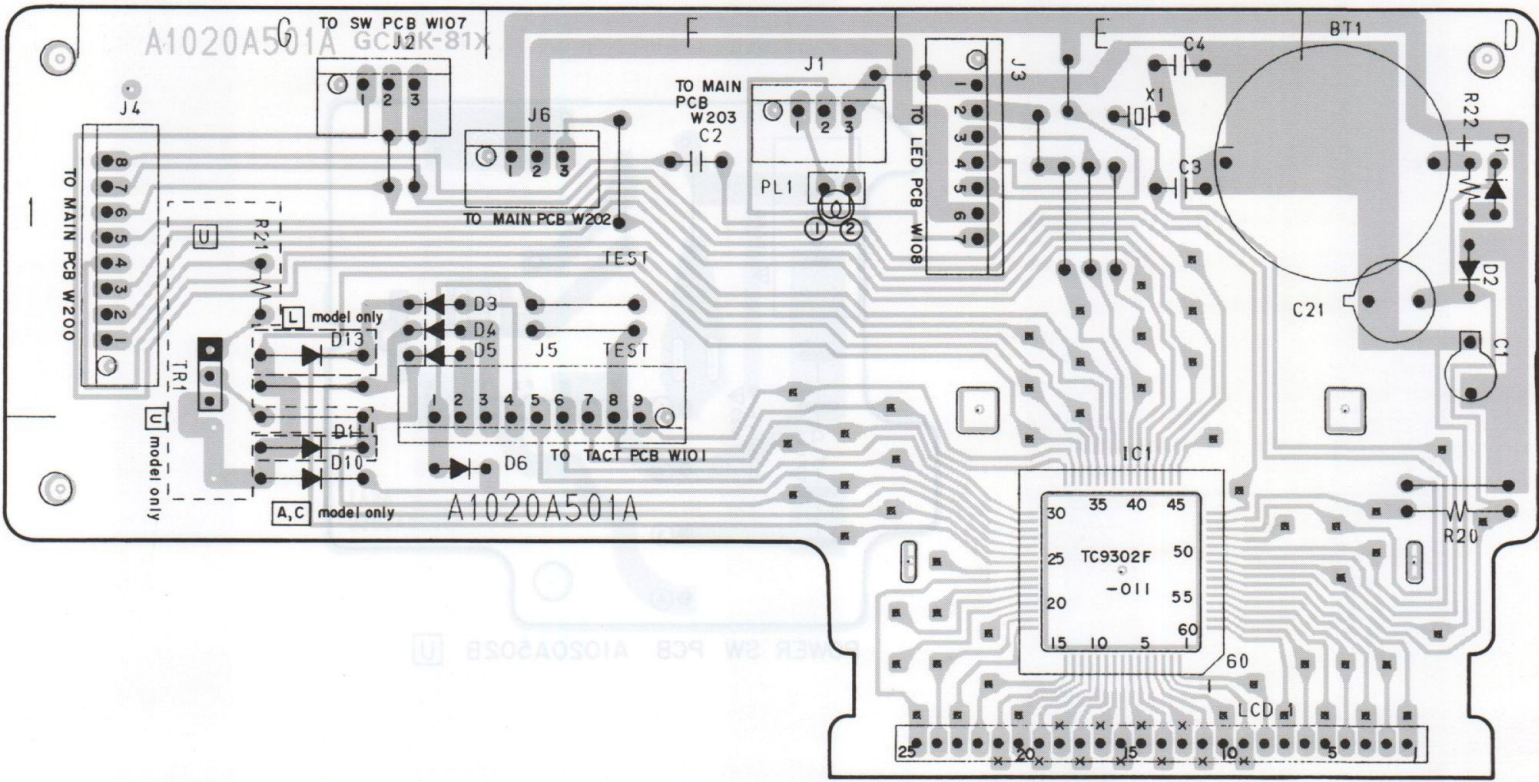


POWER SW PCB A1020A504B [V,E]  
505B [S,B]

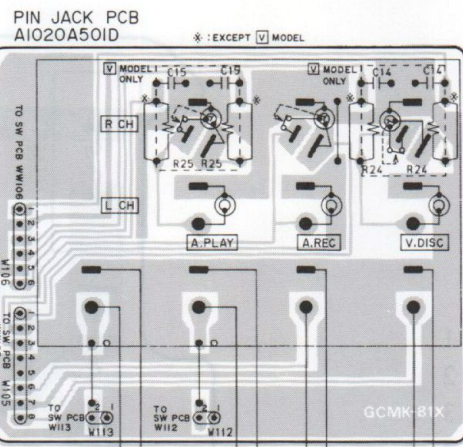
WARNING:  $\Delta$  INDICATES SAFETY CRITICAL COMPONENTS FOR CONTINUED SAFETY, REPLACE SAFETY CRITICAL COMPONENTS ONLY WITH MANUFACTURER'S RECOMMENDED PARTS

AVERTISSEMENT:  $\Delta$  IL INDIQUE LES COMPOSANTS CRITIQUES DE SÉCURITÉ. POUR MAINTENIR LE DEGRÉ DE SÉCURITÉ DE L'APPAREIL, NE REMPLACER QUE DES PIÈCES RECOMMANDÉES PAR LE FABRICANT

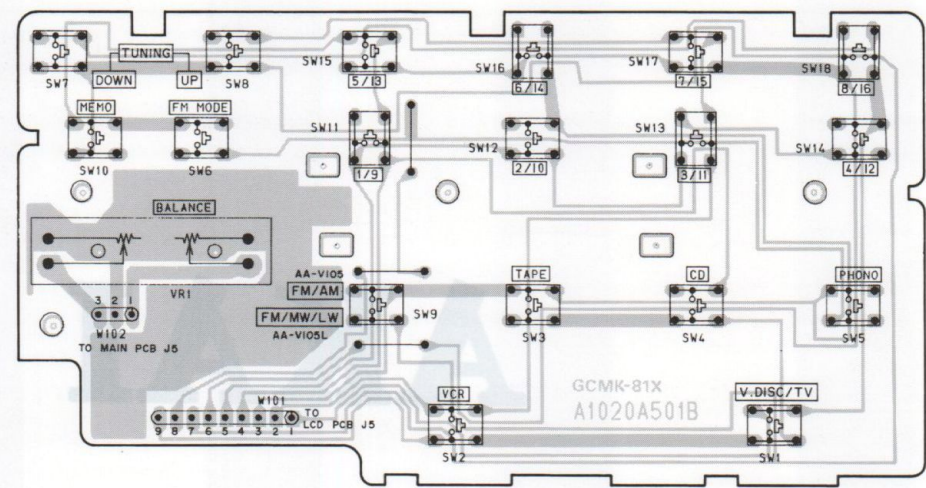




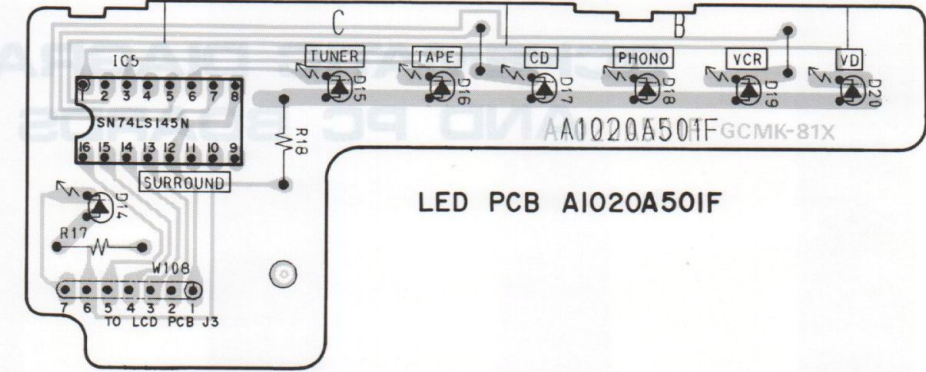
LCD PCB A1020A501A



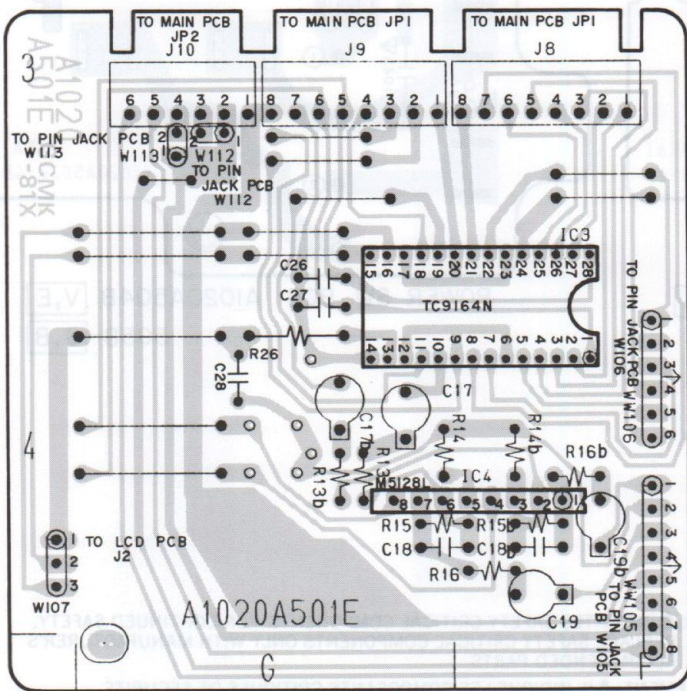
PIN JACK PCB  
A1020A501D



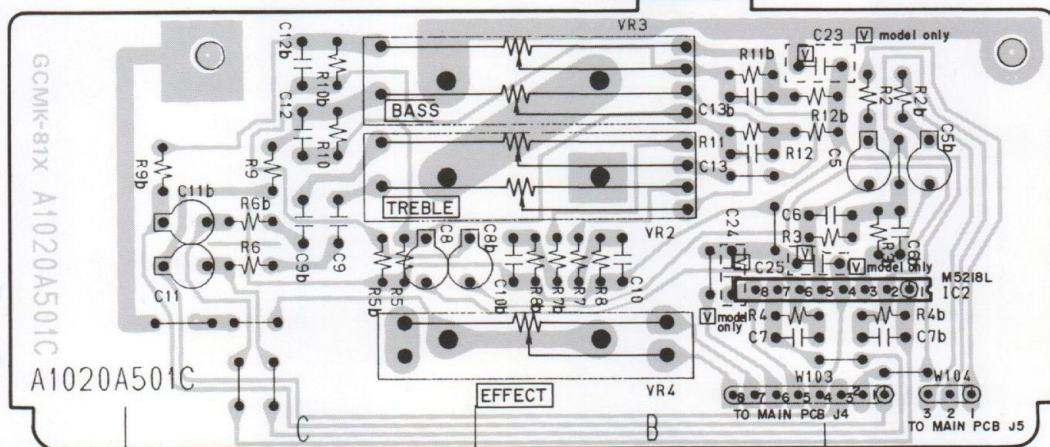
TACT PCB A1020A501B



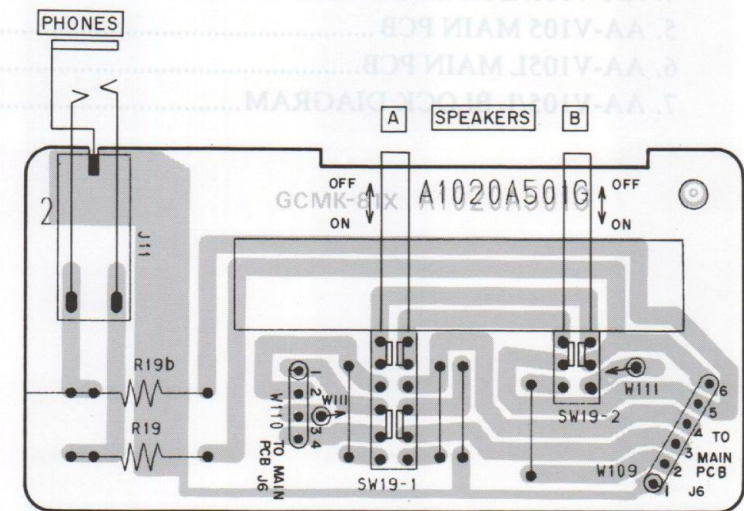
LED PCB A1020A501F



SW PCB A1020A501E



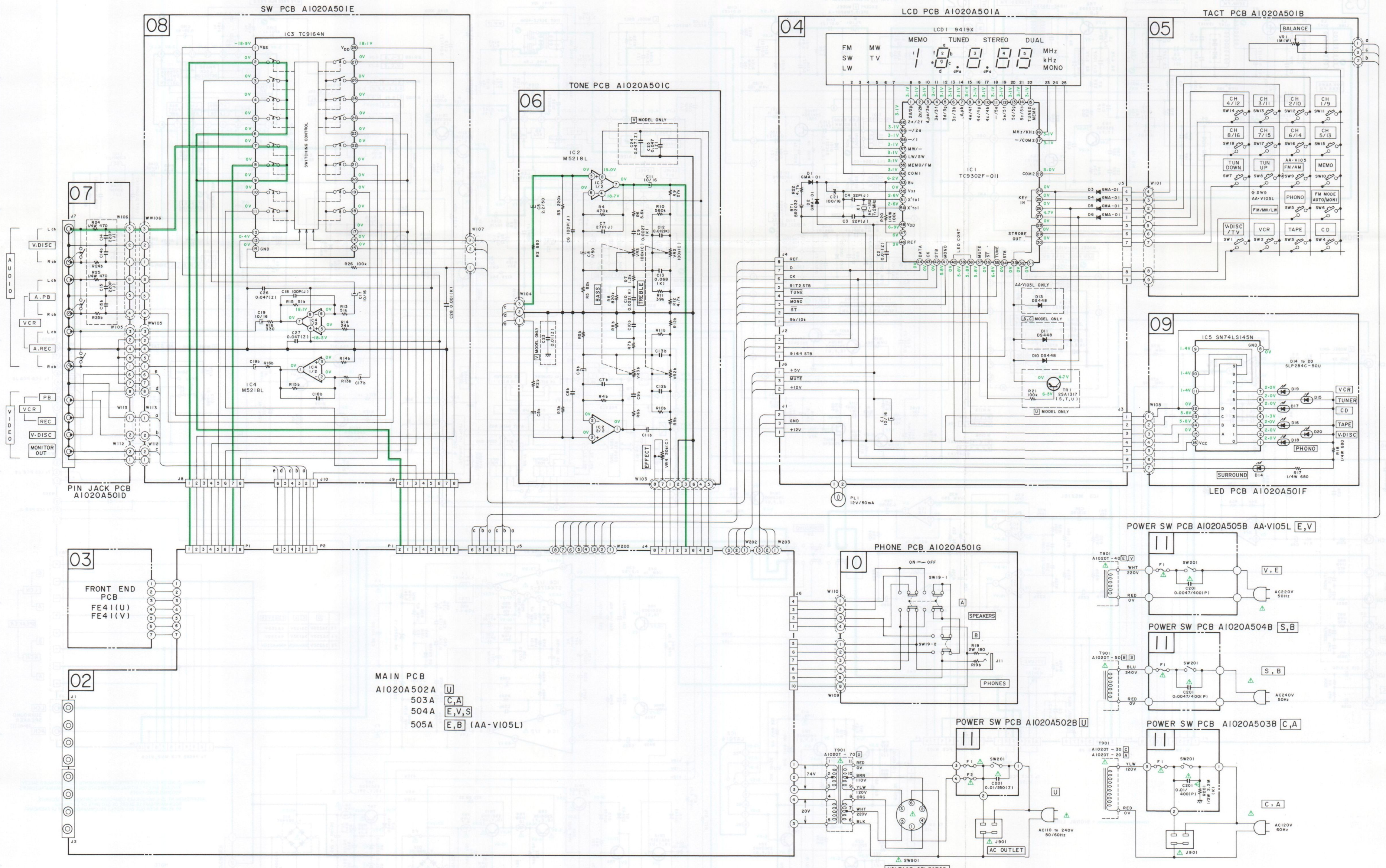
TONE PCB A1020A501C



PHONES PCB A1020A501G

MODEL AA-V105/L  
POWER SW PCB A1020A503B  
LCD PCB LED PCB PHONE JACK PCB PIN JACK PCB TACT PCB TONE PCB  
AA-V105L CONNECTION SCHEMATIC DIAGRAM  
AA-V105L MAIN PCB SCHEMATIC DIAGRAM  
AA-V105L MAIN PCB  
AA-V105L MAIN PCB SCHEMATIC DIAGRAM  
AA-V105L MAIN PCB  
AA-V105L MAIN PCB  
AA-V105L MAIN PCB  
AA-V105L MAIN PCB SCHEMATIC DIAGRAM  
POWER SW PCB A1020A503B  
LCD PCB LED PCB PHONE JACK PCB PIN JACK PCB TACT PCB TONE PCB  
AA-V105L CONNECTION SCHEMATIC DIAGRAM  
AA-V105L MAIN PCB SCHEMATIC DIAGRAM  
AA-V105L MAIN PCB  
AA-V105L MAIN PCB  
AA-V105L MAIN PCB SCHEMATIC DIAGRAM





MAIN PCB  
A1020A502A [U]  
503A [C,A]  
504A [E,V,S]  
505A [E,B] (AA-VI05L)

[U]	[C,A]	[E,V,S]
F1 1.6A250V	3.15A125V	1.25A250V
F2 1.6A250V		

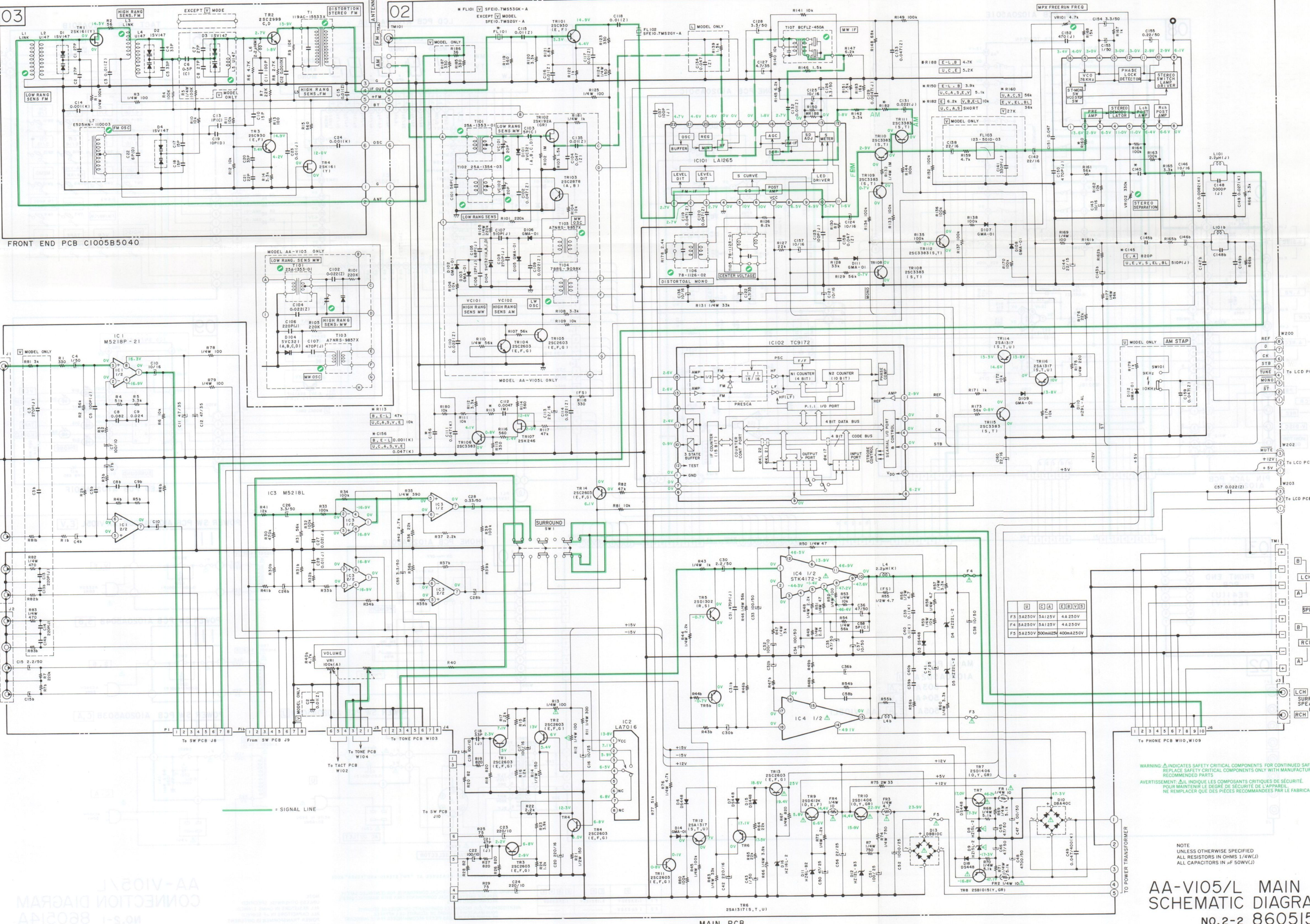
INDICATED VOLTAGES ARE MEASURED AT "FM" STEREO AND "TUNED" MODE

WARNING: Δ INDICATES SAFETY CRITICAL COMPONENTS. FOR CONTINUED SAFETY, REPLACE SAFETY CRITICAL COMPONENTS ONLY WITH MANUFACTURER'S RECOMMENDED PARTS.  
AVERTISSEMENT: Δ IL INDIQUE LES COMPOSANTS CRITIQUES DE SÉCURITÉ. POUR MAINTENIR LE DEGRÉ DE SÉCURITÉ DE L'APPAREIL, NE REMPLACER QUE DES PIÈCES RECOMMANDÉES PAR LE FABRICANT.

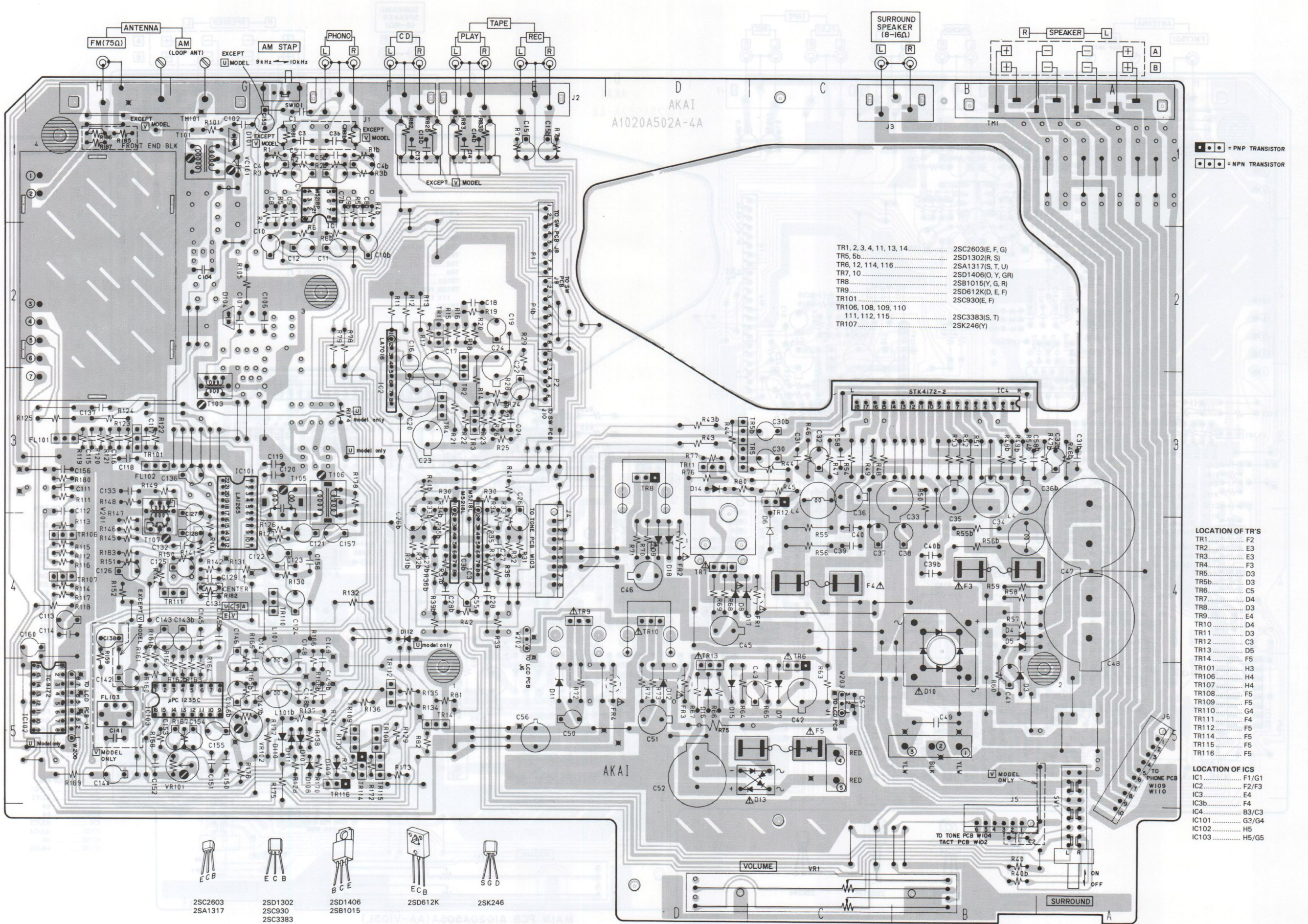
NOTE: UNLESS OTHERWISE SPECIFIED, ALL RESISTORS IN ΩMS (1/4W, 1/2W, 1W). ALL CAPACITORS IN μF (SOWV). POWER TRANSFORMER IS DIFFERENT ACCORDING TO AREA.

AA-VI05/L  
CONNECTION DIAGRAM  
No.2-1 860514A







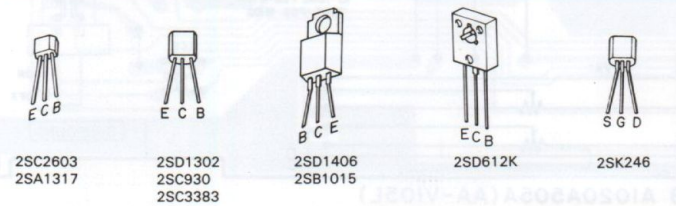


- TR1, 2, 3, 4, 11, 13, 14..... 2SC2603(E, F, G)
- TR5, 5b..... 2SD1302(R, S)
- TR6, 12, 114, 116..... 2SA1317(S, T, U)
- TR7, 10..... 2SD1406(O, Y, GR)
- TR8..... 2SB1015(Y, G, R)
- TR9..... 2SD612K(D, E, F)
- TR101..... 2SC930(E, F)
- TR106, 108, 109, 110  
111, 112, 115..... 2SC3383(S, T)
- TR107..... 2SK246(Y)

= PNP TRANSISTOR  
 = NPN TRANSISTOR

- LOCATION OF TR'S**
- TR1..... F2
  - TR2..... E3
  - TR3..... E3
  - TR4..... F3
  - TR5..... D3
  - TR5b..... D3
  - TR6..... C5
  - TR7..... D4
  - TR8..... D3
  - TR9..... E4
  - TR10..... D4
  - TR11..... D3
  - TR12..... C3
  - TR13..... D5
  - TR14..... F5
  - TR101..... H3
  - TR106..... H4
  - TR107..... H4
  - TR108..... F5
  - TR109..... F5
  - TR110..... G4
  - TR111..... F4
  - TR112..... F5
  - TR114..... F5
  - TR115..... F5
  - TR116..... F5

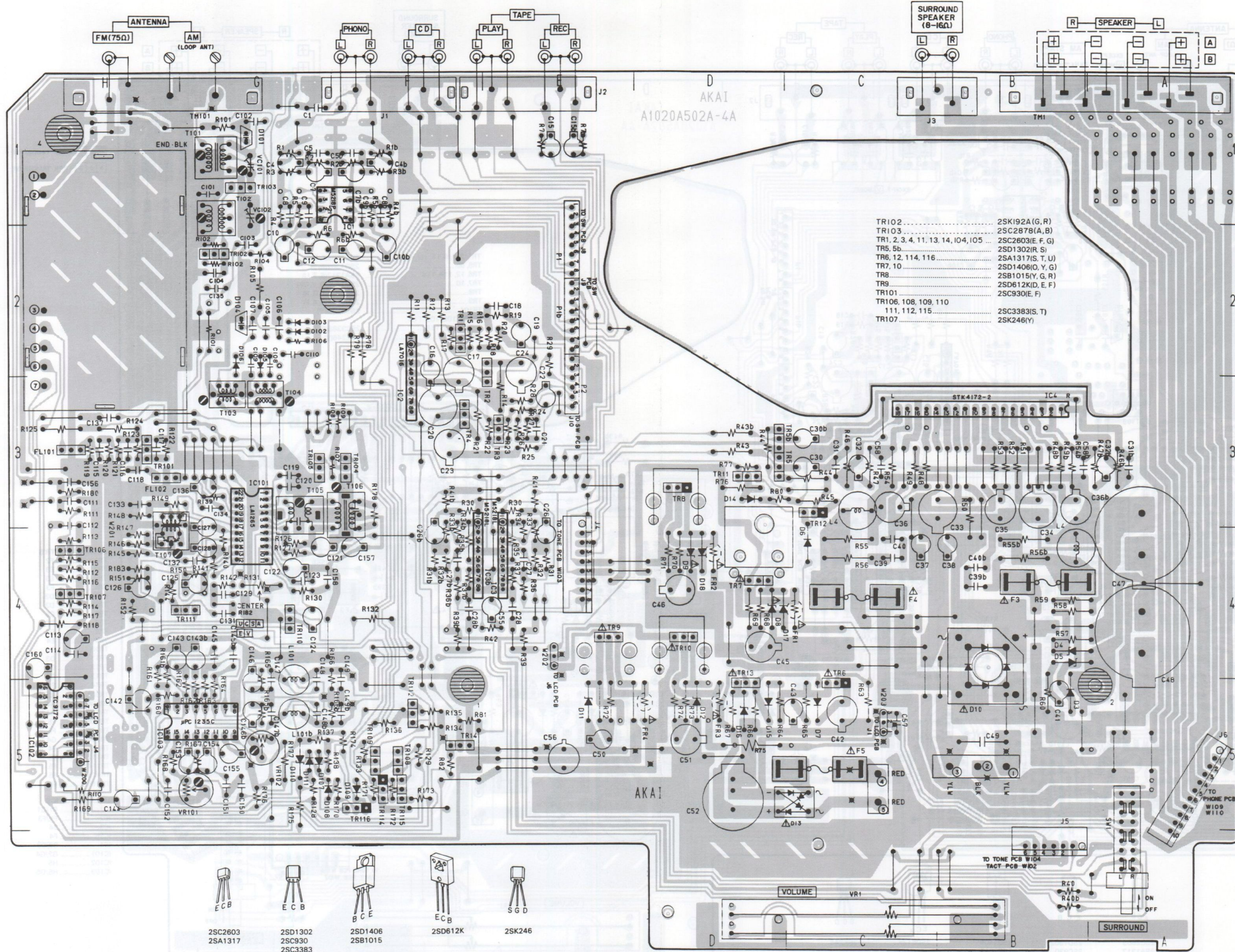
- LOCATION OF IC'S**
- IC1..... F1/G1
  - IC2..... F2/F3
  - IC3..... E4
  - IC3b..... F4
  - IC4..... B3/C3
  - IC101..... G3/G4
  - IC102..... H5
  - IC103..... H5/G5



- 2SC2603
- 2SA1317
- 2SD1302
- 2SC930
- 2SC3383
- 2SD1406
- 2SB1015
- 2SD612K
- 2SK246

MAIN PCB AI020A502A U  
 A503A C, A  
 A504A E, V, S





TR102.....	2SK192A(G, R)
TR103.....	2SC2878(A, B)
TR1, 2, 3, 4, 11, 13, 14, 104, 105.....	2SC2603(E, F, G)
TR5, 5b.....	2SD1302(R, S)
TR6, 12, 114, 116.....	2SA1317(S, T, U)
TR7, 10.....	2SD1406(O, Y, G)
TR8.....	2SB1015(Y, G, R)
TR9.....	2SD612K(D, E, F)
TR101.....	2SC930(E, F)
TR106, 108, 109, 110, 111, 112, 115.....	2SC3383(S, T)
TR107.....	2SK246(Y)

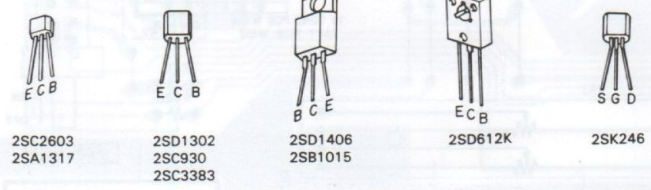
= PNP TRANSISTOR  
 = NPN TRANSISTOR

LOCATION OF TR'S

TR1.....	F2
TR2.....	E3
TR3.....	E3
TR4.....	F3
TR5.....	D3
TR5b.....	D3
TR6.....	C5
TR7.....	D4
TR8.....	D3
TR9.....	E4
TR10.....	D4
TR11.....	D3
TR12.....	C3
TR13.....	D5
TR14.....	F5
TR101.....	H3
TR102.....	G1
TR103.....	G2
TR104.....	F3
TR105.....	G3
TR106.....	H4
TR107.....	H4
TR108.....	F8
TR109.....	F5
TR110.....	G4
TR111.....	F4
TR112.....	F5
TR114.....	F5
TR115.....	F5
TR116.....	F5

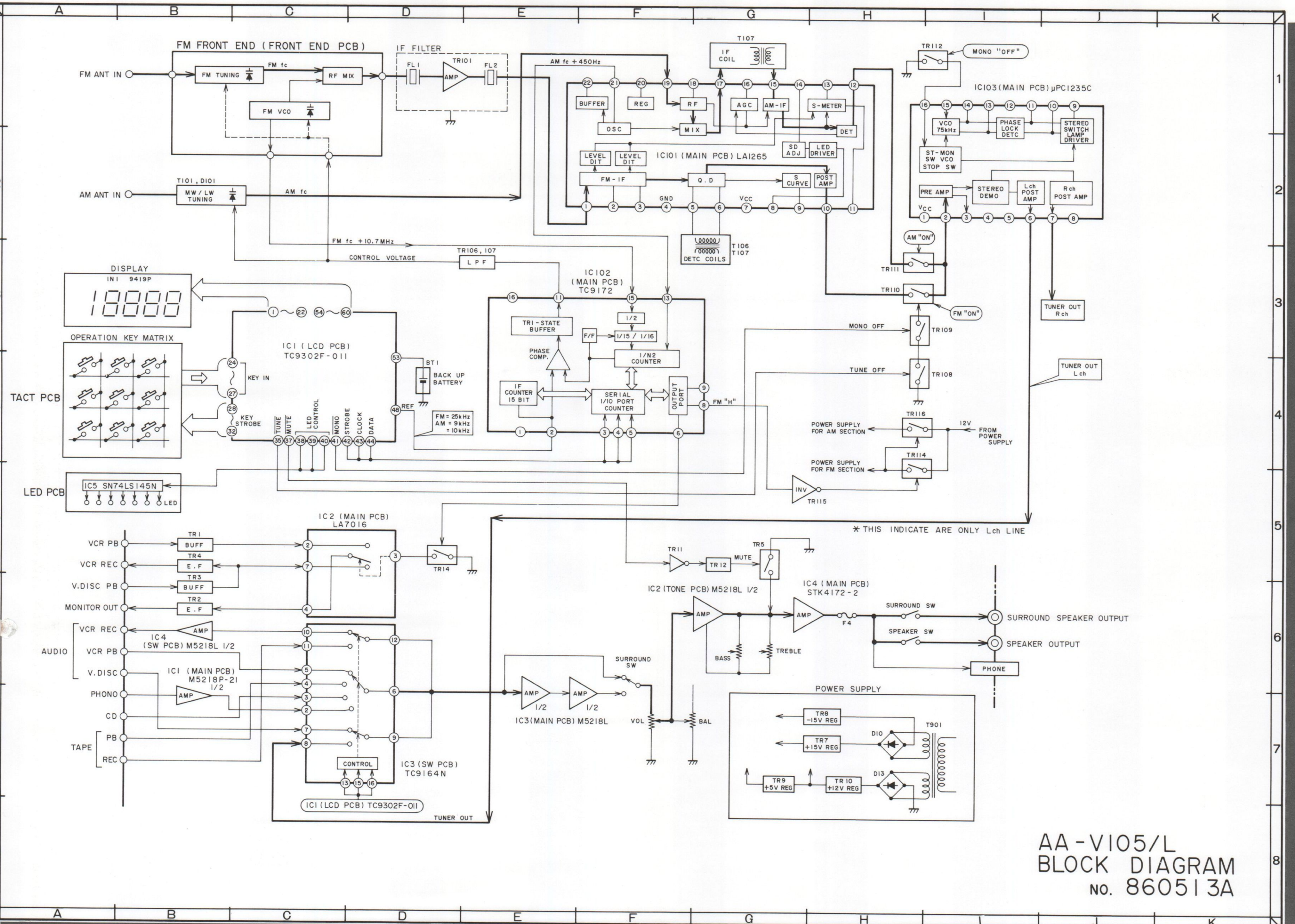
LOCATION OF IC'S

IC1.....	F1/G1
IC2.....	F2/F3
IC3.....	E4
IC3b.....	F4
IC4.....	B3/C3
IC101.....	G3/G4
IC102.....	H5
IC103.....	H5/G5



MAIN PCB A1020A505A(AA-V105L)





AA-V105/L  
 BLOCK DIAGRAM  
 No. 860513A