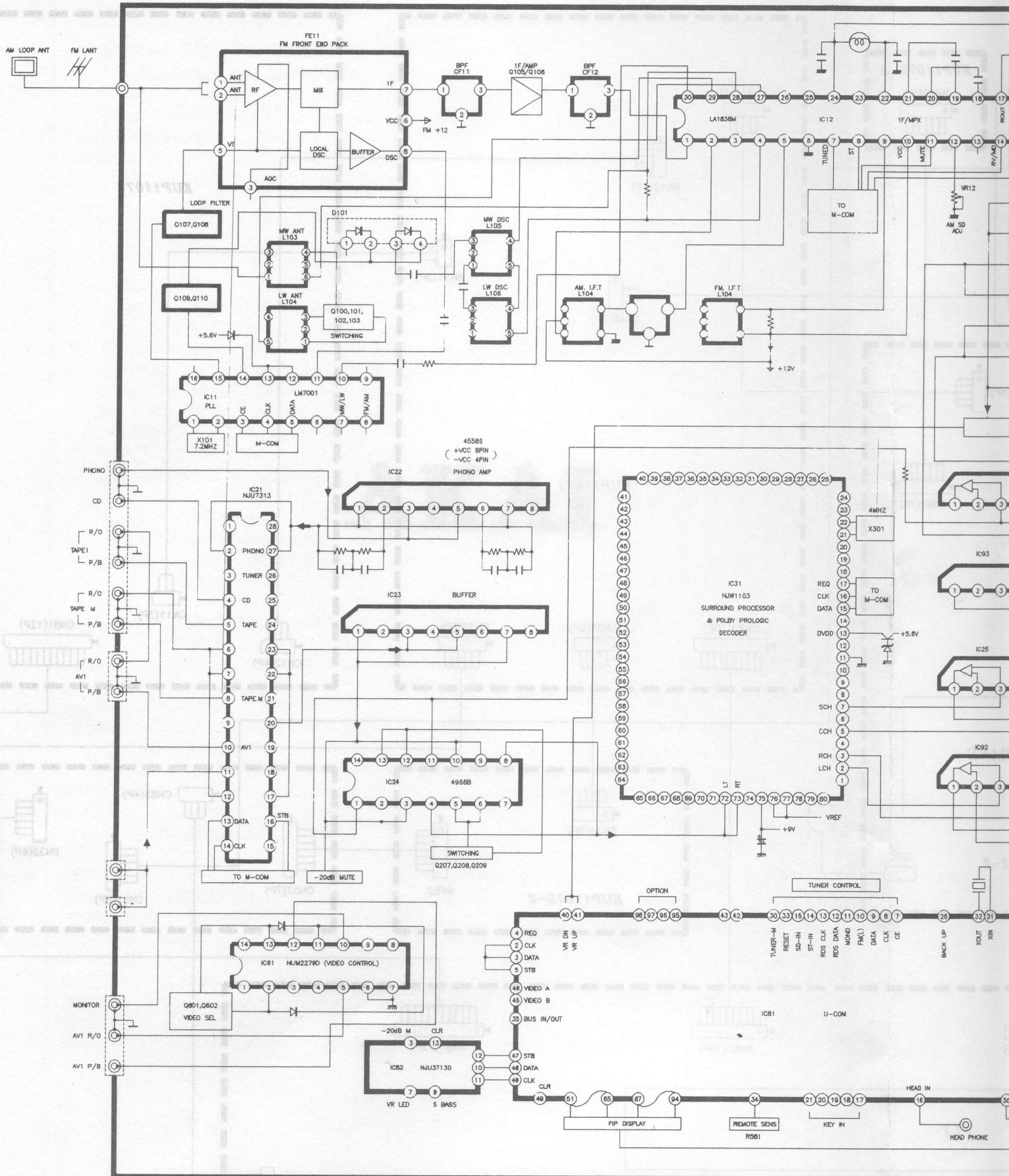
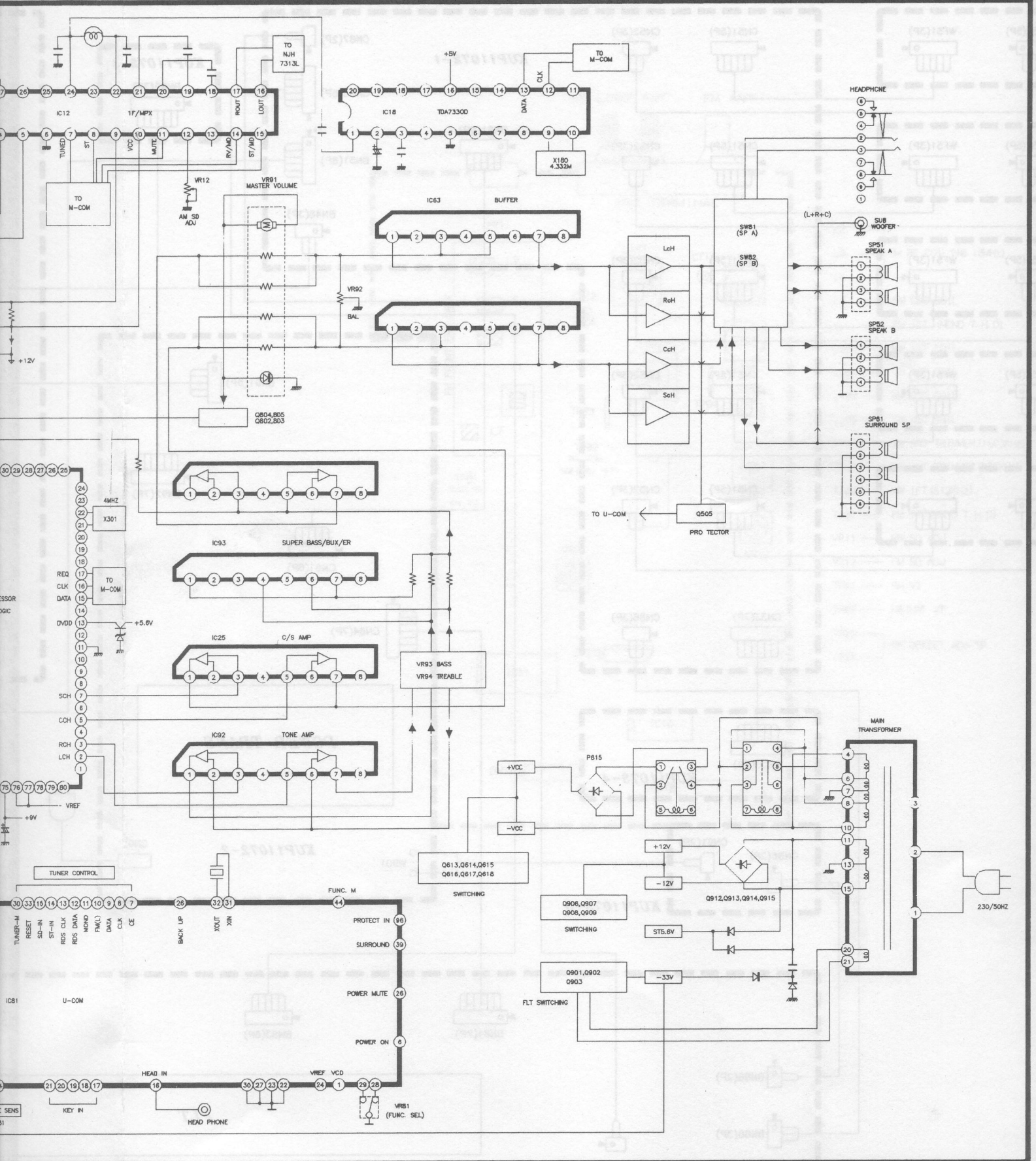
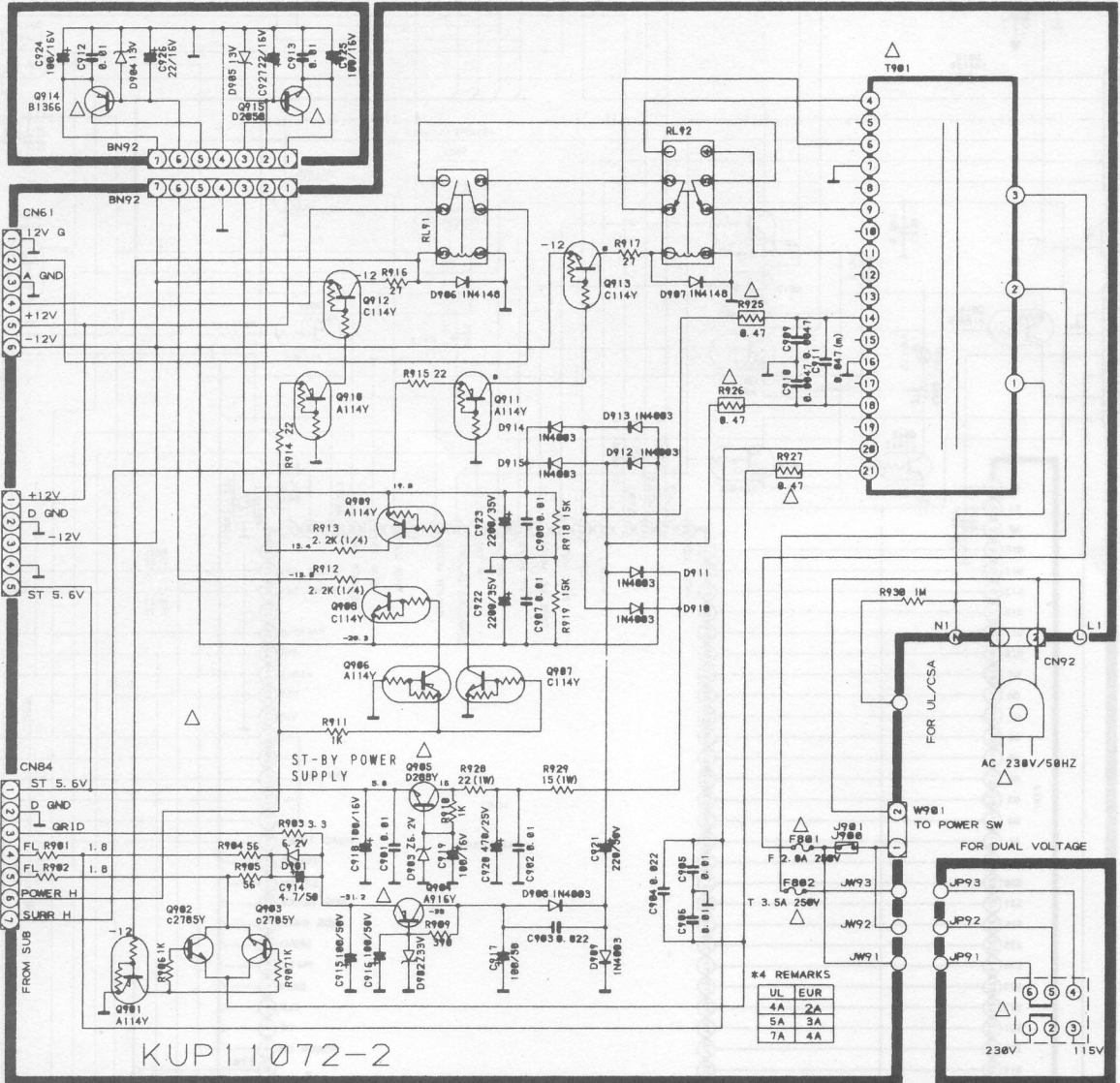


BLOCK DIAGRAM

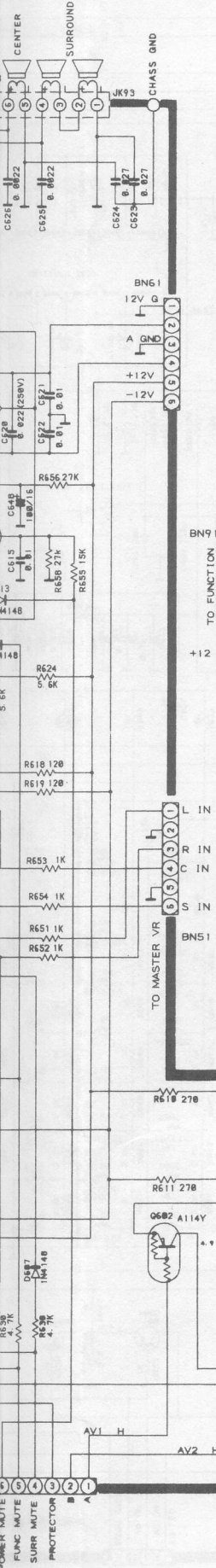




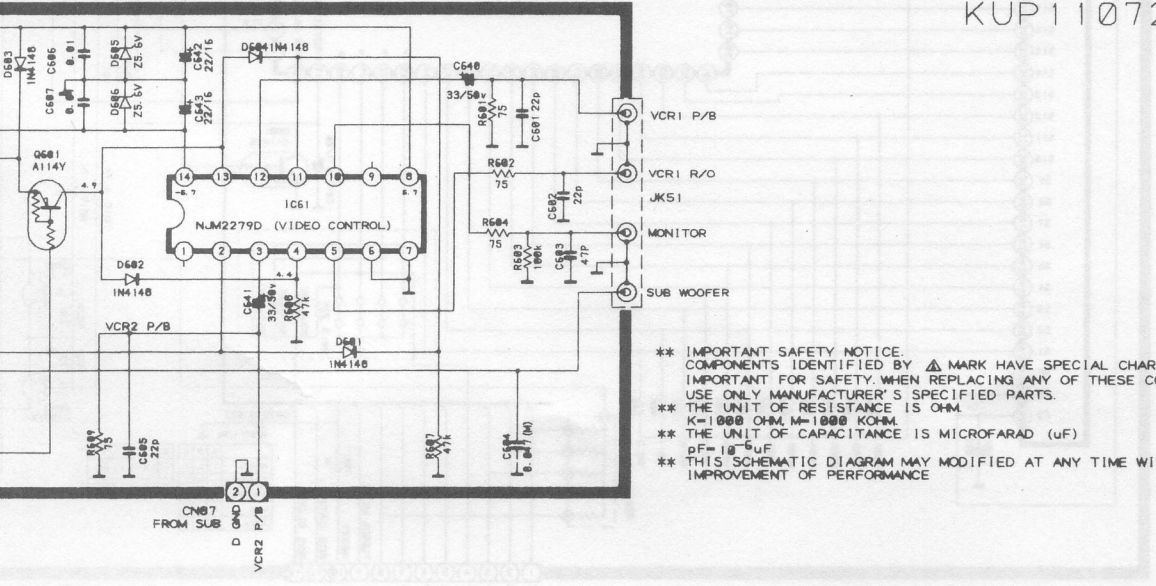
KUP11072-3



KUP11072-2



KUP11072-4

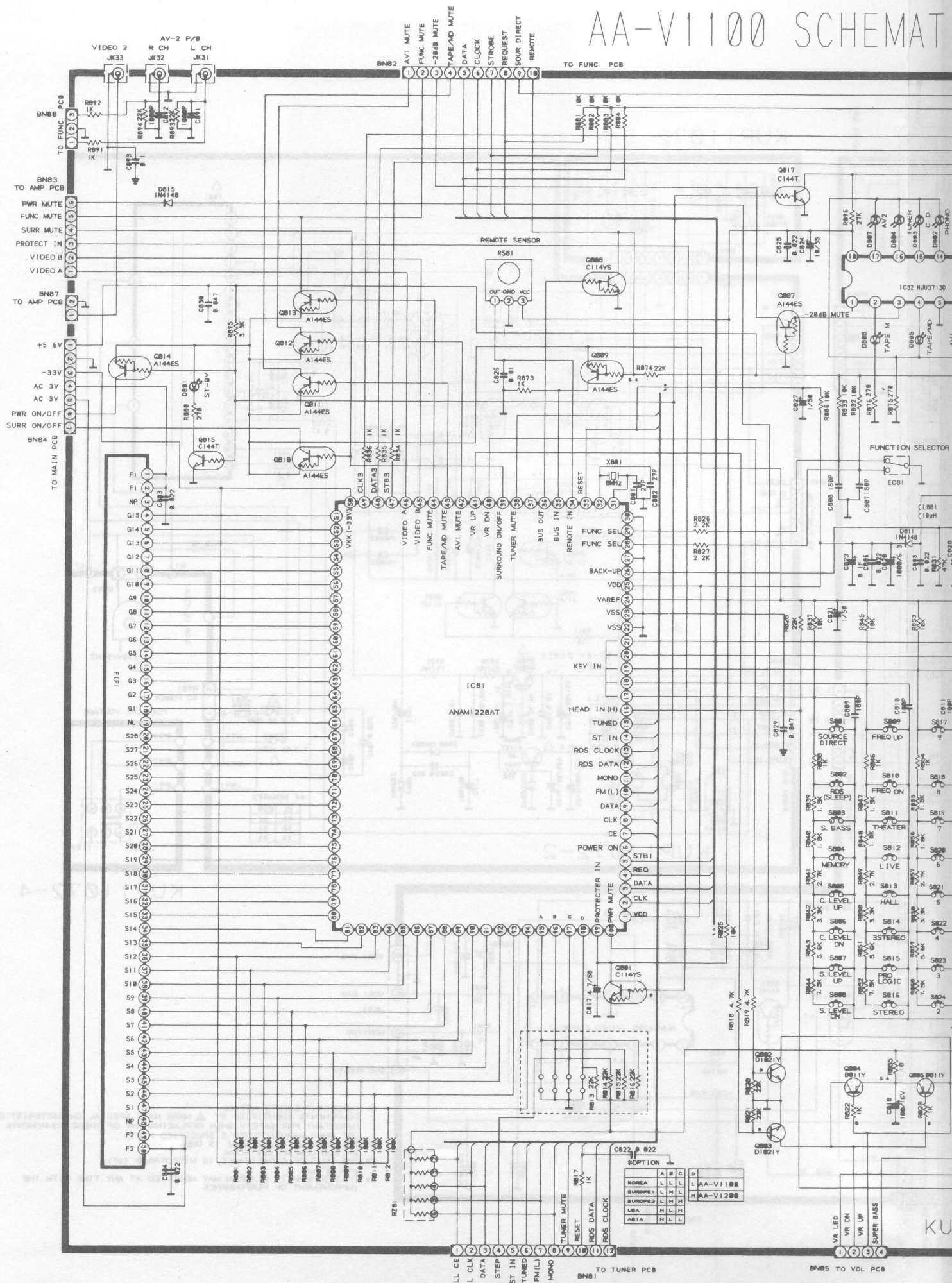


#4 REMARKS

| | |
|----|-----|
| UL | EUR |
| 4A | 2A |
| 5A | 3A |
| 7A | 4A |

** IMPORTANT SAFETY NOTICE. COMPONENTS IDENTIFIED BY Δ MARK HAVE SPECIAL CHARACTERISTICS. IMPORTANT FOR SAFETY, WHEN REPLACING ANY OF THESE COMPONENTS USE ONLY MANUFACTURER'S SPECIFIED PARTS.
 ** THE UNIT OF RESISTANCE IS OHM.
 ** K=1000 OHM, M=1000 KOHM.
 ** THE UNIT OF CAPACITANCE IS MICROFARAD (μ F).
 ** THIS SCHEMATIC DIAGRAM MAY MODIFIED AT ANY TIME WITH THE IMPROVEMENT OF PERFORMANCE.

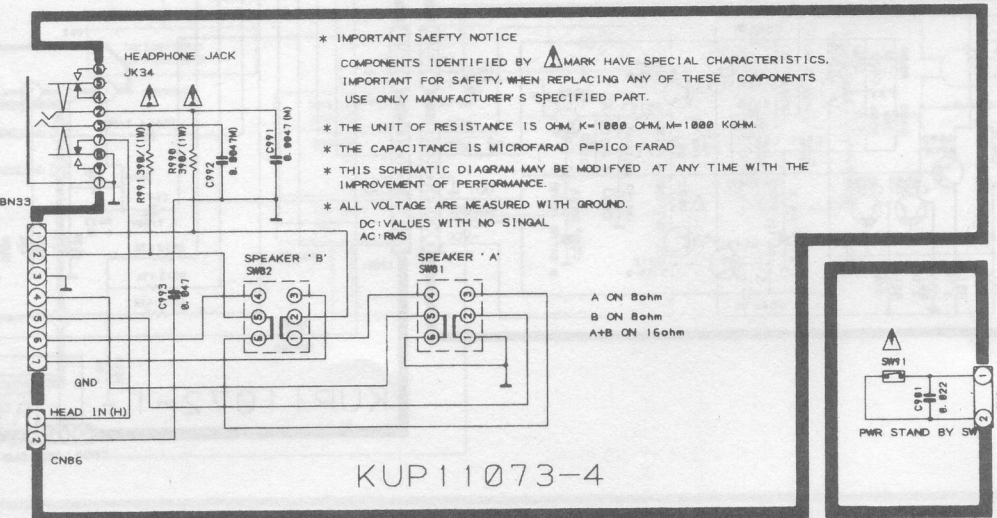
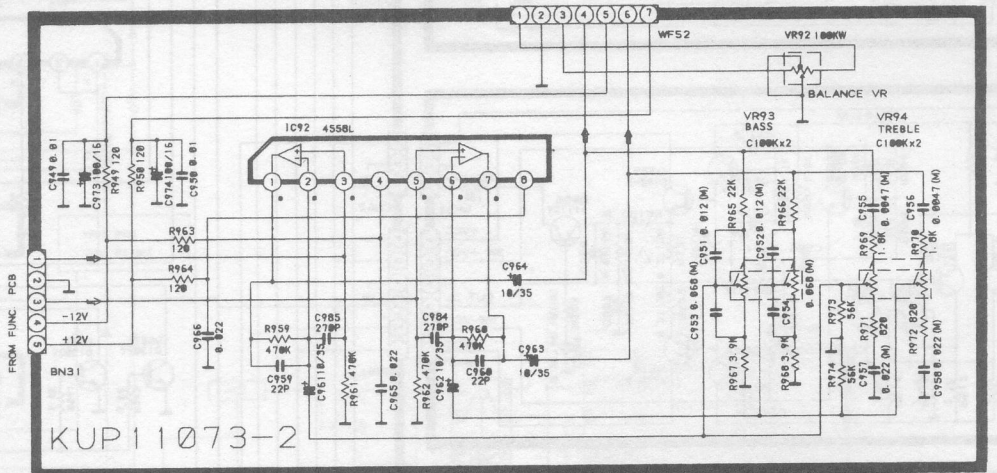
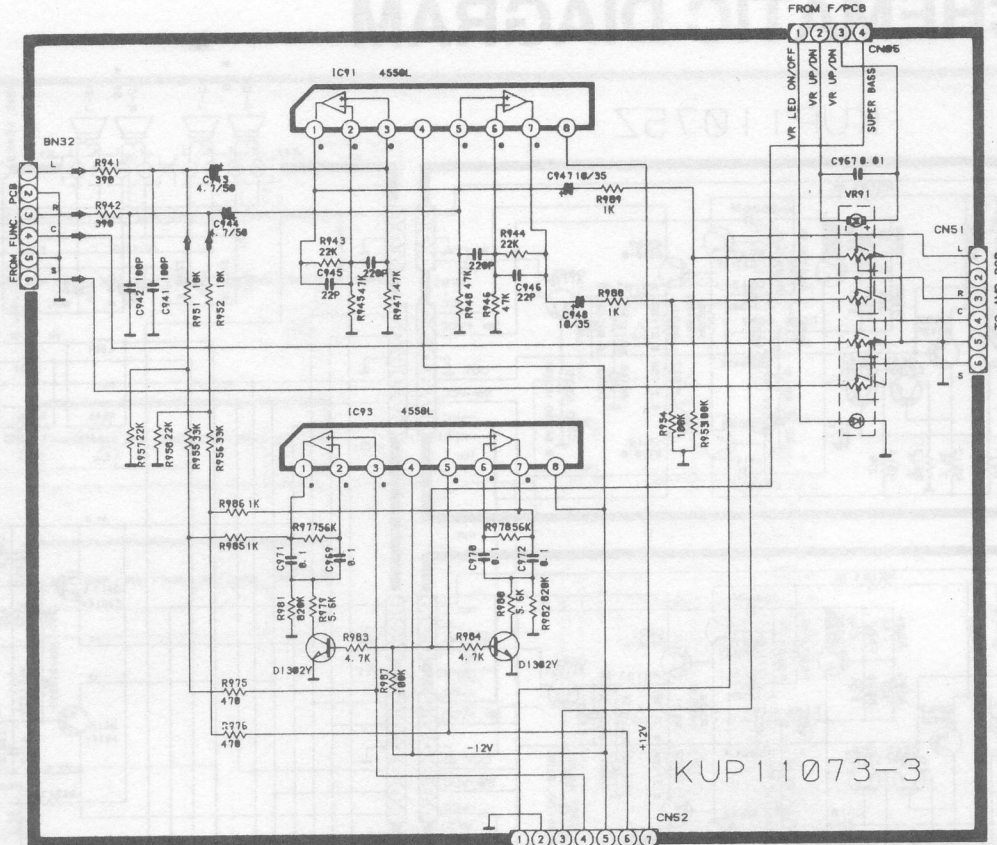
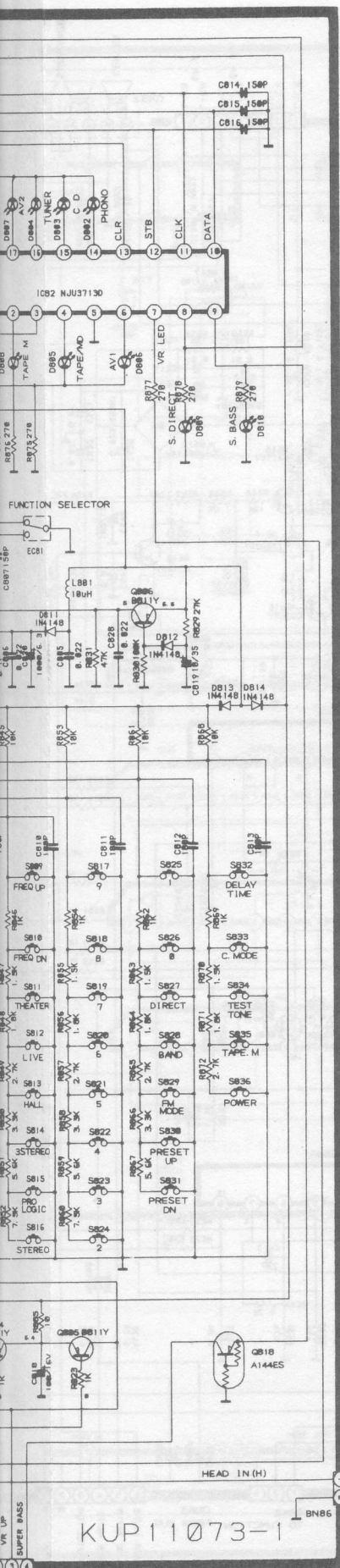
AA-V1100 SCHEMATIC



OPTION

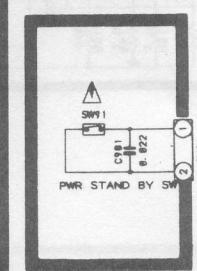
| | A | B | C | D |
|----------|---|---|---|---|
| KOREA | L | L | L | L |
| EUROPE 1 | L | L | L | L |
| EUROPE 2 | L | L | L | L |
| USA | H | L | H | H |
| ASIA | H | L | L | L |

SCHEMATIC DIAGRAM

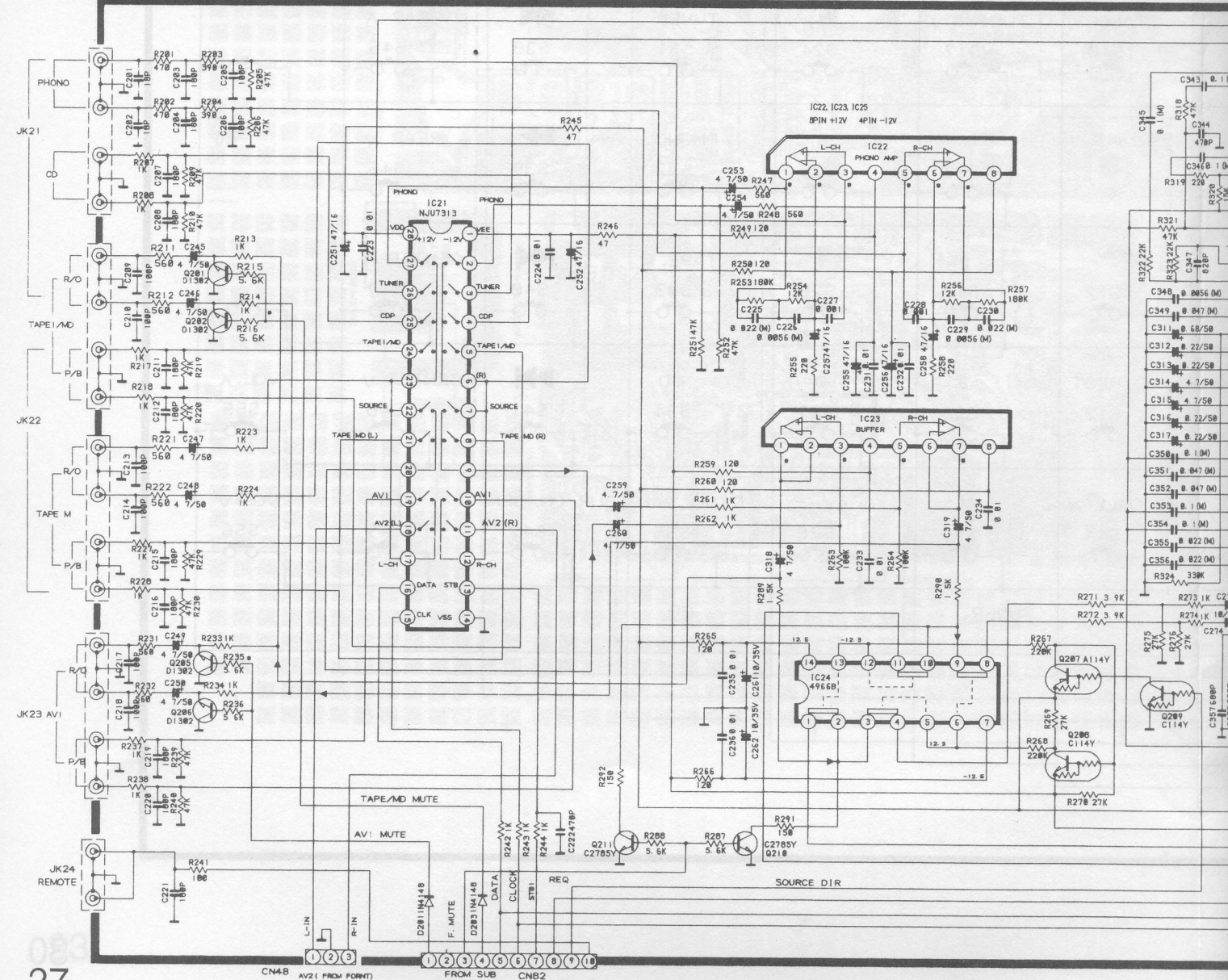
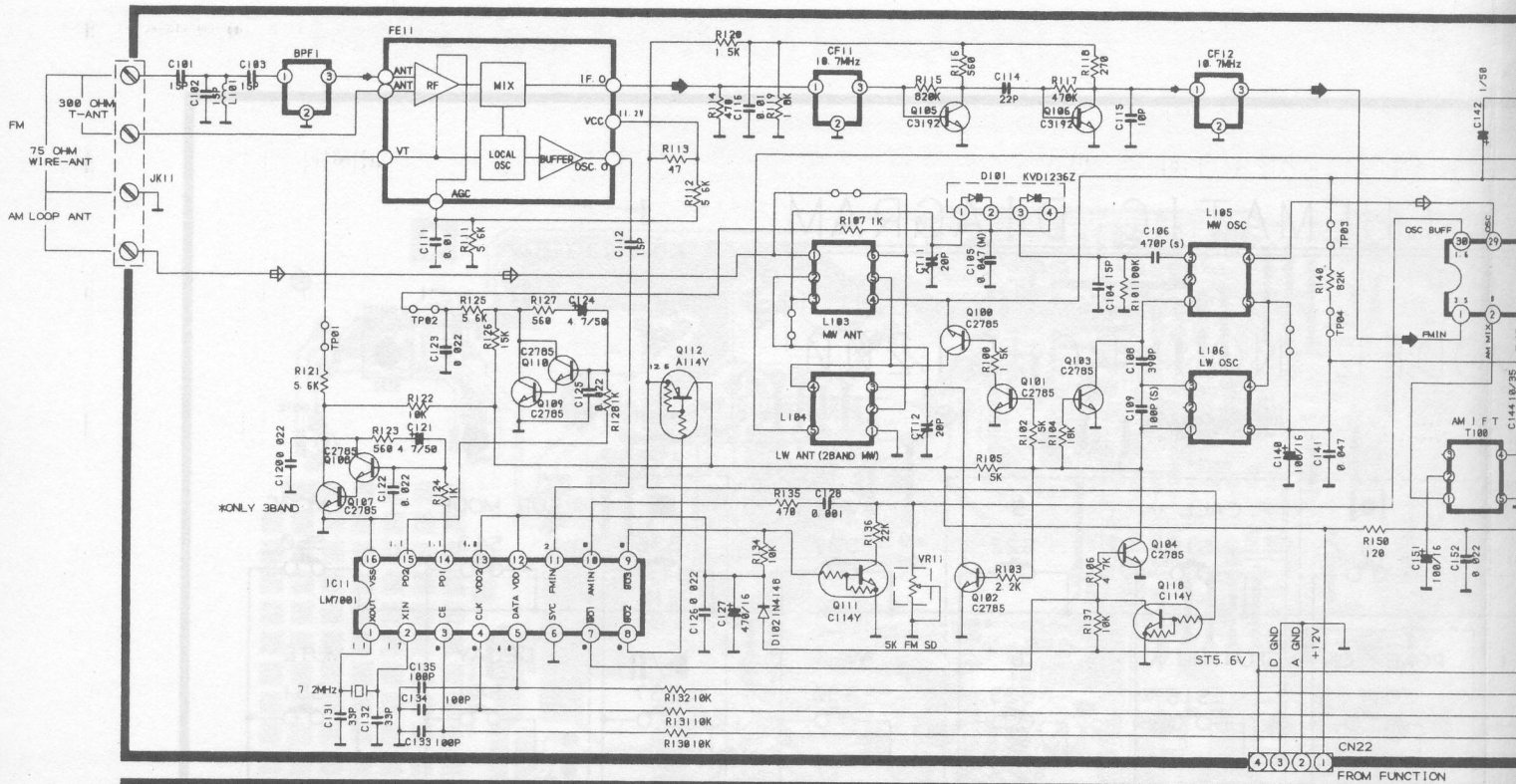


*** IMPORTANT SAFETY NOTICE**
 COMPONENTS IDENTIFIED BY Δ MARK HAVE SPECIAL CHARACTERISTICS. IMPORTANT FOR SAFETY, WHEN REPLACING ANY OF THESE COMPONENTS USE ONLY MANUFACTURER'S SPECIFIED PART.
 * THE UNIT OF RESISTANCE IS OHM, K=1000 OHM, M=1000 KOHM.
 * THE CAPACITANCE IS MICROFARAD P=PICO FARAD
 * THIS SCHEMATIC DIAGRAM MAY BE MODIFIED AT ANY TIME WITH THE IMPROVEMENT OF PERFORMANCE.
 * ALL VOLTAGE ARE MEASURED WITH GROUND.
 DC: VALUES WITH NO SIGNAL
 AC: RMS

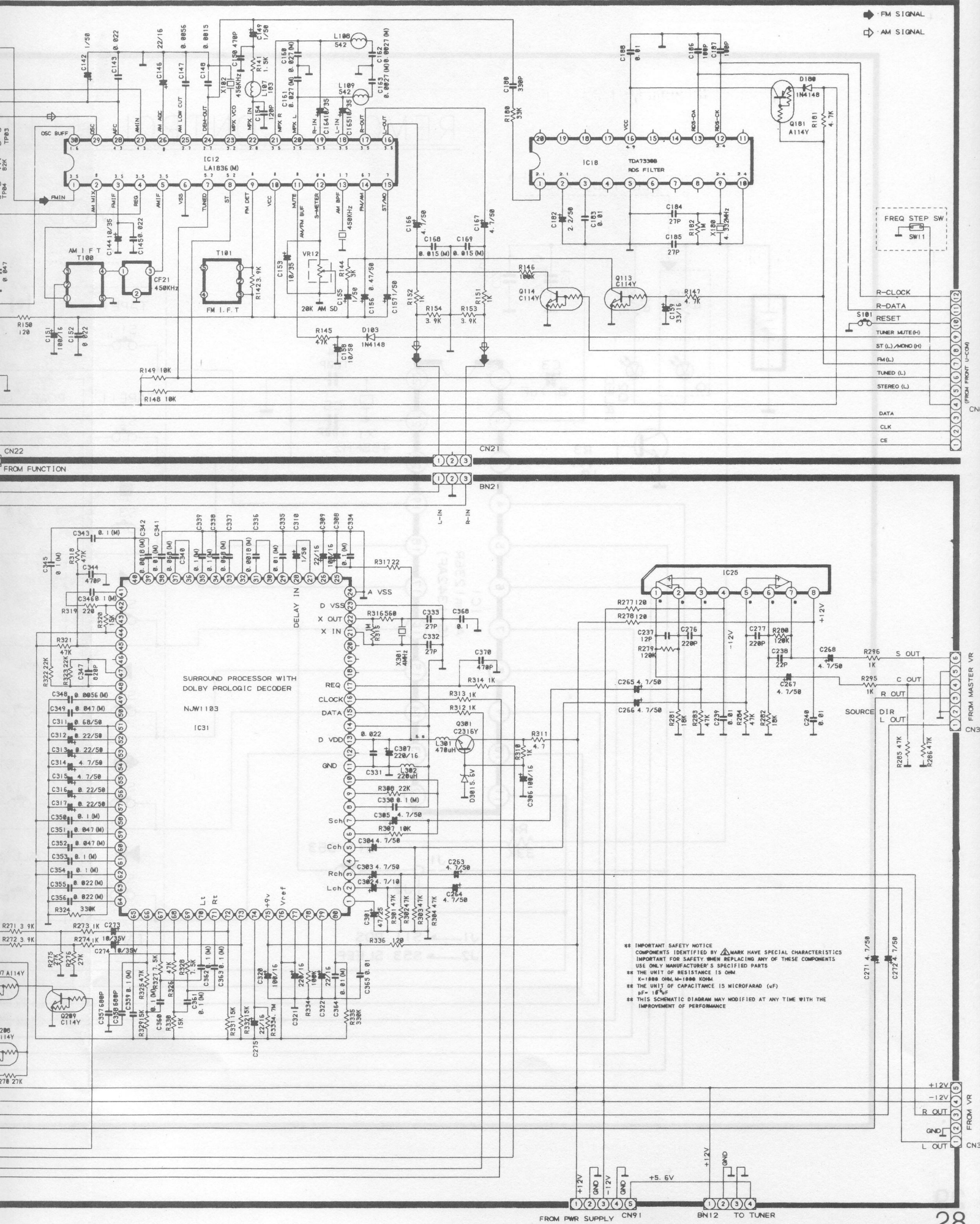
A ON 8ohm
 B ON 8ohm
 A+B ON 16ohm



AA-V1100 TUNER & FUNC



FUNCTION SCHEMATIC DIAGRAM



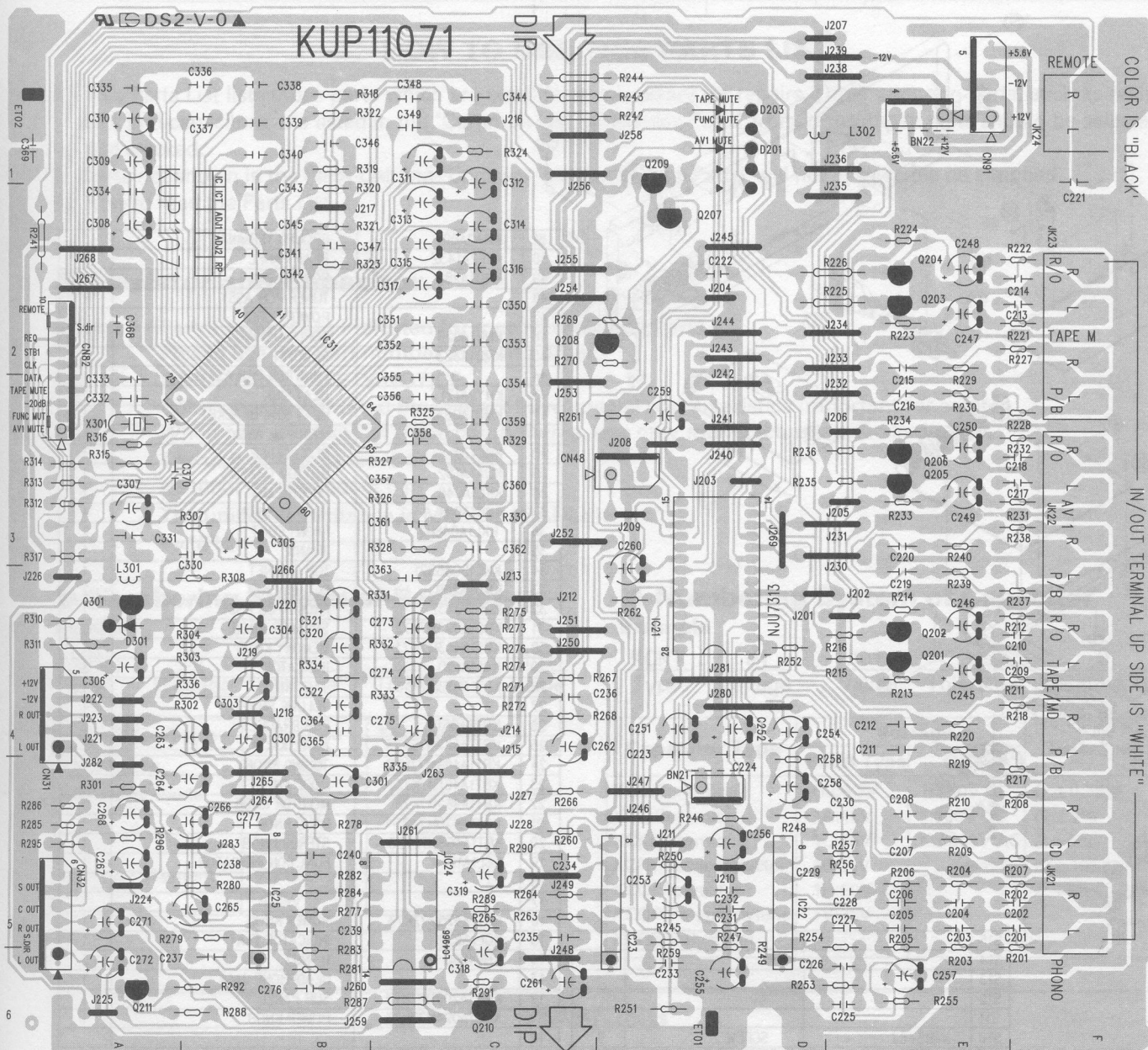
** IMPORTANT SAFETY NOTICE
 COMPONENTS IDENTIFIED BY MARK HAVE SPECIAL CHARACTERISTICS
 IMPORTANT FOR SAFETY WHEN REPLACING ANY OF THESE COMPONENTS
 USE ONLY MANUFACTURER'S SPECIFIED PARTS
 ** THE UNIT OF RESISTANCE IS OHM
 ** X=1000 OHM=1000 OHM
 ** THE UNIT OF CAPACITANCE IS MICROFARAD (uF)
 ** uF=10⁻⁶F
 ** THIS SCHEMATIC DIAGRAM MAY MODIFIED AT ANY TIME WITH THE
 IMPROVEMENT OF PERFORMANCE

PARTS LIST

ATTENTION

AA-V1100 FUNCTION

97 12 34 56
7 8 9 10 11 12



■ ELECTRICAL PARTS LIST

| REF NO. | PART NO. | DESCRIPTION | REF NO. | PART NO. | DESCRIPTION |
|--|----------------|--------------------|---------------------|----------------|------------------------|
| P. C BOARD BLOCK PART NO. | | | BN91 | KWZAAV1100BN91 | WIRE ASS'Y |
| Part No. Description 1. KOP11071 FUNCTION PCB ASS'Y 2. KOP 11072 AMP PCB ASS'Y 3. KOP11073 FRONT PCB ASS'Y 4. KOP 11074 TUNER PCB ASS'Y 5. KOP 11075 TR ARRAY PCB ASS'Y 6. KOP 11106 REMOCON PCB ASS'Y | | | BN92 | KWZAAV1100BN92 | WIRE ASS'Y |
| FUNCTION PCB BLOCK CONSISTS FOLLOWING P.C.B | | | CN33 | KJP07GB03ZM | WAFER |
| * FUNCTION CONTROL P. C. BOARD | | | CN51 | KJP06GA63ZY | WAFER |
| * DOLBY SURROUND P. C. BOARD | | | CN52 | KJP03GA63ZY | WAFER |
| AMP PCB BLOCK CONSISTS FOLLOWING P. C. B | | | CN61 | KJP06GA01ZM | WAFER |
| * POWER SUPPLY P. C. BOARD | | | CN83 | KJP08GB46ZM | WAFER |
| * VIDEO CONTROL P. C. BOARD | | | CN84 | KJP07GA01ZM | WAFER |
| FRONT PCB BLOCK CONSISTS FOLLOWING P. C. B | | | CN88 | KJP03GB03ZM | WAFER |
| * μ - COM P. C. BOARD | | | CN92 | KJP02GA61ZP | WAFER |
| * SP SWITCH P. C. BOARD | | | C620 | △ KCKW2H223ZF | CAP, CERAMIC |
| * TONE CONTROL P. C. BOARD | | | C652, 653 | △ KCETS63V682 | CAP, ELECT |
| * MASTER VR P. C. BOARD | | | C920 | △ KCEA1EH471E | CAP, ELECT |
| * AV2 INPUT P. C. BOARD | | | C922, 923 | △ KCEA1EH222E | CAP, ELECT |
| * POWER SW P. C. BOARD | | | D615 | △ BVDPBU604F | DIODE, BRIDGE |
| 1. FUNCTION PCB | | | IC61 | BVINJM2279D | IC, VIDEO |
| BN21 | KWZAAV1100BN21 | WIRE ASS'Y | IC62, 63 | BVINJM4558L | IC |
| BN22 | KWZAAV1100BN22 | WIRE ASS'Y | JK51 | KJJ4P020Z | JACK, BOARD |
| CN31 | KJP05GA01ZM | WAFER | JK91 | KJJ5P012Z | TERMINAL, SPEAKER |
| CN32 | KJP06GA01ZM | WAFER | JK92 | KJJ5P013Z | TERMINAL, SPEAKER |
| CN48 | KJP03GA01ZM | WAFER | JK93 | KJJ5R003Z | TERMINAL, SPEAKER |
| CN82 | KJP10GA19ZM | WAFER | L601~L603 | △ KLEYK1R8KA | COIL |
| CN91 | KJP05GA01ZM | WAFER | Q914 | △ KVTKTB1366Y | T.R |
| ET01 | KMA2A001 | TERMINAL, GROUND | Q915 | △ KVTKTD2058Y | T.R |
| IC21 | BVINJU7313L | IC | RL91 | △ BSL4A004ZU | RELAY |
| IC22, 23 | BVINJM4558L | IC | RL92 | △ KSL4B003ZW | RELAY |
| IC24 | BVILC4966 | IC | R645~R648 | KRG1ANJ4R7H | RES, METAL, OXIDE FILM |
| IC25 | BVINJM4558L | IC | R661 | | |
| JK21, 22 | KJJ4R012Z | TERMINAL, IN/OUT | R925~R927 | △ KRQ1AJR47H | RES, FUSH |
| JK23 | KJJ4P014Z | JACK, IN/OUT | R928, 929 | △ KRG1ANJ220H | RES, METAL, OXIDE FILM |
| JK24 | KJJ4N026Z | JACK, BOARD | W901 | KWZAAV1100W91 | WIRE ASS'Y |
| X301 | BVFZTA4, 00MG | RESONATOR, CERAMIC | 3. FRONT PCB | | |
| 2. AMP PCB | | | BN31 | KWZAAV1100BN31 | WIRE ASS'Y |
| BK51 | KMD1A081 | BRACKET, PCB | BN32 | KWZAAV1100BN32 | WIRE ASS'Y |
| BN48 | KWZAAV1100BN48 | WIRE ASS'Y | BN33 | KWZAAV1100BN33 | WIRE ASS'Y |
| BN51 | KWZAAV1100BN51 | WIRE ASS'Y | BN81 | KWZAAV1100BN81 | WIRE ASS'Y |
| BN61 | KWZAAV1100BN61 | WIRE ASS'Y | BN82 | KWZAAV1100BN82 | WIRE ASS'Y |
| | | | BN83 | KWZAAV1100BN83 | WIRE ASS'Y |
| | | | BN84 | KWZAAV1100BN84 | WIRE ASS'Y |
| | | | BN85 | KWZAAV1100BN85 | WIRE ASS'Y |
| | | | BN86 | KWZAAV1100BN86 | WIRE ASS'Y |
| | | | BN88 | KWZAAV1100BN88 | WIRE ASS'Y |
| | | | BRK3~BRK6 | KHE170 | HOLDER, PCB |

| REF NO. | PART NO. | DESCRIPTION | REF NO. | PART NO. | DESCRIPTION |
|---------------------|----------------|-----------------------|-----------------------------|----------------|--------------------------|
| CN51 | KJP06GA01ZM | WAFER | L108, 109 | KLOB542KLZ | COIL |
| CN52 | KJP07GA63ZY | WAFER | S101 | KST1A010Z | SW, TACT |
| CN85 | KJP03GA01ZM | WAFER | T100 | KLI2B103-G | I. F. T, AM |
| CN86 | KJP03GB03ZM | WAFER | T101 | KLI3B028Z | I. F. T, FM |
| CN91 | KJP02GA89ZM | WAFER | X101 | BOX07200D320C | CRYSTAL |
| C823 | BCES5R5V104 | CAP, GOLD | X102 | BVFZTB456F11 | RESONATOR, CERAMIC |
| C901 | BCKWKC472MF | CAP, CERAMIC | X103 | BVFLZU450C4N | FILTER, CERAMIC |
| EC81 | BSR2A006Z | VR, ENCODOR | X180 | BOX04332A200C | CRYSTAL |
| FIP1 | BFLFIPCM1551D | F. I. P | | | |
| IC82 | BVINJU3713D | IC | | | |
| IC91~IC93 | BVINJM4558L | IC | | | |
| JK31 | KJJ4M012Z | JACK, VCR (S/W) | | | |
| JK32 | KJJ4M013Z | JACK, VCR (S/W) | | | |
| JK33 | KJJ4M014Z | JACK, VCR (S/W) | | | |
| JK34 | BJJ2E020E | JACK, HEAD PHON | | | |
| RS81 | BRVPNA4612M0HB | SENSOR, REMOCON | | | |
| RS81 | KRGSN5X473J | RES, NETWORK | | | |
| R991, 992 | △ KRG1ANJ391H | RES, METAL OXIDE FILM | | | |
| SW81, 82 | KSH2B017Z | SW, PUSH | | | |
| SW91 | △ KSH1A001ZV | SW, PUSH (MOMS) | | | |
| VR91 | BVVBB03A104Z | VR, MOTOR | | | |
| VR92 | BVV1T01W104Y | RES, VARIABLE | | | |
| VR93, 94 | BVV2W01C104Y | RES, VARIABLE | | | |
| WF52 | KJP07HB60ZY | HOUSING | | | |
| W802 | KWZAV350077 | WIRE, ASS'Y | | | |
| X801 | BOX08000E200C | CRYSTAL | | | |
| 4. TUNER PCB | | | | | |
| BK11 | KMD1A081 | BRACKET, PCB | | | |
| BPF1 | KVFBPMB8 | B. P. F | | | |
| CF21 | KVFSBF450BL | FILTER, CERAMIC | | | |
| CN21 | KJP03GA01ZM | WAFER | | | |
| CN53 | KJP04GA01ZM | WAFER | | | |
| CN81 | KJP12GA19ZM | WAFER | | | |
| CT11, 12 | KCRA020S12 | CAP, VARIABLE | | | |
| C106 | KCQS1H471JZ | CAP, STYROLE | | | |
| C109 | KCQS1H101JZ | CAP, STYROLE | | | |
| D101 | KVDK1236Z | DIODE | | | |
| FE11 | KNVFTA4460H | TUNER, PACK | | | |
| IC11 | BVILM7001 | IC | | | |
| JK11 | KJJ3S006Z | TERMINAL, ANT | | | |
| L101 | KLA4Y106Z | COIL, FILTER | | | |
| L103 | KLA2C004 | COIL, AM ANT1 | | | |
| L104 | KLA2B005 | COIL, LW ANT | | | |
| L105 | KL01B008Z | COIL, AM OSC | | | |
| L106 | KL01B002 | COIL, LW OSC | | | |
| L107 | KLOA183KWCZ | COIL | | | |
| | | | 5. TR ARRAY PCB | | |
| | | | Q506 | △ KVTKTD2058Y | T.R |
| | | | Q509 | △ KVTKTD9980 | T.R |
| | | | Q510 | △ KVTKTB7780 | T.R |
| | | | R520 | △ KRG1ANJ181H | RES, METALOXIDE FILM |
| | | | R521, 522 | △ KRF3CJR27H | RES, CEMENT |
| | | | R523 | △ KRG1ANJ100H | RES, METAL OXIDE FILM |
| | | | WF51 | KJP06HB60ZY | HOUSING, ANGLE |
| | | | WF52 | KJP03HB60ZY | HOUSING |
| | | | 6. REMOCON PCB ASS'Y | | |
| | | | IC10 | BVIANAM1236R | IC, REMOCON |
| | | | C101 | KCEA1EH470T | CAP, ELECT |
| | | | C102, 103 | KCBS1H104ZFT | CAP, CERAMIC |
| | | | C104, 105 | KCBS1H101KBT | CAP, CERAMIC |
| | | | D101 | KVDAL131RD | LED |
| | | | D102 | KVDAFHP52 | LED |
| | | | Q101 | KVTKTC3203YT | T.R |
| | | | R101 | KRD20TJ101T | RES, CARBON |
| | | | R102 | KRD20TJ3R3T | RES, CARBON |
| | | | R103 | KRD20TJ100T | RES, CARBON |
| | | | R104 | KRD20TJ333T | RES, CARBON |
| | | | X101 | BSB455EB1 | RESONATOR, CERAMIC |
| | | | 7. MISCELLANEOUS | | |
| | | | | KSA1A007 | AM LOOP ANT ASS'Y |
| | | | | KSA1A008 | ANT, FM WIRE |
| | | | | △ KLT5R027ZE | TRANS, MAIN |
| | | | F801 | △ KBA2C2000TLE | FUSE |
| | | | | KUR038ANA | REMOTE TRANSMITTER ASS'Y |
| | | | | (RC-S1200) | |