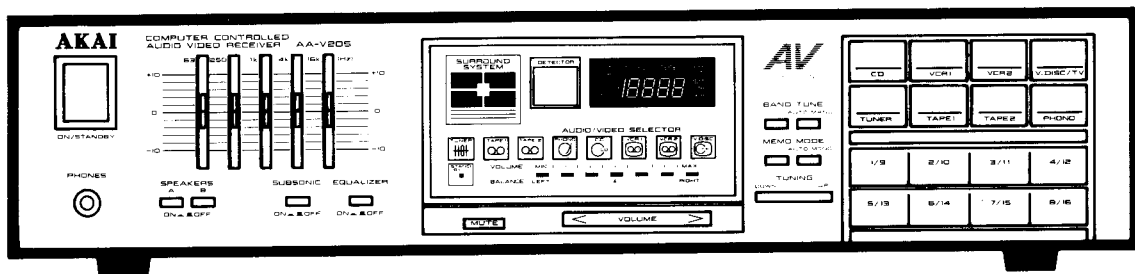


# AKAI SERVICE MANUAL



## COMPUTER CONTROLLED AUDIO VIDEO RECEIVER

## MODEL AA-V205

### SPECIFICATIONS

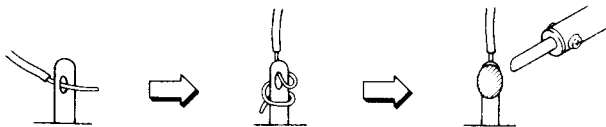
<b>Amplifier Section</b>		<b>Tuner Section</b>	
Power output		<b>FM Tuner</b>	
Rated power output		Tuning frequency range . . . . . 87.5MHz to 108.0MHz	
20Hz to 20 kHz . . . . . 60W/0.05% at 8 ohms		Usable sensitivity . . . . . 11.2dBf	
Output power by FTC		Quieting sensitivity (HF) . . . . . 16.2dBf (Mono)/37.2dBf (Stereo)	
20Hz to 20kHz . . . . . 60W/0.05% at 8 ohms		(S/N = 50dB)	
Output power by F. Norm		Capture ratio . . . . . 1.5	
63Hz to 12.5kHz . . . . . 65W		Selectivity (400kHz) . . . . . 60dB	
Output power by DIN		Image rejection . . . . . 85dB	
1kHz . . . . . 65W		IF rejection . . . . . 90dB	
Music power (Both channels) . . . . . 280W		Spurious rejection . . . . . 80dB	
Power bandwidth		AM suppression . . . . . 60dB	
(IHF -3dB, 8 ohms) . . . . . 5Hz to 70kHz/0.5%		Sub carrier suppression . . . . . 60dB	
S/N (IHF-A)		S/N (IHF) . . . . . 75dB (Mono)/65dB (Stereo)	
PHONO . . . . . 75dB		Harmonic distortion . . . . . 0.1% (Mono)/0.3% (Stereo)	
CO. TAPE . . . . . 98dB		Stereo separation (1kHz) . . . . . 45dB	
Residual noise (8 ohms) . . . . . 0.5mV		Frequency response . . . . . 30Hz to 15kHz ±0.5dB	
Channel separation		<b>AM Tuner</b>	
(HF, 1kHz) . . . . . 65dB		AM tuner section      LW tuner section	
Damping factor		(MW for AA-V205L)      (for AA-V205L)	
(1kHz, 8 ohms) . . . . . 50		Tuning frequency range	
Speaker impedance		USA & Canada . . . . . 530kHz to 1,610kHz      -	
A or B . . . . . 8 to 16 ohms		Other countries . . . . . 531kHz to 1,602kHz      146kHz to 353kHz	
A + B . . . . . 16 ohms		Usable sensitivity	
SURROUND . . . . . 8 ohms		(Loop antenna) . . . . . 300µV/m      800µV/m	
Input sensitivity/Impedance		Selectivity . . . . . 22dB      40dB	
PHONO . . . . . 2.0mV/47kohms		Image rejection . . . . . 45dB      45dB	
CD, TAPE . . . . . 150mV/47kohms		IF rejection . . . . . 35dB      35dB	
V. DISC/VCR (Audio) . . . . . 150mV/47kohms		S/N . . . . . 40dB      35dB	
V. DISC/VCR (Video) . . . . . 1Vp-p/75 ohms		T.H.D. . . . . 1.0%      2.0%	
Output level/Impedance		Power requirements . . . . . 120V, 60Hz for USA & Canada	
TAPE REC . . . . . 150mV/1kohms		220V, 50Hz for Europe except UK	
VCR (Audio) . . . . . 150mV/1kohms		240V, 50Hz for UK & Australia	
MONITOR/VCR (Video) . . . . . 1Vp-p/1kohms		110V/120V/220V/240V, 50Hz/60Hz	
Frequency response		convertible for other countries	
PHONO (RIAA) . . . . . ±0.5dB		Dimensions . . . . . 440(W) × 100(H) × 343(D) mm	
AUX/TAPE . . . . . 5Hz to 100kHz -3dB		(17.3 × 3.9 × 13.5 inches)	
Graphic equalizer		Weight . . . . . 7.4kg (16.3 lbs)	
Control range . . . . . ±10dB			
Center frequency . . . . . 63Hz/250Hz/1kHz/ 4kHz/16kHz			
Phono max. input level			
(1kHz) . . . . . 120mV			

\* For improvement purposes, specifications and design are subject to change without notice.

# ★ SAFETY INSTRUCTIONS

## PRECAUTIONS DURING SERVICING

- Parts identified by the  $\Delta$  symbol parts are critical for safety. Replace only with parts number specified.
- In addition to safety, other parts and assemblies are specified for conformance with such regulations as those applying to spurious radiation. These must also be replaced only with specified replacements.  
Examples: RF converters, tuner units, antenna selector switches, RF cables, noise blocking capacitors, noise blocking filters, etc.
- Use specified internal wiring. Note especially:
  - Wires covered with PVC tubing
  - Double insulated wires
  - High voltage leads
- Use specified insulating materials for hazardous live parts. Note especially:
  - Insulation Tape
  - PVC tubing
  - Spacers (Insulating Barriers)
  - Insulation sheets for transistors
  - Plastic screws for fixing microswitch (especially in turntable)
- When replacing AC primary side components (transformers, power cords, noise blocking capacitors, etc.), wrap ends of wires securely about the terminals before soldering.



- Observe that wires do not contact heat producing parts (heatsinks, oxide metal film resistors, fusible resistors, etc.).

- Check that replaced wires do not contact sharp edged or pointed parts.
- Also check areas surrounding repaired locations.
- Use care that foreign objects (screws, solder droplets, etc.) do not remain inside the set.

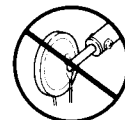
## SAFETY CHECK AFTER SERVICING

Confirm the specified insulation resistance between power cord plug prongs and externally exposed parts of the set is greater than 10 M ohms. but for equipment with external antenna terminals (tuner, receiver, etc.) and is intended for [C] or [A], specified insulation resistance should be headphone jacks line-in-out jacks etc. more than 2.2 M ohms (ground terminals, microphone jacks).

## PRECAUTION FOR THE LITHIUM BATTERY

The LITHIUM BATTERY employed for memory Back up has a explosive probability when the BATTERY itself is excessive heated.

IN CASE OF REPLACING: RESOLDER and SOLDER AS RECOMMENDED WAY.



[DANGER]



[RECOMMENDED WAY]

# ★ INFORMATION

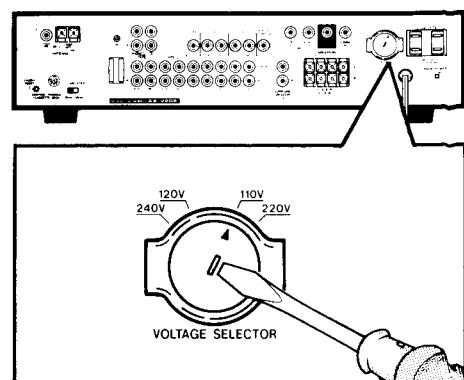
## SYMBOLS FOR PRIMARY DESTINATION

Alphabet indicates the destination of the units as listed below.

Symbols	Principal Destinations
[A]	USA
[B]	UK
[C]	Canada
[E]	Europe (except UK)
[J]	Japan
[S]	Australia
[V]	W. Germany only
[U]	Universal Area
[Y*]	Custom version

## VOLTAGE CONVERSION ([U] Model only)

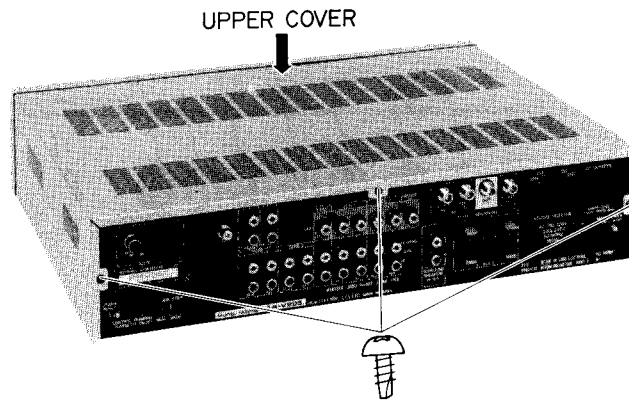
Before connecting the power cord. SET the VOLTAGE SELECTOR located on the rear panel with a screwdriver so that the correct voltage is indicated.



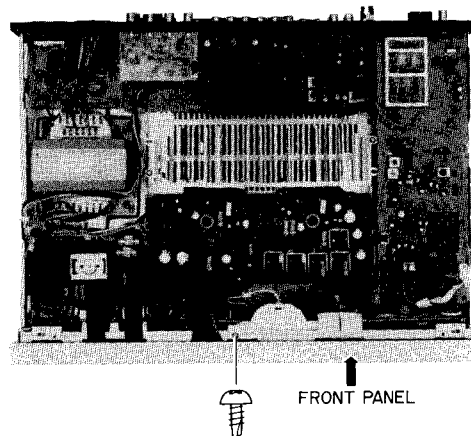
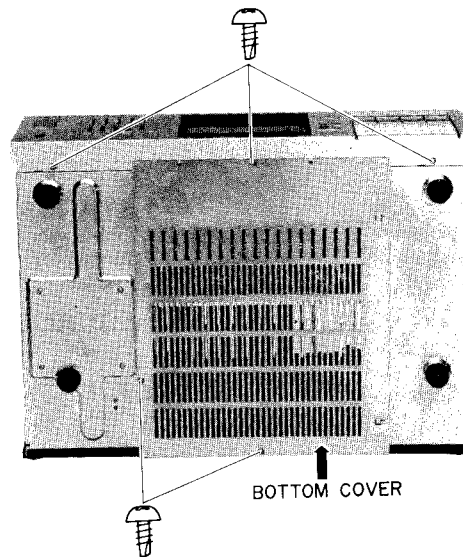
# I. DISMANTLING OF UNIT

In case of trouble, etc. necessitating dismantling, please dismantle in the order shown in the photographs. Reassemble in reverse order.

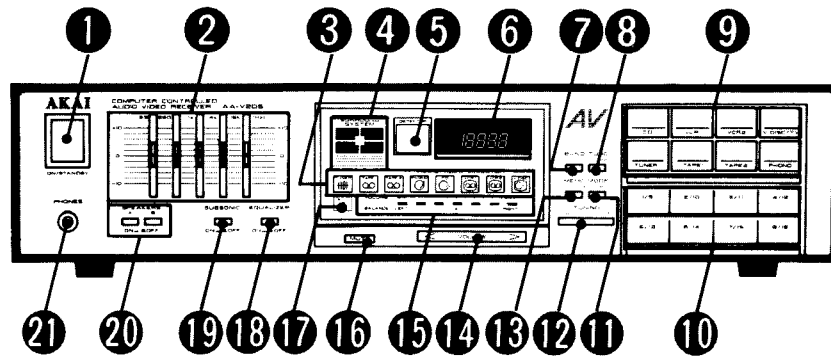
## 1. REMOVAL UPPER COVER



## 2. REMOVAL FRONT PANEL and BOTTOM COVER



## II. CONTROLS



- 1 POWER ON/STANDBY switch**  
To turn ON and OFF the Akai audio video receiver.
- 2 5 band Graphic Equalizer**  
To finely adjust each frequency level.
- 3 AUDIO/VIDEO SELECTOR displays**  
Shows which source is selected for playback or recording.
- 4 Surround ON display**  
Lights when the SURROUND button is depressed.
- 5 DETECTOR window**  
Detects beams from remote control unit.
- 6 LC (liquid crystal) Tuner Display**  
Shows Band, Frequency, AUTO, MONO, and MEMO.
- 7 BAND selector**  
To select band.
- 8 TUNE (AUTO/MANU) selector**  
To select tuning mode automatically or manually during radio reception.
- 9 AV Source Selectors (CD, VCR1, VCR2, V.DISC/TV, TUNER, TAPE1, TAPE2, PHONO)**  
Use these selectors to choose an audio or video source.
- 10 Preset Station (1-8/9-16) Buttons**  
Use these buttons to memorize and recall preset stations.
- 11 MODE AUTO/MONO switch**  
Use this switch to choose Stereo or Monaural reception of FM broadcasts.
- 12 TUNING UP(>)/DOWN (<) Control**  
To tune in radio frequencies.
- 13 MEMO button**  
Use it when memorizing radio stations with the preset station buttons.
- 14 VOLUME Control**  
To adjust the volume level.
- 15 VOLUME/BALANCE display**
- 16 MUTE switch**  
To instantly reduce the volume.
- 17 STANDBY indicator**  
Lights when this unit is connected to an AC power supply and set the MAIN POWER switch to ON (—).
- 18 EQUALIZER ON/OFF switch**  
To turn ON and OFF the graphic equalizer.
- 19 SUBSONIC filter**  
Eliminates ultra low frequency disturbances during record playback.
- 20 SPEAKERS ON( — )/OFF ( ■ ) switches**  
To turn A and B speaker systems ON and OFF.
- 21 PHONES jack**  
For connection of headphones.

### The mute protection circuit system

The Akai audio video receiver has an audio mute system to prevent unwanted noise from damaging the equipment when the power is initially turned on. For the first few seconds, no sound is heard while the mute system is engaged. While the mute system is engaged, the VOLUME display will flash.



### III. PRINCIPAL PARTS LOCATION

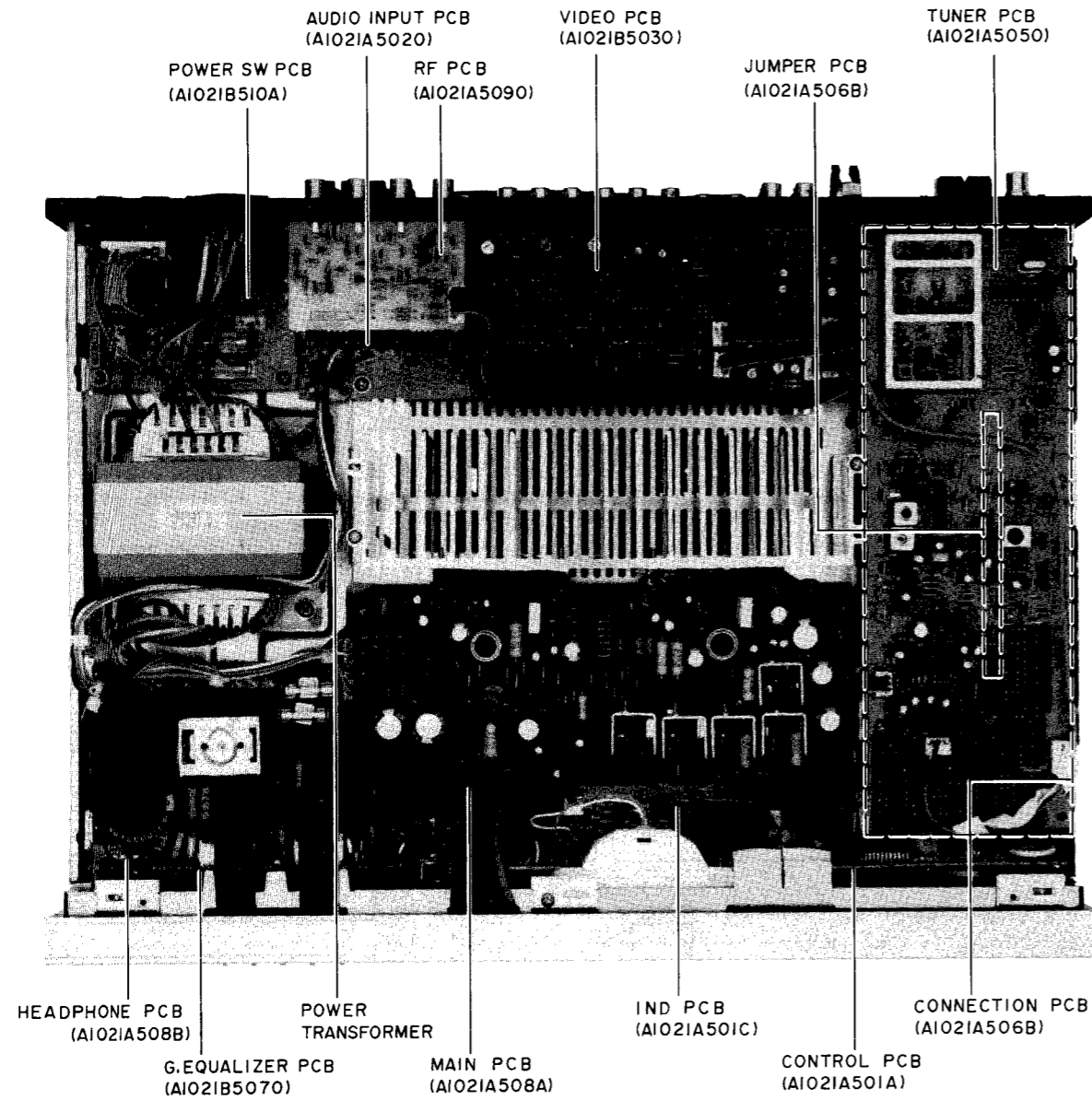


Fig. 3-1 Top View

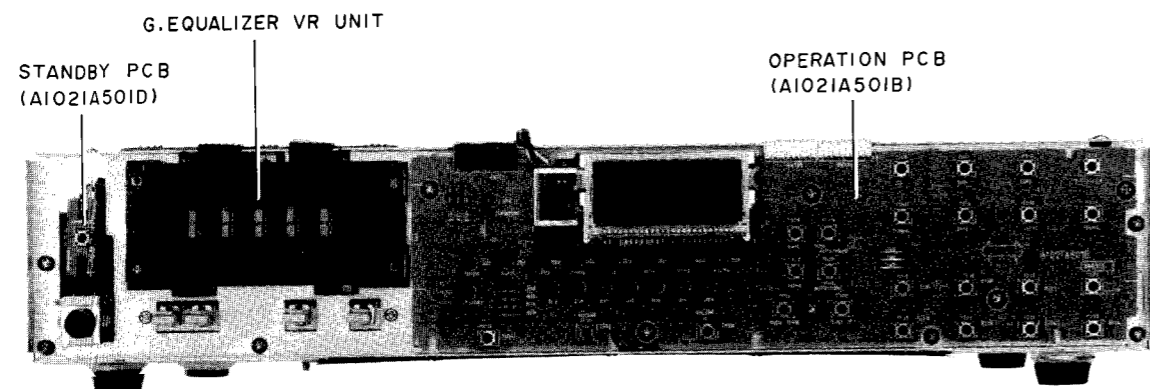


Fig. 3-2 Front View

### IV. ADJUSTMENT

#### 4-1. INSTRUMENT CONNECTIONS

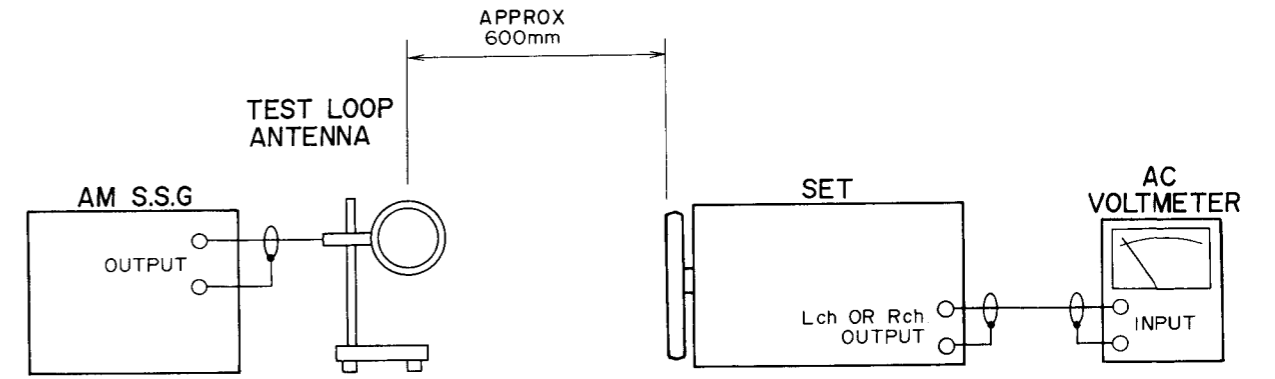


Fig. 4-1 Instrument Connections for AM (MW, LW) Section Adjustment

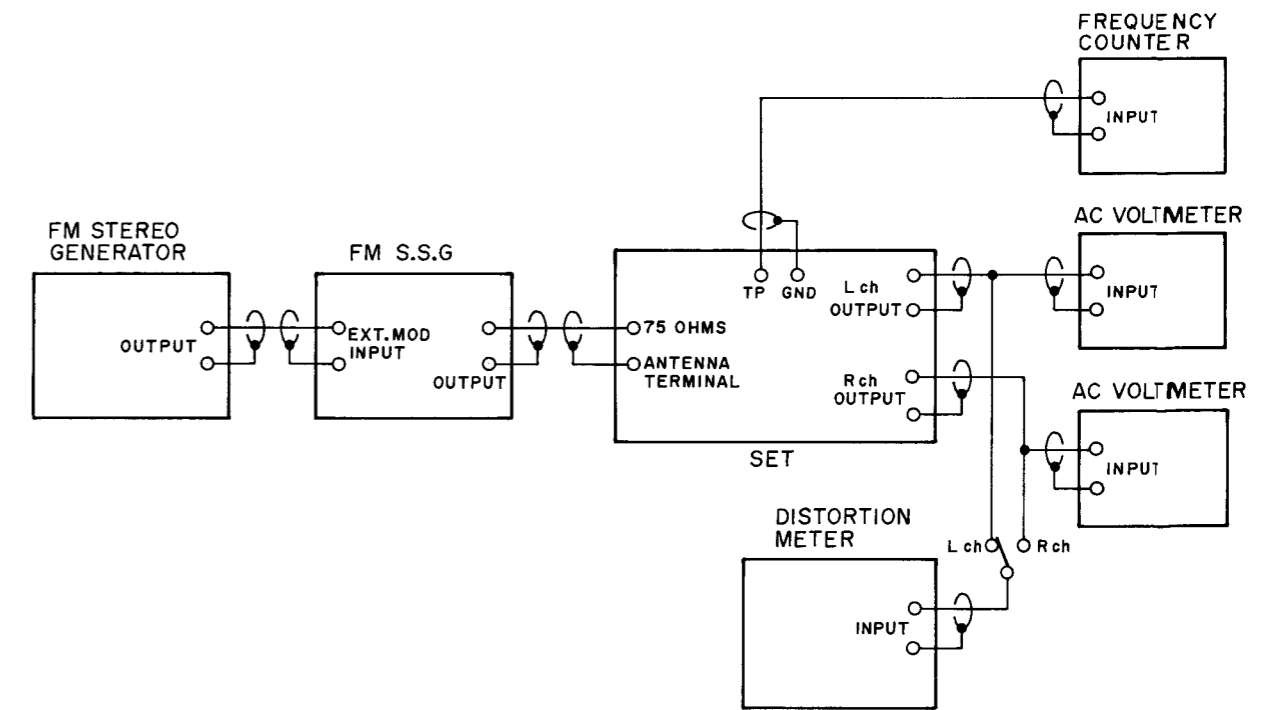


Fig. 4-2 Instrument Connection for FM Section Adjustment

## 4-2. MAIN PC BOARD ADJUSTMENT

\* EXAMPLE

STEP	ADJUSTMENT ITEM
1.	S.S.G. Frequency/ATT.
2.	SET Tuning Frequency
3.	Test Point, ADJUSTMENT PARTS
4.	Result & Remarks

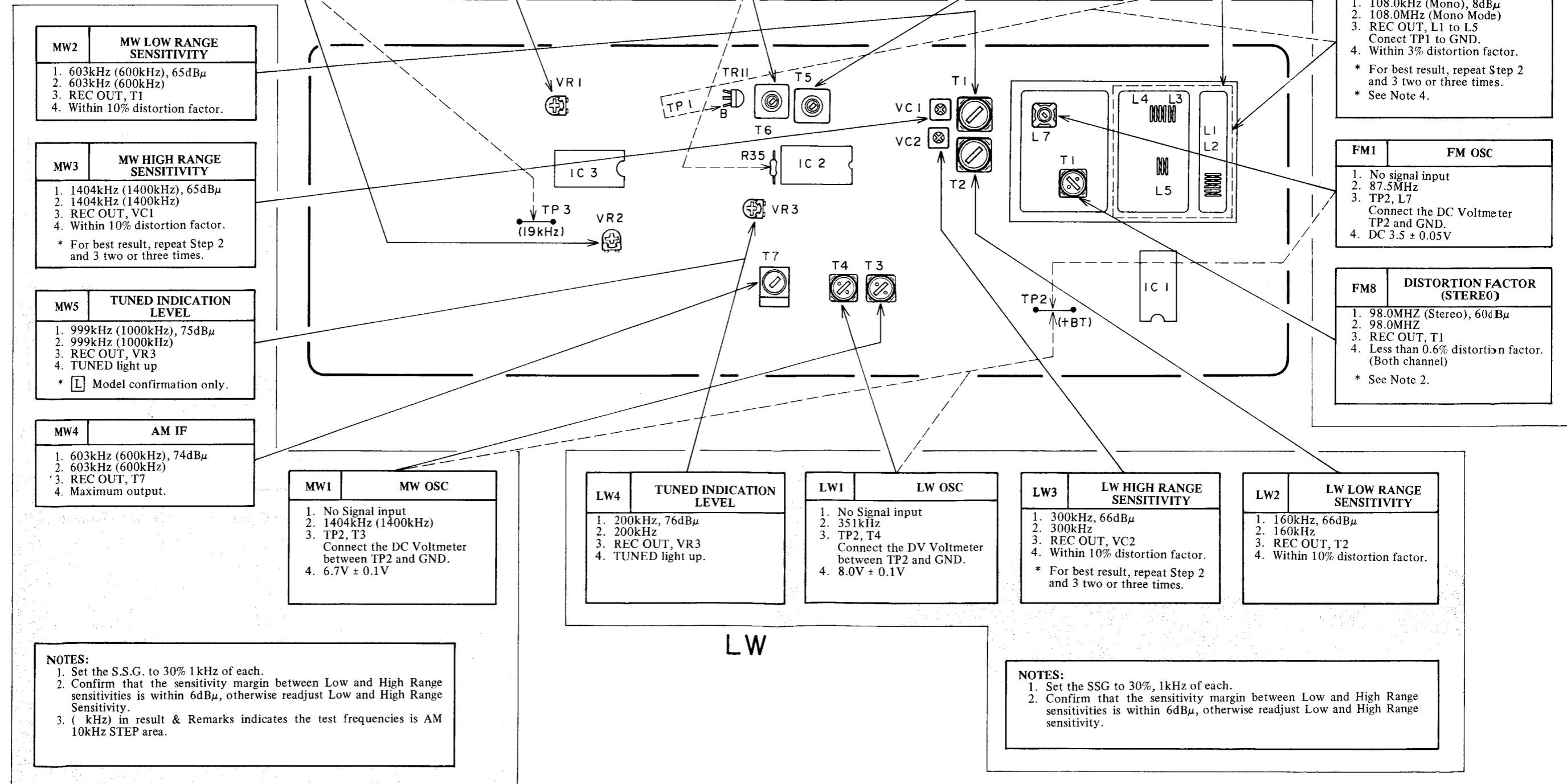
Test Point  
Adjustment Part

### NOTES:

- Set the SSG to 75kHz deviation, 1 kHz for C, A, U, S models, 40kHz deviation, 1 kHz for B, E, V models.
- Readjust step 2 to step 6, in case T1 is turned more than a quarter turn obtaining the proper distortion (STEREO).
- Confirm that the sensitivity margin between Low and High Range sensitivities is within 3dB, otherwise readjust Low and High Range sensitivity.
- In step 2, 3 normally confirmation only, except waved coil by mistake.
- $0dB\mu = 1\mu V$

## FM

## MW



### NOTES:

- Set the S.S.G. to 30% 1kHz of each.
- Confirm that the sensitivity margin between Low and High Range sensitivities is within  $6dB\mu$ , otherwise readjust Low and High Range Sensitivity.
- ( kHz) in result & Remarks indicates the test frequencies is AM 10kHz STEP area.

### NOTES:

- Set the SSG to 30%, 1kHz of each.
- Confirm that the sensitivity margin between Low and High Range sensitivities is within  $6dB\mu$ , otherwise readjust Low and High Range sensitivity.

# V. PARTS LIST

## ATTENTION

1. When placing an order for parts, be sure to list Part No., Model No. and the description of each part. Otherwise, the non-delivery of the part or the delivery of a wrong part may result.
2. Please make sure that Part No. is correct when ordering. If not, a part different from the one you ordered may be delivered.
3. Since the parts shown in Parts List of Preliminary Service Manual may have been the subject of changes, please use this Parts List for all future reference.

## HOW TO USE THIS PARTS LIST

1. This Parts List lists those parts which are considered necessary for repairs. Other common parts, such as resistors and capacitors, are listed in the "Common List for Service Parts" from which these parts should be selected and stocked.
2. The Recommended Spare Parts List shows those parts in the Parts List which are considered particularly important for service.
3. Parts not shown in the Parts List and "Common List for Service Parts" will not in principle be supplied.
4. How to read the Parts List.

a) Mechanism Block

b) PC Board

### 2. HEAD BASE BLOCK

REF. NO.	PART NO.	DESCRIPTION
2-1x	BH-T2023A320A	HEAD BASE BLOCK
2-2	HP-H2206A010A	HEAD R/P PR4-8FU C
2-3	ZS-477876	PAN20x03STL CMT
2-4	ZS-536488	BID20x08STL CMT
2-5	ZG-402895	SP CS ANGLE ADJUST

- SP (Service Parts) Classification
- A small "x" indicates that this part is not shown in the Photo or Illustration.
- This number corresponds with the individual parts index number in that figure.
- This number corresponds with the Figure Number.

### 6. MAIN PC BOARD

REF. NO.	PART NO.	DESCRIPTION
6-IC1	EI-324536	IC HD14049BP
6-IC2	EI-336801	IC MB8841-564M
6-C1A	EC-338399	C MMY V 223M 250AC [U,E,B,S]
6-C1B	EC-350949	C MMY V 223M 250DC [J]
6-C1C	EC-338397	C MMY V 223M 125AC [C,A]
6-X1	EI-318384	OSC X'TAL NC-18C

- Symbols for primary destination
- [A]: AAL(U.S.A.) [S]: SAA(Australia)
- [B]: BEAB(England) [U]: U/T(Universal Area)
- [C]: CSA(Canada) [V]: VDE(W. Germany)
- [E]: CEE(Europe) [Y]: Custom Version
- [J]: JPN(Japan)
- SP (Service Parts) Classification
- These reference symbols correspond with component symbols in the Schematic Diagrams.

The available PC Board Blocks are listed separately.

5. When Part No. is known, Parts Index at end of Parts List can be used to locate where that part is shown in Parts List by its Reference No. listed at right of Part No.

## WARNING

⚠ (\*) INDICATES SAFETY CRITICAL COMPONENTS. FOR CONTINUED SAFETY, REPLACE SAFETY CRITICAL COMPONENTS ONLY WITH MANUFACTURE'S RECOMMENDED PARTS.

## AVERTISSEMENT

⚠ (\*) IL INDIQUE LES COMPOSANTS CRITIQUES DE SÉCURITÉ. POUR MAINTENIR LE DEGRÉ DE SÉCURITÉ DE L'APPAREIL, NE REMPLACER QUE DES PIÈCES RECOMMANDÉES PAR LE FABRICANT.

## 1. RECOMMENDED SPARE PARTS

We suggest you to stock the following Recommended Spare Part items listed below since they can cover most of the routine service.

Ref. No.	Part No.	Description
1	*BT-366324	TRANS POWER A1021-BS
2	*BT-366321-A	TRANS POWER A1021-CA
3	*BT-366323	TRANS POWER A1021-EV
4	*BT-366320	TRANS POWER A1021-U
5	ED-321269	D LED GL-5PR6 RED
6	ED-705414	D LED SE303A INFRARED
7	ED-361885	D LED SLP284C-51U GREEN
8	ED-367216	D PHOT PN323B-LF
9	ED-718039	D SILICON DAN201
10	ED-330319	D SILICON DBA10B 100/1.0A
11	ED-200749	D SILICON DBA60-K15 400/6.0A
12	ED-357754	D SILICON DS135D 200/1.0A
13	ED-348990	D SILICON H DS446
14	ED-301911	D SILICON H DS448
15	ED-344280	D SILICON H GMA-01-FY2 F05
16	ED-366337	D SILICON H 1SS241
17	ED-349460	D VARACTOR SVC321 A,B,C,D DBL
18	ED-349448	D VARACTOR 1SV147
19	ED-365378	D ZENER H HZS13E F05 B2
20	ED-365463	D ZENER H HZS16E F05 B2
21	ED-346613	D ZENER H HZ11 C3
22	ED-315759	D ZENER H HZ16 1
23	ED-306316	D ZENER H HZ5 C2
24	ED-309069	D ZENER H HZ6 B2
25	ED-337265	D ZENER H HZ6 C2
26	ED-306012	D ZENER H HZ7 A3
27	ED-318859	D ZENER H HZ9 C2
28	*EF-359007	FUSE BET T 250V 1.25A [B]
29	*EF-358641	FUSE BET T 250V 800MA [B]
30	*EF-602550	FUSE SEMKO T 250V 1.25A [E,V,S]
31	*EF-258344	FUSE SEMKO T 250V 800MA [E,V,S]
32	*EF-306950	FUSE TSC A 250V 2.00A [U]
33	*EF-309388	FUSE TSC A 250V 800MA [U]
34	*EF-310229	FUSE TSC 125V 1.00A [C,A]
35	*EF-323080	FUSE TSC 125V 3.15A [C,A]
36	EH-344434	FILTER CE BFU450C4N 0.450MHZ
37	EH-355568	FILTER CE SFE10.7MS2GY-A
38	EH-338338	FILTER CE SFE10.7MS3GK-A [V]
39	EH-360924	FILTER LC BP BPMB6A
40	EH-363344	FILTER LC LP 123-5010-03 [V]
41	EH-370069	FILTER LC LP 42B-1081-00
42	EI-370303	IC A1021-A 9453
43	EI-354401	IC BU4066B
44	EI-361624	IC LA1265
45	EI-356370	IC LA7224
46	EI-361230	IC LC7580
47	EI-361622	IC LM7001
48	EI-337228	IC M5218L
49	EI-349719	IC M5218P
50	EI-344764	IC M5218P-21
51	EI-355211	IC M5227P
52	EI-300042	IC M54519P
53	*EI-366366	IC STK4038II
54	EI-343373	IC TC9156AP
55	EI-366327	IC TC9162N
56	EI-349392	IC TC9164N
57	EI-351966	IC TC9176P
58	EI-351849	IC UPC1235C
59	EI-354080	IC UPC1237H
60	EI-749983	IC UPD1943G

Ref. No.	Part No.	Description
61	EI-710037	OSC CE CSB455E 455KHZ
62	EI-330256	OSC CE F85-006 4MHZ
63	EI-344422	OSC X'TAL HC-18/10 7.200MHZ
64	EM-366356	IND LCD LCD9437P
65	*EQ-337159	RELAY POW G4Z-2282P 2NO 24V
66	EQ-366328	RELAY SIG G4S 1112P-B 1NO 12V
67	ER-353343	R FUSE ERD2FC S10 1/4W 100J
68	*ER-200595	R FUSE ERD2FC S10 1/4W 5R6J
69	*ER-200746	R FUSE ERD2FC 1/4W 1000G
70	*ER-353343	R FUSE ERD2FC S10 1/4W 100J
71	ER-365402	R CT P F09 PLATE 3W R10K
72	*ES-366363	SW PUSH ESB621630 4 THROW
73	*ES-337902	SW PUSH SDLD1P 01-1
74	*ES-349070	SW SELECTOR YKS11-0002 02-4
75	ES-360115	SW SLIDE 00120262 01-02S
76	ES-349474	SW TACT SKHHAM004A
77	ES-359172	SW TACT SKHHAP
78	ES-366019	SW TACT 2401422-8A
79	ET-363953	TR DTA114TS
80	ET-360646	TR DTA143ES F05
81	ET-354415	TR DTA144ES
82	ET-353897	TR DTC114ES
83	ET-360399	TR DTC114TS
84	ET-354371	TR DTC124ES
85	ET-364060	TR DTC143ES
86	ET-354414	TR DTC144ES
87	ET-354094	TR DTC144WS
88	ET-349449	TR FET 2SK161 O,Y
89	ET-352055	TR FET 2SK170 V
90	ET-352408	TR FET 2SK192A GR
91	ET-337759	TR FET 2SK246 GR
92	ET-353899	TR 2SA1317 S,T,U
93	ET-349718	TR 2SA1392 S,T
94	ET-305463	TR 2SA970 GR,BL
95	ET-366365	TR 2SB1185 E,F
96	ET-307195	TR 2SC2240 GR,BL
97	ET-338410	TR 2SC2878 A,B
98	ET-336869	TR 2SC2999 C,D
99	ET-360067	TR 2SC3330 T,U F05
100	ET-349081	TR 2SC3383 S,T
101	ET-356437	TR 2SC930 D2,E,F
102	ET-328265	TR 2SC930 F
103	ET-718040	TR 2SD1468
104	ET-366581	TR 2SD1762 E,F
105	ET-310148	TR 2SD612K E,F
106	EV-366319	VR SPECIAL 2THROWX5 30MM
107	EZ-358816	BATTERY LITHIUM BR2032-1HF

## 2. P.C BOARD BLOCK

Ref. No.	Part No.	Description
2-1A	BA-A1021E030A	PC AUDIO INPUT BLK AA-V205(U) [EXCEPT V]
2-1B	BA-A1021E030B	PC AUDIO INPUT BLK AA-V205(V) [V]
2-2A	BA-A1021E040A	PC V-INPUT BLK AA-V205(U,C,A)
2-2B	BA-A1021E040B	PC V-INPUT BLK AA-V205(E,B,S)
2-2C	BA-A1021E040C	PC VIDEO INPUT BLK AA-V205(V)
2-3A	BA-A1021E070A	PC CONTROL BLK AA-V205(U)
2-3B	BA-A1021E070B	PC CONTROL BK AA-V205(C,A)
2-3C	BA-A1021E070C	PC CONTROL BLK AA-V205(E,V,S)
2-3D	BA-A1021E070D	PC CONTROL BLK AA-V205(L,E,B)
2-4A	BA-A1021E090A	PC(≠) MAIN BLK AA-V205(U)
2-4B	BA-A1021E090B	PC(≠) MAIN BLK AA-V205(C,A)
2-4C	BA-A1021E090C	PC(≠) MAIN BLK AA-V205(E,V,B,S)
2-4D	BA-A1021E090D	PC(≠) MAIN BLK AA-V205(V)
2-5A	BA-A1021E100A	PC TUNER BLK AA-V205(U)
2-5B	BA-A1021E100B	PC TUNER BLK AA-V205(C,A)
2-5C	BA-A1021E100C	PC TUNER BLK AA-V205(E)
2-5D	BA-A1021E100D	PC TUNER BLK AA-V205(V)
2-5E	BA-A1021E100E	PC TUNER BLK AA-V205(S)
2-5F	BA-A1021E100F	PC TUNER BLK AA-V205(L,E,B)
2-6A	BA-F0141C010A	PC FRONT END BLK FE41(U) [EXCEPT V]
2-6B	BA-F0141A010B	PC FRONT END BLK FE41(V) [V]

NOTE: (1) PC CONTROL BLK consists of following PC BOARDS.

\*CONTROL PC BOARD, \*OPERATION PC BOARD, \*IND PC BOARD, \*TACT SW PC BOARD.

NOTE: (2) PC (#) MAIN BLK consists of following PC BOARDS.

\*MAIN PC BOARD, \*HEAD PHONE PC BOARD, \*PL PC BOARD.

## 3. MAIN P.C BOARD

Ref. No.	Part No.	Description
3-C1	EC-366358	C EC V CUT 682M 50.0DC
3-C2	EC-366358	C EC V CUT 682M 50.0DC
3-C3	EC-324109	C STY V S05 CQFS 181J 50DC
3-C4	EC-324109	C STY V S05 CQFS 181J 50DC
3-C14	EC-328070	C CE V F05 SL 101K 500DC
3-C17	EC-328070	C CE V F05 SL 101K 500DC
3-D1	*ED-200749	D SILICON DBA60-K15 400/6.0A
3-D2	*ED-330319	D SILICON DBA10B 100/1.0A
3-D3	ED-365463	D ZENER H HZS16E F05 B2
3-D4	ED-365463	D ZENER H HZS16E F05 B2
3-D5	ED-315759	D ZENER H HZ16 1
3-D6	ED-346613	D ZENER H HZ11 C3
3-D7	ED-309069	D ZENER H HZ6 B2
3-D8	ED-309069	D ZENER H HZ6 B2
3-D9	ED-301911	D SILICON H DS448
3-D10	ED-315759	D ZENER H HZ16 1
3-D11	ED-348990	D SILICON H DS446
3-D12	ED-348990	D SILICON H DS446
3-D13	ED-348990	D SILICON H DS446
3-D14	ED-301911	D SILICON H DS448
3-D15	ED-301911	D SILICON H DS448
3-D16	ED-301911	D SILICON H DS448
3-D17	ED-365378	D ZENER H HZS13E F05 B2
3-D18	ED-306012	D ZENER H HZ7 A3
3-D19	ED-337265	D ZENER H HZ6 C2

3-IC1	*EI-366366	IC STK4038II
3-IC2	EI-354080	IC UPC1237H
3-L1	EO-332116	COIL FIX 2 103AK-006A 2R2K
3-RL1	*EQ-337159	RELAY POW G4Z-2282P 2NO 24V
3-RL2	*EQ-337159	RELAY POW G4Z-2282P 2NO 24V
3-R1	ER-316802	R CB H S10 FS RDS 1/4W 471J
3-R2	ER-316802	R CB H S10 FS RDS 1/4W 471J
3-R3	ER-200944	R CB H S10 FS RDS 1/4W 152J
3-R4	ER-200944	R CB H S10 FS RDS 1/4W 152J
3-R5	ER-316802	R CB H S10 FS RDS 1/4W 471J
3-R6	ER-316802	R CB H S10 FS RDS 1/4W 471J
3-R7	ER-333074	R OMF H S20 FS 2W 910J
3-R8	ER-333074	R OMF H S20 FS 2W 910J
3-R10	*ER-353343	R FUSE ERD2FC S10 1/4W 100J
3-R12	*ER-353343	R FUSE ERD2FC S10 1/4W 100J
3-R20	*ER-353343	R FUSE ERD2FC S10 1/4W 100J
3-R23	ER-365331	R OMF H S15 FS 1W 822J
3-R30	*ER-200746	R FUSE ERD2FC 1/4W 1000G
3-R32	*ER-200746	R FUSE ERD2FC 1/4W 1000G
3-R33	ER-365402	R CT P F09 PLATE 3W R10K
3-R37	ER-359520	R OMF H S20 FS 2W 120J
3-R40	ER-366389	R OMF H S15 FS 1W 183J
3-R44	ER-359520	R OMF H S20 FS 2W 120J
3-R49	ER-333067	R OMF H S20 FS 2W 821J
3-R50	ER-333067	R OMF H S20 FS 2W 821J
3-R51	*ER-200595	R FUSE ERD2FC S10 1/4W 5R6J
3-R53	ER-316802	R CB H S10 FS RDS 1/4W 471J
3-R54	ER-333023	R OMF H S20 FS 2W 100J
3-R55	*ER-353343	R FUSE ERD2FC S10 1/4W 100J
3-SW1	ES-366363	SW PUSH ESB621630 4 THROW
3-TR1	ET-337759	TR FET 2SK246 GR
3-TR2	ET-337759	TR FET 2SK246 GR
3-TR3	*ET-366581	TR 2SD1762 E,F
3-TR4	*ET-366365	TR 2SB1185 E,F
3-TR5	ET-349081	TR 2SC3383 S,T
3-TR6	ET-349718	TR 2SA1392 S,T
3-TR7	*ET-366581	TR 2SD1762 E,F
3-TR8	*ET-366365	TR 2SB1185 E,F
3-TR9	ET-349718	TR 2SA1392 S,T
3-TR10	ET-349081	TR 2SC3383 S,T
3-TR11	*ET-310148	TR 2SD612K E,F
3-TR12	ET-352055	TR FET 2SK170 V
3-TR13	ET-307195	TR 2SC2240 GR,BL
3-TR14	ET-305463	TR 2SA970 GR,BL
3-TR15	ET-337759	TR FET 2SK246 GR
3-TR16	*ET-366581	TR 2SD1762 E,F
3-F3A	*EF-309388	FUSE TSC A 250V 800MA [U]
3-F3B	*EF-310229	FUSE TSC 125V 1.00A [C,A]
3-F3C	*EF-258344	FUSE SEMKO T 250V 800MA [E,V,S]
3-F3D	*EF-358641	FUSE BET T 250V 800MA [B]
3-F4A	*EF-309388	FUSE TSC A 250V 800MA [U]
3-F4B	*EF-310229	FUSE TSC 125V 1.00A [C,A]
3-F4C	*EF-258344	FUSE SEMKO T 250V 800MA [E,V,S]
3-F4D	*EF-358641	FUSE BET T 250V 800MA [B]

#### 4. TUNER P.C BOARD

Ref. No.	Part No.	Description
4-D1	ED-306316	D ZENER H HZ5 C2
4-D2	ED-344280	D SILICON H GMA-01-FY2 F05
4-D3	ED-318859	D ZENER H HZ9 C2
4-D4	ED-349460	D VARACTER SVC321 A,B,C,D DBL
4-D5	ED-349460	D VARACTER SVC321 A,B,C,D DBL
4-D6	ED-344280	D SILICON H GMA-01-FY2 F05 [AA-V205L]
4-D7	ED-344280	D SILICON H GMA-01-FY2 F05 [AA-V205L]
4-D8	ED-344280	D SILICON H GMA-01-FY2 F05
4-D9	ED-344280	D SILICON H GMA-01-FY2 F05
4-D10	ED-344280	D SILICON H GMA-01-FY2 F05
4-D11	ED-344280	D SILICON H GMA-01-FY2 F05
4-FL1	EH-355568	FILTER CE SFE10.7MS2GY-A [EXCEPT V]
4-FL1A	EH-338338	FILTER CE SFE10.7MS3GK-A [V]
4-FL2	EH-355568	FILTER CE SFE10.7MS2GY-A
4-FL3	EH-344434	FILTER CE BFU450C4N 0.450MHZ
4-FL4	EH-363344	FILTER LC LP 123-5010-03 [V]
4-FL6	EH-370069	FILTER LC LP 42B-1081-00
4-FL7	EH-370069	FILTER LC LP 42B-1081-00
4-FL8	EH-360924	FILTER LC BP BPMB6A [V]
4-IC1	EI-361622	IC LM7001
4-IC2	EI-361624	IC LA1265
4-IC3	EI-351849	IC UPC1235C
4-R10	ER-365172	R OMF H S12 FS 1W 331J
4-R16	ER-327710	R CB H S10 FS RDS 1/4W 151J
4-R25	ER-306805	R CB H S15 FS RDS 1/2W 101J
4-R31	ER-327710	R CB H S10 FS RDS 1/4W 151J
4-R35	ER-333406	R CB H S10 FS RDS 1/4W 363J
4-R59	ER-327710	R CB H S10 FS RDS 1/4W 151J
4-TM1	EJ-359031	TERMINAL LEVER YKD31-0215 P 2P
4-T1	EO-337598	COIL VARI 2 25A-1353-01 [AA-V205L]
4-T1A	EO-370070	COIL VARI 2 25A-5463-30 [AA-V205L]
4-T2	EO-337599	COIL VARI 2 25A-1354-03 [AA-V205L]
4-T3	EO-363279	COIL OSC 2 A7NRS-9857X 150.0UH
4-T4	EO-352089	COIL OSC 2 7BRS-9098X 580.0UH [AA-V205L]
4-T5	EO-363291	COIL DET 2 78-1128-01
4-T6	EO-361630	COIL DET 2 78-1126-02
4-T7	EO-356732	COIL IFT BCFLZ-450A
4-TR1	ET-337759	TR FET 2SK246 GR
4-TR2	ET-349081	TR 2SC3383 S,T
4-TR3	ET-353899	TR 2SA1317 S,T,U
4-TR4	ET-353899	TR 2SA1317 S,T,U
4-TR5	ET-338410	TR 2SC2878 A,B [AA-V205L]
4-TR6	ET-352408	TR FET 2SK192A GR [AA-V205L]
4-TR7	ET-354094	TR DTC144WS [AA-V205L]
4-TR8	ET-354094	TR DTC144WS [AA-V205L]
4-TR9	ET-353897	TR DTC114ES [AA-V205L]
4-TR10	ET-356437	TR 2SC930 D2,E,F
4-TR11	ET-308141	TR 2SC2603 G F05
4-TR12	ET-308141	TR 2SC2603 G F05
4-TR13	ET-349081	TR 2SC3383 S,T
4-TR14	ET-349081	TR 2SC3383 S,T
4-TR15	ET-354094	TR DTC144WS
4-VC1	EC-359065	C S-FIX H CTC-6U-020 4.3-20 [AA-V205L]
4-VC1A	EC-363331	C S-FIX H CTC-6U-030 5.5-30 [AA-V205L]
4-VC2	EC-370071	C S-FIX H CTC-6U-040 7.7-40 [AA-V205L]
4-VR1	EV-361673	R S-FIX H RH0615CN5J 3P 334
4-VR2	EV-356576	R S-FIX H RH0615CS3J 3P 472

Ref. No.	Part No.	Description
4-VR3	EV-356577	R S-FIX H RH0615C14J 3P 103
4-X1	EI-344422	OSC X'TAL HC-18/U 7.200MHZ

#### 5. CONTROL P.C BOARD

Ref. No.	Part No.	Description
5-BT1	*EZ-358816	BATTERY LITHIUM BR2032-1HF
5-D1	ED-301911	D SILICON H DS448 [AA-V205L]
5-D3	ED-301911	D SILICON H DS448 [C,A]
5-D4	ED-301911	D SILICON H DS448 [U]
5-D5	ED-301911	D SILICON H DS448
5-D6	ED-301911	D SILICON H DS448
5-D7	ED-301911	D SILICON H DS448
5-IB1	EH-366351	COMP R RKC8BS 472J
5-IB2	EH-366351	COMP R RKC8BS 472J
5-IB3	EH-361669	COMP R RKC4BS 472J
5-IB4	EH-361669	COMP R RKC4BS 472J
5-IB5	EH-366353	COMP R RKC7BS 472J
5-IC1	EI-370303	IC A1021-A 9453
5-IC2	EI-356370	IC LA7224
5-IC3	EI-300042	IC M54519P
5-L1	EO-330719	COIL FIX 1 187LY-103K 103K
5-TR1	ET-360646	TR DTA143ES F05
5-TR2	ET-364060	TR DTC143ES
5-TR3	ET-354415	TR DTA144ES [U]
5-TR4	ET-354371	TR DTC124ES
5-X1	EI-330256	OSC CE F85-006 4MHZ

## 6. OPERATION P.C BOARD

Ref. No.	Part No.	Description
6-D10	ED-367216	D PHOT PN323B-LF
6-D11	ED-321269	D LED GL-5PR6 RED
6-D12	ED-361885	D LED SLP284C-51U GREEN
6-D13	ED-361885	D LED SLP284C-51U GREEN
6-D14	ED-361885	D LED SLP284C-51U GREEN
6-D15	ED-361885	D LED SLP284C-51U GREEN
6-D16	ED-361885	D LED SLP284C-51U GREEN
6-D17	ED-361885	D LED SLP284C-51U GREEN
6-D18	ED-361885	D LED SLP284C-51U GREEN
6-D19	ED-361885	D LED SLP284C-51U GREEN
6-D20	ED-361885	D LED SLP284C-51U GREEN
6-D21	ED-361885	D LED SLP284C-51U GREEN
6-D22	ED-361885	D LED SLP284C-51U GREEN
6-D23	ED-361885	D LED SLP284C-51U GREEN
6-D24	ED-361885	D LED SLP284C-51U GREEN
6-D25	ED-361885	D LED SLP284C-51U GREEN
6-D26	ED-361885	D LED SLP284C-51U GREEN
6-D27	ED-361885	D LED SLP284C-51U GREEN
6-TS10	ES-349474	SW TACT SKHHAM004A
6-TR11	ES-349474	SW TACT SKHHAM004A
6-TS12	ES-349474	SW TACT SKHHAM004A
6-TS13	ES-349474	SW TACT SKHHAM004A
6-TS14	ES-349474	SW TACT SKHHAM004A
6-TS15	ES-349474	SW TACT SKHHAM004A
6-TS16	ES-349474	SW TACT SKHHAM004A
6-TS17	ES-349474	SW TACT SKHHAM004A
6-TS18	ES-349474	SW TACT SKHHAM004A
6-TS19	ES-349474	SW TACT SKHHAM004A
6-TS20	ES-349474	SW TACT SKHHAM004A
6-TS21	ES-349474	SW TACT SKHHAM004A
6-TS22	ES-349474	SW TACT SKHHAM004A
6-TS23	ES-349474	SW TACT SKHHAM004A
6-TS24	ES-349474	SW TACT SKHHAM004A
6-TS25	ES-349474	SW TACT SKHHAM004A
6-TS26	ES-349474	SW TACT SKHHAM004A
6-TS27	ES-349474	SW TACT SKHHAM004A
6-TS28	ES-349474	SW TACT SKHHAM004A
6-TS29	ES-349474	SW TACT SKHHAM004A
6-TS30	ES-349474	SW TACT SKHHAM004A
6-TS31	ES-349474	SW TACT SKHHAM004A
6-TS32	ES-349474	SW TACT SKHHAM004A
6-TS33	ES-349474	SW TACT SKHHAM004A
6-TS34	ES-349474	SW TACT SKHHAM004A

## 7. RF P.C BOARD

Ref. No.	Part No.	Description
7-D1	ED-344280	D SILICON H GMA-01-FY2 F05
7-D2	ED-344280	D SILICON H GMA-01-FY2 F05
7-D3	ED-344280	D SILICON H GMA-01-FY2 F05
7-D4	ED-344280	D SILICON H GMA-01-FY2 F05
7-D5	ED-344280	D SILICON H GMA-01-FY2 F05
7-D6	ED-344280	D SILICON H GMA-01-FY2 F05
7-D7	ED-366337	D SILICON H 1SS241
7-D8	ED-366337	D SILICON H 1SS241
7-D9	ED-366337	D SILICON H 1SS241
7-D10	ED-366337	D SILICON H 1SS241
7-D11	ED-366337	D SILICON H 1SS241
7-D12	ED-366337	D SILICON H 1SS241
7-D13	ED-366337	D SILICON H 1SS241
7-D14	ED-366337	D SILICON H 1SS241
7-D15	ED-366337	D SILICON H 1SS241
7-TM1	EJ-366338	JACK PLATE F CONNECTOR 4P
7-TR1	ET-363953	TR DTA114TS
7-TR2	ET-363953	TR DTA114TS
7-TR3	ET-363953	TR DTA114TS

## 8. VIDEO P.C BOARD

Ref. No.	Part No.	Description
8-IC1	EI-344764	IC M5218P-21
8-IC2	EI-354401	IC BU4066B
8-IC3	EI-354401	IC BU4066B
8-PJ1	EJ-366334	PIN J T5858 P 4P
8-PJ2	EJ-366335	PIN J T6125-BAAA P 3P
8-PJ3	EJ-366335	PIN J T6125-BAAA P 3P
8-R9	ER-327710	R CB H S10 FS RDS 1/4W 151J
8-R10	ER-327710	R CB H S10 FS RDS 1/4W 151J
8-TR1	ET-360067	TR 2SC3330 T,U F05
8-TR2	ET-360067	TR 2SC3330 T,U F05
8-TR3	ET-360067	TR 2SC3330 T,U F05
8-TR4	ET-360067	TR 2SC3330 T,U F05
8-TR5	ET-360067	TR 2SC3330 T,U F05
8-TR6	ET-363953	TR DTA114TS
8-TR7	ET-363953	TR DTA114TS
8-TR8	ET-363953	TR DTA114TS
8-TR9	ET-360399	TR DTC114TS
8-TR10	ET-360399	TR DTC114TS

## 9. FRONT END P.C BOARD

Ref. No.	Part No.	Description
9-D1	ED-349448	D VARACTOR 1SV147
9-D2	ED-349448	D VARACTOR 1SV147
9-D3	ED-349448	D VARACTOR 1SV147
9-D4	ED-349448	D VARACTOR 1SV147
9-L1	EO-349461	COIL FIX 2 LINK
9-L2	EO-349462	COIL FIX 2 U147
9-L3	EO-349461	COIL FIX 2 LINK
9-L4	EO-349462	COIL FIX 2 U147
9-L5	EO-349462	COIL FIX 2 U147
9-L6	EO-359056	COIL FIX 1 LAL03NA 2R2M
9-L7	EO-353687	COIL OSC 2 E525HN-110003
9-TR1	ET-349449	TR FET 2SK161 O.Y
9-TR2	ET-336869	TR 2SC2999 C.D
9-TR3	ET-328265	TR 2SC930 F
9-TR4	ET-349449	TR FET 2SK161 O.Y
9-T1	EO-337640	COIL IFT 119AC-15533X 10.7MHZ

## 10. AUDIO INPUT P.C BOARD

Ref. No.	Part No.	Description
10-D1	ED-357754	D SILICON DS135D 200/1.0A
10-IC1	EI-349392	IC TC9164N
10-IC2	EI-366327	IC TC9162N
10-IC3	EI-337228	IC M5218L
10-IC4	EI-337228	IC M5218L
10-PJ1	EJ-366329	PIN J T5813 P 6P
10-PJ2	EJ-366330	PIN J T6127 P 6P
10-PJ3	EJ-366331	PIN J T6127-AABA W/SWP 6P
10-PJ4	EJ-366332	PIN J T6138-AABA P 2P
10-RL1	EQ-366328	RELAY SIG G4S 1112P-B 1NO 1N
10-R10	ER-321619	R OMF H S15 FS 1W 101J
10-TM1	EJ-349061	TERMINAL PUSH YKD21-0025 PBP
10-TR1	ET-360067	TR 2SC3330 T,U F05
10-TR2	ET-360067	TR 2SC3330 T,U F05

## 11. CONNECTION P.C BOARD

Ref. No.	Part No.	Description
11-D1	ED-337265	D ZENER H HZ6 C2
11-D2	ED-337265	D ZENER H HZ6 C2
11-IC1	EI-337228	IC M5218L
11-IC2	EI-337228	IC M5218L
11-IC3	EI-343373	IC TC9156AP
11-IC4	EI-349719	IC M5218P
11-IC5	EI-351966	IC TC9176P
11-J1	EJ-346076	DIN J TCS4690-01-1111 P 8P
11-R10	ER-323074	R CB H S10 FS RDS 1/4W 102J
11-R11	ER-323074	R CB H S10 FS RDS 1/4W 102J
11-SW1	ES-360115	SW SLIDE 00120262 01-02S
11-TS1	ES-366019	SW TACT 2401422-8A

## 15. TACT SW P.C BOARD

Ref. No.	Part No.	Description
15-TS50	ES-359172	SW TACT SKHAP

## 16. HEADPHONE P.C BOARD

Ref. No.	Part No.	Description
16-J1	EJ-355012	PHONE J 3P HLJ0541-010 6.3
16-R1	ER-333086	R OMF H S20 FS 2W 331J

## 12. POWER SW P.C BOARD

Ref. No.	Part No.	Description
12-C1	*EC-320548	C CE V F 103Z 250AC [U]
12-C1A	*EC-338411	C CE V FZ 103P 400AC [C,A]
12-C1B	*EC-338496	C CE V FZ 472P 400AC [E,V,B,S]
12-R1	*ER-356573	R SD ANTI-STATIC 1/2W 225K [C,A]
12-SW1	*ES-337902	SW PUSH SDLD1P 01-1
12-F1A	*EF-306950	FUSE TSC A 250V 2.00A [U]
12-F1B	*EF-323080	FUSE TSC 125V 3.15A [C,A]
12-F1C	*EF-602550	FUSE SEMKO T 250V 1.25A [E,V,S]
12-F1D	*EF-359007	FUSE BET T 250V 1.25A [B]
12-F2	*EF-306950	FUSE TSC A 250V 2.00A [U]

## 13. GRAPHIC EQUALIZER P.C BOARD

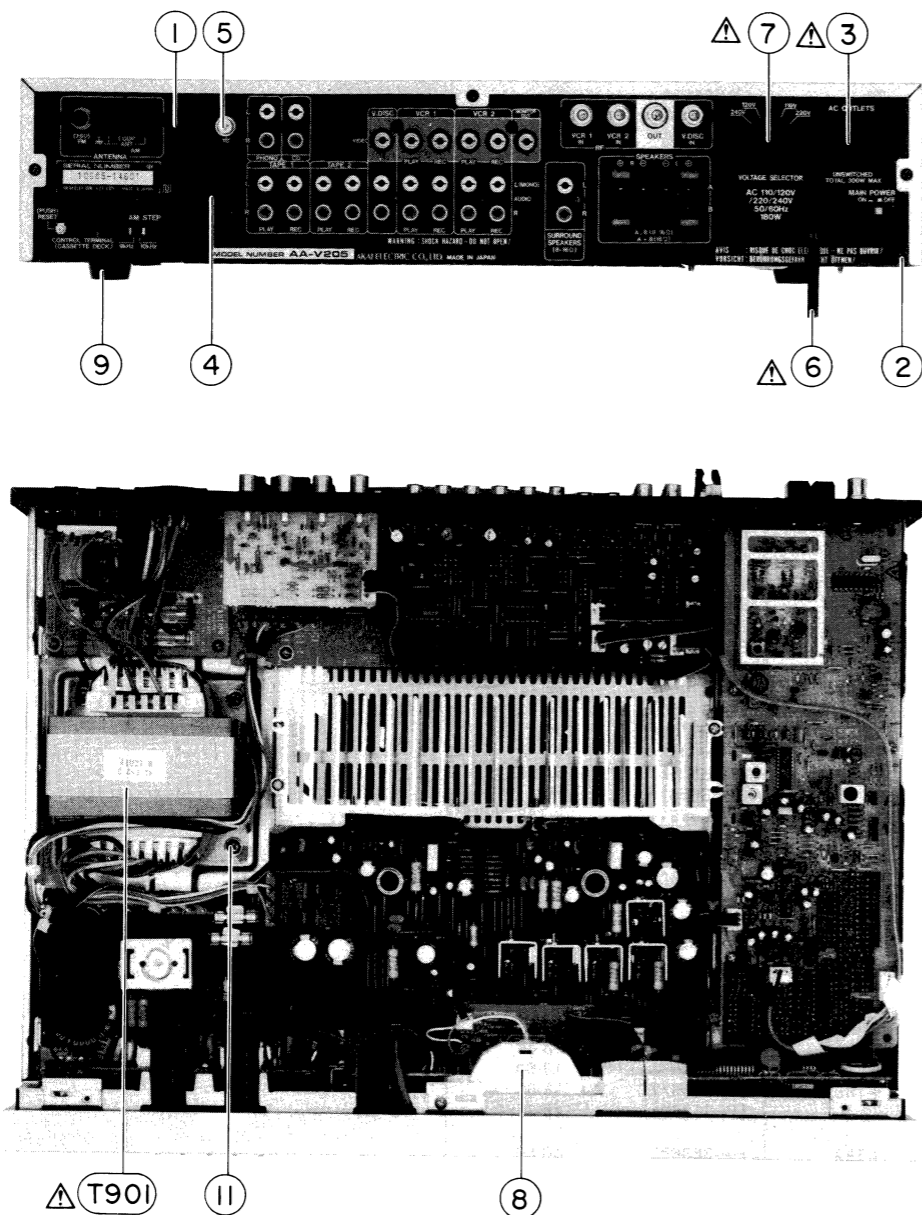
Ref. No.	Part No.	Description
13-IC1	EI-337228	IC M5218L
13-IC2	EI-355211	IC M5227P
13-VR901	EV-366319	VR SPECIAL 2THROWX5 30MM

## 14. IND P.C BOARD

Ref. No.	Part No.	Description
14-IC40	EI-361230	IC LC7580
14-IND40	EM-366356	IND LCD LCD9437P
14-PL40	EL-366367	PL CORD 14.0V100MA L = 80



**ASSEMBLY BLOCK**

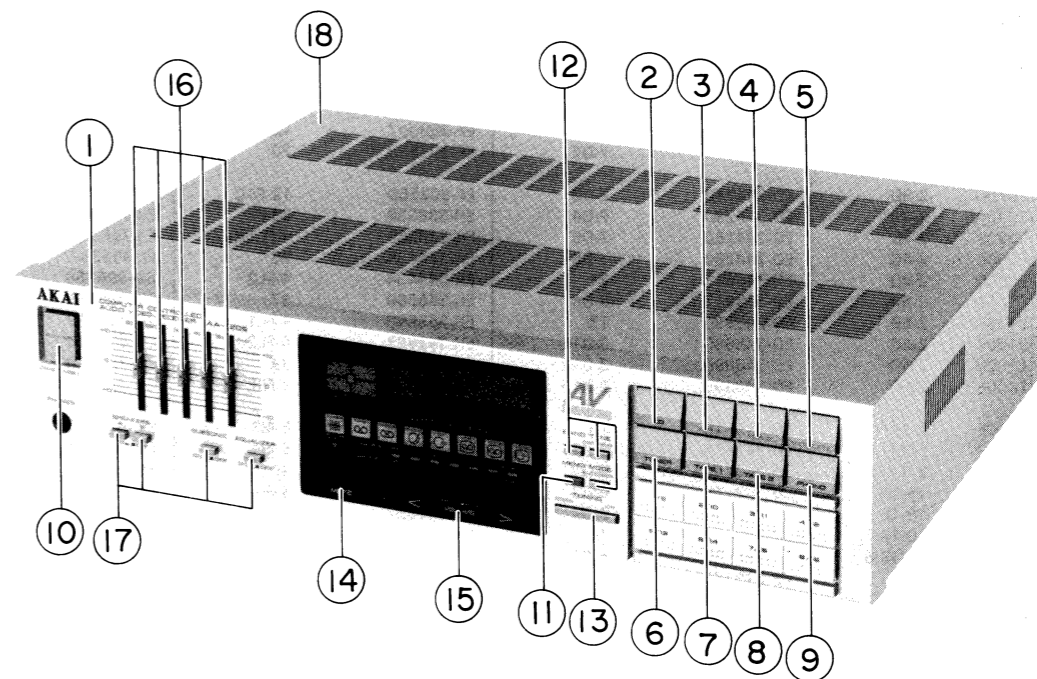


**18. ASSEMBLY BLOCK**

Ref. No.	Part No.	Description	Ref. No.	Part No.	Description
18-1A	SP-366176A	PANEL REAR AA-V205(U)	18-6E	*EW-363684	AC CORD 200 LCFL B070 A B
18-1B	SP-366176B	PANEL REAR AA-V205(A,C)			
18-1C	SP-366176C	PANEL REAR AA-V205(E,V)	18-7	*ES-349070	SW SELECTOR YKS11-0002 02-4
18-1D	SP-366176D	PANEL REAR AA-205(S)			
18-1E	SP-366176E	PANEL REAR AA-V205L(E)	18-8	EZ-361808	HOLDER LAMP EQ300-42101A WHITE
18-1F	SP-366176F	PANEL REAR AA-V205L(B)	18-9	SA-202118	FOOT
18-2	ZS-308846	T2BR30X08STL BZN PROJECTION [PANEL REAR FIX]	18-10X	ZS-331567	T2BR30X08STL CMT C080 [FOOT FIX]
18-3	EJ-349174	SOCKET OUTLET S2-732T-122	18-11	ZS-346742	ST BID40X08STL CMT CUP [TRANS POWER FIX]
18-4	SZ-362273	HOLDER ANTENNA (2)	18-T901A	*BT-366320	TRANS POWER A1021-U
18-5	EJ-366318	TERMMAL W/S SCREW UB-0060			
18-6A	*EW-363658	AC CORD 200 0129AVFF B100 A U/T	18-T901B	*BT-366321-A	TRANS POWER A1021-CA
		[U]			[C,A]
18-6B	*EW-363646	AC CORD 200 238APSPT2 B100 A UC	18-T901C	*BT-366323	TRANS POWER A1021-EV
		[C,A]			[E,V]
18-6C	*EW-363672	AC CORD 200 0364 LCFL B070 A EV	18-T901D	*BT-366324	TRANS POWER A1021-BS
		[E,V]			[B,S]
18-6D	*EW-363698	AC CORD 200 0436 LCFL B070 A S	18-13X	EE-359265	ANT LOOP LA-200A-A
		[S]			

PARTS LIST

**FINAL ASSEMBLY BLOCK**



**19. FINAL ASSEMBLY BLOCK**

Ref. No.	Part No.	Description
19-1A	BD-A1021E110A	PANEL FRONT BLK AA-V205
19-1A-B	BD-A1021E110C	PANEL FRONT BLK AA-V205-B
19-1B	BD-A1021E110B	PANEL FRONT BLK AA-V205L
19-1B-B	BD-A1021E110D	PANEL FRONT BLK AA-V205L-B
19-2	SK-361870D	KNOB SELECTOR (A) CD
19-2-B	SK-361870H	KNOB SELECTOR (A)-B CD
19-3	SK-361870V	KNOB SELECTOR (A) VCR1
19-3-B	SK-366381B	KNOB SELECTOR (A)-B VCR1
19-4	SK-361870W	KNOB SELECTOR (A) VCR2
19-4-B	SK-366381C	KNOB SELECTOR (A)-B VCR2
19-5	SK-361870X	KNOB SELECTOR (A) V.DISK / TV
19-5-B	SK-366381D	KNOB SELECTOR (A)-B V.DISK / TV
19-6	SK-361870S	KNOB SELECTOR (A) TUNER
19-6-B	SK-361870Y	KNOB SELECTOR (A)-B TUNER
19-7	SK-361870T	KNOB SELECTOR (A) TAPE 1
19-7-B	SK-361870Z	KNOB SELECTOR (A)-B TAPE 1
19-8	SK-361870U	KNOB SELECTOR (A) TAPE 2
19-8-B	SK-366381A	KNOB SELECTOR (A)-B TAPE 2
19-9	SK-361870E	KNOB SELECTOR (A) PHONO
19-9-B	SK-361870J	KNOB SELECTOR (A)-B PHONO
19-10	SK-343017C	KNOB POWER (2)
19-10-B	SK-343017F	KNOB POWER-B
19-11	SK-365781D	KNOB PUSH (RED)
19-12	SK-365781C	KNOB PUSH
19-12-B	SK-365781B	KNOB PUSH-B
19-13	SK-366139A	KNOB TUNING
19-13-B	SK-366139B	KNOB TUNING-B
19-14	SK-366141	KNOB MUTE
19-15	SK-366140	KNOB VR
19-16	SK-366143A	KNOB EQ
19-16-B	SK-366143B	KNOB EQ-B
19-17	SK-366179A	KNOB SP
19-17-B	SK-366179B	KNOB SP-B
19-18	SP-366138A	COVER UPPER
19-18-B	SP-366138B	COVER UPPER-B

**SYMBOL FOR COLOR VARIATION**

NON : SILVER  
B : BLOCK

**20. REMOTE CONTROL UNIT RC-A905**

Ref. No.	Part No.	Description
20-1	AX-366325	REMOCON RC-A905 WIRELESS (T)
20-1-B	AX-362546	REMOCON RC-A905-B WIRELESS(T)
20-D1	ED-705414	D LED SE303A INFRARED
20-D3	ED-718039	D SILICON DAN201
20-D4	ED-718039	D SILICON DAN201
20-IC1	EI-749983	IC UPD1943G
20-TR1	ET-718040	TR 2SD1468
20-X1	EI-710037	OSC CE CSB455E 455KHZ
20-2	SC-718689	COVER BATTERY
20-2-B	SC-718690	COVER BATTERY-B

PARTS LIST



# **AKAI**

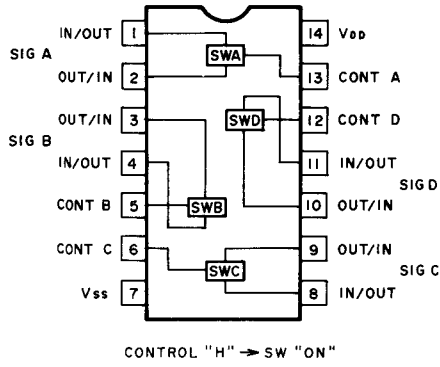
## **MODEL AA-V205**

### **SCHEMATIC DIAGRAM AND PC BOARDS**

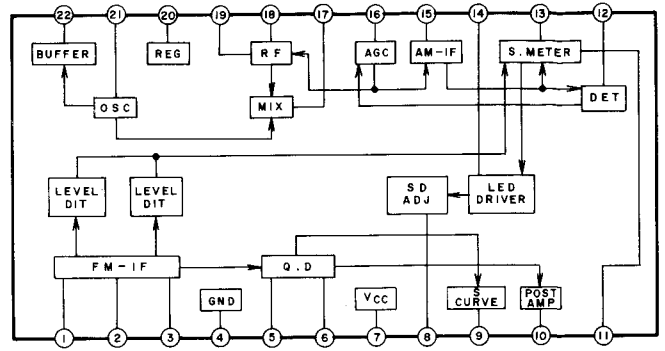
#### **TABLE OF CONTENTS**

<b>1. SCHEMATIC DIAGRAM OF ICs .....</b>	<b>2</b>
<b>2. TUNER BLOCK DIAGRAM .....</b>	<b>6</b>
<b>3. AMP BLOCK DIAGRAM.....</b>	<b>7</b>
<b>4. CONNECTION DIAGRAM.....</b>	<b>8</b>
<b>5. CONNECTION PC BOARD AND OTHER PC BOARDS .....</b>	<b>9</b>
<b>6. MAIN/EQUALIZER SCHEMATIC DIAGRAM.....</b>	<b>10</b>
<b>7. MAIN/G EQUALIZER/POWER SW PC BOARD .....</b>	<b>11</b>
<b>8. TUNER/TUNER(L) PC BOARD.....</b>	<b>12</b>
<b>9. TUNER SCHEMATIC DIAGRAM.....</b>	<b>13</b>
<b>10. FRONT END SCHEMATIC DIAGRAM.....</b>	<b>14</b>

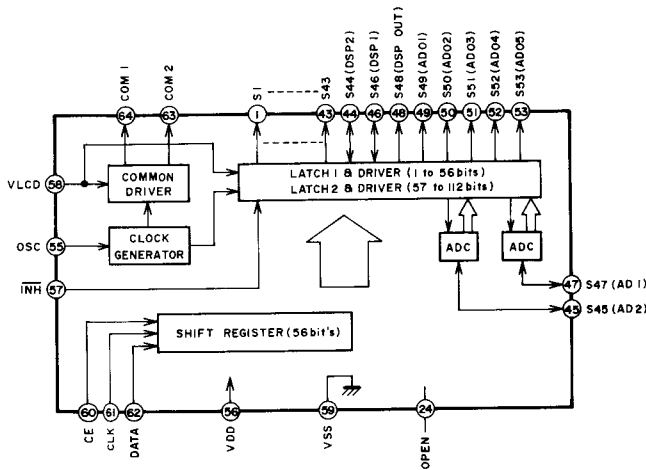
**BU4066B**



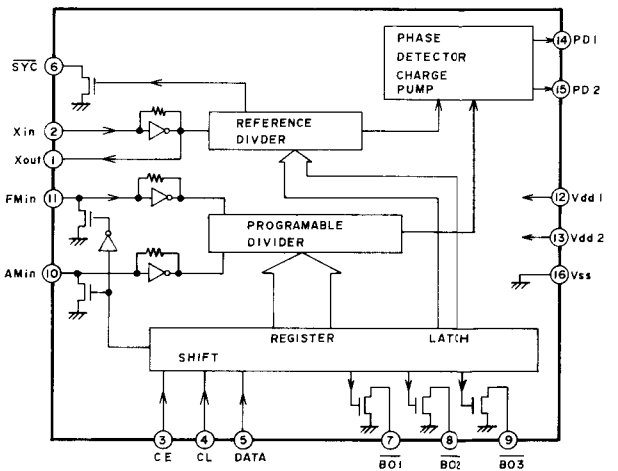
**LA1265**



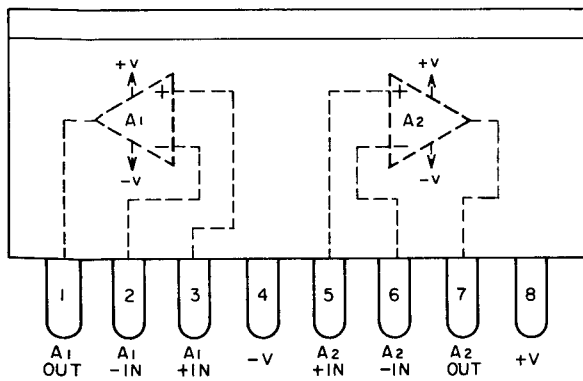
**LC7580**



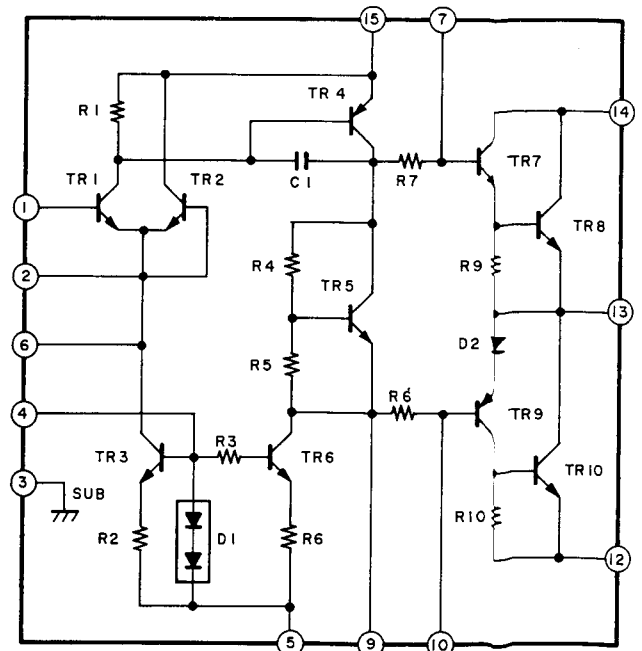
**LM7001**



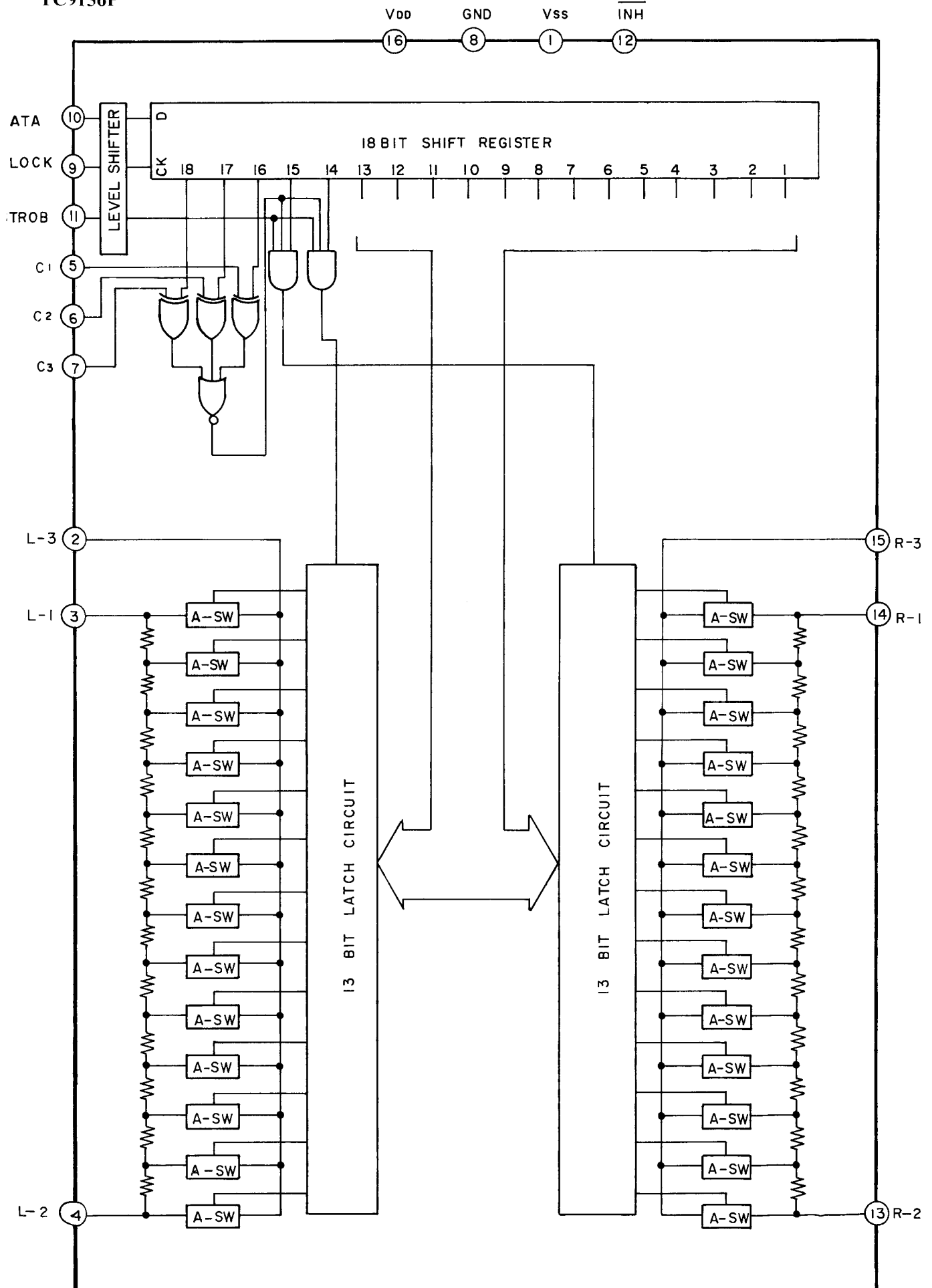
**M5218LO**



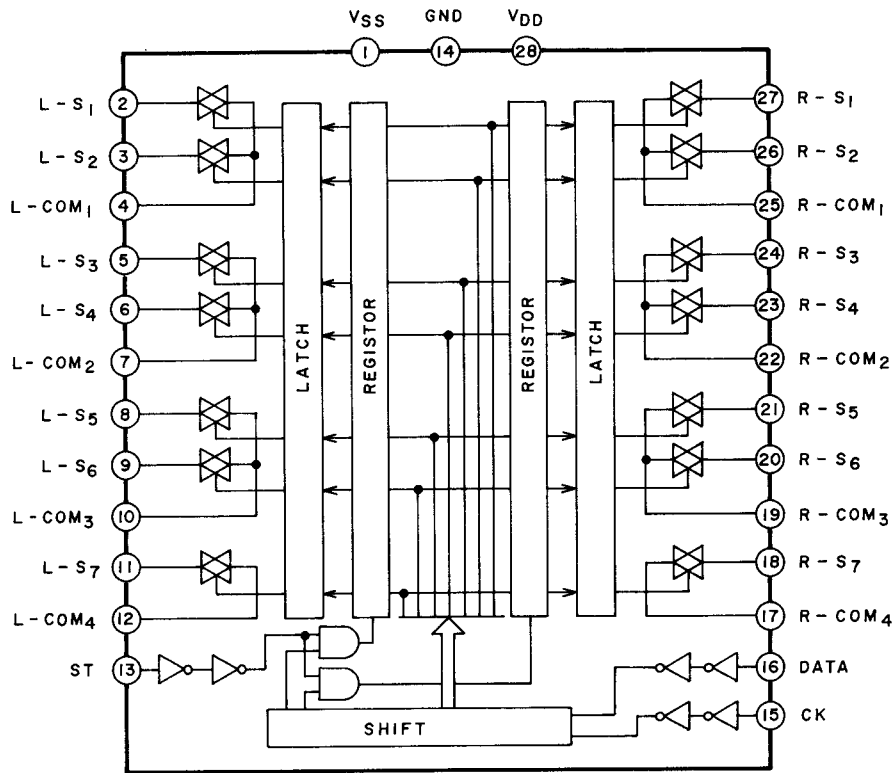
**STK-4038-II**



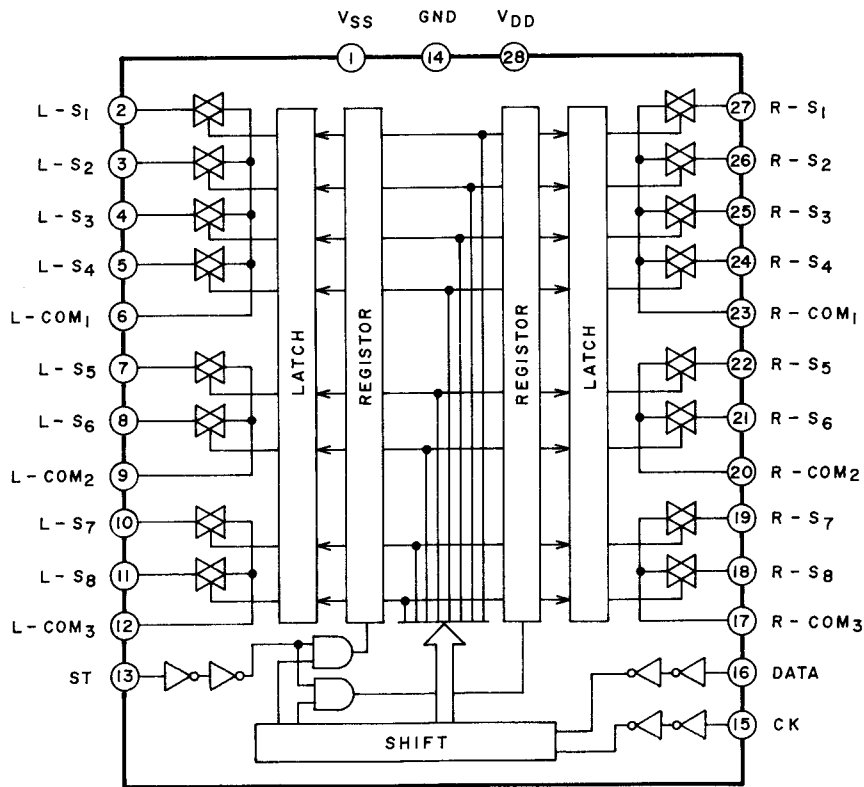
TC9156P



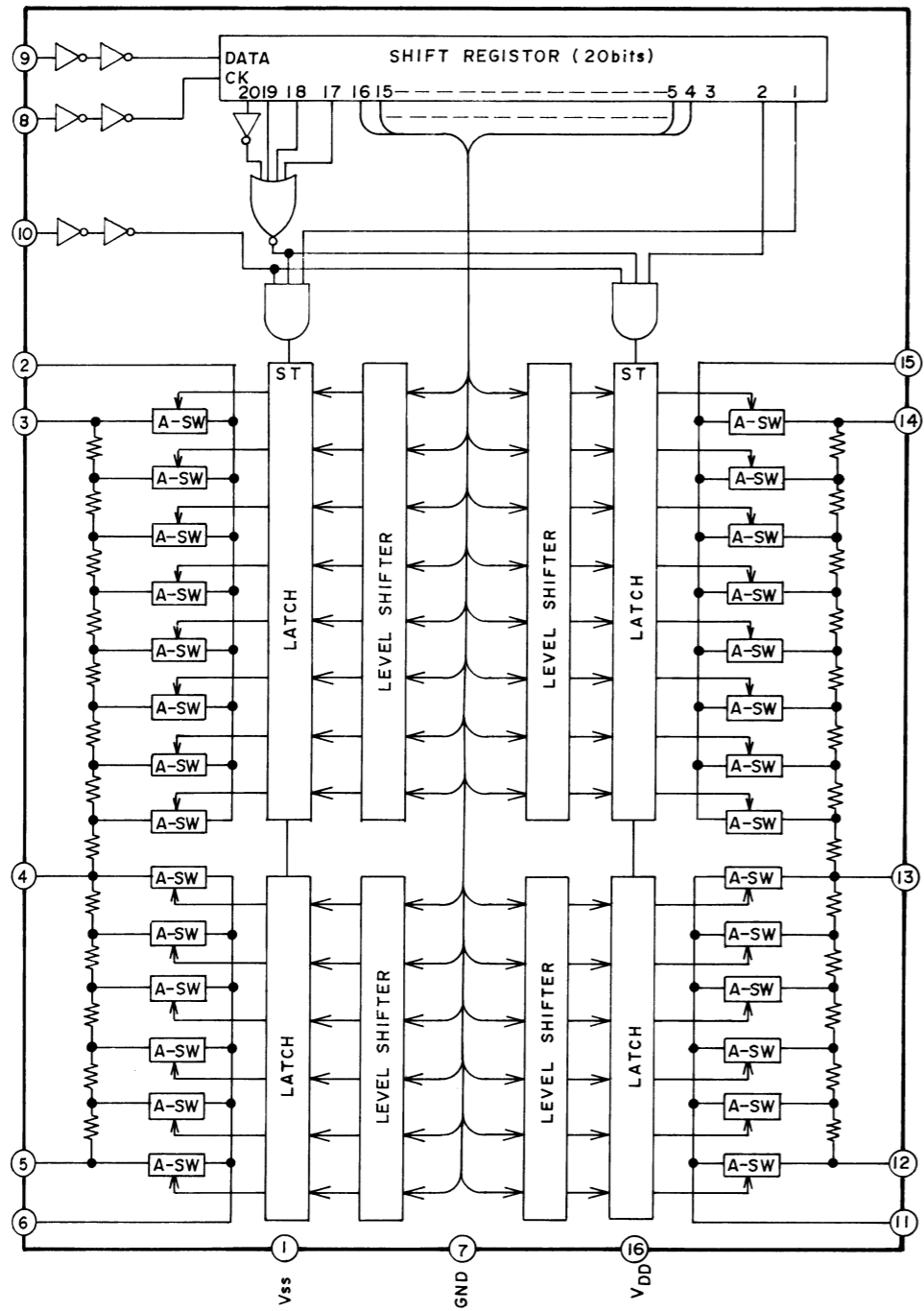
### TC9162N



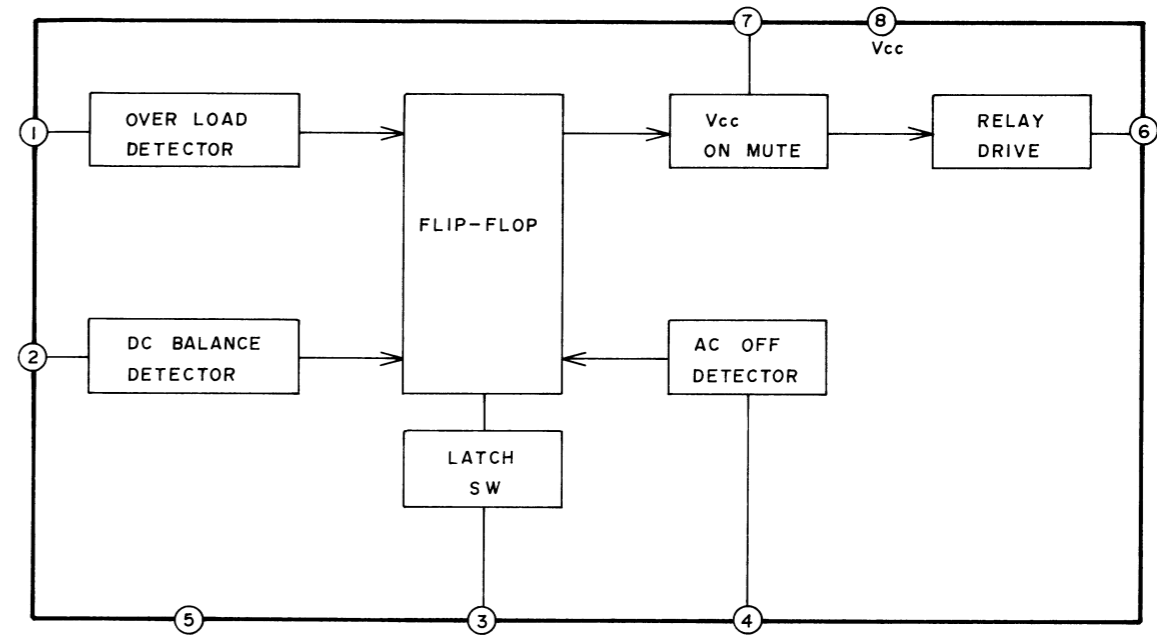
### TC9164N



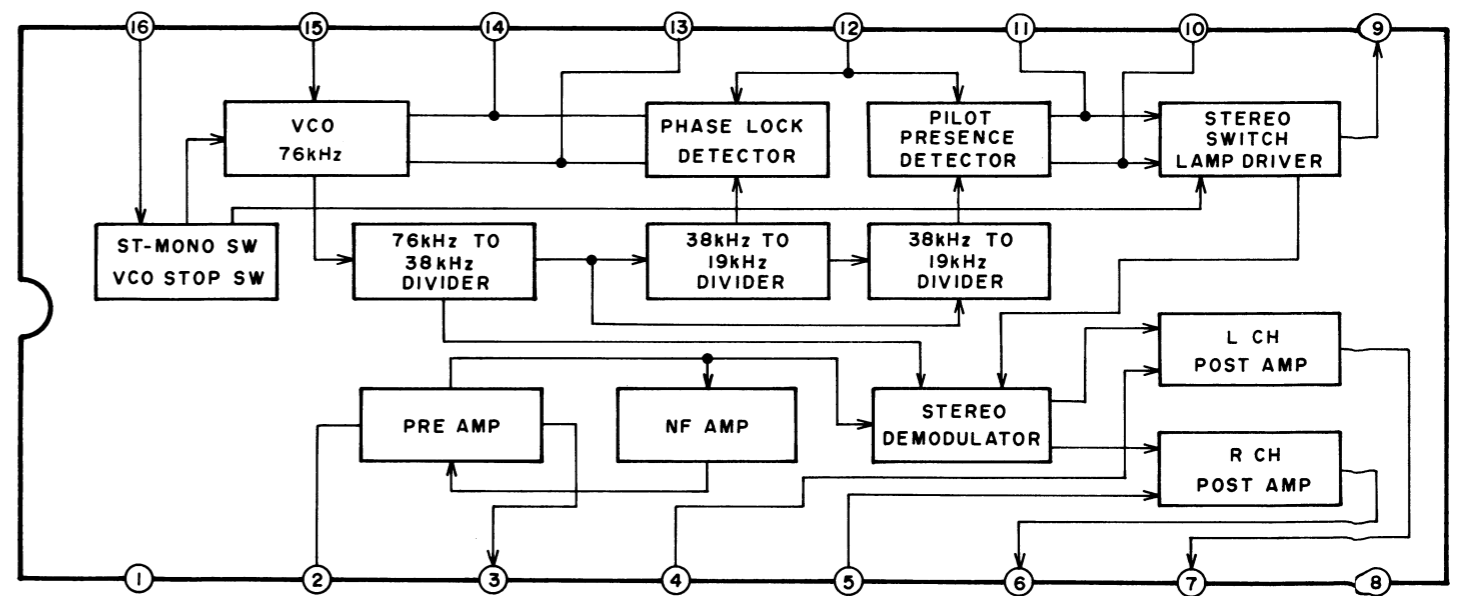
TC9176P

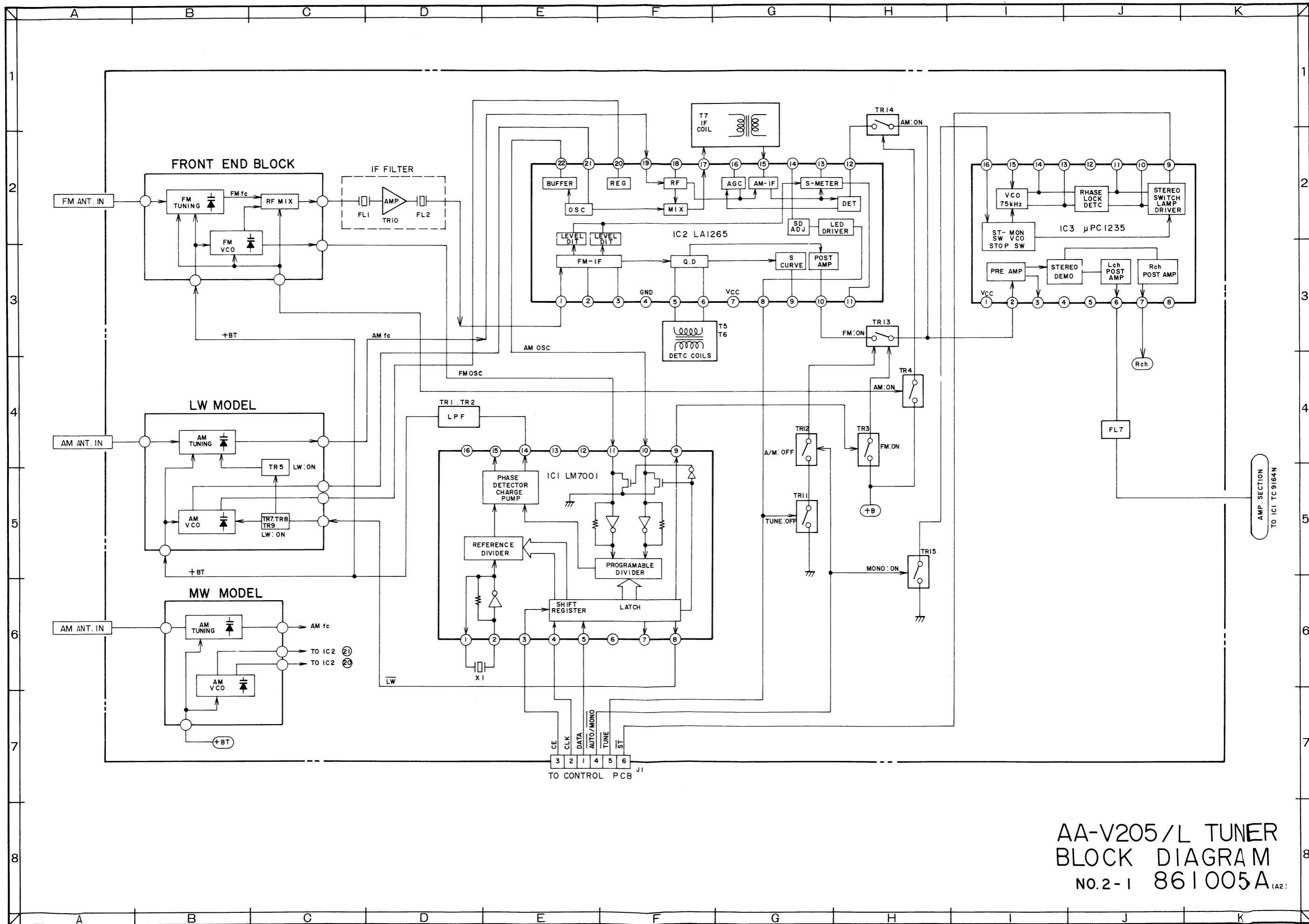


μPC1235C



μPC1237H

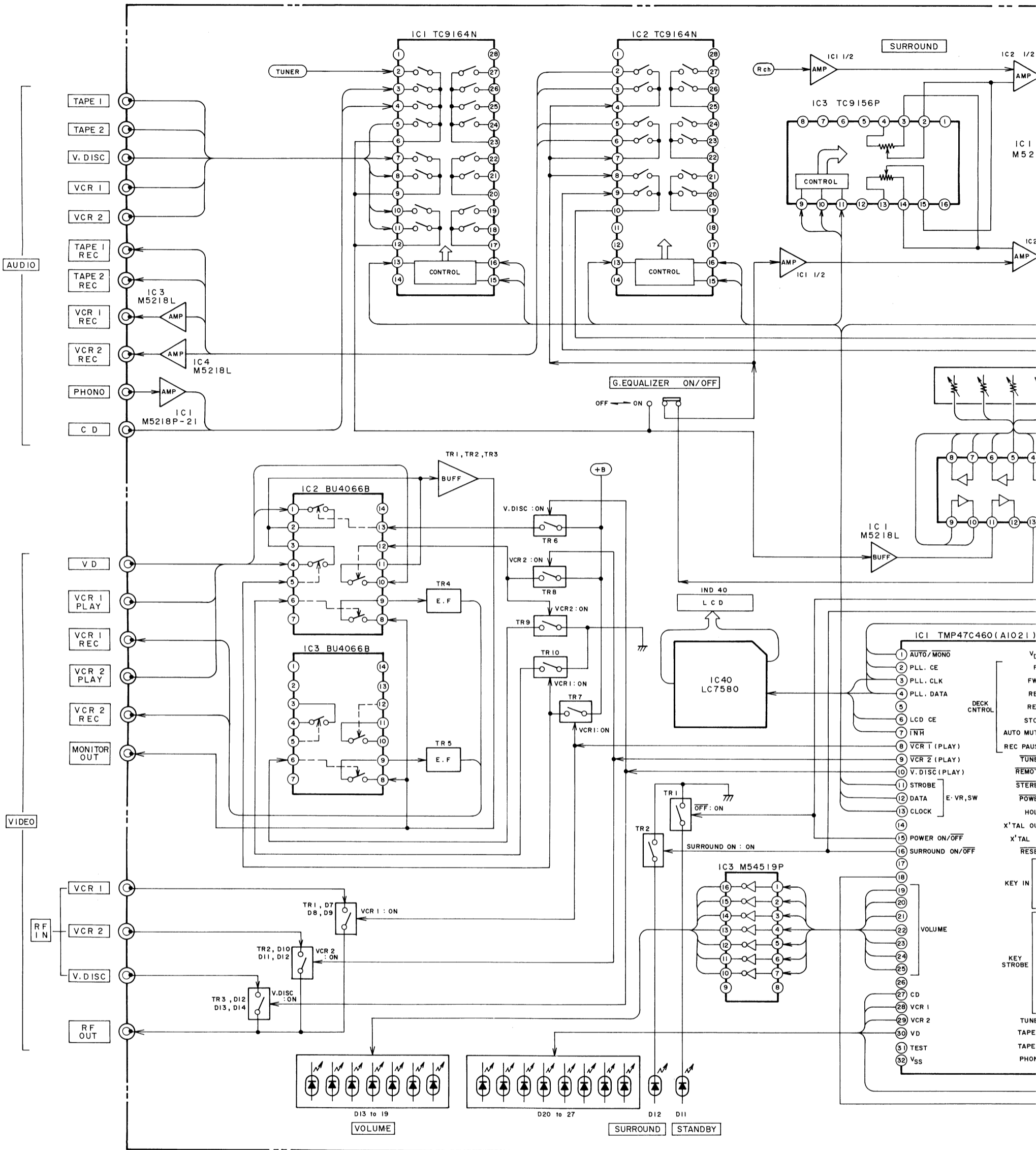


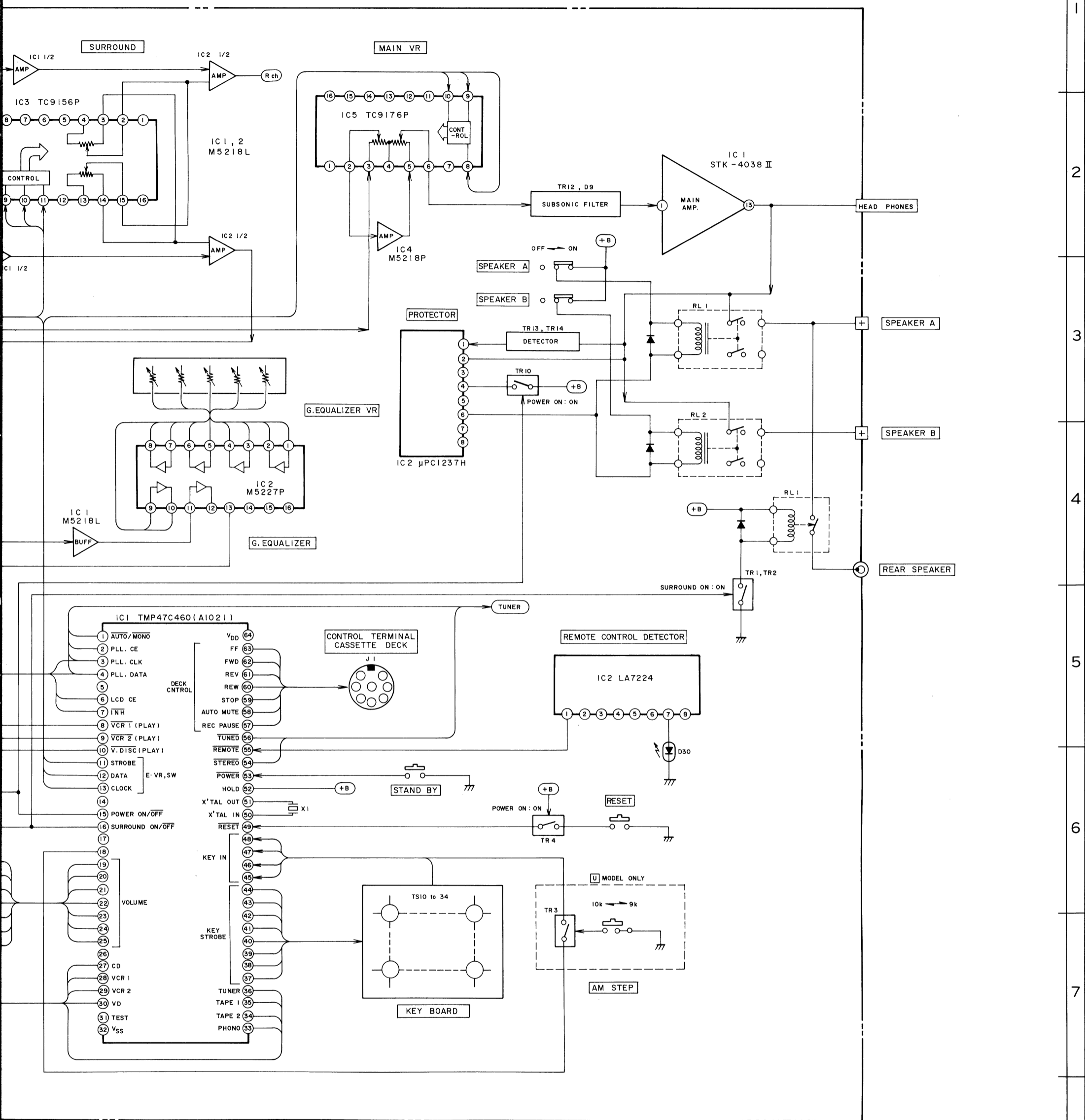


AA-V205/L TUNER  
 BLOCK DIAGRAM  
 NO. 2-1 861005A (A2)

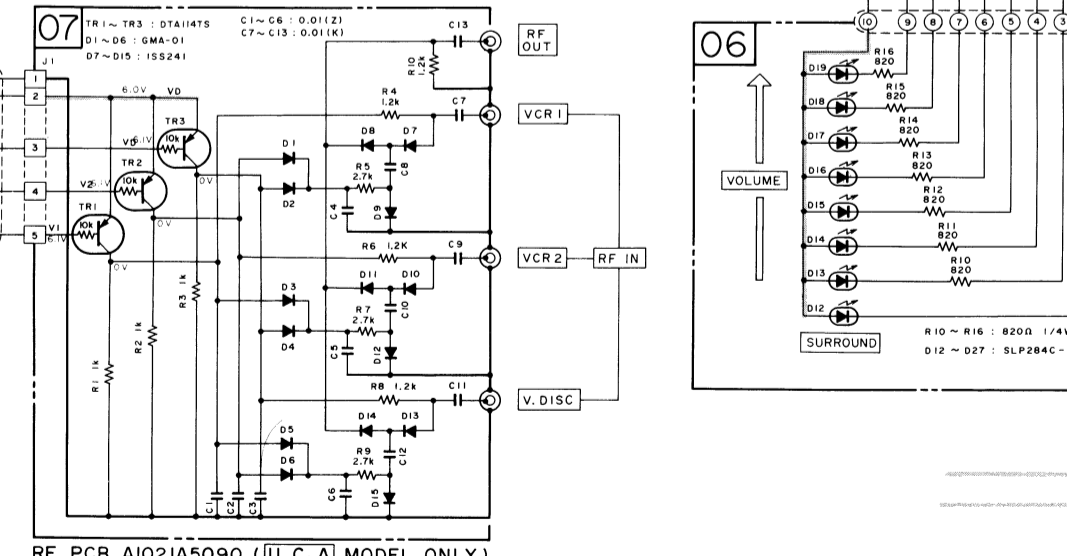
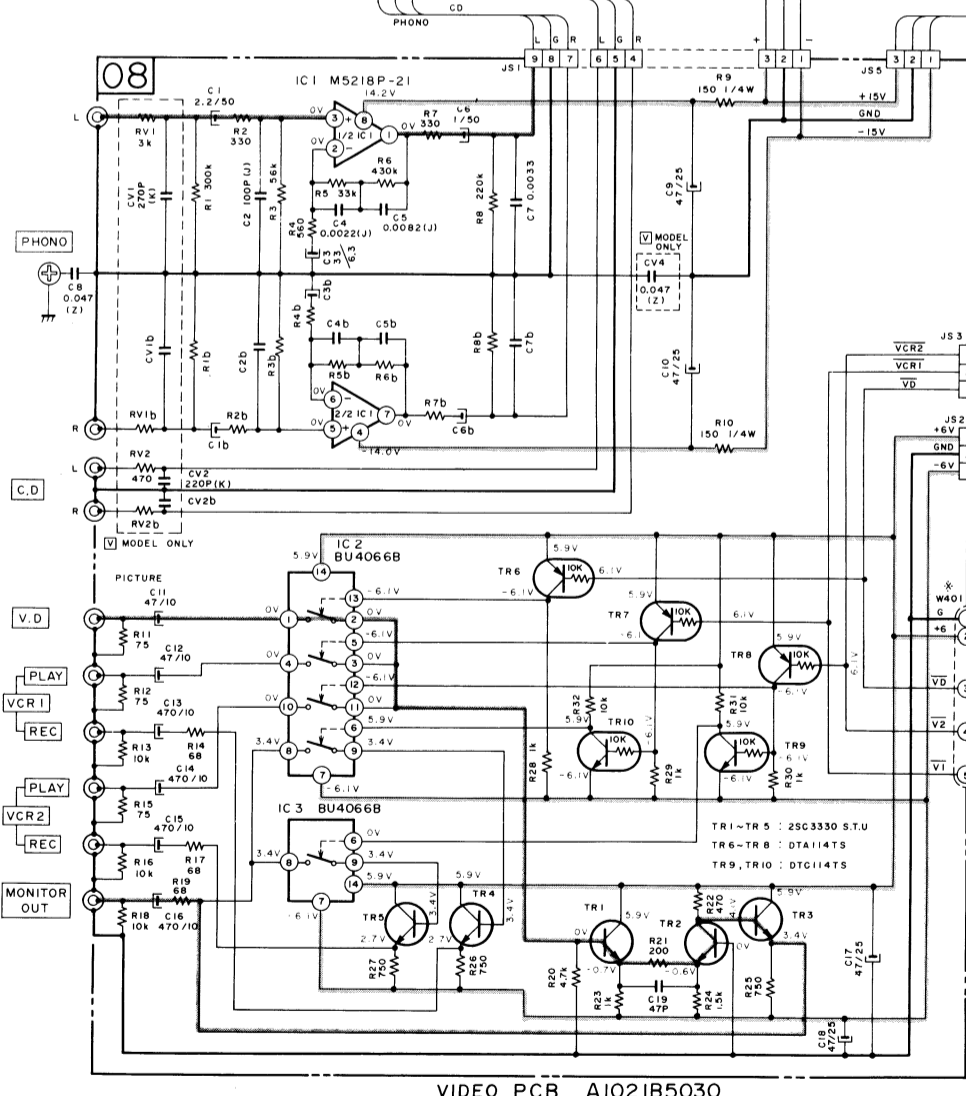
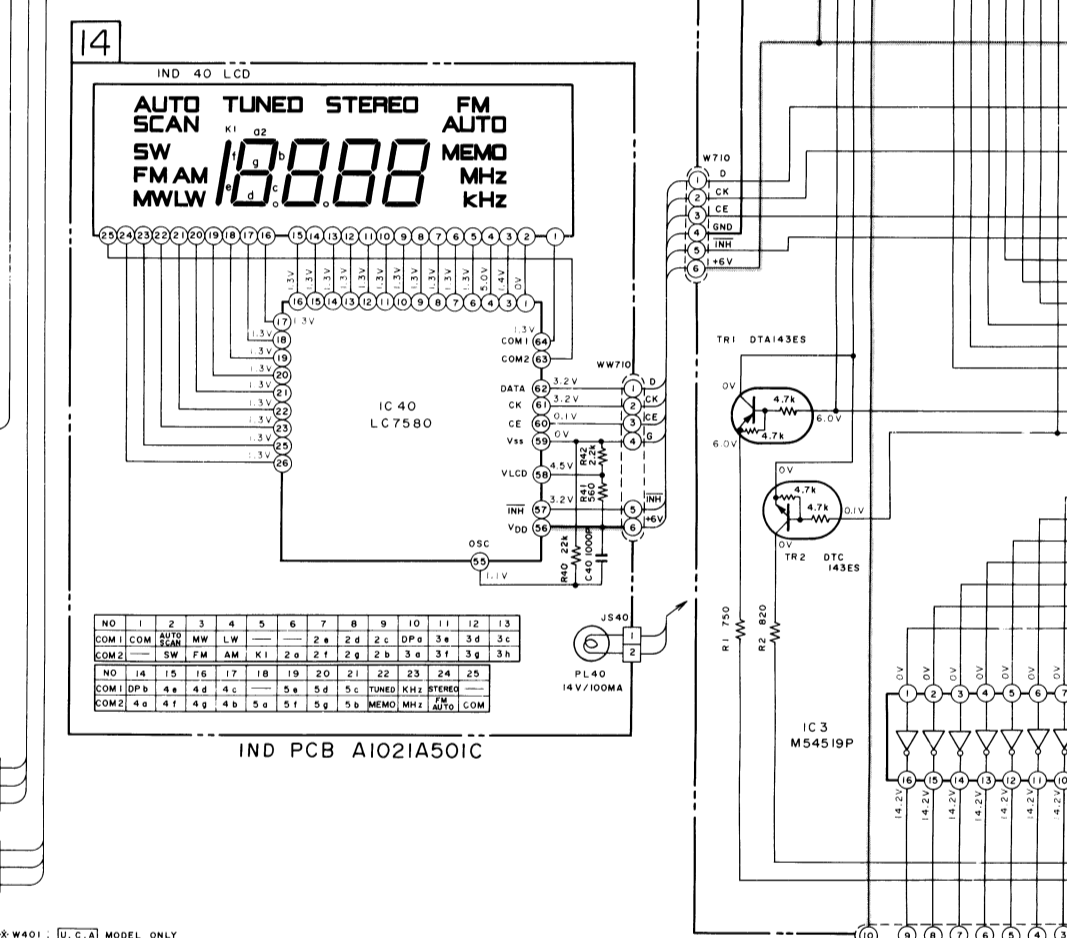
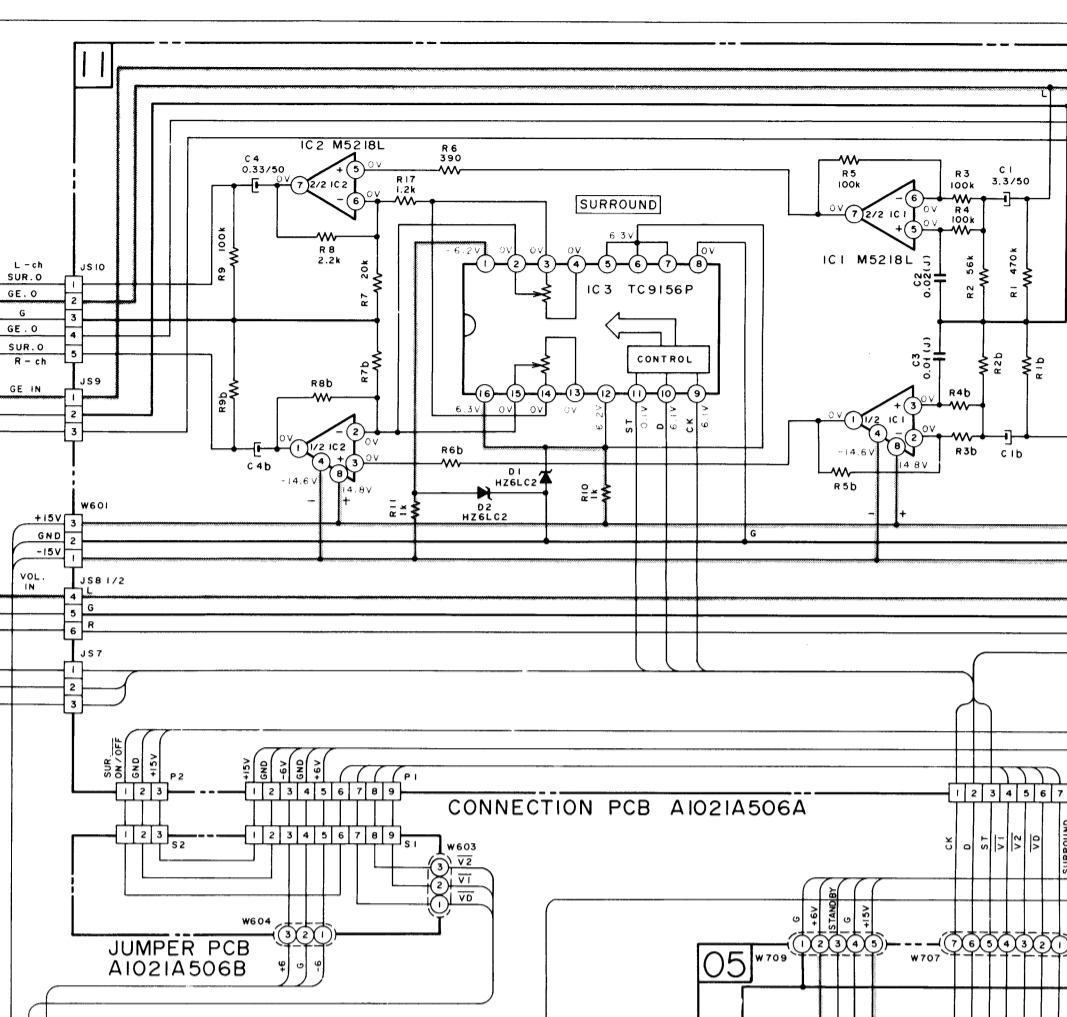
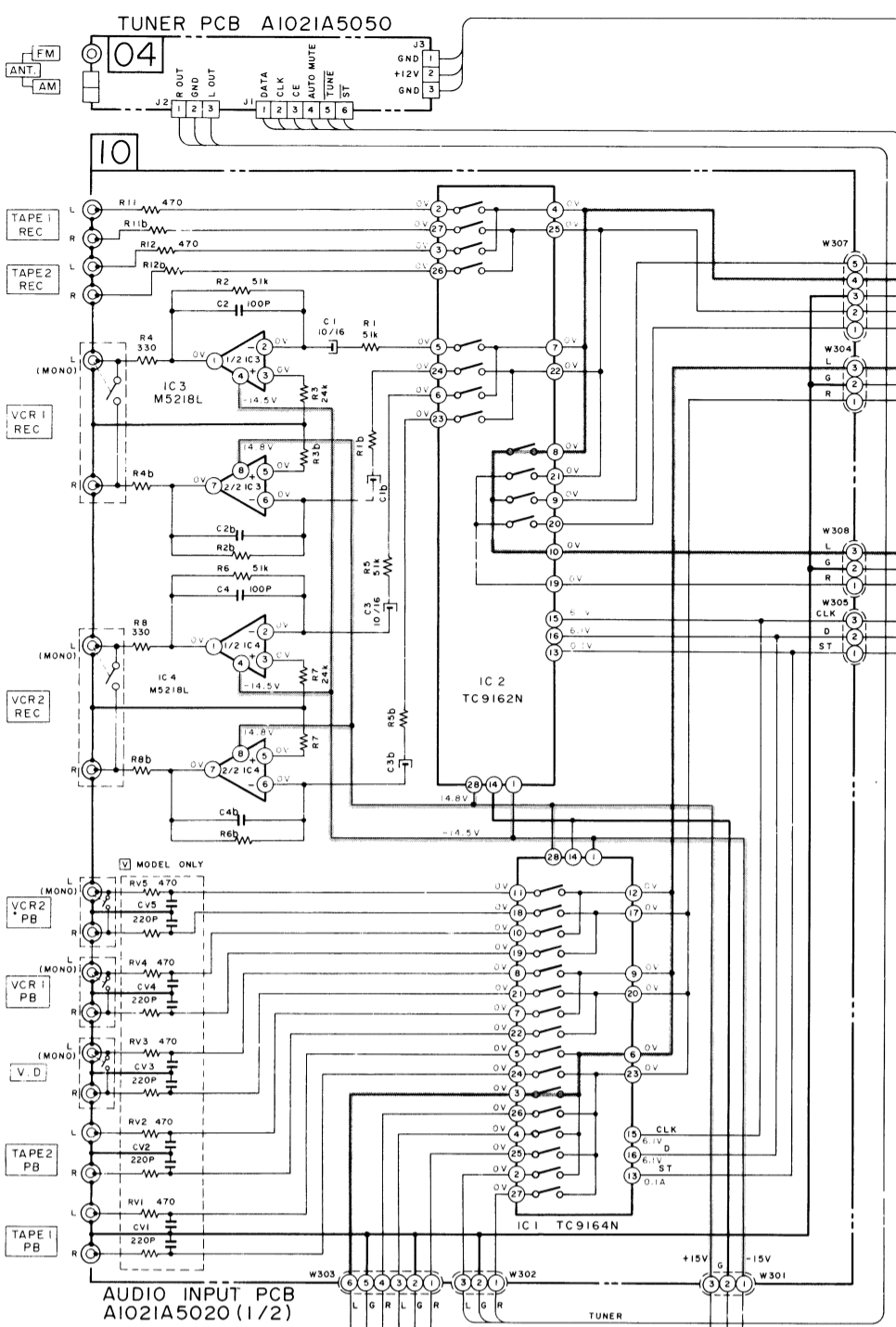


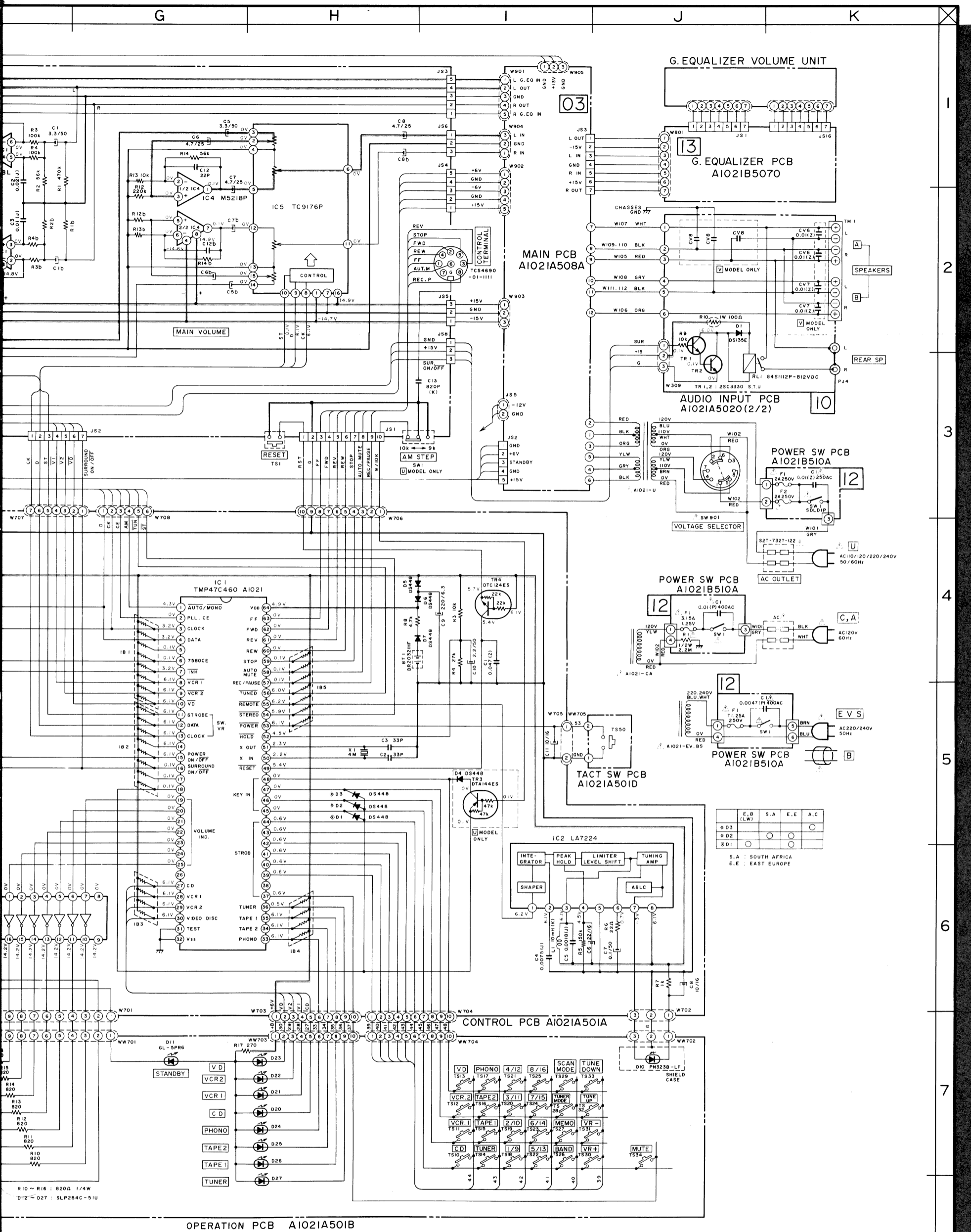
# AA-V205





AA-V205/L AMP  
 BLOCK DIAGRAM  
 No. 2-2 861006A





AA-V205/L  
 CONNECTION DIAGRAM  
 No. 4-1 86100IA

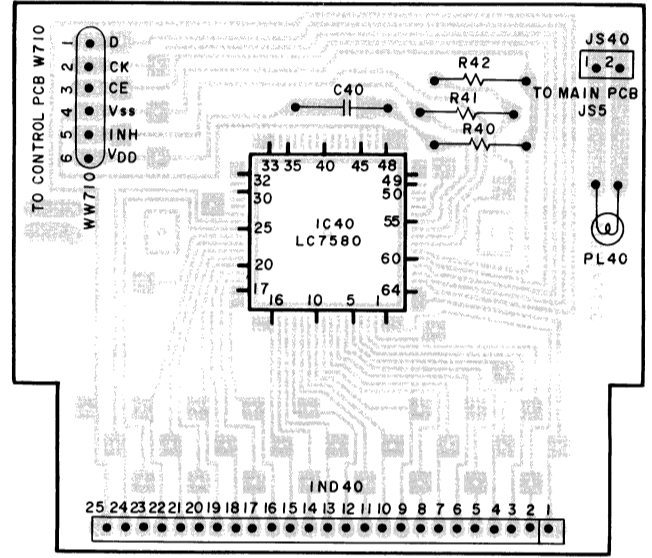
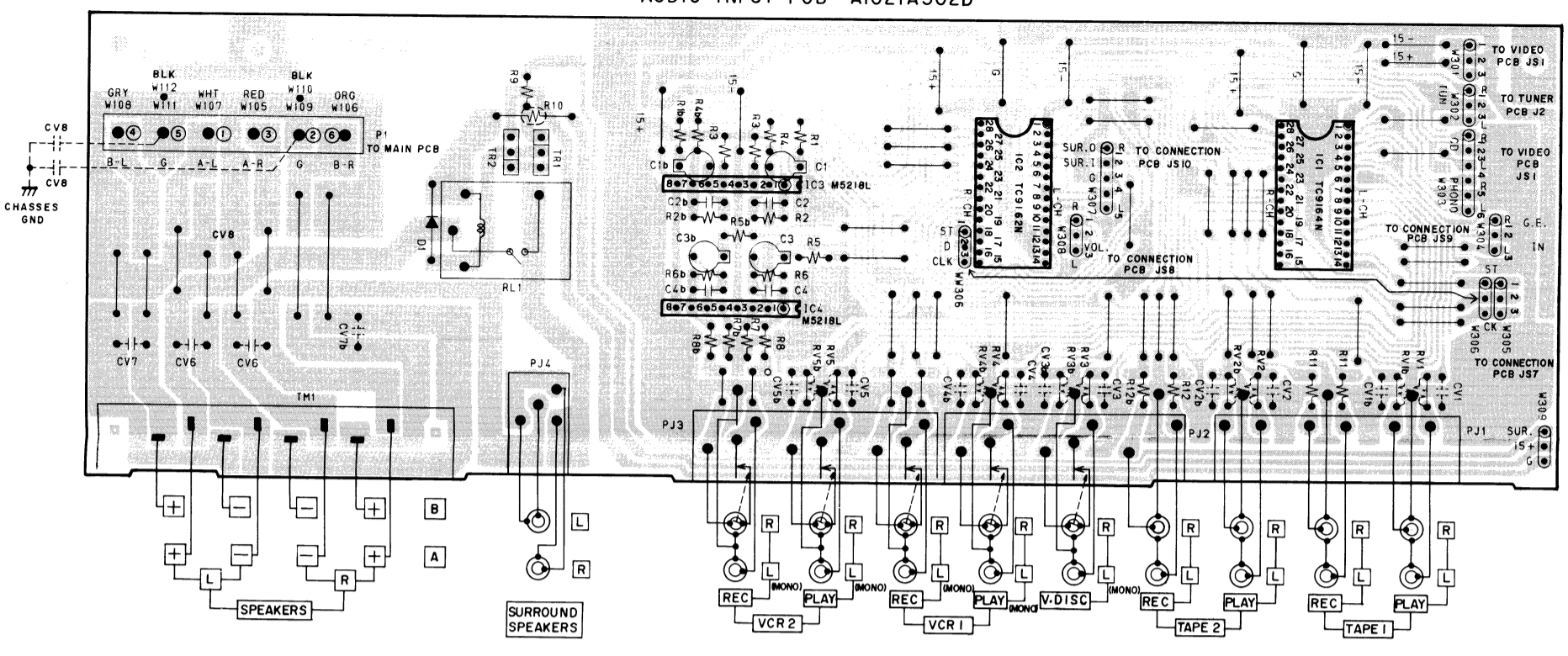
B  
●●●-NPN TRANSISTOR

TR1,TR2----2SC3330

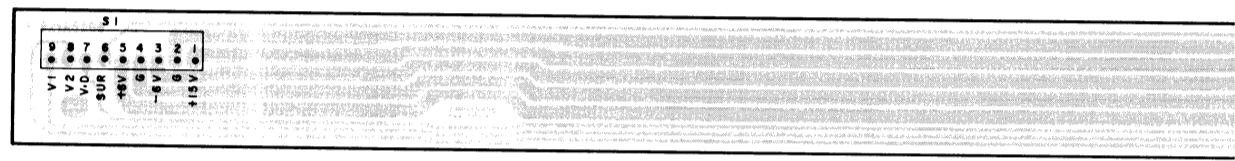
\* INDICATED BY BROKEN LINE  
□ MODEL ONLY



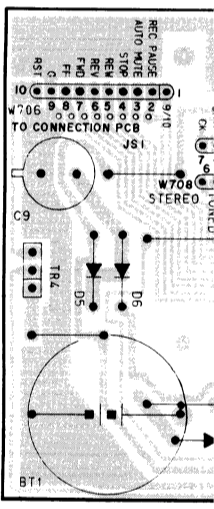
### AUDIO INPUT PCB AI02IA502D



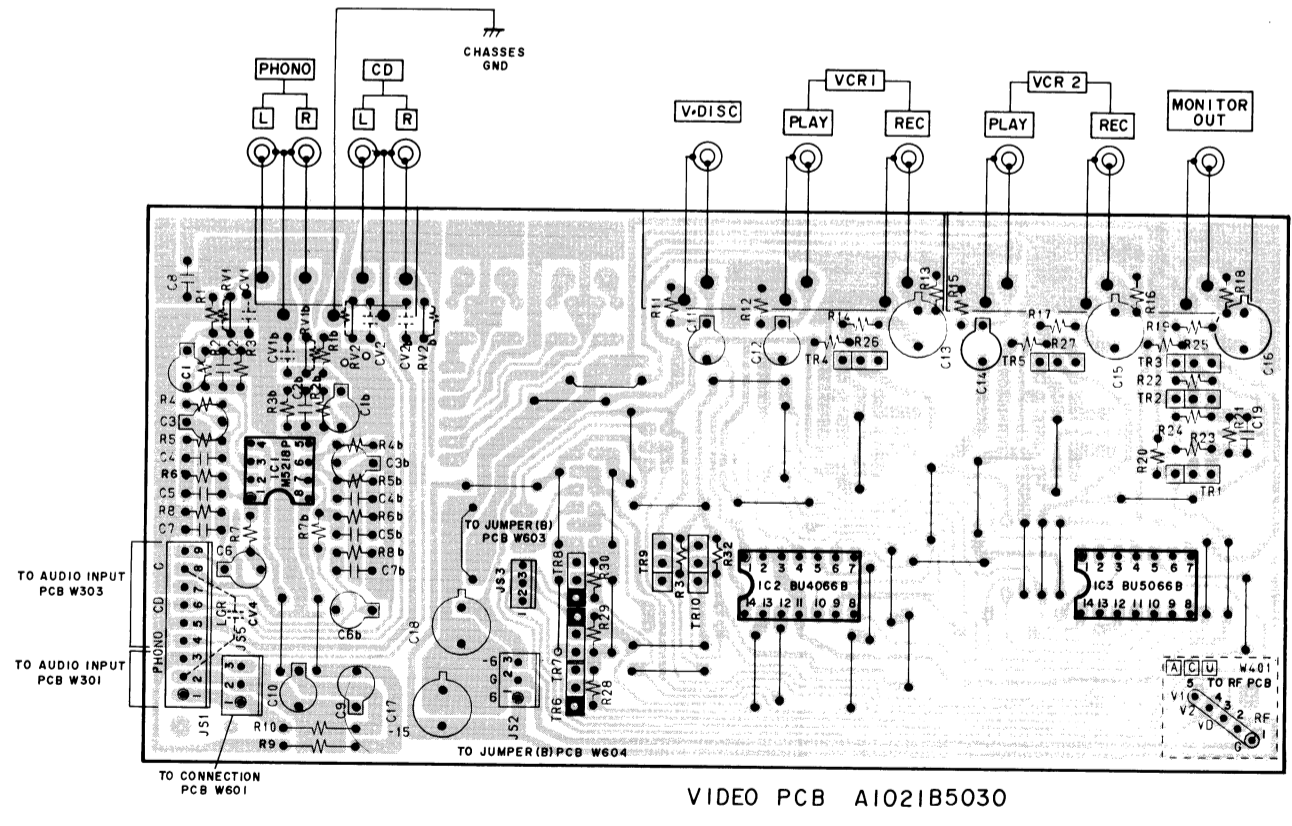
IND PCB AI02IA501C



JUMPER PCB AI02IA506B



CONTROL PCB AI02IB5030

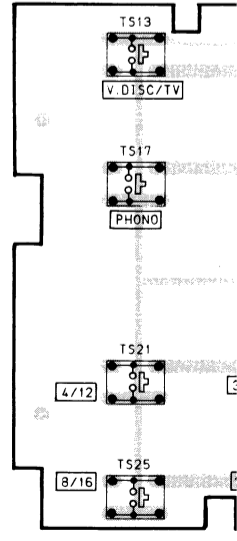


VIDEO PCB AI02IB5030

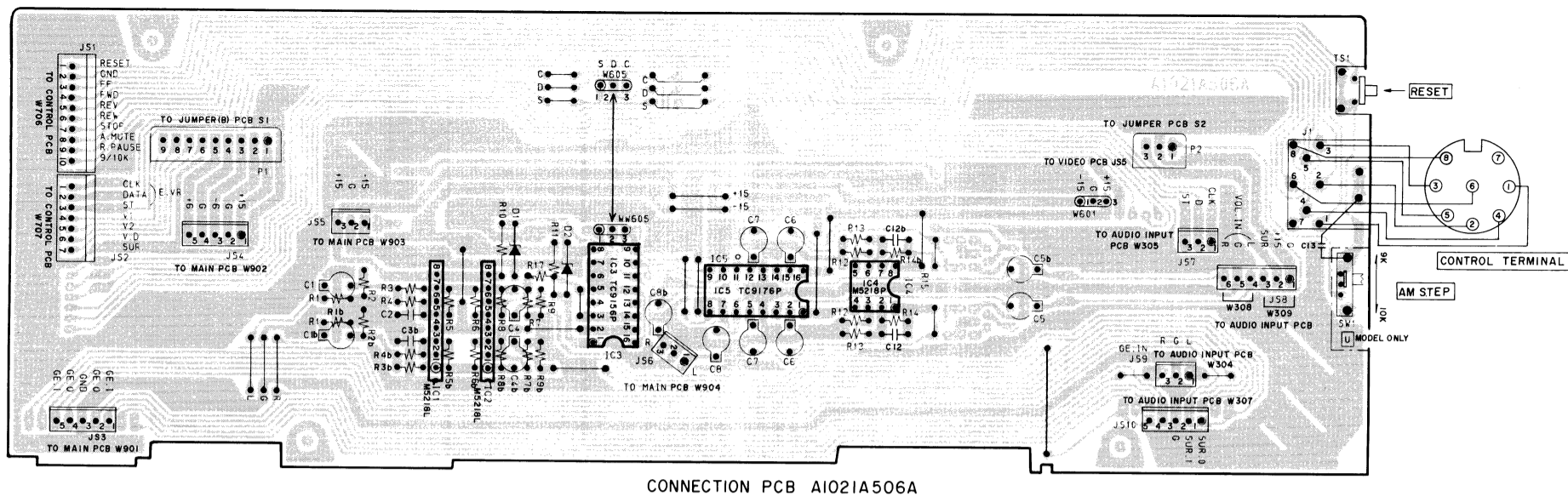
\* INDICATED BY BROKEN LINE □ MODEL ONLY

B  
●●●-PNP TRANSISTOR  
●●●-NPN TRANSISTOR

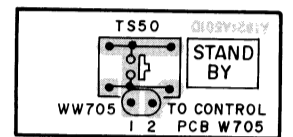
TR1 to 5----2SC3330  
TR6 to 8----DTA114TS  
TR9,10----DTC114TS



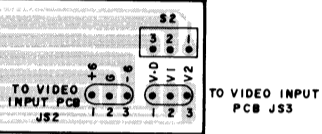




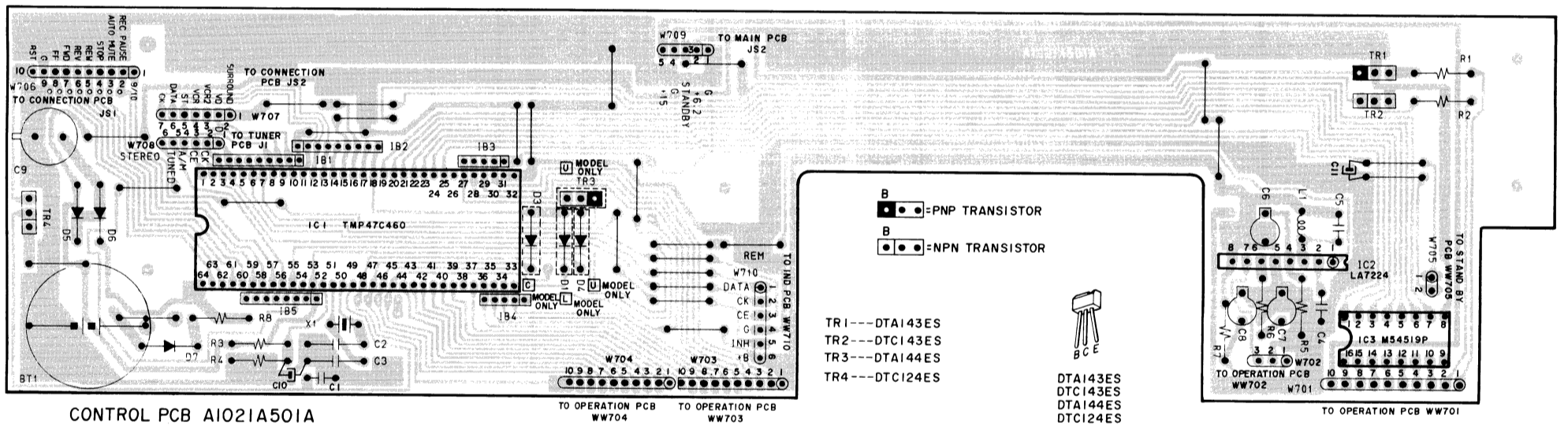
CONNECTION PCB AI02IA506A



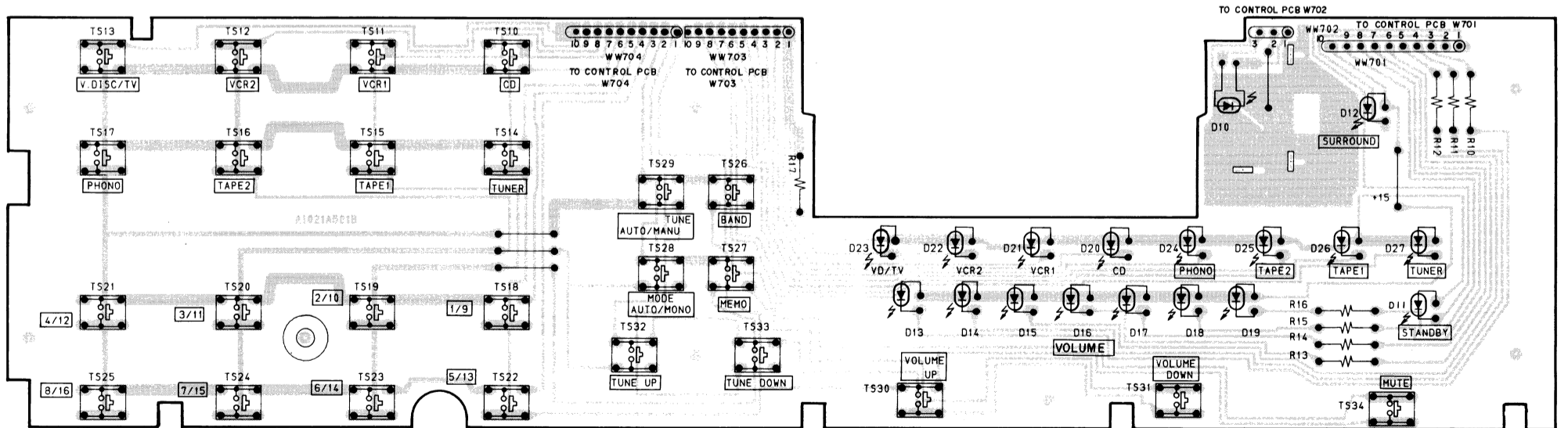
TACT SW PCB AI02IA501D



IA506B

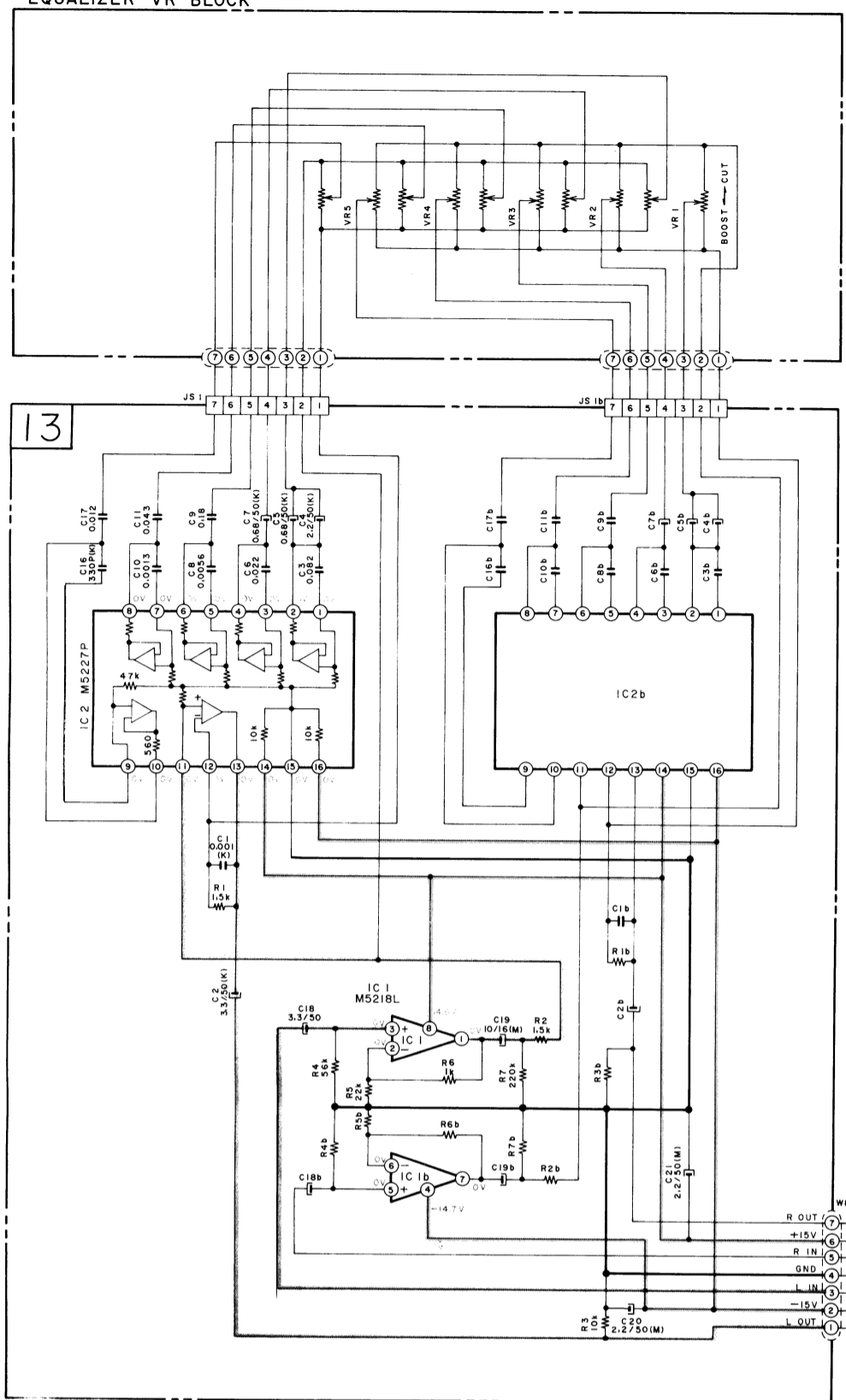


CONTROL PCB AI02IA501A



OPERATION PCB AI02IA501B

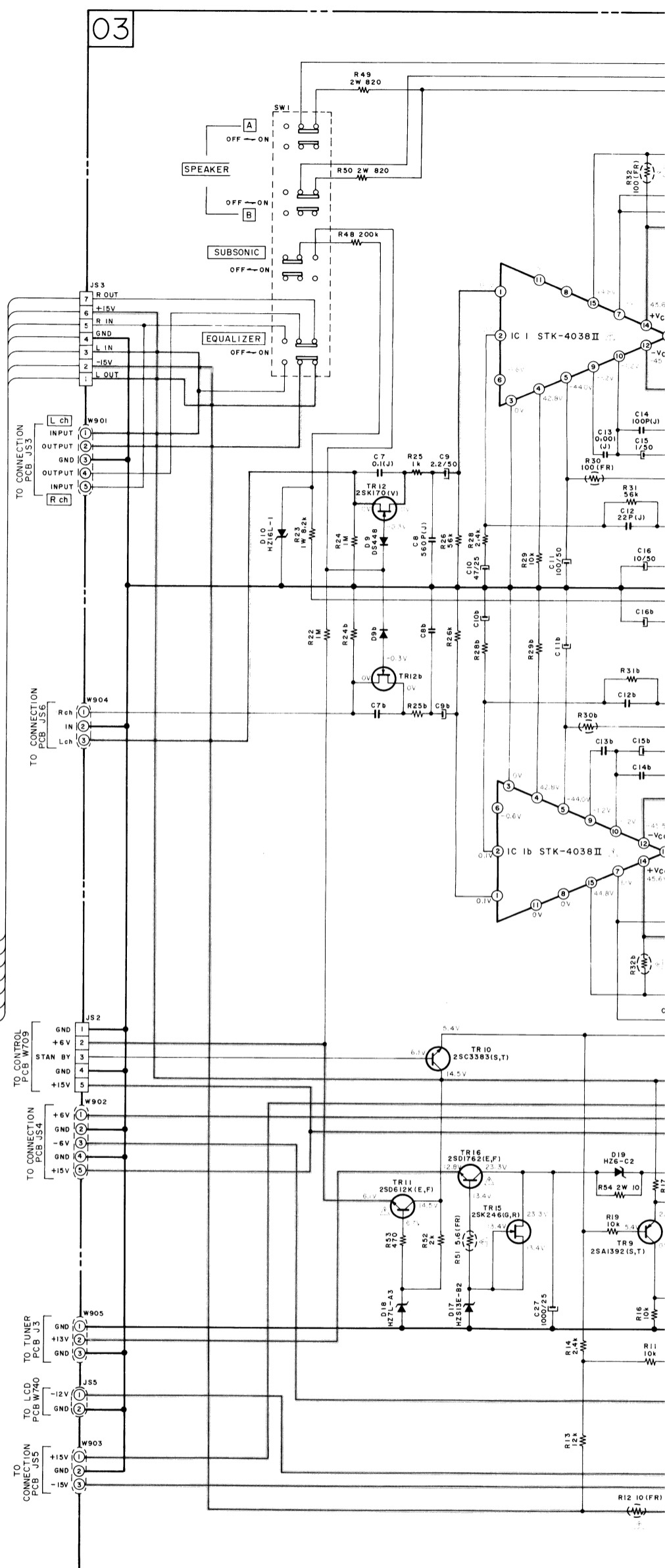
EQUALIZER VR BLOCK



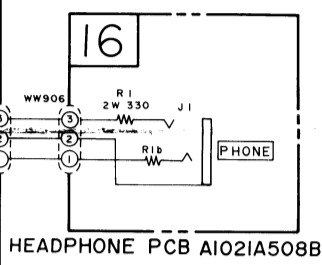
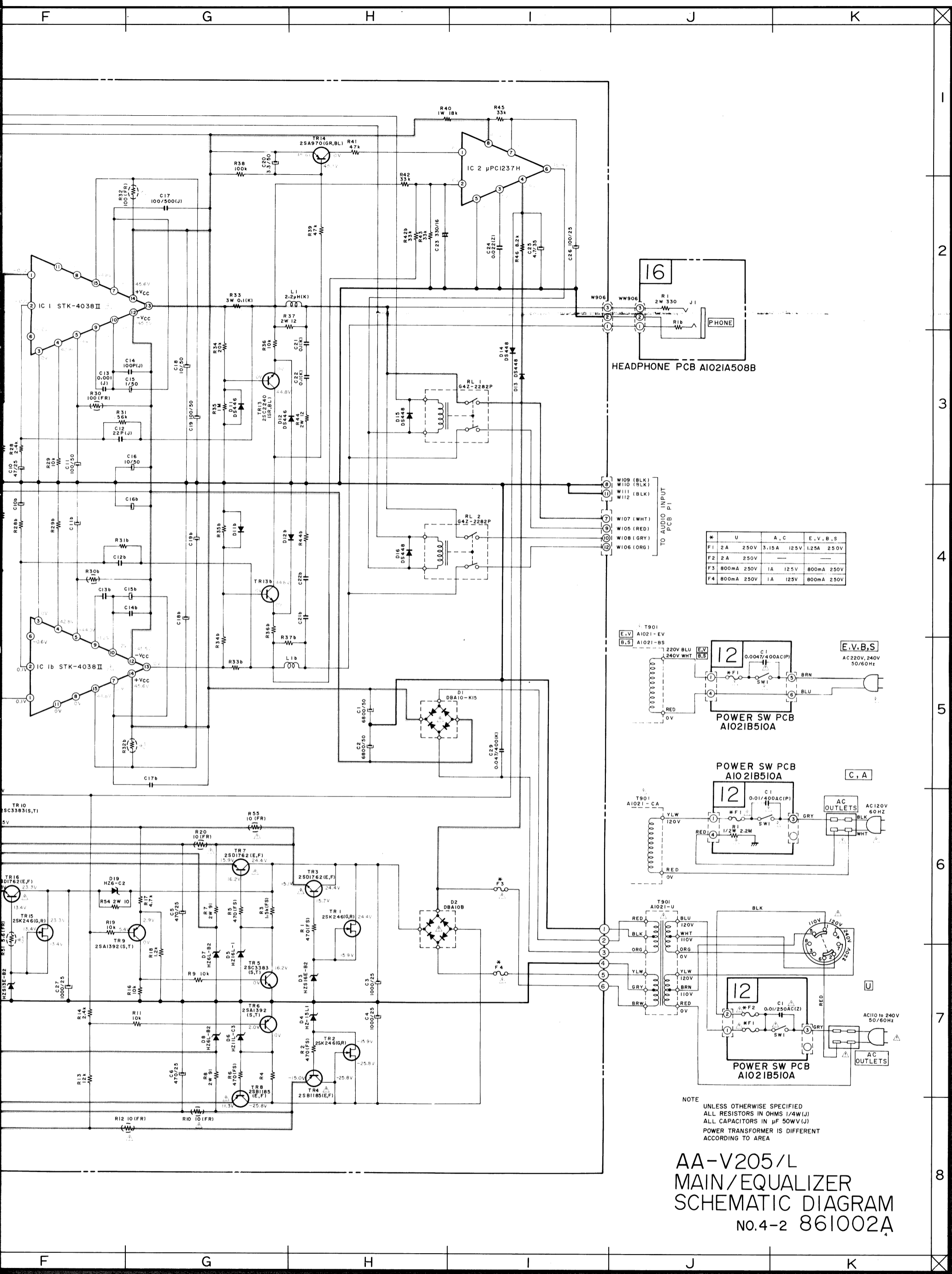
G. EQUALIZER PCB A1021B5070

WARNING: \* N° 2011 - AVVERTENZE PER LA SICUREZZA - READ THIS INSTRUCTIONS CAREFULLY BEFORE USING THE EQUIPMENT. \* N° 2011 - AVERTISSEMENTS - LIREZ ATTENTIVEMENT LES INSTRUCTIONS AVANT D'UTILISER L'APPAREIL. \* N° 2011 - AVERTISSEMENTS - LEZ ATTENTIVAMENTE LAS INSTRUCCIONES ANTES DE USAR EL EQUIPO. \* N° 2011 - AVERTISSEMENTS - LEZ ATTENTIVAMENTE LAS INSTRUCCIONES ANTES DE USAR EL EQUIPO.

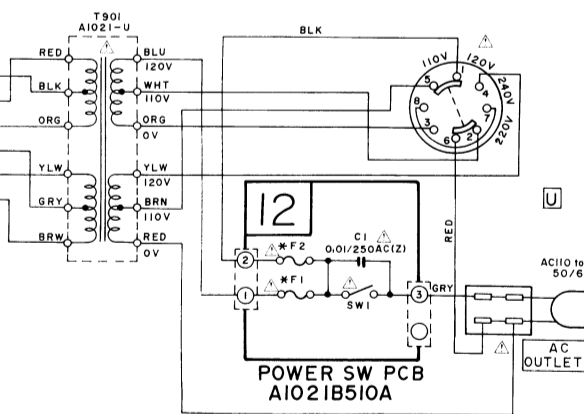
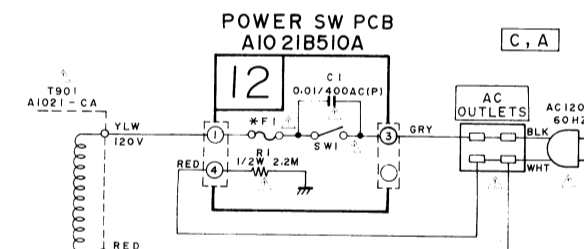
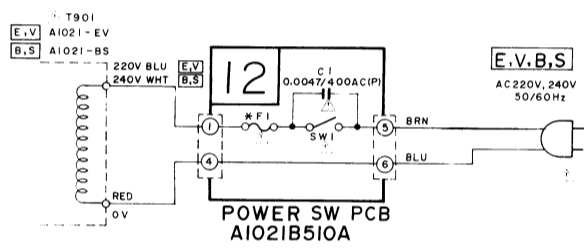
03



MAIN PCB A1021A508A



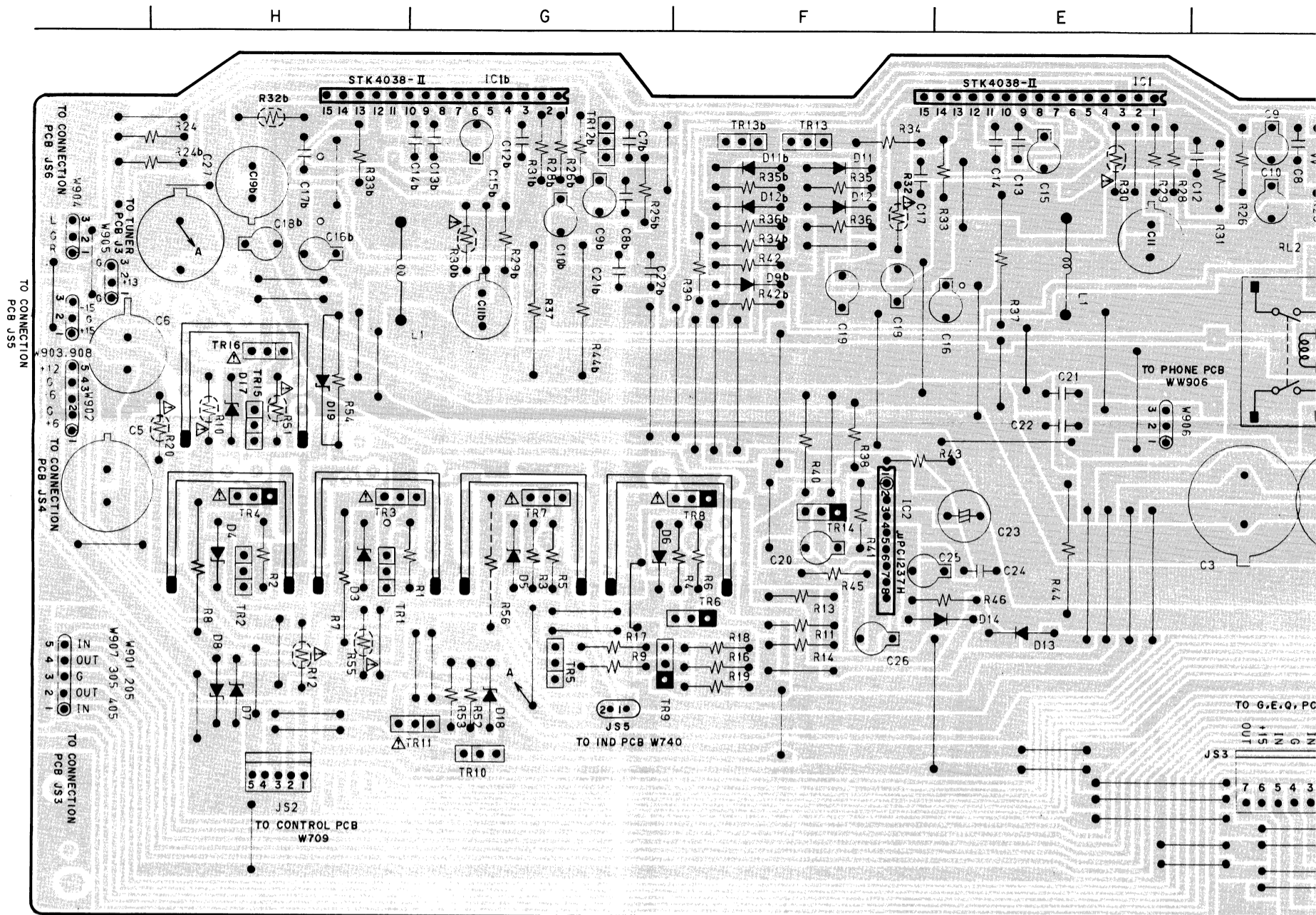
* U	A, C	E, V, B, S
F1 2 A	250V 3.15A 125V	1.25A 250V
F2 2 A	250V	
F3 800mA	250V 1A 125V	800mA 250V
F4 800mA	250V 1A 125V	800mA 250V



NOTE  
UNLESS OTHERWISE SPECIFIED  
ALL RESISTORS IN OHMS 1/4W(J)  
ALL CAPACITORS IN µF 50WV(J)  
POWER TRANSFORMER IS DIFFERENT  
ACCORDING TO AREA

AA-V205/L  
MAIN/EQUALIZER  
SCHEMATIC DIAGRAM  
NO.4-2 861002A

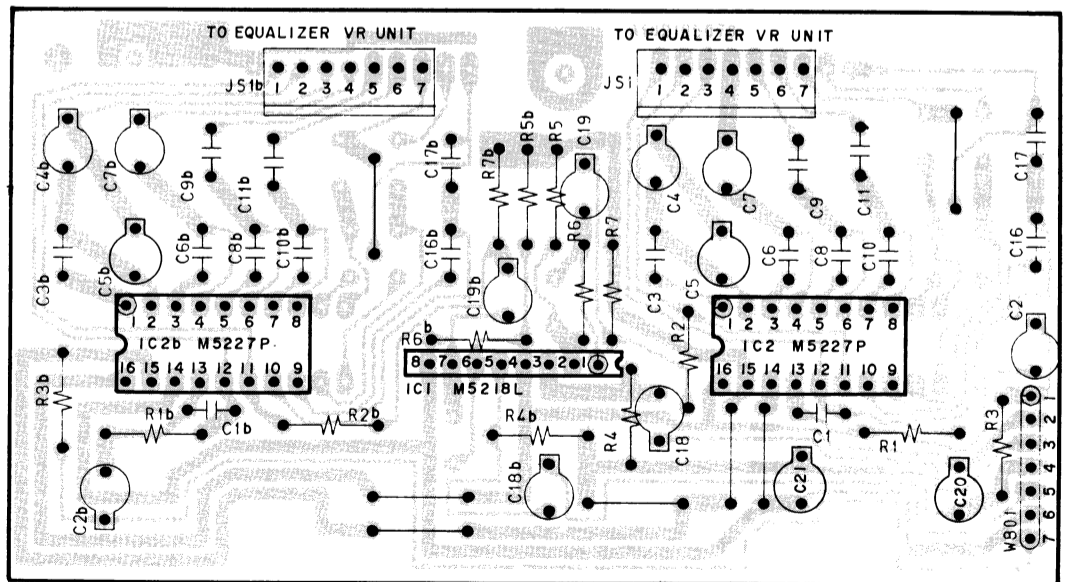
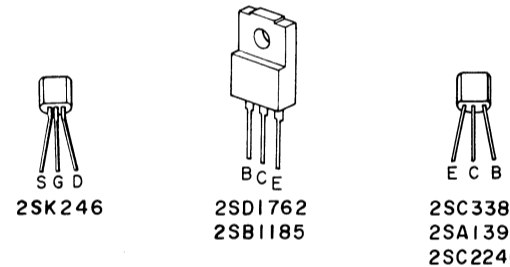
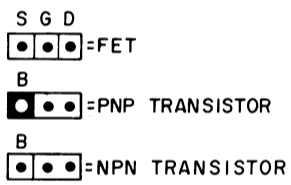




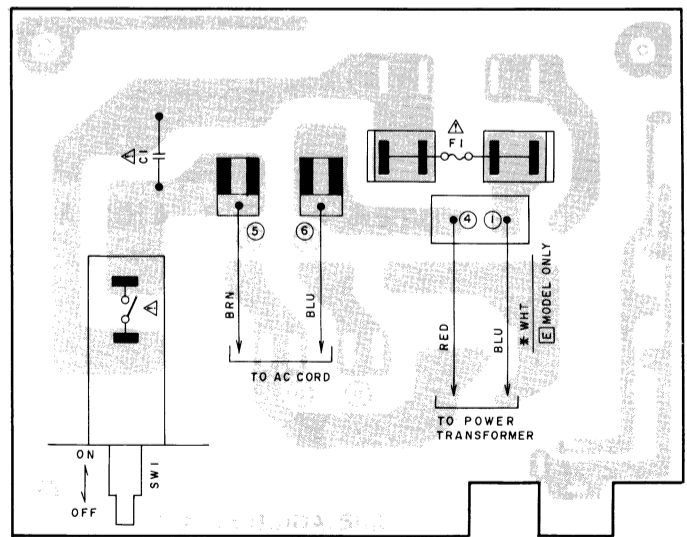
**MAIN PCB A1021A508A**

LOCATION OF COMPONENTS

- |           |            |                    |
|-----------|------------|--------------------|
| IC's      | TR7---G2   | TR1,2,15---2SK246  |
| IC1---G1  | TR8---F2   | TR3,7,16---2SD1762 |
| IC1b---E1 | TR9---G3   | TR4,8---2SB1185    |
| IC2---F2  | TR10---G3  | TR5,10---2SC3383   |
| TR's      | TR11---G3  | TR6,9---2SA1392    |
| TR1---H2  | TR12---D1  | TR11---2SD612K     |
| TR2---H2  | TR12b---G1 | TR12---2SK170      |
| TR3---H2  | TR13---F1  | TR13---2SC2240     |
| TR4---H2  | TR13b---F1 | TR14---2SD970      |
| TR5---G3  | TR14---F2  |                    |
| TR6---F3  | TR15---H2  |                    |
|           | TR16---H2  |                    |

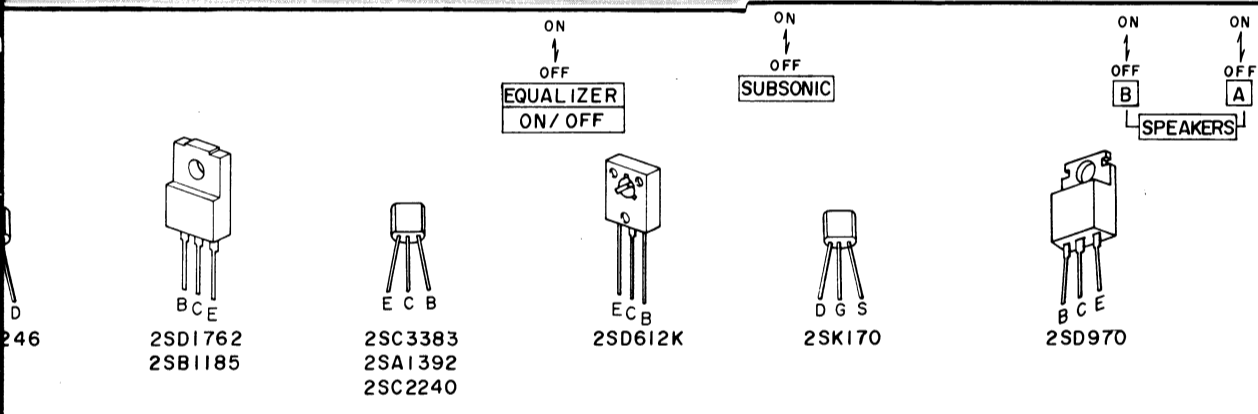
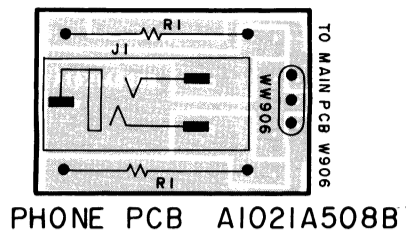
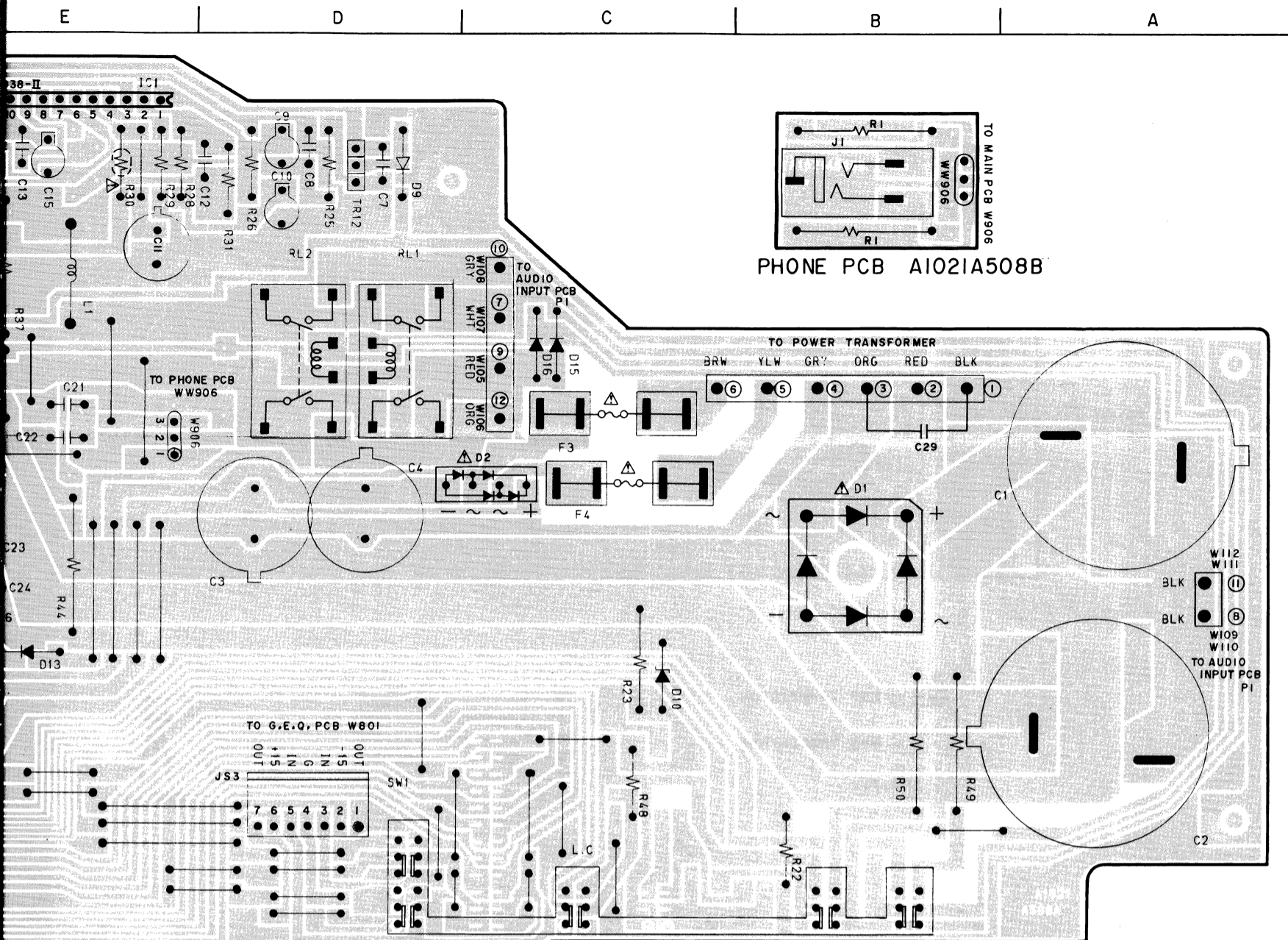


**G EQUALIZER PCB A1021B5070**



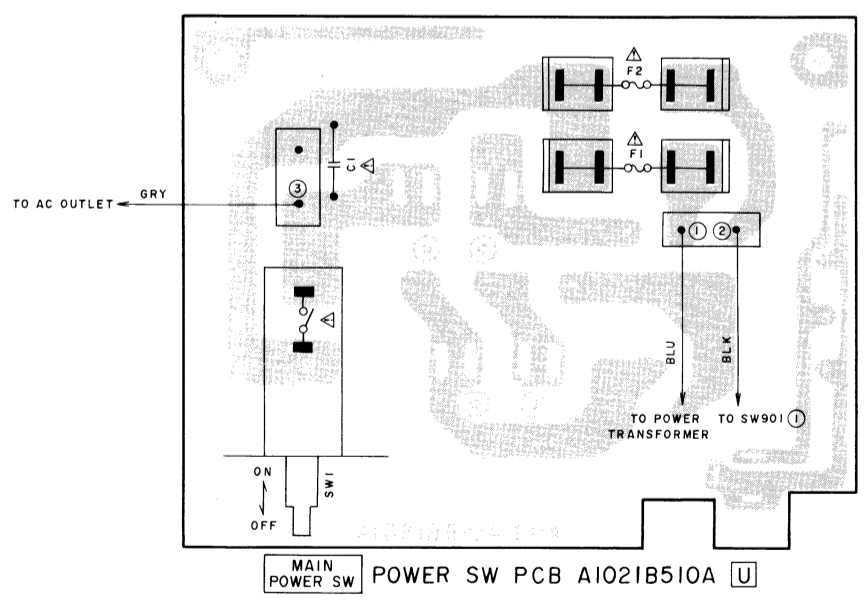
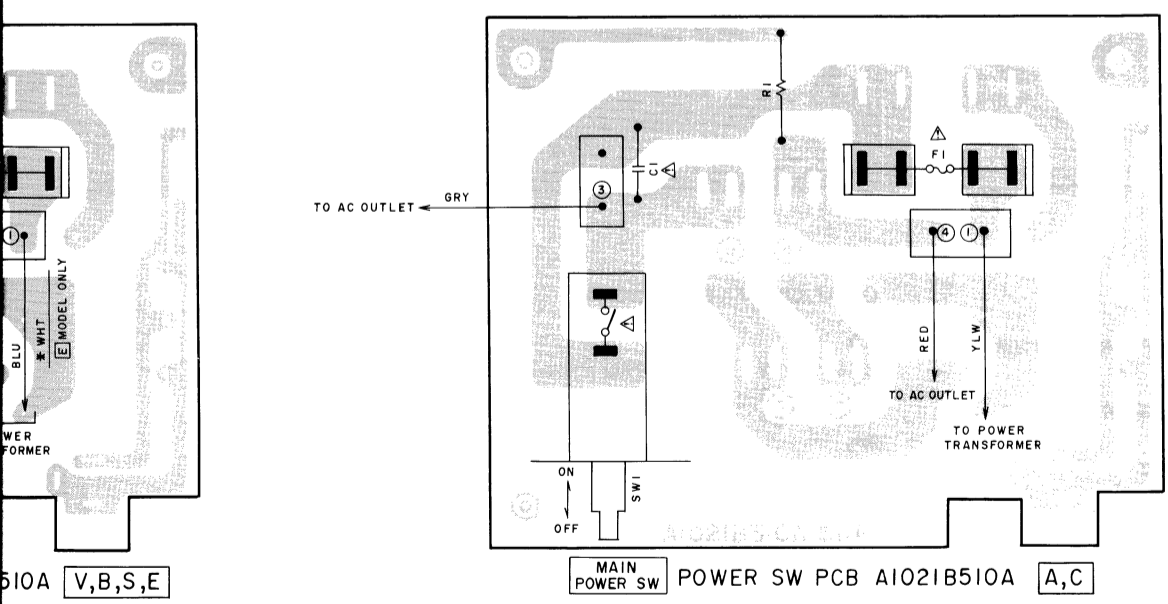
**POWER SW PCB A1021B510A V,B,S,E**

TO AC OUTLET



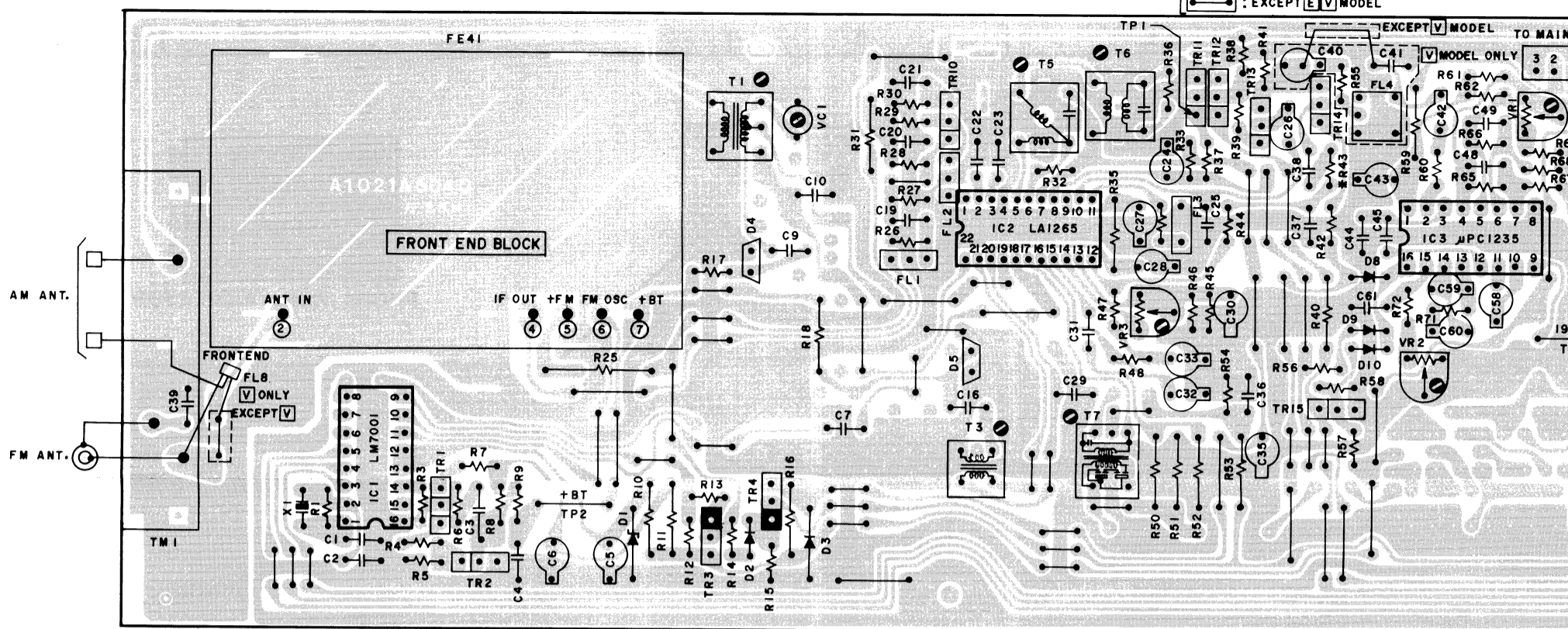
WARNING:  $\Delta$  INDICATES SAFETY CRITICAL COMPONENTS FOR CONTINUED SAFETY. REPLACE SAFETY CRITICAL COMPONENTS ONLY WITH MANUFACTURER'S RECOMMENDED PARTS

AVERTISSEMENT:  $\Delta$  IL INDIQUE LES COMPOSANTS CRITIQUES DE SÉCURITÉ POUR MAINTENIR LE DEGRÉ DE SÉCURITÉ DE L'APPAREIL. NE REMPLACER QUE DES PIÈCES RECOMMANDÉES PAR LE FABRICANT





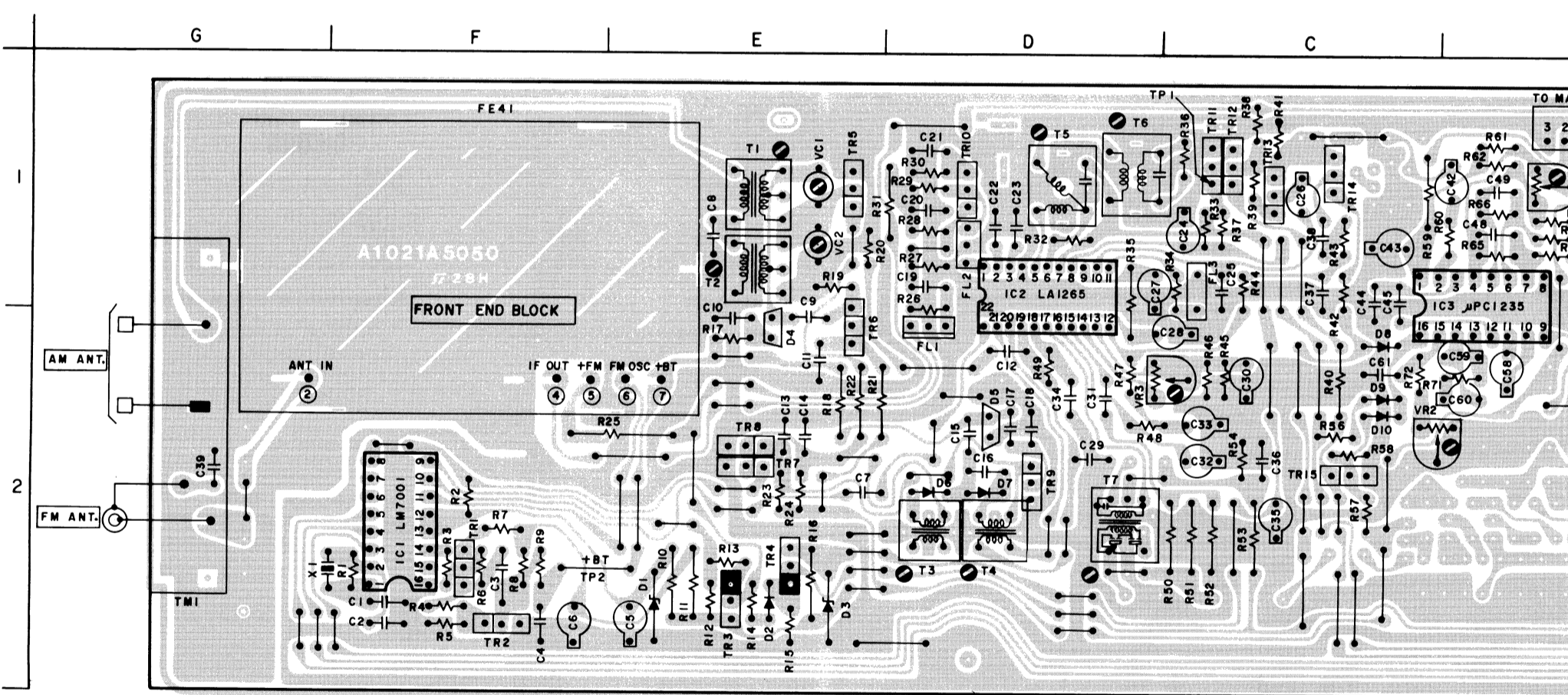
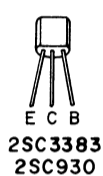
\* R43 : E V MODEL ONLY  
 : EXCEPT E V MODEL



TUNER PCB A1021A5045

B  
 ●●● = PNP TRANSISTOR  
 B  
 ●●● = NPN TRANSISTOR  
 S G D  
 ●●● = FET

TR1 ----- 2SK246  
 TR2,13,14 --- 2SC3383  
 TR3,4 ----- 2SA1317  
 TR10 ----- 2SC930  
 TR11,12 ---- 2SC603  
 TR15 ----- DTC144WS



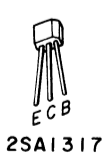
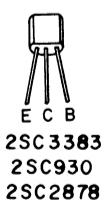
TUNER (L) PCB A1021A5050

B  
 ●●● = PNP TRANSISTOR  
 B  
 ●●● = NPN TRANSISTOR  
 S G D  
 ●●● = FET

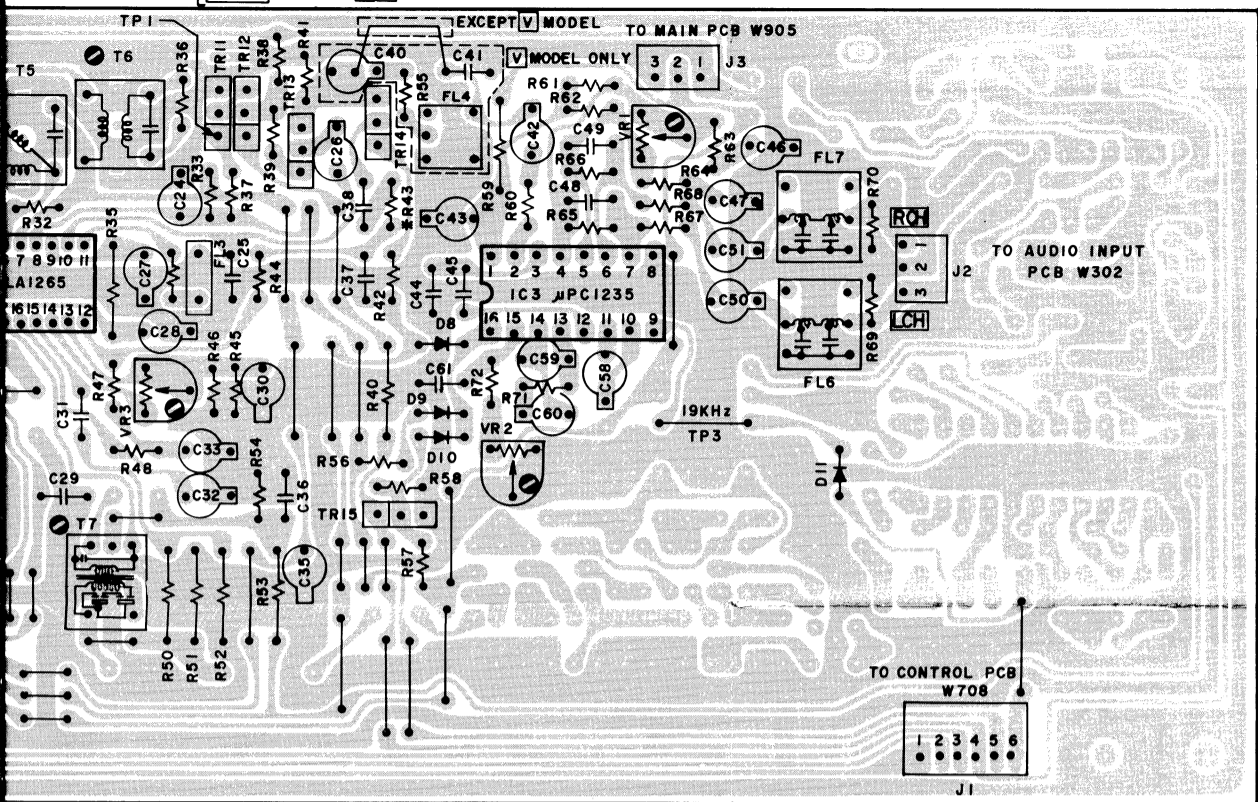
LOCATION OF COMPONENTS

TR1 ----- 2SK246  
 TR2,13,14 --- 2SC3383  
 TR3,4 ----- 2SA1317  
 TR5 ----- 2SC2878  
 TR6 ----- 2SK192  
 TR7,8,15 --- DTC144WS  
 TR9 ----- DTC144ES  
 TR10 ----- 2SC930  
 TR11,12 ---- 2SC603

IC's  
 IC1 --- F2  
 IC2 --- D2  
 IC3 --- B1  
 TR's  
 TR1 --- F2  
 TR2 --- F2  
 TR3 --- E2  
 TR4 --- E2  
 TR5 --- E1  
 TR6 --- E1  
 TR7 --- E2  
 TR8 --- E2  
 TR9 --- D2  
 TR10 --- D1  
 TR11 --- C1  
 TR12 --- C1  
 TR13 --- C1  
 TR14 --- C1  
 TR15 --- C2  
 TP1 --- C1  
 TP2 --- F2  
 TP3 --- B2



\* R43 : [E] [V] MODEL ONLY  
 [ ] : EXCEPT [E] [V] MODEL



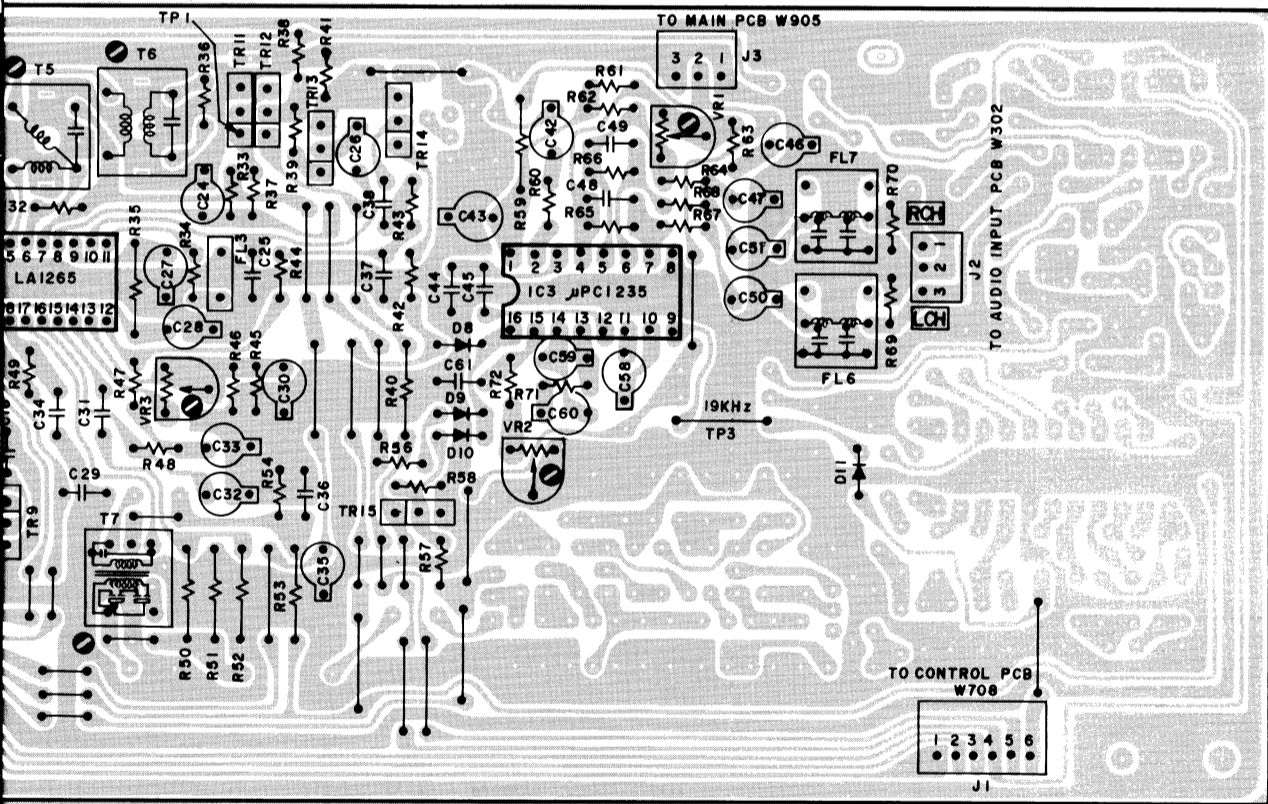
TUNER PCB A1021A5040

- |   |   |   |   |   |
|---|---|---|---|---|
|  |  |  |  |  |
| SK246   | 2SC3383<br>2SC930   | 2SA1317   | DTC144WS  | 2SC603  |






C

B

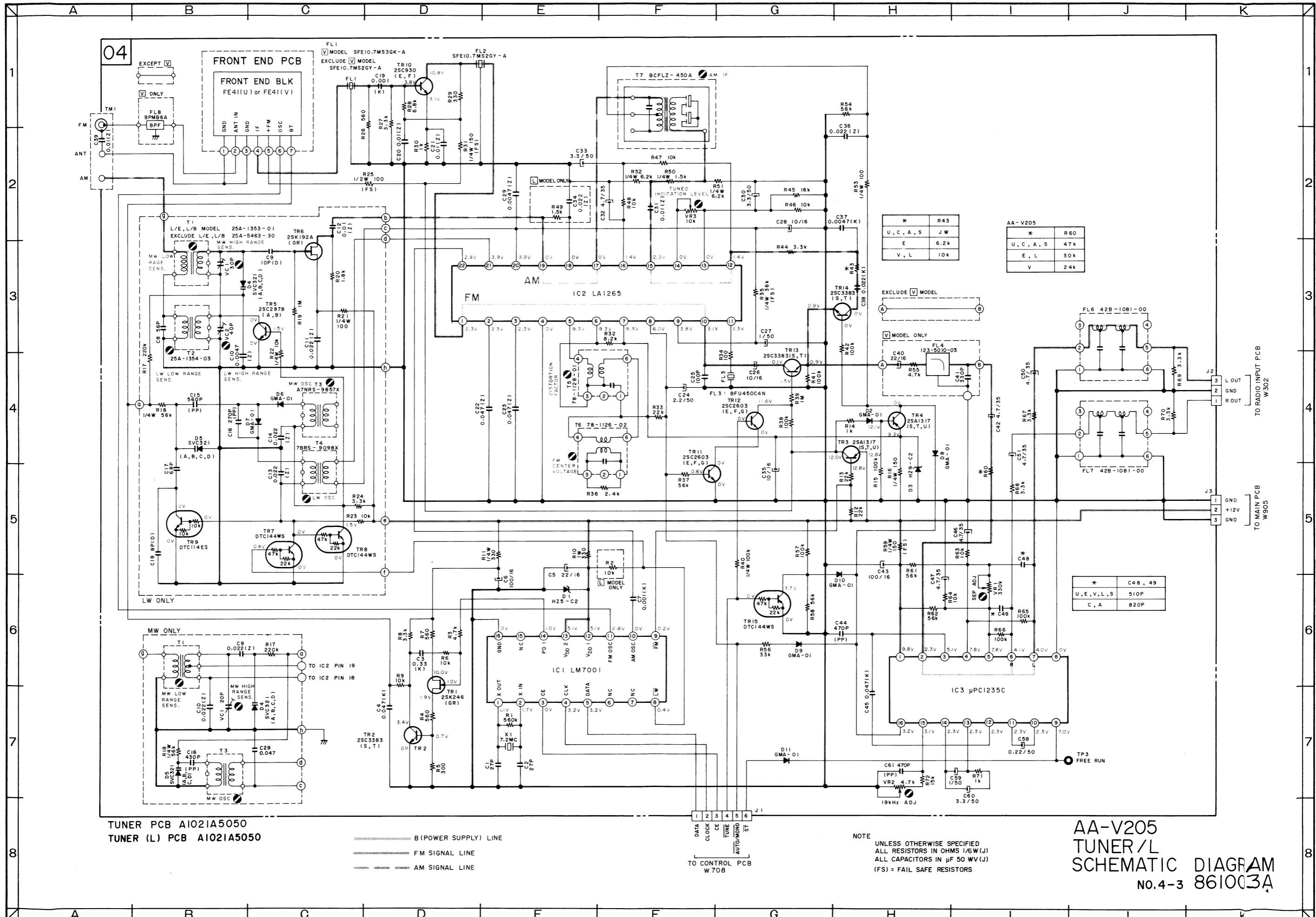
A



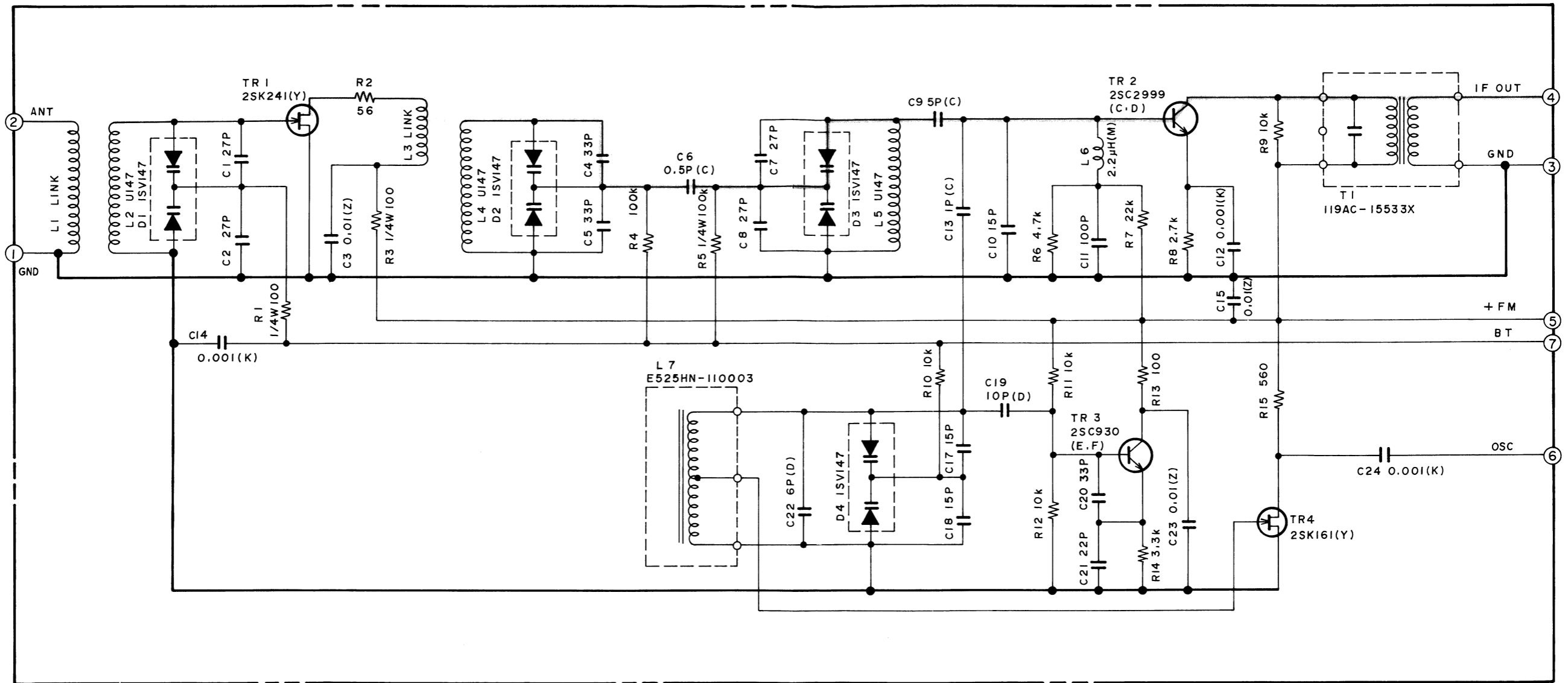
TUNER (L) PCB A1021A5050

- |   |   |   |   |   |
|---|---|---|---|---|
|  |  |  |  |  |
| 2SC3383<br>2SC930<br>2SC2878  | 2SA1317   | DTC144WS<br>DTC144ES  | 2SC603  | 2SK192  |





AA-V205  
 TUNER/L  
 SCHEMATIC DIAGRAM  
 NO.4-3 861003A



FRONT END PCB CI005B5040

NOTE  
 UNLESS OTHERWISE SPECIFIED  
 ALL RESISTORS IN OHMS 1/6W(J)  
 ALL CAPACITORS IN  $\mu$ F 50WV(J)

AA-V205 / L  
 FRONT END  
 SCHEMATIC DIAGRAM  
 NO. 4 - 4 861004A

— : SIGNAL LINE

## ABBREVIATIONS FOR SERVICE MANUAL(RECEIVER)

ABBREVIATION	EXPLANATION	ABBREVIATION	EXPLANATION
AFC	Auto Frequency Control	MEMO	MEMOry
AGC	Auto Gain Control	MI-COM	MIcro-COMputer
ALC	Auto Level Control	MIN	MINimum
AM	Amplitude Modulation	MIX	MIXing
AMP	AMPlifier	MPX	Multi pleX
ANT	ANTenna	MW	Medium Wave (frequency)
BATT	BATTery	NC	No Connection
BLK	BLock	NFB	Negative Feed Back
BUFF	BUFFer	OSC	OSCillator
COMP	COMPalator	PCB	Printed Circuit Board
DET	DETECT (DETECTor)	PLL	Phase Locked Loop
FLD		Q.D	Quadrature Detector
FM	Frequency Modulation	Rch	Right channel
FREQ	FREQUENCY	REF	REFerence
GND	GrouND	REG	REGulator
H	High	RF	Radio Frequency
HPF	High Pass Filter	SEG	SEGment
IF	Intermediate Frequency	SELE	SELEctor
IHF	Institut of High Fidelity	SENS	SENSitivity
IND	INDicator	SIG	SIGnal
I/O	In/Out	S/N	Signal to Noise Ratio
JW	Jumper Wire	SSG	Standard Signal Generator
L	Low	STD	STanDard
LCD	Liquid Crystal Display	SW	SWitch: Short Wave (frequency)
Lch	Left channel	THD	Total Harmonic Distortion
LED	Light Emitting Diode	TP	Test Point
LPF	Low Pass Filter	VCO	Voltage Controlled Oscillator
LW	Long Wave (Frequency)	VR	Variable Resistor
		X'TAL	Crystal