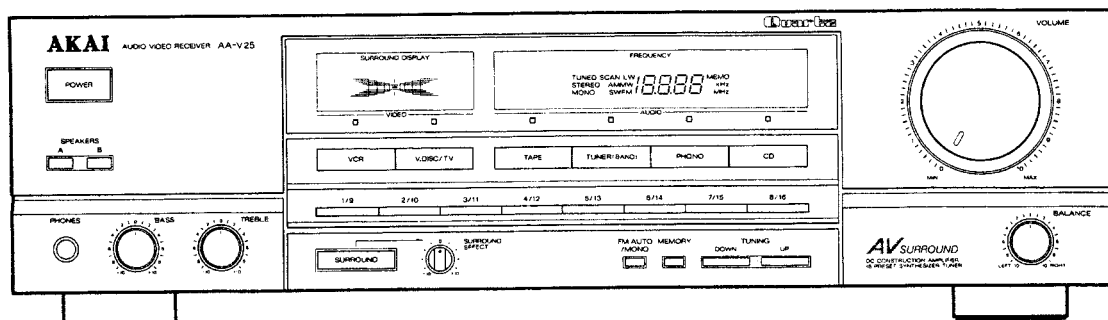


# AKAI SERVICE MANUAL



## AUDIO VIDEO RECEIVER

## MODEL AA-V25L

### SPECIFICATIONS

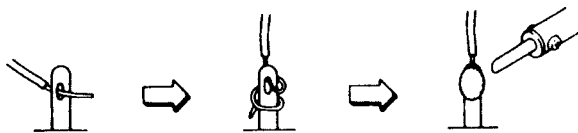
<b>AMPLIFIER SECTION</b>		Sub carrier suppression .....	55 dB
Power output .....	35 W + 35 W(8 ohms, 0.3 %)	S/N(IHF) .....	70 dB(Mono)/60 dB(Stereo)
Music power .....	200 W + 200 W	Harmonic distortion .....	0.2 %(Mono)/0.4 %(Stereo)
Power bandwidth .....	5 Hz to 40 kHz(0.5 %)	Stereo separation(1 kHz) .....	40 dB
S/N		Frequency response .....	30 Hz to 15 kHz ± 1.0 dB
Phono(MM) .....	70 dB	MW Tuner	
CD, Tape, etc. ....	90 dB	Tuning frequency range .....	531 kHz to 1,602 kHz
Residual noise .....	0.5 mV(8 ohms)	Usable sensitivity	
Channel separation .....	55 dB(1 kHz)	(AM loop antenna) .....	300 µV/m
Damping factor .....	30(8 ohms, 1 kHz)	Selectivity .....	30 dB
Required speaker impedance		Image rejection .....	45 dB
A or B .....	8 ohms to 16 ohms	IF rejection .....	35 dB
A and B .....	16 ohms	S/N .....	40 dB
Surround .....	8 ohms 16 ohms	T.H.D .....	1.0 %
<b>PRE AMPLIFIER SECTION</b>		LW Tuner	
Input sensitivity/Impedance		Tuning frequency range .....	146 kHz to 353 kHz
Phono(MM) .....	2 mV/47 kohms	Usable sensitivity	
CD, Tape, etc. ....	150 mV/47 kohms	(AM loop antenna) .....	800 µV/m
V.Disc/VCR(Audio) .....	150 mV/47 kohms	Selectivity .....	40 dB
V.Disc/VCR(Vidio) .....	1 Vp-p/75 ohms	Image rejection .....	45 dB
Output level/Impedance		IF rejection .....	35 dB
Tape rec out .....	150 mV/1 kohms	S/N .....	35 dB
VCR(Audio) .....	150 mV/1 kohms	T.H.D .....	2.0 %
Monitor/VCR(Vidio) .....	1 Vp-p/75 ohms	Power requirement .....	AC 220 V, 50 Hz for Europe except UK AC 240 V, 50 Hz for UK and Australia
Frequency response .....	5 Hz to 80 kHz(-3 dB)	Dimensions .....	425(W) x 124(H) x 325(D) mm (16.7 x 4.9 x 12.8 inches)
Tone control		Weight .....	5.7 kg(12.5 lbs)
Bass .....	± 8 dB(100 Hz)		
Treble .....	± 8 dB(10 kHz)		
Phono max. input level .....	120 mV(MM)		
<b>TUNER SECTION</b>		<b>Standard accessories</b>	
FM tuner		FM antenna .....	x1
Tuning frequency range .....	87.5 MHz to 108.0 MHz	AM loop antenna .....	x1
Usable sensitivity .....	12.7 dBf	FM antenna plug .....	x1
Quieting sensitivity		Operator's manual .....	x1
(IHF, S/N=50 dB) .....	19.2 dBf(Mono)/40.2 dBf (Stereo)		
Capture ratio .....	2.0dB		
Selectivity(400 kHz) .....	60 dB		
Image rejection .....	50 dB		
IF rejection .....	80 dB		
Suprious rejection .....	80 dB		
AM suppression .....	50 dB		

\* For improvement purposes, specifications and design are subject to change without notice.

# ★ SAFETY INSTRUCTIONS

## PRECAUTIONS DURING SERVICING

1. Parts identified by the  $\Delta$  (\*) symbol are critical for safety. Replace only with parts number specified.
2. In addition to safety, other parts and assemblies are specified for conformance with such regulations as those applying to spurious radiation.  
These must also be replaced only with specified replacements.  
Examples: RF converters, tuner units, antenna selector switches, RF cables, noise blocking capacitors, noise blocking filters, etc.
3. Use specified internal wiring. Note especially:
  - 1) Wires covered with PVC tubing
  - 2) Double insulated wires
  - 3) High voltage leads
4. Use specified insulating materials for hazardous live parts. Note especially:
  - 1) Insulation Tape
  - 2) PVC tubing
  - 3) Spacers (Insulating Barriers)
  - 4) Insulation sheets for transistors
  - 5) Plastic screws for fixing microswitch (especially in turntable)
5. When replacing AC primary side components (transformers, power cords, noise blocking capacitors, etc.), wrap ends of wires securely about the terminals before soldering.



6. Observe that wires do not contact heat producing parts (heatsinks, oxide metal film resistors, fusible resistors, etc.).

7. Check that replaced wires do not contact sharp edged or pointed parts.
8. Also check areas surrounding repaired locations.
9. Use care that foreign objects (screws, solder droplets, etc.) do not remain inside the set.

## SAFETY CHECK AFTER SERVICING

After servicing, make measurements of leakage-current or resistance in order to determine that exposed parts are acceptably insulated from the supply circuit.

The leakage-current measurement should be done between accessible metal parts (such as chassis, ground terminal, microphone jacks, signal-input/output connectors, etc.) and the earth ground through a resistor of 1500 ohms paralleled with a 0.15  $\mu$ F capacitor, under the unit's normal working conditions. The leakage-current should be less than 0.5 mA rms AC.

The resistance measurement should be done between accessible exposed metal parts and power cord plug prongs with the power switch (if included) "ON". The resistance should be more than 2.2 Mohms.

## ★ INFORMATION

### SYMBOLS FOR PRIMARY DESTINATION

Alphabet indicates the destination of the units as listed below.

Symbols	Principal Destinations
A	USA
B	UK
C	Canada
E	Europe (except UK)
J	Japan
S	Australia
V	W. Germany only
U	Universal Area
Y*	Custom version

# I. CONTROLS

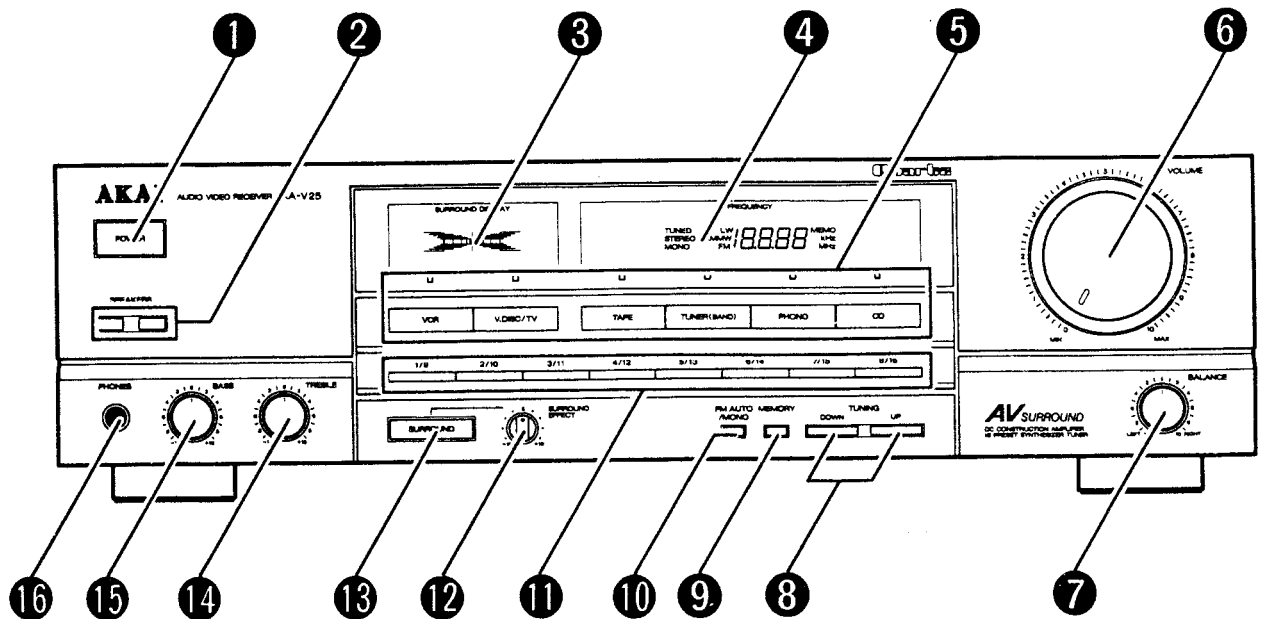
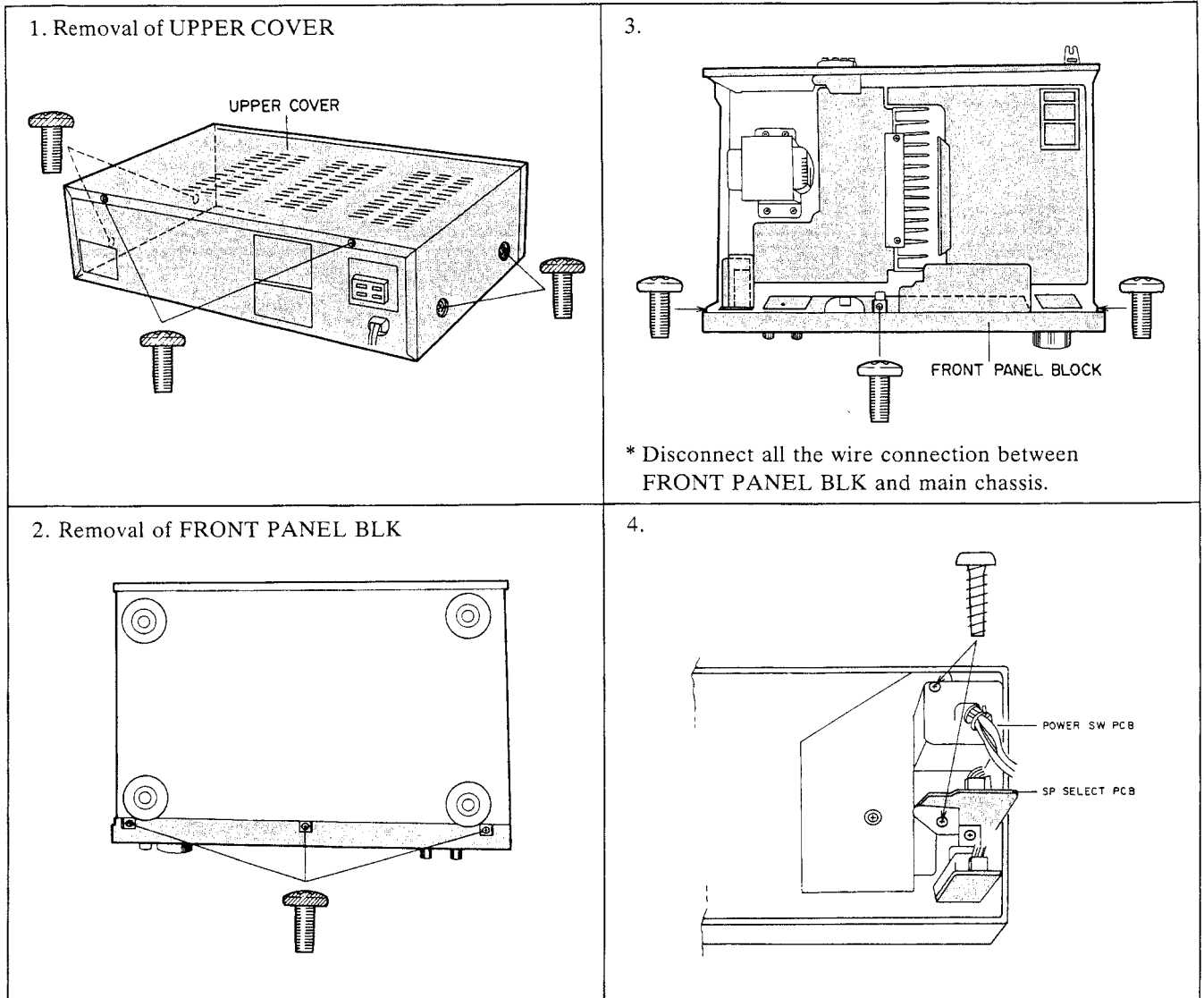


Fig. 1-1

- ❶ POWER Button**  
To turn the power on and off.
- ❷ SPEAKERS A/B Switch**  
(**⬅** ON/**➡** OFF)  
To select the speaker system. For headphone listening, set both switches to **➡**. When using two pairs of speaker systems at the same time, set both switches to **⬅**.
- ❸ SURROUND DISPLAY Indicator**  
Tells you the surround system is engaged.
- ❹ LC (Liquid Crystal) Display**  
Tells you what the receiver is doing.
- ❺ AUDIO and VIDEO Input Select Buttons (VCR, V.DISC/TV, TAPE, TUNER, PHONO, CD) and LED (Light Emitting Diode) Indicators**  
To select the audio or video source you wish to play back.  
**Note**  
The tuning band can be selected by pressing the TUNER button repeatedly FM, MW and LW.
- ❻ VOLUME Control**  
To adjust the volume level. The surround speaker level can be adjusted at the same time when the surround system is engaged.
- ❼ BALANCE Control**  
To adjust the left and right channel balance. Normally set the control to I.
- ❽ TUNING Control Button (UP/DOWN)**  
To tune in a station.
- ❾ MEMORY Button**  
To store tuned in stations at preset station buttons.
- ❿ FM Mode Button (FM AUTO/MONO)**  
To select between the stereo and monaural mode during FM reception.
- ⓫ Preset Station Buttons (1-8/9-16)**  
To memorize and recall stations.
- ⓬ SURROUND EFFECT Control**  
To increase or decrease the surround effect. Set the control to its center click position for reference effect level during playback.
- ⓭ SURROUND Switch**  
To turn the surround system on and off.
- ⓮ TREBLE Tone Control**  
To adjust the high note (treble) level. When set to 0, the control is ineffective.
- ⓯ BASS Tone Control**  
To adjust the low note (bass) level. When set to 0, the control is ineffective.
- ⓰ PHONES Jack**  
For connection of headphones.

## II. DISASSEMBLY

In case of trouble, etc necessitating dismantling in the order shown in the illustration. Reassemble in reverse order.



### III. PRINCIPAL PARTS LOCATION

---

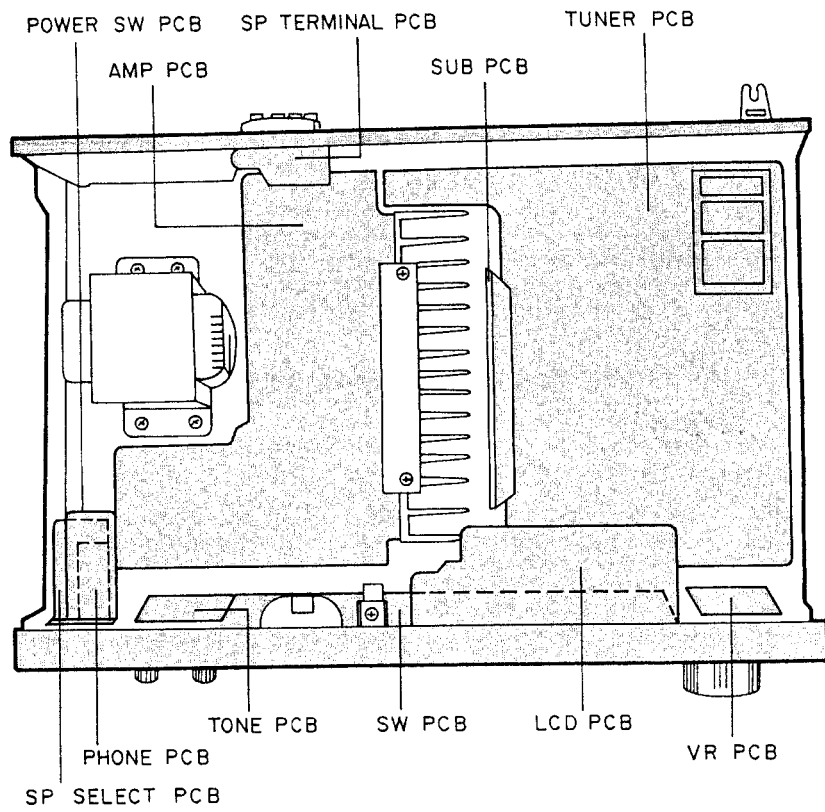


Fig. 3-1

# IV. ELECTRICAL ADJUSTMENT

## 4-1. INSTRUMENT CONNECTIONS

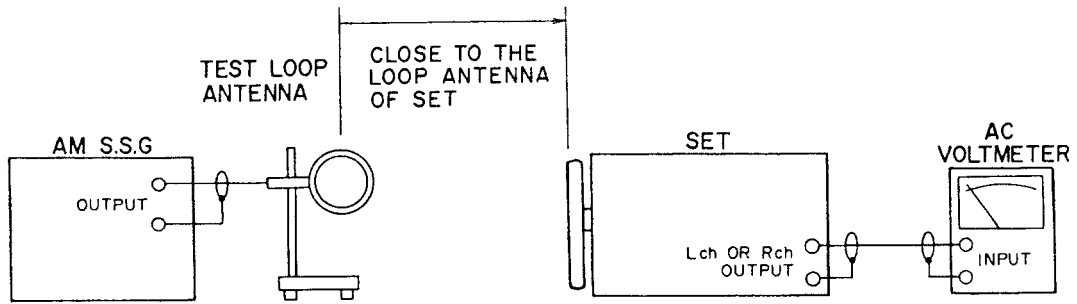


Fig. 4-1 Instrument connections for AM(MW/LW) section adjustment

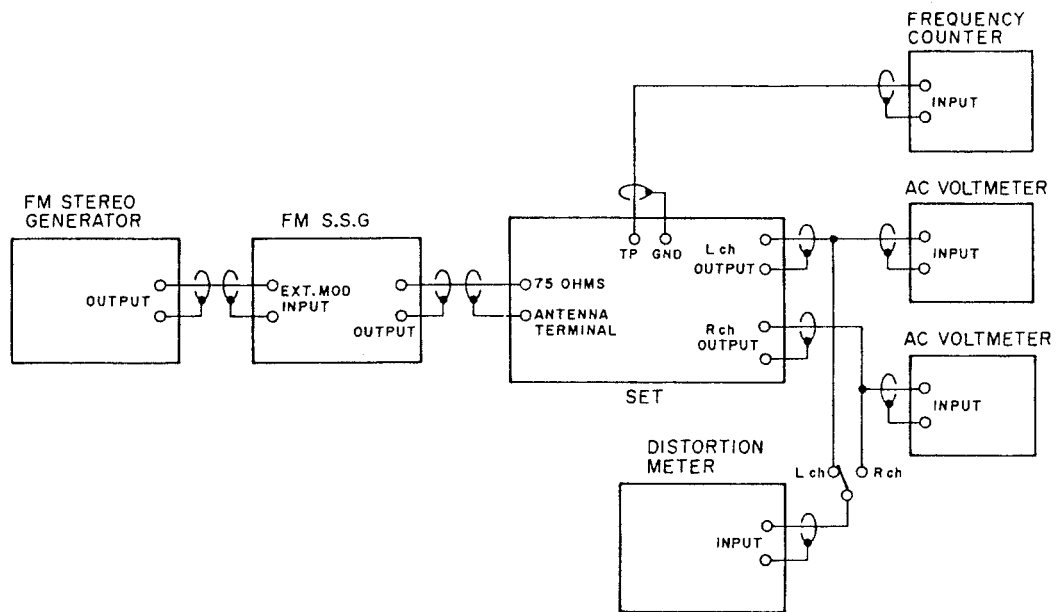


Fig. 4-2 Instrument connections for FM section adjustment

## 4-2. TUNER PCB ADJUSTMENT

Step	Adjustment item
1.	Input signal, S.S.G output level
2.	Tuning frequency
3.	Test point, ADJ. part
4.	•Remarks *Result

### FM

**NOTES:**  
 1. Set the S.S.G to 1 kHz 75kHz deviation.  
 2. In step 4 normally confirmation only, except waved coil by mistake.  
 3. 0dBμ=1μV

4 TRACKING
1. 106.0 MHz(MONO), 15 dBμ
2. 106.0 MHz
3. TAPE REC OUT, L1 and L3
4. •Connect a distortion meter to TAPE REC OUT. *Minimum distortion(Less than 3.0 %)

1 TUNING VOLTAGE(FM OSC)
1. 87.5 MHz, 20 dBμ
2. 87.5 MHz
3. R64, L4
4. •Connect a DC digital voltmeter between R64 and GND. *DC 3.00 ± 0.05 V

3 FM IF
1. 98 MHz(MONO), 60dBμ
2. 98 MHz
3. TAPE REC OUT, T1 and T3
4. •Connect a distortion meter to TAPE REC OUT. *Minimum distortion(Less than 0.6 %)

7 STEREO SEPARATION
1. 98 MHz(STEREO), 60 dBμ (Input L ch. or R ch. only)
2. 98 MHz(STEREO mode)
3. TAPE REC OUT, VR4
4. •Connect an AC milli-voltmeter to TAPE REC OUT which opposite side channel of signal input channel. *Minimum output level

2 CENTER VOLTAGE
1. No signal input
2. Tune only noise without interference from broadcasting.
3. Both ends of R26, T2
4. •Connect a DC voltmeter between both end of R26. *DC 0 ± 0.05 V

### LW

1 TUNING VOLTAGE
1. 353 kHz, 55 dBμ
2. 353 kHz
3. R64, L12
4. •Connect a DC digital voltmeter between R64 and GND. *DC 8.4 ± 0.1 V

3 TRACKING(HIGH)
1. 350 kHz, 40 dBμ
2. 350 kHz
3. TAPE REC OUT, VC2
4. •Connect an AC milli-voltmeter to TAPE REC OUT. *Maximum output level

2 TRACKING(LOW)
1. 150 kHz, 40 dBμ
2. 150 kHz
3. TAPE REC OUT, L10
4. •Connect an AC milli-voltmeter to TAPE REC OUT. *Maximum output level

6 MPX(VCO)
1. 98 MHz(MONO), 60dBμ
2. 98 MHz(STEREO mode)
3. R63(TP3), VR3
4. •Connect a frequency counter between R63(TP3) and GND. •Cut jumper wire(JP75). *19.00 ± 0.05 kHz •After this adjustment connect jumper wire(JP75).

5 INDICATER LEVEL
1. 98 MHz, 25 dBμ
2. 98 MHz
3. Display on the front panel, VR2
4. •Just turned on the "TUNED" indicator *After this adjustment, confirm that "TUNED" indicator is turned off at 20dBμ input.

### MW

**NOTES:**  
 1. Set the S.S.G to 1 kHz, 30% modulation.

3 TRACKING(HIGH)
1. 1404 kHz, 25 dBμ
2. 1404 kHz
3. TAPE REC OUT, VC1
4. •Connect an AC milli-voltmeter to TAPE REC OUT. *Maximum output level

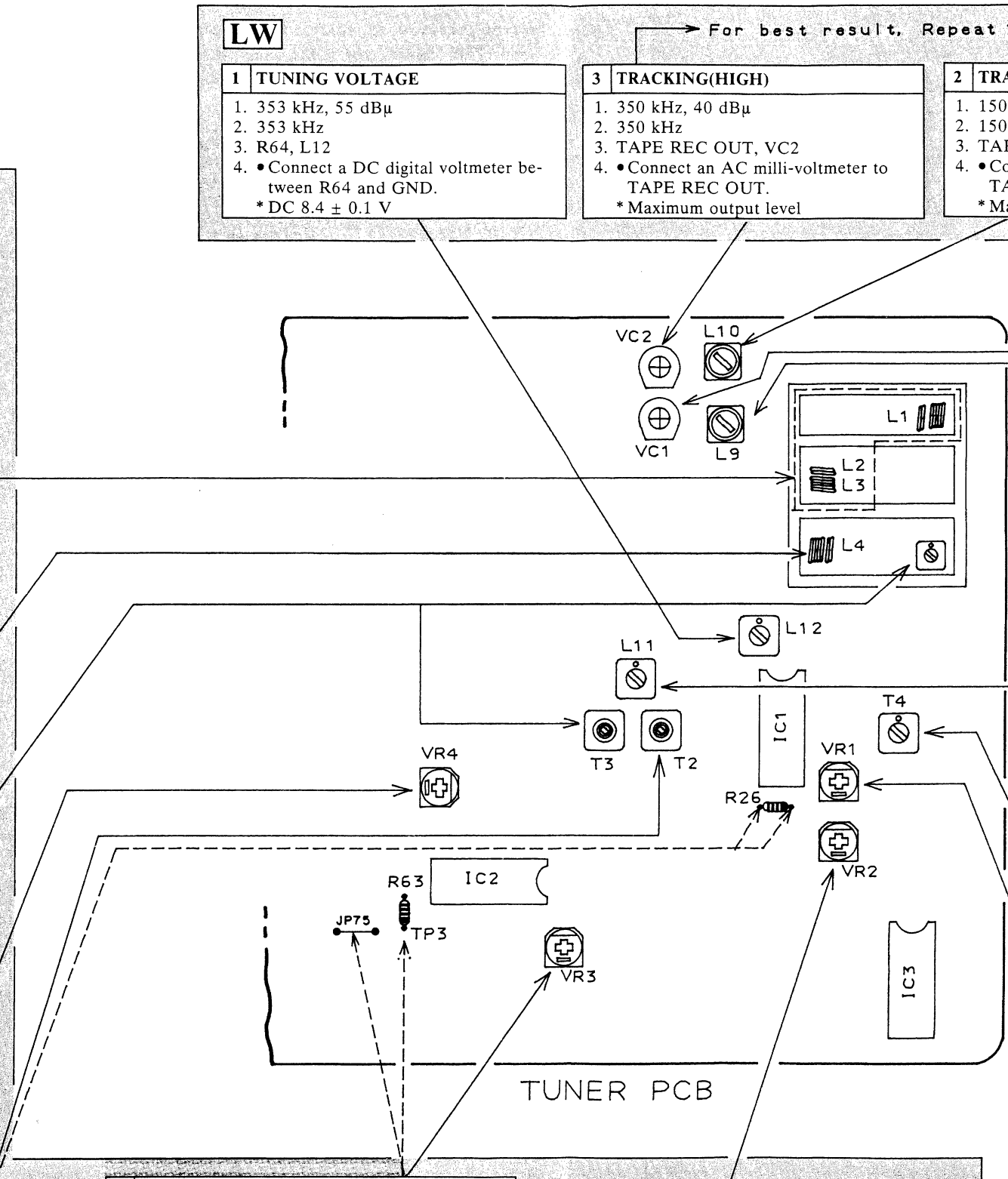
For best result, Repeat 2 or 3 times.

2 TRACKING(LOW)
1. 603 kHz, 25 dBμ
2. 603 kHz
3. TAPE REC OUT, L9
4. •Connect an AC milli-voltmeter to TAPE REC OUT. *Maximum output level

1 TUNING VOLTAGE(MW OSC)
1. 1602 kHz, 37 dBμ
2. 1602 kHz
3. R64, L11
4. •Connect a DC digital voltmeter between R64 and GND. *DC 7.3 ± 0.1 V

4 MW IF
1. 999 kHz, 45 dBμ
2. 999 kHz
3. TAPE REC OUT, T4
4. •Connect an AC milli-voltmeter to TAPE REC OUT. *Maximum output level

5 TUNING INDICATOR
1. 999 kHz, 33 dBμ
2. 999 kHz
3. Display on the front panel, VR1
4. •Just turned on the "TUNED" indicator



# V. PARTS LIST

## ATTENTION

- When placing an order for parts, be sure to list Part No., Model No. and the description of each part. Otherwise, the non-delivery of the part or the delivery of a wrong part may result.
- Please make sure that Part No. is correct when ordering. If not, a part different from the one you ordered may be delivered.
- Since the parts shown in Parts List of Preliminary Service Manual may have been the subject of changes, please use this Parts List for all future reference.

## HOW TO USE THIS PARTS LIST

- This Parts List lists those parts which are considered necessary for repairs. Other common parts, such as resistors and capacitors, are listed in the "Common List for Service Parts" from which these parts should be selected and stocked.
- The Recommended Spare Parts List shows those parts in the Parts List which are considered particularly important for service.
- Parts not shown in the Parts List and "Common List for Service Parts" will not in principle be supplied.
- How to read the Parts List.

a) Mechanism Block

### 2. HEAD BASE BLOCK

REF. NO.	PART NO.	DESCRIPTION
1	BH-T2023A320A	HEAD BASE BLOCK
2	HP-H2206A010A	HEAD R/P PR4-8FU C
3	ZS-477876	PAN20×03STL CMT
4	ZS-536488	BID20×08STL CMT
5	ZG-402895	SP CS ANGLE ADJUST

SP (Service Parts) Classification

This number corresponds with the individual parts index number in that figure.

b) PC Board

### 6. MAIN PC BOARD

REF. NO.	PART NO.	DESCRIPTION
IC1	EI-324536	IC HD14049BP
IC2	EI-336801	IC MB8841-564M
C1A	EC-338399	C MMY V 223M 250AC [U,E,B,S]
C1B	EC-350949	C MMY V 223M 250DC [J]
C1C	EC-338397	C MMY V 223M 125AC [C,A]
X1	EI-318384	OSC X'TAL NC-18C

Symbols for primary destination

[A]: AAL (U.S.A) [S]: SAA (Australia)  
 [B]: BEAB (England) [U]: U/T (Universa Area)  
 [C]: CSA (Canada) Area  
 [E]: CEE (Europe) [V]: VDE (W. Germany)  
 [J]: JPN (Japan) [Y]: Custom Version

SP (Service Parts) Classification

These reference symbols correspond with component symbols in the Schematic Diagrams.

The available PC Board Blocks are listed separately.

- When Part No. is known, Parts Index at end of Parts List can be used to locate where that part is shown in Parts List by its Reference No. listed at right of Part No.

## WARNING

△(\*) INDICATES SAFETY CRITICAL COMPONENTS. FOR CONTINUED SAFETY, REPLACE SAFETY CRITICAL COMPONENTS ONLY WITH MANUFACTURE'S RECOMMENDED PARTS.

## AVERTISSEMENT

△(\*) IL INDIQUE LES COMPOSANTS CRITIQUES DE SÉCURITÉ. POUR MAINTENIR LE DEGRÉ DE SÉCURITÉ DE L'APPAREIL, NE REMPLACER QUE DES PIÈCES RECOMMANDÉES PAR LE FABRICANT.

## 1. RECOMMENDED SPARE PARTS

We suggest you to stock the following Recommended Spare Part items listed below since they can cover most of the routine service.

Ref. No.	Part No.	Description
1	*BT-730350J	TRANS POW (E) AA-V25L [E]
2	EC-357142	C DOUBLE LAYER EECW5R5F 473
3	ED-730394J	D LED SLR40MG3F [PHONO]
4	ED-307572	D SILICON H 1SS131
5	*ED-704547	D SILICON KBPC-802
6	*ED-730405J	D SILICON 2W02
7	ED-722346J	D VARACTOR SVC321SP [LW]
8	ED-381066J	D ZENER H HZ15E-B1
9	ED-308860	D ZENER H RD16E B
10	ED-318434	D ZENER H RD22E B2
11	ED-708797	D ZENER H RD6.2E B1
12	ED-707404	D ZENER H RD9.1E B2
13	*EF-359007	FUSE BET T 250V 1.25A [E]
14	*EF-359086	FUSE BET T 250V 4.00A
15	*EF-358641	FUSE BET T 250V 800MA
16	EH-367900	FILTER CE SFE10.7MA5 10.700MHZ
17	EH-723977J	FILTER CE SFE10.7MS3-A
18	EH-719331	FILTER CE SFZ450G
19	EI-730389J	IC AN7470
20	EI-367572	IC BA15218
21	EI-373980	IC BA15218N
22	EI-361624	IC LA1265
23	EI-353852	IC LA7016
24	EI-347120	IC SN74LS145N
25	*EI-366695	IC STK4172II
26	EI-349392	IC TC9164N
27	EI-363289	IC TC9172P
28	EI-363290	IC TC9302AF-011-BS
29	EI-723343J	OSC X'TAL 7200KHZ
30	EL-730399J	PL CORD 18V 200MA
31	EM-730398J	IND LCD LU1X629B
32	ES-730370J	SW PUSH [SURROUND SW]
33	ES-730400J	SW PUSH [SPEAKER A,B]
34	*ES-337902	SW PUSH SDDL1 01-1
35	ES-730395J	SW TACT [1/9]
36	ET-363326	TR FET 2SK161 GR
37	ET-355556	TR FET 2SK241 Y
38	ET-337759	TR FET 2SK246 GR
39	ET-730392J	TR FET 2SK519 HO [LW]
40	ET-308867	TR 2SA1015 O,Y,GR
41	*ET-366365	TR 2SB1185 E,F
42	ET-389251J	TR 2SC1740S S F05
43	*ET-330225	TR 2SC1815 BL
44	ET-730391J	TR 2SC2668 O
45	ET-372102	TR 2SC2878 B [LW]
46	ET-360695	TR 2SD1302 S,T
47	*ET-366581	TR 2SD1762 E,F
48	EV-730390J	D VARACTOR SVC203SP
49	EV-730402J	VR ROTARY 100KX2 [TREBLE]
50	EV-730403J	VR ROTARY 100KX2 [MAIN VR]
51	EV-730404J	VR ROTARY 200KX2 [BALANCE]

## 2. P.C BOARD BLOCK

Ref. No.	Part No.	Description
1	BA-730369J	PC AMP BLK AA-V25L (E) [E]
2	BA-730372J	PC TUNER BLK AA-V25L

## 3. AMP P.C BOARD

Ref. No.	Part No.	Description
D311	ED-307572	D SILICON H 1SS131
D312	ED-318434	D ZENER H RD22E B2
D313	ED-318434	D ZENER H RD22E B2
D314	*ED-704547	D SILICON KBPC-802
D315	ED-307572	D SILICON H 1SS131
D316	ED-307572	D SILICON H 1SS131
D317	ED-308860	D ZENER H RD16E B
D318	ED-308860	D ZENER H RD16E B
D319	*ED-730405J	D SILICON 2W02
D320	ED-308860	D ZENER H RD16E B
D321	ED-307572	D SILICON H 1SS131
D322	ED-307572	D SILICON H 1SS131
D323	ED-307572	D SILICON H 1SS131
D324	ED-307572	D SILICON H 1SS131
D325	ED-307572	D SILICON H 1SS131
D326	ED-307572	D SILICON H 1SS131
F301	*EF-358641	FUSE BET T 250V 800MA
F401	*EF-359086	FUSE BET T 250V 4.00A
IC311	EI-373980	IC BA15218N
IC312	EI-373980	IC BA15218N
IC313	*EI-366695	IC STK4172II
Q311	*ET-366581	TR 2SD1762 E,F
Q312	*ET-366365	TR 2SB1185 E,F
Q313	*ET-330225	TR 2SC1815 BL
Q314	ET-308867	TR 2SA1015 O,Y,GR
Q315	ET-308867	TR 2SA1015 O,Y,GR
Q316	ET-330225	TR 2SC1815 BL
Q401	ET-360695	TR 2SD1302 S,T
R332	*ER-318248	R FUSE H S10 ERD2FC 1/4W 47R0G
R333	ER-302241	R CB H S10 FS RDS 1/4W 4R7J
R334	ER-322591	R CB H S10 FS RDS 1/4W 101J
R340	*ER-328278	R FUSE H ERD2FC 1/4W 10R0G
R343	*ER-328278	R FUSE H ERD2FC 1/4W 10R0G
R418	ER-341940	R OMF H S15 FS 1W 100J
R419	ER-311685	R CB H S15 FS RDS 1/2W 4R7J
R420	ER-307245	R OMF H S20 FS 2W 181J
SP-J2	EJ-730371J	SPEAKER TERMINAL 4P [SURROUND SPEAKER]
SW301	ES-730370J	SW PUSH [SURROUND SW]



#### 4. TUNER P.C BOARD

Ref. No.	Part No.	Description
CF1	EH-367900	FILTER CE SFE10.7MA5 10.700MHZ
CF2	EH-723977J	FILTER CE SFE10.7MS3-A
CF3	EH-719331	FILTER CE SFZ450G
D1	EV-730390J	D VARACTOR SVC203SP
D2	EV-730390J	D VARACTOR SVC203SP
D3	EV-730390J	D VARACTOR SVC203SP
D4	ED-307572	D SILICON H 1SS131
D5	ED-307572	D SILICON H 1SS131
D6	ED-307572	D SILICON H 1SS131
D7	ED-307572	D SILICON H 1SS131
D8	ED-707404	D ZENER H RD9.1E B2
D9	ED-708797	D ZENER H RD6.2E B1
D10	ED-381066J	D ZENER H HZ15E-B1
D11	ED-722346J	D VARACTOR SVC321SP [LW]
D12	ED-722346J	D VARACTOR SVC321SP
D13	ED-307572	D SILICON H 1SS131 [LW]
D14	ED-307572	D SILICON H 1SS131
D15	ED-307572	D SILICON H 1SS131 [LW]
D16	ED-307572	D SILICON H 1SS131 [LW]
D18	ED-307572	D SILICON H 1SS131
D302	ED-307572	D SILICON H 1SS131
D303	ED-307572	D SILICON H 1SS131
IC1	EI-361624	IC LA1265
IC2	EI-730389J	IC AN7470
IC3	EI-363289	IC TC9172P
IC301	EI-367572	IC BA15218
L7	EO-337523	COIL FIX 1 TL-8 223J
L8	EO-337523	COIL FIX 1 TL-8 223J
L9	EO-730377J	COIL
L10	EO-730378J	COIL [LW]
L11	EO-730379J	COIL OSC [LW]
L12	EO-730380J	COIL OSC
AT-J3	EJ-730386J	ANT TERMINAL
P-J4	EJ-730387J	PIN JACK 8P [PHONE/CD/TAPE]
P-J5	EJ-730388J	PIN JACK 10P [MONI/VCR/V.DISC]
Q1	ET-355556	TR FET 2SK241 Y
Q2	ET-730391J	TR 2SC2668 O
Q3	ET-730391J	TR 2SC2668 O
Q4	ET-363326	TR FET 2SK161 GR
Q5	ET-730391J	TR 2SC2668 O
Q6	ET-389251J	TR 2SC1740S S F05
Q7	ET-389251J	TR 2SC1740S S F05
Q8	ET-389251J	TR 2SC1740S S F05
Q9	ET-389251J	TR 2SC1740S S F05
Q10	ET-389251J	TR 2SC1740S S F05
Q11	ET-389251J	TR 2SC1740S S F05
Q12	ET-337759	TR FET 2SK246 GR
Q13	ET-389251J	TR 2SC1740S S F05
Q14	ET-308867	TR 2SA1015 O,Y,GR
Q15	ET-389251J	TR 2SC1740S S F05
Q16	ET-308867	TR 2SA1015 O,Y,GR
Q17	*ET-366581	TR 2SD1762 E,F
Q18	*ET-366581	TR 2SD1762 E,F
Q19	ET-730392J	TR FET 2SK519 HO [LW]
Q20	ET-372102	TR 2SC2878 B [LW]
Q21	ET-389251J	TR 2SC1740S S F05 [LW]
Q22	ET-389251J	TR 2SC1740S S F05 [LW]
R81	*ER-328278	R FUSE H ERD2FC 1/4W 10R0G
R84	*ER-318647	R FUSE H S10 ERD2FC 1/4W 4R7J
R301	*ER-200746	R FUSE H ERD2FC 1/4W 1000G
R302	*ER-200746	R FUSE H ERD2FC 1/4W 1000G
T1	EO-730373J	COIL IFT 012-135
T2	EO-730374J	COIL IFT 192

Ref. No.	Part No.	Description
T3	EO-730375J	COIL IFT 193
T4	EO-730376J	COIL IFT 0012-309
VC1	EC-730381J	C S-FIX H (A30-413)
VC2	EC-730381J	C S-FIX H (A30-413) [LW]
VR1	EV-730382J	R S-FIX H 20K
VR2	EV-730384J	R S-FIX H 50K
VR3	EV-730383J	R S-FIX H 5K
VR4	EV-730385J	R S-FIX H 500K

#### 5. SUB P.C BOARD

Ref. No.	Part No.	Description
D301	ED-307572	D SILICON H 1SS131
IC302	EI-349392	IC TC9164N
IC303	EI-353852	IC LA7016
IC304	EI-367572	IC BA15218
Q301	ET-330225	TR 2SC1815 BL
Q302	ET-330225	TR 2SC1815 BL
Q303	ET-330225	TR 2SC1815 BL
Q304	ET-330225	TR 2SC1815 BL
R310	*ER-200746	R FUSE H ERD2FC 1/4W 1000G
R311	ER-333663	R CB H S15 FS RDS 1/2W 391J
R312	ER-333616	R CB H S15 FS RDS 1/2W 151J
R313	*ER-200746	R FUSE H ERD2FC 1/4W 1000G
R314	ER-333616	R CB H S15 FS RDS 1/2W 151J

#### 6. LCD P.C BOARD

Ref. No.	Part No.	Description
C104	EC-357142	C DOUBLE LAYER EECW5R5F 473
D101	ED-307572	D SILICON H 1SS131
D102	ED-307572	D SILICON H 1SS131
D103	ED-307572	D SILICON H 1SS131
D105	ED-307572	D SILICON H 1SS131 [LW]
D107	ED-307572	D SILICON H 1SS131
IC101	EI-363290	IC TC9302AF-011-BS
L101	EO-345913	COIL FIX 1 LAL03KH 100K
LCD	EM-730398J	IND LCD LU1X629B
PL	EL-730399J	PL CORD 18V 200MA
Q101	ET-389251J	TR 2SC1740S S F05
X101	EI-723343J	OSC X'TAL 7200KHZ

#### 7. SW P.C BOARD

Ref. No.	Part No.	Description
D111	ED-307572	D SILICON H 1SS131
D112	ED-307572	D SILICON H 1SS131
D113	ED-307572	D SILICON H 1SS131
D114	ED-307572	D SILICON H 1SS131
IC111	EI-347120	IC SN74LS145N
LD111	ED-730394J	D LED SLR40MG3F [PHONO]
LD112	ED-730394J	D LED SLR40MG3F [V.DISC/TV]
LD113	ED-730394J	D LED SLR40MG3F [TAPE]
LD114	ED-730394J	D LED SLR40MG3F [[CD]
LD115	ED-730394J	D LED SLR40MG3F [TUNER]
LD116	ED-730394J	D LED SLR40MG3F [VCR]
S111	ES-730395J	SW TACT [1/9]
S112	ES-730395J	SW TACT [2/10]
S113	ES-730395J	SW TACT [3/11]
S114	ES-730395J	SW TACT [4/12]
S115	ES-730395J	SW TACT [5/13]
S116	ES-730395J	SW TACT [6/14]
S117	ES-730395J	SW TACT [7/15]
S118	ES-730395J	SW TACT [8/16]
S119	ES-730395J	SW TACT [MEMORY]
S120	ES-730395J	SW TACT [TUNER]
S121	ES-730395J	SW TACT [UP]
S122	ES-730395J	SW TACT [DOWN]
S123	ES-730395J	SW TACT [ST/MONO]
S124	ES-730395J	SW TACT [PHONO]
S125	ES-730395J	SW TACT [CD]
S126	ES-730395J	SW TACT [TAPE]
S127	ES-730395J	SW TACT [VCR]
S128	ES-730395J	SW TACT [V.DISC/TV]

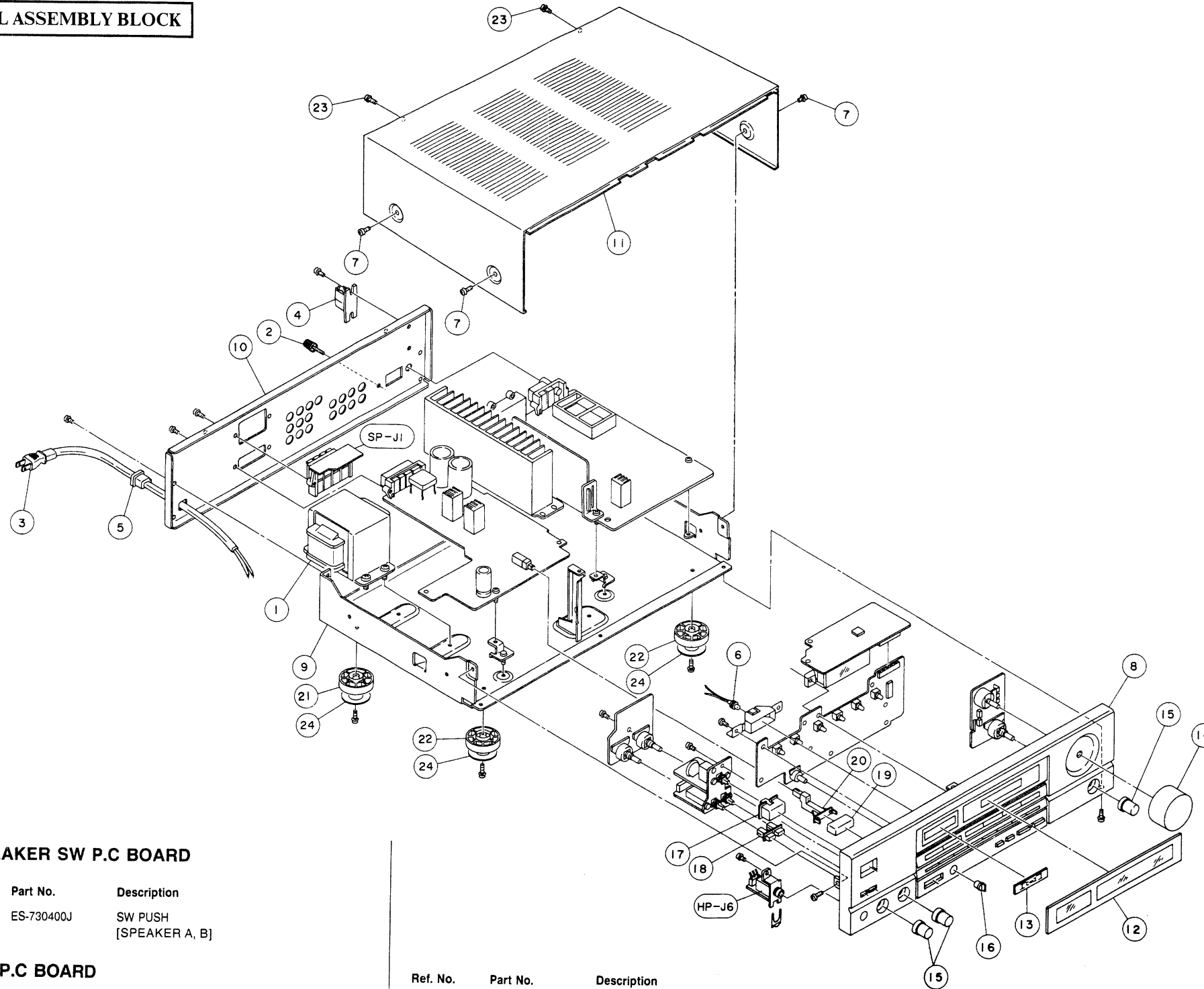
#### 8. TONE P.C BOARD

Ref. No.	Part No.	Description
IC314	EI-373980	IC BA15218N
VR303	EV-730402J	VR ROTARY 100KX2 [TREBLE]
VR304	EV-730402J	VR ROTARY 100KX2 [BASS]

#### 9. POWER SW P.C BOARD

Ref. No.	Part No.	Description
S304	*ES-337902	SW PUSH SDDL1 01-1
F302	*EF-359007	FUSE BET T 250V 1.25A [E]

**FINAL ASSEMBLY BLOCK**



**10. SPEAKER SW P.C BOARD**

Ref. No.	Part No.	Description
S302	ES-730400J	SW PUSH [SPEAKER A, B]

**11. VR P.C BOARD**

Ref. No.	Part No.	Description
VR301	EV-730403J	VR ROTARY 100KX2 [MAIN VR]
VR302	EV-730404J	VR ROTARY 200KX2 [BALANCE]

**12. FINAL ASSEMBLY**

Ref. No.	Part No.	Description
1	*BT-730350J	TRANS POW (E) AA-V25L [E]
2	EJ-722929T	TERMINAL EARTH
3A	*EW-347897	AC CORD 2 CORES VM0364,LCFL EV
3B	*EW-347898	AC CORD 2 CORES VM-0436,LCFL S
3C	*EW-374894	AC CORD 2C VM-0129A,VFF U/T
4	SZ-730355J	HOLDER LOOP ANT
5	*EZ-371605	BUSH CORD 2271

Ref. No.	Part No.	Description
6	SC-730356J	LAMP CASE
7	ZS-730406J	SCREW DT-BFR30X08SBK
8	SP-730357J	PANEL FRONT AA-V25
11	SC-730407J	UPPER COVER AA-V25
12	SE-730358J	WINDOW DISPLAY
13	SE-730359J	PLATE SURROUND
14	SK-730360J	KNOB VOLUME
15	SK-730361J	KNOB TONE
16	SK-730362J	KNOB EFFECT
17	SK-730363J	KNOB POWER
18	SK-730364J	KNOB SPEAKER SW
19	SK-730365J	KNOB SURROUND
20	MZ-730366J	SWITCH JOINT
21	SA-730367J	FOOT (REAR)
22	SA-730368J	FOOT (FRONT)
23	ZS-305827	ST BID30X06STL BNI
24	SA-730349J	CUSHION FOOT
HP-J6	EJ-357090	PHONE J 3P YKB22-5010 W/NUT
SP-J1	EJ-730401J	SPEAKER TERMINAL 8P

**NOTE:**  
Parts will not be supplied if they are not listed in the parts list, even if they appear on the assembling illustrations with reference No.

**13. ACCESSORY**

Ref. No.	Part No.	Description
1	EE-730354J	ANT LOOP
2	EE-315329	ANT DIPOLE SAE-010
3	EJ-352118	SOCKET COAX PAL B2-714P-900

# INDEX

Part No.	Ref. No.	Part No.	Ref. No.	Part No.	Ref. No.	Part No.	Ref. No.
BA-730369J	2-1	EI-347120	1-24	ES-730395J	7-S121	SC-730356J	12-6
BA-730372J	2-2	EI-347120	7-IC111	ES-730395J	7-S122	SC-730407J	12-11
BT-730350J	1-1	EI-349392	1-26	ES-730395J	7-S123	SE-730358J	12-12
BT-730350J	12-1	EI-349392	5-IC302	ES-730395J	7-S124	SE-730359J	12-13
EC-357142	1-2	EI-353852	1-23	ES-730395J	7-S125	SK-730360J	12-14
EC-357142	6-C104	EI-353852	5-IC303	ES-730395J	7-S126	SK-730361J	12-15
EC-730381J	4-VC1	EI-361624	1-22	ES-730395J	7-S127	SK-730362J	12-16
EC-730381J	4-VC2	EI-361624	4-IC1	ES-730395J	7-S128	SK-730363J	12-17
ED-307572	1-4	EI-363289	1-27	ES-730400J	1-33	SK-730364J	12-18
ED-307572	3-D311	EI-363289	4-IC3	ES-730400J	10-S302	SK-730365J	12-19
ED-307572	3-D315	EI-363290	1-28	ES-730400J	10-S303	SP-730357J	12-8
ED-307572	3-D316	EI-363290	6-IC101	ET-308867	1-40	SZ-730355J	12-4
ED-307572	3-D321	EI-366695	1-25	ET-308867	3-Q314	ZS-305827	12-23
ED-307572	3-D322	EI-366695	3-IC313	ET-308867	3-Q315	ZS-730406J	12-7
ED-307572	3-D323	EI-367572	1-20	ET-308867	4-Q14		
ED-307572	3-D324	EI-367572	4-IC301	ET-308867	4-Q16		
ED-307572	3-D325	EI-367572	5-IC304	ET-330225	1-43		
ED-307572	3-D326	EI-373980	1-21	ET-330225	3-Q313		
ED-307572	4-D4	EI-373980	3-IC311	ET-330225	3-Q316		
ED-307572	4-D5	EI-373980	3-IC312	ET-330225	5-Q301		
ED-307572	4-D6	EI-373980	8-IC314	ET-330225	5-Q302		
ED-307572	4-D7	EI-723343J	1-29	ET-330225	5-Q303		
ED-307572	4-D13	EI-723343J	6-X101	ET-330225	5-Q304		
ED-307572	4-D14	EI-730389J	1-19	ET-337759	1-38		
ED-307572	4-D15	EI-730389J	4-IC2	ET-337759	4-Q12		
ED-307572	4-D16	EJ-352118	13-3	ET-355556	1-37		
ED-307572	4-D18	EJ-357090	12-HP-J6	ET-355556	4-Q1		
ED-307572	4-D302	EJ-722929T	12-2	ET-360695	1-46		
ED-307572	4-D303	EJ-730371J	3-SP-J2	ET-360695	3-Q401		
ED-307572	5-D301	EJ-730386J	4-AT-J3	ET-363326	1-36		
ED-307572	6-D101	EJ-730387J	4-P-J4	ET-363326	4-Q4		
ED-307572	6-D102	EJ-730388J	4-P-J5	ET-366365	1-41		
ED-307572	6-D103	EJ-730401J	12-SP-J1	ET-366365	3-Q312		
ED-307572	6-D105	EL-730399J	1-30	ET-366581	1-47		
ED-307572	6-D107	EL-730399J	6-PL	ET-366581	3-Q311		
ED-307572	7-D111	EM-730398J	1-31	ET-366581	4-Q17		
ED-307572	7-D112	EM-730398J	6-LCD	ET-366581	4-Q18		
ED-307572	7-D113	EO-337523	4-L7	ET-372102	1-45		
ED-307572	7-D114	EO-337523	4-L8	ET-372102	4-Q20		
ED-308860	1-9	EO-345913	6-L101	ET-389251J	1-42		
ED-308860	3-D317	EO-730373J	4-T1	ET-389251J	4-Q6		
ED-308860	3-D318	EO-730374J	4-T2	ET-389251J	4-Q7		
ED-308860	3-D320	EO-730375J	4-T3	ET-389251J	4-Q8		
ED-318434	1-10	EO-730376J	4-T4	ET-389251J	4-Q9		
ED-318434	3-D312	EO-730377J	4-L9	ET-389251J	4-Q10		
ED-318434	3-D313	EO-730378J	4-L10	ET-389251J	4-Q11		
ED-381066J	1-8	EO-730379J	4-L11	ET-389251J	4-Q13		
ED-381066J	4-D10	EO-730380J	4-L12	ET-389251J	4-Q15		
ED-704547	1-5	ER-200746	4-R301	ET-389251J	4-Q21		
ED-704547	3-D314	ER-200746	4-R302	ET-389251J	4-Q22		
ED-707404	1-12	ER-200746	5-R310	ET-389251J	6-Q101		
ED-707404	4-D8	ER-200746	5-R313	ET-730391J	1-44		
ED-708797	1-11	ER-302241	3-R333	ET-730391J	4-Q2		
ED-708797	4-D9	ER-307245	3-R420	ET-730391J	4-Q3		
ED-722346J	1-7	ER-311685	3-R419	ET-730391J	4-Q5		
ED-722346J	4-D11	ER-318248	3-R332	ET-730392J	1-39		
ED-722346J	4-D12	ER-318647	4-R84	ET-730392J	4-Q19		
ED-730394J	1-3	ER-322591	3-R334	EV-730382J	4-VR1		
ED-730394J	7-LD111	ER-328278	3-R340	EV-730383J	4-VR3		
ED-730394J	7-LD112	ER-328278	3-R343	EV-730384J	4-VR2		
ED-730394J	7-LD113	ER-328278	4-R81	EV-730385J	4-VR4		
ED-730394J	7-LD114	ER-333616	5-R312	EV-730390J	1-48		
ED-730394J	7-LD115	ER-333616	5-R314	EV-730390J	4-D1		
ED-730394J	7-LD116	ER-333663	5-R311	EV-730390J	4-D2		
ED-730405J	1-6	ER-341940	3-R418	EV-730390J	4-D3		
ED-730405J	3-D319	ES-337902	1-34	EV-730402J	1-49		
EE-315329	13-2	ES-337902	9-S304	EV-730402J	8-VR303		
EE-730354J	13-1	ES-730370J	1-32	EV-730402J	8-VR304		
EF-358641	1-15	ES-730370J	3-SW301	EV-730403J	1-50		
EF-358641	3-F301	ES-730395J	1-35	EV-730403J	11-VR301		
EF-359007	1-13	ES-730395J	7-S111	EV-730404J	1-51		
EF-359007	9-F302	ES-730395J	7-S112	EV-730404J	11-VR302		
EF-359086	1-14	ES-730395J	7-S113	EW-347897	12-3A		
EF-359086	3-F401	ES-730395J	7-S114	EW-347898	12-3B		
EH-367900	1-16	ES-730395J	7-S115	EW-347899	12-3C		
EH-367900	4-CF1	ES-730395J	7-S116	EZ-371605	12-5		
EH-719331	1-18	ES-730395J	7-S117	MZ-730366J	12-20		
EH-719331	4-CF3	ES-730395J	7-S118	SA-730349J	12-24		
EH-723977J	1-17	ES-730395J	7-S119	SA-730367J	12-21		
EH-723977J	4-CF2	ES-730395J	7-S120	SA-730368J	12-22		

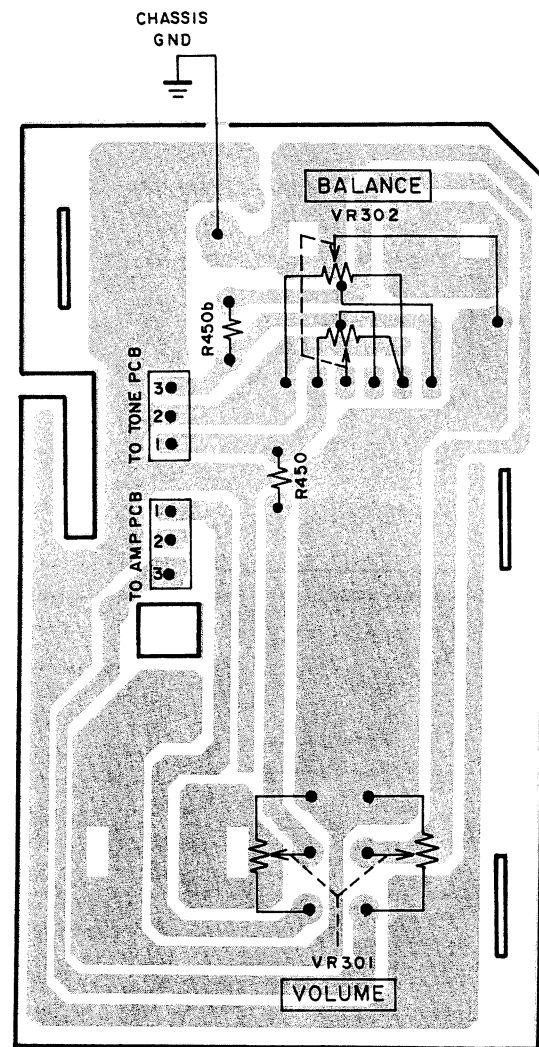
# AKAI

## MODEL AA-V25L

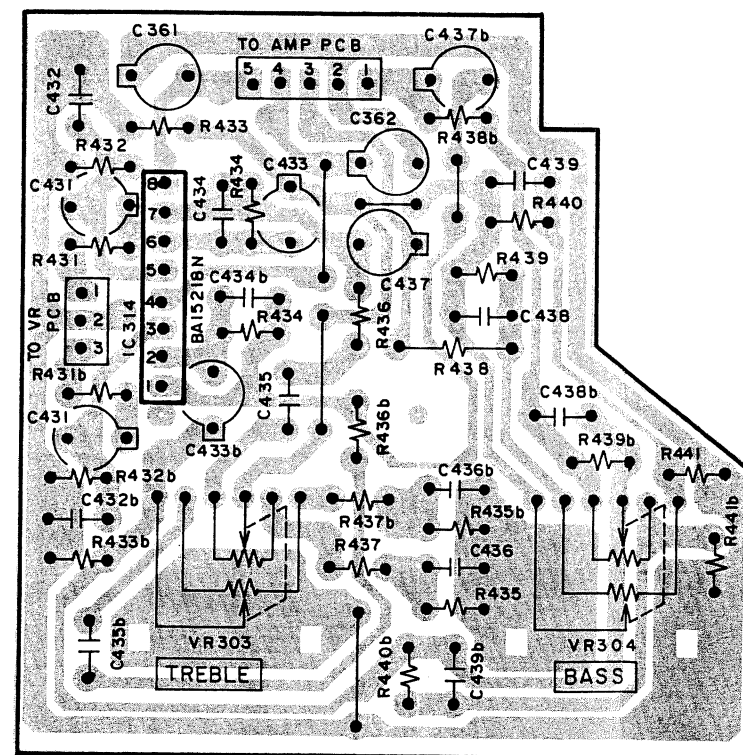
### SCHEMATIC DIAGRAMS AND PC BOARDS

#### TABLE OF CONTENTS

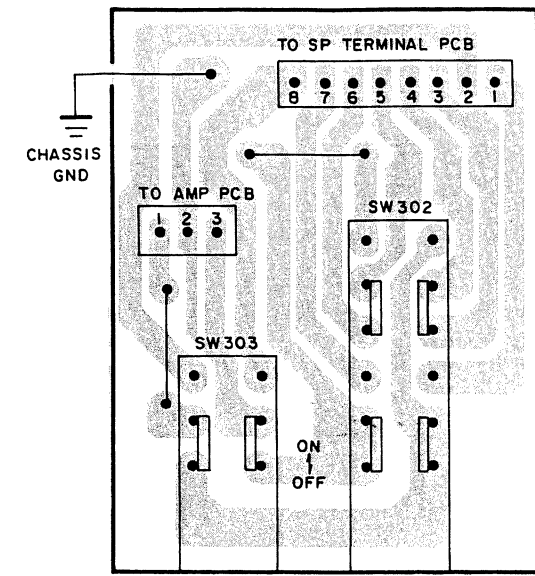
1. TONE AND OTHER PC BOARDS .....	3
2. DISPLAY AND OTHER PC BOARDS .....	4
3. CONNECTION DIAGRAM .....	5
4. TUNER & SUB SCHEMATIC DIAGRAM .....	6
5. TUNER & SUB PC BOARD .....	7
6. AMP & POWER SW SCHEMATIC DIAGRAM .....	8
7. AMP AND OTHER PC BOARDS .....	9
8. BLOCK DIAGRAM .....	10



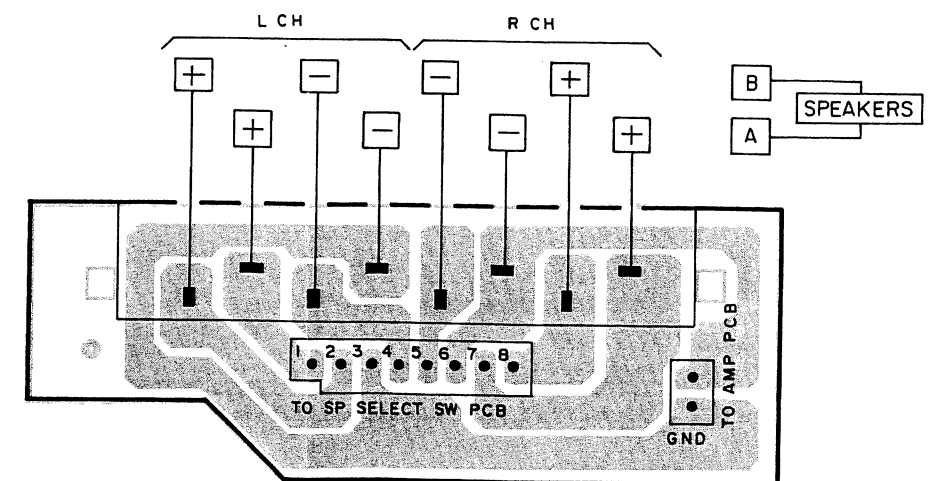
VR PCB 1403-500-0-97



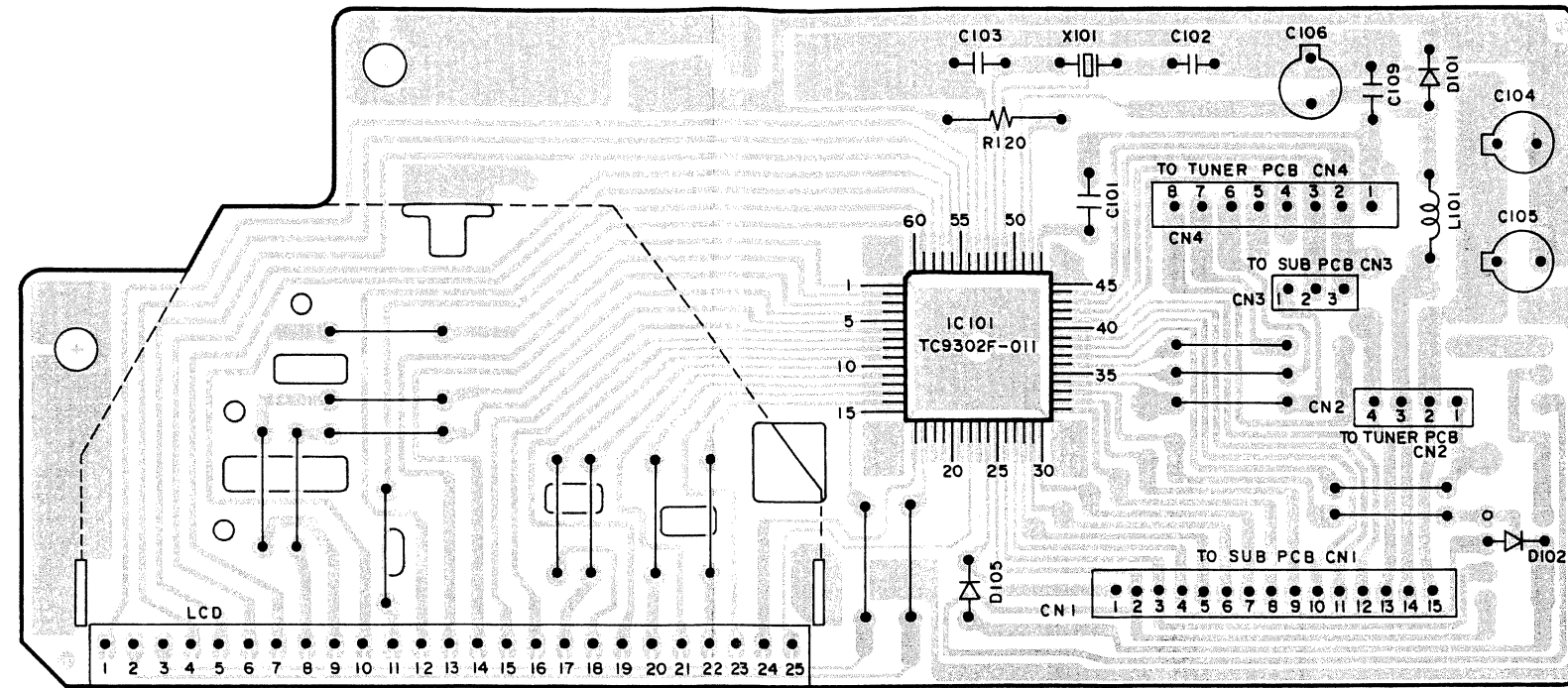
TONE PCB 1403-500-0-96



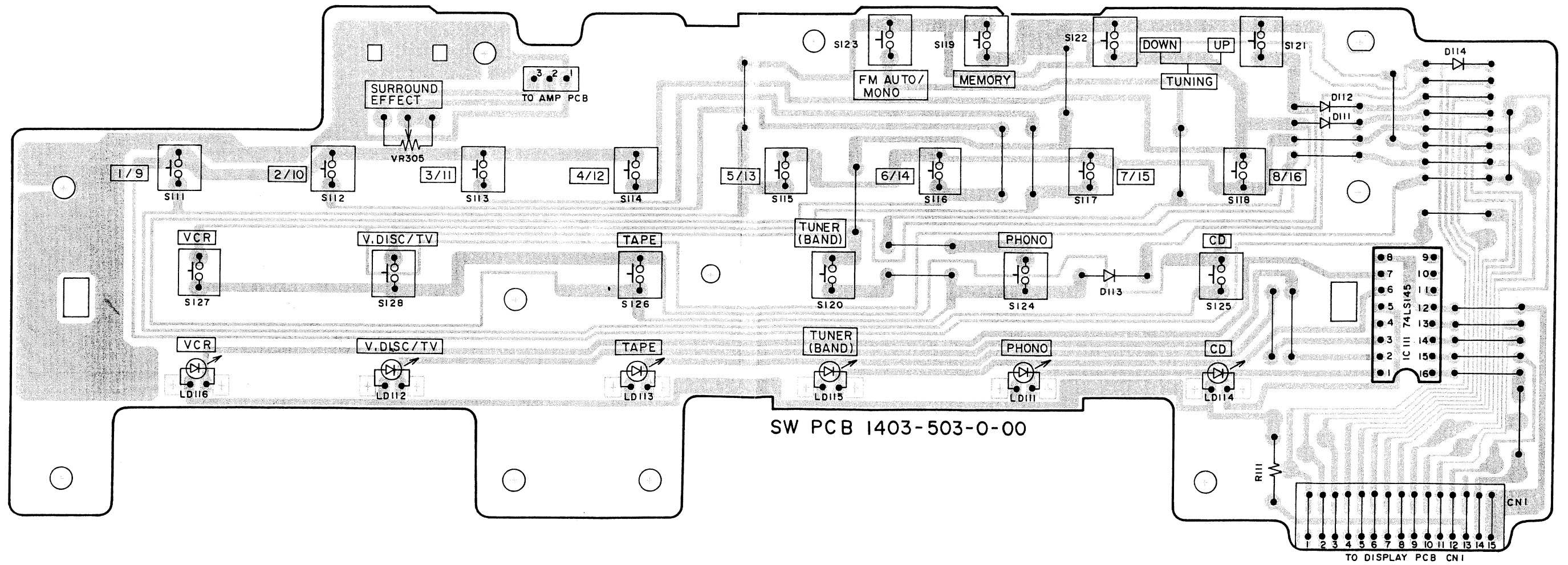
SP SELECT PCB  
1403-500-0-95



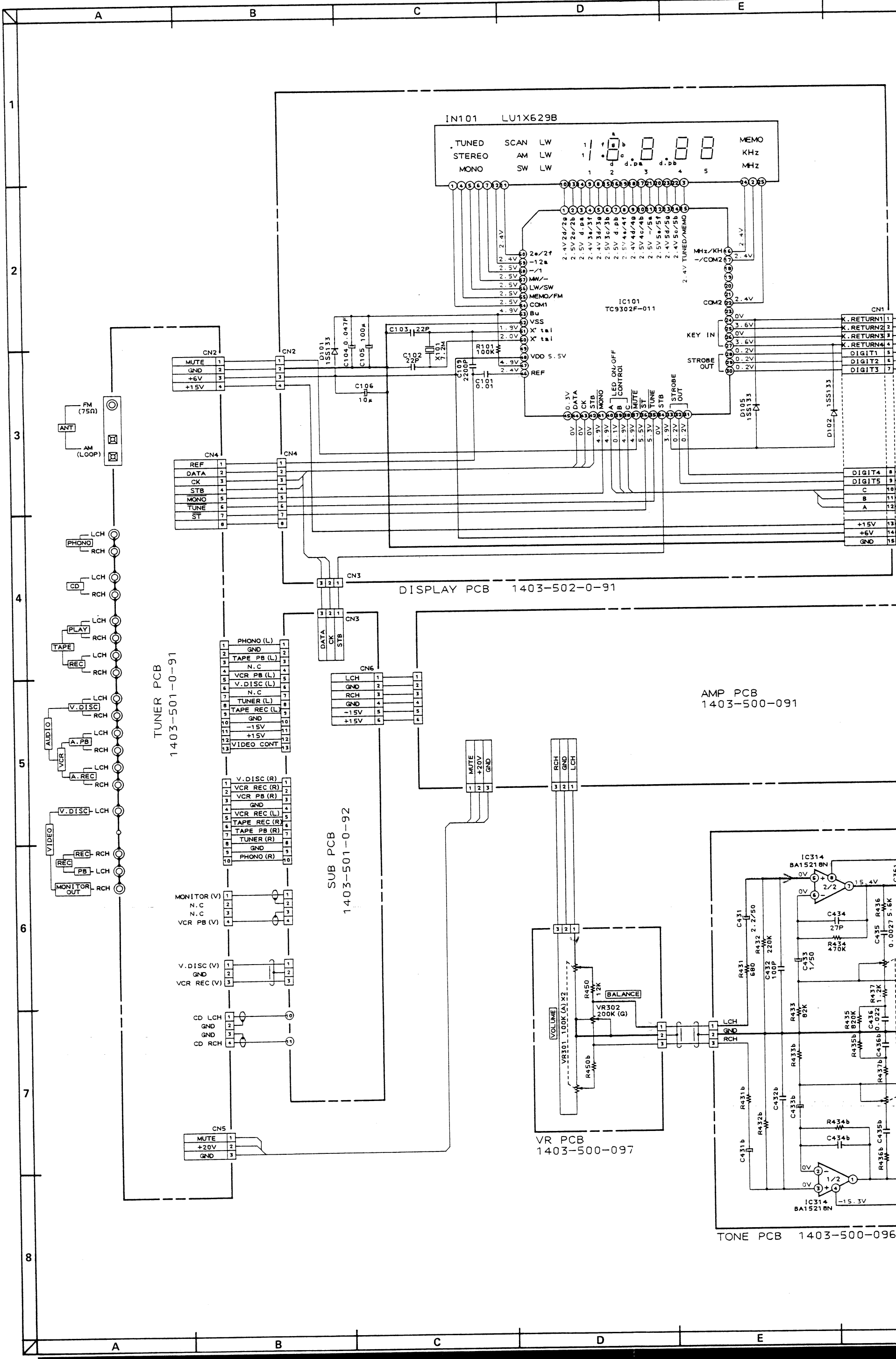
SP TERMINAL PCB 1403-500-0-93



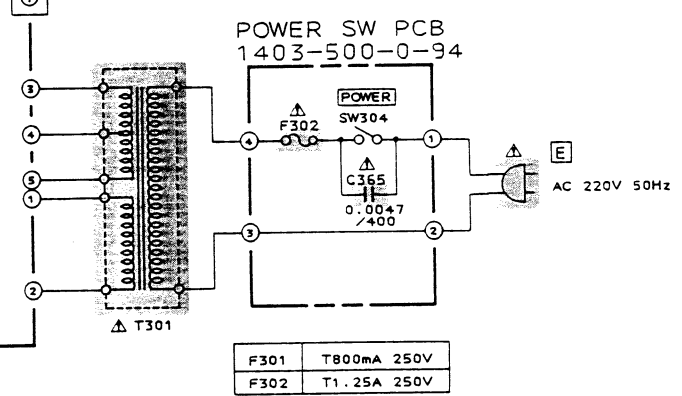
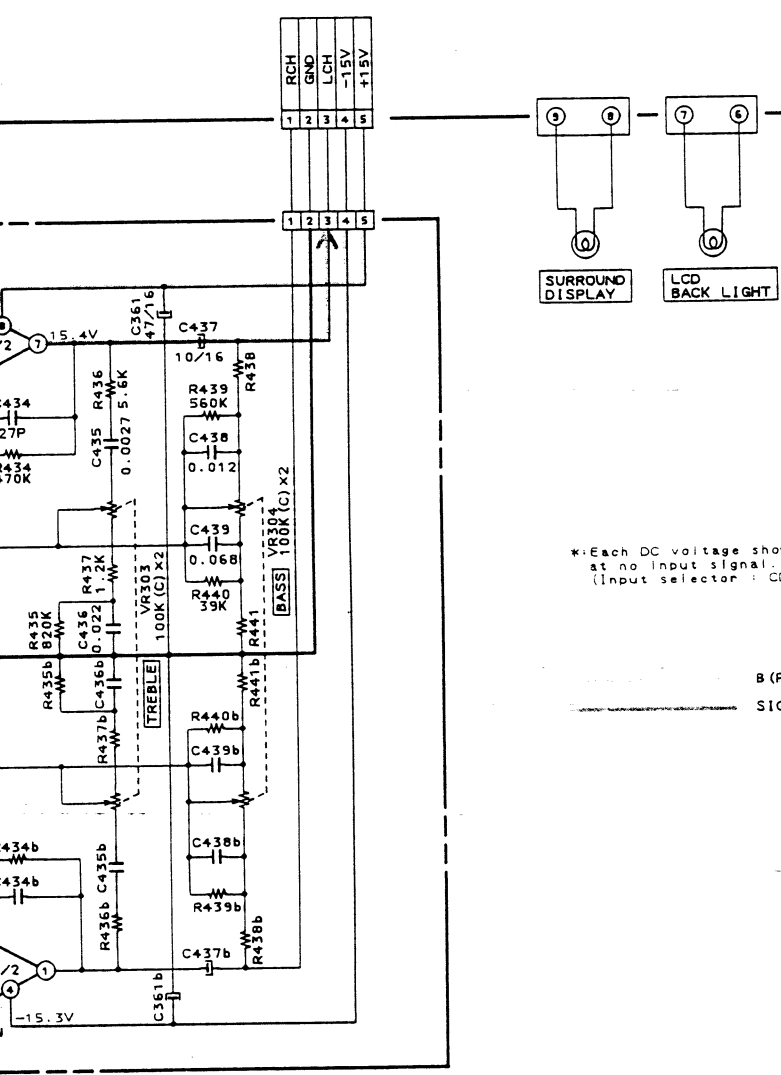
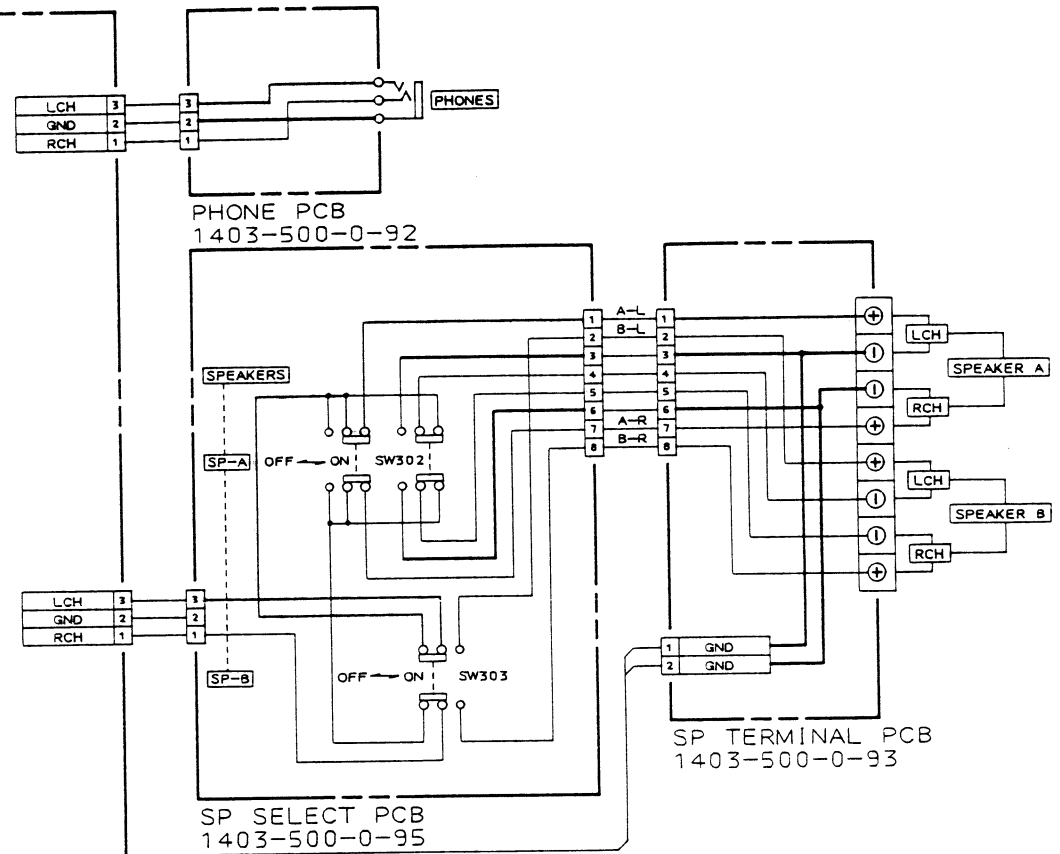
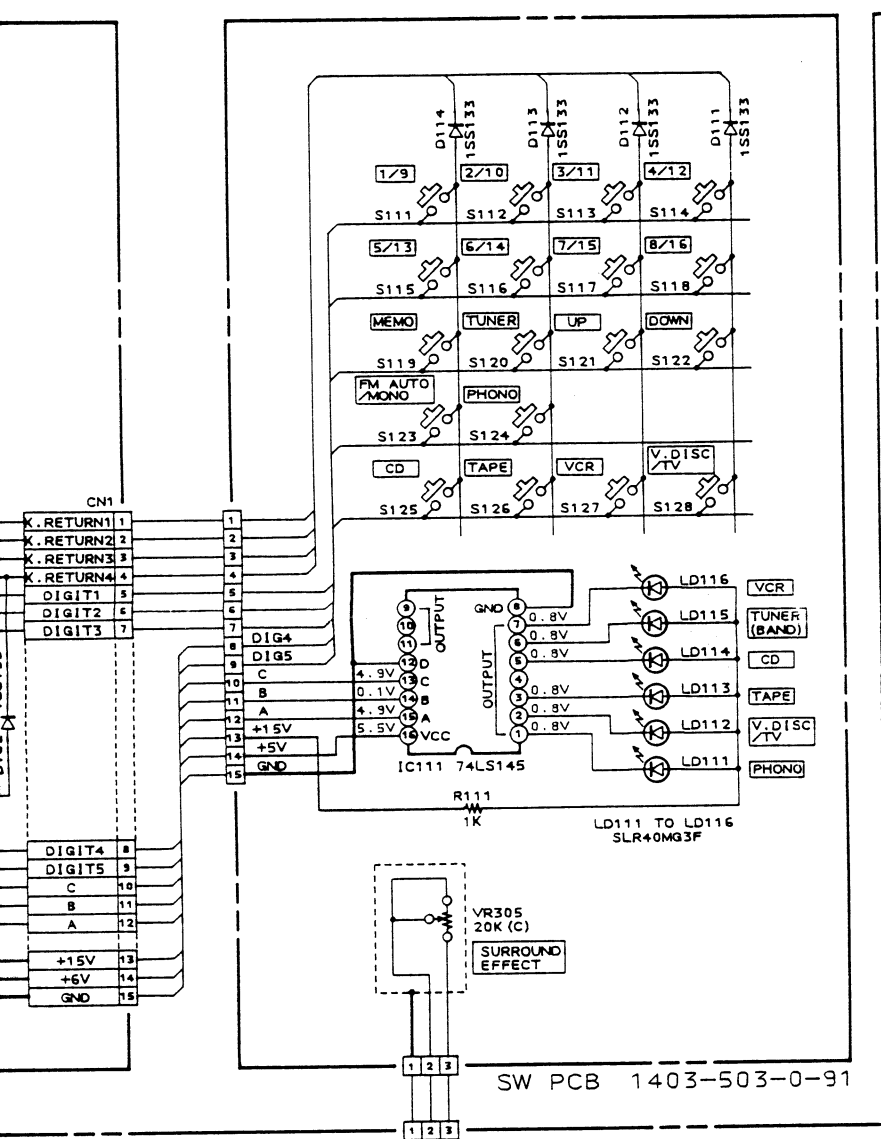
DISPLAY PCB 1403-502-0-91



SW PCB 1403-503-0-00







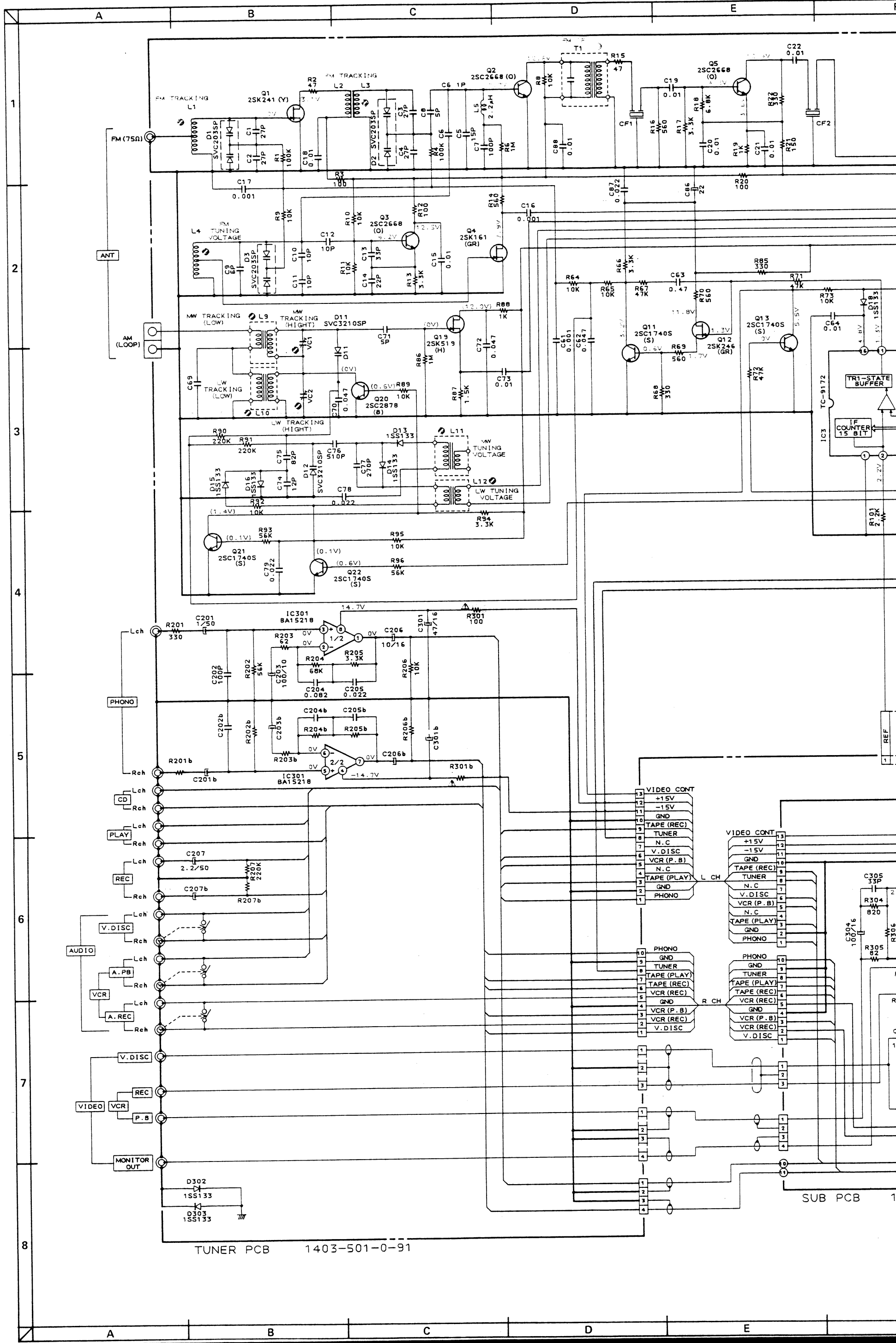
\*Each DC voltage shows the value in volts at no input signal. (Input selector: CD position)

B (POWER SUPPLY) LINE  
 \_\_\_\_\_ SIGNAL LINE

WARNING: ⚠ AND ⚡ INDICATE SAFETY CRITICAL COMPONENTS FOR CONTINUED SAFETY. REPLACE SAFETY CRITICAL COMPONENTS ONLY WITH MANUFACTURER'S RECOMMENDED PARTS  
 AVERTISSEMENT: ⚠ ET ⚡ ILS INDIQUENT LES COMPOSANTS CRITIQUES DE SÉCURITÉ. POUR MAINTENIR LE DEGRÉ DE SÉCURITÉ DE L'APPAREIL, NE REMPLACER QUE DES PIÈCES RECOMMANDÉES PAR LE FABRICANT

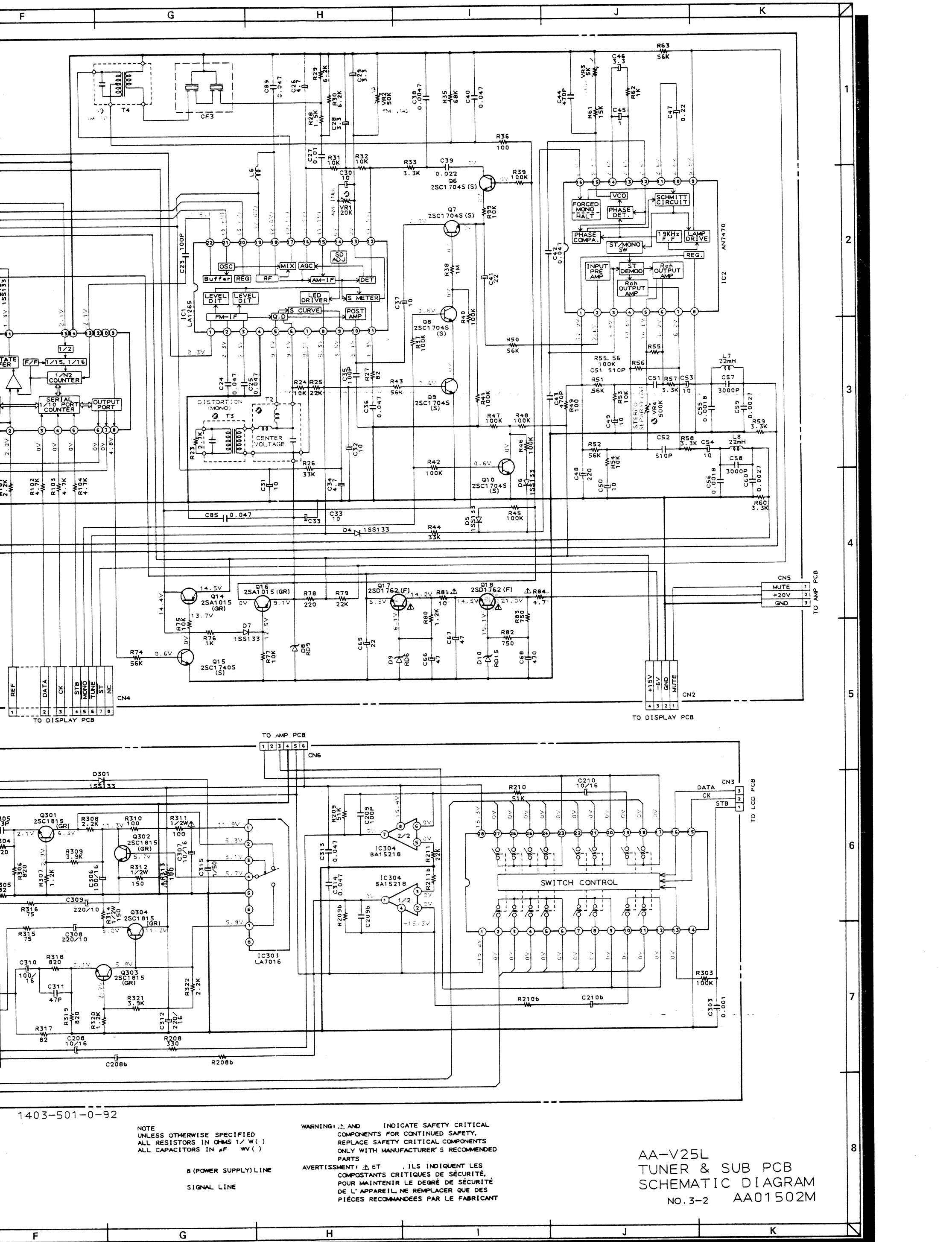
AA-V25L  
 CONNECTION DIAGRAM  
 NO. 3-1 AA01501M





TUNER PCB 1403-501-0-91

SUB PCB 1



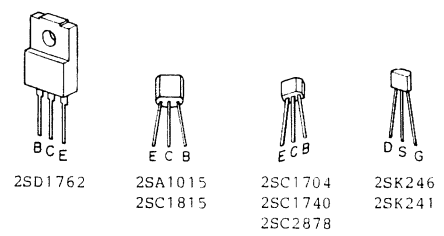
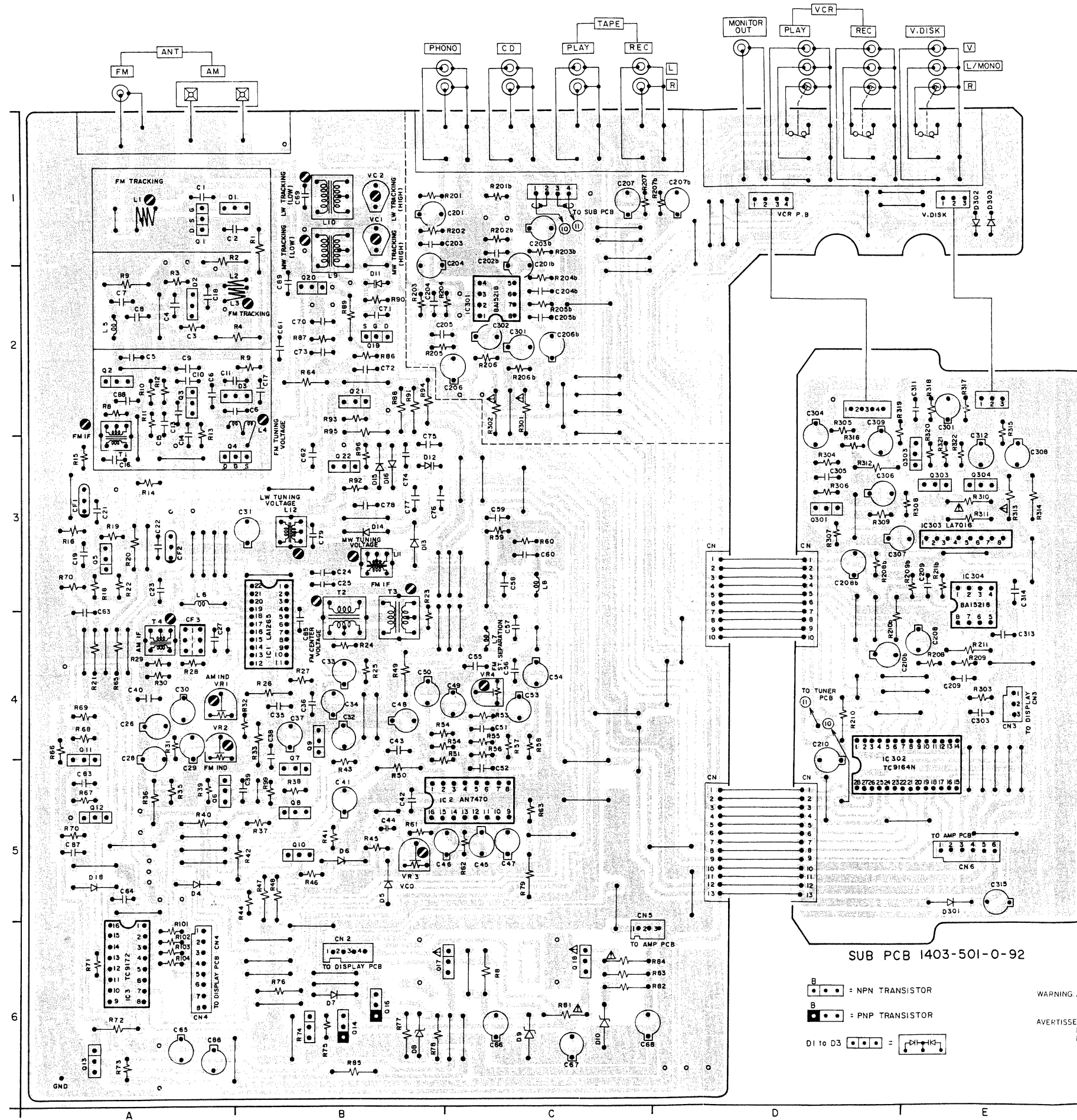
1403-501-0-92

NOTE  
UNLESS OTHERWISE SPECIFIED  
ALL RESISTORS IN OHMS 1/W ( )  
ALL CAPACITORS IN pF W ( )

B (POWER SUPPLY) LINE  
SIGNAL LINE

WARNING: ⚠ AND ⚡ INDICATE SAFETY CRITICAL COMPONENTS FOR CONTINUED SAFETY. REPLACE SAFETY CRITICAL COMPONENTS ONLY WITH MANUFACTURER'S RECOMMENDED PARTS  
AVERTISSEMENT: ⚠ ET ⚡ ILS INDIQUENT LES COMPOSANTS CRITIQUES DE SÉCURITÉ. POUR MAINTENIR LE DEGRÉ DE SÉCURITÉ DE L'APPAREIL, NE REMPLACER QUE DES PIÈCES RECOMMANDÉES PAR LE FABRICANT

AA-V25L  
TUNER & SUB PCB  
SCHEMATIC DIAGRAM  
NO. 3-2 AA01502M



- 2SD1762
- 2SA1015
- 2SC1815
- 2SC1704
- 2SC1740
- 2SC2878
- 2SK246
- 2SK241

- LOCATION OF COMPONENT
- IC1.....B4  
 IC2.....C5  
 IC3.....A6  
 IC301.....C2  
 IC302.....D.E4  
 IC303.....E3
- TRANSISTORS
- Q1.....A1  
 Q2.....A2  
 Q3.....A2  
 Q4.....A3  
 Q5.....A3  
 Q6.....A5  
 Q7.....B5  
 Q8.....B5  
 Q9.....B4  
 Q10.....B5  
 Q11.....A4.5  
 Q12.....A5  
 Q13.....A6  
 Q14.....B6  
 Q15.....B6  
 Q17.....C6  
 Q18.....C6  
 Q19.....B2  
 Q20.....B2  
 Q21.....B2  
 Q22.....B3

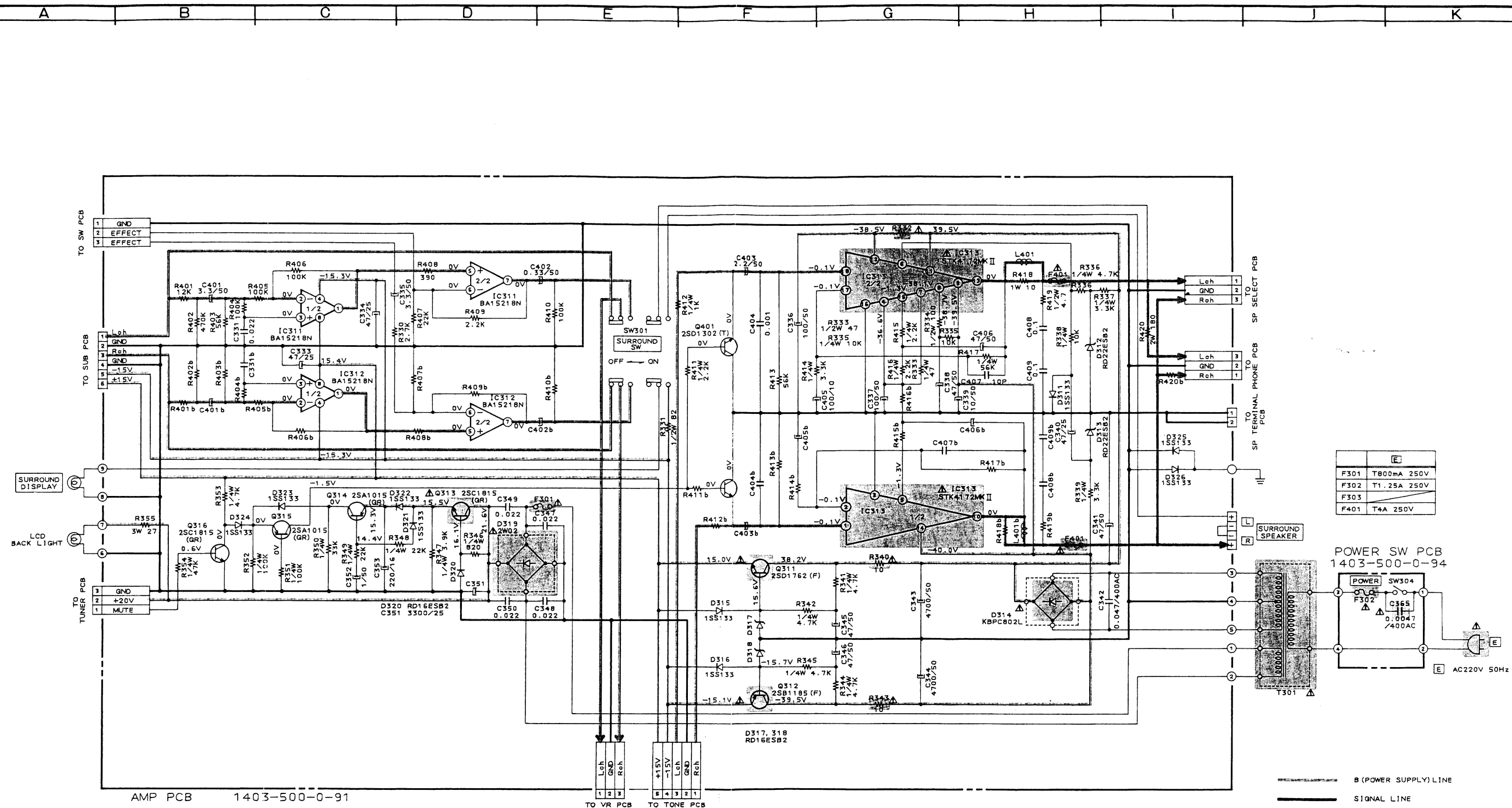
- = NPN TRANSISTOR
- = PNP TRANSISTOR
- = DI 10 D3

WARNING INDICATES SAFETY CRITICAL COMPONENTS FOR CONTINUED SAFETY. REPLACE SAFETY CRITICAL COMPONENTS ONLY WITH MANUFACTURER'S RECOMMENDED PARTS.

AVERTISSEMENT INDIQUE LES COMPOSANTS CRITIQUES DE SECURITE POUR MAINTENIR LE DEGRE DE SECURITE DE L'APPAREIL. NE REMPLACER QUE DES PIECES RECOMMANDEES PAR LE FABRICANT.

TUNER PCB 1403-501-0-91

SUB PCB 1403-501-0-92



NOTE  
UNLESS OTHERWISE SPECIFIED,  
ALL RESISTORS IN OHMS 1/5W (J)  
ALL CAPACITORS IN uF 50WV (J)

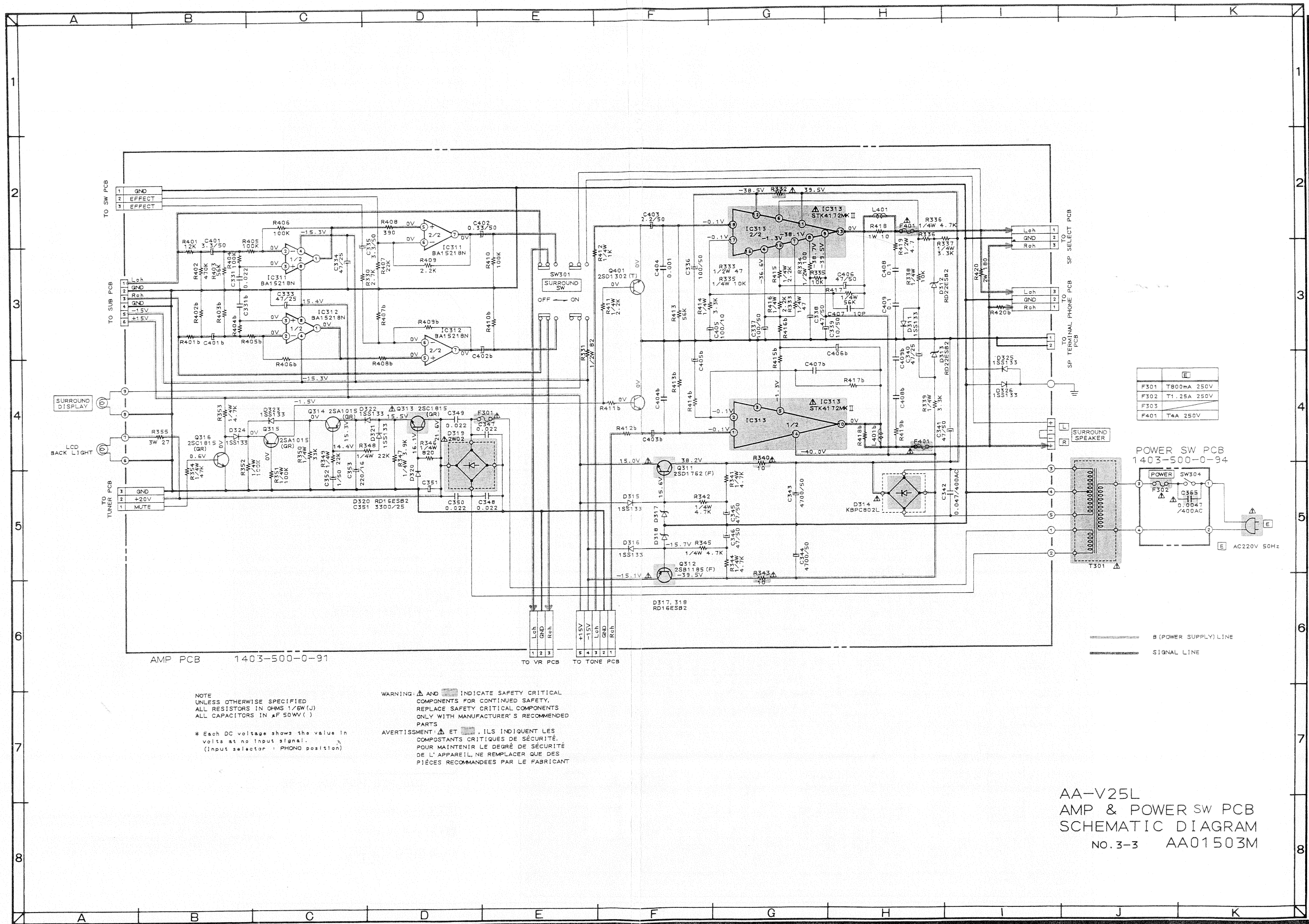
\* Each DC voltage shows the value in  
volts at no input signal. (Input selector: PHONO position)

WARNING: Δ AND □ INDICATE SAFETY CRITICAL  
COMPONENTS FOR CONTINUED SAFETY.  
REPLACE SAFETY CRITICAL COMPONENTS  
ONLY WITH MANUFACTURER'S RECOMMENDED  
PARTS

AVERTISSEMENT: Δ ET □ ILS INDICENT LES  
COMPOSTANTS CRITIQUES DE SÉCURITÉ.  
POUR MAINTENIR LE DEGRÉ DE SÉCURITÉ  
DE L'APPAREIL, NE REMPLACER QUE DES  
PIÈCES RECOMMANDÉES PAR LE FABRICANT

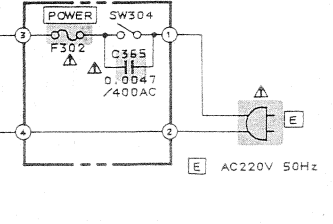
AA-V25L  
AMP & POWER SW PCB  
SCHEMATIC DIAGRAM  
NO. 3-3 AA01503M





E	
F301	T800mA 250V
F302	T1.25A 250V
F303	
F401	T4A 250V

POWER SW PCB  
1403-500-0-94

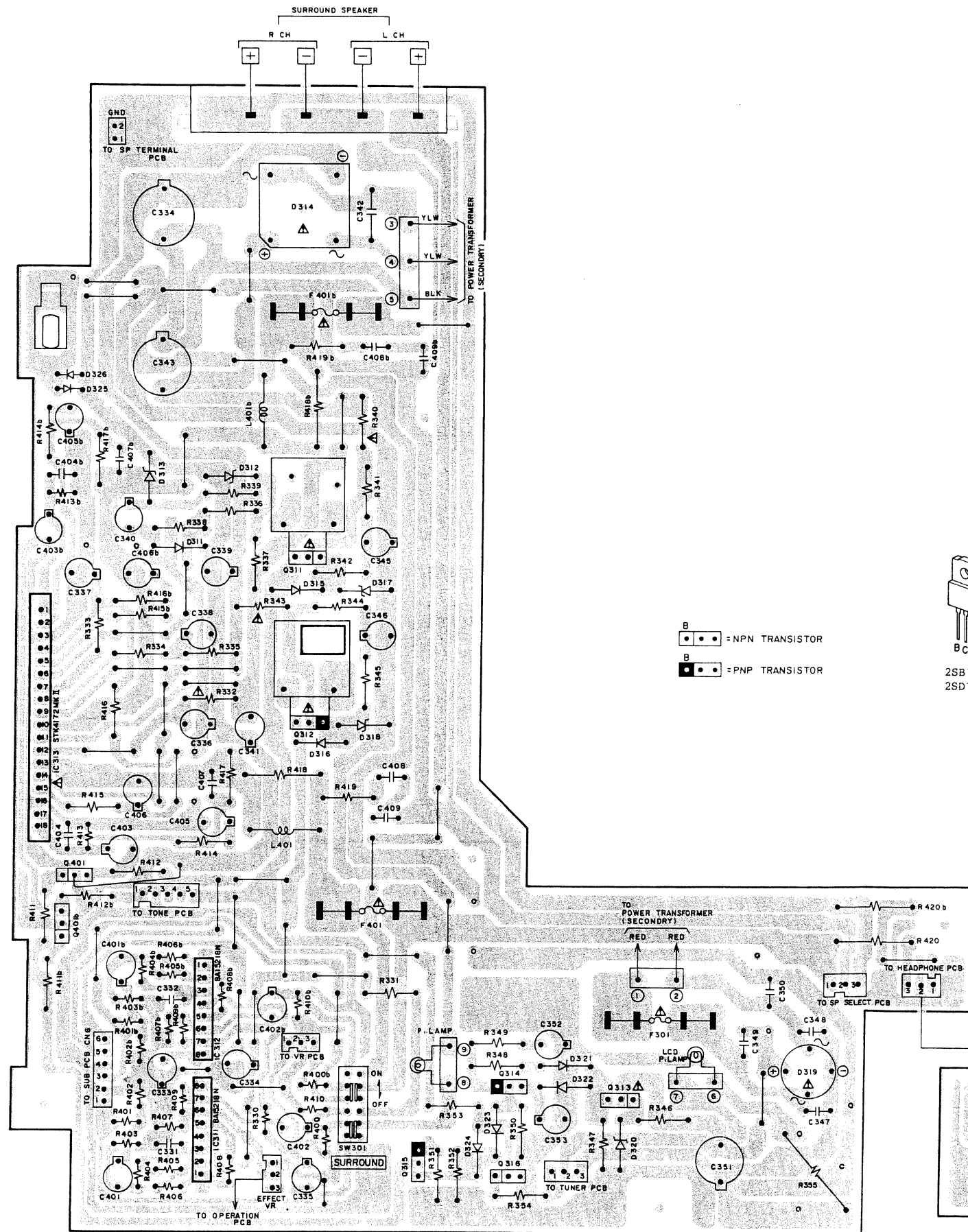


AMP PCB 1403-500-0-91

NOTE  
UNLESS OTHERWISE SPECIFIED  
ALL RESISTORS IN OHMS 1/6W(J)  
ALL CAPACITORS IN μF 50WV( )  
  
\* Each DC voltage shows the value in  
volts at no input signal.  
(input selector : PHONO position)

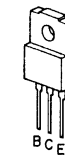
WARNING: ⚠ AND ⚡ INDICATE SAFETY CRITICAL  
COMPONENTS FOR CONTINUED SAFETY.  
REPLACE SAFETY CRITICAL COMPONENTS  
ONLY WITH MANUFACTURER'S RECOMMENDED  
PARTS  
  
AVERTISSEMENT: ⚠ ET ⚡ ILS INDIQUENT LES  
COMPOSANTS CRITIQUES DE SÉCURITÉ.  
POUR MAINTENIR LE DEGRÉ DE SÉCURITÉ  
DE L'APPAREIL, NE REMPLACER QUE DES  
PIÈCES RECOMMANDÉES PAR LE FABRICANT

AA-V25L  
AMP & POWER SW PCB  
SCHEMATIC DIAGRAM  
NO. 3-3 AA01503M



AMP PCB 1403-500-0-91

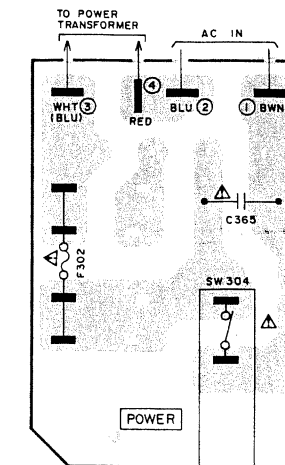
= NPN TRANSISTOR  
 = PNP TRANSISTOR



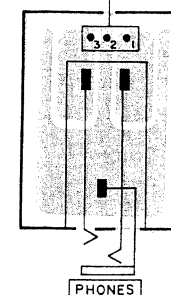
2SB1185  
2SD1762



2SA1015  
2SC1815  
2SD1302

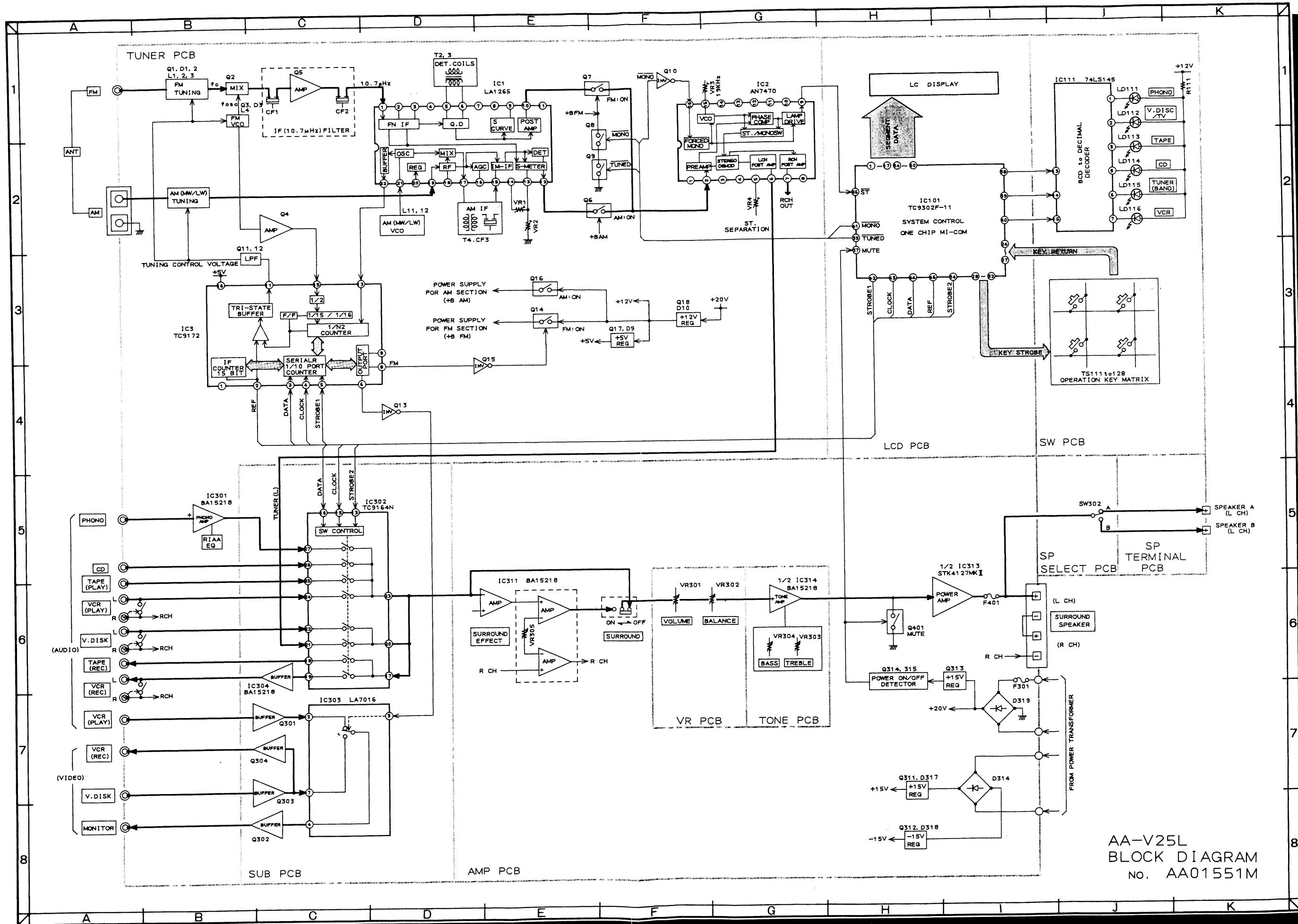


POWER SW PCB  
1403-500-0-94



PHONE PCB  
1403-500-0-92

WARNING: INDICATES SAFETY CRITICAL COMPONENTS. FOR CONTINUED SAFETY, REPLACE SAFETY CRITICAL COMPONENTS ONLY WITH MANUFACTURER'S RECOMMENDED PARTS.  
 AVERTISSEMENT: INDIQUE LES COMPOSANTS CRITIQUES DE SÉCURITÉ. POUR MAINTENIR LE DEGRÉ DE SÉCURITÉ DE L'APPAREIL, NE REMPLACER QUE DES PIÈCES RECOMMANDÉES PAR LE FABRICANT.



AA-V25L  
BLOCK DIAGRAM  
No. AA01551M

## ABBREVIATIONS FOR SERVICE MANUAL

ABBREVIATION	EXPLANATION	ABBREVIATION	EXPLANATION
AFC	Auto Frequency Control	MEMO	MEMOry
AGC	Auto Gain Control	MI-COM	Micro-COMputer
ALC	Auto Level Control	MIN	MINimum
AM	Amplitude Modulation	MIX	MIXing
AMP	AMPlifier	MPX	MultiPleX
ANT	ANTenna	MW	Medium Wave (frequency)
BATT	BATTery	NC	No Connection
BLK	BLocK	NFB	Negative Feed Back
BUFF	BUFFer	OSC	OSCillator
COMP	COMParator	PCB	Printed Circuit Board
DET	DETECT (DETECTOR)	PLL	Phase Locked Board
FLD		QD	Quadrature Detector
FM	Frequency Modulation	Rch	Right channel
FREQ	FREQUENCY	REF	REFerence
GND	GrouND	REG	REGulator
H	High	RF	Radio Frequency
HPF	High Pass Filter	SEG	SEGment
IF	Intermediate Frequency	SELE	SELEctor
IHF	Institute of High Fidelity	SENS	SENSitivity
IND	INDicator	SIG	SIGnal
I/O	In/Out	S/N	Signal to Noise Ratio
JW	Jumper Wire	SSG	Standard Signal Generator
L	Low	STD	STanDard
LCD	Liquid Crystal Display	SW	SWitch: Short Wave (frequency)
Lch	Left channel	THD	Total Harmonic Distortion
LED	Light Emitting Diode	TP	Test Point
LPF	Low Pass Filter	VCO	Voltage Controlled Oscillator
LW	Long Wave (Frequency)	VR	Variable Resistor
		X'TAL	Crystal

## AKAI ELECTRIC CO., LTD.

12-14, 2-Chome, Higashi-Kojiya, Ohta-ku, Tokyo, Japan  
 SERVICE DEPARTMENT TEL: Tokyo(745)9884 TOKYO TELEX: J26261

Printed No. 890710-A1-1100      Printed Date August 10, 1989

350 Printed in Japan