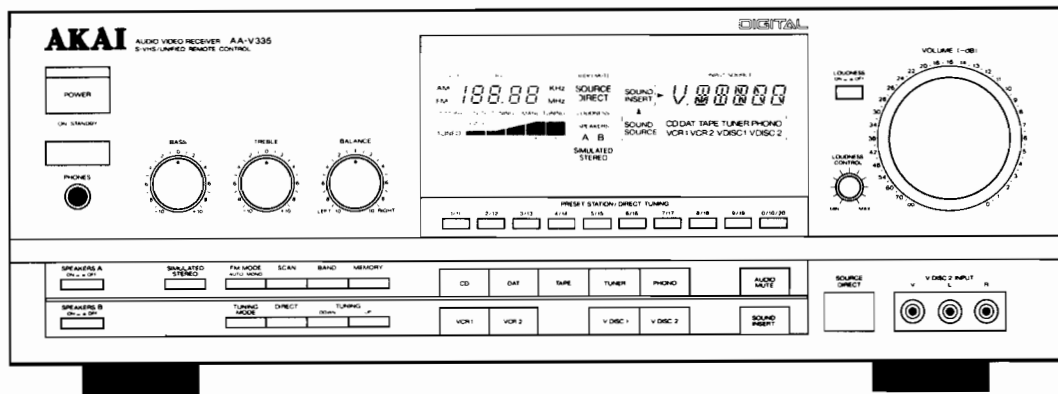
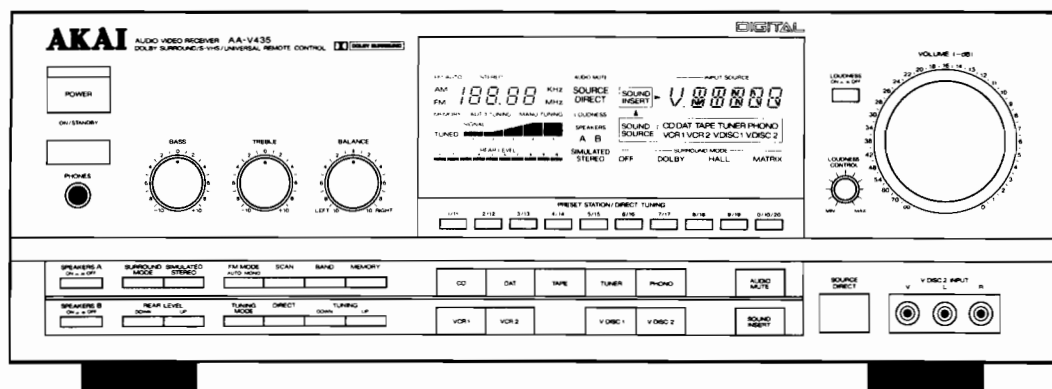


AKAI SERVICE MANUAL



model AA-V335



model AA-V435

AUDIO VIDEO RECEIVER

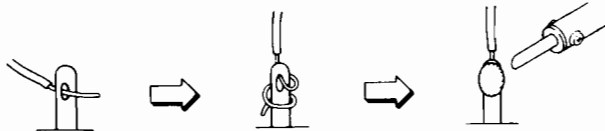
MODEL **AA-V335**

MODEL **AA-V435**

★ SAFETY INSTRUCTIONS

PRECAUTIONS DURING SERVICING

1. Parts identified by the Δ (*) symbol parts are critical for safety. Replace only with parts number specified.
2. In addition to safety, other parts and assemblies are specified for conformance with such regulations as those applying to spurious radiation.
These must also be replaced only with specified replacements.
Examples: RF converters, tuner units, antenna selectswitches, RF cables, noise blocking capacitors, noise blocking filters, etc.
3. Use specified internal wiring. Note especially:
 - 1) Wires covered with PVC tubing
 - 2) Double insulated wires
 - 3) High voltage leads
4. Use specified insulating materials for hazardous live parts. Note especially:
 - 1) Insulation Tape
 - 2) PVC tubing
 - 3) Spacers (Insulating Barriers)
 - 4) Insulation sheets for transistors
 - 5) Plastic screws for fixing microswitch (especially in turntable)
5. When replacing AC primary side components (transformers, power cords, noise blocking capacitors, etc.), wrap ends of wires securely about the terminals before soldering.



6. Observe that wires do not contact heat producing parts (heatsinks, oxide metal film resistors, fusible resistors, etc.).

7. Check that replaced wires do not contact sharp edged or pointed parts.
8. Also check areas surrounding repaired locations.
9. Use care that foreign objects (screws, solder droplets, etc.) do not remain inside the set.

SAFETY CHECK AFTER SERVICING

After servicing, make measurements of leakage-current or resistance in order to determine that exposed parts are acceptably insulated from the supply circuit.

The leakage-current measurement should be done between accessible metal parts (such as chassis, ground terminal, microphone jacks, signal-input/output connectors, etc.) and the earth ground through a resistor of 1500 ohms paralleled with a 0.15 μ F capacitor, under the unit's normal working conditions. The leakage-current should be less than 0.5 mA rms AC.

The resistance measurement should be done between accessible exposed metal parts and power cord plug prongs with the power switch (if included) "ON". The resistance should be more than 2.2 Mohms.

★ INFORMATION

SYMBOLS FOR PRIMARY DESTINATION

Alphabet indicates the destination of the units as listed below.

Symbols	Principal Destinations
A	USA
B	UK
C	Canada
E	Europe (except UK)
J	Japan
S	Australia
V	W. Germany only
U	Universal Area
Y*	Custom version

I. SPECIFICATIONS

1-1. Model AA-V335

Amplifier section	
Power output (per channel) by FTC (20Hz to 20kHz).....	100W (8 ohms, 0.05%)
Music power output	165W (8 ohms)/330W (4 ohms)/660W (2 ohms)
Power bandwidth.....	10Hz to 60kHz/0.3%
Total harmonic distortion.....	0.03% (8 ohms, 1kHz)
Phono max. input level	135mV (MM)
Frequency response	5Hz to 100kHz (+0dB, -4dB)
Tone control	
Treble	±8dB (10kHz)
Bass	±8dB (100Hz)
Input sensitivity/Impedance	
Phono (MM)	2.0mV/47k ohms
CD, Tape, etc.	150mV/47k ohms
V.Disc/VCR (Audio).....	150mV/47k ohms
V.Disc/VCR (Video)	1Vp-p/75 ohms
Output level/Impedance	
Tape rec out.....	150mV/1k ohms
VCR (Audio).....	150mV/1k ohms
Monitor/VCR (Video)	1Vp-p/75 ohms
Damping factor	28.7 (8 ohms, 1kHz)
Residual noise.....	0.5mV (8 ohms)
S/N	
Phono (MM)	70dB
CD, Tape.....	90dB (Source direct)
Channel separation (IHF).....	60dB (1kHz)
Required speaker impedance	
A or B.....	8 ohms to 16 ohms
A and B.....	16 ohms
Tuner section	
FM Tuner	
Tuning frequency range	87.5MHz to 108.0MHz
Usable sensitivity.....	11.2dBf
Quieting sensitivity	
(IHF, S/N=50dB)	16.2dBf (Mono)/37.2dBf (Stereo)
Capture ratio	1.5dB
Selectivity (400kHz).....	60dB
Image rejection.....	85dB
IF rejection.....	90dB
Spurious rejection.....	80dB
AM suppression	60dB
S/N (IHF)	75dB (Mono)/65dB (Stereo)
Harmonic distortion.....	0.1% (Mono)/0.3% (Stereo)
Stereo separation (1kHz)	45dB
Frequency response	30Hz to 15kHz (±0.5dB)
AM Tuner	
Tuning frequency range	530kHz to 1,610kHz
Usable sensitivity (AM Loop antenna).....	300µV/m
Selectivity.....	25dB
Image rejection.....	45dB
IF rejection.....	35dB
S/N	40dB
T.H.D.	1.0%
Power requirement.....	120V, 60Hz
Dimensions.....	425(W) × 158(H) × 368(D) mm (16.7 × 6.2 × 14.5 inches)
Weight	11.8kg (26.0 lbs)
Standard accessories	
FM antenna	1
AM loop antenna	1
FM antenna plug	1
Remote control unit (RC-V335)	1
Batteries for remote control unit (UM-3)	2
Operator's manual	1

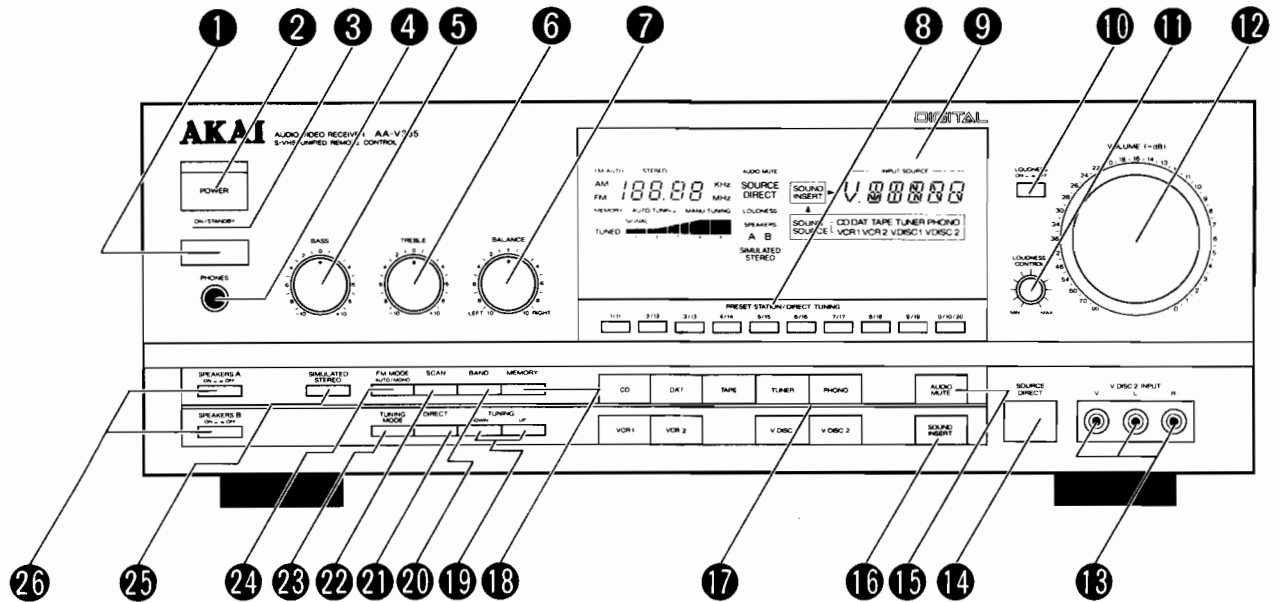
1-2. Model AA-V435

Amplifier section	
Power output (per channel) FTC (20Hz to 20kHz)....	125W (8 ohms, 0.05%)
Rear power output	15W (L+R)
Dynamic power output.....	160W (8 ohms)/200W (6 ohms)/220W (4 ohms), 300W (2 ohms)
Power bandwidth	10Hz to 60kHz/0.3%
Total harmonic distortion....	0.03% (8 ohms, 1kHz)
Phono max. input level.....	135mV (MM)
Frequency response.....	5Hz to 100kHz (+0dB, -4dB)
Tone control	
Treble	±8dB (10kHz)
Bass	±8dB (100Hz)
Input sensitivity/Impedance	
Phono (MM).....	2.0mV/47k ohms
CD, Tape, etc.	150mV/47k ohms
V.Disc/VCR (Audio)	150mV/47k ohms
V.Disc/VCR (Video).....	1Vp-p/75 ohms
Output level/Impedance	
Tape rec out.....	150mV/1k ohms
VCR (Audio).....	150mV/1k ohms
Monitor/VCR (Video).....	1Vp-p/75 ohms
Damping factor.....	28.7 (8 ohms, 1kHz)
Residual noise	0.5mV (8 ohms)
S/N	
Phono (MM).....	70dB
CD, Tape	90dB (Source direct)
Channel separation (IHF).....	60dB (1kHz)
Required speaker impedance	
A or B.....	8 ohms to 16 ohms
A and B.....	16 ohms
Tuner section	
FM Tuner	
Tuning frequency range.....	87.5MHz to 108.0MHz
Usable sensitivity	11.2dBf
Quieting sensitivity	
(IHF, S/N=50dB).....	16.2dBf (Mono)/37.2dBf (Stereo)
Capture ratio.....	1.5dB
Selectivity (400kHz).....	60dB
Image rejection.....	85dB
IF rejection.....	90dB
Spurious rejection.....	80dB
AM suppression.....	60dB
S/N (IHF).....	75dB (Mono)/65dB (Stereo)
Harmonic distortion	0.1% (Mono)/0.3% (Stereo)
Stereo separation (1kHz).....	45dB
Frequency response.....	30Hz to 15kHz (±0.5dB)
AM Tuner	
Tuning frequency range.....	530kHz to 1,610kHz
Usable sensitivity (AM Loop antenna).....	300µV/m
Selectivity	25dB
Image rejection	45dB
IF rejection.....	35dB
S/N	40dB
T.H.D.	1.0%
Power requirement	120V, 60Hz
Dimensions.....	425(W) × 158(H) × 368(D) mm (16.7 × 6.2 × 14.5 inches)
Weight	12.8kg (28.2 lbs)
Standard accessories	
FM antenna	1
AM loop antenna.....	1
FM antenna plug	1
Remote control unit (RC-V435).....	1
Batteries for remote control unit (UM-4).....	4
Operator's manual	1

* For improvement purposes, specifications and design are subject to change without notice.

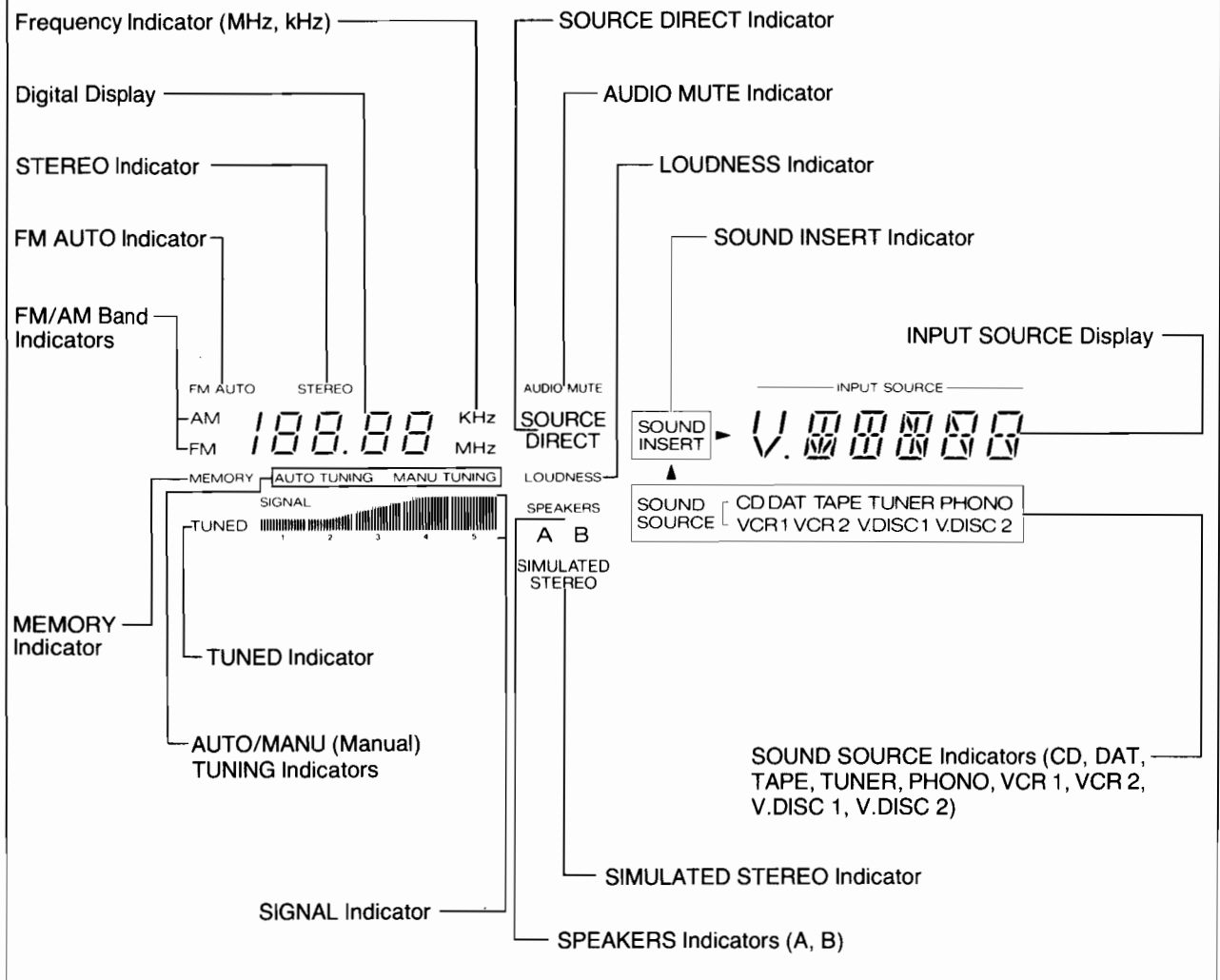
II. CONTROLS

2-1 Model AA-V335



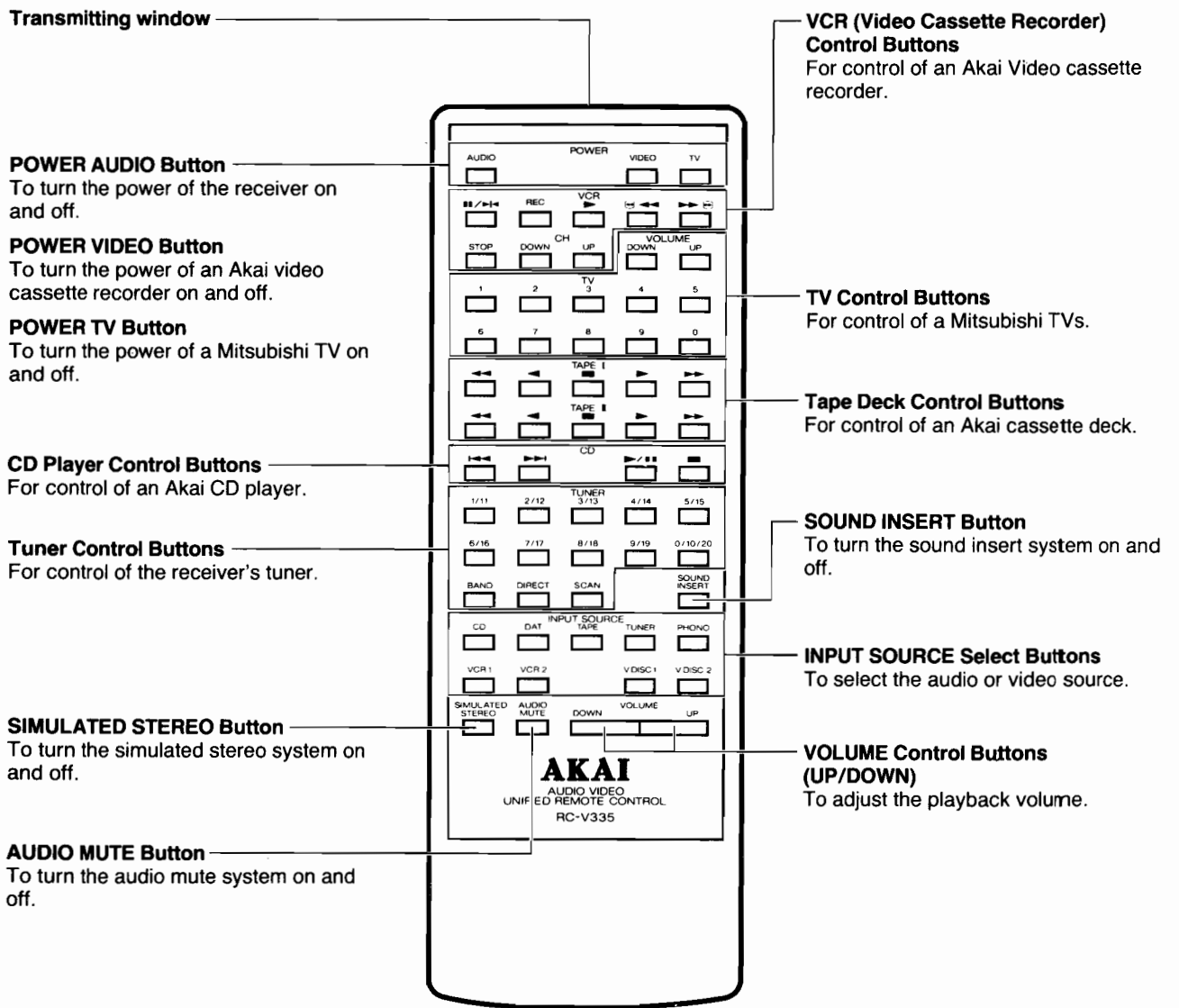
- 1 Remote Sensor Window**
To receive the remote control signal from the RC-V335 provided remote control unit. Keep away from strong light and direct sunlight as this may interfere with the remote control function.
- 2 POWER Button and Indicator**
To turn the power on and off. The indicator will light when the power is on.
- 3 ON/STANDBY Indicator**
Tells you the power cord is connected to a household AC outlet.
- 4 PHONES Jack**
For connection of headphones.
- 5 BASS Tone Control**
To adjust the low note (bass) level. When set to 0, the control is ineffective.
- 6 TREBLE Tone Control**
To adjust the high note (treble) level. When set to 0, the control is ineffective.
- 7 BALANCE Control**
To adjust the left and right channel balance. Normally set the control to 0.
- 8 PRESET STATION/DIRECT TUNING buttons**
To memorize and recall FM and AM stations and for direct tuning of stations.
- 9 FL (Fluorescent) Display**
Tells you what the receiver is doing.
- 10 LOUDNESS Switch (ON/OFF)**
To turn the loudness system on and off.
- 11 LOUDNESS Control (MIN/MAX)**
To increase or decrease the loudness effect.
- 12 VOLUME Control (-dB: minus decibel) and Indicator**
To adjust the volume level. The 0 dB (zero decibel) position is the maximum volume output of the receiver. The indicator will light when the power is turned on. The surround speaker level can be adjusted at the same time when the surround system is engaged.
- 13 V.DISC 2 Input Jacks (L: Left/R: Right/V: Video)**
For connection of video equipment for playback purposes.
- 14 SOURCE DIRECT Switch**
To select the playback operation mode. If you wish to use the BASS, TREBLE or BALANCE controls, set the switch to off.
- 15 AUDIO MUTE Button**
To instantly reduce the playback volume by 20 dB (1/10) from the level that the VOLUME control is set at.
- 16 SOUND INSERT Button**
To turn the sound insert system on and off during video source recording and playback.
- 17 Input Select Buttons (PHONO, TAPE, DAT, TUNER, CD, VCR 1, VCR 2, V.DISC 1, V.DISC 2)**
To select the audio or video source you wish to playback.
- 18 MEMORY Button**
To store tuned in stations at PRESET STATION button.
- 19 TUNING Control Button (UP/DOWN)**
To tune in stations manually or automatically.
- 20 BAND Button**
To select between the FM and AM band.
- 21 DIRECT Button**
To tune in a stations directly.
- 22 SCAN Button**
To start automatic preset station scanning.
- 23 TUNING MODE Button**
To select between the automatic or manual tuning modes.
- 24 FM MODE Button**
To select between the stereo and monaural mode during FM reception.
- 25 SIMULATED STEREO Button**
To turn the simulated stereo system on and off.
- 26 SPEAKERS A/B Switch (ON/OFF)**
To select the speaker system. For headphone listening, set both switches to OFF. When using two pairs of speaker systems at the same time, set both switches to ON.

On the FL (Fluorescent) display

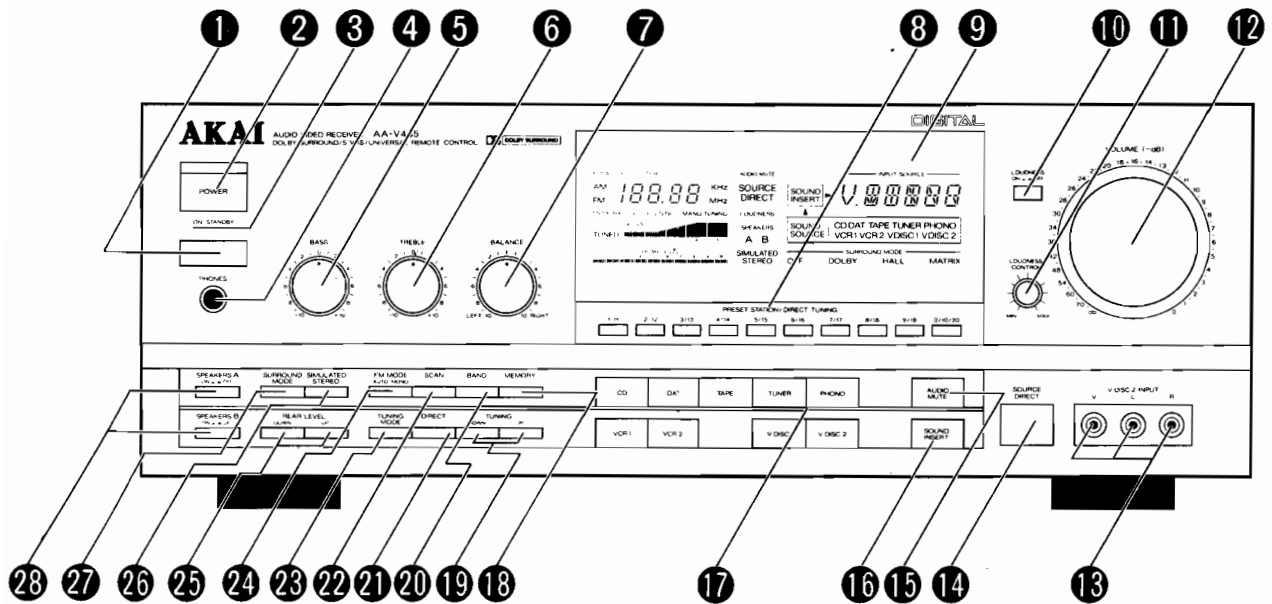


REMOTE CONTROL UNIT

The remote control can be used to conveniently control all of the receiver's functions as well as basic control of Akai video cassette recorders and Mitsubishi TVs.

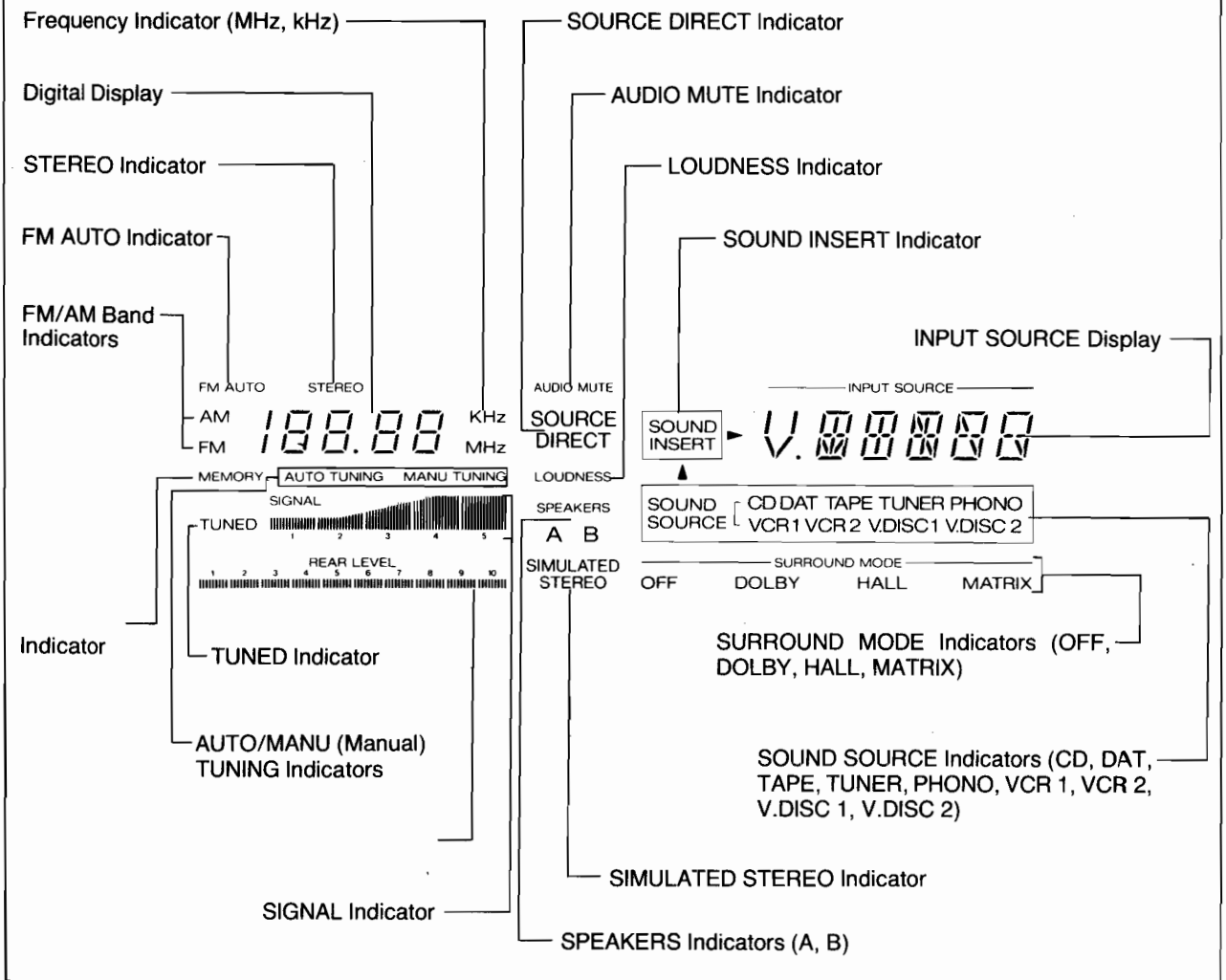


2-2 Model AA-V435



- 1 Remote Sensor Window**
To receive the remote control signal from the RC-V435 provided remote control unit.
Keep away from strong light and direct sunlight as this may interfere with the remote control function.
- 2 POWER Button and Indicator**
To turn the power on and off.
The indicator will light when the power is on.
- 3 ON/STANDBY Indicator**
Tells you the power cord is connected to a household AC outlet.
- 4 PHONES Jack**
For connection of headphones.
- 5 BASS Tone Control**
To adjust the low note (bass) level.
When set to 0, the control is ineffective.
- 6 TREBLE Tone Control**
To adjust the high note (treble) level.
When set to 0, the control is ineffective.
- 7 BALANCE Control**
To adjust the left and right channel balance.
Normally set the control to 0.
- 8 PRESET STATION/DIRECT TUNING buttons**
To memorize and recall FM and AM stations and for direct tuning of stations.
- 9 FL (Fluorescent) Display**
Tells you what the receiver is doing.
- 10 LOUDNESS Switch**
(ON/ OFF)
To turn the loudness system on and off.
- 11 LOUDNESS Control (MIN/MAX)**
To increase or decrease the loudness effect.
- 12 VOLUME Control (-dB: minus decibel) and Indicator**
To adjust the volume level. The 0 dB (zero decibel) position is the maximum volume output of the receiver.
The indicator will light when the power is turned on.
The surround speaker level can be adjusted at the same time when the surround system is engaged.
- 13 V.DISC 2 Input Jacks (L: Left/R: Right/V: Video)**
For connection of video equipment for playback purposes.
- 14 AUDIO MUTE Button**
To instantly reduce the playback volume by 20 dB (1/10) from the level that the VOLUME control is set at.
- 15 SOUND INSERT Button**
To turn the sound insert system on and off during video source recording and playback.
- 16 MEMORY Button**
To store tuned in stations at PRESET STATION button.
- 17 Input Select Buttons (PHONO, TAPE, DAT, TUNER, CD, VCR 1, VCR 2, V.DISC 1, V.DISC 2)**
To select the audio or video source you wish to playback.
- 18 SOURCE DIRECT Switch**
To select the playback operation mode. If you wish to use the BASS, TREBLE or BALANCE controls, set the switch to off.
- 19 TUNING Control Button (UP/DOWN)**
To tune in stations manually or automatically.
- 20 BAND Button**
To select between the FM and AM band.
- 21 DIRECT Button**
To tune in a stations directly.
- 22 SCAN Button**
To start automatic preset station scanning.
- 23 TUNING MODE Button**
To select between the automatic or manual tuning modes.
- 24 FM MODE Button**
To select between the stereo and monaural mode during FM reception.
- 25 REAR LEVEL Control Button (UP/DOWN)**
To adjust the rear surround system playback volume when the surround system is engaged.
- 26 SIMULATED STEREO Button**
To turn the simulated stereo system on and off.
- 27 SURROUND MODE Select Button**
To select the surround mode (DOLBY, HALL or MATRIX).
- 28 SPEAKERS A/B Switch (ON/ OFF)**
To select the speaker system.
For headphone listening, set both switches to . When using two pairs of speaker systems at the same time, set both switches to .

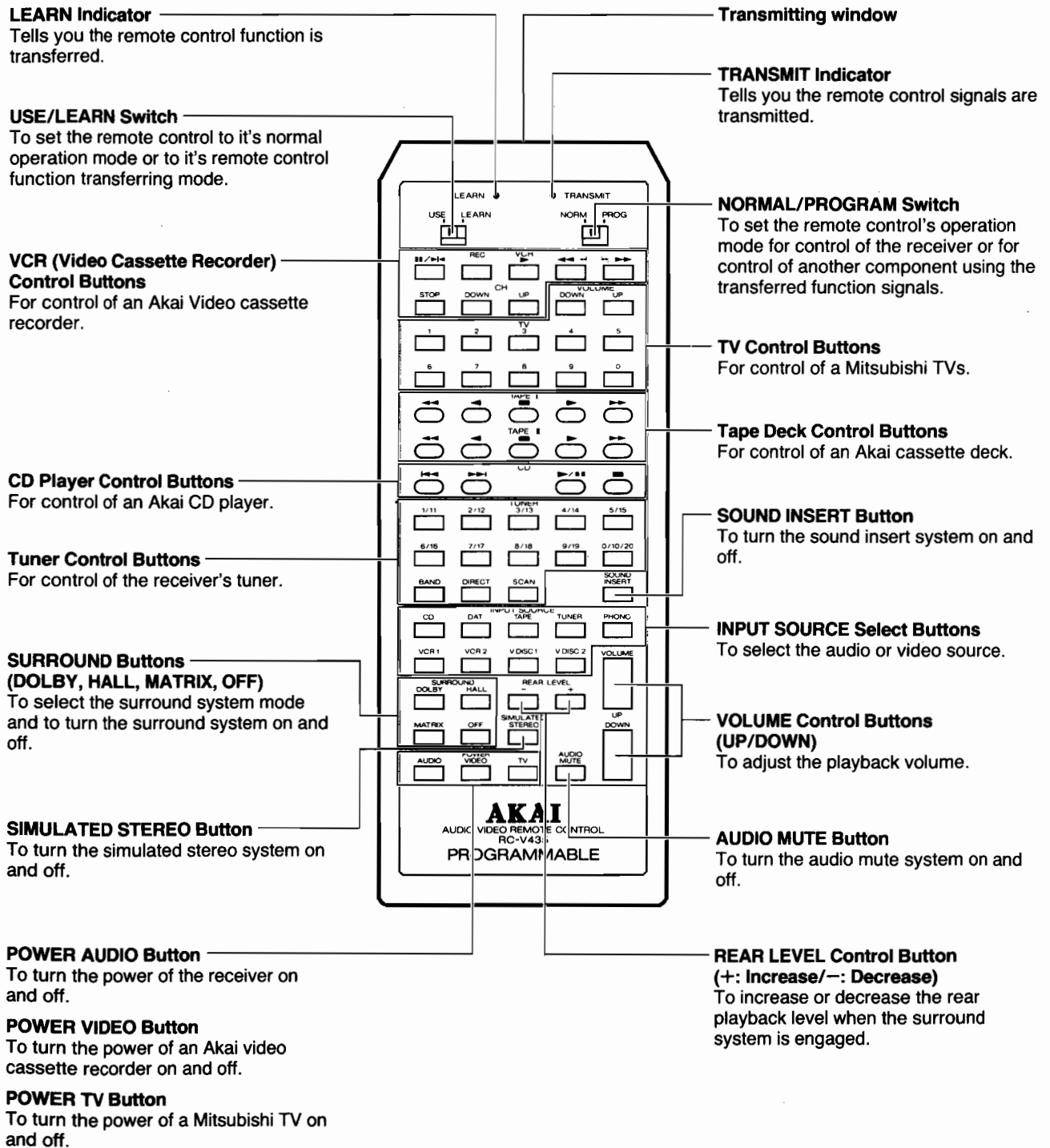
On the FL (Fluorescent) display



REMOTE CONTROL UNIT

The remote control can be used to conveniently control all of the receiver's functions as well as basic control of Akai video cassette recorders and Mitsubishi TVs.

If you wish to use this remote control to control other components you can transfer their remote control functions to this unit using the programming function.

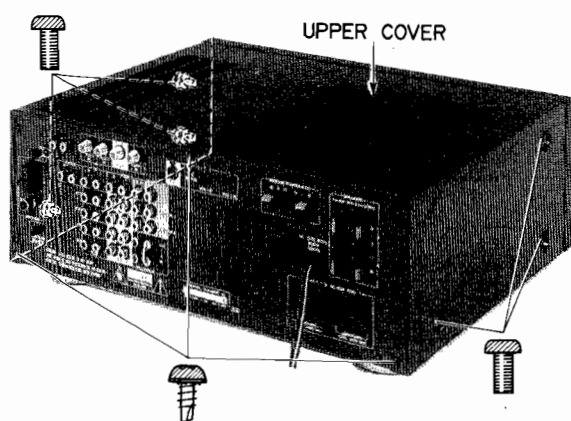


III. DISASSEMBLY

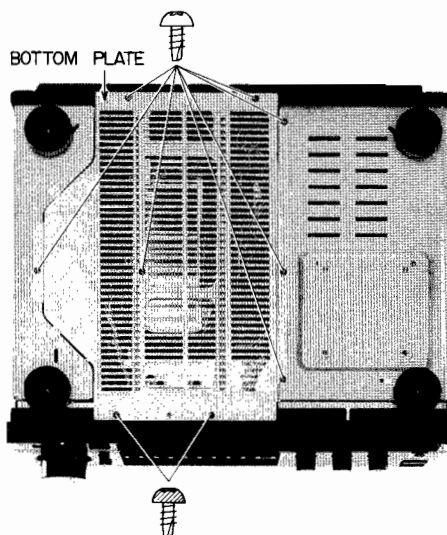
In case of trouble, etc, necessitating dismantling, please dismantle in the order shown in the photographs.
Reassemble in reverse order.

* Photographs employed here are of model AA-V435.

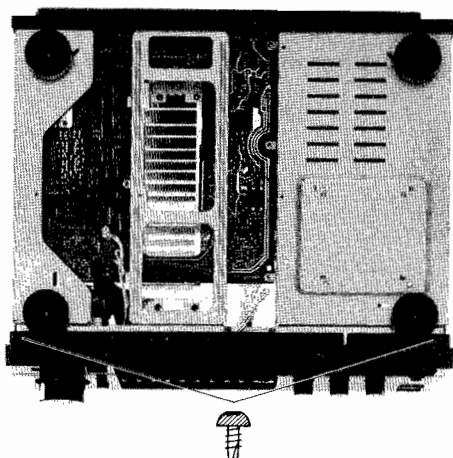
1. Removal of UPPER COVER



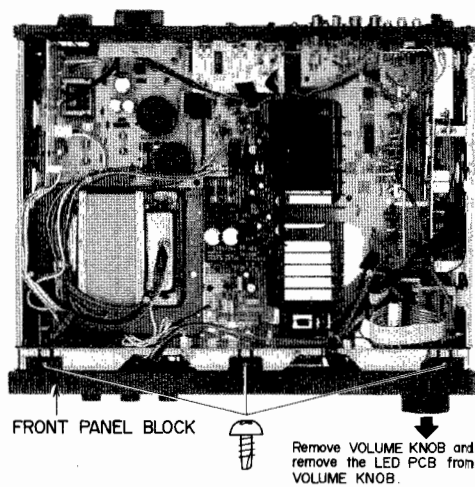
3. Removal of FRONT PANEL BLOCK



2. Removal of BOTTOM PLATE



4.



IV. PRINCIPAL PARTS LOCATION

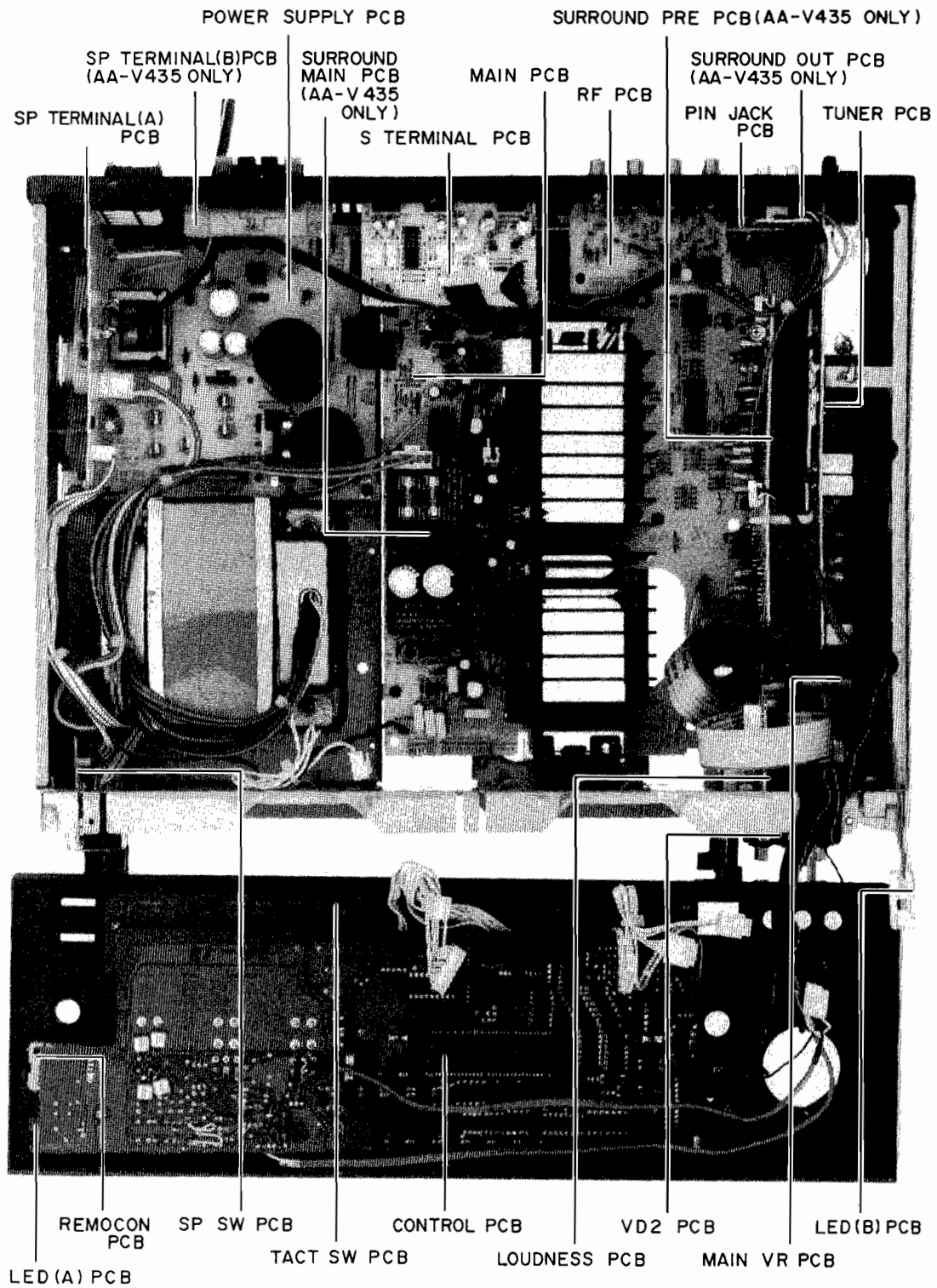


Fig. 4-1

V. ELECTRICAL ADJUSTMENT

5-1. INSTRUMENT CONNECTIONS

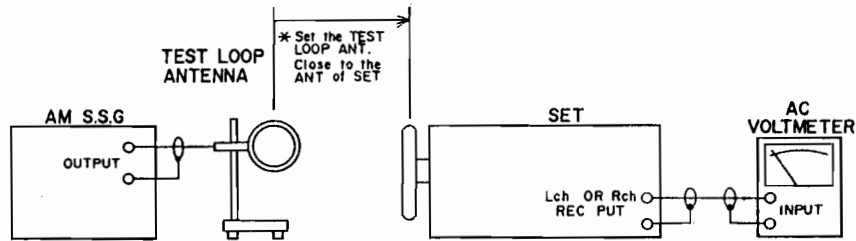


Fig. 5-1. Instrument Connection for AM Section Adjustments

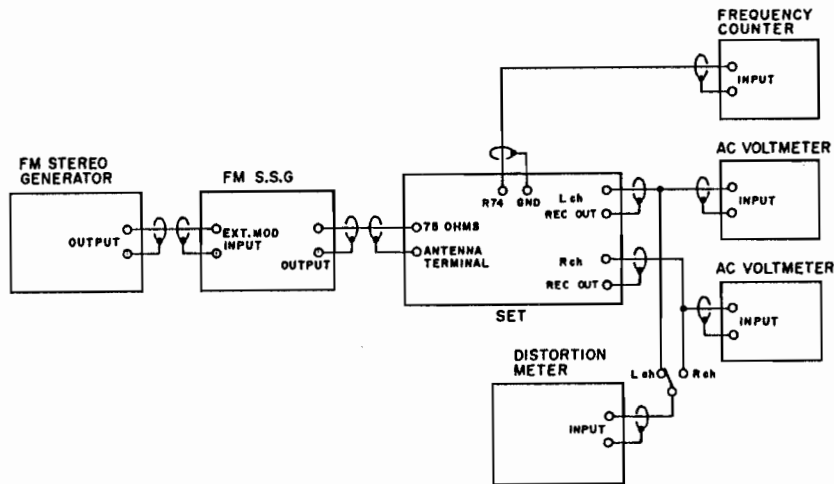
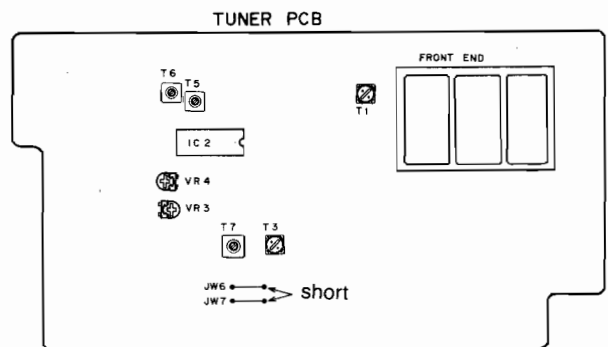


Fig. 5-2. Instrument Connection for FM Section Adjustments

5-2. HOW TO RECALL THE PRESET TUNING FREQUENCY FOR ADJUSTMENT

Short the two Jumper Wires JW6 and JW7 on the TUNER PCB momentarily as shown Fig.5-3, then select the required tuning frequency by pushing one of the PRESET STATION button on the FRONT PANEL.



* View from the parts side

Fig. 5-3

* The internal tuning frequency preset memory is set as below.

PRESET STATION	1 ch	2 ch	3 ch	4 ch	5 ch	6 ch	7 ch	8 ch	9 ch	10 ch
TUNING FREQUENCY	FM 88.00MHz	FM 90.00MHz	FM 98.00MHz	FM 100.00MHz	FM 106.00MHz	FM 108.00MHz	FM 95.70MHz	FM 107.70MHz	AM 530kHz	AM 600kHz

PRESET STATION	11 ch	12 ch	13 ch	14 ch	15 ch	16 ch	17 ch	18 ch	19 ch	20 ch
TUNING FREQUENCY	AM 1,000kHz	AM 1,400kHz	AM 800kHz	AM 1,300kHz	AM 1,610kHz	AM 1,190kHz	FM 92.00MHz	FM 94.00MHz	FM 96.00MHz	FM 102.00MHz

5-3. TUNER ADJUSTMENT

NOTES:

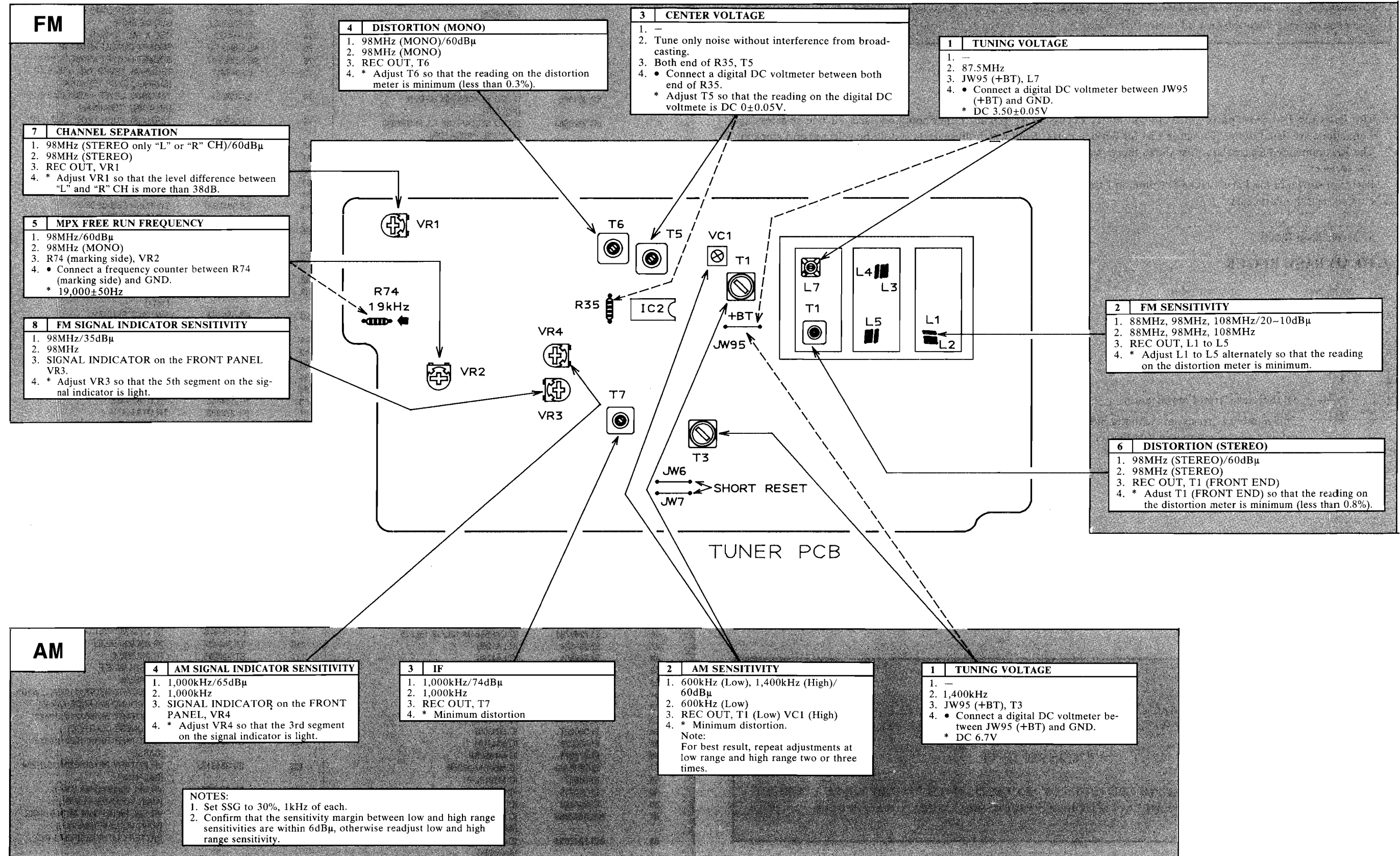
1. Set SSG to 75kHz deviation, 1kHz.
2. Confirm that the sensitivity margin between low and high range sensitivities are within 3dBμ, otherwise readjust low and high range sensitivity.

STEP No. ADJUSTMENT ITEM

1. SSG Freq./Att.
2. Tuning freq.
3. Test point, Adjustment part
4. Remarks (●)/Result (*)

Adjustment point

Test point



V. PARTS LIST

ATTENTION

- When placing an order for parts, be sure to list Part No., Model No. and the description of each part. Otherwise, the non-delivery of the part or the delivery of a wrong part may result.
- Please make sure that Part No. is correct when ordering. If not, a part different from the one you ordered may be delivered.
- Since the parts shown in Parts List of Preliminary Service Manual may have been the subject of changes, please use this Parts List for all future reference.

HOW TO USE THIS PARTS LIST

- This Parts List lists those parts which are considered necessary for repairs. Other common parts, such as resistors and capacitors, are listed in the "Common List for Service Parts" from which these parts should be selected and stocked.
- The Recommended Spare Parts List shows those parts in the Parts List which are considered particularly important for service.
- Parts not shown in the Parts List and "Common List for Service Parts" will not in principle be supplied.
- How to read the Parts List.

a) Mechanism Block

2. HEAD BASE BLOCK

REF. NO.	PART NO.	DESCRIPTION
1	BH-T2023A320A	HEAD BASE BLOCK
2	HP-H2206A010A	HEAD R/P PR4-8FU C
3	ZS-477876	PAN20x03STL CMT
4	ZS-536488	BID20x08STL CMT
5	ZG-402895	SP CS ANGLE ADJUST

SP (Service Parts) Classification

This number corresponds with the individual parts index number in that figure.

b) PC Board

6. MAIN PC BOARD

REF. NO.	PART NO.	DESCRIPTION
IC1	EI-324536	IC HD14049BP
IC2	EI-336801	IC MB8841-564M
C1A	EC-338399	C MMY V 223M 250AC [U,E,B,S]
C1B	EC-350949	C MMY V 223M 250DC [J]
C1C	EC-338397	C MMY V 223M 125AC [C,A]
X1	EI-318384	OSC X'TAL NC-18C

Symbols for primary destination

[A] : AAL (U.S.A) [S] : SAA (Australia)
 [B] : BEAB (England) [U] : U/T (Universa Area)
 [C] : CSA (Canada) [E] : CEE (Europe) [V] : VDE (W. Germany)
 [J] : JPN (Japan) [Y] : Custom Version

SP (Service Parts) Classification

These reference symbols correspond with component symbols in the Schematic Diagrams.

The available PC Board Blocks are listed separately.

- When Part No. is known, Parts Index at end of Parts List can be used to locate where that part is shown in Parts List by its Reference No. listed at right of Part No.

WARNING

Δ(*) INDICATES SAFETY CRITICAL COMPONENTS. FOR CONTINUED SAFETY, REPLACE SAFETY CRITICAL COMPONENTS ONLY WITH MANUFACTURE'S RECOMMENDED PARTS.

AVERTISSEMENT

Δ(*) IL INDIQUE LES COMPOSANTS CRITIQUES DE SÉCURITÉ. POUR MAINTENIR LE DEGRÉ DE SÉCURITÉ DE L'APPAREIL, NE REMPLACER QUE DES PIÈCES RECOMMANDÉES PAR LE FABRICANT.

1. RECOMMENDED SPARE PARTS

We suggest you to stock the following Recommended Spare Part items listed below since they can cover most of the routine service.

Ref. No.	Part No.	Description	Ref. No.	Part No.	Description
			63	EI-371579	IC S8054ALB
			64	EI-310036	IC TC4066BP
			65	EI-343371	IC TC9154AP
			66	EI-351849	IC UPC1235C
			67	EI-354080	IC UPC1237H
			68	*EI-384342J	IC UPC1238V
			69	EI-726880J	IC UPD4538BG
			70	EI-726144J	IC UPD6124G-536
			71	EI-376113	OSC CE CSB455EB
			72	EI-388110J	OSC CE CST4.19MG 4.194MHZ
			73	EI-726885J	OSC CE 8MHZ
			74	EI-344422	OSC X'TAL HC-18/U 7.200MHZ
			75	*EJ-384277J	SOCKET OUTLET M7037 2P
			76	*EJ-384283J	SOCKET OUTLET M7037-B 2X2P
			77	EJ-349417	TERMINAL LEVER YKD21-0026 4P [SURROUND SP TERMINAL]
			78	EJ-359031	TERMINAL LEVER YKD31-0215 P 2P [ANTENNA TERMINAL]
			79	EJ-349061	TERMINAL PUSH YKD21-0025 P 8P [SPEAKER TERMINAL]
			80	EM-384263J	IND FL BG-558GK
			81	*EQ-385209J	RELAY POW VS-12-MB-NR
			82	EQ-382352J	RELAY POW G5R-2282P 2NO 24V
			83	*ER-318647	R FUSE H S10 ERD2FC 1/4W 4R7J
			84	*ER-356573	R SD ANTI-STATIC 1/2W 225K
			85	ES-384302J	SW PUSH ESB-62 06-02 [LOUDNESS SW]
			86	ES-383041J	SW PUSH ESB-62931 2-04-02N [SOURCE DIRECT SW]
			87	ES-384346J	SW PUSH SPUL23 04-02 2THRPW N [SPEAKER SELECTOR SW]
			88	ES-726886J	SW SLIDE SSSS71079A
			89	ES-349474	SW TACT SKHHAM004A [1/11]
			90	ES-359172	SW TACT SKHHAP [POWER]
			91	ES-726887J	SW TACT SKHMPA0001
			92	ET-381637J	DETECTOR GP1U521
			93	ET-718652	TR CHIP 2SC2412K
			94	ET-726883J	TR CHIP 2SD1664
			95	ET-363953	TR DTA114TS
			96	ET-354415	TR DTA144ES
			97	ET-373985	TR DTA144TS
			98	ET-360399	TR DTC114TS
			99	ET-354371	TR DTC124ES
			100	ET-370310	TR DTC144TS
			101	ET-354094	TR DTC144WS
			102	ET-349449	TR FET 2SK161 O,Y
			103	ET-337759	TR FET 2SK246 GR
			104	ET-724344J	TR 2SA1037K
			105	ET-308472	TR 2SA1115 E,F,G F05
			106	ET-353899	TR 2SA1317 S,T,U
			107	ET-305463	TR 2SA970 GR,BL
			108	*ET-366365	TR 2SB1185 E,F
			109	*ET-373210	TR 2SB1187 E,F
			110	ET-307195	TR 2SC2240 GR,BL
			111	ET-338410	TR 2SC2878 A,B
			112	ET-336869	TR 2SC2999 C,D
			113	ET-360067	TR 2SC3330 T,U F05
			114	ET-349081	TR 2SC3383 S,T
			115	ET-357878	TR 2SC3383 S2,T,U
			116	ET-356437	TR 2SC930 D2,E,F
			117	ET-328265	TR 2SC930 F
			118	*ET-366581	TR 2SD1762 E,F
			119	ET-721755J	TR 2SD596
			120	EV-384318J	VR ROTARY RK09K1110 SPCL W105 [SURROUND BALANCE AA-435]
			121	EV-384319J	VR ROTARY RK1631210 A104X2 [LOUDNESS CONTROL]
			122	EV-384316J	VR ROTARY RK1631220 B103X2 [BASS]
			123	EV-384317J	VR ROTARY RK1631220 M254N254 [BALANCE]
			124	EV-384328J	VR SPL RK16Y12MA B104X2 [MAIN VOLUME][AA-V335]
			125	EV-384323J	VR SPL RK16313MA M104 B104X2 [MAIN VOLUME][AA-V435]
			126	*EZ-358816	BATTERY LITHIUM BR2032-1HF

2. P.C BOARD BLOCK

Ref. No.	Part No.	Description
1A	BA-A1027C020A	PC(#) MAIN BLK AA-V335(A) [A]
1B	BA-A1027C020C	PC(#) MAIN BLK AA-V335(C) [C]
1C	BA-A1027C020B	PC(#) MAIN BLK AA-V435(A) [A]
1D	BA-A1027C020D	PC(#) MAIN BLK AA-V435(C) [C]
2A	BA-A1027C030A	PC(#) TUNER BLK AA-V335
2B	BA-A1027C030B	PC(#) TUNER BLK AA-V435
3	BA-F0141A010F	PC FRONT END BLK FE41(A)
4A	BA-A1027C040A	PC(#) CONTROL BLK AA-V335
4B	BA-A1027C040B	PC(#) CONTROL BLK AA-V435
5	BA-A1028C050A	PC(#) SURROUND BLK AA-V435 [AA-V435]

PC (#) MAIN BLK CONSISTS OF FOLLOWING P.C BOARD.

- * MAIN P.C BOARD
- * LOUDNESS P.C BOARD
- * SPEAKER SW P.C BOARD
- * VD2 P.C BOARD
- * MAIN VOLUME P.C BOARD

PC (#) TUNER BLK CONSISTS OF FOLLOWING P.C BOARD.

- * TUNER P.C BOARD
- * PIN JACK P.C BOARD
- * S TERMINAL P.C BOARD
- * SPEAKER TERMINAL (A) P.C BOARD
- * POWER SUPPLY P.C BOARD

PC (#) CONTROL BLK CONSISTS OF FOLLOWING P.C BOARD.

- * CONTROL P.C BOARD
- * TACT SW P.C BOARD
- * REMOCOM P.C BOARD
- * LED (A) P.C BOARD

PC (#) SURROUND BLK CONSISTS OF FOLLOWING P.C BOARD.

- * SURROUND PRE P.C BOARD
- * SURROUND MAIN P.C BOARD

3. MAIN P.C BOARD

Ref. No.	Part No.	Description
C20A	EC-367048	C EC V CUT SME 101M 63.0DC [AA-V335]
C20B	EC-201637	C EC V CUT AS1 101M 80.0DC [AA-V435]
C21A	EC-367048	C EC V CUT SME 101M 63.0DC [AA-V335]
C21B	EC-201637	C EC V CUT AS1 101M 80.0DC [AA-V435]

Ref. No.	Part No.	Description
C25	EC-334005	C EC V CUT NP SM 331M 10DC
D1	ED-338333	D ZENER H HZ5 B2
D2	ED-348990	D SILICON H DS446
D3	ED-348990	D SILICON H DS446
D4	ED-624903	D SILICON H 1S2473
D5	ED-348990	D SILICON H DS446
D6	ED-346627	D ZENER H HZ33 2
D7	ED-346567	D ZENER H HZ16-1L
D8	ED-330218	D ZENER H HZ15-2L
D9	ED-346567	D ZENER H HZ16-1L
D10	ED-310387	D ZENER H HZ12 B2
D11	ED-337265	D ZENER H HZ6 C2
D12	ED-329051	D ZENER H HZ24 3
D13	ED-310387	D ZENER H HZ12 B2
D14	ED-348990	D SILICON H DS446
D15	ED-307572	D SILICON H 1SS131
D16	ED-307572	D SILICON H 1SS131
D17	ED-307572	D SILICON H 1SS131
D18	ED-307572	D SILICON H 1SS131
D19	ED-307572	D SILICON H 1SS131
D20	ED-307572	D SILICON H 1SS131
D21	ED-346594	D ZENER H HZ3 B3
FR1	*ER-318647	R FUSE H S10 ERD2FC 1/4W 4R7J
FR2	*ER-318647	R FUSE H S10 ERD2FC 1/4W 4R7J
FR3	*ER-318647	R FUSE H S10 ERD2FC 1/4W 4R7J
FR4	*ER-318647	R FUSE H S10 ERD2FC 1/4W 4R7J
FR5	*ER-318647	R FUSE H S10 ERD2FC 1/4W 4R7J
FR6	*ER-318647	R FUSE H S10 ERD2FC 1/4W 4R7J
IC1	EI-384285J	IC LC7821
IC2	EI-384285J	IC LC7821
IC3	EI-346071	IC M5218L-21
IC4	EI-346071	IC M5218L-21
IC5	EI-349719	IC M5218P
IC6	EI-349719	IC M5218P
IC7	EI-349719	IC M5218P
IC8	EI-353421	IC BA6229
IC9A	*EI-384286J	IC STK4044V [AA-V335]
IC9B	*EI-384288J	IC STK4046V [AA-V435]
IC10	EI-354080	IC UPC1237H
J3	SP-384291J	SOCKET 10N-AQ 10P
J5	SP-384291J	SOCKET 10N-AQ 10P
L1	EO-337880	COIL FIX 2 202AK-018 2R2K
RL1	EQ-382352J	RELAY POW G5R-2282P 2NO 24V
R28	ER-322787	R CB H S10 FS RDS 1/4W 100J
R34	ER-322591	R CB H S10 FS RDS 1/4W 101J
R35	ER-322591	R CB H S10 FS RDS 1/4W 101J
R36	ER-345466	R CT W F09 PLATE 5W R22K [AA-V435]
R37	ER-345466	R CT W F09 PLATE 5W R22K [AA-V435]
R38	ER-345466	R CT W F09 PLATE 5W R22K [AA-V435]
R39	ER-345466	R CT W F09 PLATE 5W R22K [AA-V435]
R40	ER-345466	R CT W F09 PLATE 5W R22K
R45	ER-384296J	R OMF H S15 FS 2W 4R7J
R46	ER-384296J	R OMF H S15 FS 2W 4R7J
R55	ER-384297J	R CB H S12 FS RDS 1/2W 103J
R56	ER-382933J	R OMF H S15 FS 2W 391J
R59	ER-382940J	R OMF H S10 FS 1/2W 182J
R62	ER-382940J	R OMF H S10 FS 1/2W 182J
R64	ER-382940J	R OMF H S10 FS 1/2W 182J
R68	ER-382934J	R OMF H S15 FS 2W 121J
R70	ER-382941J	R OMF H S10 FS 1/2W 392J
TR1	ET-307195	TR 2SC2240 GR,BL
TR2	ET-305463	TR 2SA970 GR,BL
TR3	*ET-366581	TR 2SD1762 E,F
TR4	*ET-366581	TR 2SD1762 E,F
TR5	*ET-366581	TR 2SD1762 E,F
TR6	*ET-366365	TR 2SB1185 E,F
TR7	*ET-366581	TR 2SD1762 E,F
TR8	*ET-373210	TR 2SB1187 E,F
TR9	*ET-373210	TR 2SB1187 E,F
TR10	ET-308472	TR 2SA1115 E,F,G F05
TR11	ET-308472	TR 2SA1115 E,F,G F05

4. LOUDNESS P.C BOARD

Ref. No.	Part No.	Description
IC101	EI-349719	IC M5218P
R107	ER-322591	R CB H S10 FS RDS 1/4W 101J
R108	ER-322591	R CB H S10 FS RDS 1/4W 101J
SW101	ES-383041J	SW PUSH ESB-62931 2-04-02N [SOURCE DIRECT SW]
SW102	ES-384302J	SW PUSH ESB-62 06-02 [LOUDNESS SW]
TR101	ET-338410	TR 2SC2878 A,B
VR101	EV-384319J	VR ROTARY RK1631210 A104X2 [LOUDNESS CONTROL]

5. SPEAKER SW P.C BOARD

Ref. No.	Part No.	Description
J201	EJ-369995	PHONE J 3P HLJ0540-410 GP 6.3 [PHONES9]
R201	ER-371591	R OMF H S15 FS 2W 221J
SW201	ES-384346J	SW PUSH SPUL23 04-02 2THRPW N [SPEAKER SELECTOR SW]

6. VD2 P.C BOARD

Ref. No.	Part No.	Description
J301	EJ-384303J	PIN J JPJ0872-01-111 GP 3P [VD2]
F1A	*EF-346115	FUSE TSC 125V 6.30A [AA-V335]
F1B	*EF-345658	FUSE TSC 125V 8.00A [AA-V435]

7. MAIN VOLUME P.C BOARD

Ref. No.	Part No.	Description
VR401	EV-384328J	VR SPL RK16Y12MA B104X2 [MAIN VOLUME][AA-V335]
VR501	EV-384323J	VR SPL RK16313MA M104 B104X2 [MAIN VOLUME][AA-V435]

8. LED (B) P.C BOARD

Ref. No.	Part No.	Description
D601	ED-382358J	D LED SLR34PC 3F K,L,M GREEN [VOLUME INDICATOR]

9. TUNER P.C BOARD

Ref. No.	Part No.	Description
D1	ED-306316	D ZENER H HZ5 C2
D2	ED-307572	D SILICON H 1SS131
D3	ED-318859	D ZENER H HZ9 C2
D4	ED-349460-A	D VARACTOR SVC321SPA ABCD DBL
D5	ED-349460-A	D VARACTOR SVC321SPA ABCD DBL
D8	ED-307572	D SILICON H 1SS131
D10	ED-307572	D SILICON H 1SS131
D11	ED-307572	D SILICON H 1SS131
D12	ED-307572	D SILICON H 1SS131
D13	ED-307572	D SILICON H 1SS131
FL1	EH-355568	FILTER CE SFE10.7MS2G-A
FL2	EH-355568	FILTER CE SFE10.7MS2G-A
FL3	EH-344434	FILTER CE BFU450C4N 0.450MHZ
FL6	EH-370069	FILTER LC LP 42B-1081-00
FL7	EH-370069	FILTER LC LP 42B-1081-00
IC1	EI-361622	IC LM7001
IC2	EI-361624	IC LA1265
IC3	EI-351849	IC UPC1235C
R10	ER-355633	R OMF H S15 FS 1W 331J
R25	ER-306805	R CB H S15 FS RDS 1/2W 101J
R31	ER-327710	R CB H S10 FS RDS 1/4W 151J
R35	ER-333379	R CB H S10 FS RDS 1/4W 183J
R59	ER-327710	R CB H S10 FS RDS 1/4W 151J
TM1	EJ-359031	TERMINAL LEVER YKD31-0215 P 2P [ANTENNA TERMINAL]
TR1	ET-337759	TR FET 2SK246 GR
TR2	ET-349081	TR 2SC3383 S,T
TR3	ET-353899	TR 2SA1317 S,T,U
TR4	ET-353899	TR 2SA1317 S,T,U
TR10	ET-356437	TR 2SC930 D2,E,F
TR13	ET-349081	TR 2SC3383 S,T
TR14	ET-349081	TR 2SC3383 S,T
TR15	ET-354094	TR DTC144WS
TR16	ET-357878	TR 2SC3383 S2,T,U
TR17	ET-357878	TR 2SC3383 S2,T,U
TR18	ET-353899	TR 2SA1317 S,T,U
TR19	ET-360067	TR 2SC3330 T,U F05
T1	EO-337598	COIL VARI 2 25A-1353-01
T3	EO-363279	COIL OSC 2 A7NRS-9857X 150.0UH
T5	EO-363291	COIL DET 2 78-1128-01
T6	EO-361630	COIL DET 2 78-1126-02
T7	EO-353176	COIL IFT PEGK0008B-01 455.0KHZ
T7A	EH-344435	FILTER CE SFU450B9 0.450MHZ
VC1	EC-359065	C S-FIX H CTC-6U-020 4.3-20
VR1	EV-361673	R S-FIX H RH0615C 0.10W 334
VR2	EV-356576	R S-FIX H RH0615C 0.10W 472
VR3	EV-358829	R S-FIX H RH0615C 0.10W 223
VR4	EV-358829	R S-FIX H RH0615C 0.10W 223
VR5	EV-384318J	VR ROTARY RK09K1110 SPCL W105 [SURROUND BALANCE AA-435]
X1	EI-344422	OSC X'TAL HC-18/U 7.200MHZ

10. PIN JACK P.C BOARD

Ref. No.	Part No.	Description
IC101	EI-344764	IC M5218P-21
IC102	EI-370973	IC M4066BP
IC103	EI-370973	IC M4066BP
J101	EJ-384270J	PIN J T6227-AACB 2P [PHONO]
J102	EJ-368244	PIN J T6087 6P [CD,VCR PLAY]
J103	EJ-382362J	PIN J T6027-AABB 4P [DAT,TAPE PLAY]
J104	EJ-368244	PIN J T6087 6P [V.DISC,VCR REC]
J105	EJ-382362J	PIN J T6027-AABB 4P [DAT,TAPE REC]
J106	EJ-384271J	PIN J T6087-AADB 6P [MONITOR OUT]
J107	EJ-382362J	PIN J T6027-AABB 4P [PROCESSOR]
R109	ER-327710	R CB H S10 FS RDS 1/4W 151J
R110	ER-327710	R CB H S10 FS RDS 1/4W 151J
TR101	ET-353899	TR 2SA1317 S,T,U
TR102	ET-353899	TR 2SA1317 S,T,U
TR103	ET-353899	TR 2SA1317 S,T,U
TR104	ET-370310	TR DTC144TS
TR105	ET-370310	TR DTC144TS
TR106	ET-370310	TR DTC144TS

11. S TERMINAL P.C BOARD

Ref. No.	Part No.	Description
D201	ED-307572	D SILICON H 1SS131
D202	ED-307572	D SILICON H 1SS131
D203	ED-307572	D SILICON H 1SS131
IC201	EI-370973	IC M4066BP
J201	EJ-384275J	DIN J TCS7927-14-401 4P [VCR1]
J202	EJ-384275J	DIN J TCS7927-14-401 4P [VCR2]
J203	EJ-384275J	DIN J TCS7927-14-401 4P [OUT]
TR201	ET-353899	TR 2SA1317 S,T,U
TR202	ET-353899	TR 2SA1317 S,T,U
TR203	ET-370310	TR DTC144TS
TR204	ET-370310	TR DTC144TS
TR205	ET-370310	TR DTC144TS
TR206	ET-370310	TR DTC144TS

12. SPEAKER TERMINAL (A) P.C BOARD

Ref. No.	Part No.	Description
TM401	*EJ-384277J	SOCKET OUTLET M7037 2P
TM402	EJ-349061	TERMINAL PUSH YKD21-0025 P 8P [SPEAKER TERMINAL]

13. POWER SUPPLY P.C BOARD

Ref. No.	Part No.	Description
C503	EC-338411	C CE V FZ 103P 400AC
C504	EC-389170J	C MMY V F12 MMHF 473K 400DC
C505A	EC-384320J	C EC V S10 822M 65.0DC [AA-V335]
C505B	EC-384321J	C EC V SNP 103M 72.0DC [AA-V435]
C506A	EC-384320J	C EC V S10 822M 65.0DC [AA-V335]
C506B	EC-384321J	C EC V SNP 103M 72.0DC [AA-V435]
C507	EC-370033	C EC V CUT SME 102M 35.0DC
C508	EC-370033	C EC V CUT SME 102M 35.0DC
C509	EC-383146J	C EC V CUT SME 102M 50.0DC
D501	*ED-330319	D SILICON DBA10B 100/1.0A
D502	*ED-370990	D SILICON 1SR35-100AHS F10
D503	*ED-384278J	D SILICON RBV602 200/6.0A
D504	*ED-330319	D SILICON DBA10B 100/1.0A
D505	*ED-370990	D SILICON 1SR35-100AHS F10
IC501	*EI-384279J	IC MC7806CT
RL501	*EQ-385209J	RELAY POW VS-12-MB-NR
R504	*ER-356573	R SD ANTI-STATIC 1/2W 225K
TM501	*EJ-384283J	SOCKET OUTLET M7037-B 2X2P
TR501	ET-360399	TR DTC114TS
TR502	ET-360067	TR 2SC3330 T,U F05
T501	*BT-384281J	TRANS POW A1028S-CA
F2A	*EF-310229	FUSE TSC 125V 1.00A [AA-V335]
F2B	*EF-309392	FUSE TSC 125V 1.25A [AA-V435]
F3A	*EF-310229	FUSE TSC 125V 1.00A [AA-V335]
F3B	*EF-309392	FUSE TSC 125V 1.25A [AA-V435]
F4A	*EF-309392	FUSE TSC 125V 1.25A [AA-V335]
F4B	*EF-309392	FUSE TSC 125V 1.25A [AA-V435]

14. FRONT END P.C BOARD

Ref. No.	Part No.	Description
D1	ED-349448	D VARACTOR 1SV147
D2	ED-349448	D VARACTOR 1SV147
D3	ED-349448	D VARACTOR 1SV147
D4	ED-349448	D VARACTOR 1SV147
L1	EO-349461	COIL FIX 2 LINK
L2	EO-349462	COIL FIX 2 U147
L3	EO-349461	COIL FIX 2 LINK
L4	EO-349462	COIL FIX 2 U147
L5	EO-349462	COIL FIX 2 U147
L6	EO-359056	COIL FIX 1 LAL03NA 2R2M
L7	EO-353687	COIL OSC 2 E525HN-110003
TR1	ET-349449	TR FET 2SK161 O,Y
TR2	ET-336869	TR 2SC2999 C,D
TR3	ET-328265	TR 2SC930 F
TR4	ET-349449	TR FET 2SK161 O,Y
T1	EO-337640	COIL IFT 119AC-15533X 10.7MHZ

15. CONTROL P.C BOARD

Ref. No.	Part No.	Description
BT1	*EZ-358816	BATTERY LITHIUM BR2032-1HF
D1	ED-307572	D SILICON H 1SS131
D2	ED-307572	D SILICON H 1SS131
D3	ED-307572	D SILICON H 1SS131
D4	ED-307572	D SILICON H 1SS131
D5	ED-307572	D SILICON H 1SS131
D6	ED-307572	D SILICON H 1SS131
D7	ED-624903	D SILICON H 1S2473
D8	ED-624903	D SILICON H 1S2473
D9	ED-624903	D SILICON H 1S2473
D10	ED-624903	D SILICON H 1S2473
D11	ED-624903	D SILICON H 1S2473
D12	ED-624903	D SILICON H 1S2473
D13	ED-624903	D SILICON H 1S2473
D14	ED-624903	D SILICON H 1S2473
D15	ED-624903	D SILICON H 1S2473
D16	ED-624903	D SILICON H 1S2473
D17	ED-307572	D SILICON H 1SS131
D18	ED-624903	D SILICON H 1S2473
D19	ED-624903	D SILICON H 1S2473
D20	ED-624903	D SILICON H 1S2473
D21	ED-624903	D SILICON H 1S2473
D22	ED-624903	D SILICON H 1S2473
D23	ED-624903	D SILICON H 1S2473
D24	ED-624903	D SILICON H 1S2473
D25	ED-624903	D SILICON H 1S2473
D26	ED-624903	D SILICON H 1S2473
D27	ED-331197	D ZENER H HZ6 C1
D31	ED-307572	D SILICON H 1SS131
D32	ED-307572	D SILICON H 1SS131
D33	ED-307572	D SILICON H 1SS131
D34	ED-307572	D SILICON H 1SS131
D35	ED-624903	D SILICON H 1S2473
D36	ED-307572	D SILICON H 1SS131
D37	ED-307572	D SILICON H 1SS131
D38	ED-307572	D SILICON H 1SS131
D39	ED-307572	D SILICON H 1SS131
D40	ED-624903	D SILICON H 1S2473
D41	ED-624903	D SILICON H 1S2473
D42	ED-624903	D SILICON H 1S2473
FL1	EM-384263J	IND FL BG-558GK
IB1	EH-383096J	COMP R RGLD6X472J
IB2	EH-354954	COMP R RGLD4X472J
IB3	EH-383097J	COMP R RGLD10X472J
IC1	EI-384264J	IC A1027 1271
IC2	EI-343417	IC LB1294
IC3	EI-343417	IC LB1294
IC4	EI-349719	IC M5218P
IC5	EI-349719	IC M5218P
P1	EJ-382690J	PLUG 174075-5 5P
P2	EJ-382690J	PLUG 174075-5 5P
P3	EJ-382690J	PLUG 174075-5 5P
P4	EJ-384267J	PLUG 174711-5 5P
R18	ER-322591	R CB H S10 FS RDS 1/4W 101J
R19	ER-322591	R CB H S10 FS RDS 1/4W 101J
TS101	ES-359172	SW TACT SKHHAP [POWER]
TR1	ET-363953	TR DTA114TS
TR2	ET-363953	TR DTA114TS
TR3	ET-354415	TR DTA144ES
TR4	ET-373985	TR DTA144TS
TR5	ET-373985	TR DTA144TS
TR6	ET-373985	TR DTA144TS
TR7	ET-373985	TR DTA144TS
TR8	ET-354371	TR DTC124ES
TR9	ET-360399	TR DTC114TS
VR1	EV-384316J	VR ROTARY RK1631220 B103X2 [BASS]
VR2	EV-384316J	VR ROTARY RK1631220 B103X2 [TREBLE]
VR3	EV-384317J	VR ROTARY RK1631220 M254N254 [BALANCE]
X1	EI-388110J	OSC CE CST4.19MG 4.194MHZ

16. TACT SW P.C BOARD

Ref. No.	Part No.	Description
TS1	ES-349474	SW TACT SKHHAM004A [1/11]
TS2	ES-349474	SW TACT SKHHAM004A [2/12]
TS3	ES-349474	SW TACT SKHHAM004A [3/13]
TS4	ES-349474	SW TACT SKHHAM004A [4/14]
TS5	ES-349474	SW TACT SKHHAM004A [5/15]
TS6	ES-349474	SW TACT SKHHAM004A [6/16]
TS7	ES-349474	SW TACT SKHHAM004A [7/17]
TS8	ES-349474	SW TACT SKHHAM004A [8/18]
TS9	ES-349474	SW TACT SKHHAM004A [9/19]
TS10	ES-349474	SW TACT SKHHAM004A [0/10/20]
TS11	ES-349474	SW TACT SKHHAM004A [REAR LEVEL UP][AA-V435]
TS12	ES-349474	SW TACT SKHHAM004A [REAR LEVEL DOWN][AA-V435]
TS13	ES-349474	SW TACT SKHHAM004A [SIMULATION ON/OFF]
TS14	ES-349474	SW TACT SKHHAM004A [SURROUND MODE][AA-V435]
TS15	ES-349474	SW TACT SKHHAM004A [VCR1]
TS16	ES-349474	SW TACT SKHHAM004A [TUNING UP]
TS17	ES-349474	SW TACT SKHHAM004A [TUNING DOWN]
TS18	ES-349474	SW TACT SKHHAM004A [DIRECT]
TS19	ES-349474	SW TACT SKHHAM004A [TUNING MODE]
TS20	ES-349474	SW TACT SKHHAM004A [V.DISC 2 CAMCORDER]
TS21	ES-349474	SW TACT SKHHAM004A [V.DISC 1 TV]
TS22	ES-349474	SW TACT SKHHAM004A [VCR2]
TS23	ES-349474	SW TACT SKHHAM004A [SOUND INSERT]
TS24	ES-349474	SW TACT SKHHAM004A [CD]
TS25	ES-349474	SW TACT SKHHAM004A [MEMORY]
TS26	ES-349474	SW TACT SKHHAM004A [BAND]
TS27	ES-349474	SW TACT SKHHAM004A [SCAN]
TS28	ES-349474	SW TACT SKHHAM004A [FM MODE AUTO/MONO]
TS29	ES-349474	SW TACT SKHHAM004A [PHONO]
TS30	ES-349474	SW TACT SKHHAM004A [TUNER]
TS31	ES-349474	SW TACT SKHHAM004A [TAPE]
TS32	ES-349474	SW TACT SKHHAM004A [DAT]
TS33	ES-349474	SW TACT SKHHAM004A [AUDIO MUTE]

17. REMOCON P.C BOARD

Ref. No.	Part No.	Description
D52	ED-384268J	D LED SLP-175D-50 RED [ON/STANDBY]
PH1	ET-381637J	DETECTOR GP1U521

18. LED (A) P.C BOARD

Ref. No.	Part No.	Description
D50	ED-361885	D LED SLP-384C-51 GREEN [POWER]
D51	ED-361885	D LED SLP-384C-51 GREEN [POWER]

19. SURROUND PRE P.C BOARD (AA-V435)

Ref. No.	Part No.	Description
D1	ED-346526	D ZENER H HZ6B1L
D2	ED-346526	D ZENER H HZ6B1L
D3	ED-307572	D SILICON H 1SS131
D4	ED-307572	D SILICON H 1SS131
IC1	EI-349719	IC M5218P
IC2	EI-349719	IC M5218P
IC3	EI-349719	IC M5218P
IC4	EI-349719	IC M5218P
IC5	EI-349719	IC M5218P
IC6	EI-360227	IC MN3007
IC7	EI-360228	IC MN3101
IC8	EI-349591	IC LA2730
IC9	EI-349719	IC M5218P
IC10	EI-310036	IC TC4066BP
IC11	EI-349719	IC M5218P
IC12	EI-343371	IC TC9154AP
R17	ER-384341J	R CB H S12 FS RDS 1/2W 181J
TR1	ET-370310	TR DTC144TS
TR2	ET-370310	TR DTC144TS
TR3	ET-370310	TR DTC144TS
TR4	ET-370310	TR DTC144TS
TR5	ET-349081	TR 2SC3383 S,T
VR1	EV-352088	R S-FIX V RVF8W01 0.10W 103

20. SURROUND MAIN P.C BOARD (AA-V435)

Ref. No.	Part No.	Description
C106	EC-326583	C MMY V CUT CF921 473K 400DC
C107	EC-324662	C EC V CUT AS1 222M 25.0DC
C108	EC-324662	C EC V CUT AS1 222M 25.0DC
D101	*ED-384324J	D SILICON RBV402 200/4.0A
IC101	*EI-384342J	IC UPC1238V
F5	*EF-306954	FUSE TSC 125V 2.00A
F6	*EF-306954	FUSE TSC 125V 2.00A

21. SPEAKER TERMINAL (B) P.C BOARD (AA-V435)

Ref. No.	Part No.	Description
TM1	EJ-349417	TERMINAL LEVER YKD21-0026 4P [SURROUND SP TERMINAL]

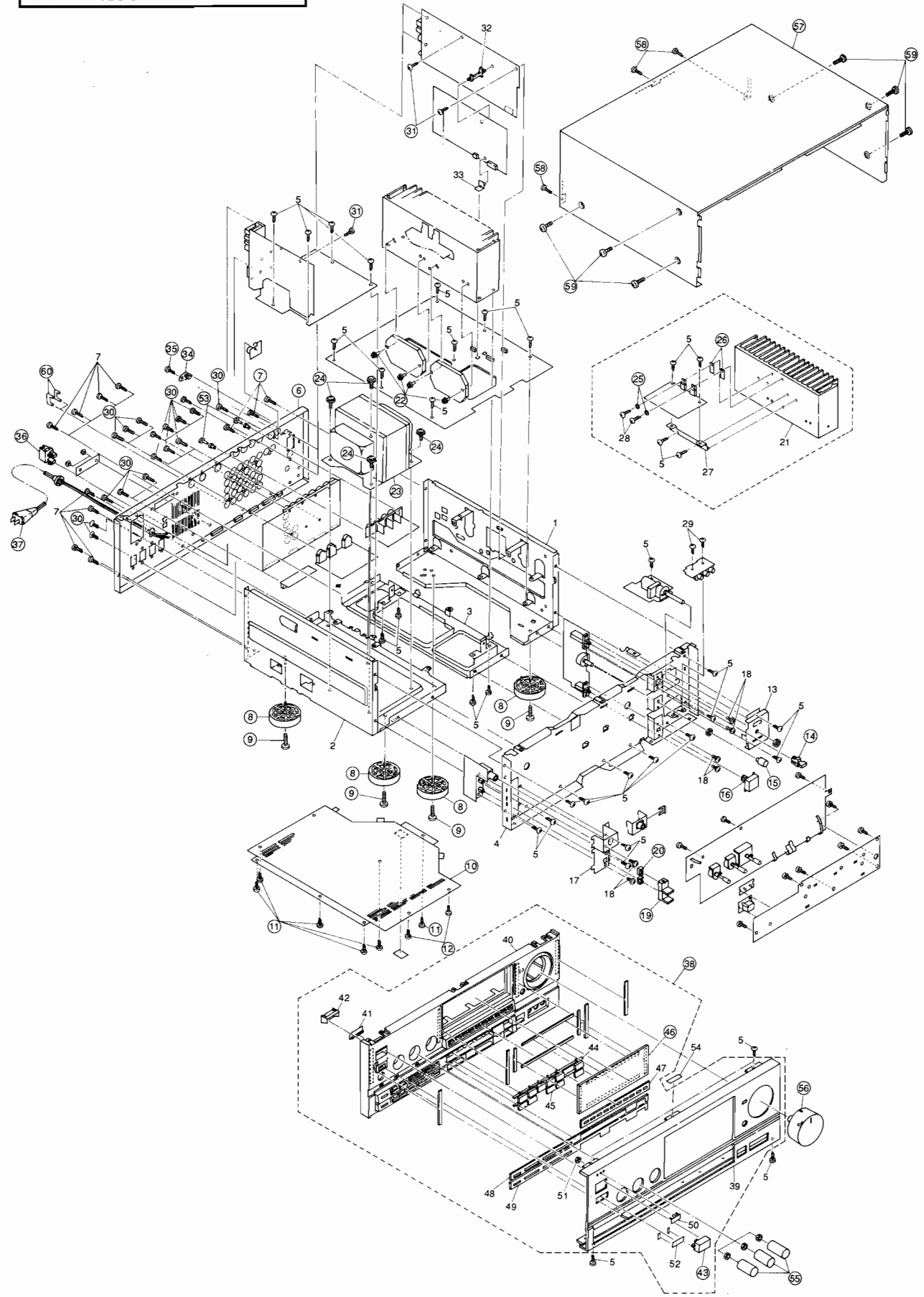
22. SURROUND OUT P.C BOARD (AA-V435)

Ref. No.	Part No.	Description
J201	EJ-384270J	PIN J T6227-AACB 2P [SURROUND OUT]

23. RF SWITCH P.CBOARD

Ref. No.	Part No.	Description
D1	ED-307572	D SILICON H 1SS131
D2	ED-307572	D SILICON H 1SS131
D3	ED-307572	D SILICON H 1SS131
D4	ED-307572	D SILICON H 1SS131
D5	ED-307572	D SILICON H 1SS131
D6	ED-307572	D SILICON H 1SS131
D7	ED-360934	D SILICON H 1SS238
D8	ED-360934	D SILICON H 1SS238
D9	ED-360934	D SILICON H 1SS238
D10	ED-360934	D SILICON H 1SS238
D11	ED-360934	D SILICON H 1SS238
D12	ED-360934	D SILICON H 1SS238
D13	ED-360934	D SILICON H 1SS238
D14	ED-360934	D SILICON H 1SS238
D15	ED-360934	D SILICON H 1SS238
D16	ED-307572	D SILICON H 1SS131
D17	ED-307572	D SILICON H 1SS131
D18	ED-307572	D SILICON H 1SS131
TM1	EJ-366338	JACK PLATE F CONNECTOR 4P [RF IN, V.DISC IN]

FINAL ASSEMBLY BLOCK



PARTS LIST

24. FINAL ASSEMBLY BLOCK

Ref. No.	Part No.	Description
5	ZS-447840	T2BR30X08STL CMT
6A	SP-384220J1	PANEL REAR AA-V335(A,C) [AA-V335]
6B	SP-384222J1	PANEL REAR AA-V435(A,C) [AA-V435]
7	ZS-308846	T2BR30X08STL BZN PROJECTION
8	SA-384105J	FOOT ROUND SHAPED(N)
9	ZS-304021	ST BID40X12STL CMT
10	SP-384219J	BOTTOM PLATE
11	ZS-447840	T2BR30X08STL CMT
12	ZS-463353	T2BR30X08STL BNI
14	SK-384004J	KNOB PUSH
15	SK-384005J	KNOB VR
16	SK-384007J	KNOB DIRECT
18	ZS-422076	PAN30X05STL CMT
19	SK-384023J	KNOB SP
20	ZW-368205	FLEXIBLE RING 2414-0-0-086-01
22	ZS-384345J	+6T2 30X20STL CMT C070
23A	*BT-384245J	TRANS POW A1027-AC [AA-V335]
23B	*BT-384246J	TRANS POW A1028-AC [AA-V435]
24	ZS-346742	ST BID40X08STL CMT CUP
25	ZW-632226	WASHER INSULATOR (BUSH M)
26	EZ-384327J	TR ACCE INSU. TC20AG-AV TO220
28	ZS-523664	T2BR30X10STL CMT
29	ZS-336351	T2BR30X08STL NI3
30	ZS-350934	PT BR30X08STL BNI
31	ZW-698308	RV NYL30X055 BL
34	EJ-329610	TERMINAL W/SCREW UB-0067 L 1P
35	ZS-308846	T2BR30X08STL BZN PROJECTION
36	SZ-362273	HOLDER ANTENNA (2)
37	*EW-363827	AC CORD200 KP10WSPT2HB100 A UC
38A	BD-A1027C060A	PANEL FRONT BLK AA-V335-B
38B	BD-A1027C060B	PANEL FRONT BLK AA-V435-B
43	SK-384021J	KNOB POW B
46	SE-384011J1	IND PLATE
50	SM-365756C	NAME PLATE AKAI(2)
51	ZW-653163	RING CS 280STL PKR
53	ZW-231030	RV NYL30X045 BL
55	SK-375362	KNOB BALANCE
56	SK-381022J1	KNOB VR A PART
57	SP-373246B	COVER UPPER-BLACK
58	ZS-308846	T2BR30X08STL BZN PROJECTION
59	ZS-341960	ST BID40X06STL BNI
60	EJ-369015	PLUG SHORT-PIN CNT31-0057

NOTE:

Parts will not be supplied if they are not listed in the parts list, even if they appear on the assembling illustrations with reference No.

25. ACCESSORY

Ref. No.	Part No.	Description
1A	AX-384258J	REMOCON RC-V335
1B	AX-384259J	REMOCON RC-V435
2	EJ-352118	SOCKET COAX PAL B2-714P-900
3	EE-359265	ANT LOOP LA-200A-A
4	EE-381076J	ANT DIPOLE (FM)

26. REMOCON RC-V335

Ref. No.	Part No.	Description
D1	ED-376111	D LED SE303AC INFRARED
D2	ED-717990	D SILICON 1SS181
D3	ED-717990	D SILICON 1SS181
D4	ED-717990	D SILICON 1SS181
D5	ED-717990	D SILICON 1SS181
IC1	EI-726144J	IC UPD6124G-536
Q1	ET-721755J	TR 2SD596
Z1	EI-376113	OSC CE CSB455EB
1	SC-726125J	CASE BATTERY RC-V235/335

27. REMOCON RC-435

Ref. No.	Part No.	Description
D1	ED-718658	D SILICON CHIP DAN202K
D2	ED-718658	D SILICON CHIP DAN202K
D3	ED-718659	D SILICON CHIP DAP202K
D4	ED-718659	D SILICON CHIP DAP202K
D5	ED-718659	D SILICON CHIP DAP202K
D6	ED-718659	D SILICON CHIP DAP202K
D7	ED-718658	D SILICON CHIP DAN202K
D8	ED-718658	D SILICON CHIP DAN202K
D9	ED-718658	D SILICON CHIP DAN202K
D10	ED-718658	D SILICON CHIP DAN202K
D11	ED-718658	D SILICON CHIP DAN202K
D12	ED-718658	D SILICON CHIP DAN202K
D13	ED-718658	D SILICON CHIP DAN202K
D14	ED-718658	D SILICON CHIP DAN202K
D15	ED-718658	D SILICON CHIP DAN202K
D16	ED-718658	D SILICON CHIP DAN202K
D17	ED-718658	D SILICON CHIP DAN202K
IC1	EI-726878J	IC M50747-272FP
IC2	EI-726879J	IC CXK5864M 12L/12 15L/15
IC3	EI-726880J	IC UPD4538BG
IC4	EI-726881J	IC LC74HC10M
IC5	EI-371579	IC S8054ALB
IED1	ED-726884J	D IED LN66A
IED2	ED-726884J	D IED LN66A
LED1	ED-386456J	D LED SLP-144B RED
LED2	ED-386456J	D LED SLP-144B RED
PH1	ED-726882J	D PHOTO SPS-503C-3
Q1	ET-718652	TR CHIP 2SC2412K
Q2	ET-718652	TR CHIP 2SC2412K
Q3	ET-726883J	TR CHIP 2SD1664
Q4	ET-724344J	TR 2SA1037K
S1	ES-726886J	SW SLIDE SSSS71079A
S2	ES-726886J	SW SLIDE SSSS71079A
S3	ES-726887J	SW TACT SKHMPA0001
X1	EI-726885J	OSC CE 8MHZ
1	SA-726889J	FOOT RUBBER
2	SK-726890J	KNOB SLIDE
3	SC-726888J	COVER BATTERY SBFA06R01A

INDEX

Part No.	Ref. No.	Part No.	Ref. No.	Part No.	Ref. No.	Part No.	Ref. No.
AX-384258J	25-1A	ED-307572	23-D17	ED-624903	15-D13	EI-343417	15-IC2
AX-384259J	25-1B	ED-307572	23-D18	ED-624903	15-D14	EI-343417	15-IC3
BA-A1027C020A	2-1A	ED-310387	1-24	ED-624903	15-D15	EI-344422	1-74
BA-A1027C020B	2-1C	ED-310387	3-D10	ED-624903	15-D16	EI-344422	9-X1
BA-A1027C020C	2-1B	ED-310387	3-D13	ED-624903	15-D18	EI-344764	1-60
BA-A1027C020D	2-1D	ED-318859	1-35	ED-624903	15-D19	EI-344764	10-IC101
BA-A1027C030A	2-2A	ED-318859	9-D3	ED-624903	15-D20	EI-346071	1-58
BA-A1027C030B	2-2B	ED-329051	1-27	ED-624903	15-D21	EI-346071	3-IC3
BA-A1027C040A	2-4A	ED-329051	3-D12	ED-624903	15-D22	EI-346071	3-IC4
BA-A1027C040B	2-4B	ED-330218	1-25	ED-624903	15-D23	EI-349591	1-48
BA-A1028C050A	2-5	ED-330218	3-D8	ED-624903	15-D24	EI-349591	19-IC8
BA-F0141A010F	2-3	ED-330319	1-13	ED-624903	15-D25	EI-349719	1-59
BD-A1027C060A	24-38A	ED-330319	13-D501	ED-624903	15-D26	EI-349719	3-IC5
BD-A1027C060B	24-38B	ED-330319	13-D504	ED-624903	15-D35	EI-349719	3-IC6
BT-384245J	1-1	ED-331197	1-32	ED-624903	15-D40	EI-349719	3-IC7
BT-384245J	24-23A	ED-331197	15-D27	ED-624903	15-D41	EI-349719	4-IC101
BT-384246J	1-2	ED-337265	1-33	ED-624903	15-D42	EI-349719	15-IC4
BT-384246J	24-23B	ED-337265	3-D11	ED-717990	1-21	EI-349719	15-IC5
BT-384281J	1-3	ED-338333	1-30	ED-717990	26-D2	EI-349719	19-IC1
BT-384281J	13-T501	ED-338333	3-D1	ED-717990	26-D3	EI-349719	19-IC2
EC-201637	3-C20B	ED-346526	1-34	ED-717990	26-D4	EI-349719	19-IC3
EC-201637	3-C21B	ED-346526	19-D1	ED-717990	26-D5	EI-349719	19-IC4
EC-324662	20-C107	ED-346526	19-D2	ED-718658	1-11	EI-349719	19-IC5
EC-324662	20-C108	ED-346567	1-26	ED-718658	27-D1	EI-349719	19-IC9
EC-326583	20-C106	ED-346567	3-D7	ED-718658	27-D2	EI-349719	19-IC11
EC-334005	3-C25	ED-346567	3-D9	ED-718658	27-D7	EI-351849	1-66
EC-338411	13-C503	ED-346594	1-28	ED-718658	27-D8	EI-351849	9-IC3
EC-359065	9-VC1	ED-346594	3-D21	ED-718658	27-D9	EI-353421	1-45
EC-367048	3-C20A	ED-346627	1-29	ED-718658	27-D10	EI-353421	3-IC8
EC-367048	3-C21A	ED-346627	3-D6	ED-718658	27-D11	EI-354080	1-67
EC-370033	13-C507	ED-348990	1-14	ED-718658	27-D12	EI-354080	3-IC10
EC-370033	13-C508	ED-348990	3-D2	ED-718658	27-D13	EI-360227	1-54
EC-383146J	13-C509	ED-348990	3-D3	ED-718658	27-D14	EI-360227	19-IC6
EC-384320J	13-C505A	ED-348990	3-D5	ED-718658	27-D15	EI-360228	1-55
EC-384320J	13-C506A	ED-348990	3-D14	ED-718658	27-D16	EI-360228	19-IC7
EC-384321J	13-C505B	ED-349448	1-23	ED-718658	27-D17	EI-361622	1-52
EC-384321J	13-C506B	ED-349448	14-D1	ED-718659	1-12	EI-361622	9-IC1
EC-389170J	13-C504	ED-349448	14-D2	ED-718659	27-D3	EI-361624	1-47
ED-306316	1-31	ED-349448	14-D3	ED-718659	27-D4	EI-361624	9-IC2
ED-306316	9-D1	ED-349448	14-D4	ED-718659	27-D5	EI-370973	1-56
ED-307572	1-15	ED-349460-A	1-22	ED-718659	27-D6	EI-370973	10-IC102
ED-307572	3-D15	ED-349460-A	9-D4	ED-726882J	1-10	EI-370973	10-IC103
ED-307572	3-D16	ED-349460-A	9-D5	ED-726882J	27-PH1	EI-370973	11-IC201
ED-307572	3-D17	ED-360934	1-16	ED-726884J	1-4	EI-371579	1-63
ED-307572	3-D18	ED-360934	23-D7	ED-726884J	27-IED1	EI-371579	27-IC5
ED-307572	3-D19	ED-360934	23-D8	ED-726884J	27-IED2	EI-376113	1-71
ED-307572	3-D20	ED-360934	23-D9	EE-359265	25-3	EI-376113	26-Z1
ED-307572	9-D2	ED-360934	23-D10	EE-381076J	25-4	EI-384264J	1-44
ED-307572	9-D8	ED-360934	23-D11	EF-306954	1-38	EI-384264J	15-IC1
ED-307572	9-D10	ED-360934	23-D12	EF-306954	20-F5	EI-384279J	1-53
ED-307572	9-D11	ED-360934	23-D13	EF-306954	20-F6	EI-384279J	13-IC501
ED-307572	9-D12	ED-360934	23-D14	EF-309392	1-37	EI-384285J	1-51
ED-307572	9-D13	ED-360934	23-D15	EF-309392	13-F2B	EI-384285J	3-IC1
ED-307572	11-D201	ED-361885	1-8	EF-309392	13-F3B	EI-384285J	3-IC2
ED-307572	11-D202	ED-361885	18-D50	EF-309392	13-F4A	EI-384286J	1-61
ED-307572	11-D203	ED-361885	18-D51	EF-309392	13-F4B	EI-384286J	3-IC9A
ED-307572	15-D1	ED-370990	1-20	EF-310229	1-36	EI-384288J	1-62
ED-307572	15-D2	ED-370990	13-D502	EF-310229	13-F2A	EI-384288J	3-IC9B
ED-307572	15-D3	ED-370990	13-D505	EF-310229	13-F3A	EI-384342J	1-68
ED-307572	15-D4	ED-376111	1-5	EF-345658	1-40	EI-384342J	20-IC101
ED-307572	15-D5	ED-376111	26-D1	EF-345658	6-F1B	EI-388110J	1-72
ED-307572	15-D6	ED-382358J	1-9	EF-346115	1-39	EI-388110J	15-X1
ED-307572	15-D17	ED-382358J	8-D601	EF-346115	6-F1A	EI-726144J	1-70
ED-307572	15-D31	ED-384268J	1-7	EH-344434	1-41	EI-726144J	26-IC1
ED-307572	15-D32	ED-384268J	17-D52	EH-344434	9-FL3	EI-726878J	1-57
ED-307572	15-D33	ED-384278J	1-19	EH-344435	9-77A	EI-726878J	27-IC1
ED-307572	15-D34	ED-384278J	13-D503	EH-354954	15-IB2	EI-726879J	1-46
ED-307572	15-D36	ED-384324J	1-18	EH-355568	1-42	EI-726879J	27-IC2
ED-307572	15-D37	ED-384324J	20-D101	EH-355568	9-FL1	EI-726880J	1-69
ED-307572	15-D38	ED-386456J	1-6	EH-355568	9-FL2	EI-726880J	27-IC3
ED-307572	15-D39	ED-386456J	27-LED1	EH-370069	1-43	EI-726881J	1-50
ED-307572	19-D3	ED-386456J	27-LED2	EH-370069	9-FL6	EI-726881J	27-IC4
ED-307572	19-D4	ED-624903	1-17	EH-370069	9-FL7	EI-726885J	1-73
ED-307572	23-D1	ED-624903	3-D4	EH-383096J	15-IB1	EI-726885J	27-X1
ED-307572	23-D2	ED-624903	15-D7	EH-383097J	15-IB3	EJ-329610	24-34
ED-307572	23-D3	ED-624903	15-D8	EI-310036	1-64	EJ-349061	1-79
ED-307572	23-D4	ED-624903	15-D9	EI-310036	19-IC10	EJ-349061	12-TM402
ED-307572	23-D5	ED-624903	15-D10	EI-343371	1-65	EJ-349417	1-77
ED-307572	23-D6	ED-624903	15-D11	EI-343371	19-IC12	EJ-349417	21-TM1
ED-307572	23-D16	ED-624903	15-D12	EI-343417	1-49	EJ-352118	25-2

INDEX

Part No.	Ref. No.	Part No.	Ref. No.	Part No.	Ref. No.	Part No.	Ref. No.
EJ-359031	1-78	ER-384296J	3-R45	ET-353899	10-TR103	EZ-358816	1-126
EJ-359031	9-TM1	ER-384296J	3-R46	ET-353899	11-TR201	EZ-358816	15-BT1
EJ-366338	23-TM1	ER-384297J	3-R55	ET-353899	11-TR202	EZ-384327J	24-26
EJ-368244	10-J102	ER-384341J	19-R17	ET-354094	1-101	SA-384105J	24-8
EJ-368244	10-J104	ES-349474	1-89	ET-354094	9-TR15	SA-726889J	27-1
EJ-369015	24-60	ES-349474	16-TS1	ET-354371	1-99	SC-726125J	26-1
EJ-369995	5-J201	ES-349474	16-TS2	ET-354371	15-TR8	SC-726888J	27-3
EJ-382362J	10-J103	ES-349474	16-TS3	ET-354415	1-96	SE-384011J1	24-46
EJ-382362J	10-J105	ES-349474	16-TS4	ET-354415	15-TR3	SK-375362	24-55
EJ-382362J	10-J107	ES-349474	16-TS5	ET-356437	1-116	SK-381022J1	24-56
EJ-382690J	15-P1	ES-349474	16-TS6	ET-356437	9-TR10	SK-384004J	24-14
EJ-382690J	15-P2	ES-349474	16-TS7	ET-357878	1-115	SK-384005J	24-15
EJ-382690J	15-P3	ES-349474	16-TS8	ET-357878	9-TR16	SK-384007J	24-16
EJ-384267J	15-P4	ES-349474	16-TS9	ET-357878	9-TR17	SK-384021J	24-43
EJ-384270J	10-J101	ES-349474	16-TS10	ET-360067	1-113	SK-384023J	24-19
EJ-384270J	22-J201	ES-349474	16-TS11	ET-360067	9-TR19	SK-726890J	27-2
EJ-384271J	10-J106	ES-349474	16-TS12	ET-360067	13-TR502	SM-365756C	24-50
EJ-384275J	11-J201	ES-349474	16-TS13	ET-360399	1-98	SP-373246B	24-57
EJ-384275J	11-J202	ES-349474	16-TS14	ET-360399	13-TR501	SP-384219J	24-10
EJ-384275J	11-J203	ES-349474	16-TS15	ET-360399	15-TR9	SP-384220J1	24-6A
EJ-384277J	1-75	ES-349474	16-TS16	ET-363953	1-95	SP-384222J1	24-6B
EJ-384277J	12-TM401	ES-349474	16-TS17	ET-363953	15-TR1	SP-384291J	3-J3
EJ-384283J	1-76	ES-349474	16-TS18	ET-363953	15-TR2	SP-384291J	3-J5
EJ-384283J	13-TM501	ES-349474	16-TS19	ET-366365	1-108	SZ-362273	24-36
EJ-384303J	6-J301	ES-349474	16-TS20	ET-366365	3-TR6	ZS-304021	24-9
EM-384263J	1-80	ES-349474	16-TS21	ET-366581	1-118	ZS-308846	24-7
EM-384263J	15-FL1	ES-349474	16-TS22	ET-366581	3-TR3	ZS-308846	24-35
EO-337598	9-T1	ES-349474	16-TS23	ET-366581	3-TR4	ZS-308846	24-58
EO-337640	14-T1	ES-349474	16-TS24	ET-366581	3-TR5	ZS-336351	24-29
EO-337880	3-L1	ES-349474	16-TS25	ET-366581	3-TR7	ZS-341960	24-59
EO-349461	14-L1	ES-349474	16-TS26	ET-370310	1-100	ZS-346742	24-24
EO-349461	14-L3	ES-349474	16-TS27	ET-370310	10-TR104	ZS-350934	24-30
EO-349462	14-L2	ES-349474	16-TS28	ET-370310	10-TR105	ZS-384345J	24-22
EO-349462	14-L4	ES-349474	16-TS29	ET-370310	10-TR106	ZS-422076	24-18
EO-349462	14-L5	ES-349474	16-TS30	ET-370310	11-TR203	ZS-447840	24-5
EO-353176	9-T7	ES-349474	16-TS31	ET-370310	11-TR204	ZS-447840	24-11
EO-353687	14-L7	ES-349474	16-TS32	ET-370310	11-TR205	ZS-463353	24-12
EO-359056	14-L6	ES-349474	16-TS33	ET-370310	11-TR206	ZS-523664	24-28
EO-361630	9-T6	ES-359172	1-90	ET-370310	19-TR1	ZW-231030	24-53
EO-363279	9-T3	ES-359172	15-TS101	ET-370310	19-TR2	ZW-368205	24-20
EO-363291	9-T5	ES-383041J	1-86	ET-370310	19-TR3	ZW-632226	24-25
EQ-385209J	1-81	ES-383041J	4-SW101	ET-370310	19-TR4	ZW-653163	24-51
EQ-385209J	13-RL501	ES-384302J	1-85	ET-373210	1-109	ZW-698308	24-31
EQ-382352J	1-82	ES-384302J	4-SW102	ET-373210	3-TR8		
EQ-382352J	3-RL1	ES-384346J	1-87	ET-373210	3-TR9		
ER-306805	9-R25	ES-384346J	5-SW201	ET-373985	1-97		
ER-318647	1-83	ES-726886J	1-88	ET-373985	15-TR4		
ER-318647	3-FR1	ES-726886J	27-S1	ET-373985	15-TR5		
ER-318647	3-FR2	ES-726886J	27-S2	ET-373985	15-TR6		
ER-318647	3-FR3	ES-726887J	1-91	ET-373985	15-TR7		
ER-318647	3-FR4	ES-726887J	27-S3	ET-381637J	1-92		
ER-318647	3-FR5	ET-305463	1-107	ET-381637J	17-PH1		
ER-318647	3-FR6	ET-305463	3-TR2	ET-718652	1-93		
ER-322591	3-R34	ET-307195	1-110	ET-718652	27-Q1		
ER-322591	3-R35	ET-307195	3-TR1	ET-718652	27-Q2		
ER-322591	4-R107	ET-308472	1-105	ET-721755J	1-119		
ER-322591	4-R108	ET-308472	3-TR10	ET-721755J	26-Q1		
ER-322591	15-R18	ET-308472	3-TR11	ET-724344J	1-104		
ER-322591	15-R19	ET-328265	1-117	ET-724344J	27-Q4		
ER-322787	3-R28	ET-328265	14-TR3	ET-726883J	1-94		
ER-327710	9-R31	ET-336869	1-112	ET-726883J	27-Q3		
ER-327710	9-R59	ET-336869	14-TR2	EV-352088	19-VR1		
ER-327710	10-R109	ET-337759	1-103	EV-356576	9-VR2		
ER-327710	10-R110	ET-337759	9-TR1	EV-358829	9-VR3		
ER-333379	9-R35	ET-338410	1-111	EV-358829	9-VR4		
ER-345466	3-R36	ET-338410	4-TR101	EV-361673	9-VR1		
ER-345466	3-R37	ET-349081	1-114	EV-384316J	1-122		
ER-345466	3-R38	ET-349081	9-TR2	EV-384316J	15-VR1		
ER-345466	3-R39	ET-349081	9-TR13	EV-384316J	15-VR2		
ER-345466	3-R40	ET-349081	9-TR14	EV-384317J	1-123		
ER-355633	9-R10	ET-349081	19-TR5	EV-384317J	15-VR3		
ER-356573	1-84	ET-349449	1-102	EV-384318J	1-120		
ER-356573	13-R504	ET-349449	14-TR1	EV-384318J	9-VR5		
ER-371591	5-R201	ET-349449	14-TR4	EV-384319J	1-121		
ER-382933J	3-R56	ET-353899	1-106	EV-384319J	4-VR101		
ER-382934J	3-R68	ET-353899	9-TR3	EV-384323J	1-125		
ER-382940J	3-R59	ET-353899	9-TR4	EV-384323J	7-VR501		
ER-382940J	3-R62	ET-353899	9-TR18	EV-384328J	1-124		
ER-382940J	3-R64	ET-353899	10-TR101	EV-384328J	7-VR401		
ER-382941J	3-R70	ET-353899	10-TR102	EW-363827	24-37		

ABBREVIATIONS FOR SERVICE MANUAL

ABBREVIATION	EXPLANATION	ABBREVIATION	EXPLANATION
AFC	Auto Frequency Control	MEMO	MEMOry
AGC	Auto Gain Control	MI-COM	MICro-COMputer
ALC	Auto Level Control	MIN	MINimum
AM	Amplitude Modulation	MIX	MIXing
AMP	AMPLifier	MPX	MultiPleX
ANT	ANTenna	MW	Medium Wave (frequency)
BATT	BATTery	NC	No Connection
BLK	BLock	NFB	Negative Feed Back
BUFF	BUFFer	OSC	OSCillator
COMP	COMParator	PCB	Printed Circuit Board
DET	DETECT (DETECTOR)	PLL	Phase Locked Board
FLD		QD	Quadrature Detector
FM	Frequency Modulation	Rch	Right channel
FREQ	FREQUENCY	REF	REFerence
GND	GrouND	REG	REGulator
H	High	RF	Radio Frequency
HPF	High Pass Filter	SEG	SEGment
IF	Intermediate Frequency	SELE	SELEctor
IHF	Institute of High Fidelity	SENS	SENSitivity
IND	INDicator	SIG	SIGnal
I/O	In/Out	S/N	Signal to Noise Ratio
JW	Jumper Wire	SSG	Standard Signal Generator
L	Low	STD	STanDard
LCD	Liquid Crystal Display	SW	SWitch: Short Wave (frequency)
Lch	Left channel	THD	Total Harmonic Distortion
LED	Light Emitting Diode	TP	Test Point
LPF	Low Pass Filter	VCO	Voltage Controlled Oscillator
LW	Long Wave (Frequency)	VR	Variable Resistor
		X'TAL	Crystal

AKAI ELECTRIC CO., LTD.

12-14, 2-Chome, Higashi-Kojiya, Ohta-Ku, Tokyo, Japan
 SERVICE DEPARTMENT TEL: Tokyo(745)9884 TOKYO TELEX: J26261

Printed No. 881114-A1-1400

Printed Date: December. 19, 1988

350 Printed in Japan

AKAI

MODEL AA-V335

MODEL AA-V435

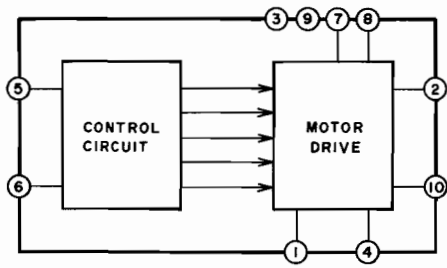
SCHEMATIC DIAGRAM AND PC BOARDS

TABLE OF CONTENTS

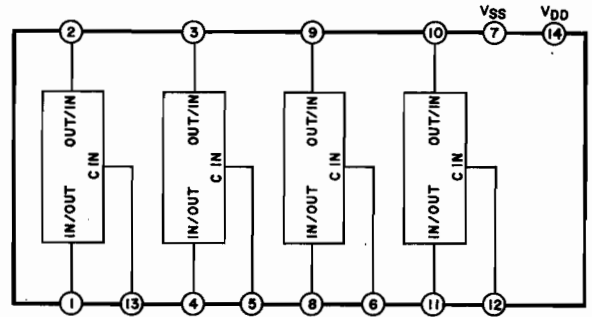
1. IC's	2
2. POWER SUPPLY AND OTHER PC BOARDS	7
3. PIN JACK AND OTHER PC BOARDS	8
4. CONNECTION DIAGRAM	9
5. MAIN SCHEMATIC DIAGRAM	10
6. MAIN PC BOARD	11
7. CONTROL SCHEMATIC DIAGRAM	12
8. TACT SW AND CONTROL PC BOARD	13
9. SURROUND PRE SCHEMATIC DIAGRAM	14
10. SURROUD PC BOARD	15
11. TUNER SCHEMATIC DIAGRAM	16
12. TUNER PC BOARD	17
13. TUNER BLOCK DIAGRAM	18
14. MAIN BLOCK DIAGRAM	19
15. POWER & CONTROL BLOCK DIAGRAM	20

BA6229 (Reversible Motor Drive)

M4066B/BU4066B

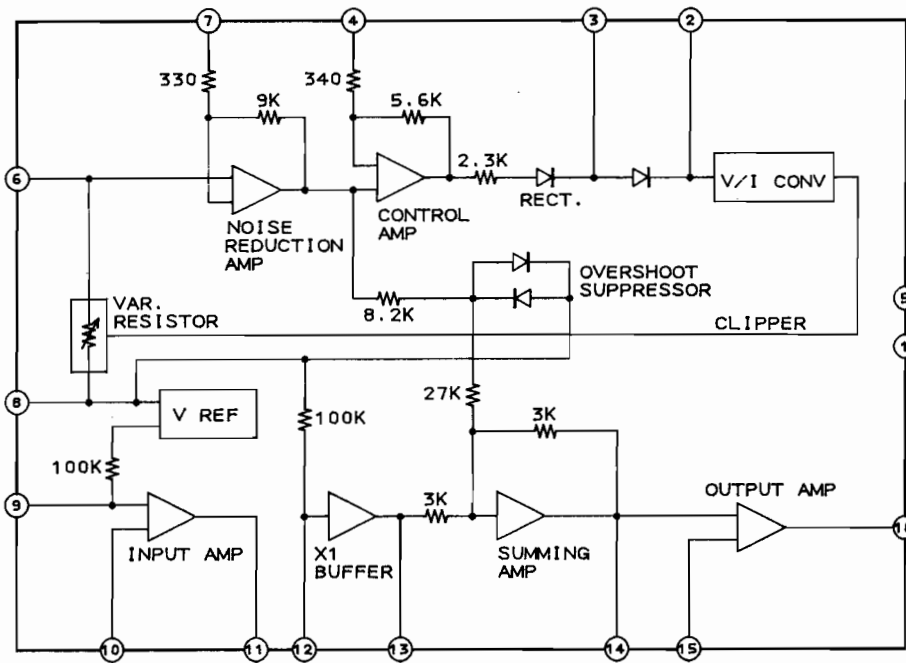


INPUT		OUTPUT		MODE
⑤	⑥	②	⑩	
H	H	L	L	BRAKE
L	H	L	H	CASSETTE & TAPE LOADING
H	L	H	L	CASSETTE & TAPE UNLOADING
L	L	OPEN	OPEN	STOP



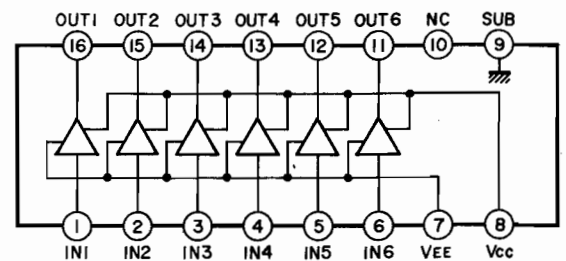
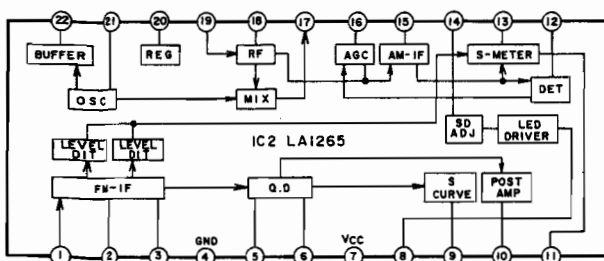
C IN	IMPEDANCE BETWEEN IN/OUT - OUT/IN
H	$0.5 \text{ to } 5 \times 10^2 \text{ OHMS}$
L	MORE THAN 10^9 OHMS

LA2730 (Dolby B Type Noise Reduction)

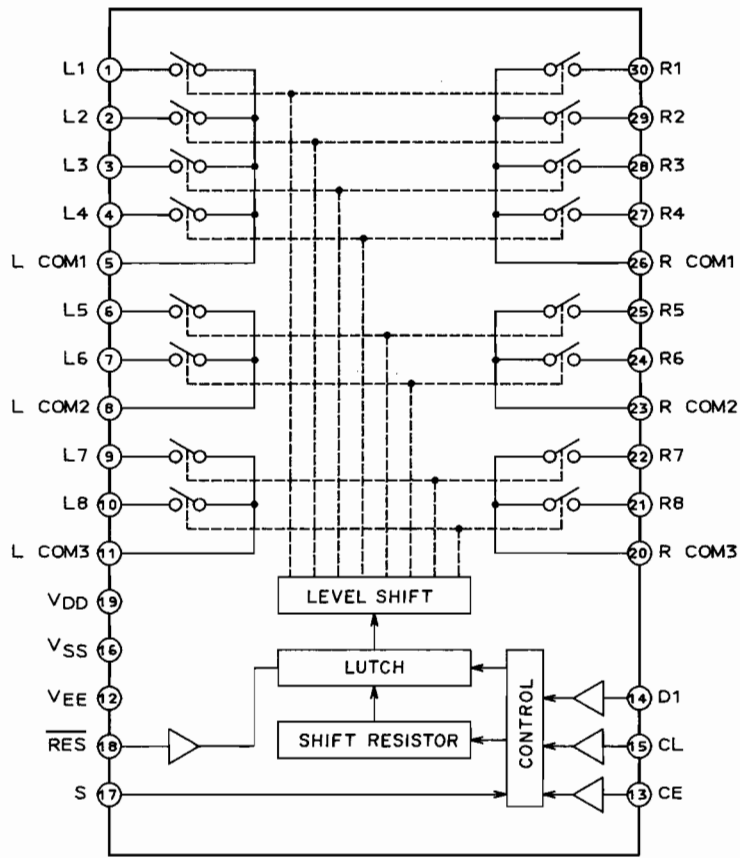


LA1265 (AM/FM Demodulator)

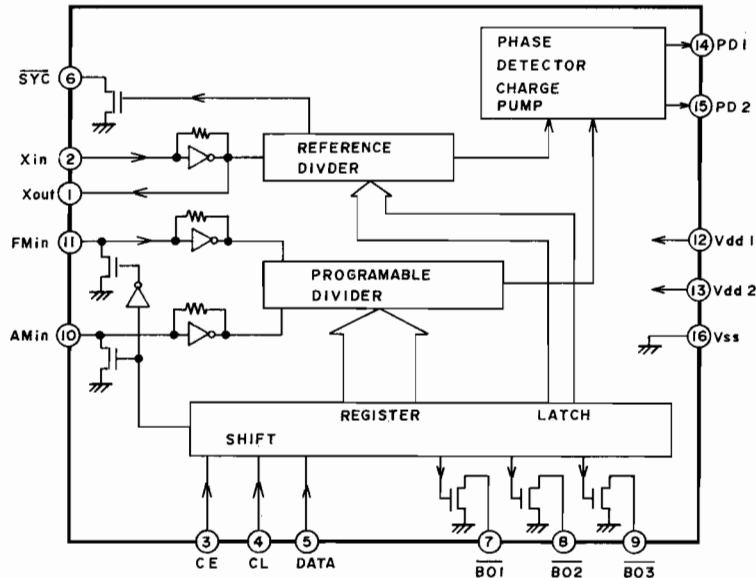
LB1294 (HEX. Driver)



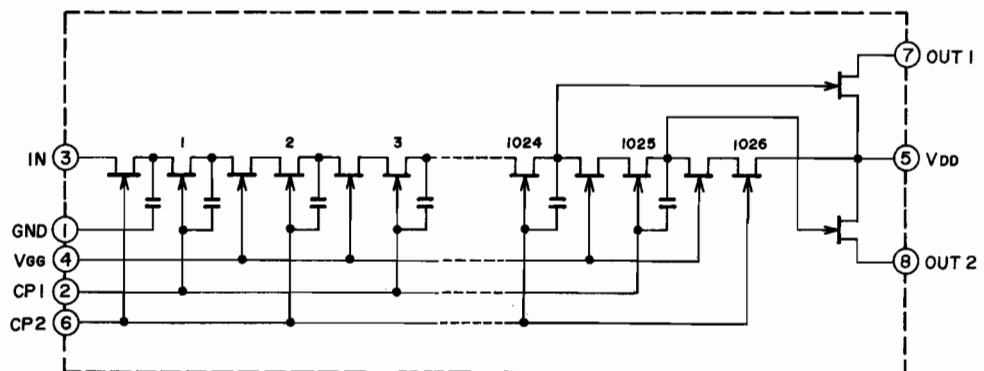
LC7821 (Analogue Function Switch)



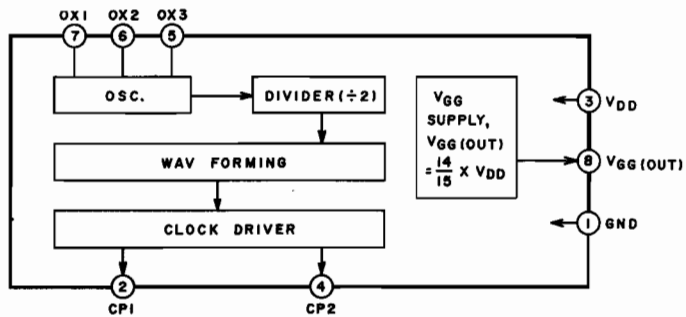
LM7001 (PLL Synthesizer)



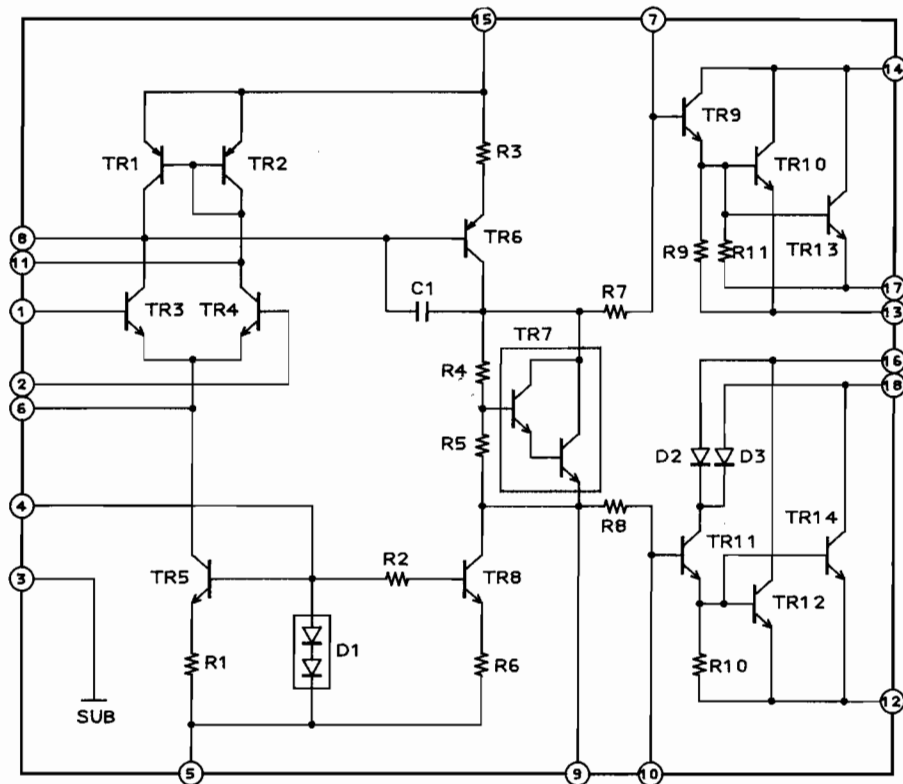
MN3007 (1024 Stage Low Noise BBD)



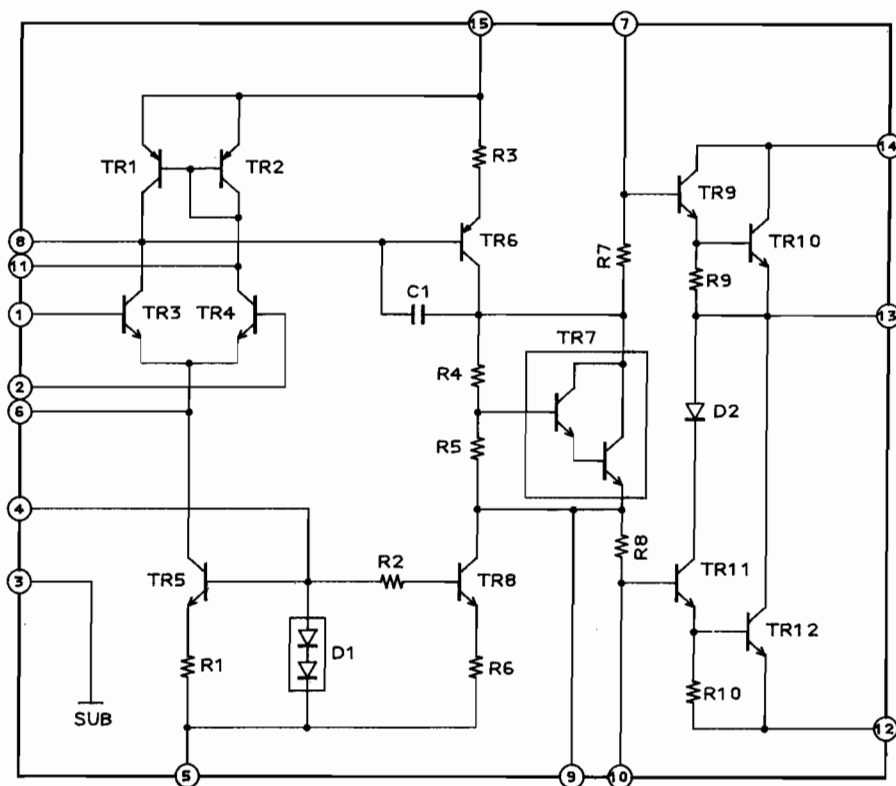
MN3101 (Clock Generator For BBD)

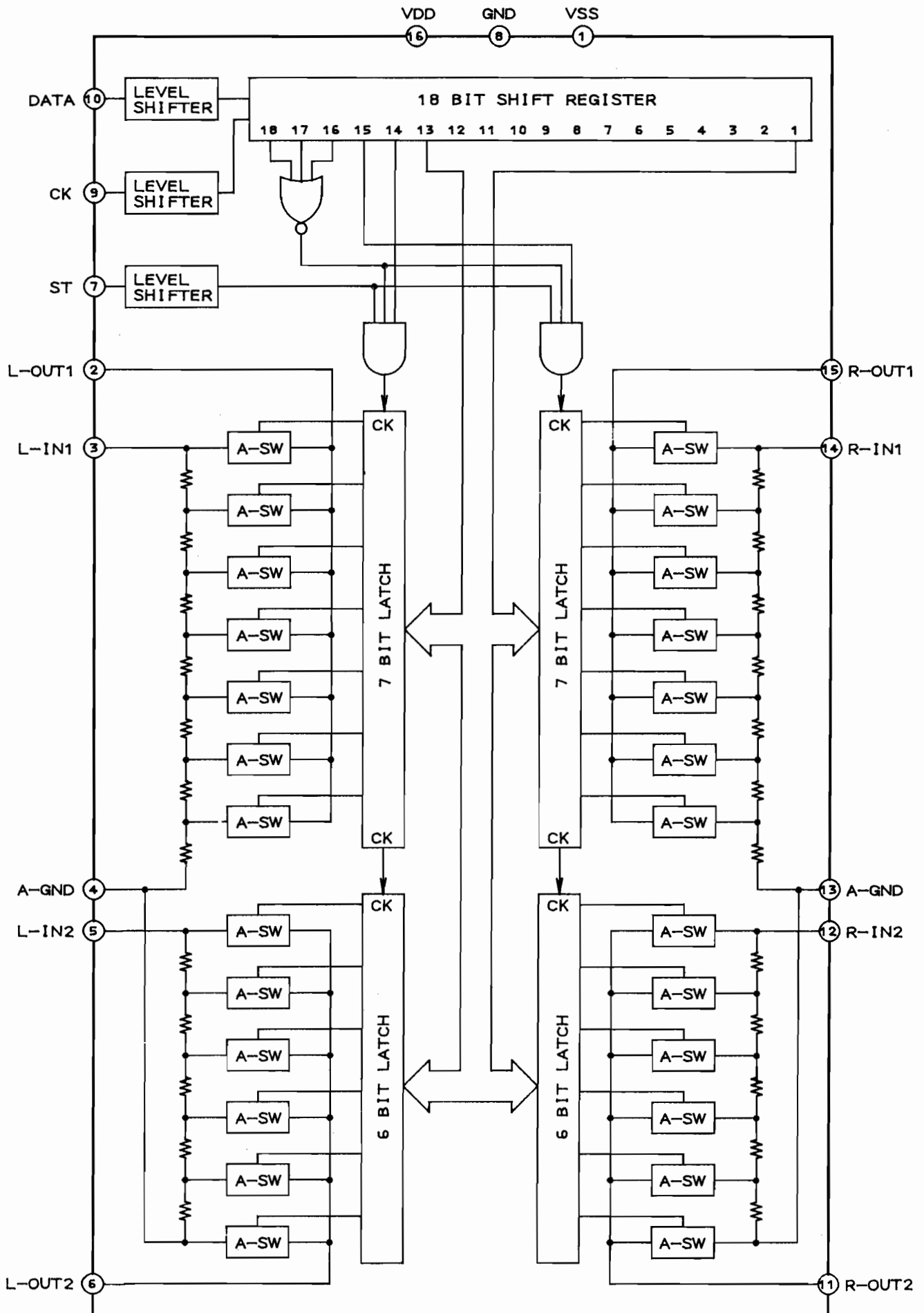


STK4044V (Power Amplifier)

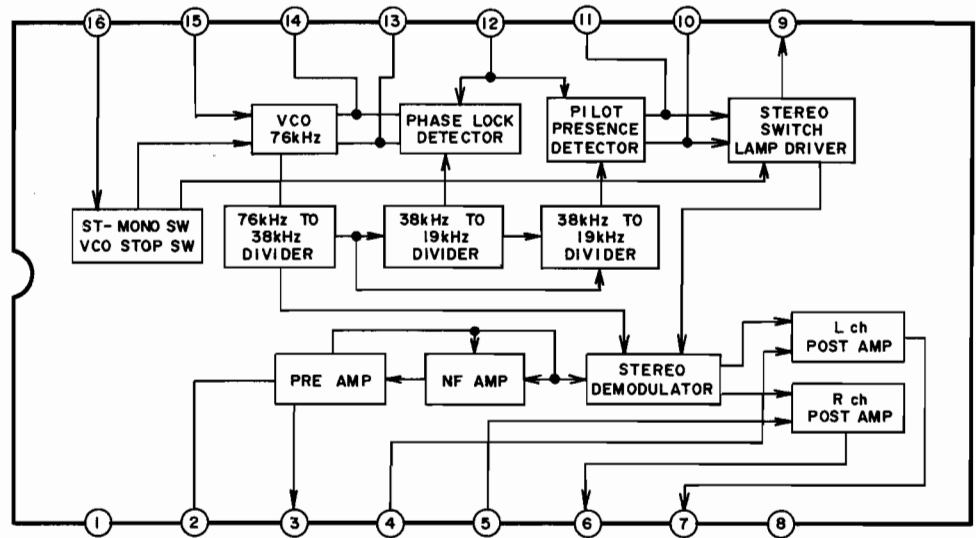


STK4046V (Power Amplifier)

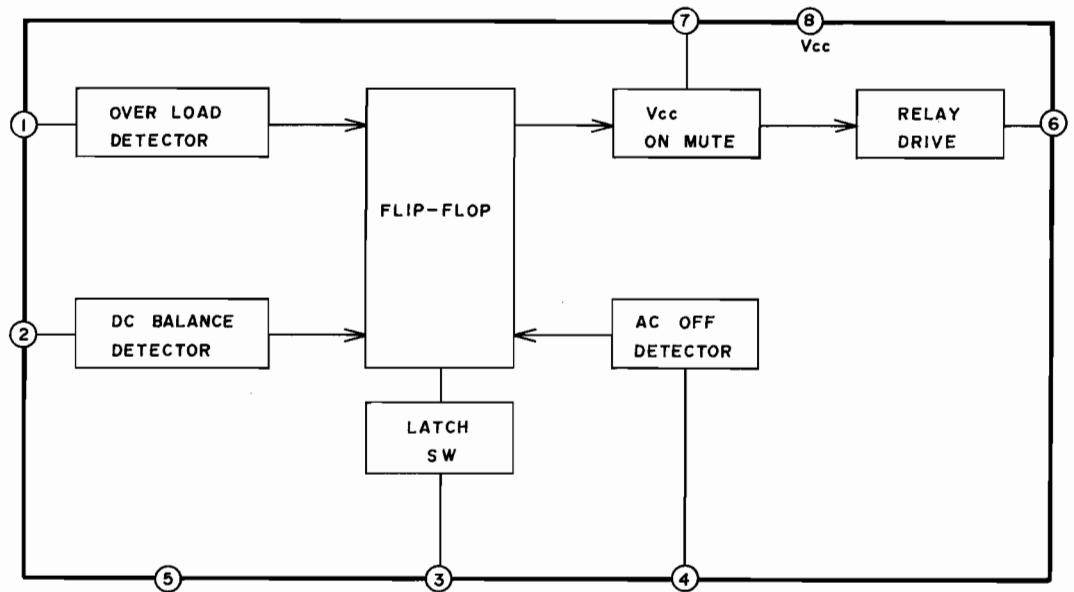




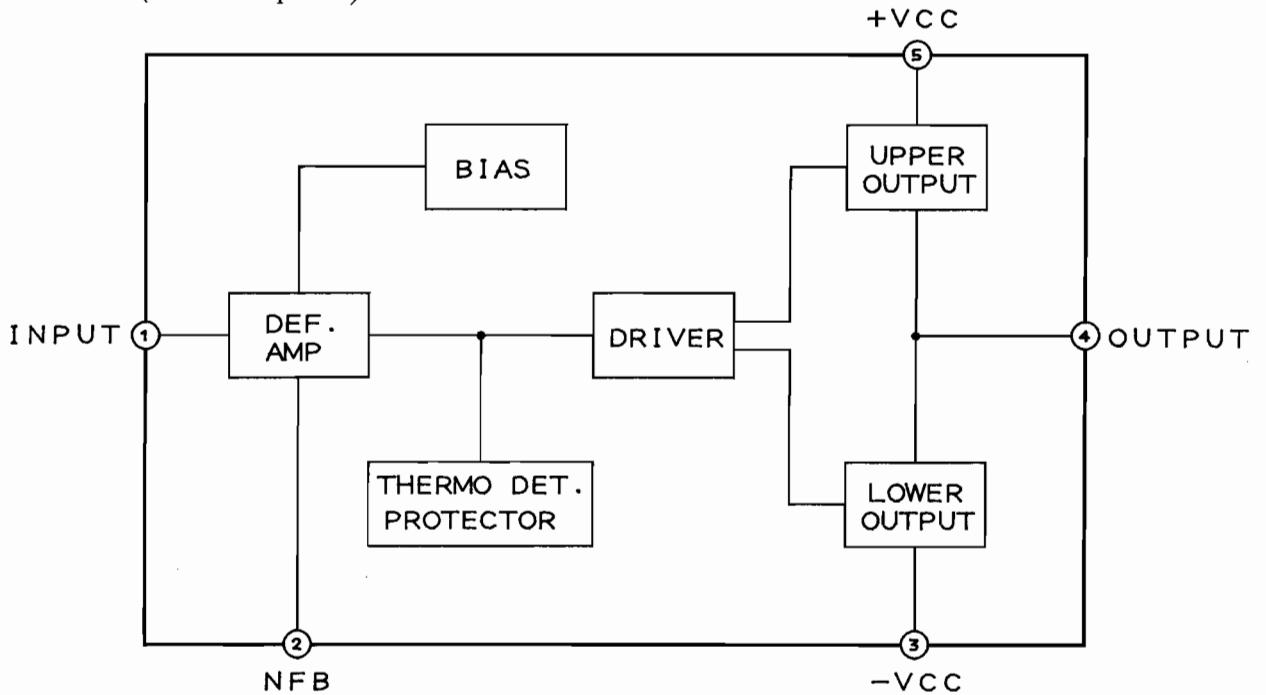
μ PC1235C (Stereo MPX)

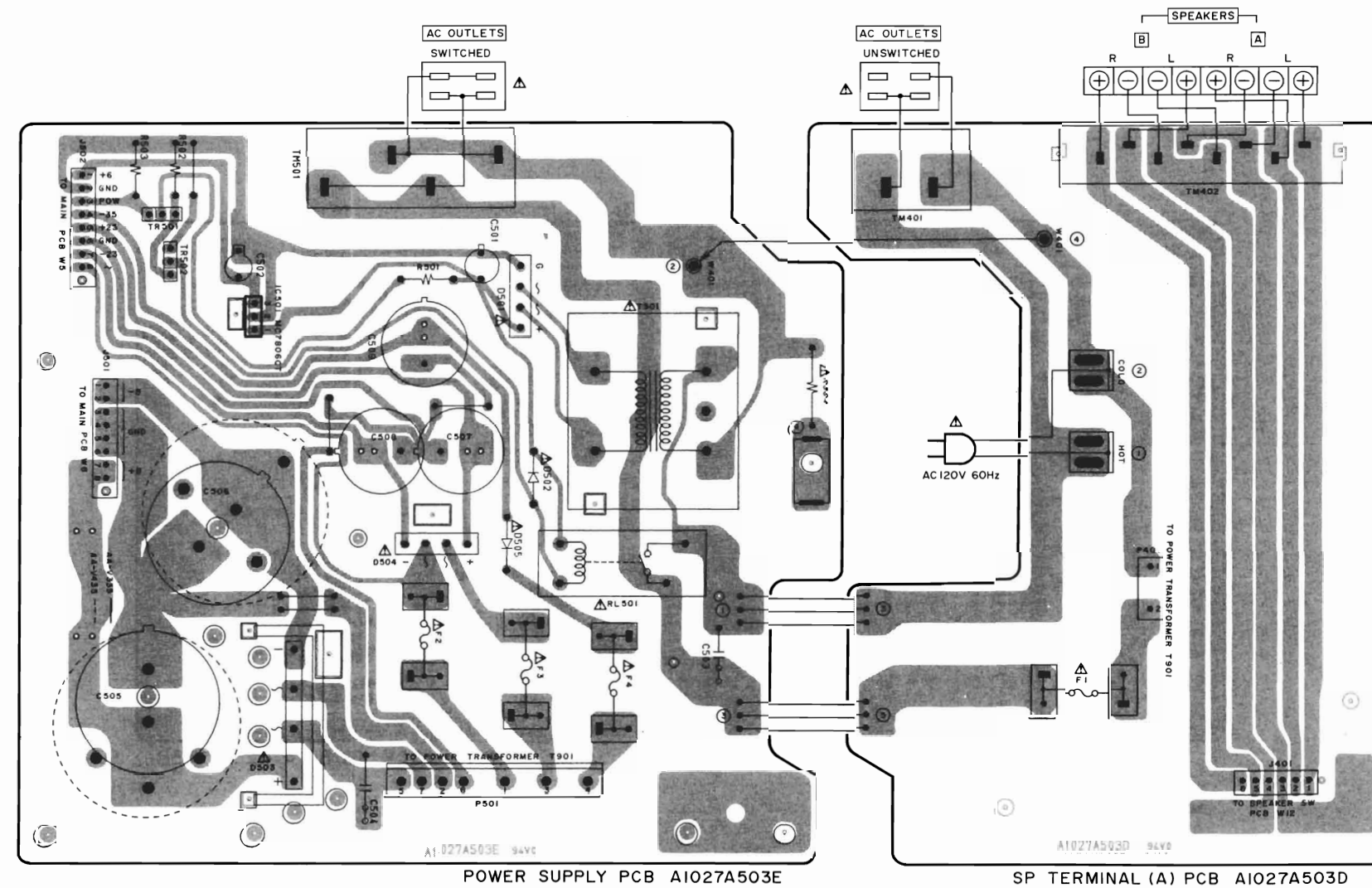
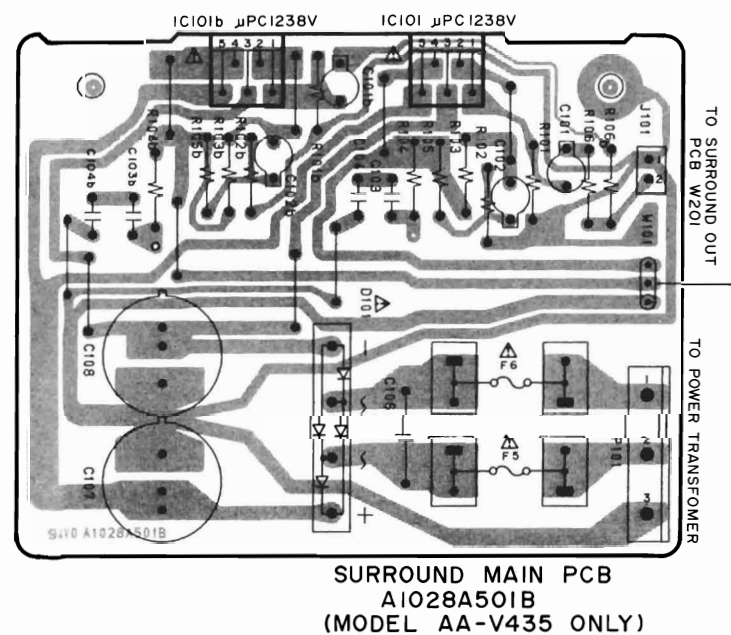
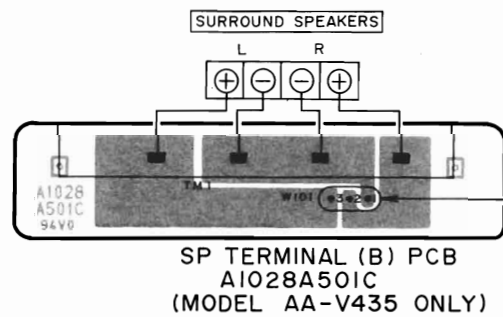
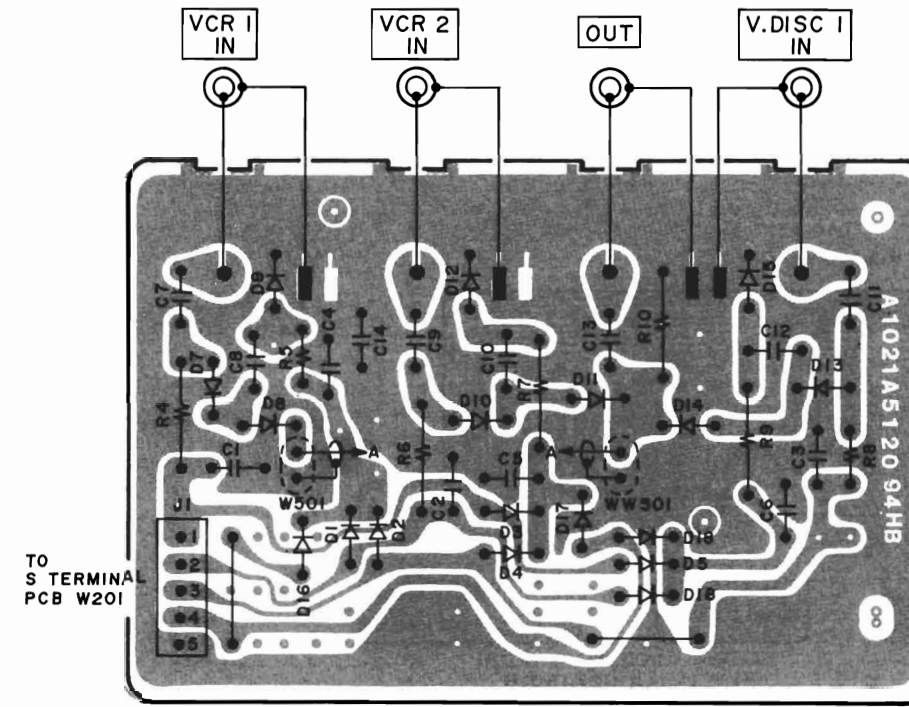
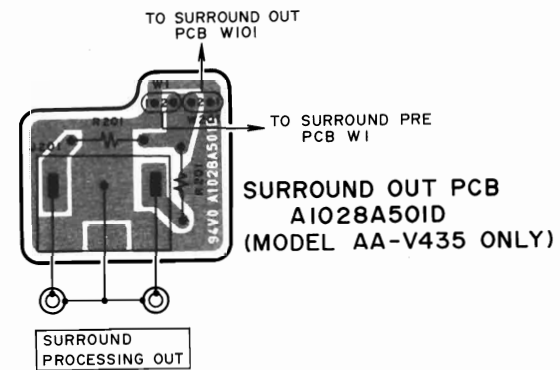


μ PC1237H (Stereo Power Amp Protector)

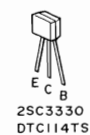


μ PC1238 (Power Amplifier)



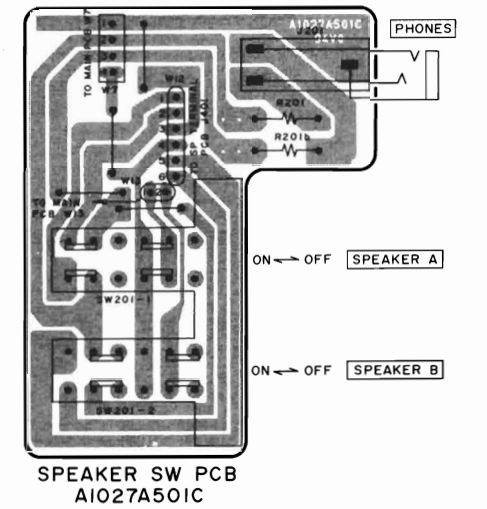
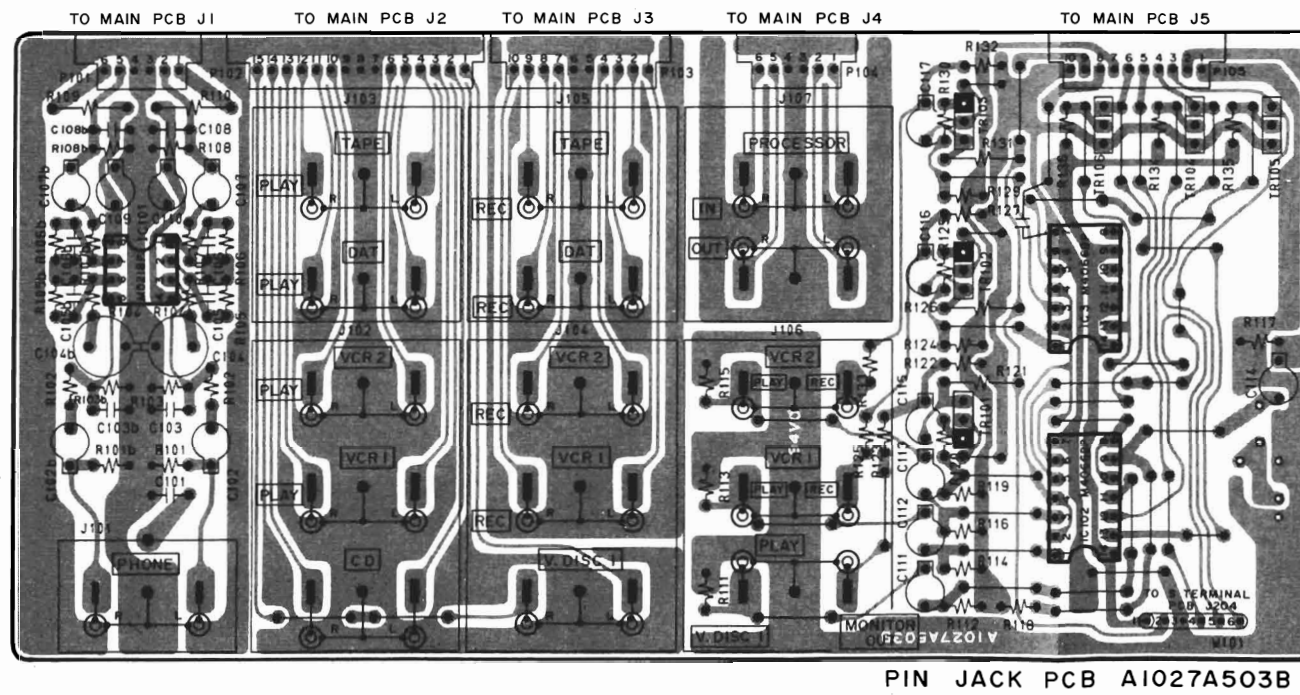
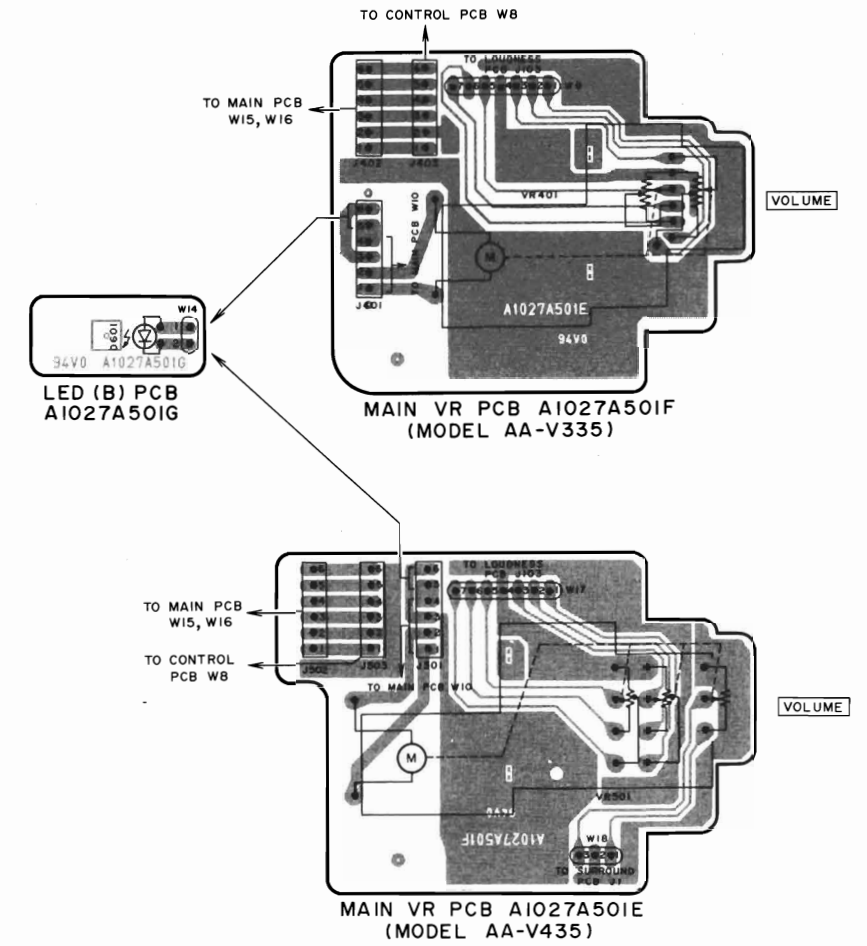
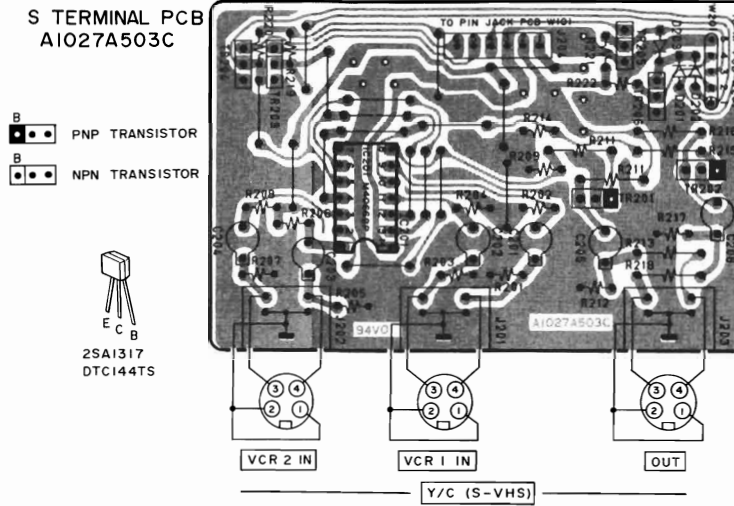
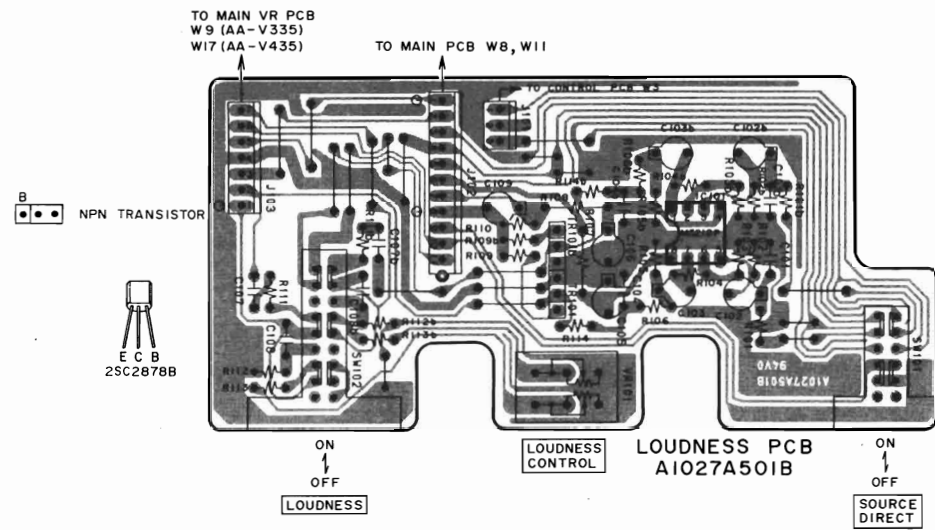


NPN TRANSISTOR



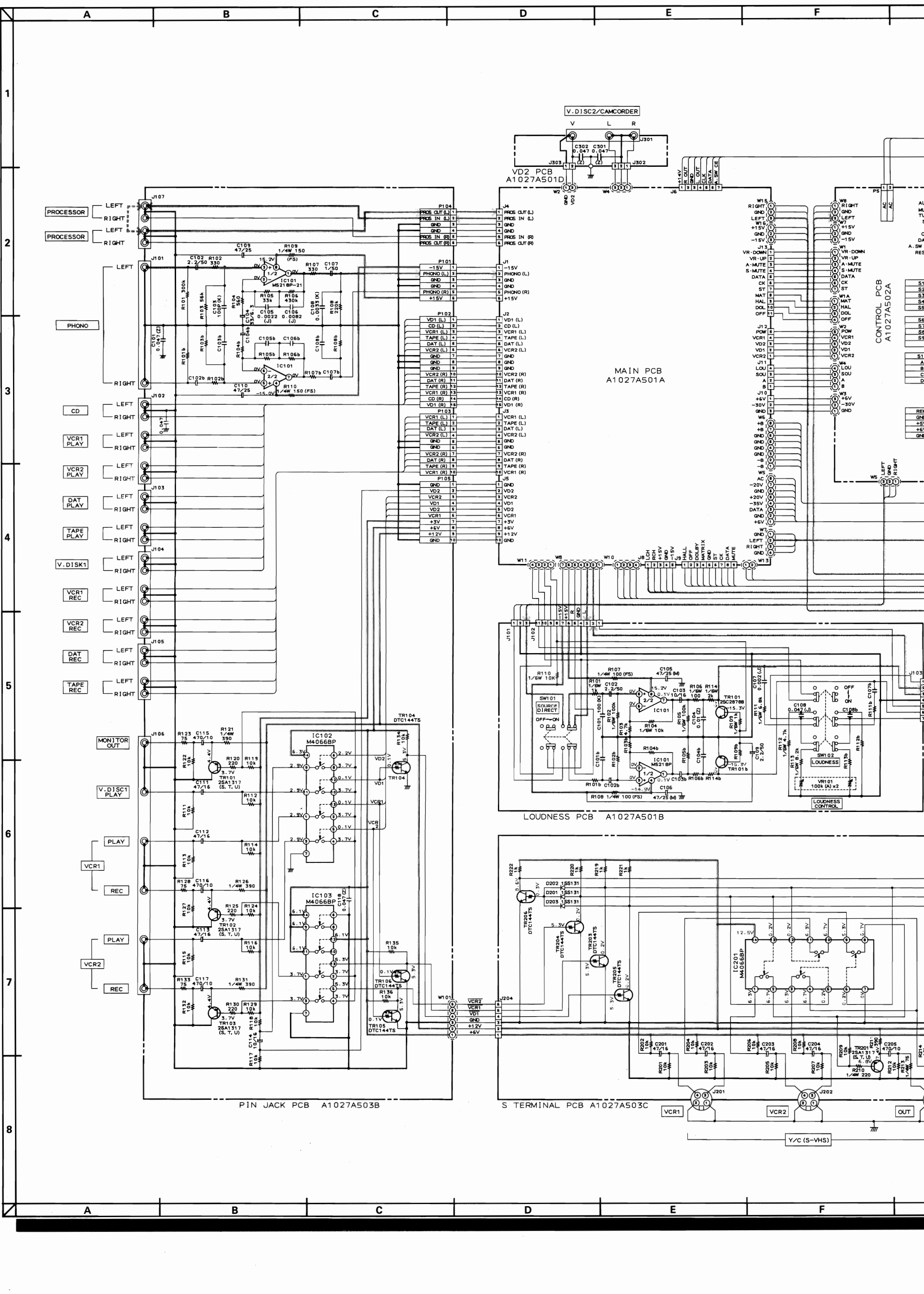
WARNING: INDICATES SAFETY CRITICAL COMPONENTS FOR CONTINUED SAFETY. REPLACE SAFETY CRITICAL COMPONENTS ONLY WITH MANUFACTURER'S RECOMMENDED PARTS

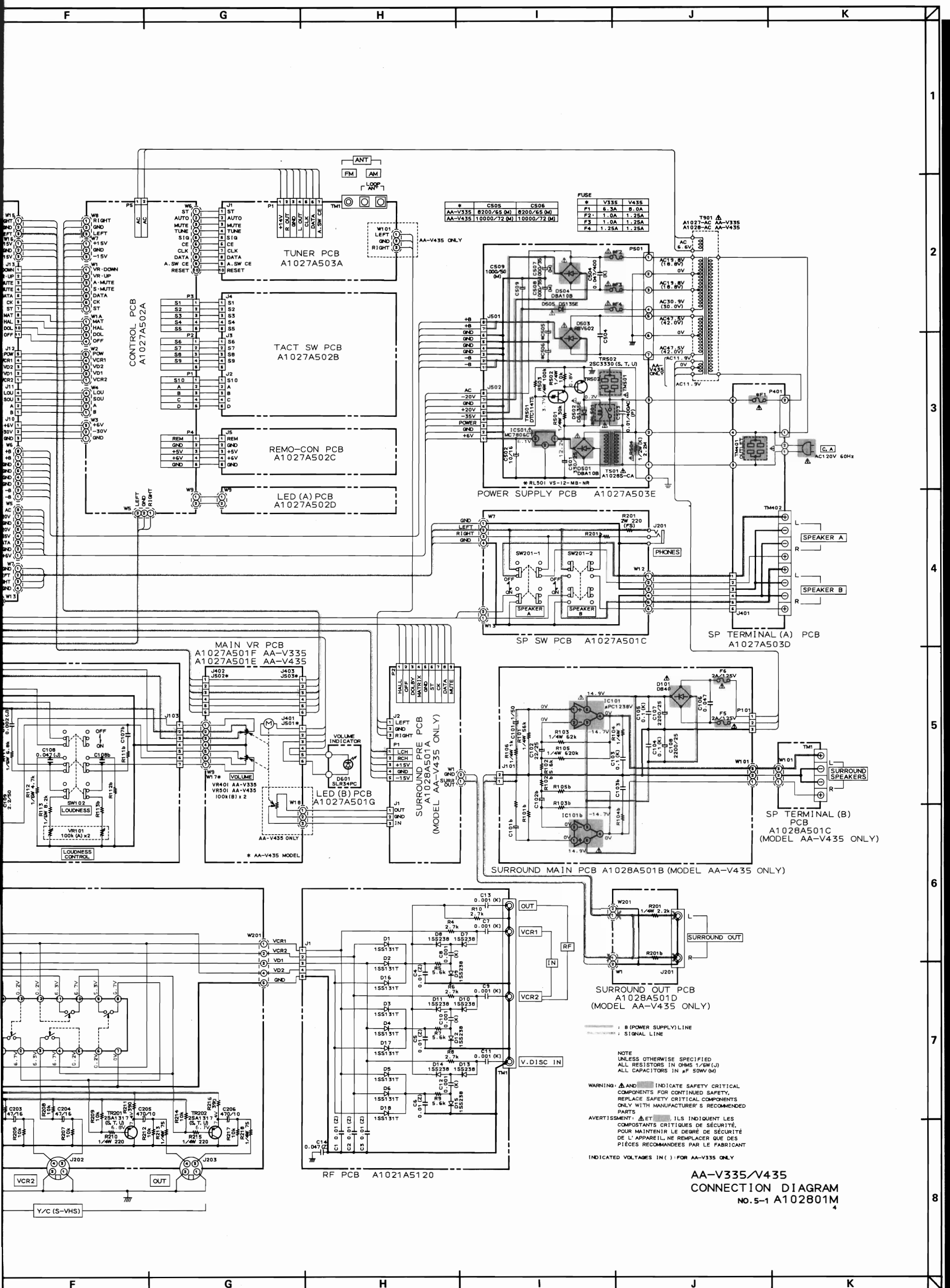
AVERTISSEMENT: IL INDIQUE LES COMPOSANTS CRITIQUES DE SÉCURITÉ. POUR MAINTENIR LE DEGRÉ DE SÉCURITÉ DE L'APPAREIL, NE REMPLACER QUE DES PIÈCES RECOMMANDÉES PAR LE FABRICANT



WARNING: Δ INDICATES SAFETY CRITICAL COMPONENTS FOR CONTINUED SAFETY. REPLACE SAFETY CRITICAL COMPONENTS ONLY WITH MANUFACTURER'S RECOMMENDED PARTS.

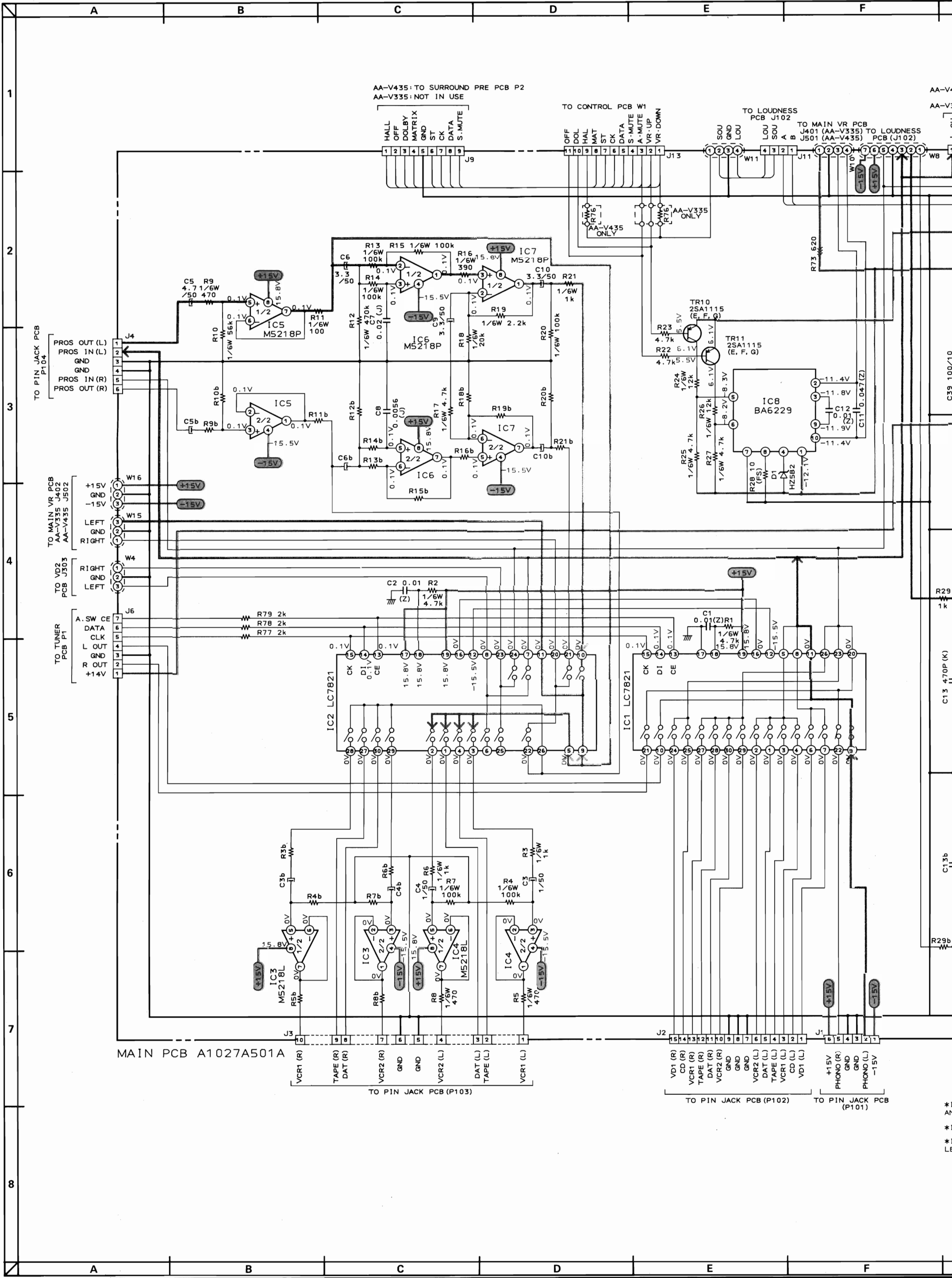
AVERTISSEMENT: Δ IL INDIQUE LES COMPOSANTS CRITIQUES DE SÉCURITÉ. POUR MAINTENIR LE DEGRÉ DE SÉCURITÉ DE L'APPAREIL, NE REMPLACER QUE DES PIÈCES RECOMMANDÉES PAR LE FABRICANT.

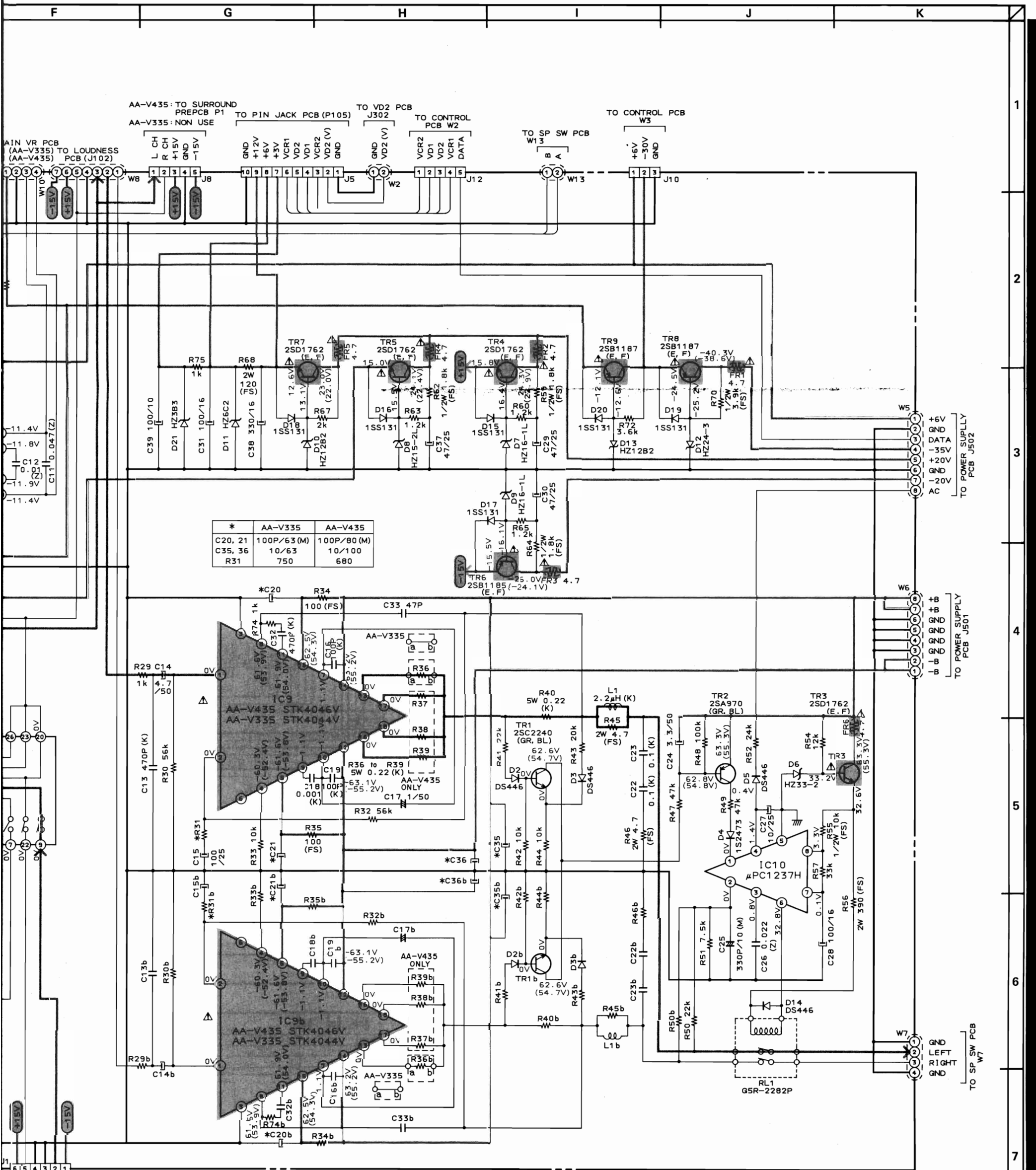




AA-V335/V435
 CONNECTION DIAGRAM
 NO. 5-1 A102801M

1
 2
 3
 4
 5
 6
 7
 8





PHONO (R)
GND
PHONO (L)
-15V

NOTE
UNLESS OTHERWISE SPECIFIED
ALL RESISTORS IN OHMS 1/4W(J)
ALL CAPACITORS IN #F 50WV (M)

*INDICATED VOLTAGES ARE MEASURED IN PHONO MODE
AND VOLUME IS SET TO MINIMUM.

*INDICATED VOLTAGES IN () FOR MODEL AA-V335.

*INDICATED SIGNAL LINE IS IN PHONO MODE AND
LEFT CHANNEL ONLY.

— B (POWER SUPPLY) LINE
— SIGNAL LINE

WARNING: Δ AND \square INDICATE SAFETY CRITICAL
COMPONENTS FOR CONTINUED SAFETY,
REPLACE SAFETY CRITICAL COMPONENTS
ONLY WITH MANUFACTURER'S RECOMMENDED
PARTS

AVERTISSEMENT: Δ ET \square ILS INDIQUENT LES
COMPOSTANTS CRITIQUES DE SÉCURITÉ,
POUR MAINTENIR LE DEGRÉ DE SÉCURITÉ
DE L'APPAREIL, NE REMPLACER QUE DES
PIÈCES RECOMMANDÉES PAR LE FABRICANT

AA-V335/V435
MAIN PCB
SCHEMATIC DIAGRAM
NO. 5-2 A102802M

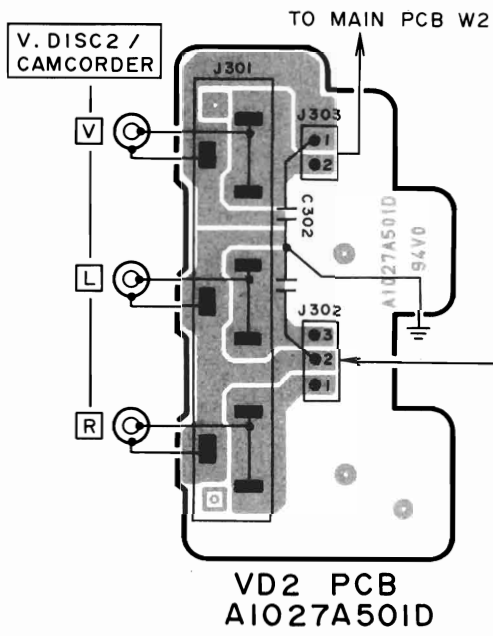
TO PIN JACK PCB (P101)

TO POWER SUPPLY PCB J502
+6V
GND
DATA
-35V
+20V
GND
-20V
AC

TO POWER SUPPLY PCB J501
+6
+5
+4
+3
+2
+1
0
-1
-2
-3
-4
-5

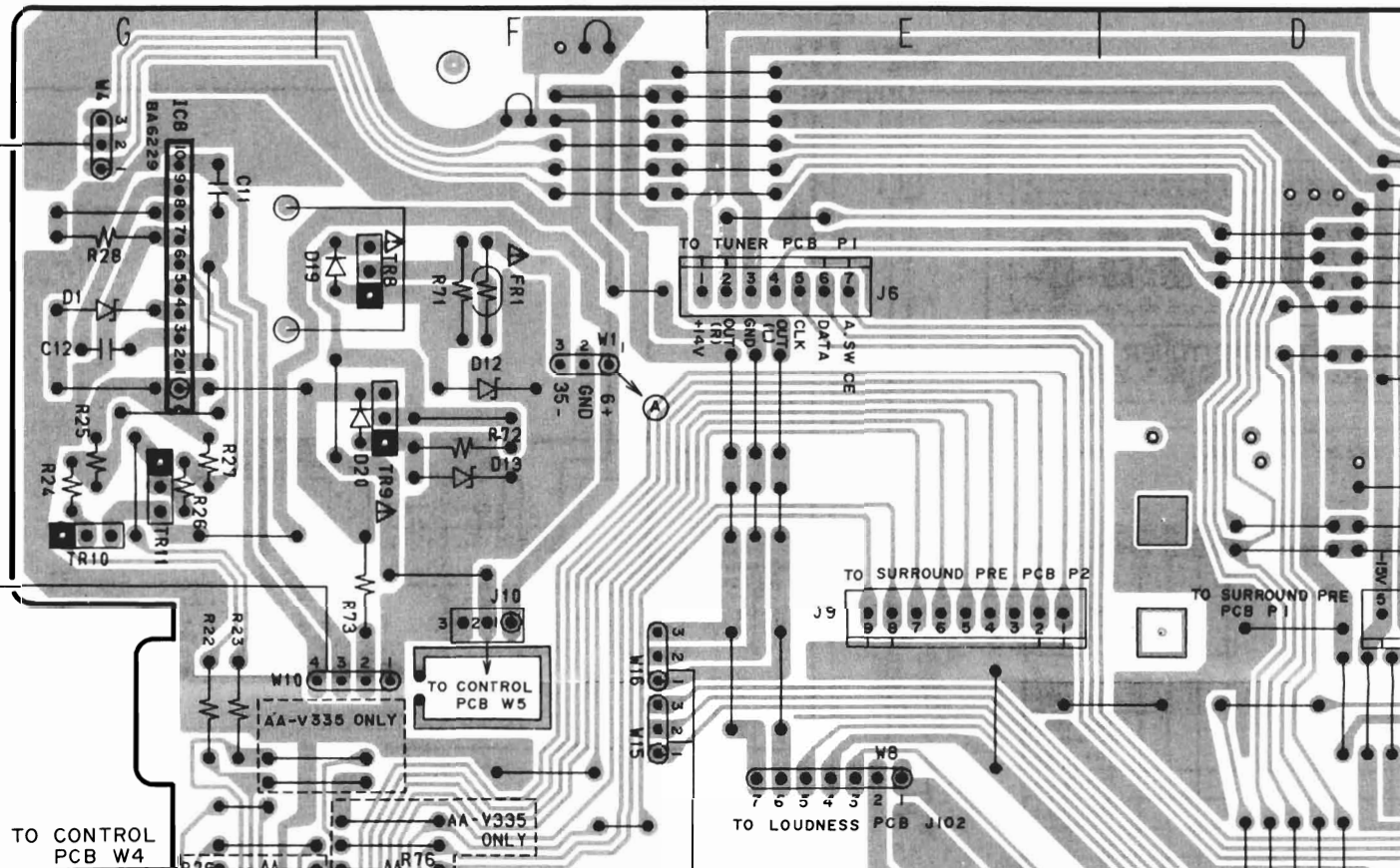
TO SP SW PCB
GND
LEFT
RIGHT
GND

1
2
3
4
5
6
7
8



VD2 PCB
A1027A501D

TO MAIN VR PCB
J401(AA-V335)
J501(AA-V435)



TO CONTROL PCB W4

TO MAIN VR PCB
J402 (AA-V335)
J502 (AA-V435)

LOCATION OF COMPONENTS

ICS	TRANSISTORS
IC1.....A3	TR1.....F6
IC2.....C3	TR1b.....D6
IC3.....A4	TR2.....E6
IC4.....A4	TR3.....E6
IC5.....B5	TR4.....B5
IC6.....B1	TR5.....B6
IC7.....C1	TR6.....B6
IC8.....G1	TR7.....A6
IC9.....F5	TR8.....F1
IC9b.....C5	TR9.....F2
IC10.....E6	TR10.....G2
	TR11.....G2

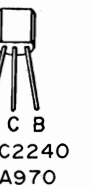
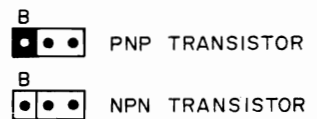
CONNECTORS

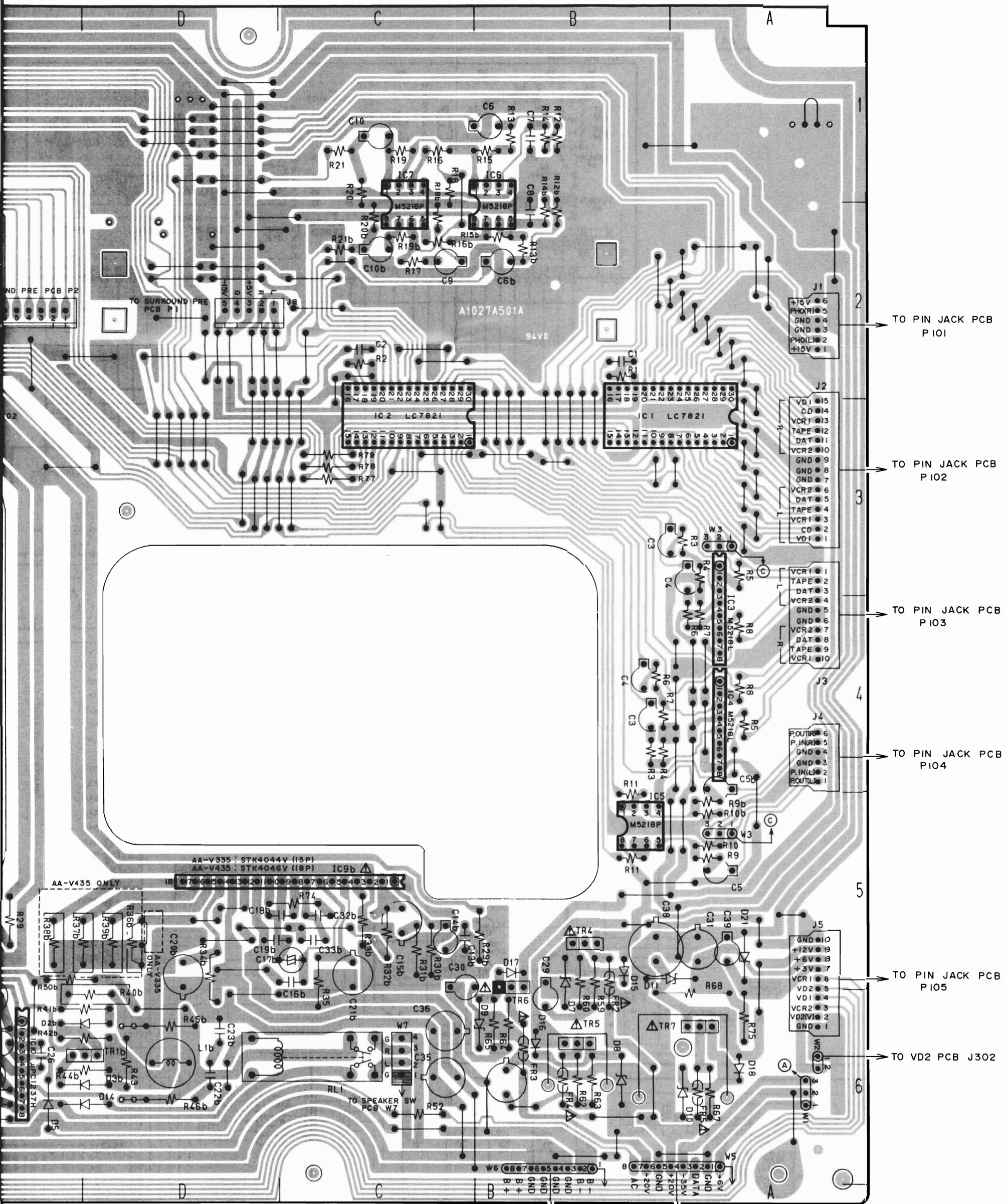
J1.....A2	W2.....A6
J2.....A3	W4.....G1
J3.....A4	W5.....A6
J4.....A4	W6.....B6
J5.....A5	W7.....C6
J6.....E1	W8.....E2
J8.....D2	W10.....F2
J9.....E2	W11.....F3
J10.....F2	W13.....G6
J11.....G3	W15.....F2
J12.....G6	W16.....F2
J13.....G6	

TO CONTROL PCB
W1(AA-V335)
W1A(AA-V435)

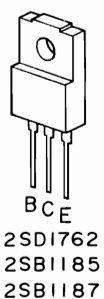
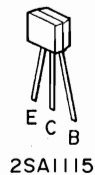
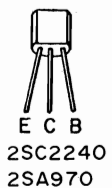
TO CONTROL PCB W2

MAIN PCB A1027A501A





P TRANSISTOR
N TRANSISTOR



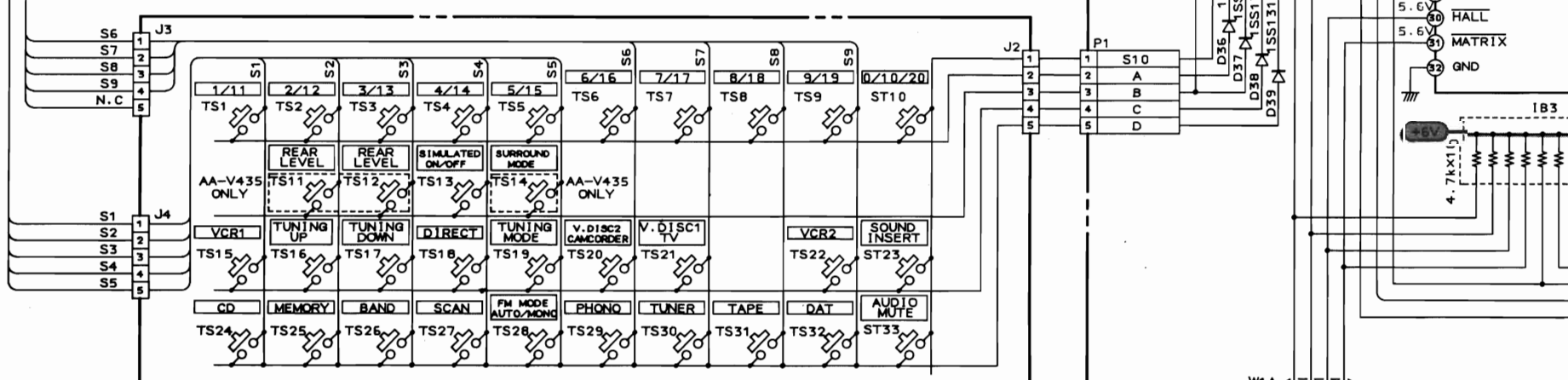
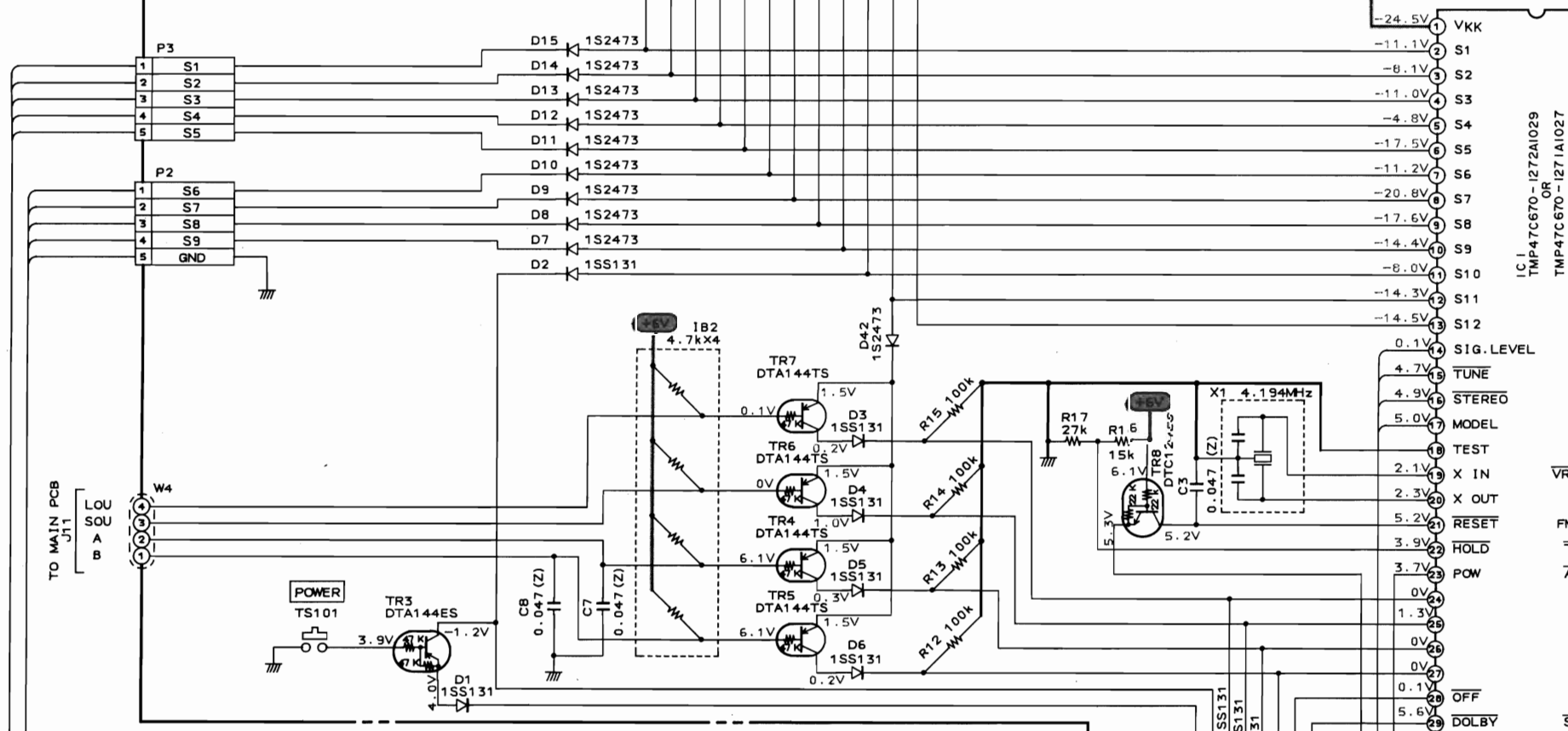
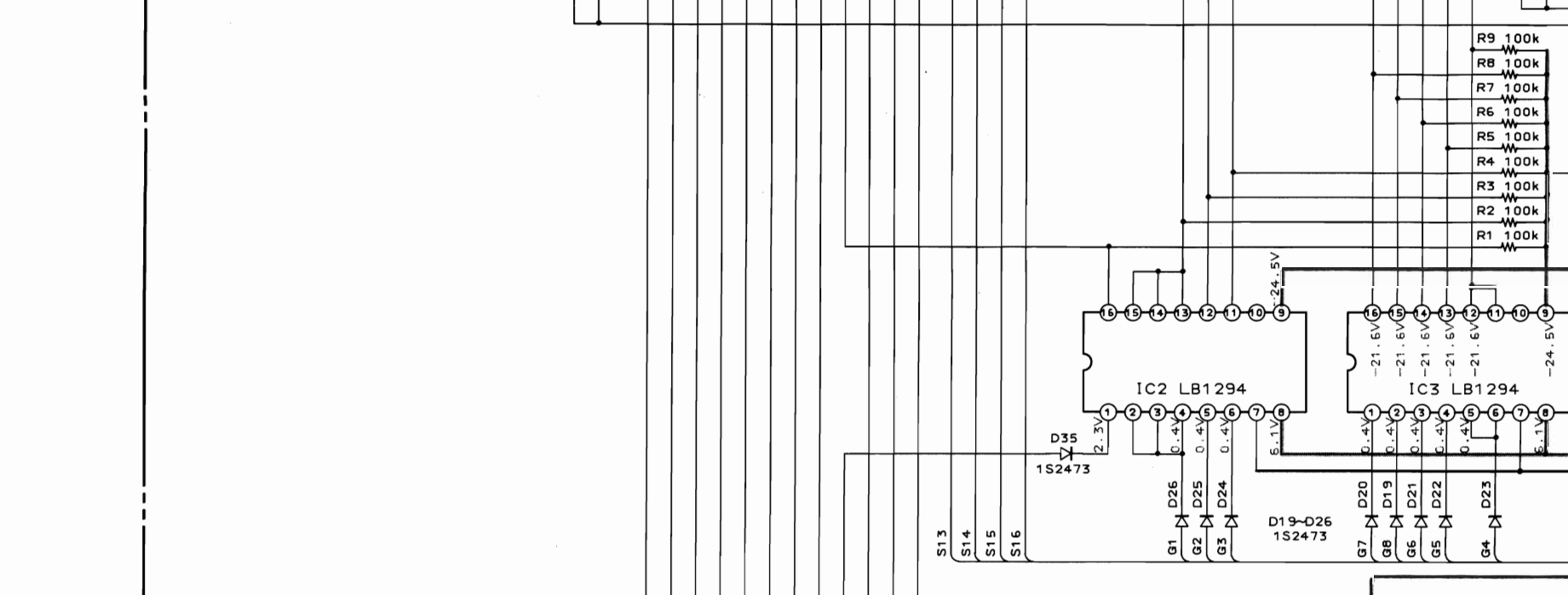
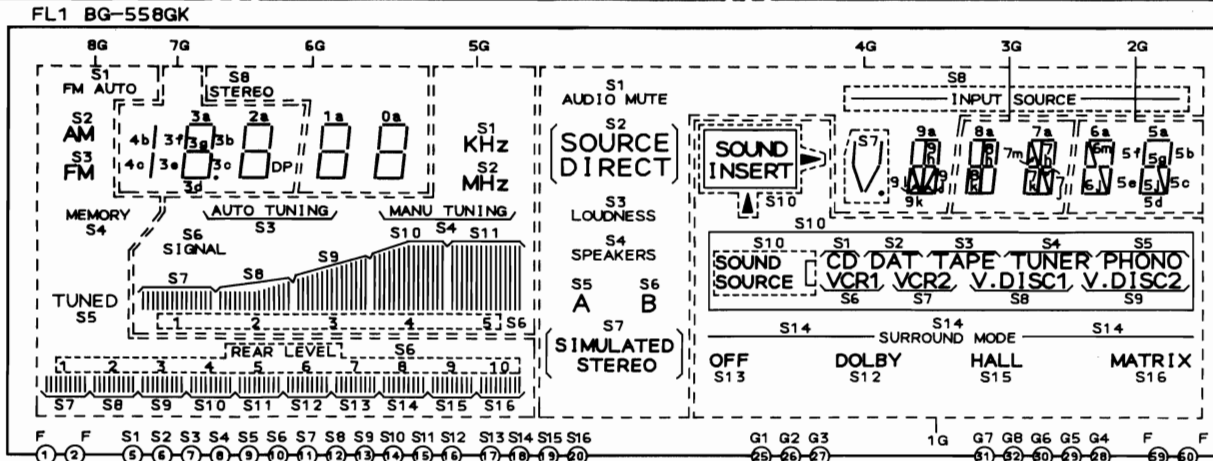
TO POWER SUPPLY
PCB J501

TO POWER SUPPLY
PCB J502

WARNING: Δ INDICATES SAFETY CRITICAL COMPONENTS FOR CONTINUED SAFETY. REPLACE SAFETY CRITICAL COMPONENTS ONLY WITH MANUFACTURER'S RECOMMENDED PARTS

AVERTISSEMENT: Δ IL INDIQUE LES COMPOSANTS CRITIQUES DE SÉCURITÉ. POUR MAINTENIR LE DEGRÉ DE SÉCURITÉ DE L'APPAREIL, NE REMPLACER QUE DES PIÈCES RECOMMANDÉES PAR LE FABRICANT

CONTROL PCB A1027A502A



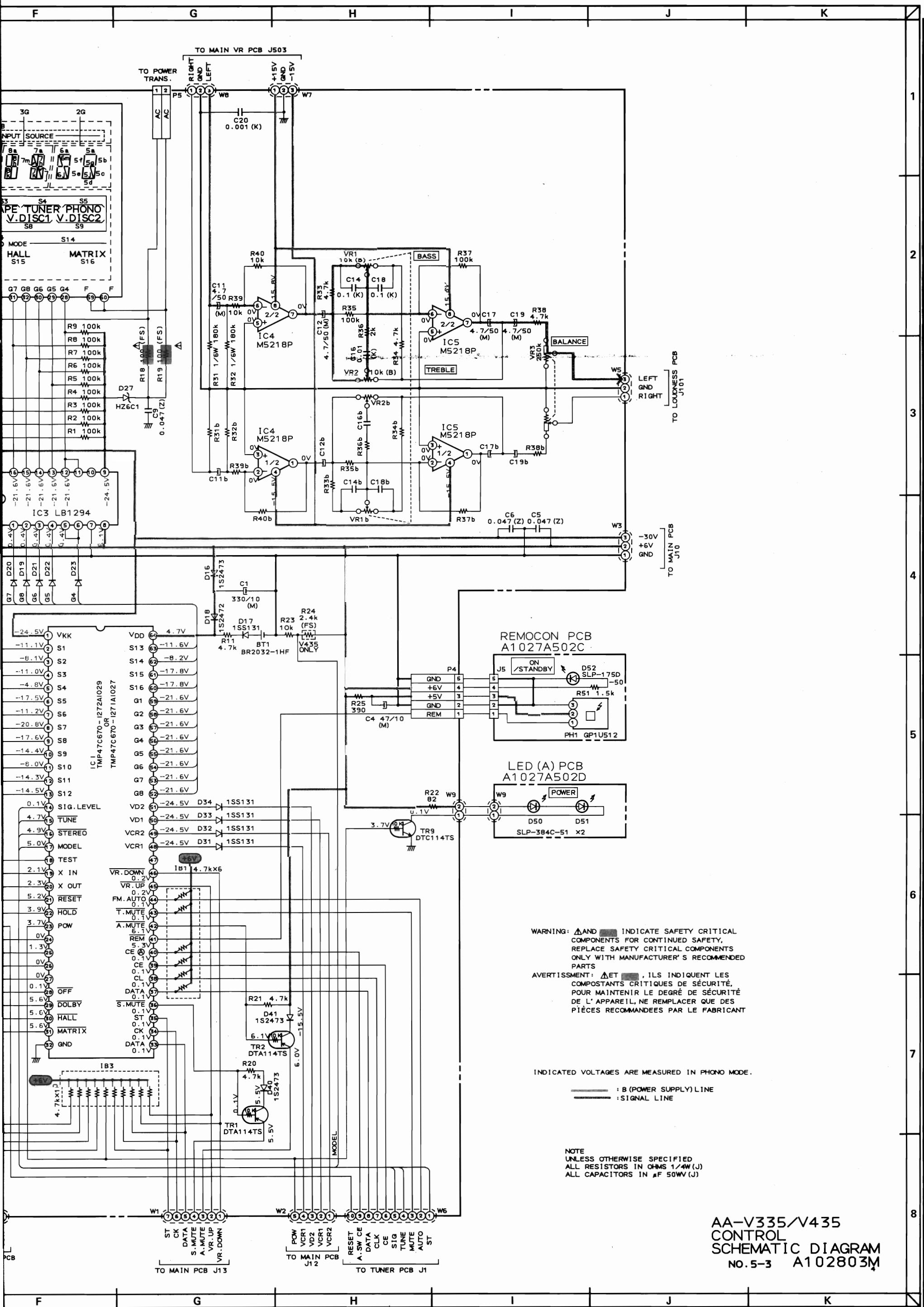
TACT SW PCB A1027A502B



1
2
3
4
5
6
7
8

A B C D E F

A B C D E F



WARNING: Δ AND \blacksquare INDICATE SAFETY CRITICAL COMPONENTS FOR CONTINUED SAFETY, REPLACE SAFETY CRITICAL COMPONENTS ONLY WITH MANUFACTURER'S RECOMMENDED PARTS

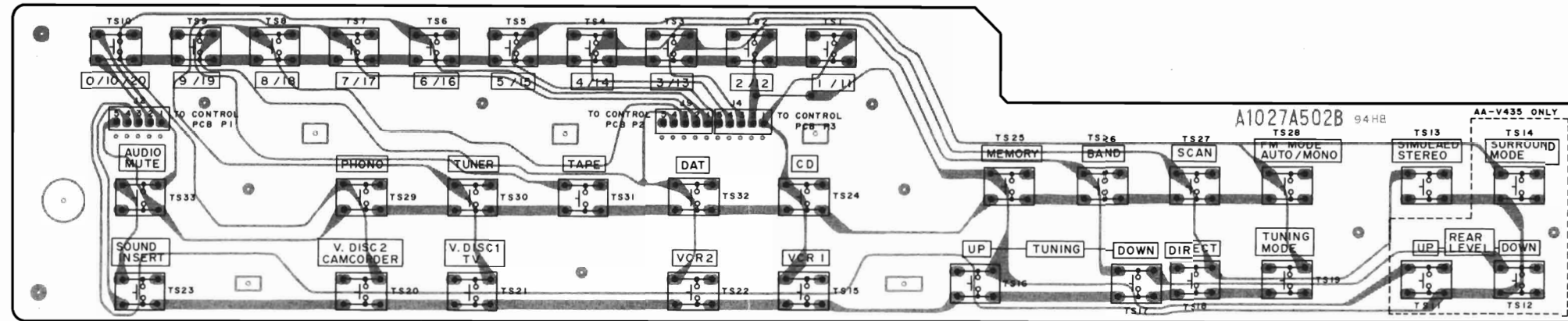
AVERTISSEMENT: Δ ET \blacksquare ILS INDIQUENT LES COMPOSANTS CRITIQUES DE SÉCURITÉ, POUR MAINTENIR LE DEGRÉ DE SÉCURITÉ DE L'APPAREIL, NE REMPLACER QUE DES PIÈCES RECOMMANDÉES PAR LE FABRICANT

INDICATED VOLTAGES ARE MEASURED IN PHONO MODE.

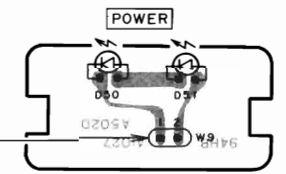
— : B (POWER SUPPLY) LINE
 — : SIGNAL LINE

NOTE
 UNLESS OTHERWISE SPECIFIED
 ALL RESISTORS IN OHMS 1/4W (J)
 ALL CAPACITORS IN μ F 50WV (J)

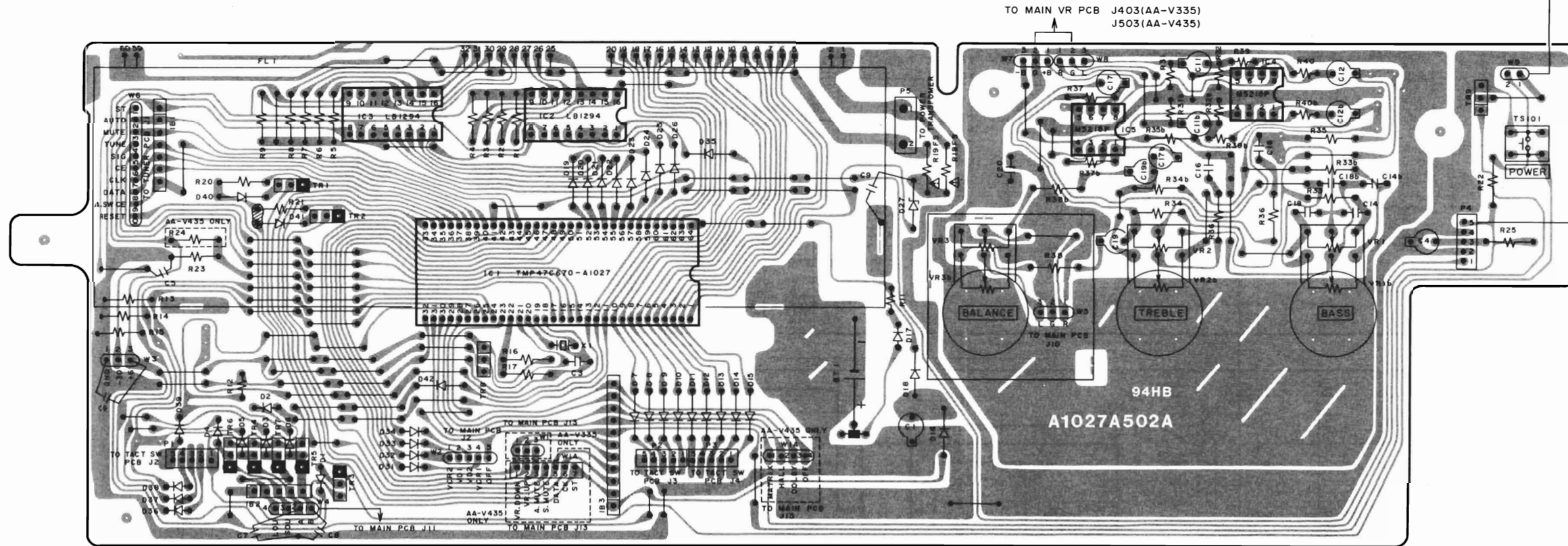
AA-V335/V435
 CONTROL
 SCHEMATIC DIAGRAM
 NO. 5-3 A102803M



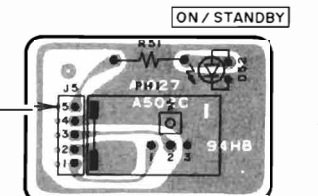
TACT SW PCB A1027A502B



LED (A) PCB V1027A502D

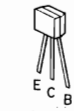


CONTROL PCB A1027A502A



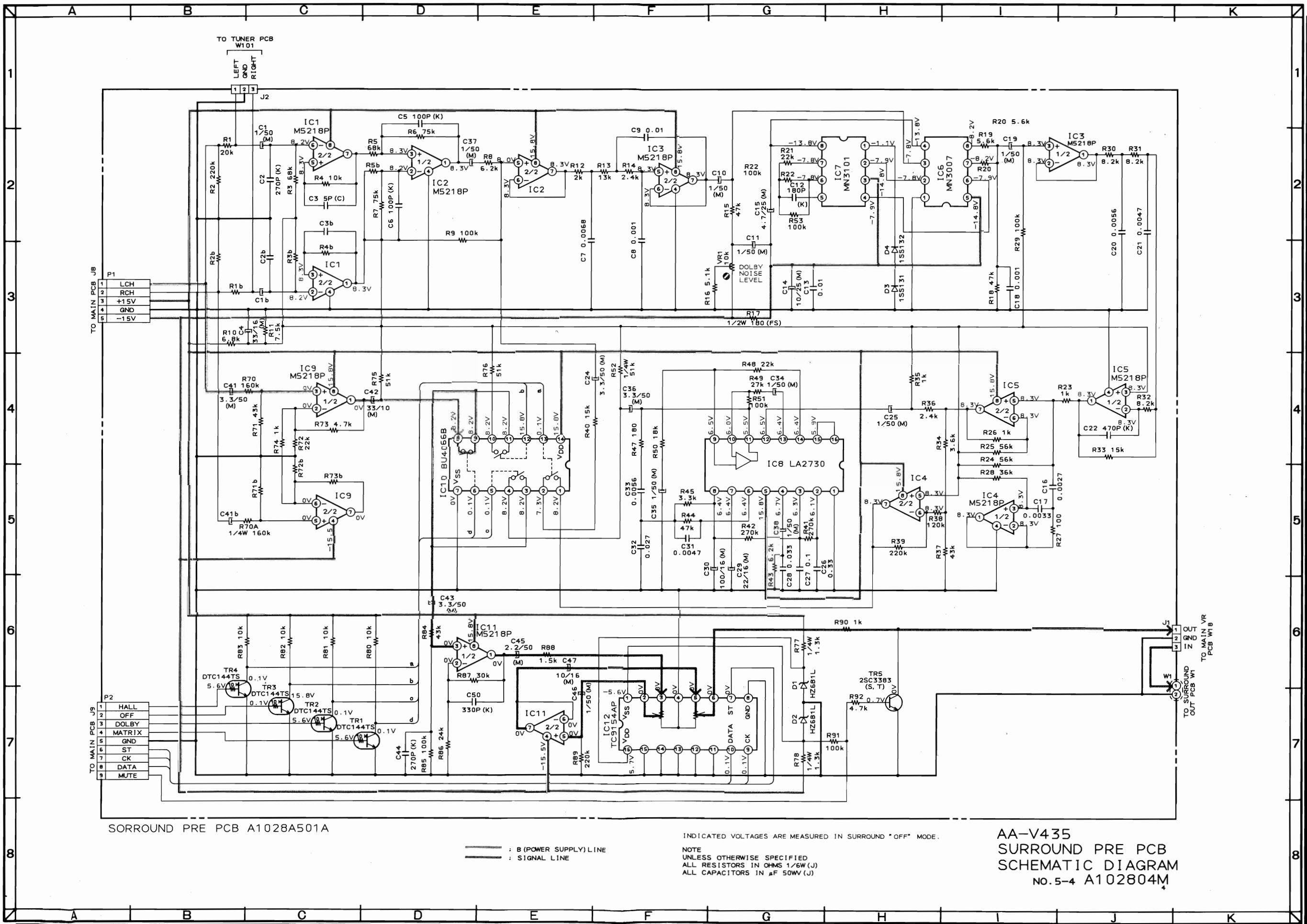
REMOTE CONTROL PCB A1027A502C

PNP TRANSISTOR
 NPN TRANSISTOR



DTA144TS
 DTA144ES
 DTA114TS
 DTC114TS
 DTC124ES

WARNING: INDICATES SAFETY CRITICAL COMPONENTS FOR CONTINUED SAFETY. REPLACE SAFETY CRITICAL COMPONENTS ONLY WITH MANUFACTURER'S RECOMMENDED PARTS.
 AVERTISSEMENT: INDIQUE LES COMPOSANTS CRITIQUES DE SÉCURITÉ. POUR MAINTENIR LE DEGRÉ DE SÉCURITÉ DE L'APPAREIL, NE REMPLACER QUE DES PIÈCES RECOMMANDÉES PAR LE FABRICANT.

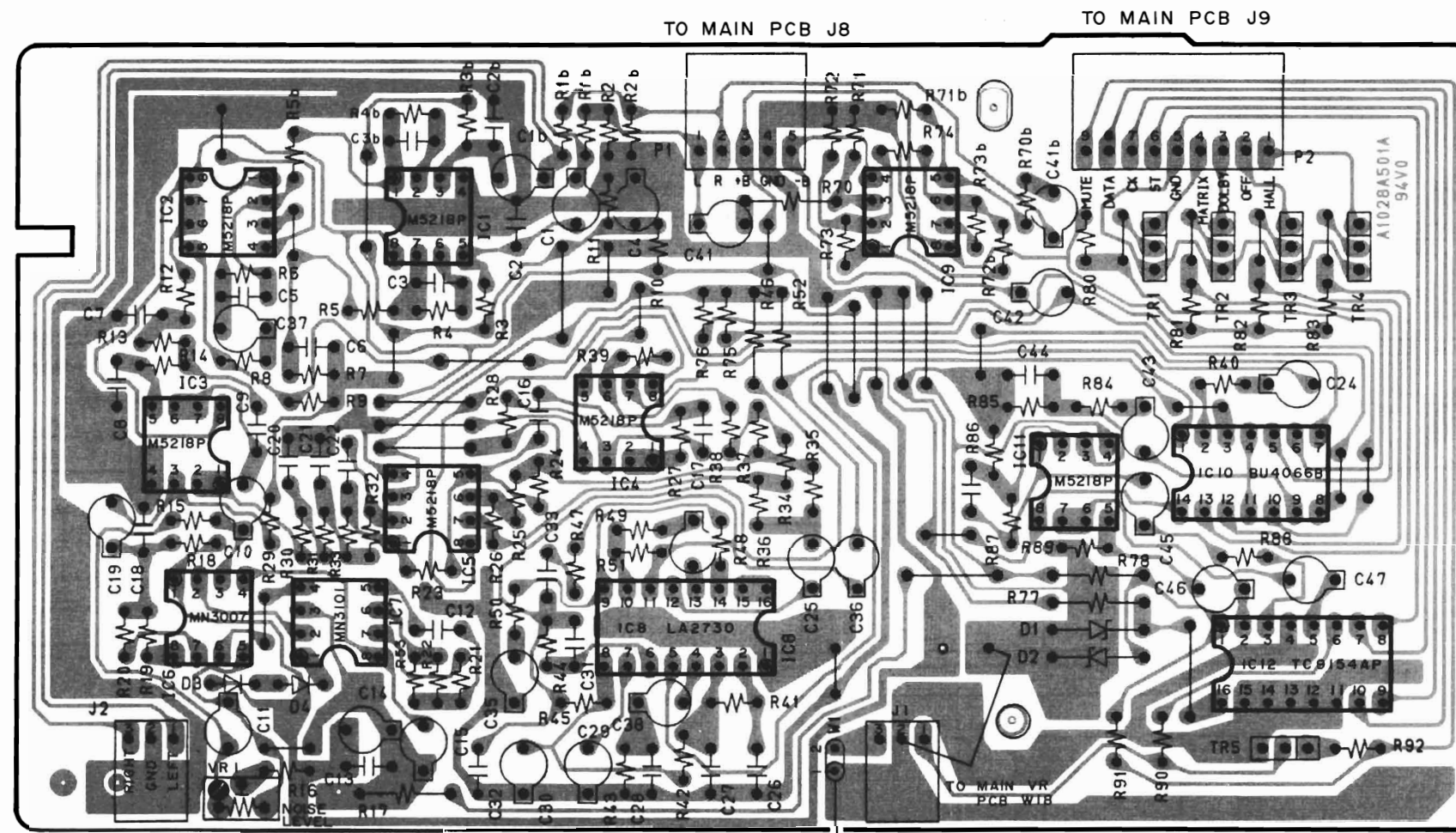


SORROUND PRE PCB A1028A501A

— : B (POWER SUPPLY) LINE
 — : SIGNAL LINE

INDICATED VOLTAGES ARE MEASURED IN SURROUND "OFF" MODE.
 NOTE
 UNLESS OTHERWISE SPECIFIED
 ALL RESISTORS IN OHMS 1/6W(J)
 ALL CAPACITORS IN μ F 50W(J)

AA-V435
 SURROUND PRE PCB
 SCHEMATIC DIAGRAM
 NO.5-4 A102804M

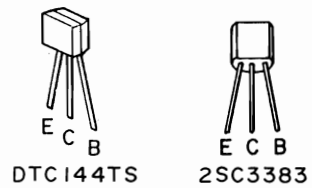


TO TUNER PCB
W101

TO SURROUND OUT
PCB W1

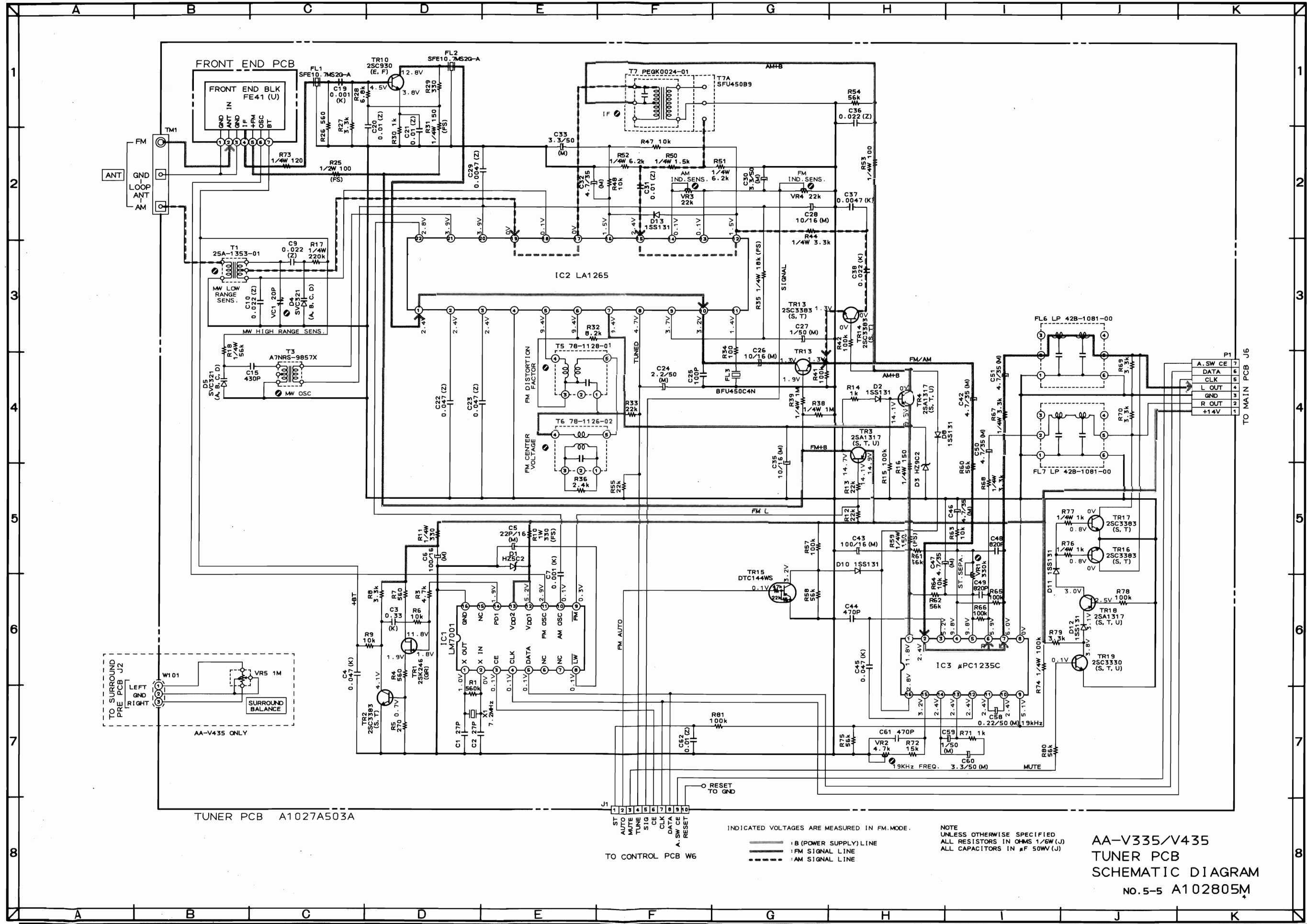
SURROUND PRE PCB
A1028A501A
(MODEL AA-V435 ONLY)

B
● ● ● NPN TRANSISTOR



WARNING: \triangle INDICATES SAFETY CRITICAL COMPONENTS FOR CONTINUED SAFETY. REPLACE SAFETY CRITICAL COMPONENTS ONLY WITH MANUFACTURER'S RECOMMENDED PARTS

AVERTISSEMENT: \triangle IL INDIQUE LES COMPOSANTS CRITIQUES DE SÉCURITÉ. POUR MAINTENIR LE DEGRÉ DE SÉCURITÉ DE L'APPAREIL, NE REMPLACER QUE DES PIÈCES RECOMMANDÉES PAR LE FABRICANT



TUNER PCB A1027A503A

TO CONTROL PCB W6

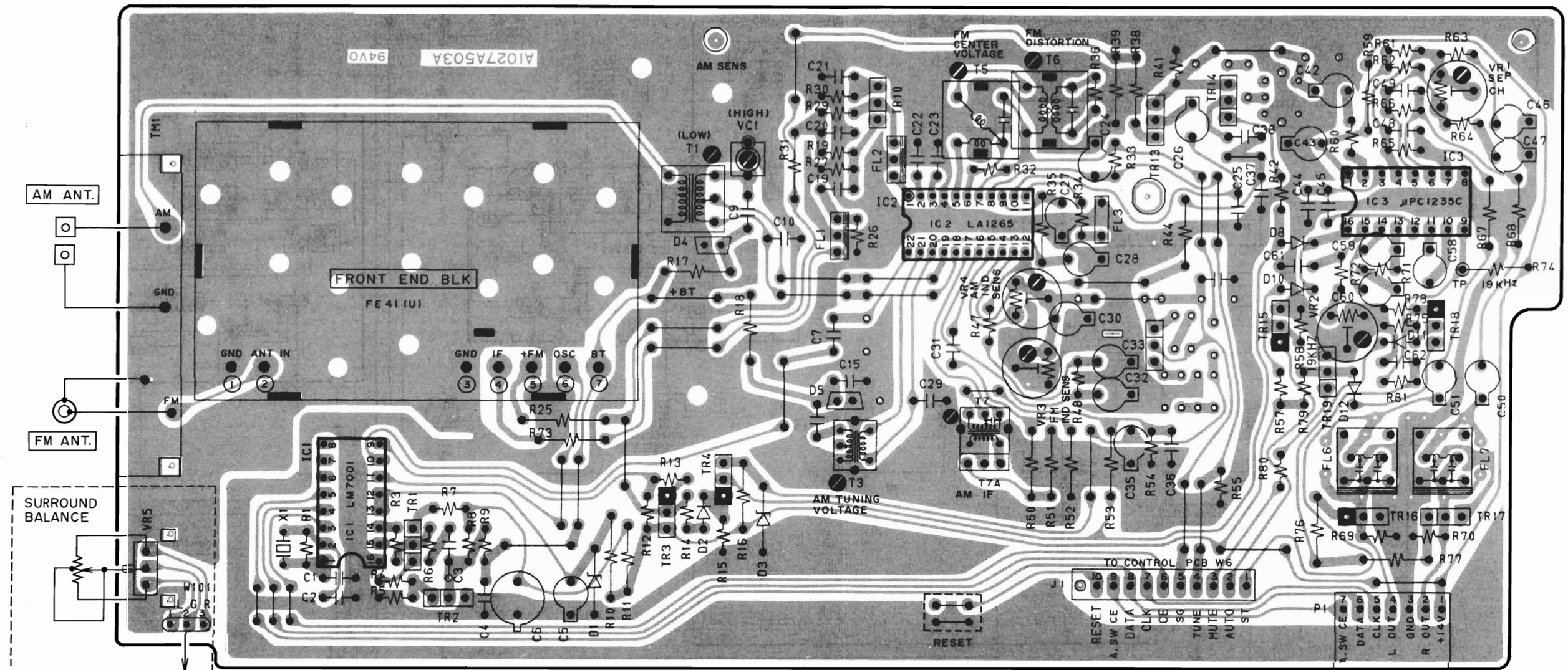
TO MAIN PCB J6

INDICATED VOLTAGES ARE MEASURED IN FM MODE.

- :B (POWER SUPPLY) LINE
- - - :FM SIGNAL LINE
- · - · :AM SIGNAL LINE

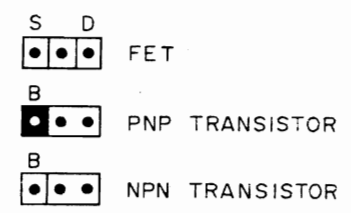
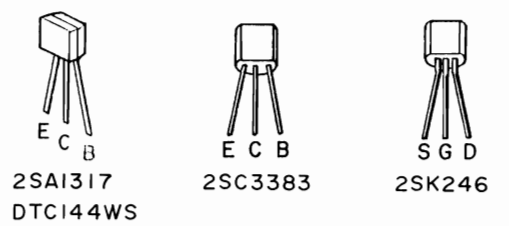
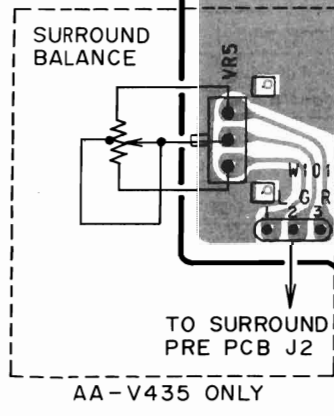
NOTE
UNLESS OTHERWISE SPECIFIED
ALL RESISTORS IN OHMS 1/4W (J)
ALL CAPACITORS IN μF 50WV (J)

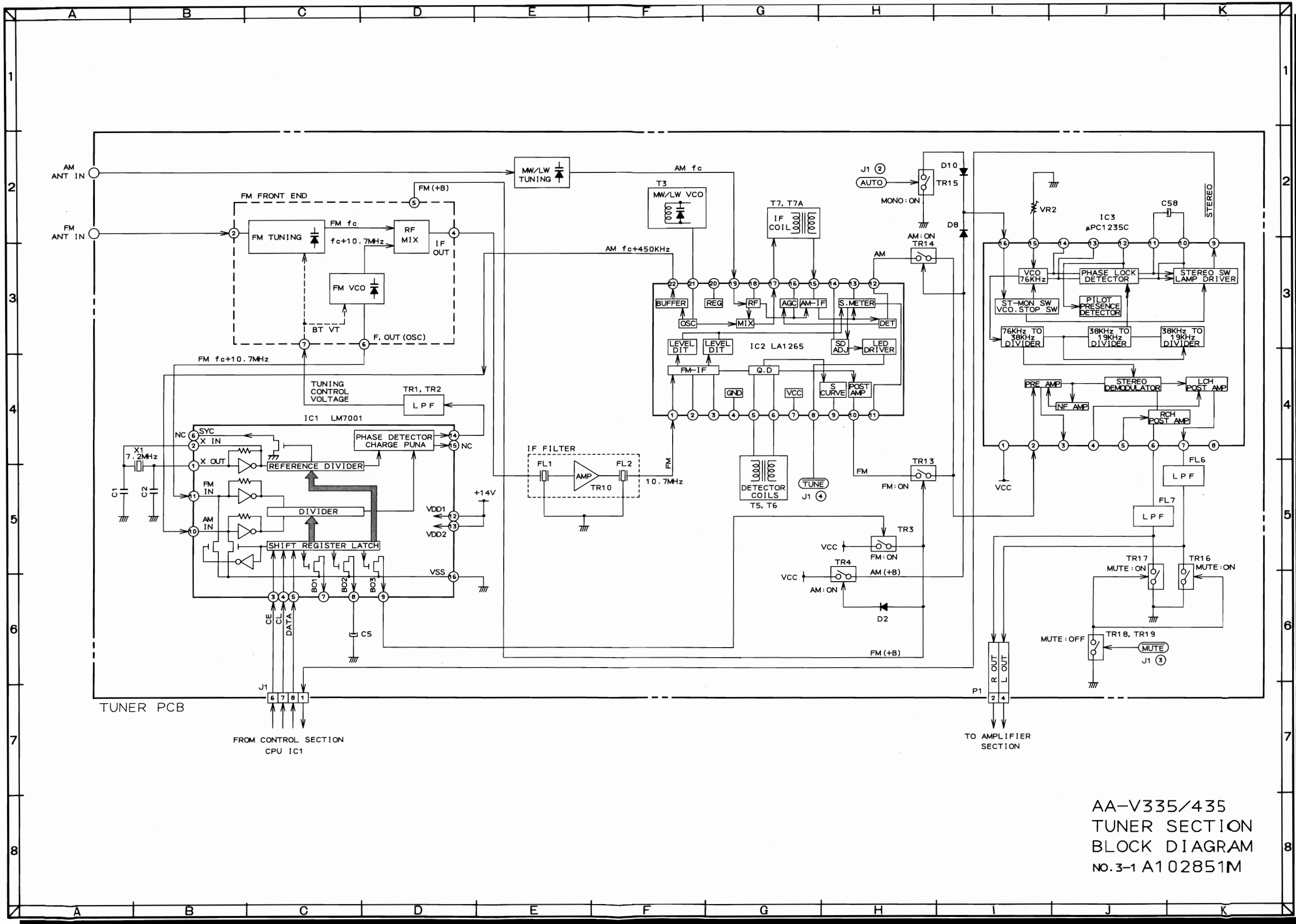
AA-V335/V435
TUNER PCB
SCHEMATIC DIAGRAM
NO.5-5 A102805M



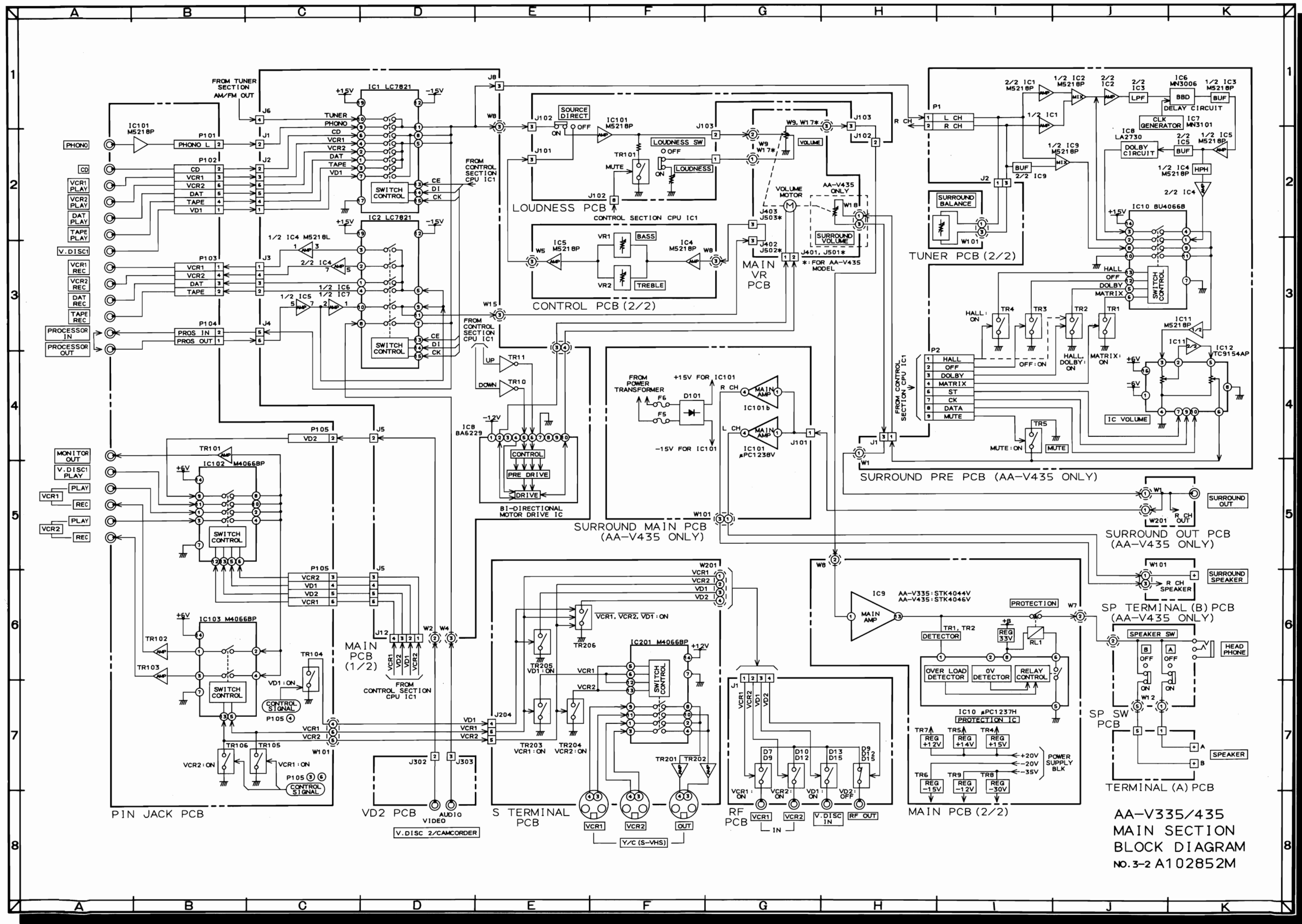
TUNER PCB AI027A503A

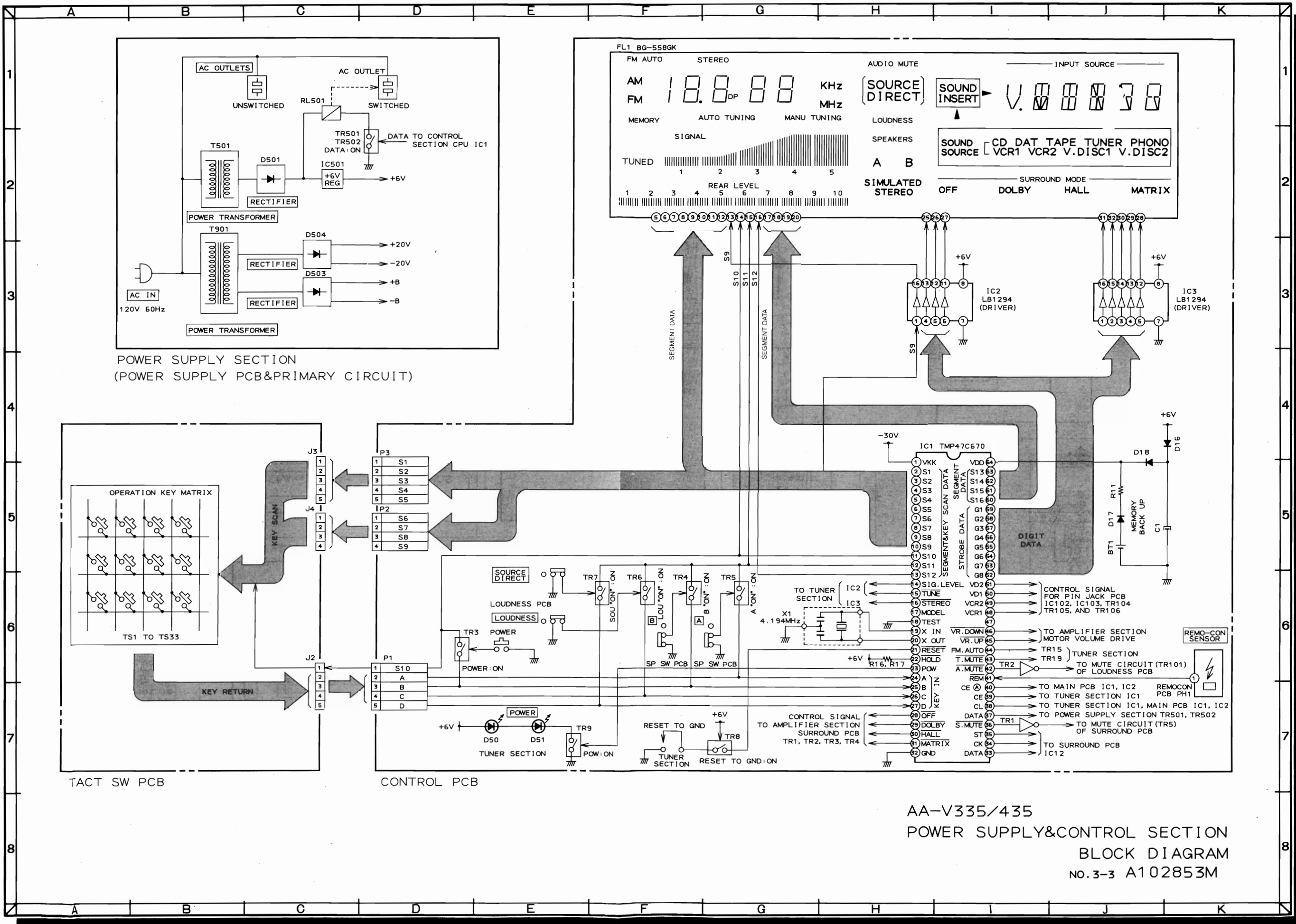
TO MAIN PCB J6





AA-V335/435
 TUNER SECTION
 BLOCK DIAGRAM
 NO. 3-1 A102851M





POWER SUPPLY SECTION
(POWER SUPPLY PCB & PRIMARY CIRCUIT)

TACT SW PCB

CONTROL PCB

AA-V335/435
POWER SUPPLY & CONTROL SECTION
BLOCK DIAGRAM
NO. 3-3 A102853M