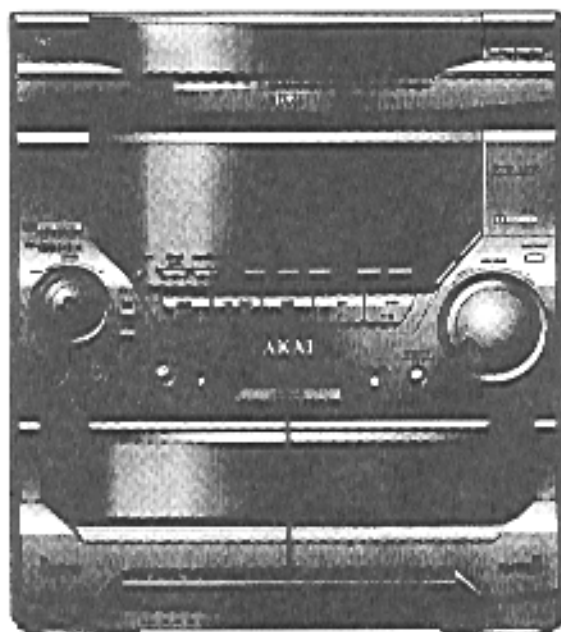


AKAI SERVICE MANUAL



• The above illustration shows the AC-720 model.

COMPACT
disc
DIGITAL AUDIO

 DOLBY B NR

 DOLBY SURROUND
PRO • LOGIC

MINI STEREO COMPONENT SYSTEM

MODEL **AC-520/523R/525K**

MODEL **AC-720/723R/725K**

MODEL **SR-525/720**

CONTENTS

SAFETY INSTRUCTIONS	2
INFORMATIONS	3
SPECIFICATIONS	4
CONTROLS	6
I. DISASSEMBLY	8
II. PRINCIPAL PARTS LOCATION	9
III. DISASSEMBLY OF MAIN COMPONENTS	11
IV. MECHANICAL ADJUSTMENT	16
V. ELECTRICAL ADJUSTMENT	17
VI. PARTS LIST	19
VII. ABBREVIATIONS	36

SAFETY INSTRUCTIONS

PRECAUTIONS DURING SERVICING

1. Parts identified by the \triangle (*) symbol parts are critical for safety. Replace them only with parts whose numbers are specified.
2. In addition to safety, other parts and assemblies are specified for conformance with such regulations as those applying to spurious radiation. These must also be replaced only with specified replacements.
Examples: RF converters, tuner units, antenna selection switches, RF cables, noise-blocking capacitors, noise-blocking filters, etc.
3. Use specified internal Wiring. Note especially:
 - 1) Wires covered with PVC tubing
 - 2) Double insulated wires
 - 3) High voltage leads
4. Use specified insulating materials for hazardous live parts. Note especially:
 - 1) Insulating Tape
 - 2) PVC tubing
 - 3) Spacers (insulating barriers)
 - 4) Insulating sheets for transistors
 - 5) Plastic screws for fixing micro switches
5. When replacing AC primary side components (transformers, power cords, noise blocking capacitor, etc.), wrap ends of wires securely about the terminals before soldering.



6. Make sure that wires do not contact heat generating parts (heat sinks, oxide metal film resistors, fusible resistors, etc.)
7. Check if replaced wires do not contact sharply edged or pointed parts.
8. Also check areas surrounding repaired parts.
9. Make sure that foreign objects (screws, solder droplets, etc.) do not remain inside the set.

MAKE YOUR CONTRIBUTION TO PROTECT THE ENVIRONMENT

Used batteries with the ISO symbol for recycling as well as small accumulators (rechargeable batteries), mini-batteries (cells) and starter batteries should not be thrown into the garbage can.



Please leave them at an appropriate depot.

SAFETY CHECK AFTER SERVICING

After servicing, make measurements of leakage-current or resistance in order to check if exposed parts are acceptably insulated from the supply circuit.

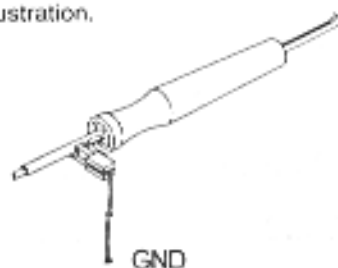
The leakage-current measurement should be done between accessible metal parts, (such as chassis, ground terminal, microphone jacks, signal input/output connectors, etc.) and the earth ground through a resistor of 1500 ohm paralleled with a 0.15 μ F capacitor, under the unit's normal working condition.

The leakage-current should be less the 0.5mA rms AC. The resistance measurement should be done between accessible exposed metal parts and power cord plug prongs with the power switch "ON" (if included). The resistance should be more than 2.2Mohms.

PRECAUTIONS IN REPAIRING

When repairing or adjusting the unit, please note the following points

1. Do not put excessive pressure on the mechanical part (operation part), including the pick-up block, as extremely high mechanical precision is required in these parts.
2. When the base is removed for repair or adjustment. Make sure that there are no metal objects between the P.C board or the mecha parts and the base.
3. The Micro-Computer and the CD signal processing ICs may be damaged by static electricity or leakage from a soldering iron during repairing. While soldering, please take the precautions against leakage as in the illustration.



4. Do not loosen any screws in the pick-up block. Please refer to NOTE when replacing the pick up block.
5. To avoid hazardous invisible Laser Radiation, do not look at the Laser Beam (Objective lens) directly.
6. On model for some countries, laser warning labels are affixed on and inside of the unit as shown below. For your safety, read these labels carefully before repairing or adjusting the unit.

CAUTION

The use of controls or adjustments or the performance of procedures other than those specified herein may result in hazardous radiation.

| EUROPE, SCANDINAVIA, UK and AUSTRALIA |

CLASS 1 LASER PRODUCT
KLASSE 1 LASER PRODUKT
LUOKAN 1 LASER LAITE
KLASS 1 LASER APPARAT

Label affixed on the rear panel of the unit

CAUTION: INVISIBLE LASER RADIATION WHEN OPEN AND INTERLOCK DEPARTED AVOID EXPOSURE TO BEAM
ADVARSEL: USYNLIG LASERSTRÅLING VED ÅBNING
Sikkerhedsafbrydere er ude af funktion. Undgå udsættelse for stråling.
VARNING: AVAKTAEBSA JA SUDJALURITUS OHITET. TAESSA OLET ALTIIN NÄKYMATÖNÄ LASERSTRÅLLE.
ÄÄ KATSO SÄTEESEEN!
VARNING: OSYNLIG LASERSTRÅLING NÄR DENNA DEL ÄR ÖPPNAD OCH SPÄRRAD ÄR JKOPPLAD. SE TRAKTA EJ STRÅLEN!

Label affixed on the CD MECHA BLOCK

INFORMATION

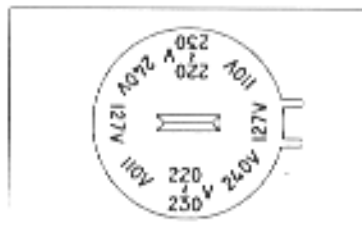
SYMBOLS FOR PRIMARY DESTINATION

Alphabet indicates the destination of the units as listed below.

Symbol	Principal Destination
A	USA
B	UK
E	Europe (except, UK)
S	Australia
V	Germany
U	Universal
Y*	Custom version

VOLTAGE CONVERSION(U|Y Model only)

Before connecting the power cord, set the VOLTAGE SELECTOR located on the rear panel of the AC-515K/715K so that the correct voltage for your area is indicated.



[U5,U8, Y6, Y7]

TEST MODE

Various kind of test modes are installed in this unit's microcomputer in order to test them on the production line. Following test modes among the various test modes can be used for adjustment, operation check or maintenance. To terminate the test mode, simply press the "POWER ON/STANDBY" button or disconnect the AC power cord from the AC outlet.

1. DECK TEST MODE

This test mode can be used for tape speed adjustment as well as bias oscillator frequency adjustment in TAPE DECK section.

While pressing and holding the "TAPE II" and "▶" (F) buttons, connect the AC power cord to AC outlet. The function turns to "TAPE I" and "DUBX1" as well as "T P I □ □ □" indicators on the FLD light when this mode is engaged.

2. DECK CLEANING MODE

This test mode can be used for cleaning of the TAPE DECK mechanism.

Because, this mode enables engaging of the playback, fast forward (FF), and rewind (RWD) modes without a cassette tape, it makes the cleaning (such as the capstan shaft, magnetic head, pinch roller etc.) easier. While pressing and holding the "TAPE I" and "◀ II" (F) button, connect the AC power cord to the AC outlet. The tape run indicator light without the cassette tape when this mode is engaged.

SPECIFICATIONS

[Tuner Section]

Frequency range	
FM	87.5-108MHz(50KHz step)
MW	530-1710KHz(U8) 531-1602KHz (except UB)
LW	144-288KHz(1KHz step) (E1/E2/E3/B1 only)
SW	3.8-12.5MHz(5KHz step) (Y7 only)

USABLE SENSITIVITY

FM	16.2dBf IHF,3%THD (except E1/E2/E3/B1) 20.2dBf IHF, 3%THD (E1/E2/E3/B1)
MW	500uV/m
LW	800uV/m
SW	800uV/m

S/N Ratio(IHF)

FM	MONO 75dB, STEREO 65dB
MW	40dB
LW	30dB
SW	30dB
Stereo separation	40dB(at 1KHz)

[AMPLIFIER Section]

Power output	(AC-520/523R/525K) 100W+100W(6ohms, 10%THD, EIAJ) 80W+80W (6ohms, 1%THD, DIN) (AC-720/723R/725K) 133W+133W(6ohms, 10%THD, EIAJ) 106W+106W (6ohms, 1%THD, DIN)
Input sensitivity (AUX IN)	390mV/47K Ω
channel separation	64dB
Frequency response	10Hz-100KHz(-3dB)

[DECK SECTION]

Track system	4track, 2channel system
Frequency response	40Hz-15KHz (Normal tape, \pm 3dB) 40Hz-16KHz(Cro2 tape, \pm 3dB)
Wow & Flutter	0.09% (WRMS), 0.15%(DIN)
S/N ratio	Dolby B 63dB (5KHz) Dolby off 53dB (Cro2 tape)
Total harmonic distortion	less than 0.5%(normal tape at 315Hz)
Channel separation	43dB

[CD SECTION]

Pick up system	3Beam Laser
Sampling frequency	44.1KHz
Error correction system	Cross interleave read solomon
Number of channels	2Channe
Frequency response	20Hz-20KHz
Wow & Flutter	Below measurable limits
S/N ratio	83dB
Total harmonic distortion	0.035% (at 1KHz)
Channel separation	73dB(at 1KHz)
Dynamic range.....	82dB (at 1KHz)


[GENERAL]

Power requirement	
E1/E2/E3/B1/S1	AC 220-230V/50Hz
U5/U8/Y6/Y7	AC 110/127/220-230/240V, 50/60Hz
Power consumption	120W/AC-520/523R/525K, 200W/AC-720/723R/725K
Weight	8.7Kg/AC-520/523R/525K, 10.2Kg/AC-720/723R/725K

[SPEAKER SECTION]

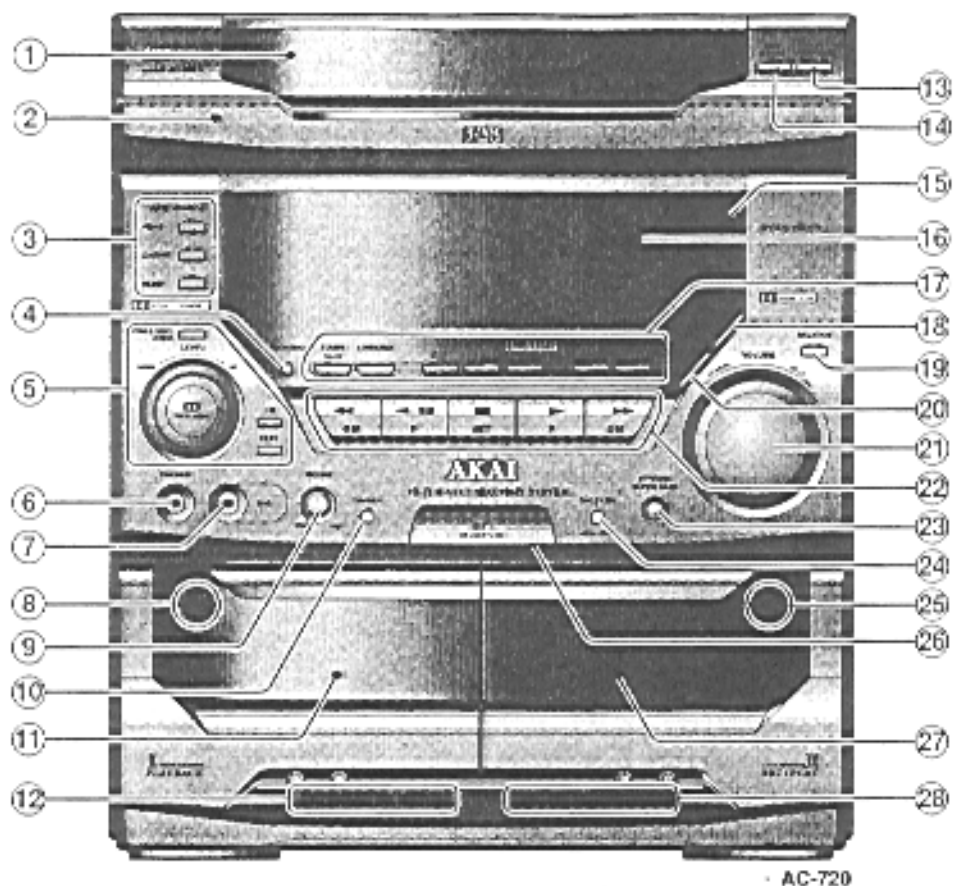
ITEM	SR-525	SR-725
System Constructions	3-way 3-speakers	3-way 3-speakers
Woofer Unit	135mm Cone type	135mm Cone type
Midrange Unit	65mm Cone type	65mm Cone type
Tweeter Unit	50mm type (ambiance)	50mm type (ambiance)
System Impedance	6Ω	6Ω
Maxium Power Input	120w	160w
Sensitivity	more than 87dB/w/m	more than 87dB/w/m
Frequency Response	55Hz-20KHz	50Hz-20KHz
Harmonic Distortion	less than 3%	less than 3%
Enclosure Type	bass reflex type	bass reflex type
Units Layout	L/R mirror layout	L/R mirror layout
Dimensison	220(W)X388(H)X266(D)	200(w)X388(H)X266(D)
Net Weight	3.9Kg/pc	4.9Kg/pc

For improvement purposes, specifications and design are subject to change without notice.

Manufactured under license from Dolby Laboratories Licensing Corporation. "DOLBY" and the  symbol are trademarks of Dolby Laboratories Licensing Corporation.

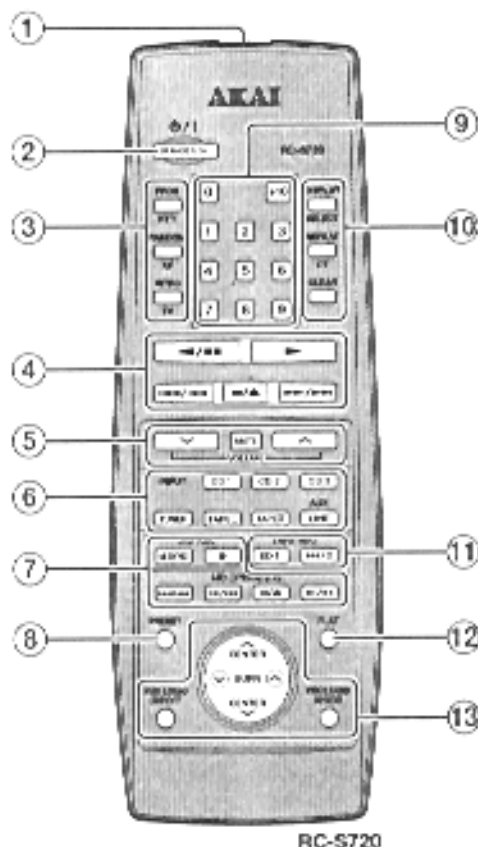
CONTROLS

A MAIN UNIT



- | | |
|---|---|
| 1. PRO LOGIC FL display(AC-720/723R/725K only) | 13. TRAY OPEN/CLOSE button |
| 2. Disc tray | 14. DISC CHANGE button |
| 3. TIMER CONTROL buttons
PROG button
ON/OFF button
SLEEP button | 15. Remote sensor |
| 4. CH MEMO button | 16. System FL display |
| 5. DOLBY PROG LOGIC operation buttons(AC-720/723R/725K only)
PRO LOGIC MODE button
CH button
PROG LOGIC on/off button and LEVEL control
TEST button | 17. Input source select buttons(AUX is not included on the AC-520/523R/525K models)
TUNER BAND, LINE/AUX, CD1, CD2, CD3, TAPE I, TAPE II |
| 6. PHONES jack | 18. DUB SPEEDx1/x2 button |
| 7. MIC jack | 19. BALANCE button |
| 8. Tape deck I PUSH OPEN button | 20. REC button |
| 9. Mixing control | 21. Volume control |
| 10. Dimmer button | 22. Multi-function buttons |
| 11. Tape deck I cassette compartment | 23. DYNAMIC SUPER BASS button |
| 12. Tape deck I direction indicator and transportation indicator | 24. DOLBY NR button |
| | 25. Tape deck II PUSH OPEN button |
| | 26. STANDBY/ POWER ON button |
| | 27. Tape deck II cassette compartment |
| | 28. Tape deck II direction indicator and transportation indicator |

B Remote Control



RC-S720

When using the remote control for operation, make sure that it is pointing to the remote sensor window on the main unit.

- | | |
|---|--|
| 1. Transmitting window | 8. PRESET button |
| 2. $\odot/ $ POWER ON/STANDBY button | 9. CD/TUNER 11 KEY buttons |
| 3. CD operation buttons/RDS buttons
(The RDS function is only available on the AC-723R/523R) | 10. CD operation buttons/RDS buttons
(The RDS function is only available on the AC-723R/523R) |
| 4. Multi-function buttons | 11. TAPE REC buttons |
| 5. VOLUME buttons | I/O REC/PAUSE button |
| 6. Input source select buttons | EDIT button |
| 7. MD operation buttons | 12. FLAT button |
| M-SYNC buttons | 13. PRO LOGIC operation buttons |
| ● REC button | PROG LOGIC ON/OFF buttons |
| ◀◀/▶▶ buttons | PROG LOGIC MODE button |
| ▶▶/▶▶ buttons | CENTER ^/∨ buttons |
| ■/▲ buttons | SURROUND ^/∨ buttons |
| ▶/ buttons | |

* These PRO LOGIC operation buttons are not included on the RC-S520 remote control (for AC-520/523R model operation)

These MD operation buttons can only be used if you have connected the optional MD recorder (MD-720).

Note:

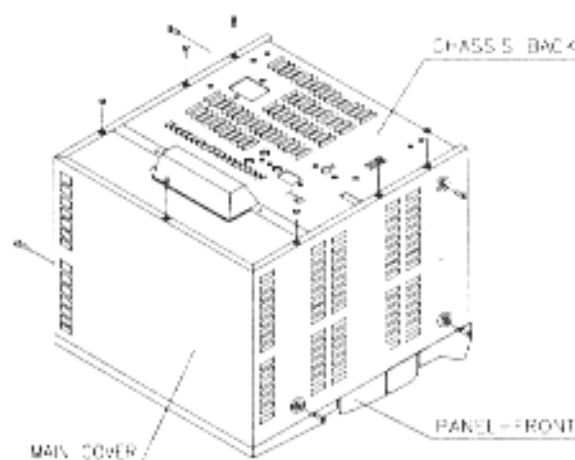
The remote control can not be used for some functions that require the combined pressing of two tape transportation buttons (intro scan or auto play for example). Please Use the Main unit's multi-function buttons for the operation of such functions.

I. DISASSEMBLY

1-1. REMOVE OF MAIN COVER

- 1) Remove the seven screws on back and six screws on both sides.
- 2) Remove the MAIN COVER

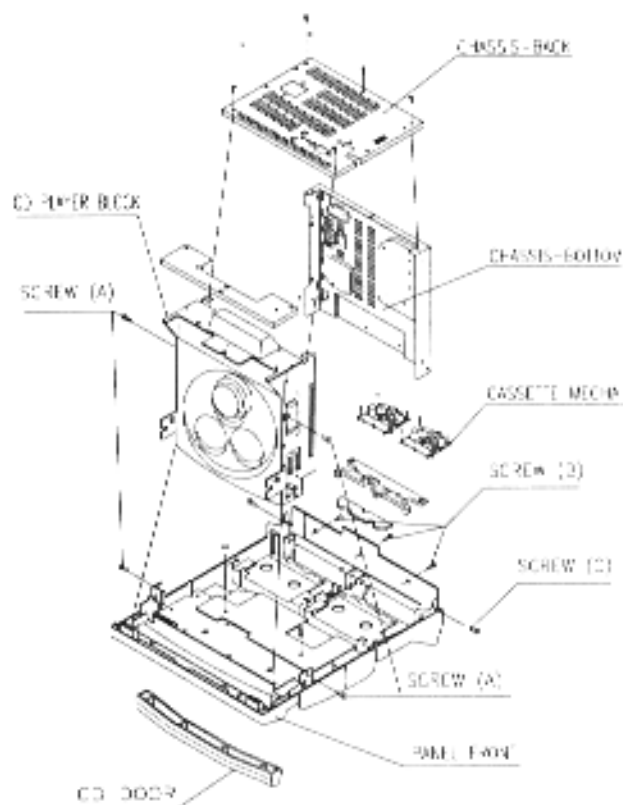
Fig. 1-1



1-2. REMOVE OF CD MECHA & FRONT PANEL

- 1) Remove the CD door
- 2) Remove the four screws (A) on both sides and disconnect three connectors and the flat cable from the TC-DK P.C.B.
- 3) Remove the CD player block
- 4) Remove the three screws (B) and two screws (C) on both sides.
- 5) Remove the FRONT PANEL

Fig. 1-2



II. PRINCIPAL PARTS LOCATION

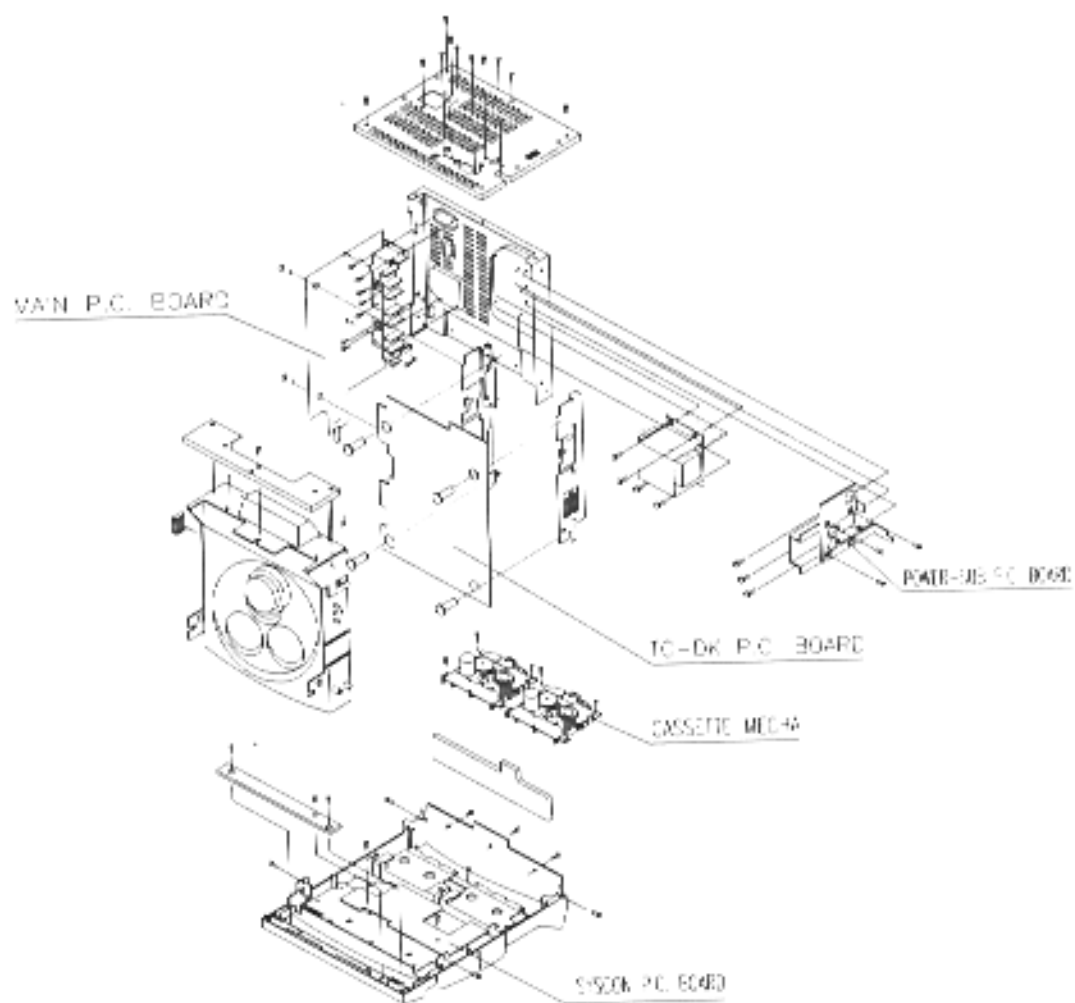


Fig. 2-1

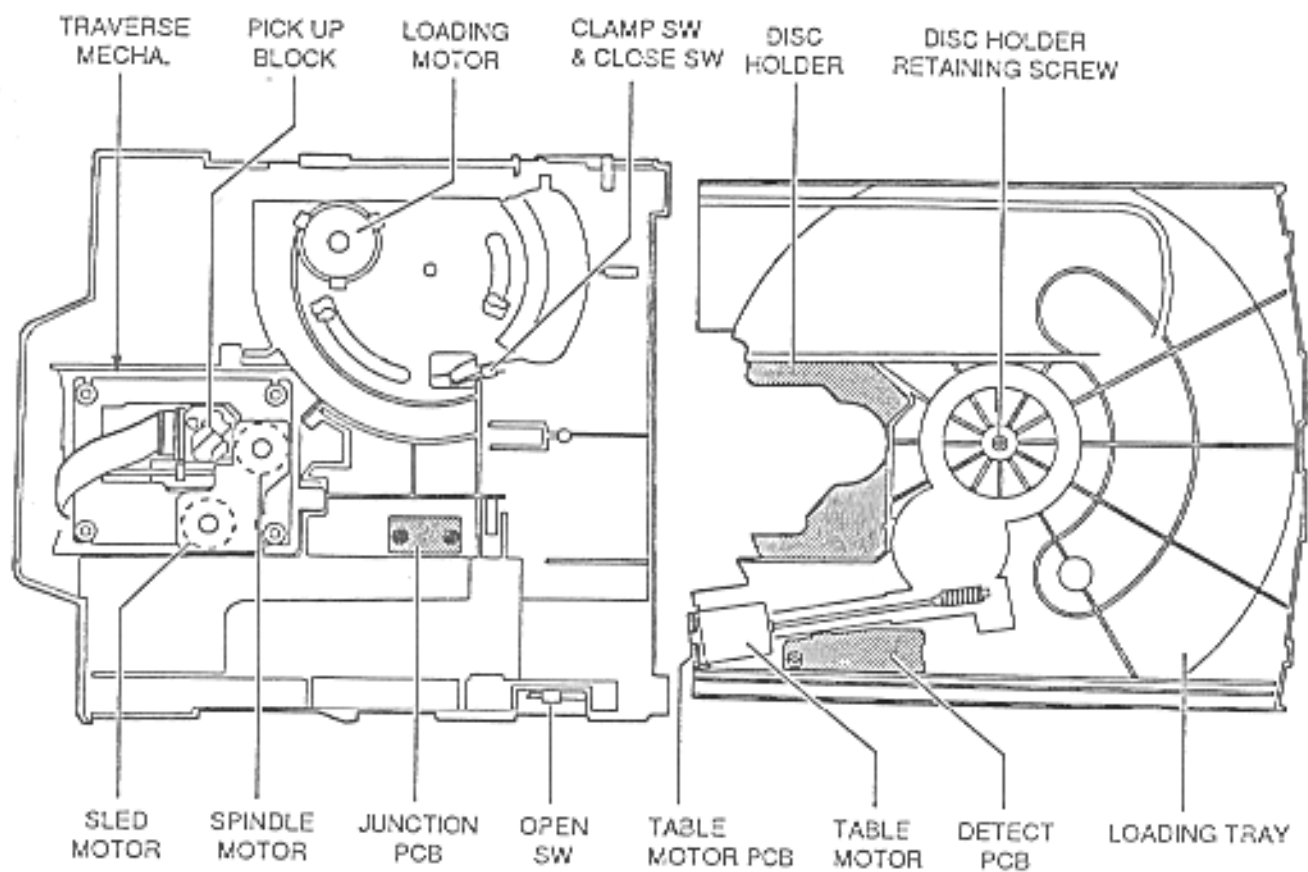


Fig. 2-2 CD PLAYER BLOCK

III. DISASSEMBLY OF THE MAIN COMPONENTS

3-1. CD PLAYER BLOCK

* Remove the CD PLAYER BLOCK before proceeding.

3-1-1. Removal of the TRAVERSE MECHA.

1) Remove the TRAVERSE COVER by releasing the two tabs in the direction of the arrow as shown in Fig. 3-1.

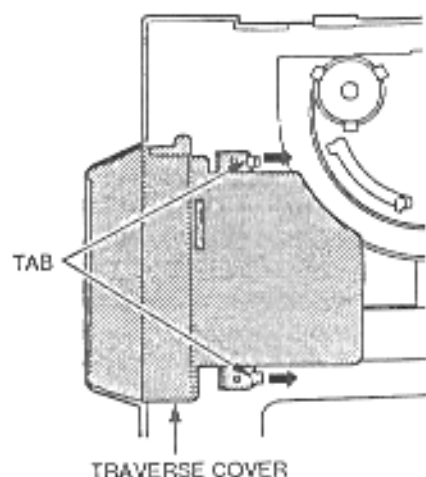


Fig. 3-1

2) Short the circuit on the PICK UP BLOCK with solder as shown in Fig. 3-2.

Note: To protect the laser diode from damage caused by high voltage static electricity, a part of the PCB on the PICK UP BLOCK has to be shorted before disconnecting the connectors. After replacement, be sure to connect the two connectors and then remove the solder of the shorted circuit before turning the power ON.

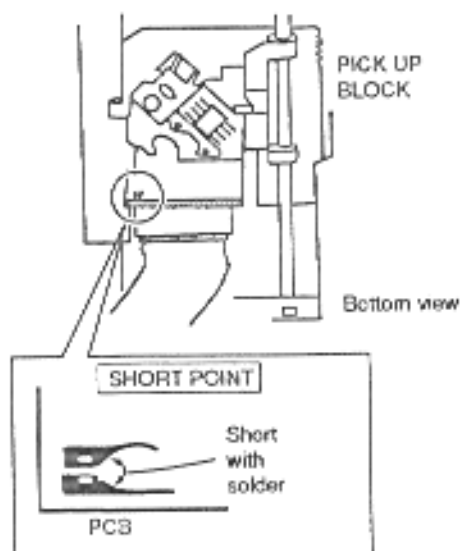


Fig. 3-2

3) Disconnect the two connectors carefully.

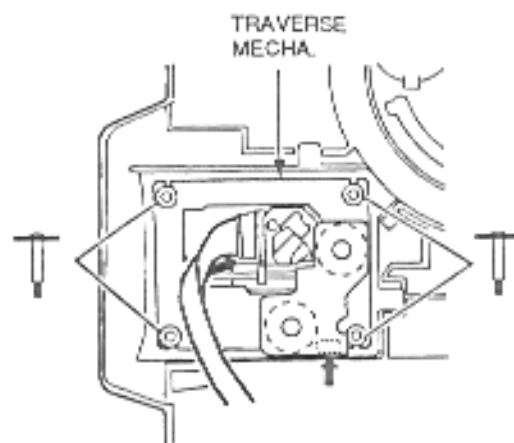


Fig. 3-3

4) Remove the four retaining screws, then remove the TRAVERSE MECHA.

5) Proceed in the reverse order for installation but never unsolder the shorted circuit before connecting the three connectors.

3-1-2. Replacement of the SLED MOTOR

1) Remove the TRAVERSE MECHA (refer to section 3-1-1).

2) Unsolder the leads of the SLED and SPINDLE MOTORS then remove the MOTOR PCB.

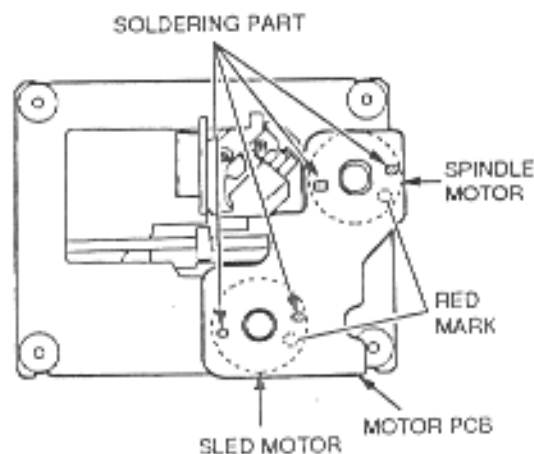


Fig. 3-4

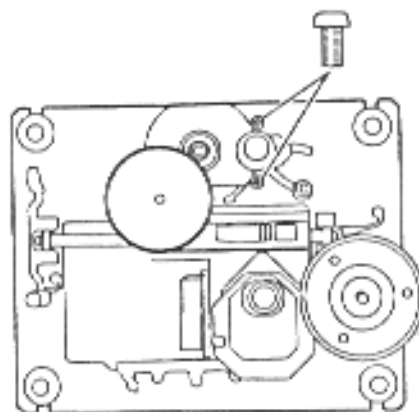


Fig. 3-5

- 3) Remove the two retaining screws, then remove the SLED MOTOR.

Next, extract the plastic gear from the motor shaft and attach it onto the new motor's shaft.

- 4) Reassemble in the reverse order.

About the SPINDLE MOTOR:

Replacement of the SPINDLE MOTOR itself is not recommended, because adjustment of the TURN TABLE height is quite critical and requires the use of a special jig.

3-1-3. Replacement of the PICK UP BLOCK

- 1) Remove the TRAVERSE MECHA (refer to section 3-1-1).
- 2) While pressing the Ⓐ stopper upwards, pull the SLIDE SHAFT to the right to remove the PICK UP BLOCK, then replace the PICK UP BLOCK.

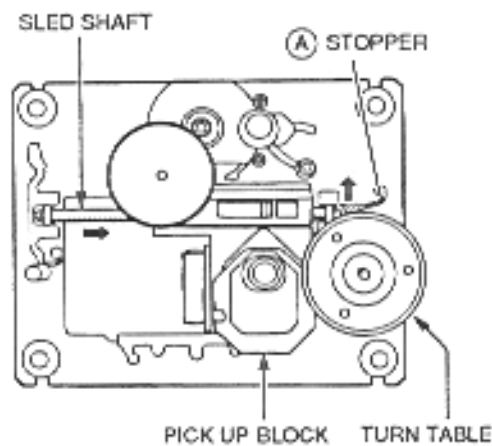


Fig. 3-6

- 3) Reassemble in the reverse order.

3-1-4. Replacement of the LOADING MOTOR

- 1) Slide the protruding part of the GEAR HOLDER PART in the direction of the arrow, then pull out the TRAY BLOCK.

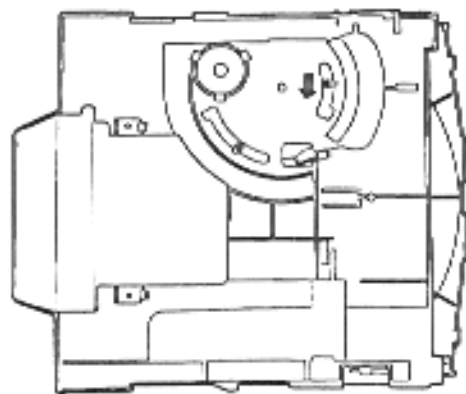


Fig. 3-7

- 2) Unhook the LOADING BELT with tweezers.

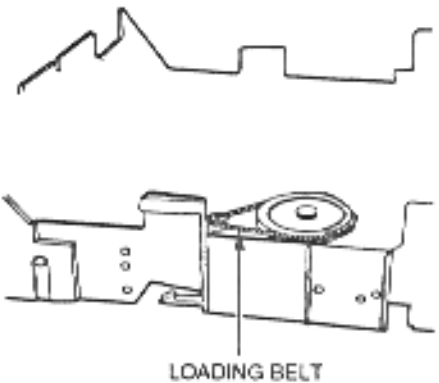


Fig. 3-8

- 3) Unsolder the lead wires of the LOADING MOTOR with a soldering iron.
- 4) While releasing the LOADING MOTOR's three retaining hooks, push the motor pulley part down with your middle finger to remove the LOADING MOTOR, then replace it.

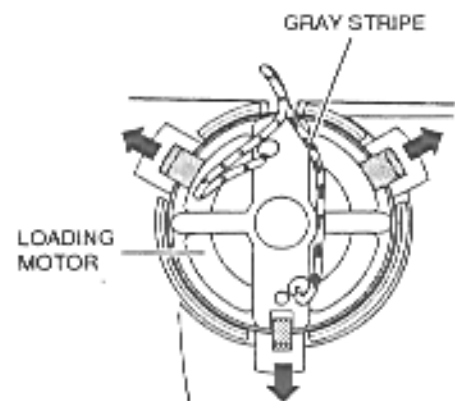


Fig. 3-9

- 5) Reassemble in the reverse order. Make sure that the wire with the gray stripe is connected to the motor's O marked terminal when soldering.

3-1-5. Removal of the TRAY BLOCK

- 1) If the TRAY BLOCK is in the "in" position, slide the protruding part of the GEAR HOLDER PART in the direction of the arrow and pull out the TRAY BLOCK slowly (refer to Fig. 3-7).
- 2) In order to disengage the two stoppers, carefully press the Ⓐ part of the TRAY BLOCK downwards while pulling the TRAY BLOCK out as shown in Fig. 3-10.

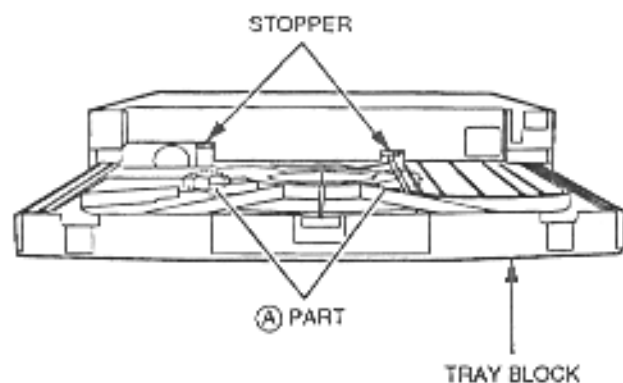


Fig. 3-10

- 4) Remove the TRAY BLOCK by pulling it out carefully.
- 5) Reassemble in the reverse order for installation. When reattaching the TRAY BLOCK to the chassis, carefully align the guides on both sides of the TRAY BLOCK with their corresponding rails on the chassis. Also, make sure that any one of the reference marks on the DISC HOLDER aligns with the reference mark on the LOADING TRAY.

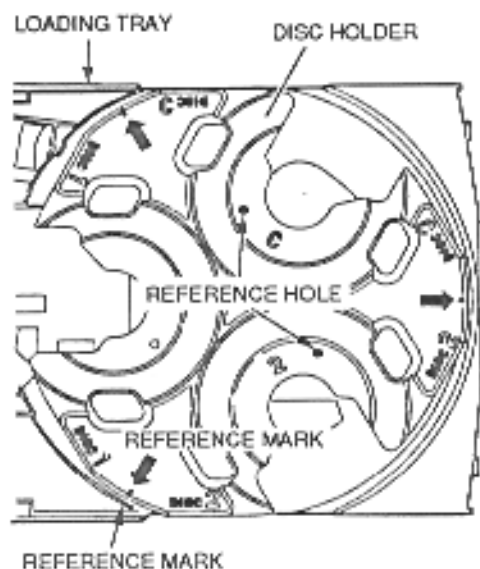


Fig. 3-11

Next, move the head of the GEAR HOLDER PART in the direction of the arrow before engaging the stoppers as shown in Fig. 3-12.

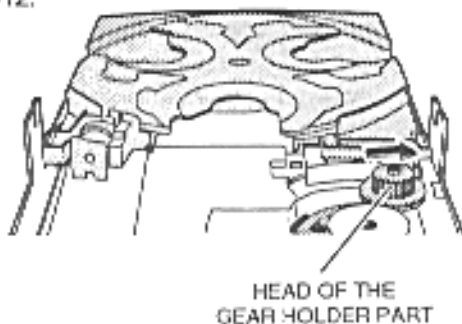


Fig. 3-12

3-1-6. Replacement of the TABLE MOTOR

- 1) Remove the TRAY BLOCK (refer to section 3-1-5).
- 2) Remove the DISC HOLDER retaining screw then remove the DISC HOLDER.

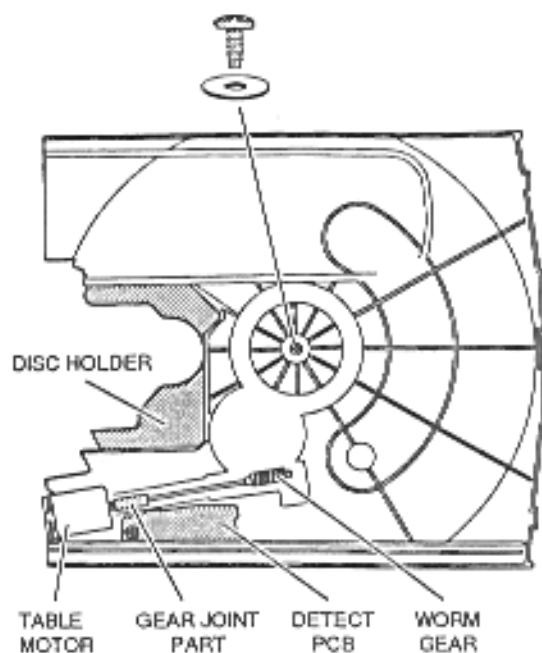


Fig. 3-13

- 3) Unsolder the leads of the TABLE MOTOR and remove the TABLE MOTOR PCB.

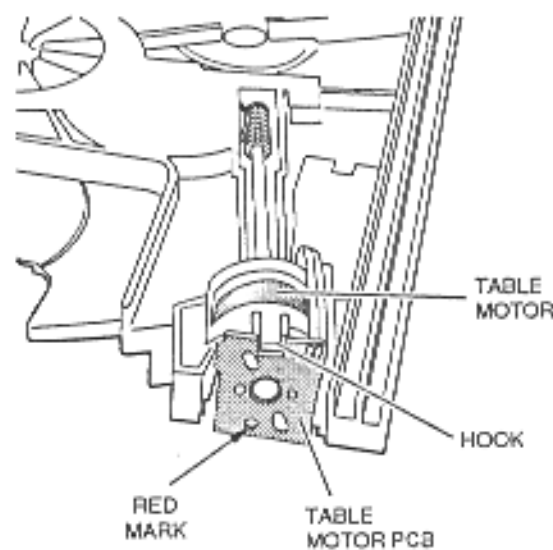


Fig. 3-14

- 4) Remove the TABLE MOTOR by pulling it out while opening the TABLE MOTOR retaining hook. Next, remove the WORM GEAR BLOCK by pulling the GEAR JOINT PART out and attach it to the new motor as shown in Fig. 3-13.
- 5) Reassemble in the reverse order.
 - When soldering the TABLE MOTOR PCB on the TABLE MOTOR, the TABLE MOTOR's red mark must be visible through the hole on the TABLE MOTOR PCB.
 - When attaching the DISC HOLDER on the LOADING TRAY, make sure to place the DISC HOLDER so that any one of the three reference marks aligns with the reference mark on the LOADING TRAY (any two reference holes on the DISC HOLDER align with the corresponding reference holes on the LOADING TRAY accordingly). (Refer to Fig. 3-11)

3-2. TAPE-I & TAPE-II MECHANISM BLOCK

* If CASSETTE MECHANISM BLOCK removal is intended, press both the "EJECT" buttons on the FRONT PANEL to open the CASSETTE HOLDERS and CASSETTE DOOR before proceeding (AC-600/603R/605K only).

3-2-1. Removal of the MECHANISM BLOCK

- 1) Remove the FRONT PANEL BLOCK.
- 2) Remove the four screws for each of the TAPE-I and TAPE-II MECHANISM BLOCKs then remove the MECHANISM BLOCKs from the FRONT PANEL BLOCK.

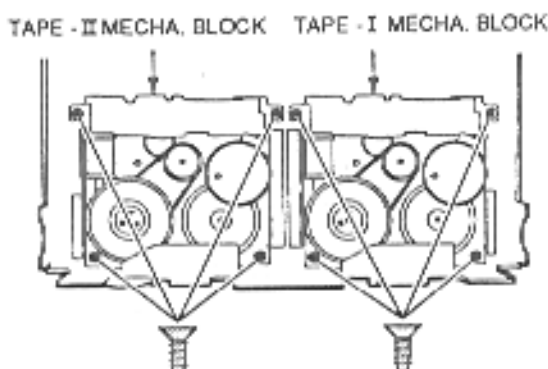


Fig. 3-15

3-2-2. Replacement of the CAPSTAN MOTOR

NOTE :After replacement, tape speed adjustment must be performed.

- 1) Unsolder the flat cable on the CAPSTAN MOTOR with a soldering iron.
- 2) While pressing the INTER-LOCK LEVER in the direction of the arrow, remove the two (B) screws and then remove the CAPSTAN MOTOR.

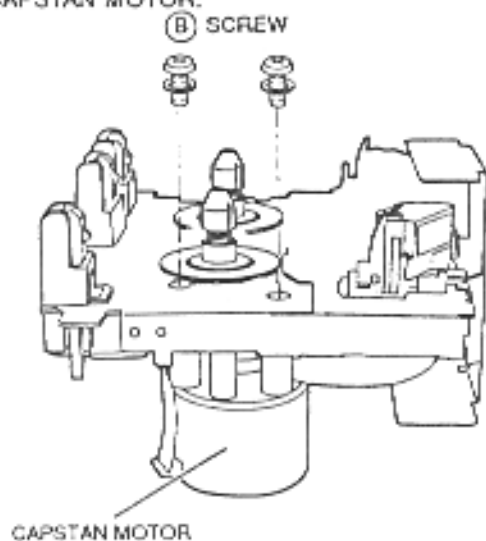


Fig. 3-16

- 3) Install a new motor and re-assemble in the reverse order for installation.

3-2-3. Replacement of the FR BELT

- 1) Unthread the MAIN BELT and replace the FR BELT as shown in Fig. 3-17.
- 2) Proceed in the reverse order for installation.

3-2-4. Replacement of the MAIN BELT

- 1) Remove the CAPSTAN MOTOR
- 2) Replace the MAIN BELT and re-assemble in the reverse order for installation.

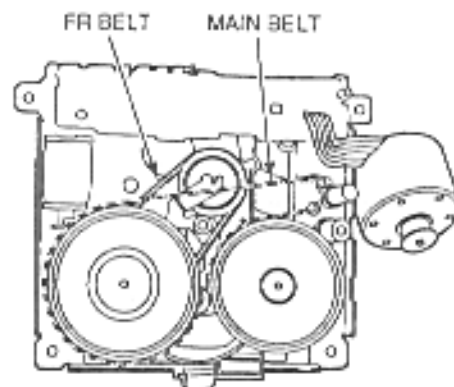


Fig. 3-17

- 3) After replacement, check the tape speed and if the result is not satisfactory, tape speed adjustment must be performed.

3-2-5. Replacement of the PINCH ROLLER BLOCK

- 1) Extract the PINCH ROLLER BLOCK upwards while releasing the pinch roller retaining hook in the direction of the arrow.

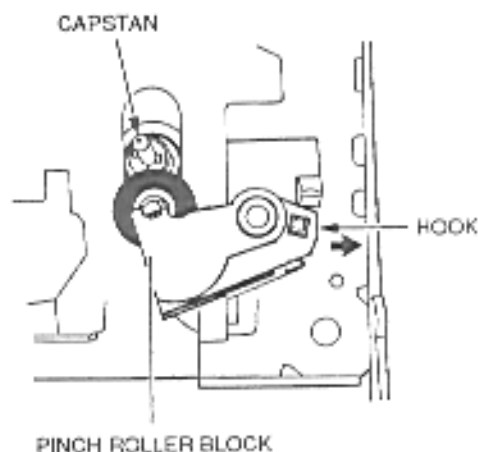


Fig. 3-18

- 2) Replace the PINCH ROLLER BLOCK and re-assemble in the reverse order. Attach the spring in the correct position when placing the PINCH ROLLER BLOCK.

- 3-2-6. Replacement of the PB HEAD OR REC/PB HEAD
- 1) Remove the two (A) screws and remove the HEAD SHIELD PLATE.

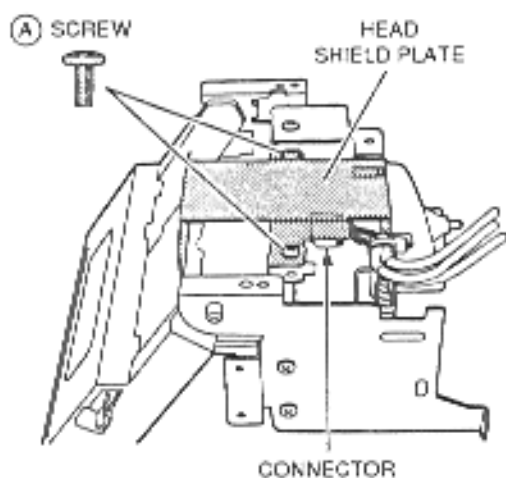


Fig. 3-19

- 2) Disconnect the connector on the CONNECTOR PCB and remove the PCB retaining screw.

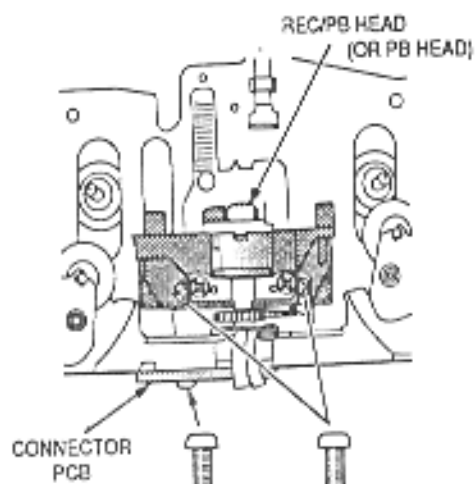


Fig. 3-20

- 3) Remove the two head retaining screws and remove the HEAD BLOCK.
- 4) Reassemble in the reverse order. After replacement, demagnetize the HEAD then perform head azimuth adjustment.

IV. MECHANICAL ADJUSTMENT

4-1. ADJUSTMENT OF THE HEAD AZIMUTH ALIGNMENT

- 1) Connect an oscilloscope to the L-ch and R-ch LINE terminals of the unit.
- 2) Play back a 10 kHz (-15 dB), HEAD AZIMUTH ALIGNMENT TEST TAPE (TF-106CH) then adjust the HEAD AZIMUTH ALIGNMENT ⓐ (FWD PLAY) and ⓑ (REV PLAY) SCREWS respectively so that the waveform level of both the L-ch and R-ch are at maximum and also they are in the same phase in both FWD and REV directions. (Use a sharp edge philips type screwdriver that is de-magnetized for adjustment.)
Perform the adjustment on both the TAPE-I and TAPE-II heads if necessary.

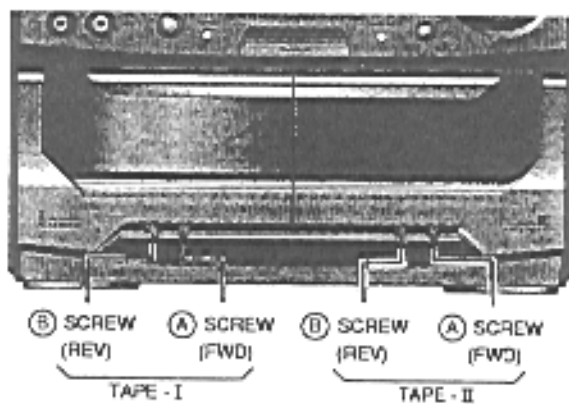


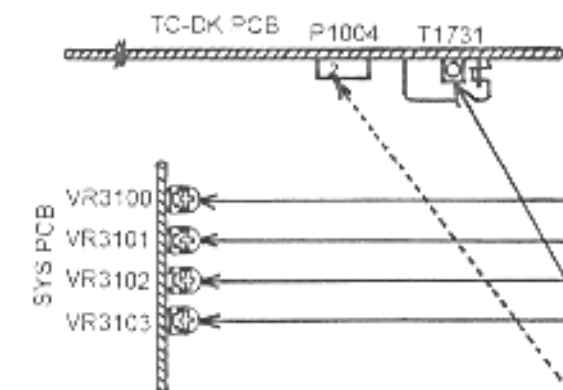
Fig. 4-1

V. ELECTRICAL ADJUSTMENT

5-1. TAPE DECK SECTION

NOTE :

- The following adjustment should be performed in the "DECK test mode".
To engage the DECK test mode, connect the AC power cord to the AC outlet while pressing the "TAPE-II" and "▶ (F)" buttons together. When the "DECK test mode" is engaged, the "DUBX:" indicator on the FL display will light.
- When performing the tape speed adjustment, observe the following notes.
 - Adjustment should be started more than 30 seconds after the power is switched ON.
 - Adjustment should be made on X2 speed mode first then adjust the normal speed mode.
 - Adjustment should be made in the forward direction.
- To disengage the "DECK test mode", press the "POWER" button or unplug the AC power cord from the AC outlet.



STEP	ADJUSTMENT
1.	Test tape/input signal
2.	Mode
3.	Check point, adjustment part
4.	Remarks (*) and result (*)

Adjustment Part

Test Point

1	TAPE-I (X2) TAPE SPEED
1.	3,150 Hz test tape (TF-110CT)
2.	TAPE-I, PLAY
3.	LINE OUT, VR3100
4.	<ul style="list-style-type: none"> Connect a frequency counter to the LINE OUT (L or R) and press the "DUBBING" button to engage double speed. * 6,340 ± 20 Hz

2	TAPE-I NORMAL TAPE SPEED
1.	3,150 Hz test tape (TF-110CT)
2.	TAPE-I, PLAY
3.	LINE OUT, VR3101
4.	<ul style="list-style-type: none"> Connect a frequency counter to the LINE OUT and press the "▶ (F)" button again to resume normal tape speed. * 3,150 ± 10 Hz

3	TAPE-II (X2) TAPE SPEED
1.	3,150 Hz test tape (TF-110CT)
2.	TAPE-II, PLAY
3.	LINE OUT, VR3102
4.	<ul style="list-style-type: none"> Press the "TAPE-II" button and play back the test tape. Connect a frequency counter to the LINE OUT and press the "DUBBING" button to engage double speed. * 6,320 ± 20 Hz

4	TAPE-II NORMAL TAPE SPEED
1.	3,150 Hz test tape (TF-110CT)
2.	TAPE-II, PLAY
3.	LINE OUT, VR3103
4.	<ul style="list-style-type: none"> Connect a frequency counter to the LINE OUT and press the "▶ (F)" button again to resume normal tape speed. * 3,140 ± 10 Hz

5	BIAS OSC FREQUENCY
1.	CrO2 type blank tape
2.	TAPE-II, REC
3.	P1004 @ pin, T1731
4.	<ul style="list-style-type: none"> Connect a frequency counter between P1004 pin and GND. (10 : 1 probe should be used to avoid affecting the measurement.) Start a recording (press the "REC" button then press the "▶" button). The "AUX" source indicator appears automatically. * 100.0 ± 0.2 kHz

5-2.CD PLAYER SECTION

TEST MODE FOR CD PLAYER'S OPERATION

Some adjustments of the CD PLAYER section are automatically carried out by the micro computer.

If the CD player section is defective and it is necessary to partially check the operation, "CD TEST" mode can be used while repairing.

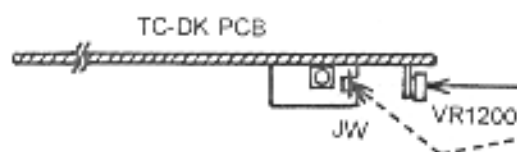
Engaging the "CD TEST" MODE

While pressing and holding both the "CD1" and "◀ F1" buttons, plug in the AC power cord to the AC outlet.

Note :

- During "CD TEST" mode, only the DISC*1 ▲ open/close button can be used for loading. So, place a disc on "TRAY 1".
- Proceed testing by pressing the "CD1" button once for each testing step.
- To disengage the "CD TEST" mode, press the "POWER ON/STANDBY" button or disconnect the AC power cord from the AC outlet.

DISPLAY	FUNCTION
T0 (TEST-0)	Initial condition of the "CD TEST" mode.
T1 (TEST-1)	Perform "focus search"
T2 (TEST-2)	Turn on the "focus servo".
T3 (TEST-3)	Mode of the "E-F balance" adjustment
T4 (TEST-4)	E-F balance adjustment is carried out automatically and its data value is displayed on the FLD.
T5 (TEST-5)	Mode of the "Tracking gain" adjustment
T6 (TEST-6)	Tracking gain adjustment is carried out automatically and its data value is displayed on the FLD.
T7 (TEST-7)	Normal playback mode is engaged



1 FOCUS OFFSET

1. Test disc (SONY TYPE-III)
2. Play back
3. JW and VR1200
4. Connect the hot side probe of an AC millivoltmeter to JW on the BIAS OSC PCB and GND side probe to the chassis. Adjust the VR1200 on the TC-DK PCB until indication of the AC millivoltmeter is maximum

VI. PARTS LIST


ATTENTION

1. When placing an order for parts, be sure to list the part No., Model No. and the description of each part. Otherwise, the nondelivery of the part or the delivery of a wrong part may result.
2. Please make sure that part No. is correct when ordering.
If not, a part different from the one you ordered may be delivered.
3. Since the parts shown in parts list of preliminary service manual may have been the subject of changes, please use this parts list for all future reference.


[NOTE]

1. This parts list lists those parts which are considered necessary for repairs. Other common parts, such as resistors and capacitors, are listed in the "Common List for Service Parts" from which these parts should be selected and stocked.
2. The Recommended Spare Parts list shows those parts in the parts list which are considered particularly important for service.
3. Parts not shown in the parts list and "Common List for Service Parts" will not in principle be supplied.

WARNING

 (*) INDICATED SAFETY CRITICAL COMPONENTS. FOR CONTINUED SAFETY, REPLACE SAFETY CRITICAL COMPONENTS ONLY WITH MANUFACTURE'S RECOMMENDED PARTS.

AVEERTISSEMENT

 (*) IL INDIQUE LES COMPOSANTS CRITIQUES DE SÉCURITÉ POUR MAINTENIR LE DEGRÉ DE SÉCURITÉ DE L'APPAREIL. NE REMPLACER QUE DES PIÈCES RECOMMANDÉES PAR LE FABRICANT.

1. REMOTE P.C. BOARD

REF. NO.	PARTS No.	DESCRIPTION
CF001	007-300455-46	RESONATOR CRK455 455KHz
IC001	033-806122-13	REMOTE TRANSMITTER UPD6122G-001
LED001	130-670303-00	INFRA RED EMITINT DIODE EL-1L1
PCB	090-010302-03	REMOTE BOARD T=1.6mm 94HB (46X119mm)
Q001	031-278050-03	TRANSISTOR NPN KTC8050C
D001-004	030-134148-00H	D SILICON IN4148
	210-010301-01S	REMOTE BATTERY COVER

2. SYS CON P.C. BOARD

REF. NO.	PARTS No.	DESCRIPTION
D 3001/3002/3004-3015/3123/3124	030-320131-01H	D SILICON H 1SS131T T52
D 3080-3087/3102-3109/3111-3112		
D 3003/3016/3017/3110/3120 (for AC-720/723R/725K)	030-320131-01H	D SILICON H 1SS131T T52
D 3027/3028/3030/3131/3037/3038/ D 3040/3041/3043/3044/3052/3053/ D 3055/3056	030-560034-10	D LED MYB34C YELLOW
D 3026/3029/3026/3039/3042/3054/ D 3200-3211/3051	030-540034-04	D LED MGB34D GREEN
D 3020/3024/3025/3032-3034/3045-3049	030-560031-00	D LED MYB31CA YELLOW
D 3021	030-510031-00	D LED MSB31TA RED
D 3050(for AC-720/723R/725K)	030-530031-04	D LED MGB31C GREEN
D 3113(S1/Y7)	030-320131-01H	D SILICON H 1SS131T T52
D 3114(for AC-525K/725K)	030-320131-01H	D SILICON H 1SS131T T52
D 3115(S1)	030-320131-01H	D SILICON H 1SS131T T52
D 3116(for AC-523R/723R)	030-320131-01H	D SILICON H 1SS131T T52
D 3117(for AC-525K/725K)	030-320131-01H	D SILICON H 1SS131T T52
D 3119(E1/B1/RE1/E3)	030-320131-01H	D SILICON H 1SS131T T52
D 3121(for AC-520/523R/525K)	030-320131-01H	D SILICON H 1SS131T T52
FR3001(for AC-720/723R/725K)	013-689105-82	R FUSE V S10 FR25 1/4W 6R8J
IC3001	034-801101-02	IC M38197MA-174FP TX3-SYS75-1
IC3002	033-509121-29	IC PST-9121 T05
IC3003	033-002402-42	IC XL24C02P
IC3004	033-202011-14	IC TA2011S
IC3005-3007/3200	034-304094-18	IC BU4094BCF
IC3100	033-304094-18A	IC BU4094BC
IC3101(for AC-523R/723R)	034-106579-33	IC SAA6579T-T
IC3102(for AC-523R/723R)	034-307073-16	IC LC7073M
IC3300(for AC-720/723R/725K)	034-816312-13	IC UPD16312
IN3001	035-131065-00	IND FL SVA-16II05
IN3300(for AC720/723R/725K)	035-130519-00	IND FL SVA-05MS19
J 3401	061-121406-00	PHONE J HSJ1406-01-010 3.5
J 3402(for AC-525K/725K)	061-121406-00	PHONE J HSJ1406-01-010 3.5
J 3003	060-406123-99	SOCKET 00 6216 006 000 6P
J 3022	060-423124-99	SOCKET 00 6216 023 100 23P
J 3033/3006/3907	060-406123-99	SOCKET 00 6216 006 000 6P
P 3301(for AC-520/523R/525K)	060-103204-07	PLUG S3B-PH-K WHT 3P
P 3301A(for AC-720/723R/725K)	060-111204-07	PLUG S11B-PH-K WHT 11P
P 3011(for AC-510/513R/515K)	060-422124-99	PLUG TKC-V22P-A1 22P
P 3011A(for AC-710/713R/715K)	060-424124-99	PLUG TKC-V24P-A1 24P
PH3001	036-600446-01	DETECTOR SPS-446-1
SW3001	040-002410-20	SW ROTARY EC16B24304
SW3002	046-080001-00	SW PUSH VPS-800
TR3003-3005/3125/3126	031-440144-05V	DTR DTC144ES(47-47) T05
TR3101/3103/3113-3123	031-211048-25V	TR 2SA1048 Y,GR T05
TR3100/3102/3104-3106	031-234682-00V	TR 2SC4682T05
TR3111(for AC-523R/723R)	031-211048-25V	TR 2SA1048 Y,GR T05
TR3112(for AC-523R/723R)	031-440144-05V	DTR DTC144ES(47-47) T05
TR3121(for AC-720/723R/725K)	031-211048-25V	TR 2SA1048 Y,GR T05

TR3300-3301(for AC-720/723R/725K)
 TR3302(for AC-720/723R/725K)
 TS3001-3004/3311-3028/3300/3301
 TS3005-3010(for AC-720/723R/725K)
 V3906/3907
 VR3001
 VR3100/3102
 VR3101/3103
 W 3001(for AC-520/523R/525K)
 W 3001A(for AC-720/723R/725K)
 W 3007
 W 3008
 W 3011
 W 3013/3401
 X 3001
 X 3002
 X 3100(for AC-523R/723R)
 X 3101(for AC-523R/723R)

031-233576-00V
 031-430114-05V
 046-110201-00
 046-110201-00
 060-615126-07
 011-202298-00
 112-222311-05
 112-102311-05
 063-552701-03
 063-552701-11
 077-622107-15
 077-622107-16
 077-622107-05
 078-125021-00
 007-208000-06
 037-032768-10M
 007-204000-06
 037-004332-10Z

TR 2SC3576 T05
 DTR DTA114ES(10-10) T05
 SW TACT 1.T-1102A 160GM
 SW TACT 1.T-1102A 160GM
 SOCKET 15FE-BT-VK-N 15P
 VR ROTARY RK11K1140 L17.5 B202
 R S-FIX V T05EVNDCAA3 0.10W222
 R S-FIX V T05EVNDCAA3 0.10W102
 WA PH-SAN L270 3P
 WA PH-SAN L270 11P
 WF 2468#26 P2.0 C09 L100 15P
 WF 2468#26 P2.0 C09 L100 16P
 WF 2468#26 P2.0 C09 L100 5P
 WA EARTH LUG L-200
 OSC CE CST8.00MTW 8.000MHZ
 OSC X'TAL C-002RX 32.768KHZ
 OSC CE CST4.00MGW 4.000MHZ
 OSC X'TAL HC-49/U-S 4.33200MHZ

3. MAIN P.C. BOARD

REF. NO.

D 001/010/022/024/042/044/046/083/
 D 121/123/124/141-143/155-156/
 D 175-176/221/724
 D 002/003(for AC-520/523R/525K)
 D 002A/003A(for AC-720/723R/725K)
 D 004/005/043/085/144
 D 006-009
 D 021/023/081/151/152/158/171/172/178
 D 231/232
 D 025/145/721-723
 D 041
 D 045
 D 063/066/751-753(for AC-520/523R/525K)
 D 063A/066A(for AC-720/723R/725K)
 D 084
 D 153/173
 D 154/174
 D 157/177
 D 224/771-772/775(for AC-720/723R/725K)
 D 531-533(for AC-725K)
 D 551-554(for AC-525K/725K)
 F1(for AC-520/523R/525K)
 F2(for AC-525K)
 F1(for AC-720/723R/725K)
 F2(for AC-725K)
 IC 021
 IC 101/801
 IC 201(for AC-520/523R/525K)
 IC 201A(for AC-720/723R/725K)
 IC 501(for AC-525K/720/723R/725K)
 IC 581
 IC 602(for AC-720/723R/725K)
 IC 701
 IC 731
 IC 751/761(for AC-720/723R/725K)
 IC 761A(for AC-520/523R/525K)
 IC 771(for AC-720/723R/725K)
 IC 802(for AC-720/723R/725K)
 J 011(for AC-520/523R/525K)

PART No.

030-320131-01H
 030-310040-02
 030-310060-02
 030-410051-20H
 030-310152-06
 030-314002-10H
 030-410062-10H
 030-410075-10H
 030-410015-03H
 030-410062-10H
 030-410075-10H
 030-410330-00H
 030-410030-10H
 030-410110-10H
 030-315401-00
 030-320131-01H
 030-320131-01H
 030-320131-01H
 082-222000-06
 082-222000-06
 082-222500-06
 082-222500-06
 033-507805-00B
 033-304094-18A
 033-204201-16
 033-204221-16
 033-K65843-12
 033-904558-30A
 034-K02177-74
 034-262422-12
 033-203835-18
 033-209412-14
 033-009260-14
 033-904558-30A
 033-304094-18A
 060-422122-99

DESCRIPTION

D SILICON H 1SS131T T52
 D SILICON DBF40C 200/4 0A
 D SILICON DBF60C 200/6 0A
 D ZENER MTZJ5.1B T52
 D SILICON RL152M11S15 100/1.5A
 D SILICON 1N4002-F T52 100/1A
 D ZENER MTZJ6.2A T52
 D ZENER MTZJ7.5C T52
 D ZENER MTZJ15B T52
 D ZENER MTZJ6.2A T52
 D ZENER MTZJ7.5C T52
 D ZENER MTZJ33B T52
 D ZENER MTZJ3.0A T52
 D ZENER MTZJ11A T52
 D SILICON IN5401M24S15 3A/100V
 D SILICON H 1SS131T T52
 D SILICON H 1SS131T T52
 D SILICON H 1SS131T T52
 FUSE TIME 218 250V 2.00A
 FUSE TIME 218 250V 2.00A
 FUSE TIME 218 250V 2.50A
 FUSE TIME 218 250V 2.50A
 IC ML7805FA 5V/1A
 IC BU4094BC
 IC STK4201-2
 IC STK4221-2
 IC M65843AFP
 IC NJM4558L
 IC NJM2177AFB3
 IC M62422FP
 IC BA3835S
 IC TC9412P
 IC TC9260P
 IC NJM4558L
 IC BU4094BC
 SOCKET TKC-V22X-A1 22P

J 011A(for AC-720/723R/725K)	060-424122-99	SOCKET TKC-V24X-A1 24P
J 201(for AC-520/523R/525K)	061-122000-00	PHONE J H5J2000-01-010 3.5
J 201A(for AC-720/723R/725K)	061-123000-00	PHONE J H5J3000-01-010 3.5
L 201/251	004-285103-08	COIL FIX2 202AK018A COILS 2R2K
L 281(E 1/B1/RE1/E3/A3)	084-070410-00	COIL BALUM OPW/5-8-14-5H2
L 801	002-300002-09	COIL LF LF-4D-102 102UH
P 006	060-112204-07	PLUG S12B-PH-K WHT 12P
P 012	060-102045-20	PLUG B2P-3-VH P7.92 2P
P 013/902	060-405001-17	PLUG RTB-1.5-5P 5P
P 014	060-104205-27	PLUG B4B-PH-K WHT 4P
P 015(for AC-720/723R/725K)	060-403001-17	PLUG RTB-1.5-3P 3P
R 004-005/043	△ 013-478205-75	R OMF H S10FLR ERG12SP1/2WR47J
R 047-048	△ 013-221205-75	R OMF H S10FLR ERG12SP1/2W221J
R 081	△ 013-478205-75	R OMF H S10FLR ERG12SP1/2W47J
R 021/103/106/109/112	△ 013-109205-75	R OMF H S10FLR ERG12SP1/2W1R0J
R 153/173	△ 013-122305-75	R OMF H S12 FLR ERG1SP 1W 122J
R 209/259/283/210/260	△ 013-100305-75	R OMF H S12 FLR ERG1SP 1W 100J
R 212/262	013-108410-51	R CT P F09 PLATE 2W R10K
RL 001-002	△ 006-110212-04	RELAY POWOSA-SS 212DM5 TV-3
TM 201	061-780401-00	TERMINAL PUSH CJ-9007-060 4P
TR 022/024/026/043	031-440114-05V	DTR DTC114ES(10-10) T05
TR 023/281	031-221443-00V	TR 2SB1443 TV2
TR 025	031-220621-00V	TR 2SB621 R,S T05
TR 044/081	031-221375-00	TR 2SB1375
TR 045/201-203/251-253	031-232458-25V	TR 2SC2458 Y,GR T05
TR 046	031-242012-00	TR 2SD2012
TR 021/041/082/101-104/141	031-211048-25V	TR 2SA1048 Y,GR T05
TR 121-124	031-440114-60V	DTR DTC114TS(10) T05
TR 151	031-590175-00	TR FET 2SJ175
TR 152-172	031-232459-57V	TR 2SC2459 GR,BL T05
TR 171	031-251093-00	TR FET 2SK1093
TR 221	031-430114-05V	DTR DTA114ES(10-10) T05
TR 222(only for AC-720)	031-430114-05V	DTR DTA114ES(10-10) T05
TR 285	031-440144-05V	DTR DTC144ES(47-47) T05
TR 531(for AC-725K)	031-430114-19V	DTR DTA114TS(10) T05
TR 532-533/535-536/539-541 (for AC-725K)	031-440144-60	DTR DTC144TS(47) T05
TR 534/537-538(for AC-725K)	031-440114-60V	DTR DTC114TS(10) T05
TR 551-552(for AC-525K/725K)	031-440114-60V	DTR DTC114TS(10) T05
TR 601-602(for AC-720/723R/725K)	031-430114-19V	DTR DTA114TS(10) T05
TR 603-604(for AC-720/723R/725K)	031-440114-60V	DTR DTC114TS(10) T05
W 014	063-552301-04	WA SAN-PH #24 L230 4P
W 302(for AC-720/723R/725K)	063-555501-07	WA SAN-PH L550 7P
W 801(for AC-525K/725K)	063-502401-11	WA SDN L200 6P
X 501(for AC-720/723R/725K)	007-002000-40	OSC CE CSA2.00MG 2.000MHZ
X 551(for AC-525K/725K)	007-200400-03	OSC CE DCRK400 400.000KHZ

4. TC-DK P.C. BOARD

REF. NO.	PARTS No.	DESCRIPTION
D 1300-1304	030-314002-10H	D SILICON 1N4002-F T52 100/1A
D 1400/1401/1721	030-320131-01H	D SILICON H 1SS131T T52
D 1501	030-410051-10H	D ZENER MTZJ5.1A T52
FL1611/1621/1661/1671	007-100100-09	COIL TUN 1 100Z-121 100.00KHZ
IC1001/1602	033-314052-21	IC MC14052BCP
IC1002	033-904558-30A	IC NJM4558L
IC1003(only for AC-720-723R/725K)	033-314053-21	ICMC14053BCP
IC1100	033-601782-64Q	IC CXA1782BQ
IC1200	033-K02508-64	IC CXD2508AQ
IC1210	033-904558-30A	IC NJM4558L

IC1300	033-209258-61	IC KA9258D
IC1400	033-206247-18	IC BA6247
IC1601	034-101897-64	IC CXA1897Q
IC1701/1702	034-304094-18	IC BU4094BCF
J 1001(for AC-520)	061-762441-00	PIN J HSP-244V1-05 2P
J 1001A(for AC-720)	061-472461-00	PIN J HSP-246V1-05 6P
J 1100	060-423123-99	SOCKET 00 6216 023 000 23P
J 1100	060-416109-99	SOCKET 00 6232 018 006 16P
L 1501(S1/U5/U8/Y6/Y7)	005-229056-01H	COIL FIX 1 LAP02TA T26 2R2J
L 1721	005-101056-00H	COIL FIX 1 LAP02TA T26 101J
P 1004	060-108205-27	PLUG B8B-PH-K WHT 8P
P 1005	060-103205-27	PLUG B3B-PH-K WHT 3P
P 1200	036-400032-01	SOCKET OPTICAL GP1F32T
P 1400	060-105204-27	PLUG S5B-PH-K WHT 5P
P 1401	060-107204-29	PLUG S7B-PH-K WHT 7P
P 1402	060-106206-27	PLUG S6B-PH-K WHT 6P
T 1731	002-800002-09	COIL OSC 1 C1047
TM1501	061-480312-00	TERMINAL LEVER HSP-312V-02
TR1100/1400/1102/1743	031-211048-25V	TR 2SA1048 Y,GR T05
TR1300/1301	031-221443-00V	TR 2SB1443 S,E T05
TR1302/1601/1621/1651/1671/1741	031-440114-05V	DTR DTC114ES(10-10) T05
TR/1721/1742/1751/1752/1756		
TR1401/1501/1611/1612/1661-1662/1701	031-232458-25V	TR 2SC2458 Y,GR T05
TR1502(for AC-523R/723R)	031-250304-06V	TR FET 2SK304 E,F T05
TR1613/1663	031-241012-06V	TR 2SD1012-V-SPA-AC F,G,H T05
TR1010/1060/1101/1631/1635/1642/1681	031-440114-60V	DTR DTC114TS(10) T05
TR1685/1692		
TR1641/1643/1691/1693	031-440114-60V	DTR DTC114TS(10) T05
(for AC-720/723R/725K)		
TR1702/1722(for AC-725K)	031-430114-05V	DTR DTA114TS(10-10) T05
TR1723-1725	031-231815-26V	TR 2SC1815 Y,GR T05
TR1726(E1/B1/RE1/E3)	031-211048-25V	TR 2SA1048 Y,GR T05
TR1731-1732(E1/B1/RE1/E3)	031-232458-25V	TR 2SC2458 Y,GR T05
TU1501(E1/E2/B1/RE1/E3)	103-146601-04	TUNER TFCB3E720A FM/MW/LW
TU1501A(S1/U5/U8/Y6)	103-146401-04	TUNER TFCB1U717A FM/AM
TU1501B(Y7)	103-146101-04	TUNER TFCB1S713A FM/MW/SW
VR1200	112-103311-05	R S-FIX V T05EVNDCAA3 0 10W103
W900	077-955168-16	CORD FFC BD L150 16P
W 1006	063-B01001-12	WA PH L100 12P
W 1400/1401	077-322087-09	WF 2468#26 P2.0 C09 L80 9P
W1500	072-122008-50	WD 1007# 22 CO 180
X 1200	037-169344-30J	OSC X'TAL HC-49/U16934.400MHz

5. POWER-SUB P. C. BOARD

(AC-720/723R/725K only)

REF NO.

D 2001
D 2002-2005
IC2301
J 2301
L 2301/2351
L 2381(only AC-720/723R)
P 2301
P 2302
R 2309/2359/2310/2360
R 2312/2362
TR2301-2303/2351-2353
F5
F6

PARTS NO

030-310040-02
030-314002-10H
033-404142-16
061-780243-00
004-285103-08
084-070410-00
060-404001-17
060-107205-27
013-100305-75
013-108410-51
031-232458-25V
⚠ 082-223150-06
⚠ 082-223150-06

DESCRIPTION

D SILICON DBF40C 200/4.0A
D SILICON 1N4002-F T52 100/1A
IC STK4142-2
PIN J HSP-243V-06 3P
COIL FIX2 202AK018A COILS 2R2K
COIL BALUM OPW 15-8-14-5H2
PLUG RTB-1.5-4P 4P
PLUG B7B-PH-K WHT 7P
R OMF H S12 FLR ERG1SP 1W 100J
R CT P F09 PLATE 2WR10K
TR 2SC2458 Y,GR T05
FUSE TIME 218 250V 3.15A
FUSE TIME 218 250V 3.15A

6. P.C. BOARD BLOCK

REF. NO.	PARTS No.	DESCRIPTION
1-a(AC-520/523R)	771-AC52001-01	MAIN P.C. BOARD
1-b(AC-525)	771-AC52001-45	MAIN P.C. BOARD
1-c(AC-520/523R)	771-AC52001-02	PRI. P.C. BOARD
1-d(AC-525K)	771-AC52001-46	PRI. P.C. BOARD
1-e(AC-525/523R/525K)	771-AC52001-03	SEC. P.C. BOARD
2-a(AC-520 B1/E1/E3)	771-AC52001-04	TC-TU/CD/DK P.C. BOARD
2-b(AC-520/525K)	771-AC52001-26	TC-TU/CD/DK P.C. BOARD
2-c(AC-523R)	771-AC52001-37	TC-TU/CD/DK P.C. BOARD
2-d(AC-525K Y7)	771-AC52001-81	TC-TU/CD/DK P.C. BOARD
2-e(AC-520/523R)	771-AC52001-05	TC-OSC P.C. BOARD
2-f(AC-520/525K)	771-AC52001-27	TC-OSC P.C. BOARD
2-g(AC-520/523R/525K)	771-AC52001-06	TC-RELAY P.C. BOARD
3-a(AC-520/523R/525K)	771-AC52001-07	SYS-SYSFLD P.C. BOARD
3-b(AC-520 B1/E1/E3)	771-AC52001-08	SYS-MECH CON P.C. BOARD
3-c(AC-520 S1)	771-AC52001-30	SYS-MECH CON P.C. BOARD
3-d(AC-523R)	771-AC52001-41	SYS-MECH CON P.C. BOARD
3-e(AC-525K U5/U8/Y6)	771-AC52001-52	SYS-MECH CON P.C. BOARD
3-f(AC-525K Y7)	771-AC52001-85	SYS-SYSFLD P.C. BOARD
3-g(AC-520/523R/525K)	771-AC52001-09	SYS-DECK LED P.C. BOARD
3-h(AC-520/523R/525K)	771-AC52001-10	SYS-CDOPE P.C. BOARD
3-i(AC-520/523R)	771-AC52001-11	SYS-MIC JACK P.C. BOARD
3-j(AC-525K)	771-AC52001-55	SYS-MIC JACK P.C. BOARD
4a(AC-520)	790-010301-01	REMOTE P.C. BOARD
4b(AC-720)	790-010302-01	REMOTE P.C. BOARD
5-a(AC-720/723R)	771-AC72001-01	MAIN P.C. BOARD
5-b(AC-725K)	771-AC72001-47	MAIN P.C. BOARD
5-c(AC-720/723R)	771-AC72001-02	PRI P.C. BOARD
5-d(AC-725K)	771-AC72001-48	PRI P.C. BOARD
5-e(AC-720/723R/725K)	771-AC72001-03	SEC. P.C. BOARD
6-a(AC-720 B1/E1/E3)	771-AC72001-04	TC-TU/CD/DK P.C. BOARD
6-b(AC-720 S1 AC-725K U5/U8/Y6/Y7)	771-AC72001-28	TC-TU/CD/DK P.C. BOARD
6-c(AC-725K Y7)	771-AC72001-83	TC-TU/CD/DK P.C. BOARD
6-d(AC-720/723R)	771-AC72001-05	TC-OSC P.C. BOARD
6-e(AC-720/725K)	771-AC72001-29	TC-OSC P.C. BOARD
6-f(AC-720/723R/725K)	771-AC72001-06	TC-RELAY P.C. BOARD
7-a(AC-720/723R/725K)	771-AC72001-07	SYS-SYSLED P.C. BOARD
7-b(AC-720 B1/E1/E3)	771-AC72001-08	SYS-MECH CON P.C. BOARD
7-c(AC-720 S1)	771-AC72001-32	SYS-MECH CON P.C. BOARD
7-d(AC-723R)	771-AC72001-43	SYS-MECH CON P.C. BOARD
7-e(AC-725K U5/U8/Y6)	771-AC72001-54	SYS-MECH CON P.C. BOARD
7-f(AC-720/723R/725K)	771-AC72001-09	SYS-DECKLED P.C. BOARD
7-g(AC-720/723R/725K)	771-AC72001-10	SYS-CDOPE P.C. BOARD
7-h(AC-720/723R)	771-AC72001-11	SYS-MIC JACK P.C. BOARD
7-i(AC-725K)	771-AC72001-57	SYS-MIC JACK P.C. BOARD
8-a(AC-720/723R)	771-AC72001-12	PO SU 720A P.C. BOARD
8-b(AC-725K)	771-AC72001-09	PO SU 720A P.C. BOARD
8-c(AC-720/723R/725K)	771-AC72001-13	PO SU 720B P.C. BOARD

7. YMCO3 P.C. BOARD

REF. NO.	PART NO.	DESCRIPTION
D4410	030-600048-00	D LED GL4800
TR4410	031-594800-00	TR PHOTO PT4800
J4410	060-405124-99	SOCKET 006216005100 5P
J4411	060-405123-99	SOCKET 006216005000 5P
W4410	077-622077-02	WF2468 #26 P 2 0 CO9LO72P
W4412	063-555301-05	WA SAN-PHL530 5P

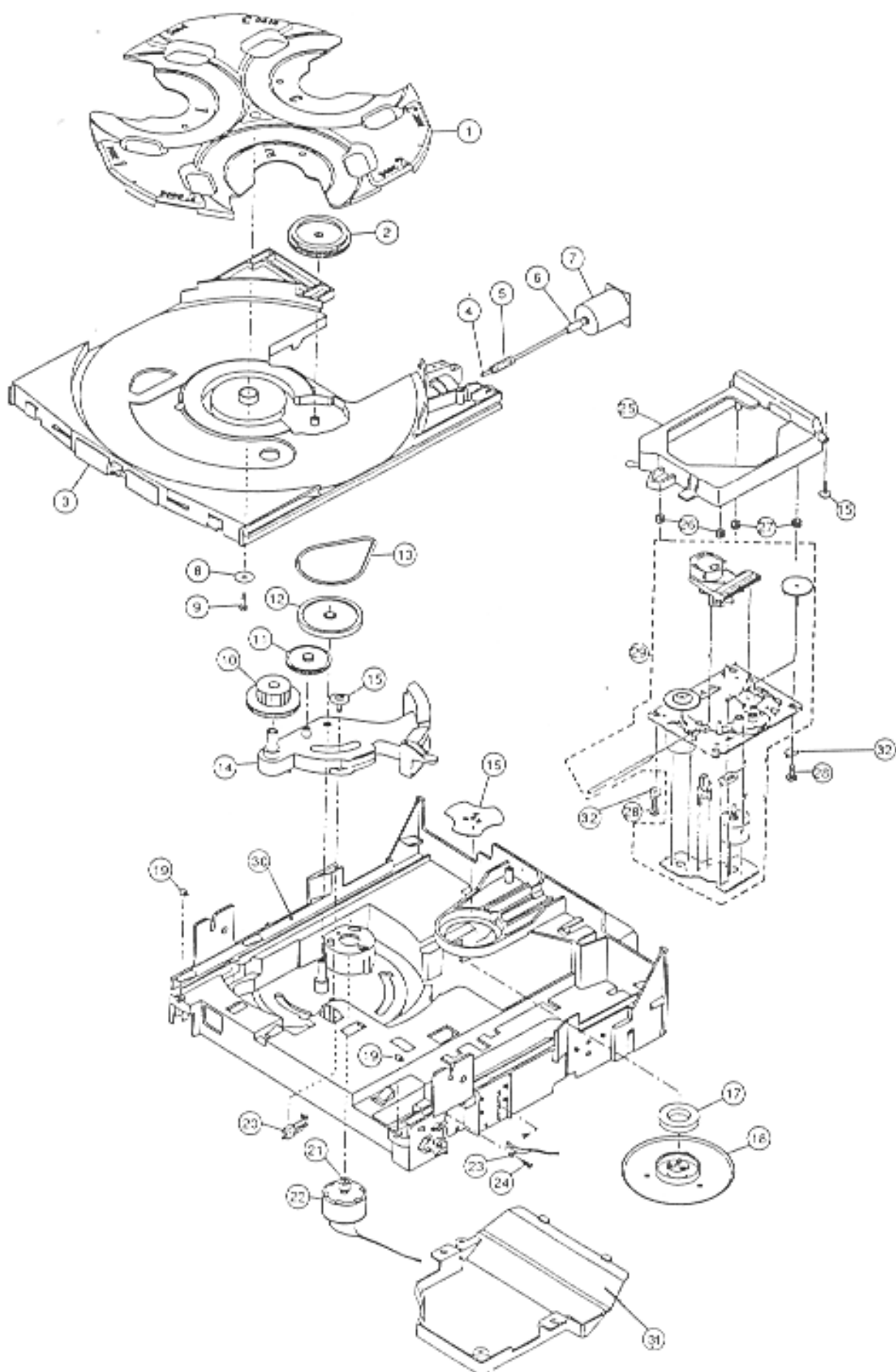
8. ACCESSARY

REF. NO.	PART No.	DESCRIPTION
1	790-010302-01	REMOCON RC-S520
2	790-010302-02	REMOCON RC-S720

9. CD MECHANISM

REF. NO.	PARTS NO.	DESCRIPTION
1	229-385602-01S	HOLDERDISC
2	288-385601-01Z	GEAR WORMWHEEL TABLE
3	220-385602-01S	TRAY LOADING
4	438-385601-01	SHAFT
5	288-385604-01Z	WORM
6	239-385601-01Z	JOINT
7	743-037012-54	MOTOR PF-370CA-15370 12V
8	634-150030-08	PW30X150X080 THK
9	619-300208-00	TAPING SCREW 3X1 25X8mm
10	288-385605-01Z	GEAR LOADING (A)
11	288-385606-01Z	GEAR LOADING(B)
12	288-385602-01Z	PULLEY GEAR
13	334-385604-01	BELT LOADING
14	288-385603-01S	HOLDER GEAR
15	615-300308-00	BWT 3X8mm
16	428-385603-01	PLATE CLAMPER
17	489-383801-01	MAGNET DISC CLAMP
18	229-385606-01S	CLAMPER
19	259-385602-01Z	ROLLER
20	047-102127-00	LEAF SWITCH LSA-2127E
21	243-385601-01Z	PULLEY
22	743-050009-54	MOTOR RF-500TB-14415 D/V
23	047-101119-01	LEAF SWITCH ISA-1119H
24	610-260208-10	R/T 2.6X8mm
25	220-385601-01S	HOLDER TRAVERSE
26	334-385606-01	INSULATOR
27	334-385606-01	INSULATOR
28	610-200216-00	SELF-SCREW TAPING B/T 2.0X16
29	747-021301-02	MECHA TRAVERSE KSM213CCM
30	220-385603-01R	CHASSIS MAIN
31	219-385601-01Z	CD MECH COVER
32	634-100027-05	METAL WASHER 10X2.7X0.5

CD MECHANISM BLOCK



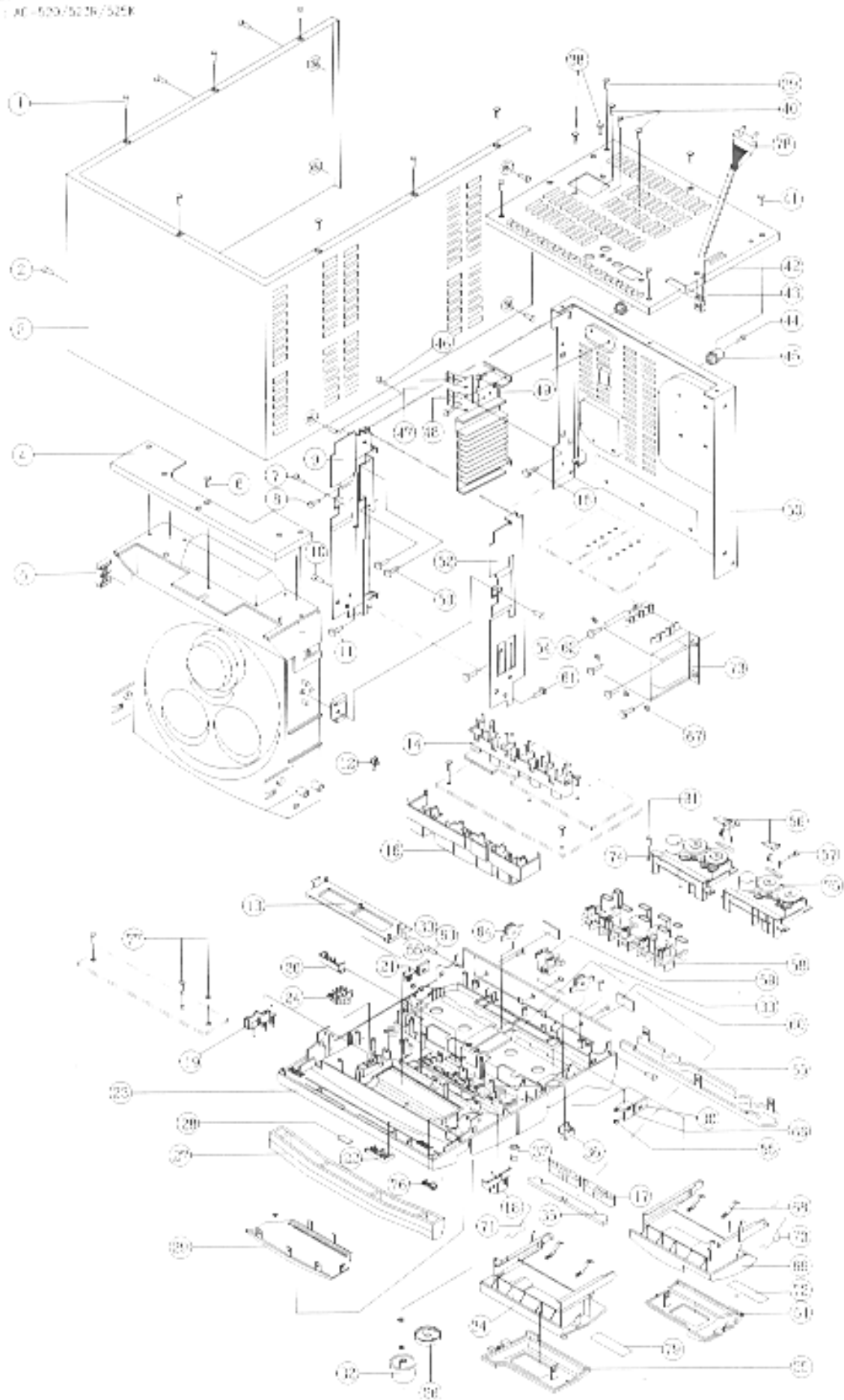
10. AC-520/523R/525K

REF. NO.	PARTS NO.	DESCRIPTION
1	606A301208-00	TAPING SCREW P TYPE BID H 3X1.25PX8MM
2	606A301208-00	TAPING SCREW P TYPE BID H 3X1.25PX8MM
3	402-385002-02	MAIN COVER SILVER
4	495-385027-01	REAR CABINET SUB
5	284-385001-01R	MECH SPACER BLACK HI-PS
6	619-300208-00	TAPING SCREW P TYPE BID H 3X8MM BLACK
7	619-300208-00	TAPING SCREW P TYPE BID H 3X8MM BLACK
8	619-300208-00	TAPING SCREW P TYPE BID H 3X8MM BLACK
9	428-385001-01	CD BRACKET ' L '
10	619-300208-00	TAPING SCREW P TYPE BID H 3X8MM BLACK
11	619-300208-00	TAPING SCREW P TYPE BID H 3X8MM BLACK
12	292-AA0302-01S	DOLBY BUTON
13	229-385011-01R	FLD BRACKET HI-PS
14	291-AA0302-01S	FUNCTION BUTTON ABS
15	606A301208-00	TAPING SCREW P TYPE BID H 3X1.25PX8MM
16	291-AA0306-01Z	OP BUTTON (AC-420)
17	250-AA0301-01S	LAMP HOLDER WHITE ABS
18	292-AA0301-01S	REC BUTTON RED (P-96014) ABS
19	291-AA0501-01S	CH BUTTON DARK GREY (P-92008) ABS
20	291-AA0305-01S	POWER BUTTON DARK GREY (P-92008) W/MET GREY(T-96008HB) SP. SILK'S RED(S-88011) LETT. ABS
21	229-AA0314-01Z	LATCH BRACKET (L) POM
22	291-AA0301-01S	DISC BUTTON DARK GREY
23-a(AC-520)	200-AA0311-03R	FRONT CABINET HI-PS
23-b(AC-523R)	200-AA0311-04R	FRONT CABINET HI-PS
23-c(AC-525K)	200-AA0312-02R	FRONT CABINET HI-PS
24	275-AA0301-01S	TIMER BUTTON DARK GREY (P-92008) ABS
25	261-AA0301-01K	CASS DOOR LENS (L) SMOKE
26	273-AA0302-01S	VOLUME RING DARK GREY (P-92008) W/PLATTING ABS
27	219-AA0311-01R	CD DOOR HI-PS
28	266-385001-02S	NAME PLATE ' AKAI '
29	263-AA0301-02K	DISPLAY LENS AS
30	229-385016-01Z	LATCH BRACKET BLACK POM
31	619-300210-00	TAPPING SCREW P TYPE BID H 3X10MM BLACK
32	273-AA0301-01S	VOLUME KNOB ABS
33	619-300210-00	TAPING SCREW P TYPE BID H 3X10MM BLACK
34	211-AA0301-01S	CASS DOOR (L) HI-PS
35	418-AA0301-01	OVERLAY CLEAR SILK'S WHITE(S-95001) COLOR PVC
36	291-AA0304-01S	BASS BUTTON MILKY WHITE (CL-301) ABS
37	273-AA0303-01S	MIC KNOB DARK GRAY ABS
38	606A301208-00	TAPING SCREW P TYPE BID H 3X1.25PX8MM
39	606A301208-00	TAPING SCREW P TYPE BID H 3X1.25PX8MM
40	614-300208-00	SELF-TAPPING SCREW B/T 3X8MM BLACK
41	606A301208-00	TAPING SCREW P TYPE BID H 3X1.25PX8MM
42-a(AC-520 E/B)	495-AA0301-04	PANEL REAR
42-b(AC-520 S)	495-AA0301-05	PANEL REAR
42-c(AC-523R(E))	495-AA0301-06	PANEL REAR
42-d(AC-525K U5.Y6)	495-AA0302-03	PANEL REAR
42-e(AC-525K U8.Y7)	495-AA0302-04	PANEL REAR
43	650-381301-01	CORD BUSHING
44	619-300408-00	TAPING SCREW B/T WASHER 3X8MM BLACK
45	207-385101-01Z	REAR FOOT (PLASTIC) BLACK EVA
46	619-300208-00	TAPING SCREW P TYPE BID H 3X8MM BLACK

47	428-385003-01	HOLDER BRACKET SECC-E20 T=1
48	428-385101-01	HOLDER BRACKET (H)
49	481-385111-01	HEAT SINK H-2
50	493-385112-01	METAL BOTTOM CABINET (H) 1MM
51	261-AA0302-01K	CASS DOOR LENS (R) SMOKE
52	428-385002-01	CD BRACKET 'R'
53	619-300208-00	TAPING SCREW P TYPE BID H 3X8MM BLACK
54	619-300208-00	TAPING SCREW P TYPE BID H 3X8MM BLACK
55	477-385011-01	LATCH PUSH SPRING
56	483-AA0301-01	SHIELD HEAD
57	604-264501-00A	TAPPING SCREW C TYPE BID 2 6X5MM
58	229-AA0312-01S	LID BRACKET TX-3 WHITE ABS
59	229-AA0303-01S	BRACKET BLACK ABS
60	330-385001-01	FRONT CUSHION FOOT
61	619-300208-00	TAPING SCREW P TYPE BID H 3X8MM BLACK
62	602-407008-60A	TAPPING SCREW P TYPE WASHER H 4X8MM
63	619-300212-00	TAPPING SCREW P TYPE BID H 3X12MM
64	703-385002-01	DAMPER DA-60W/W (105) ASSEMBLY
65	263-AA0303-01K	DECK DIR LENS AS
66	229-AA0315-01Z	LATCH BRACKET (R) POM
67	663-076040-10S	SPRING WASHER 7.6X4X1MM THK SIL CMT
68	470-AA0321-01	CASS DOOR SPRING SHEET
69	211-AA0302-01S	CASS DOOR (R) HI-PS
70	471-AA0302-01	CASS DOOR SPRING WIRE (R)
71	471-AA0301-01	CASS DOOR SPRING WIRE (L)
72	211-AA0502-02S	CASS DOOR PALTE (R)-B BLACK
73-a(AC-510/513R)	001-863851-42	△ POWER TRANSFORMER C1048E
73-b(AC-515K)	001-863851-02	△ POWER TRANSFORMER C1048-U
74	741-495300-09	LOGICAL CONTROL DECK MECHA GT-E5300 (P/B)
75	471-495600-09	LOGICAL CONTROL DECK MECHA GT-E5600 (R/P)
76	291-AA0303-01S	BALANCE BUTTON BLACK ABS
77	619-300210-00	TAPINET SCREW P TYPE BID H 3X10MM BLACK
78-a(except B1,Y6,S1)	071-669078-00A	△ AC LINE CORD VDE
78-b(B1,Y6)	071-449078-20	△ AC LINE CORD BS
78-c(S1)	071-559078-10	△ AC LINE CORD SAA
79	211-AA0501-02S	CASS DOOR PLATE (L) SILVER

FPD ASSEMBLY BLOCK

MODEL : AC-520/522R/525K

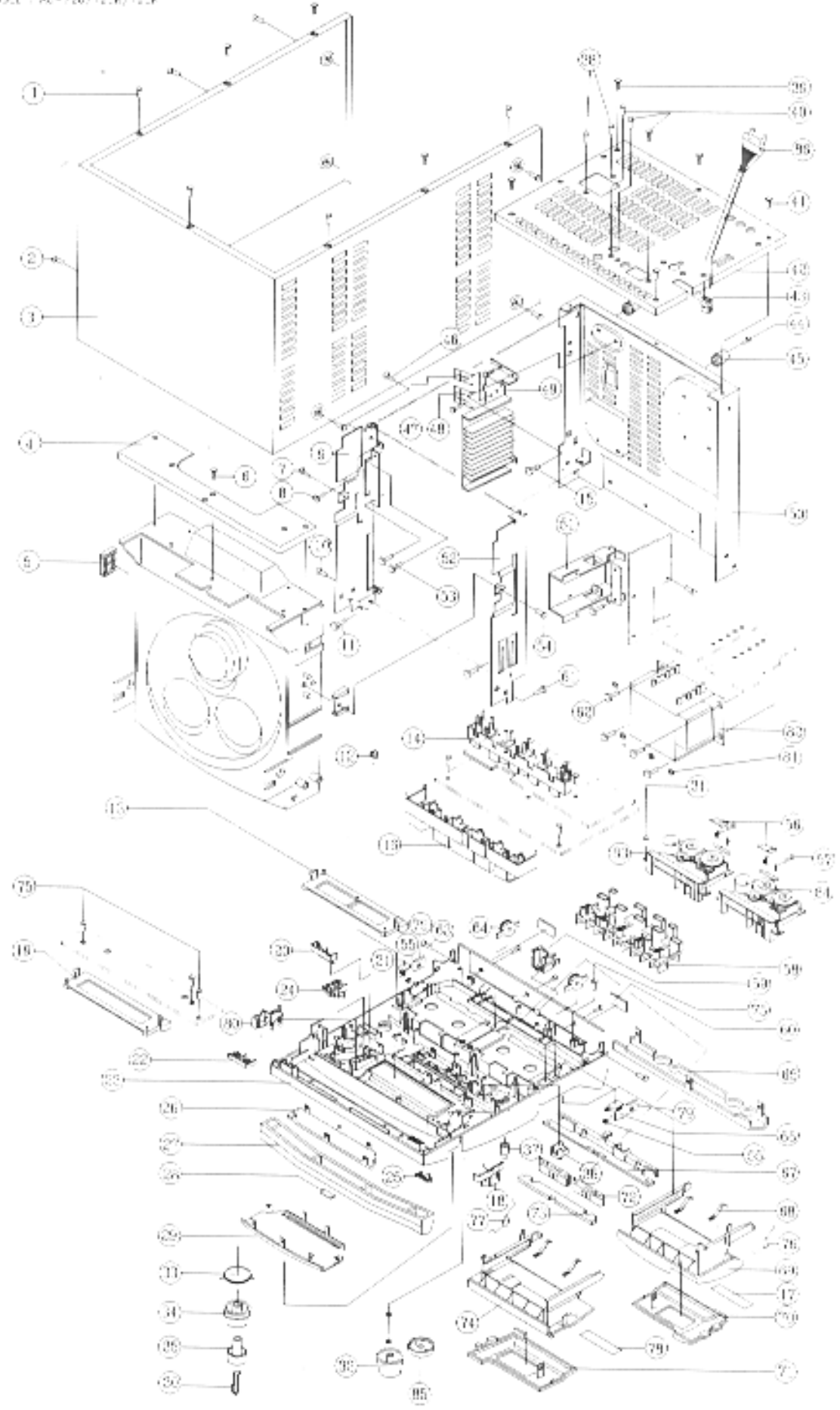


11. AC-720/723R/725K

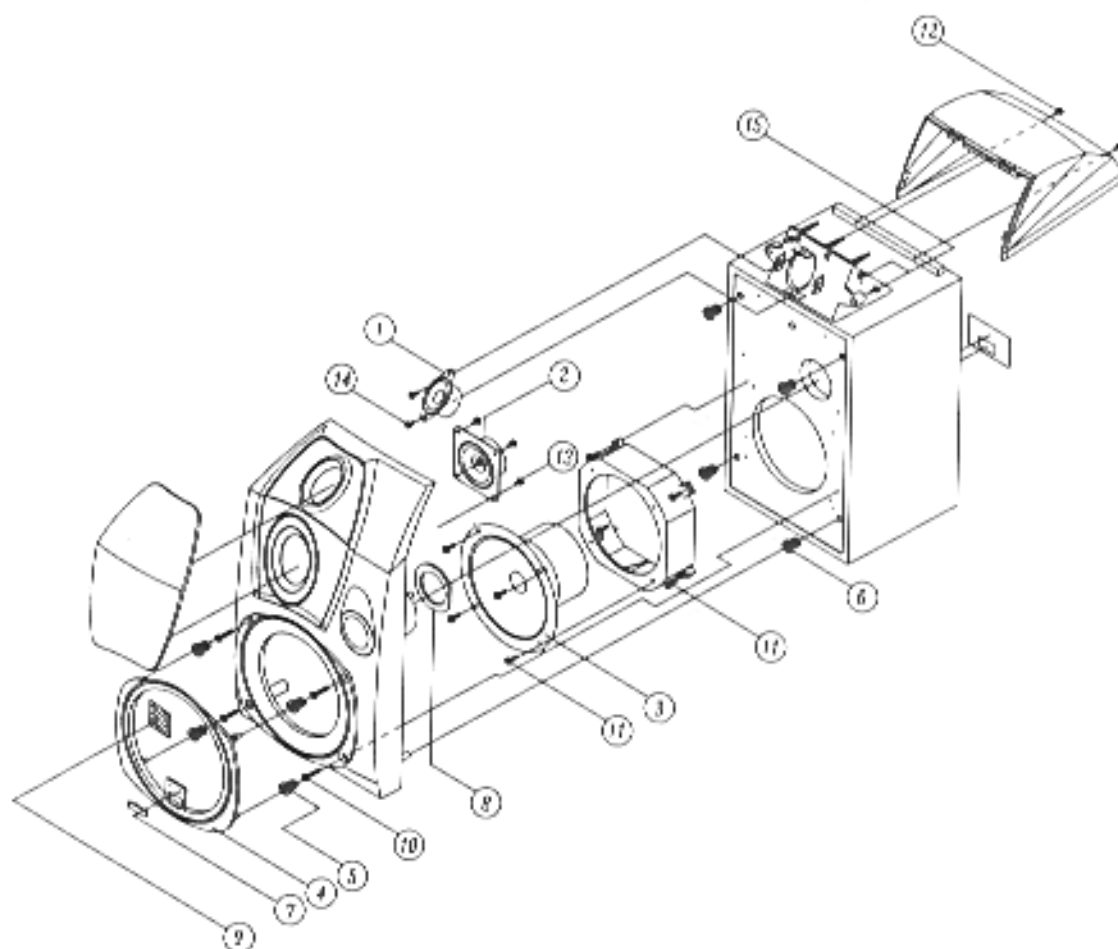
REF. NO.	PARTS NO.	DESCRIPTION
1	606A301208-00	TAPING SCREW P TYPE BID H 3X1.25PX8MM
2	606A301208-00	TAPING SCREW P TYPE BID H 3X1.25PX8MM
3	402-385002-02	MAIN COVER SILVER
4	495-385027-01	REAR CABINET SUB
5	284-385001-01R	MECH SPACER BLACK HI-PS
6	619-300208-00	TAPING SCREW P TYPE BID H 3X8MM BLACK
7	619-300208-00	TAPPING SCREW P TYPE BID H 3X8MM BLACK
8	619-300208-00	TAPPING SCREW P TYPE BID H 3X8MM BLACK
9	428-385001-01	CD BRACKET 'L'
10	619-300208-00	TAPPING SCREW P TYPE BID H 3X8MM BLACK
11	619-300208-00	TAPPING SCREW P TYPE BID H 3X8MM BLACK
12	292-AA0302-01S	DOLBY BUTTON
13	229-385121-01R	FLD BRACKET HI-PS
14	291-AA0302-01S	FUNCTION BUTTON ABS
15	606A301208-00	TAPING SCREW P TYPE BID H 3X1 25PX8MM
16	291-AA0306-01Z	OP BUTTON (AC-620)
17	211-AA0502-01S	CASS DOOR PLATE (R) SILVER
18	292-AA0301-01S	REC BUTTON RED (P-96014) ABS
19	229-AA0501-01S	PRO LED BRACKET WHITE
20	291-AA0305-01S	POWER BUTTON DARK GREY (P-92008) W/MET GREY(T-95008H8) SP SILK'S RED(S-88011) LETT. ABS
21	229-AA0314-01Z	LATCH BRACKET (L) POM
22	291-AA0301-01S	DISC BUTTON DARK GREY
23-a(AC-720)	200-AA0511-01R	FRONT CABINET HI-PS
23-b(AC-723R)	200-AA0511-02R	FRONT CABINET HI-PS
23-c(AC-725K)	200-AA0512-01R	FRONT CABINET HI-PS
24	275-AA0301-01S	TIMER BUTTON DARK GREY ABS
25	291-AA0303-01S	BALANCE BUTTON BLACK ABS
26	263-AA0501-01K	PRO DISPLAY LENS WINE SMOKE 'P-95012' AS
27	219-AA0311-01R	CD DOOR HI-PS
28	286-385001-02S	NAME PLATE 'AKAI'
29	263-AA0301-01K	DISPLAY LENS AS
30	262-AA0601-01S	PRO BUTTON LEN SABS
31	619-300210-00	TAPPING SCREW P TYPE BID H 3X10MM BLACK
32	273-AA0301-01S	VOLUME KNOB ABS
33	477-385211-01	PRO TORSION SPRING
34	292-AA0601-01S	PRO LOGIC KNOB BLACK ABS
35	292-AA0501-01S	ON/OFF BUTTON MILKY WHITE 'SAA' - 5409T
36	291-AA0304-01S	BASS BUTTON MILKY WHITE (CL-301) ABS
37	273-AA0303-01S	MIC KNOB BLACK ABS
38	606A301208-00	TAPING SCREW P TYPE BID H 3X1 25PX8MM
39	606A301208-00	TAPING SCREW P TYPE BID H 3X1 25PX8MM
40	614-300208-00	SELF-TAPPING SCREW B/T 3X8MM BLACK
41	606A301208-00	TAPING SCREW P TYPE BID H 3X1.25PX3MM
42-a(AC-720 E/B)	495-AA0303-01	PANEL REAR
42-b(AC-720 S)	495-AA0303-02	PANEL REAR
42-c(AC-723R(E))	495-AA0303-03	PANEL REAR
42-d(AC-725K U5,Y6)	495-AA0304-01	PANEL REAR
42-e(AC-725K U8,Y7)	495-385004-02	PANEL REAR
43	650-381301-01	CORD BUSHING
44	619-300408-00	TAPING SCREW BT WASHER H 3X8MM BLACK
45	207-385101-01Z	REAR FOOT (PLASTIC) BLACK EVA
46	619-300208-00	TAPPING SCREW P TYPE BID H 3X8MM BLACK
47	428-385003-01	HOLDER BRACKET SECC-E20 T=1
48	428-385101-01	HOLDER BRACKET (H)

49	481-385111-01	HEAT SINK (H)
50	493-385112-01	METAL BOTTOM CAB (H) 1MM
51	481-385201-01	HEAT SINK (SUB)
52	428-385002-01	CD BRACKET ' R'
53	619-300208-00	TAPPING SCREW P TYPE BID H 3X8MM BLACK
54	619-300208-00	TAPPING SCREW P TYPE BID H 3X8MM BLACK
55	477-385011-01	LATCH PUSH SPRING
56	483-AA0301-01	SHIELD HEAD
57	604-254501-00A	TAPPING SCREW C TYPE BID H 2.6X5MM
58	299-AA0312-01S	LID BRACKET TX-3 WHITE ABS
59	229-AA0303-01S	LID BRACKET BLACK ABS
60	330-385001-01	FRONT CUSHION FOOT
61	619-300208-00	TAPPING SCREW P TYPE BID H 3X8MM BLACK
62	602-407006-60A	TAPPING SCREW P TYPE WASHER H 4X8MM
63	619-300212-00	TAPPING SCREW P TYPE BID H 3X12MM BLACK
64	703-385002-01	DAMPER DA-60WW (105) ASSEMBLY
65	263-AA0303-01K	DECK DIR LENS AS
66	229-AA0315-01Z	LATCH BRACKET (R) POM
67	263-AA0303-01K	DECK DIR BKT BLACK ABS
68	470-AA0321-01	CASS DOOR SPRING SHEET
69	211-AA0302-01S	CASS DOOR (R) HI-PS
70	261-AA0302-01K	CASS DOOR LENS (R) SMOKE
71	261-AA0301-01K	CASS DOOR LENS (L) SMOKE
72	250-AA0301-01S	LAMP HOLDER WHITE ABS
73	418-AA0301-01	OVERLAY CLEAR SILK'S WHITE(S-96001) COLOR PVC
74	211-AA0301-01S	CASS DOOR (L) HI-PS
75	619-300210-00	TAPPING SCREW P TYPE BID H 3X10MM BLACK
76	471-AA0302-01	CASS DOOR SPRING WIRE (R)
77	471-AA0301-01	CASS DOOR SPRING WIRE (L)
78	211-AA0501-01S	CASS DOOR PLATE (L) SILVER
79	229-385016-01Z	LATCH BRACKET BLACK POM
80	291-AA0501-01S	CH BUTTON DARK GRAY (P-92008) ABS
81	663-076040-10S	SPRING WASHER 7.6X4X1MM THK SIL CMT
82-a(AC-720/723R)	001-953852-42	△ POWER TRANSFORMER C1049-E
82-b(AC-725K)	001-953852-02	△ POWER TRANSFORMER C1049-U
83	741-495300-09	LOGICAL CONTROL DECK MECHA GT-E5300 (P/B)
84	741-495600-09	LOGICAL CONTROL DECK MECHA GT-E5600 (R/P)
85	273-AA0302-01S	VOLUME RING DARK GREY (P-92008) W/PLATTING ABS
86-a(except B1.Y6.S1)	071-669078-00A	△ AC LINE CORD VDE
86-b(B1.Y6)	071-449078-20	△ AC LINE CORD BS
86-c(S1)	071-559078-10	△ AC LINE CORD SAA

U.S. ASSEMBLY BOOK
 MODEL : AC-720/720R/720P

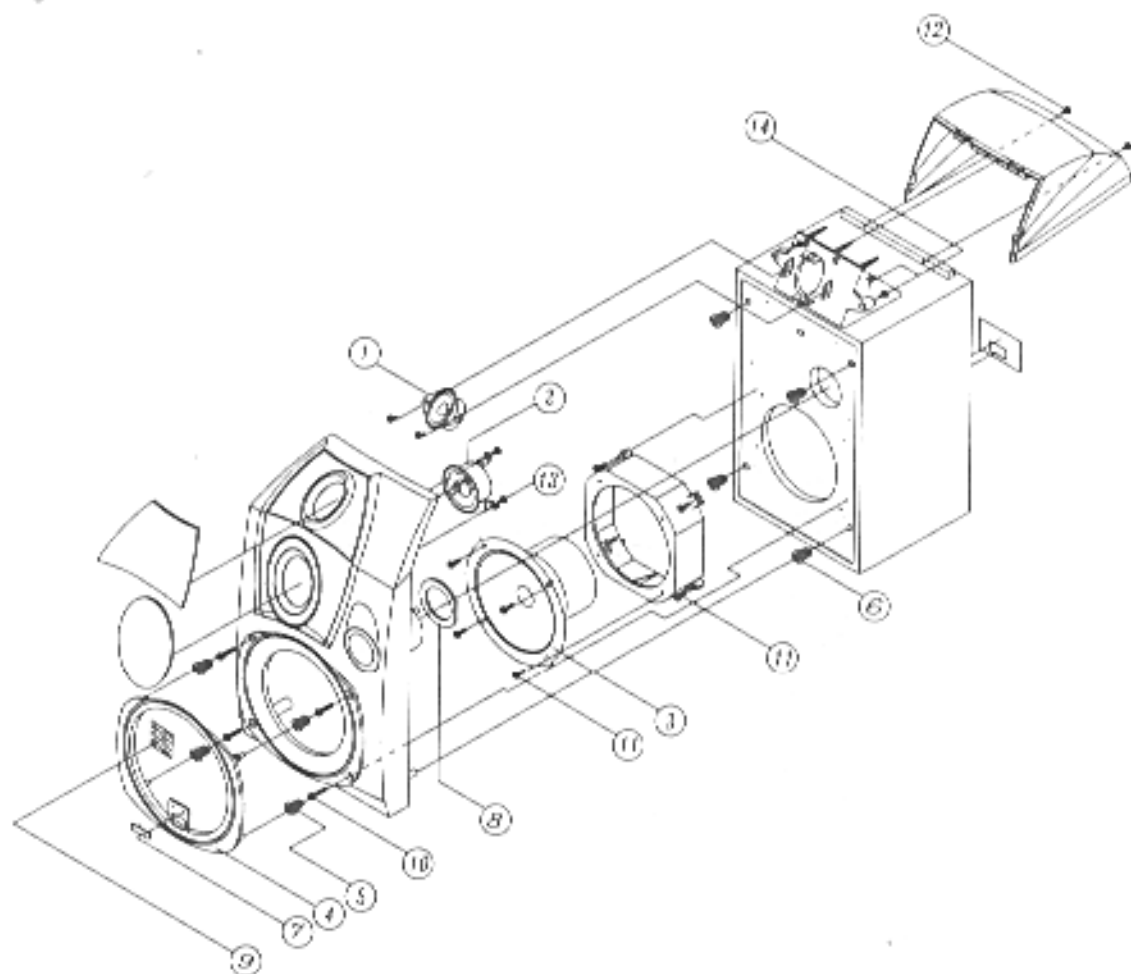


12. SPEAKER SYSTEM (SR-525)



REF. NO	PART NO	DESCRIPTION
1	066-278220-KP	SPEAKER 2" 12Ω 40-120W
2	066-278221-WTZ	SPEAKER 2 1/2" 8Ω 40-120W
3	066-958254-STZ	SPEAKER 2 1/2" 8Ω 80-120W
4	239-051701-01R	ADAPTOR HI-PS
5	259-050201-01Z	CUSHION FOR SPEAKER BOX BLK S. B. R
6	259-381301-01	CUSHION FOR SPEAKER BOX BLK RUBBER
7	286-385002-02S	NAME PLATE FOR AKAI SPK BLK ABS
8	323-051601-01	SPONG SPACER
9	583-051601-01F	CLOTH NET
10	610-350220-10	SELF-TAPPING SCREW R/T 3.5X20MM WHITE
11	610-400216-30	SELF-TAPPING SCREW R/T 4.0X16MM WHITE
12	610-300214-30	SELF-TAPPING SCREW R/T 3.0X14MM WHITE
13	612-300206-10	SELF-TAPPING SCREW 3X6MM WHITE
14	612-300208-10	SELF-TAPPING SCREW 3X8MM WHITE
15	612-300214-10	SELF-TAPPING SCREW 3X14MM WHITE

13. SPEAKER SYSTEM (SR-725)



REF. NO	PART NO	DESCRIPTION
1	066-288220-KP	TWEETER 50MM
2	066-288221-KP	MIDRANGE SPEAKER 65MM
3	066-959054-STZ	WOOFER SPEAKER 135MM
4	239-051701-01R	ADAPTOR HI-PS
5	259-050201-01Z	CUSHION FOR SPEAKER BOX BLK S.B.R
6	259-381301-01	CUSHION FOR SPEAKER BOX BLK RUBBER
7	286-385002-02S	NAME PLATE FOR AKAI SPK BLK ABS
8	323-051601-01	SPONG SPACER
9	583-051601-01F	CLOTH NET
10	610-350220-10	SELF-TAPPING SCREW/R/T 3.5X20MM WHITE
11	610-400216-30	SELF-TAPPING SCREW/R/T 4.0X16MM WHITE
12	610-300210-10	SELF-TAPPING SCREW/R/T 3.0X10MM WHITE
13	612-300208-10	SELF-TAPPING SCREW 3X8MM WHITE
14	612-300210-10	SELF-TAPPING SCREW 3X10MM WHITE

14. REMOTE EXPLODED DIAGRAM AND PARTS LIST

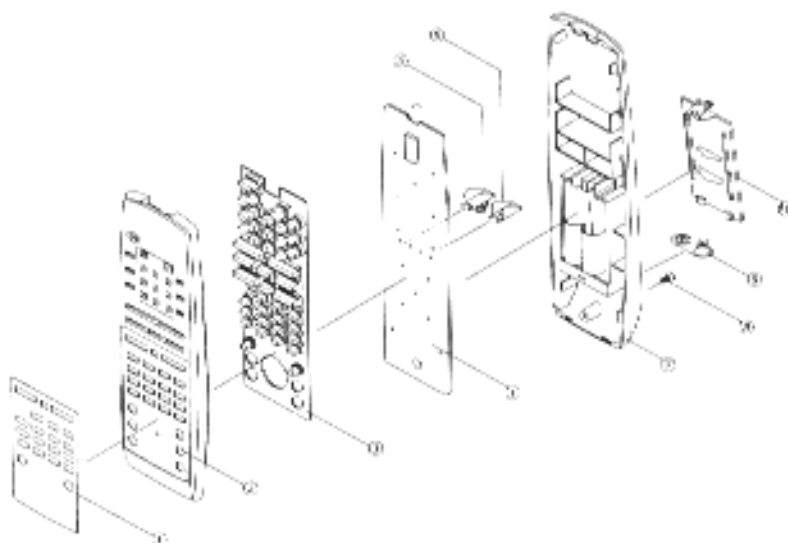
RC-S520

REF. NO

REF. NO	PART NO
*	790-010301-01
1	411-010301-01
2	201-010302-01S
3	334-010311-01
4	090-010302-03
5	473-010311-01
6	472-010311-01
7	203-010311-01S
8	610-260206-10
9	474-010101-01
10	210-010301-01S

DESCRIPTION

REMOTE CONTROL HANDSET RC-S520
 REMOTE NAME PLATE
 REMOTE CAB TOP
 REMOTE CONTACTIVE RUBBER (46 KEYS)
 PCB REMOTE BOARD
 BATT CONTACT SPRING SHEET-VE
 BAT CONTACT PLATE +VE
 REMOTE CABINET BOTTOM
 SELF-TAPPING SCREW K/T 2 6X6
 BAT CONTACT SPRING WIRE +/-VE
 REMOTE BATTERY COVER



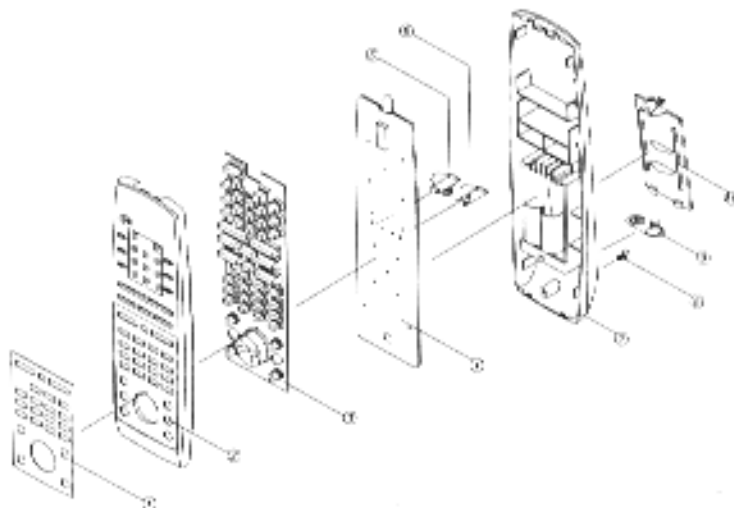
RC-S720

REF. NO

REF. NO	PART NO
*	790-010302-01
1	411-010302-01
2	201-010301-02S
3	334-010312-01
4	090-010302-03
5	473-010311-01
6	472-010311-01
7	203-010311-01S
8	610-260206-10
9	474-010101-01
10	210-010301-01S

DESCRIPTION

REMOTE CONTROL HANDSET RC-S720
 REMOTE NAME PLATE
 REMOTE CAB TOP
 REMOTE CONTACTIVE RUBBER (46 KEYS)
 PCB REMOTE BOARD
 BATT CONTACT SPRING SHEET-VE
 BAT CONTACT PLATE +VE
 REMOTE CABINET BOTTOM
 SELF-TAPPING SCREW K/T 2 6X6
 BAT CONTACT SPRING WIRE +/-VE
 REMOTE BATTERY COVER



XII. ABBREVIATIONS

TUNER

ABBREVIATION	EXPLANATION	ABBREVIATION	EXPLANATION
AFC	Auto Frequency Control	MEMO	MEMOry
AGC	Auto Gain Control	MI-COM	Micro-COMputer
ALC	Auto Level Control	MIN	MINimum
AM	Amplitude Modulation	MX	MIXing
AMP	AMPLifier	MPX	MultiPleX
ANT	ANTenna	MW	Medium Wave(frequency)
BATT	BATTery	NC	No Connection
BLK	BLock	NFB	Negative Feed Back
BUFF	BuFFer	OSC	OSCillator
COMP	COMParator	PCB	Printed Circuit Board
DET	DETECT(DETector)	PLL	Phase Locked Loop
FLD	FLuorescent Display	Q.D	Quadrature Detector
FM	Frequency Modulation	Rch	Right channel
FREQ	FREQuency	REF	REFerence
GND	GrouND	REG	REGulator
H	High	RF	Radio Frequency
HPF	High Pass Filter	SEG	SEGment
IF	Intermediate Frequency	SELE	SELEctor
IHF	Institute of High Fidelity	SENS	SENSitivity
IND	INDicator	SIG	SIGnal
IO	In/Out	S/N	Signal to Noise Ratio
JW	Jumper Wire	SSG	Standard Signal Generator
L	Low	STD	STanDard
LCD	Liquid Crystal Display	SW	Switch: Short Wave(frequency)
LCH	Left CHannel	THD	Total Harmonic Distortion
LED	Light Emitting Diode	TP	Test Point
LPF	Low Pass Filter	VCO	Voltage Controlled Oscillator
LW	Long Wave (Frequency)	VR	Variable Resistor
XTAL	Crystal		

COMPACT DISC

ABBREVIATION	EXPLANATION	ABBREVIATION	EXPLANATION
A-D	Analog to Digital(Converter)	Mb	Mega Bits
ADC	Analog Code Decimal (Converter)	MDA	Motor Drive Amplifier
BCD	Binary Code Decimal	MFM	Modified Frequency Modulation
BPI	Bits Per Inch	MW	Mono-stable Multivibrator
CD	Compact Disc	M2FM	Modified Modified Frequency Modulation
CIRC	Cross Interleaving & Reed Solomon Coding	MOD2	Module 2 (Addition)
CLV	Constant Linear Velocity	MP	Microprocessor
CP	Clock Pulses	MSB	Most Significant Bit
CRCC	Cyclic Redundancy Check Codes	NA	Numerical Aperture
D Level	Decision Level	NRZ	Non Return to Zero
D-A	Digital to Analog(Converter)	NRZ-I	Non Return to Zero Inverted
DAC	Digital to Analog(Converter)	P	Parity Data
DAD	Digital Audio Disc	PAM	Pulse Amplitude Modulation
DEM	Dynamic Element Matching	PCM	Pulse Code Modulation
DPD	Differential Phase Detection	PD	Phase Detector
DSV	Digital sum Value	PE	Phase Encode
EFM	Eight to Fourteen Modulation	PLL	Phase locked Loop
EX-OR	Exclusive OR	PNM	Pulse Number Modulation
FCI	Flux Changes per Inch	PPM	Pulse Phase Modulation
FIR	Finite Impulse Response	PWM	Pulse Width Modulation
FP	Front Pulse	Q	Parity Data
FPG	Front Pulse Gate	R,R1,R2,ect.	Data for Right Channel
F	Frequency of Sampling	RAM	Random Access Memory
GF	Galois Field	RPG	Rear Pulse Gate
H&V(Parity)	Horizontal & Vertical	SCOOP	Self Coupled Optical Pick-up
IIR	Infinite Impulse Response	S&H	Sample & Hold
KB	Kilo Bits	S/N	Signal to Noise Ratio
L,L1,L2,ect	Data for Left Channel	SSG	Standard Signal Generator
LPF	Low Pass Filter	SYSCON	SYSTEM CONTROL
LSB	Least Significant Bit		

CASSETTE

ABBREVIATION	EXPLANATION	ABBREVIATION	EXPLANATION
AC	Alternating Current	MIN	Minute
AD	Analog/Digital	MML	Maximum Modulation Level
AF	Auto Fader	MOL	Maximum Output Level
AMP	AMPlifier	MPX	MultiPlex
AR	Anti Recording	NC	Not connected (No Connection)
ATBIAS	Auto Turning BIAS	NFB	Negative Feed Back
ATT	ATTenuator	NORM	NORMAl
BAL	BALance	NR	Noise Reduction
BEFB	and Elimination Filter	OSC	OSCillator (OSCillation)
BSS	Blank Search System	P	Pulse
CAPM	CAPstan Motor	PB	Play Back
CH	CHannel	QMSS	Quick Memory Search System
COMP	COMParator	OR	Quick Reverse
CONT	CONTInuance	RCH	Right CHannel
CRLP	Computer Recording Level Processing	REC	RECORD (RECORDing)
CS	Chip Select	REV	REVERSE
D/A	Digital/Analog	ROT	ROTation
DC	Direct Current	REW	REWind
DET	DETECTOR	SEC	SECONd
DISCRI	DISCRIminator	SELE	SELEctor
DUB	DUBbing	SENS	SENSitivity
EQ	EQUALizer	SEPP	Single Ended Push Pull
FF or (F.FWD)	Fast Forward	SIG	SIGNAL
FLD	FLUorescent Display	SPECT	SPECTrum
FREQ	FREQUENCY	STD	STANdard
FWD	FORWARD	SW	SWitch
GND	GROUNd	SYSCON	SYSTEM CONTROL
H	High	TP	TEST Point
HPF	High Pass Filter	TRIG	TRIGa
IND	INDicator	VCA	Voltage Control Attenuator
IPLS	Instant Program Location System	VOL	Volume
L	Low	VOLT	VOLTage
LCH	Left Channel	VR	Variable Resistor
LEDLight	Emitting Diode	XTAL	crystal
MEMO	MEMOry	X1	Normal speed
MICOM	MicroCOMputer	X2	Double speed

AMPLIFIER

ABBREVIATION	EXPLANATION
A	Analog
AC	Alternating Current
AMP	AMPlifier
CD	Compact Disc
COM	COMMon
D	Digital
D/A	Digital to Analog
DAC	Digital to Analog Converter
DAT	Digital Audio Tape recorder
DC	Direct Current
GND	GrouNd
L	Left
LED	Light Emitting Diode
MC	Moving Coil
MM	Moving Magnet
PCB	Printed Circuit Board
R	Right
REG	REGulator
REC	RECord
TR	TRansistor
SW	SWitch
VAMP	Voltage AMPlifier
V.DISC	Video DISC
VR	Variable Resistance
VTR	Video Tape Recorder