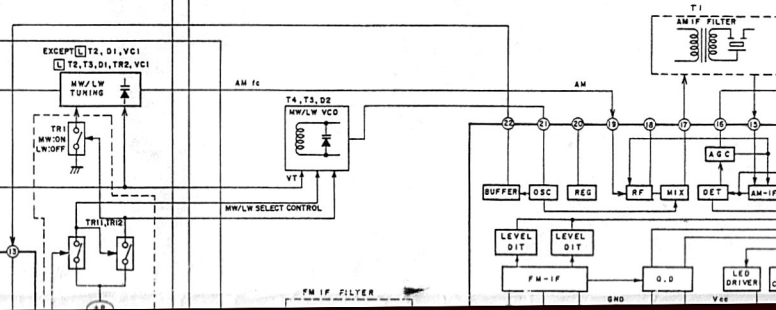
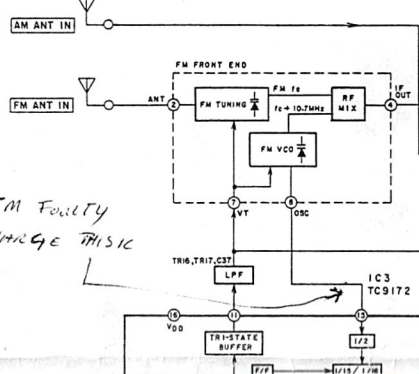
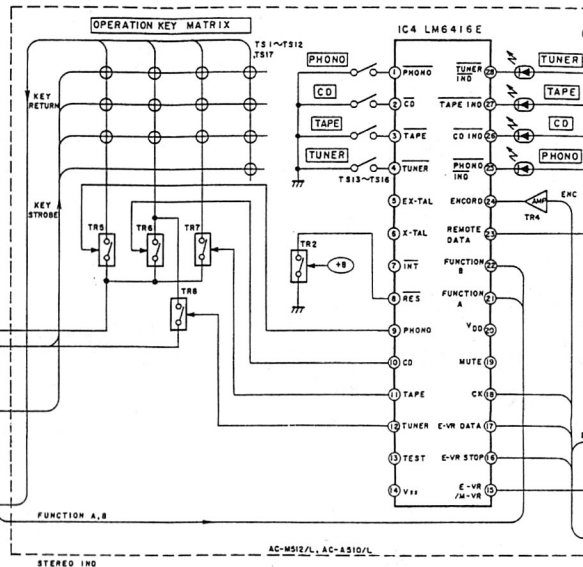
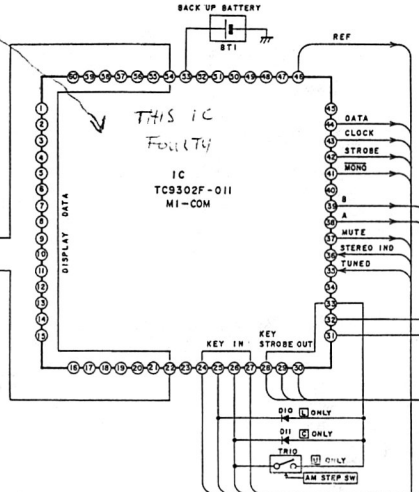
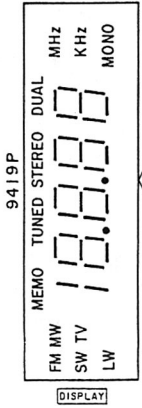
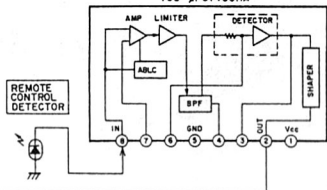


AC-M312/L, AC-M512/L
 AC-A510/L
 DECK BLOCK DIAGRAM
 No.2-1 870430A

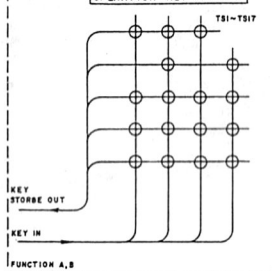
TUNE/SCAN
PHONO
TAPE
CD/VCR



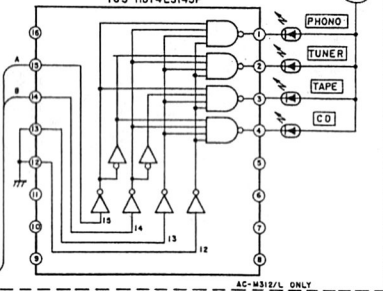
FM Faulty
CHANGE THIS IC

IC5 μ PC1490HA

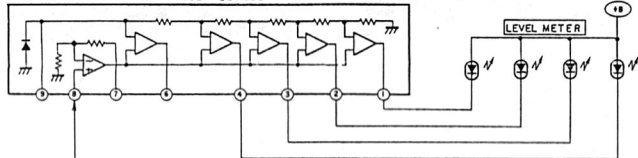
OPERATION KEY MATRIX



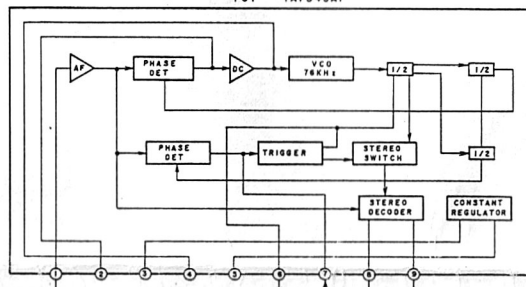
IC3 HD74LS145P



IC2 LB1403



IC1 TA7343AP



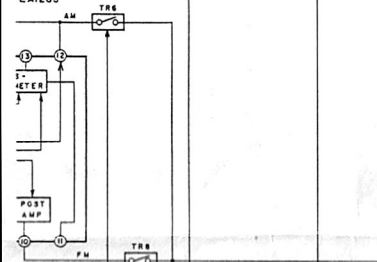
1

2

3

4

LA1265

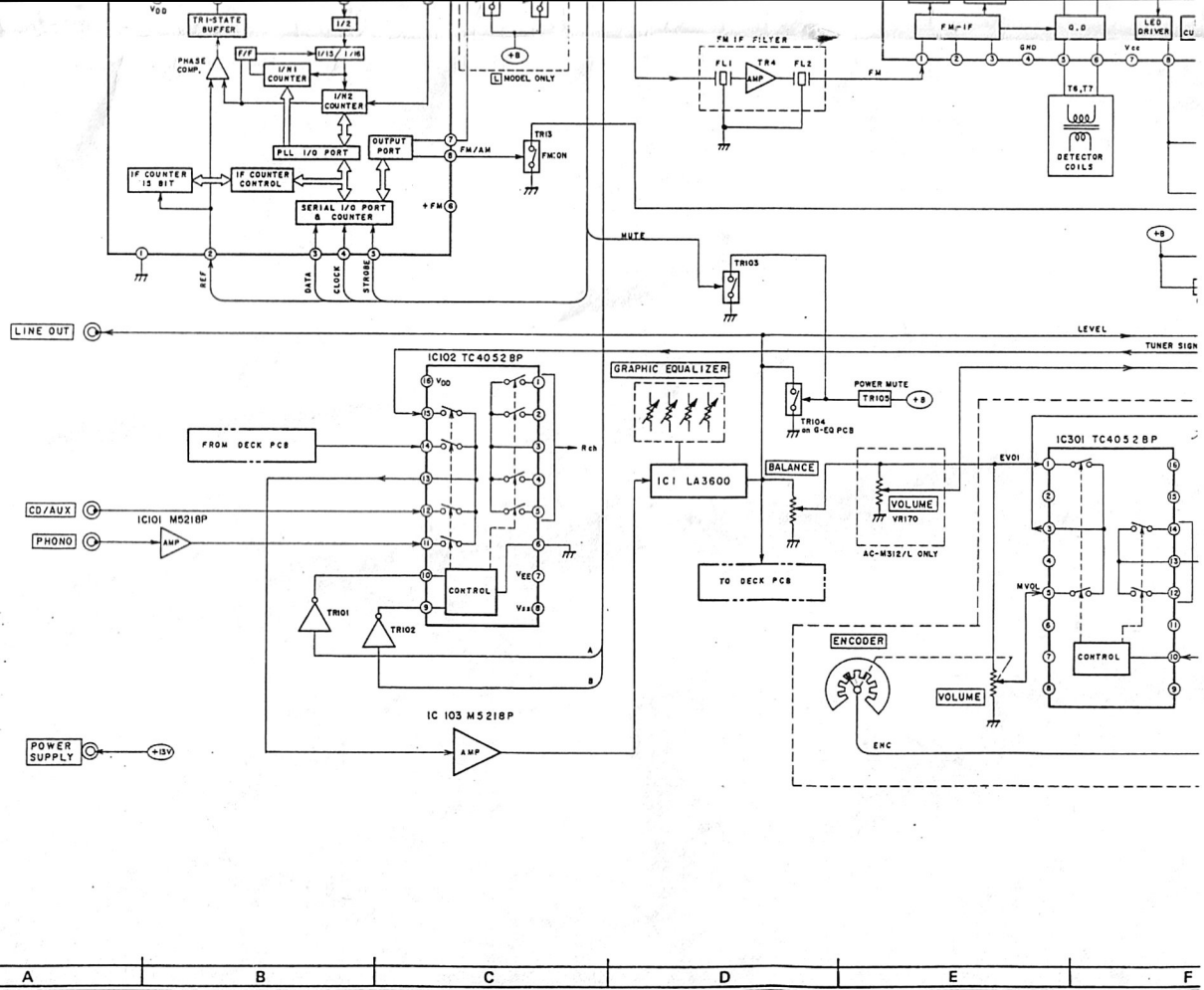


5

6

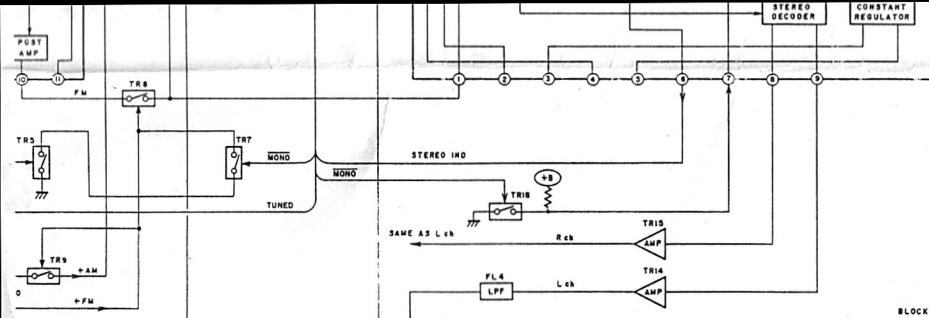
7

8

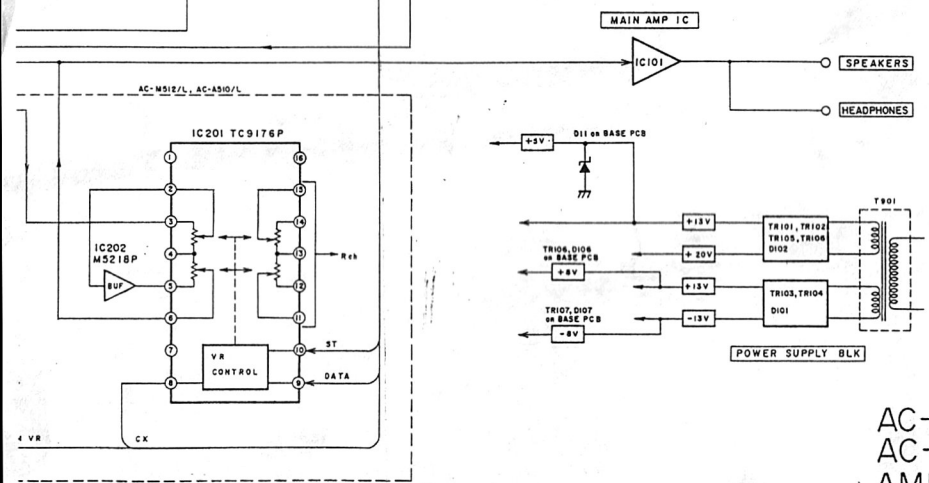


1.2.3
4.5.6

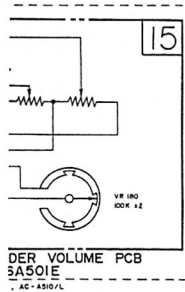
A B C D E F



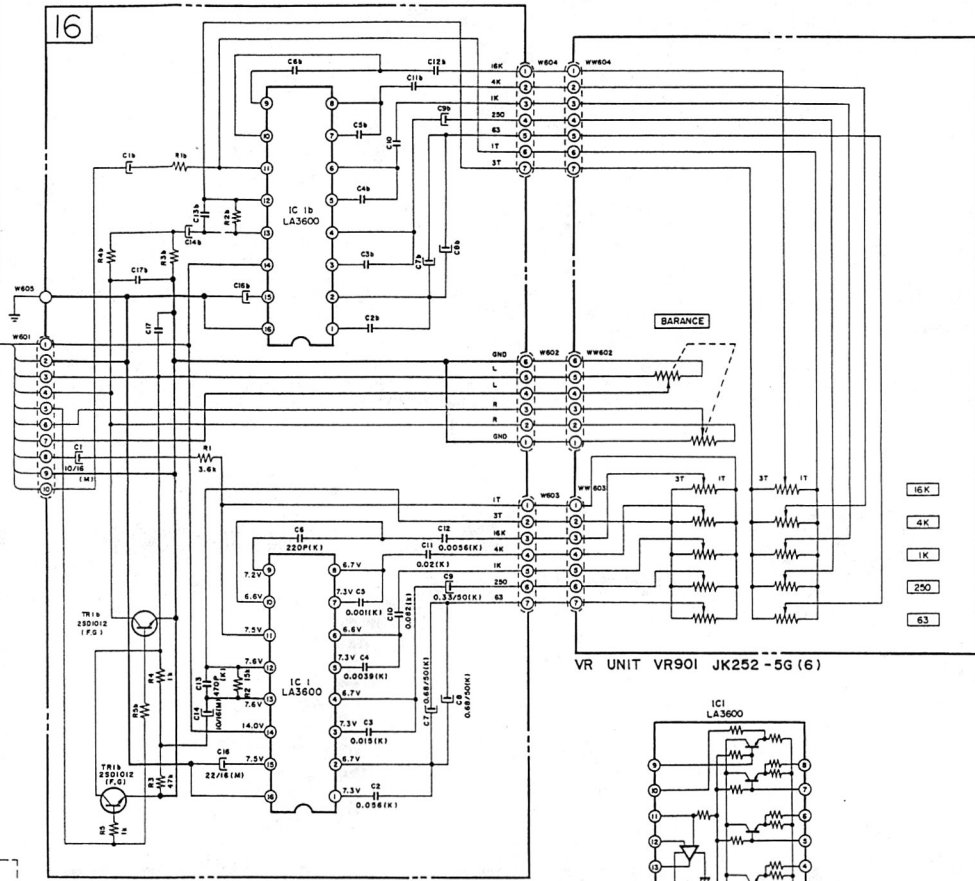
BLOCK DIAGRAM INDICATES LEFT CHANNEL ONLY



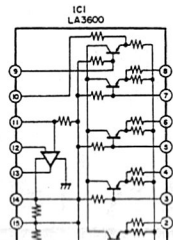
AC-M312/L, AC-M512/L
 AC-A510/L
 AMP SECTION
 BLOCK DIAGRAM
 No. 2-2 860808B



DER VOLUME PCB
3A501E
AC - 4310/L



G-EQ PCB C1016B5060



1

2

3

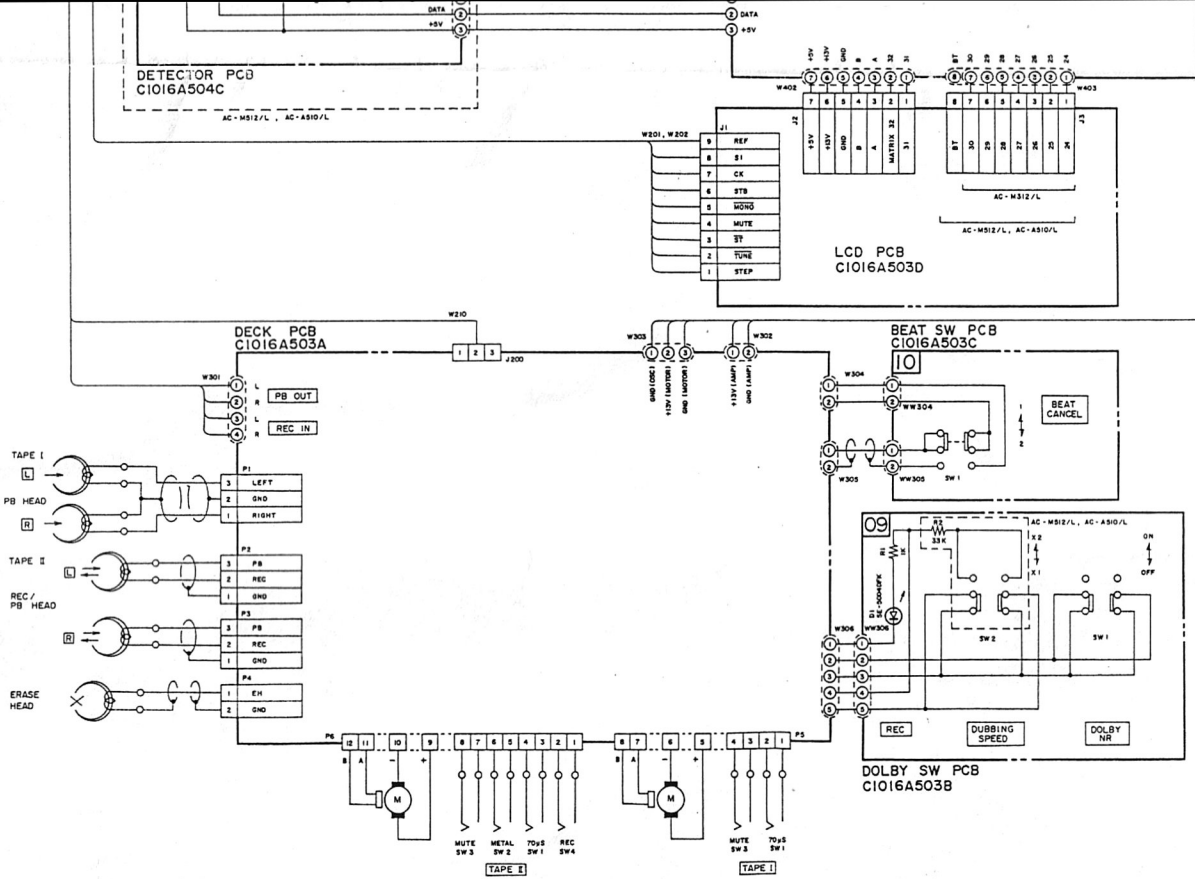
4

5

6

7

8



A

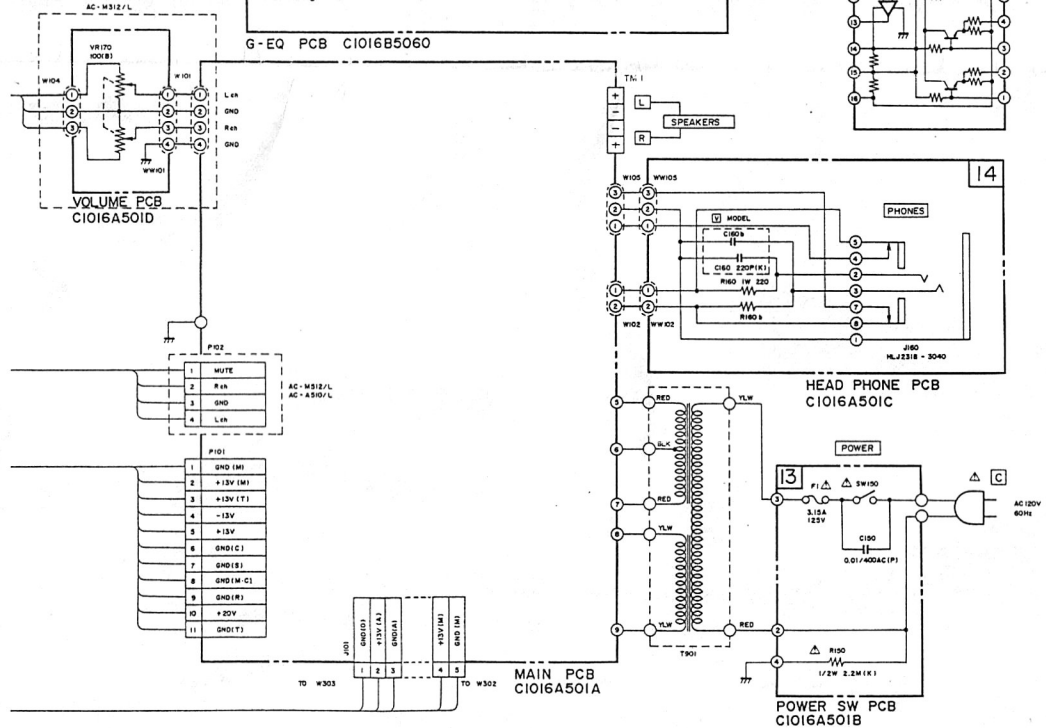
B

C

D

E

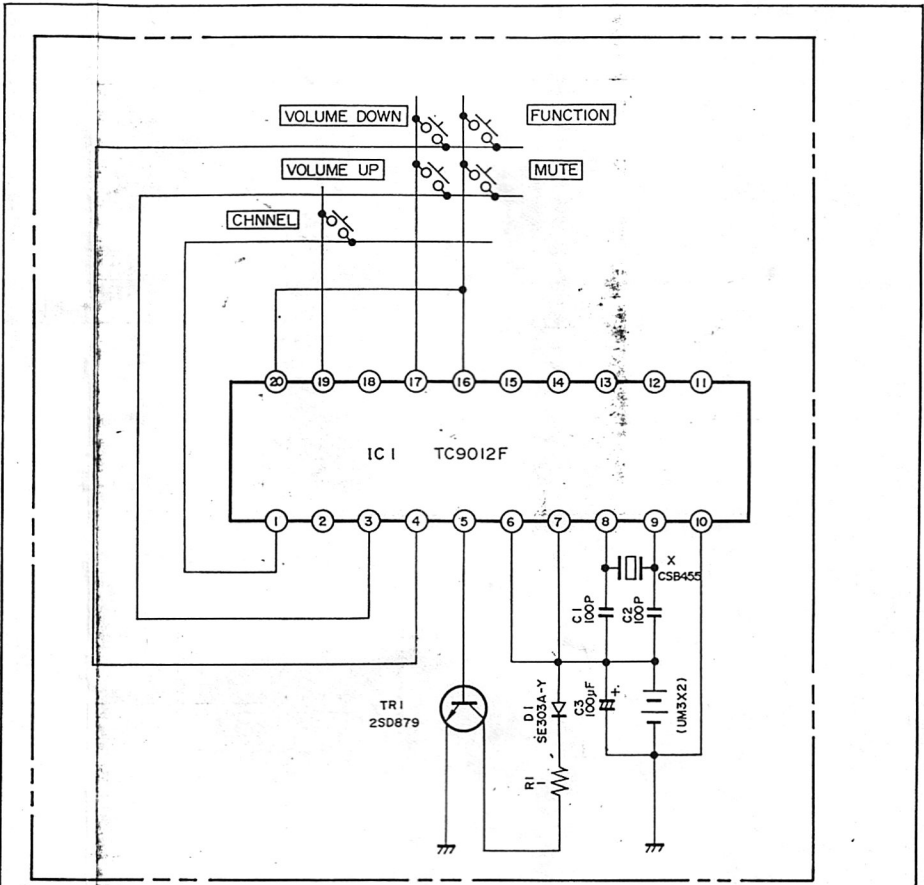
F



----- B (POWER SUPPLY) LINE
 - - - - - SIGNAL LINE

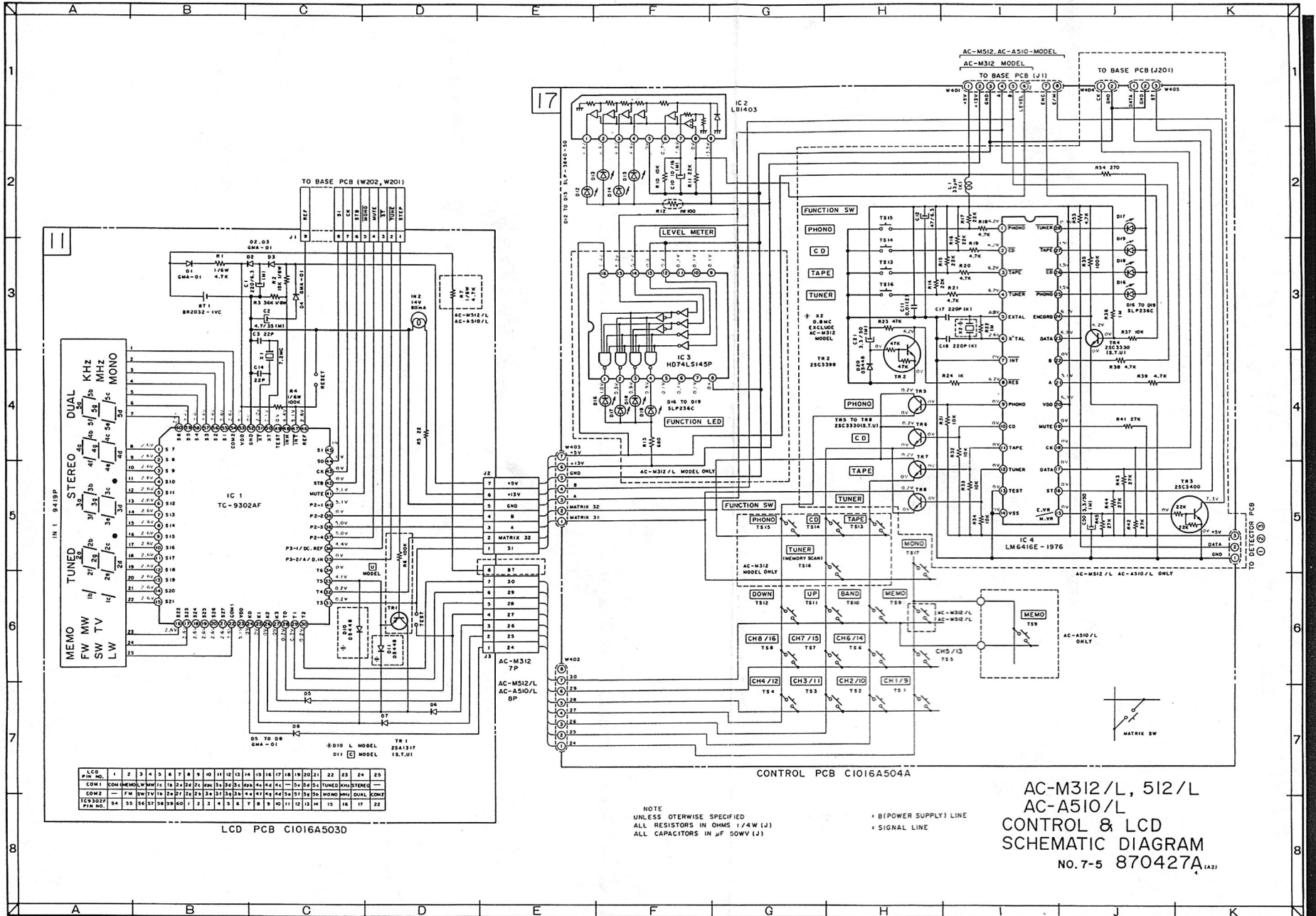
WARNING Δ INDICATES SAFETY CRITICAL COMPONENTS FOR CONTINUED SAFETY
 REPLACE SAFETY CRITICAL COMPONENTS ONLY WITH MANUFACTURER'S
 RECOMMENDED PARTS
 AVERTISSEMENT Δ IL INDIQUE LES COMPOSANTS CRITIQUES DE SECURITE
 POUR MAINTENIR LE DEGRE DE SECURITE DE L'APPAREIL
 NE REMPLACER QUE DES PIECES RECOMMANDEES PAR LE FABRICANT

AC-M312/L , AC-M512/L ,
 AC-A510/L
 CONNECTION DIAGRAM
 No. 7-1 870423A



MODEL AC-M512/L, AC-A510/L ONLY

RC-S500
 REMOTE CONTROL UNIT
 SCHEMATIC DIAGRAM
 No. 7-7 870429A



LCD No.	1	2	3	4	5	6	7	8	9	10	11	12	13	14	15	16	17	18	19	20	21	22	23	24	25
COM1	MEMO	MEMO	MEMO	MEMO	MEMO	MEMO	MEMO	MEMO	MEMO	MEMO	MEMO	MEMO	MEMO	MEMO	MEMO	MEMO	MEMO	MEMO	MEMO	MEMO	MEMO	MEMO	MEMO	MEMO	MEMO
COM2	FM	SW	TV	18	24	27	28	29	30	31	32	33	34	35	36	37	38	39	40	41	42	43	44	45	46
FC9302F L14-02	54	55	56	57	58	59	60	1	2	3	4	5	6	7	8	9	10	11	12	13	14	15	16	17	22

LCD PCB C1016A503D

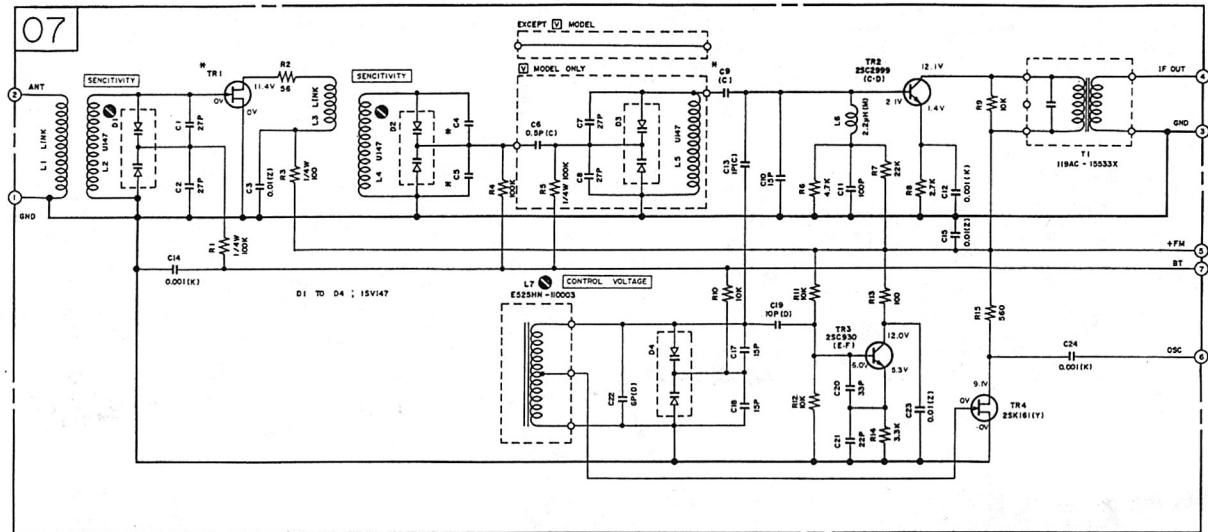
CONTROL PCB C1016A504A

NOTE
UNLESS OTHERWISE SPECIFIED
ALL RESISTORS IN OHMS 1/4W (J)
ALL CAPACITORS IN μ F 50WV (J)

= (POWER SUPPLY) LINE
= SIGNAL LINE

AC-M312/L, 512/L
AC-A510/L
CONTROL & LCD
SCHEMATIC DIAGRAM
NO.7-5 870427A_{1.001}

	TR1	C4	C5	C9
EXCEPT <input checked="" type="checkbox"/> MODEL	25K241(Y)	33P	33P	5P
<input type="checkbox"/> MODEL	25K161	27P	18P	15P



NOTE
UNLESS OTHERWISE SPECIFIED;
ALL RESISTORS IN OHMS 1/6W(J)
ALL CAPACITORS IN pF 50WV(J)

EXCEPT MODEL ---- FE31
 MODEL ---- FE41

FRONT END
SCHEMATIC DIAGRAM
NO. 7-6 870428A

A B C D E F

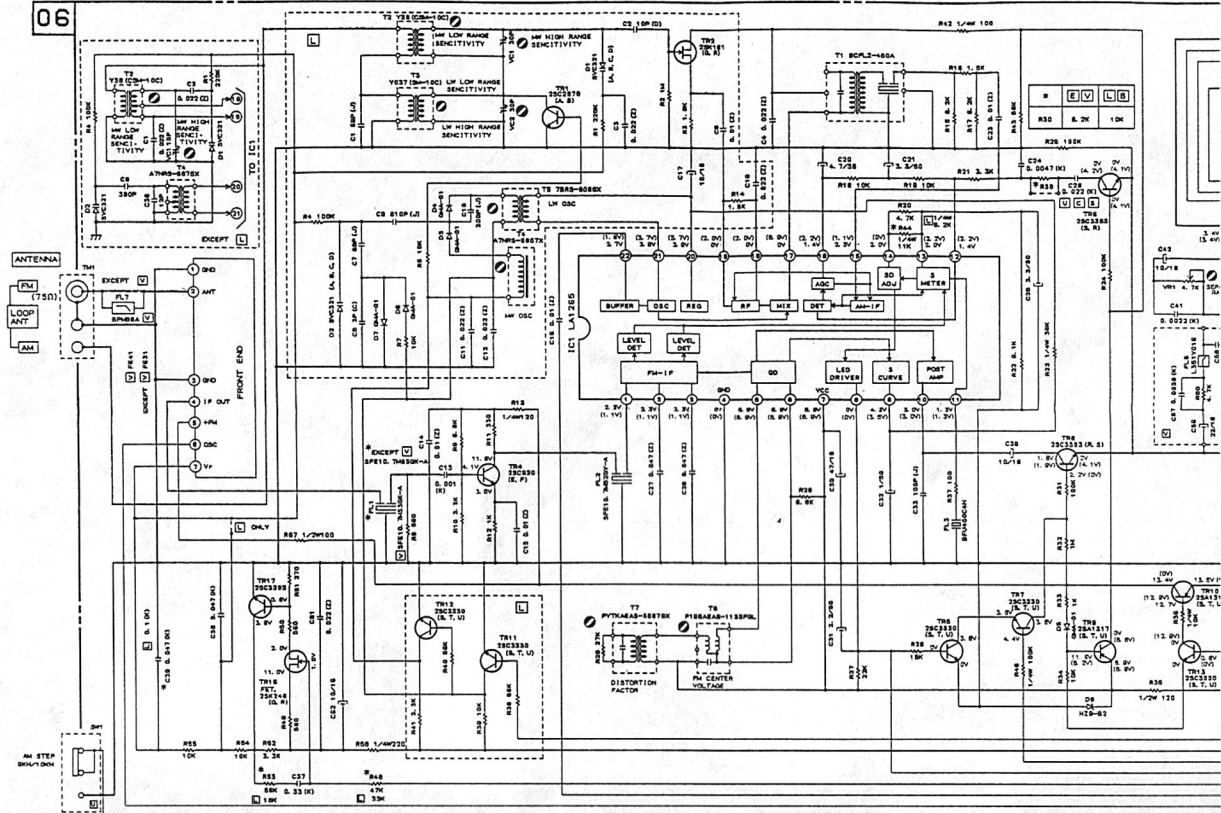
1

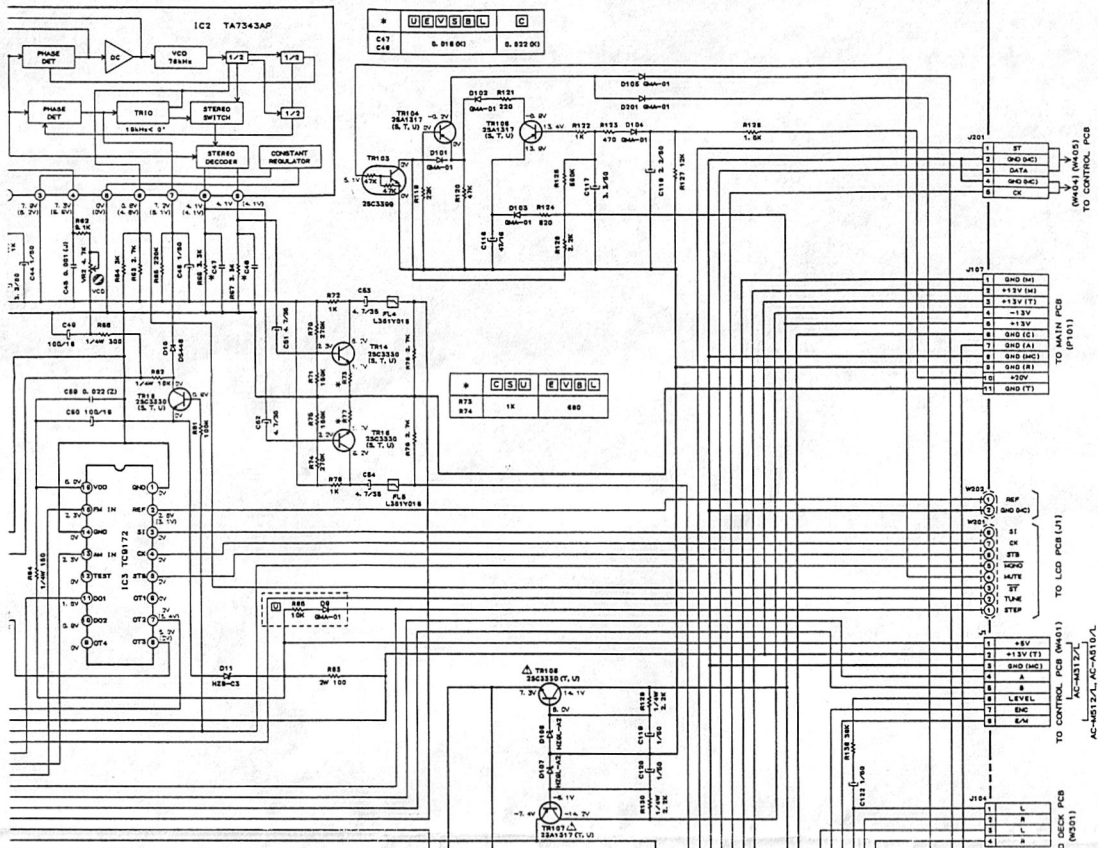
06

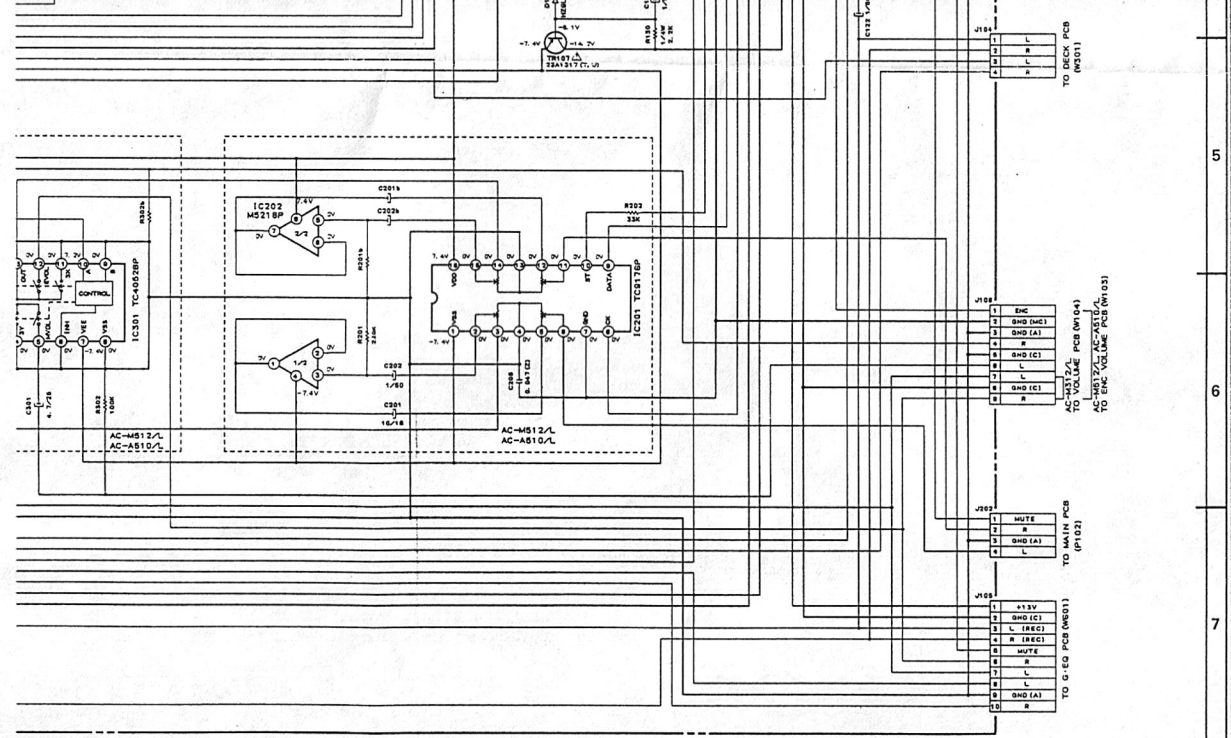
2

3

4







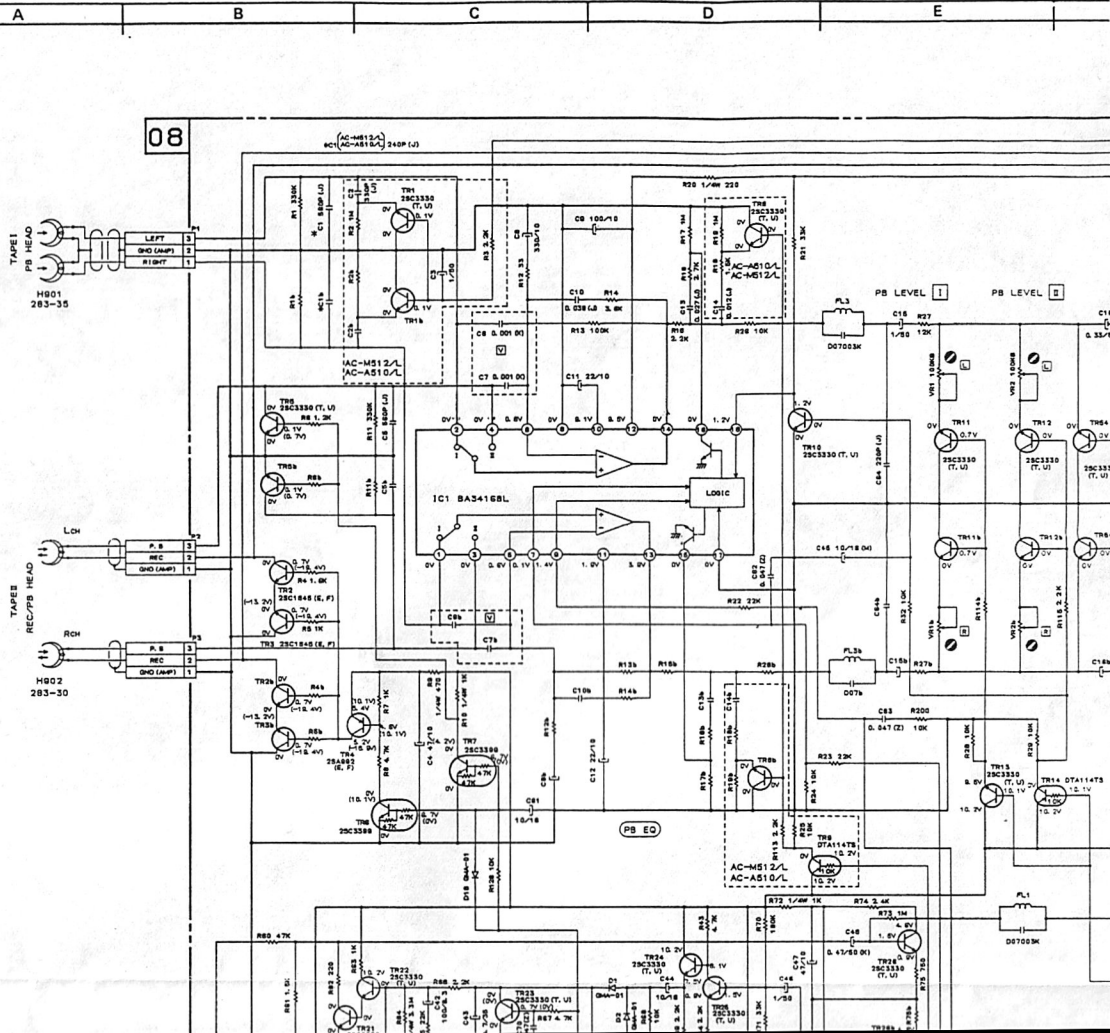
5

6

7

8

G H I J K



08

TAPES
PB HEAD
H001
2B3-35

TAPES
REC/PB HEAD
H002
2B3-30

AC-MS12/L
AC-AS10/L 240P U3

AC-MS12/L
AC-AS10/L

AC-MS12/L
AC-AS10/L

AC-MS12/L
AC-AS10/L

PB ED

PB LEVEL I

PB LEVEL II

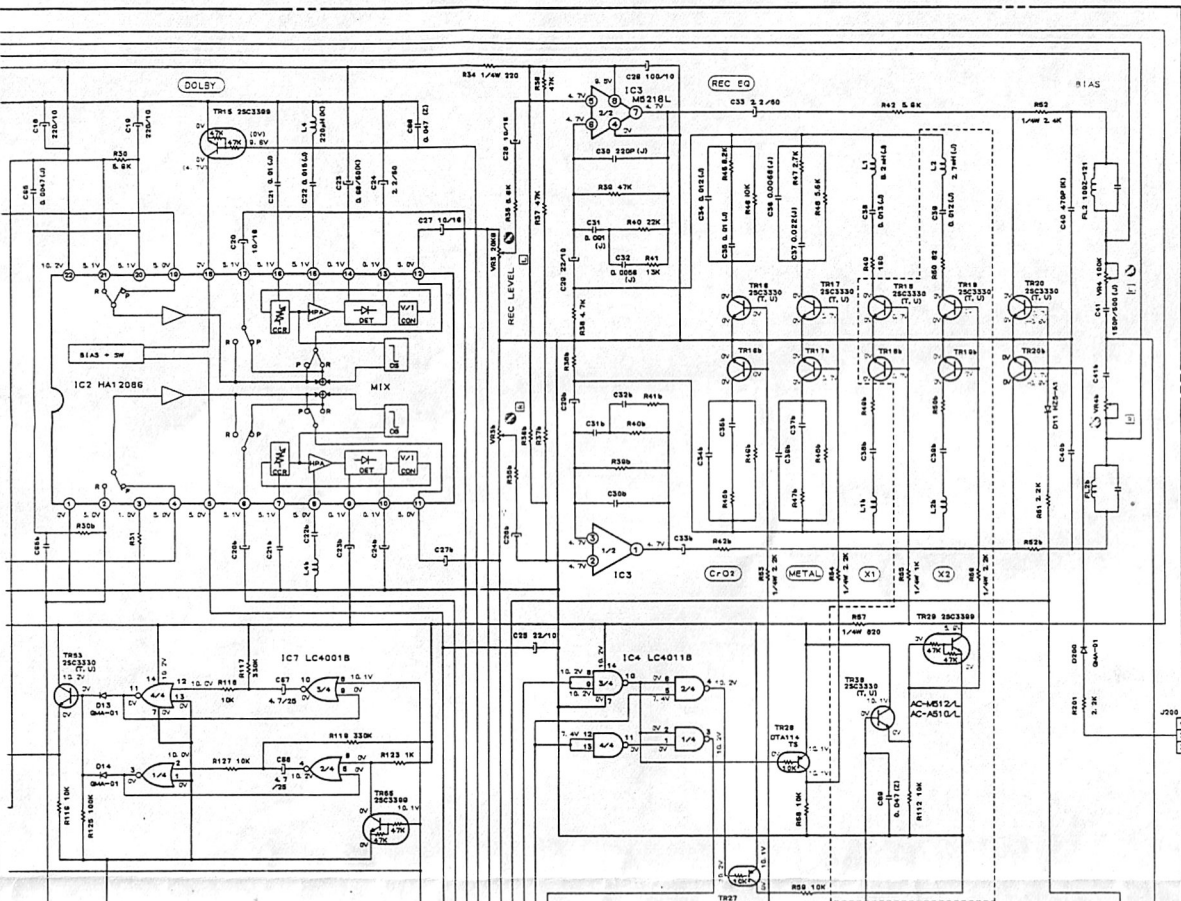
1

2

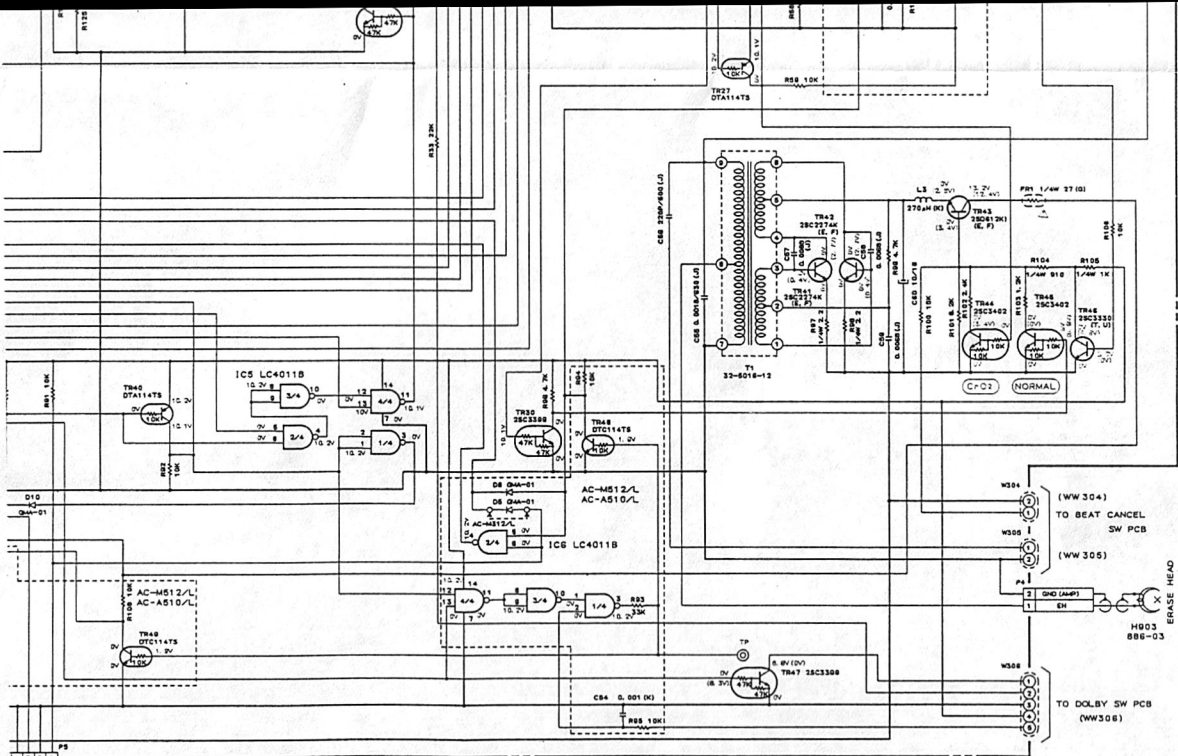
3

4

A B C D E



TO BASE PCB (W212)



4 3 2 1
 MUTE MUTE MUTE
 30A 30B 30C
 20A 20B 20C
 10A 10B 10C
 0A 0B 0C
 MUTE 30A 30B 30C
 20A 20B 20C
 10A 10B 10C
 0A 0B 0C

WARNING: INDICATES SAFETY CRITICAL COMPONENTS FOR CONTINUED SAFETY.
 REPLACE SAFETY CRITICAL COMPONENTS ONLY WITH MANUFACTURER'S
 RECOMMENDED PARTS.
 AVERTISSEMENT: A.L. INDIQUE LES COMPOSANTS CRITIQUES DE SECURITE
 POUR MAINTENIR LE DEGRE DE SECURITE DE L'APPAREIL.
 NE REMPLACER QUE LES PIECES RECOMMANDEES PAR LE FABRICANT.

- - - - - PB SIGNAL LINE
 - - - - - REC SIGNAL LINE
 - - - - - B (POWER SUPPLY) LINE

NOTE
 UNLESS OTHERWISE SPECIFIED
 ALL RESISTORS IN OHMS 1/8W (J)
 ALL CAPACITORS IN μ F 50W (M)

AC-M312/L, AC-M512/L
 AC-A510/L
 DECK
 SCHEMATIC DIAGRAM
 NO. 7-4 870426A

5

6

7

8

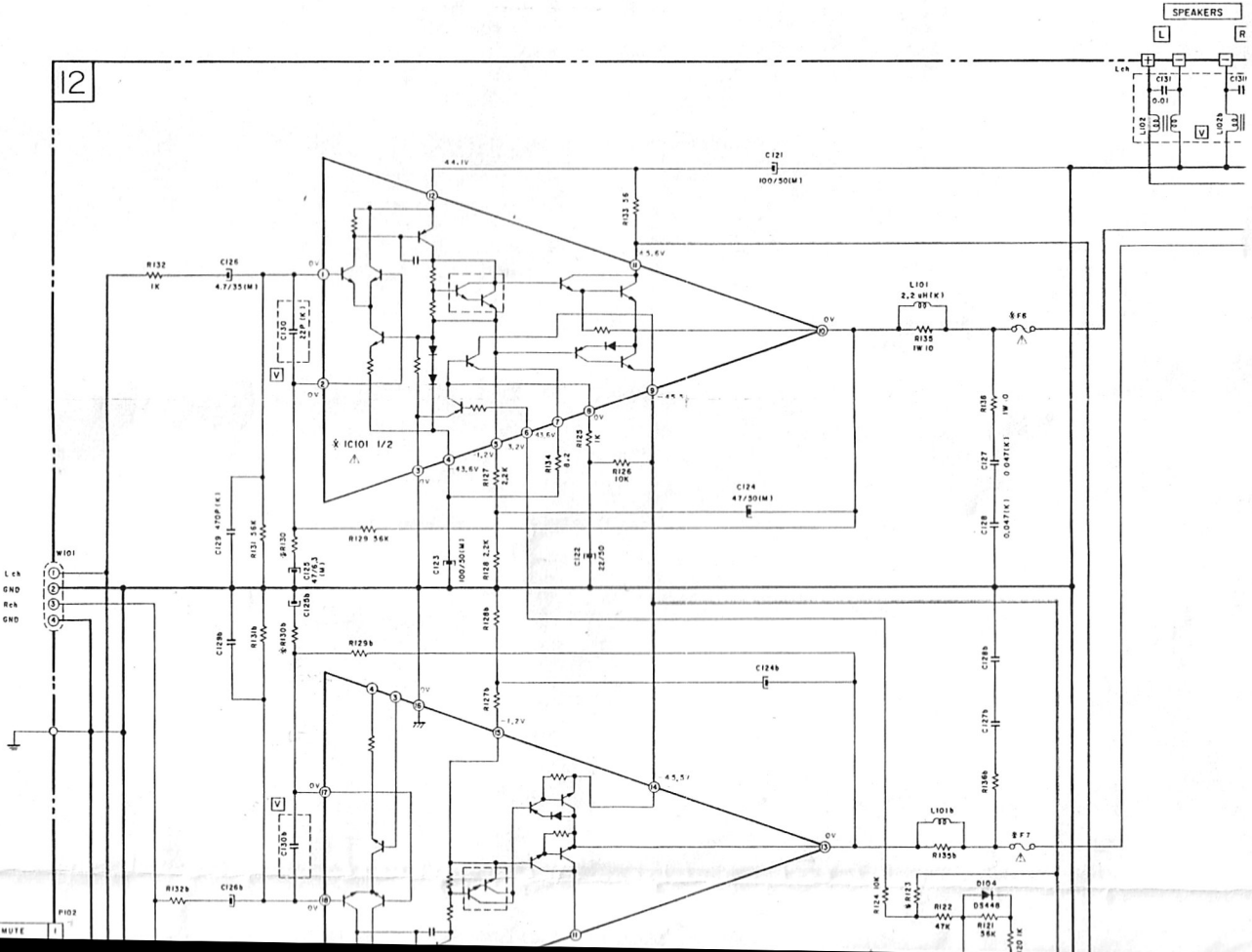
F G H I J K

TO VOLUME PCB (W101)
(AC-45021)

L C4
SND
Rca
SND

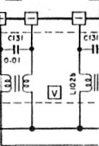
MUTE

12



SPEAKERS

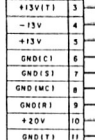
L R



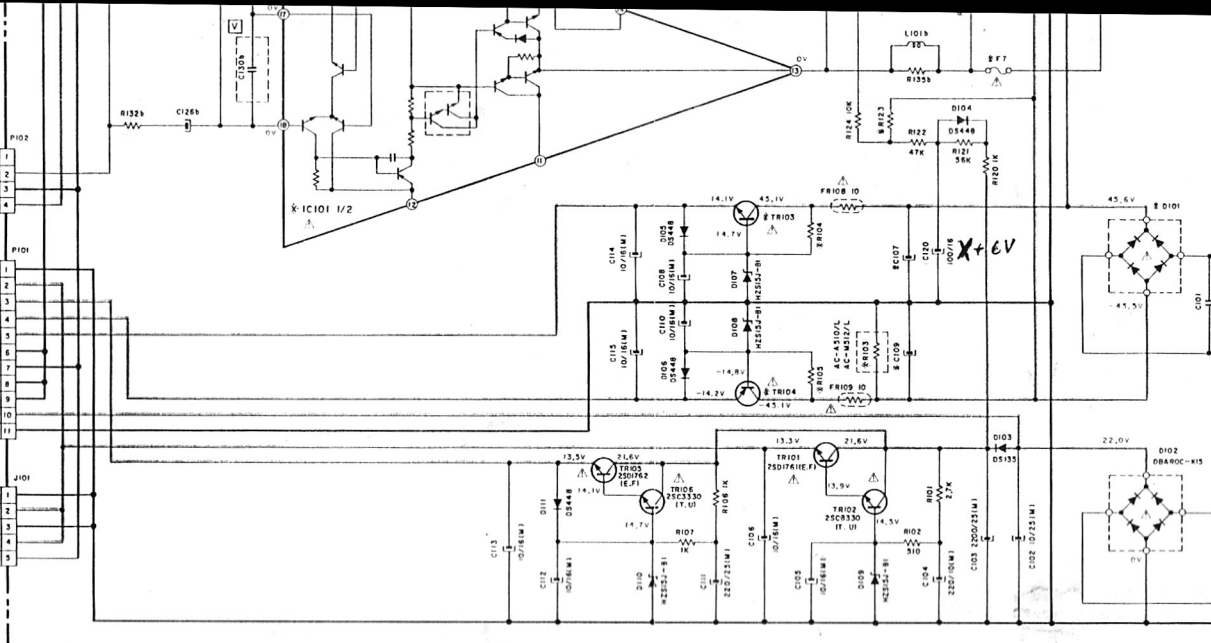
TO BASE PCB(U02)
(AC-M312/L, AC-A510/L)



TO BASE PCB (U07)



TO DECK PCB
(M312, M307)



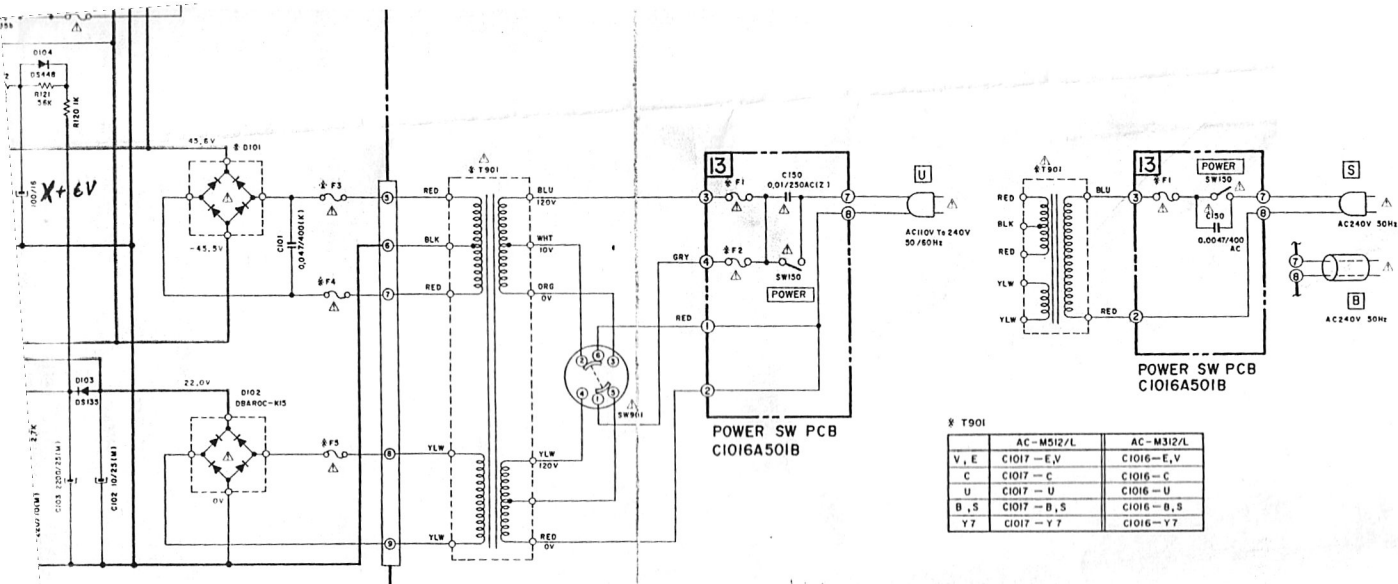
MAIN PCB C1016A501A

*	C107 109	D101	IC101	R104 105	R123	R130	TRIOD3	TRIOD4	TRIOD5
AC-M512/L, AC-A510/L	4700/50	DBA60C-K15	STK4172-II	12K	270K	680	2SD1761 (E, F)	25B1187 (E, F)	2W 2.2K
AC-M312/L	4700/45	DBA40C-K15	STK4152-II	10K	220K	750	2SD1762 (E, F)	25B1185 (E, F)	

* POWER
* SIGNAL

*	AC-M312/L							AC-M512/L, AC-A510/L						
	F1	F2	F3	F4	F5	F6	F7	F1	F2	F3	F4	F5	F6	F7
U	1.6A/250V	1.6A/250V				4A/250V	4A/250V	2A/250V	2A/250V				4A/250V	4A/250V
C	3.15A/125V		5A/125V	5A/125V	1.6A/125A	4A/125V	4A/125V	3.15A/125V		6.3A/125V	6.3A/125V	1.6A/125V	4A/125V	4A/125V
E-V-S	T1A/250V		T3.15A/250V	T3.15A/250V	T1.25A/250V	T2.5A/250V	T2.5A/250V	T1.25A/250V		T4A/250V	T4A/250V	T1.25A/250V	T3.15A/250V	T3.15A/250V
B	T1A/250V		T3.15A/250V	T3.15A/250V	T1.25A/250V	T2.5A/250V	T2.5A/250V	T1.25A/250V		T4A/250V	T4A/250V	T1.25A/250V	T3.15A/250V	T3.15A/250V
Y7	1.6A/250V	1.6A/250V				4A/250V	4A/250V	2A/250V	2A/250V				4A/250V	4A/250V

A B C D E F



POWER SW PCB
C1016A501B

POWER SW PCB
C1016A501B

X T901

	AC-M512/L	AC-M312/L
V, E	C1017 - E, V	C1016 - E, V
C	C1017 - C	C1016 - C
U	C1017 - U	C1016 - U
B, S	C1017 - B, S	C1016 - B, S
Y 7	C1017 - Y 7	C1016 - Y 7

WARNING: INDICATES SAFETY CRITICAL COMPONENTS. FOR CONTINUED SAFETY, REPLACE SAFETY CRITICAL COMPONENTS ONLY WITH MANUFACTURER'S RECOMMENDED PARTS.
 Avertissement: AL indique les composants critiques de sécurité pour maintenir le degré de sécurité de l'appareil. Ne remplacer que les pièces recommandées par le fabricant.

NOTE
 UNLESS OTHERWISE SPECIFIED
 ALL RESISTORS IN OHMS 1/4W(1J)
 ALL CAPACITORS IN μ F 50WV(1J)
 POWER TRANSFORMER DIFFERENT
 ACCORDING TO AREA

C-A510/L

F 5	F 6	F 7
	4A/250V	4A/250V
T1.6A/125V	4A/125V	4A/125V
T1.25A/250V	T3.15A/250V	T3.15A/250V
T1.25A/250V	T3.15A/250V	T3.15A/250V
	4A/250V	4A/250V

AC-M312/L
 AC-M512/L
 AC-A510/L
 MAIN
 SCHEMATIC DIAGRAM
 NO. 7-2 870424A