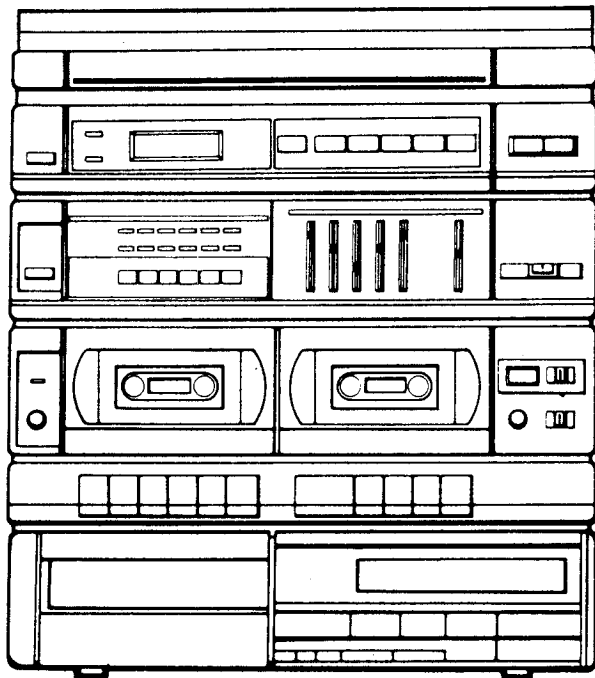


AKAI SERVICE MANUAL



COMPACT
disc
DIGITAL AUDIO

MODEL: AC-M370/L

MIDI COMPONENT STEREO SYSTEM

MODEL **AC-M370/L**

MODEL **AC-M370**

SIMILAR ACM 373

CONTENTS

SAFETY INSTRUCTIONS	2
INFORMATION	2
I. SPECIFICATIONS	4
II. CONTROLS	5
III. ADJUSTMENT	
TAPE SPEED ADJUSTMENT	8
TURN TABLE SPEED ADJUSTMENT	8
TUNER ADJUSTMENT	9
DISASSEMBLY PROCEDURES FOR CDP SECTION .	11
CD SECTION	12
IV. PARTS LIST	
RECOMMENDED SPARE PARTS	14
TURN TABLE BLOCK	15
CASSETTE MECHA BLOCK	17
CD MECHA BLOCK	19
ASSEMBLY BLOCK	23
BLOCK DIAGRAM	25
WIRING DIAGRAM (MAIN)	26
WIRING DIAGRAM (CDP)	27
SCHEMATIC DIAGRAM (MAIN) B	28
SCHEMATIC DIAGRAM (MAIN) E S	29
SCHEMATIC DIAGRAM (TUNER) B E	30
SCHEMATIC DIAGRAM (TUNER) S	31
SCHEMATIC DIAGRAM (CDP)	32
SCHEMATIC DIAGRAM (TURNTABLE)	33
PCB LAYOUT (MAIN) B	34
PCB LAYOUT (MAIN) E S	34
PCB LAYOUT (FRONT) B	35
PCB LAYOUT (FRONT) E S	35
PCB LAYOUT (HEAD PHONE, MIC JACK, SPEAKER TERMINAL, REC LED, LED, ANT, POWER SW)	36
PCB LAYOUT (CD, TX, TAPE SW)	37
PCB LAYOUT (POWER) B	38
PCB LAYOUT (POWER) E S	38
PCB LAYOUT (CDP, DISPLAY, LAMP, REC/PB SW, TUNER)	39

For Service Manuals Contact
MAURITRON TECHNICAL SERVICES
8 Cherry Tree Rd, Chinnor
Oxon OX9 4QY
Tel:- 01844-351694 Fax:- 01844-352554
Email:- enquiries@mauritron.co.uk

★ SAFETY INSTRUCTIONS

PRECAUTIONS DURING SERVICING

1. Parts identified by the ▲ (*) symbol parts are critical for safety. Replace only with parts number specified.
2. In addition to safety, other parts and assemblies are specified for conformance with such regulations as those applying to spurious radiation. These must also be replaced only with specified replacements. Examples: RF converters, tuner units, antenna selectswitches, RF cables, noise blocking capacitors, noise blocking filters, etc.
3. Use specified internal wiring. Note especially:
 - 1) Wires covered with PVC tubing
 - 2) Double insulated wires
 - 3) High voltage leads
4. Use specified insulating materials for hazardous live parts. Note especially:
 - 1) Insulation Tape
 - 2) PVC tubing
 - 3) Spacers (Insulating Barriers)
 - 4) Insulation sheets for transistors
 - 5) Plastic screws for fixing microswitch (especially in turntable)
5. When replacing AC primary side components (transformers, power cords, noise blocking capacitors, etc.), wrap ends of wires securely about the terminals before soldering.

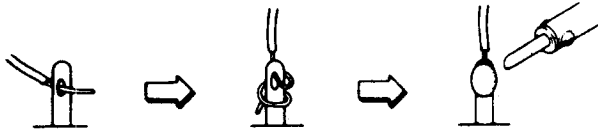
6. Observe that wires do not contact heat producing parts (heatsinks, oxide metal film resistors, fusible resistors, etc.).
7. Check that replaced wires do not contact sharp edged or pointed parts.
8. Also check areas surrounding repaired locations.
9. Use care that foreign objects (screws, solder droplets, etc.) do not remain inside the set.

SAFETY CHECK AFTER SERVICING

After servicing, make measurements of leakage-current or resistance in order to determine that exposed parts are acceptably insulated from the supply circuit.

The leakage-current measurement should be done between accessible metal parts (such as chassis, ground terminal, microphone jacks, signal-input/output connectors, etc.) and the earth ground through a resistor of 1500 ohms paralleled with a 0.15 μ F capacitor, under the unit's normal working conditions. The leakage-current should be less than 0.5 mA rms AC.

The resistance measurement should be done between accessible exposed metal parts and power cord plug prongs with the power switch (if included) "ON". The resistance should be more than 2.2 Mohms.



★ INFORMATION

SYMBOLS FOR PRIMARY DESTINATION

Alphabet indicates the destination of the units as listed below.

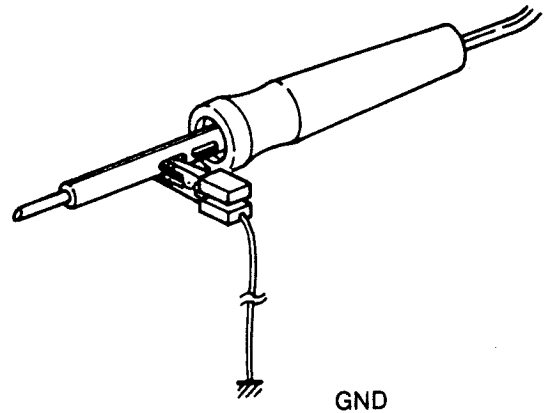
Symbols	Principal Destinations
A	USA
B	UK
C	Canada
E	Europe (except UK)
J	Japan
S	Australia
V	W. Germany only
U	Universal Area
Y*	Custom version

For Service Manuals Contact
MAURITRON TECHNICAL SERVICES
 8 Cherry Tree Rd, Chinnor
 Oxon OX9 4QY
 Tel:- 01844-351694 Fax:- 01844-352554
 Email:- enquiries@mauritron.co.uk

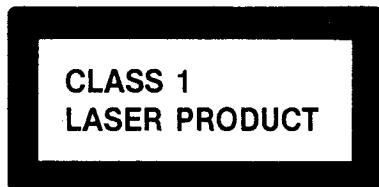
PRECAUTIONS IN REPAIRING

When repairing or adjusting the unit, please note the following points.

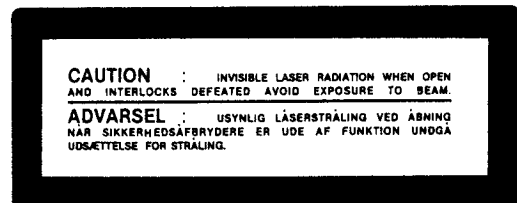
1. Do not put excessive pressure on the mechanical part (operation part), including the pick-up block, as extremely high mechanical precision is required in these parts.
2. When the mechanical part or P.C. Board is removed for repair or adjustment, make sure that there are no metal objects in the narrow gap between the P.C. Board or the mecha parts and the base.
3. The micro-computer and the CD signal processing IC's can be damaged by static electricity or leakage from a soldering iron during repairing. While soldering, please take the precautions against leakage as in the illustration below.
4. Do not loosen any screws in the pick-up block. When handling the Pick-up block, please refer to the points to NOTE when replacing the pick-up block.
5. Keep safety from hazardous invisible laser radiation, DO NOT watch the laser beam (objective lens) directly.
6. Modes for the some countries, laser warning labels are affixed on the unit and inside of the unit, as shown below. Read it carefully for your safety, when replacing or adjusting the unit.



[DENMARK, UK, USA]



A label affixed on the Rear chassis of the unit.



A label affixed on the Disc clammer inside of the unit.

I. SPECIFICATIONS

MAIN

RADIO SECTION

Tuning Ranges	: MW : 530-1610 KHz
	LW : 153-344 KHz B E
	FM : 87.5-108 MHz
Sensitivity	: MW : 1000 μ V
	LW : 2000 μ V B E
	FM : 10 μ V
Antennas	: MW, LW : Loop
	FM : 75 Ohm antenna

CASSETTE SECTION

Recording System	: AC bias : 85 KHz
Erasing System	: Magnetic erase
Tape Speed	: 4.75 cm/sec. (Normal), 9.5 cm/sec. (Hi-speed)
F. Forward Time	: 120 sec.
Rewind Time	: 120 sec.
Wow & Flutter	: 0.3%
Frequency Response	: 125 Hz-10 KHz
S/N Ratio	: 40 dB

TURN TABLE SECTION

Turn Table (Platter)	: Plastic Mold, 280 mm Diameter
Drive System	: Belt Drive Semi-automatic
Motor	: DC Servo Motor
Speed	: 33-1/3 & 45 rpm
Wow & Flutter	: 0.25% (Wrms)
Rumble	: More Than 50 dB (Din-B)
Tone ARM	: Static Balanced Straight Type
Effective ARM Length	: 198 mm
Cartridge	: Moving Magnetic Type (AT-3606. W/STYLUS)
Stylus	: ATN 3606
Output Voltage	: 2.5-5 mV
Channel Separation	: More Than 18 dB
Optimal Stylus Pressure	: 3-5 g
Weight	: 0.5 Kg

MICROPHONE SECTION

Input Sensitivity	: 2.5 mV/50 Kohms
-------------------	-------------------

GENERAL

Output Power	: 2 x 25 W
Power Source	: AC 240 V/50 Hz B S AC 220 V/50 Hz E
Dimensions	: 350(W) x 422(H) x 351(D) mm

CDP

CDP

System	: Compact disc digital audio system
--------	--

AUDIO CHARACTERISTICS

Frequency Response	: 20 Hz-20 KHz
Harmonic Distortion	: Less than 0.04% (1 KHz)
S/N Ratio	: More than 90 dB
Wow and Flutter	: Below measurable limits
Channel Separation	: More than 80 dB (1 KHz)
Output Voltage Max.	: 2 Vrms

FUNCTIONS

Instant Program Selection	: Sequential, with SKIP (◀ and ▶) buttons
Index	: Sequential, with SEARCH/INDEX (▶ and ◀) buttons (Stop mode only)
Fast-Forward/Back	: Fast-forward/back with sound
Remain Time Display	: With TIME button (during normal disc play only)
Program Functions	: 16 selections
Repeat	: One track, All tracks, All programmed tracks
Program Reset	: Press STOP button twice (during programmed disc play)
Pause	: Each track
Disc Loading	: Motor driven horizontal loading

DIGITAL SIGNAL PROCESSING

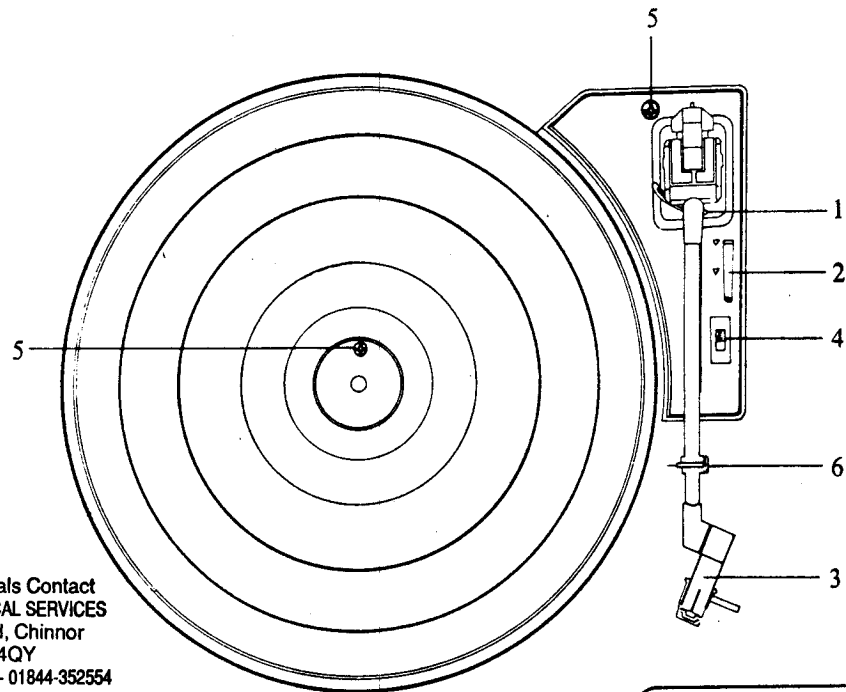
Optical Pickup	: 3-beam laser
Error Correction	: CIRC
Sampling Frequency	: 44.1 KHz
D/A Conversion	: 16-bit linear
Filter	: Digital filter + (4-pole LC filter)

*Specifications and design are subject to change without notice.

For Service Manuals Contact
MAURITRON TECHNICAL SERVICES
8 Cherry Tree Rd, Chinnor
Oxon OX9 4QY
Tel: 01844-351694 Fax: 01844-352554
Email: enquiries@mauritron.co.uk

II. CONTROLS

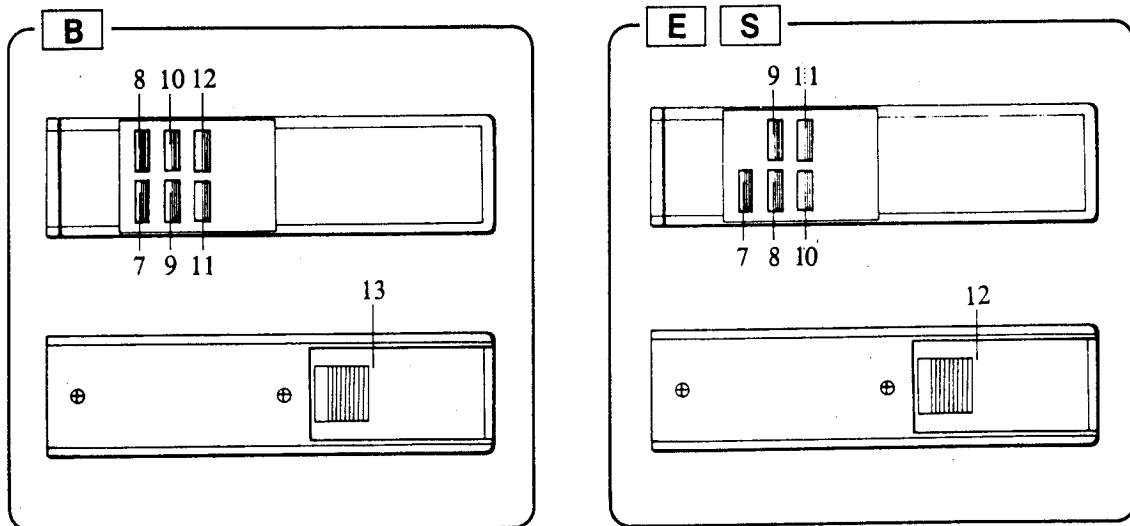
2-1 TURN TABLE (TOP)



For Service Manuals Contact
MAURITRON TECHNICAL SERVICES
 8 Cherry Tree Rd, Chinnor
 Oxon OX9 4QY
 Tel:- 01844-351694 Fax:- 01844-352554
 Email:- enquiries@mauritron.co.uk

**Before operating,
 remove the screw 5.**

2-2 REMOTE CONTROL

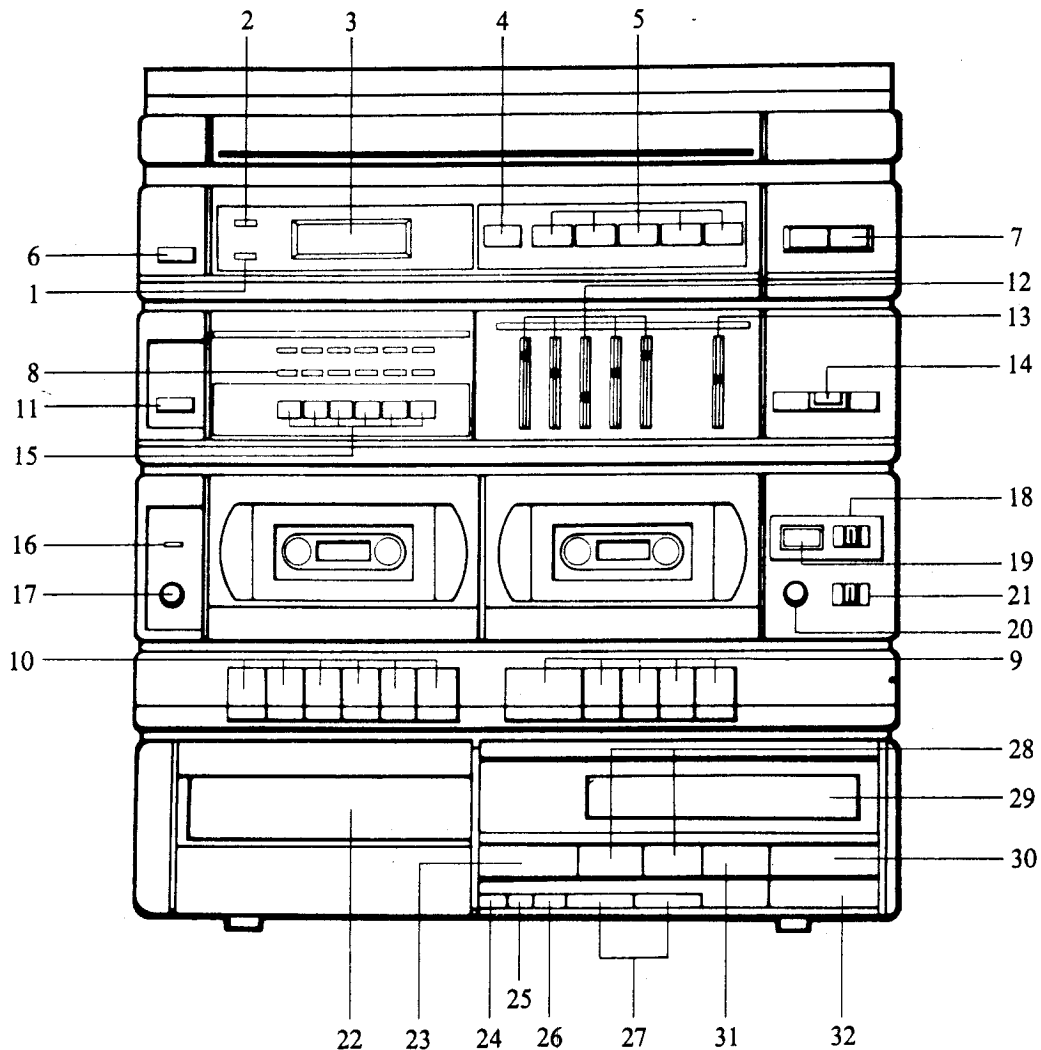


1. Arm Lifter
2. Cueing Lever
3. Cartridge
4. Speed Selector
5. Shipping Screw
6. Arm-Rest

7. POWER OFF Button
8. POWER ON Button
9. VOLUME DOWN Button
10. VOLUME UP Button
11. PRESET SCAN START Button
12. PRESET SCAN STOP Button
13. Battery Cover

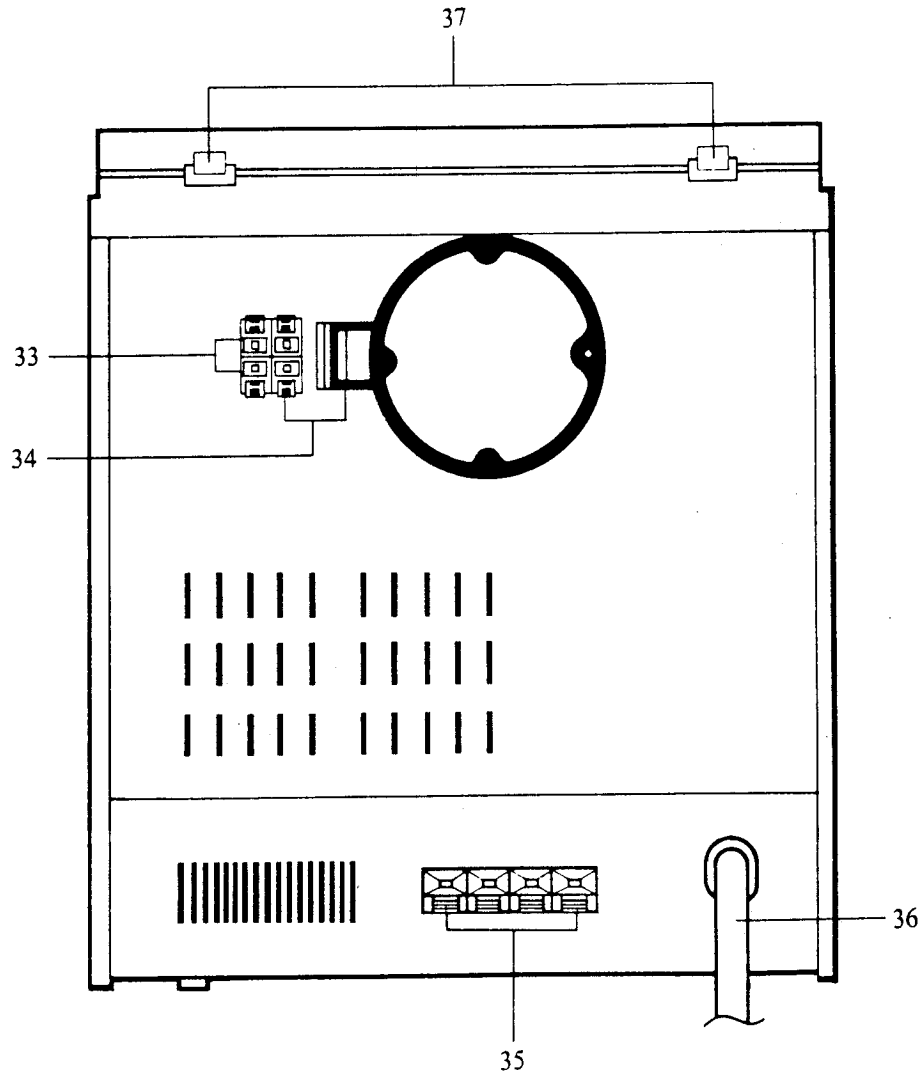
7. POWER ON/OFF
8. PRESET SCAN START Button
9. PRESET SCAN STOP Button
10. VOLUME DOWN Button
11. VOLUME UP Button
12. Battery Cover

2-3 FEATURE OR FIGURE (FRONT)



- | | |
|---------------------------------------|----------------------------------|
| 1. TUNED Indicator | 17. PHONES Jack |
| 2. STEREO Indicator | 18. TAPE SELECTOR Switch |
| 3. LC (Liquid Crystal) Display | 19. REMOTE SENSOR Window |
| 4. MEMORY Button | 20. MIC Jack |
| 5. PRESET STATION Buttons | 21. DUBBING Switch |
| 6. FM MONO/STEREO/BEAT CUT Switch | 22. Disc Drawer |
| 7. TUNING UP/DOWN Button | 23. OPEN/CLOSE ▲ Button |
| 8. Level Indicator | 24. REPEAT Button |
| 9. Deck I Control Buttons | 25. MODE Button |
| 10. Deck II Control Buttons | 26. PROGRAM Button |
| 11. POWER ON/OFF Switch | 27. Search/Index (◀◀/▶▶) Buttons |
| 12. 5 Band Graphic Equalizer Controls | 28. Skip (◀◀/▶▶) Buttons |
| 13. BALANCE Control | 29. LC (Liquid Crystal) Display |
| 14. VOLUME Control | 30. Play ▶ Button |
| 15. INPUT SELECTOR Buttons | 31. Pause ■■ Button |
| 16. REC (Record) Indicator | 32. Stop ■■ Button |

(REAR)



33. FM Antenna Terminal
34. MW/LW Antenna Terminal
35. Speakers Terminal

36. AC Cord
37. Hinge

For Service Manuals Contact
MAURITRON TECHNICAL SERVICES
8 Cherry Tree Rd, Chinnor
Oxon OX9 4QY
Tel:- 01844-351694 Fax:- 01844-352554
Email:- enquiries@mauritron.co.uk

III ADJUSTMENT

3-1 TAPE SPEED ADJUSTMENT

Connect a frequency counter to phone jack.

3-1-1 HIGH SPEED ADJUSTMENT

1. Cut the lead of R452.
2. For the TAPE I section, adjust the SVR401 to obtain a tape speed of 6300 ± 10 Hz.

3-1-2 NORMAL SPEED ADJUSTMENT

1. Short the circuit R452 by solder.
2. For the TAPE I section, adjust the SVR402 to obtain a tape speed of 3150 ± 10 Hz.

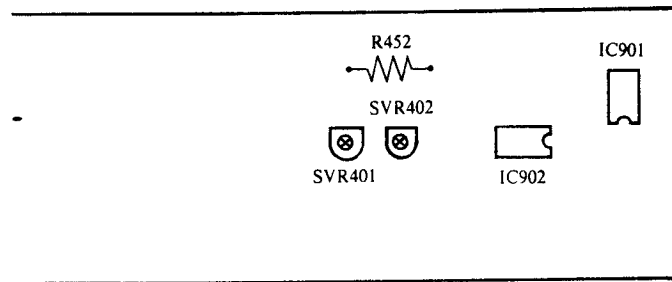


Fig. 3-1

3-1-3 HEAD AZIMUTH ADJUSTMENT

1. Connect a A.C. Voltmeter To Phone Jack.
2. Play Back a 10 KHz Azimuth Alignment Tape (AT-750778) and Adjust The Azimuth Alignment Screw Until The Output Levels Are Maximum.
3. After Adjustment Paintlock The Azimuth Alignment Screw.

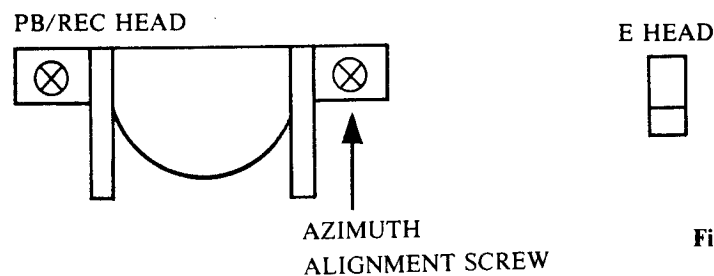


Fig. 3-2

3-2 TURN TABLE SPEED ADJUSTMENT

1. Connect a frequency counter to phone jack.
2. Set the speed selector to $33\frac{1}{3}$ rpm.
3. Play back the test record (1000 Hz $33\frac{1}{3}$ rpm), and adjust VR2 so that the speed is 1000 Hz.
4. Set the speed selector to 45 rpm.
5. Play back the test record (1000 Hz 45 rpm), and adjust VR1 so that the speed is 1000 Hz.

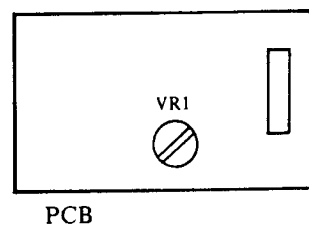


Fig. 3-3

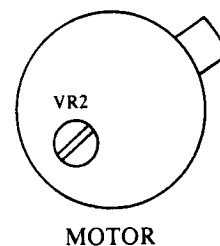


Fig. 3-4

3-3 TUNER ADJUSTMENT

3-3-1 INSTRUMENT CONNECTIONS

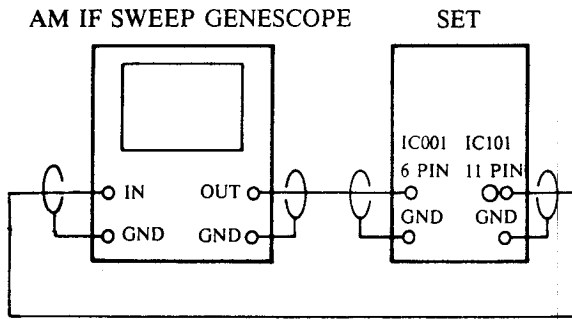


Fig. 3-5 MW, IF Adjustment

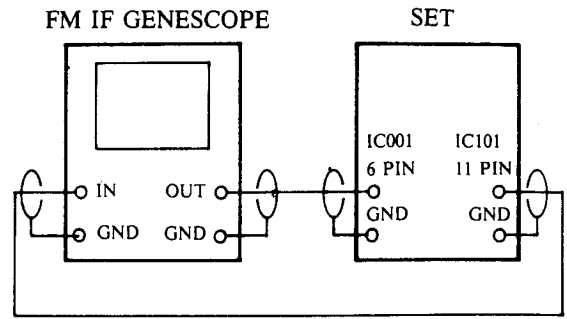


Fig. 3-6 FM, IF Adjustment

For Service Manuals Contact
MAURITRON TECHNICAL SERVICES
 8 Cherry Tree Rd, Chinnor
 Oxon OX9 4QY
 Tel:- 01844-351694 Fax:- 01844-352554
 Email:- enquiries@mauritron.co.uk

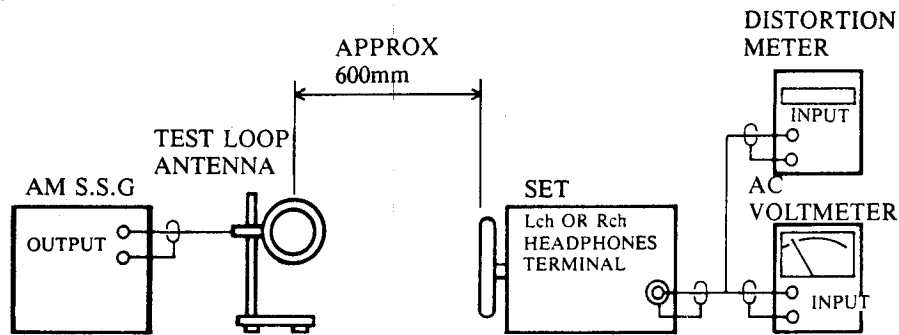


Fig. 3-7 Instrument Connection for AM (MW, LW)

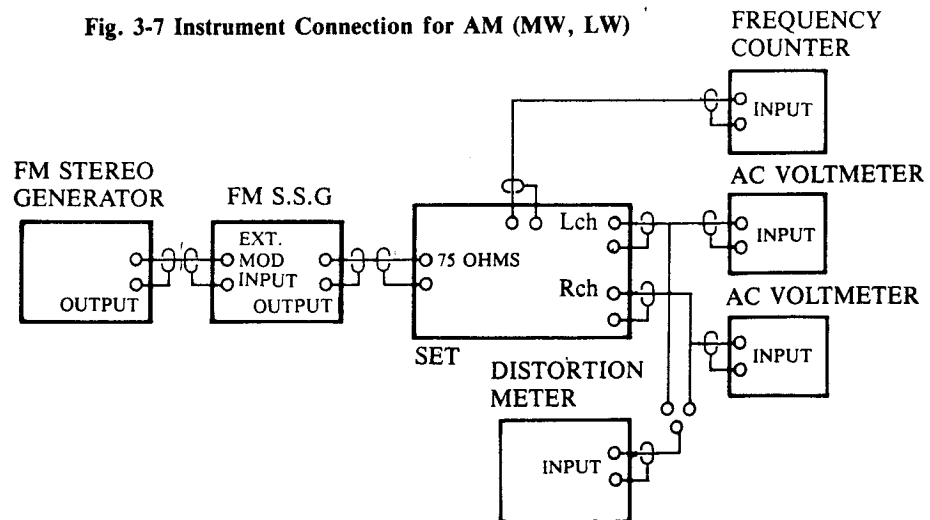


Fig. 3-8 Instrument Connection for FM Section Adjustment

3-3-2 FM ADJUSTMENT

NOTE:

1. Set the S.S.G to 1 KHz, 75 KHz deviation.
2. Confirm that the sensitivity margin between Low and High range sensitivities is within 3 dB, otherwise readjust Low and High range sensitivity.
3. Set BAND SELECTOR to FM.

Step	Adjustment Item	SSG FREQ/ATT	SET TUNING	Adjustment Part	Result	Remarks
1	FM IF			T001 T102	Maximum S Curve waveform (Upper waveform symmetricity)	Connect a sweep generator to IC001 (6) Pin and IC101 (11) Pin (IF OUT). Refer to Fig. 3-6
2	SENSITIVITY (LOW)	90 MHz 30 dB μ	90 MHz	L001	Minimum distortion	Refer to Fig. 3-8
3	SENSITIVITY (HIGH)	106 MHz 30 dB μ	106 MHz	C001	Minimum distortion	Refer to Fig. 3-8
4	For best result, repeat step 2 and 3 two or three times.					
5	MPX Free Running Frequency			R203	76 KHz \pm 50 Hz	Connect a frequency counter between Pin (4) of IC201 and GND. Refer to Fig. 3-8

3-3-3 MW ADJUSTMENT

NOTE:

1. Set the S.S.G to 1 KHz 30% modulation of each.
2. Set BAND SELECTOR to MW.

Step	Adjustment Item	SSG FREQ/ATT	SET TUNING	Adjustment Part	Result	Remarks
1	IF			T101 T103	Maximum Output	Connect a sweep generator to IC101 (1) Pin and IC101 (11) Pin (IF OUT). Refer to Fig. 3-5
3	SENSITIVITY (LOW)	550 KHz 60 dB μ	550 KHz	T106	Minimum distortion	Refer to Fig. 3-7
4	SENSITIVITY (HIGH)	1500 KHz 60 dB μ	1500 KHz	C002	Minimum distortion	Refer to Fig. 3-7
5	For best result, repeat step 2 and 4 two or three times.					
2	OSC	530 KHz	530 KHz	T104	Minimum distortion	Refer to Fig. 3-7

3-3-4 LW ADJUSTMENT

NOTE:

1. Set the S.S.G to 1 KHz 30% modulation of each.
2. Set BAND SELECTOR to LW.

Step	Adjustment Item	SSG FREQ/ATT	SET TUNING	Adjustment Part	Result	Remarks
2	SENSITIVITY (LOW)	160 KHz 60 dB μ	160 KHz	T107	Minimum distortion	Refer to Fig. 3-7
3	SENSITIVITY (HIGH)	300 KHz 60 dB μ	300 KHz	C003	Minimum distortion	Refer to Fig. 3-7
4	For best result, repeat step 2 and 3 two or three times.					
1	OSC	155 KHz	155 KHz	T105	Minimum distortion	Refer to Fig. 3-7

3-4 DISASSEMBLY PROCEDURES FOR CDP SECTION

3-4-1 REMOVING THE DISC TRAY

1. Apply Power Switch to the set and press the OPEN/CLOSE button to open the table load.
2. Apply OFF the Power Switch while the table load is open, and push the table load back in by hand to close it.

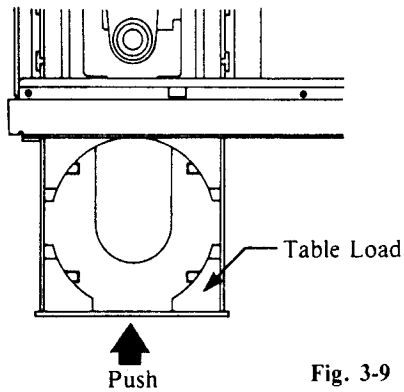


Fig. 3-9

3. Pull out the table load by hand to open it again. The table load will disengage easily and come out smoothly.
4. Now remove the table load from the cabinet while pressing the hook in the direction of the arrow as shown Fig. 3-10.

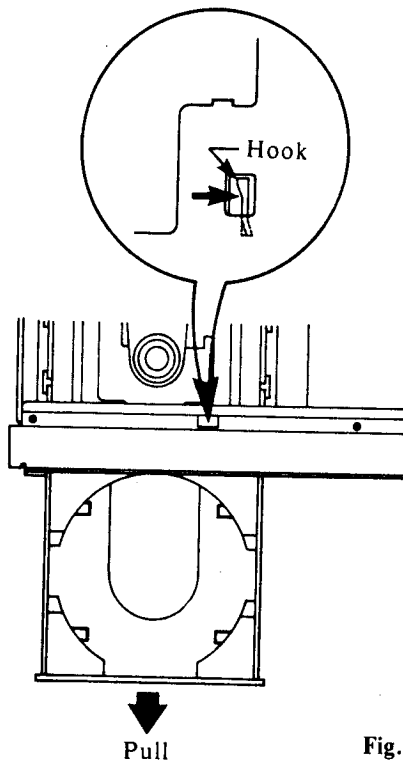


Fig. 3-10

3-4-2 REMOVING THE MECHANISM

Take out the four screws (9 – 12 in the diagram below) with which the mechanism is mounted in place and remove the mechanism.

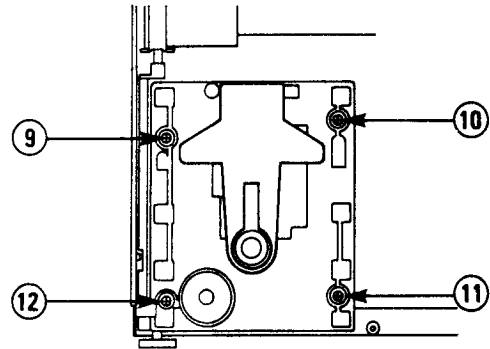


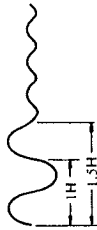
Fig. 3-11

For Service Manuals Contact
MAURITRON TECHNICAL SERVICES
8 Cherry Tree Rd, Chinnor
Oxon OX9 4QY
Tel:- 01844-351694 Fax:- 01844-352554
Email:- enquiries@mauritron.co.uk

5. KICK GAIN

1. Test disc TYPE III(AT-711881)
2. PAUSE
3. @ Connect channel 1 of the oscilloscope to pin 4(TE) of CN 12 and connect EXT TRIGGER of the oscilloscope to pin 2 (TRH) of CN 11.

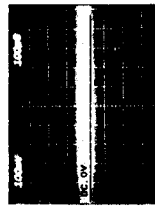
* Adjust P206 so that the kick pulse waveform becomes 1 to 1.5 Hz as shown below.



4. TRACKING SERVO GAIN

1. Test disc TYPE III (AT-711881)
2. PLAY
3. P204
4. @ Connect an oscilloscope between pin 3(T) of CN 9 and GND.

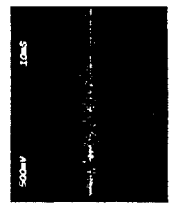
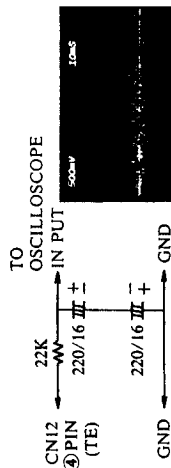
* 0.8 to 1.2 Vp-p.



1. E-F BALANCE

1. Test disc TYPE III(AT-711881)
2. PLAY
3. P203
4. @ Short between pin 4 and 5 of CN 9, and connect an oscilloscope between pin 4(TE) of CN 12 and GND through the low pass filter as shown below.

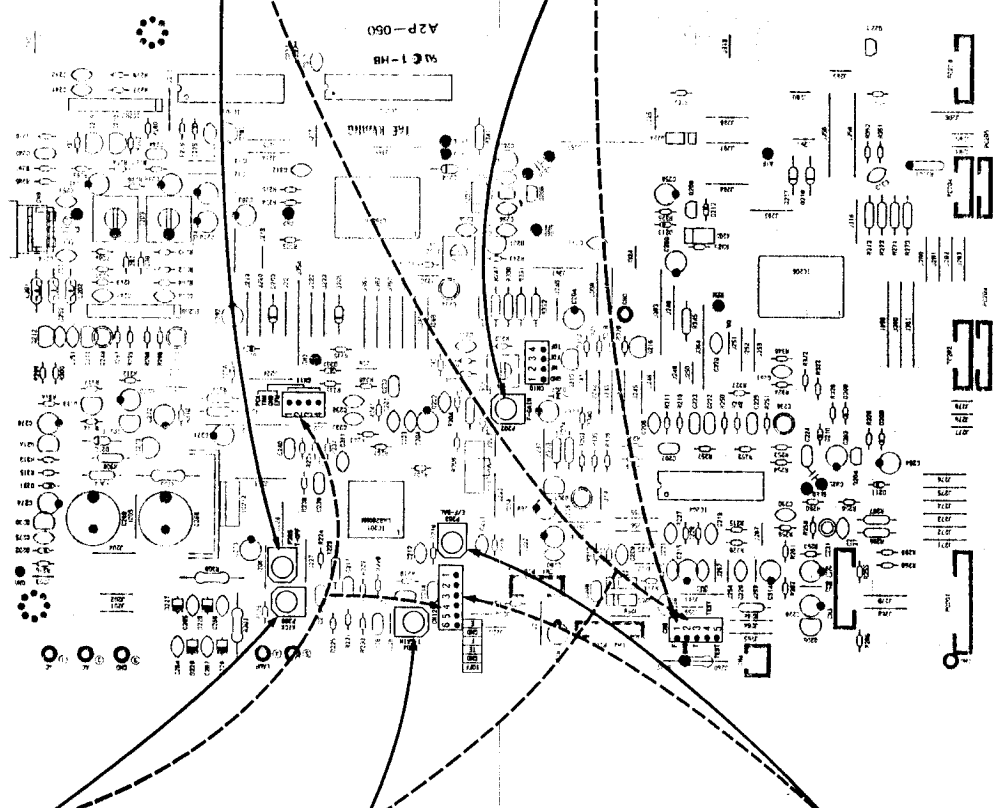
* Adjust P203 so that the center of waveform on the oscilloscope is DC 0 V as shown below.



STEP	ADJUSTMENT ITEM
1.	Test Disc
2.	Mode
3.	Test Point & Adj. Part
4.	Result & Remarks

ADJ. Part

Test Point

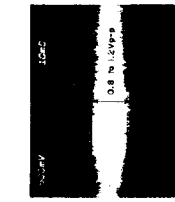


3. TRACKING SERVO OFF-SET

1. STOP
2. P205
3. @ Connect a digital DC voltmeter between pin 3(T) of CN 9 and GND, then short the pin 4(T OFF) of CN 10 and GND.
4. * 50mV.

2. FOCUS SERVO GAIN

1. Test disc TYPE III(AT-711881)
2. PLAY
3. P202
4. @ Connect an oscilloscope between pin 1(F) of CN 9 and GND.



IV. PARTS LIST

ATTENTION

- When placing an order for parts, be sure to list Part No., Model No. and the description of each part. Otherwise, the non-delivery of the part or the delivery of a wrong part may result.
- Please make sure that Part No. is correct when ordering.
If not, a part different from the one you ordered may be delivered.
- Since the parts shown in Parts List of Preliminary Service Manual may have been the subject of changes, please use this Parts List for all future reference.

HOW TO USE THIS PARTS LIST

- This Parts List lists those parts which are considered necessary for repairs. Other common parts, such as resistors and capacitors, are listed in the "Common List for Service Parts" from which these parts should be selected and stocked.
- The Recommended Spare Parts List shows those parts in the Parts List which are considered particularly important for service.
- Parts not shown in the Parts List and "Common List for Service Parts" will not in principle be supplied.
- How to read the Parts List.

For Service Manuals Contact
MAURITRON TECHNICAL SERVICES
 8 Cherry Tree Rd, Chinnor
 Oxon OX9 4QY
 Tel: 01844-351694 Fax: 01844-352554
 Email: enquiries@mauritron.co.uk

a) Mechanism Block

2. HEAD BASE BLOCK

REF. NO.	PART NO.	DESCRIPTION
1	BH-T2023A320A	HEAD BASE BLOCK
2	HP-H2206A010A	HEAD R/P PR4-8FU C
3	ZS-477876	PAN20x03STL CMT
4	ZS-536488	BID20x08STL CMT
5	ZG-402895	SP CS ANGLE ADJUST

SP (Service Parts) Classification

This number corresponds with the individual parts index number in that figure.

b) PC Board

6. MAIN PC BOARD

REF. NO.	PART NO.	DESCRIPTION
IC1	EI-324536	IC HD14049RP
IC2	EI-336801	IC MB8841-564M
C1A	EC-338399	C MMY V 223M 250AC [U/E.B.S]
C1B	EC-350949	C MMY V 223M 250DC [J]
C1C	EC-338397	C MMY V 223M 125AC [CA]
X1	EI-318384	OSC XTAL NC-18C

Symbols for primary destination

[A] : AAL (U.S.A) [S] : SAA (Australia)
 [B] : BEAB (England) [U] : U/T (Univers Area)
 [C] : CSA (Canada)
 [E] : CEE (Europe) [V] : VDE (W. Germany)
 [J] : JPN (Japan) [Y] : Custom Version

SP (Service Parts) Classification

These reference symbols correspond with component symbols in the Schematic Diagrams.

The available PC Board Blocks are listed separately.

- When Part No. is known, Parts Index at end of Parts List can be used to locate where that part is shown in Parts List by its Reference No. listed at right of Part No.

WARNING

⚠(*) INDICATES SAFETY CRITICAL COMPONENTS. FOR CONTINUED SAFETY, REPLACE SAFETY CRITICAL COMPONENTS ONLY WITH MANUFACTURER'S RECOMMENDED PARTS.

AVERTISSEMENT

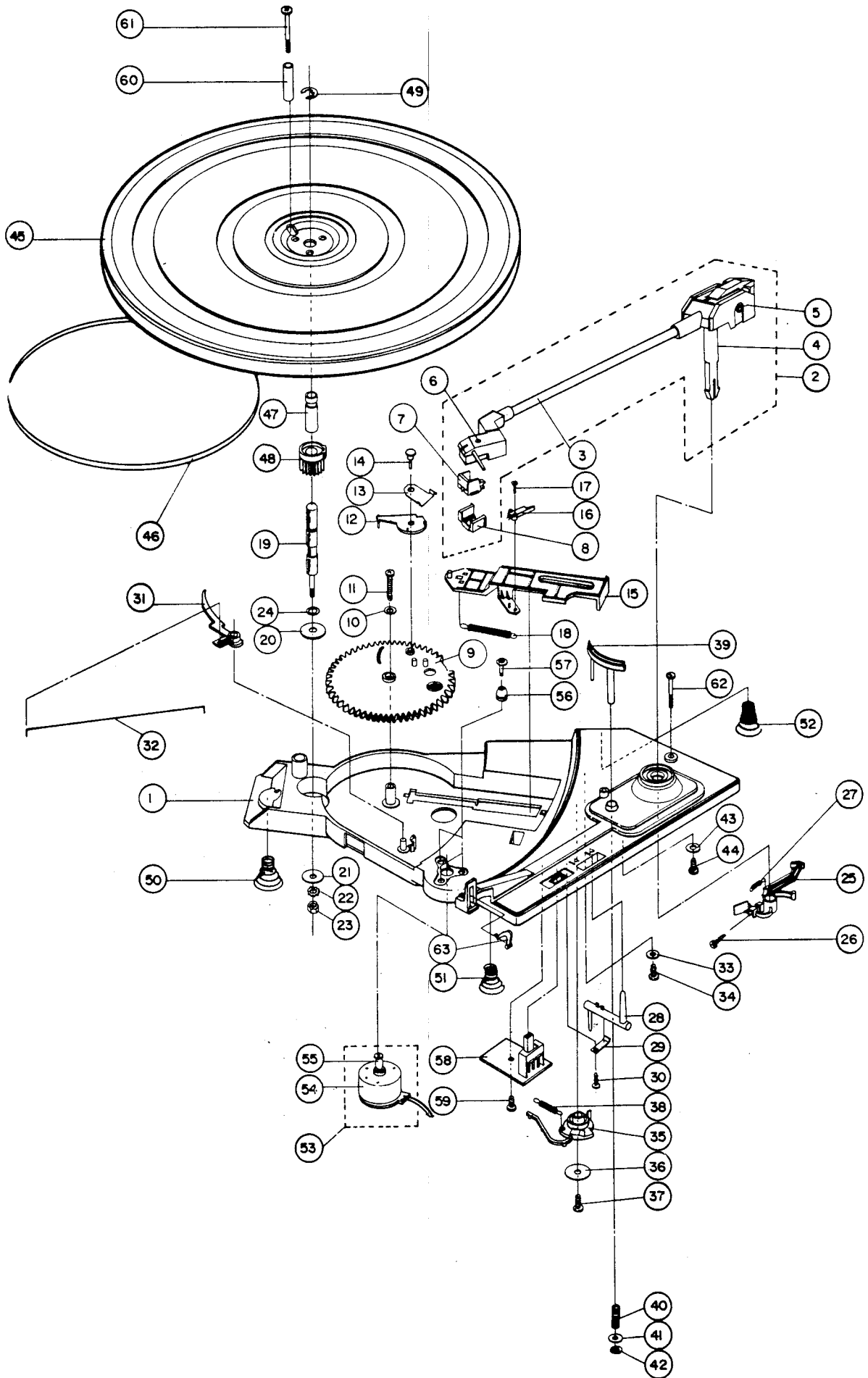
⚠(*) IL INDIQUE LES COMPOSANTS CRITIQUES DE SECURITE. POUR MAINTENIR LE DEGRE DE SECURITE DE L'APPAREIL, NE REMPLACER QUE DES PIECES RECOMMANDEES PAR LE FABRICANT.

1. RECOMMENDED SPARE PARTS

We suggest you to stock the following Recommended Spare Part items listed below since they can cover most of the routine service.

Ref. No.	Part No.	Description	Notes	Ref. No.	Part No.	Description	Notes
1	BB-728671K	CD MECHA BLK AC-M370		63	EI376113	OSC CE CSB455EB	
2	BB-728695K	MECHA BLK TN-21SW-670 AC-M370		64	EI-344422	OSC X'TAL HC-18/U 7.200MHZ	
3	BF-717793	FLYWHEEL ASSY		65	EI-728762K	OSC X'TAL HC-49/U 8.6436MHZ	
4	BF-717792	FLYWHEEL PART P		66	EM-728767K	IND LCD FTD6793	
5	BM-728734K	MOTOR ASSY		67	EM-728693K	IND LCD HDL-7109-5A2PQSA	
6	BM-372052	MOTOR EG-500YD-2B		68	EM-728698K	PL PL-12CLR110T	
7	BM-728647K	MOTOR LOADING		69	EM-728765K	PL 16V 110MA	
8	BM-728646K	MOTOR SPINDLE		70	EO-728760K	COIL OSC	
9	BO-728643K	PICK UP ASSY SF-88		71	*ER-728753K	R FUSE 1/2W 100J	
10	*BT-729258K	TRANS POW A86-031X-S AC-M370(E)	(E)	72	*ER-728752K	R FUSE 1/4W 100J	
11	*BT-728694K	TRANS POW A86-031X-V AC-M370(L)(B)	(B)	73	ES-728645K	SW LEAF	
12	*BT-729257K	TRANS POW A86-031Z-B AC-M370(S)	(S)	74	ES-728738K	SW LEAF MSW-1466C	
13	ED-728689K	D LED DLG-503T GREEN	(TUNING)	75	ES-726489J	SW LEAF MSW-1541T	
14	ED-728690K	D LED DLR-1503D RED	(REC)	76	ES-728644K	SW LEVER 1PIT	
15	ED-728688K	D LED DLR-503T RED		77	ES-728702K	SW PUSH R2100454	(MO/ST, BEAT CUT)
16	*ED-728687K	D SILICON H RL-203		78	*ES-728706K	SW PUSH SDL-1P	(POWER SW)
17	ED-307572	D SILICON H 1S131		80	ES-728700K	SW PUSH TR23264383 6KEY	(B,E) (INPUT SELECTOR SW)
18	ED-311852	D SILICON H 1S2471		81	ES-728739K	SW SLIDE SKS-2210B	
19	ED-624903	D SILICON H 1S2473	(E,S)	82	ES-728705K	SW SLIDE	(REC/PB SW)
20	ED-511907	D SILICON 1N4002 100/1.0A		83	ES-728704K	SW SLIDE 004200148	(TAPE SELECTOR)
21	ED-336832-A	D VARACTOR SVC211SPA A,B,C,D,E		84	ES-728703K	SW SLIDE 004300148	(DUBBING)
22	ED-728691K	D VARACTOR 1SV101		85	ES-728699K	SW TACT	(MEMORY)
23	ED-728692K	D VARACTOR 1SV149-A		86	ES-728766K	SW TACT	(OPEN/ CLOSE)
24	ED-728751K	D ZENER H MTZ7.5B		87	ET-372030	TR DTA144EF	
25	ED-362911	D ZENER H 05AZ13-Y		88	ET-363326	TR FET 2SK161 GR	
26	ED-384533J	D ZENER H 05AZ5.1-Y	(B)	89	ET-728749K	TR KSR1003	
27	ED-384543J	D ZENER H 05AZ6.2-Z		90	ET-728750K	TR KTA1015 GR	
28	ED-384550J	D ZENER H 05AZ7.5-Z		91	ET-728673K	TR KTA1015 Y	
29	*EF-258344	FUSE SEMKO T 250V 800MA		92	ET-728672K	TR KTA950 Y	(B)
30	EH-728761K	FILTER		93	ET-728746K	TR KTC1815 GR	(B,E)
31	EH-355568	FILTER CE SFE10.7MS2G-A		94	ET-725885K	TR KTC1815 Y	
32	EH-344435	FILTER CE SFU450B9 0.450MHZ		95	ET-728674K	TR KTC1923 O	
33	EH-728763K	FILTER CE 4.32MHZ		96	ET-726419K	TR KTC2120 Y	
34	EH-728714K	FILTER BPF BPMB6A		97	ET-728676K	TR KTC2236 Y	
35	EH-728759K	FILTER RF		98	ET-728675K	TR KTC2878 Y	
36	EH-728754K	R COMP RS103		99	ET-728677K	TR KTD2058 Y	
37	EI-383530J	IC BX-1407		100	ET-728748K	TR 2SB911-M	
38	EI-728743K	IC FA5205P		101	ET-347961	TR 2SD1012-V G F05	
40	EI-728683K	IC KA2221		102	ET-728747K	TR 2SD1227-M	
41	EI-728682K	IC KA22241		103	EV-728708K	VR SLIDE VJ-3031- 2GPNV-20BH 104	(BALANCE)
42	EI-728684K	IC KA2281		104	EV-728093K	VR SLIDE VJ-3031- 2GPNV-20BH 104 x 2	(100HZ)
43	EI-728686K	IC KA4558C		105	EV-728707K	VR SLIDE VL-3031- 2GPNV-15C 503	(VOLUME)
44	EI-728681K	IC LA3246	(B)	106	HE-728772J	HEAD E	
45	EI-728745K	IC LA6462S		107	HP-728770J	HEAD P	
46	EI-728740K	IC LA9200NM		108	HR-728771J	HEAD R/P	
47	EI-382251J	IC LC3517BS-15		109	MB-728736K	BELT	
48	EI-728741K	IC LC7860N		110	MB-721445	BELT MAIN	
49	EI-728742K	IC LC7880		111	MB-717803	BELT MAIN	
50	EI-728744K	IC M50930-414FP		112	MB-726455J	BELT RF	
51	EI-336995	IC NJM78L05A		113	ML-717787	ARM PINCH ROLLER PART R/P	
52	*EI-728680K	IC STK4132-2		114	ML-728768J	RF PULLEY ARM ASSY	
53	EI-359683	IC TA7343AP		115	MR-728769J	PULLEY MOTOR	
54	EI-713319	IC TA7358AP		116	MR-728649K	TURN TABLE	
55	EI-728678K	IC TA7758P		117	TP-728737K	CARTRIDGE ATN-3609YW	
56	EI-367185	IC TA78L006AP		118	TP-728733K	PLATTER AC-M370	
57	EI-367186	IC TA79L006P		119	TP-728731K	TONE ARM ASSY AC-M370	
58	EI-728685K	IC TC9149P	(B)				
59	EI-361638	IC TC9153AP	(B)				
60	EI-363289	IC TC9172P					
61	EI-728679K	IC TC9302AF-008-BS					

TURN TABLE BLOCK



2. TURN TABLE BLOCK

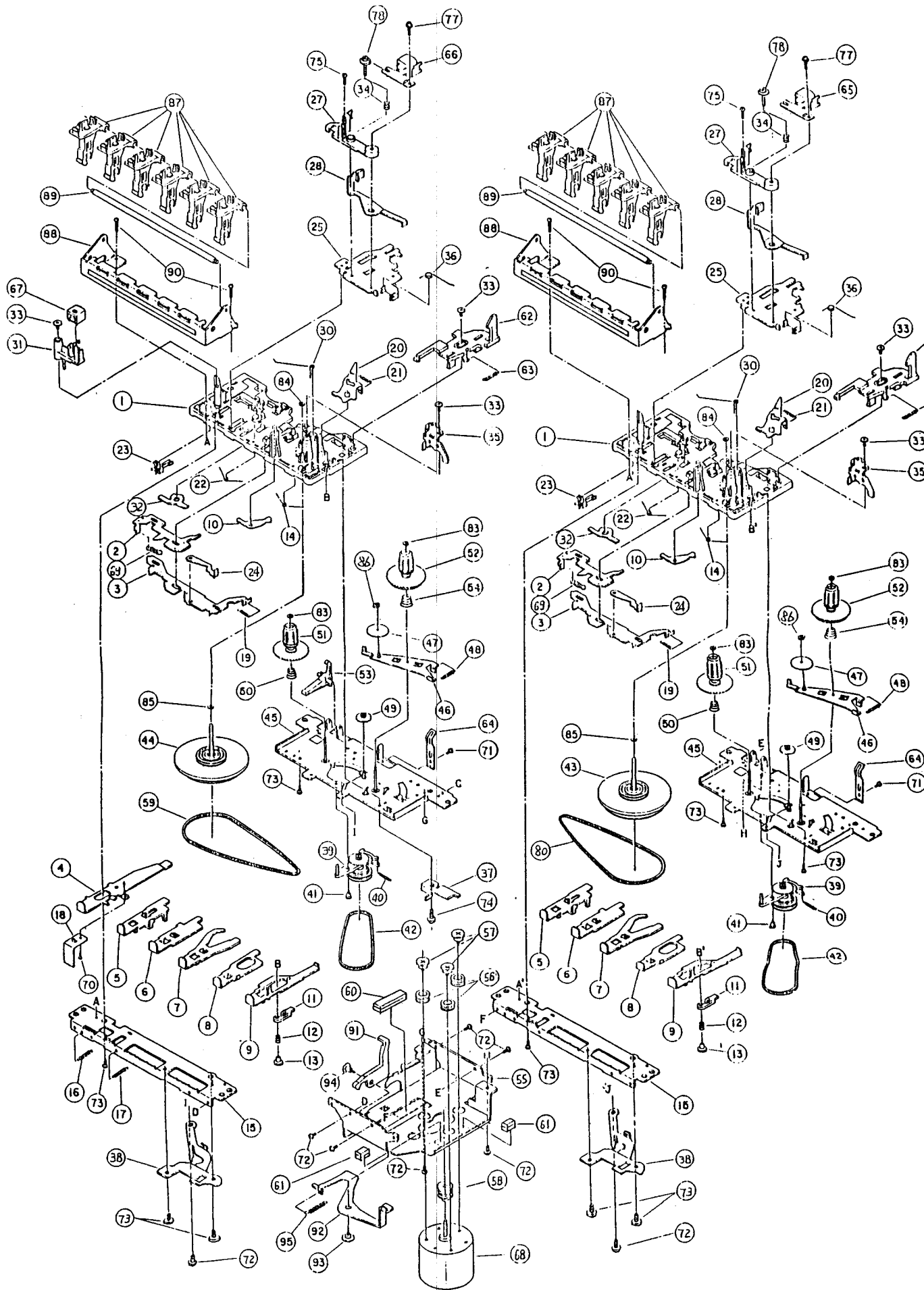
Ref. No.	Part No.	Description	Notes
2	TP-728731K	TONE ARM ASSY AC-M370	
7	TP-728737J	STYLUS ATN 3606	
9	MZ-728096K	GEAR RING	
15	ML-728097K	LEVER RETURN	
16	ES-728738K	SW LEAF MSW-1466C	
25	ML-728098K	ARM FEED	
31	ML-728099K	LEVER CLUTCH	
35	TP-728735K	ELEVATOR	
45	TP-728733K	PLATTER AC-M370	
46	MB-728736K	BELT	
48	MZ-728732K	GEAR TURN TABLE	
53	BM-728734K	MOTOR ASSY	
58	ES-728739K	SW SLIDE SKS-2210B	

NOTE:

Parts will not be supplied if they are not listed in the parts list, even if they appear on the assembling illustrations with reference No.

For Service Manuals Contact
MAURITRON TECHNICAL SERVICES
8 Cherry Tree Rd, Chinnor
Oxon OX9 4QY
Tel:- 01844-351694 Fax:- 01844-352554
Email:- enquiries@mauritron.co.uk

CASSETTE MECHA BLOCK TN-21SW-670



3. CASSETTE MECHA BLOCK TN-21SW-670

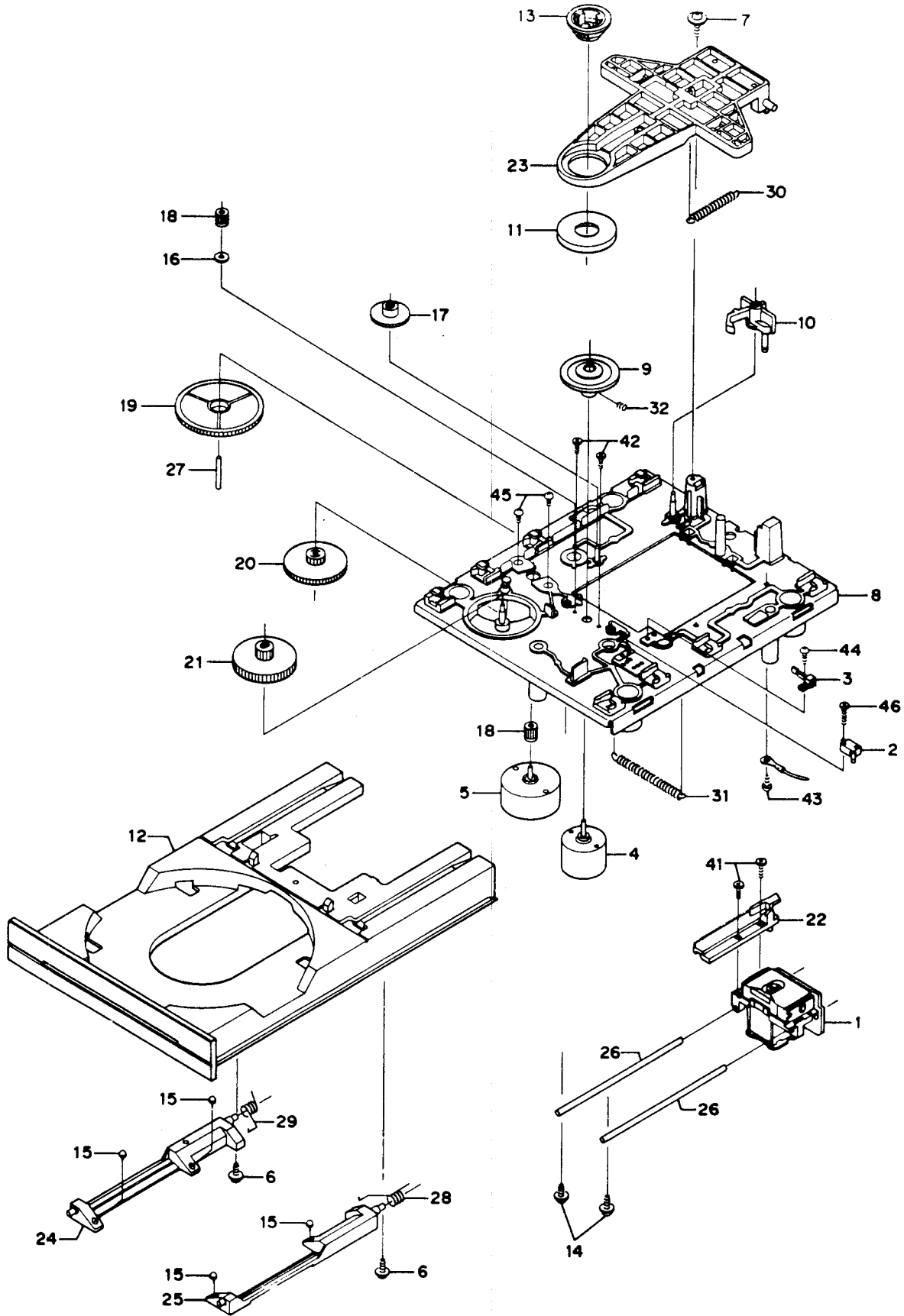
Ref. No.	Part No.	Description	Notes
23	ES-726489J	SW LEAF MSW-1541T	
35	ML-717787	ARM PINCH ROLLER PART R/P	
39	ML-728768J	RF PULLEY ARM ASSY	
42	MB-726455J	BELT RF	
43	BF-717792	FLYWHEEL PART P	
44	BF-717793	FLYWHEEL ASSY	
47	MI-726456J	GEAR TAKE-UP	
49	MI-725793J	GEAR FF	
51	BR-726505J	SUPPLY REEL ASSY	
52	BR-719570	SUPPLY REEL ASSY	
58	MR-728769J	PULLEY MOTOR	
59	MB-721445	BELT MAIN	
65	HP-728770J	HEAD P	
66	HR-728771J	HEAD R/P	
67	HE-728772J	HEAD E	
68	BM-372052	MOTOR EG-500YD-2B	
80	MB-717803	BELT MAIN	

NOTE:

Parts will not be supplied if they are not listed in the parts list, even if they appear on the assembling illustrations with reference No.

For Service Manuals Contact
MAURITRON TECHNICAL SERVICES
8 Cherry Tree Rd, Chinnor
Oxon OX9 4QY
Tel: 01844-351694 Fax: 01844-352554
Email: enquiries@mauritron.co.uk

CD MECHA BLOCK



NOTE:

Parts will not be supplied if they are not listed in the parts list, even if they appear on the assembling illustrations with reference No.

4. CD MECHA BLOCK

Ref. No.	Part No.	Description	Notes
1	BO-728643K	PICK UP ASSY SF-88	
2	ES-728644K	SW LEVER 1P1T	
3	ES-728645K	SW LEAF	
4	BM-728646K	MOTOR SPINDLE	
5	BM-728647K	MOTOR LOADING	
18	MZ-728657K	GEAR MOTOR	
50	BB-728671K	CD MECHA BLK AC-M370	

5. P.C BOARD BLOCK

REF. NO.	PART-NO.	DESCRIPTION	NOTES
1A	BA-728637K	PC MAIN BLK AC-M370L	(B)
1B	BA-729265K	PC MAIN BLK AC-M370 (FOR AUSTRALIA)	(S,E)
2A	BA-728638K	PC TUNER BLK AC-M370L	(B,E)
2B	BA-729266K	PC TUNER BLK AC-M370 (FM/AM 2 BAND)	(S)
3A	BA-728639K	PC POWER SUPPLY BLK AC-M370L	(B)
3B	BA-729267K	PC POWER BLK AC-M370 (FOR AUSTRALIA)	(S,E)
4	BA-728640K	PC CD MAIN BLK AC-M370L	

6. MAIN P.C BOARD

Ref. No.	Part No.	Description	Notes
D401	ED-511907	D SILICON 1N4002 100/1.0A	
D450	ED-624903	D SILICON H 1S2473	(E,S)
D452	ED-624903	D SILICON H 1S2473	(E,S)
D903	ED-624903	D SILICON H 1S2473	(B)
D904	ED-624903	D SILICON H 1S2473	(B)
D905	ED-624903	D SILICON H 1S2473	(B)
D906	ED-624903	D SILICON H 1S2473	(B)
D907	ED-624903	D SILICON H 1S2473	(B)
D908	ED-624903	D SILICON H 1S2473	(B)
D909	ED-624903	D SILICON H 1S2473	(B)
D909-1	ED-624903	D SILICON H 1S2473	
D920	ED-624903	D SILICON H 1S2473	(B)
D940	ED-384533J	D ZENER H 05AZ5.1-Y	(B)
D951	ED-624903	D SILICON H 1S2473	
D952	ED-624903	D SILICON H 1S2473	
D953	ED-624903	D SILICON H 1S2473	
D954	ED-624903	D SILICON H 1S2473	
D955	ED-624903	D SILICON H 1S2473	
D956	ED-624903	D SILICON H 1S2473	
D957	ED-624903	D SILICON H 1S2473	
D958	ED-624903	D SILICON H 1S2473	
IC401	EI-728681K	IC LA3246	
IC431	EI-728682K	IC KA22241	
IC501	EI-728683K	IC KA2221	
IC801	EI-728685K	IC TC9149P	(B)
IC802	EI-361638	IC TC9153AP	(B)
Q431	ET-725885K	TR KTC1815 Y	
Q903	ET-725885K	TR KTC1815 Y	(B)
Q904	ET-725885K	TR KTC1815 Y	(B)
Q905	ET-725885K	TR KTC1815 Y	(B)
Q908	ET-725885K	TR KTC1815 Y	(B)
Q909	ET-725885K	TR KTC1815 Y	(B)
Q910	ET-726419K	TR KTC2120 Y	
Q911	ET-726419K	TR KTC2120 Y	
SVR401	EV-702567	R S-FIX H TT24R 202	
SVR402	EV-749777	R S-FIX H TT24R 502	
S505A	ES-728700K	SW PUSH TR23264383 6KEY	(B,E) (INPUT SELECTOR SW)
S505B	ES-729264K	SW PUSH TR23254387 5KEY	(S) (INPUT SELECTOR SW)

Ref. No.	Part No.	Description	Notes
F1,2	*EF-623125	FUSE _A SEMKO _A T _A 250V _A 2.50A	(E,S)
F1,2	*EF-364518	FUSE _A BET _A T _A 250V _A 2.50A	(B)
F3 to 8	*EF-623103	FUSE _A SEMKO _A T _A 250V _A 1.00A	(E,S)
F3 to 8	*EF-355226	FUSE _A BET _A T _A 250V _A 1.00A	(B)

7. FRONT P.C BOARD

Ref. No.	Part No.	Description	Notes
D701	ED-728688K	D LED DLR-503T RED	
D702	ED-728688K	D LED DLR-503T RED	
D703	ED-728688K	D LED DLR-503T RED	
D704	ED-728688K	D LED DLR-503T RED	
D705	ED-728688K	D LED DLR-503T RED	
D706	ED-728688K	D LED DLR-503T RED	
D707	ED-728688K	D LED DLR-503T RED	
D708	ED-728688K	D LED DLR-503T RED	
D709	ED-728688K	D LED DLR-503T RED	
D710	ED-728688K	D LED DLR-503T RED	
IC701	EI-628684K	IC KA2281	
IC702	EI-728686K	IC KA4558C	(B)
Q501	ET-725885K	TR KTC1815 Y	
Q502	ET-725885K	TR KTC1815 Y	
Q503	ET-725885K	TR KTC1815 Y	
Q504	ET-725885K	TR KTC1815 Y	
Q901	ET-725885K	TR KTC1815 Y	
Q902	ET-725885K	TR KTC1815 Y	
S301	ES-728699K	SW TACT	(MEMORY) (1)
S302	ES-728699K	SW TACT	(2)
S303	ES-728699K	SW TACT	(3)
S304	ES-728699K	SW TACT	(4)
S305	ES-728699K	SW TACT	(5)
S306	ES-728699K	SW TACT	(TUNING DOWN)
S307	ES-728699K	SW TACT	(TUNING UP)
S308	ES-728699K	SW TACT	(100HZ)
VR501	EV-728093K	VR SLIDE VJ-3031- 2GPNV-20BH 104 x 2	(330HZ)
VR502	EV-728093K	VR SLIDE VJ-3031- 2GPNV-20BH 104 x 2	(1KHZ)
VR503	EV-728093K	VR SLIDE VJ-3031- 2GPNV-20BH 104 x 2	(3.3KHZ)
VR504	EV-728093K	VR SLIDE VJ-3031- 2GPNV-20BH 104 x 2	(10KHZ)
VR505	EV-728093K	VR SLIDE VJ-3031- 2GPNV-20BH 104 x 2	(BALANCE)
VR506	EV-728708K	VR SLIDE VJ-3031- 2GPNV-20BH 104	(VOLUME)
VR507	EV-728707K	VR SLIDE VJ-3031- 2GPNV-15C 503	

8. MIC JACK P.C BOARD

Ref. No.	Part No.	Description	Notes
JK501	EJ-728710K	PHONE J HYT80-065	(MIC JACK)
Q505	ET-725885K	TR KTC1815 Y	

For Service Manuals Contact
MAURITRON TECHNICAL SERVICES
 8 Cherry Tree Rd, Chinnor
 Oxon OX9 4QY
 Tel: 01844-351694 Fax: 01844-352554
 Email: enquiries@mauritron.co.uk

9. PHONE JACK P.C. BOARD

Ref. No.	Part No.	Description	Notes
JK601	EJ-728709K	PHONE J HYT60-065	(HEAD- PHONE)

10. ANT P.C BOARD

Ref. No.	Part No.	Description	Notes
D001	ED-624903	D SILICON H 1S2473	
TM1	EJ-728712K	ANT TERMINAL	(ANT TERMINAL)

11. LED P.C BOARD

Ref. No.	Part No.	Description	Notes
D201	ED-728688K	D LED DLR-503T RED	(STEREO)
D202	ED-728689K	D LED DLG-503T GREEN	(TUNING)

12. REC LED P.C BOARD

Ref. No.	Part No.	Description	Notes
D431	ED-728690K	D LED DLR-1503D RED	(REC)

13. POWER SW P.C BOARD

Ref. No.	Part No.	Description	Notes
S801	*ES-728706K	SW PUSH SDL-1P	(POWER SW)

14. TUNER P.C BOARD

Ref. No.	Part No.	Description	Notes
C001	EC-728091K	C S-FIX H 15P	
C002	EC-728091K	C S-FIX H 15P	
C003	EC-728092K	C S-FIX H 30P	(B,E)
D002	ED-728691K	D VARACTOR 1SV101	
D003	ED-728691K	D VARACTOR 1SV101	
D004	ED-624903	D SILICON H 1S2473	
D101	ED-728692K	D VARACTOR 1SV149-A	
D102	ED-728692K	D VARACTOR 1SV149-A	(B,E)
D103	ED-728692K	D VARACTOR 1SV149-A	
D104	ED-728692K	D VARACTOR 1SV149-A	(B,E)
D203	ED-624903	D SILICON H 1S2473	
D204	ED-624903	D SILICON H 1S2473	
D301	ED-624903	D SILICON H 1S2473	
D302	ED-624903	D SILICON H 1S2473	
D303	ED-624903	D SILICON H 1S2473	
D304	ED-624903	D SILICON H 1S2473	(B,E)
D305	ED-624903	D SILICON H 1S2473	
D306	ED-624903	D SILICON H 1S2473	
D307	ED-624903	D SILICON H 1S2473	
D308	ED-624903	D SILICON H 1S2473	
D312	ED-624903	D SILICON H 1S2473	
D313	ED-624903	D SILICON H 1S2473	
D314	ED-624903	D SILICON H 1S2473	(B,E)
D315	ED-624903	D SILICON H 1S2473	
D316	ED-624903	D SILICON H 1S2473	
D317	ED-624903	D SILICON H 1S2473	
D318	ED-384543J	D ZENER H 05AZ6.2-Z	
D319	ED-384550J	D ZENER H 05AZ7.5-Z	
D320	ED-624903	D SILICON H 1S2473	
D321	ED-624903	D SILICON H 1S2473	(B,E)
D322	ED-624903	D SILICON H 1S2473	
D323	ED-624903	D SILICON H 1S2473	(B,E)
IC001	EI-713319	IC TA7358AP	
IC101	EI-728678K	IC TA7758P	

Ref. No.	Part No.	Description	Notes
IC201	EI-359683	IC TA7343AP	
IC301	EI-728679K	IC TC9302AF-008-BS	
IC302	EI-363289	IC TC9172P	
L001	EO-728727K	COIL FM RF AFR-022	
L002	EO-728726K	COIL FM OSC AFO-016	
L003	EO-728728K	COIL CHOKE 2R2K	
L101	EO-728728K	COIL CHOKE 2R2K	
L431	EO-728729K	COIL 16MH	
L432	EO-728729K	COIL 16MH	
L433	EO-728730K	COIL 85KHZ 191011	
Q001	ET-728674K	TR KTC1923 O	
Q101	ET-363326	TR FET 2SK161 GR	
Q102	ET-728746K	TR KTC1815 GR	(B,E)
Q103	ET-728746K	TR KTC1815 GR	
Q104	ET-728675K	TR KTC2878 Y	
Q105	ET-728675K	TR KTC2878 Y	(B,E)
Q201	ET-728746K	TR KTC1815 GR	
Q202	ET-728746K	TR KTC1815 GR	
Q203	ET-728750K	TR KTA1015 GR	
Q301	ET-728746K	TR KTC1815 GR	
Q302	ET-728746K	TR KTC1815 GR	
Q303	ET-728746K	TR KTC1815 GR	
Q304	ET-728746K	TR KTC1815 GR	
Q305	ET-728746K	TR KTC1815 GR	(B,E)
Q306	ET-728746K	TR KTC1815 GR	
Q308	ET-726419K	TR KTC2120 Y	
SW	ES-728702K	SW PUSH R2100454	(MO/ST, BEAT CUT)
SVR203	EV-702569	R S-FIX H TT24R 103	
T001	EO-728723K	COIL FM IF AFA-004	
T101	EO-728721K	COIL AM IF AAA-010	
T102	EO-728724K	COIL FM IF AFD-006	
T103	EO-728722K	COIL AM DET AAD-003	
T104	EO-728718K	COIL OSC MW AAO-019	
T105	EO-728719K	COIL OSC LW AAO-020	(B,E)
T106	EO-728715K	COIL MW ANT AAT-035	
T107	EO-728716K	COIL LW ANT AAT-030	(B,E)
T108	EO-728725K	COIL LPF AFL-002	
Z001	EH-728714K	FILTER BPF BPMB6A	
Z101	EH-355568	FILTER CE SFE10.7MS2G-A	
Z102	EH-355568	FILTER CE SFE10.7MS2G-A	
Z103	EH-344435	FILTER CE SFU450B9	
		0.450MHZ	
Z302	EI-344422	OSC X'TAL HC-18/U	
		7.200MHZ	
Z303	EM-728693K	IND LCD HDL-7109-	
		5A2POQSA	
LAMP	EM-728698K	PL PL-12CLR110T	

15. POWER SUPPLY P.C BOARD

Ref. No.	Part No.	Description	Notes
D640	ED-624903	D SILICON H 1S2473	
D640-1	ED-624903	D SILICON H 1S2473	
D801	*ED-728687K	D SILICON H RL-203	
D802	*ED-728687K	D SILICON H RL-203	
D803	*ED-728687K	D SILICON H RL-203	
D804	*ED-728687K	D SILICON H RL-203	
D805	*ED-511907	D SILICON 1N4002	
		100/1.0A	
D806	*ED-511907	D SILICON 1N4002	
		100/1.0A	
D807	*ED-511907	D SILICON 1N4002	
		100/1.0A	
D808	*ED-511907	D SILICON 1N4002	
		100/1.0A	
D809	*ED-511907	D SILICON 1N4002	
		100/1.0A	
D810	*ED-511907	D SILICON 1N4002	
		100/1.0A	
D811	*ED-511907	D SILICON 1N4002	
		100/1.0A	
D812	*ED-511907	D SILICON 1N4002	
		100/1.0A	
D813	ED-362911	D ZENER H 05AZ13-Y	

**For Service Manuals Contact
MAURITRON TECHNICAL SERVICES
8 Cherry Tree Rd, Chinnor
Oxon OX9 4QY
Tel:- 01844-351694 Fax:- 01844-352554
Email:- enquiries@mauritron.co.uk**

Ref. No.	Part No.	Description	Notes	Ref. No.	Part No.	Description	Notes
D814	ED-302311	D ZENER H 05AZ13 Y	(B)	D202	ED-307572	D SILICON H 1SS131	
D815	ED-624903	D SILICON H 1S2473		D203	ED-311852	D SILICON H 1S2471	
D816	ED-624903	D SILICON H 1S2473		D204	ED-307572	D SILICON H 1SS131	
D817	ED-511907	IC STK4132.2		D205	ED-307572	D SILICON H 1SS131	
IC601	ET-728680K	TR KTA1015 Y		D206	ED-307572	D SILICON H 1SS131	
Q605	ET-725885K	TR KTA1015 Y		D208	ED-307572	D SILICON H 1SS131	
Q607	ET-725885K	TR KTA1015 Y		D209	ED-307572	D SILICON H 1SS131	
Q609	ET-725885K	TR KTA1015 Y		D210	ED-307572	D SILICON H 1SS131	
Q611	ET-725885K	TR KTA1015 Y		D211	ED-307572	D SILICON H 1SS131	
Q802	ET-725885K	TR KTA1015 Y	(B)	D212	ED-307572	D SILICON H 1SS131	
Q803	ET-725885K	TR KTA1015 Y		D213	ED-307572	D SILICON H 1SS131	
Q804	ET-726419K	TR KTA1015 Y		D214	ED-311852	D SILICON H 1S2471	
Q805	ET-726419K	TR KTA1015 Y		D216	ED-307572	D SILICON H 1SS131	
Q806	ET-726676K	TR KTA1015 Y		D217	ED-307572	D SILICON H 1SS131	
Q807	ET-726676K	TR KTA1015 Y		D220	ED-728751K	D ZENER H 1M727.68	
Q808	ET-726676K	TR KTA1015 Y	(B)	D231	ED-307572	D SILICON H 1SS131	
Q809	ET-726676K	TR KTA1015 Y		D232	ED-307572	D SILICON H 1SS131	
Q810	ET-726676K	TR KTA1015 Y		D233	ED-307572	D SILICON H 1SS131	
Q811	ET-726676K	TR KTA1015 Y		IC201	EL-728740K	IC LA9200NM	
R803	ER-728897K	KTD 1406Y		IC202	EL-728740K	IC LC7868N	
		R OMF H 3W 330		IC204	EL-748743K	IC FA5205P	
				IC205	EL-362251J	IC LC3517BS-15	
				IC206	EL-728744K	IC M50930-440F3N	
				IC207	EL-728746K	IC LA6462S	
				IC208	EL-728745K	IC LA6462S	
				IC211	EL-367185	IC TA781006AP	
				IC212	EL-333695	IC NJM78L05A	
				IC213	EL-367196	IC TA781006P	
				L201	EH-728764K	FILTER FTZ	
				L202	EH-728764K	FILTER FTZ	
				L203	EH-728764K	FILTER FTZ	
				LAMP	EM-728765K	PL 15W 110MA	
				LCD	EM-728767K	IND LCD FD6793	
				P202	EV-728756K	R S-FIX H RH0615C 104	(FOCUS GAIN) (E/F BALANCE)
				P203	EV-728757K	R S-FIX H RH0615C 104	(TRACKING GAIN)
				P204	EV-728758K	R S-FIX H RH0615C 203	(TRACKING OFF-SET)
				P205	EV-728758K	R S-FIX H RH0615C 203	(KICK GAIN)
				P206	EV-728757K	R S-FIX H RH0615C 104	(FOCUS GAIN) (E/F BALANCE)
				Q201	ET-728746K	TR KTC1815 GR	
				Q202	ET-728747K	TR 2SD1227-M	
				Q203	ET-748748K	TR KSR1003	
				Q204	ET-728749K	TR KSR1003	
				Q205	ET-347961	TR 2SD1012-V G F05	
				Q206	ET-728749K	TR KSR1003	
				Q207	ET-728749K	TR KSR1003	
				Q208	ET-728749K	TR KSR1003	
				Q209	ET-347961	TR 2SD1012-V G F05	
				Q210	ET-347961	TR 2SD1012-V G F05	
				Q211	ET-347961	TR 2SD1012-V G F05	
				Q212	ET-347961	TR 2SD1012-V G F05	
				Q213	ET-728749K	TR KTC1815 GR	
				Q214	ET-728749K	TR KTA1015 GR	
				Q215	ET-728750K	TR KTA1015 GR	
				Q216	ET-728750K	TR KTA1015 GR	
				Q221	ET-728749K	TR KSR1003	
				Q224	ET-372030	TR DTA1444F	
				Q230	ET-728749K	TR KSR1003	
				R8201	EH-728754K	R COMP RS103	
				R304	*ER-728752K	R FUSE 1/4W 100J	
				R305	*ER-728753K	R FUSE 1/2W 100J	
				R306	*ER-728753K	R FUSE 1/4W 100J	
				R307	*ER-728753K	R FUSE 1/4W 100J	
				R308	*ER-728753K	R FUSE 1/2W 100J	
				R309	*ER-728753K	R FUSE 1/2W 100J	
				SW1	ES-728766K	SW TACT SKHPE15912	(OPEN/CLOSE)
				SW2	ES-728766K	SW TACT SKHPE15912	(STOP)
				SW3	ES-728766K	SW TACT SKHPE15912	(PAUSE)

16. REC/PB SW P.C BOARD

Ref. No.	Part No.	Description	Notes
Q450	ET-728673K	TR KTA1015 Y	
Q450-1	ET-725885K	TR KTC1815 Y	
Q450-2	ET-725885K	TR KTC1815 Y	
Q450-3	ET-725885K	TR KTC1815 Y	
SW403	ES-728705K	SW SLIDE T00620006	(REC/PB SW)

17. TAPE SW P.C BOARD

Ref. No.	Part No.	Description	Notes
SENSOR	EL-363630J	IC BX 1407	
S401	ES-728704K	SW SLIDE 004200148	(TAPE SELECTOR)
S402	ES-728703K	SW SLIDE 004300148	(DUBBING)

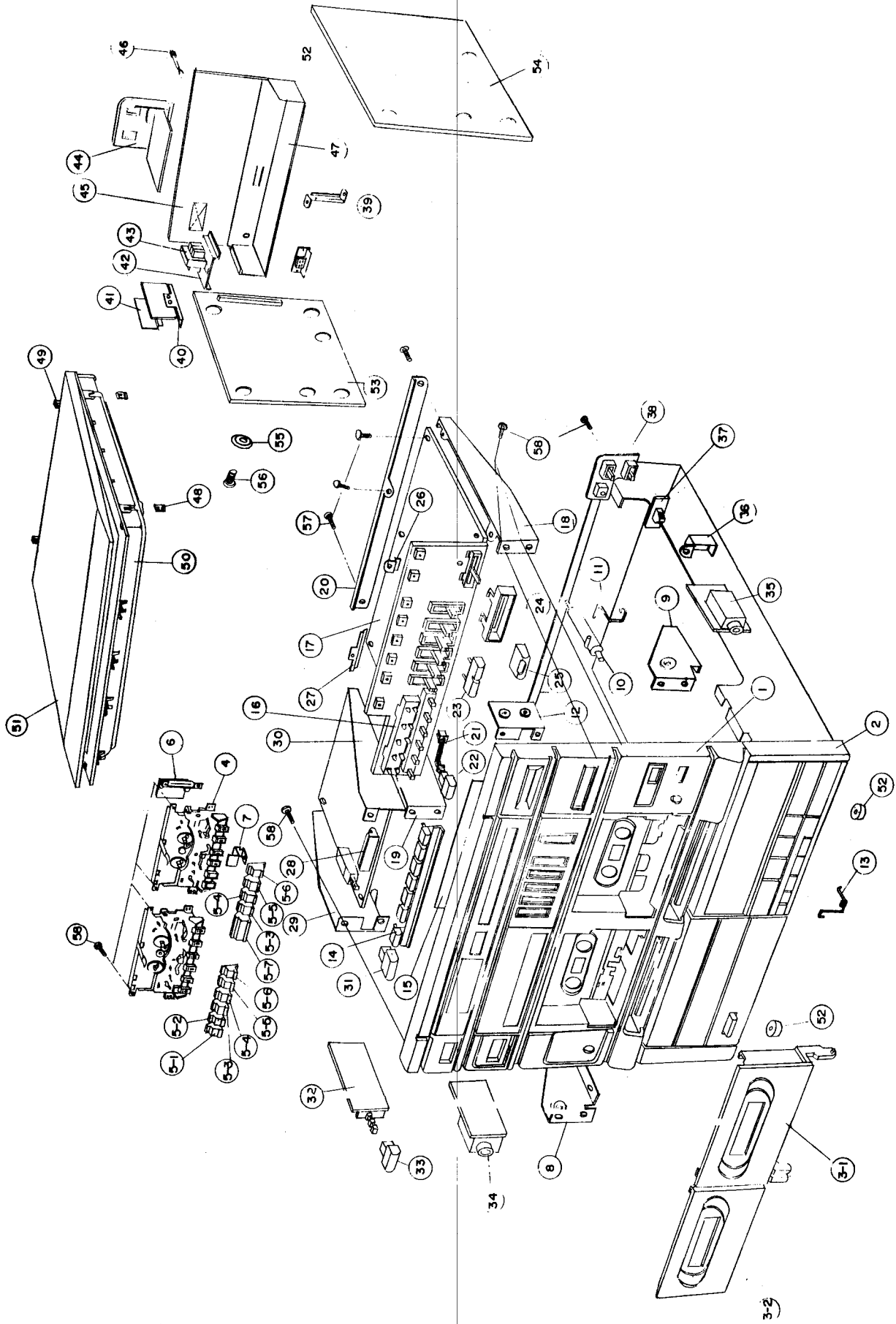
18. RX P.C BOARD (E S ONLY)

Ref. No.	Part No.	Description	Notes
CSB	EL376113	OSC CE CSB455EB	
D201	ED-624903	D SILICON H 1S2473	
D204	ED-624903	D SILICON H 1S2473	
IC201	ET-729262K	IC KA2107	
IC202	ET-729263K	IC UPD1837C	
Q203	ET-725885K	TR KTC1815 Y	
Q204	ET-728673K	TR KTA1015 Y	
Q205	ET-728673K	TR KTA1015 Y	
Q206	ET-728419K	TR KTA1015 Y	
Q207	ET-728673K	TR KTA1015 Y	
Q208	ET-725885K	TR KTC1815 Y	
Q209	ET-728673K	TR KTA1015 Y	
Q210	ET-728673K	TR KTA1015 Y	
Q212	ET-725885K	TR KTC1815 Y	
Q213	ET-726419K	TR KTC1815 Y	
Q214	ET-726419K	TR KTC1815 Y	
ZD201	ED-306433J	D ZENER H 05AZ5.1-Y	
R215	*ER-308896	R FUSE 1/4W 250J	

19. CD P.C BOARD

Ref. No.	Part No.	Description	Notes
D201	ED-33682-A	D VARACTOR SVC211SPA, A,B,C,D,E	

ASSEMBLY BLOCK



Ref. No.	Part No.	Description	Notes
SW4	ES-728766K	SW TACT SKHHPPE-15912	(F. FWD)
SW5	ES-728766K	SW TACT SKHHPPE-15912	(F. BACK)
SW6	ES-728766K	SW TACT SKHHPPE-15912	(REPEAT)
SW7	ES-728766K	SW TACT SKHHPPE-15912	(MEMORY)
SW8	ES-728766K	SW TACT SKHHPPE-15912	(TIME)
SW9	ES-728766K	SW TACT SKHHPPE-15912	(SERCH/INDEX)
SW10	ES-728766K	SW TACT SKHHPPE-15912	(F. FWD)
SW11	ES-728766K	SW TACT SKHHPPE-15912	(F. BACK)
T201	EH-728765K	FILTER RF	(PLAY)
T202	EH-728765K	COIL OSC	
T203	EH-728765K	FILTER	
T204	EH-728765K	OSC X-TAL HC-49/	
X201	EI-728762K	U 8.6436MRHZ	
X202	EH-728763K	FILTER CE 4.32MRHZ	

20. ASSEMBLY BLOCK

Ref. No.	Part No.	Description	Notes
1A	SP-728623K	PANEL FRONT BLK	(B,E)
1B	SP-728628K	PANEL FRONT BLK	(S)
2	SP-728641K	PANEL FRONT CD	
3-1	SP-728625K	AC-M370/L	
3-2	SP-728624K	DOOR DECK-R ASSY	
4	BB-728695K	DOOR DECK-L ASSY	
5-1	SK-728632K	MECHA BLK TN-21SW-670	
5-2	SK-728100K	AC-M370	
5-3	SK-728101K	KNOB DECK REC	
5-4	SK-728102K	KNOB DECK PLAY S	
5-5	SK-728103K	KNOB DECK REW	
5-6	SK-728104K	KNOB DECK FF	
5-7	SK-728105K	KNOB DECK STOP/EJECT	
		KNOB DECK PAUSE	
		KNOB DECK PLAY-L	

Ref. No.	Part No.	Description	Notes
10	MZ-728635K	DAMPER ASSY	
13	ZS-728634K	SP	
14	SK-728629K	KNOB PRE-SET	
22	SK-728629K	KNOB FUNCTION	
23	SK-728627K	KNOB UP/DOWN	
25	SK-728628K	KNOB V/R	
31	SK-728630K	KNOB PUSH	
32	SK-728630K	KNOB V/R	
33	SK-728630K	KNOB PUSH	
37	SK-728631K	KNOB SELECTOR	
43A	*BT-728694K	TRANS POW A86-031X-V	(B)
43B	*BT-729257K	AC-M370(L)	(S)
43C	*BT-729258K	TRANS POW A86-031Z-B	(S)
46A	*EW-728713K	TRANS POW A86-031X-S	(E)
46B	*EW-729260K	AC-M370(E)	(B)
46C	*EW-729261K	AC CORD AC-M370(B)	(S)
49	TP-728106K	AC CORD AC-M370(S)	(S)
51	BC-728633K	HINGE ASSY	(E)
52	SA-728636K	DUST COVER AC-M370/L	
53	SP-728107K	FOOT	
54	SP-728108K	COVER SIDE L	
55	ZW-728109K	COVER SIDE R	
56	ZS-728110K	WASHER	
59	SP-728642K	T3 8D40 x 10	
60	EJ-728711K	PANEL TRAY AC-M370L	
61	*EF-286344	SPEAKER TERMINAL	
		FUSE SEMKO T	
		250V 800MA	

21 ACCESSORY

Ref. No.	Part No.	Description	Notes
1A	AX-728686K	REMOTO CONTROL UNIT	(B)
1B	AX-729259K	RC-S370	(E,S)
2	AX-728694K	REMOTO CONT. UNIT	
3	AX-728695K	RC-S370(E,S)	
		ANTENNA FM	
		ANTENNA AM LOOP	

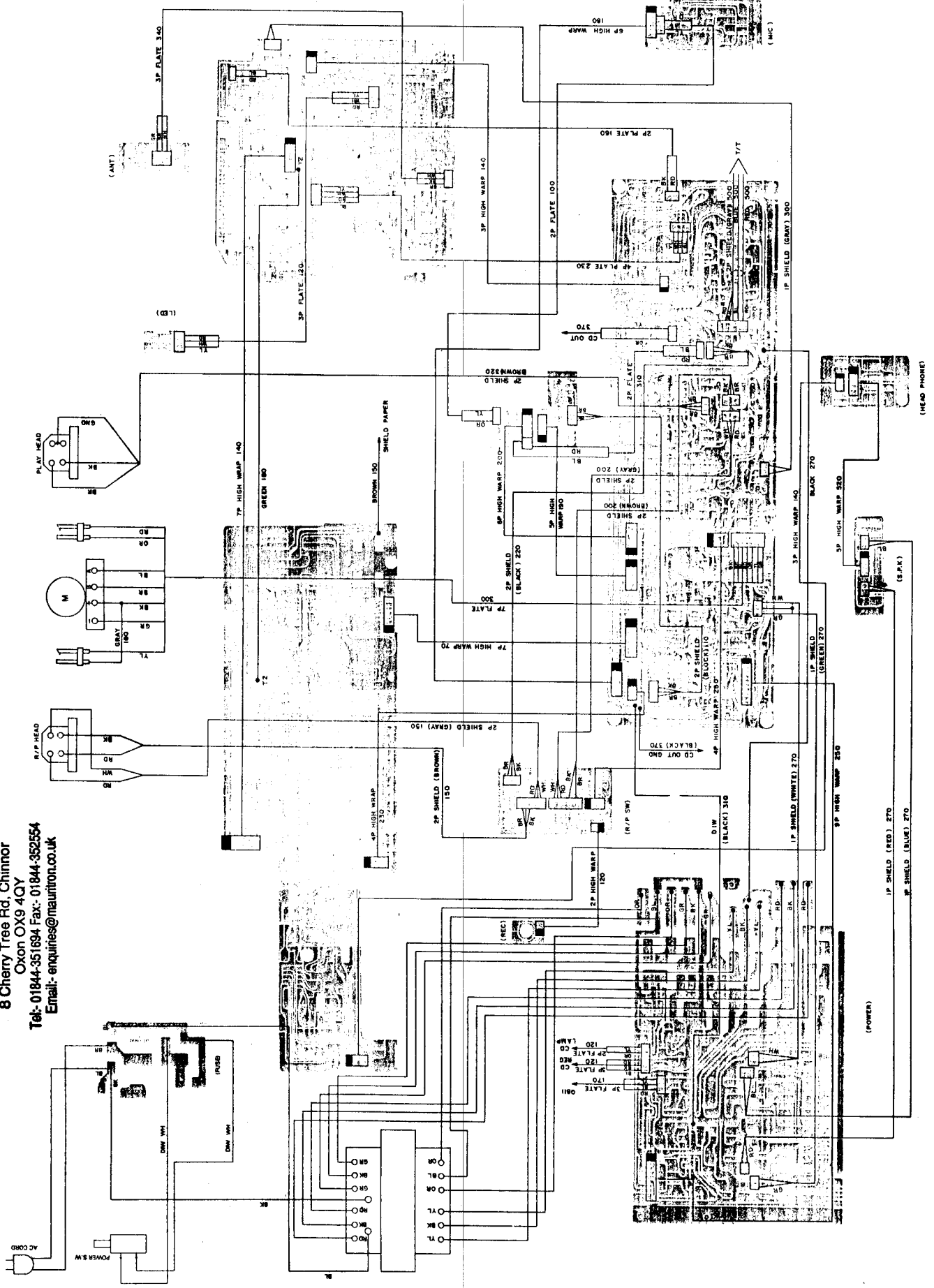
NOTE:

Parts will not be supplied if they are not listed in the parts list, even if they appear on the assembling illustrations with reference No.

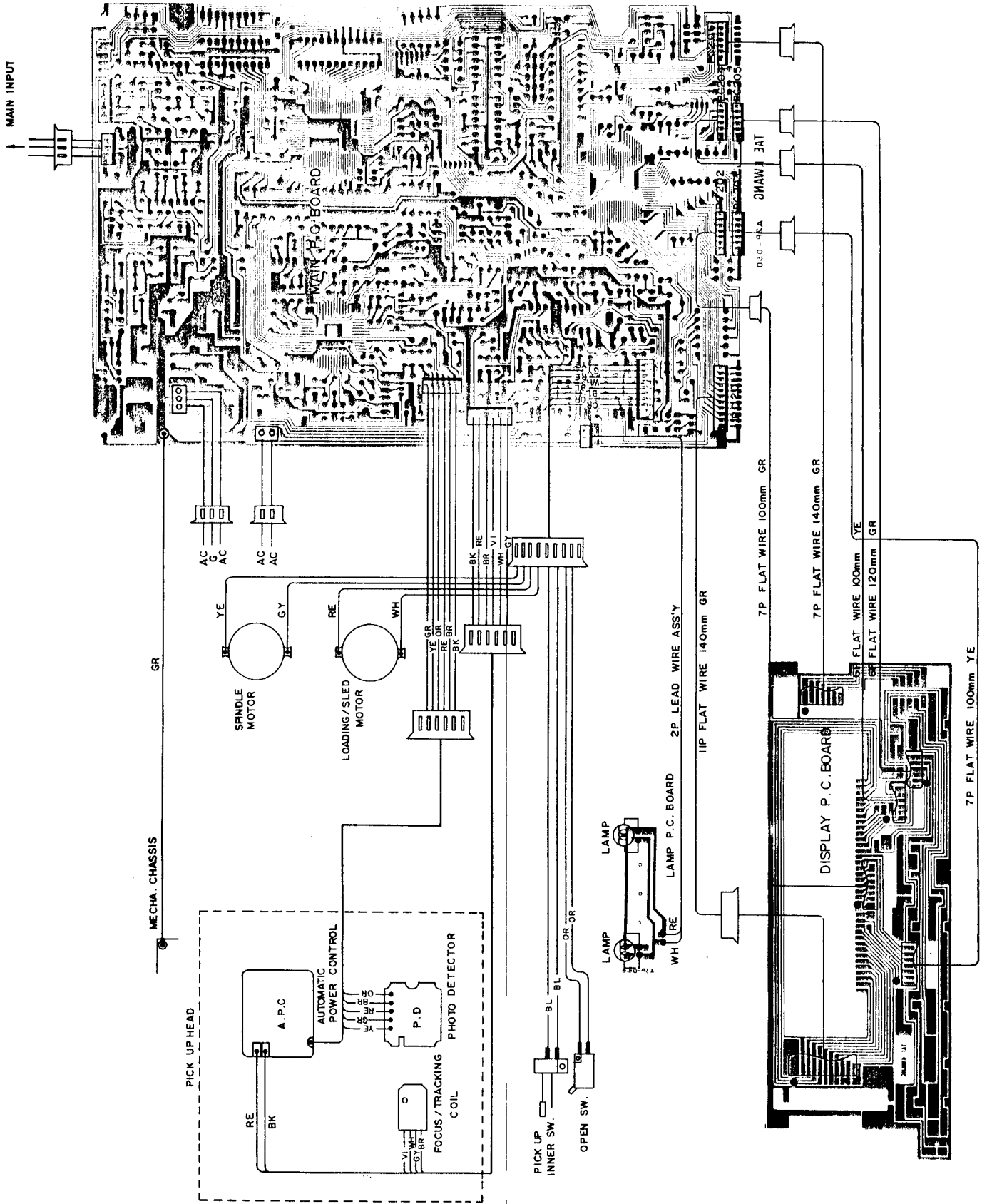
For Service Manuals Contact
MAURITRON TECHNICAL SERVICES
 8 Cherry Tree Rd, Chinnor
 Oxon OX9 4QY
 Tel: 01844-351694 Fax: 01844-352554
 Email: enquires@maurtron.co.uk

WIRING DIAGRAM (MAIN)

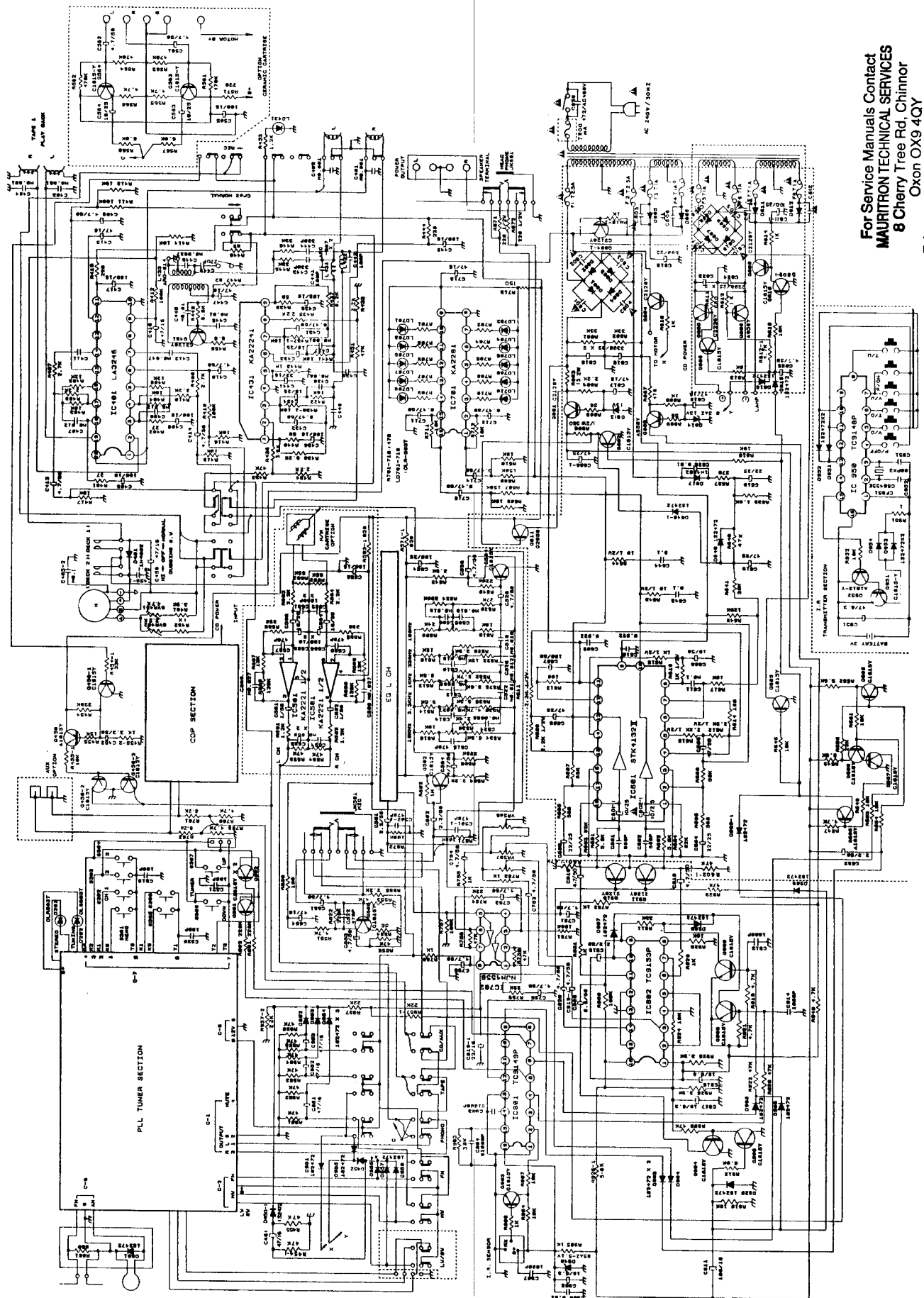
For Service Manuals Contact
MAURITRON TECHNICAL SERVICES
 8 Cherry Tree Rd, Chinnor
 Oxon OX9 4QY
 Tel: 01844-351694 Fax: 01844-352554
 Email: enquires@mauritron.co.uk



WIRING DIAGRAM (CDP)

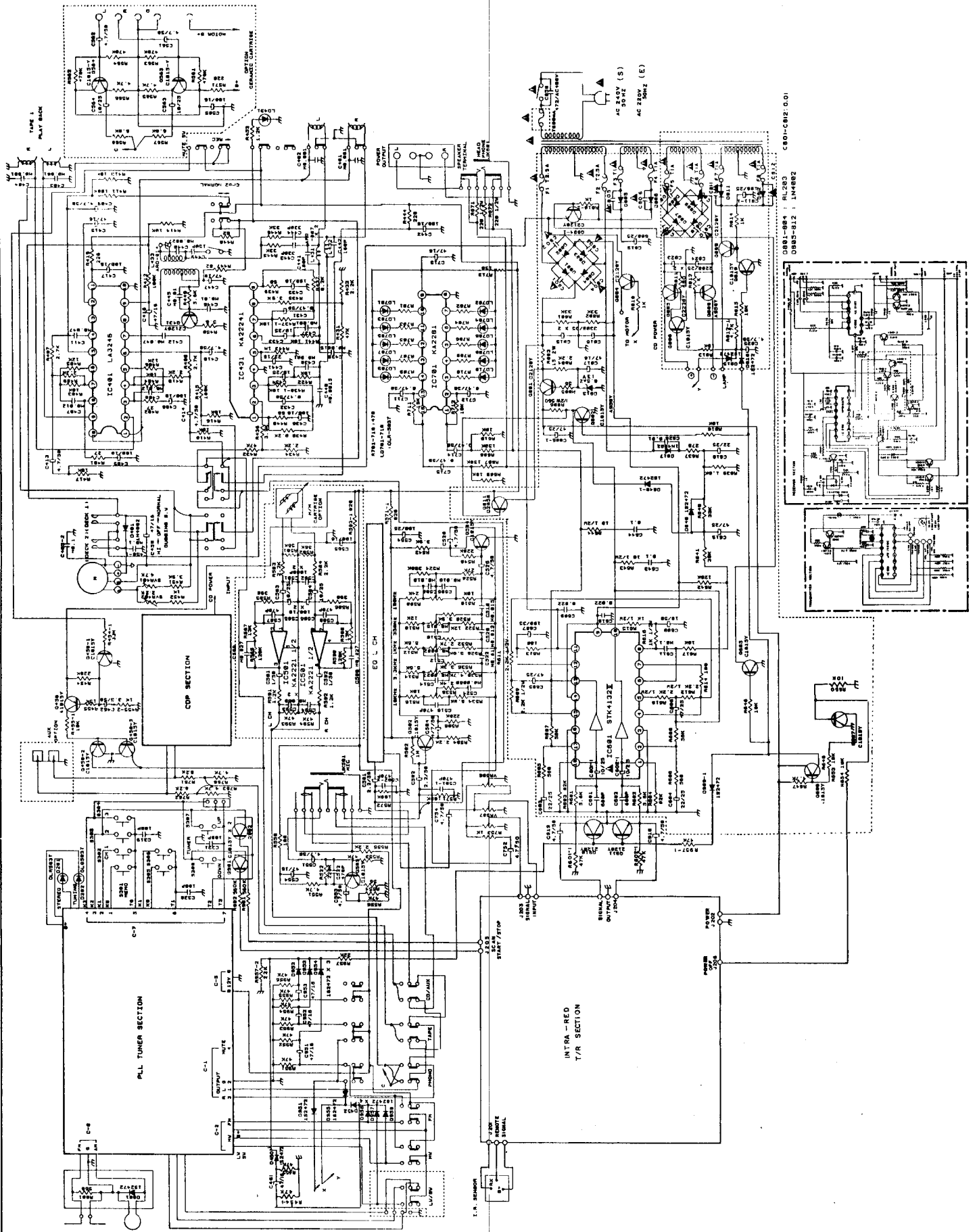


SCHEMATIC DIAGRAM (MAIN) B



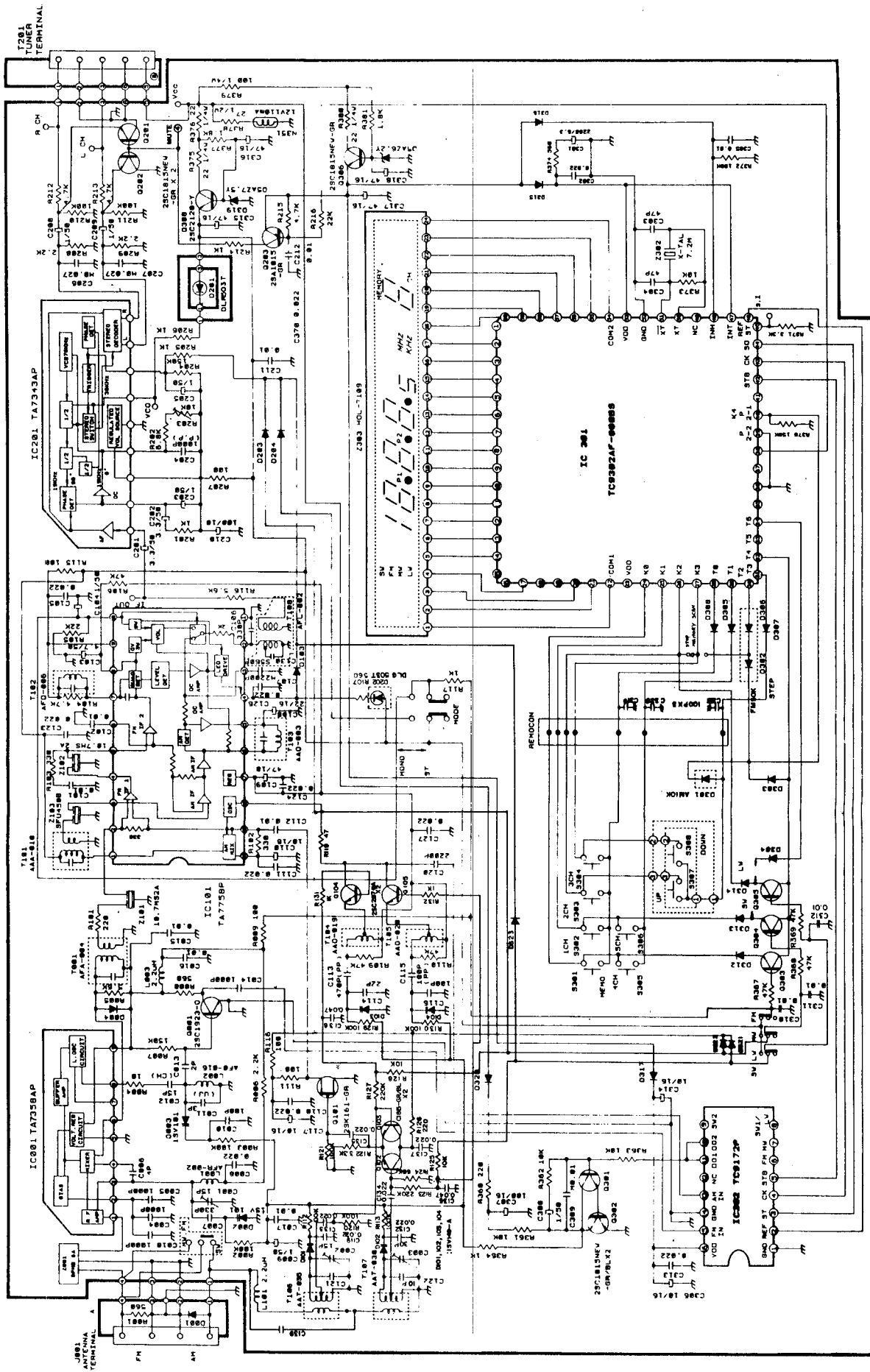
For Service Manuals Contact
MAURITRON TECHNICAL SERVICES
8 Cherry Tree Rd, Chinnor
Oxon OX9 4QY
Tel: 01844-351694 Fax: 01844-352554
Email: enquiries@mauritron.co.uk

S C H E M A T I C D I A G R A M (M A I N) E S



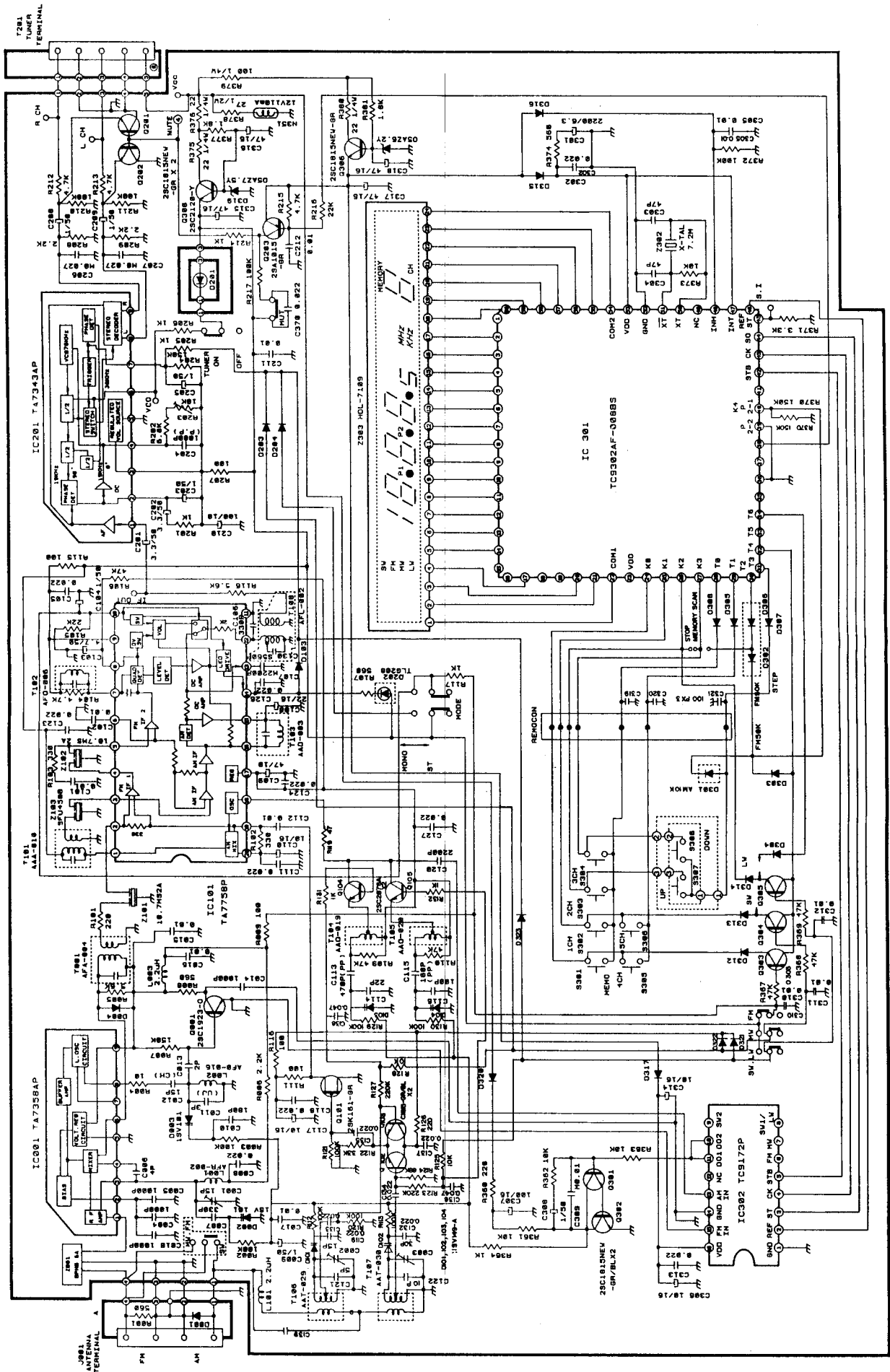
6801-6802 0-01
0885-812 : JN4882

SCHEMATIC DIAGRAM (TUNER) B E

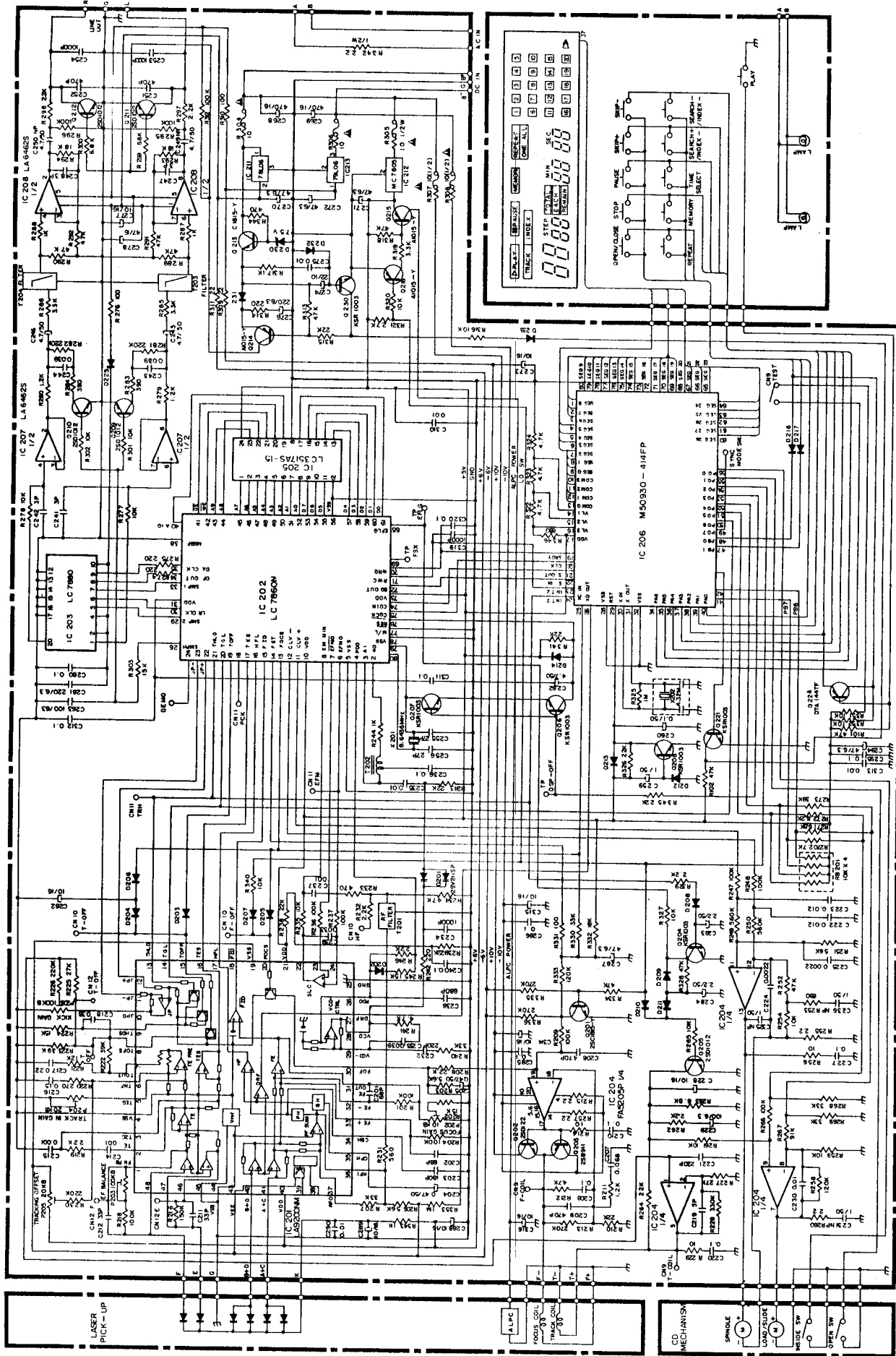


For Service Manuals Contact
 MAURITRON TECHNICAL SERVICES
 8 Cherry Tree Rd, Chinnor
 Oxon OX9 4QY
 Tel: 01844-351894 Fax: 01844-352554
 Email: enquiries@mauritron.co.uk

SCHEMATIC DIAGRAM (TUNER) S

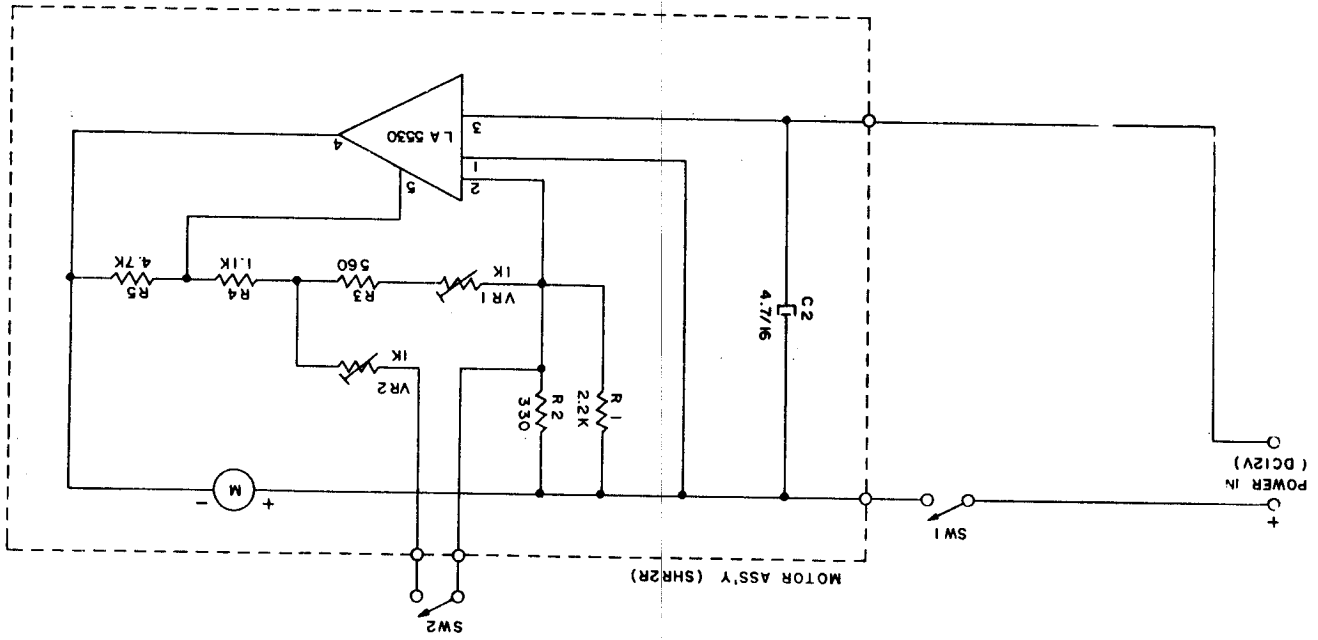


SCHEMATIC DIAGRAM (CDP)



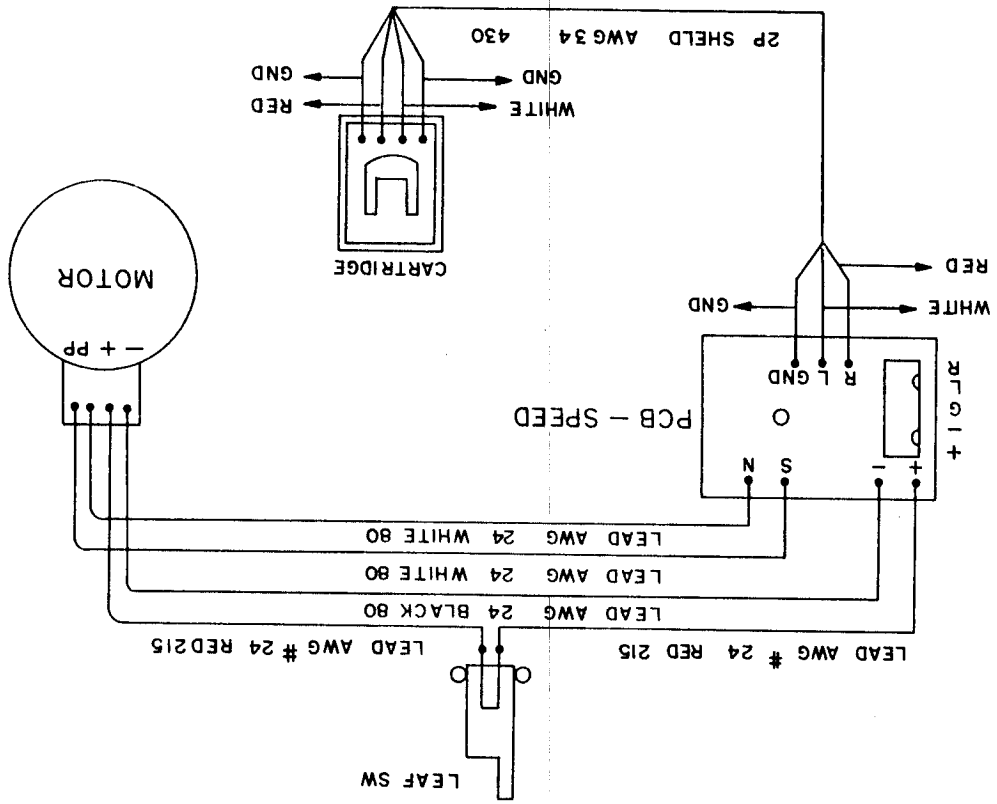
For Service Manuals Contact
MAURITRON TECHNICAL SERVICES
 8 Cherry Tree Rd, Chinnor
 Oxon OX9 4QY
 Tel: 01844-351694 Fax: 01844-352554
 Email: enquiries@mauritron.co.uk

SCHEMATIC DIAGRAM (TURN TABLE)

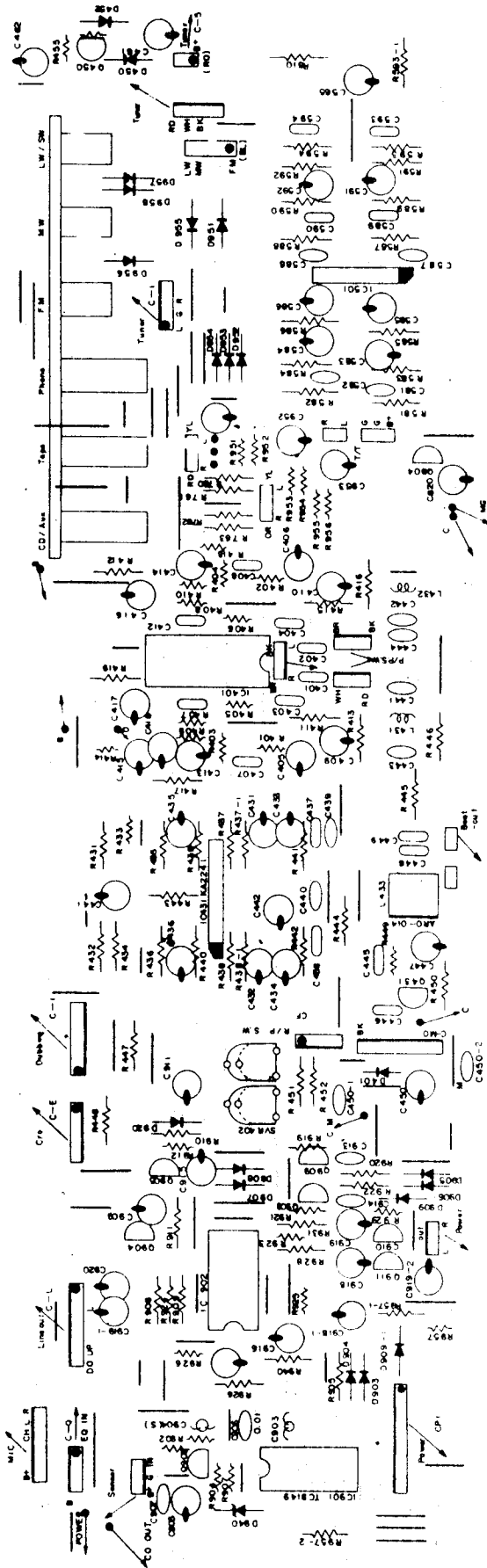


1: LEAF SW. POWER ON/OFF

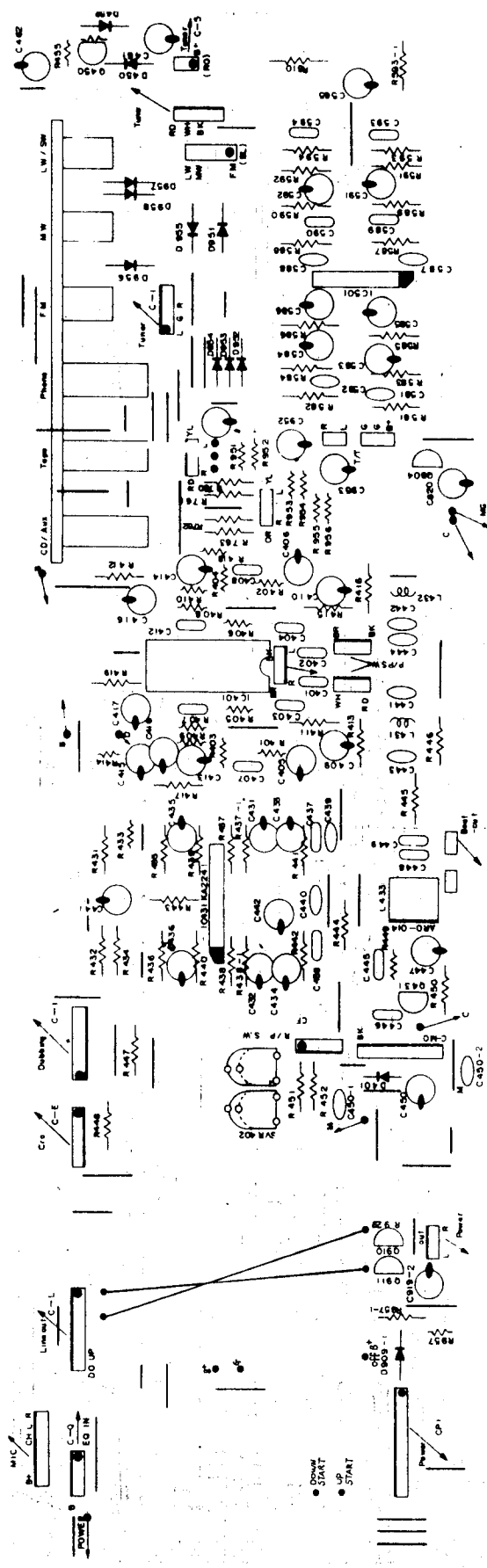
2: SLIDE SW. ON-45RPM OFF-33 1/3RPM



(MAIN PCB) B



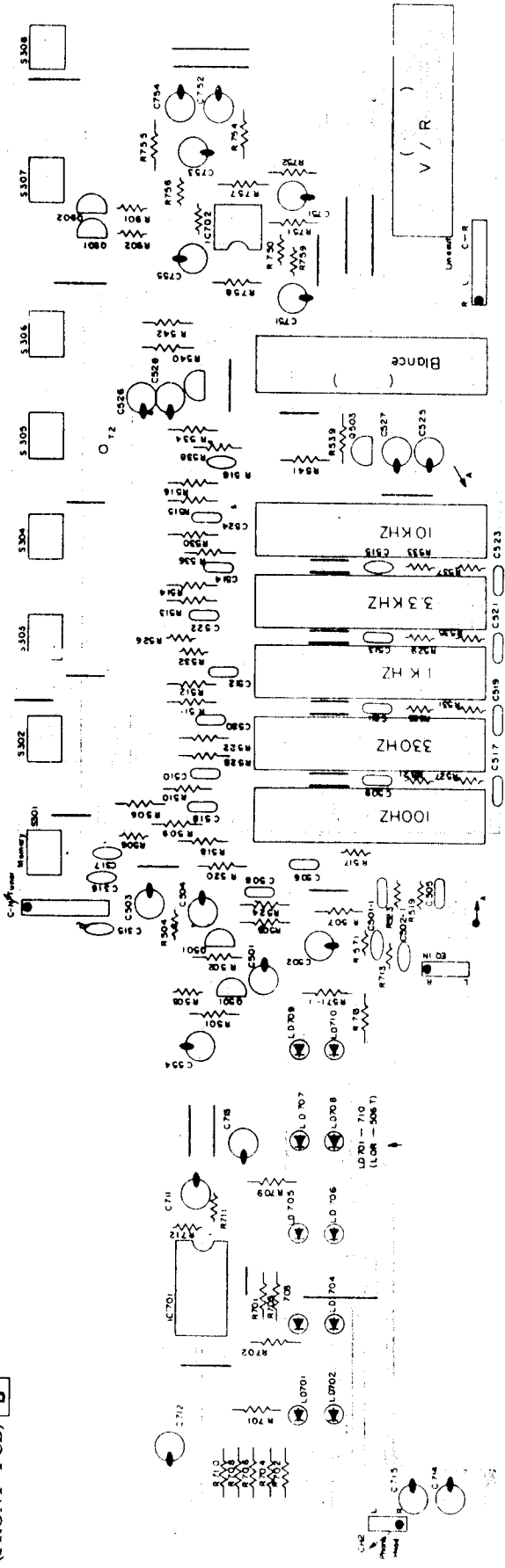
(MAIN PCB) E S



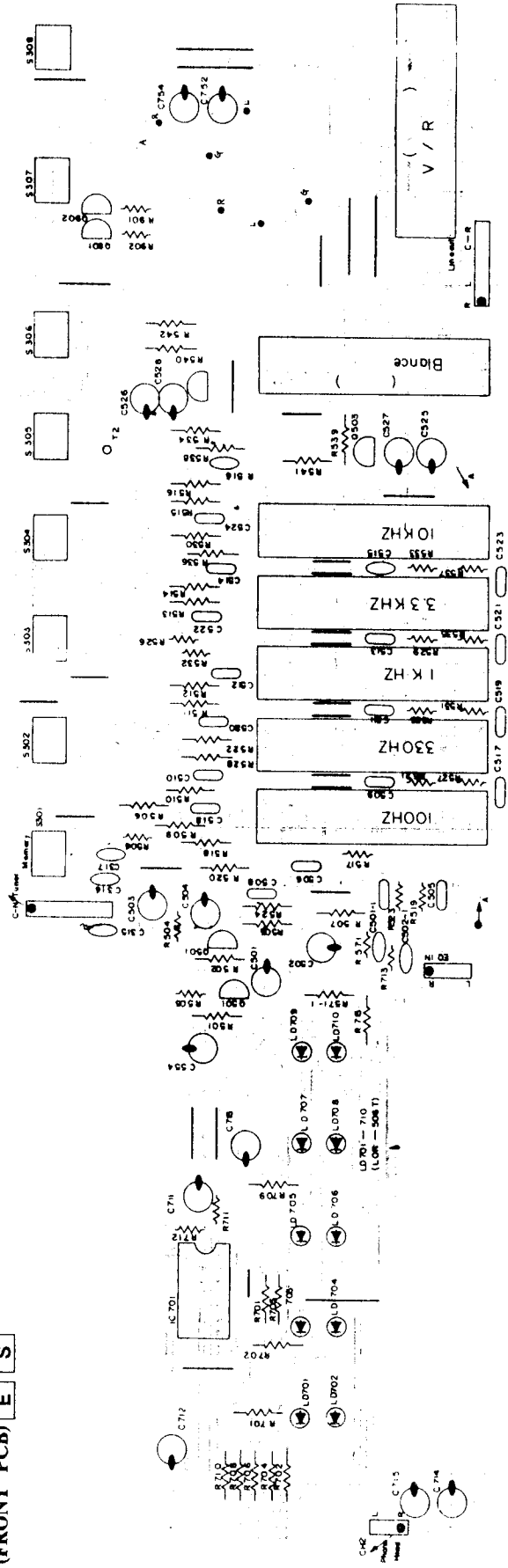
For Service Manuals Contact
MAURITRON TECHNICAL SERVICES
 8 Cherry Tree Rd, Chinnor
 Oxon OX9 4QY
 Tel: 01844-351694 Fax: 01844-352554
 Email: enquiries@mauritron.co.uk

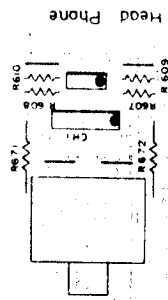
PCB LAYOUT

(FRONT PCB) B

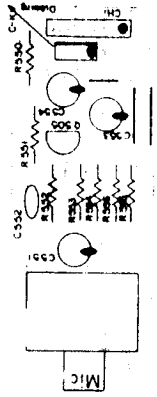


(FRONT PCB) E S



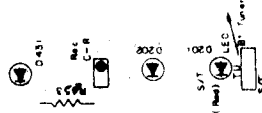


(HEAD PHONE PCB)

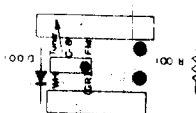


(MIC JACK PCB)

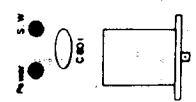
(REC LED PCB)



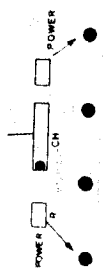
(LED PCB)



(ANT PCB)



(POWER SW PCB)

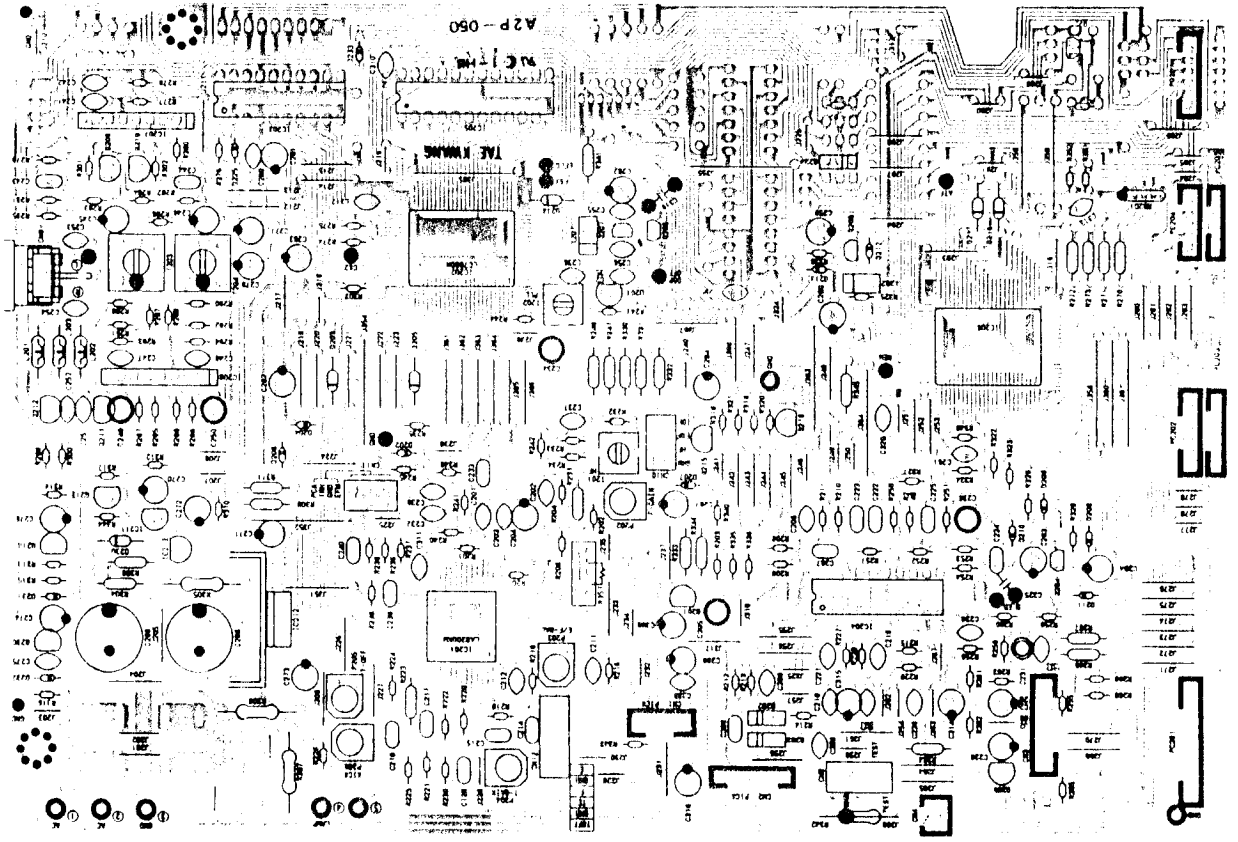


(SPEAKER TERMINAL PCB)

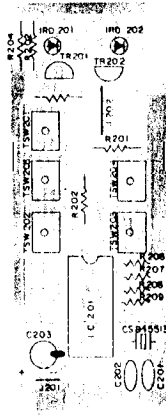
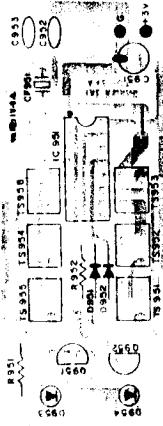
For Service Manuals Contact
MAURITRON TECHNICAL SERVICES
8 Cherry Tree Rd, Chinnor
Oxon OX9 4QY
Tel: 01844-351694 Fax: 01844-352554
Email: enquiries@mauratron.co.uk

PCB LAYOUT

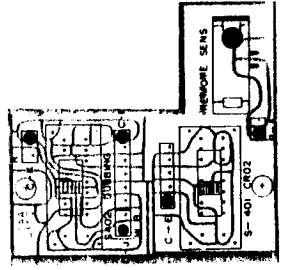
(CD PCB)



(TX)



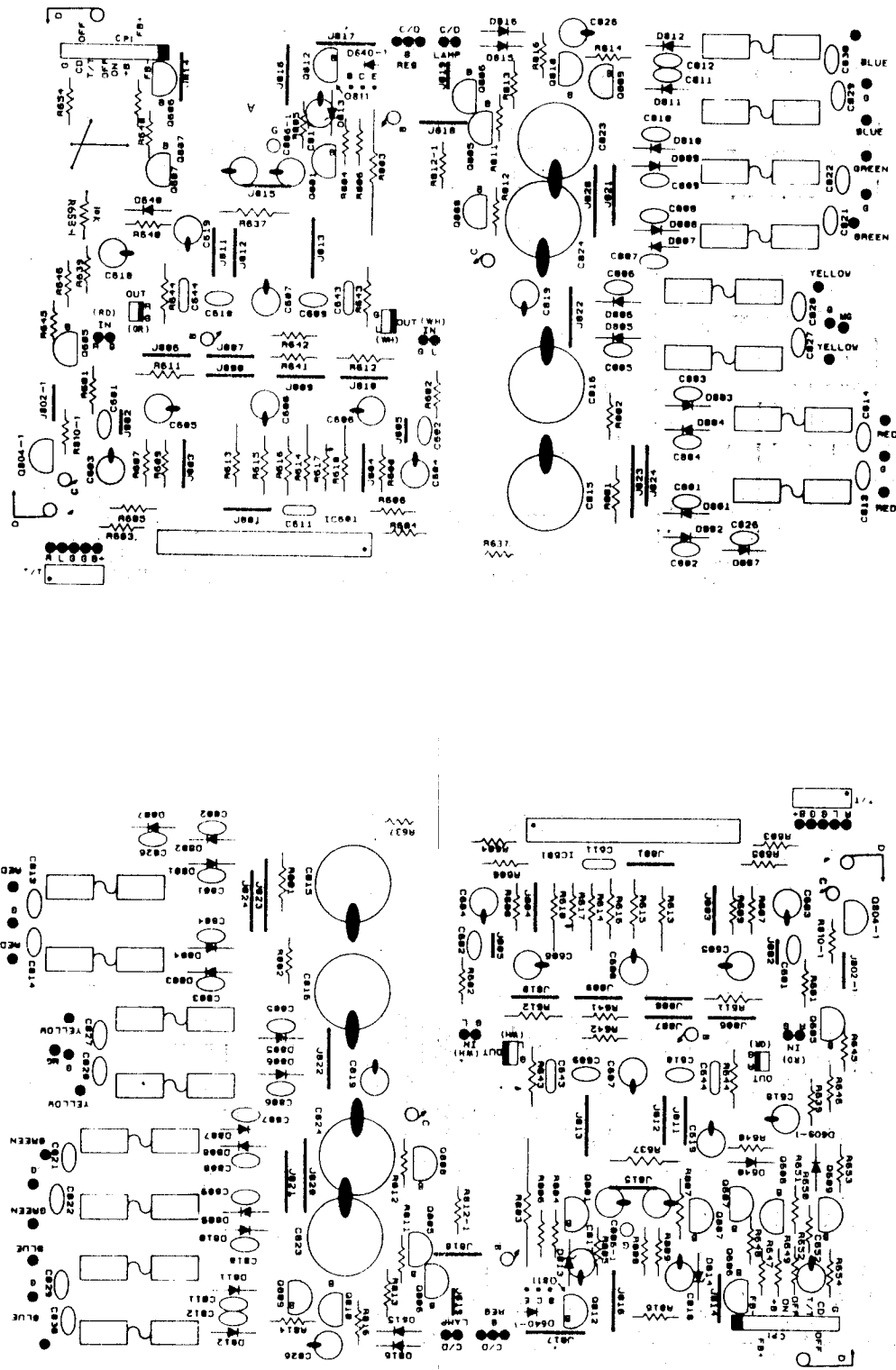
(TAPE SW PCB)



(POWER PCB)

B

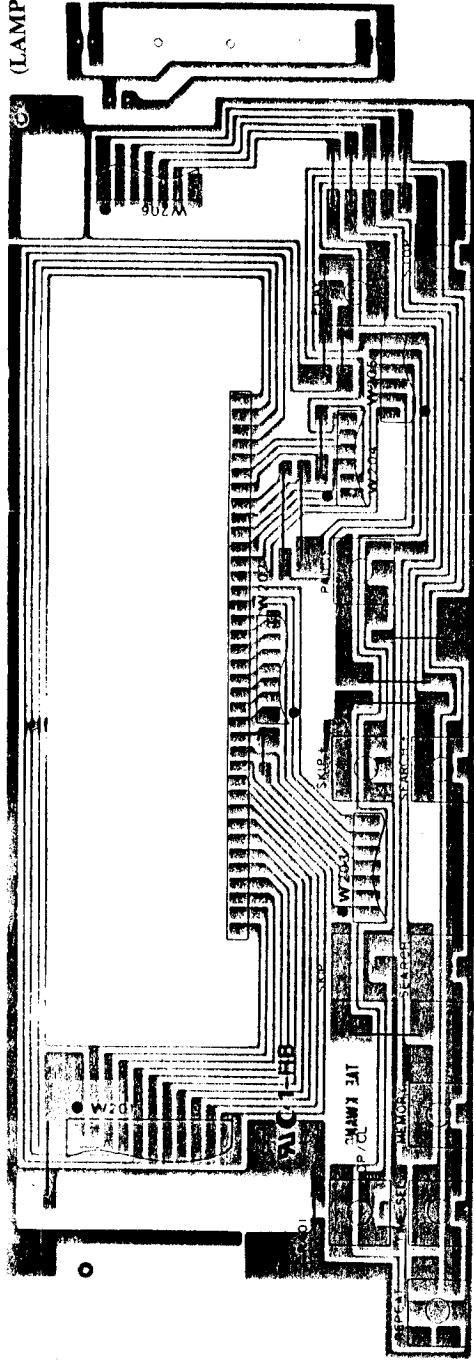
E S



For Service Manuals Contact
MAURITRON TECHNICAL SERVICES
8 Cherry Tree Rd, Chinnor
Oxon OX9 4QY
Tel: 01844-351694 Fax: 01844-352554
Email: enquiries@mauritron.co.uk

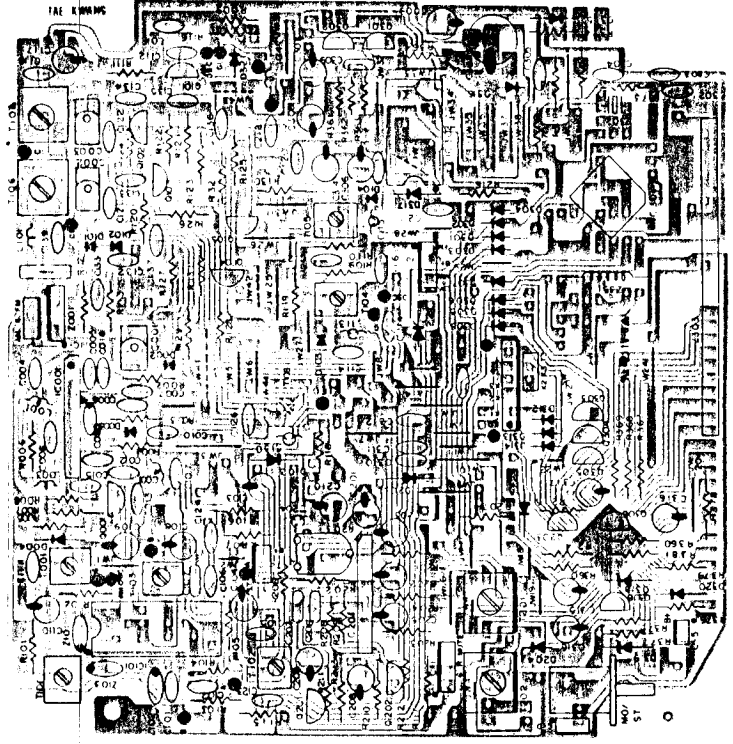
PCB LAYOUT

(CDP DISPLAY PART)



(LAMP PART)

(TUNER PCB)



(REC/PB SW PCB)

