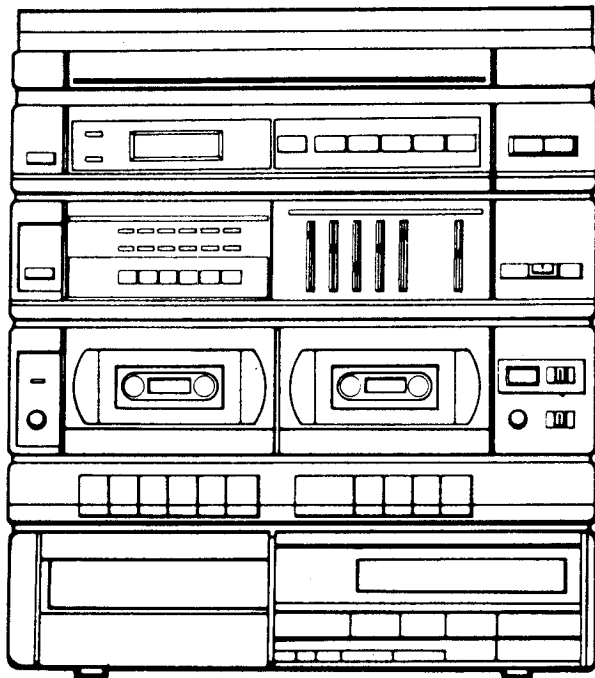


# AKAI SERVICE MANUAL



COMPACT  
disc  
DIGITAL AUDIO

MODEL: AC-M370/L

MIDI COMPONENT STEREO SYSTEM

MODEL **AC-M370/L**

MODEL **AC-M370**

SIMILAR ACM 373

## CONTENTS

|  |    |
|--|----|
| SAFETY INSTRUCTIONS .....  | 2  |
| INFORMATION .....  | 2  |
| I. SPECIFICATIONS .....  | 4  |
| II. CONTROLS .....   | 5  |
| III. ADJUSTMENT  |    |
| TAPE SPEED ADJUSTMENT .....  | 8  |
| TURN TABLE SPEED ADJUSTMENT .....  | 8  |
| TUNER ADJUSTMENT .....   | 9  |
| DISASSEMBLY PROCEDURES FOR CDP SECTION .   | 11 |
| CD SECTION .....   | 12 |
| IV. PARTS LIST   |    |
| RECOMMENDED SPARE PARTS .....  | 14 |
| TURN TABLE BLOCK .....   | 15 |
| CASSETTE MECHA BLOCK .....   | 17 |
| CD MECHA BLOCK .....   | 19 |
| ASSEMBLY BLOCK .....   | 23 |
| BLOCK DIAGRAM .....  | 25 |
| WIRING DIAGRAM (MAIN) .....  | 26 |
| WIRING DIAGRAM (CDP) .....   | 27 |
| SCHEMATIC DIAGRAM (MAIN) B .....   | 28 |
| SCHEMATIC DIAGRAM (MAIN) E S .....   | 29 |
| SCHEMATIC DIAGRAM (TUNER) B E .....  | 30 |
| SCHEMATIC DIAGRAM (TUNER) S .....  | 31 |
| SCHEMATIC DIAGRAM (CDP) .....  | 32 |
| SCHEMATIC DIAGRAM (TURNTABLE) .....  | 33 |
| PCB LAYOUT (MAIN) B .....  | 34 |
| PCB LAYOUT (MAIN) E S .....  | 34 |
| PCB LAYOUT (FRONT) B .....   | 35 |
| PCB LAYOUT (FRONT) E S .....   | 35 |
| PCB LAYOUT (HEAD PHONE, MIC JACK, SPEAKER<br>TERMINAL, REC LED, LED, ANT,<br>POWER SW) ..... | 36 |
| PCB LAYOUT (CD, TX, TAPE SW) .....   | 37 |
| PCB LAYOUT (POWER) B .....   | 38 |
| PCB LAYOUT (POWER) E S .....   | 38 |
| PCB LAYOUT (CDP, DISPLAY, LAMP, REC/PB SW,<br>TUNER) .....                                   | 39 |

For Service Manuals Contact  
**MAURITRON TECHNICAL SERVICES**  
8 Cherry Tree Rd, Chinnor  
Oxon OX9 4QY  
Tel:- 01844-351694 Fax:- 01844-352554  
Email:- enquiries@mauritron.co.uk

# ★ SAFETY INSTRUCTIONS

## PRECAUTIONS DURING SERVICING

1. Parts identified by the ▲ (\*) symbol parts are critical for safety. Replace only with parts number specified.
2. In addition to safety, other parts and assemblies are specified for conformance with such regulations as those applying to spurious radiation.  
These must also be replaced only with specified replacements.  
Examples: RF converters, tuner units, antenna selectswitches, RF cables, noise blocking capacitors, noise blocking filters, etc.
3. Use specified internal wiring. Note especially:
  - 1) Wires covered with PVC tubing
  - 2) Double insulated wires
  - 3) High voltage leads
4. Use specified insulating materials for hazardous live parts.  
Note especially:
  - 1) Insulation Tape
  - 2) PVC tubing
  - 3) Spacers (Insulating Barriers)
  - 4) Insulation sheets for transistors
  - 5) Plastic screws for fixing microswitch (especially in turntable)
5. When replacing AC primary side components (transformers, power cords, noise blocking capacitors, etc.), wrap ends of wires securely about the terminals before soldering.

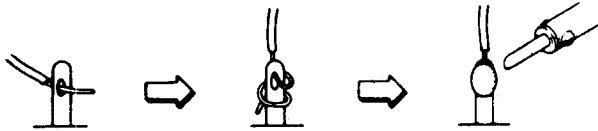
6. Observe that wires do not contact heat producing parts (heatsinks, oxide metal film resistors, fusible resistors, etc.).
7. Check that replaced wires do not contact sharp edged or pointed parts.
8. Also check areas surrounding repaired locations.
9. Use care that foreign objects (screws, solder droplets, etc.) do not remain inside the set.

## SAFETY CHECK AFTER SERVICING

After servicing, make measurements of leakage-current or resistance in order to determine that exposed parts are acceptably insulated from the supply circuit.

The leakage-current measurement should be done between accessible metal parts (such as chassis, ground terminal, microphone jacks, signal-input/output connectors, etc.) and the earth ground through a resistor of 1500 ohms paralleled with a 0.15  $\mu$ F capacitor, under the unit's normal working conditions. The leakage-current should be less than 0.5 mA rms AC.

The resistance measurement should be done between accessible exposed metal parts and power cord plug prongs with the power switch (if included) "ON". The resistance should be more than 2.2 Mohms.



## ★ INFORMATION

### SYMBOLS FOR PRIMARY DESTINATION

Alphabet indicates the destination of the units as listed below.

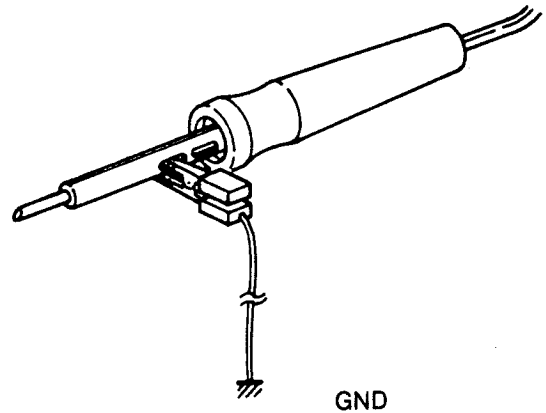
| Symbols | Principal Destinations |
|---------|------------------------|
| A       | USA                    |
| B       | UK                     |
| C       | Canada                 |
| E       | Europe (except UK)     |
| J       | Japan                  |
| S       | Australia              |
| V       | W. Germany only        |
| U       | Universal Area         |
| Y*      | Custom version         |

For Service Manuals Contact  
**MAURITRON TECHNICAL SERVICES**  
8 Cherry Tree Rd, Chinnor  
Oxon OX9 4QY  
Tel:- 01844-351694 Fax:- 01844-352554  
Email:- enquiries@mauritron.co.uk

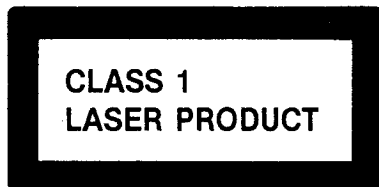
## PRECAUTIONS IN REPAIRING

When repairing or adjusting the unit, please note the following points.

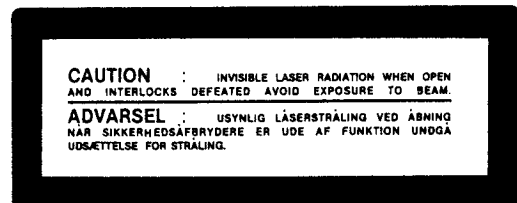
1. Do not put excessive pressure on the mechanical part (operation part), including the pick-up block, as extremely high mechanical precision is required in these parts.
2. When the mechanical part or P.C. Board is removed for repair or adjustment, make sure that there are no metal objects in the narrow gap between the P.C. Board or the mecha parts and the base.
3. The micro-computer and the CD signal processing IC's can be damaged by static electricity or leakage from a soldering iron during repairing. While soldering, please take the precautions against leakage as in the illustration below.
4. Do not loosen any screws in the pick-up block. When handling the Pick-up block, please refer to the points to NOTE when replacing the pick-up block.
5. Keep safety from hazardous invisible laser radiation, DO NOT watch the laser beam (objective lens) directly.
6. Modes for the some countries, laser warning labels are affixed on the unit and inside of the unit, as shown below. Read it carefully for your safety, when replacing or adjusting the unit.



[DENMARK, UK, USA]



A label affixed on the Rear chassis of the unit.



A label affixed on the Disc clammer inside of the unit.

# I. SPECIFICATIONS

## MAIN

### RADIO SECTION

|               |                              |
|---------------|------------------------------|
| Tuning Ranges | : MW : 530-1610 KHz          |
|               | LW : 153-344 KHz <b>B E</b>  |
|               | FM : 87.5-108 MHz            |
| Sensitivity   | : MW : 1000 $\mu$ V          |
|               | LW : 2000 $\mu$ V <b>B E</b> |
|               | FM : 10 $\mu$ V              |
| Antennas      | : MW, LW : Loop              |
|               | FM : 75 Ohm antenna          |

### CASSETTE SECTION

|                    |  |
|--------------------|--|
| Recording System   | : AC bias : 85 KHz                                 |
| Erasing System     | : Magnetic erase                                   |
| Tape Speed         | : 4.75 cm/sec. (Normal),<br>9.5 cm/sec. (Hi-speed) |
| F. Forward Time    | : 120 sec.   |
| Rewind Time        | : 120 sec.   |
| Wow & Flutter      | : 0.3%   |
| Frequency Response | : 125 Hz-10 KHz                                    |
| S/N Ratio          | : 40 dB  |

### TURN TABLE SECTION

|                         |   |
|-------------------------|---|
| Turn Table (Platter)    | : Plastic Mold, 280 mm<br>Diameter            |
| Drive System            | : Belt Drive Semi-automatic                   |
| Motor                   | : DC Servo Motor                              |
| Speed                   | : 33-1/3 & 45 rpm                             |
| Wow & Flutter           | : 0.25% (Wrms)                                |
| Rumble                  | : More Than 50 dB (Din-B)                     |
| Tone ARM                | : Static Balanced Straight Type               |
| Effective ARM Length    | : 198 mm                                      |
| Cartridge               | : Moving Magnetic Type<br>(AT-3606. W/STYLUS) |
| Stylus                  | : ATN 3606                                    |
| Output Voltage          | : 2.5-5 mV                                    |
| Channel Separation      | : More Than 18 dB                             |
| Optimal Stylus Pressure | : 3-5 g                                       |
| Weight                  | : 0.5 Kg                                      |

### MICROPHONE SECTION

|                   |                   |
|-------------------|-------------------|
| Input Sensitivity | : 2.5 mV/50 Kohms |
|-------------------|-------------------|

### GENERAL

|              |  |
|--------------|--|
| Output Power | : 2 x 25 W   |
| Power Source | : AC 240 V/50 Hz <b>B S</b><br>AC 220 V/50 Hz <b>E</b> |
| Dimensions   | : 350(W) x 422(H) x 351(D) mm                          |

## CDP

### CDP

|        |  |
|--------|--|
| System | : Compact disc digital<br>audio system |
|--------|--|

### AUDIO CHARACTERISTICS

|                     |                           |
|---------------------|---------------------------|
| Frequency Response  | : 20 Hz-20 KHz            |
| Harmonic Distortion | : Less than 0.04% (1 KHz) |
| S/N Ratio           | : More than 90 dB         |
| Wow and Flutter     | : Below measurable limits |
| Channel Separation  | : More than 80 dB (1 KHz) |
| Output Voltage Max. | : 2 Vrms                  |

### FUNCTIONS

|                           |   |
|---------------------------|---|
| Instant Program Selection | : Sequential,<br>with SKIP ( <b>◀</b> and <b>▶</b> )<br>buttons                             |
| Index                     | : Sequential,<br>with SEARCH/INDEX<br>( <b>▶</b> and <b>◀</b> ) buttons<br>(Stop mode only) |
| Fast-Forward/Back         | : Fast-forward/back with sound  |
| Remain Time Display       | : With TIME button<br>(during normal disc play only)  |
| Program Functions         | : 16 selections   |
| Repeat                    | : One track, All tracks,<br>All programmed tracks   |
| Program Reset             | : Press STOP button twice<br>(during programmed disc play)                                  |
| Pause                     | : Each track  |
| Disc Loading              | : Motor driven horizontal<br>loading  |

### DIGITAL SIGNAL PROCESSING

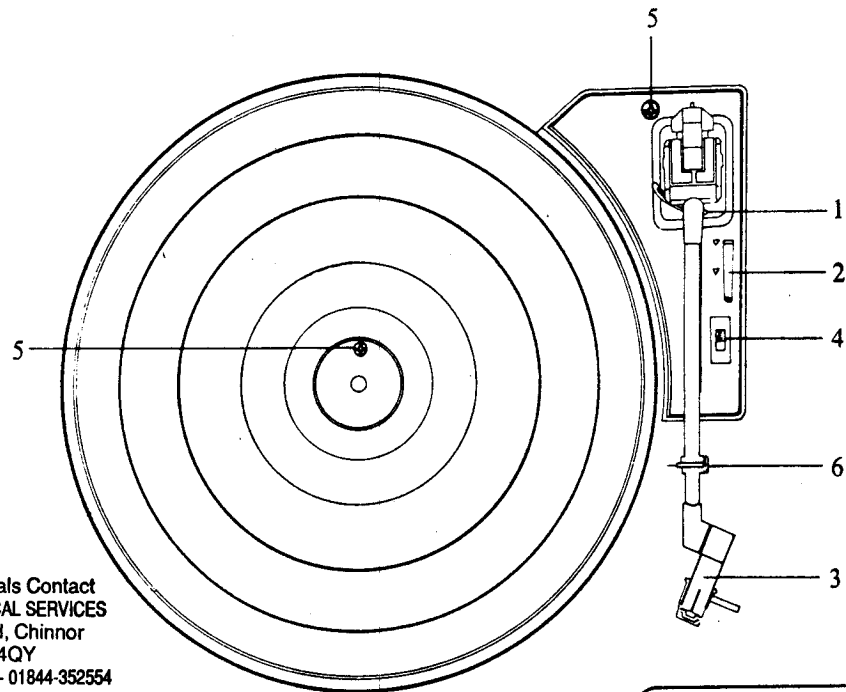
|                    |  |
|--------------------|--|
| Optical Pickup     | : 3-beam laser                           |
| Error Correction   | : CIRC                                   |
| Sampling Frequency | : 44.1 KHz                               |
| D/A Conversion     | : 16-bit linear                          |
| Filter             | : Digital filter +<br>(4-pole LC filter) |

\*Specifications and design are subject to change without notice.

For Service Manuals Contact  
**MAURITRON TECHNICAL SERVICES**  
8 Cherry Tree Rd, Chinnor  
Oxon OX9 4QY  
Tel: 01844-351694 Fax: 01844-352554  
Email: enquiries@mauritron.co.uk

## II. CONTROLS

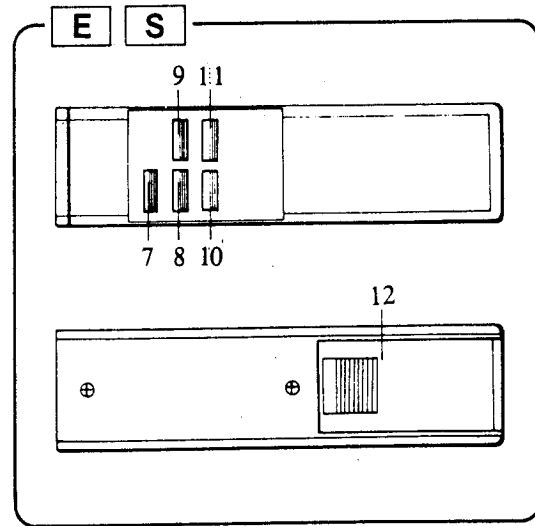
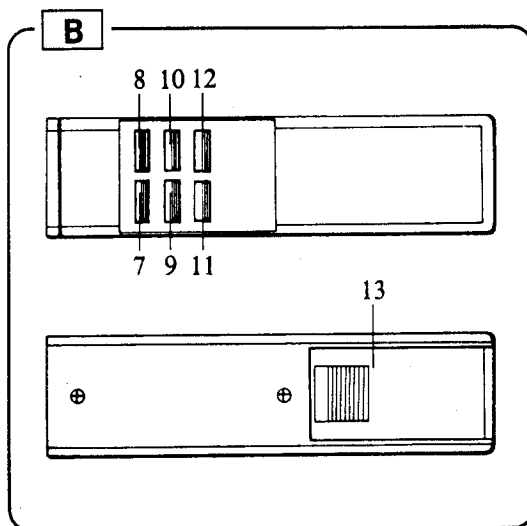
### 2-1 TURN TABLE (TOP)



For Service Manuals Contact  
**MAURITRON TECHNICAL SERVICES**  
 8 Cherry Tree Rd, Chinnor  
 Oxon OX9 4QY  
 Tel:- 01844-351694 Fax:- 01844-352554  
 Email:- enquiries@mauritron.co.uk

**Before operating,  
 remove the screw 5.**

### 2-2 REMOTE CONTROL

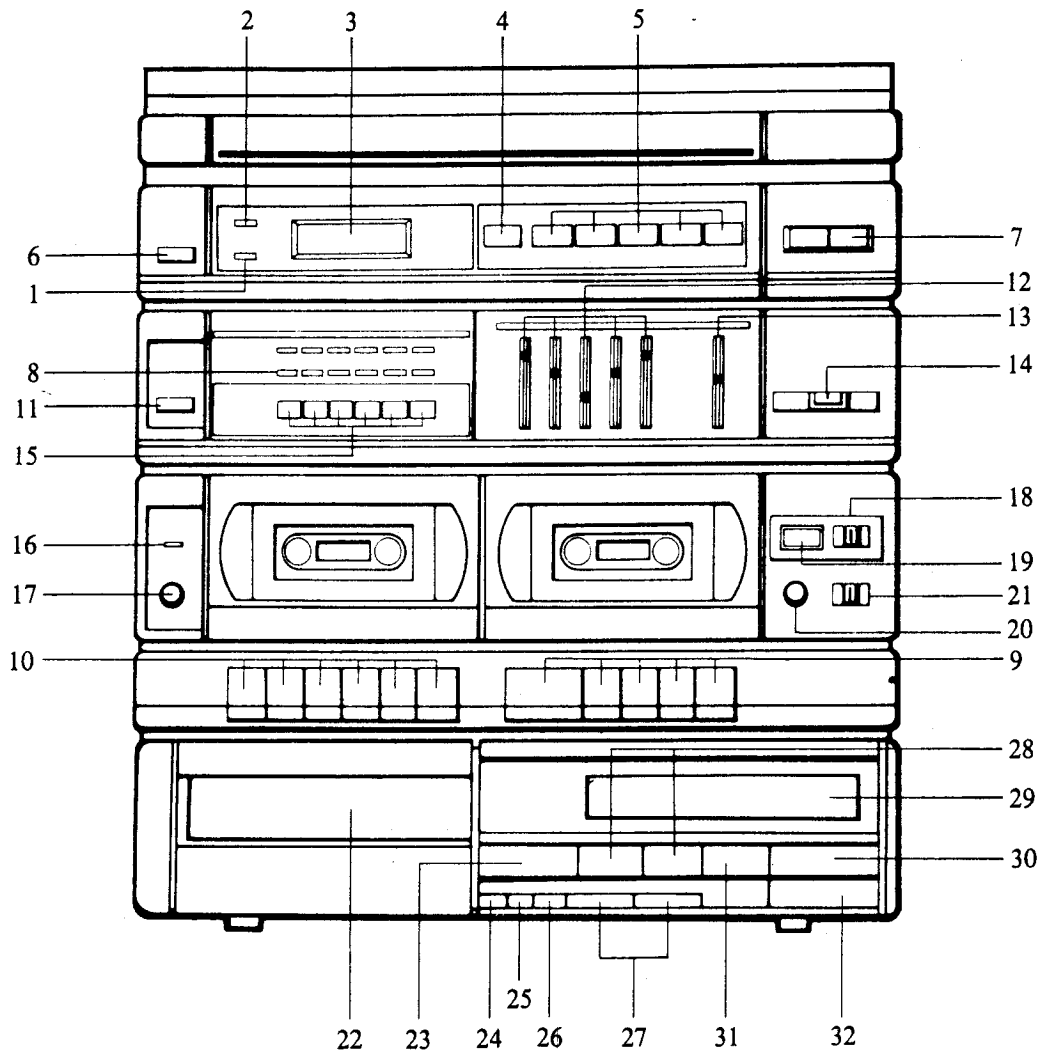


1. Arm Lifter
2. Cueing Lever
3. Cartridge
4. Speed Selector
5. Shipping Screw
6. Arm-Rest

7. POWER OFF Button
8. POWER ON Button
9. VOLUME DOWN Button
10. VOLUME UP Button
11. PRESET SCAN START Button
12. PRESET SCAN STOP Button
13. Battery Cover

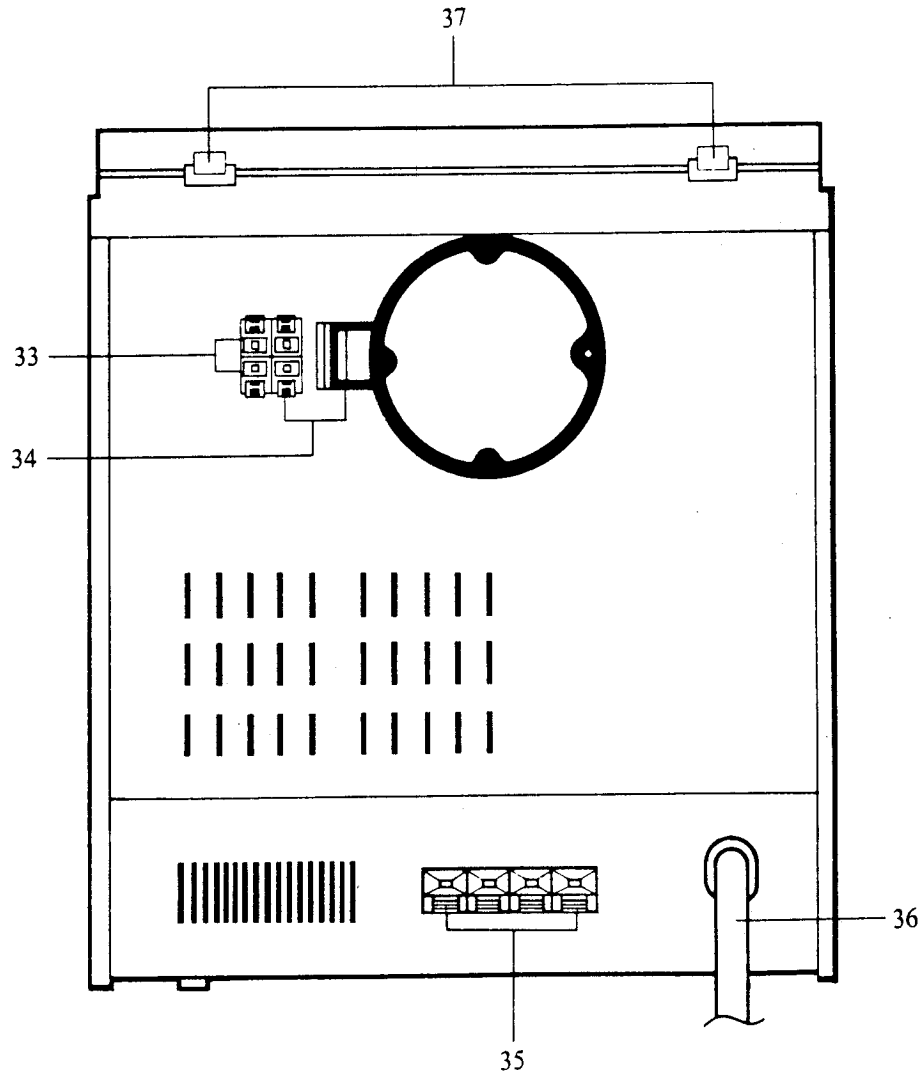
7. POWER ON/OFF
8. PRESET SCAN START Button
9. PRESET SCAN STOP Button
10. VOLUME DOWN Button
11. VOLUME UP Button
12. Battery Cover

## 2-3 FEATURE OR FIGURE (FRONT)



- |                                       |                                  |
|---------------------------------------|----------------------------------|
| 1. TUNED Indicator                    | 17. PHONES Jack                  |
| 2. STEREO Indicator                   | 18. TAPE SELECTOR Switch         |
| 3. LC (Liquid Crystal) Display        | 19. REMOTE SENSOR Window         |
| 4. MEMORY Button                      | 20. MIC Jack                     |
| 5. PRESET STATION Buttons             | 21. DUBBING Switch               |
| 6. FM MONO/STEREO/BEAT CUT Switch     | 22. Disc Drawer                  |
| 7. TUNING UP/DOWN Button              | 23. OPEN/CLOSE ▲ Button          |
| 8. Level Indicator                    | 24. REPEAT Button                |
| 9. Deck I Control Buttons             | 25. MODE Button                  |
| 10. Deck II Control Buttons           | 26. PROGRAM Button               |
| 11. POWER ON/OFF Switch               | 27. Search/Index (◀◀/▶▶) Buttons |
| 12. 5 Band Graphic Equalizer Controls | 28. Skip (◀◀/▶▶) Buttons         |
| 13. BALANCE Control                   | 29. LC (Liquid Crystal) Display  |
| 14. VOLUME Control                    | 30. Play ▶ Button                |
| 15. INPUT SELECTOR Buttons            | 31. Pause ■■ Button              |
| 16. REC (Record) Indicator            | 32. Stop ■■ Button               |

(REAR)



33. FM Antenna Terminal  
34. MW/LW Antenna Terminal  
35. Speakers Terminal

36. AC Cord  
37. Hinge

For Service Manuals Contact  
MAURITRON TECHNICAL SERVICES  
8 Cherry Tree Rd, Chinnor  
Oxon OX9 4QY  
Tel:- 01844-351694 Fax:- 01844-352554  
Email:- enquiries@mauritron.co.uk



### III ADJUSTMENT

#### 3-1 TAPE SPEED ADJUSTMENT

Connect a frequency counter to phone jack.

##### 3-1-1 HIGH SPEED ADJUSTMENT

1. Cut the lead of R452.
2. For the TAPE I section, adjust the SVR401 to obtain a tape speed of  $6300 \pm 10$  Hz.

##### 3-1-2 NORMAL SPEED ADJUSTMENT

1. Short the circuit R452 by solder.
2. For the TAPE I section, adjust the SVR402 to obtain a tape speed of  $3150 \pm 10$  Hz.

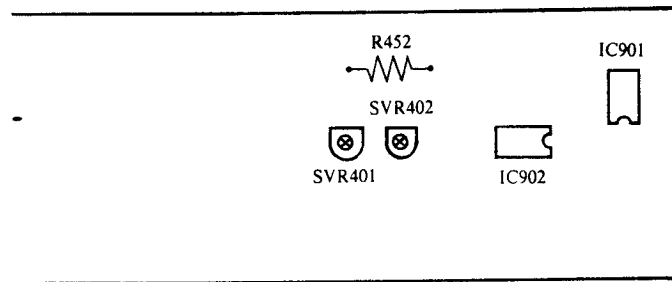


Fig. 3-1

##### 3-1-3 HEAD AZIMUTH ADJUSTMENT

1. Connect a A.C. Voltmeter To Phone Jack.
2. Play Back a 10 KHz Azimuth Alignment Tape (AT-750778) and Adjust The Azimuth Alignment Screw Until The Output Levels Are Maximum.
3. After Adjustment Paintlock The Azimuth Alignment Screw.

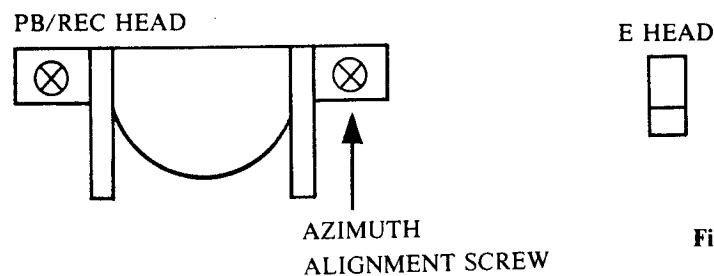


Fig. 3-2

#### 3-2 TURN TABLE SPEED ADJUSTMENT

1. Connect a frequency counter to phone jack.
2. Set the speed selector to  $33\frac{1}{3}$  rpm.
3. Play back the test record (1000 Hz  $33\frac{1}{3}$  rpm), and adjust VR2 so that the speed is 1000 Hz.
4. Set the speed selector to 45 rpm.
5. Play back the test record (1000 Hz 45 rpm), and adjust VR1 so that the speed is 1000 Hz.

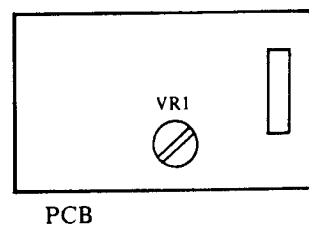


Fig. 3-3

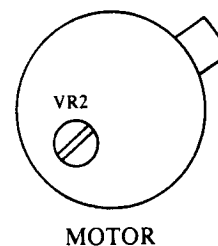


Fig. 3-4

## 3-3 TUNER ADJUSTMENT

### 3-3-1 INSTRUMENT CONNECTIONS

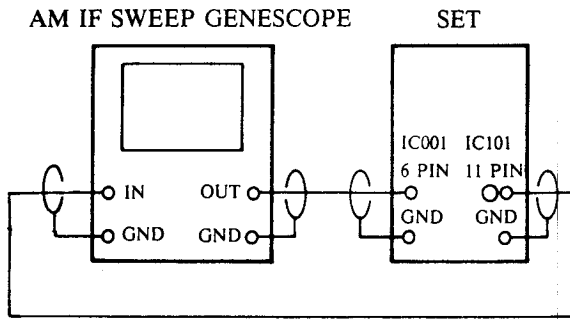


Fig. 3-5 MW, IF Adjustment

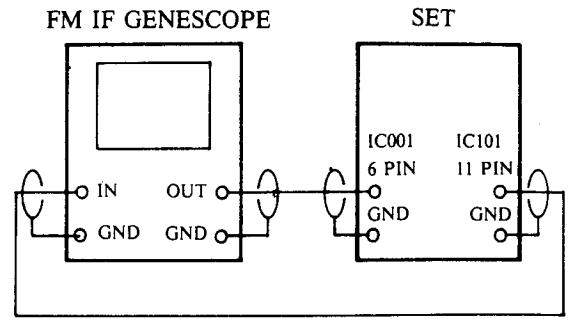


Fig. 3-6 FM, IF Adjustment

For Service Manuals Contact  
**MAURITRON TECHNICAL SERVICES**  
 8 Cherry Tree Rd, Chinnor  
 Oxon OX9 4QY  
 Tel:- 01844-351694 Fax:- 01844-352554  
 Email:- enquiries@mauritron.co.uk

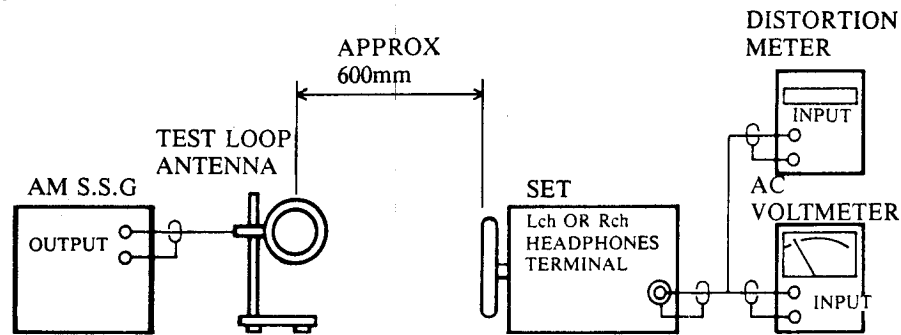


Fig. 3-7 Instrument Connection for AM (MW, LW)

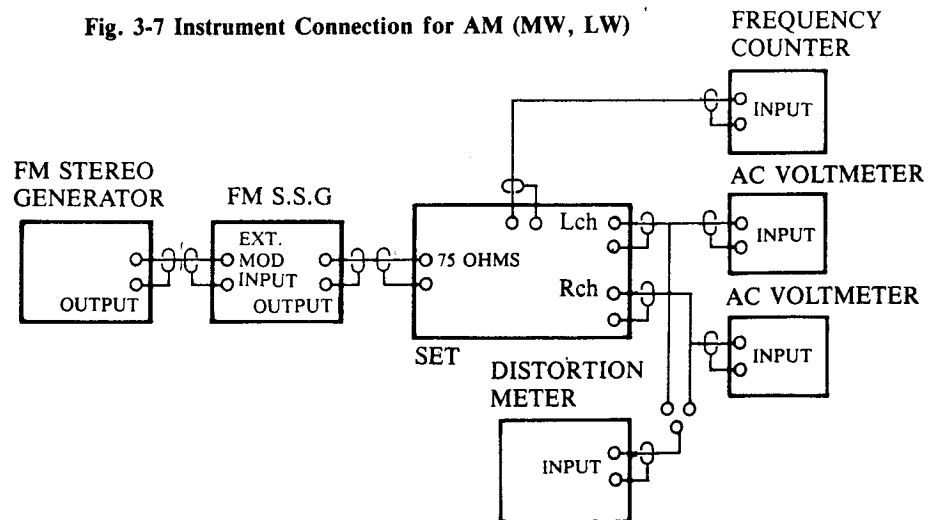


Fig. 3-8 Instrument Connection for FM Section Adjustment

### 3-3-2 FM ADJUSTMENT

**NOTE:**

1. Set the S.S.G to 1 KHz, 75 KHz deviation.
2. Confirm that the sensitivity margin between Low and High range sensitivities is within 3 dB, otherwise readjust Low and High range sensitivity.
3. Set BAND SELECTOR to FM.

| Step | Adjustment Item  | SSG<br>FREQ/ATT        | SET<br>TUNING | Adjustment<br>Part | Result  | Remarks  |
|------|--|------------------------|---------------|--------------------|---|--|
| 1    | FM IF  |                        |               | T001<br>T102       | Maximum S<br>Curve waveform<br>(Upper waveform<br>symmetricity) | Connect a sweep<br>generator to<br>IC001 (6) Pin and<br>IC101 (11) Pin<br>(IF OUT).<br>Refer to Fig. 3-6 |
| 2    | SENSITIVITY<br>(LOW)                                     | 90 MHz<br>30 dB $\mu$  | 90 MHz        | L001               | Minimum<br>distortion   | Refer to Fig. 3-8  |
| 3    | SENSITIVITY<br>(HIGH)                                    | 106 MHz<br>30 dB $\mu$ | 106 MHz       | C001               | Minimum<br>distortion   | Refer to Fig. 3-8  |
| 4    | For best result, repeat step 2 and 3 two or three times. |                        |               |                    |   |  |
| 5    | MPX<br>Free Running<br>Frequency                         |                        |               | R203               | 76 KHz $\pm$ 50 Hz  | Connect a frequency<br>counter between<br>Pin (4) of IC201 and<br>GND.<br>Refer to Fig. 3-8              |

### 3-3-3 MW ADJUSTMENT

**NOTE:**

1. Set the S.S.G to 1 KHz 30% modulation of each.
2. Set BAND SELECTOR to MW.

| Step | Adjustment Item  | SSG<br>FREQ/ATT         | SET<br>TUNING | Adjustment<br>Part | Result                | Remarks  |
|------|--|-------------------------|---------------|--------------------|-----------------------|--|
| 1    | IF   |                         |               | T101<br>T103       | Maximum<br>Output     | Connect a sweep<br>generator to<br>IC101 (1) Pin and<br>IC101 (11) Pin<br>(IF OUT).<br>Refer to Fig. 3-5 |
| 3    | SENSITIVITY<br>(LOW)                                     | 550 KHz<br>60 dB $\mu$  | 550 KHz       | T106               | Minimum<br>distortion | Refer to Fig. 3-7  |
| 4    | SENSITIVITY<br>(HIGH)                                    | 1500 KHz<br>60 dB $\mu$ | 1500 KHz      | C002               | Minimum<br>distortion | Refer to Fig. 3-7  |
| 5    | For best result, repeat step 2 and 4 two or three times. |                         |               |                    |                       |  |
| 2    | OSC  | 530 KHz                 | 530 KHz       | T104               | Minimum<br>distortion | Refer to Fig. 3-7  |

### 3-3-4 LW ADJUSTMENT

**NOTE:**

1. Set the S.S.G to 1 KHz 30% modulation of each.
2. Set BAND SELECTOR to LW.

| Step | Adjustment Item  | SSG<br>FREQ/ATT        | SET<br>TUNING | Adjustment<br>Part | Result                | Remarks           |
|------|--|------------------------|---------------|--------------------|-----------------------|-------------------|
| 2    | SENSITIVITY<br>(LOW)                                     | 160 KHz<br>60 dB $\mu$ | 160 KHz       | T107               | Minimum<br>distortion | Refer to Fig. 3-7 |
| 3    | SENSITIVITY<br>(HIGH)                                    | 300 KHz<br>60 dB $\mu$ | 300 KHz       | C003               | Minimum<br>distortion | Refer to Fig. 3-7 |
| 4    | For best result, repeat step 2 and 3 two or three times. |                        |               |                    |                       |                   |
| 1    | OSC  | 155 KHz                | 155 KHz       | T105               | Minimum<br>distortion | Refer to Fig. 3-7 |

## 3-4 DISASSEMBLY PROCEDURES FOR CDP SECTION

### 3-4-1 REMOVING THE DISC TRAY

1. Apply Power Switch to the set and press the OPEN/CLOSE button to open the table load.
2. Apply OFF the Power Switch while the table load is open, and push the table load back in by hand to close it.

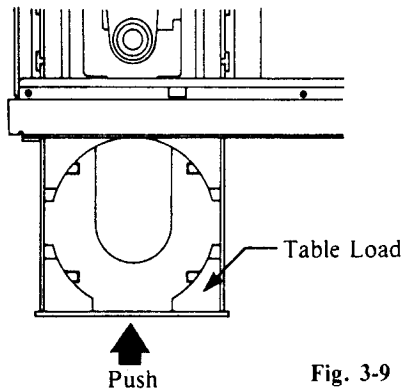


Fig. 3-9

### 3-4-2 REMOVING THE MECHANISM

Take out the four screws (9 – 12 in the diagram below) with which the mechanism is mounted in place and remove the mechanism.

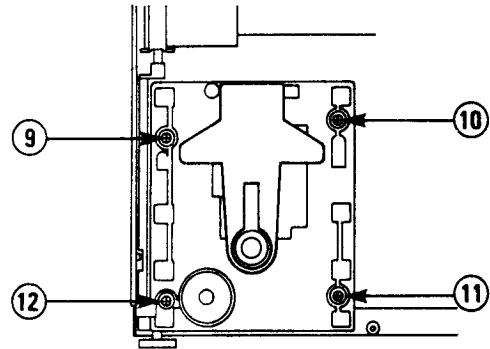


Fig. 3-11

3. Pull out the table load by hand to open it again. The table load will disengage easily and come out smoothly.
4. Now remove the table load from the cabinet while pressing the hook in the direction of the arrow as shown Fig. 3-10.

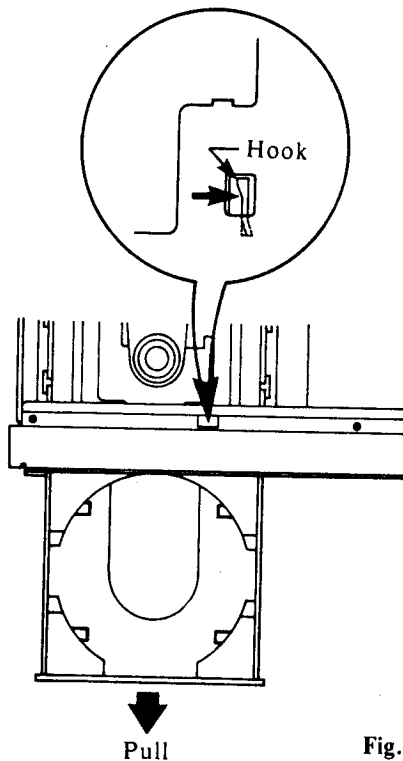


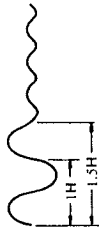
Fig. 3-10

For Service Manuals Contact  
**MAURITRON TECHNICAL SERVICES**  
8 Cherry Tree Rd, Chinnor  
Oxon OX9 4QY  
Tel:- 01844-351694 Fax:- 01844-352554  
Email:- enquiries@mauritron.co.uk

**5. KICK GAIN**

1. Test disc TYPE III(AT-711881)
2. PAUSE
3. @ Connect channel 1 of the oscilloscope to pin 4(TE) of CN 12 and connect EXT TRIGGER of the oscilloscope to pin 2 (TRH) of CN 11.

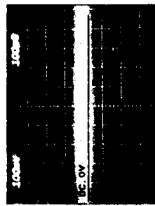
\* Adjust P206 so that the kick pulse waveform becomes 1 to 1.5 Hz as shown below.



**4. TRACKING SERVO GAIN**

1. Test disc TYPE III (AT-711881)
2. PLAY
3. P204
4. @ Connect an oscilloscope between pin 3(T) of CN 9 and GND.

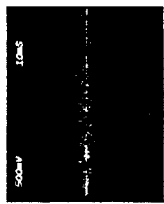
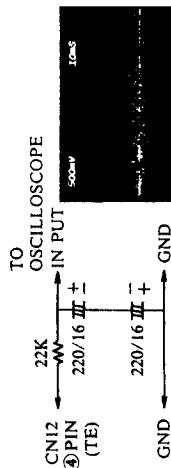
\* 0.8 to 1.2 Vp-p.



**1. E-F BALANCE**

1. Test disc TYPE III(AT-711881)
2. PLAY
3. P203
4. @ Short between pin 4 and 5 of CN 9, and connect an oscilloscope between pin 4(TE) of CN 12 and GND through the low pass filter as shown below.

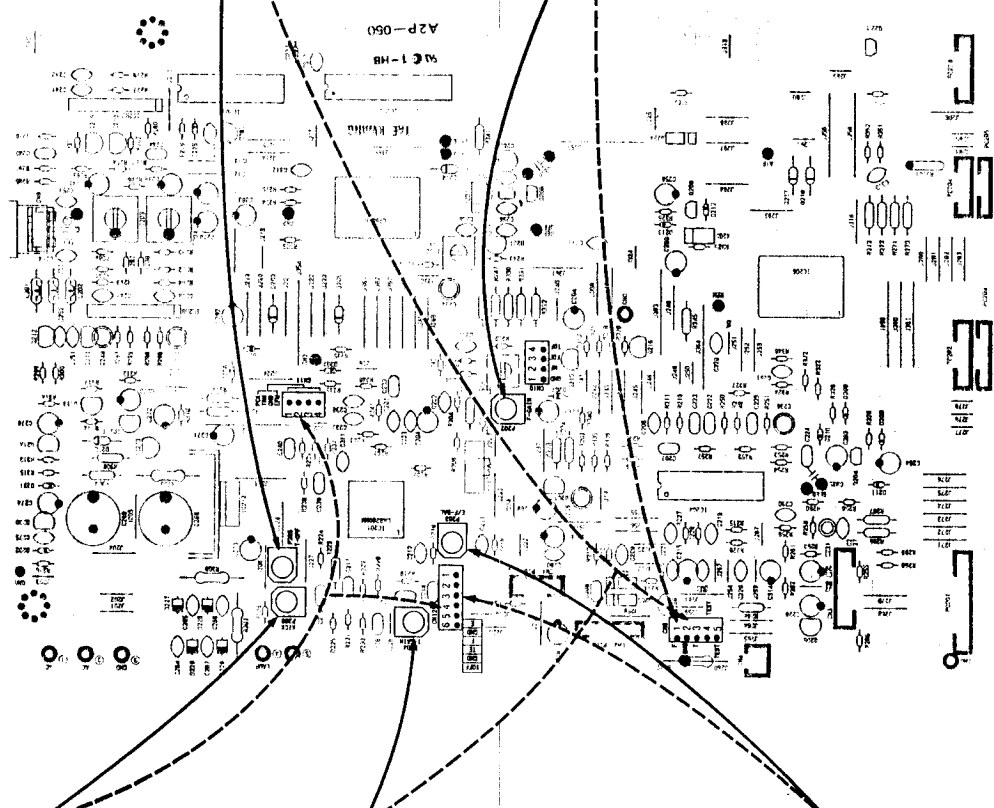
\* Adjust P203 so that the center of waveform on the oscilloscope is DC 0 V as shown below.



| STEP | ADJUSTMENT ITEM        |
|------|------------------------|
| 1.   | Test Disc              |
| 2.   | Mode                   |
| 3.   | Test Point & Adj. Part |
| 4.   | Result & Remarks       |

ADJ. Part

Test Point



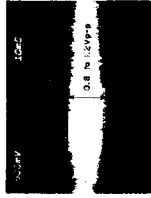
**3. TRACKING SERVO OFF-SET**

1. --- STOP
2. P205
3. @ Connect a digital DC voltmeter between pin 3(T) of CN 9 and GND, then short the pin 4(T OFF) of CN 10 and GND.
4. \* 50mV.

**2. FOCUS SERVO GAIN**

1. Test disc TYPE III(AT-711881)
2. PLAY
3. P202
4. @ Connect an oscilloscope between pin 1(F) of CN 9 and GND.

\* 0.6 to 1.0 Vp-p.



## IV. PARTS LIST

### ATTENTION

- When placing an order for parts, be sure to list Part No., Model No. and the description of each part. Otherwise, the non-delivery of the part or the delivery of a wrong part may result.
- Please make sure that Part No. is correct when ordering.  
If not, a part different from the one you ordered may be delivered.
- Since the parts shown in Parts List of Preliminary Service Manual may have been the subject of changes, please use this Parts List for all future reference.

### HOW TO USE THIS PARTS LIST

- This Parts List lists those parts which are considered necessary for repairs. Other common parts, such as resistors and capacitors, are listed in the "Common List for Service Parts" from which these parts should be selected and stocked.
- The Recommended Spare Parts List shows those parts in the Parts List which are considered particularly important for service.
- Parts not shown in the Parts List and "Common List for Service Parts" will not in principle be supplied.
- How to read the Parts List.

For Service Manuals Contact  
**MAURITRON TECHNICAL SERVICES**  
 8 Cherry Tree Rd, Chinnor  
 Oxon OX9 4QY  
 Tel: 01844-351694 Fax: 01844-352554  
 Email: enquiries@mauratron.co.uk

#### a) Mechanism Block

#### 2. HEAD BASE BLOCK

| REF. NO. | PART NO.      | DESCRIPTION        |
|----------|---------------|--------------------|
| 1        | BH-T2023A320A | HEAD BASE BLOCK    |
| 2        | HP-H2206A010A | HEAD R/P PR4-8FU C |
| 3        | ZS-477876     | PAN20x03STL CMT    |
| 4        | ZS-536488     | BID20x08STL CMT    |
| 5        | ZG-402895     | SP CS ANGLE ADJUST |

SP (Service Parts) Classification

This number corresponds with the individual parts index number in that figure.

#### b) PC Board

#### 6. MAIN PC BOARD

| REF. NO. | PART NO.  | DESCRIPTION                  |
|----------|-----------|------------------------------|
| IC1      | EI-324536 | IC HD14049RP                 |
| IC2      | EI-336801 | IC MB8841-564M               |
| C1A      | EC-338399 | C MMY V 223M 250AC [U/E.B.S] |
| C1B      | EC-350949 | C MMY V 223M 250DC [J]       |
| C1C      | EC-338397 | C MMY V 223M 125AC [CA]      |
| X1       | EI-318384 | OSC XTAL NC-18C              |

Symbols for primary destination

[A] : AAL (U.S.A) [S] : SAA (Australia)  
 [B] : BEAB (England) [U] : U/T (Univers Area)  
 [C] : CSA (Canada)  
 [E] : CEE (Europe) [V] : VDE (W. Germany)  
 [J] : JPN (Japan) [Y] : Custom Version

SP (Service Parts) Classification

These reference symbols correspond with component symbols in the Schematic Diagrams.

The available PC Board Blocks are listed separately.

- When Part No. is known, Parts Index at end of Parts List can be used to locate where that part is shown in Parts List by its Reference No. listed at right of Part No.

### WARNING

⚠(\*) INDICATES SAFETY CRITICAL COMPONENTS. FOR CONTINUED SAFETY, REPLACE SAFETY CRITICAL COMPONENTS ONLY WITH MANUFACTURER'S RECOMMENDED PARTS.

### AVERTISSEMENT

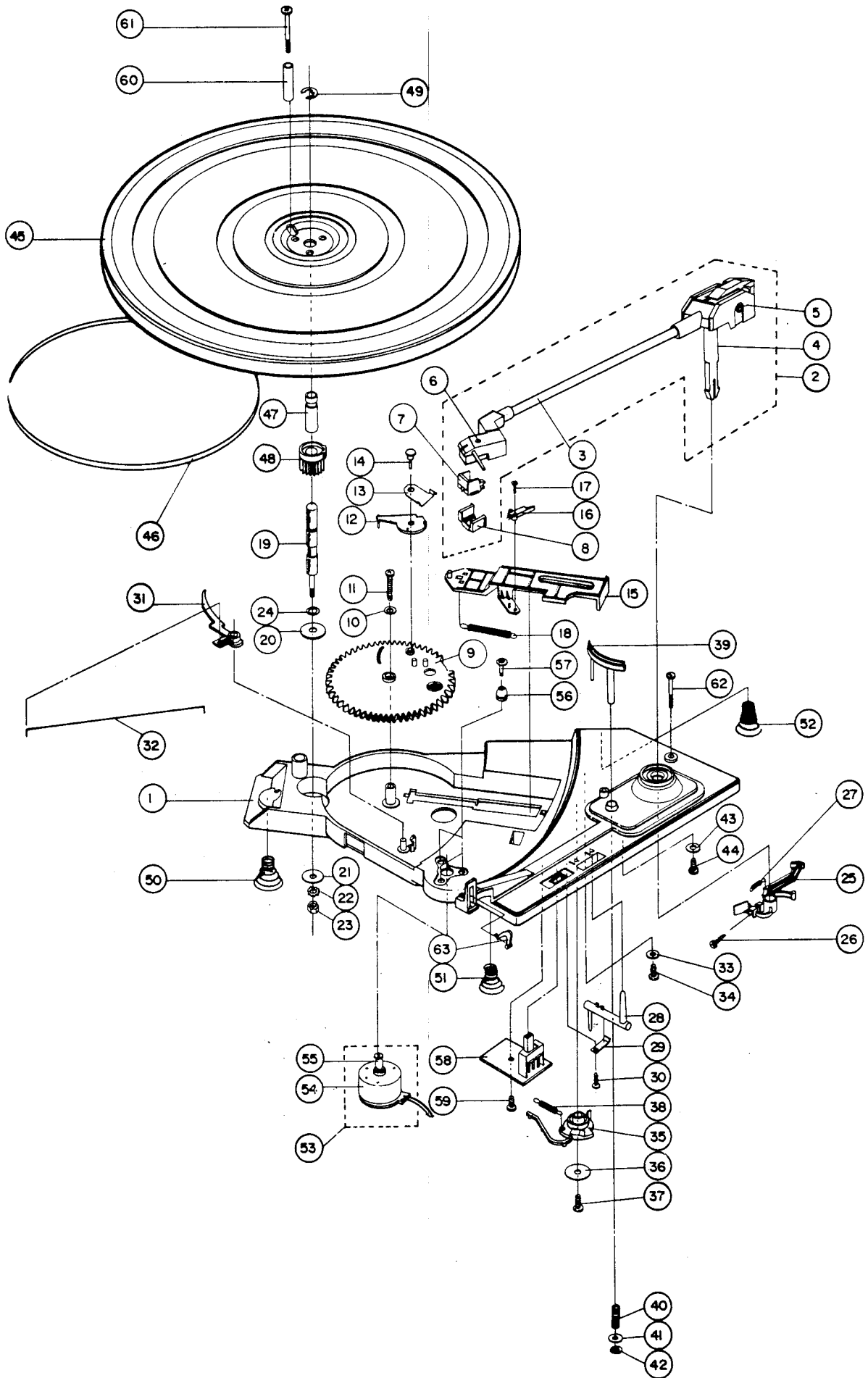
⚠(\*) IL INDIQUE LES COMPOSANTS CRITIQUES DE SECURITE. POUR MAINTENIR LE DEGRE DE SECURITE DE L'APPAREIL, NE REMPLACER QUE DES PIECES RECOMMANDEES PAR LE FABRICANT.

# 1. RECOMMENDED SPARE PARTS

We suggest you to stock the following Recommended Spare Part items listed below since they can cover most of the routine service.

| Ref. No. | Part No.    | Description                         | Notes    | Ref. No. | Part No.    | Description                             | Notes                           |
|----------|-------------|-------------------------------------|----------|----------|-------------|---|---------------------------------|
| 1        | BB-728671K  | CD MECHA BLK AC-M370                |          | 63       | EI376113    | OSC CE CSB455EB                         |                                 |
| 2        | BB-728695K  | MECHA BLK TN-21SW-670<br>AC-M370    |          | 64       | EI-344422   | OSC X'TAL HC-18/U 7.200MHZ              |                                 |
| 3        | BF-717793   | FLYWHEEL ASSY                       |          | 65       | EI-728762K  | OSC X'TAL HC-49/U 8.6436MHZ             |                                 |
| 4        | BF-717792   | FLYWHEEL PART P                     |          | 66       | EM-728767K  | IND LCD FTD6793                         |                                 |
| 5        | BM-728734K  | MOTOR ASSY                          |          | 67       | EM-728693K  | IND LCD<br>HDL-7109-5A2PQSA             |                                 |
| 6        | BM-372052   | MOTOR EG-500YD-2B                   |          | 68       | EM-728698K  | PL PL-12CLR110T                         |                                 |
| 7        | BM-728647K  | MOTOR LOADING                       |          | 69       | EM-728765K  | PL 16V 110MA                            |                                 |
| 8        | BM-728646K  | MOTOR SPINDLE                       |          | 70       | EO-728760K  | COIL OSC                                |                                 |
| 9        | BO-728643K  | PICK UP ASSY SF-88                  |          | 71       | *ER-728753K | R FUSE 1/2W 100J                        |                                 |
| 10       | *BT-729258K | TRANS POW A86-031X-S<br>AC-M370(E)  | (E)      | 72       | *ER-728752K | R FUSE 1/4W 100J                        |                                 |
| 11       | *BT-728694K | TRANS POW A86-031X-V<br>AC-M370L(B) | (B)      | 73       | ES-728645K  | SW LEAF                                 |                                 |
| 12       | *BT-729257K | TRANS POW A86-031Z-B<br>AC-M370(S)  | (S)      | 74       | ES-728738K  | SW LEAF MSW-1466C                       |                                 |
| 13       | ED-728689K  | D LED DLG-503T GREEN                | (TUNING) | 75       | ES-726489J  | SW LEAF MSW-1541T                       |                                 |
| 14       | ED-728690K  | D LED DLR-1503D RED                 | (REC)    | 76       | ES-728644K  | SW LEVER 1PIT                           |                                 |
| 15       | ED-728688K  | D LED DLR-503T RED                  |          | 77       | ES-728702K  | SW PUSH R2100454                        | (MO/ST,<br>BEAT CUT)            |
| 16       | *ED-728687K | D SILICON H RL-203                  |          | 78       | *ES-728706K | SW PUSH SDL-1P                          | (POWER<br>SW)                   |
| 17       | ED-307572   | D SILICON H 1S131                   |          | 80       | ES-728700K  | SW PUSH TR23264383<br>6KEY              | (B,E) (INPUT<br>SELECTOR<br>SW) |
| 18       | ED-311852   | D SILICON H 1S2471                  |          | 81       | ES-728739K  | SW SLIDE SKS-2210B                      |                                 |
| 19       | ED-624903   | D SILICON H 1S2473                  | (E,S)    | 82       | ES-728705K  | SW SLIDE                                | (REC/PB<br>SW)                  |
| 20       | ED-511907   | D SILICON 1N4002<br>100/1.0A        |          | 83       | ES-728704K  | SW SLIDE 004200148                      | (TAPE<br>SELECTOR)              |
| 21       | ED-336832-A | D VARACTOR SVC211SPA<br>A,B,C,D,E   |          | 84       | ES-728703K  | SW SLIDE 004300148                      | (DUBBING)                       |
| 22       | ED-728691K  | D VARACTOR 1SV101                   |          | 85       | ES-728699K  | SW TACT                                 | (MEMORY)                        |
| 23       | ED-728692K  | D VARACTOR 1SV149-A                 |          | 86       | ES-728766K  | SW TACT                                 | (OPEN/<br>CLOSE)                |
| 24       | ED-728751K  | D ZENER H MTZ7.5B                   |          | 87       | ET-372030   | TR DTA144EF                             |                                 |
| 25       | ED-362911   | D ZENER H 05AZ13-Y                  |          | 88       | ET-363326   | TR FET 2SK161 GR                        |                                 |
| 26       | ED-384533J  | D ZENER H 05AZ5.1-Y                 | (B)      | 89       | ET-728749K  | TR KSR1003                              |                                 |
| 27       | ED-384543J  | D ZENER H 05AZ6.2-Z                 |          | 90       | ET-728750K  | TR KTA1015 GR                           |                                 |
| 28       | ED-384550J  | D ZENER H 05AZ7.5-Z                 |          | 91       | ET-728673K  | TR KTA1015 Y                            |                                 |
| 29       | *EF-258344  | FUSE SEMKO T 250V<br>800MA          |          | 92       | ET-728672K  | TR KTA950 Y                             | (B)                             |
| 30       | EH-728761K  | FILTER                              |          | 93       | ET-728746K  | TR KTC1815 GR                           | (B,E)                           |
| 31       | EH-355568   | FILTER CE SFE10.7MS2G-A             |          | 94       | ET-725885K  | TR KTC1815 Y                            |                                 |
| 32       | EH-344435   | FILTER CE SFU450B9<br>0.450MHZ      |          | 95       | ET-728674K  | TR KTC1923 O                            |                                 |
| 33       | EH-728763K  | FILTER CE 4.32MHZ                   |          | 96       | ET-726419K  | TR KTC2120 Y                            |                                 |
| 34       | EH-728714K  | FILTER BPF BPMB6A                   |          | 97       | ET-728676K  | TR KTC2236 Y                            |                                 |
| 35       | EH-728759K  | FILTER RF                           |          | 98       | ET-728675K  | TR KTC2878 Y                            |                                 |
| 36       | EH-728754K  | R COMP RS103                        |          | 99       | ET-728677K  | TR KTD2058 Y                            |                                 |
| 37       | EI-383530J  | IC BX-1407                          |          | 100      | ET-728748K  | TR 2SB911-M                             |                                 |
| 38       | EI-728743K  | IC FA5205P                          |          | 101      | ET-347961   | TR 2SD1012-V G F05                      |                                 |
| 40       | EI-728683K  | IC KA2221                           |          | 102      | ET-728747K  | TR 2SD1227-M                            |                                 |
| 41       | EI-728682K  | IC KA22241                          |          | 103      | EV-728708K  | VR SLIDE VJ-3031-<br>2GPNV-20BH 104     | (BALANCE)                       |
| 42       | EI-728684K  | IC KA2281                           |          | 104      | EV-728093K  | VR SLIDE VJ-3031-<br>2GPNV-20BH 104 x 2 | (100HZ)                         |
| 43       | EI-728686K  | IC KA4558C                          |          | 105      | EV-728707K  | VR SLIDE VL-3031-<br>2GPNV-15C 503      | (VOLUME)                        |
| 44       | EI-728681K  | IC LA3246                           | (B)      | 106      | HE-728772J  | HEAD E                                  |                                 |
| 45       | EI-728745K  | IC LA6462S                          |          | 107      | HP-728770J  | HEAD P                                  |                                 |
| 46       | EI-728740K  | IC LA9200NM                         |          | 108      | HR-728771J  | HEAD R/P                                |                                 |
| 47       | EI-382251J  | IC LC3517BS-15                      |          | 109      | MB-728736K  | BELT                                    |                                 |
| 48       | EI-728741K  | IC LC7860N                          |          | 110      | MB-721445   | BELT MAIN                               |                                 |
| 49       | EI-728742K  | IC LC7880                           |          | 111      | MB-717803   | BELT MAIN                               |                                 |
| 50       | EI-728744K  | IC M50930-414FP                     |          | 112      | MB-726455J  | BELT RF                                 |                                 |
| 51       | EI-336995   | IC NJM78L05A                        |          | 113      | ML-717787   | ARM PINCH ROLLER<br>PART R/P            |                                 |
| 52       | *EI-728680K | IC STK4132-2                        |          | 114      | ML-728768J  | RF PULLEY ARM ASSY                      |                                 |
| 53       | EI-359683   | IC TA7343AP                         |          | 115      | MR-728769J  | PULLEY MOTOR                            |                                 |
| 54       | EI-713319   | IC TA7358AP                         |          | 116      | MR-728649K  | TURN TABLE                              |                                 |
| 55       | EI-728678K  | IC TA7758P                          |          | 117      | TP-728737K  | CARTRIDGE ATN-3609YW                    |                                 |
| 56       | EI-367185   | IC TA78L006AP                       |          | 118      | TP-728733K  | PLATTER AC-M370                         |                                 |
| 57       | EI-367186   | IC TA79L006P                        |          | 119      | TP-728731K  | TONE ARM ASSY<br>AC-M370                |                                 |
| 58       | EI-728685K  | IC TC9149P                          | (B)      |          |             |   |                                 |
| 59       | EI-361638   | IC TC9153AP                         | (B)      |          |             |   |                                 |
| 60       | EI-363289   | IC TC9172P                          |          |          |             |   |                                 |
| 61       | EI-728679K  | IC TC9302AF-008-BS                  |          |          |             |   |                                 |

# TURN TABLE BLOCK





---

## 2. TURN TABLE BLOCK

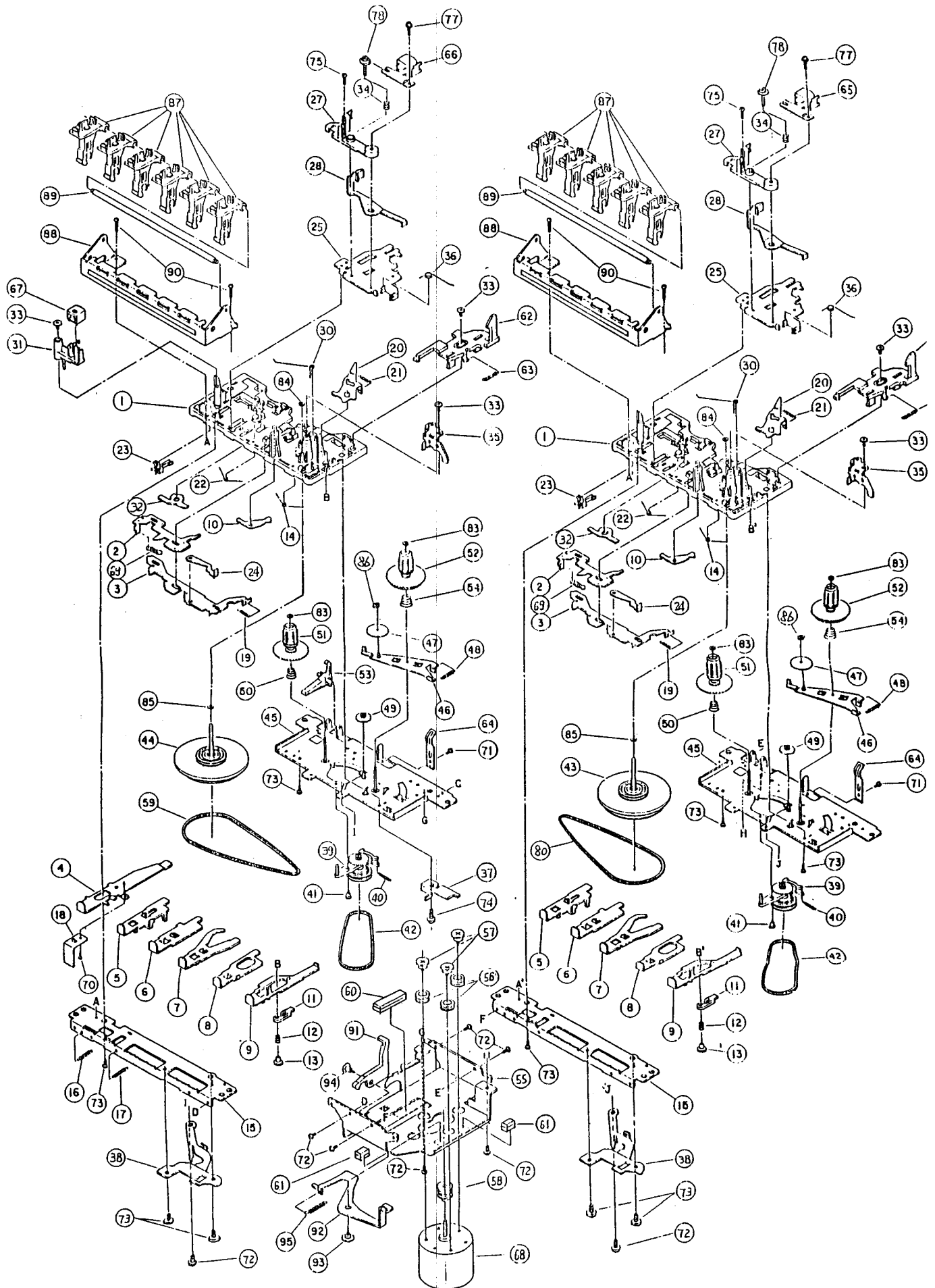
| Ref. No. | Part No.   | Description           | Notes |
|----------|------------|-----------------------|-------|
| 2        | TP-728731K | TONE ARM ASSY AC-M370 |       |
| 7        | TP-728737J | STYLUS ATN 3606       |       |
| 9        | MZ-728096K | GEAR RING             |       |
| 15       | ML-728097K | LEVER RETURN          |       |
| 16       | ES-728738K | SW LEAF MSW-1466C     |       |
| 25       | ML-728098K | ARM FEED              |       |
| 31       | ML-728099K | LEVER CLUTCH          |       |
| 35       | TP-728735K | ELEVATOR              |       |
| 45       | TP-728733K | PLATTER AC-M370       |       |
| 46       | MB-728736K | BELT                  |       |
| 48       | MZ-728732K | GEAR TURN TABLE       |       |
| 53       | 8M-728734K | MOTOR ASSY            |       |
| 58       | ES-728739K | SW SLIDE SKS-2210B    |       |

### NOTE:

Parts will not be supplied if they are not listed in the parts list, even if they appear on the assembling illustrations with reference No.

For Service Manuals Contact  
MAURITRON TECHNICAL SERVICES  
8 Cherry Tree Rd, Chinnor  
Oxon OX9 4QY  
Tel:- 01844-351694 Fax:- 01844-352554  
Email:- enquiries@mauritron.co.uk

# CASSETTE MECHA BLOCK TN-21SW-670



---

### 3. CASSETTE MECHA BLOCK TN-21SW-670

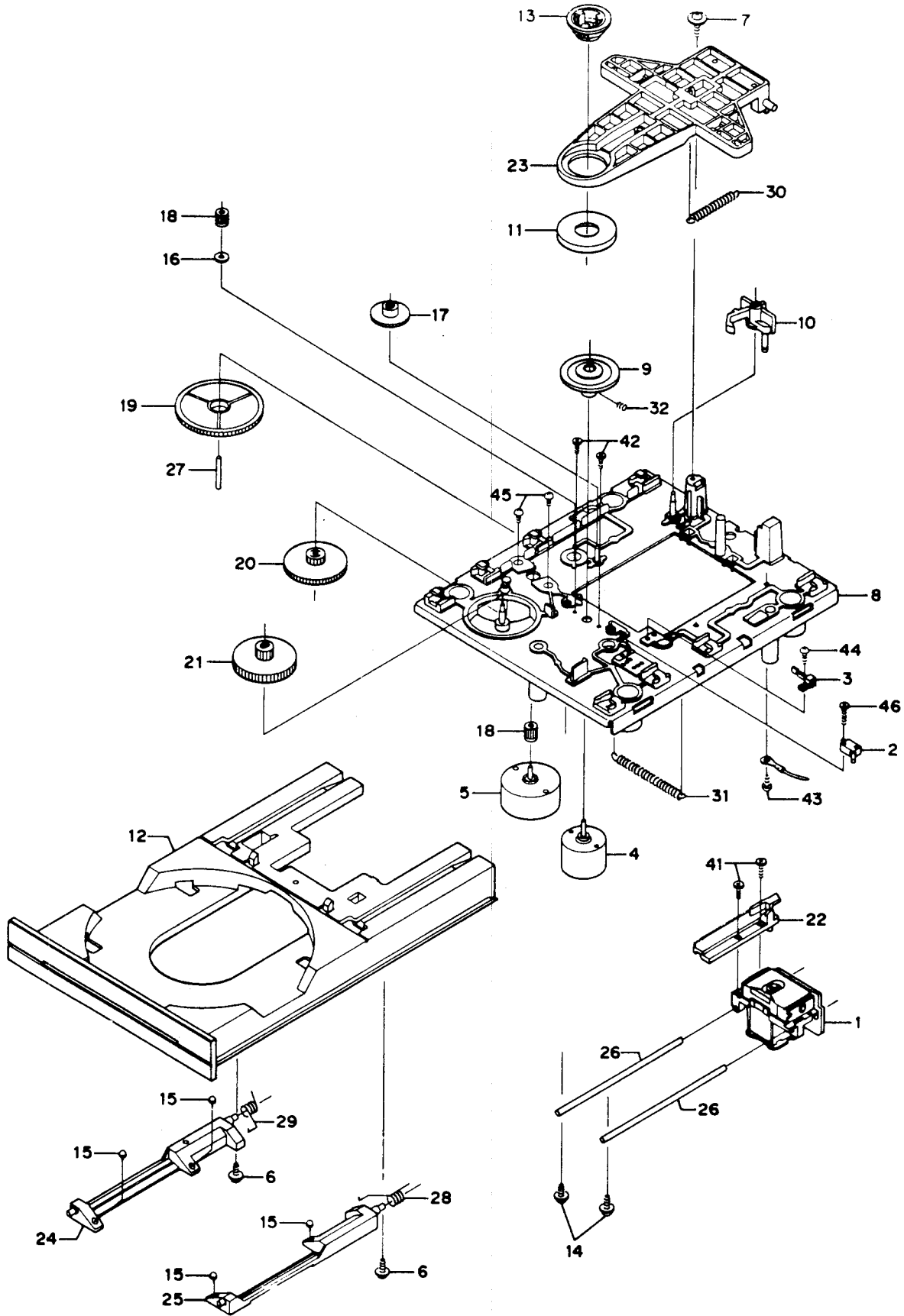
| Ref. No. | Part No.   | Description                  | Notes |
|----------|------------|------------------------------|-------|
| 23       | ES-726489J | SW LEAF MSW-1541T            |       |
| 35       | ML-717787  | ARM PINCH ROLLER<br>PART R/P |       |
| 39       | ML-728768J | RF PULLEY ARM ASSY           |       |
| 42       | MB-726455J | BELT RF                      |       |
| 43       | BF-717792  | FLYWHEEL PART P              |       |
| 44       | BF-717793  | FLYWHEEL ASSY                |       |
| 47       | MI-726456J | GEAR TAKE-UP                 |       |
| 49       | MI-725793J | GEAR FF                      |       |
| 51       | BR-726505J | SUPPLY REEL ASSY             |       |
| 52       | BR-719570  | SUPPLY REEL ASSY             |       |
| 58       | MR-728769J | PULLEY MOTOR                 |       |
| 59       | MB-721445  | BELT MAIN                    |       |
| 65       | HP-728770J | HEAD P                       |       |
| 66       | HR-728771J | HEAD R/P                     |       |
| 67       | HE-728772J | HEAD E                       |       |
| 68       | BM-372052  | MOTOR EG-500YD-2B            |       |
| 80       | MB-717803  | BELT MAIN                    |       |

**NOTE:**

Parts will not be supplied if they are not listed in the parts list, even if they appear on the assembling illustrations with reference No.

For Service Manuals Contact  
**MAURITRON TECHNICAL SERVICES**  
8 Cherry Tree Rd, Chinnor  
Oxon OX9 4QY  
Tel: 01844-351694 Fax: 01844-352554  
Email: enquiries@mauritron.co.uk

# CD MECHA BLOCK



**NOTE:**

Parts will not be supplied if they are not listed in the parts list, even if they appear on the assembling illustrations with reference No.

## 4. CD MECHA BLOCK

| Ref. No. | Part No.   | Description          | Notes |
|----------|------------|----------------------|-------|
| 1        | BO-728643K | PICK UP ASSY SF-88   |       |
| 2        | ES-728644K | SW LEVER 1P1T        |       |
| 3        | ES-728645K | SW LEAF              |       |
| 4        | BM-728646K | MOTOR SPINDLE        |       |
| 5        | BM-728647K | MOTOR LOADING        |       |
| 18       | MZ-728657K | GEAR MOTOR           |       |
| 50       | BB-728671K | CD MECHA BLK AC-M370 |       |

## 5. P.C BOARD BLOCK

| REF. NO. | PART-NO.   | DESCRIPTION                             | NOTES |
|----------|------------|---|-------|
| 1A       | BA-728637K | PC MAIN BLK AC-M370L                    | (B)   |
| 1B       | BA-729265K | PC MAIN BLK AC-M370<br>(FOR AUSTRALIA)  | (S,E) |
| 2A       | BA-728638K | PC TUNER BLK AC-M370L                   | (B,E) |
| 2B       | BA-729266K | PC TUNER BLK AC-M370<br>(FM/AM 2 BAND)  | (S)   |
| 3A       | BA-728639K | PC POWER SUPPLY BLK<br>AC-M370L         | (B)   |
| 3B       | BA-729267K | PC POWER BLK AC-M370<br>(FOR AUSTRALIA) | (S,E) |
| 4        | BA-728640K | PC CD MAIN BLK AC-M370L                 |       |

## 6. MAIN P.C BOARD

| Ref. No. | Part No.   | Description                  | Notes                           |
|----------|------------|------------------------------|---------------------------------|
| D401     | ED-511907  | D SILICON 1N4002<br>100/1.0A |                                 |
| D450     | ED-624903  | D SILICON H 1S2473           | (E,S)                           |
| D452     | ED-624903  | D SILICON H 1S2473           | (E,S)                           |
| D903     | ED-624903  | D SILICON H 1S2473           | (B)                             |
| D904     | ED-624903  | D SILICON H 1S2473           | (B)                             |
| D905     | ED-624903  | D SILICON H 1S2473           | (B)                             |
| D906     | ED-624903  | D SILICON H 1S2473           | (B)                             |
| D907     | ED-624903  | D SILICON H 1S2473           | (B)                             |
| D908     | ED-624903  | D SILICON H 1S2473           | (B)                             |
| D909     | ED-624903  | D SILICON H 1S2473           | (B)                             |
| D909-1   | ED-624903  | D SILICON H 1S2473           |                                 |
| D920     | ED-624903  | D SILICON H 1S2473           | (B)                             |
| D940     | ED-384533J | D ZENER H 05AZ5.1-Y          | (B)                             |
| D951     | ED-624903  | D SILICON H 1S2473           |                                 |
| D952     | ED-624903  | D SILICON H 1S2473           |                                 |
| D953     | ED-624903  | D SILICON H 1S2473           |                                 |
| D954     | ED-624903  | D SILICON H 1S2473           |                                 |
| D955     | ED-624903  | D SILICON H 1S2473           |                                 |
| D956     | ED-624903  | D SILICON H 1S2473           |                                 |
| D957     | ED-624903  | D SILICON H 1S2473           |                                 |
| D958     | ED-624903  | D SILICON H 1S2473           |                                 |
| IC401    | EI-728681K | IC LA3246                    |                                 |
| IC431    | EI-728682K | IC KA22241                   |                                 |
| IC501    | EI-728683K | IC KA2221                    |                                 |
| IC801    | EI-728685K | IC TC9149P                   | (B)                             |
| IC802    | EI-361638  | IC TC9153AP                  | (B)                             |
| Q431     | ET-725885K | TR KTC1815 Y                 |                                 |
| Q903     | ET-725885K | TR KTC1815 Y                 | (B)                             |
| Q904     | ET-725885K | TR KTC1815 Y                 | (B)                             |
| Q905     | ET-725885K | TR KTC1815 Y                 | (B)                             |
| Q908     | ET-725885K | TR KTC1815 Y                 | (B)                             |
| Q909     | ET-725885K | TR KTC1815 Y                 | (B)                             |
| Q910     | ET-726419K | TR KTC2120 Y                 |                                 |
| Q911     | ET-726419K | TR KTC2120 Y                 |                                 |
| SVR401   | EV-702567  | R S-FIX H TT24R 202          |                                 |
| SVR402   | EV-749777  | R S-FIX H TT24R 502          |                                 |
| S505A    | ES-728700K | SW PUSH TR23264383 6KEY      | (B,E) (INPUT<br>SELECTOR<br>SW) |
| S505B    | ES-729264K | SW PUSH TR23254387 5KEY      | (S) (INPUT<br>SELECTOR<br>SW)   |

| Ref. No. | Part No.   | Description   | Notes |
|----------|------------|---|-------|
| F1,2     | *EF-623125 | FUSE <sub>A</sub> SEMKO <sub>A</sub> T <sub>A</sub> 250V <sub>A</sub> 2.50A | (E,S) |
| F1,2     | *EF-364518 | FUSE <sub>A</sub> BET <sub>A</sub> T <sub>A</sub> 250V <sub>A</sub> 2.50A   | (B)   |
| F3 to 8  | *EF-623103 | FUSE <sub>A</sub> SEMKO <sub>A</sub> T <sub>A</sub> 250V <sub>A</sub> 1.00A | (E,S) |
| F3 to 8  | *EF-355226 | FUSE <sub>A</sub> BET <sub>A</sub> T <sub>A</sub> 250V <sub>A</sub> 1.00A   | (B)   |

## 7. FRONT P.C BOARD

| Ref. No. | Part No.   | Description                             | Notes            |
|----------|------------|---|------------------|
| D701     | ED-728688K | D LED DLR-503T RED                      |                  |
| D702     | ED-728688K | D LED DLR-503T RED                      |                  |
| D703     | ED-728688K | D LED DLR-503T RED                      |                  |
| D704     | ED-728688K | D LED DLR-503T RED                      |                  |
| D705     | ED-728688K | D LED DLR-503T RED                      |                  |
| D706     | ED-728688K | D LED DLR-503T RED                      |                  |
| D707     | ED-728688K | D LED DLR-503T RED                      |                  |
| D708     | ED-728688K | D LED DLR-503T RED                      |                  |
| D709     | ED-728688K | D LED DLR-503T RED                      |                  |
| D710     | ED-728688K | D LED DLR-503T RED                      |                  |
| IC701    | EI-628684K | IC KA2281                               |                  |
| IC702    | EI-728686K | IC KA4558C                              | (B)              |
| Q501     | ET-725885K | TR KTC1815 Y                            |                  |
| Q502     | ET-725885K | TR KTC1815 Y                            |                  |
| Q503     | ET-725885K | TR KTC1815 Y                            |                  |
| Q504     | ET-725885K | TR KTC1815 Y                            |                  |
| Q901     | ET-725885K | TR KTC1815 Y                            |                  |
| Q902     | ET-725885K | TR KTC1815 Y                            |                  |
| S301     | ES-728699K | SW TACT                                 | (MEMORY)<br>(1)  |
| S302     | ES-728699K | SW TACT                                 | (2)              |
| S303     | ES-728699K | SW TACT                                 | (3)              |
| S304     | ES-728699K | SW TACT                                 | (4)              |
| S305     | ES-728699K | SW TACT                                 | (5)              |
| S306     | ES-728699K | SW TACT                                 | (TUNING<br>DOWN) |
| S307     | ES-728699K | SW TACT                                 | (TUNING<br>UP)   |
| S308     | ES-728699K | SW TACT                                 | (100HZ)          |
| VR501    | EV-728093K | VR SLIDE VJ-3031-<br>2GPNV-20BH 104 x 2 | (330HZ)          |
| VR502    | EV-728093K | VR SLIDE VJ-3031-<br>2GPNV-20BH 104 x 2 | (1KHZ)           |
| VR503    | EV-728093K | VR SLIDE VJ-3031-<br>2GPNV-20BH 104 x 2 | (3.3KHZ)         |
| VR504    | EV-728093K | VR SLIDE VJ-3031-<br>2GPNV-20BH 104 x 2 | (10KHZ)          |
| VR505    | EV-728093K | VR SLIDE VJ-3031-<br>2GPNV-20BH 104 x 2 | (BALANCE)        |
| VR506    | EV-728708K | VR SLIDE VJ-3031-<br>2GPNV-20BH 104     | (VOLUME)         |
| VR507    | EV-728707K | VR SLIDE VJ-3031-<br>2GPNV-15C 503      |                  |

## 8. MIC JACK P.C BOARD

| Ref. No. | Part No.   | Description       | Notes      |
|----------|------------|-------------------|------------|
| JK501    | EJ-728710K | PHONE J HYT80-065 | (MIC JACK) |
| Q505     | ET-725885K | TR KTC1815 Y      |            |

For Service Manuals Contact  
**MAURITRON TECHNICAL SERVICES**  
 8 Cherry Tree Rd, Chinnor  
 Oxon OX9 4QY  
 Tel: 01844-351694 Fax: 01844-352554  
 Email: enquiries@mauritron.co.uk

## 9. PHONE JACK P.C. BOARD

| Ref. No. | Part No.   | Description       | Notes            |
|----------|------------|-------------------|------------------|
| JK601    | EJ-728709K | PHONE J HYT60-065 | (HEAD-<br>PHONE) |

## 10. ANT P.C BOARD

| Ref. No. | Part No.   | Description        | Notes             |
|----------|------------|--------------------|-------------------|
| D001     | ED-624903  | D SILICON H 1S2473 |                   |
| TM1      | EJ-728712K | ANT TERMINAL       | (ANT<br>TERMINAL) |

## 11. LED P.C BOARD

| Ref. No. | Part No.   | Description          | Notes    |
|----------|------------|----------------------|----------|
| D201     | ED-728688K | D LED DLR-503T RED   | (STEREO) |
| D202     | ED-728689K | D LED DLG-503T GREEN | (TUNING) |

## 12. REC LED P.C BOARD

| Ref. No. | Part No.   | Description         | Notes |
|----------|------------|---------------------|-------|
| D431     | ED-728690K | D LED DLR-1503D RED | (REC) |

## 13. POWER SW P.C BOARD

| Ref. No. | Part No.    | Description    | Notes         |
|----------|-------------|----------------|---------------|
| S801     | *ES-728706K | SW PUSH SDL-1P | (POWER<br>SW) |

## 14. TUNER P.C BOARD

| Ref. No. | Part No.   | Description         | Notes |
|----------|------------|---------------------|-------|
| C001     | EC-728091K | C S-FIX H 15P       |       |
| C002     | EC-728091K | C S-FIX H 15P       |       |
| C003     | EC-728092K | C S-FIX H 30P       | (B,E) |
| D002     | ED-728691K | D VARACTOR 1SV101   |       |
| D003     | ED-728691K | D VARACTOR 1SV101   |       |
| D004     | ED-624903  | D SILICON H 1S2473  |       |
| D101     | ED-728692K | D VARACTOR 1SV149-A |       |
| D102     | ED-728692K | D VARACTOR 1SV149-A | (B,E) |
| D103     | ED-728692K | D VARACTOR 1SV149-A |       |
| D104     | ED-728692K | D VARACTOR 1SV149-A | (B,E) |
| D203     | ED-624903  | D SILICON H 1S2473  |       |
| D204     | ED-624903  | D SILICON H 1S2473  |       |
| D301     | ED-624903  | D SILICON H 1S2473  |       |
| D302     | ED-624903  | D SILICON H 1S2473  |       |
| D303     | ED-624903  | D SILICON H 1S2473  |       |
| D304     | ED-624903  | D SILICON H 1S2473  | (B,E) |
| D305     | ED-624903  | D SILICON H 1S2473  |       |
| D306     | ED-624903  | D SILICON H 1S2473  |       |
| D307     | ED-624903  | D SILICON H 1S2473  |       |
| D308     | ED-624903  | D SILICON H 1S2473  |       |
| D312     | ED-624903  | D SILICON H 1S2473  |       |
| D313     | ED-624903  | D SILICON H 1S2473  |       |
| D314     | ED-624903  | D SILICON H 1S2473  | (B,E) |
| D315     | ED-624903  | D SILICON H 1S2473  |       |
| D316     | ED-624903  | D SILICON H 1S2473  |       |
| D317     | ED-624903  | D SILICON H 1S2473  |       |
| D318     | ED-384543J | D ZENER H 05AZ6.2-Z |       |
| D319     | ED-384550J | D ZENER H 05AZ7.5-Z |       |
| D320     | ED-624903  | D SILICON H 1S2473  |       |
| D321     | ED-624903  | D SILICON H 1S2473  | (B,E) |
| D322     | ED-624903  | D SILICON H 1S2473  |       |
| D323     | ED-624903  | D SILICON H 1S2473  | (B,E) |
| IC001    | EI-713319  | IC TA7358AP         |       |
| IC101    | EI-728678K | IC TA7758P          |       |

| Ref. No. | Part No.   | Description             | Notes                |
|----------|------------|-------------------------|----------------------|
| IC201    | EI-359683  | IC TA7343AP             |                      |
| IC301    | EI-728679K | IC TC9302AF-008-BS      |                      |
| IC302    | EI-363289  | IC TC9172P              |                      |
| L001     | EO-728727K | COIL FM RF AFR-022      |                      |
| L002     | EO-728726K | COIL FM OSC AFO-016     |                      |
| L003     | EO-728728K | COIL CHOKE 2R2K         |                      |
| L101     | EO-728728K | COIL CHOKE 2R2K         |                      |
| L431     | EO-728729K | COIL 16MH               |                      |
| L432     | EO-728729K | COIL 16MH               |                      |
| L433     | EO-728730K | COIL 85KHZ 191011       |                      |
| Q001     | ET-728674K | TR KTC1923 O            |                      |
| Q101     | ET-363326  | TR FET 2SK161 GR        |                      |
| Q102     | ET-728746K | TR KTC1815 GR           | (B,E)                |
| Q103     | ET-728746K | TR KTC1815 GR           |                      |
| Q104     | ET-728675K | TR KTC2878 Y            |                      |
| Q105     | ET-728675K | TR KTC2878 Y            | (B,E)                |
| Q201     | ET-728746K | TR KTC1815 GR           |                      |
| Q202     | ET-728746K | TR KTC1815 GR           |                      |
| Q203     | ET-728750K | TR KTA1015 GR           |                      |
| Q301     | ET-728746K | TR KTC1815 GR           |                      |
| Q302     | ET-728746K | TR KTC1815 GR           |                      |
| Q303     | ET-728746K | TR KTC1815 GR           |                      |
| Q304     | ET-728746K | TR KTC1815 GR           |                      |
| Q305     | ET-728746K | TR KTC1815 GR           | (B,E)                |
| Q306     | ET-728746K | TR KTC1815 GR           |                      |
| Q308     | ET-726419K | TR KTC2120 Y            |                      |
| SW       | ES-728702K | SW PUSH R2100454        | (MO/ST,<br>BEAT CUT) |
| SVR203   | EV-702569  | R S-FIX H TT24R 103     |                      |
| T001     | EO-728723K | COIL FM IF AFA-004      |                      |
| T101     | EO-728721K | COIL AM IF AAA-010      |                      |
| T102     | EO-728724K | COIL FM IF AFD-006      |                      |
| T103     | EO-728722K | COIL AM DET AAD-003     |                      |
| T104     | EO-728718K | COIL OSC MW AAO-019     |                      |
| T105     | EO-728719K | COIL OSC LW AAO-020     | (B,E)                |
| T106     | EO-728715K | COIL MW ANT AAT-035     |                      |
| T107     | EO-728716K | COIL LW ANT AAT-030     | (B,E)                |
| T108     | EO-728725K | COIL LPF AFL-002        |                      |
| Z001     | EH-728714K | FILTER BPF BPMB6A       |                      |
| Z101     | EH-355568  | FILTER CE SFE10.7MS2G-A |                      |
| Z102     | EH-355568  | FILTER CE SFE10.7MS2G-A |                      |
| Z103     | EH-344435  | FILTER CE SFU450B9      |                      |
|          |            | 0.450MHZ                |                      |
| Z302     | EI-344422  | OSC X'TAL HC-18/U       |                      |
|          |            | 7.200MHZ                |                      |
| Z303     | EM-728693K | IND LCD HDL-7109-       |                      |
|          |            | 5A2POQSA                |                      |
| LAMP     | EM-728698K | PL PL-12CLR110T         |                      |

## 15. POWER SUPPLY P.C BOARD

| Ref. No. | Part No.    | Description        | Notes |
|----------|-------------|--------------------|-------|
| D640     | ED-624903   | D SILICON H 1S2473 |       |
| D640-1   | ED-624903   | D SILICON H 1S2473 |       |
| D801     | *ED-728687K | D SILICON H RL-203 |       |
| D802     | *ED-728687K | D SILICON H RL-203 |       |
| D803     | *ED-728687K | D SILICON H RL-203 |       |
| D804     | *ED-728687K | D SILICON H RL-203 |       |
| D805     | *ED-511907  | D SILICON 1N4002   |       |
|          |             | 100/1.0A           |       |
| D806     | *ED-511907  | D SILICON 1N4002   |       |
|          |             | 100/1.0A           |       |
| D807     | *ED-511907  | D SILICON 1N4002   |       |
|          |             | 100/1.0A           |       |
| D808     | *ED-511907  | D SILICON 1N4002   |       |
|          |             | 100/1.0A           |       |
| D809     | *ED-511907  | D SILICON 1N4002   |       |
|          |             | 100/1.0A           |       |
| D810     | *ED-511907  | D SILICON 1N4002   |       |
|          |             | 100/1.0A           |       |
| D811     | *ED-511907  | D SILICON 1N4002   |       |
|          |             | 100/1.0A           |       |
| D812     | *ED-511907  | D SILICON 1N4002   |       |
|          |             | 100/1.0A           |       |
| D813     | ED-362911   | D ZENER H 05AZ13-Y |       |

For Service Manuals Contact  
**MAURITRON TECHNICAL SERVICES**  
 8 Cherry Tree Rd, Chinnor  
 Oxon OX9 4QY  
 Tel:- 01844-351694 Fax:- 01844-352554  
 Email:- enquiries@mauratron.co.uk

| Ref. No. | Part No.    | Description        | Notes | Ref. No. | Part No.    | Description           | Notes  |
|----------|-------------|--------------------|-------|----------|-------------|-----------------------|--|
| D814     | ED-302311   | D ZENER H 05A213 Y | (B)   | D202     | ED-307572   | D SILICON H 1SS131    |  |
| D815     | ED-624903   | D SILICON H 1S2473 |       | D203     | ED-311852   | D SILICON H 1S2471    |  |
| D816     | ED-624903   | D SILICON H 1S2473 |       | D204     | ED-307572   | D SILICON H 1SS131    |  |
| D817     | ED-511907   | D SILICON H 1S2473 |       | D205     | ED-307572   | D SILICON H 1SS131    |  |
| IC601    | *EI-728680K | IC STA4132.2       |       | D206     | ED-307572   | D SILICON H 1SS131    |  |
| Q605     | ET-725885K  | TR KTA1015 Y       |       | D207     | ED-307572   | D SILICON H 1SS131    |  |
| Q606     | ET-728673K  | TR KTA1015 Y       |       | D208     | ED-307572   | D SILICON H 1SS131    |  |
| Q607     | ET-725885K  | TR KTA1015 Y       | (B)   | D209     | ED-307572   | D SILICON H 1SS131    |  |
| Q608     | ET-725885K  | TR KTA1015 Y       | (B)   | D210     | ED-307572   | D SILICON H 1SS131    |  |
| Q609     | ET-725885K  | TR KTA1015 Y       |       | D211     | ED-307572   | D SILICON H 1SS131    |  |
| Q801     | ET-725885K  | TR KTA1015 Y       |       | D212     | ED-307572   | D SILICON H 1SS131    |  |
| Q802     | ET-725885K  | TR KTA1015 Y       |       | D213     | ED-307572   | D SILICON H 1SS131    |  |
| Q803     | ET-728672K  | TR KTA1015 Y       | (B)   | D214     | ED-311852   | D SILICON H 1S2471    |  |
| Q804     | ET-728672K  | TR KTA1015 Y       |       | D215     | ED-307572   | D SILICON H 1SS131    |  |
| Q804.1   | ET-728672K  | TR KTA1015 Y       |       | D216     | ED-307572   | D SILICON H 1SS131    |  |
| Q805     | ET-728676K  | TR KTA1015 Y       |       | D217     | ED-311852   | D SILICON H 1S2471    |  |
| Q806     | ET-725885K  | TR KTA1015 Y       |       | D220     | ED-728751K  | D SILICON H 1S2471    |  |
| Q807     | ET-728672K  | TR KTA1015 Y       |       | D231     | ED-307572   | D SILICON H 1SS131    |  |
| Q808     | ET-728672K  | TR KTA1015 Y       | (B)   | D232     | ED-307572   | D SILICON H 1SS131    |  |
| Q809     | ET-728672K  | TR KTA1015 Y       |       | D233     | ED-307572   | D SILICON H 1SS131    |  |
| Q810     | ET-725885K  | TR KTA1015 Y       |       | D234     | ED-307572   | D SILICON H 1SS131    |  |
| Q811     | ET-728672K  | TR KTA1015 Y       |       | IC201    | EL-728740K  | IC LA9200NM           |  |
| R803     | ER-728897K  | R OMF H 3W 330     |       | IC202    | EI-728741K  | IC LC7869N            |  |
|          |             |                    |       | IC204    | EI-748743K  | IC FA5205P            |  |
|          |             |                    |       | IC205    | EI-362251J  | IC LC35178S-15        |  |
|          |             |                    |       | IC206    | EI-728744K  | IC M50930-440F3N      |  |
|          |             |                    |       | IC207    | EI-728745K  | IC LA6462S            |  |
|          |             |                    |       | IC208    | EI-728745K  | IC LA6462S            |  |
|          |             |                    |       | IC211    | EI-367185   | IC TA78LO06AP         |  |
|          |             |                    |       | IC212    | EI-333695   | IC NJM78LO5A          |  |
|          |             |                    |       | IC213    | EI-367186   | IC TA78LO06P          |  |
|          |             |                    |       | L201     | EH-728764K  | FILTER FTZ            |  |
|          |             |                    |       | L202     | EH-728764K  | FILTER FTZ            |  |
|          |             |                    |       | L203     | EH-728764K  | FILTER FTZ            |  |
|          |             |                    |       | LAMP     | EM-728765K  | PL 15W 110MA          |  |
|          |             |                    |       | LCD      | EM-728767K  | IND LCD FID8793       |  |
|          |             |                    |       | P202     | EV-728756K  | R S-FIX H RH0615C 104 | (FOCUS GAIN) (E/F BALANCE)                     |
|          |             |                    |       | P203     | EV-728757K  | R S-FIX H RH0615C 104 | (TRACKING GAIN) (TRACKING OFF-SET) (KICK GAIN) |
|          |             |                    |       | P204     | EV-728758K  | R S-FIX H RH0615C 203 |  |
|          |             |                    |       | P205     | EV-728758K  | R S-FIX H RH0615C 203 |  |
|          |             |                    |       | P206     | EV-728757K  | R S-FIX H RH0615C 104 |  |
|          |             |                    |       | Q201     | ET-728746K  | TR KTA1015 GR         |  |
|          |             |                    |       | Q202     | ET-728747K  | TR 2SD1227-M          |  |
|          |             |                    |       | Q203     | ET-748748K  | TR KSR1003            |  |
|          |             |                    |       | Q204     | ET-728749K  | TR KSR1003            |  |
|          |             |                    |       | Q205     | ET-347961   | TR 2SD1012-V G F05    |  |
|          |             |                    |       | Q206     | ET-728749K  | TR KSR1003            |  |
|          |             |                    |       | Q207     | ET-728749K  | TR KSR1003            |  |
|          |             |                    |       | Q208     | ET-728749K  | TR KSR1003            |  |
|          |             |                    |       | Q209     | ET-347961   | TR 2SD1012-V G F05    |  |
|          |             |                    |       | Q210     | ET-347961   | TR 2SD1012-V G F05    |  |
|          |             |                    |       | Q211     | ET-347961   | TR 2SD1012-V G F05    |  |
|          |             |                    |       | Q212     | ET-347961   | TR 2SD1012-V G F05    |  |
|          |             |                    |       | Q213     | ET-728746K  | TR KTA1015 GR         |  |
|          |             |                    |       | Q214     | ET-728750K  | TR KTA1015 GR         |  |
|          |             |                    |       | Q215     | ET-728750K  | TR KTA1015 GR         |  |
|          |             |                    |       | Q216     | ET-728750K  | TR KTA1015 GR         |  |
|          |             |                    |       | Q221     | ET-728749K  | TR KSR1003            |  |
|          |             |                    |       | Q224     | ET-372030   | TR DTA144EF           |  |
|          |             |                    |       | Q230     | ET-728749K  | TR KSR1003            |  |
|          |             |                    |       | R8201    | EH-728754K  | R COMP RS103          |  |
|          |             |                    |       | R304     | *ER-728752K | R FUSE 1/4W 100J      |  |
|          |             |                    |       | R305     | *ER-728753K | R FUSE 1/2W 100J      |  |
|          |             |                    |       | R306     | *ER-728753K | R FUSE 1/4W 100J      |  |
|          |             |                    |       | R307     | *ER-728753K | R FUSE 1/4W 100J      |  |
|          |             |                    |       | R308     | *ER-728753K | R FUSE 1/2W 100J      |  |
|          |             |                    |       | R309     | *ER-728753K | R FUSE 1/2W 100J      |  |
|          |             |                    |       | SW1      | ES-728766K  | SW TACT SKHPE-15912   | (OPEN/CLOSE)                                   |
|          |             |                    |       | SW2      | ES-728766K  | SW TACT SKHPE-15912   | (STOP)   |
|          |             |                    |       | SW3      | ES-728766K  | SW TACT SKHPE-15912   | (PAUSE)  |

| Ref. No. | Part No.    | Description        | Notes |
|----------|-------------|--------------------|-------|
| D814     | ED-302311   | D ZENER H 05A213 Y | (B)   |
| D815     | ED-624903   | D SILICON H 1S2473 |       |
| D816     | ED-624903   | D SILICON H 1S2473 |       |
| D817     | ED-511907   | D SILICON H 1S2473 |       |
| IC601    | *EI-728680K | IC STA4132.2       |       |
| Q605     | ET-725885K  | TR KTA1015 Y       |       |
| Q606     | ET-728673K  | TR KTA1015 Y       |       |
| Q607     | ET-725885K  | TR KTA1015 Y       | (B)   |
| Q608     | ET-725885K  | TR KTA1015 Y       | (B)   |
| Q609     | ET-725885K  | TR KTA1015 Y       |       |
| Q801     | ET-725885K  | TR KTA1015 Y       |       |
| Q802     | ET-725885K  | TR KTA1015 Y       |       |
| Q803     | ET-728672K  | TR KTA1015 Y       | (B)   |
| Q804     | ET-728672K  | TR KTA1015 Y       |       |
| Q804.1   | ET-728672K  | TR KTA1015 Y       |       |
| Q805     | ET-728676K  | TR KTA1015 Y       |       |
| Q806     | ET-725885K  | TR KTA1015 Y       |       |
| Q807     | ET-728672K  | TR KTA1015 Y       |       |
| Q808     | ET-728672K  | TR KTA1015 Y       | (B)   |
| Q809     | ET-728672K  | TR KTA1015 Y       |       |
| Q810     | ET-725885K  | TR KTA1015 Y       |       |
| Q811     | ET-728672K  | TR KTA1015 Y       |       |
| R803     | ER-728897K  | R OMF H 3W 330     |       |

**16. REC/PB SW P.C BOARD**

| Ref. No. | Part No.   | Description        | Notes       |
|----------|------------|--------------------|-------------|
| Q450     | ET-728673K | TR KTA1015 Y       |             |
| Q450-1   | ET-725885K | TR KTA1015 Y       |             |
| Q450-2   | ET-725885K | TR KTA1015 Y       |             |
| Q450-3   | ET-725885K | TR KTA1015 Y       |             |
| SW403    | ES-728705K | SW SLIDE T00620006 | (REC/PB SW) |

**17. TAPE SW P.C BOARD**

| Ref. No. | Part No.   | Description        | Notes           |
|----------|------------|--------------------|-----------------|
| SENSOR   | EI-383630J | IC BX-1407         |                 |
| S401     | ES-728704K | SW SLIDE 004200148 | (TAPE SELECTOR) |
| S402     | ES-728703K | SW SLIDE 004300148 | (DUBBING)       |

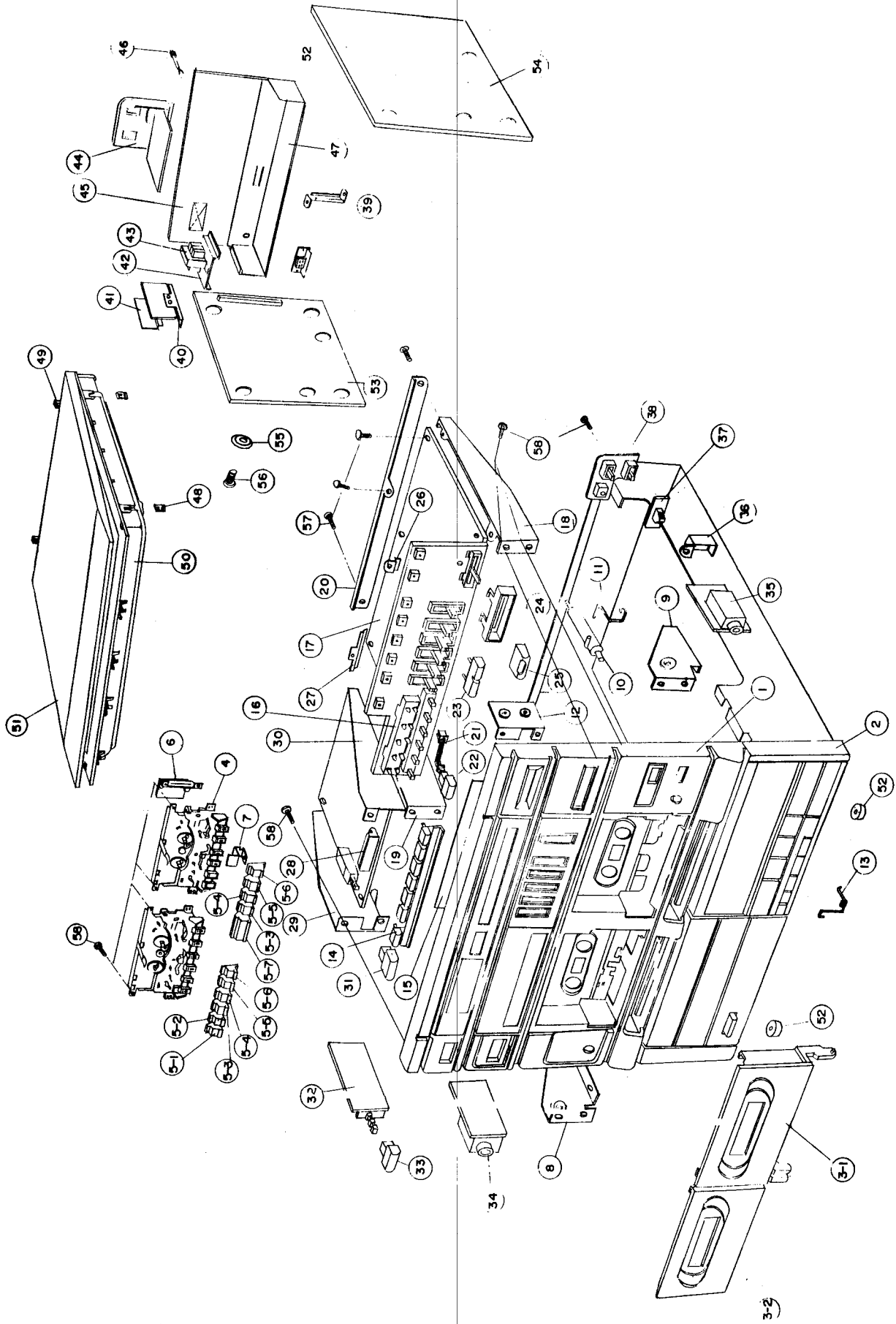
**18. RX P.C BOARD (E S ONLY)**

| Ref. No. | Part No.   | Description            | Notes |
|----------|------------|------------------------|-------|
| CSB      | EL376113   | OSC CE CSB465EB        |       |
| D201     | ED-624903  | D SILICON H 1S2473     |       |
| D202     | ED-624903  | D SILICON H 1S2473     |       |
| D204     | ED-624903  | D SILICON H 1S2473     |       |
| IC201    | EI-729262K | IC KA2107              |       |
| IC202    | EI-729263K | IC UPD1837C            |       |
| Q203     | ET-725885K | TR KTA1015 Y           |       |
| Q204     | ET-728673K | TR KTA1015 Y           |       |
| Q205     | ET-728673K | TR KTA1015 Y           |       |
| Q206     | ET-728419K | TR KTA1015 Y           |       |
| Q207     | ET-725885K | TR KTA1015 Y           |       |
| Q208     | ET-728673K | TR KTA1015 Y           |       |
| Q209     | ET-728673K | TR KTA1015 Y           |       |
| Q210     | ET-728673K | TR KTA1015 Y           |       |
| Q212     | ET-725885K | TR KTA1015 Y           |       |
| Q213     | ET-728419K | TR KTA1015 Y           |       |
| Q214     | ET-728419K | TR KTA1015 Y           |       |
| ZD201    | ED-384533J | D ZENER H 05AZ5.1-Y    |       |
| R215     | *ER-308896 | R FUSE 1/4W 250J W470J |       |

**19. CD P.C BOARD**

| Ref. No. | Part No.    | Description                     | Notes |
|----------|-------------|---------------------------------|-------|
| D201     | ED-338822-A | D VARIATOR SVC211SPA, A,B,C,D,E |       |

ASSEMBLY BLOCK





| Ref. No. | Part No.   | Description           | Notes         |
|----------|------------|-----------------------|---------------|
| SW4      | ES-728766K | SW TACT SKHHPPE-15912 | (F. FWD)      |
| SW5      | ES-728766K | SW TACT SKHHPPE-15912 | (F. BACK)     |
| SW6      | ES-728766K | SW TACT SKHHPPE-15912 | (REPEAT)      |
| SW7      | ES-728766K | SW TACT SKHHPPE-15912 | (MEMORY)      |
| SW8      | ES-728766K | SW TACT SKHHPPE-15912 | (TIME)        |
| SW9      | ES-728766K | SW TACT SKHHPPE-15912 | (SERCH/INDEX) |
| SW10     | ES-728766K | SW TACT SKHHPPE-15912 | (F. FWD)      |
| SW11     | ES-728766K | SW TACT SKHHPPE-15912 | (F. BACK)     |
| T201     | EH-728765K | FILTER RF             | (PLAY)        |
| T202     | EH-728765K | COIL OSC              |               |
| T203     | EH-728765K | FILTER                |               |
| T204     | EH-728765K | OSC X-TAL HC-49/      |               |
| X201     | EI-728762K | U 8.6436MRHZ          |               |
| X202     | EH-728763K | FILTER CE 4.32MRHZ    |               |

## 20. ASSEMBLY BLOCK

| Ref. No. | Part No.   | Description           | Notes |
|----------|------------|-----------------------|-------|
| 1A       | SP-728623K | PANEL FRONT BLK       | (B,E) |
| 1B       | SP-728628K | PANEL FRONT BLK       | (S)   |
| 2        | SP-728641K | PANEL FRONT CD        |       |
| 3-1      | SP-728625K | AC-M370/L             |       |
| 3-2      | SP-728624K | DOOR DECK-R ASSY      |       |
| 4        | BB-728695K | DOOR DECK-L ASSY      |       |
| 5-1      | SK-728632K | MECHA BLK TN-21SW-670 |       |
| 5-2      | SK-728100K | AC-M370               |       |
| 5-3      | SK-728101K | KNOB DECK REC         |       |
| 5-4      | SK-728102K | KNOB DECK PLAY S      |       |
| 5-5      | SK-728103K | KNOB DECK REW         |       |
| 5-6      | SK-728104K | KNOB DECK FF          |       |
| 5-7      | SK-728105K | KNOB DECK STOP/EJECT  |       |
|          |            | KNOB DECK PAUSE       |       |
|          |            | KNOB DECK PLAY-L      |       |

| Ref. No. | Part No.    | Description          | Notes |
|----------|-------------|----------------------|-------|
| 10       | MZ-728635K  | DAMPER ASSY          |       |
| 13       | ZS-728634K  | SP                   |       |
| 14       | SK-728629K  | KNOB PRE-SET         |       |
| 22       | SK-728629K  | KNOB FUNCTION        |       |
| 23       | SK-728627K  | KNOB UP/DOWN         |       |
| 25       | SK-728628K  | KNOB V/R             |       |
| 31       | SK-728630K  | KNOB PUSH            |       |
| 32       | SK-728630K  | KNOB V/R             |       |
| 33       | SK-728630K  | KNOB PUSH            |       |
| 37       | SK-728631K  | KNOB SELECTOR        |       |
| 43A      | *BT-728694K | TRANS POW A86-031X-V | (B)   |
| 43B      | *BT-729257K | AC-M370(L)           | (S)   |
| 43C      | *BT-729258K | TRANS POW A86-031Z-B | (S)   |
| 46A      | *EW-728713K | TRANS POW A86-031X-S | (E)   |
| 46B      | *EW-729260K | AC-M370(E)           | (B)   |
| 46C      | *EW-729261K | AC CORD AC-M370(B)   | (S)   |
| 49       | TP-728106K  | AC CORD AC-M370(S)   | (S)   |
| 51       | BC-728633K  | HINGE ASSY           | (E)   |
| 52       | SA-728636K  | DUST COVER AC-M370/L |       |
| 53       | SP-728107K  | FOOT                 |       |
| 54       | SP-728108K  | COVER SIDE L         |       |
| 55       | ZW-728109K  | COVER SIDE R         |       |
| 56       | ZS-728110K  | WASHER               |       |
| 59       | SP-728642K  | T3 8D40 x 10         |       |
| 60       | EJ-728711K  | PANEL TRAY AC-M370L  |       |
| 61       | *EF-286344  | SPEAKER TERMINAL     |       |
|          |             | FUSE SEMKO T         |       |
|          |             | 250V 800MA           |       |

## 21 ACCESSORY

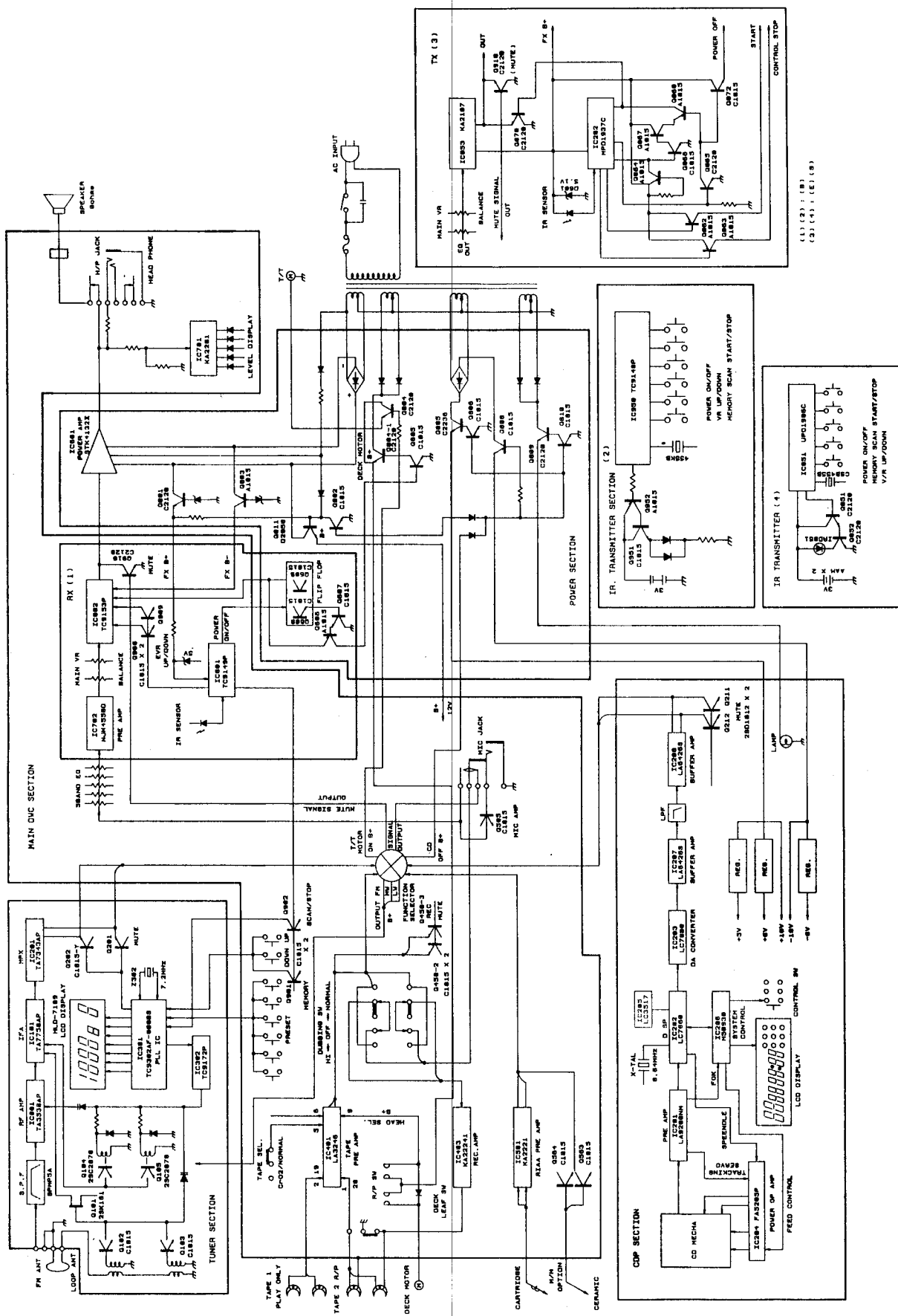
| Ref. No. | Part No.   | Description         | Notes |
|----------|------------|---------------------|-------|
| 1A       | AX-728686K | REMOTO CONTROL UNIT | (B)   |
| 1B       | AX-729259K | RC-S370             | (E,S) |
| 2        | AX-728694K | REMOTO CONT. UNIT   |       |
| 3        | AX-728695K | RC-S370(E,S)        |       |
|          |            | ANTENNA FM          |       |
|          |            | ANTENNA AM LOOP     |       |

### NOTE:

Parts will not be supplied if they are not listed in the parts list, even if they appear on the assembling illustrations with reference No.

For Service Manuals Contact  
**MAURITRON TECHNICAL SERVICES**  
 8 Cherry Tree Rd, Chinnor  
 Oxon OX9 4QY  
 Tel: 01844-351694 Fax: 01844-352554  
 Email: enquiries@maurtron.co.uk

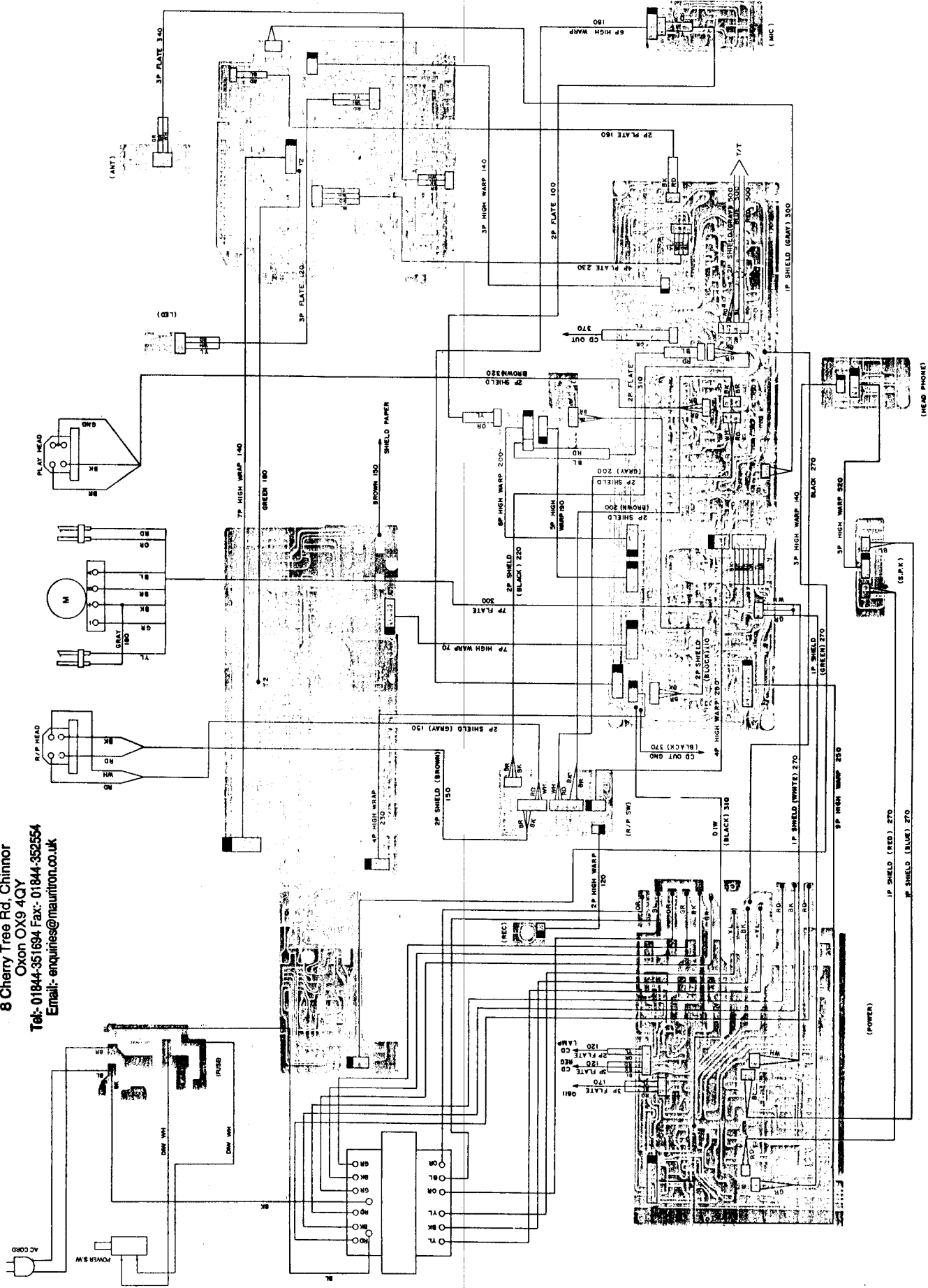
**BLOCK DIAGRAM**



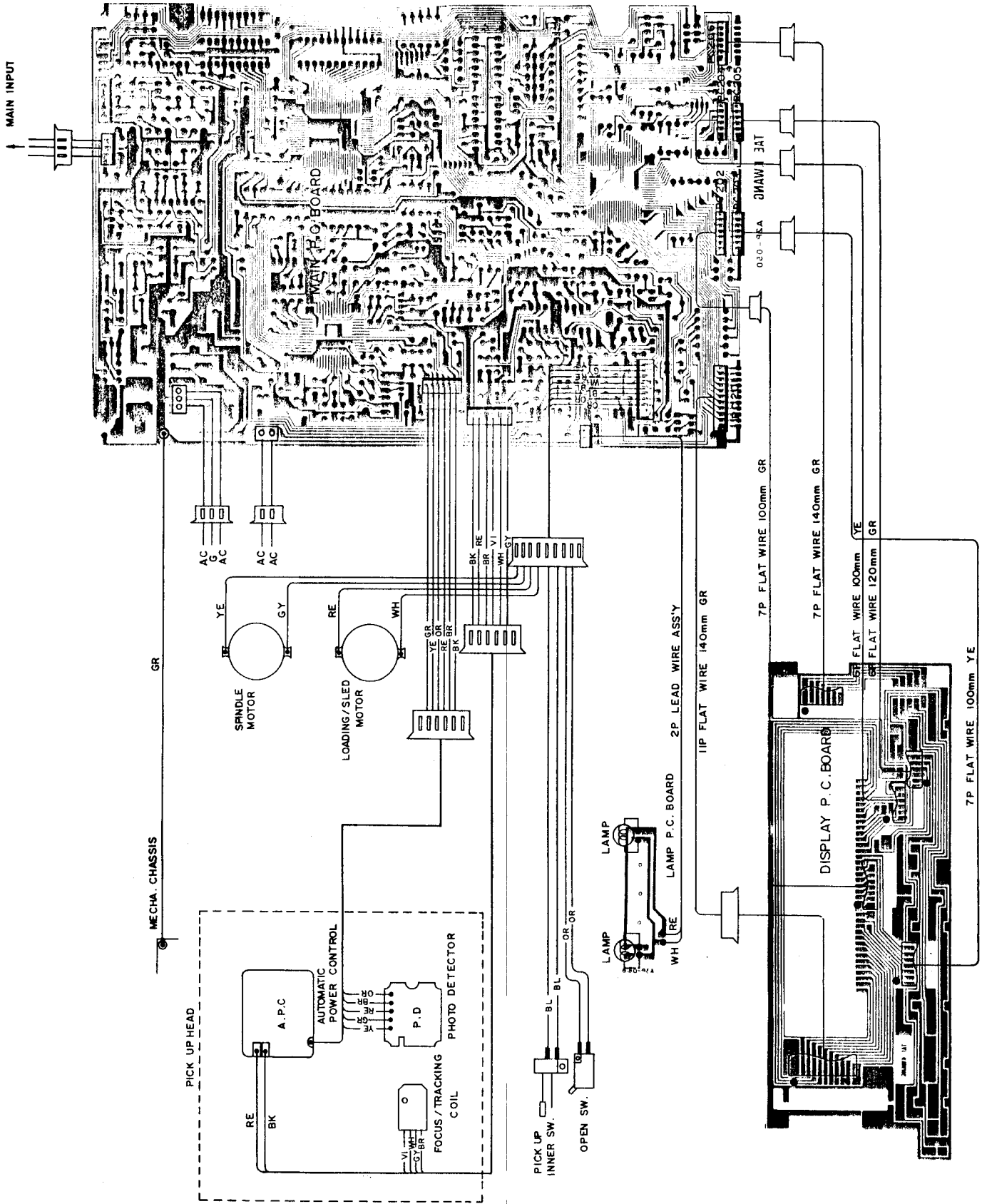
(1), (2), (3), (4), (5)

**WIRING DIAGRAM (MAIN)**

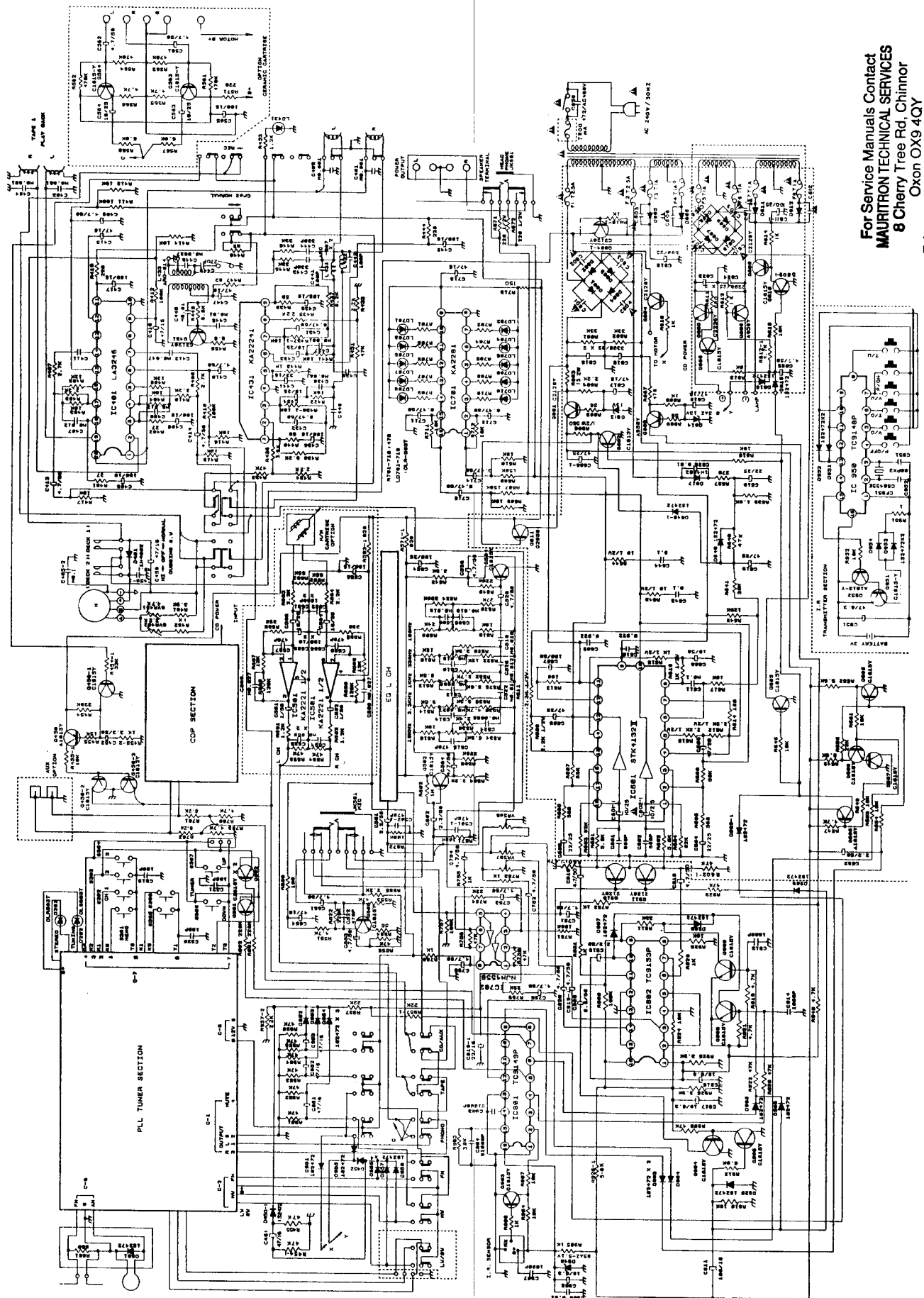
For Service Manuals Contact  
**MAURITRON TECHNICAL SERVICES**  
 8 Cherry Tree Rd, Chinnor  
 Oxon OX9 4QY  
 Tel: 01844-351694 Fax: 01844-352554  
 Email: enquires@mauritron.co.uk



WIRING DIAGRAM (CDP)

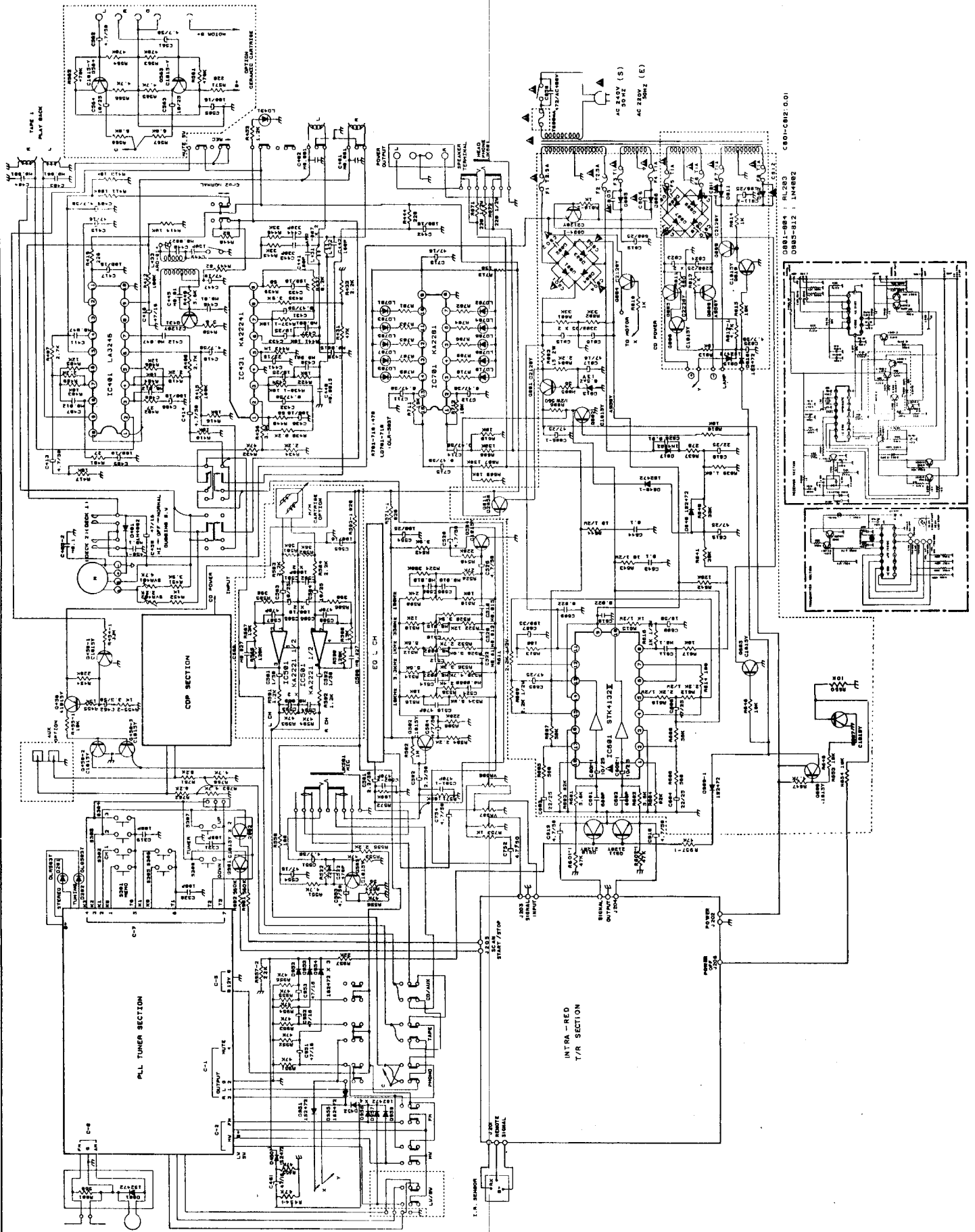


SCHEMATIC DIAGRAM (MAIN) B



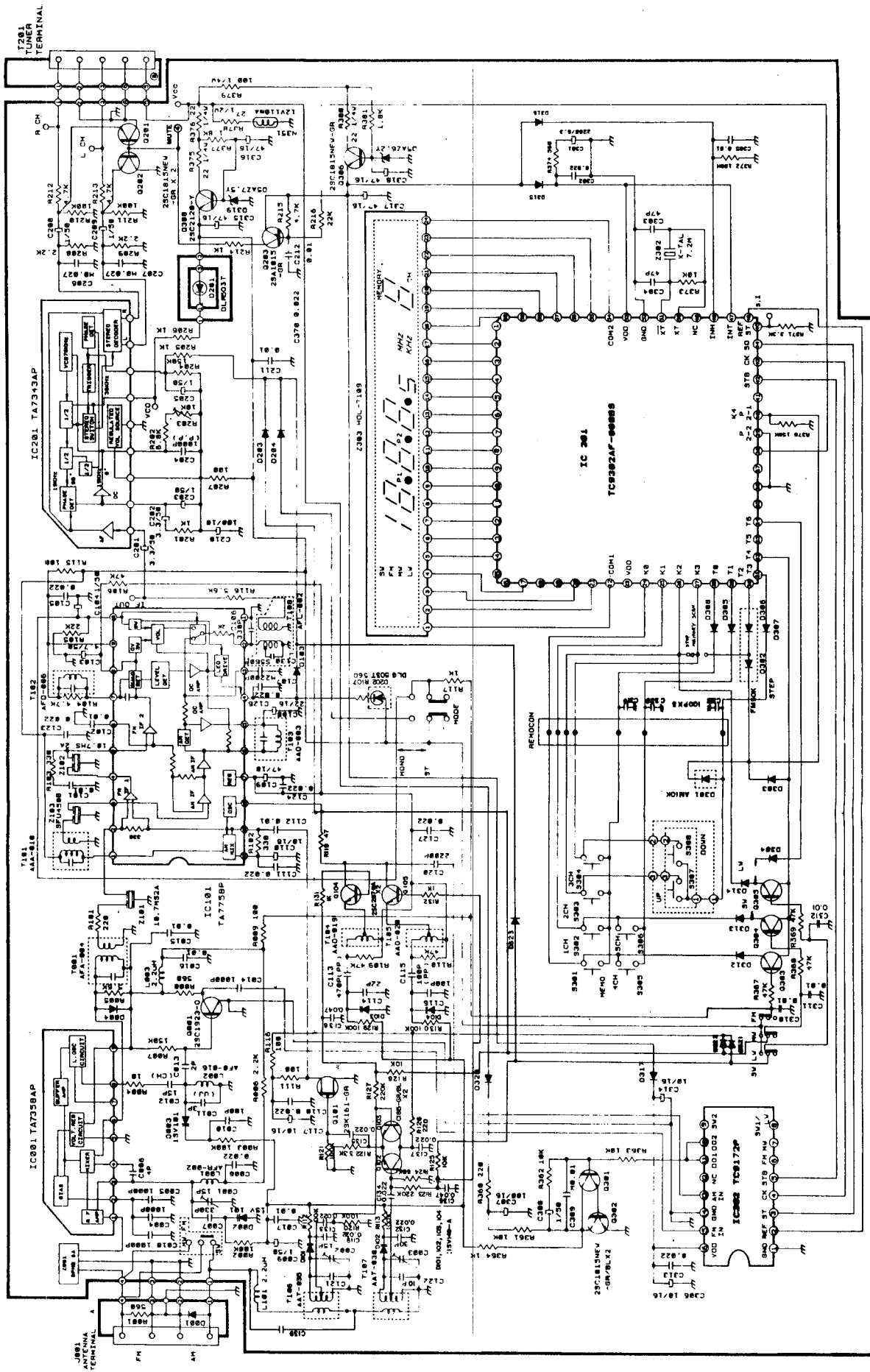
For Service Manuals Contact  
**MAURITRON TECHNICAL SERVICES**  
8 Cherry Tree Rd, Chinnor  
Oxon OX9 4QY  
Tel: 01844-351694 Fax: 01844-352554  
Email: enquiries@mauritron.co.uk

S C H E M A T I C   D I A G R A M   ( M A I N )   E   S



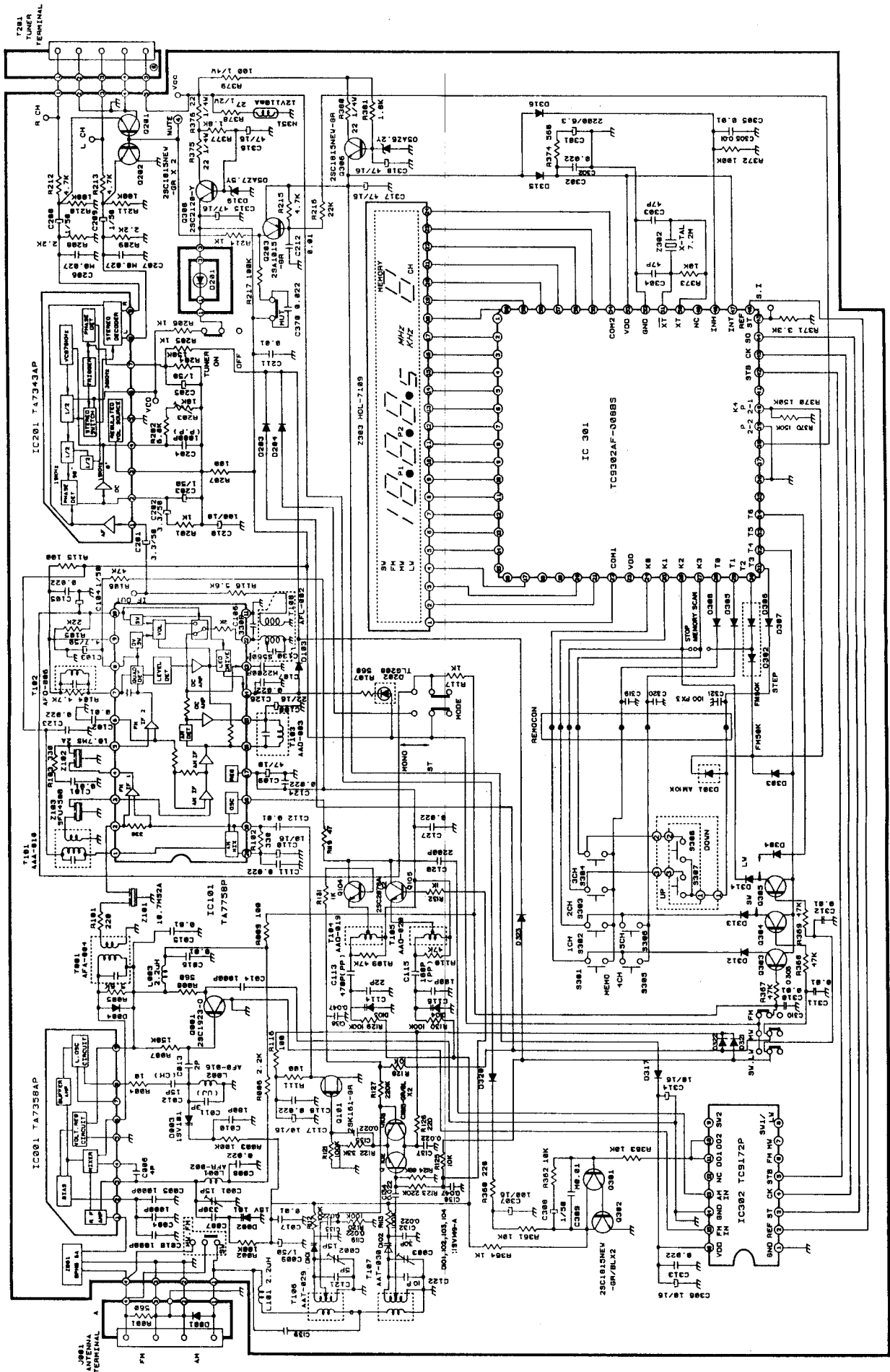
6801-6802 0-01  
0885-812 : JN4882

SCHEMATIC DIAGRAM (TUNER) B E



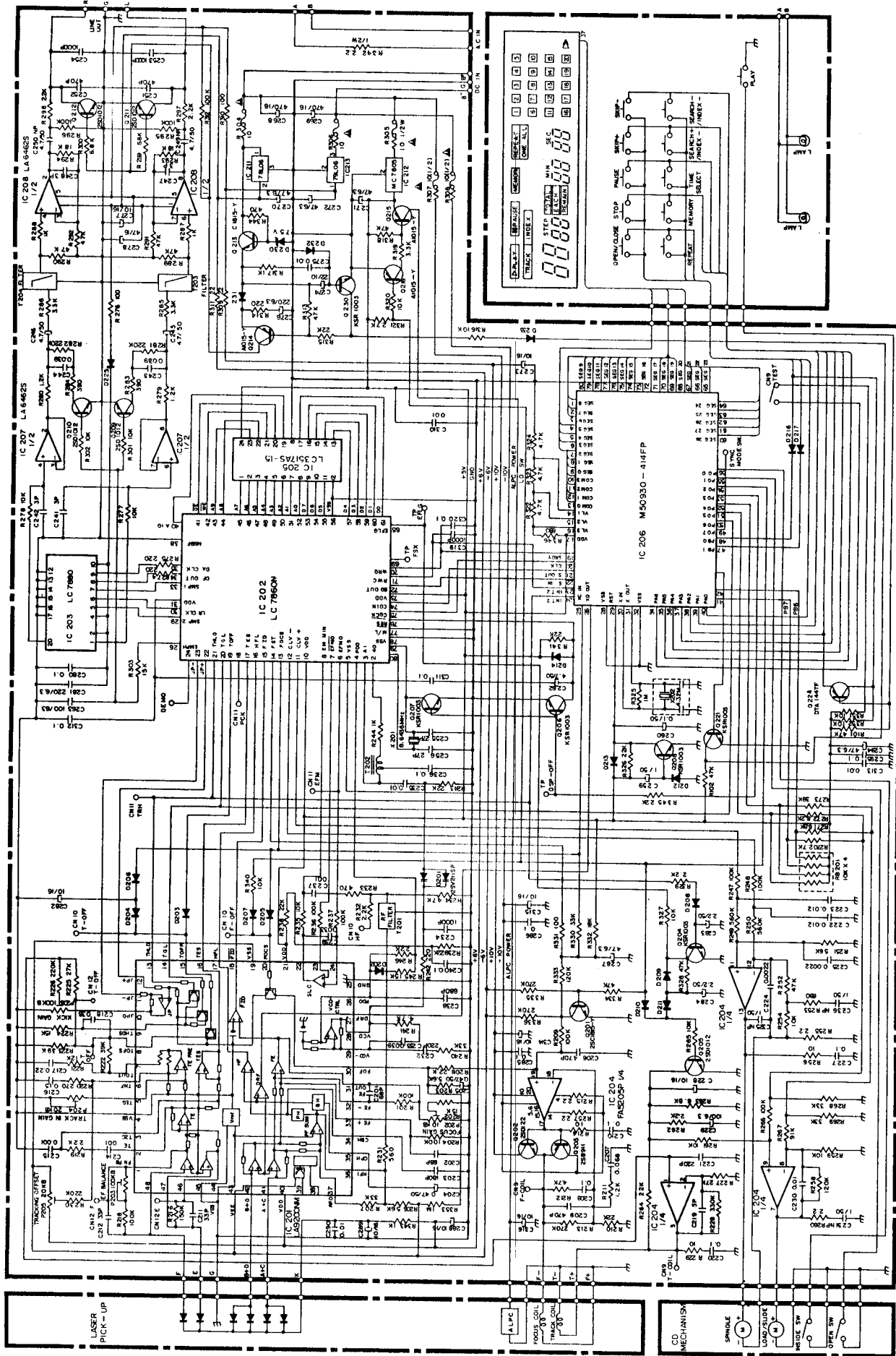
For Service Manuals Contact  
 MAURITRON TECHNICAL SERVICES  
 8 Cherry Tree Rd, Chinnor  
 Oxon OX9 4QY  
 Tel: 01844-351894 Fax: 01844-352554  
 Email: enquiries@maurtron.co.uk

**SCHEMATIC DIAGRAM (TUNER) S**



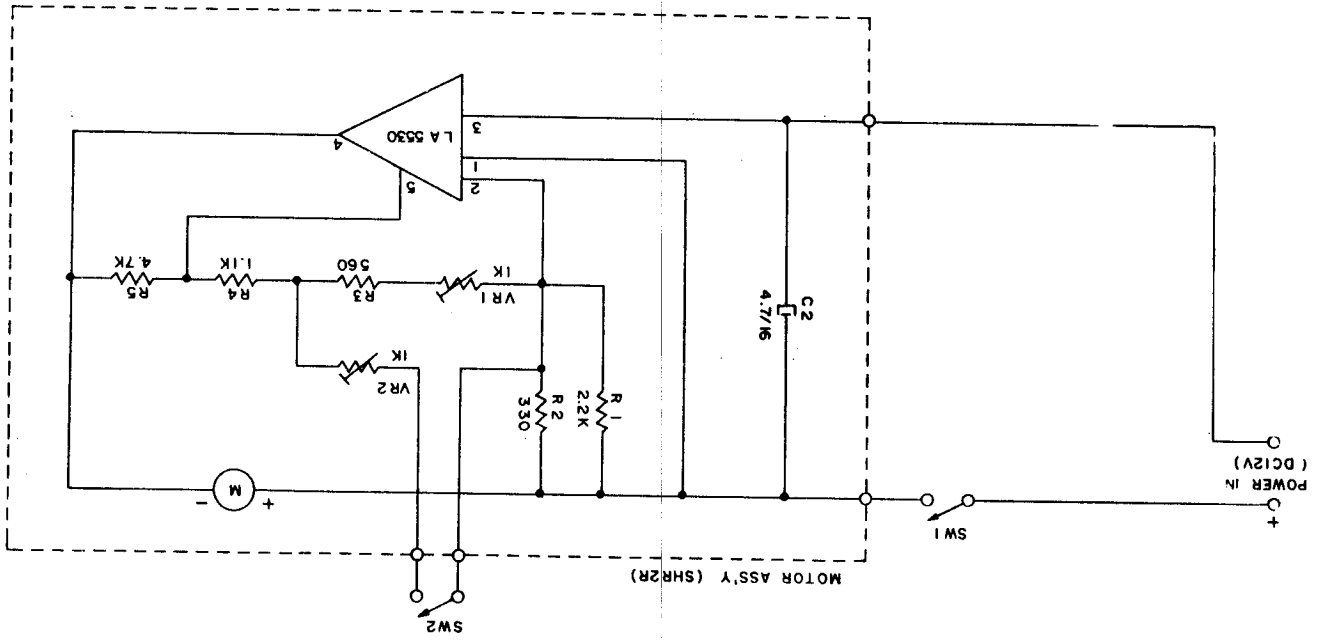


**SCHEMATIC DIAGRAM (CDP)**



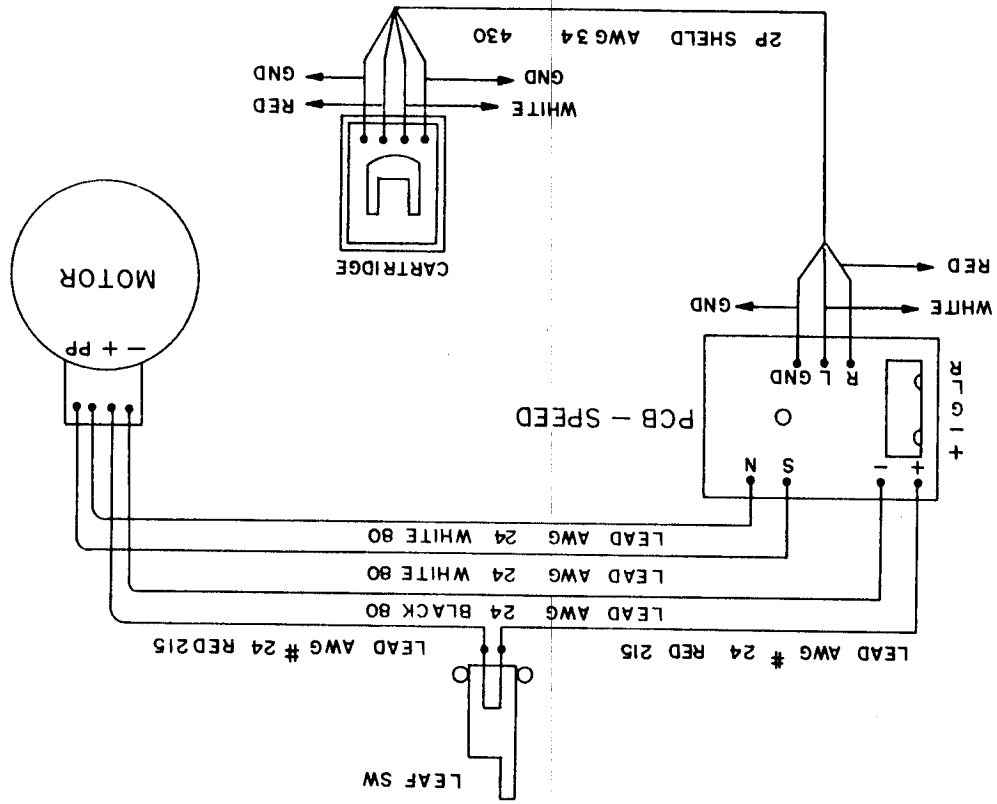
For Service Manuals Contact  
**MAURITRON TECHNICAL SERVICES**  
 8 Cherry Tree Rd, Chinnor  
 Oxon OX9 4QY  
 Tel: 01844-351694 Fax: 01844-352554  
 Email: enquiries@mauritron.co.uk

**SCHEMATIC DIAGRAM (TURN TABLE)**

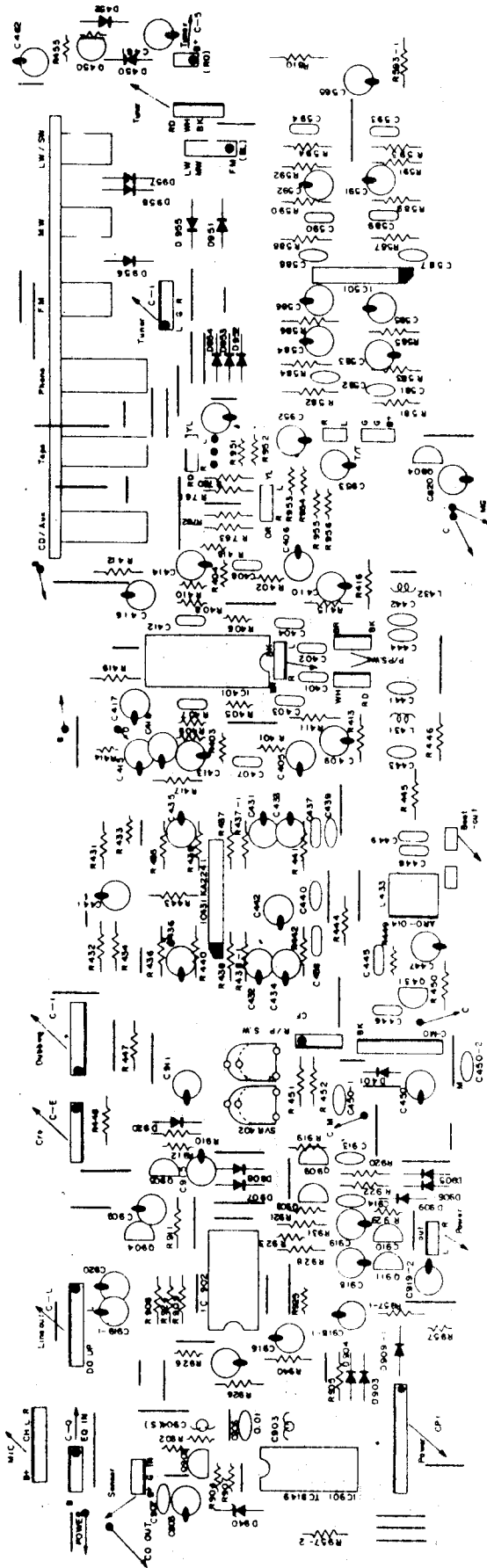


1: LEAF SW. POWER ON/OFF

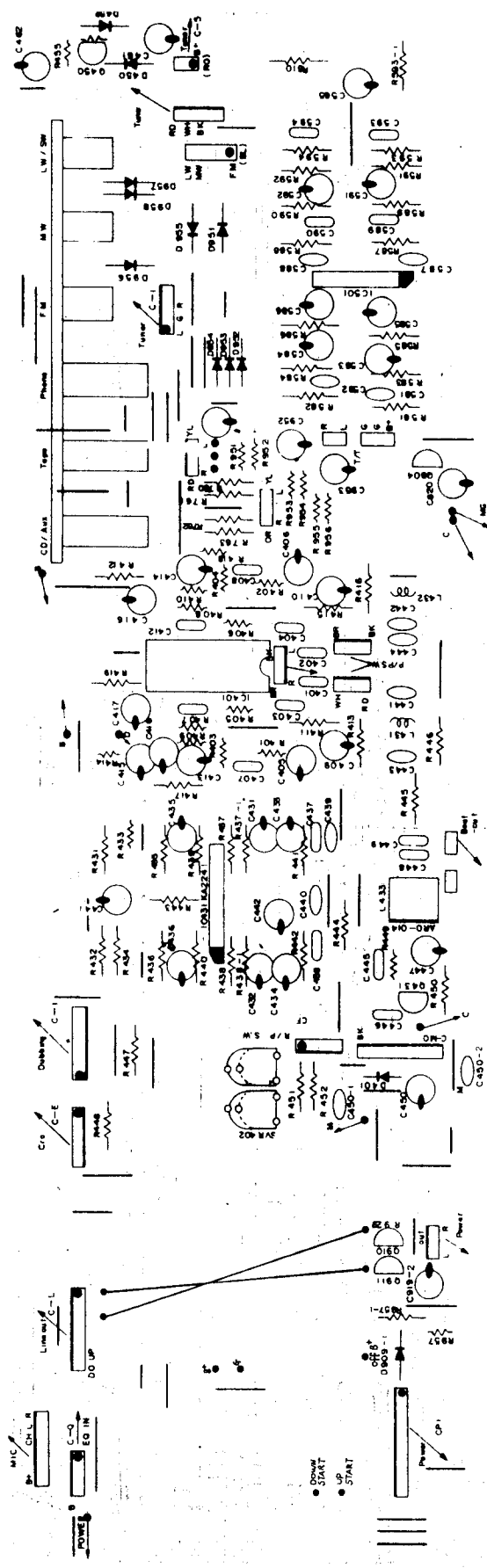
2: SLIDE SW. ON-45RPM OFF-33 1/3RPM



(MAIN PCB) B



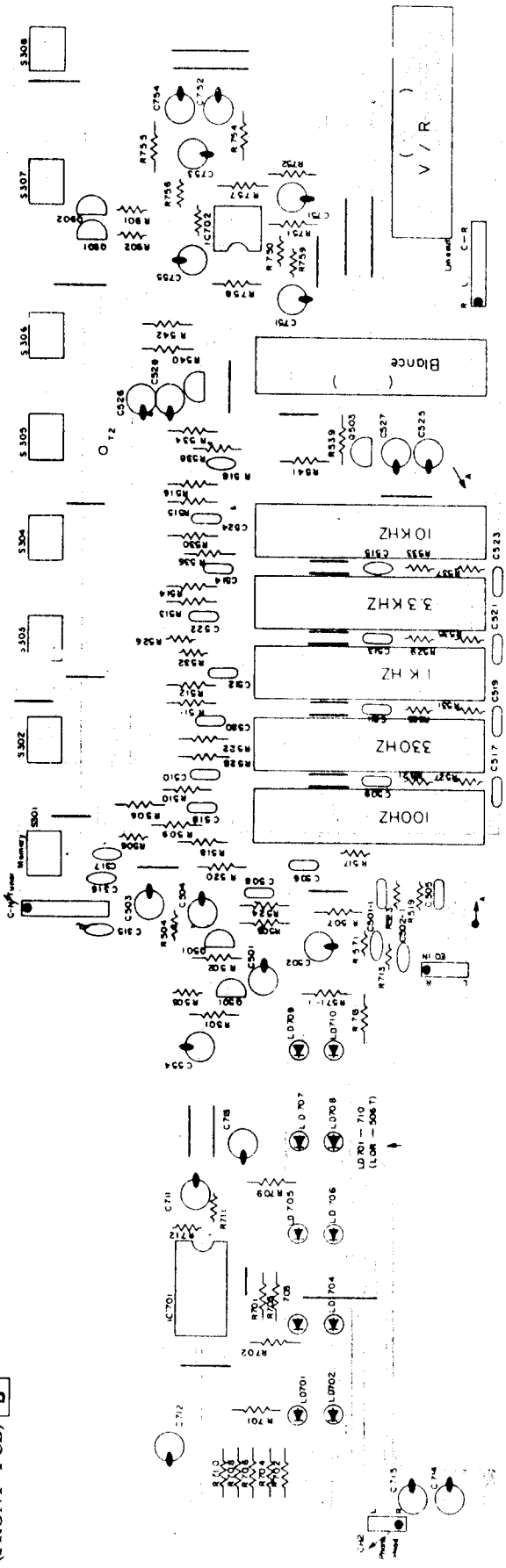
(MAIN PCB) E S



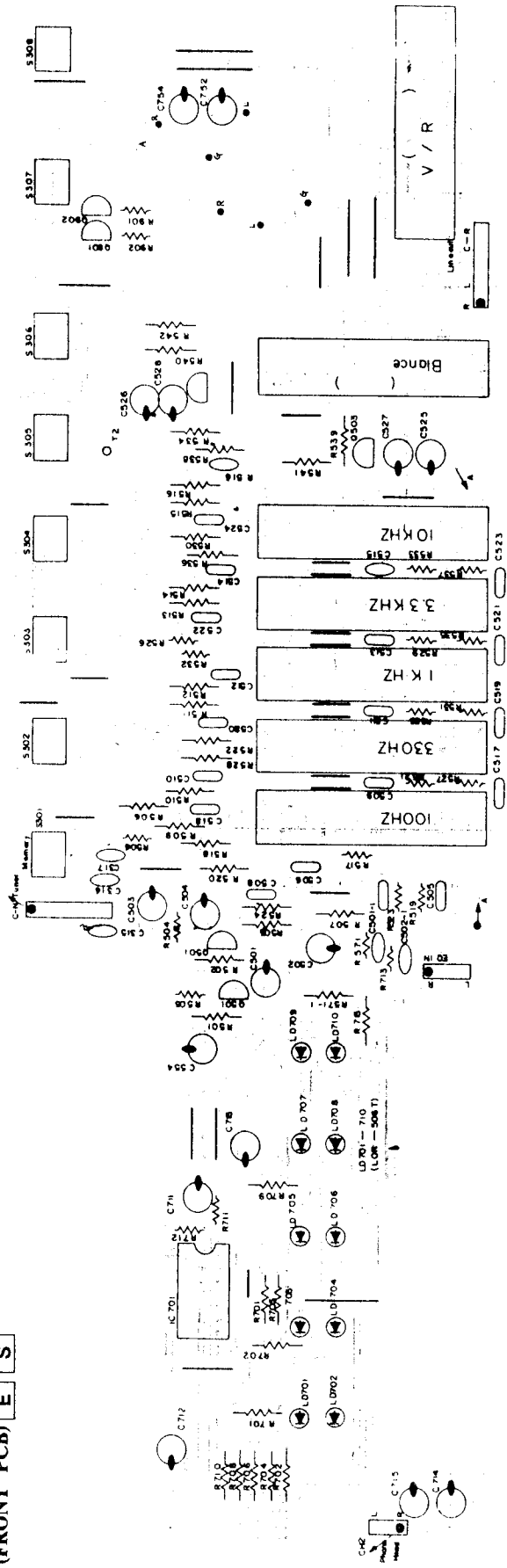
For Service Manuals Contact  
**MAURITRON TECHNICAL SERVICES**  
 8 Cherry Tree Rd, Chinnor  
 Oxon OX9 4QY  
 Tel: 01844-351694 Fax: 01844-352554  
 Email: enquiries@mauritron.co.uk

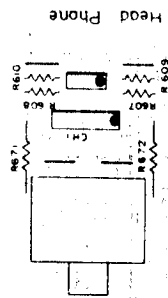
PCB LAYOUT

(FRONT PCB) B

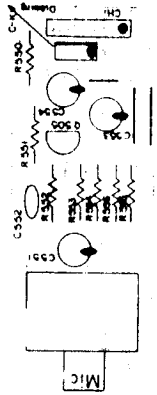


(FRONT PCB) E S



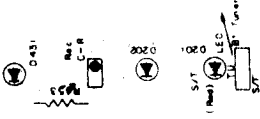


(HEAD PHONE PCB)

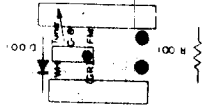


(MIC JACK PCB)

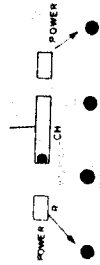
(REC LED PCB)



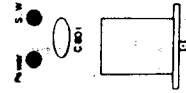
(LED PCB)



(ANT PCB)



(SPEAKER TERMINAL PCB)

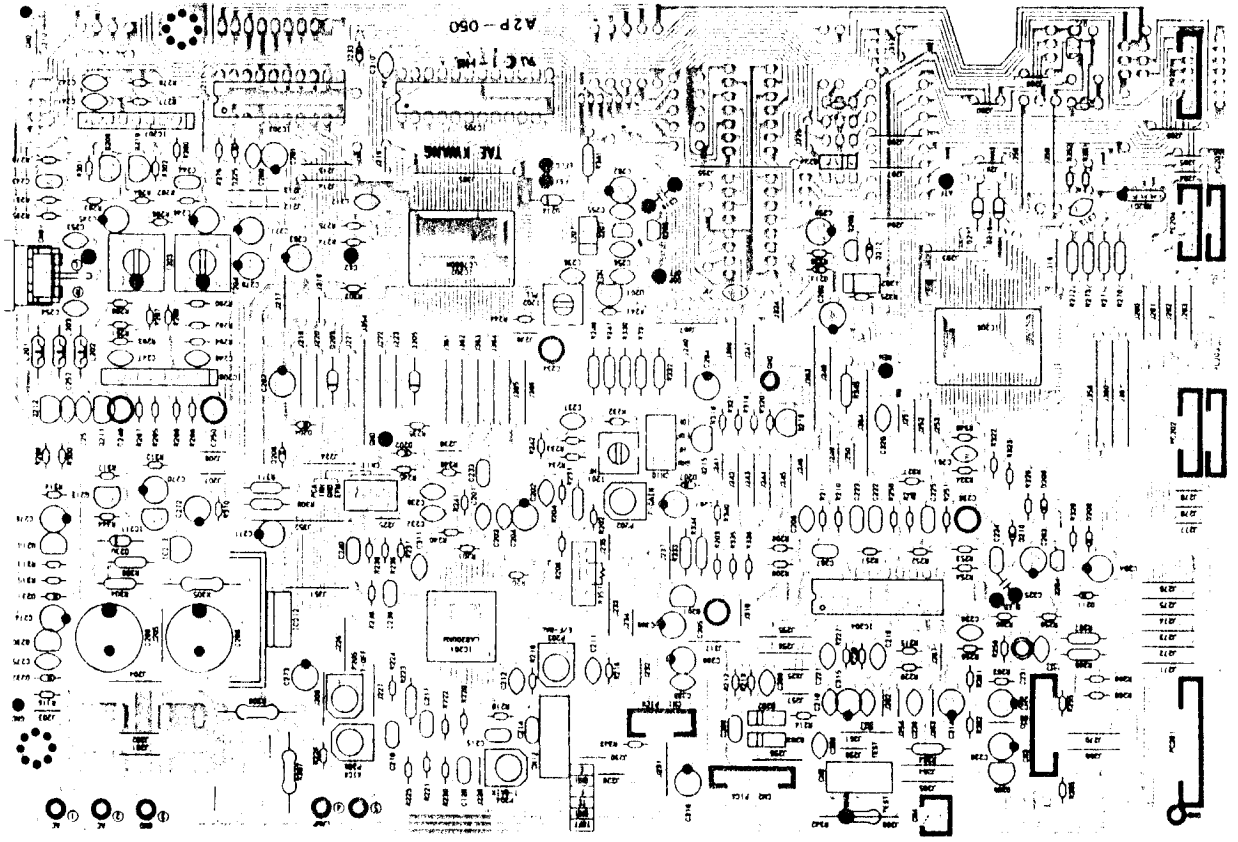


(POWER SW PCB)

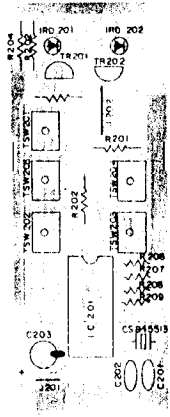
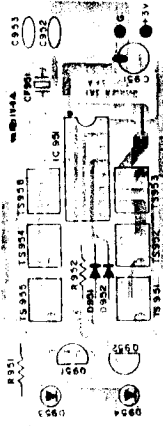
For Service Manuals Contact  
**MAURITRON TECHNICAL SERVICES**  
 8 Cherry Tree Rd, Chinnor  
 Oxon OX9 4QY  
 Tel: 01844-351694 Fax: 01844-352554  
 Email: enquiries@mauritron.co.uk

PCB LAYOUT

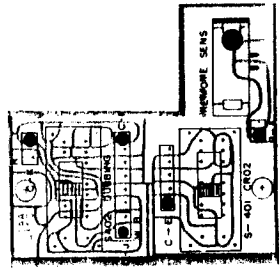
(CD PCB)



(TX)



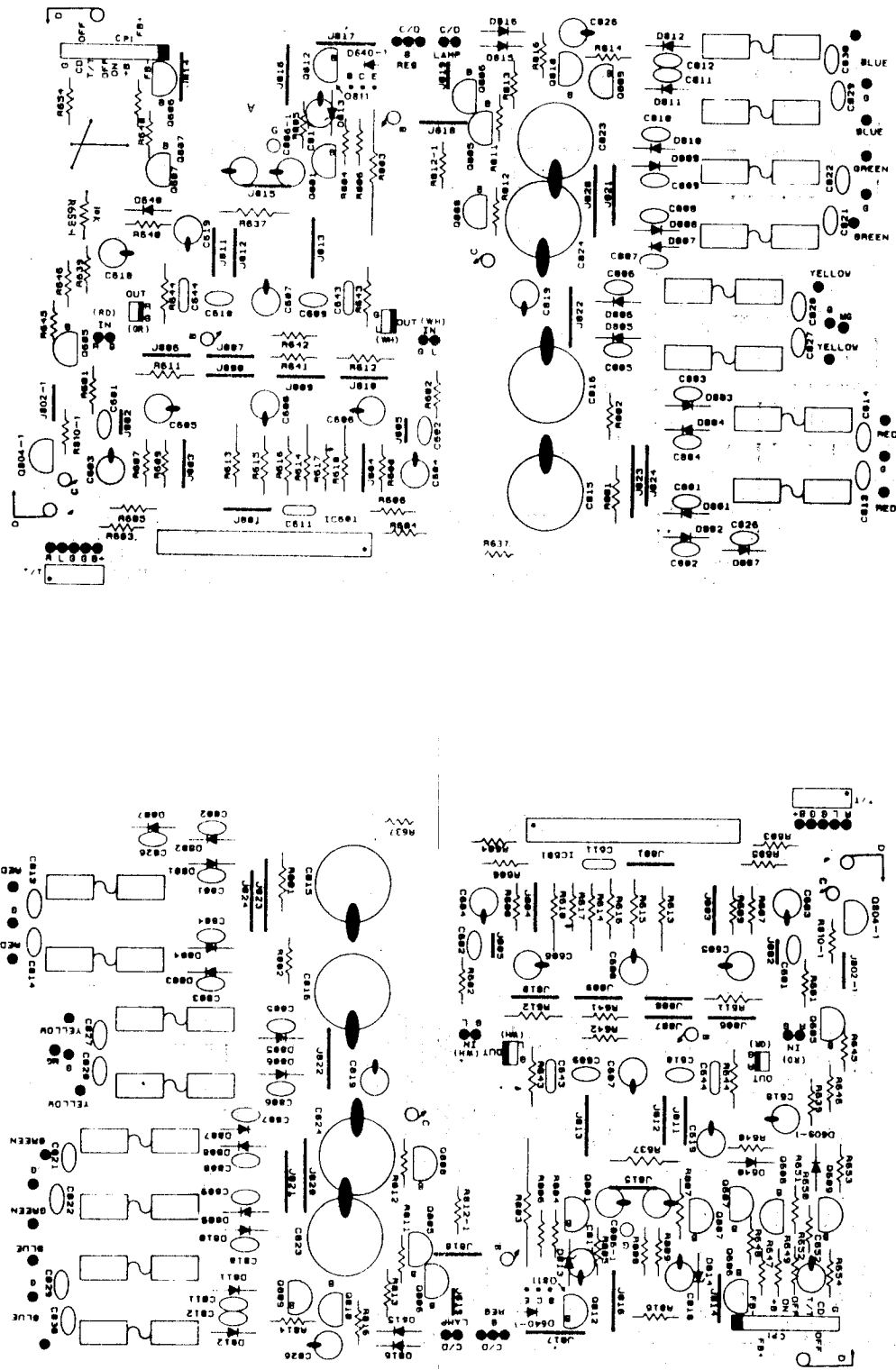
(TAPE SW PCB)



(POWER PCB)

B

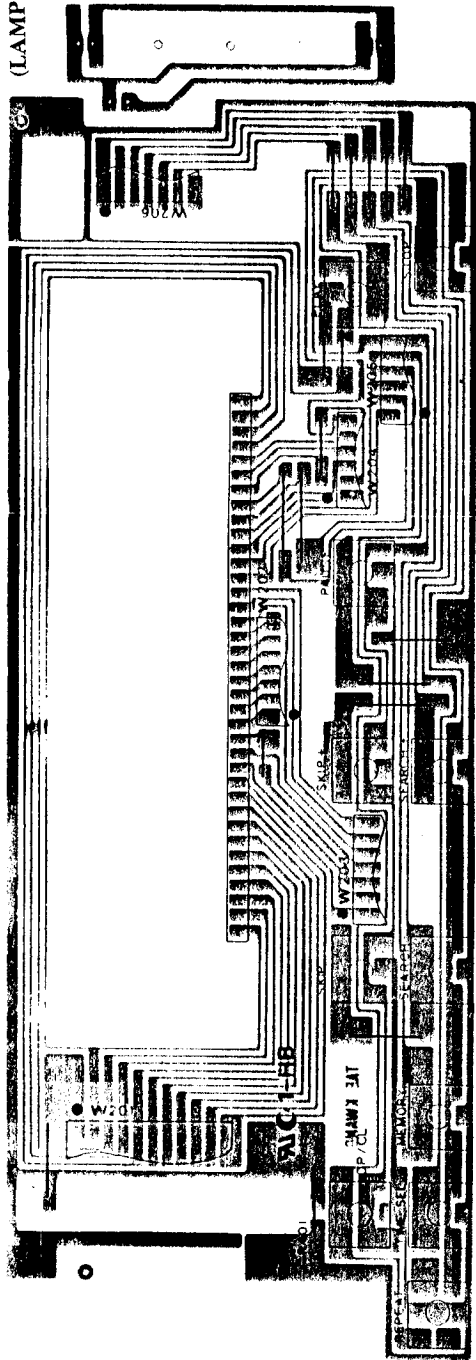
E S



For Service Manuals Contact  
MAURITRON TECHNICAL SERVICES  
8 Cherry Tree Rd, Chinnor  
Oxon OX9 4QY  
Tel: 01844-351694 Fax: 01844-352554  
Email: enquiries@mauritron.co.uk

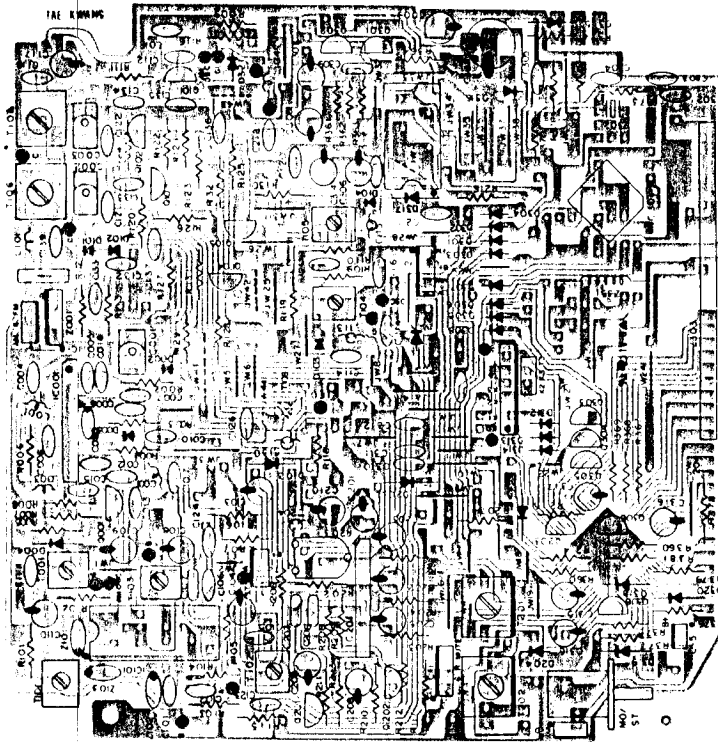
PCB LAYOUT

(CDP DISPLAY PART)



(LAMP PART)

(TUNER PCB)



(REC/PB SW PCB)

