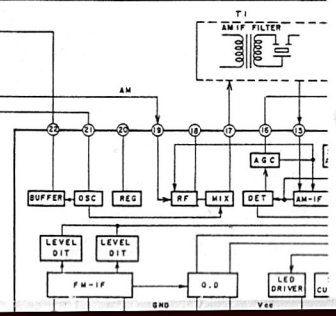
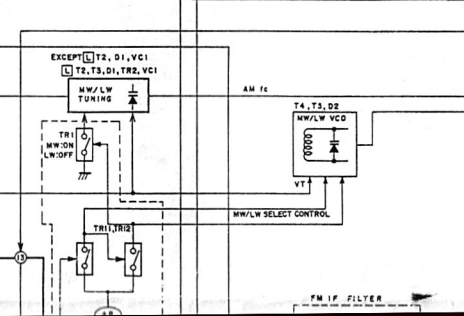
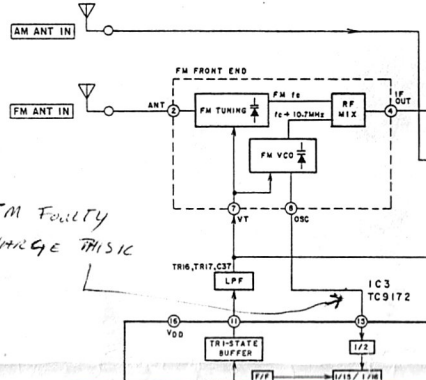
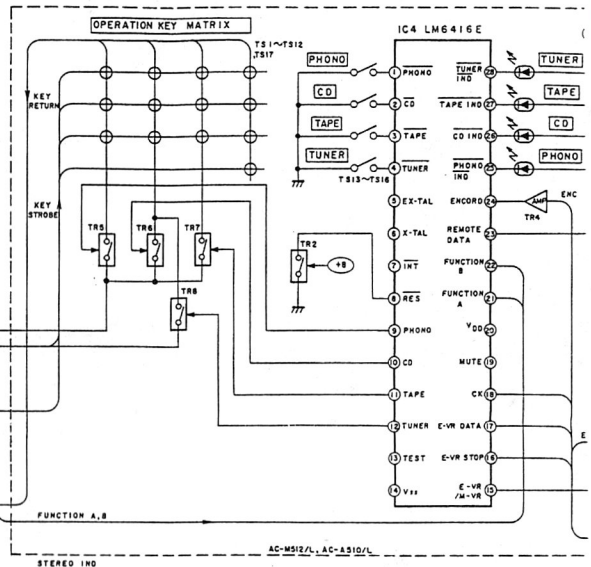
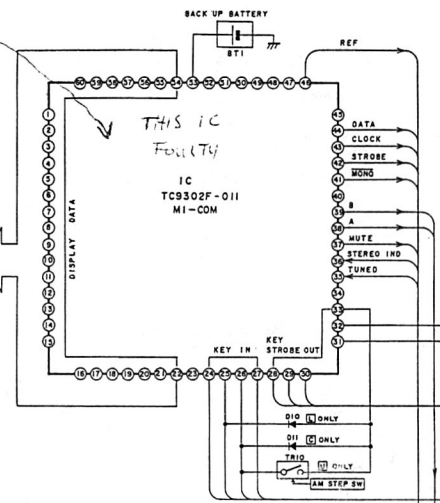
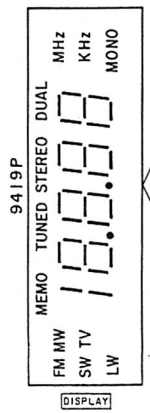


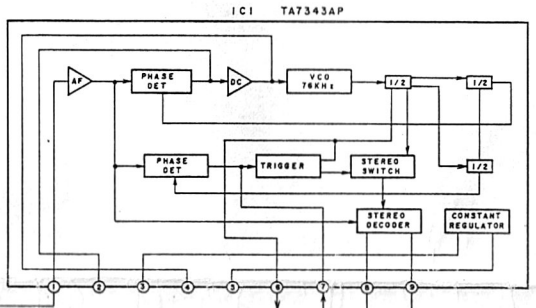
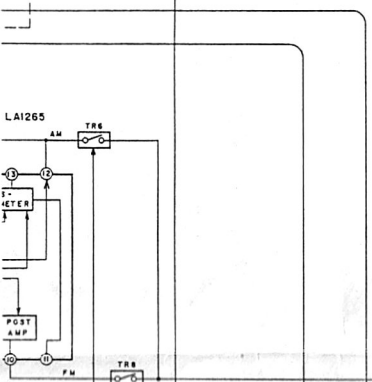
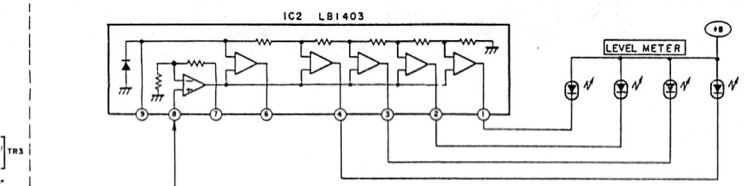
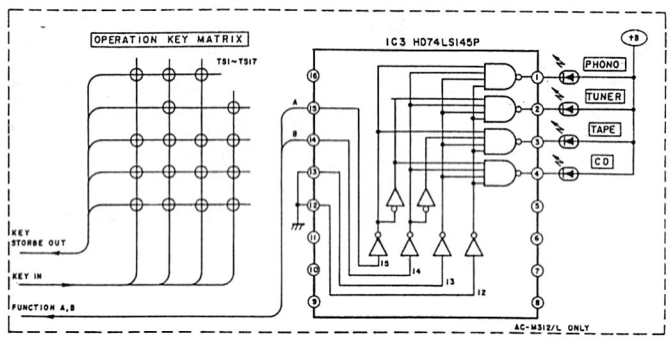
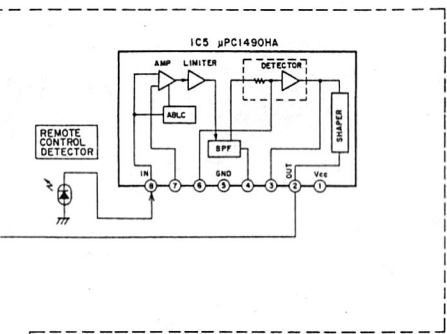
TUNE/SCAN
PHONO
TAPE
CD/VCR

A B C D E F

1
2
3
4



FM Faulty
CHANGE THIS IC

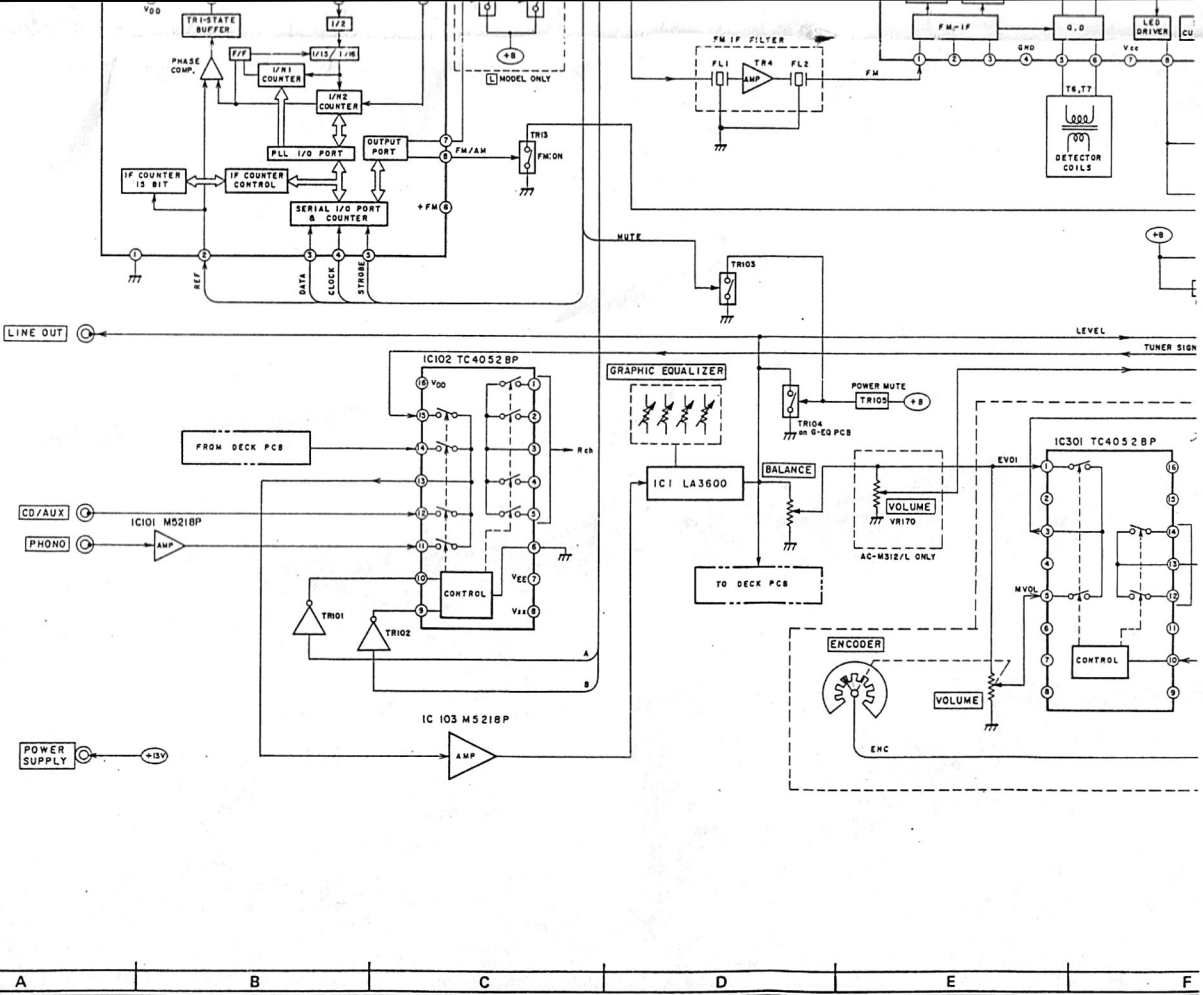


5

6

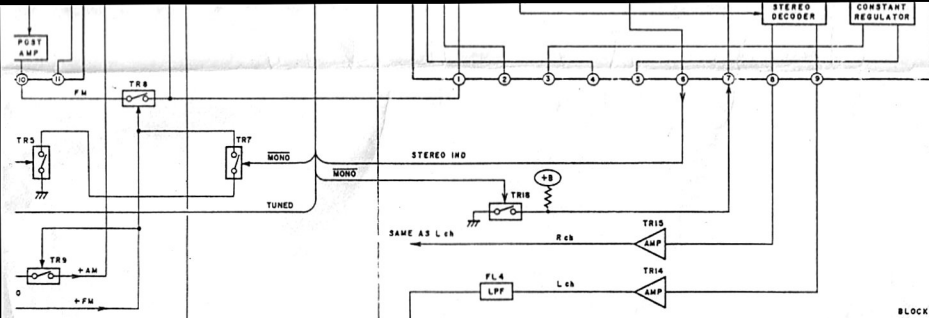
7

8



1.2.3.4.5.6.7.8

A B C D E F



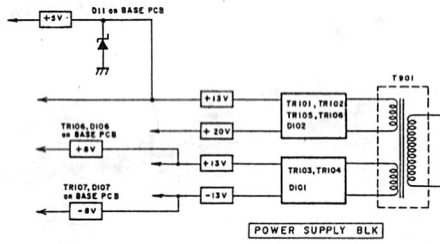
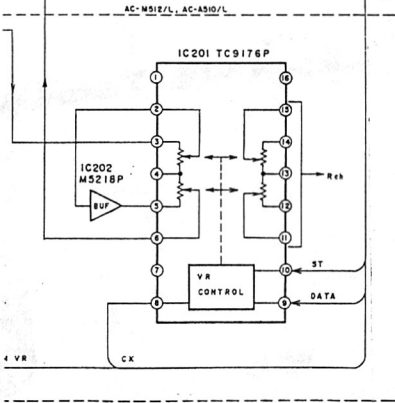
BLOCK DIAGRAM INDICATES LEFT CHANNEL ONLY

MAIN AMP IC



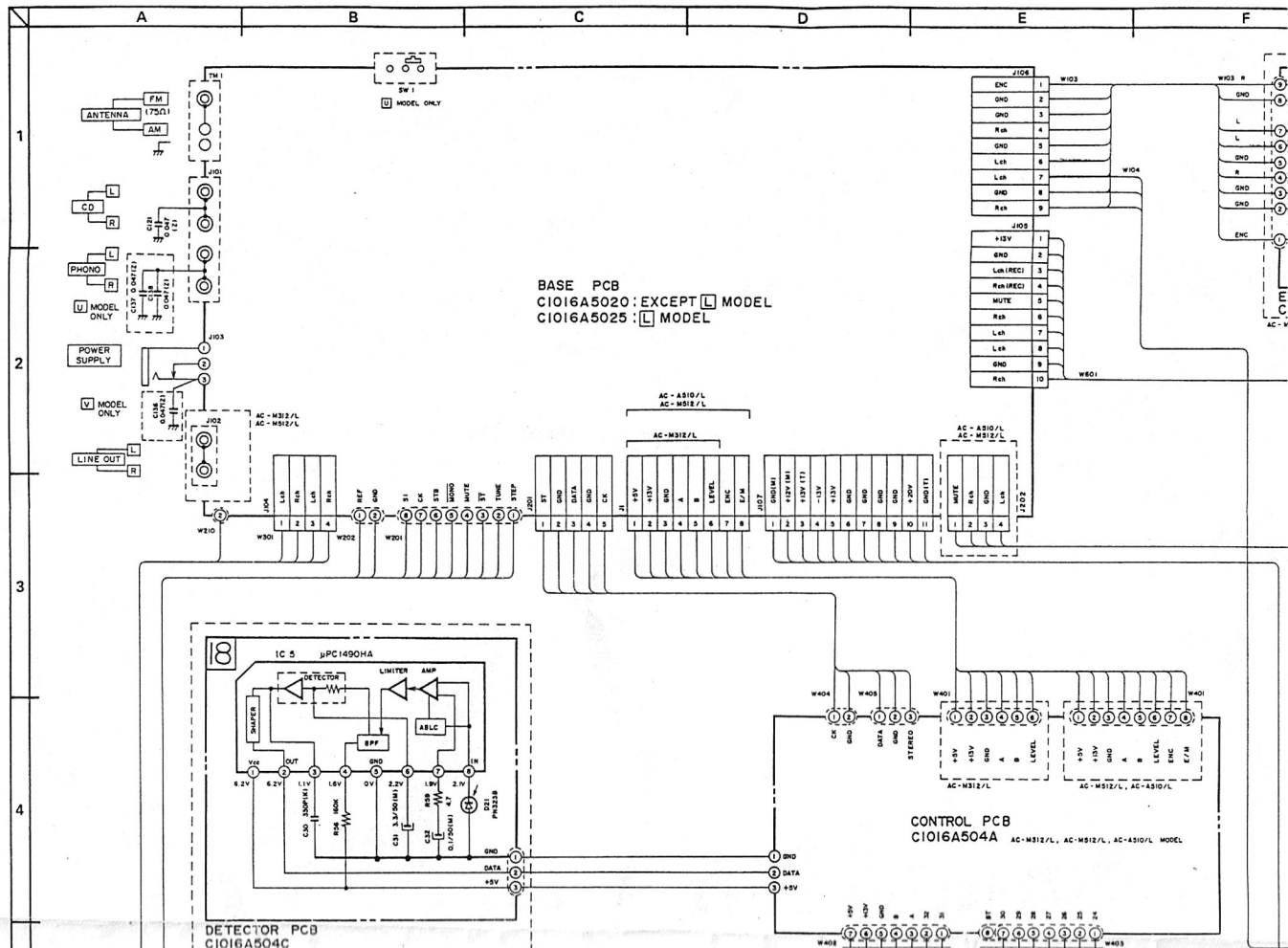
SPEAKERS

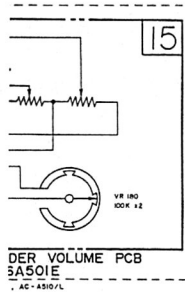
HEADPHONES



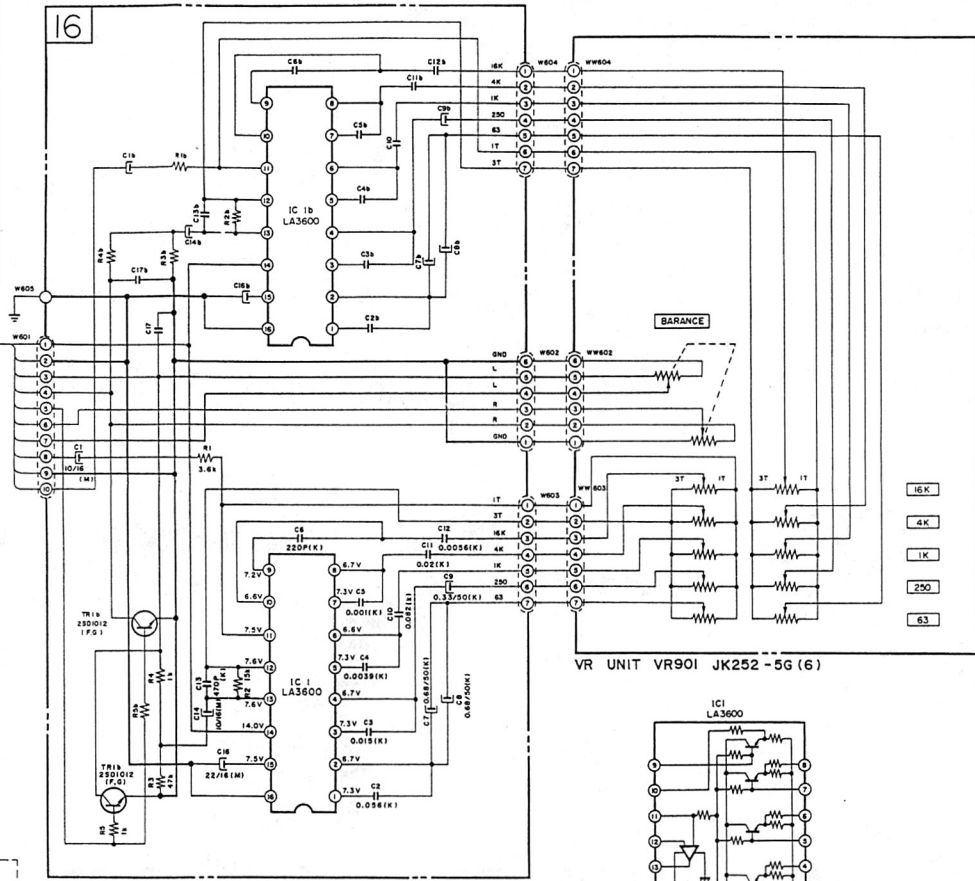
POWER SUPPLY BLK

AC-M312/L, AC-M512/L
 AC-A510/L
 AMP SECTION
 BLOCK DIAGRAM
 No. 2-2 860808B

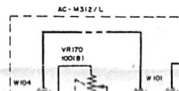
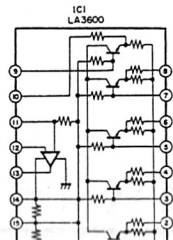




DER VOLUME PCB
3A501E
AC - 4310/L



G-EQ PCB C1016B5060



AC - M312/L

TU.1

1

2

3

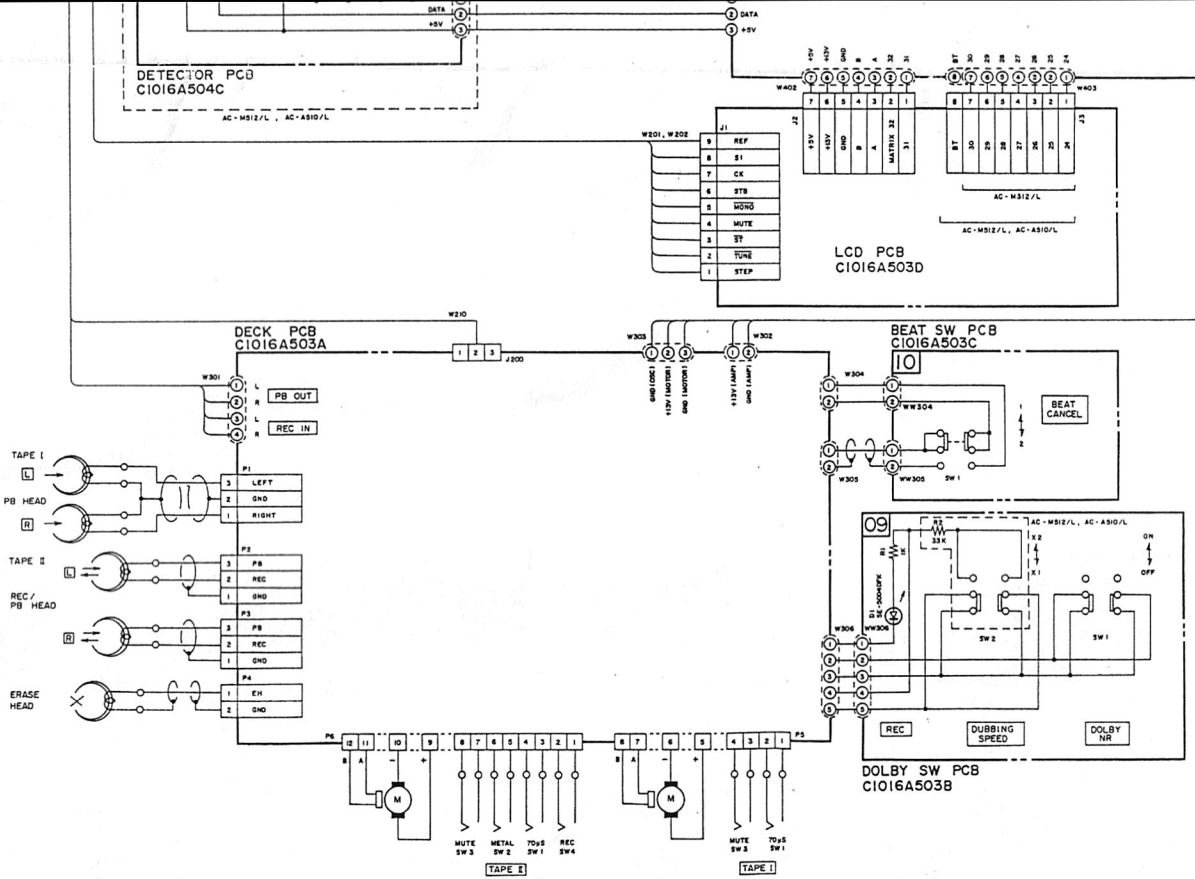
4

5

6

7

8



A

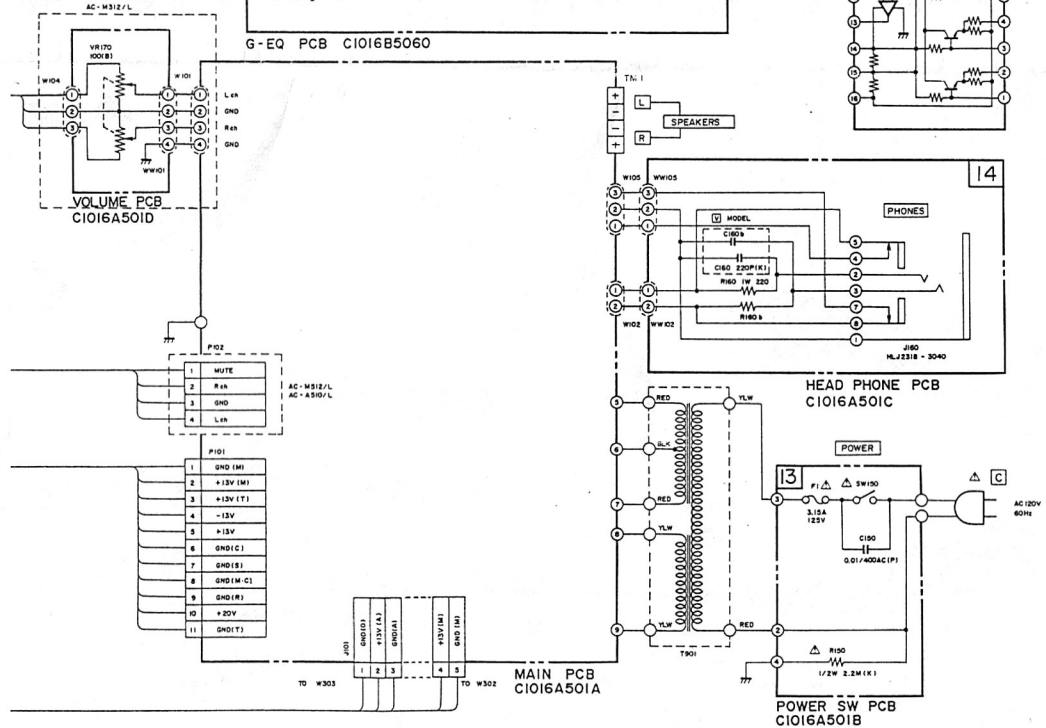
B

C

D

E

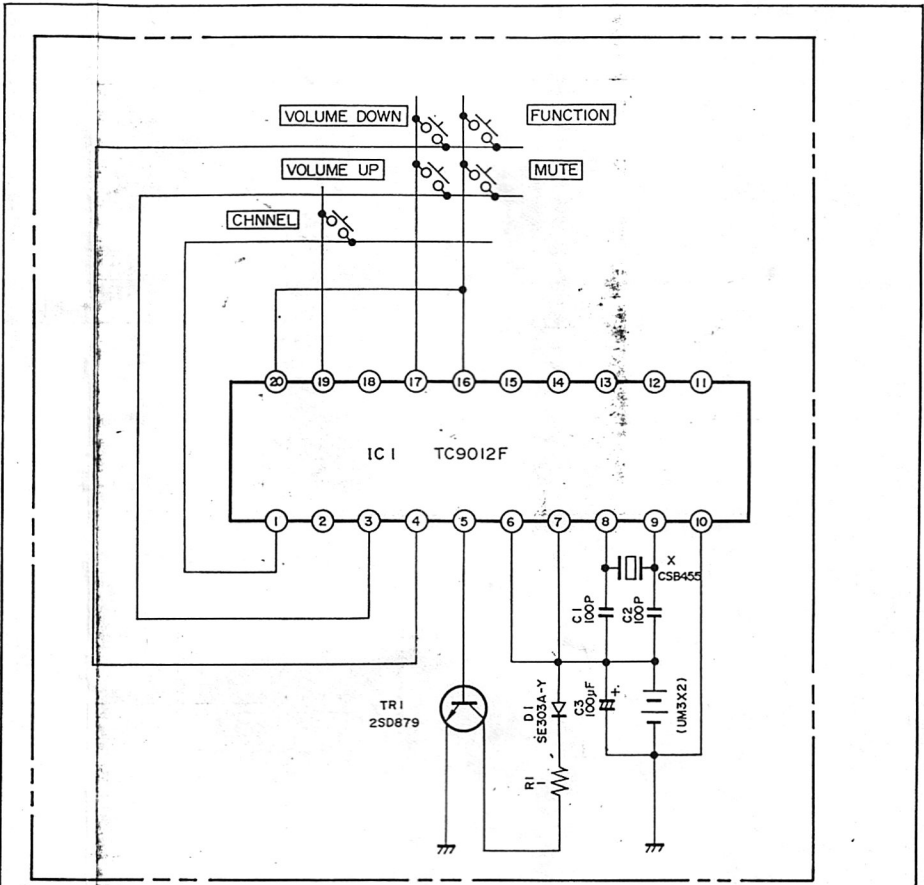
F



----- B (POWER SUPPLY) LINE
 - - - - - SIGNAL LINE

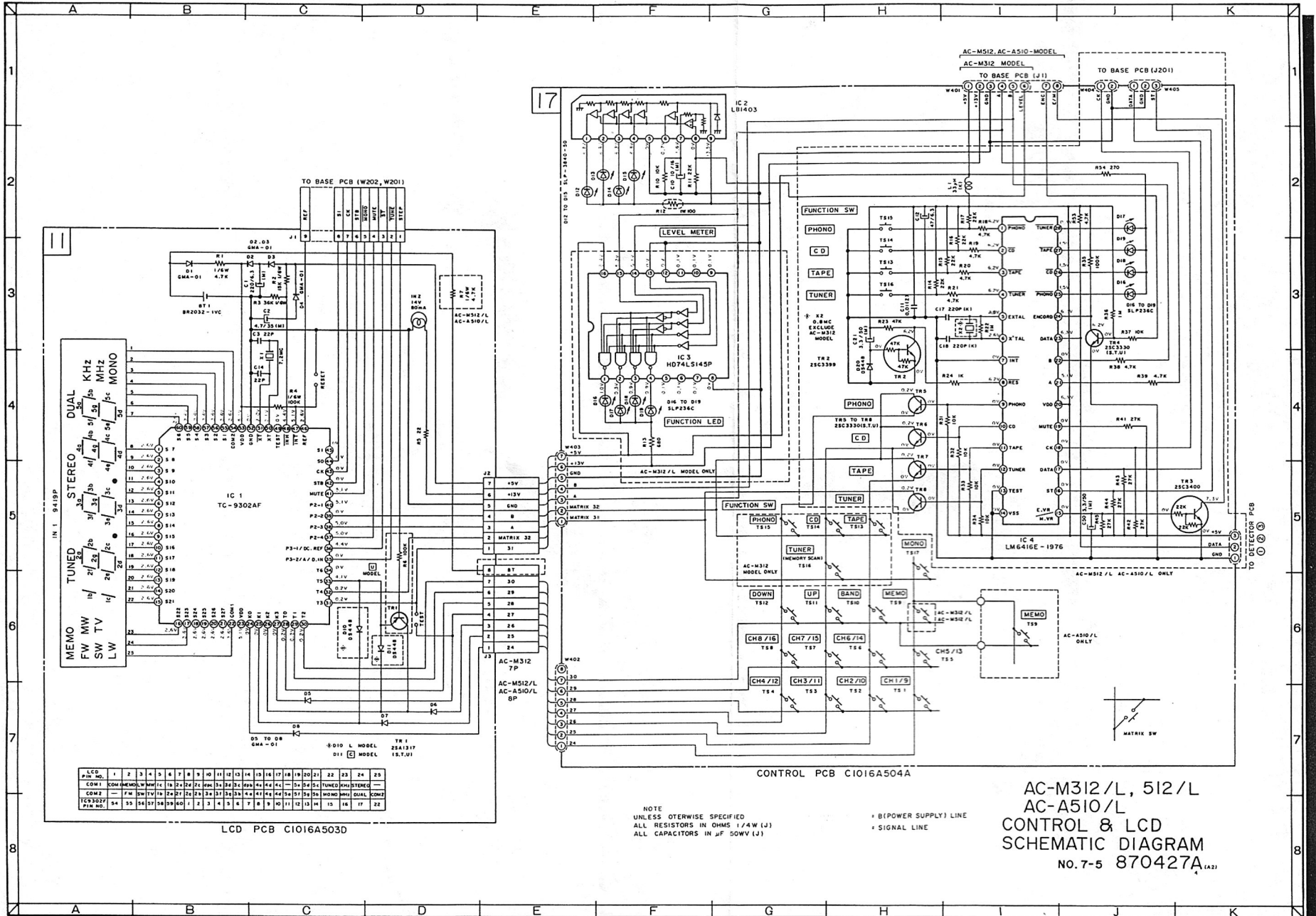
WARNING Δ INDICATES SAFETY CRITICAL COMPONENTS FOR CONTINUED SAFETY
 REPLACE SAFETY CRITICAL COMPONENTS ONLY WITH MANUFACTURER'S
 RECOMMENDED PARTS
 AVERTISSEMENT Δ IL INDIQUE LES COMPOSANTS CRITIQUES DE SECURITE
 POUR MAINTENIR LE DEGRE DE SECURITE DE L'APPAREIL
 NE REMPLACER QUE DES PIECES RECOMMANDEES PAR LE FABRICANT

AC-M312/L , AC-M512/L ,
 AC-A510/L
 CONNECTION DIAGRAM
 No. 7-1 870423A



MODEL AC-M512/L, AC-A510/L ONLY

RC-S500
 REMOTE CONTROL UNIT
 SCHEMATIC DIAGRAM
 No. 7-7 870429A



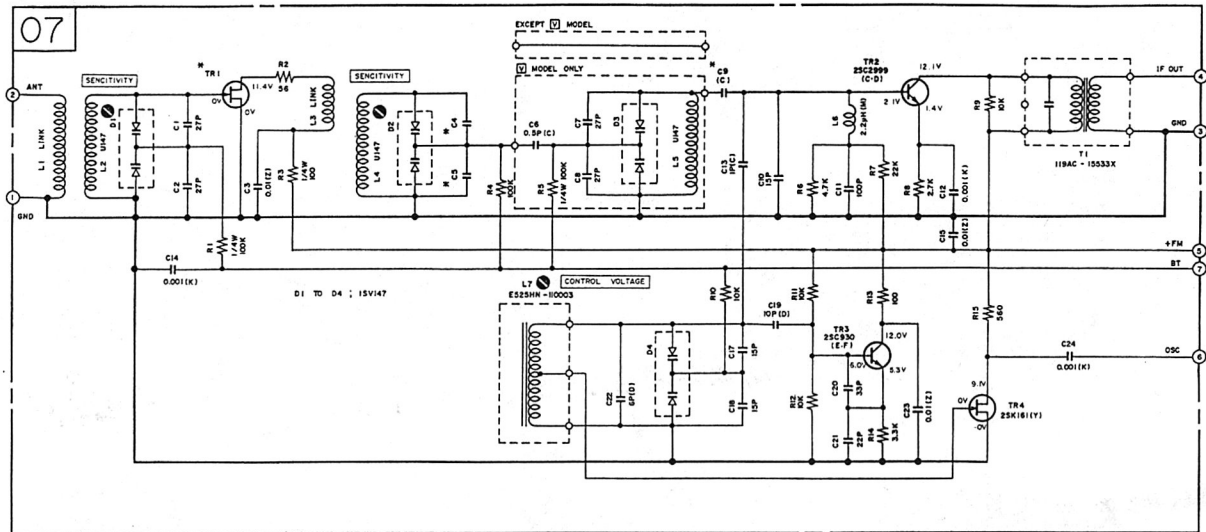
| | | | | | | | | | | | | | | | | | | | | | | | | | |
|----------|------|------|------|------|------|------|------|------|------|------|------|------|------|------|------|------|------|------|------|------|------|------|------|------|------|
| LCD No. | 1 | 2 | 3 | 4 | 5 | 6 | 7 | 8 | 9 | 10 | 11 | 12 | 13 | 14 | 15 | 16 | 17 | 18 | 19 | 20 | 21 | 22 | 23 | 24 | 25 |
| COM1 | MEMO | MEMO | MEMO | MEMO | MEMO | MEMO | MEMO | MEMO | MEMO | MEMO | MEMO | MEMO | MEMO | MEMO | MEMO | MEMO | MEMO | MEMO | MEMO | MEMO | MEMO | MEMO | MEMO | MEMO | MEMO |
| COM2 | FM | SW | TV | 18 | 24 | 27 | 28 | 29 | 30 | 31 | 32 | 33 | 34 | 35 | 36 | 37 | 38 | 39 | 40 | 41 | 42 | 43 | 44 | 45 | 46 |
| TC-9302F | 54 | 55 | 56 | 57 | 58 | 59 | 60 | 1 | 2 | 3 | 4 | 5 | 6 | 7 | 8 | 9 | 10 | 11 | 12 | 13 | 14 | 15 | 16 | 17 | 22 |
| LM-6416 | | | | | | | | | | | | | | | | | | | | | | | | | |

NOTE
 UNLESS OTHERWISE SPECIFIED
 ALL RESISTORS IN OHMS (R) / 1/4W (J)
 ALL CAPACITORS IN pF (J) 50WV (J)

= (B)POWER SUPPLY) LINE
 = SIGNAL LINE

AC-M312/L, 512/L
 AC-A510/L
 CONTROL & LCD
 SCHEMATIC DIAGRAM
 NO.7-5 870427A.1221

| | TR1 | C4 | C5 | C9 |
|--|-----------|-----|-----|-----|
| EXCEPT <input checked="" type="checkbox"/> MODEL | 25K241(Y) | 33P | 33P | 5P |
| <input type="checkbox"/> MODEL | 25K161 | 27P | 18P | 15P |



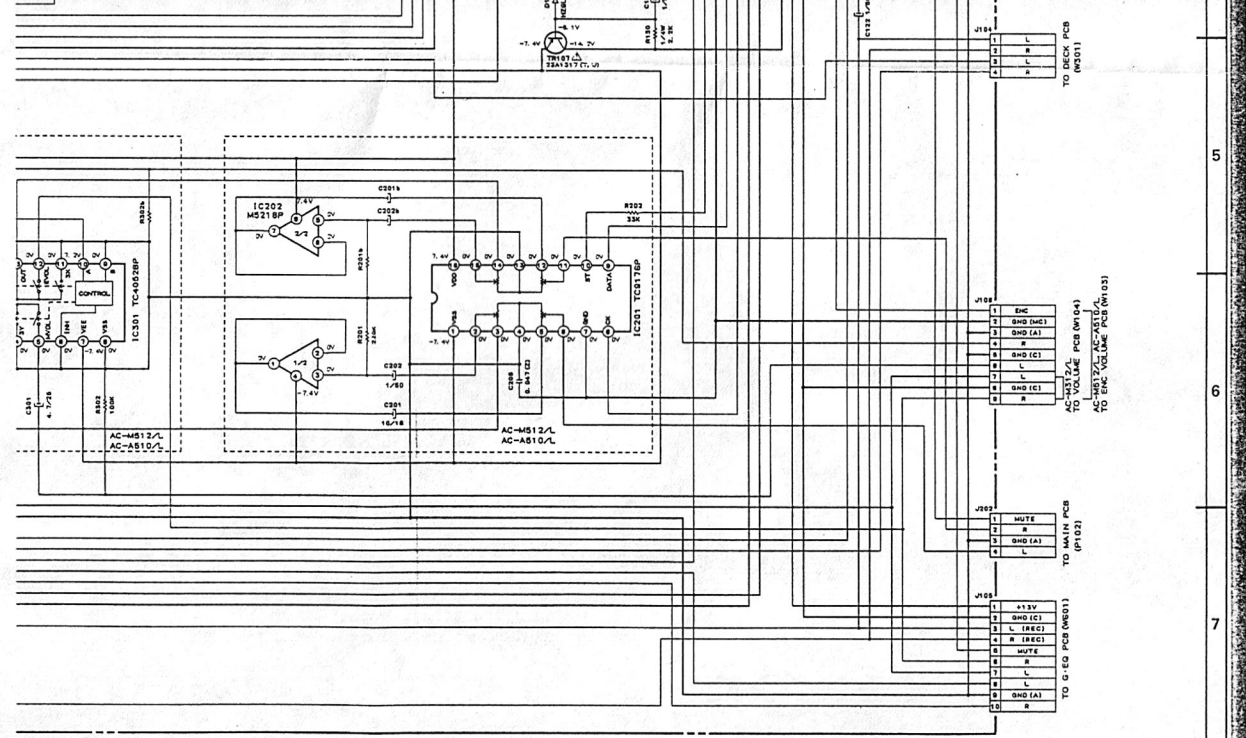
FRONT END PCB C1005B5040

--- = SIGNAL LINE

NOTE
UNLESS OTHERWISE SPECIFIED;
ALL RESISTORS IN OHMS 1/6W(J)
ALL CAPACITORS IN μ F 50WV(J)

EXCEPT MODEL ---- FE31 MODEL ---- FE41

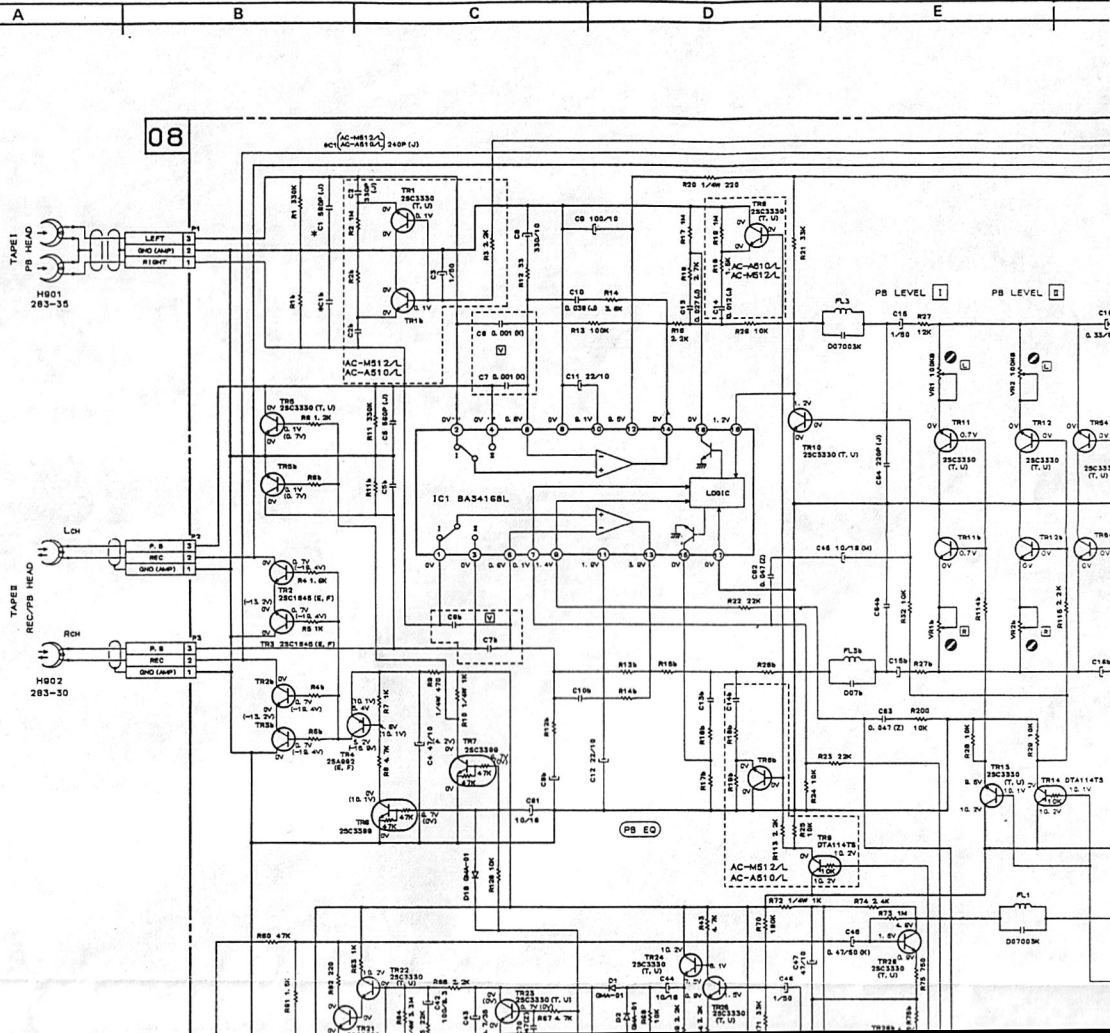
FRONT END
SCHEMATIC DIAGRAM
NO. 7-6 870428A

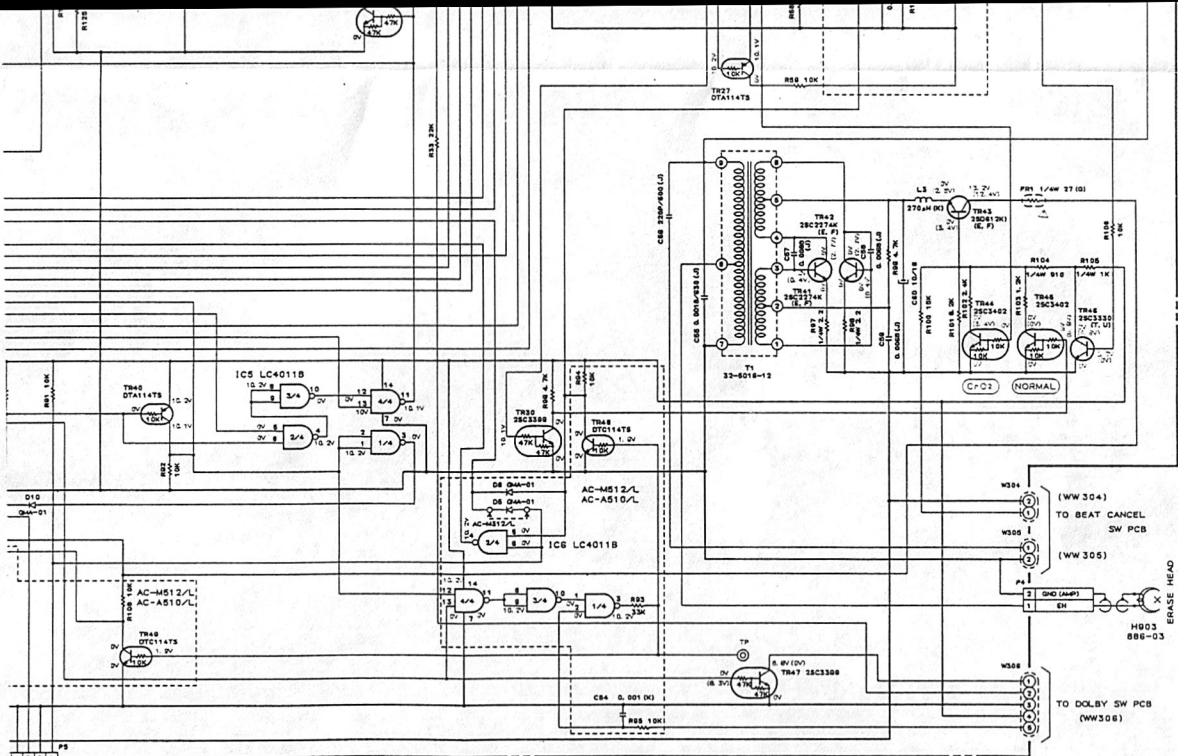


FM SIGNAL LINE
 AM SIGNAL LINE
 B (POWER SUPPLY) LINE

NOTE
 UNLESS OTHERWISE SPECIFIED
 ALL RESISTORS IN OHMS 1/GW (J)
 ALL CAPACITORS IN μ F 50WV (M)

AC-M312/L, AC-M512/L,
 AC-A510/L
 BASE
 SCHEMATIC DIAGRAM
 NO. 7-3 870425A





4 3 2 1
 MUTE MUTE MUTE
 MUTE 30dB 30dB
 DE 1

WARNING: INDICATES SAFETY CRITICAL COMPONENTS FOR CONTINUED SAFETY.
 REPLACE SAFETY CRITICAL COMPONENTS ONLY WITH MANUFACTURER'S
 RECOMMENDED PARTS.
 AVERTISSEMENT: A.L. INDIQUE LES COMPOSANTS CRITIQUES DE SECURITE
 POUR MAINTENIR LE DEGRE DE SECURITE DE L'APPAREIL.
 NE REMPLACER QUE LES PIECES RECOMMANDEES PAR LE FABRICANT.

- - - - - PB SIGNAL LINE
 - - - - - REC SIGNAL LINE
 - - - - - B (POWER SUPPLY) LINE

NOTE
 UNLESS OTHERWISE SPECIFIED
 ALL RESISTORS IN OHMS 1/8W (J)
 ALL CAPACITORS IN μ F 50W (M)

AC-M312/L, AC-M512/L
 AC-A510/L
 DECK
 SCHEMATIC DIAGRAM
 NO. 7-4 870426A

5
6
7
8

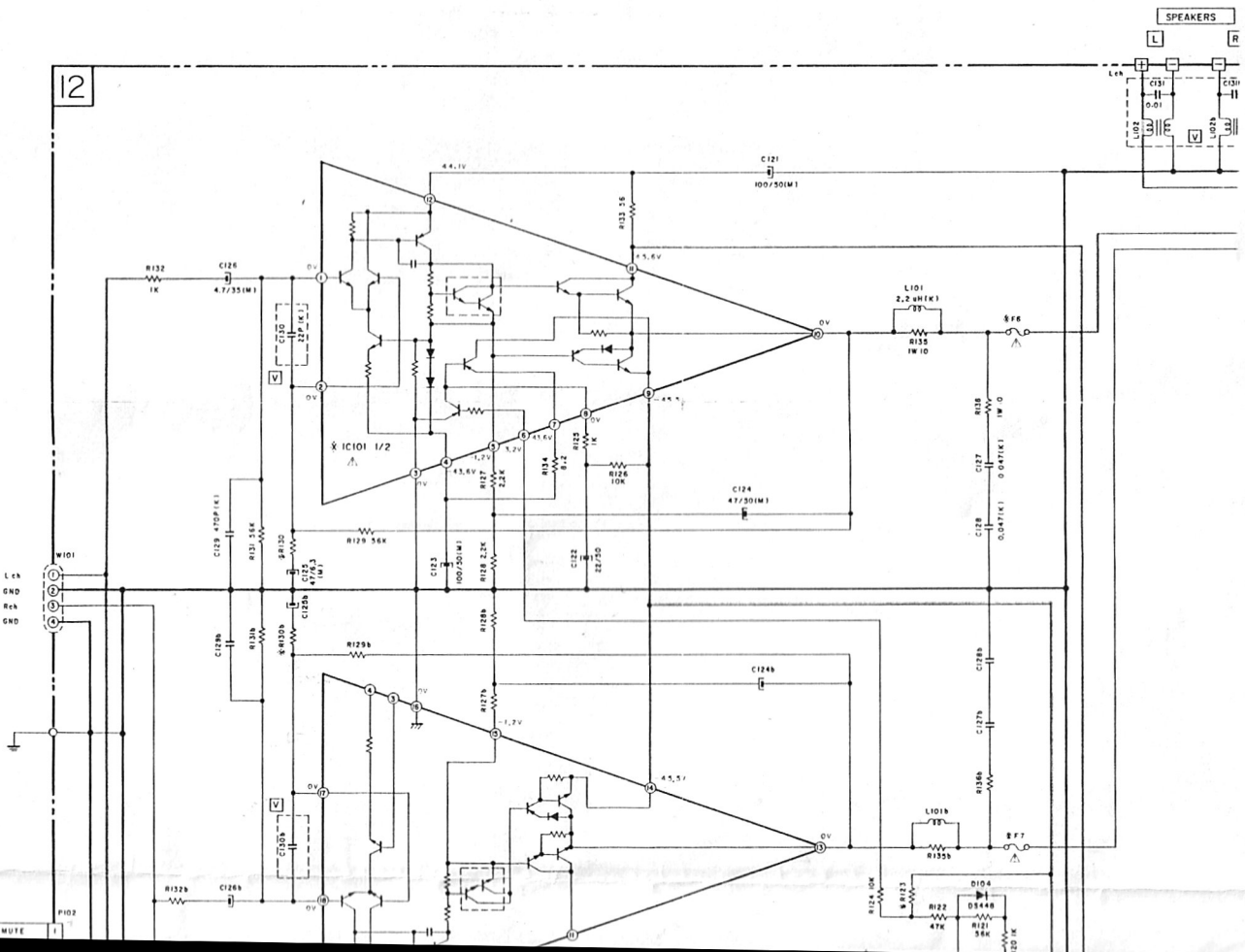
F G H I J K

TO VOLUME PCB (W101)
(AC-450241)

L C4
SND
Rca
SND

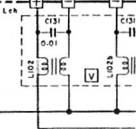
MUTE

12



SPEAKERS

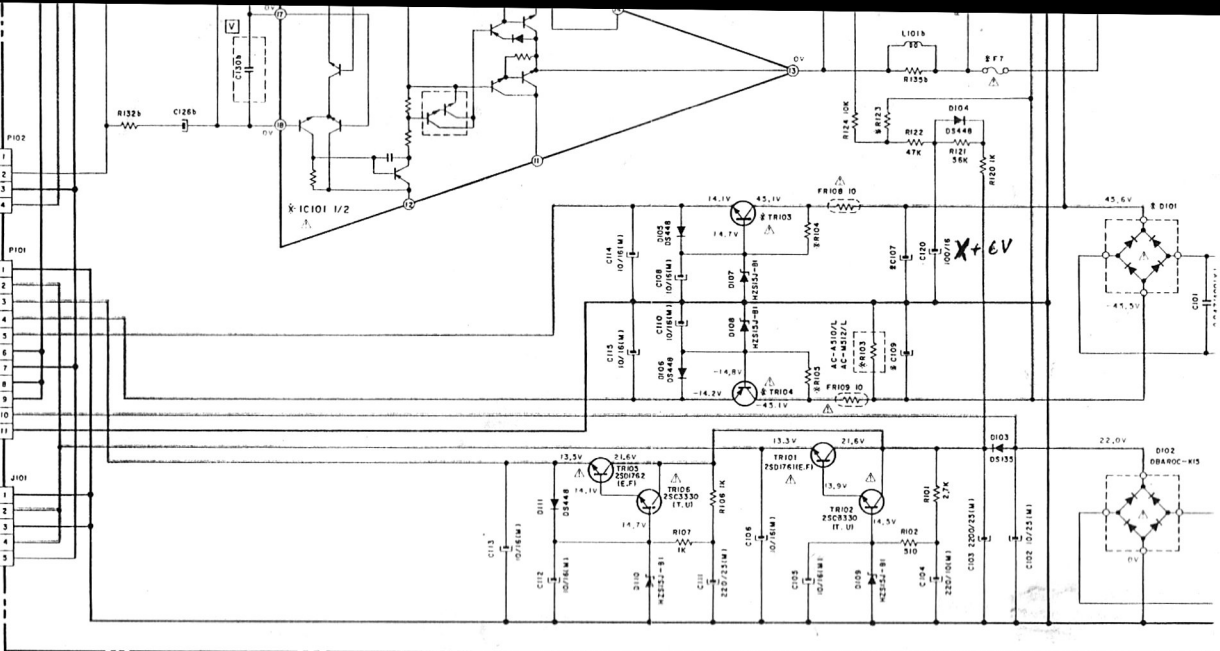
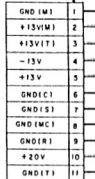
L R



TO BASE PCB(U02)
(AC-M512/L, AC-A510/L)

TO BASE PCB (U07)

TO DECK PCB
(M550, W007)



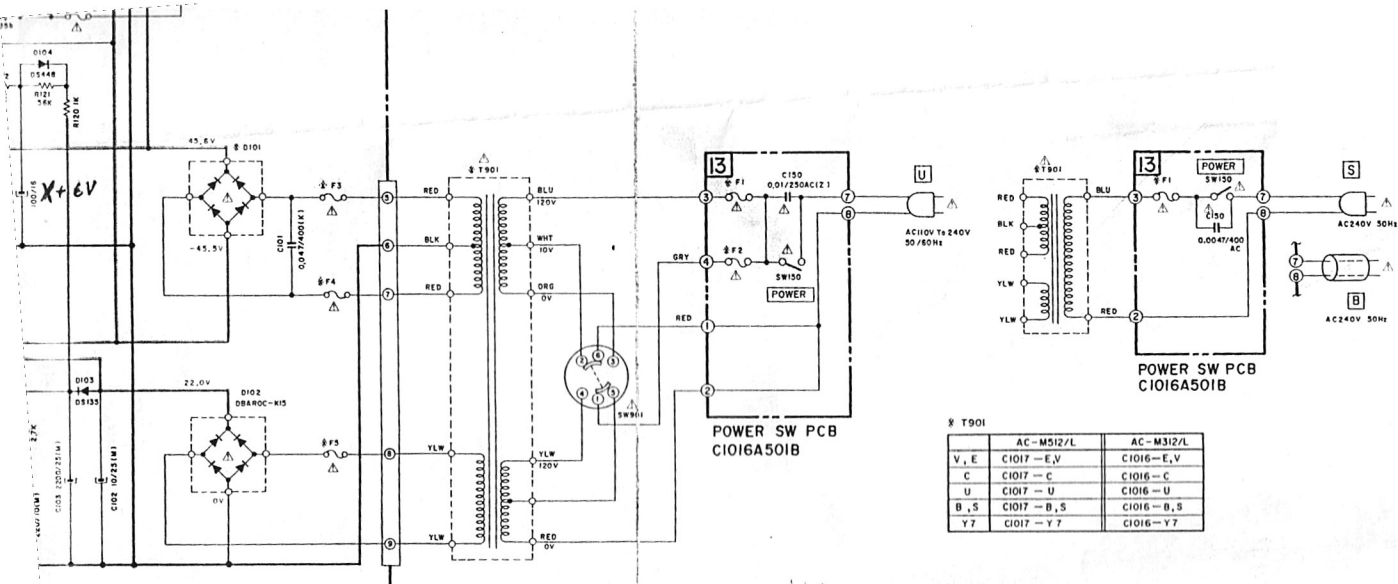
MAIN PCB C1016A501A

| * | C107 109 | D101 | IC101 | RI04 105 | RI23 | RI30 | TRIOD3 | TRIOD4 | RI03 |
|----------------------|----------|------------|------------|----------|------|------|----------------|----------------|---------|
| AC-M512/L, AC-A510/L | 4700/50 | DBA60C-K15 | STK4172-II | 12K | 270K | 680 | 2SD1761 (E, F) | 25B1187 (E, F) | 2W 2.2K |
| AC-M312/L | 4700/45 | DBA40C-K15 | STK4152-II | 10K | 220K | 750 | 2SD1762 (E, F) | 25B1185 (E, F) | |

* POWER
* SIGNAL L

| * | AC-M312/L | | | | | | | AC-M512/L, AC-A510/L | | | | | | |
|-----------|------------|-----------|-------------|-------------|-------------|------------|------------|----------------------|---------|-----------|-----------|-------------|-------------|-------------|
| | F1 | F2 | F3 | F4 | F5 | F6 | F7 | F1 | F2 | F3 | F4 | F5 | F6 | F7 |
| U | 1.6A/250V | 1.6A/250V | — | — | — | 4A/250V | 4A/250V | 2A/250V | 2A/250V | — | — | — | — | — |
| C | 3.15A/125V | — | 5A/125V | 5A/125V | 1.6A/125A | 4A/125V | 4A/125V | 3.15A/125V | — | 6.3A/125V | 6.3A/125V | 1.6A/125V | 4A/125V | 4A/125V |
| E · V · S | T1A/250V | — | T3.15A/250V | T3.15A/250V | T1.25A/250V | T2.5A/250V | T2.5A/250V | T1.25A/250V | — | T4A/250V | T4A/250V | T1.25A/250V | T3.15A/250V | T3.15A/250V |
| B | T1A/250V | — | T3.15A/250V | T3.15A/250V | T1.25A/250V | T2.5A/250V | T2.5A/250V | T1.25A/250V | — | T4A/250V | T4A/250V | T1.25A/250V | T3.15A/250V | T3.15A/250V |
| Y7 | 1.6A/250V | 1.6A/250V | — | — | — | 4A/250V | 4A/250V | 2A/250V | 2A/250V | — | — | — | 4A/250V | 4A/250V |

A B C D E F



X + 6V

2/FK
C103 1200/251W
C102 10/251M1

— B (POWER SUPPLY) LINE
- - - - - SIGNAL LINE

C-A510/L

| F5 | F6 | F7 |
|-------------|-------------|-------------|
| | 4A/250V | 4A/250V |
| T1.6A/125V | 4A/125V | 4A/125V |
| T1.25A/250V | T3.15A/250V | T3.15A/250V |
| T1.25A/250V | T3.15A/250V | T3.15A/250V |
| | 4A/250V | 4A/250V |

NOTE
UNLESS OTHERWISE SPECIFIED
ALL RESISTORS IN OHMS 1/4W(1J)
ALL CAPACITORS IN μ F 50WV(1J)
POWER TRANSFORMER DIFFERENT
ACCORDING TO AREA

WARNING: INDICATES SAFETY CRITICAL COMPONENTS. FOR CONTINUED SAFETY,
REPLACE SAFETY CRITICAL COMPONENTS ONLY WITH MANUFACTURER'S
RECOMMENDED PARTS.
AVERTISSEMENT: AL INDIQUE LES COMPOSANTS CRITIQUES DE SECURITE
POUR MAINTENIR LE DEGRE DE SECURITE DE L'APPAREIL.
NE REMPLACER QUE DES PIECES RECOMMANDEES PAR LE FABRICANT

X T901

| | AC-M512/L | AC-M312/L |
|------|--------------|--------------|
| V, E | C1017 - E, V | C1016 - E, V |
| C | C1017 - C | C1016 - C |
| U | C1017 - U | C1016 - U |
| B, S | C1017 - B, S | C1016 - B, S |
| Y7 | C1017 - Y7 | C1016 - Y7 |

AC-M312/L
AC-M512/L
AC-A510/L
MAIN
SCHEMATIC DIAGRAM
NO. 7-2 870424A