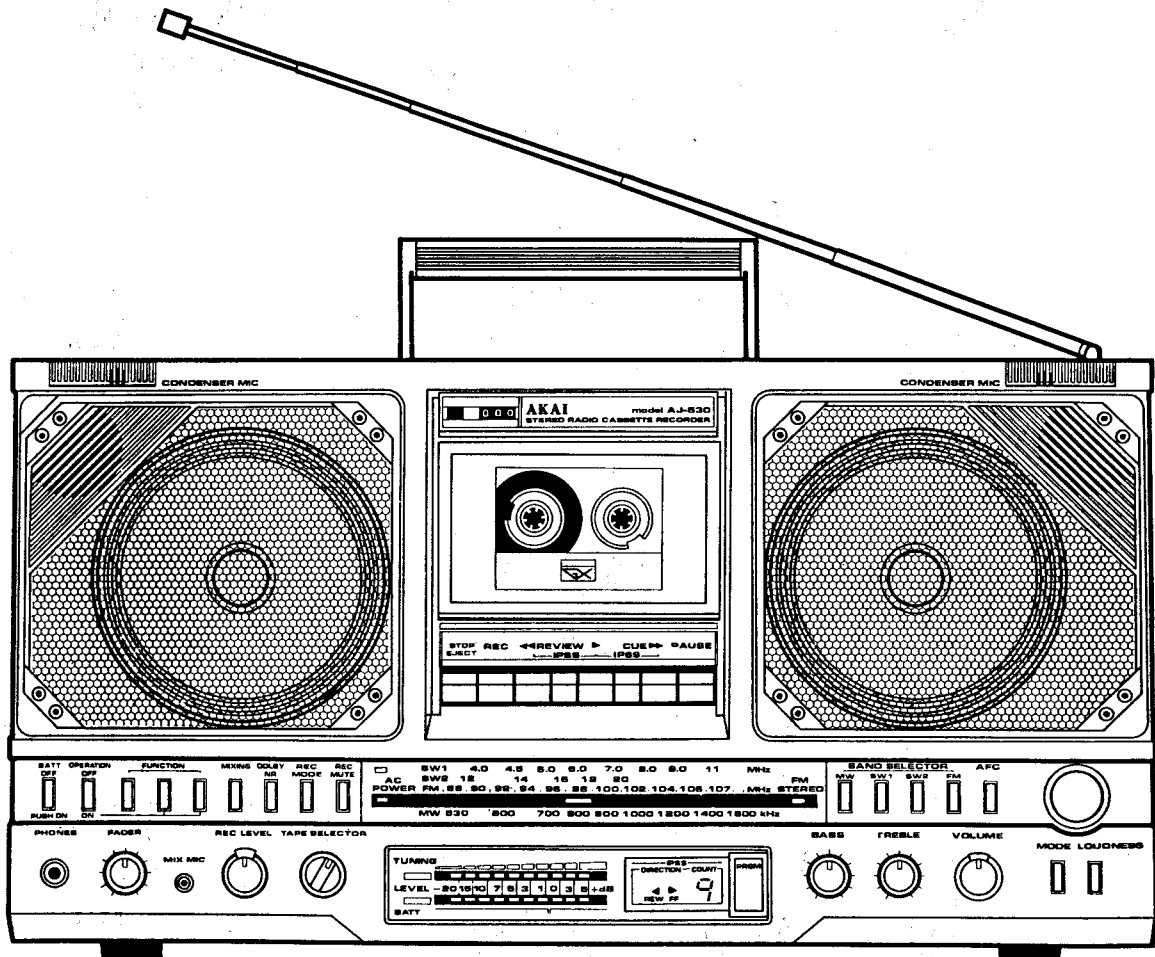


AKAI SERVICE MANUAL

AJ-520FS/FL



4 BAND STEREO RADIO CASSETTE RECORDER

MODEL **AJ-520FS/FL**

MODEL **AJ-530FS/FL**



AJ-520 FS/FL



AJ-530 FS/FL

4 BAND STEREO RADIO CASSETTE RECORDER

MODEL **AJ-520FS/FL**

MODEL **AJ-530FS/FL**

SECTION 1	SERVICE MANUAL	3
SECTION 2	PARTS LIST	39
SECTION 3	SCHEMATIC DIAGRAM	56

0

C

SECTION 1

SERVICE MANUAL

TABLE OF CONTENTS

I.	TECHNICAL DATA	4
	1. MODEL AJ-520 FS/FL	4
	2. MODEL AJ-530 FS/FL	5
II.	DISMANTLING OF UNIT	6
III.	CONTROLS	7
	1. MODEL AJ-520 FS/FL	7
	2. MODEL AJ-530 FS/FL	8
IV.	PRINCIPAL PARTS LOCATION	9
	1. MODEL AJ-520 FS/FL	9
	2. MODEL AJ-530 FS/FL	10
V.	VOLTAGE AND CYCLE CONVERSION	11
	1. U/T MODEL	11
	2. MODELS OTHER THAN U/T	11
VI.	MECHANISM AND HEAD ADJUSTMENT	12
	1. TAPE SPEED ADJUSTMENT	12
	2. HEAD ADJUSTMENT	12
VII.	REC/PB AMP ADJUSTMENT	13
VIII.	TUNER ADJUSTMENT	16
	1. FM SECTION ADJUSTMENT	18
	2. AM SECTION ADJUSTMENT	19
IX.	CLASSIFICATION OF VARIOUS P.C BOARDS	20
	1. P.C BOARD TITLES AND IDENTIFICATION NUMBERS	20
	2. MODEL AJ-520 FS/FL COMPOSITION OF VARIOUS P.C BOARDS	21
	3. MODEL AJ-530 FS/FL COMPOSITION OF VARIOUS P.C BOARDS	27

For basic adjustments, measuring methods, and operating principles, refer to GENERAL TECHNICAL MANUAL.

I. TECHNICAL DATA

1. Model AJ-520FS/FL

TYPE	4 Band Stereo Radio Cassette Recorder
FREQUENCY RANGES	
AJ-520FS:	FM: 87.6 – 108 MHz MW: 525 – 1,605 kHz SW ₁ : 3 – 8 MHz SW ₂ : 8 – 22 MHz
AJ-520FL:	FM: 87.6 – 107 MHz LW: 150 – 290 kHz MW: 525 – 1,605 MHz SW: 5.8 – 16 MHz
ANTENNAS	Rod Antenna for FM, SW and SW ₂ Bands, Built-in Bar Antenna for LW, MW and SW ₁ Bands External Antenna Terminal for all Bands
SPEAKER	2 Way 4 Speaker Woofer: 16 cm x 2 Tweeter: 5 cm x 2
MAX. POWER OUTPUT	6 W x 2
TAPE	Philips Type Cassette Tape
TRACK SYSTEM	4 Track 2 Channel Stereo System
MONITOR SYSTEM	Variable Monitor System
FF & REWIND TIME	Within 120 sec. (Using a C-60 Cassette Tape)
WOW & FLUTTER	0.09% (WRMS)
FREQUENCY RESPONSE	Metal: 50 to 17,000 Hz CrO ₂ : 50 to 13,000 Hz Normal: 50 to 12,000 Hz
DISTORTION	Less than 1.5% (Metal)
SIGNAL TO NOISE RATIO	Metal: 53 dB CrO ₂ : 52 dB Normal: 50 dB
POWER REQUIREMENTS	120V/60 Hz for Canada 220V/50 Hz for Europe except UK 240/50 Hz for UK & Australia 110 – 120V/220 – 240V, 50/60 Hz for Other Countries
POWER CONSUMPTION	U/T ... 35W, CSA ... 25W
DIMENSIONS	560(W) x 296(H) x 163(D) mm
WEIGHT	7.6 kg

* For improvement purposes, specifications and design are subject to change without notice.

2. Model AJ-530FS/FL

TYPE	4 Band Stereo Radio Cassette Recorder
FREQUENCY RANGES	
AJ-530FS:	FM: 87.6 – 108 MHz MW: 525 – 1,605 kHz SW ₁ : 3 – 8 MHz SW ₂ : 8 – 22 MHz
AJ-530FL:	FM: 87.6 – 107 MHz LW: 150 – 290 kHz MW: 525 – 1,605 MHz SW: 5.8 – 16 MHz
ANTENNAS	Rod Antenna for FM, SW and SW ₂ Bands, Built-in Bar Antenna for LW, MW and SW ₁ Bands External Antenna Terminal for all Bands
SPEAKER	2 Way 4 Speaker Woofer: 16 cm x 2 Tweeter: 5 cm x 2
MAX. POWER OUTPUT	10 W x 2
TAPE	Philips Type Cassette Tape
TRACK SYSTEM	4 Track 2 Channel Stereo System
MONITOR SYSTEM	Variable Monitor System
FF & REWIND TIME	Within 120 sec. (Using a C-60 Cassette Tape)
WOW & FLUTTER	0.09% (WRMS)
FREQUENCY RESPONSE	Metal: 50 to 17,000 Hz CrO ₂ : 50 to 13,000 Hz Normal: 50 to 12,000 Hz Less than 1.5% (Metal)
DISTORTION	Metal: 53 dB CrO ₂ : 52 dB Normal: 50 dB Dolby NR Switch On: Improves up to 10 dB above 5 kHz
SIGNAL TO NOISE RATIO	
POWER REQUIREMENTS	120V/60 Hz for Canada 220V/50 Hz for Europe except UK 240/50 Hz for UK & Australia 110 – 120V/220 – 240V, 50/60 Hz for Other Countries
POWER CONSUMPTION	U/T ... 45W, CSA ... 40W
DIMENSIONS	560(W) x 296(H) x 163(D) mm
WEIGHT	7.6 kg

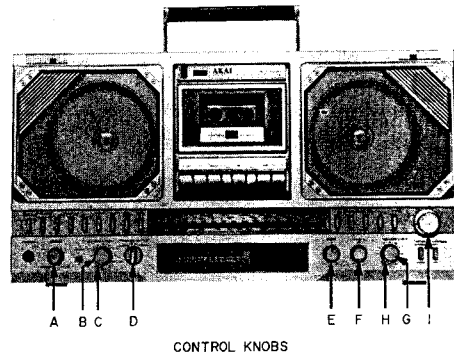
* For improvement purposes, specifications and design are subject to change without notice.

* "Dolby" and the Double D system are trademarks of Dolby Laboratories (Manufactured under license from Dolby Laboratories).

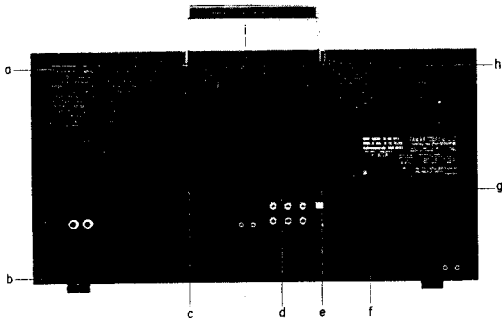
II. DISMANTLING OF UNIT

In case of trouble, etc. necessitating dismantling, please dismantle in the order shown in the photographs. Reassemble in reverse order.

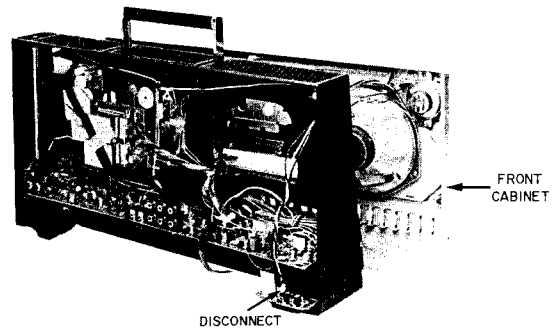
3



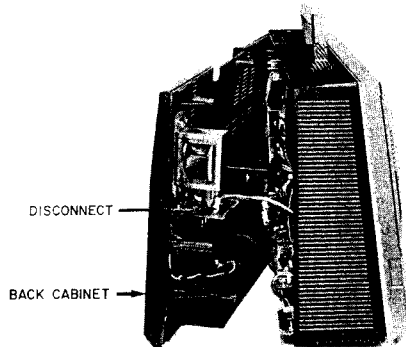
1



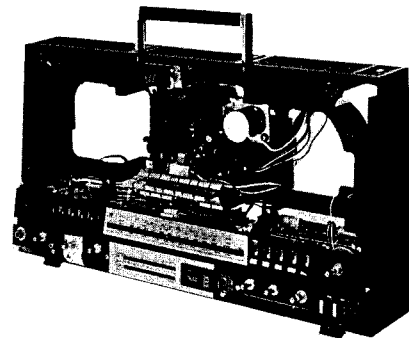
4



2



5



III. CONTROLS

1. Model AJ-520FS/FL

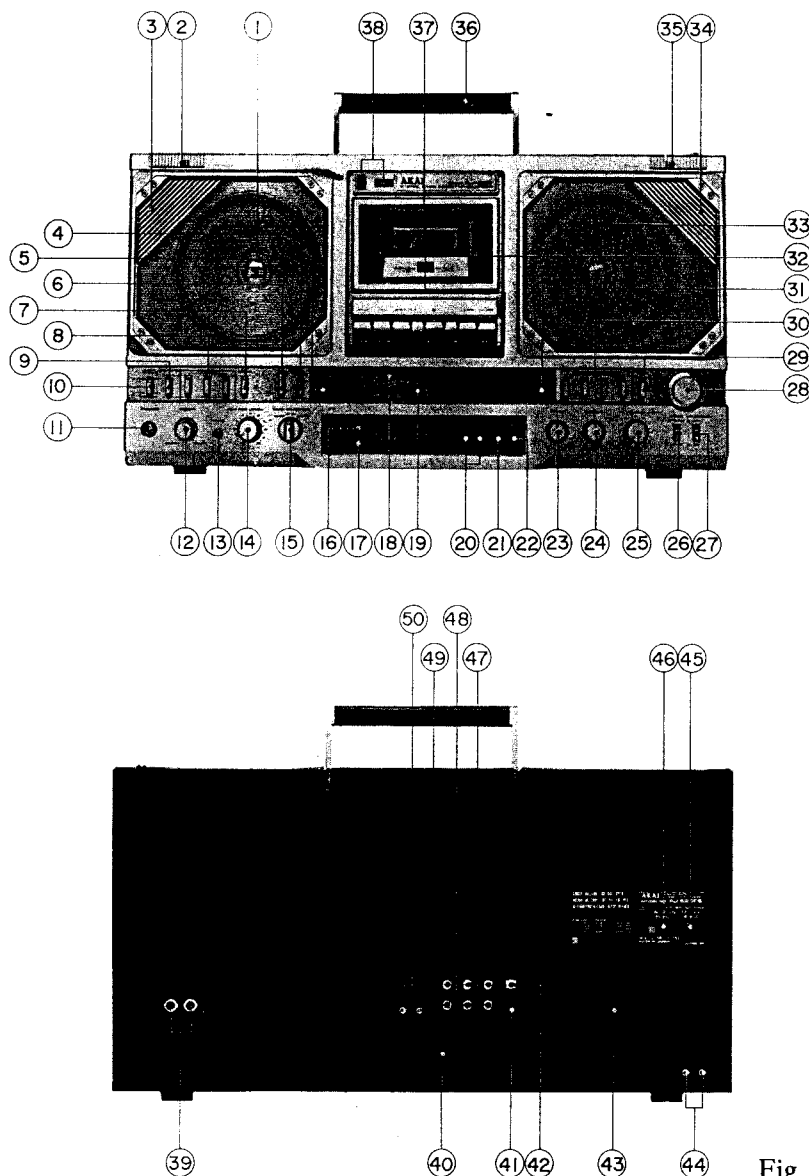


Fig. 1 Controls

- | | |
|---|--|
| 1. Left Woofer | 26. MODE Selector |
| 2. Built-in Microphone (left) | 27. LOUDNESS Switch |
| 3. Left Tweeter | 28. Tuning Knob |
| 4. AC POWER Indicator | 29. AFC (Automatic Frequency Control) Switch |
| 5. REC MUTE Selector | 30. BAND Selector |
| 6. REC MODE Switch | 31. FM STEREO Indicator |
| 7. MIXING Switch | 32. Operating Keys |
| 8. FUNCTION Selector | 33. Right Woofer |
| 9. OPERATION Switch | 34. Right Tweeter |
| 10. LED Indication selector (BATT) (Push: BATTERY check and TUNING) | 35. Built-in Microphone (right) |
| 11. HEADPHONE Jack | 36. Carrying Handle |
| 12. FADER Control | 37. Cassette Receptacle |
| 13. MIX-MIC (Mixing Microphone Input) Jack | 38. Index Counter and Reset Button |
| 14. Left → Right RECORDING LEVEL Controls | 39. Antenna Terminals |
| 15. TAPE SELECTOR | 40. Battery Compartment |
| 16. Left Level/Tuning LED Indicators | 41. PHONO/LINE Selector |
| 17. Right Level/Battery LED Indicators | 42. GROUND Terminal |
| 18. Dial Scale | 43. BEAT CUT Switch |
| 19. Frequency Indicator | 44. EXTERNAL SPEAKER Jacks |
| 20. Tape Direction Indicators (◀: Rewind, ▶: Fast Forward) | 45. DC Adapter Jack |
| 21. Digital Program Display | 46. AC Inlet |
| 22. IPSS Program Switch | 47. LINE OUTPUT Jacks |
| 23. BASS Control | 48. LINE INPUT Jacks |
| 24. TREBLE Control | 49. PHONO Jacks |
| 25. Left → Right VOLUME Control | 50. EXTERNAL MIC Jacks |

2. Model AJ-530FS/FL

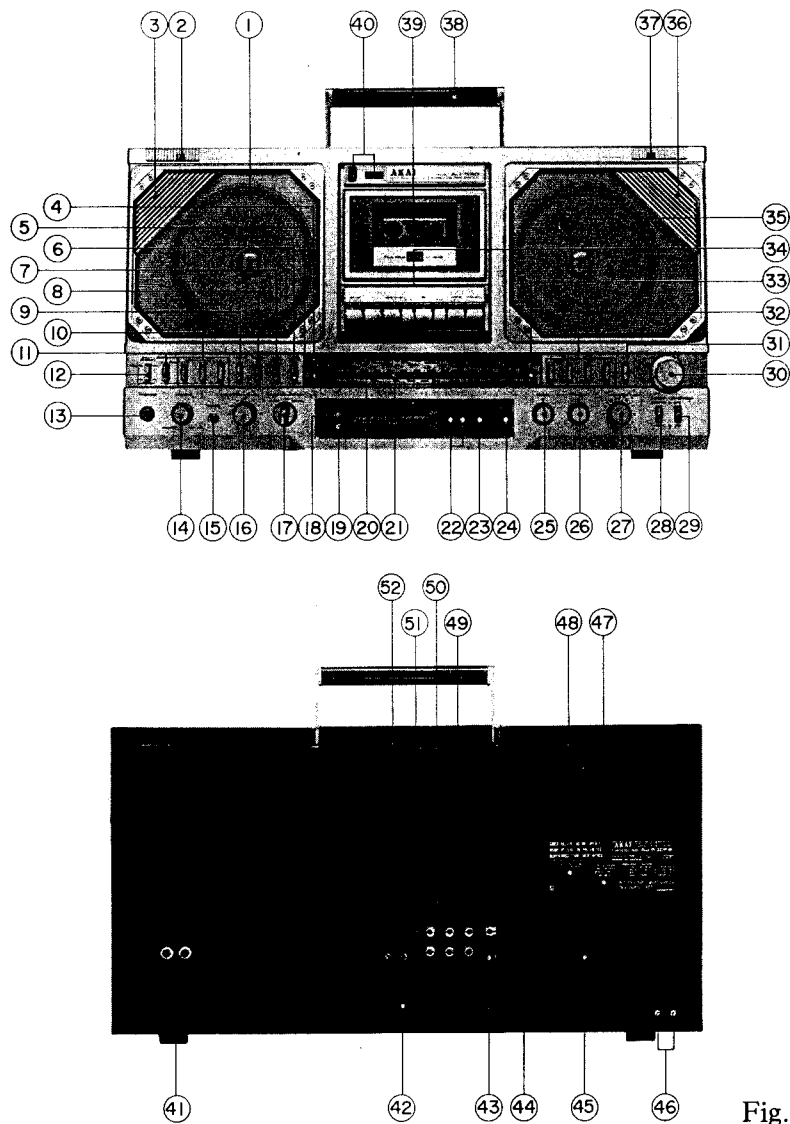


Fig. 2 Controls

- | | |
|---|--|
| 1. Left Woofer | 27. Left → Right VOLUME Control |
| 2. Built-in Microphone (left) | 28. MODE Selector |
| 3. Left Tweeter | 29. LOUDNESS Switch |
| 4. Dolby NR Indicator | 30. Tuning Knob |
| 5. AC POWER Indicator | 31. AFC (Automatic Frequency Control) Switch |
| 6. REC MUTE Selector | 32. BAND Selector |
| 7. REC MODE Switch | 33. FM STEREO Indicator |
| 8. DOLBY NR Switch | 34. Operating Keys |
| 9. MIXING Switch | 35. Right Woofer |
| 10. FUNCTION Selector | 36. Right Tweeter |
| 11. OPERATION Switch | 37. Built-in Microphone (right) |
| 12. LED Indication selector (BATT) (Push: BATTERY check and TUNING) | 38. Carrying Handle |
| 13. HEADPHONE Jack | 39. Cassette Receptacle |
| 14. FADER Control | 40. Index Counter and Reset Button |
| 15. MIX-MIC (Mixing Microphone Input) Jack | 41. Antenna Terminals |
| 16. Left → Right RECORDING LEVEL Controls | 42. Battery Compartment |
| 17. TAPE SELECTOR | 43. PHONO/LINE Selector |
| 18. Left Level/Tuning LED Indicators | 44. GROUND Terminal |
| 19. Right Level/Battery LED Indicators | 45. BEAT CUT Switch |
| 20. Dial Scale | 46. EXTERNAL SPEAKER Jacks |
| 21. Frequency Indicator | 47. DC Adapter Jack |
| 22. Tape Direction Indicators (◀: Rewind, ▶: Fast Forward) | 48. AC Inlet |
| 23. Digital Program Display | 49. LINE OUTPUT Jacks |
| 24. IPSS Program Switch | 50. LINE INPUT Jacks |
| 25. BASS Control | 51. PHONO Jacks |
| 26. TREBLE Control | 52. EXTERNAL MIC Jacks |

IV. PRINCIPAL PARTS LOCATION

1) Model AJ-520 FS/FL

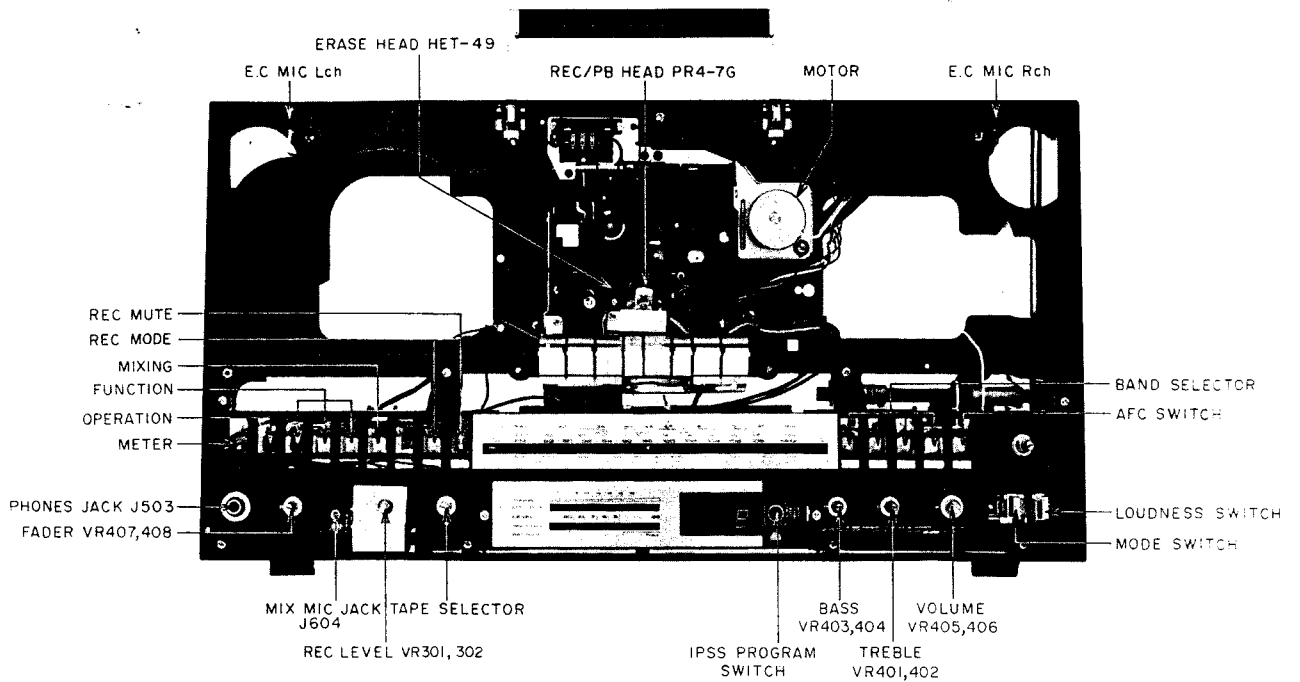


Fig. 3 Front View

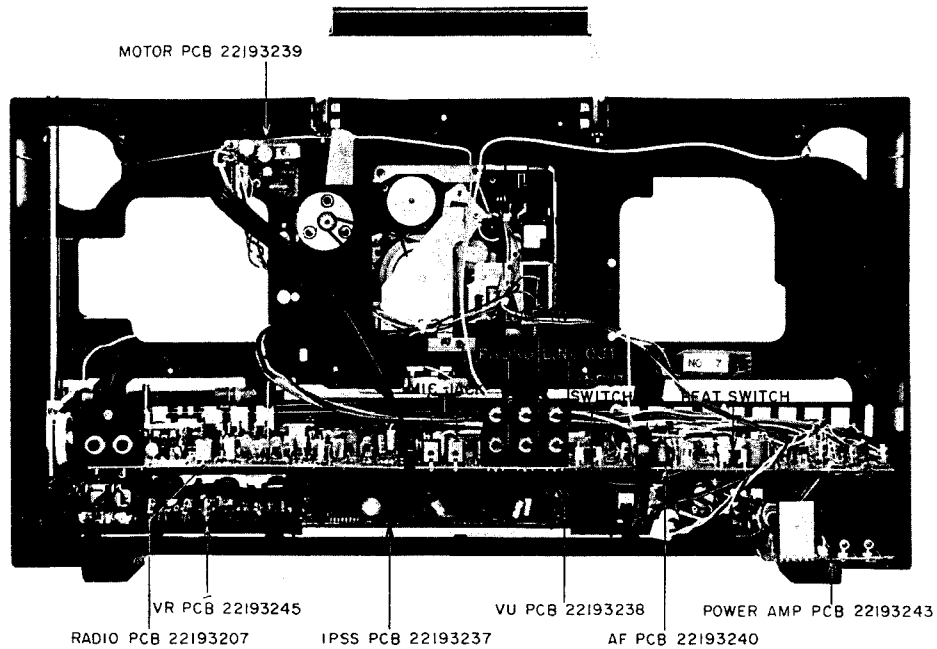


Fig. 4 Rear View

2) Model AJ-530 FS/FL

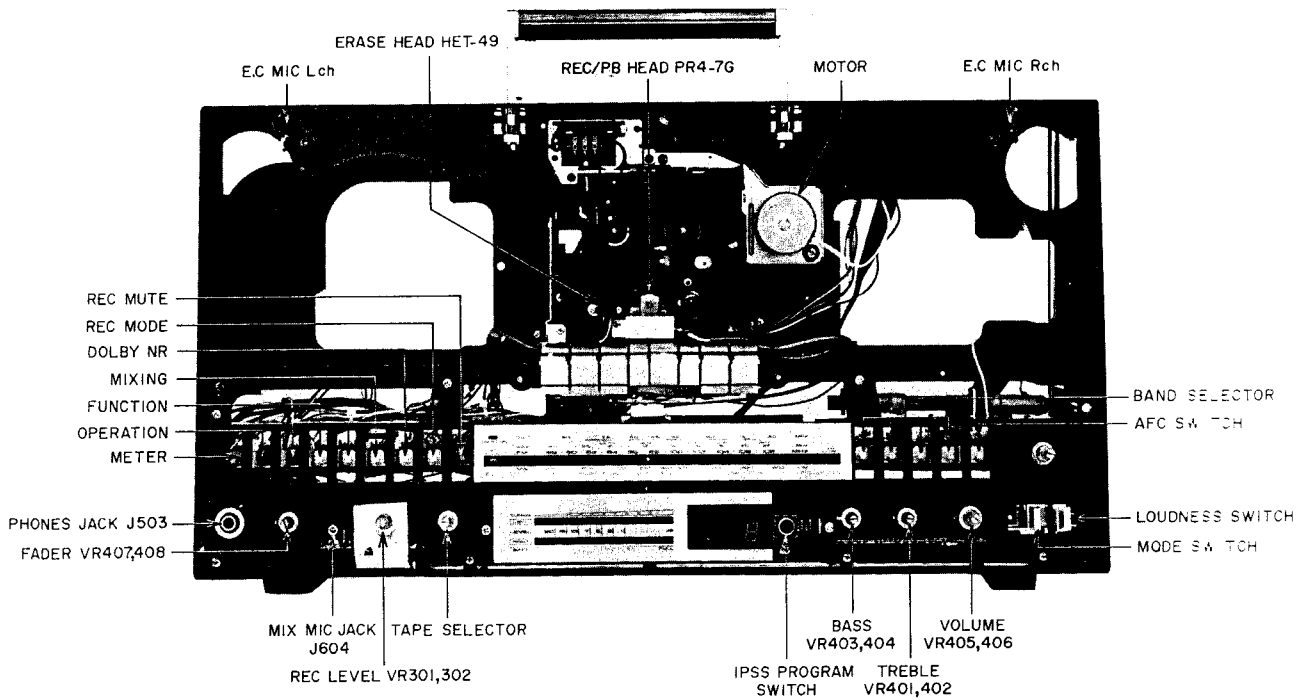


Fig. 5 Front View

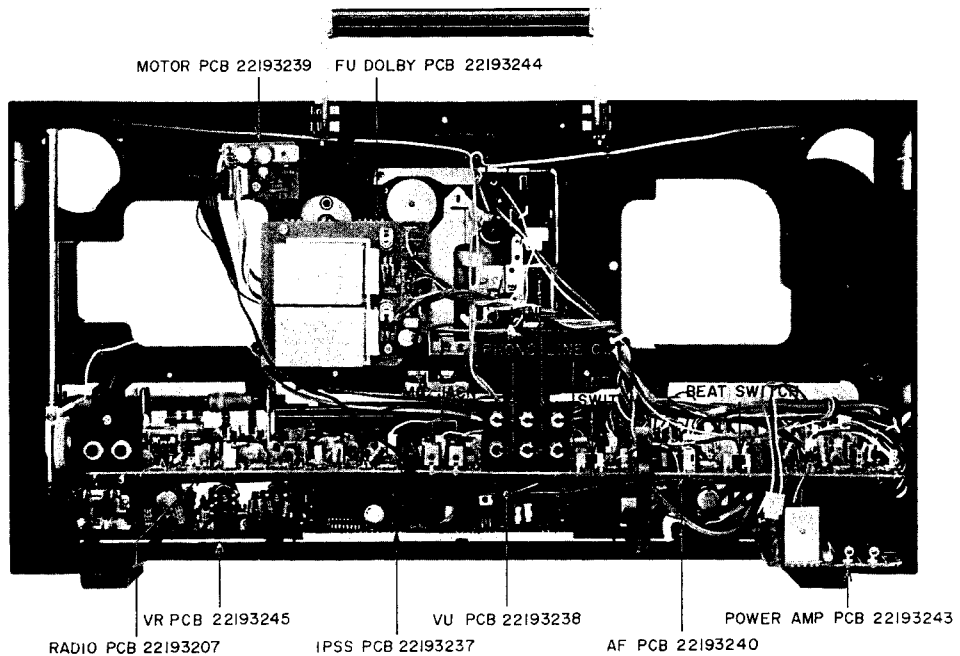


Fig. 6 Rear View

V. VOLTAGE AND CYCLE CONVERSION

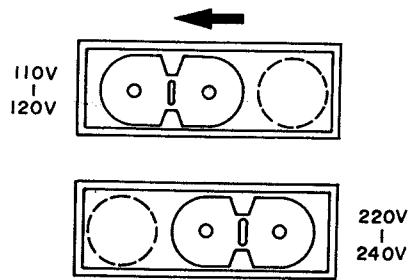


Fig. 7 Voltage Conversion

1. U/T MODEL (Refer to Fig. 7)

Voltage conversion to suit the different regions is carried out by the way the AC plug is inserted into the AC inlet at the rear.

The AC inlet is normally at 220 – 250V so please leave as it is for regions where the voltage is 220V to 240V.

If the region's voltage is 110V to 120V slide the AC plug to the right while slightly inserted and then fully insert into the new position.

There is no need to change the fuse.

2. MODELS OTHER THAN U/T

The voltages respectively rated cannot be converted.

VI. MECHANISM AND HEAD ADJUSTMENT

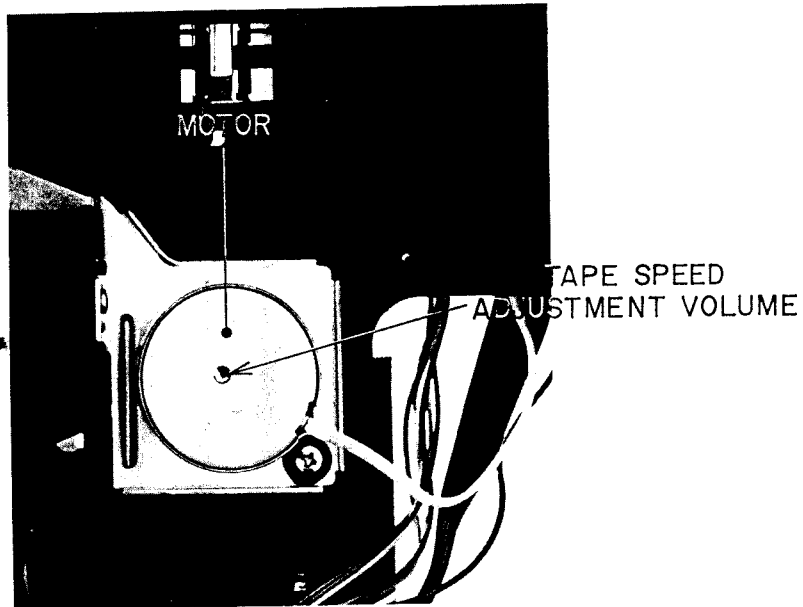


Fig. 8 Tape Speed Adjustment

1. TAPE SPEED ADJUSTMENT (Refer to Fig. 8)

Connect the Frequency Counter to the LINE OUT Jack.

Playback a 1,000 Hz cassette test tape and adjust the tape speed adjustment volume to obtain a tape speed of 1,000 Hz.

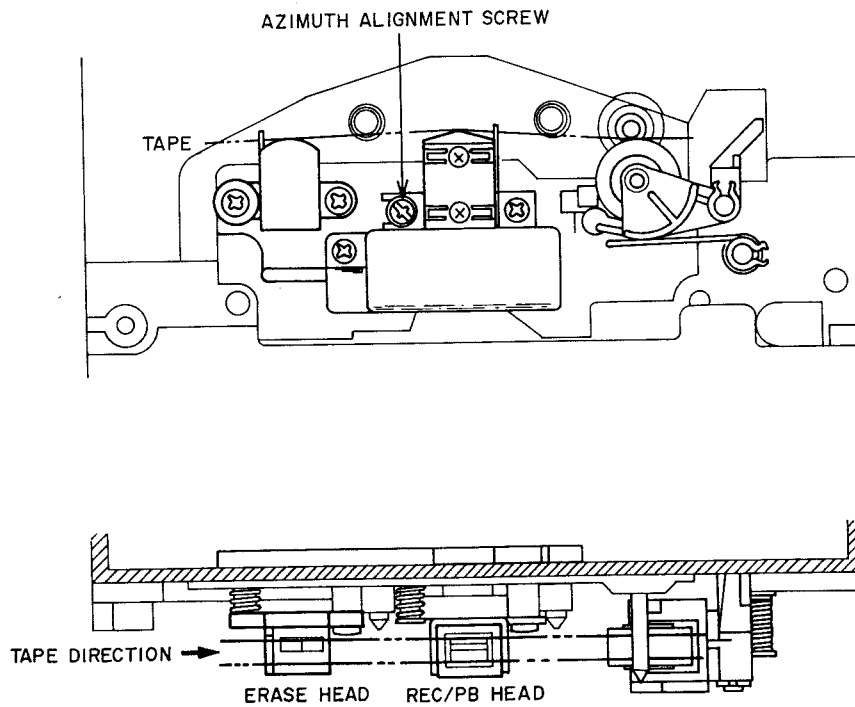


Fig. 9 Head Adjustment

2. HEAD ADJUSTMENT (Refer to Fig. 9)

Connect the High Sensitivity AC Voltmeter to the LINE OUT Jacks.

Playback a 10 kHz cassette test tape and adjust the azimuth alignment screw until the output level is at maximum on both channels.

VII. REC/PB AMP ADJUSTMENT

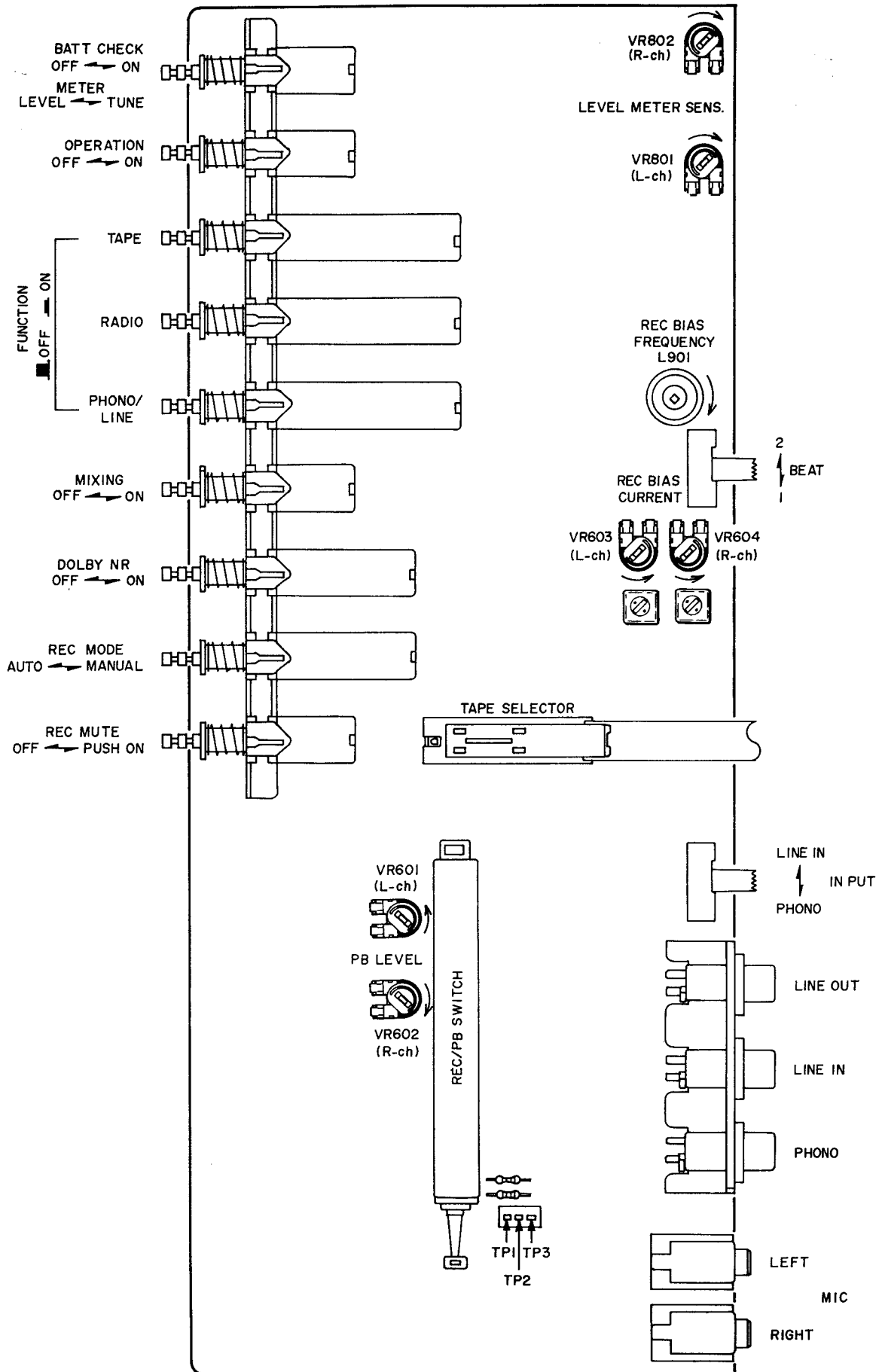


Fig. 10 AF P.C Board

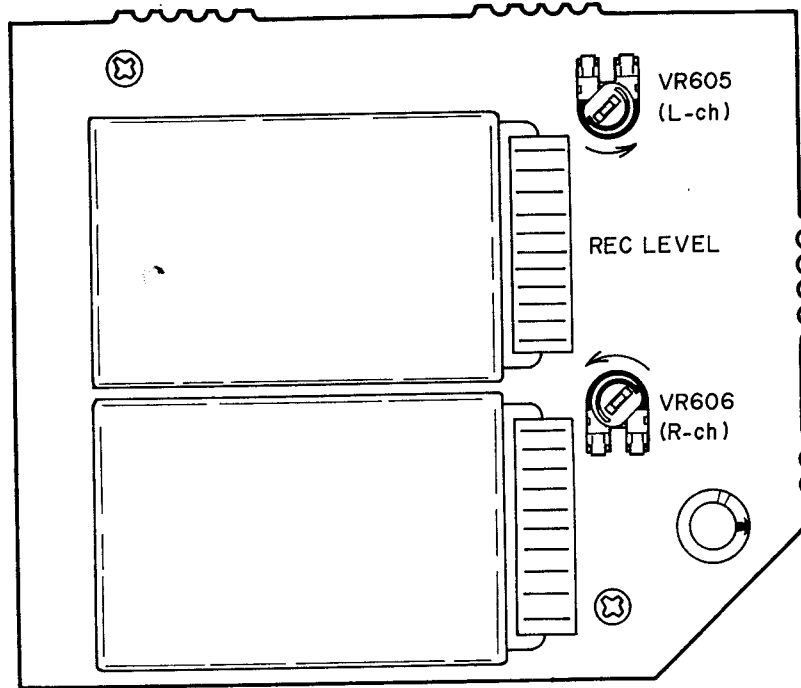


Fig. 11 FU Dolby P.C Board (AJ-530)

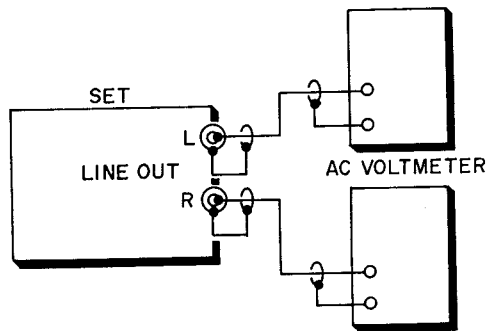


Fig. 12 PB Level Adjustment

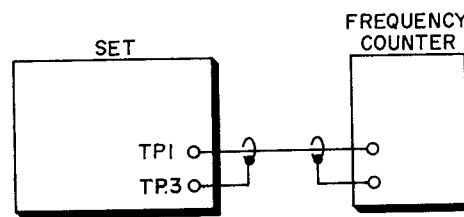


Fig. 13 REC Bias Frequency Adjustment

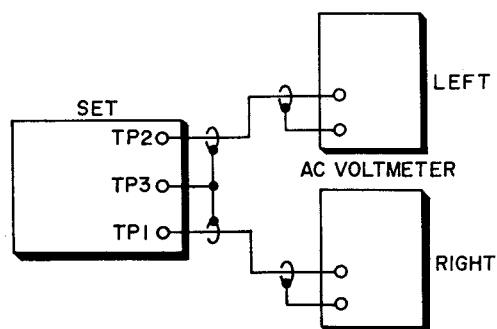


Fig. 14 REC Bias Current Adjustment

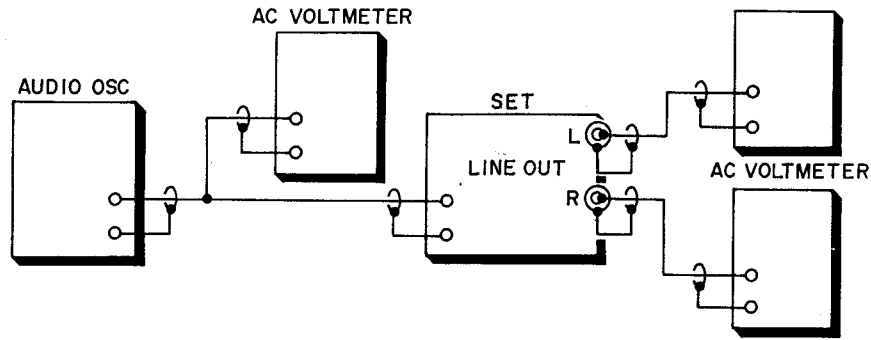


Fig. 15 REC Level Adjustment (AJ-530)

Step	Adjustment Item	Test Tape Supply Signal	Mode	Adjustment Point	Result	Remarks
1	Playback Level	333 Hz, OVU Test Tape	PLAY	VR601 (L-ch) VR602 (R-ch) (AF PCB)	-5.5 ±0.5 dBm (410 mV)	Function SW. to TAPE Fig. 10, 12
2	Level Meter Sens	333 Hz OVU Test Tape	PLAY	VR801 (L-ch) VR802 (R-ch) (AF PCB)	To turn on 0 dB LED	Function SW. To TAPE Fig. 10
3	Rec Bias Frequency	Blank Tape	REC/ PAUSE	L901 (AF PCB)	86 kHz (BEAT Switch to 1) 82 kHz (BEAT Switch to 2)	Fig. 10, 13
4	Rec Bias Current	Blank Tape No Signal Input	REC/ PAUSE	VR603 (L-ch) VR604 (R-ch) (AF PCB)	Normal Position: 5 mV CrO ₂ Position: 7 mV	Fig. 10, 14
5	Recording Level (AJ-530)	LN Blank Tape 400 Hz 100 mV Input	REC/ PLAY	VR605 (L-ch) VR606 (R-ch) (FU Dolby PCB)	410 mV (LINE OUT)	Fig. 11, 15 NOTES. 4

- NOTES:
1. Set the Dolby NR switch to OFF. (AJ-530)
 2. Set the MIXING switch to OFF.
 3. Set the REC MODE switch to AUTO.
 4. Set the FUNCTION switch to PHONO/LINE position when REC and set the TAPE position when playback.
 5. Set the INPUT switch to LINE.

VIII. TUNER ADJUSTMENT

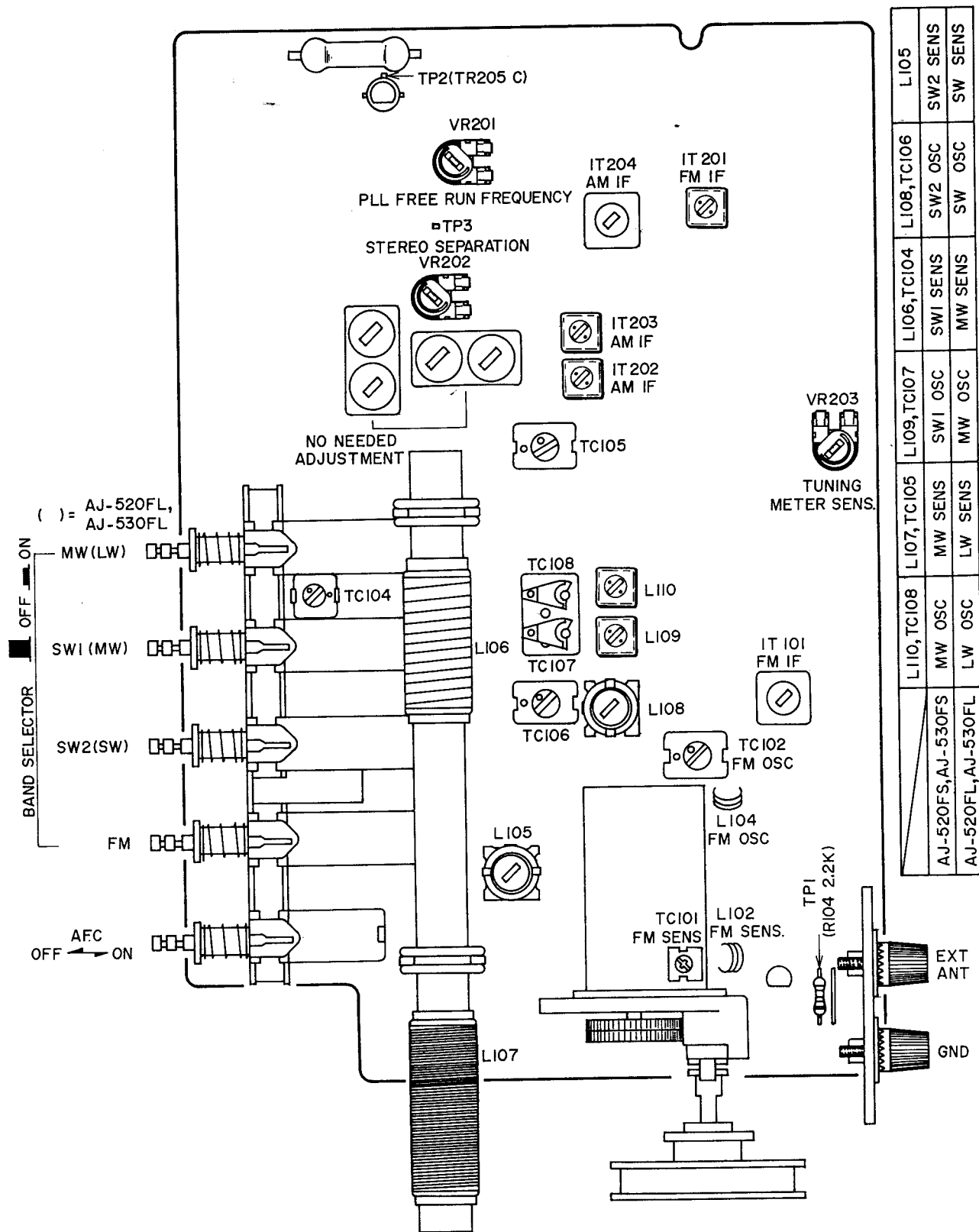


Fig. 16 Tuner P.C Board

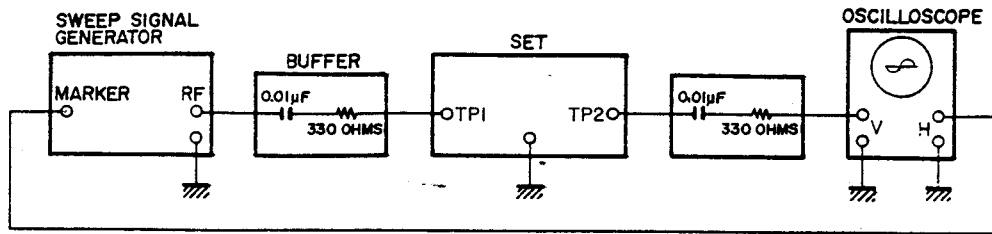


Fig. 17 FM IF Adjustment

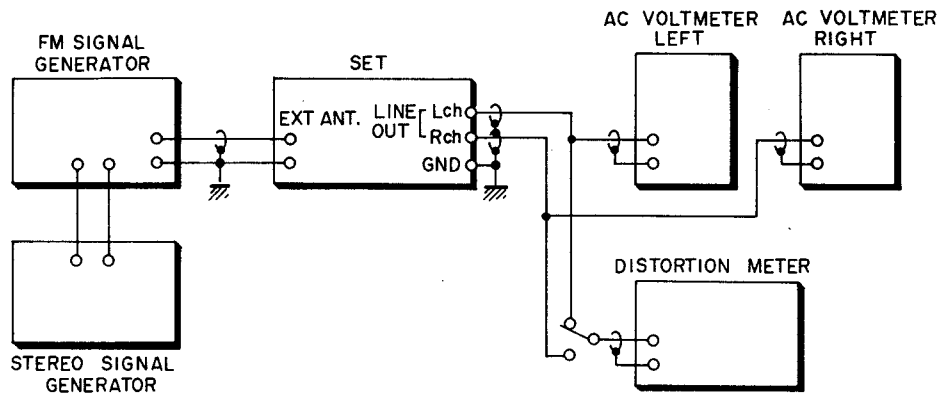


Fig. 18 FM Tracking and Stereo Adjustment

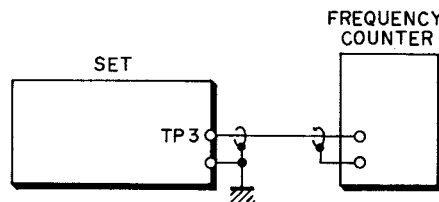


Fig. 19 PLL IC Free Running Frequency Adjustment

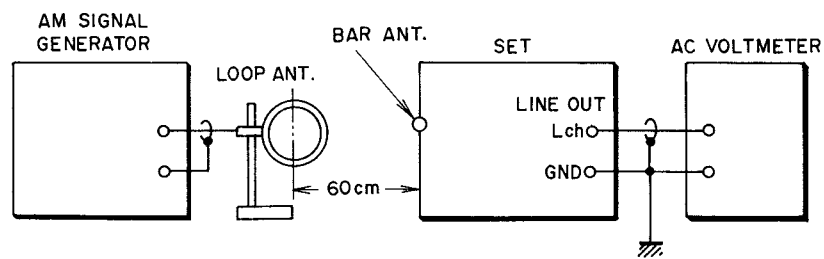


Fig. 20 MW, LW, SW₁ Adjustment

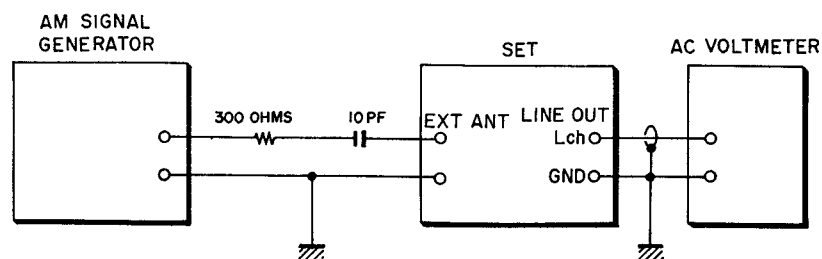
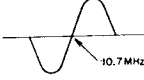


Fig. 21 SW, SW₂ Adjustment

1. FM SECTION ADJUSTMENT

Step	Adjustment Item	Adjustment Points	Results	Remarks
1	IF Adjustment	IT101 (VLT) IT201 (BLK)	 10.7 MHz Maximum S curve waveform (Upper/ lower waveform symmetry)	Fig. 16, 17
2	Frequency Range	L104 (88 MHz) TC102 (106 MHz)	88 106 Maximum Output Minimum Distortion	Fig. 16, 18
3	Sensitivity	L102 (88 MHz) TC101 (106 MHz)	Maximum Output Minimum Distortion	Fig. 16, 18
4	PLL IC Free Running Frequency	VR201	19.00 kHz \pm 30 Hz	Fig. 16, 19
5	Stereo Indicator Lamp Confirmation			98 MHz, 60 dB (Stereo) input. If stereo indicator lamp fails to light, this means that stereo broadcasts are not being re- ceived (Stereo separation not attained). Fig. 16, 18
6	Stereo Separation (Left \rightarrow Right)	VR202	Minimum Output at Rch	98 MHz, 60 dB (Stereo) Lch input. Fig. 16, 18
7	Stereo Separation (Right \rightarrow Left)	VR202	Minimum Output at Lch	98 MHz, 60 dB (Stereo) Rch input. Fig. 16, 18
8	Tuning Meter Sensitivity	VR203	All Tuning LEDs must be lighted.	98 MHz, 34 dB (mono) input. Meter Switch to TUNE. (Push) Fig. 16, 18

- NOTES: 1. Set the OPERATION Switch to ON.
 2. Set the FUNCTION Switch to RADIO.
 3. Set the BANK SELECTOR Switch to FM.
 4. Set the AFC Switch to OFF.

2. AM SECTION ADJUSTMENT (Refer to Figs. 16, 20, 21)

Step	Band	Adjustment Items	Adjustment Points		Remarks
			AJ-530FS	AJ-530FL	
1	MW 525 kHz to 1,605 kHz	IF Adjustment	IT202 IT203 IT204	IT202 IT203 IT204	Tuning knob fully counterclockwise. 460 kHz from AM SSG. Adjust for Maximum Output.
2		Frequency Range	L110 (RED) (530 kHz) TC108 (1,600 kHz)	L109 (RED) (530 kHz) TC107 (1,600 kHz)	530 1600 Maximum Output
3		Sensitivity	L107 (Bar Antenna Coil 530 kHz) TC105 (1,600 kHz)	L106 (Bar Antenna Coil 530 kHz) TC104 (1,600 kHz)	Maximum Output
4	SW 5.8 MHz to 16 MHz	Frequency Range		L108 (7.0 MHz) TC106 (16 MHz)	70 16 Maximum Output
5		Sensitivity		L105 (10 MHz)	Maximum Output
6	SW ₁ 3.0 MHz to 8.0 MHz	Frequency Range	L109 (BLK) (3.0 MHz) TC107 (8.0 MHz)		30 80 Maximum Output
7		Sensitivity	L106 (Bar Antenna Coil 3.0 MHz) TC104 (8.0 MHz)		Maximum Output
8	SW ₂ 8.0 MHz to 26 MHz	Frequency Range	L108 (8.0 MHz) TC106 (22 MHz)		80 22 Maximum Output
9		Sensitivity	L105 (12 MHz)		Maximum Output
10	LW 150 kHz to 290 kHz	Frequency Range		L110 (150 kHz) TC108 (290 kHz)	150 290 Maximum Output
11		Sensitivity		L107 (Bar Antenna Coil 150 kHz) TC104 (290 kHz)	Maximum Output

IX. CLASSIFICATION OF VARIOUS P.C BOARDS

1. P.C BOARD TITLES AND IDENTIFICATION NUMBERS

1) Model AJ-520FS/FL

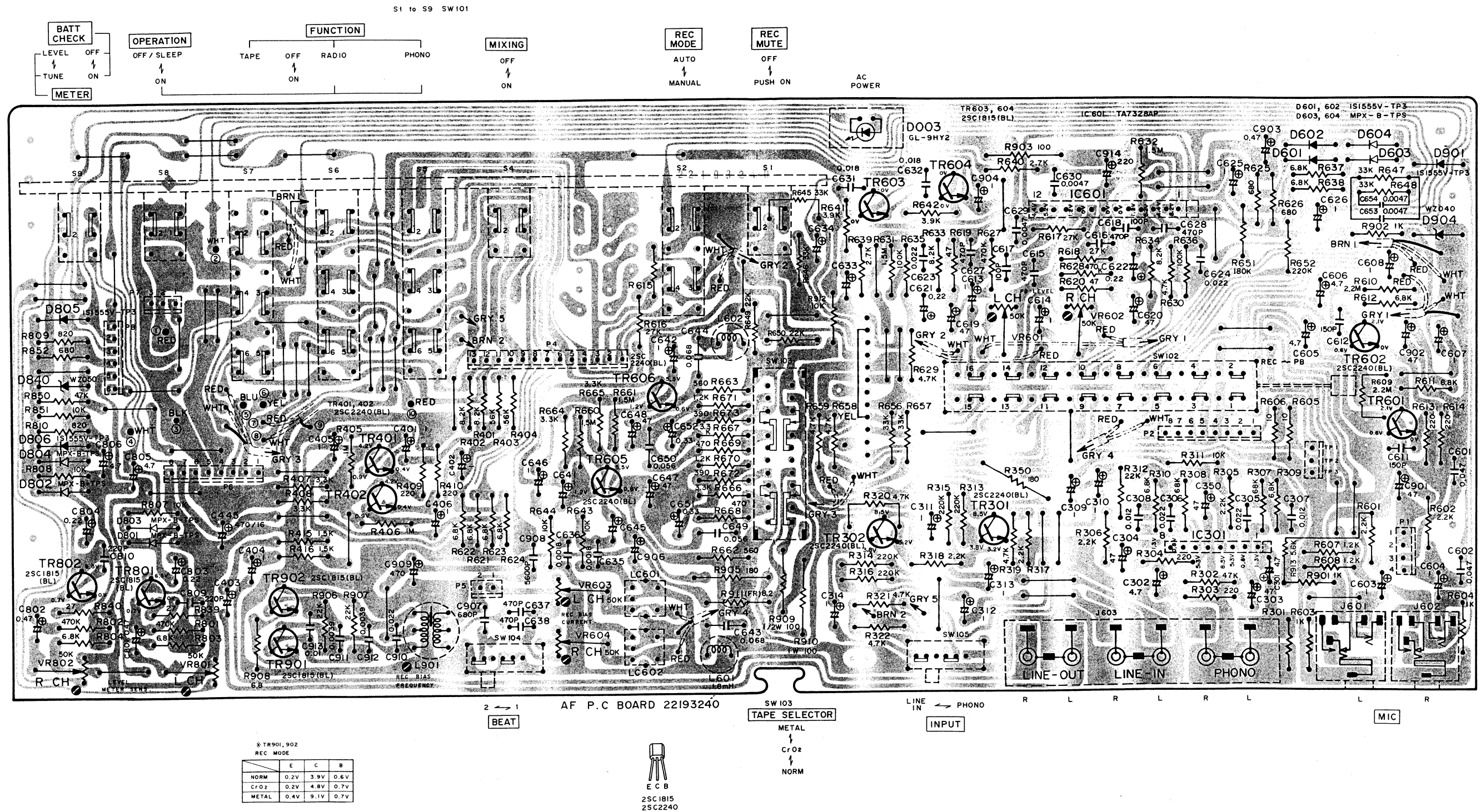
P.C Board Title	P.C Board Number
AF P.C Board	22193240
Radio P.C Board	22193207
IPSS P.C Board	22193237
VU P.C Board	22193238
VR P.C Board	22193245
Power Amp P.C Board	22193243
Motor P.C Board	22193239
Power Supply P.C Board	22193242

2) Model AJ-530FS/FL

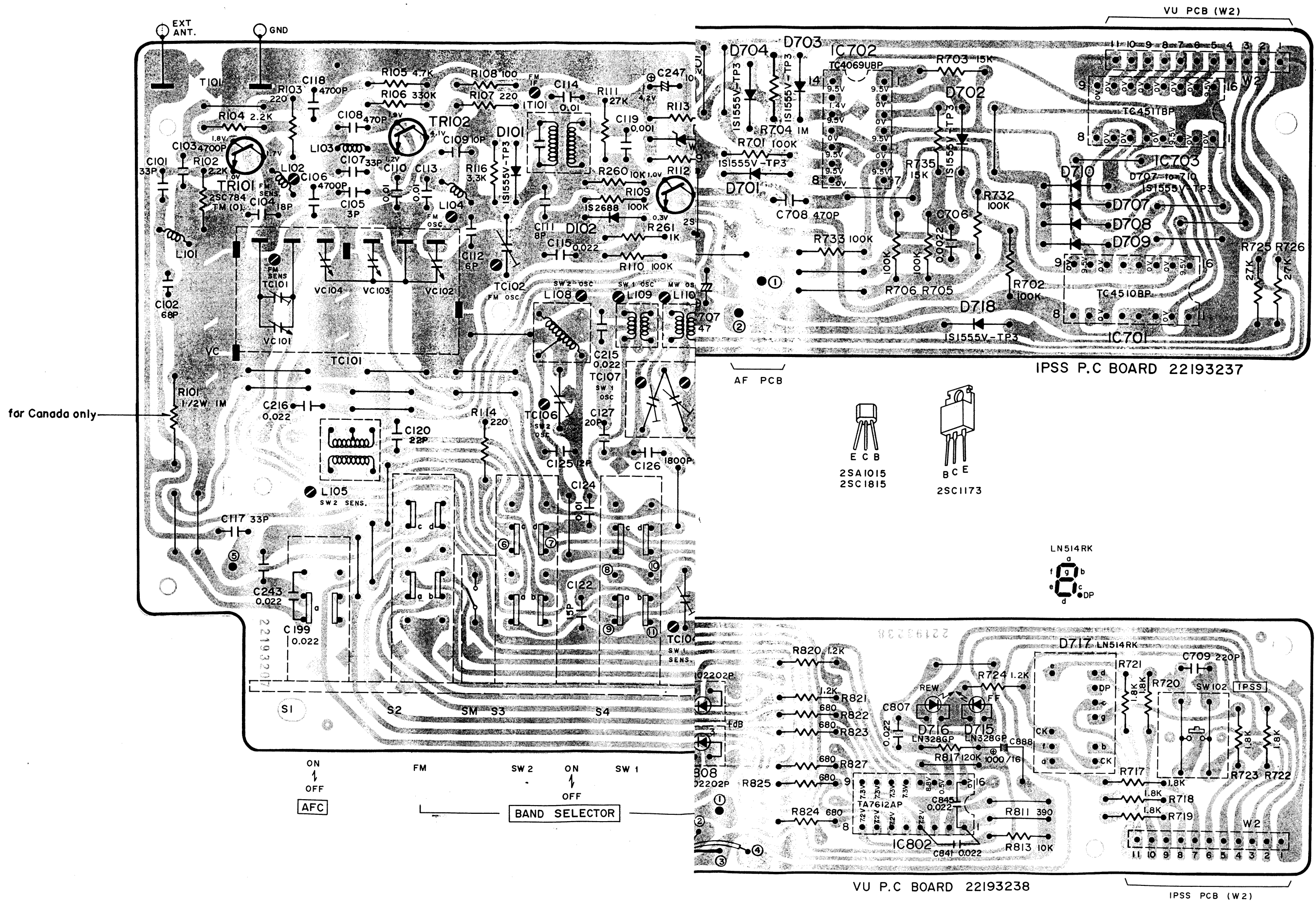
P.C Board Title	P.C Board Number
AF P.C Board	22193240
Radio P.C Board	22193207
IPSS P.C Board	22193237
VU P.C Board	22193238
VR P.C Board	22193245
Power Amp P.C Board	22193243
Motor P.C Board	22193239
Power Supply P.C Board	22193242
FU Dolby	22193244
LED P.C Board	22193241

2. Model AJ-520FS/FL COMPOSITION OF VARIOUS P.C BOARDS

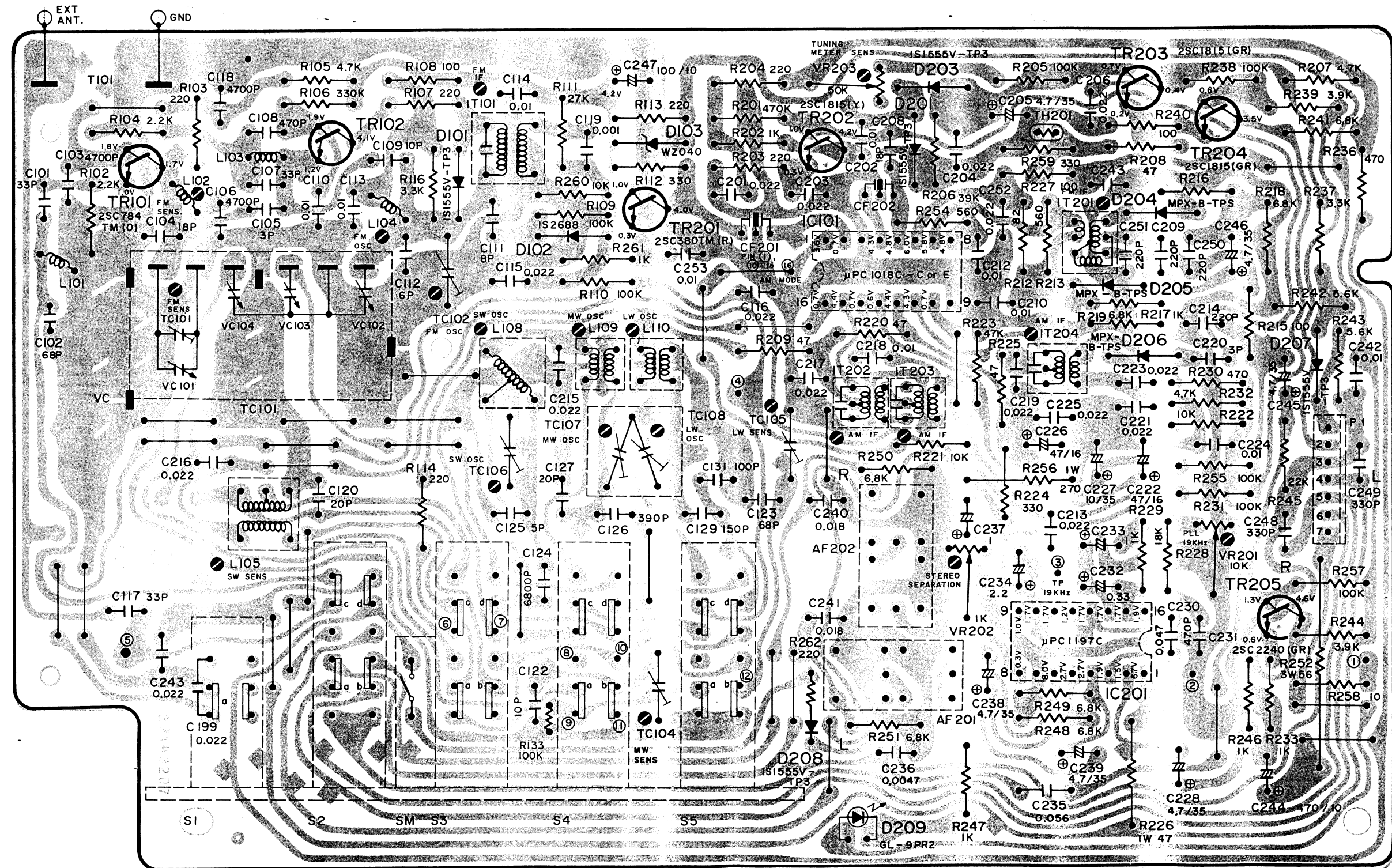
1) AF P.C Board 22193240 (AJ-520 FS/FL)



2) Radio P.C Board 22193207 (AJ-520FS)



3) Radio P.C Board 22193207 (AJ-520FL)

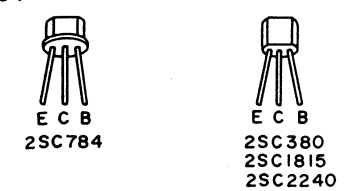


ON
OFF
AFC

FM SW ON MW LW FM ST

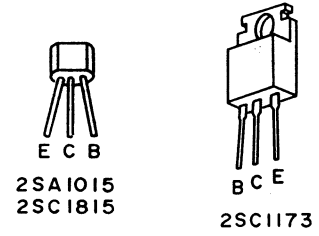
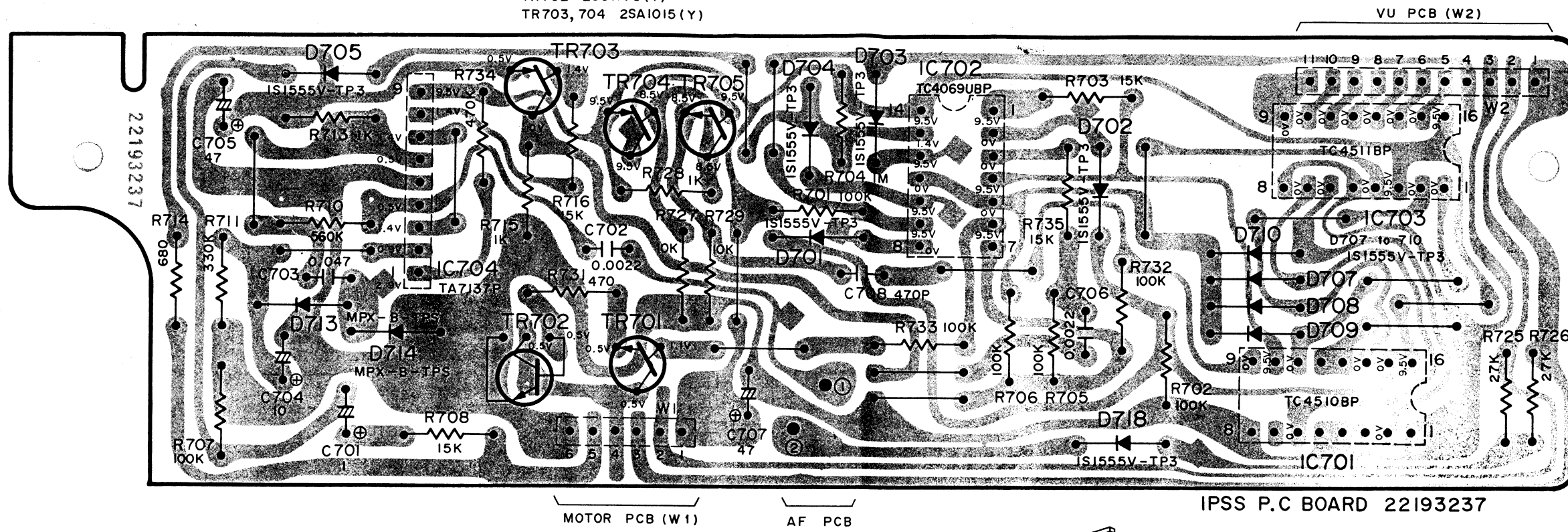
OFF
BAND SELECTOR

RADIO P.C BOARD 22193207

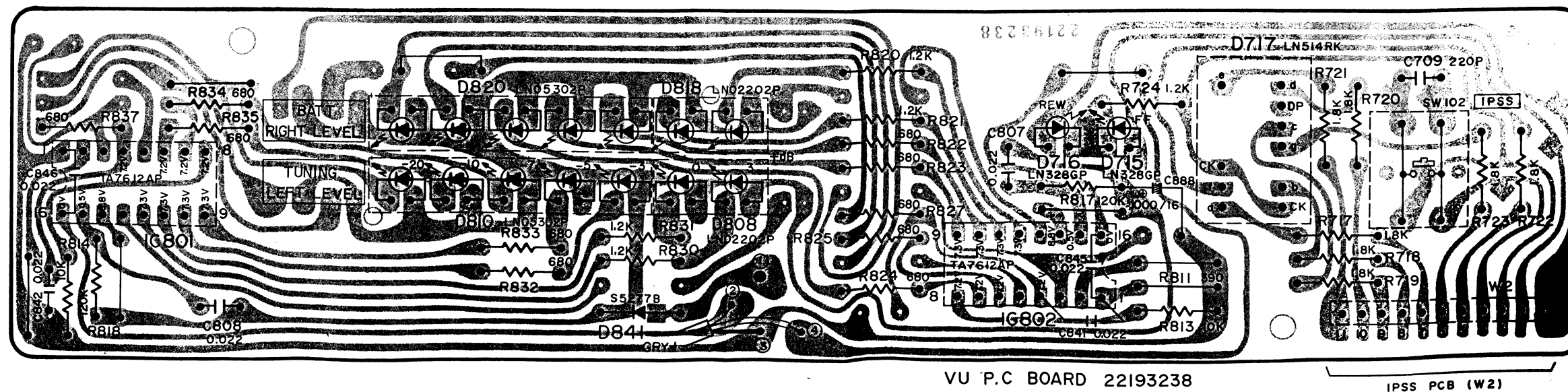


4) IPSS P.C Board 22193237 (AJ-520 FS/FL)

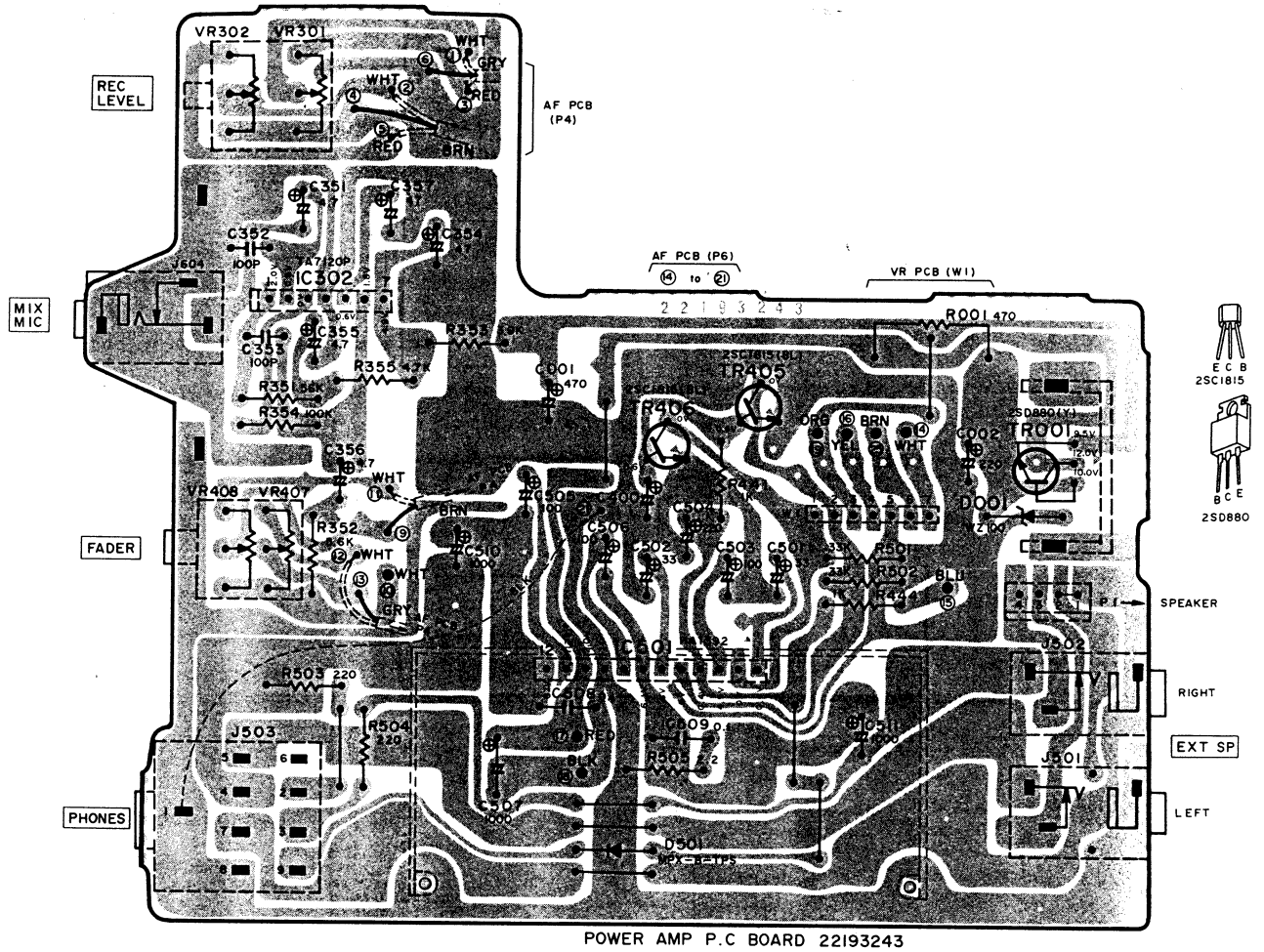
TR 701, 705 2SC1815 (BL)
 TR 702 2SC1173 (Y)
 TR 703, 704 2SA1015 (Y)



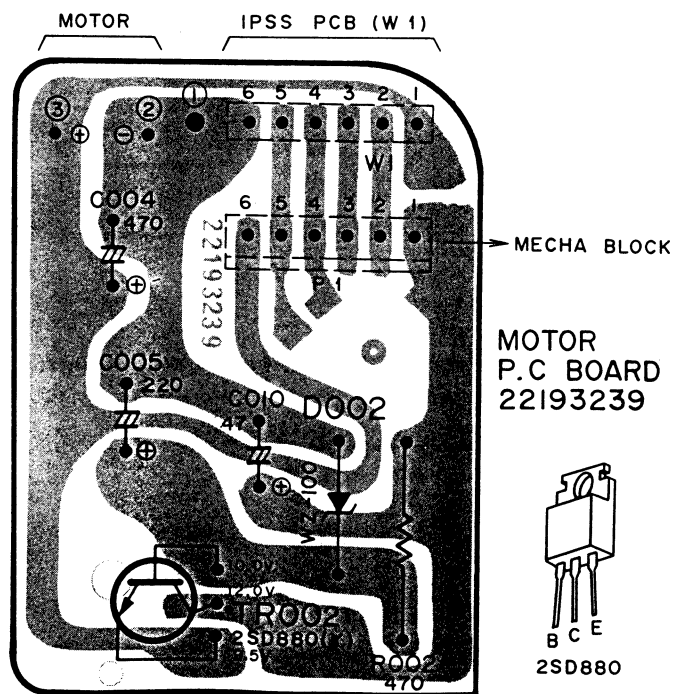
5) VU P.C Board 22193238 (AJ-520 FS/FL)



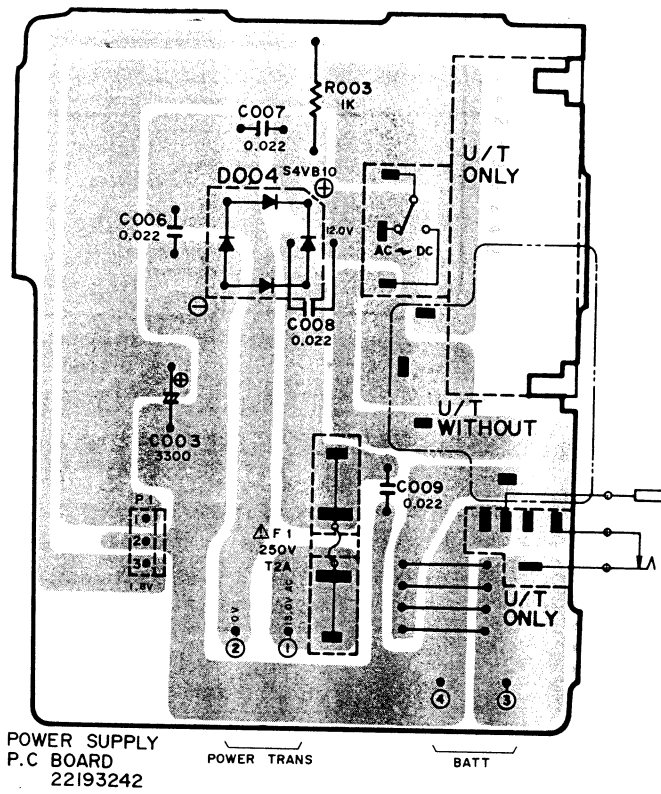
6) Power Amp P.C Board 22193243 (AJ-520 FS/FL)



7) Motor P.C Board 22193239 (AJ-520 FS/FL)



8) Power Supply P.C Board 22193242 (AJ-520 FS/FL)

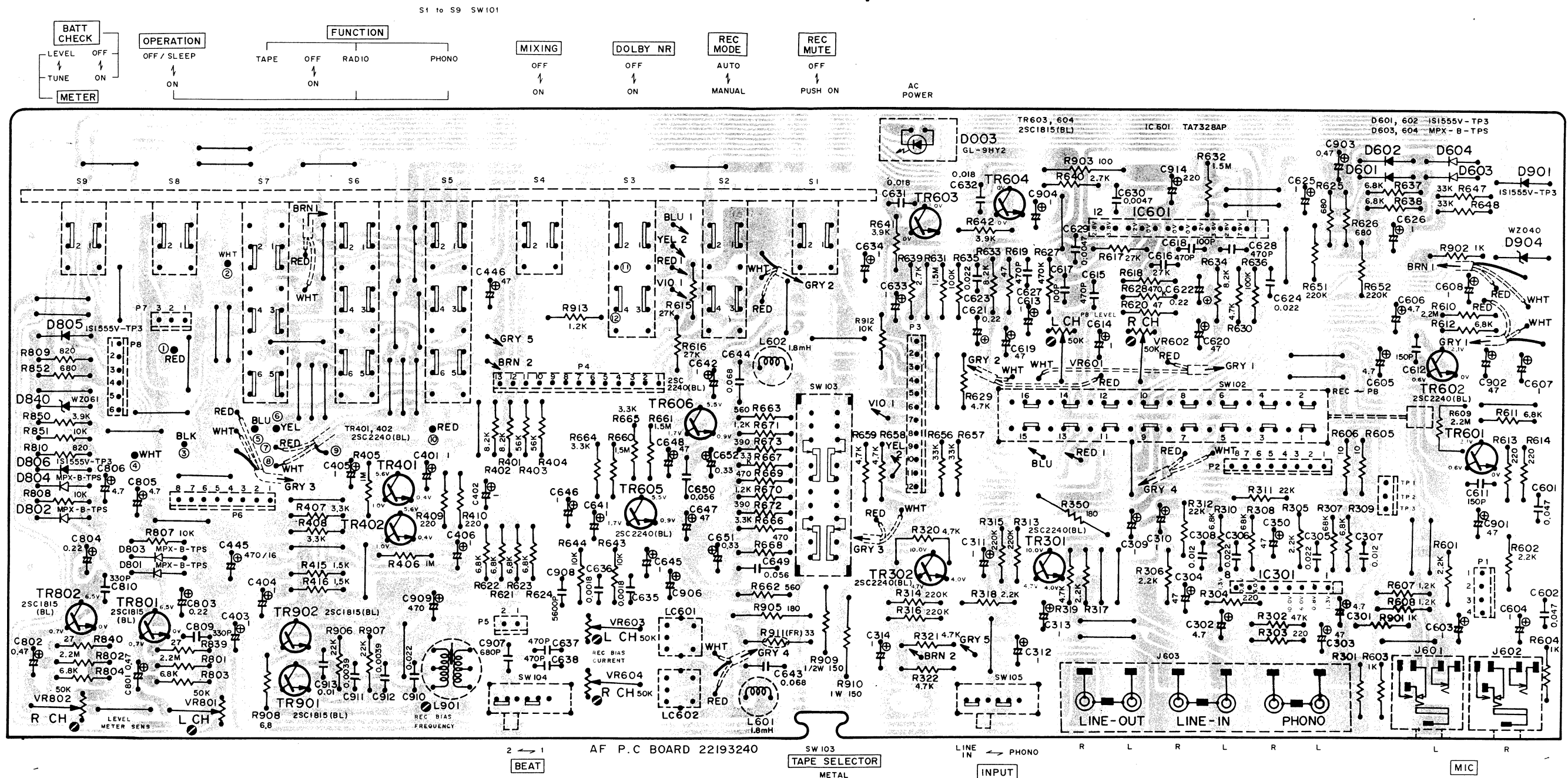


WARNING: Δ INDICATES SAFETY CRITICAL COMPONENTS. FOR CONTINUED SAFETY, REPLACE SAFETY CRITICAL COMPONENTS ONLY WITH MANUFACTURER'S RECOMMENDED PARTS.

AVERTISSEMENT: Δ IL INDIQUE LES COMPOSANTS CRITIQUES DE SÛRETÉ. POUR MAINTENIR LE DEGRÉ DE SÛRETÉ DE L'APPAREIL NE REMPLACEZ LES COMPOSANTS DONT LE FONCTIONNEMENT EST CRITIQUE POUR LA SÛRETÉ QUE PAR DES PIÈCES RECOMMANDÉES PAR LE FABRICANT.

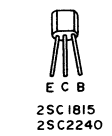
3. Model AJ-530FS/FL COMPOSITION OF VARIOUS P.C BOARDS

1) AF P.C Board 22193240 (AJ-530 FS/FL)

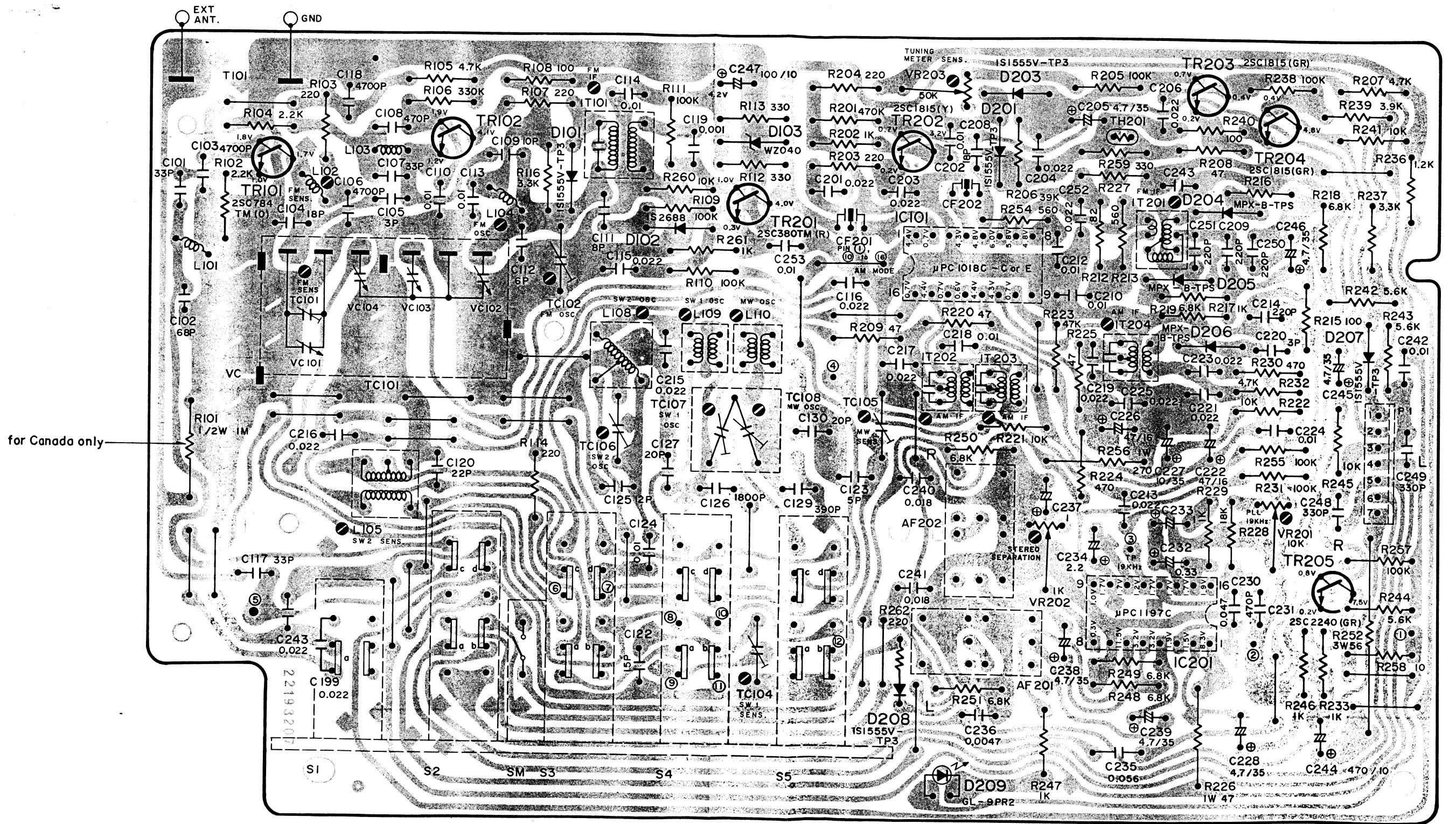


* TR901, 902
REC MODE

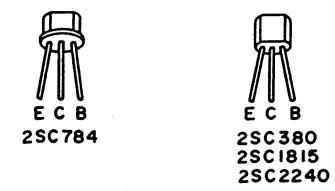
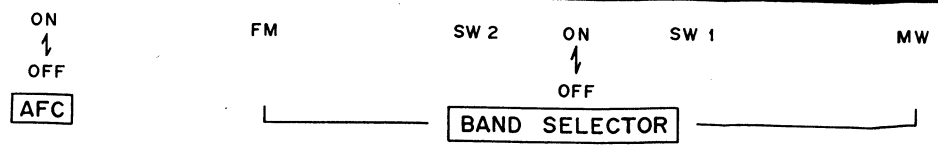
	E	C	B
NORM	0.2V	3.9V	0.6V
CrO2	0.2V	4.8V	0.7V
METAL	0.4V	9.1V	0.7V



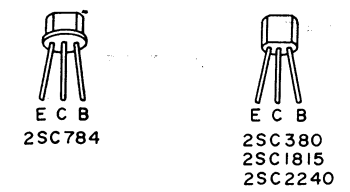
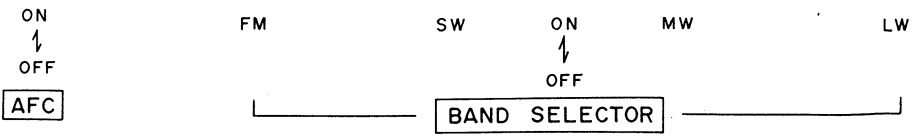
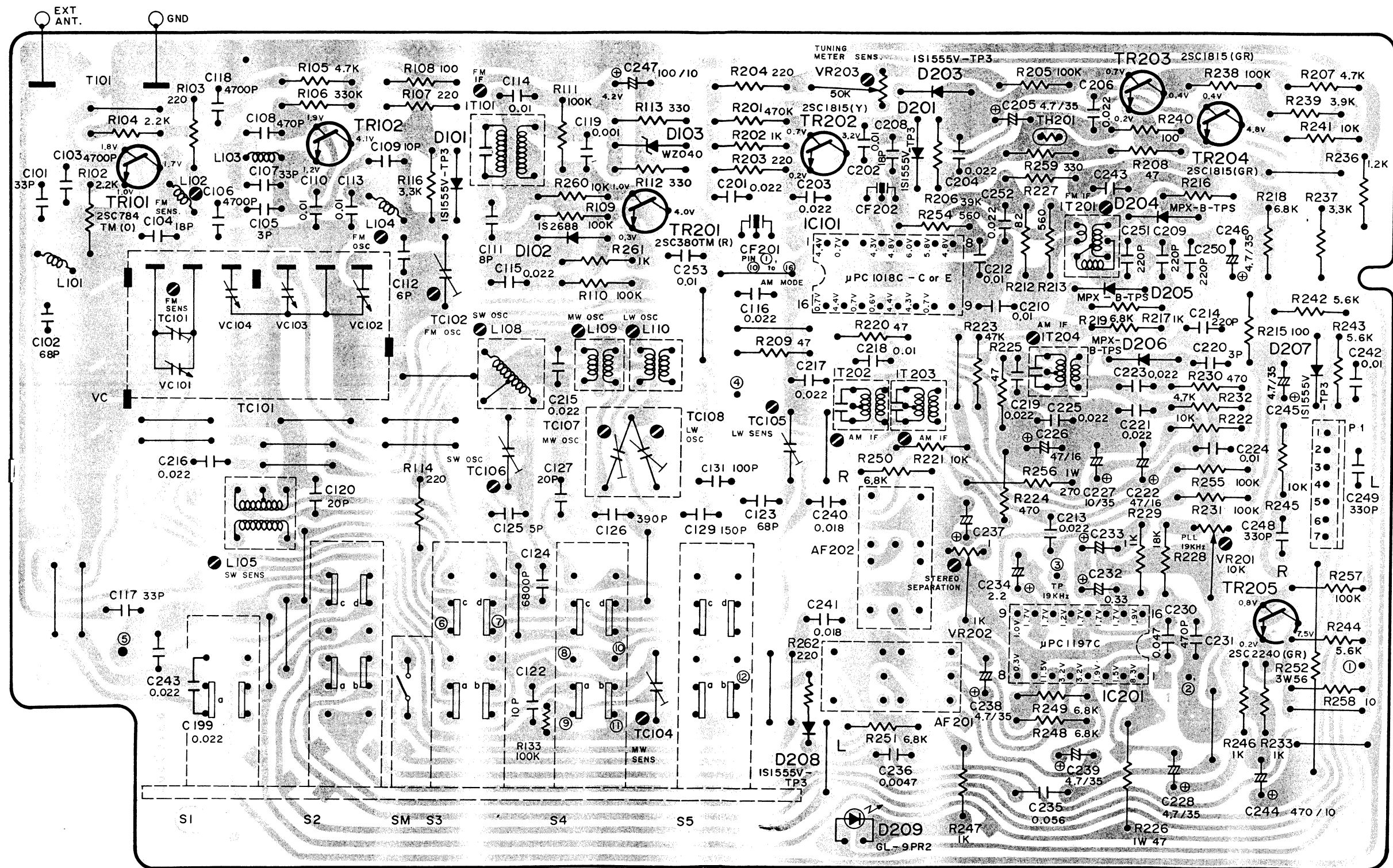
2) Radio P.C Board 22193207 (AJ-530FS)



for Canada only



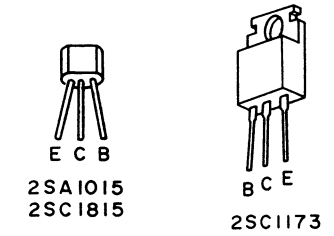
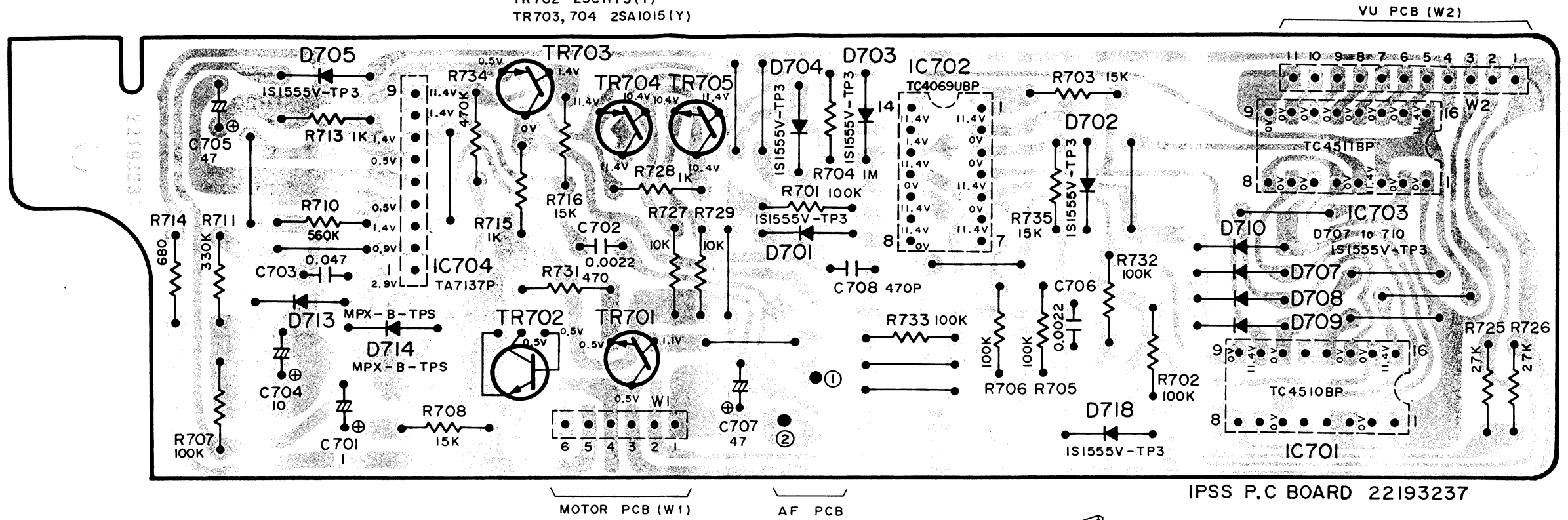
3) Radio P.C Board 22193207 (AJ-530FL)



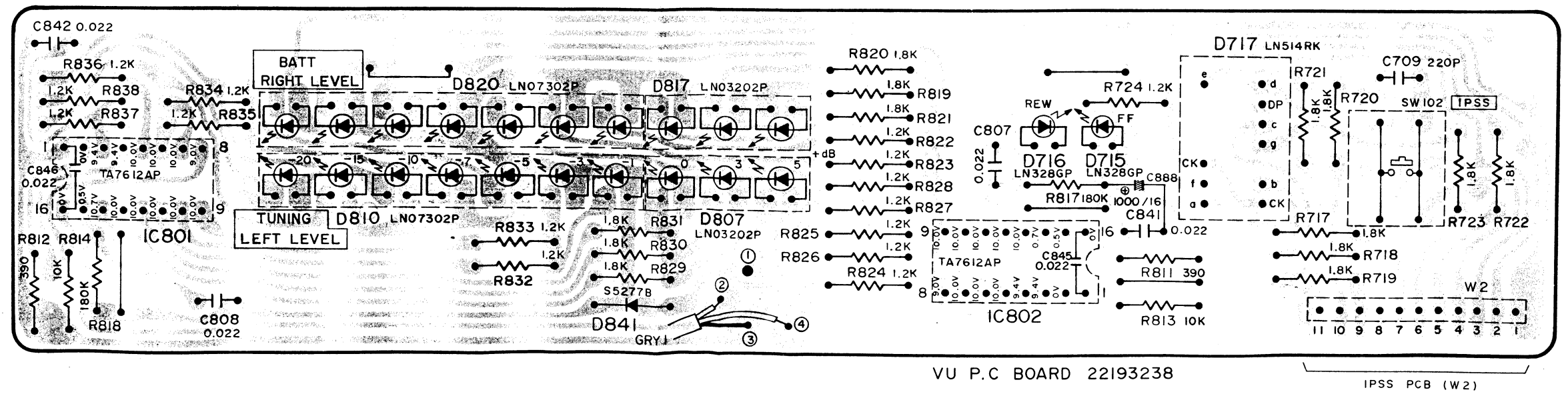
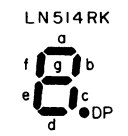
RADIO P.C BOARD 22193207

4) IPSS P.C Board 22193237 (AJ-530 FS/FL)

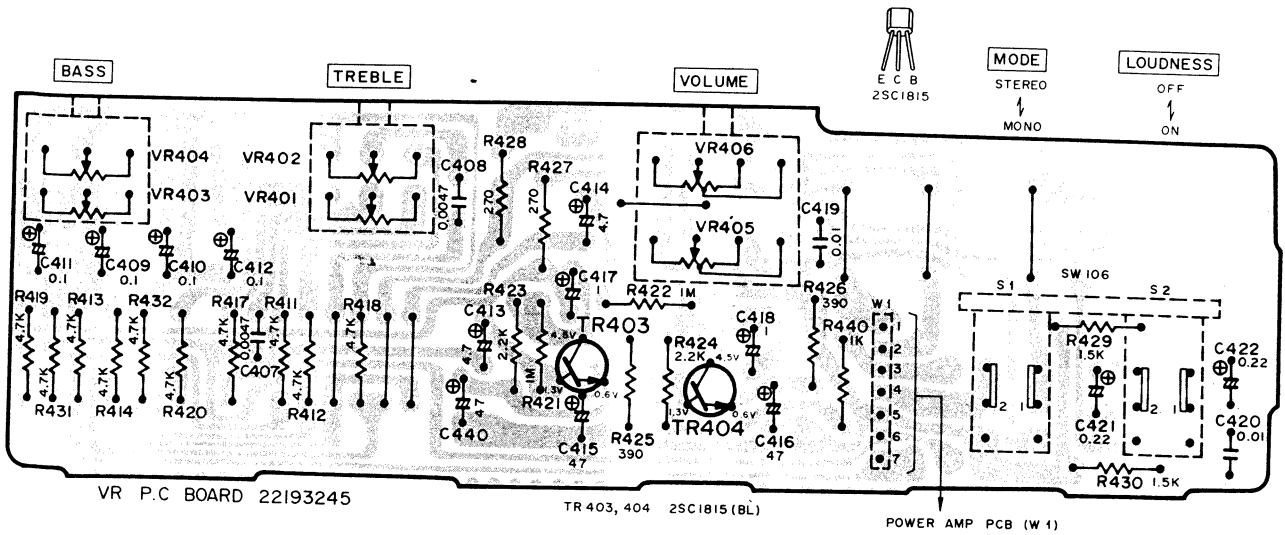
TR 701, 705 2SC1815 (BL)
 TR 702 2SC1173 (Y)
 TR 703, 704 2SA1015 (Y)



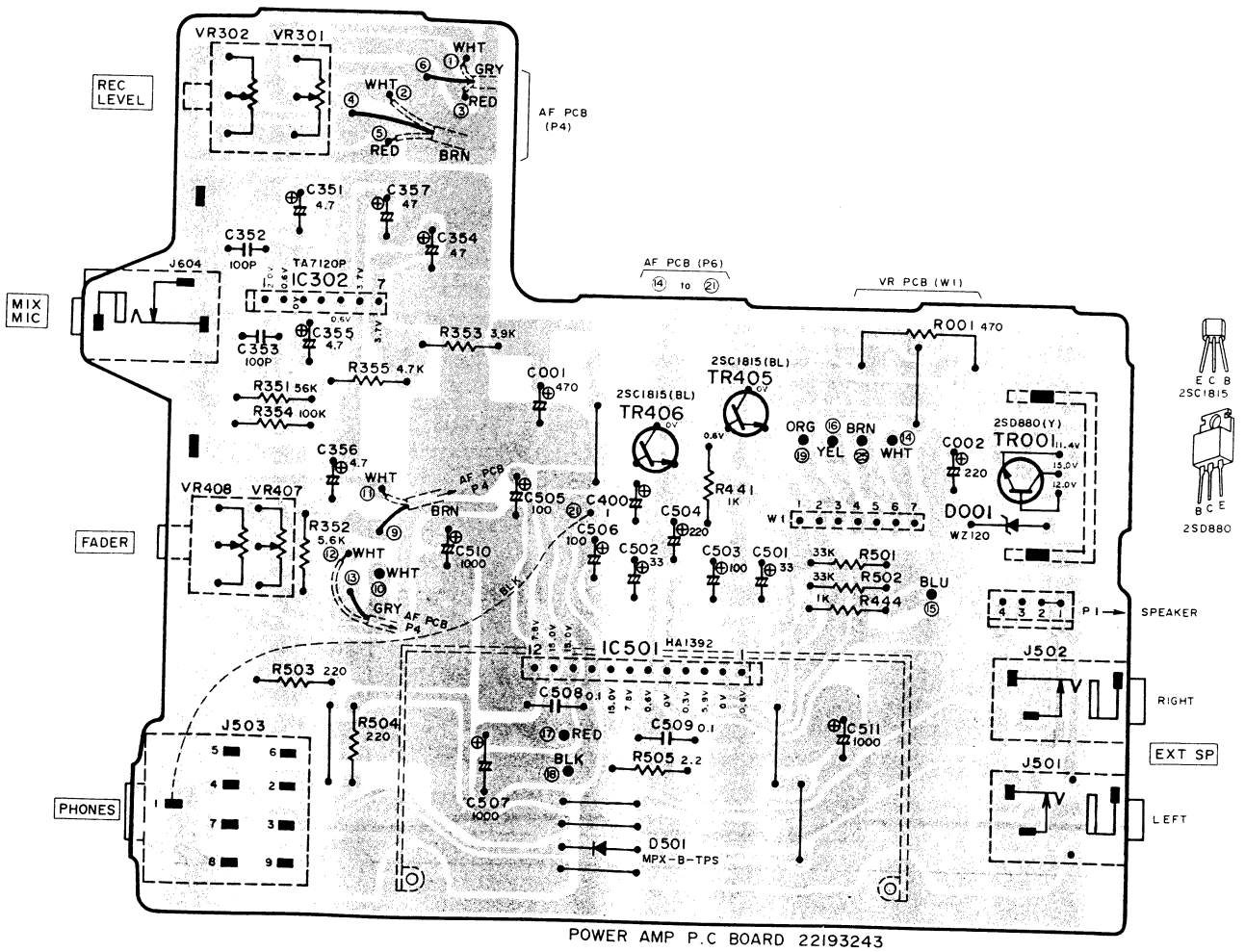
5) VU P.C Board 22193238 (AJ-530 FS/FL)



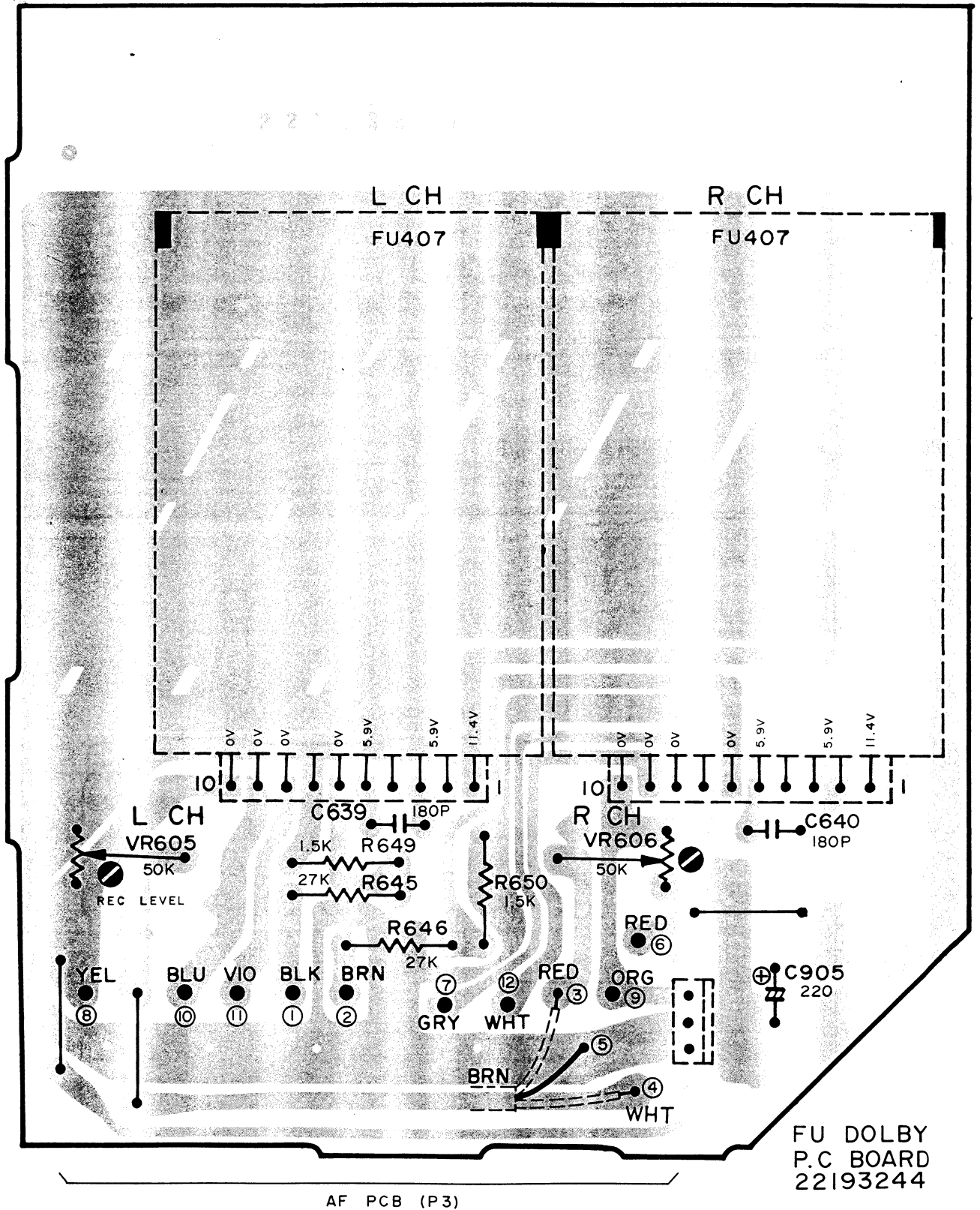
6) VR P.C Board 22193245 (AJ-530 FS/FL)



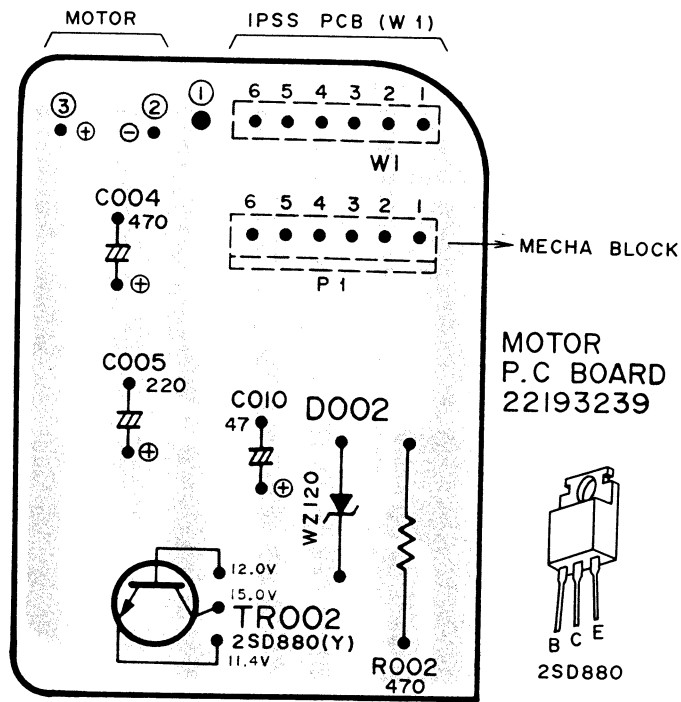
7) Power Amp P.C Board 22193243 (AJ-530 FS/FL)



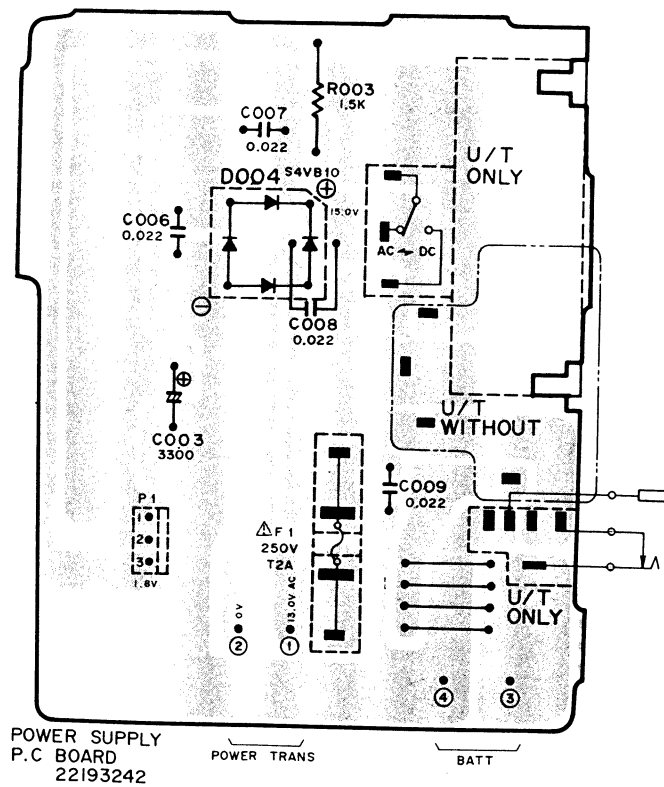
8) FU Dolby P.C Board 22193244 (AJ-530 FS/FL)



9) Motor P.C Board 22193239 (AJ-530 FS/FL)



10) Power Supply P.C Board 22193242 (AJ-530 FS/FL)



WARNING: Δ INDICATES SAFETY CRITICAL COMPONENTS. FOR CONTINUED SAFETY, REPLACE SAFETY CRITICAL COMPONENTS ONLY WITH MANUFACTURER'S RECOMMENDED PARTS
 AVERTISSEMENT: Δ IL INDIQUE LES COMPOSANTS CRITIQUES DE SÛRETÉ. POUR MAINTENIR LE DEGRÉ DE SÛRETÉ DE L'APPAREIL NE REMPLACER LES COMPOSANTS DONT LE FONCTIONNEMENT EST CRITIQUE POUR LA SÛRETÉ QUE PAR DES PIÈCES RECOMMANDÉES PAR LE FABRICANT

SECTION 2

PARTS LIST

TABLE OF CONTENTS

I. MODEL AJ-520 FS/FL

- 1. MECHA BLOCK 42
- 2. RADIO P.C BOARD (22193207) BLOCK 44
- 3. IPSS P.C BOARD (22193237) BLOCK 44
- 4. VU P.C BOARD (22193238) BLOCK 44
- 5. MOTOR P.C BOARD (22193239) BLOCK 44
- 6. AF P.C BOARD (22193240) BLOCK 45
- 7. POWER SUPPLY P.C BOARD (22193242) BLOCK 45
- 8. POWER AMP P.C BOARD (22193243) BLOCK 45
- 9. VR P.C BOARD (22193245) BLOCK 45
- 10. ASSEMBLY BLOCK 46

II. MODEL AJ-530 FS/FL

- 1. MECHA BLOCK 48
- 2. RADIO P.C BOARD (22193207) BLOCK 50
- 3. IPSS P.C BOARD (22193237) BLOCK 50
- 4. VU P.C BOARD (22193238) BLOCK 50
- 5. MOTOR P.C BOARD (22193239) BLOCK 50
- 6. AF P.C BOARD (22193240) BLOCK 51
- 7. POWER SUPPLY P.C BOARD (22193242) BLOCK 51
- 8. POWER AMP P.C BOARD (22193243) BLOCK 51
- 9. FU DOLBY P.C BOARD (22193244) BLOCK 51
- 10. VR P.C BOARD (22193245) BLOCK 51
- 11. ASSEMBLY BLOCK 52

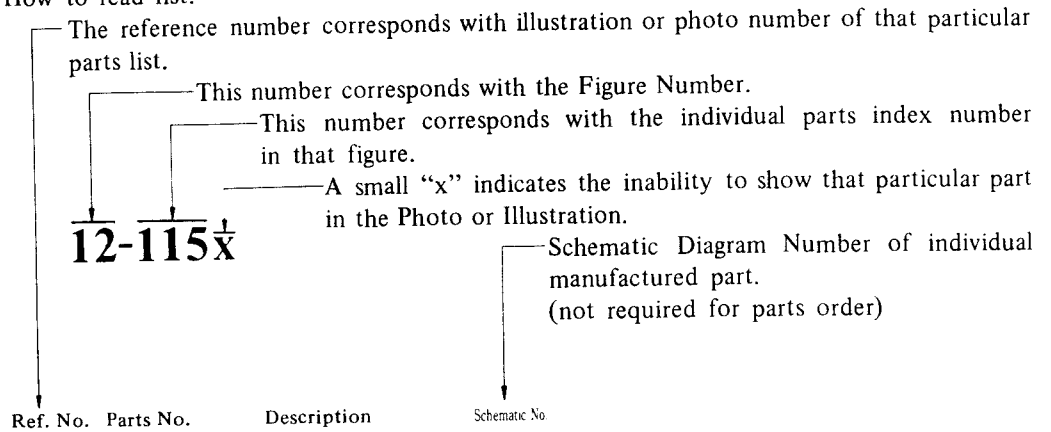
INDEX 54

Resistor and Capacitor which is not listed in this parts list, please refer to COMMON LIST FOR SERVICE PARTS.

Part No.	Description	QTY	Notes
EW601995	Resistor (10 cores)	2P	
EW601996	Resistor (12 cores)	2P	
EW601997	Resistor (15 cores)	2P	
EW601998	Resistor (20 cores)	2P	
EW601999	Resistor (25 cores)	2P	
EW602000	Resistor (30 cores)	2P	
EW602001	Resistor (40 cores)	2P	
EW602002	Resistor (50 cores)	2P	

HOW TO USE THIS PARTS LIST

1. This parts list is compiled by various individual blocks based on assembly process.
2. When ordering parts, please describe parts number, serial number, and model number in detail.
3. How to read list.



Ref. No.	Parts No.	Description	Schematic No.
FLYWHEEL BLOCK #13			
12-115x	800425	Flywheel Block Assy. Comp.	RDG #13
12-116	244506	Flywheel Only	RD:233
12-117x	244754	Felt, Flywheel	RD:275
12-118	251324	Main Metal Case	RD:236
12-119	253080	Main Metal	RD:237

4. The symbol numbers shown on the P.C. Board list can be matched with the Composite Views of components of the Schematic Diagram or Service Manual.
5. The indications of Resistors and Capacitors in the photos of P.C. Board are being eliminated.
6. The shape of the parts and parts name, etc. can be confirmed by comparing them with the parts shown on the Electrical Parts Table of P.C. Board.
7. Both the kind of part and installation position can be determined by the Parts Number. To determine where a parts number is listed, utilize Parts Index at end of Parts List.
It is necessary first of all to find the Parts Number. This can be accomplished by using the Reference Number listed at right of parts number in the Parts Index. (meaning of ref. no. outlined in Item 3 above).
8. Utilize separate "Price List for Parts" to determine unit price. The most simple method of finding parts Price is to utilize the reference number.

CAUTION:

1. When placing an order for parts, be sure to list the parts no., model no., and description. There are instances in which if any of this information is omitted, parts cannot be shipped or the wrong parts will be delivered.
2. Please be careful not to make a mistake in the parts no. If the parts no. is in error, a part different from the one ordered may be delivered.
3. Because parts number and parts unit supply in the Preliminary Service Manual (Basic Parts List) may be partially changed, please use this parts list for all future reference.

WARNING: △ INDICATES SAFETY CRITICAL COMPONENTS. FOR CONTINUED SAFETY, REPLACE SAFETY CRITICAL COMPONENTS ONLY WITH MANUFACTURER'S RECOMMENDED PARTS.

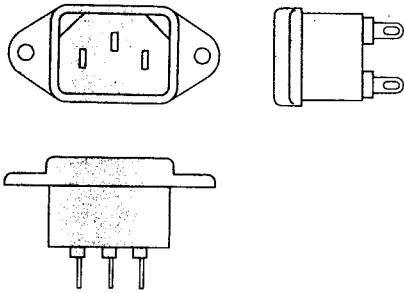
AVERTISSEMENT: △ IL INDIQU LES COMPOSANTS CRITIQUES DE SURETE. POUR MAINTENIR LE DEGRE DE SECURITE DE L'APPAREIL NE REMPLACER LES COMPOSANTS DONT LE FONCTIONNEMENT EST CRITIQUE POUR LA SECURITE QUE PAR DES PIECES RECOMMENDEES PAR LE FABRICANT.

AC INLET SYSTEM

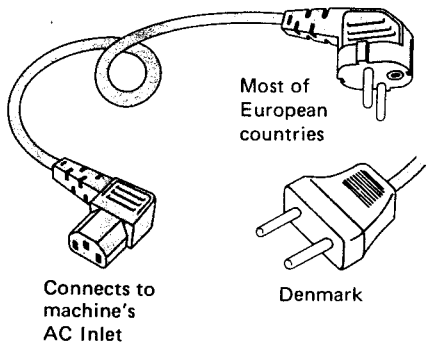
This model is equipped with an AC INLET SYSTEM. Please refer to the AC INLET SYSTEM CHART below for the specific type. By the AC INLET SYSTEM, AC (mains) cord can be connected to and disconnected from the model because the model is provided with socket exclusively for AC (mains) cord on its main body. Please note, however, that certain models are not equipped with this system and has a built-in AC (mains) cord as before.

AC INLET SYSTEM CHART

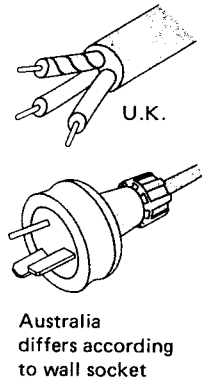
CLASS I



Picture 1
AC INLET
to be
installed
on machines

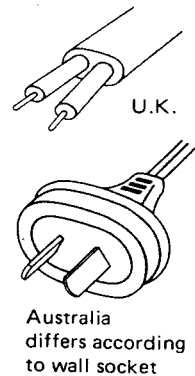
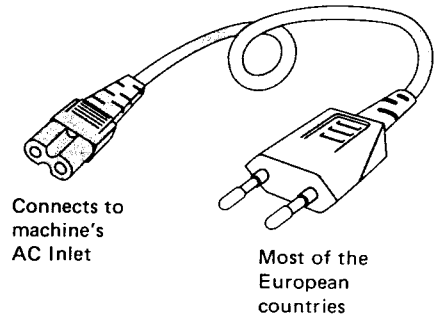
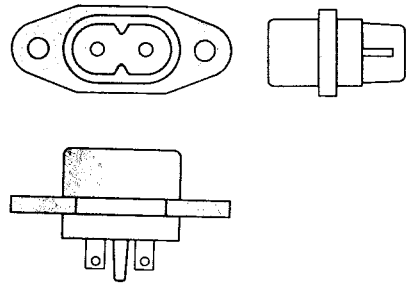


Picture 2
AC (mains)
cord



CLASS II

☐ This mark indicating double insulation will be attached to machine's rear panel

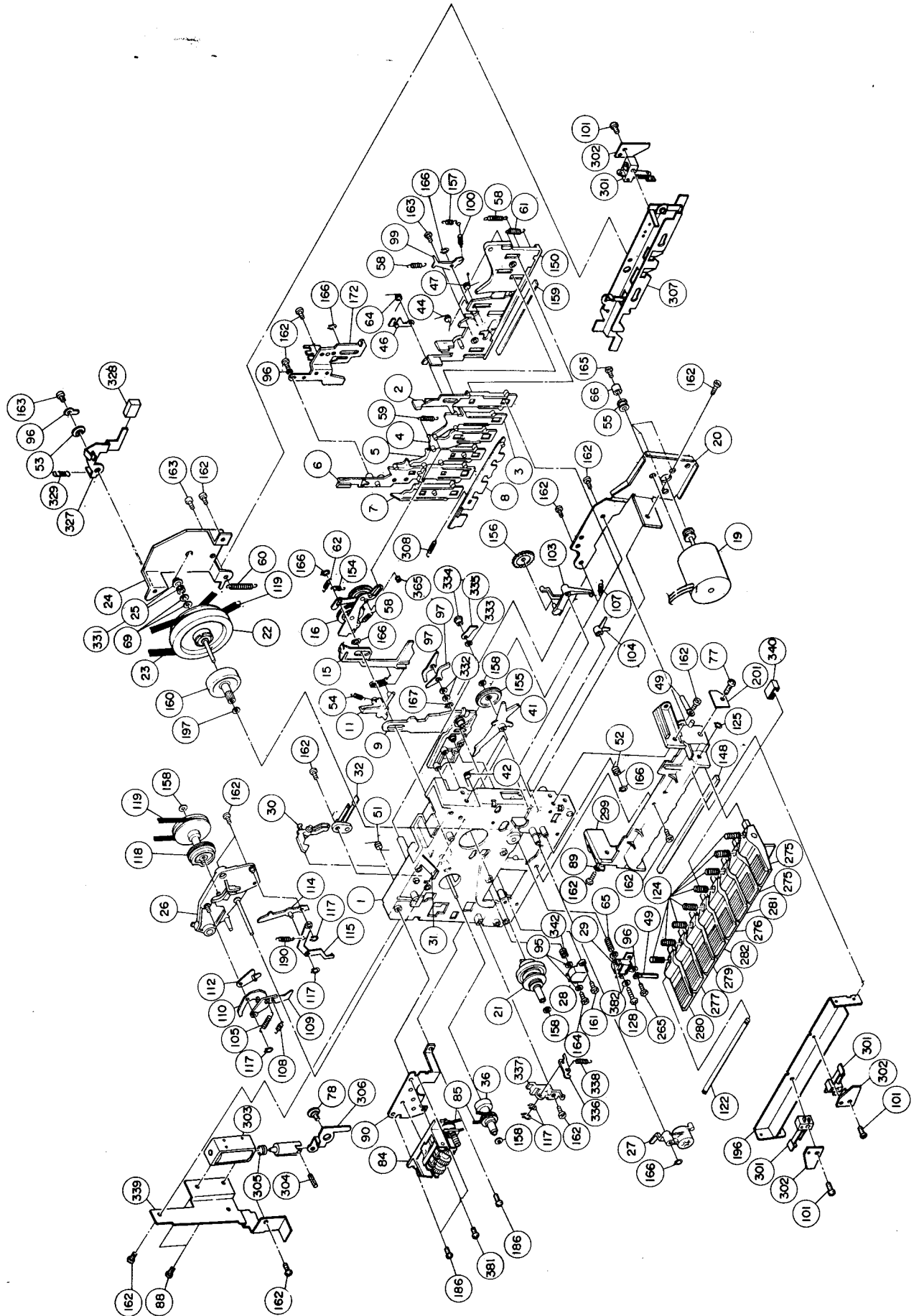


Parts List for AC (mains) Cord Set

Standard		Description	Type of AC Inlet	Parts No.
Class I	CEE	Cord Set CEE (3 cores)	3P	EW302993
	UK	Cord Set UK (3 cores)	3P	EW302994
	SAA	Cord Set SAA (3 cores)	3P	EW302996
	U/T	Cord Set U/T (3 cores)	3P	EW302646
Class II	CEE	Cord Set CEE (2 cores)	2P	EW638144
	UK	Cord Set UK (2 cores)	2P	EW302995
	SAA	Cord Set SAA (2 cores)	2P	EW302991
	U/T	Cord Set U/T (2 cores)	2P	EW302899

I. MODEL AJ-520FS/FL

1. MECHA BLOCK



MECHA BLOCK

Ref. No.	Parts No.	Description	Schematic No.	Ref. No.	Parts No.	Description	Schematic No.
1-1	BZ701142	Mecha ASSY	2571167300	1-190	ZG703388	SP 02TN21.5	2577158600
1-2	TK703933	OP Pause	2578313400	1-197	ZW259367	PW24x045x030BRS NI3	
1-3	SB703330	OP FF	2578313800	1-275	SK703938	FF Knob	2581656400
1-4	TK703935	OP Play	2578313700	1-276	SK703939	Play Knob	2581656800
1-5	SB703331	OP REW	2578313600	1-277	SK703940	REC Knob	2581656600
1-6	SB703332	OP REC	2578313300	1-279	SK703941	REW Knob	2581656500
1-7	SB703333	OP Stop	2578313500	1-280	SK703942	Stop Knob	2581656700
1-9	MZ701214	Slider Head	2578323000	1-281	SK703943	FF-ISO Knob Part	2581657000
1-11	ML703335	Eject Lever	2578222500	1-282	SK703944	REW-ISO Knob Part	2581656900
1-15	ML703336	SW Slider	2578313900	1-301	ES703946	SW Leaf	2219519900
1-16	TK703419	REW Slider	2571933100	1-303	EP703947	Plunger	2214721100
1-19	BM703409	Motor (W/Pulley) ASSY	2212557400	1-304	MH703948	SP Pin D2.5	2270718300
1-21	BR703413	Take-Up Reel Table ASSY	2571234000	1-305	ZG703949	SP Clamp	2577232100
1-22	BF703412	Flywheel ASSY	2571742000	1-308	ZG703950	SP Lock	2577197000
1-23	MB703339	Driver Belt	2575533500	1-328	MT701184	Shoe Brake	2576141600
1-25	MV703340	Bushing B	2572534000	1-329	ZG701182	SP	2577616700
1-26	TK703414	ASO Chassis ASSY	2571944200	1-331	ZW701178	PW26x050x010TFL	2576451000
1-27	BL703415	Pinch Roller Lever ASSY	2571731800	1-334	ZW703391	Boss 4D1.6	2572537600
1-28	HE701174	Head E HET-49	2221822200	1-335	ML703392	Waiting Lever	2578223600
1-29	HP329493	Head REC/PB PR4-7G		1-336	ML703393	Lock Lever	2578224300
1-30	ML703343	REC Lock Lever	2578222600	1-337	TK703394	Lock Lever Mount	2578318100
1-31	ZG703344	SP Holder	2577450600	1-338	ZG703395	SP 03TN14.5	2577158800
1-32	ES703345	SW Leaf 1C1P	2219546700	1-340	SC701181	Cover Coil	2573232900
1-36	TK703417	Drum Reel ASSY	2571231800	1-342	ZG701179	SP E-Head	2577702900
1-41	TK703418	Idler Mount ASSY	2571183800	1-365	ZG701180	SP Coil	2577703100
1-42	TK703346	SP Idler Mount	2577325500	1-382	ZW269550	PW21x040x050SUP	
1-44	ZG703347	SP OP-Stop	2577325400	1-400X	EJ701040	Plug 2P Cord	5102021100
1-46	ML702599	Pause Lock Lever	2578217300	1-401X	EJ701046	Plug 3P Cord	5103021300
1-47	ZG703349	SP OP-REW	2577325300	1-402X	EJ701045	Plug 6P Cord	5106021400
1-51	ZG703350	SP REC Lock	2577333700	1-403X	EJ701044	Plug 8P Cord	5108021000
1-52	ZG703351	SP Pinch-LV	2577330100	1-404X	ED742019	D Silicon S5277B (D716)	3797838000
1-53	MH701183	Pin 5P2.3	2572442000	1-405X	ED701130	D Varistor S3V20 (D008)	2211540100
1-54	ZG703352	SP 03TN33.5	2577177600				
1-58	ZG703353	SP 03TN14.5	2577172100				
1-59	ZG703354	SP 05TN19.5	2577171700				
1-60	ZG703355	SP 035TN37.5	2577188200				
1-61	ZG703356	SP 04TN16.5	2577172200				
1-62	ZG703357	SP 035TNS	2577172300				
1-64	ZG703358	SP P Lock	2577325200				
1-65	ZG703359	SP Head	2577224000				
1-69	ZW318014	PW26x045x040BRS NI3					
1-78	ZS742062	Graduated Screw STL CMT	2270147200				
1-84	MC701173	Counter	2587323200				
1-85	MB703362	Belt 1K41	2575535900				
1-95	ZW355307	PW26x070x050BRS NI3					
1-97	ML703363	Review Lever	2574832100				
1-99	ML703364	REC Stop Lever	2574824500				
1-100	ZG703365	SP 03TN13.5	2577178100				
1-103	ML703366	ASO Lever	2578217500				
1-104	ML703367	Release Lever	2578217100				
1-105	ZG703368	SP 03TN21	2577193700				
1-107	ZG703369	SP 02TN4.25	2577171400				
1-108	ZG703370	SP 02TN12.5	2577161000				
1-109	ML703371	Pause Lever	2578219400				
1-110	ML703373	Stop Lever	2578219300				
1-112	ML703374	Bias Lever	2578219700				
1-114	ML703376	Detection Lever	2578219500				
1-115	ML703377	Push Lever	2578219600				
1-118	TK703411	Cam Wheel ASSY	2571342400				
1-119	MB703379	Belt 1K46.5	2575539000				
1-124	ZG703380	SP Button	2577244700				
1-125	ZW703381	Ring E ERR040SKZN3A	7405004000				
1-128	ZS701175	BID20x20STL CMT	7043201200				
1-154	ZG703382	SP 03TN11.5	2577172400				
1-155	TK703420	Take-Up Idler ASSY	2571339600				
1-156	TK703384	ASO Gear	2575614900				
1-157	ZG703385	SP 02TN13.5	2577178000				
1-158	ZW702619	PW17x040x050PSL	2576454900				
1-160	TK703410	Clutch Wheel ASSY	2571736100				
1-161	ZS701176	T2BID20x12STL CMT	2270729900				
1-164	ZS703936	Special Screw, 2x12	2270149300				
1-165	ZS703937	Special Screw, 2.6x6	2270717400				
1-166	ZW703386	Ring E 300	2270318700				
1-167	ZW703387	Ring E 400	2270318800				

When ordering parts, please quote Parts Number, Description and Model Number.

2. RADIO P.C BOARD (22193207) BLOCK

Symbol No.	Parts No.	Description	Schematic No.
2-1	BA701198	Radio PC BLK AJ-520FS	2213123900
2-2	BA701199	Radio PC BLK AJ-520FL	2213124000
2-IC101	EI701060	IC μ PC1018C-E	2211488900
2-IC201	EI701061	IC μ PC1197C	2211489100
2-TR101	ET703254	TR 2SC784TM(O)	3673812000
2-TR102	ET701063	TR 2SC785TM(O)	3673817000
2-TR201	ET702748	TR 2SC380TM(R)	3670792000
2-TR202	ET319241	TR 2SC1815(Y)	45-1-299
2-TR203, 204	ET308980	TR 2SC1815(GR)	45-1-299
2-TR205	ET307195	TR 2SC2240(GR) (BL)	45-1-302
2-D101	ED741904	D Silicon 1S1555V	3724670300
2-D102	ED702702	D Silicon 1S2688	2211521000
2-D103	ED322810	D Zener H WZ-040	45-6-67
2-D201	ED741904	D Silicon 1S1555V	3724670300
2-D203	ED741904	D Silicon 1S1555V	3724670300
2-D204 to 206	ED702704	D GERMA MPX-B	2211550600
2-D207, 208	ED741904	D Silicon 1S1555V	3724670300
2-D209	ED310584	D LED GL-9PR2 RED	45-15-21
2-TH201	ED701064	Thermistor 24D26	2269105600
2-L101	EO701071	Coil RF-FM	2229422600
2-L102	EO701073	Coil RF-FM	2229415500
2-L103	EO742246	FM Choke Coil	2229100900
2-L104	EO701072	Coil RF-FM	2229409400
2-L105	EO701067	Coil ANT-SW2 (FS)	2228220100
2-L106	EO701127	Coil ANT-SW (FL)	2228220200
2-L106	EO701066	Coil ANT-ASSY (FS)	2224281000
2-L106	EO701126	Coil ANT-ASSY (FL)	2224281100
2-L107	EO701066	Coil ANT-ASSY (FS)	2224281000
2-L107	EO701126	Coil ANT-ASSY (FL)	2224281100
2-L108	EO701069	Coil OSC-SW2 (FS)	2228531000
2-L108	EO701128	Coil OSC-SW (FL)	2228531100
2-L109	EO701068	Coil OSC-SW (FS)	2228530900
2-L109	EO742249	Coil OSC MW (FL)	2224535300
2-L110	EO742249	Coil OSC MW (FS)	2224535300
2-L110	EO702670	Coil OSC LW (FL)	2220505800
2-IT101	BT701070	Trans FM-IF-M	2226633900
2-IT201	BT742251	Trans FM-IF	2226728500
2-IT202	BT742252	Trans AM-IF	2226476600
2-IT203	BT742253	Trans AM-IF	2226476700
2-IT204	BT742254	Trans AM-IF	2226635200
2-CF201, 202	ER742257	Filter CE	2215309600
2-TC102	EC741922	C S-Fix 8PF	2230910400
2-TC104	EC741922	C S-Fix 8PF	2230910400
2-TC105	EC741922	C S-Fix 8PF (FS)	2230910400
2-TC105	EC701129	C S-Fix 1R (FL)	2230914000
2-TC106	EC741922	C S-Fix 8PF	2230910400
2-TC107, 108	EC703269	C S-Fix	2230912800
2-SW101	ES701074	SW Push	2214063300
2-VC101	EE701134	VC AIR	2230720600
2-VR201	EV703298	R S-Fix 103	2265845400
2-VR202	EV701081	R S-Fix 102	2265845900
2-VR203	EV703311	R S-Fix 503	2265844600
2-AF201, 202	EO701077	Coil MPX	2223221800
2-T101	EJ701075	Terminal S2P	2216238500
2-R226	ER406833	R OMF H 1W 470J	35-15-10
2-R252	ER701078	R OMF 3W 560	2257556001
2-R256	ER295637	R OMF H 1W 271J	35-15-10
2-C129	EC514001	C STYV 391J 50DC	24-11-3
2-C231	EC405898	C STYV 471J 50DC	24-11-3
2-3	EJ701080	Plug 6P Cord	5106023900

3. IPSS P.C BOARD (22193237) BLOCK

Symbol No.	Parts No.	Description	Schematic No.
3-IC701	EI701056	IC TC4510BP	4047510200
3-IC702	EI306726	IC TC4069UBP	45-8-263
3-IC703	EI701057	IC TC4511BP	4047511200
3-IC704	EI701058	IC TA7137P	4031250000
3-TR701	ET308976	TR 2SC1815 (BL) (GR)	45-1-299
3-TR702	ET704194	TR 2SC1173 (O)	3677162000
3-TR703, 704	ET703397	TR 2SA1015 (Y)	3653404A00
3-TR705	ET308976	TR 2SC1815 (BL) (GR)	45-1-299
3-D701 to 710	ED741904	D Silicon 1S1555V	3724670300
3-D713, 714	ED702704	D GERMA MPX-B	2211550600
3-D718	ED741904	D Silicon 1S1555V	3724670300

4. VU P.C BOARD (22193238) BLOCK

Symbol No.	Parts No.	Description	Schematic No.
4-IC801, 802	EI701059	IC TA7612AP	4035521000
4-D715, 716	ED701124	D LED LN328GP	2211561800
4-D717	ED701125	D LED LN514RK	2211561900
4-D808	ED701202	LED LN02202P	2211565600
4-D810	ED701200	LED LN05302P	2211565500
4-D818	ED701202	LED LN02202P	2211565500
4-D820	ED701200	LED LN05302P	45-2-79
4-D841	ED306724	D Silicon S5277B	100/1.0A
4-SW102	ES701079	SW Key	2214051000

5. MOTOR P.C BOARD (22193239) BLOCK

Symbol No.	Parts No.	Description	Schematic No.
5-TR002	ET701062	TR 2SD880 (Y)	3684852000
5-D002	ED327059	D Zener WZ-100	45-6-67
5-R002	ER496833	R OMF H 1W 471J	35-15-10

6. AF P.C BOARD (22193240) BLOCK

Symbol No.	Parts No.	Description	Schematic No.
6-1	BA701203	AF PC BLK AJ-520FS (U) (U/T)	2213646800
6-2	BA701205	AF PC BLK AJ-520FS (C) (CSA)	2213647000
6-3	BA701204	AF PC BLK AJ-520FS (S) (SAA)	2213646900
6-4	BA701206	AF PC BLK AJ-520FL (B, E) (CEE, UK)	2213647100
6-IC301	EI703253	IC μ PC1186H	2211477700
6-IC601	EI701082	IC TA7328AP	4032512500
6-TR301, 302	ET307195	TR 2SC2240 (GR) (BL)	45-1-302
6-TR401, 402	ET307195	TR 2SC2240 (GR) (BL)	45-1-302
6-TR601, 602	ET307195	TR 2SC2240 (GR) (BL)	45-1-302
6-TR603, 604	ET308976	TR 2SC1815 (BL) (GR)	45-1-299
6-TR605, 606	ET307195	TR 2SC2240 (GR) (BL)	45-1-302
6-TR801, 802	ET308976	TR 2SC1815 (BL) (GR)	45-1-299
6-TR901, 902	ET308976	TR 2SC1815 (BL) (GR)	45-1-299
6-D003	ED701084	D LED GL-9HY2	2211564500
6-D601, 602	ED741904	D Silicon 1S1555V	3724670300
6-D603, 604	ED702704	D GERMA MPX-B	2211550600
6-D801 to 804	ED702704	D GERMA MPX-B	2211550600
6-D805, 806	ED741904	D Silicon 1S1555V	3724670300
6-D840	ED327098	D Zener H WZ-061	45-6-67
6-D901	ED741904	D Silicon 1S1555V	3724670300
6-D904	ED322810	D Zener H WZ-040	45-6-67
6-VR601 to 604	EV703279	R S-Fix 503	2265844600
6-VR801, 802	EV703279	R S-Fix 503	2265844600
6-LC601, 602	EO701090	Coil Choke AF	2221126100
6-L601, 602	EO701099	Coil Choke AF	2221126200
6-L901	EO701091	Coil OSC TP	2221510900
6-J601, 602	EJ701093	J 3.5-S	2216364100
6-J603	EJ701092	J US6P	2216382300
6-SW101	ES701097	SW Push	2214063400
6-SW102	ES704174	SW Push AJ-500	2214060100
6-SW103	ES701094	SW Slide	2214065800
6-SW103	ES701095	SW Rotary	2214065900
6-SW104, 105	ES701132	SW Slide	2214065700
6-R001	ER496833	R OMF H 1W 471J	35-15-10
6-R350	ER558213	R MF H 1W 181J	35-15-10
6-R903	ER304256	R OMF H 2W 560J	35-15-8
6-R905	ER558213	R MF H 1W 181J	35-15-10
6-R907	ER701107	R OMF 1W 151J	2257115101
6-R911	ER701208	R Fuse 1/4W 8R2J	2250019900
6-C907	EC701108	C STY 681J 100DC	2232121300
6-C908	EC701109	C STY 562J 100DC	2232119900
6-5	EJ701101	Plug 3P Cord	5103020500
6-6	EJ701102	Plug 8P Cord	5108020800
6-7	EJ701103	Plug 12P Cord	5112020900
6-8	EJ701104	Plug 13P Cord	5113021600
6-9	EJ701045	Plug 6P Cord	5106021400
6-10	EJ701105	Plug 7P Cord	5107021500

7. POWER SUPPLY P.C BOARD (221932342) BLOCK

Symbol No.	Parts No.	Description	Schematic No.
7-D004	ED701110	D Silicon S4VB10	2211533600
7-F1	EF701172	Δ Fuse 250V 2.00A	2214419500
7-C003	EC322419	C EC V Cut H 332M 25.0DC	24-12-46
7-J001	EJ703289	Δ EXT Power Jack (U/T)	2216375000
7-J001	EJ703287	Δ AC Socket (CSA)	2216787800
7-J001	EJ702640	Δ AC Socket (SAA,CEE,UK)	2216786800
7-J002	EJ703288	Δ AC Socket (U/T)	2216786700

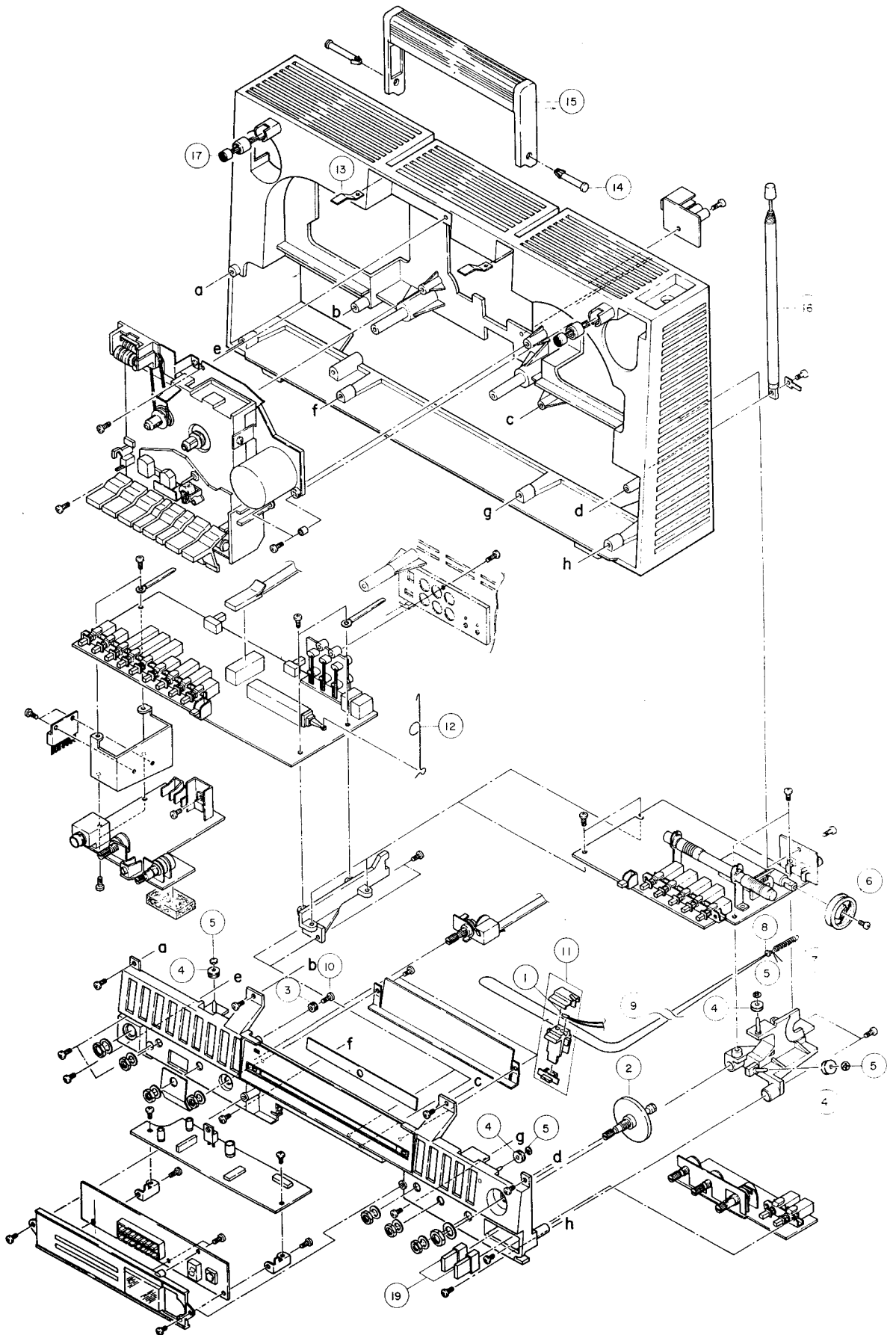
8. POWER AMP P.C BOARD (22193243) BLOCK

Symbol No.	Parts No.	Description	Schematic No.
8-IC302	EI704196	IC TA-7120P	4031100500
8-IC501	EI701083	IC HA1392	2211485600
8-TR001	ET701062	TR 2SD880 (Y)	3684852000
8-TR405,406	ET308976	TR 2SC1815 (BL) (GR)	45-1-299
8-D001	ED510772	D Zener H WZ-120	45-6-67
8-D501	ED702704	D GERMA MAX-B	2211550600
8-VR301	EV701085	VR Rotary 16 B503-W	2265521000
8-VR407	EV701089	VR Rotary 16 W104-D	2265123200
8-C507	EC316184	C EC V Cut H 102M 25.0DC	24-12-46
8-C510,511	EC316183	C EC V Cut H 102M 16.0DC	24-12-46
8-J501, 502	EJ742263	J D3.5	2216330700
8-J503	EJ741975	Phone J 6.5ST	2216372000
8-J604	EJ742263	J D3.5	2216330700

9. VR P.C BOARD (22193245) BLOCK

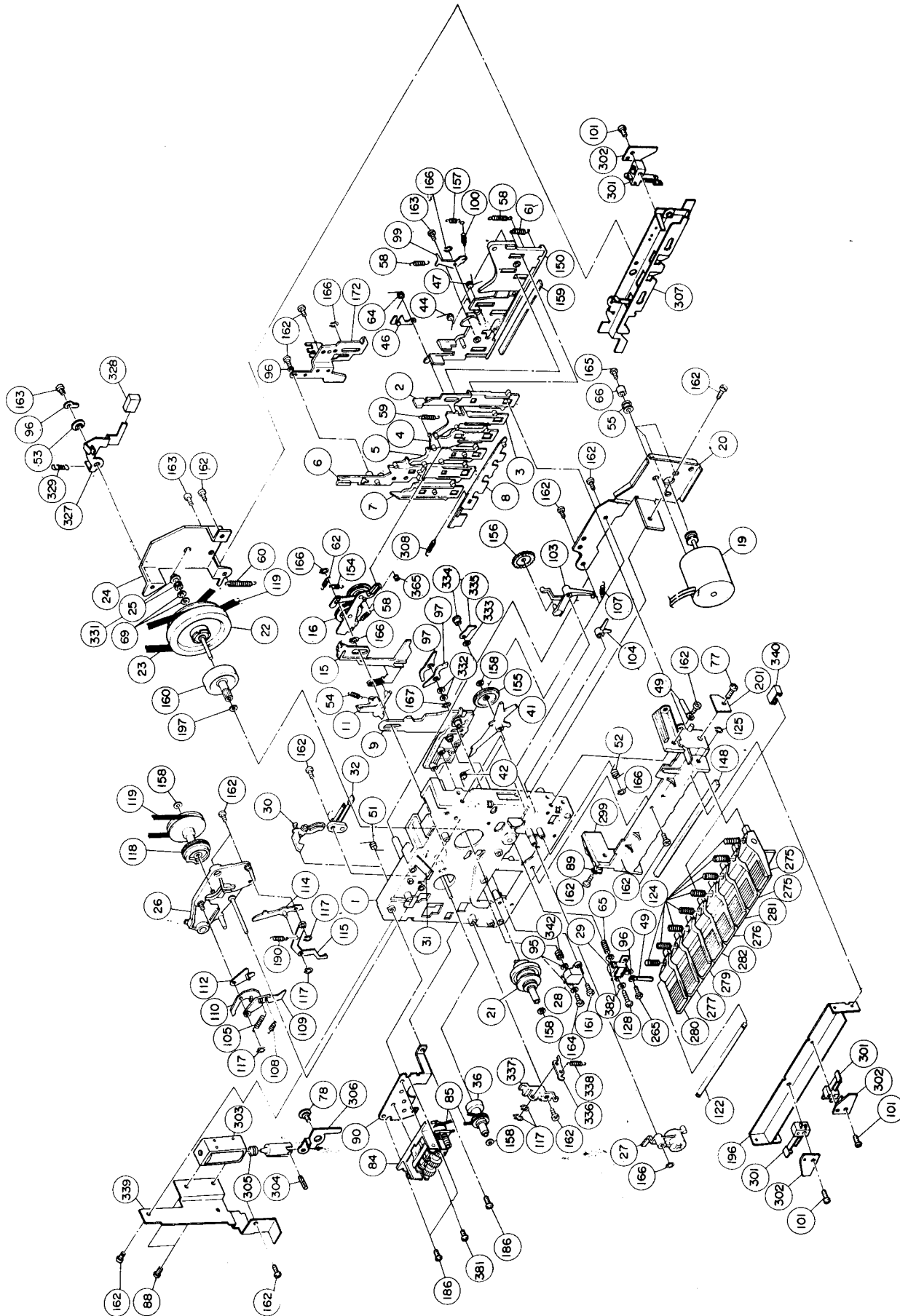
Symbol No.	Parts No.	Description	Schematic No.
9-TR403, 404	ET308976	TR 2SC1815 (BL) (GR)	45-1-299
9-VR401	EV701088	VR Rotary 16 B503-D	2265122800
9-VR403	EV701088	VR Rotary 16 B503-D	2265122800
9-VR405	EV701086	VR Rotary 16 B103-W-T	2265521100
9-SW106	ES701096	SW Push	2214063500

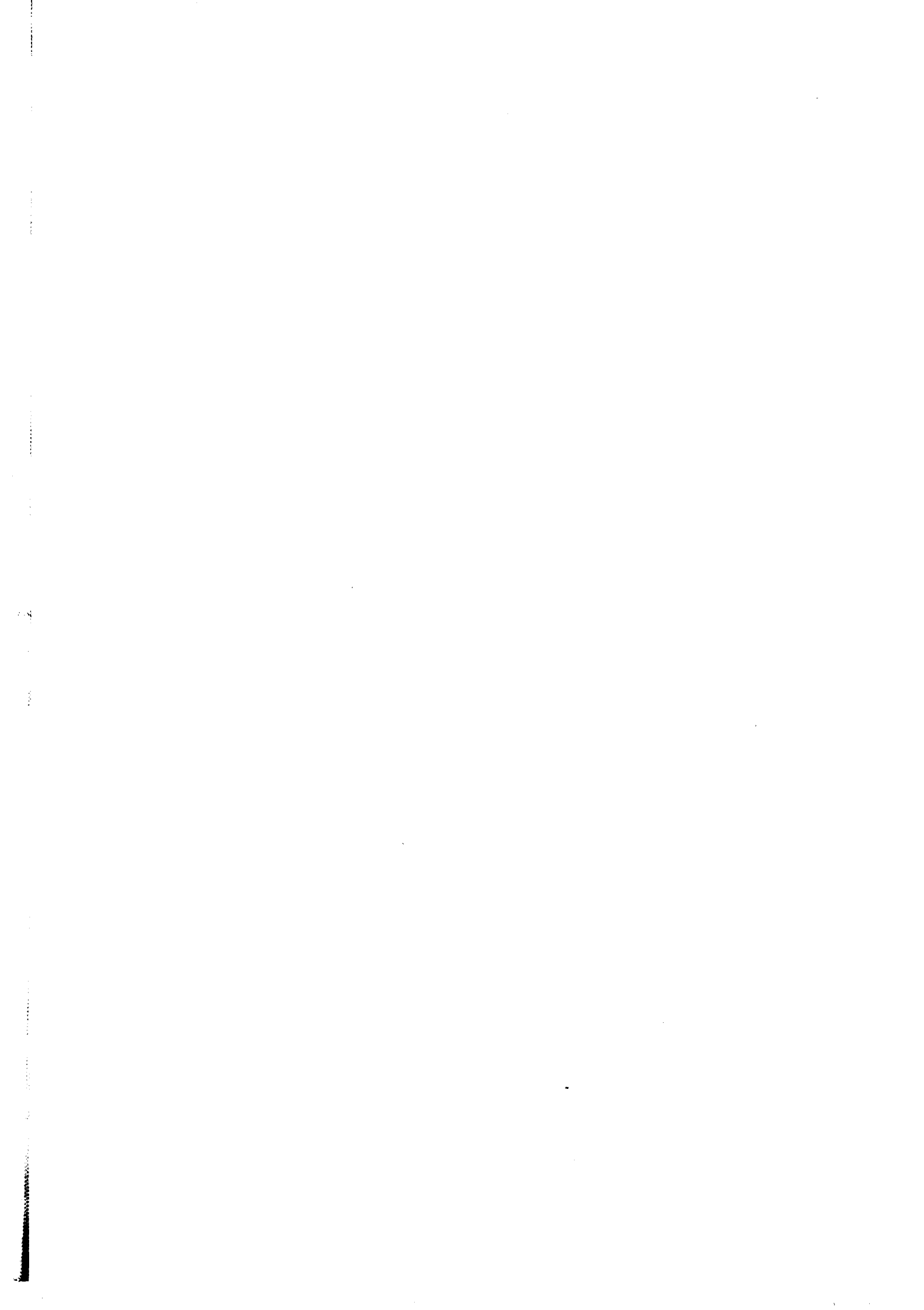
10. ASSEMBLY BLOCK



II. MODEL AJ-530FS/FL

1. MECHA BLOCK





MECHA BLOCK

Ref. No.	Parts No.	Description	Schematic No.	Ref. No.	Parts No.	Description	Schematic No.
1-1	BZ701142	Mecha ASSY	2571167300	1-190	ZG703388	SP 02TN21.5	2577155600
1-2	TK703933	OP Pause	2578313400	1-197	ZW259367	PW24x045x030BRS N13	
1-3	SB703330	OP FF	2578313800	1-275	SK703938	FF Knob	2581656400
1-4	TK703935	OP Play	2578313700	1-276	SK703939	Play Knob	2581656600
1-5	SB703331	OP REW	2578313600	1-277	SK703940	REC Knob	2581656600
1-6	SB703332	OP REC	2578313300	1-279	SK703941	REW Knob	2581656500
1-7	SB703333	OP Stop	2578313500	1-280	SK703942	Stop Knob	2581656700
1-9	MZ701214	Slider Head	2578323000	1-281	SK703943	FF-ISO Knob Part	2581657000
1-11	ML703335	Eject Lever	2578222500	1-282	SK703944	REW-ISO Knob Part	2581656900
1-15	ML703336	SW Slider	2578313900	1-301	ES703946	SW Leaf	2216519900
1-16	TK703419	REW Slider	2571933100	1-303	EP703947	Plunger	2214721100
1-19	BM703409	Motor (W/Pulley) ASSY	2212557400	1-304	MH703948	SP Pin D2.5	2270715300
1-21	BR703413	Take-Up Reel Table ASSY	2571234000	1-305	ZG703949	SP Clamp	2577232100
1-22	BF703412	Flywheel ASSY	2571742000	1-308	ZG703950	SP Lock	2577197000
1-23	MB703339	Drive Belt	2575533500	1-328	MT701184	Shoe Brake	2576141600
1-25	MV703340	Bushing B	2572534000	1-329	ZG701182	SP	2577616700
1-26	TK703414	ASO Chassis ASSY	2571944200	1-331	ZW701178	PW26x050x010TFL	2576451000
1-27	BL703415	Pinch Roller Lever ASSY	2571731800	1-334	ZW703391	Boss 4D1.6	2572537600
1-28	HE701174	Head E HET-49	2221822200	1-335	ML703392	Waiting Lever	2572236600
1-29	HP329493	Head REC/PB PR4-7G		1-336	ML703393	Lock Lever	2572243000
1-30	ML703343	REC Lock Lever AJ-490	2578222600	1-337	TK703394	Lock Lever Mount	2573315100
1-31	ZG703344	SP Holder	2577450600	1-338	ZG703395	SP 03TN14.5	2577155800
1-32	ES703345	SW Leaf 1C1P	2219546700	1-340	SC701181	Cover Coil	2573232900
1-36	TK703417	Drum Reel ASSY	2571231800	1-342	ZG701179	SP E-Head	2577762900
1-41	TK703418	Idler Mount ASSY	2571183800	1-365	ZG701180	SP Coil	2577703100
1-42	TK703346	SP Idler Mount	2577325500	1-382	ZW269550	PW21x040x050SUP	
1-44	ZG703347	SP OP-Stop	2577325400	1-400X	EJ701040	Plug 2P Cord	5102021100
1-46	ML702599	Pause Lock Lever	2578217300	1-401X	EJ701046	Plug 3P Cord	5103021300
1-47	ZG703349	SP OP-REW	2577325300	1-402X	EJ701045	Plug 6P Cord	5106021400
1-51	ZG703350	SP REC Lock	2577333700	1-403X	EJ701044	Plug 8P Cord	5108021000
1-52	ZG703351	SP Pinch-LV	2577330100	1-404X	ED742019	D Silicon S5277B (D716)	3797550000
1-53	MH701183	Pin 5P2.3	2572442000	1-405X	ED701130	D Varistor S3V20 (D008)	2211540100
1-54	ZG703352	SP 03TN33.5	2577177600				
1-58	ZG703353	SP 03TN14.5	2577172100				
1-59	ZG703354	SP 05TN19.5	2577171700				
1-60	ZG703355	SP 035TN37.5	2577188200				
1-61	ZG703356	SP 04TN16.5	2577172200				
1-62	ZG703357	SP 035TN5	2577172300				
1-64	ZG703358	SP P Lock	2577325200				
1-65	ZG703359	SP Head	2577224000				
1-69	ZW318014	PW26x045x040BRS N13					
1-78	ZS742062	Graduated Screw STL CMT	2270147200				
1-84	MC701173	Counter	2587323200				
1-85	MB703362	Belt 1K41	2575535900				
1-95	ZW355307	PW26x070x050BRS N13					
1-97	ML703363	Review Lever	2574832100				
1-99	ML703364	REC Stop Lever	2574824500				
1-100	ZG703365	SP 03TN13.5	2577178100				
1-103	ML703366	ASO Lever	2578217500				
1-104	ML703367	Release Lever	2578217100				
1-105	ZG703368	SP 03TN21	2577193700				
1-107	ZG703369	SP 02TN4.25	2577171400				
1-108	ZG703370	SP 02TN12.5	2577161000				
1-109	ML703371	Pause Lever	2578219400				
1-110	ML703373	Stop Lever	2578219300				
1-112	ML703374	Bias Lever	2578219700				
1-114	ML703376	Detection Lever	2578219500				
1-115	ML703377	Push Lever	2578219600				
1-118	TK703411	Cam Wheel ASSY	2571342400				
1-119	MB703379	Belt 1K46.5	2575539000				
1-124	ZG703380	SP Button	2577244700				
1-125	ZW703381	Ring E ERR040SKZN3A	7405004000				
1-128	ZS701175	BID20x20STL CMT	7043201200				
1-154	ZG703382	SP 03TN11.5	2577172400				
1-155	TK703420	Take-Up Idler ASSY	2571339600				
1-156	TK703384	ASO Gear	2575614900				
1-157	ZG703385	SP 02TN13.5	2577178000				
1-158	ZW702619	PW17x040x050PSL	2576454900				
1-160	TK703410	Clutch Wheel ASSY	2571736100				
1-161	ZS701176	T2BID20x12STL CMT	2270729900				
1-164	ZS703936	Special Screw, 2x12	2270149300				
1-165	ZS703937	Special Screw, 2.6x6	2270717400				
1-166	ZW703386	Ring E 300	2270318700				
1-167	ZW703387	Ring E 400	2270318800				

When ordering parts, please quote Parts Number, Description and Model Number.

2. RADIO P.C BOARD (22193207) BLOCK

Symbol No.	Parts No.	Description	Schematic No.
2-1	BA701135	Radio PC BLK AJ-530FS	2213123700
2-2	BA701136	Radio PC BLK AJ-530FL	2213123800
2-IC101	EI701060	IC μ PC1018C-E	2211488900
2-IC201	EI701061	IC μ PC1197C	2211489100
2-TR101	ET703254	TR 2SC784TM(O)	3673812000
2-TR102	ET701063	TR 2SC785TM(O)	3673817000
2-TR201	ET702748	TR 2SC380TM(R)	3670792000
2-TR202	ET319241	TR 2SC1815(Y)	45-1-299
2-TR203, 204	ET308980	TR 2SC1815(GR)	45-1-299
2-TR205	ET307195	TR 2SC2240(GR) (BL)	45-1-302
2-D101	ED702703	D Silicon 1S1555V	3724670300
2-D102	ED702702	D Silicon 1S2688	2211521000
2-D103	ED322810	D Zener H WZ-040	3724670300
2-D201	ED741904	D Silicon 1S1555V	3724670300
2-D203	ED741904	D Silicon 1S1555V	2211550600
2-D204 to 206	ED702704	D GERMA MPX-B	3724670300
2-D207, 208	ED741904	D Silicon 1S1555V	45-15-21
2-D209	ED310584	D LED GL-9PR2 RED	2269105600
2-TH201	ED701064	Thermistor 24D26	2229422600
2-L101	EO701071	Coil RF-FM	2229415500
2-L102	EO701073	Coil RF-FM	2229100900
2-L103	EO742246	FM Choke Coil	2229409400
2-L104	EO701072	Coil RF-FM	2228220100
2-L105	EO701067	Coil ANT-SW2 (FS)	2228220200
2-L105	EO701127	Coil ANT-SW (FL)	2224281000
2-L106	EO701066	Coil ANT-ASSY (FS)	2224281100
2-L106	EO701126	Coil ANT-ASSY (FL)	2224281000
2-L107	EO701066	Coil ANT-ASSY (FS)	2224281100
2-L107	EO701126	Coil ANT-ASSY (FL)	2228531000
2-L108	EO701069	Coil OSC-SW2 (FS)	2228531100
2-L108	EO701128	Coil OSC-SW (FL)	2228530900
2-L109	EO701068	Coil OSC-SW (FS)	2224535300
2-L109	EO742249	Coil OSC MW (FL)	2224535300
2-L110	EO742249	Coil OSC MW (FS)	2220505800
2-L110	EO7022670	Coil OSC LW (FL)	2226633900
2-IT101	BT701070	Trans FM-IF-M	2226728500
2-IT201	BT742251	Trans FM-IF	2226476600
2-IT202	BT742252	Trans AM-IF	2226476700
2-IT203	BT742253	Trans AM-IF	2226635200
2-IT204	BT742254	Trans AM-IF	2215309600
2-CF201, 202	ER742257	Filter CE	2230910400
2-TC102	EC741922	C S-Fix 8PF	2230910400
2-TC104	EC741922	C S-Fix 8PF	2230910400
2-TC105	EC741922	C S-Fix 8PF (FS)	2230914000
2-TC105	EC701129	C S-Fix 1R (FL)	2230910400
2-TC106	EC741922	C S-Fix 8PF	2230912800
2-TC107, 108	EC703269	C S-Fix 8PF	2214063300
2-SW101	ES701074	SW Push	2230720600
2-VC101	EE701134	VC AIR	2265845400
2-VR201	EV703298	R S-Fix 103	2265845900
2-VR202	EV701081	R S-Fix 102	2265844600
2-VR203	EV703311	R S-Fix 503	2223221800
2-AF201, 202	EO701077	Coil MPX	2216238500
2-T101	EJ701075	Terminal S2P	35-15-10
2-R226	ER406833	R OMF H 1W 470J	2257556001
2-R252	ER701078	R OMF 3W 560	24-11-3
2-C129	EC514001	C STYV 391J 50DC	24-11-3
2-C231	EC405898	C STYV 471J 50DC	5106023900
2-3	EJ701080	Plug 6P Cord	

3. IPSS P.C BOARD (22193237) BLOCK

Symbol No.	Parts No.	Description	Schematic No.
3-IC701	EI701056	IC TC4510BP	4047510200
3-IC702	EI306726	IC TC4069UBP	45-8-263
3-IC703	EI701057	IC TC4511BP	4047511200
3-IC704	EI701058	IC TA7137P	4031250000
3-TR701	ET308976	TR 2SC1815 (BL) (GR)	45-1-299
3-TR702	ET704194	TR 2SC1173 (O)	3677162000
3-TR703, 704	ET703397	TR 2SA1015 (Y)	3653404A00
3-TR705	ET308976	TR 2SC1815 (BL) (GR)	45-1-299
3-D701 to 710	ED741904	D Silicon 1S1555V	3724670300
3-D713, 714	ED702704	D GERMA MPX-B	2211550600
3-D718	ED741904	D Silicon 1S1555V	3724670300

4. VUP.C BOARD (22193238) BLOCK

Symbol No.	Parts No.	Description	Schematic No.
4-IC801, 802	EI701059	IC TA7612AP	4035521000
4-D715, 716	ED701124	D LED LN328GP	2211561800
4-D717	ED701125	D LED LN514RK	2211561900
4-D807	ED701123	D LED LN03202P	2211562100
4-D810	ED701121	D LED LN07302P	2211562000
4-D817	ED701123	D LED LN03202P	2211562100
4-D820	ED701121	D LED LN07302P	2211562000
4-D841	ED306724	D Silicon S5277B 100/1.0A	45-2-79
4-SW102	ES701079	SW Key	2214051000
4-C888	EC316183	C EC V Cut H 102M 16.0DC	24-12-46

5. MOTOR P.C BOARD (22193239) BLOCK

Symbol No.	Parts No.	Description	Schematic No.
5-TR002	ET701062	TR 2SD880 (Y)	3684852000
5-D002	ED510772	D Zener H WZ-120	45-6-67
5-R002	ER496833	R OMF H 1W 471J	35-15-10

6. AF P.C BOARD (22193240) BLOCK

Symbol No.	Parts No.	Description	Schematic No.
6-1	BA701137	AF PC BLK AJ-530FS (U) (U/T)	2213646400
6-2	BA701139	AF PC BLK AJ-530FS (C) (CSA)	2213646600
6-3	BA701138	AF PC BLK AJ-530FS (S) (SAA)	2213646500
6-4	BA701140	AF PC BLK AJ-530FL (E) (CEE, UK)	2213646700
6-IC301	EI703253	IC μ PC1186H	2211477700
6-IC601	EI701082	IC TA7328AP	4032512500
6-TR301, 302	ET307195	TR 2SC2240 (GR) (BL)	45-1-302
6-TR401, 402	ET307195	TR 2SC2240 (GR) (BL)	45-1-302
6-TR601, 602	ET307195	TR 2SC2240 (GR) (BL)	45-1-302
6-TR603, 604	ET308976	TR 2SC1815 (BL) (GR)	45-1-299
6-TR605, 606	ET307195	TR 2SC2240 (GR) (BL)	45-1-302
6-TR801, 802	ET308976	TR 2SC1815 (BL) (GR)	45-1-299
6-TR901, 902	ET308976	TR 2SC1815 (BL) (GR)	45-1-299
6-D003	ED701084	D LED GL-9HY2	2211564500
6-D601, 602	ED741904	D Silicon 1S1555V	3724670300
6-D603, 604	ED702704	D GERMA MPX-B	2211550600
6-D801 to 804	ED702704	D GERMA MPX-B	2211550600
6-D805, 806	ED741904	D Silicon 1S1555V	3724670300
6-D840	ED327098	D Zener H WZ-061	45-6-67
6-D901	ED741904	D Silicon 1S1555V	3724670300
6-D904	ED322810	D Zener H WZ-040	45-6-67
6-VR601 to 604	EV703279	R S-Fix 503	2265844600
6-VR801, 802	EV703279	R S-Fix 503	2265844600
6-LC601, 602	EO701090	Coil Choke AF	2221126100
6-L601, 602	EO701099	Coil Choke AF	2221126200
6-L901	EO701091	Coil OSC TP	2221510900
6-J601, 602	EJ701093	J 3.5-S	2216364100
6-J603	EJ701092	J US6P	2216382300
6-SW101	ES701097	SW Push	2214063400
6-SW102	ES704174	SW Push AJ-500	2214060100
6-SW103	ES701094	SW Slide	2214065800
6-SW103	ES701095	SW Rotary	2214065900
6-SW104, 105	ES701132	SW Slide	2214065700
6-R350	ER558213	R MF H 1W 181J	35-15-10
6-R903	ER411873	R OMF H 1W 101K	35-15-10
6-R905	ER558213	R MF H 1W 181J	35-15-10
6-R907	ER701107	R OMF 1W 151J	2257115101
6-R911	ER701106	R Fuse 1/4W 330J	2250026600
6-C907	EC701108	C STY 681J 100DC	2232121300
6-C908	EC701109	C STY 562J 100DC	2232119900
6-5	EJ701101	Plug 3P Cord	5103020500
6-6	EJ701102	Plug 8P Cord	5108020800
6-7	EJ701103	Plug 12P Cord	5112020900
6-8	EJ701104	Plug 13P Cord	5113021600
6-9	EJ701045	Plug 6P Cord	5106021400
6-10	EJ701105	Plug 7P Cord	5107021500

7. POWER SUPPLY P.C BOARD (22193242) BLOCK

Symbol No.	Parts No.	Description	Schematic No.
7-D004	ED701110	D Silicon S4VB10	2211533600
7-F1	EF701172	Δ Fuse 250V 2.00A	2214419500
7-C003	EC322419	C EC V Cut H 332M 25.0DC	24-12-46
7-J001	EJ703289	Δ EXT Power Jack (U/T)	2216375000
7-J001	EJ703287	Δ AC Socket (CSA)	2216787800
7-J001	EJ702640	Δ AC Socket (SAA,CEE,UK)	2216786800
7-J002	EJ703288	Δ AC Socket (U/T)	2216786700

8. POWER AMP P.C BOARD (22193243) BLOCK

Symbol No.	Parts No.	Description	Schematic No.
8-IC302	EI704196	IC TA-7120P	4031100500
8-IC501	EI701083	IC HA1392	2211485600
8-TR001	ET701062	TR 2SD880 (Y)	3684852000
8-TR405, 406	ET308976	TR 2SC1815 (BL) (GR)	45-1-299
8-D001	ED510772	D Zener H WZ-120	45-6-67
8-D501	ED702704	D GERMA MPX-B	2211550600
8-VR301	EV701085	VR Rotary 16 B503-W	2265521000
8-VR407	EV701089	VR Rotary 16 W104-D	2265123200
8-C507	EC316184	C EC V Cut H 102M 25.0DC	24-12-46
8-C510, 511	EC316183	C EC V Cut H 102M 16.0DC	24-12-46
8-J501, 502	EJ742263	J D3.5	2216330700
8-J503	EJ741975	Phone J 6.5ST	2216372000
8-J604	EJ742263	J D3.5	2216330700

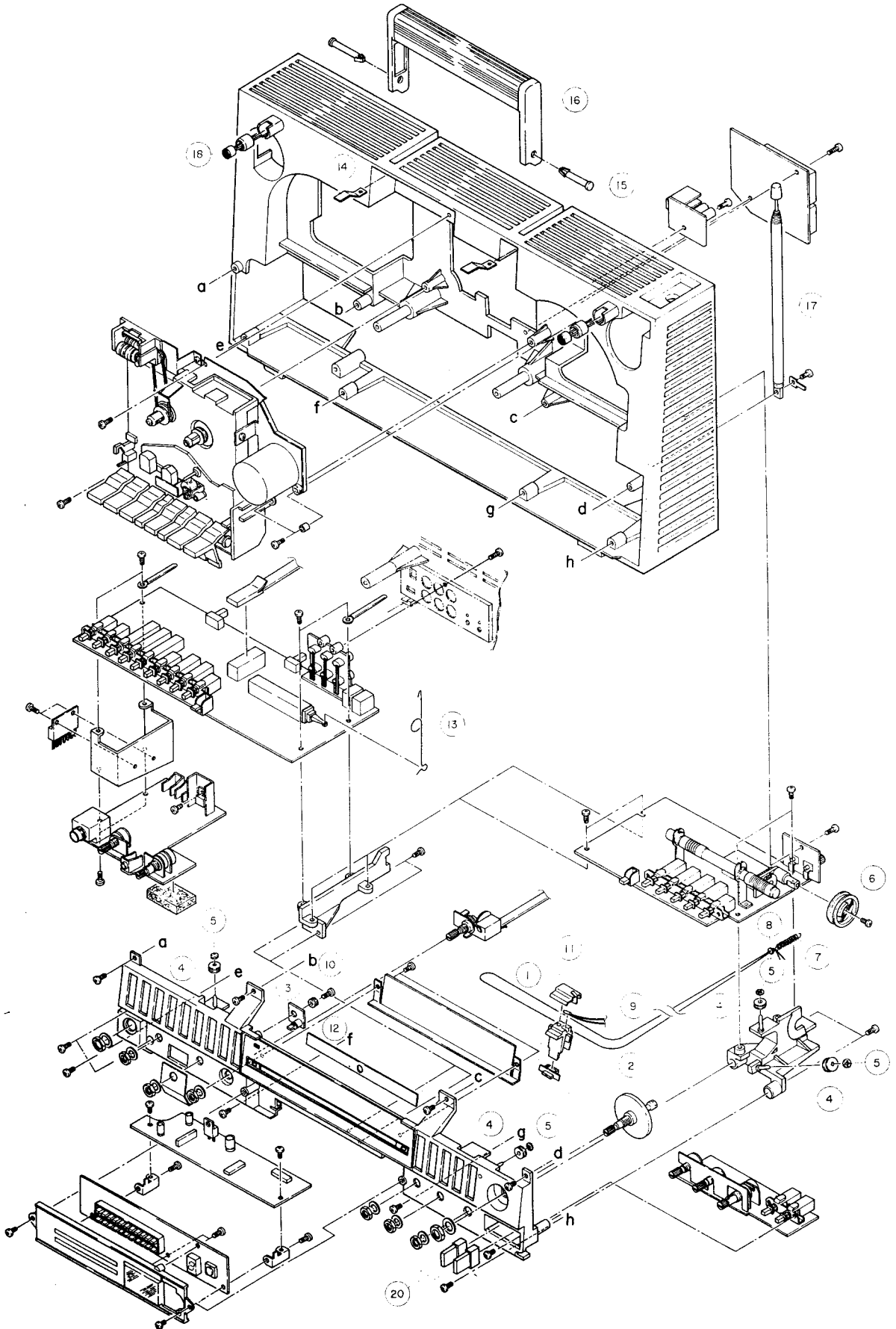
9. FUDOLBY P.C BOARD (22193244) BLOCK

Symbol No.	Parts No.	Description	Schematic No.
9-IC601	EI741889	IC NE646B AC-3750	2211468100
9-VR605, 606	EV703279	R S-Fix 503	2265844600
9-FL601	ER741890	Filter Block Comp. AC-3750	2213720000
9-C606	EC741892	C STY 5601G 50V	2238003300
9-C607	EC741893	C STY 4701G 50V	2238003400
9-C608	EC741894	C STY 2702G 100V	2232109900
9-C639, 640	EC637075	C STY V 181J 50DC	24-11-3

10. VR P.C BOARD (22193245) BLOCK

Symbol No.	Parts No.	Description	Schematic No.
10-TR403, 404	ET308976	TR 2SC1815 (BL) (GR)	45-1-299
10-VR401	EV701088	VR Rotary 16 B503-D	2265122800
10-VR403	EV701088	VR Rotary 16 B503-D	2265122800
10-VR405	EV701086	VR Rotary 16 B103-W-T	2265521100
10-SW106	ES701096	SW Push	2214063500

11. ASSEMBLY BLOCK



INDEX

1. MODEL AJ-520 FS/FL

Parts No.	Ref. No. & Symbol No.	Parts No.	Ref. No. & Symbol No.	Parts No.	Ref. No. & Symbol No.	Parts No.	Ref. No. & Symbol No.	Parts No.	Ref. No. & Symbol No.
BA701198	2-1	EE701134	2-VC101	ER701107	6-R907	ML703392	1-335	ZG703349	1-47
BA701199	2-2	EE703968	10-16	ER701208	6-R911	ML703393	1-336	ZG703350	1-51
BA701203	6-1	EF701172	7-F1	ER742257	2-CF201,202	MR701038	10-3	ZG703351	1-52
BA701204	6-3	EI306726	3-IC702	ES701074	2-SW101	MR701039	10-4	ZG703352	1-54
BA701205	6-2	EI701056	3-IC701	ES701079	4-SW102	MS701037	10-2	ZG703353	1-58
BA701206	6-4	EI701057	3-IC703	ES701094	6-SW103	MT701184	1-328	ZG703354	1-59
BC701141	10-44	EI701058	3-IC704	ES701095	6-SW103	MV703340	1-25	ZG703355	1-60
BC701193	10-25	EI701059	4-IC801,802	ES701096	9-SW106	MZ701214	1-9	ZG703356	1-61
BC701194	10-26X	EI701060	2-IC101	ES701097	6-SW101	SB701030	10-42	ZG703357	1-62
BF703412	1-22	EI701061	2-IC201	ES701132	6-SW104,105	SB701031	10-43	ZG703358	1-64
BL703415	1-27	EI701082	6-IC601	ES703345	1-32	SB703330	1-3	ZG703359	1-65
BM703409	1-19	EI701083	8-IC501	ES703946	1-301	SB703331	1-5	ZG703365	1-100
BR703413	1-21	EI703253	6-IC301	ES704174	6-SW102	SB703332	1-6	ZG703368	1-105
BT701070	2-IT101	EI704196	8-IC302	ET307195	2-TR205	SB703333	1-7	ZG703369	1-107
BT701209	10-23X	EJ701029	10-40X	ET307195	6-TR301,302	SC701181	1-340	ZG703370	1-108
BT701210	10-20	EJ701033	10-18X	ET307195	6-TR401,402	SK701023	10-31	ZG703380	1-124
BT701211	10-22X	EJ701035	10-51	ET307195	6-TR601,602	SK701049	10-52	ZG703382	1-154
BT701213	10-21X	EJ701036	10-1	ET307195	6-TR605,606	SK701050	10-53	ZG703385	1-157
BT742251	2-IT201	EJ701040	1-400X	ET308976	3-TR701	SK701051	10-54	ZG703388	1-190
BT742252	2-IT202	EJ701044	1-403X	ET308976	3-TR705	SK701052	10-55	ZG703395	1-338
BT742253	2-IT203	EJ701045	1-402X	ET308976	6-TR603,604	SK701053	10-56	ZG703949	1-305
BT742254	2-IT204	EJ701045	6-9	ET308976	6-TR801,802	SK701055	10-19	ZG703950	1-308
BZ701142	1-1	EJ701046	1-401X	ET308976	6-TR901,902	SK703938	1-275	ZG703969	10-46
EC316183	8-C510, 511	EJ701048	10-12	ET308976	8-TR405,406	SK703939	1-276	ZS314702	10-49
EC316184	8-C507	EJ701075	2-T101	ET308976	9-TR403,404	SK703940	1-277	ZS701175	1-128
EC322419	7-C003	EJ701080	2-3	ET308980	2-TR203,204	SK703941	1-279	ZS701176	1-161
EC405898	2-C231	EJ701092	6-J603	ET319241	2-TR202	SK703942	1-280	ZS701191	10-50
EC514001	2-C129	EJ701093	6-J601,602	ET701062	5-TR002	SK703943	1-281	ZS701192	10-10
EC701108	6-C907	EJ701101	6-5	ET701062	8-TR001	SK703944	1-282	ZS702661	10-24
EC701109	6-C908	EJ701102	6-6	ET701063	2-TR102	SS701027	10-38	ZS703936	1-164
EC701129	2-TC105	EJ701103	6-7	ET702748	2-TR201	SS701028	10-39	ZS703937	1-165
EC703269	2-TC107,108	EJ701104	6-8	ET703254	2-TR101	TA701041	10-9	ZS742062	1-78
EC704164	10-41X	EJ701105	6-10	ET703397	3-TR703,704	TK701018	10-27	ZW259367	1-197
EC741922	2-TC102	EJ702640	7-J001	ET704194	3-TR702	TK701019	10-28	ZW269550	1-382
EC741922	2-TC104	EJ703250	10-58X	EV701081	2-VR202	TK701020	10-29	ZW318014	1-69
EC741922	2-TC105	EJ703287	7-J001	EV701085	8-VR301	TK701022	10-30	ZW355307	1-95
EC741922	2-TC106	EJ703288	7-J002	EV701086	9-VR405	TK701025	10-33	ZW701047	10-8
ED306724	4-D841	EJ703289	7-J001	EV701088	9-VR401	TK701026	10-35	ZW701178	1-331
ED310584	2-D209	EJ741975	8-J503	EV701088	9-VR403	TK701042	10-11	ZW702619	1-158
ED322810	2-D103	EJ742263	8-J501,502	EV701089	8-VR407	TK701115	10-36	ZW703381	1-125
ED322810	6-D904	EJ742263	8-J604	EV703279	6-VR601to604	TK701116	10-37	ZW703386	1-166
ED327059	5-D002	EO701066	2-L106	EV703279	6-VR801,802	TK701117	10-45	ZW703387	1-167
ED327098	6-D840	EO701066	2-L107	EV703298	2-VR201	TK701195	10-57X	ZW703391	1-334
ED510772	8-D001	EO701067	2-L105	EV703311	2-VR203	TK703239	10-6	ZW742103	10-5
ED701064	2-TH201	EO701068	2-L109	EW702646	10-59X	TK703280	10-17		
ED701084	6-D003	EO701069	2-L108	EW702647	10-60X	TK703302	10-14		
ED701110	7-D004	EO701071	2-L101	EW702648	10-62X	TK703346	1-42		
ED701124	4-D715,716	EO701072	2-L104	EW703251	10-63X	TK703384	1-156		
ED701125	4-D717	EO701073	2-L102	EW704141	10-61X	TK703394	1-337		
ED701130	1-405X	EO701077	2-AF201,202	HE701174	1-28	TK703410	1-160		
ED701200	4-D810	EO701090	6-LC601,602	HP329493	1-29	TK703411	1-118		
ED701200	4-D820	EO701091	6-L901	MB703339	1-23	TK703414	1-26		
ED701202	4-D808	EO701099	6-L601,602	MB703362	1-85	TK703417	1-36		
ED701202	4-D818	EO701126	2-L106	MB703379	1-119	TK703418	1-41		
ED702702	2-D102	EO701126	2-L107	MC701173	1-84	TK703419	1-16		
ED702704	2-D204 to 206	EO701127	2-L105	MH701183	1-53	TK703420	1-155		
ED702704	3-D713,714	EO701128	2-L108	MH703948	1-304	TK703933	1-2		
ED702704	6-D603,604	EO702670	2-L110	ML702599	1-46	TK703935	1-4		
ED702704	6-D801 to 804	EO742246	2-L103	ML703335	1-11	TK703966	10-15		
ED702704	8-D501	EO742249	2-L109	ML703336	1-15	TK742237	10-47		
ED741904	2-D101	EO742249	2-L110	ML703343	1-30	ZG701024	10-32		
ED741904	2-D201	EP703947	1-303	ML703363	1-97	ZG701034	10-48		
ED741904	2-D203	ER295637	2-R256	ML703364	1-99	ZG701179	1-342		
ED741904	2-D207,208	ER304256	6-R903	ML703366	1-103	ZG701180	1-365		
ED741904	3-D701 to 710	ER406833	2-R226	ML703367	1-104	ZG701182	1-329		
ED741904	3-D718	ER496833	5-R002	ML703371	1-109	ZG703224	10-34X		
ED741904	6-D601,602	ER496833	6-R001	ML703373	1-110	ZG703232	10-13		
ED741904	6-D805,806	ER558213	6-R350	ML703374	1-112	ZG703307	10-7		
ED741904	6-D901	ER558213	6-R905	ML703376	1-114	ZG703344	1-31		
ED742019	1-404X	ER701078	2-R252	ML703377	1-115	ZG703347	1-44		

2. MODEL AJ-530 FS/FL

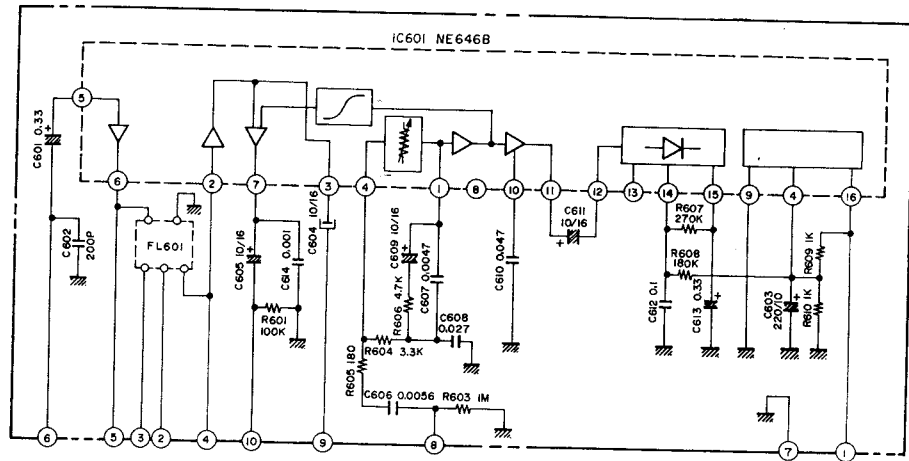
Parts No.	Ref. No. & Symbol No.	Parts No.	Ref. No. & Symbol No.	Parts No.	Ref. No. & Symbol No.	Parts No.	Ref. No. & Symbol No.	Parts No.	Ref. No. & Symbol No.
BA701135	2-1	ED741904	3-D701to710	ER411873	6-R903	ML703366	1-103	ZG701180	1-365
BA701136	2-2	ED741904	3-D718	ER496833	5-R002	ML703367	1-104	ZG701182	1-329
BA701137	6-1	ED741904	6-D601,602	ER558213	6-R350	ML703371	1-109	ZG703224	11-35X
BA701138	6-3	ED741904	6-D805,806	ER558213	6-R905	ML703373	1-110	ZG703232	11-14
BA701139	6-2	ED741904	6-D901	ER701078	2-R252	ML703374	1-112	ZG703307	11-7
BA701140	6-4	ED742019	1-404X	ER701106	6-R911	ML703376	1-114	ZG703344	1-31
BC701113	11-26	EE701134	2-VC101	ER701107	6-R907	ML703377	1-115	ZG703347	1-44
BC701114	11-27X	EE703968	11-17	ER741890	9-FL601	ML703392	1-335	ZG703349	1-47
BC701141	11-45	EF701172	7-F1	ER742257	2-CF201,202	ML703393	1-336	ZG703350	1-51
BF703412	1-22	EI306726	3-IC702	ES701074	2-SW101	MR701038	11-3	ZG703351	1-52
BL703415	1-27	EI701056	3-IC701	ES701079	4-SW102	MR701039	11-4	ZG703352	1-54
BM703409	1-19	EI701057	3-IC703	ES701094	6-SW103	MS701037	11-2	ZG703353	1-58
BR703413	1-21	EI701058	3-IC704	ES701095	6-SW103	MT701184	1-328	ZG703354	1-59
BT701070	2-IT101	EI701059	4-IC801,802	ES701096	10-SW106	MV703340	1-25	ZG703355	1-60
BT701112	11-21	EI701060	2-IC101	ES701097	6-SW101	MZ701214	1-9	ZG703356	1-61
BT701169	11-24X	EI701061	2-IC201	ES701132	6-SW104,105	SB701030	11-43	ZG703357	1-62
BT701170	11-22X	EI701082	6-IC601	ES703345	1-32	SB701031	11-44	ZG703358	1-64
BT701171	11-23X	EI701083	8-IC501	ES703946	1-301	SB703330	1-3	ZG703359	1-65
BT742251	2-IT201	EI703253	6-IC301	ES704174	6-SW102	SB703331	1-5	ZG703365	1-100
BT742252	2-IT202	EI704196	8-IC302	ET307195	2-TR205	SB703332	1-6	ZG703368	1-105
BT742253	2-IT203	EI741889	9-IC601	ET307195	6-TR301,302	SB703333	1-7	ZG703369	1-107
BT742254	2-IT204	EJ701029	11-41X	ET307195	6-TR401,402	SC701181	1-340	ZG703370	1-108
BZ701142	1-1	EJ701033	11-19X	ET307195	6-TR601,602	SK701023	11-32	ZG703380	1-124
EC316183	4-C888	EJ701035	11-52	ET307195	6-TR605,606	SK701049	11-53	ZG703382	1-154
EC316183	8-C510, 511	EJ701036	11-1	ET308976	3-TR701	SK701050	11-54	ZG703385	1-157
EC316184	8-C507	EJ701040	1-400X	ET308976	3-TR705	SK701051	11-55	ZG703388	1-190
EC322419	7-C003	EJ701044	1-403X	ET308976	6-TR603,604	SK701052	11-56	ZG703395	1-338
EC405898	2-C231	EJ701045	1-402X	ET308976	6-TR801,802	SK701053	11-57	ZG703949	1-305
EC514001	2-C129	EJ701045	6-9	ET308976	6-TR901,902	SK701055	11-20	ZG703950	1-308
EC637075	9-C639,640	EJ701046	1-401X	ET308976	8-TR405,406	SK703938	1-275	ZG703969	11-47
EC701108	6-C907	EJ701048	11-13	ET308976	10-TR403,404	SK703939	1-276	ZS314702	11-50
EC701109	6-C908	EJ701075	2-T101	ET308980	2-TR203,204	SK703940	1-277	ZS701175	1-128
EC701129	2-TC105	EJ701080	2-3	ET319241	2-TR202	SK703941	1-279	ZS701176	1-161
EC703269	2-TC107,108	EJ701092	6-J603	ET701062	5-TR002	SK703942	1-280	ZS701191	11-51
EC704164	11-42X	EJ701093	6-J601,602	ET701062	8-TR001	SK703943	1-281	ZS701192	11-10
EC741892	9-C606	EJ701101	6-5	ET701063	2-TR102	SK703944	1-282	ZS702661	11-25
EC741893	9-C607	EJ701102	6-6	ET702748	2-TR201	SS701027	11-39	ZS703936	1-164
EC741894	9-C608	EJ701103	6-7	ET703254	2-TR101	SS701028	11-40	ZS703937	1-165
EC741922	2-TC102	EJ701104	6-8	ET703397	3-TR703,704	TA701041	11-9	ZS742062	1-78
EC741922	2-TC104	EJ701105	6-10	ET704194	3-TR702	TK701018	11-28	ZW259367	1-197
EC741922	2-TC105	EJ702640	7-J001	EV701081	2-VR202	TK701019	11-29	ZW269550	1-382
EC741922	2-TC106	EJ703250	11-59X	EV701085	8-VR301	TK701020	11-30	ZW318014	1-69
ED306724	4-D841	EJ703287	7-J001	EV701086	10-VR405	TK701022	11-31	ZW355307	1-95
ED310584	2-D209	EJ703288	7-J002	EV701088	10-VR401	TK701025	11-34	ZW701047	11-8
ED322810	2-D103	EJ703289	7-J001	EV701088	10-VR403	TK701026	11-36	ZW701178	1-331
ED322810	6-D904	EJ741975	8-J503	EV701089	8-VR407	TK701042	11-11	ZW702619	1-158
ED327098	6-D840	EJ742263	8-J501,502	EV703279	6-VR601to604	TK701115	11-37	ZW703381	1-125
ED510772	5-D002	EJ742263	8-J604	EV703279	6-VR801,802	TK701116	11-38	ZW703386	1-166
ED510772	8-D001	EO701066	2-L106	EV703279	9-VR605,606	TK701117	11-46	ZW703387	1-167
ED701064	2-TH201	EO701066	2-L107	EV703298	2-VR201	TK701118	11-58X	ZW703391	1-334
ED701084	6-D003	EO701067	2-L105	EV703311	2-VR203	TK703239	11-6	ZW742103	11-5
ED701110	7-D004	EO701068	2-L109	EW702646	11-60X	TK703280	11-18		
ED701121	4-D810	EO701069	2-L108	EW702647	11-61X	TK703302	11-15		
ED701121	4-D820	EO701071	2-L101	EW702648	11-63X	TK703346	1-42		
ED701123	4-D807	EO701072	2-L104	EW703251	11-64X	TK703384	1-156		
ED701123	4-D817	EO701073	2-L102	EW704141	11-62X	TK703394	1-337		
ED701124	4-D715,716	EO701077	2-AF201,202	HE701174	1-28	TK703410	1-160		
ED701125	4-D717	EO701090	6-LC601,602	HP329493	1-29	TK703411	1-118		
ED701130	1-405X	EO701091	6-L901	MB703339	1-23	TK703414	1-26		
ED701131	11-12	EO701099	6-L601,602	MB703362	1-85	TK703417	1-36		
ED702702	2-D102	EO701126	2-L106	MB703379	1-119	TK703418	1-41		
ED702703	2-D101	EO701126	2-L107	MC701173	1-84	TK703419	1-16		
ED702704	2-D204 to 206	EO701127	2-L105	MH701183	1-53	TK703420	1-155		
ED702704	3-D713,714	EO701128	2-L108	MH703948	1-304	TK703933	1-2		
ED702704	6-D603,604	EO702670	2-L110	ML702599	1-46	TK703935	1-4		
ED702704	6-D801 to 804	EO742246	2-L103	ML703335	1-11	TK703966	11-16		
ED702704	8-D501	EO742249	2-L109	ML703336	1-15	TK742237	11-48		
ED741904	2-D201	EO742249	2-L110	ML703343	1-30	ZG701024	11-33		
ED741904	2-D203	EP703947	1-303	ML703363	1-97	ZG701034	11-49		
ED741904	2-D207,208	ER406833	2-R226	ML703364	1-99	ZG701179	1-342		

SECTION 3

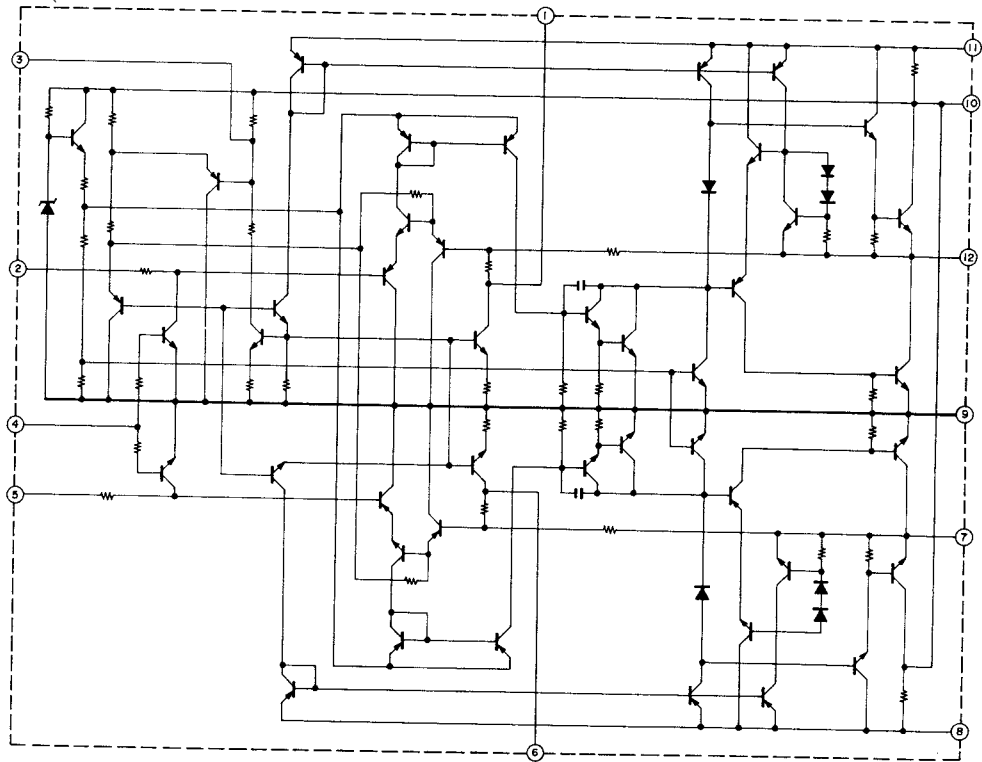
SCHEMATIC DIAGRAM

1. SCHEMATIC DIAGRAM OF ICs
2. AJ-520FS/FL No.8-1 1602226A CONNECTION DIAGRAM
3. AJ-520FS/FL No.8-2 1602227A SCHEMATIC DIAGRAM
4. AJ-520FS No.8-3 1602228A RADIO SCHEMATIC DIAGRAM
5. AJ-520FL No.8-4 1602229A RADIO SCHEMATIC DIAGRAM
6. AJ-530FS/FL No.8-5 1602230A CONNECTION DIAGRAM
7. AJ-530FS/FL No.8-6 1602231A SCHEMATIC DIAGRAM
8. AJ-530FS No.8-7 1602232A RADIO SCHEMATIC DIAGRAM
9. AJ-530FL No.8-8 1602233A RADIO SCHEMATIC DIAGRAM

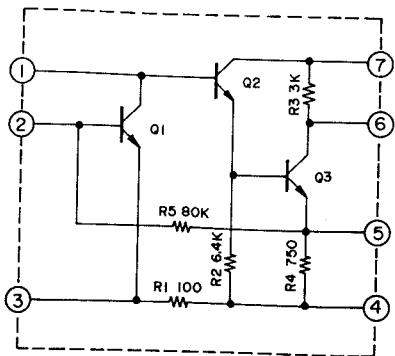
FU DOLBY



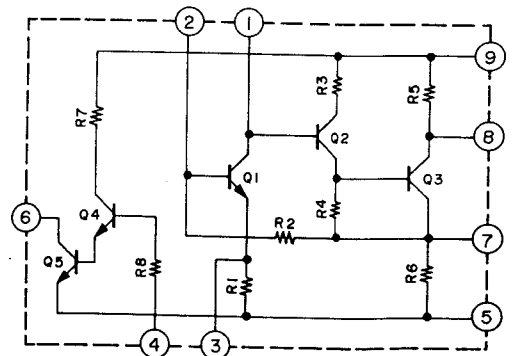
HA1392



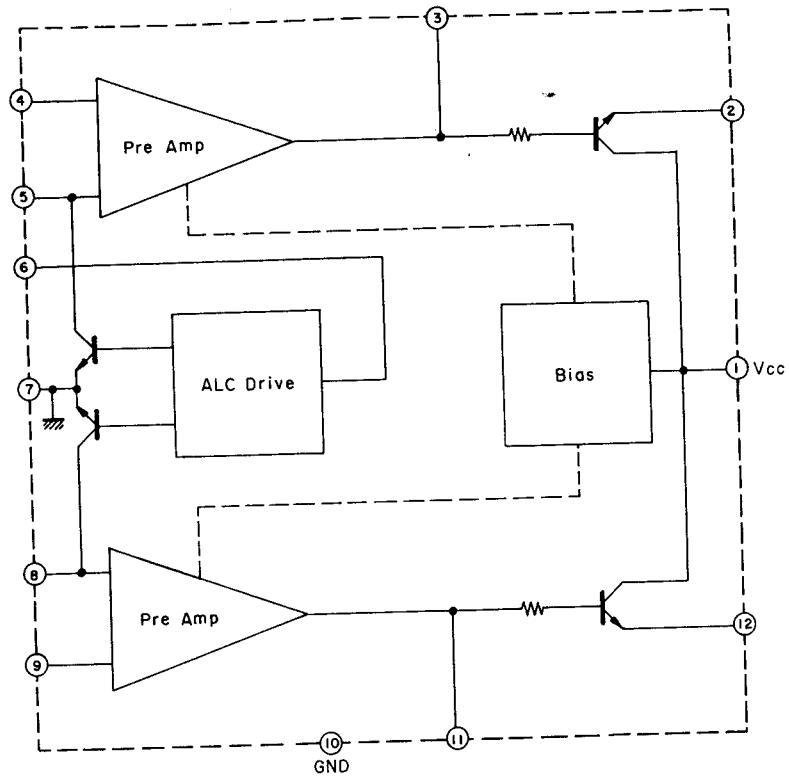
TA7120P



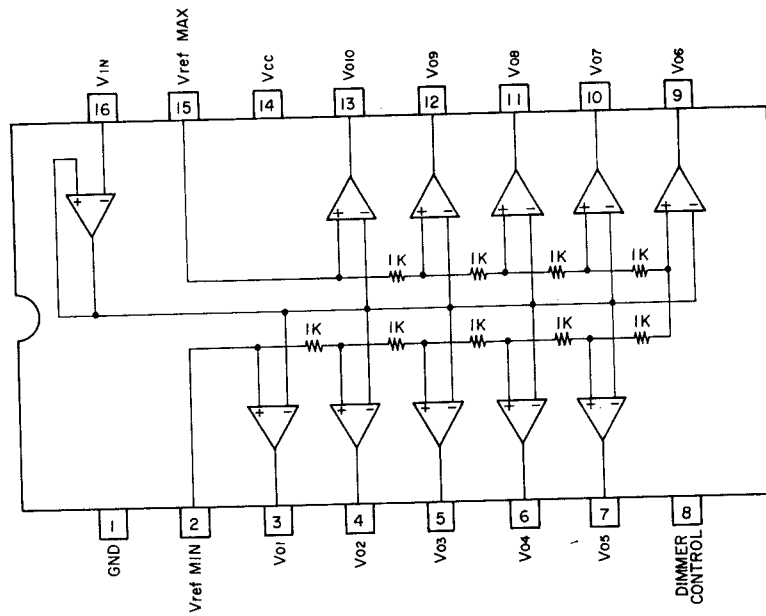
TA7137P



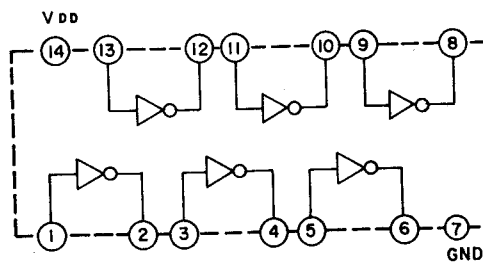
TA7328AP



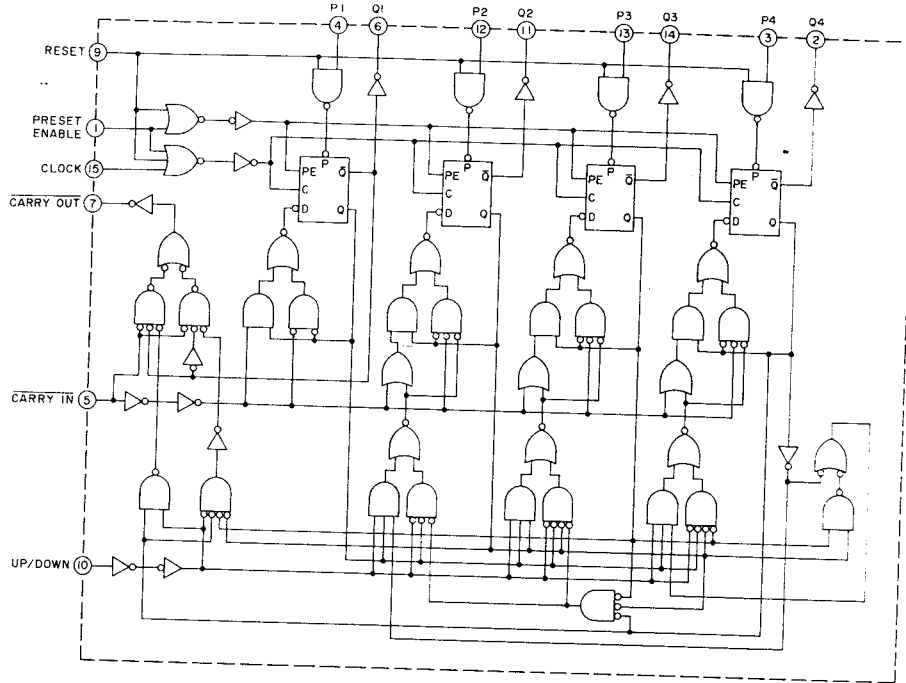
TA7612AP



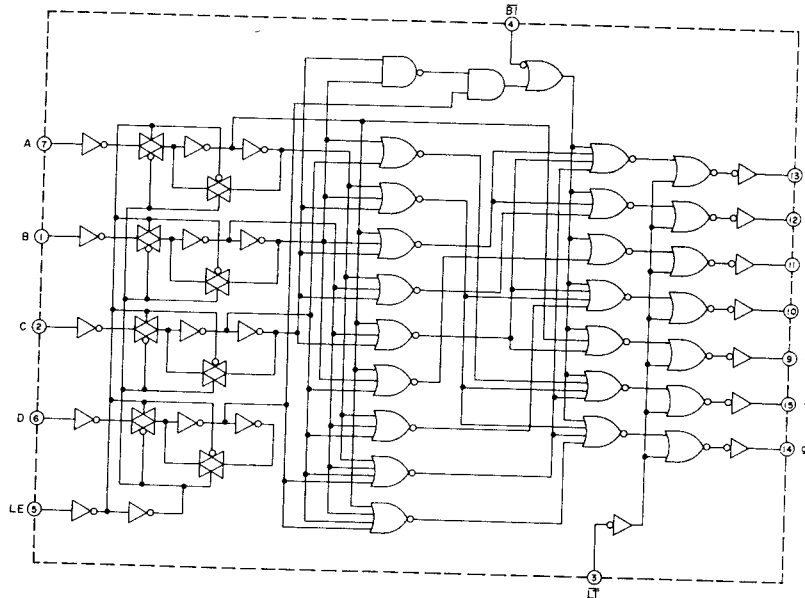
TC4069UBP



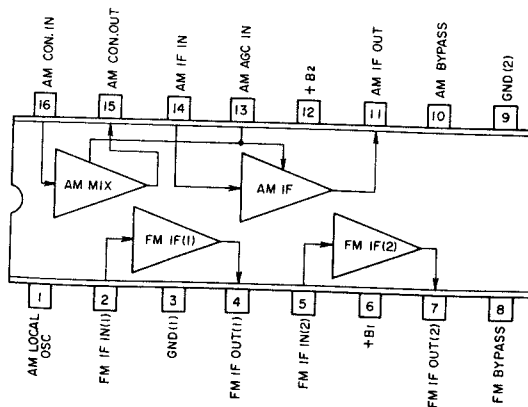
TC4510BP



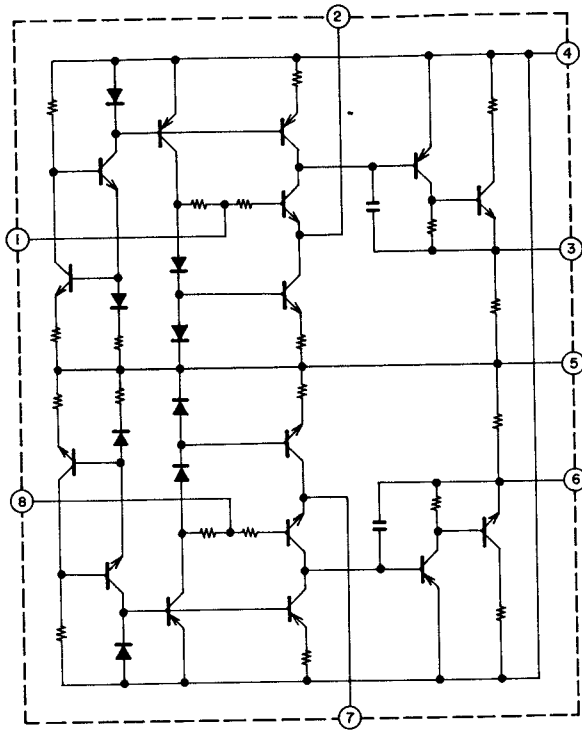
TC4511BP



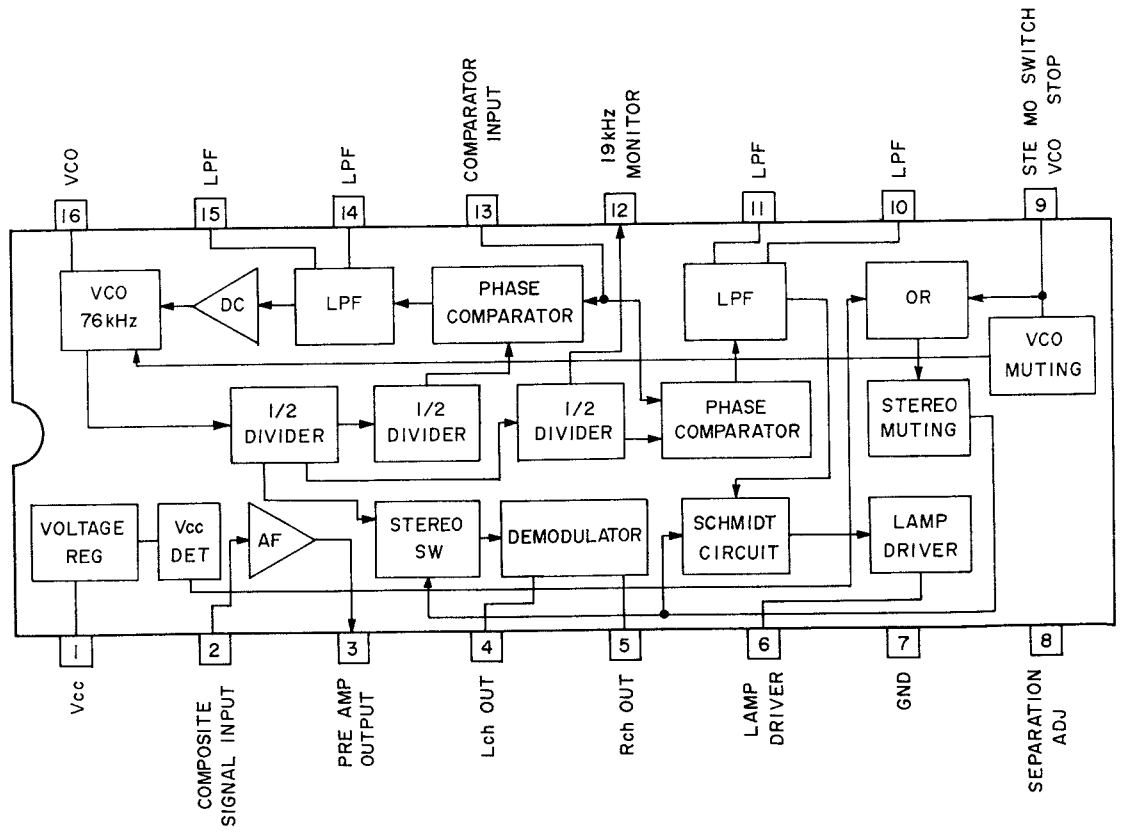
μPC1018C

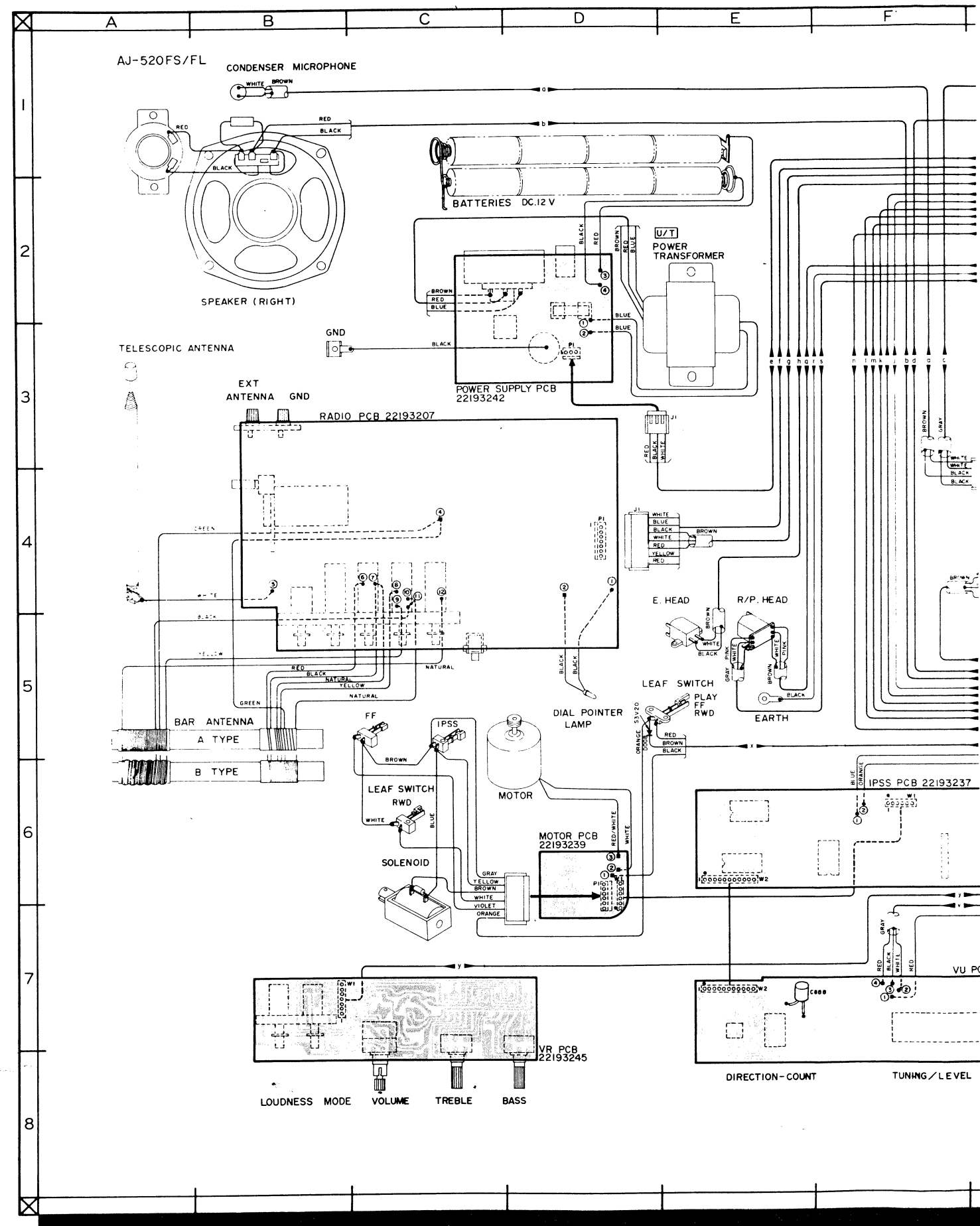
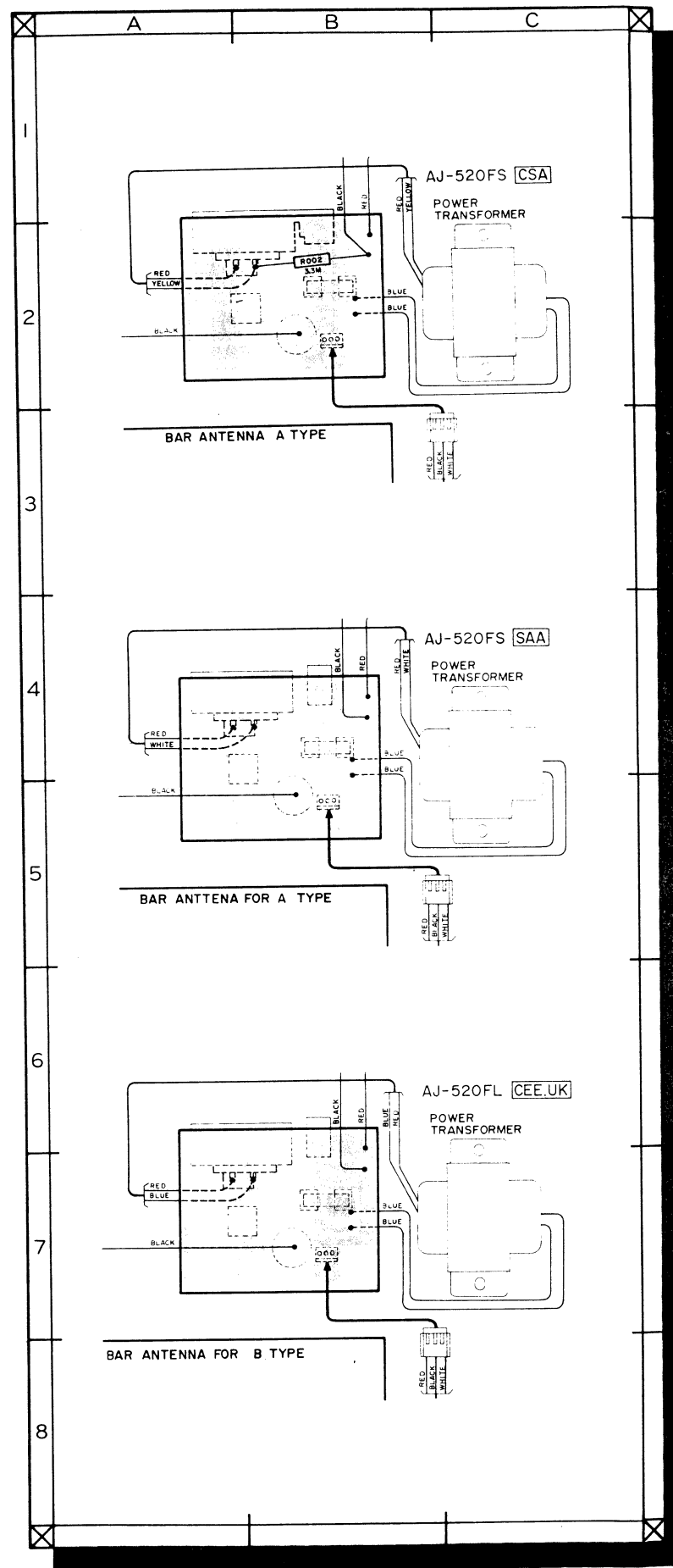


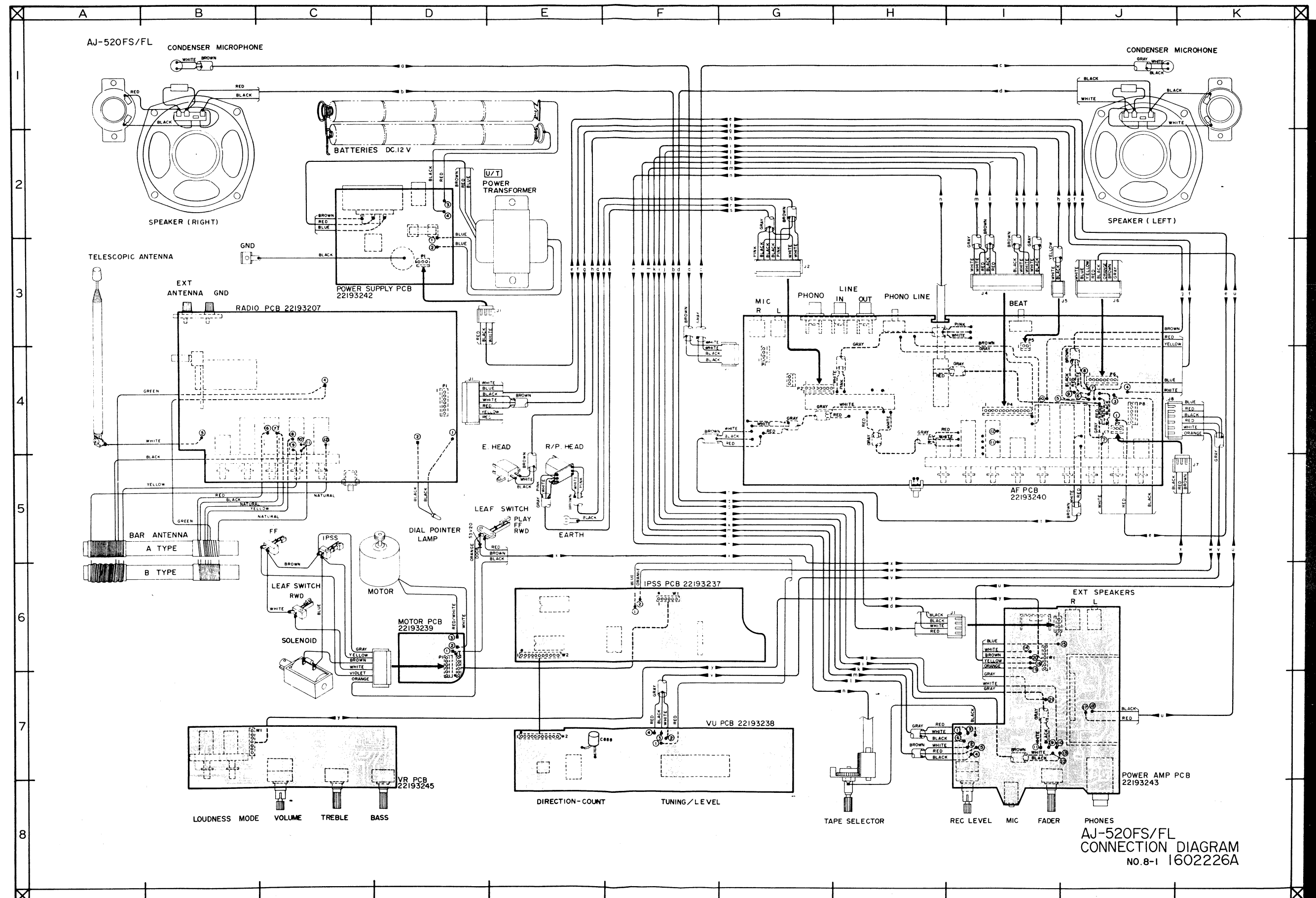
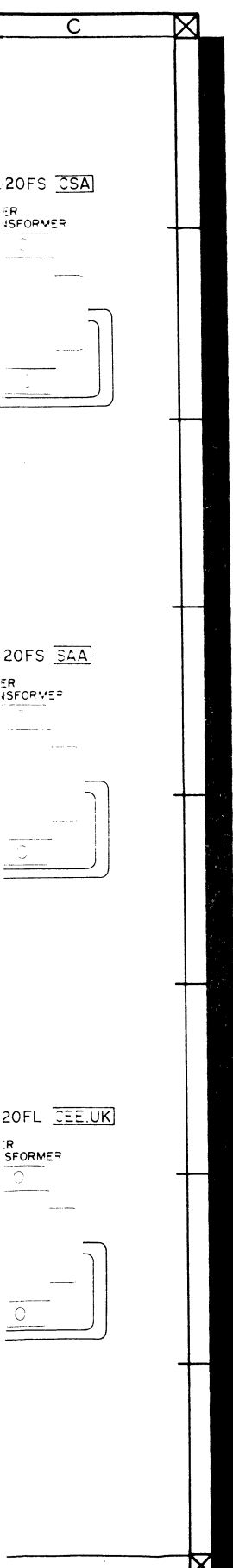
μ PC1186H



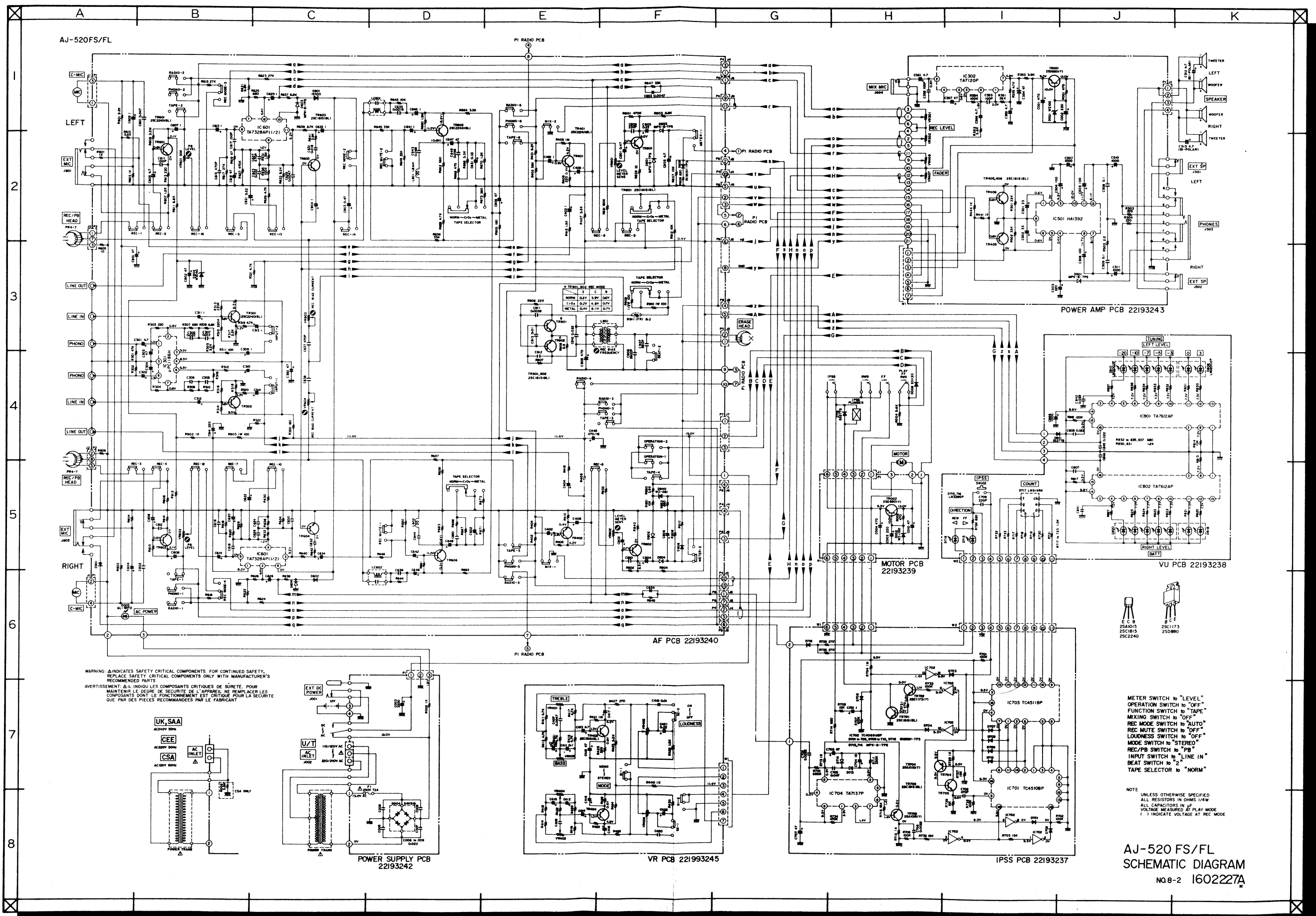
μ PC1197C







AJ-520FS/FL
CONNECTION DIAGRAM
NO.8-1 1602226A



AJ-520FS/FL

LEFT

RIGHT

WARNING: INDICATES SAFETY CRITICAL COMPONENTS. FOR CONTINUED SAFETY, REPLACE SAFETY CRITICAL COMPONENTS ONLY WITH MANUFACTURER'S RECOMMENDED PARTS.
 AVERTISSEMENT: IL INDIQUE LES COMPOSANTS CRITIQUES DE SÉCURITÉ. POUR MAINTENIR LE DEGRÉ DE SÉCURITÉ DE L'APPAREIL, NE REMPLACER LES COMPOSANTS QUE PAR DES PIÈCES RECOMMANDÉES PAR LE FABRICANT.

UK, SAA
 CEE
 CSA

POWER SUPPLY PCB
 22193242

AF PCB 22193240

VR PCB 221993245

MOTOR PCB
 22193239

IPSS PCB 22193237

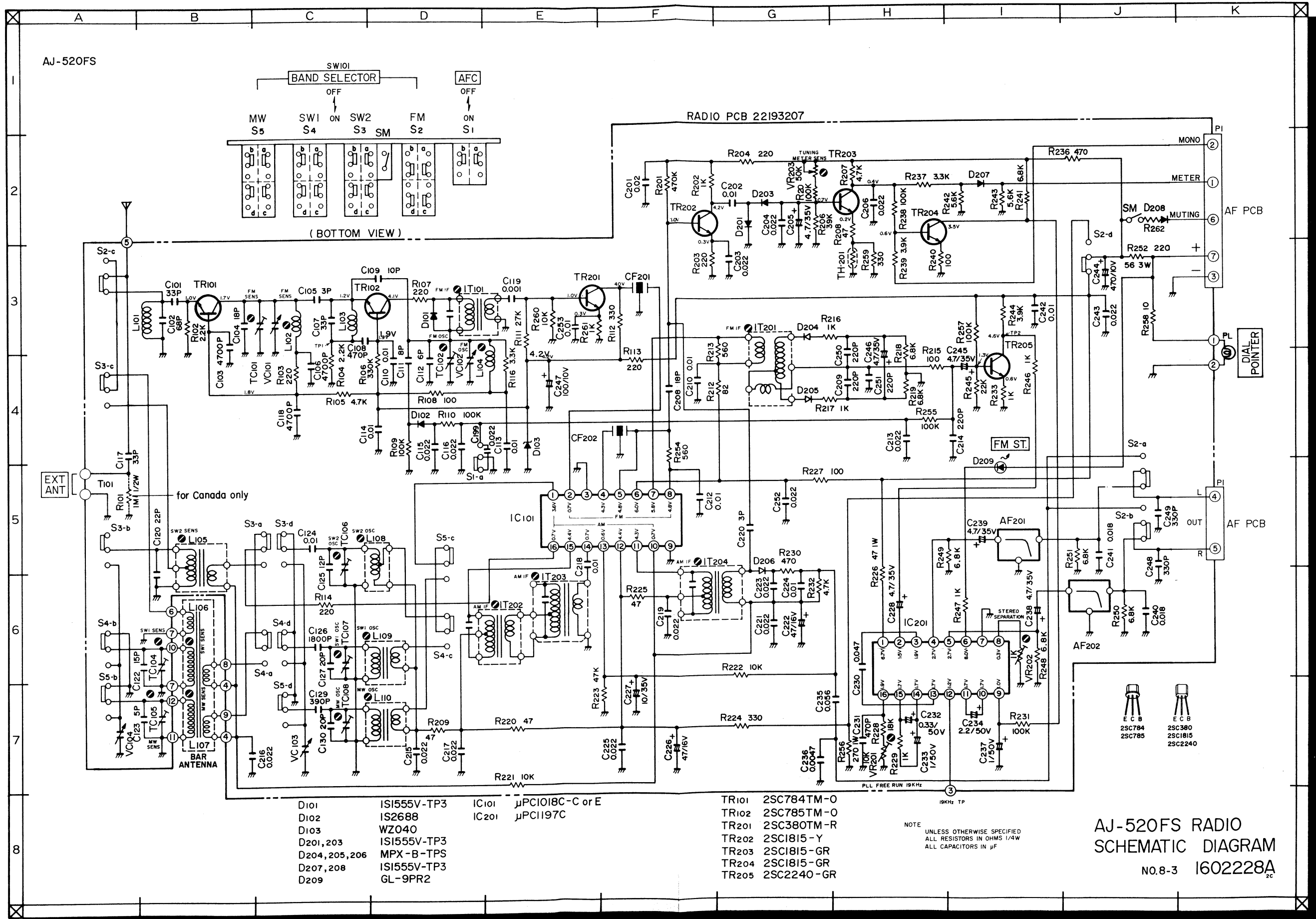
POWER AMP PCB 22193243

VU PCB 22193238

METER SWITCH to "LEVEL"
 OPERATION SWITCH to "OFF"
 FUNCTION SWITCH to "TAPE"
 MIXING SWITCH to "OFF"
 REC MODE SWITCH to "AUTO"
 REC MUTE SWITCH to "OFF"
 LOUDNESS SWITCH to "OFF"
 MODE SWITCH to "STEREO"
 REC/PB SWITCH to "PB"
 INPUT SWITCH to "LINE IN"
 BEAT SWITCH to "2"
 TAPE SELECTOR to "NORM"

NOTE
 UNLESS OTHERWISE SPECIFIED
 ALL RESISTORS IN OHMS 1/4W
 ALL CAPACITORS IN μF
 VOLTAGE MEASURED AT PLAY MODE
 () INDICATE VOLTAGE AT REC MODE

AJ-520 FS/FL
 SCHEMATIC DIAGRAM
 NO.8-2 1602227A

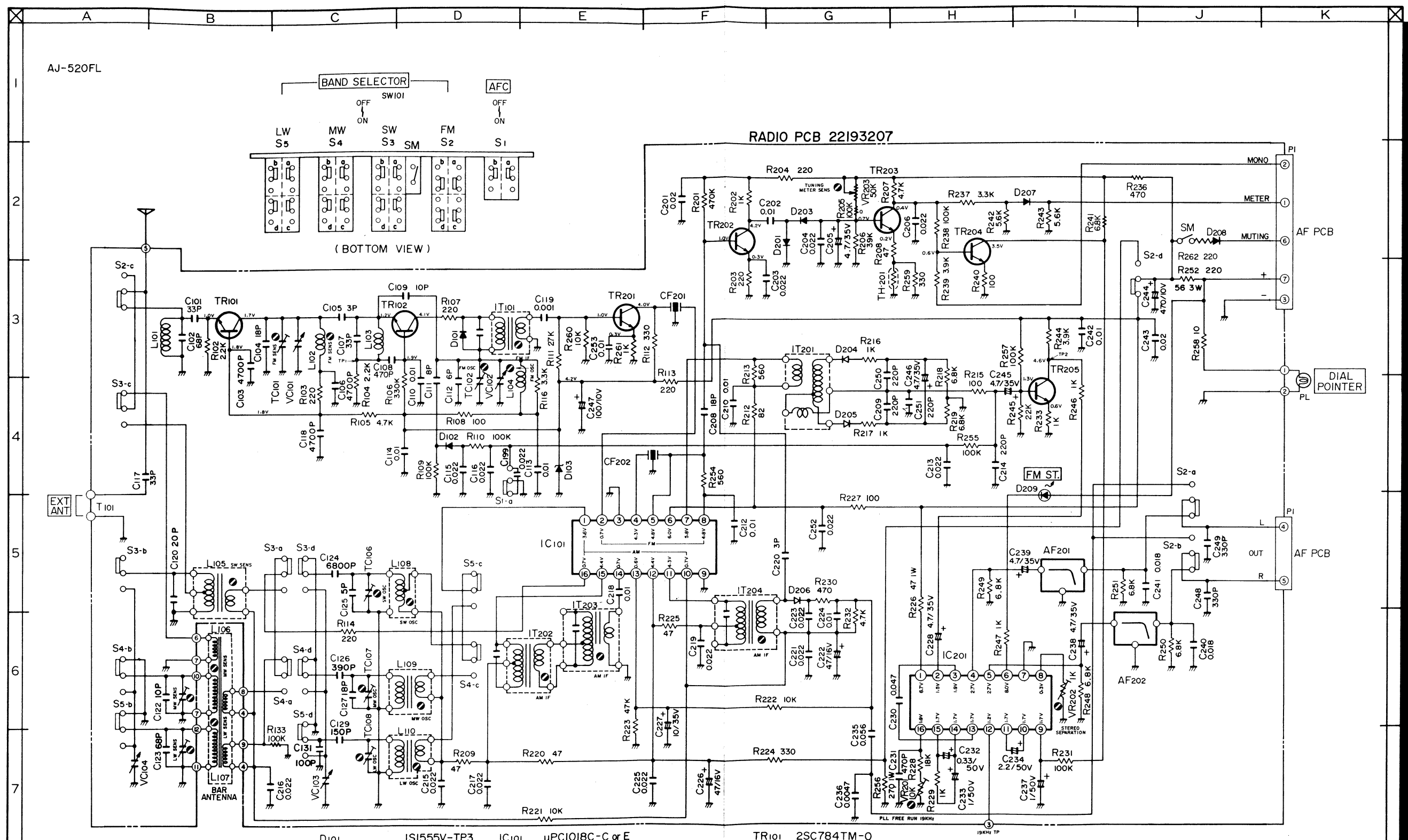


- | | | | | | |
|----------------|-------------|-------|-----------------|-------|------------|
| D101 | IS1555V-TP3 | IC101 | μPC1018C-C or E | TR101 | 2SC784TM-0 |
| D102 | IS2688 | IC201 | μPC1197C | TR102 | 2SC785TM-0 |
| D103 | WZ040 | | | TR201 | 2SC380TM-R |
| D201, 203 | IS1555V-TP3 | | | TR202 | 2SC1815-Y |
| D204, 205, 206 | MPX-B-TPS | | | TR203 | 2SC1815-GR |
| D207, 208 | IS1555V-TP3 | | | TR204 | 2SC1815-GR |
| D209 | GL-9PR2 | | | TR205 | 2SC2240-GR |

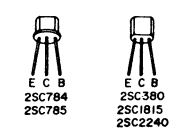
NOTE
UNLESS OTHERWISE SPECIFIED
ALL RESISTORS IN OHMS 1/4W
ALL CAPACITORS IN μF

AJ-520FS RADIO
SCHEMATIC DIAGRAM
NO.8-3 1602228A_{2c}

AJ-520FL



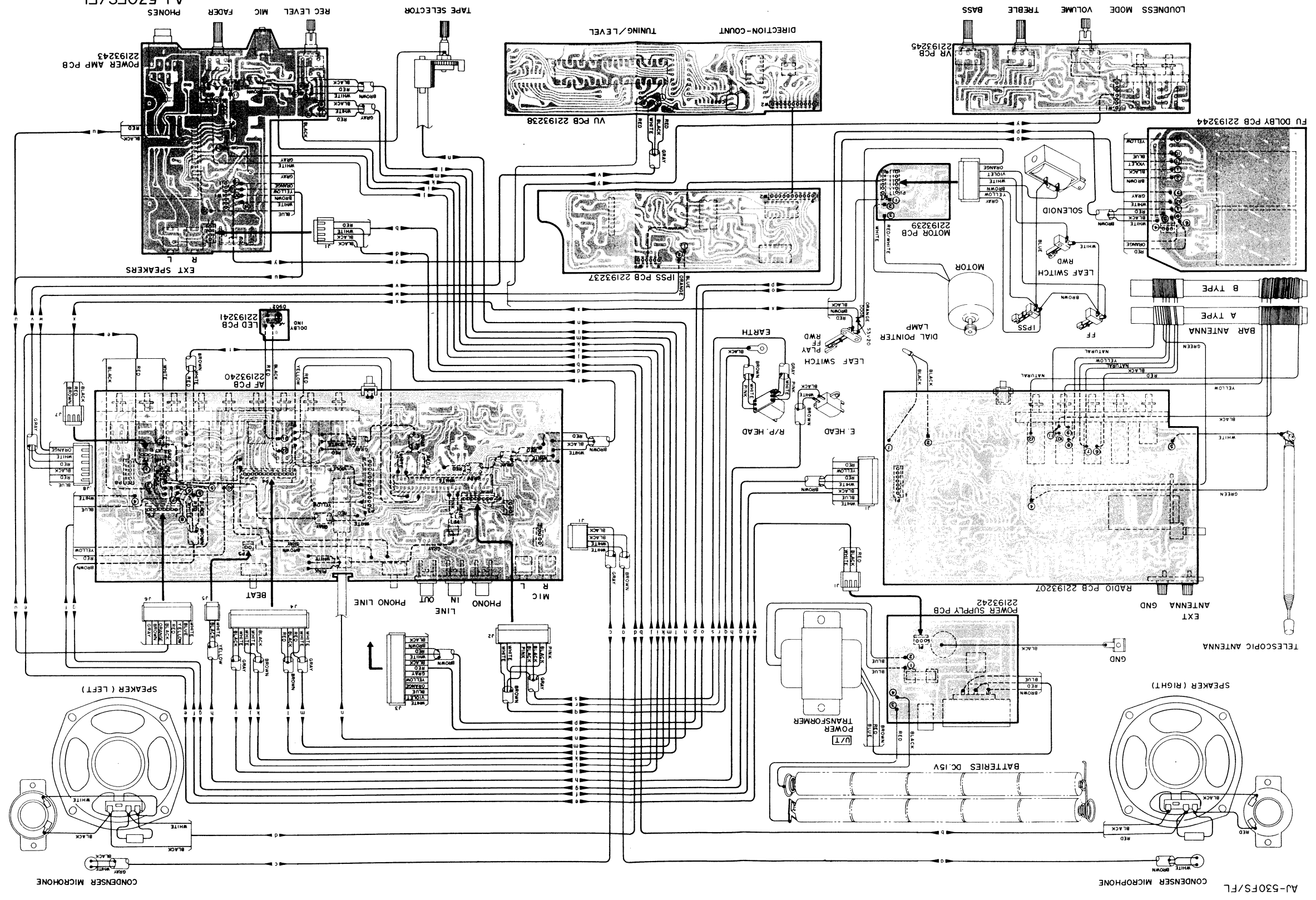
- | | | | | | |
|----------------|-------------|-------|-----------------|-------|------------|
| D101 | IS1555V-TP3 | IC101 | μPC1018C-C or E | TR101 | 2SC784TM-0 |
| D102 | IS2688 | IC201 | μPC1197C | TR102 | 2SC785TM-0 |
| D103 | WZ040 | | | TR201 | 2SC380TM-R |
| D201, 203 | IS1555V-TP3 | | | TR202 | 2SC1815-Y |
| D204, 205, 206 | MPX-B-TPS | | | TR203 | 2SC1815-GR |
| D207, 208 | IS1555V-TP3 | | | TR204 | 2SC1815-GR |
| D209 | GL-9PR2 | | | TR205 | 2SC2240-GR |



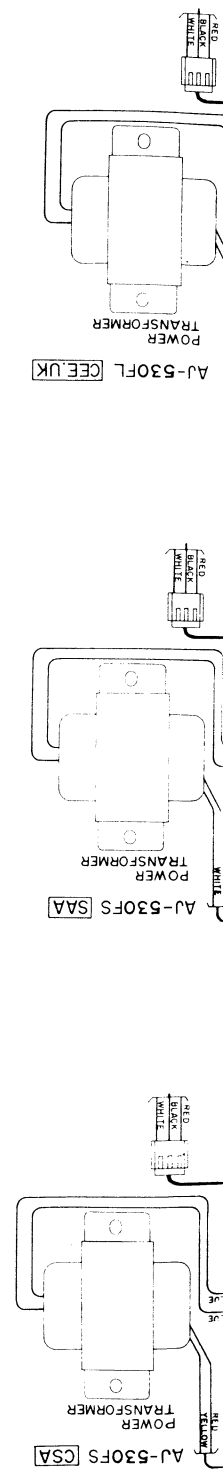
NOTE
UNLESS OTHERWISE SPECIFIED
ALL RESISTORS IN OHMS 1/4W
ALL CAPACITORS IN μF

AJ-520FL RADIO
SCHEMATIC DIAGRAM
NO. 8-4 1602229A

AI-530FS/FL
CONNECTION DIAGRAM
NO. 8-5 1602230A



8
7
6
5
4
3
2
1
A
B
C
D
E
F
G
H
I
J
K

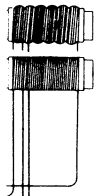


C

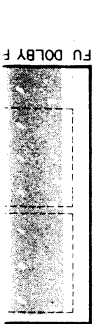
AJ-530



TELESCOPE

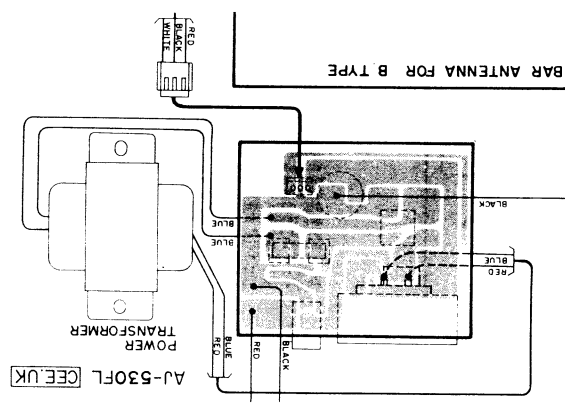
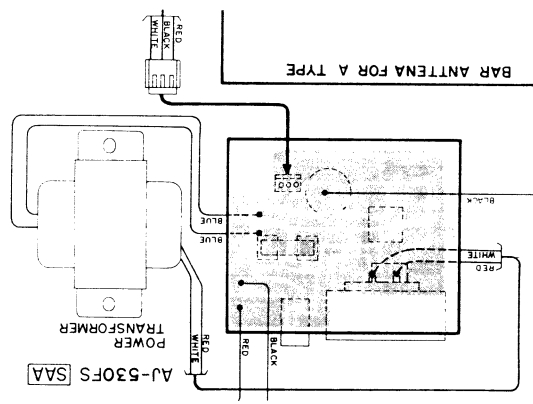
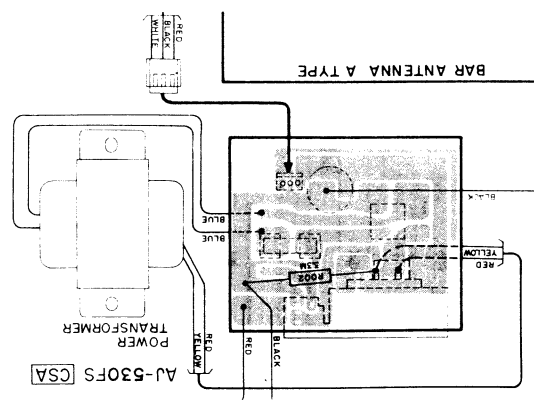


FU DOLBY F



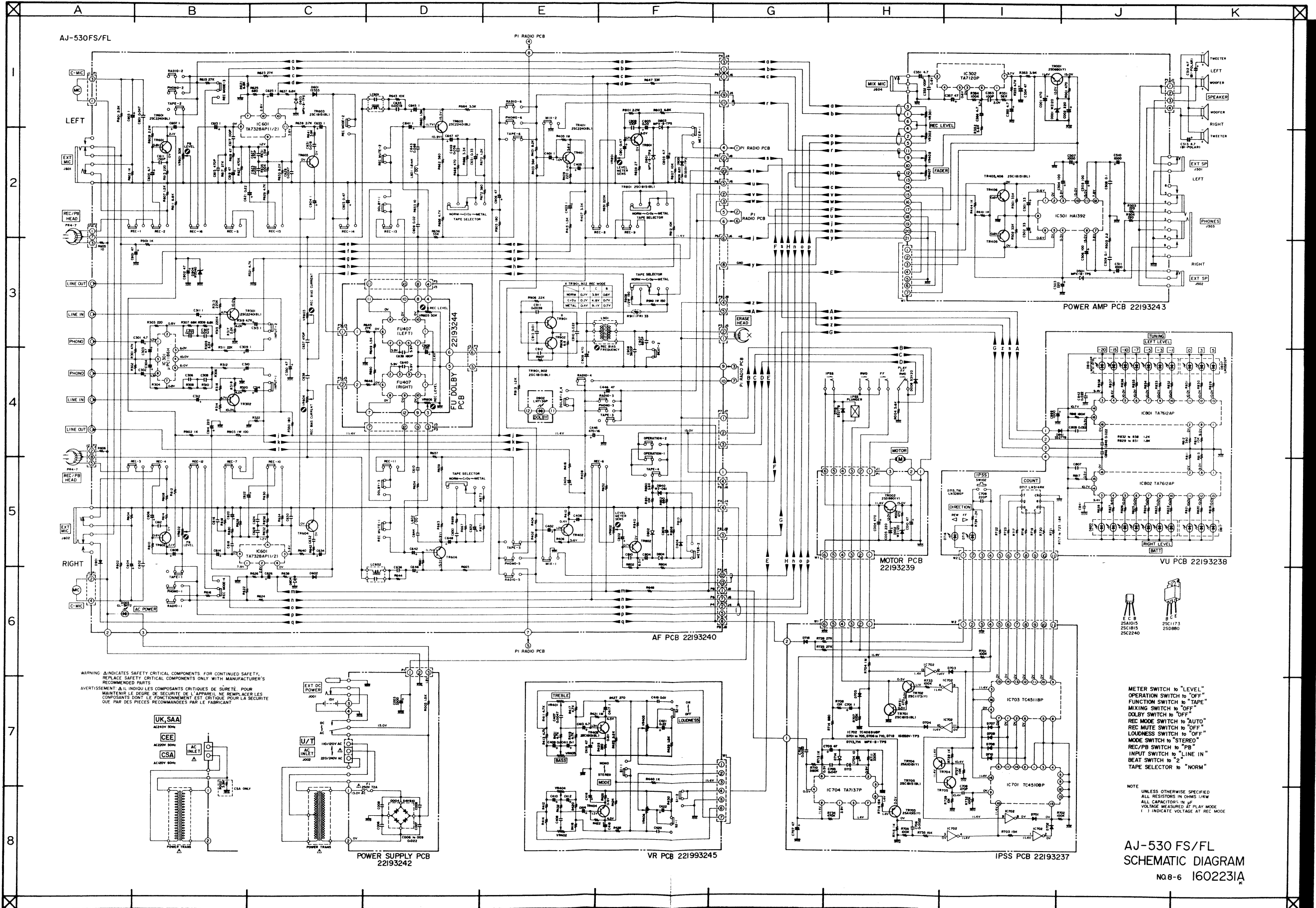
A B C

1 2 3 4 5 6 7 8

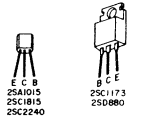
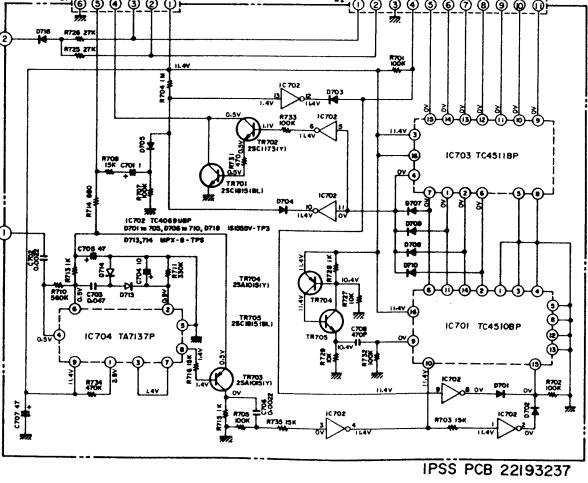
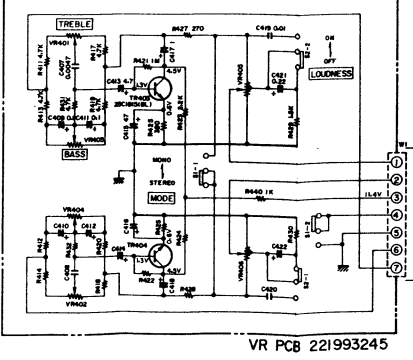
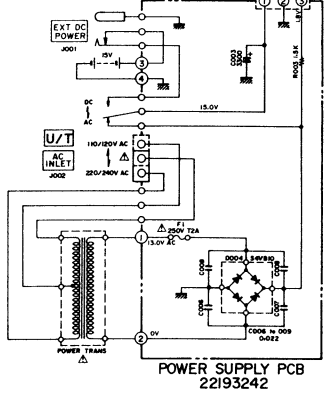
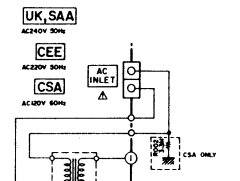


A B C

1 2 3 4 5 6 7 8



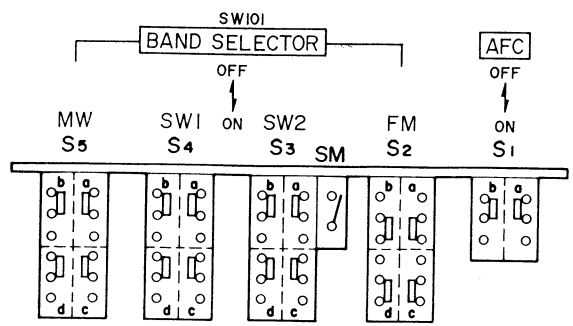
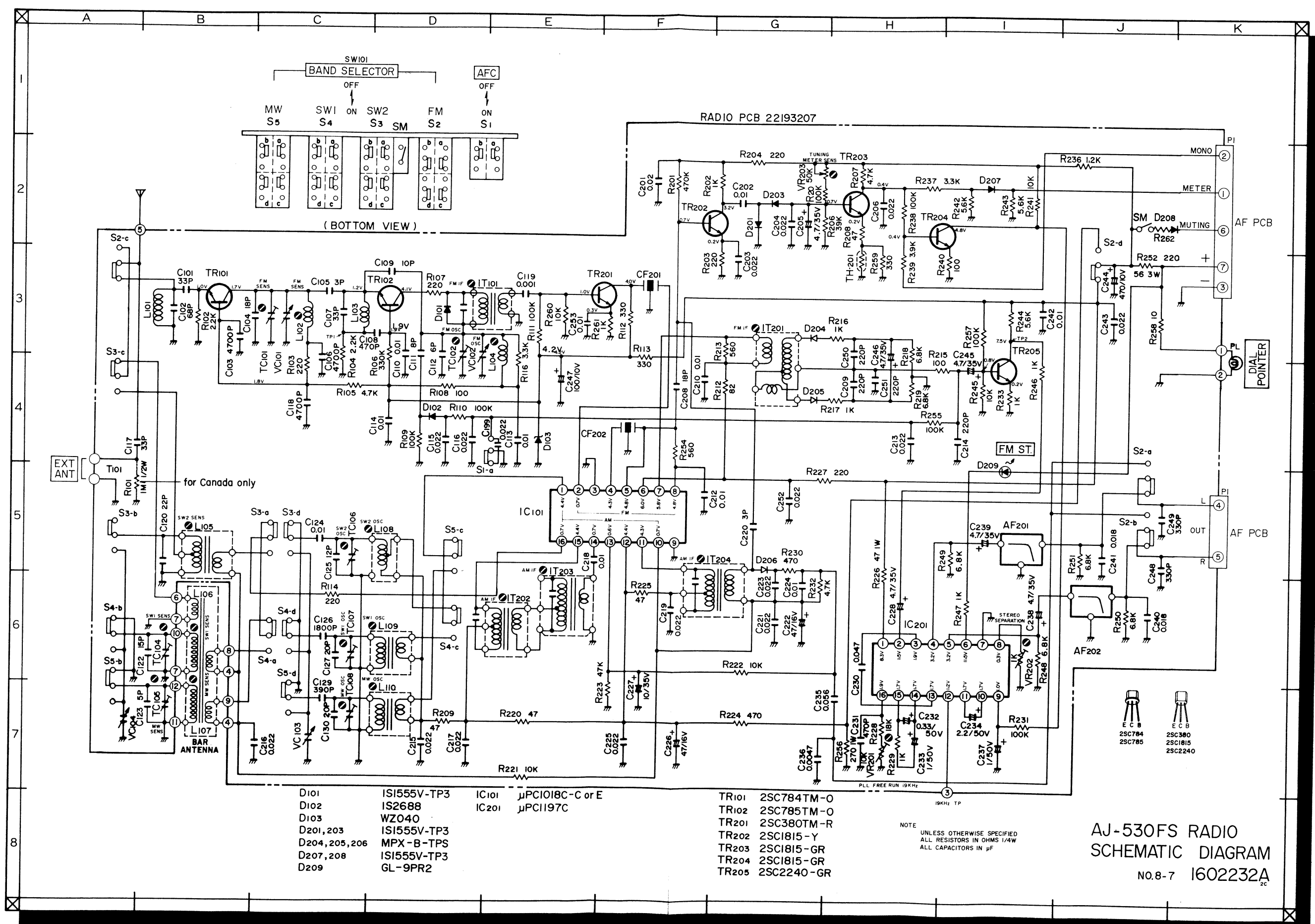
WARNING: Δ INDICATES SAFETY CRITICAL COMPONENTS FOR CONTINUED SAFETY. REPLACE SAFETY CRITICAL COMPONENTS ONLY WITH MANUFACTURER'S RECOMMENDED PARTS.
 AVERTISSEMENT: Δ IL INDIQUE LES COMPOSANTS CRITIQUES DE SÛRETÉ. POUR MAINTENIR LE DEGRÉ DE SÛRETÉ DE L'APPAREIL, NE REMPLACEZ LES COMPOSANTS DONT LE FONCTIONNEMENT EST CRITIQUE POUR LA SÛRETÉ QUE PAR DES PIÈCES RECOMMANDÉES PAR LE FABRICANT.



METER SWITCH to "LEVEL"
 OPERATION SWITCH to "OFF"
 FUNCTION SWITCH to "TAPSE"
 MIXING SWITCH to "OFF"
 DOLBY SWITCH to "OFF"
 REC MODE SWITCH to "AUTO"
 REC MUTE SWITCH to "OFF"
 LOUDNESS SWITCH to "OFF"
 MODE SWITCH to "STEREO"
 REC/PB SWITCH to "PB"
 INPUT SWITCH to "LINE IN"
 BEAT SWITCH to "2"
 TAPE SELECTOR to "NORM"

NOTE
 UNLESS OTHERWISE SPECIFIED
 ALL RESISTORS IN OHMS/1W
 ALL CAPACITORS IN μF
 VOLTAGE MEASURED AT PLAY MODE
 Δ INDICATE VOLTAGE AT REC MODE

AJ-530 FS/FL
 SCHEMATIC DIAGRAM
 NO.8-6 1602231A



(BOTTOM VIEW)

RADIO PCB 22193207

MONO
METER
AF PCB

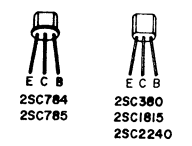
DIAL
POINTER

OUT
AF PCB

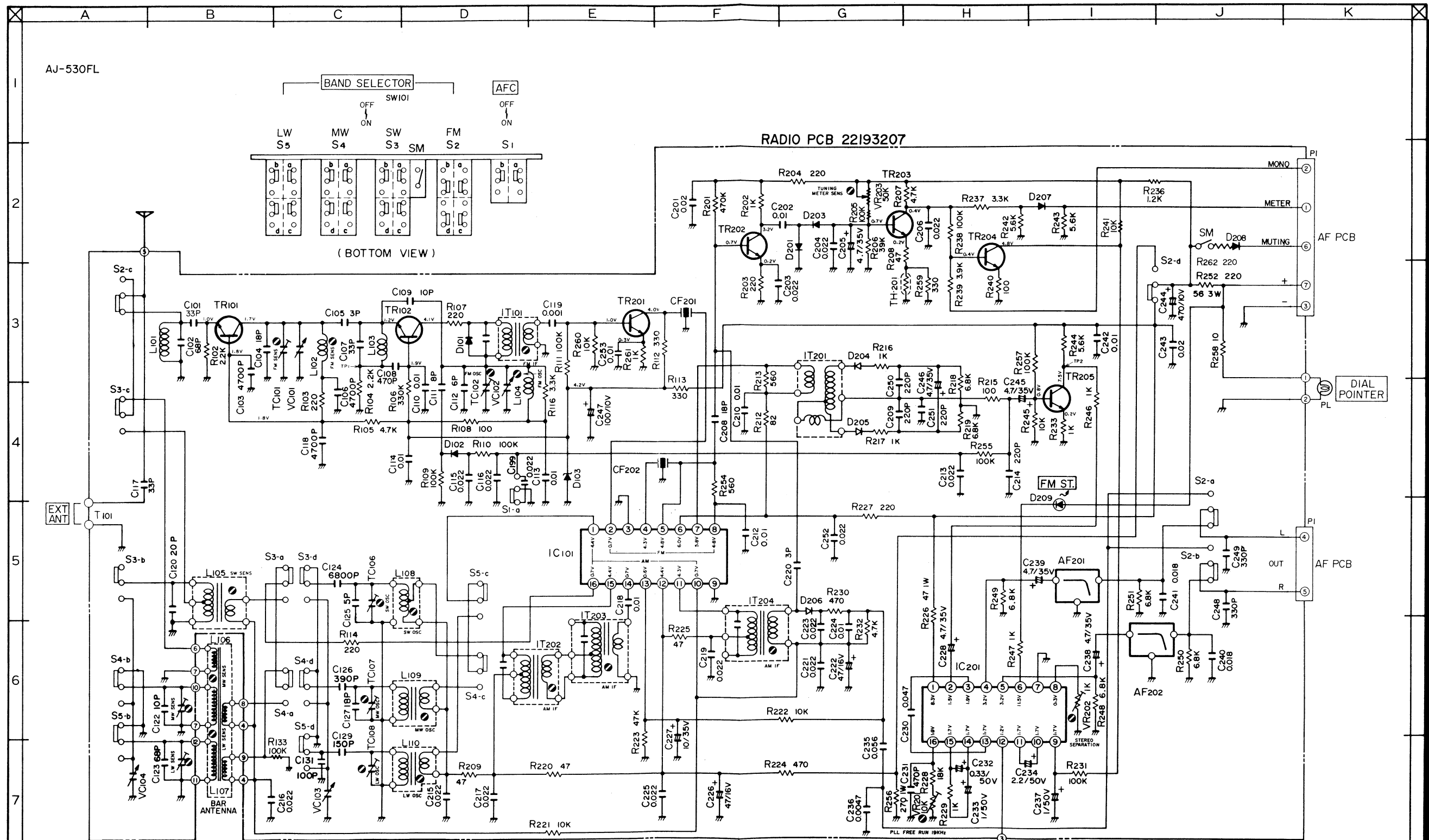
- | | | | | | |
|----------------|-------------|-------|-----------------|-------|------------|
| D101 | IS1555V-TP3 | IC101 | μPC1018C-C or E | TR101 | 2SC784TM-O |
| D102 | IS2688 | IC201 | μPC1197C | TR102 | 2SC785TM-O |
| D103 | WZ040 | | | TR201 | 2SC380TM-R |
| D204, 205, 206 | IS1555V-TP3 | | | TR202 | 2SC1815-Y |
| D207, 208 | MPX-B-TPS | | | TR203 | 2SC1815-GR |
| D209 | IS1555V-TP3 | | | TR204 | 2SC1815-GR |
| | GL-9PR2 | | | TR205 | 2SC2240-GR |

NOTE
UNLESS OTHERWISE SPECIFIED
ALL RESISTORS IN OHMS 1/4W
ALL CAPACITORS IN μF

AJ-530FS RADIO
SCHEMATIC DIAGRAM
NO.8-7 1602232A

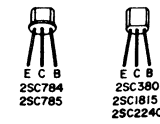


AJ-530FL



- | | | | |
|----------------|-------------|-------|-----------------|
| D101 | IS1555V-TP3 | IC101 | μPCI018C-C or E |
| D102 | IS2688 | IC201 | μPCI197C |
| D103 | WZ040 | | |
| D201, 203 | IS1555V-TP3 | | |
| D204, 205, 206 | MPX-B-TPS | | |
| D207, 208 | IS1555V-TP3 | | |
| D209 | GL-9PR2 | | |

- | | |
|-------|------------|
| TR101 | 2SC784TM-0 |
| TR102 | 2SC785TM-0 |
| TR201 | 2SC380TM-R |
| TR202 | 2SC1815-Y |
| TR203 | 2SC1815-GR |
| TR204 | 2SC1815-GR |
| TR205 | 2SC2240-GR |



NOTE
UNLESS OTHERWISE SPECIFIED
ALL RESISTORS IN OHMS 1/4W
ALL CAPACITORS IN μF

AJ-530FL RADIO
SCHEMATIC DIAGRAM
NO. 8-8 1602233A