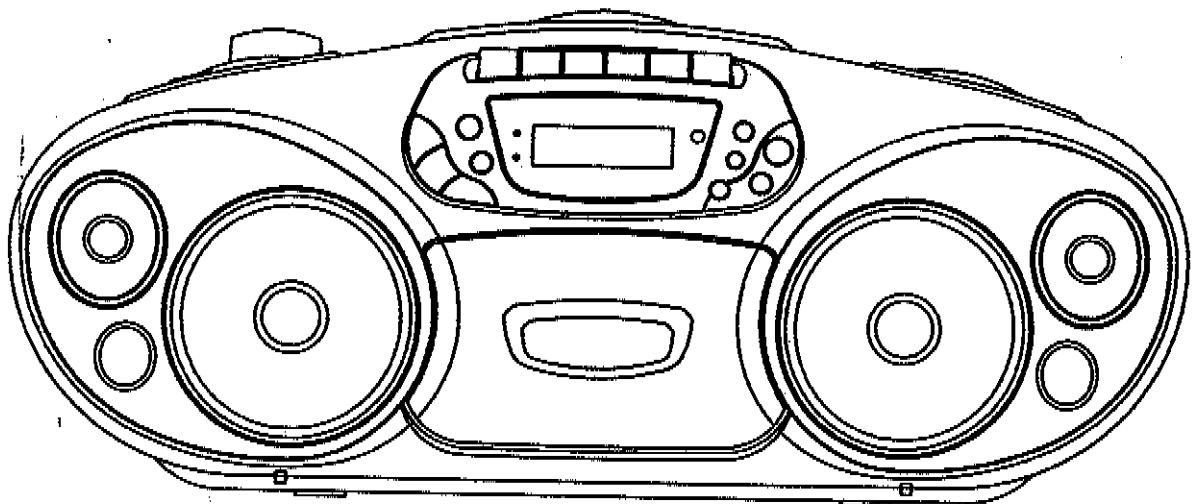


# AKAI SERVICE MANUAL

MODEL  
AJ-C2500

**CAUTION:** Before servicing the chassis, read the "Important Service safety Information" section on page 2 of this manual.

## PORTABLE MW/FM/LW RADIO WITH CASSETTE RECORDER



### SPECIFICATIONS

AM/FM TUNER SECTION	AM: FERRITE BAR
ANTENNA SYSTEM	FM: TELESCOPIC
TUNING RANGE	AM: 515~1650KHz FM: 87.35~108.25MHz
INTERMEDIATE FREQUENCY	AM: 465KHz +/-1KHz FM: 10.7MHz +0.1MHz
AUDIO SECTION	
SPEAKER IMPEDANCE	8 ohm
GENERAL	14W
POWER INPUT	AC 230V,50Hz DC 12V
DIMENSIONS	497(W) X 234(H) X 287 (D)mm

### CONTENTS

IMPORTANT SERVICE SAFETY INFORMATION	2
DISASSEMBLY INSTRUCTIONS	3
ALIGNMENT PROCEDURES	4-5
ADJUSTMENT LOCATIONS	6
IC BLOCK DIAGRAM	7-12
BLOCK DIAGRAM	13
WIRING DIAGRAM	14
PRINTED CIRCUIT BOARDS	15-24
SCHEMATIC DIAGRAMS	25-29
EXPLODED VIEW	30
EXPLODED VIEW PARTS LIST	31
REPLACEMENT PARTS LIST	32-38

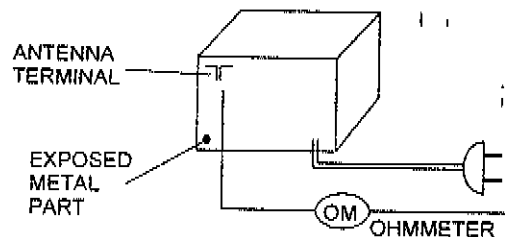
**SERVICE PUBLICATION**

# IMPORTANT SERVICE SAFETY INFORMATION

## 1. SAFETY PRECAUTIONS

Before returning a unit to the customer, always make a safety check of the entire unit, including, but not limited to the following items:

- a. Be sure that no built-in protective devices are defective and/or have been defeated during servicing.
  - (1) Protective shields are provided to protect both the technician and the customer. Correctly replace all missing protective shields including any removed for servicing convenience.
  - (2) When reinstalling the chassis and/or other assemblies in the cabinet, be sure to put back in place all protective devices, including, but not limited to, nonmetallic control knobs, insulating fishpapers, adjustment and compartment covers/shields and isolation resistor/capacitor networks. Do not operate this unit or permit it to be operated without all protective devices correctly installed and functioning.
- b. Be sure that there are no cabinet openings through which an adult or child might be able to insert their fingers and contact a hazardous voltage. Such openings include, but are not limited to, excessively wide cabinet ventilation slots, and an improperly fitted and/or incorrectly secured cabinet back cover.
- c. **Leakage Current Hot Check** - With the unit completely reassembled, plug the AC line cord directly into a 120V AC outlet. (Do not use an isolation transformer during this test.) Use a leakage current tester or a metering system that complies with American National Standards Institute (ANSI) C101.1 "Leakage current for Appliances" and Underwriters Laboratories (UL) 1410.(50.7). With the unit AC switch first in the ON position and then in the OFF position, measure from a known earth ground (metal water pipe, conduit, etc.), especially any exposed metal parts that offer an electrical return path to the chassis. Any current measured must not exceed 0.5 milliamp. Reverse the unit power cord plug in the outlet and repeat test. **ANY MEASUREMENTS NOT WITHIN THE LIMITS SPECIFIED HEREIN INDICATE A POTENTIAL SHOCK HAZARD THAT MUST BE ELIMINATED BEFORE RETURNING THE UNIT TO THE CUSTOMER.**



## 2. PRODUCT SAFETY NOTICE

Some electrical and mechanical parts have special safety related characteristics which are often not evident from visual inspection, and the protection they give necessarily be obtained by replacing the parts with components rated for higher voltage, wattage, etc. Parts that have special safety characteristics are identified by a  $\Delta$  symbol in the schematic and parts list. Use of a substitute replacement that does not have the same safety characteristics as the recommended replacement part might create shock, fire, and/or other hazardous conditions. Product safety is under review continuously and new instructions are issued whenever appropriate.

## 3. SERVICING PRECAUTIONS

**CAUTION** Before servicing the unit covered by this service manual and its supplements read and follow the SAFETY PRECAUTIONS on this page. **NOTE** If unforeseen circumstances create a conflict between the following servicing precautions and any of the safety precautions, always follow the safety precautions. Remember: Safety First.

General Servicing Precautions.

- a. Always unplug the unit's AC power cord from the AC power source before:
  - (1) removing or reinstalling any component, circuit board, module, or any other unit assembly.
  - (2) disconnecting or reconnecting any unit electrical plug or other electrical connection.
  - (3) connecting a test substitute in parallel with an electrolytic capacitor in the unit.

Caution: A wrong part substitution or incorrect polarity installation of electrolytic capacitors may result in an explosion hazard.
- b. Do not defeat any plug/socket B+ voltage interlocks with which the unit covered by this service manual might be equipped.
- c. Do not apply AC power to this unit and/or any of its electrical assemblies unless all solid-state device heat sinks are correctly installed.
- d. always connect a test unit instrument's ground lead to the unit's chassis ground before connecting the test instrument's positive lead. Always remove the test instrument's ground lead last.

## 4. LASER PRECAUTIONS

**WARNING!!**

1. When servicing, (in case it is necessary to confirm Laser Beam Emission) be sure not to place your eyes any closer than 1 ft or 30cm from the surface of the Objective Lens on the Optical Pickup Block.

**HANDLING THE LASER PICKUP**

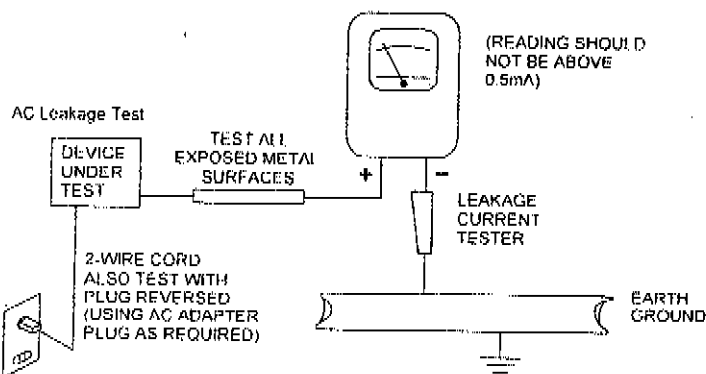
2. Laser diodes are extremely susceptible to damage from static electricity. Even if a static discharge does not ruin the diode, it can shorten its life or cause it to work improperly. When replacing the pickup, use a conductive mat on the floor and desk and wear a wrist band connected to ground through a 1M ohm resistor to protect the laser diode from static damage. If the lens should get dusty, blow off the dust carefully from the object.
3. There are no adjustable parts in the pickup assembly. If it is defective, replace the whole pickup assembly.

**CAUTION:**

USE OF CONTROLS, ADJUSTMENTS OR PERFORMANCE OF PROCEDURES HEREIN MAY RESULT IN HAZARDOUS RADIATION EXPOSURE.

**DANGER:**

IF INTERLOCK FAILS OR IS DEFEATED THE LASER LIGHT IS ABLE TO FUNCTION. THE LASER IS INVISIBLE. AVOID DIRECT EXPOSURE TO BEAM



## d. Insulation Resistance Test Cold Check

Unplug the power supply cord and connect a jumper wire between the two prongs of the plug.

Turn on the power switch of the unit.

Measure the resistance with an ohmmeter between the jumpered AC plug and each exposed metallic cabinet part on the unit, such as screwheads, antenna, control shafts, handle brackets, etc. When the exposed metallic part has a return path to the chassis, the reading should be between 1 and 5.2 megohms. When there is no return path to the chassis, the reading must be infinite. If it is not within the limits specified, there is the possibility of a shock hazard, and the unit must be repaired and rechecked before it is returned to the customer.

## DISASSEMBLY INSTRUCTIONS

- 1) ROTATE THE UNIT TO EXPOSE THE BACK SIDE.
- 2) REMOVE THE 9 SCREWS AS SHOWN IN FIG.1.

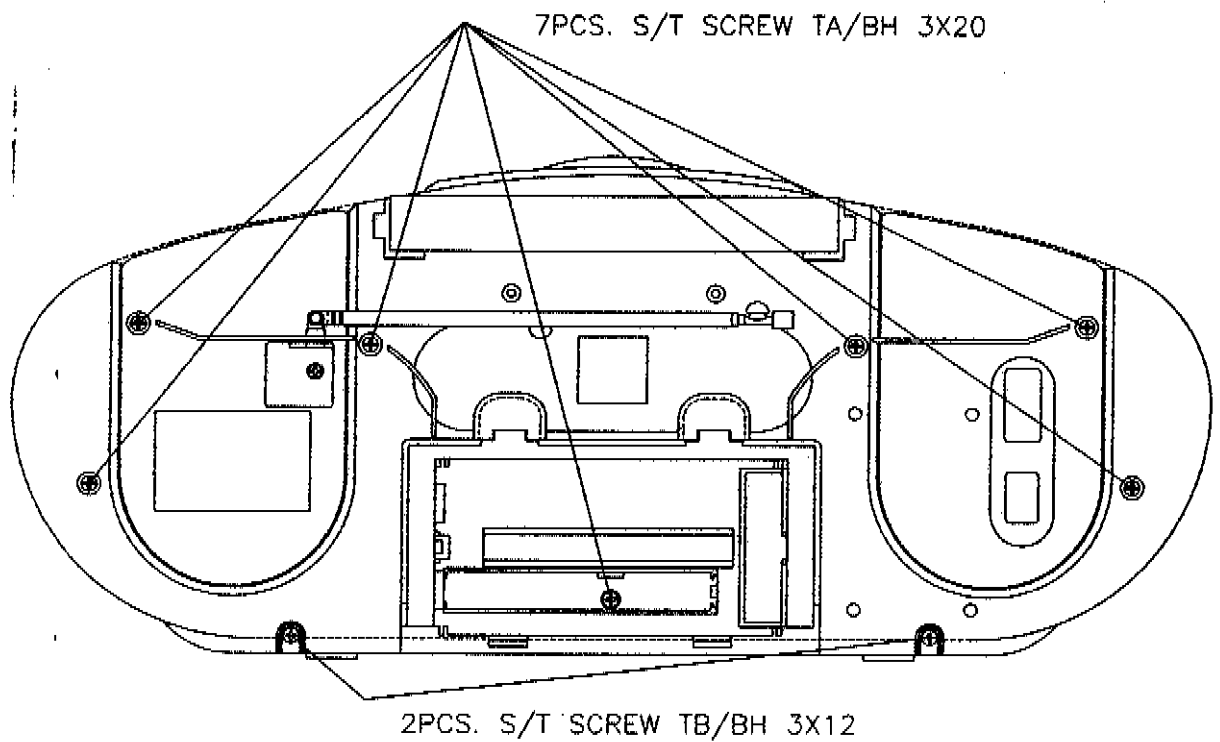


FIG.1

## ADJUSTMENT PROCEDURES

### 1. MW ALIGNMENT

Alignment	Equipment connection	Step	Gen freq.	Set Radio Dial to	(To Obtain Max Output) Adjust	
IF	Signal generator coupled by a single turn around the ferrite antenna Output level must be below (APPROX. 50mW OUTPUT)	1	450KHz	612KHz	T2	
		2	Repeat step to obtain Maximum Output			
		3	522KHz	522KHz	(MWO scillator coil) T3	
MW Band		4	1620KHz	1620KHz	(OSC-Trimmer) CT4L	
		5	Repeat steps 3 and 4 to obtain full frequency coverage			
MW Tracking		6	612KHz	612KHz	MW ANT coil	
		7	1404KHz	1404KHz	(ANT-Trimmer) CT3	
		8	Repeat steps 6 and 7 to obtain full frequency coverage			

\*Set the internal modulation of signal generator to 1 KHz modulation.

\*Use only nonmetallic alignment tools to ensure proper alignment.

### 2. LW ALIGNMENT

Alignment	Equipment connection	Step	Gen freq.	Set Radio Dial to	(To Obtain Max Output) Adjust	
IF	Signal generator coupled by a single turn around the ferrite antenna Output level must be below (APPROX. 50mW OUTPUT)	1	450KHz	164KHz	T2	
		2	Repeat step to obtain Maximum Output			
		3	146KHz	146KHz	(LW Oscillator coil) T4	
LW Band		4	281KHz	281KHz	(OSC-Trimmer) CT5L	
		5	Repeat steps 3 and 4 to obtain full frequency coverage			
LW Tracking		6	164KHz	164KHz	LW ANT coil	
		7	218KHz	218KHz	(ANT-Trimmer) CT6L	
		8	Repeat steps 6 and 7 to obtain full frequency coverage			

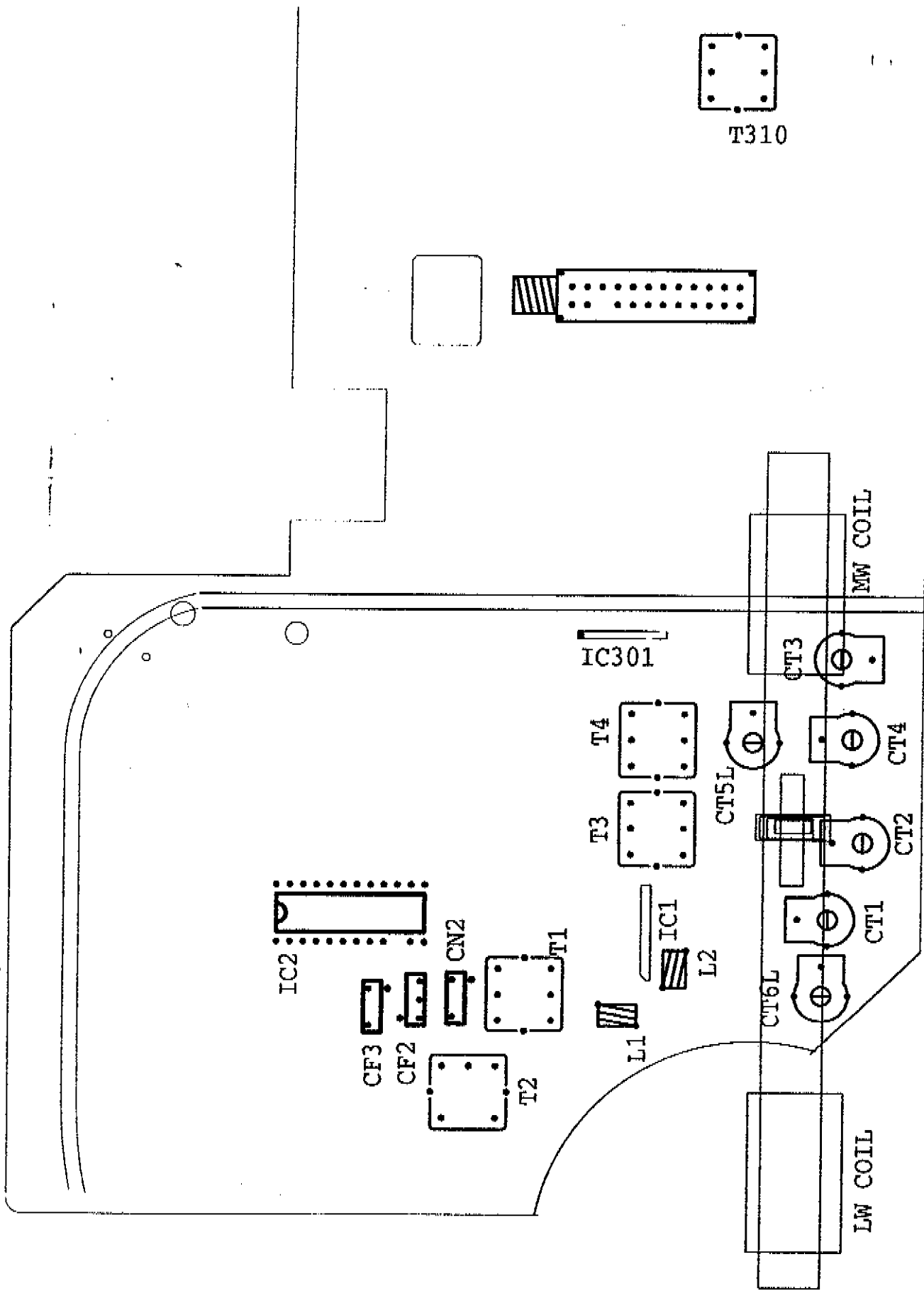
### 3. FM ALIGNMENT

Alignment	Equipment connection	Step	Gen freq.	Set Radio Dial to	(To Obtain Max Output) Adjust	
IF	Equipment connection Sweep gen via 0.02uF cap to pin 9 of IC1 Output from pin of IC1 FM Signal gen to cer. Cap C1. Oscilloscope to pin12 OF IC1	1	10.7KHz	90.1KHz	T1	
		2	Repeat step to obtain Maximum Output			
		3	87.5KHz	87.5KHz	(FM oscillator coil) L4	
FM Band		4	108KHz	108KHz	(OSC-Trimmer) CT2	
		5	Repeat steps 3 and 4 to obtain full frequency coverage			
FM Tracking		6	90.1KHz	90.1KHz	Adjust L2 (FM RF coil)	
		7	106.1KHz	106.1KHz	Adjust CT1 (ANT-Trimmer)	
		8	Repeat steps 6 and 7 to obtain full frequency coverage			

#### 4.TAPE ADJUSTMENT

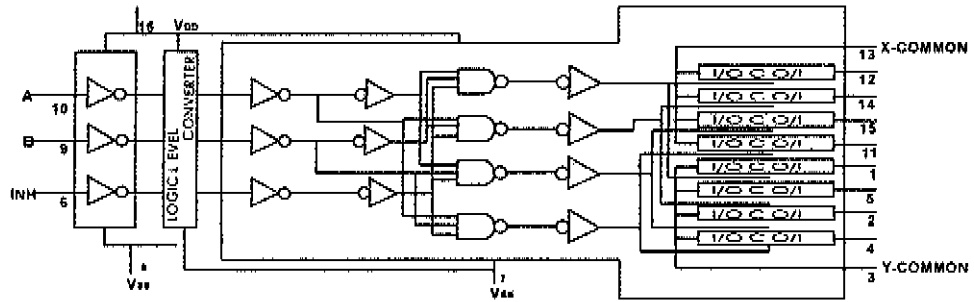
ITEM	CONDITION	Equipment Connection	ADJUST
Head Alignment	Play back test tape MIT-113CN 8KHz	Connect VTVM&OSC to speaker output	Adjust Head Azimuth screw for max. reading on VTVM &6.3KHz on OSC
Speed Adjustment	Play back test tape MIT-111 3KHz	Connect WOW &Flutter Meter to speaker output	Adjust Motor until a reading of 3KHz +/- 30KHz is obtained
Rec . Osc. Freq.Adjustment	Record mode	Connect Freq. Counter thru 5pF cap . to T301 secondary	Adjust T301 for 62KHz

# ADJUSTMENT LOCATIONS

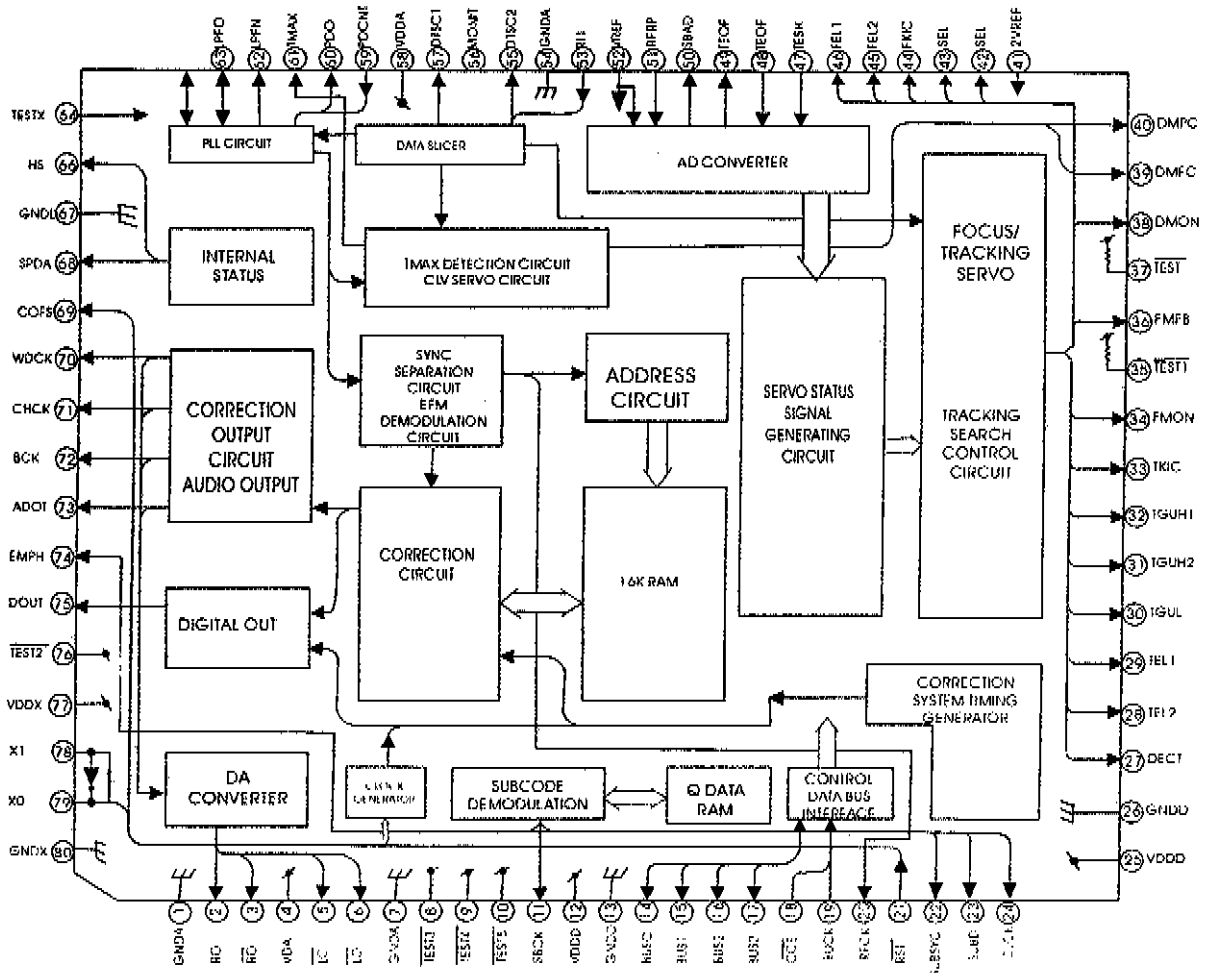


# IC BLOCK DIAGRAM

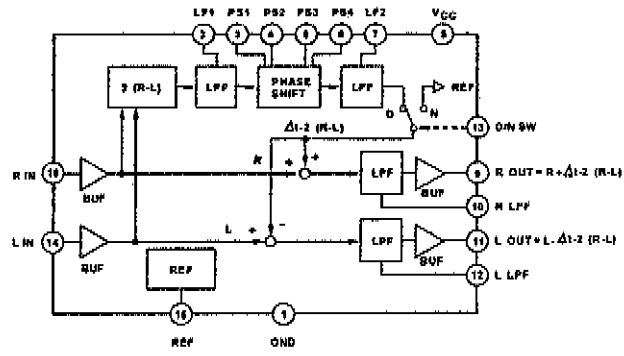
**TC4052B**



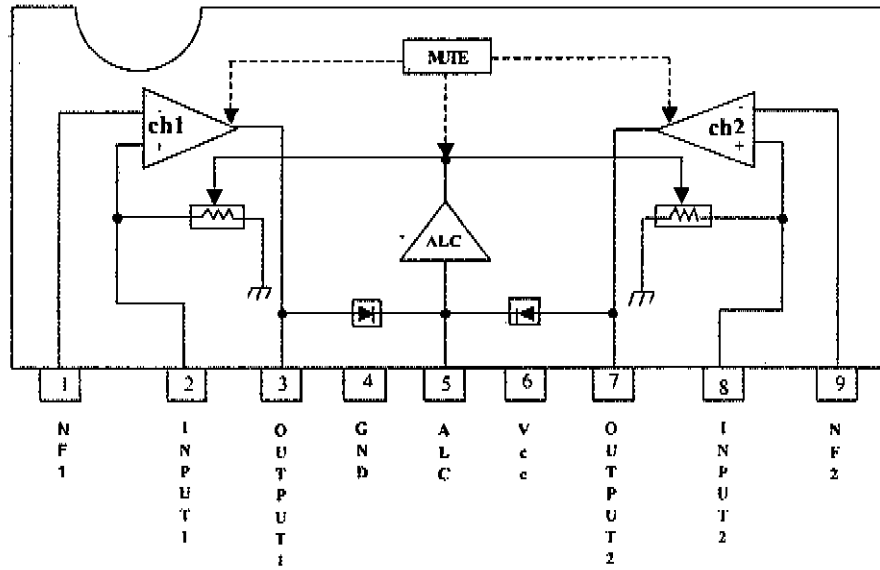
**TC9284BF**



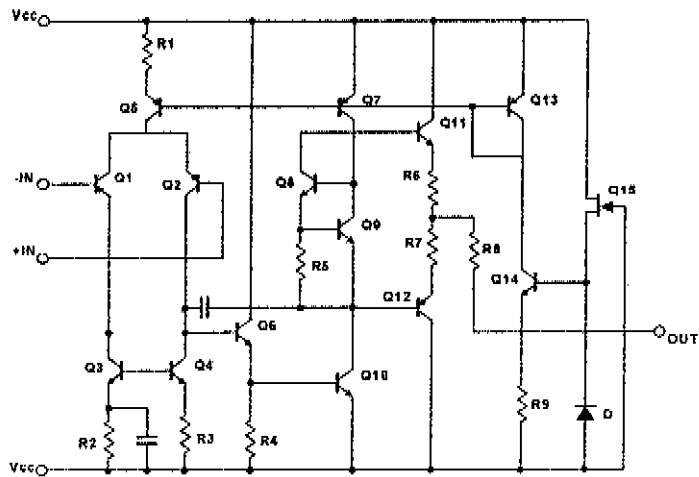
### TA8173AP



### BA3308

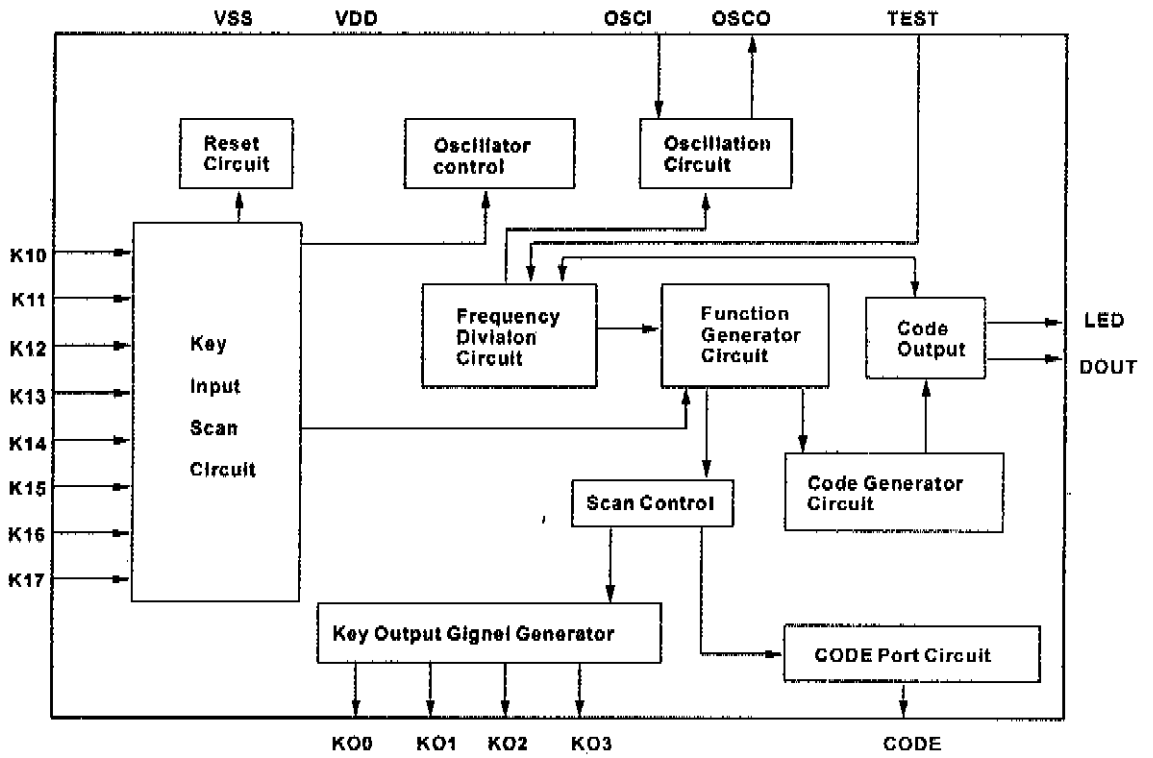


### BA4558N

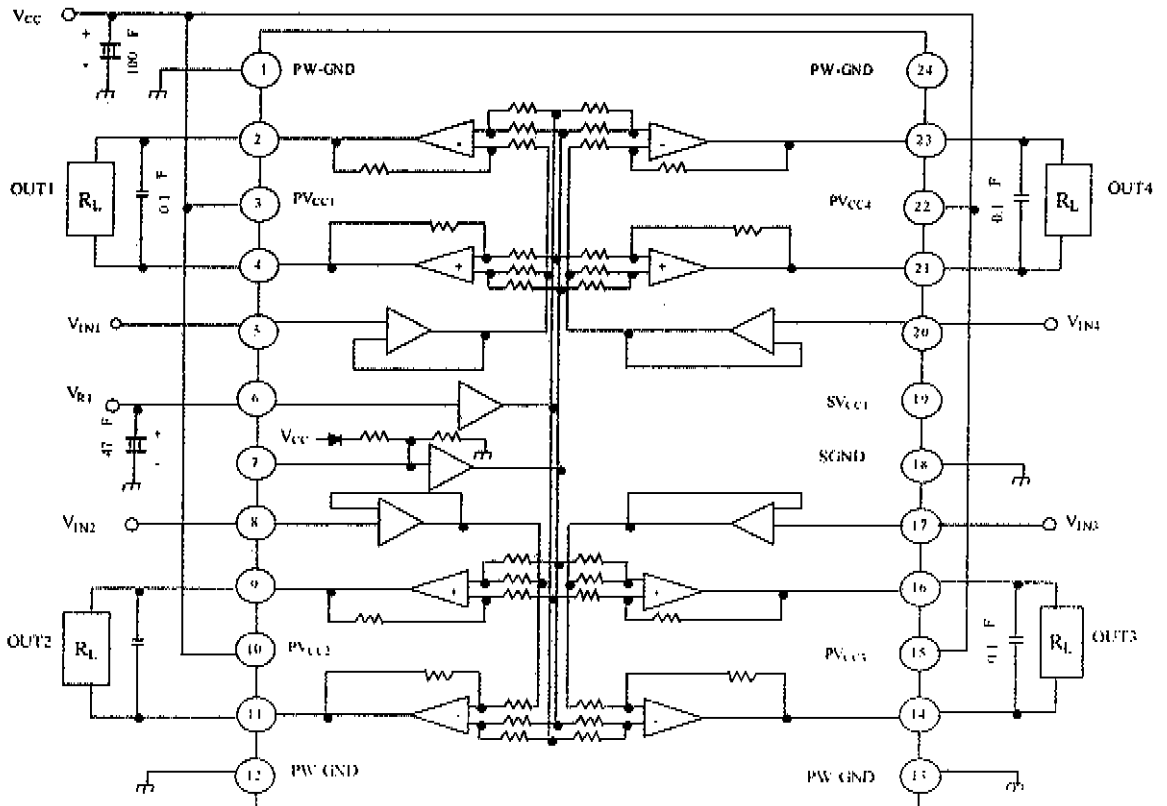


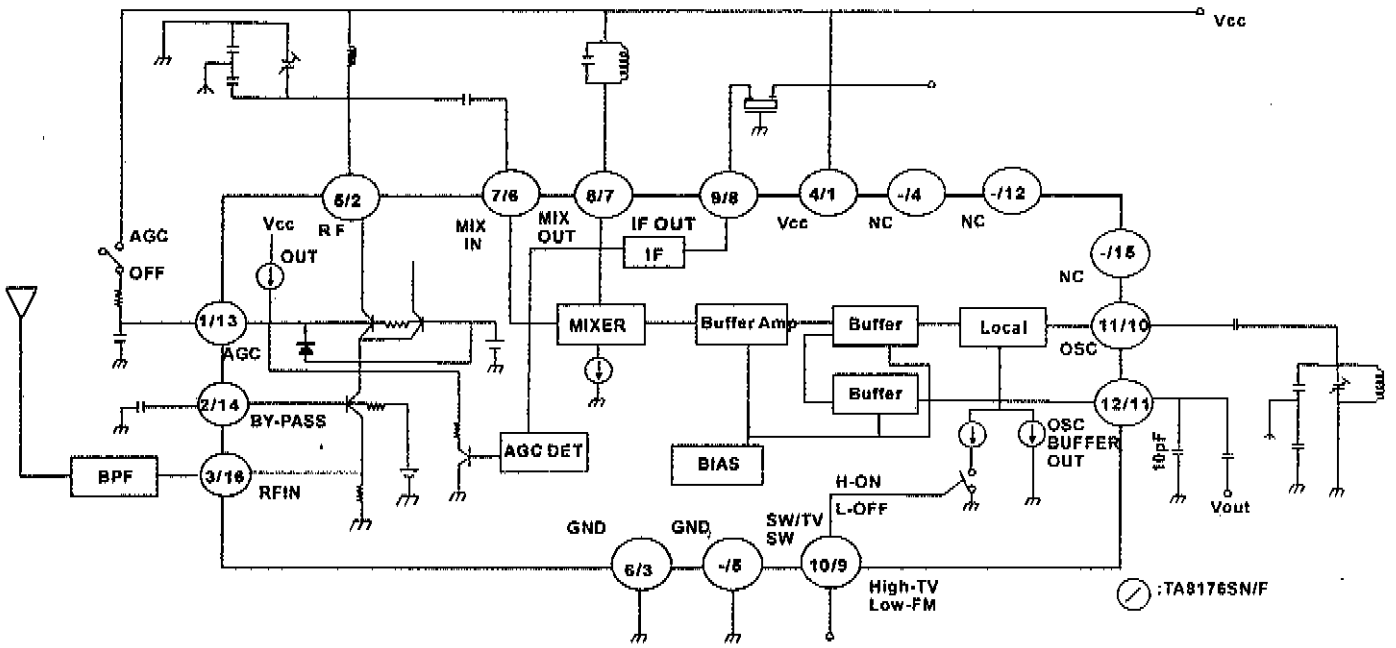


**TC9243**

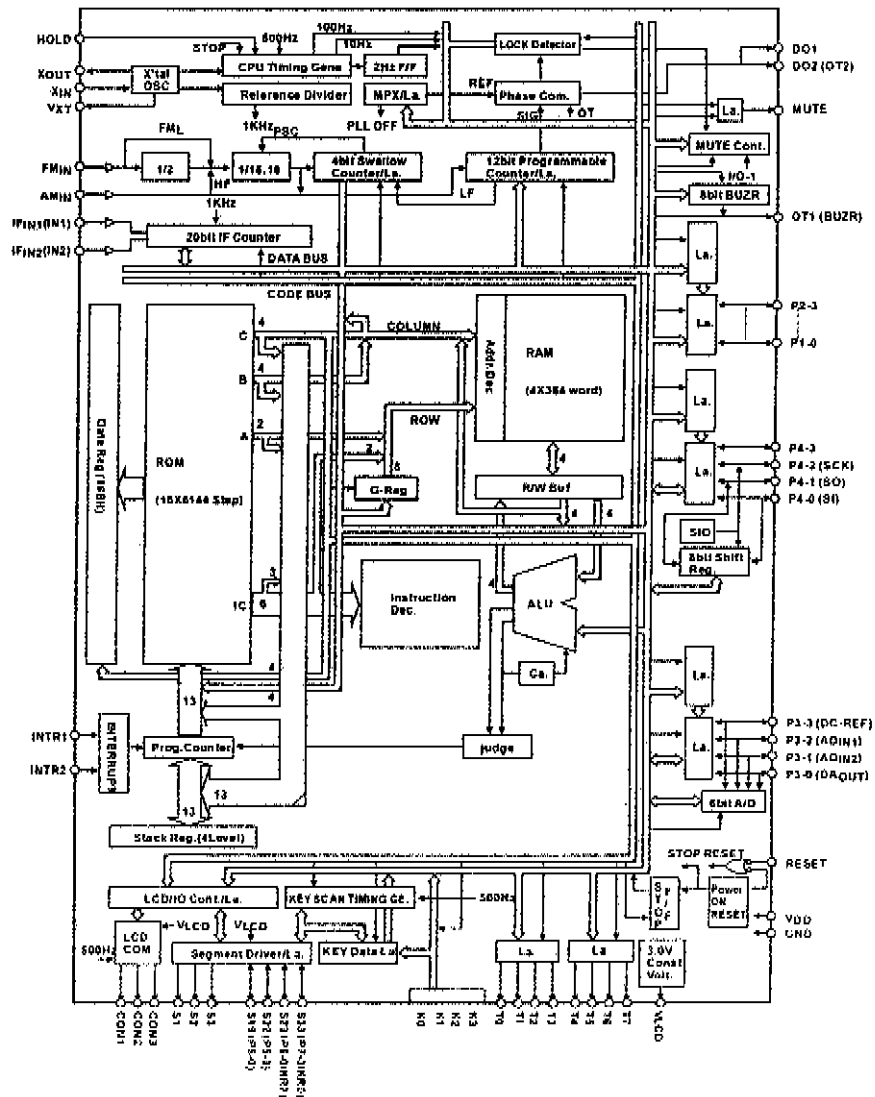


**TA2092N**

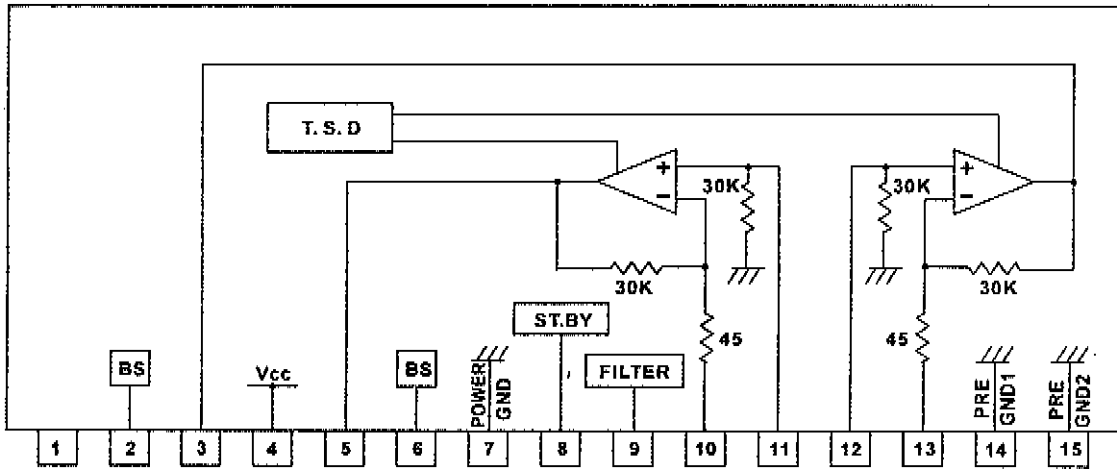




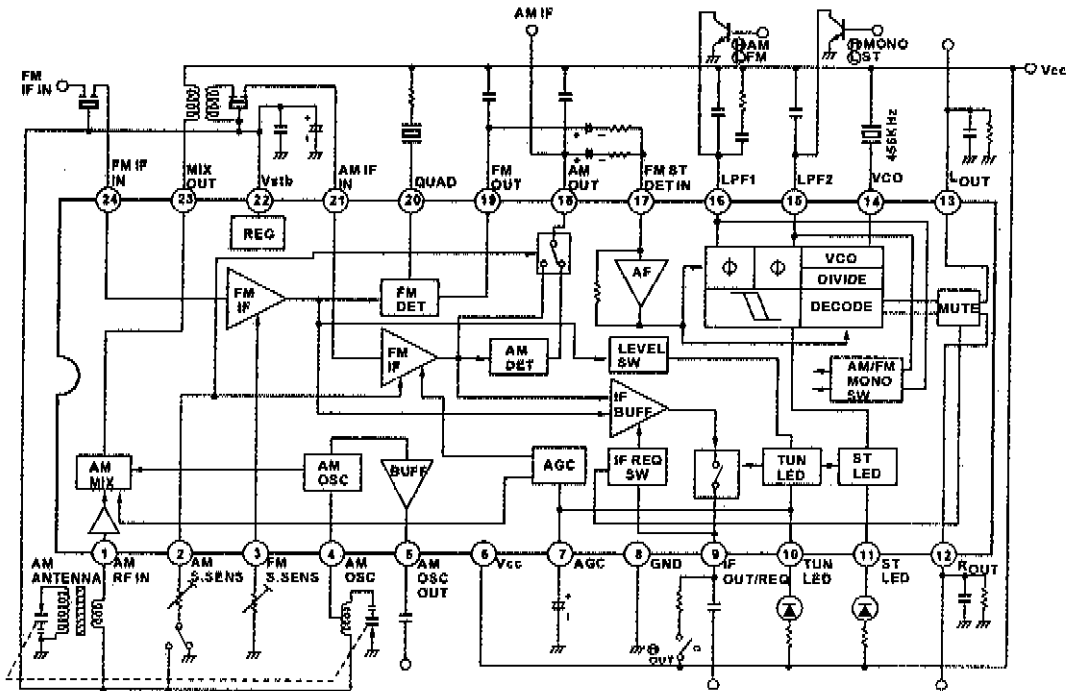
TC9314F-037



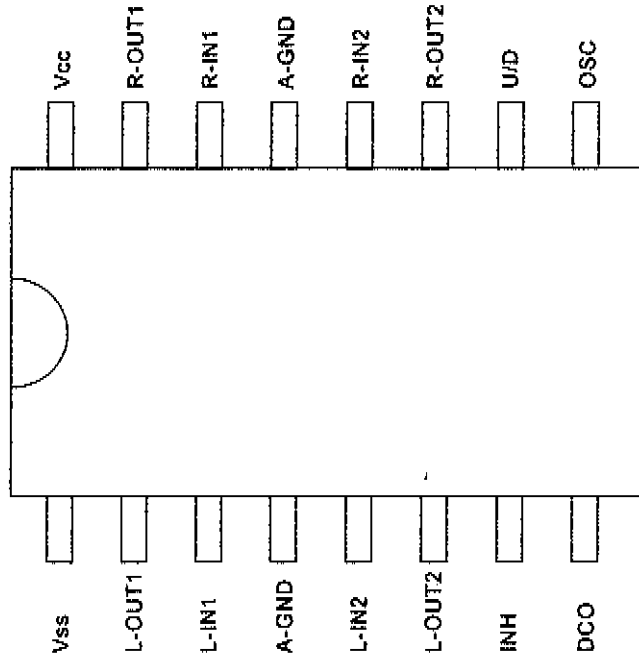
BA5417



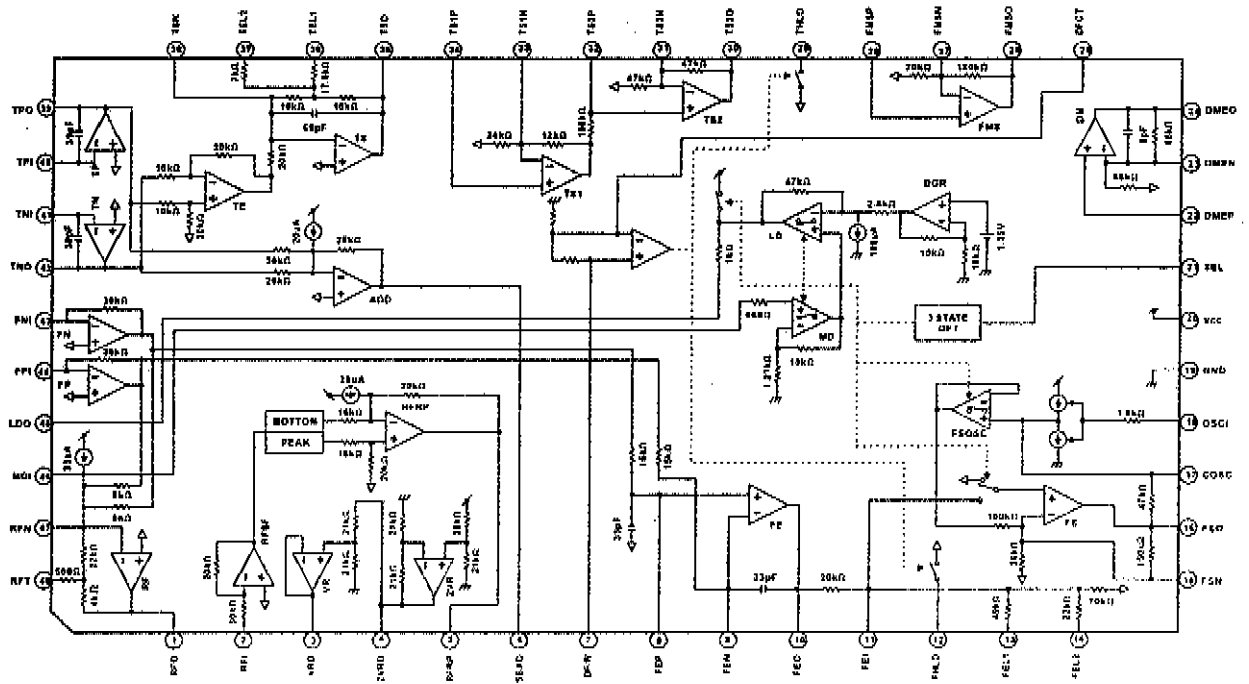
TA2057N



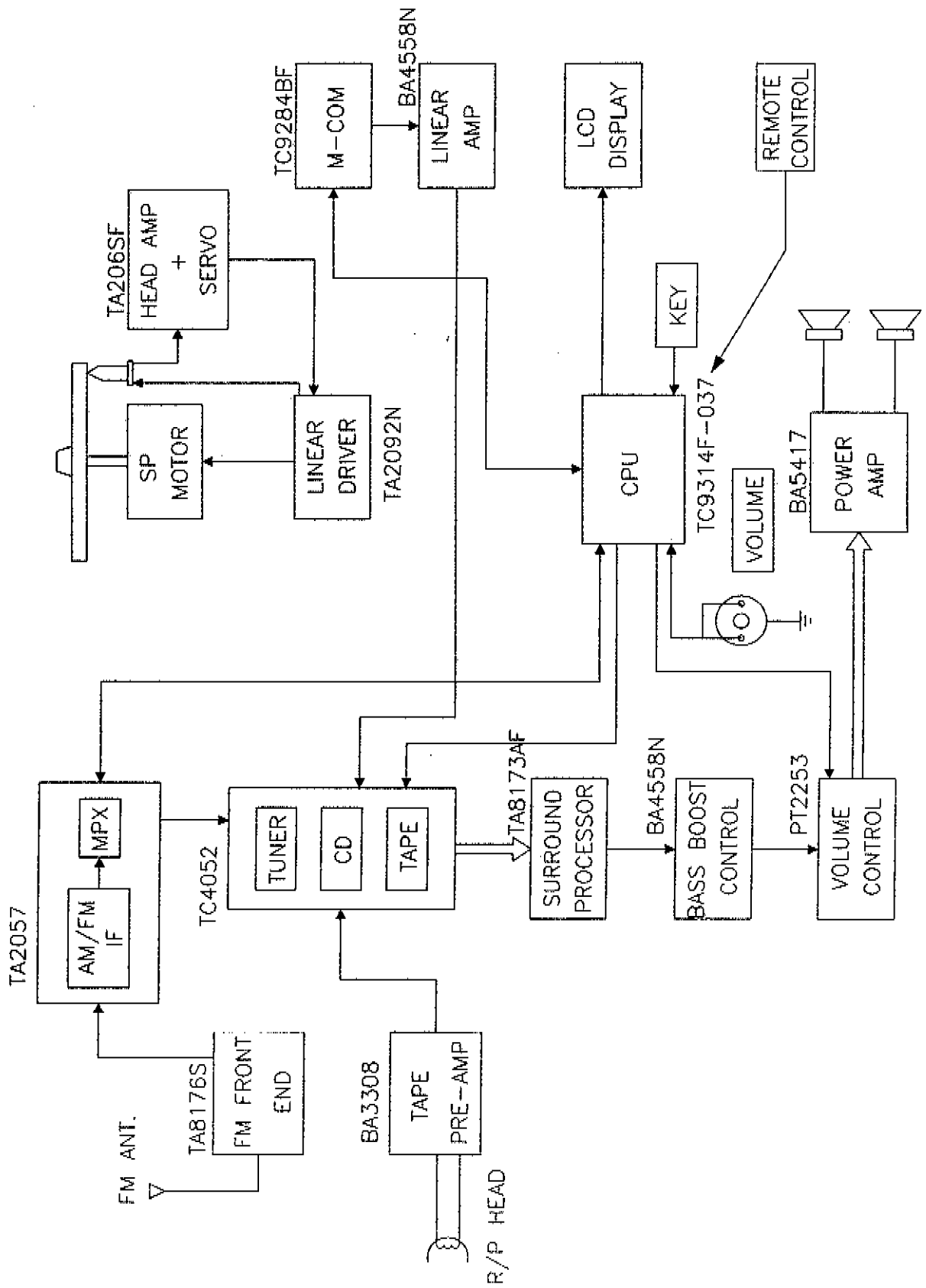
PT2253A



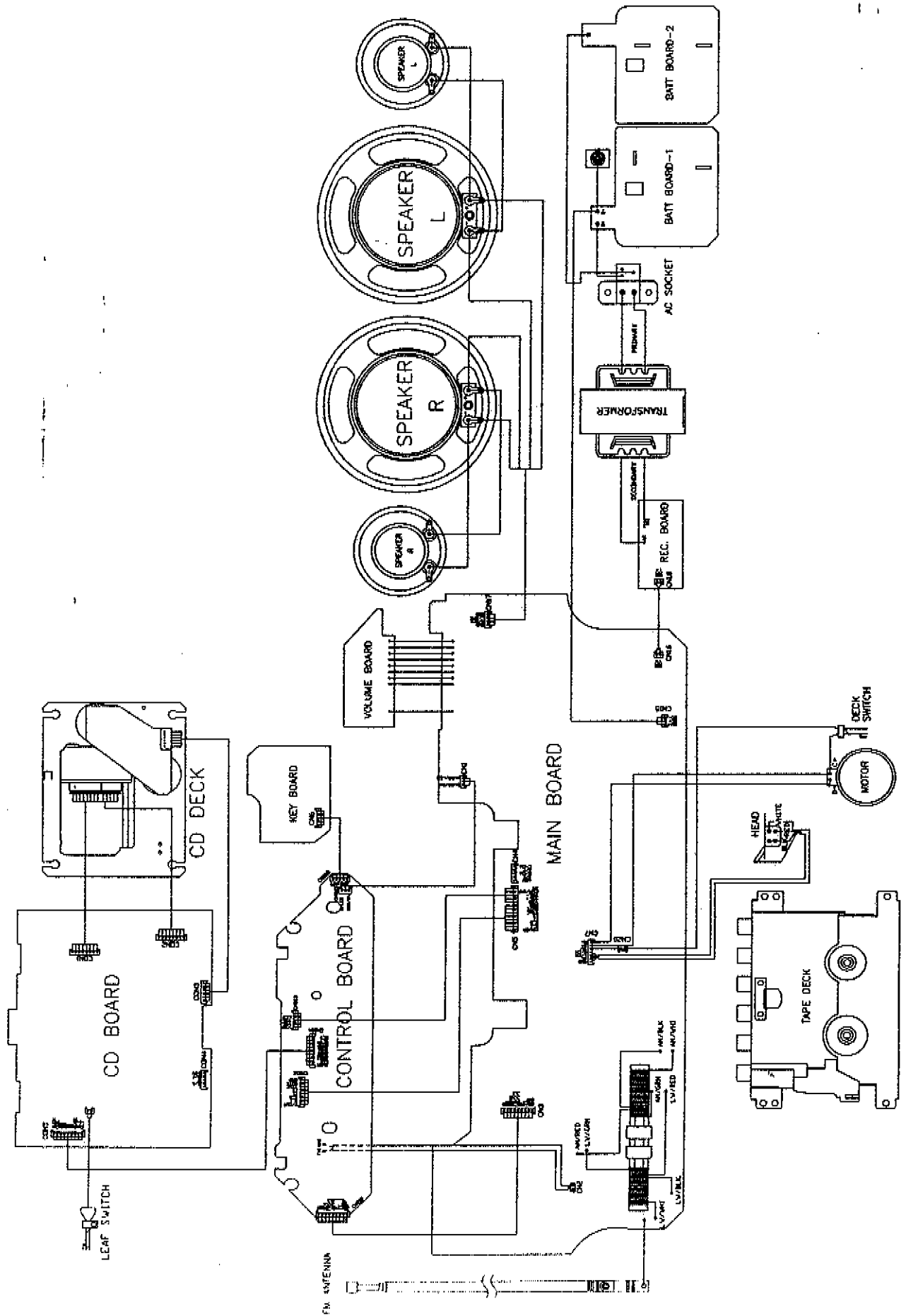
TA2065F

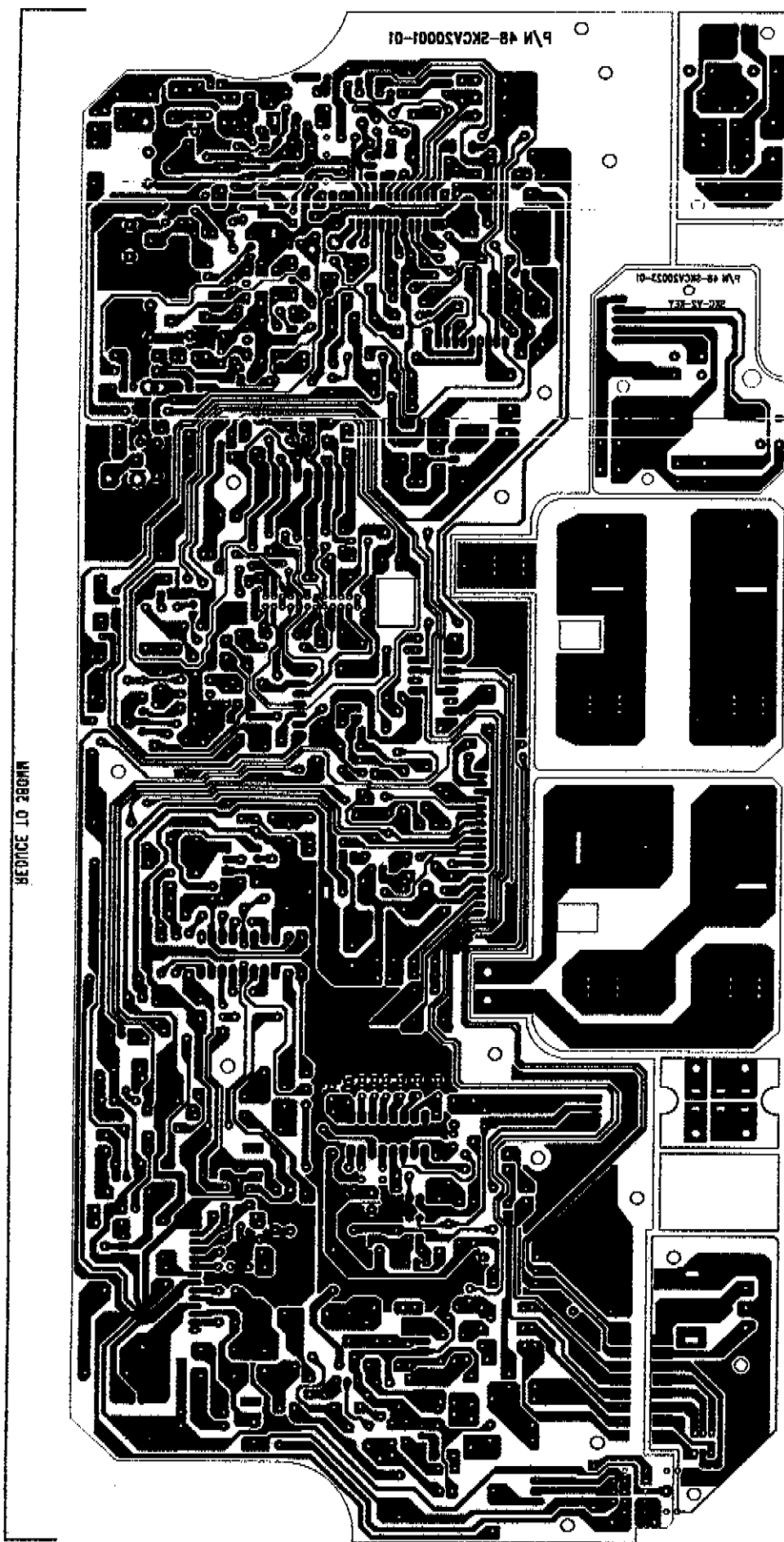


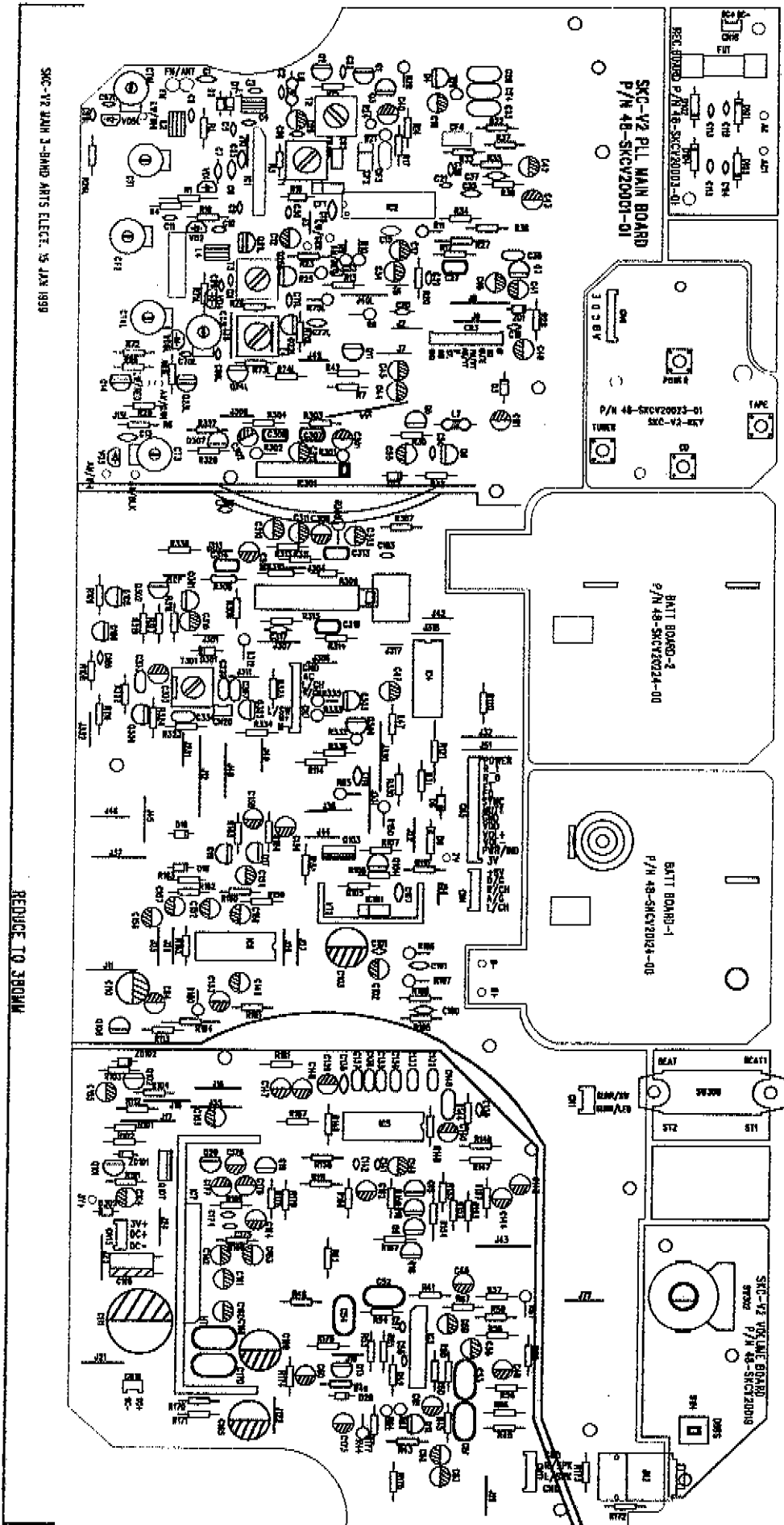
# BLOCK DIAGRAM



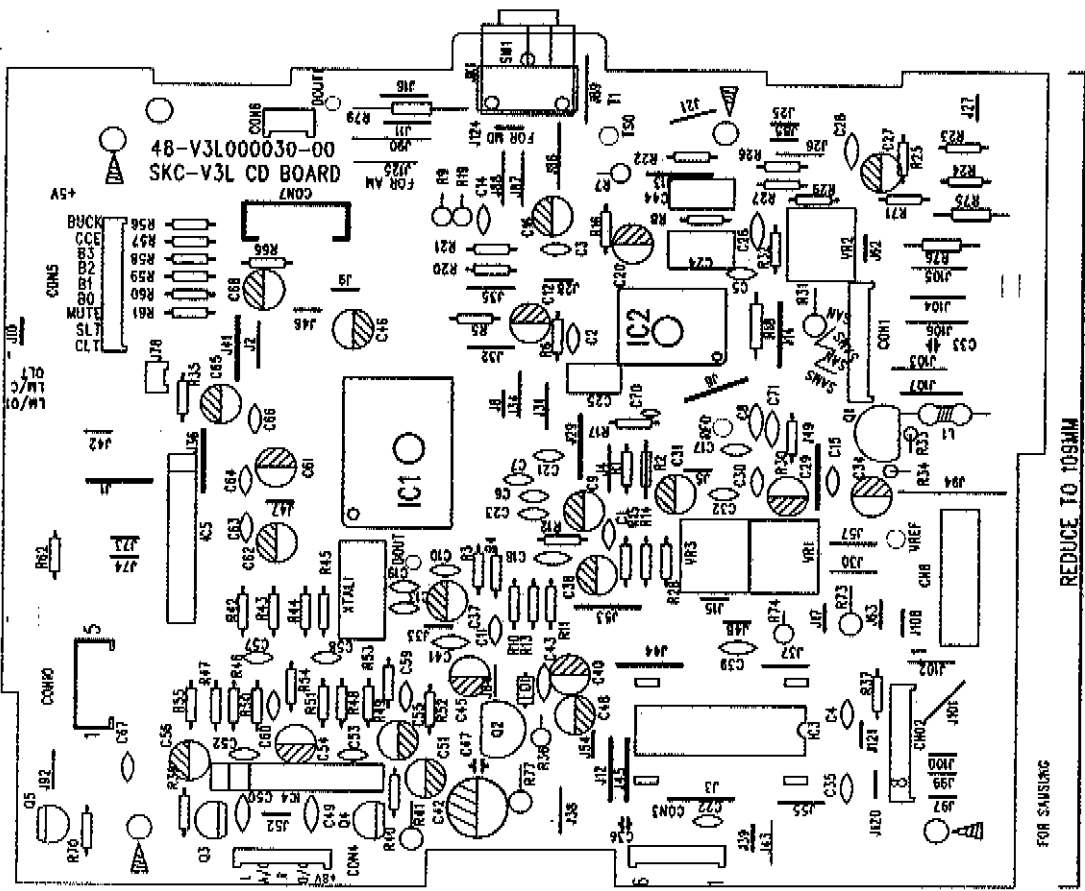
# WIRING DIAGRAM

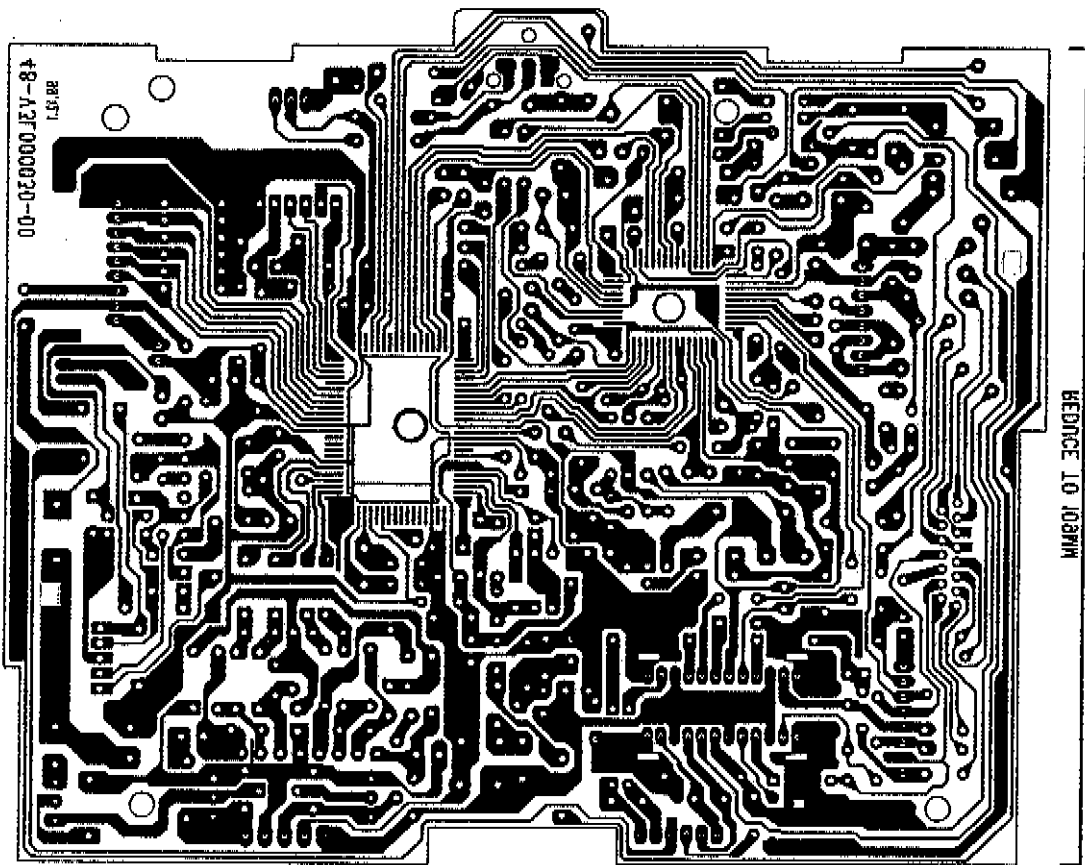








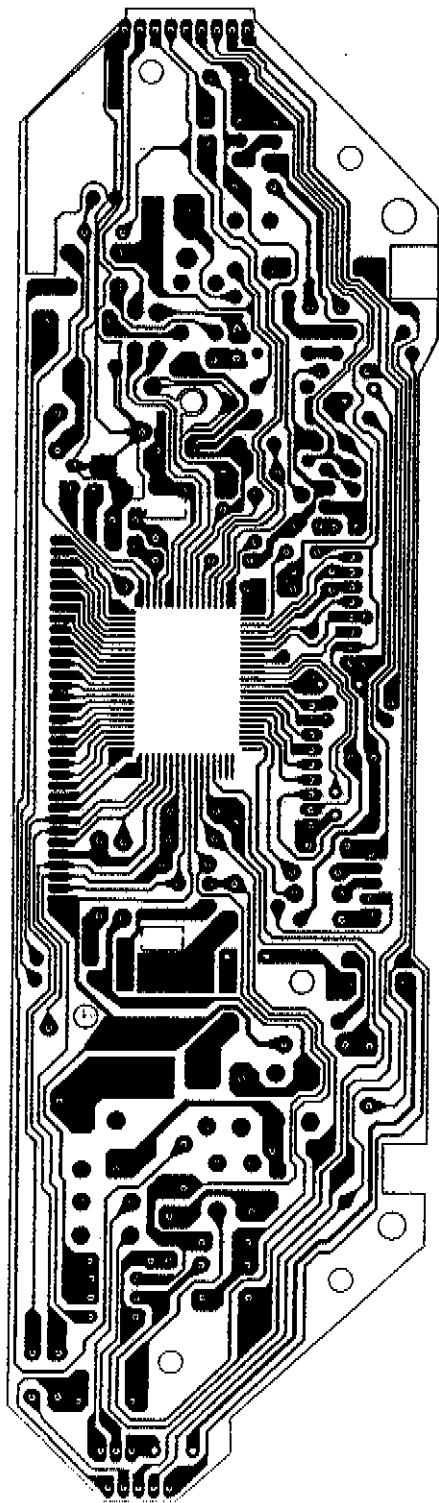


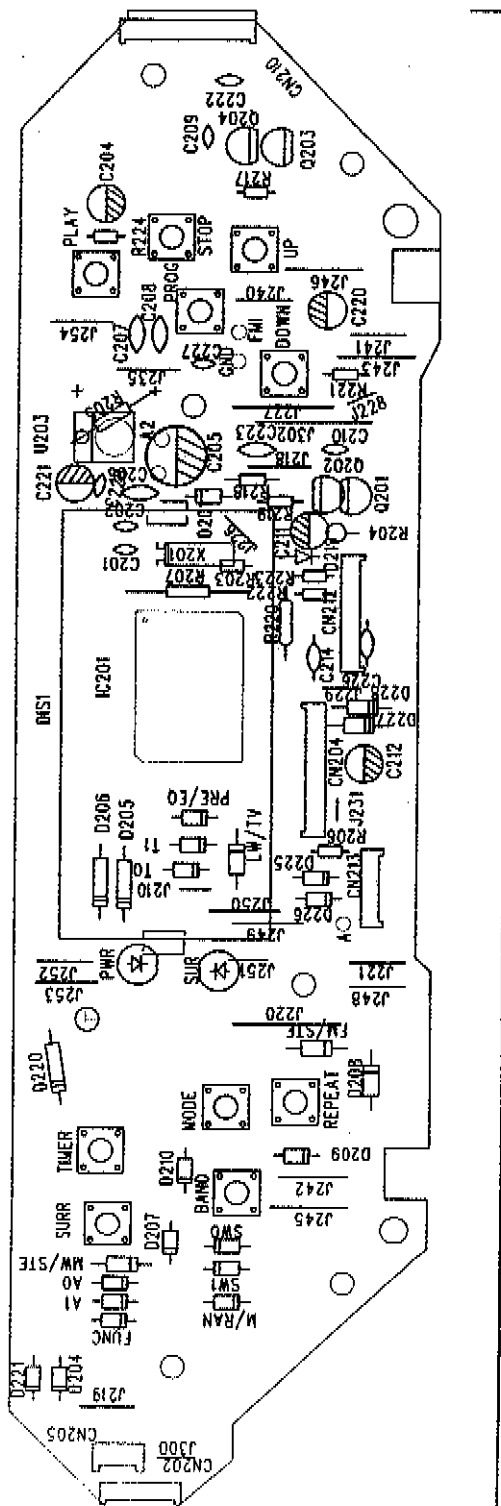


COPPER SIDE  
REDUCE TO 108MM

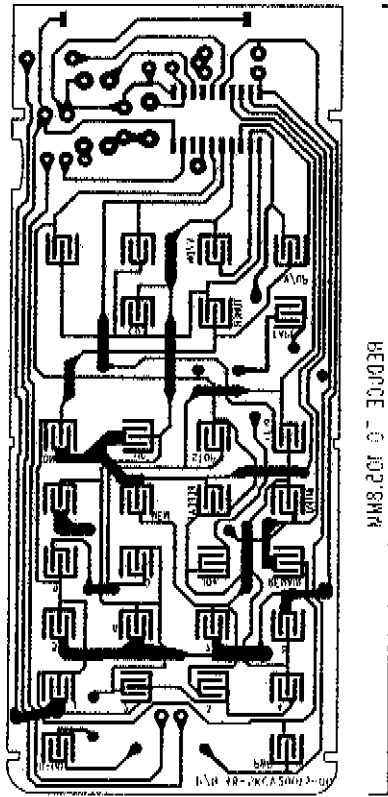
VR12 EFFECT. 3000 Q1 5P

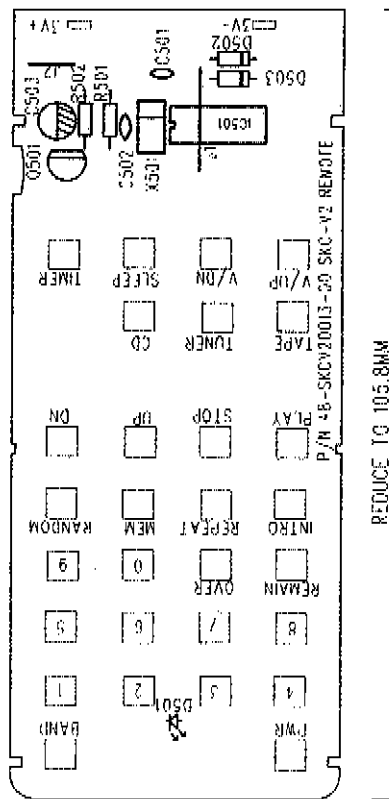
88 971  
48-A27000020-00

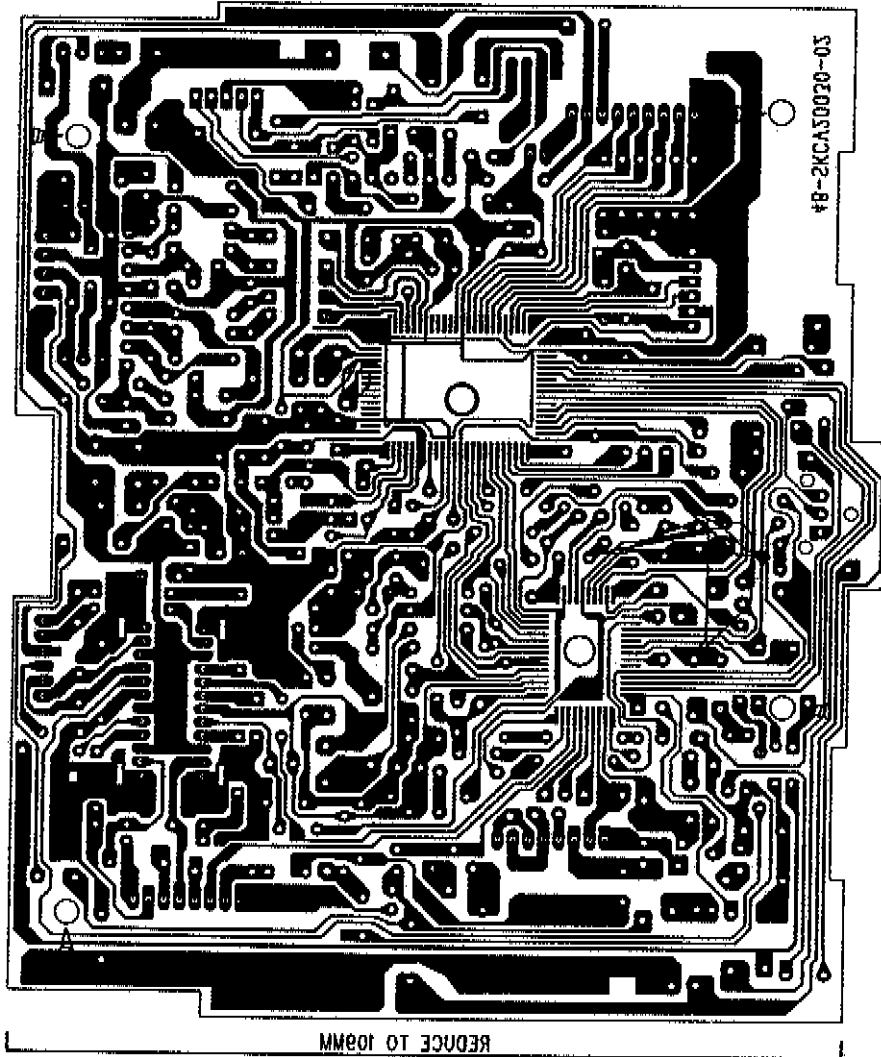




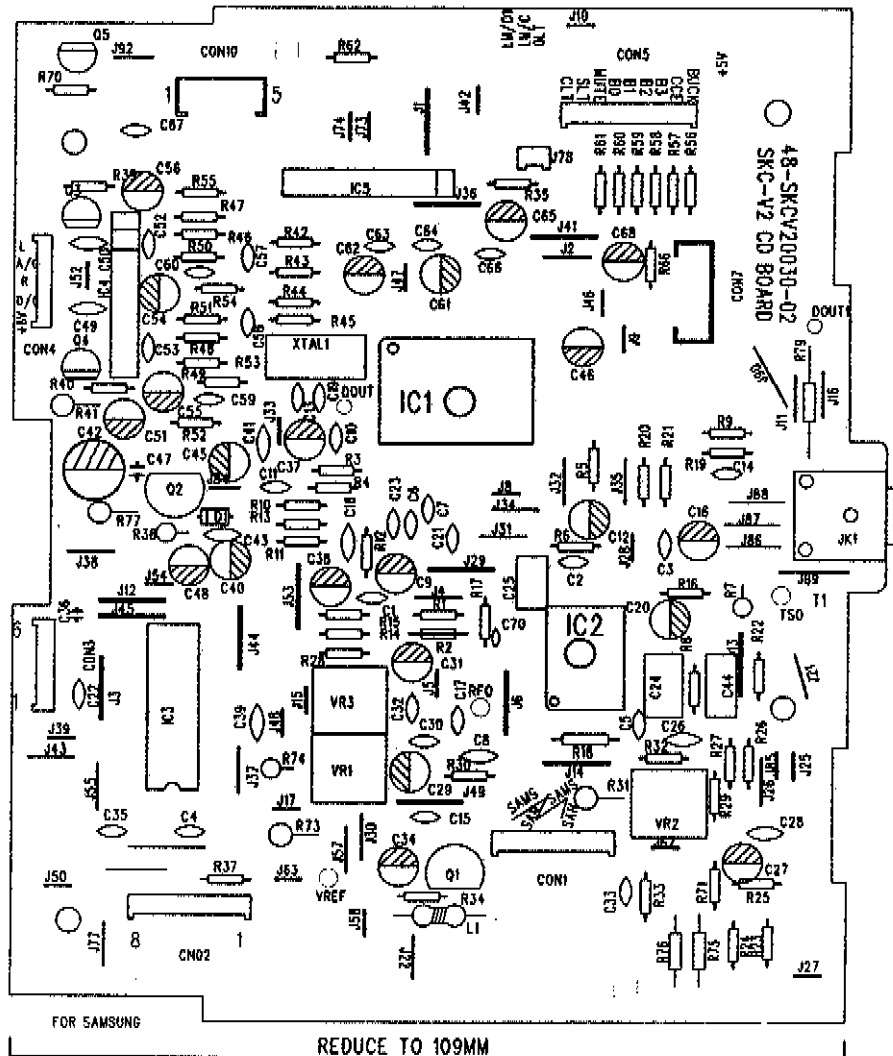
A3





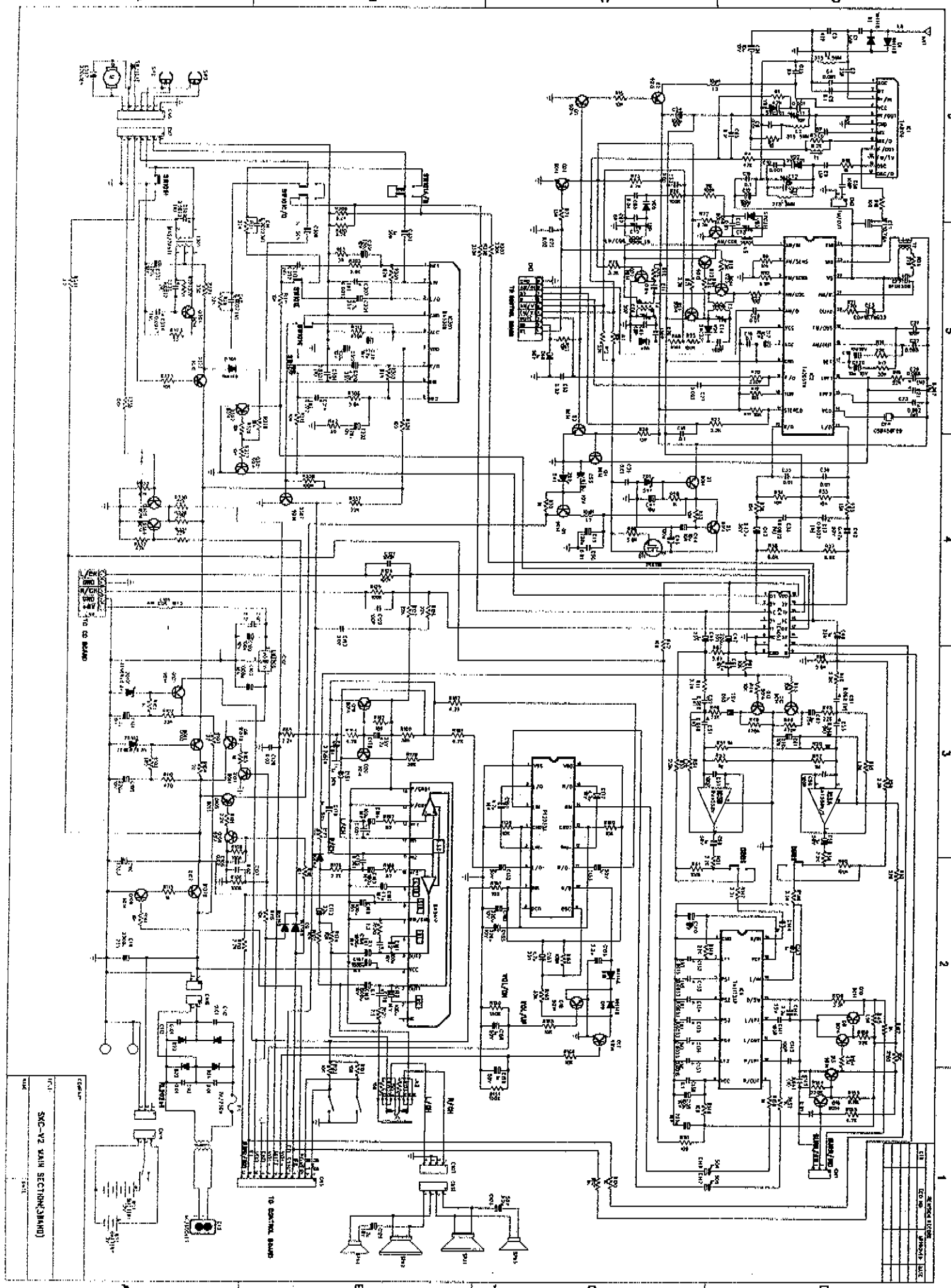


ARTS ELECT. 23 MAY 88  
COPPER SIDE



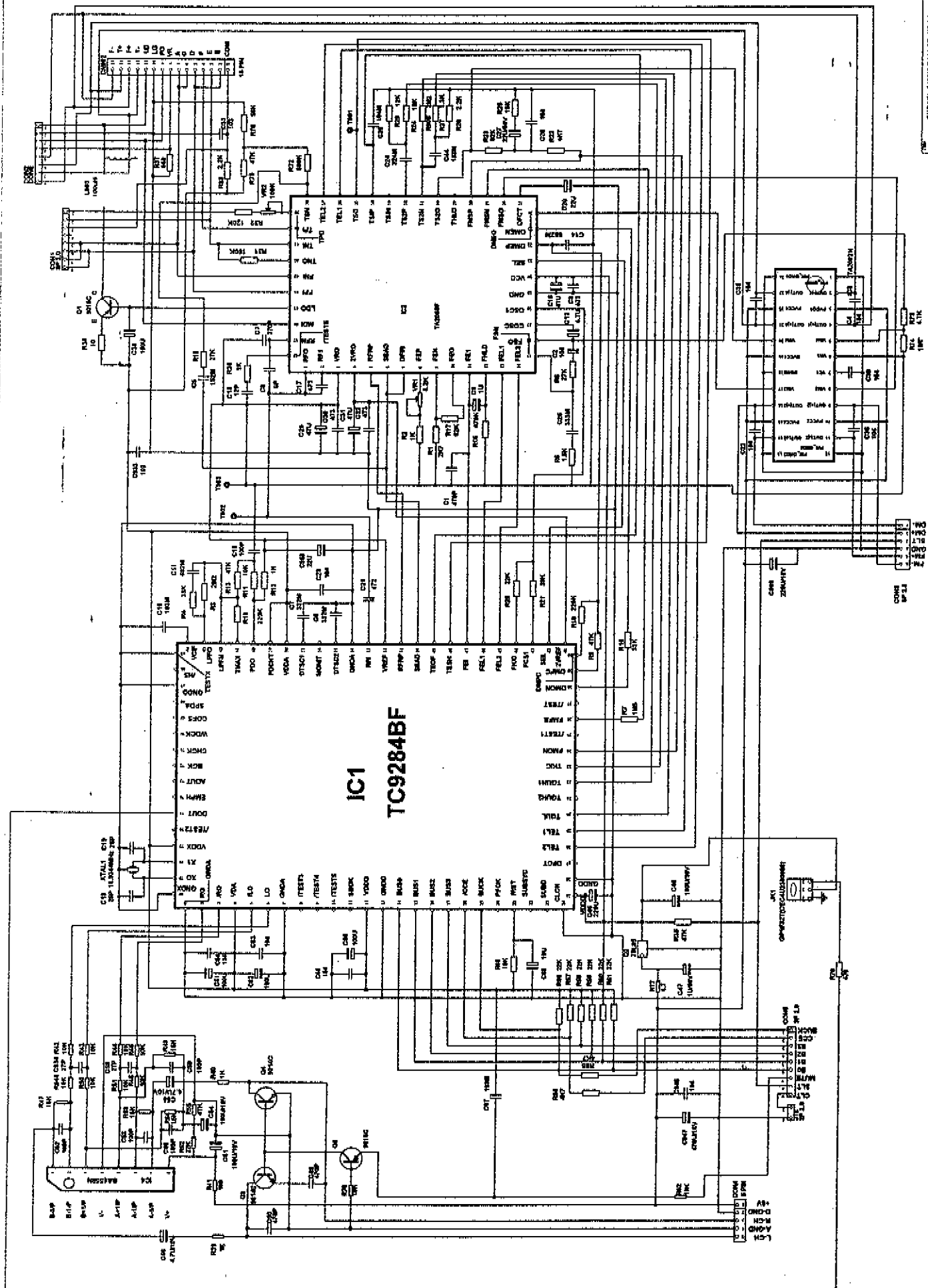
ARTS ELECT. 27 MAY 99



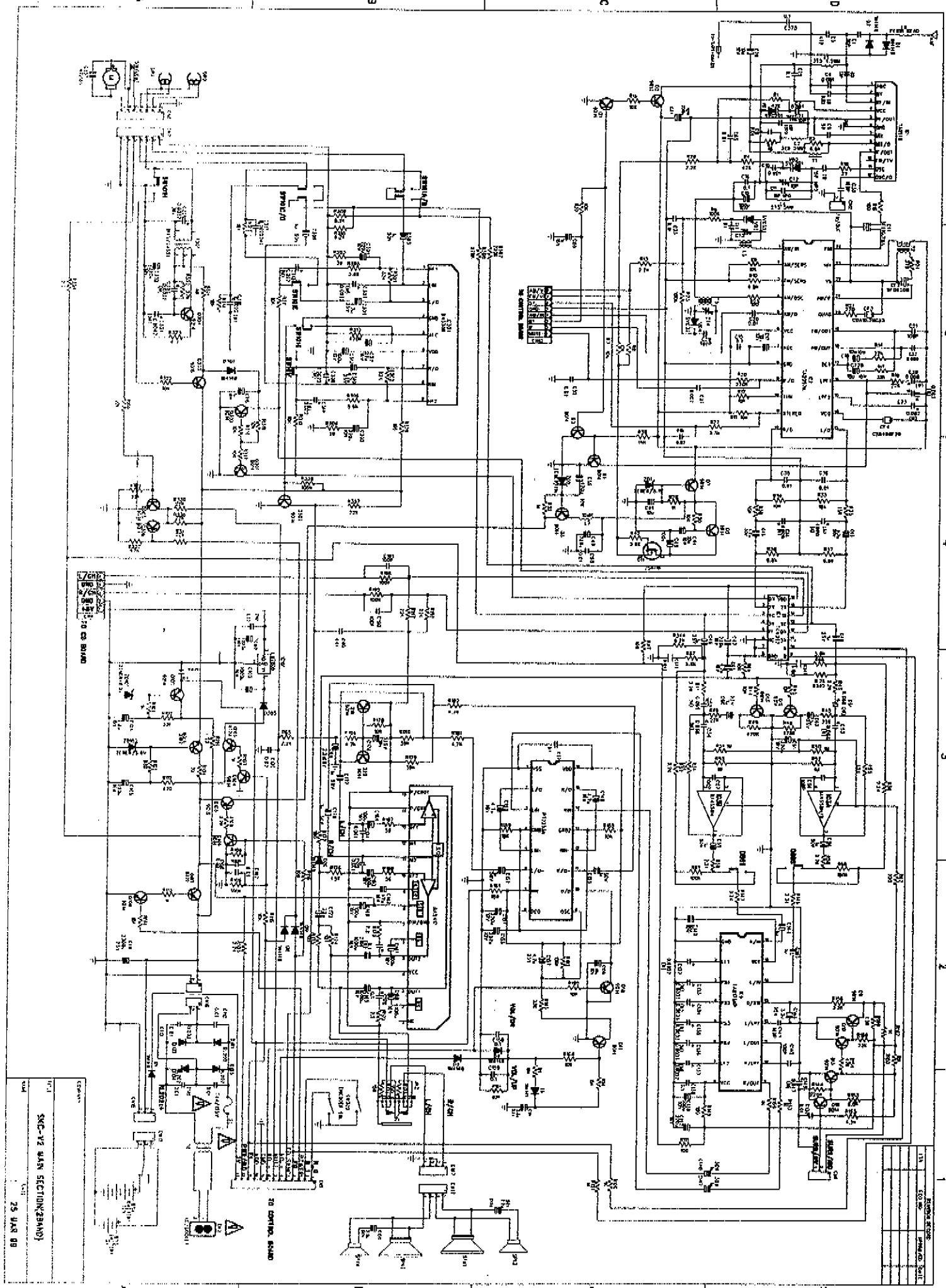


TITLE: SMC-V2 MAIN SECTION (SHAND)  
 DATE:

NO.	VALUE	PART NO.
1	10K	10K
2	100K	100K
3	1M	1M
4	10M	10M
5	100M	100M
6	1K	1K
7	10K	10K
8	100K	100K
9	1M	1M
10	10M	10M
11	100M	100M
12	1K	1K
13	10K	10K
14	100K	100K
15	1M	1M
16	10M	10M
17	100M	100M
18	1K	1K
19	10K	10K
20	100K	100K
21	1M	1M
22	10M	10M
23	100M	100M
24	1K	1K
25	10K	10K
26	100K	100K
27	1M	1M
28	10M	10M
29	100M	100M
30	1K	1K
31	10K	10K
32	100K	100K
33	1M	1M
34	10M	10M
35	100M	100M
36	1K	1K
37	10K	10K
38	100K	100K
39	1M	1M
40	10M	10M
41	100M	100M
42	1K	1K
43	10K	10K
44	100K	100K
45	1M	1M
46	10M	10M
47	100M	100M
48	1K	1K
49	10K	10K
50	100K	100K

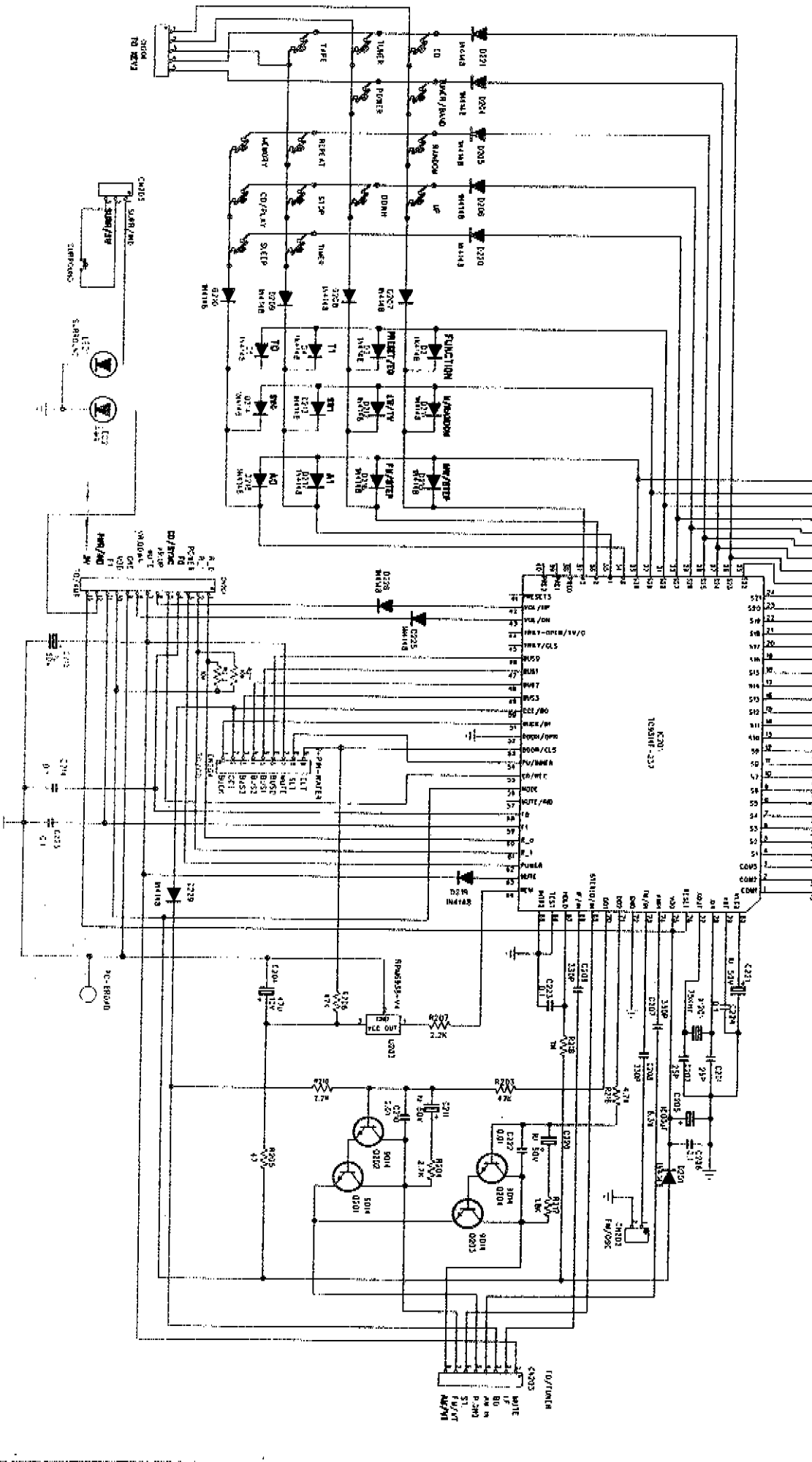
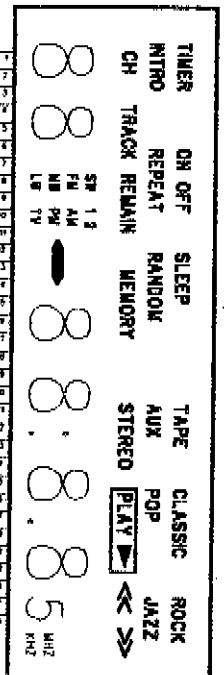


IC1  
TC9284BF



SHEET NO. 25  
 25 JAN 68  
 SMC-12 MAIN SECTION (SHAND)  
 25 JAN 68

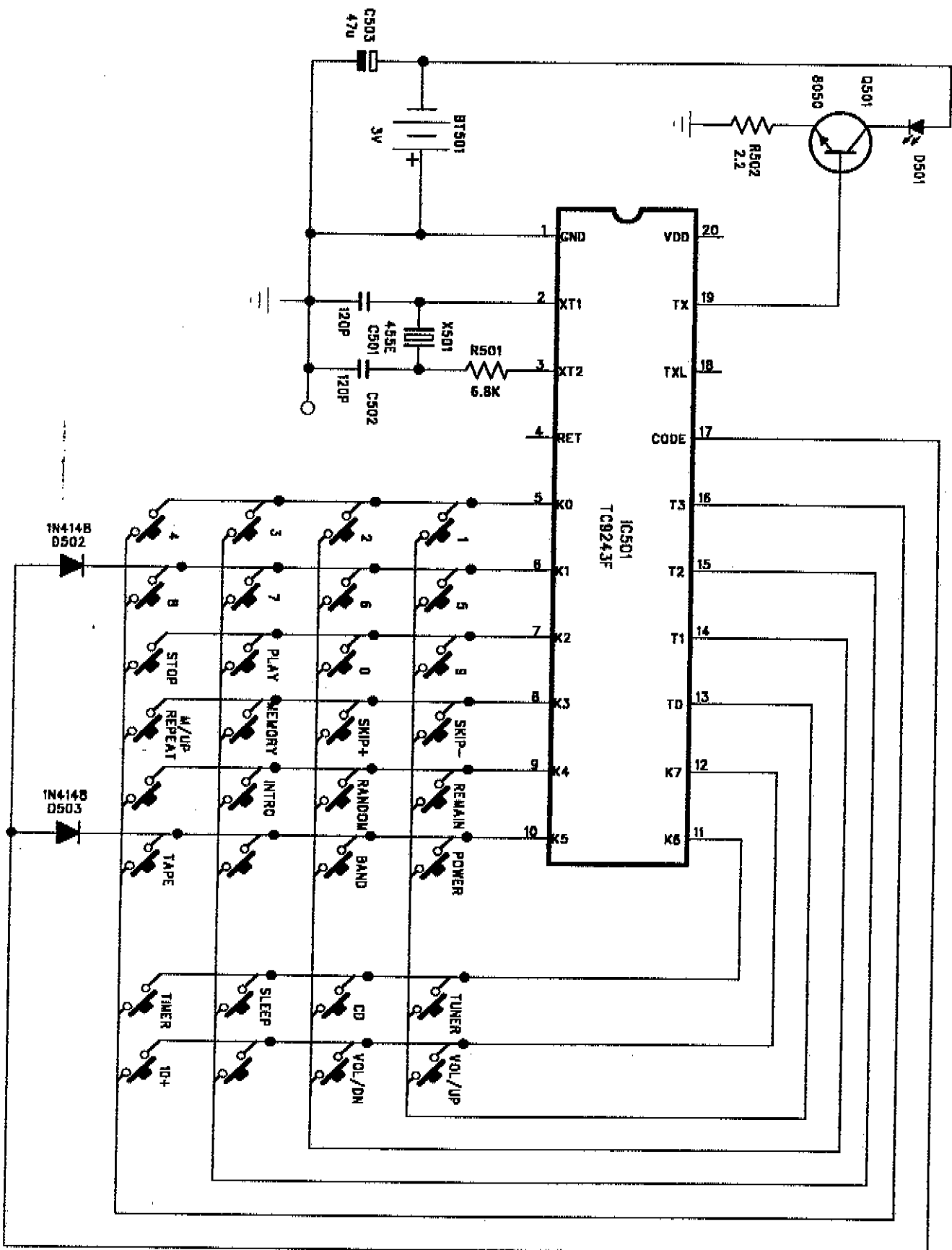
111	REVISIONS	DATE	BY

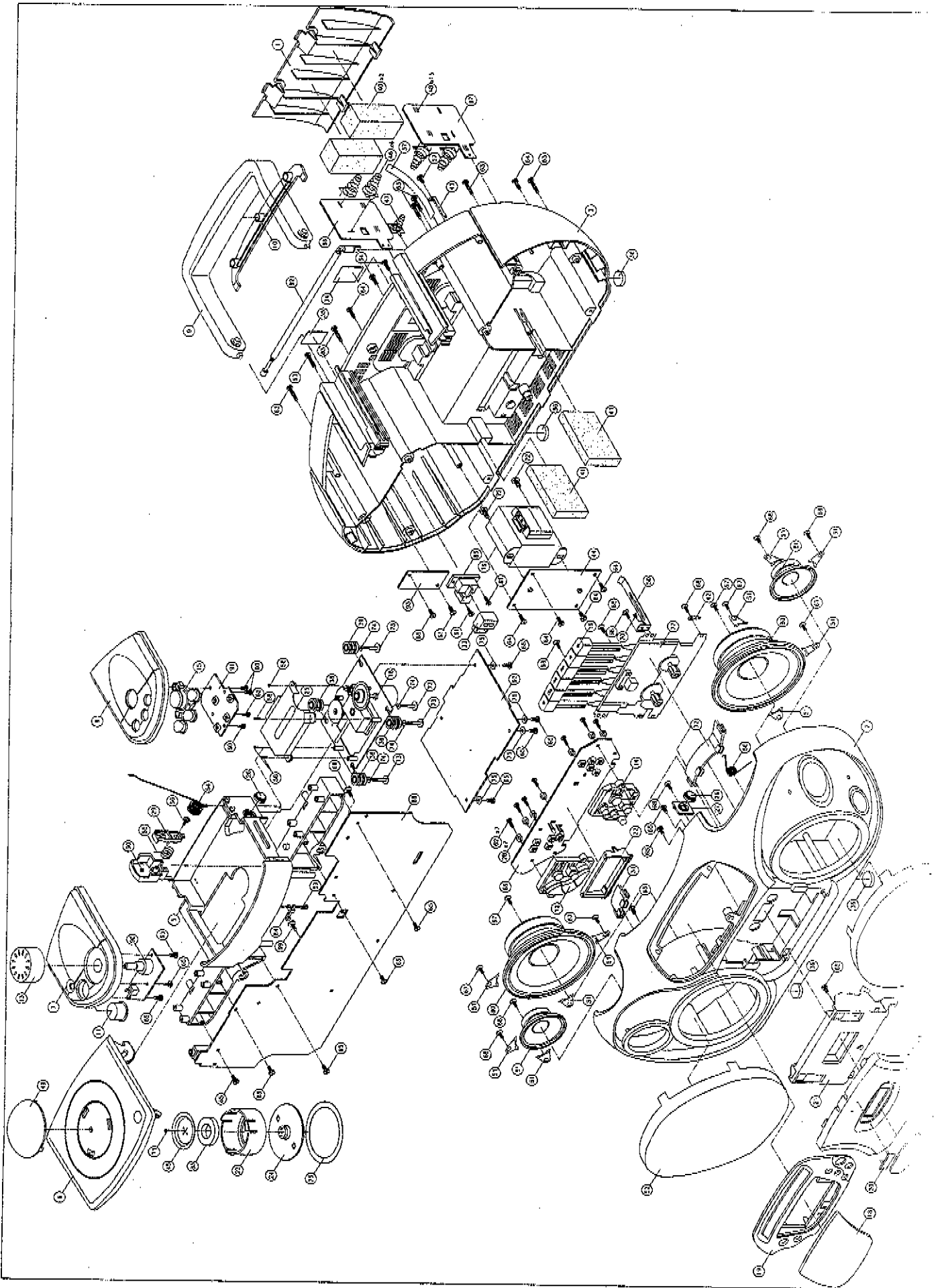


REVISION	
LTR	ECO NO.
APPROVED:	DATE:

MODEL: SKC-V2 CONTROL

DATE: 5 JAN 1989





# EXPLODED VIEW PARTS LIST

ITEM	PART NO.	DESCRIPTION	ITEM	PART NO.	DESCRIPTION
1	56-06V2L00A1-10	BATTERY DOOR	48	44-102340110-00	BARE WIRE
2	56-04V2L00A1-20	FRONT CABINET	49	61-68V300000-00	CD DOOR PLATE
3	56-05V2L00A1-20	REAR CABINET	50	61-80SKCV200-00	RECORD SHAFT
4	56-13V2L00A1-20	CASS DOOR	51	61-90SKCV200-00	SPEAKER CLIP
5	56-22000V200-BA	CD BRACKET	52	61-91V2L0061-00	SPEAKER GRILL (L)
6	56-14V2L00A1-10	CD DOOR	53	61-91V2L0161-00	SPEAKER GRILL (R)
7	56-22V2L0061-20	TOP COVER -L	54	61-94SKCV200-02	SPRING (1) - CD DOOR
8	56-22V2L0161-20	TOP COVER -R	55	61-94SKCV210-02	SPRING (1) - CD HOOK REV2
9	56-41V2L00A1-10	HANDLE	56	61-94SKCV220-02	SPRING - CASS DOOR REV2
10	56-41V2L01A1-10	HANDLE COVER	57	66-220300831-00	MACHINE SCREW MS/BH 3x8
11	56-54V2L00A1-10	DBBS KNOB	58	66-421200611-00	SELF-TAPPING SCREW TA/BH 2x6 (BLACK)
12	56-54V2L01A1-10	BAND KNOB	59	66-421201011-00	SELF-TAPPING SCREW TA/BH 2x10 (BLACK)
13	56-54V2L02A1-10	VOL. KNOB	60	66-421260831-00	SELF-TAPPING SCREW TA/BH 2.6x8
14	56-53V2L00A1-10	CD KNOB	61	66-421261031-00	SELF-TAPPING SCREW TA/BH 2.6x10
15	56-54V2L03A1-10	POWER KNOB	62	66-421261231-00	SELF-TAPPING SCREW TA/BH 2.6x12
16	56-55V2L00A1-10	CASS. KNOBS	63	66-421302031-00	SELF-TAPPING SCREW TA/BH 3x20
17	56-57V2L0200-40	CASS. LENS	64	66-422301231-00	SELF-TAPPING SCREW TB/BH 3x12
18	56-57V2L0100-40	DISPLAY LENS	65	66-431301031-00	SELF-TAPPING SCREW TA/PH 3x10
19	56-69V2L00A1-20	FRONT PLATE	66	66-481260831-00	SELF-TAPPING SCREW TA/WH 2.6x8
20	56-22000V230-BA	BATTERY COVER	67	66-481260831-00	SELF-TAPPING SCREW TA/WH 2.6x12
21	56-07000V200-BA	CASS BRACKET	68	66-481300831-00	SELF-TAPPING SCREW TA/WH 3x8
22	56-07000V230-BA	DISPLAY BRACKET	69	66-481301231-00	SELF-TAPPING SCREW TA/WH 3x12
23	56-07000V240-BA	CD CLAMPER HOLDER	70	66-520200331-00	TAP TITE SCREW TT/BH 2x3
24	56-160D66P00-BA	MAGNET CAP BOTTOM	71	66-520200411-00	TAP TITE SCREW TT/BH 2x4 (BLACK)
25	56-220066000-BA	LASER DUST COVER	72	66-542400631-00	SCR 5-TPG (NEAT) TT/TH 4x6
26	56-240Z24100-BA	GEAR	73	66-910001721-00	SHOULDER SCREW
27	56-240Z24110-BA	HOLDER GEAR	74	68-012006037-00	METAL WASHER 2x6x0.3mm
28	56-62V200080-10	SPACER	75	68-023008082-00	FIBRE WASHER 3.0x8.0x0.8mm
29	56-64000V200-BA	HOOK - CD DOOR	76	68-085466049-01	FELT WASHER 54x66x0.4mm
30	56-64000V210-BA	HOOK HOLDER	77	71-27VC74900-26	V/CASS DECK
31	56-69000V200-BA	PLATE -1	78	71-70CMSA30U-00	CD MECHANISM
32	56-69000V210-BA	PLATE -2	79	18-2575V2000-17	TRANSFORMER
33	56-810000000-AA	AC SOCKET COVER	80	19-820551265-32	SPEAKER 4" 7W 3.2 OHM MAGNET 65mm
34	57-08SKCV201-07	MASK PLATE -1 (27x23x0.5mm)	81	19-821051032-08	SPEAKER 2" 5W 8 OHM MAGNET 32mm
35	57-08SKCV211-07	PVC PLATE -2 (17.8x24.8x0.5mm)	82	32-100000009-02	ANTENNA
36	58-26SKCV200-00	HARD RUBBER FOOT	83	32-516300500-00	MAGNET DIA 16x30x5mm
37	58-51SCD6601-00	BATTERY RIBBON	84	41-061100000-0L	LEAF SWITCH
38	58-61AC13000-00	SHOCK ABSORBER (ORANGE)	85	43-520115020-01	AC SOCKET
39	58-61AC13001-00	SHOCK ABSORBER (BROWN)	86	48-SKCV20124-04	BATT. PCB
40	58-82SKCV200-00	BATTERY SPONG 55x25x25mm	87	48-SKCV20224-04	BATT. PCB
41	58-82SKCV210-00	SPONGE 70x40x10mm	88	01-V2L000001-00	MAIN BOARD ASS'Y AM/FM
42	61-870033140-00	LUG (SOLDERING)	89	01-V2L000005-10	CONTROL & DISPLAY BOARD ASS'Y
43	61-04SKCV200-00	ANTENNA CONTACT PLATE	90	01-SKCV20802-00	VOLUME BOARD ASS'Y
44	61-11SKCV200-01	TRANS. BRACKET (90x58x1.5mm)	91	01-SKCV20803-00	KEY BOARD ASS'Y
45	61-160066000-00	MAGNET CAP TOP	92	01-SKCV20804-00	CD BOARD ASS'Y
46	61-26SKCV200-01	BATTERY SPRING (-)	93	01-SKCV20805-00	RECTIFIER BOARD ASS'Y
47	61-26TX44001-00	BATTERY SPRING (-) (B)			

## REPLACEMENT PARTS LIST

REF NO.	PART NO.	DESCRIPTION	
	01-SKCV20B02-00	VOLUME BOARD ASS'Y	SKC-V2
: SW302	22-100042000-13	ROTARY VOLUME (POLYSHINE)	F-162KP-1-16LS L20Fx12 360C
	41-192203000-0V	PUSH SWITCH (COMAX)	PS-2203-LS
	44-102440110-0A	BARE WIRE	dia 0.5mm L=40mm
: FOR CN55H	44-402605056-06	FLAT CABLE WIRE 6P	4+4+2+4mm AWG26 UL2468 P=2.5mm
	48-SKCV20019-04	VOL. PCB #SKC-V2	#48-SKCV20019-04
	01-SKCV20B03-00	KEY BOARD ASS'Y	SKC-V2
: TUNER/CD/POWER	41-151100000-0V	TACT SWITCH (COMAX)	RS-014R81 (H=5mm F=160+30gf)
: TAPE TACT SWITCH	41-151100005-B3	TACT SWITCH (LUP FUNG)	TS-065002-150
: CN6	43-9B2501051-00	WAFER 3 PINS P=2.5mm 90C	
: FOR TAPESW TO 8 OHM 5W SPEAKER GND	44-302616200-41	STRAND JUMPER WIRE UL1007	AWG26 4+152+4mm (BLACK)
	48-SKCV20023-04	KEY PCB #SKC-V2	#48-SKCV20023-04
	01-SKCV20B04-00	CD BOARD ASS'Y	SKC-V2
: Q3,4	11-9014C0001-00	TRANSISTOR	9014C
: Q1,5	11-9015C0001-00	TRANSISTOR	9015C
: IC4	16-BA4558N00-01	IC (ROHM)	BA4558N
: Q2	16-LM78L0500-04	IC	LM78L05
rand Name : "AKAI AJ-C2500"	0-V2L000115-00	Description: AM/FM ST.CASS RADIO(PLL	pecification: 230V CE APP (UNIT:SIL.+
: IC2	16-TA2065F00-09	IC (TOSHIBA)	TA2065F
: IC3	16-TA2092N00-04	IC.POWER DRIVER (TOSHIBA)	TA2092N
: IC1	16-TC9284BF0-09	IC (TOSHIBA)	TC9284BF
: R34	21-212103000-00	RESISTOR CARBON FILM +-5%	10 OHM 1/6W
: R41	21-213103000-00	RESISTOR CARBON FILM +-5%	100 OHM 1/6W
: R37	21-213223000-00	RESISTOR CARBON FILM +-5%	220 OHM 1/6W
: R12,30,39,40,2	21-214103000-00	RESISTOR CARBON FILM +-5%	1K OHM 1/6W
: R33,5	21-214223000-00	RESISTOR CARBON FILM +-5%	2.2K OHM 1/6W
: R1	21-214273000-00	RESISTOR CARBON FILM +-5%	2.7K OHM 1/6W
: R26,27	21-214333000-00	RESISTOR CARBON FILM +-5%	3.3K OHM 1/6W
: R22,73	21-214473000-00	RESISTOR CARBON FILM +-5%	4.7K OHM 1/6W
: R11,62,70,24,42,13,74	21-215103000-00	RESISTOR CARBON FILM +-5%	10K OHM 1/6W
R43,44,45,46,48,50,51,66			
: R29,18	21-215123000-00	RESISTOR CARBON FILM +-5%	12K OHM 1/6W
: R25,47,49,53,54	21-215153000-00	RESISTOR CARBON FILM +-5%	15K OHM 1/6W
rand Name : "AKAI AJ-C2500"	0-V2L000115-00	Description: AM/FM ST.CASS RADIO(PLL	pecification: 230V CE APP (UNIT:SIL.+
: R21,56,57,58,59,60,61,52,4	21-215223000-00	RESISTOR CARBON FILM +-5%	22K OHM 1/6W
: R6	21-215273000-00	RESISTOR CARBON FILM +-5%	27K OHM 1/6W
: R16,14	21-215333000-00	RESISTOR CARBON FILM +-5%	33K OHM 1/6W
: R76,20	21-215393000-00	RESISTOR CARBON FILM +-5%	39K OHM 1/6W
: R9,23,35,55	21-215473000-00	RESISTOR CARBON FILM +-5%	47K OHM 1/6W
: R75	21-215683000-00	RESISTOR CARBON FILM +-5%	68K OHM 1/6W
: R17	21-215823000-00	RESISTOR CARBON FILM +-5%	82K OHM 1/6W
: R32	21-216123000-00	RESISTOR CARBON FILM +-5%	120K OHM 1/6W
: R31	21-216183000-00	RESISTOR CARBON FILM +-5%	180K OHM 1/6W
: R10,19	21-216223000-00	RESISTOR CARBON FILM +-5%	220K OHM 1/6W
: R15	21-216473000-00	RESISTOR CARBON FILM +-5%	470K OHM 1/6W
: R71	21-216683000-00	RESISTOR CARBON FILM +-5%	680K OHM 1/6W
: R7	21-217153000-00	RESISTOR CARBON FILM +-5%	1.5M OHM 1/6W
: R3,8	21-217223000-00	RESISTOR CARBON FILM +-5%	2.2M OHM 1/6W
rand Name : "AKAI AJ-C2500"	0-V2L000115-00	Description: AM/FM ST.CASS RADIO(PLL	pecification: 230V CE APP (UNIT:SIL.+
: R77	21-221473000-00	RESISTOR CARBON FILM +-5%	4.7 OHM 1/4W
: VR1	23-112343005-06	SEMI-FIXED (6mm) (WELTRONIC)	3KN #637A
: VR2	23-112361005-06	SEMI-FIXED (6mm) (WELTRONIC)	100KN #637A
: C8	25-116070300-00	CERAMIC CAP DISC TYPE +-0.5PF	6PF 50V
: C15	25-122210300-00	CERAMIC CAP DISC TYPE +-5%	22PF 50V
: C57,58	25-122710300-00	CERAMIC CAP DISC TYPE +-5%	27PF 50V
: C18,52,53,59,60	25-131010300-00	CERAMIC CAP DISC TYPE +-5%	100PF 50V
: C49,50,1	25-134710300-00	CERAMIC CAP DISC TYPE +-5%	470PF 50V
: C70	25-141040300-00	CERAMIC CAP DISC TYPE +80%-20%	0.001UF 50V
: C21	25-144740300-00	CERAMIC CAP DISC TYPE +80%-20%	0.0047UF 50V
: C33	25-151040300-00	CERAMIC CAP DISC TYPE +80%-20%	0.01 UF 50V
: C3,17,30,32	25-154740300-00	CERAMIC CAP DISC TYPE +80%-20%	0.047UF 50V
: C2,4,22,26,35,36,39	25-161040200-00	CERAMIC CAP DISC TYPE +80%-20%	0.1UF 25V
C63,64,66,23,41			
: C13,19	25-222510300-00	CERAMIC CAP DISC TYPE (NPO)	25PF 50V +-5%
	0-V2L000115-00	Description: AM/FM ST.CASS RADIO(PLL	
: C5	25-341520300-00	MYLAR CAP +-10%	0.0015UF 50V
: C6,7	25-343320300-00	MYLAR CAP +-10%	0.0033UF 50V
: C11	25-345620300-00	MYLAR CAP +-10%	0.0056UF 50V
: C14	25-346820300-00	MYLAR CAP +-10%	0.0068UF 50V
: C10,67	25-351020300-00	MYLAR CAP +-10%	0.01UF 50V
: C44	25-351520300-00	MYLAR CAP +-10%	0.015UF 50V



: C26	25-352720300-00	MYLAR CAP +-10%	0.027UF 50V
: C25	25-353320300-00	MYLAR CAP +-10%	0.033UF 50V
: C24	25-362220300-00	MYLAR CAP +-10%	0.22UF 50V
: C9,47	26-321030500-00	ELECT CAP (RADIAL)	1UF 50V +-20% (NORMAL SIZE)
: C12	26-324730500-00	ELECT CAP (RADIAL)	4.7UF 50V +-20% (NORMAL SIZE)
: C55,56	26-324730501-00	ELECT CAP	4.7UF 50V +-20% (4x7mm)
: C20,37,68	26-331030500-00	ELECT CAP (RADIAL)	10UF 50V +-20% (NORMAL SIZE)
: C27	26-332230300-00	ELECT CAP (RADIAL)	22UF 25V +-20% (NORMAL SIZE)
	0-V2L000115-00	Description: AM/FM ST.CASS RADIO(PLL	
: C16,29,31,38	26-334730300-00	ELECT CAP (RADIAL)	47UF 25V +-20% (NORMAL SIZE)
: C34,45,51,54,51,62,65	26-341030100-00	ELECT CAP (RADIAL)	100UF 10V +-20% (NORMAL SIZE)
: C46,48	26-342230100-00	ELECT CAP (RADIAL)	220UF 10V +-20% (NORMAL SIZE)
: C42	26-344730100-00	ELECT CAP (RADIAL)	470UF 10V +-20% (NORMAL SIZE)
: >XTAL1	31-116935000-07	CRYSTAL (FARGO)	16.9344MHz HC-49/U
: L1	38-310002000-30	AXIAL INDUCTORS (EC-36 TYPE)	100UH +-10% (I <sub>dc</sub> max:275 mA)
: CN.	43-9A2001021-00	WAFER 2 PINS P=2mm 180C	
: CN3	43-9A2001051-00	WAFER 6 PINS P=2mm 180C	
: CN01.02.	43-9A2001081-00	WAFER 8 PINS P=2mm 180C	
: CON5	43-9A2001091-00	WAFER 9 PINS P=2mm 180C	
: J1-55	44-102440110-0A	BARE WIRE	dia 0.5mm L=40mm
R2			
: CON4	44-512810255-A0	5P WIRE SINGLE HOUSING UL1571	AWG28 P=2.0mm L=160mm
	48-SKCV20030-02	CD PCB #SKC-V2	#48-SKCV20030-02
	01-SKCV20B05-00	RECTIFIER BOARD ASSY	SKC-V2
: D101,102,103,104	15-0000RL202-00	RECTIFIER DIODE	RL-202
: C112,113,114,115	25-151040300-00	CERAMIC CAP DISC TYPE +80%-20%	0.01 UF 50V
rand Name : "AKAI AJ-C2500"	0-V2L000115-00	Description: AM/FM ST.CASS RADIO(PLL	pecification: 230V CE APP (UNIT:SIL.+
: CN18	44-522219252-G1	2P WIRE(#22UL1007) W/SINGLE	HOUSING(2.5mm) L=190mm
	48-400D05200-00	FUSE HOLDER (PAK HOP)	D-052
	47-301050102-10	UL TUBE	I.D. 1x0.5x10mm
: FOR REC PCB 2PIN WIRE	47-304051602-10	UL TUBE	I.D. 4x0.5x160mm
	48-SKCV20003-04	RECTIFIER PCB #SKC-V2	#48-SKCV20003-04
	01-V2L000001-00	MAIN BOARD ASSY AM/FM	#SKC-V2L (UL VERSION)
: Q1,3,4,7,8,9,10,12,13,15,16,17	11-9014C0001-00	TRANSISTOR	9014C
Q18,19,101,102,104,106,20			
Q108,301,302,304,305,306,307			
: Q2,105,308	11-9015C0001-00	TRANSISTOR	9015C
: Q107,103	11-K5B772Y02-01	TRANSISTOR (SAMSUNG)	K5B772YS
: ZD2	12-111203100-00	ZENER DIODE +-5%	11V 1/2W
: ZD1	12-151103100-07	ZENER DIODE +-5% (ROHM)	5.1V 1/2W
: ZD102	12-168103200-00	ZENER DIODE +-5%	6.8V 1/2W
: ZD101	12-362103104-07	ZENER DIODE +-5% (ROHM)	6.2V 1/2W (TAPING)
: D305	15-0001N4001-00	RECTIFIER DIODE	1N4001
: D1.2.3.6.7.8.9.	15-0001N4148-00	SWITCHING DIODE	1N4148 (LEAD TYPE)
D20,301.5.302			
rand Name : "AKAI AJ-C2500"	0-V2L000115-00	Description: AM/FM ST.CASS RADIO(PLL	pecification: 230V CE APP (UNIT:SIL.+
: VD1,2	15-SVC201SPA-11	VARACTOR DIODE (SANYO)	SVC201SPA
: VD3,4	15-SVC321SPA-11	VARACTOR DIODE (SANYO)	SVC321SPA
: IC301	16-BA3308000-02	IC.PRE.AMP (ROHM)	BA3308
: IC3	16-BA4558N00-01	IC (ROHM)	BA4558N
: IC7	16-BA5417000-01	IC (ROHM)	BA5417
	16-KA7808000-12	IC (SAMSUNG)	KA7808
: IC10	16-PT2253AC0-00	IC (ANGUS)	PT2253AC
: IC2	16-TA2057N00-04	IC (TOSHIBA)	TA2057N
: IC5	16-TA8173AP0-00	IC (TOSHIBA)	TA8173AP
: IC1	16-TA8176SN0-16	IC (TOSHIBA)	TA8176SN
: IC4	16-TC4052BP0-04	IC (TOSHIBA)	TC4052BP
: R61	21-216103000-00	RESISTOR CARBON FILM +-5%	100K OHM 1/6W
: R170,171,334	21-221223000-00	RESISTOR CARBON FILM +-5%	2.2 OHM 1/4W
: R323	21-221473000-00	RESISTOR CARBON FILM +-5%	4.7 OHM 1/4W
: R2,18	21-222103000-00	RESISTOR CARBON FILM +-5%	10 OHM 1/4W
rand Name : "AKAI AJ-C2500"	0-V2L000115-00	Description: AM/FM ST.CASS RADIO(PLL	pecification: 230V CE APP (UNIT:SIL.+
: R104,191	21-222223000-00	RESISTOR CARBON FILM +-5%	22 OHM 1/4W
: R303,304	21-222393000-00	RESISTOR CARBON FILM +-5%	39 OHM 1/4W
: R16,168,169	21-222563000-00	RESISTOR CARBON FILM +-5%	56 OHM 1/4W
: R324	21-222683000-00	RESISTOR CARBON FILM +-5%	68 OHM 1/4W
: R23,47,111,148,161,329	21-223103000-00	RESISTOR CARBON FILM +-5%	100 OHM 1/4W
: R172,173	21-223153000-00	RESISTOR CARBON FILM +-5%	150 OHM 1/4W
: R62	21-223223000-00	RESISTOR CARBON FILM +-5%	220 OHM 1/4W
: R21	21-223273000-00	RESISTOR CARBON FILM +-5%	270 OHM 1/4W
: R112	21-223473000-00	RESISTOR CARBON FILM +-5%	470 OHM 1/4W
: R24	21-223563000-00	RESISTOR CARBON FILM +-5%	560 OHM 1/4W
: R103	21-223683000-00	RESISTOR CARBON FILM +-5%	680 OHM 1/4W
: R28,32,101,107,113,120,121,157,158	21-224103000-00	RESISTOR CARBON FILM +-5%	1K OHM 1/4W
: R55,54	21-224123000-00	RESISTOR CARBON FILM +-5%	1.2K OHM 1/4W
: R166,176	21-224153000-00	RESISTOR CARBON FILM +-5%	1.5K OHM 1/4W

rand Name : "AKAI AJ-C2500"	0-V2L000115-00	Description: AM/FM ST.CASS RADIO(PLL	pecification: 230V CE APP (UNIT: SIL.+
: R40,41,56,57,58,59,65,109,13,29,10	21-224223000-00	RESISTOR CARBON FILM +-5%	2.2K OHM 1/4W
: R27,102,146,147,156	21-224333000-00	RESISTOR CARBON FILM +-5%	3.3K OHM 1/4W
: R181,182,194,178,155	21-224473000-00	RESISTOR CARBON FILM +-5%	4.7K OHM 1/4W
: R66,305,306,67	21-224563000-00	RESISTOR CARBON FILM +-5%	5.6K OHM 1/4W
: R37,38,153	21-224683000-00	RESISTOR CARBON FILM +-5%	6.8K OHM 1/4W
: R10,309,310,342,344	21-224823000-00	RESISTOR CARBON FILM +-5%	8.2K OHM 1/4W
: R7,8,11,12,15,22,30,33,34,44	21-225103000-00	RESISTOR CARBON FILM +-5%	10K OHM 1/4W
R114,115,116,152,159,160,174,165			
R175,311,312,316,317,319,325			
R177,31,330,336,340,164,64			
: R9	21-225123000-00	RESISTOR CARBON FILM +-5%	12K OHM 1/4W
: R35,36,39,3,341	21-225153000-00	RESISTOR CARBON FILM +-5%	15K OHM 1/4W
: R314,315	21-225183000-00	RESISTOR CARBON FILM +-5%	18K OHM 1/4W
: R14,19,45,46,187,198,197	21-225223000-00	RESISTOR CARBON FILM +-5%	22K OHM 1/4W
R337,333,335			
: R322	21-225273000-00	RESISTOR CARBON FILM +-5%	27K OHM 1/4W
: R17,163	21-225333000-00	RESISTOR CARBON FILM +-5%	33K OHM 1/4W
rand Name : "AKAI AJ-C2500"	0-V2L000115-00	Description: AM/FM ST.CASS RADIO(PLL	pecification: 230V CE APP (UNIT: SIL.+
: R179,180	21-225393000-00	RESISTOR CARBON FILM +-5%	39K OHM 1/4W
: R1,4,154,332	21-225473000-00	RESISTOR CARBON FILM +-5%	47K OHM 1/4W
: R301,302	21-225823000-00	RESISTOR CARBON FILM +-5%	82K OHM 1/4W
: R6,25,80,106,108,162,196,196,338,1	21-226103000-00	RESISTOR CARBON FILM +-5%	100K OHM 1/4W
: R20,144,307,308	21-226223000-00	RESISTOR CARBON FILM +-5%	220K OHM 1/4W
: R313	21-226473000-00	RESISTOR CARBON FILM +-5%	470K OHM 1/4W
: R48,49	21-226823000-00	RESISTOR CARBON FILM +-5%	820K OHM 1/4W
: R50,51,52,53	21-227103000-00	RESISTOR CARBON FILM +-5%	1M OHM 1/4W
: C6,379	25-115060300-00	CERAMIC CAP DISC TYPE +-0.25PF	5PF 50V
: C372	25-121210300-00	CERAMIC CAP DISC TYPE +-5%	12PF 50V
: C9	25-121510300-00	CERAMIC CAP DISC TYPE +-5%	15PF 50V
: C1	25-123010300-00	CERAMIC CAP DISC TYPE +-5%	30PF 50V
: C2	25-123310300-00	CERAMIC CAP DISC TYPE +-5%	33PF 50V
: C3,	25-124710300-00	CERAMIC CAP DISC TYPE +-5%	47PF 50V
rand Name : "AKAI AJ-C2500"	0-V2L000115-00	Description: AM/FM ST.CASS RADIO(PLL	pecification: 230V CE APP (UNIT: SIL.+
: C21,30,56,57,141,142,190,191	25-131010300-00	CERAMIC CAP DISC TYPE +-5%	100PF 50V
: C29	25-133910300-00	CERAMIC CAP DISC TYPE +-5%	390PF 50V
: C4,7,10,174,175	25-141040300-00	CERAMIC CAP DISC TYPE +80%-20%	0.001UF 50V
: C22	25-145040300-00	CERAMIC CAP DISC TYPE +80%-20%	0.005UF 50V
: C8,13,20,33,35,36,50	25-151040300-00	CERAMIC CAP DISC TYPE +80%-20%	0.01 UF 50V
C18,130,193,366			
: C5,32,101,106,107,119,90	25-152040300-00	CERAMIC CAP DISC TYPE +80%-20%	0.02UF 50V
: T1 GND TO T2 GND	25-154740300-00	CERAMIC CAP DISC TYPE +80%-20%	0.047UF 50V
: C15,16,25,138,159,370,371,373,376,	25-161040300-00	CERAMIC CAP DISC TYPE +80%-20%	0.1 UF 50V
: C11	25-221010300-00	CERAMIC CAP DISE TYPE (NPO)	10PF 50V +-5%
: C37,38	25-341510300-00	MYLAR CAP +-5%	0.0015UF 50V
: C27,307,308,329,333,316,317,132,13	25-342210300-00	MYLAR CAP +-5%	0.0022UF 50V
: C133,134,135,136	25-343310300-00	MYLAR CAP +-5%	0.0033UF 50V
: C334	25-344710300-00	MYLAR CAP +-5%	0.0047UF 50V
: C313,314	25-352210300-00	MYLAR CAP +-5%	0.022UF 50V
	0-V2L000115-00	Description: AM/FM ST.CASS RADIO(PLL	
: C145	25-354710300-00	MYLAR CAP +-5%	0.047 UF 50V
: C28,51,52,53,54	25-355810300-00	MYLAR CAP +-5%	0.068UF 50V
: C23,24	25-358210300-00	MYLAR CAP +-5%	0.082UF 50V
: C375,374,170,169	25-361010300-00	MYLAR CAP +-5%	0.1UF 50V
: C60,62,66,147	26-321030500-00	ELECT CAP (RADIAL)	1UF 50V +-20% (NORMAL SIZE)
C148,177,178,305,306,315			
: C46,48,58,59,143,144,152,153	26-3210305A0-02	ELECT CAP (RADIAL) "HI-Q" (LL)	1UF 50V +-20% I<0.01CV
: C64,CW1	26-322230500-00	ELECT CAP (RADIAL)	2.2UF 50V +-20% (NORMAL SIZE)
: C146,369	26-323330500-00	ELECT CAP (RADIAL)	3.3UF 50V +-20% (NORMAL SIZE)
: C63,150,157,309,310,42,43,149	26-324730500-00	ELECT CAP (RADIAL)	4.7UF 50V +-20% (NORMAL SIZE)
: C17,19,26,41,40,44,140,156	26-331030300-00	ELECT CAP (RADIAL)	10UF 25V +-20% (NORMAL SIZE)
: C173,311,104,176	26-332230300-00	ELECT CAP (RADIAL)	22UF 25V +-20% (NORMAL SIZE)
: C162	26-334730300-00	ELECT CAP (RADIAL)	47UF 25V +-20% (NORMAL SIZE)
: C139,312,45	26-341030100-00	ELECT CAP (RADIAL)	100UF 10V +-20% (NORMAL SIZE)
C12			
: C160,161,168,163,164	26-341030300-00	ELECT CAP (RADIAL)	100UF 25V +-20% (NORMAL SIZE)
rand Name : "AKAI AJ-C2500"	0-V2L000115-00	Description: AM/FM ST.CASS RADIO(PLL	pecification: 230V CE APP (UNIT: SIL.+
: C49,34,47,102,105,155,192,301,302,	26-342230200-00	ELECT CAP (RADIAL)	220UF 16V +-20% (NORMAL SIZE)
C154,21			
: C55	26-344730100-00	ELECT CAP (RADIAL)	470UF 10V +-20% (NORMAL SIZE)
: C103,165,166	26-351030200-00	ELECT CAP (RADIAL)	1000UF 16V +-20% (NORMAL SIZE)
: C111	26-353330300-00	ELECT CAP (RADIAL)	3300UF 25V +-20% NORMAL
: C T1,2,3,4	28-110110100-00	TRIMMER	DIA 3MM 10PF (SINGLE)
	31-210705100-01	CERAMIC FILTER (MURATA)	SFE10.7MA5-A (RED) (3PIN)
: CF2	31-215003015-01	CERAMIC FILTER (MURATA)	SFU450B
: CF4	31-345603023 01	CERAMIC RESONATOR (MURATA)	CSB 456F20

: CF3,	31-610705022-01	DISCRIMINATOR FILTER (MURATA)	CDA 10.7MG-33 (2 PIN)
	32-211801100-00	FERRITE BAR	SIZE:10x80mm
: L4	38-202510005-00	FM COIL	5 x 2.5T (0.8mm)
: L1	38-203510004-00	FM COIL	4.5 x 3.5T (0.8mm)
: L2	38-203510005-00	FM COIL	5 x 3.5T (0.8mm)
	38-206820000-00	AM COIL M7 AD/10.5mm	68:20T B.R.G=100mm W=130mm
: 7,6	38-301001000-30	AXIAL INDUCTORS (EC-36 TYPE)	10UH +/-10% (I <sub>dc</sub> max:500 mA)
rand Name : "AKAI AJ-C2500"	0-V2L000115-00	Description: AM/FM ST.CASS RADIO(PLL	pecification: 230V CE APP (UNIT:SIL,+
: T3	40-0000660R2-18	I.F.T.10mm (KONI)	660R (RED)
: T2	40-0000A0494-18	I.F.T. 10mm (KONI)	A049 (YELLOW)
: T1	40-000106FP9-18	I.F.T. 10mm (KONI)	106FP (PINK)
: T301	40-621000100-08	I.F.T 10mm (KONI)	#621 (BLACK)
	41-198200300-0V	PUSH SWITCH (COMAX)	PS-82D03-NS(O) (F<200g)
	43-433802005-01	PHONE JACK W/SW (TAI CHUNG)	TC38-020-05-01
: CN3	43-9A2001091-00	WAFER 9 PINS P=2mm 180C	
: CN16,2	43-9A2501021-00	WAFER 2 PINS P=2.5mm 180C	
: CN15	43-9A2501031-00	WAFER 3 PINS P=2.5mm 180C	
: CN17	43-9A2501041-00	WAFER 4 PINS P=2.5mm 180C	
: CN7	43-9A2501071-00	WAFER 7 PINS P=2.5mm 180C	
: CN4	43-9B2001051-00	WAFER 5 PINS P=2mm 90C	
: CN5	43-9B2001131-00	WAFER 13 PINS P=2mm 90C	
: CN1	43-9B2501031-00	WAFER 3 PINS P=2.5mm 90C	
: FOR BATT PCB "+" x15	44-102340110-00	BARE WIRE	dia 0.6mm L=40mm
	44-102440110-0A	BARE WIRE	dia 0.5mm L=40mm
: FOR IC7 GND TO ICPT2253A GND	44-302620204-41	STRAND JUMPER WIRE UL1007	AWG26 4+192+4mm (YELLOW)
: FOR 3V TO 3V	44-302621202-41	STRAND JUMPER WIRE UL1007	AWG26 4+202+4mm (RED)
rand Name : "AKAI AJ-C2500"	0-V2L000115-00	Description: AM/FM ST.CASS RADIO(PLL	pecification: 230V CE APP (UNIT:SIL,+
: FOR AMM COIL	47-301050602-10	UL TUBE	I.D. 1x0.5x60mm
	48-SKCV20001-04	MAIN PCB #SKC-V2	#48-SKCV20001-04
	48-SKCV20124-04	BATT. PCB #SKC-V2	#48-SKCV20124-04
	48-SKCV20224-04	BATT. PCB #SKC-V2	#48-SKCV20224-04
	56-07000K500-00	BAR HOLDER H=22mm AD:10mm	#K5
	58-09KOPEN00-00	CABLE TIE 2.5MMx4" #CV-100	
: L2,4	58-82PR00200-00	SPONGE	10x10x10mm (WHITE)
: FOR BATTERY PCB "-" x4	61-26SKCV200-01	BATTERY SPRING (-)	#SKC-V2 (DIA 1.0mm)
	61-484000R01-00	PLATE HEATSINK	
: FOR IC 7	61-48SKCV200-00	HEAT SINK	#SKC-V2 (19+65+19)x34x2.0mm
: FOR IC7	66-522300931-03	SCREW	BTTB 3.0x8.0 MC
	66-760200451-00	EYELET	2x4mm
	01-V2L000005-10	CONTROL & DIS BOARD ASS'Y	#SKC-V2L AM/FM (VDE VERSION)
: Q201,202,203,204	11-9014C0001-00	TRANSISTOR	9014C
: LED1	13-1MGB31D00-31	LED (MICRO) (GREEN)	MGB31D DIA:3.15mm L=27.9mm
: LED2	13-1MSC32D00-31	LED (MICRO) (RED)	MSC32D DIA:2.94mm
	13-LCDSKCV21-24	LCD DISPLAY (FORDIC)	A82063A 12 O'CLOCK
rand Name : "AKAI AJ-C2500"	0-V2L000115-00	Description: AM/FM ST.CASS RADIO(PLL	pecification: 230V CE APP (UNIT:SIL,+
: D221,204.FUNC.207,210,209,208,220,225,219,227,201,205,206,TO T1,A0	15-0001N4148-00	SWITCHING DIODE	1N4148 (LEAD TYPE)
: IC201	16-TC9314F37-09	IC (TOSHIBA)	TC9314F-037KS
: U203	17-57138V400-02	OPTIC SENSER (ROHM)	RPM7138-V4
: R205	21-212473000-00	RESISTOR CARBON FILM +5%	47 OHM 1/6W
: R217	21-214183000-00	RESISTOR CARBON FILM +5%	1.8K OHM 1/6W
: R207	21-214223000-00	RESISTOR CARBON FILM +5%	2.2K OHM 1/6W
: R204	21-214273000-00	RESISTOR CARBON FILM +5%	2.7K OHM 1/6W
: R219	21-214473000-00	RESISTOR CARBON FILM +5%	4.7K OHM 1/6W
: R223,222	21-215103000-00	RESISTOR CARBON FILM +5%	10K OHM 1/6W
: R224	21-215153000-00	RESISTOR CARBON FILM +5%	15K OHM 1/6W
: R220,U203	21-215223000-00	RESISTOR CARBON FILM +5%	22K OHM 1/6W
: R203,206	21-215473000-00	RESISTOR CARBON FILM +5%	47K OHM 1/6W
: R218	21-217103000-00	RESISTOR CARBON FILM +5%	1M OHM 1/6W
: R221	21-217223000-00	RESISTOR CARBON FILM +5%	2.2M OHM 1/6W
rand Name : "AKAI AJ-C2500"	0-V2L000115-00	Description: AM/FM ST.CASS RADIO(PLL	pecification: 230V CE APP (UNIT:SIL,+
: C207,208,209	25-133310300-00	CERAMIC CAP DISC TYPE +5%	330PF 50V
: C210,222	25-151040300-00	CERAMIC CAP DISC TYPE +80%-20%	0.01 UF 50V
: C206,214,223,225	25-161040300-00	CERAMIC CAP DISC TYPE +80%-20%	0.1 UF 50V
: C201,202	25-222510300-00	CERAMIC CAP DISC TYPE (NPO)	25PF 50V +5%
: C224	25-662210200-00	MONO CAP +/-20%	0.22UF 25V
: C211,212,220,221	26-321030501-09	ELECT CAP (RADIAL) "MITA"	1UF 50V +/-20% (4x7mm)
: C204	26-334730101-00	ELECT CAP (RADIAL)	47UF 10V +/-20% (4x7mm)
: C205	26-342230101-00	ELECT CAP (RADIAL)	220UF 10V +/-20% (DIA6x8mm)
: X201	31-175004030-00	CRYSTAL (FARGO)	75KHz +/-30PPM AT 25C +/-3C
: SW201,202,206,209,210	41-151100000-0V	TACT SWITCH (COMAX)	RS-014RB1 (H=5mm F=180+-30gf)
SW217,218,219,220,221			
	44-102340110-0A	BARE WIRE	dia 0.5mm L=40mm
: FOR A TO B	44-302610200-41	5STRAND JUMPER WIRE UL1007	4+92+4mm (BLACK) #AWG-26
: CN204,210	44-512830259-E4	9P WIRE(28UL15/1) W/SINGLE	HOUSING(2mm) L=300mm
: FOR CN213 TO CN212	44-512832263-E4	13P WIRE(28UL15/1) W/SINGLE	HOUSING(2mm) L=320mm

rand Name : "AKAI AJ-C2500"	0-V2L000115-00	Description: AM/FM ST.CASS RADIO(PLL	pecification: 230V CE APP (UNIT:SIL.+
: CN205	44-522620253-E1	3P WIRE(#26UL1007) W/SINGLE	HOUSING(2.5mm) L=200mm
: CN202	44-522632255-E1	5P WIRE(#26UL1007) W/SINGLE	HOUSING(2.5mm) L=320mm
: FM1	45-032632226-02	2P COAXIAL CABLE #26 W/SINGLE	HOUSING(2.5) L=320mm
: J227,250	47-301050152-10	UL TUBE	I.D. 1x0.5x15mm
	48-SKCV20005-01	CONTROL PCB #SKC-V2	#48-SKCV20005-01
	02-V2L000115-01	CASING ASS'Y 230V	#SKC-V2L (SPK GRILL:BLUE)
	18-2575V2000-17	TRANSFORMER (SUNSTRONG) EI-57	SIL57T990022 W/FUSE 230V VDE
	19-820551255-32	SPEAKER (G.WELL.)	4"3.2 OHM 7W W/BLK CAP. M/65mm
	19-821051032-08	TWEETER (SAMCO #5019A02)	2"5W 8 OHM W/BLK CAP
: FOR M "+" TO M "-"	26-334730300-00	ELECT CAP (RADIAL)	47UF 25V +/-20% (NORMAL SIZE)
: FOR BIG SP. TO SMALL SP. x2	26-622230500-00	NP ELECT CAP (RADIAL)	2.2UF 50V +/-20% (NORMAL SIZE)
	32-100000008-02	ANTENNA #4B6158	(158-600mm) HEAD: DIA 6.5mm
: FOR ANT WIRE	32-335130500-00	FERRITE CORES	3.5x1.35x5mm BP53.CP22
	32-516300500-00	MAGNET (#M163050)	16x30x5mm (400g-430g)
: FOR CD POWER	41-061100000-0L	LEAF SWITCH (WELTRONICS)	MIC-MSW-2526GMVE
	43-520115020-01	AC SOCKET (TAI CHUNG)	TC08-115-02 (VDE APP)
	44-302221202-41	STRAND JUMPER WIRE UL1007	AWG22 4+202+4mm (RED)
rand Name : "AKAI AJ-C2500"	0-V2L000115-00	Description: AM/FM ST.CASS RADIO(PLL	pecification: 230V CE APP (UNIT:SIL.+
: FOR BATTERY PLATE	44-302603000-41	JUMPER WIRE UL 1007 AWG-26	4+22+4mm (BLACK)
: FOR 8OHM 5W SPEAKER GND TO SPEAKER	44-302606000-41	STRAND WIRE UL1007	AWG26 4+52+4mm (BLACK)
: FOR M- TO LEAF SW	44-302615204-41	STRAND JUMPER WIRE UL1007	AWG26 4+142+4mm (YELLOW)
: FOR DECK CONTACT PLATE	44-302618200-41	STRAND JUMPER WIRE UL1007	AWG26 4+172+4mm (BLACK)
: FOR 7W 30HM SPEAKER TO 5W 8OHM SPE	44-302621200-41	STRAND JUMPER WIRE UL1007	AWG26 4+202+4mm (BLACK)
: FOR 7W 30HM SPEAKER TO E.CAP 2.2UF	44-302621202-41	STRAND JUMPER WIRE UL1007	AWG26 4+202+4mm (RED)
: FOR FM ANT	44-302625202-41	STRAND JUMPER WIRE UL1007	AWG26 4+242+4mm (RED)
: FOR CD MECH	44-512818258-N4	6P WIRE(#28UL1571) W/BOTH	HOUSING(2mm) L=180mm(SPECIAL)
: FOR CD MECHA	44-512818258-C4	8P WIRE(#28UL1571) W/BOTH	HOUSING(2mm) L=180mm
: FOR CD MECHA	44-512819258-N4	8P WIRE(#28UL1571) W/BOTH	HOUSING(2mm) L=190mm
: FOR LEAF SWITCH	44-513014252-00	2P WIRE(#30UL1007) W/SINGLE	HOUSING(2mm) L=140mm
: FOR AC SOCKET, 3V "+", 3V "-"	44-522220253-E1	3P WIRE(UL1007 #22) W/SINGLE	HOUSING(2.5mm) L=200/320mm *
: FOR SPEAKER	44-522266254-G1	4P WIRE(#22 UL1007) W/SINGLE	HOUSING(2.5mm) L=660/420mm
: FOR TAPE DECK	44-522638257-G1	7P WIRE(#26UL1007) W/SINGLE	HOUSING(2.5mm) L=380/340mm
	46-240320100-05	GLASS FUSE 5x20mm (BUSSMANN)	T4.0A/250V S506
rand Name : "AKAI AJ-C2500"	0-V2L000115-00	Description: AM/FM ST.CASS RADIO(PLL	pecification: 230V CE APP (UNIT:SIL.+
: FOR 8OHM 5W SPK "+" x2	47-301050172-10	UL TUBE	I.D 1x0.5x17mm
: FOR SPK.x0.5	47-302050102-10	UL TUBE	I.D. 2x0.5x10mm
: FOR DIGITAL OUTPUT JACK	57-08SKCV201-07	MASK PLATE -1 (SIL.)	#SKC-V2 (27x23x0.5mm)
: FOR AC VOLTAGE SELECTOR	57-08SKCV211-07	PVC PLATE (SIL)	#SKC-V2 (17.8x24.8x0.5mm)
	58-090835000-00	CABLE TIE 5" (CHAIN)	#08350
	58-190DS9500-00	FELT (W/TAPE 90x5mm)	90x5x0.5mm
: FOR FRONT CABINET	58-19AE33902-00	FELT 16x16x0.5mm #AE-339	(W/TAPE 16x16mm)
	58-26D77A000-00	RUBBER DIA6x1mm (TAPEx1)	#D-77A
	58-26SKCV200-00	HARD RUBBER FOOT	DIA 16x3.5mm W/TAPE ONE SIDE
	58-51SCD6601-00	BATTERY RIBBON	W=8 +/-0.5mm L=360mm (BLACK)
	58-580033920-00	RUBBER 25x15x12mm	(W/TAPE 25x15)
	58-61AC13000-00	SHOCK ABSORBER (ORANGE)	AC130-80C
	58-61AC13001-00	SHOCK ABSORBER (BROWN)	AC130-80C
: FOR BATTERY DOOR x2	58-82SKCV200-00	SPONGE 55x25x25mm	W/TAPEx1 55x25mm
	58-82SKCV210-00	SPONGE 70x40x10mm (UL APP)	W/TAPEx1 70x40mm
	61-04SKCV200-00	ANTENNA CONTACT PLATE	#SKC-V2 0.2 THK (30x7mm)
	61-11SKCV200-01	TRANS. BRACKET REV1	#SKC-V2 (90x58x1.5mm)
	61-160066000-00	MAGNET CAP TOP 0.5T	#660 (DIA 40mm)
	61-26TX44001-00	BATTERY SPRING (-) (B) #TX-440	
rand Name : "AKAI AJ-C2500"	0-V2L000115-00	Description: AM/FM ST.CASS RADIO(PLL	pecification: 230V CE APP (UNIT:SIL.+
	61-68V300000-00	CD DOOR PLATE	#V3 W/O PRINT
	61-80SKCV200-00	RECORD SHAFT	#SKC-V2 (THK 0.8mm)
: FOR DECK	61-870033140-00	LUG (SOLDERING)	#3314
	61-900002680-00	SPEAKER CLIP	#268
	61-90SKCV200-00	SPEAKER CLIP	#SKC-V2 (THK 1.0mm)
	61-91V2L0061-00	SPEAKER GRILL (L)	#SKC-V2 (BLUE 8182C)
	61-91V2L0161-00	SPEAKER GRILL (R)	#SKC-V2 (BLUE 8182C)
	61-94SKCV200-02	SPRING (1)-CD DOOR	#SKC-V2 (DIA 1.3mm)
	61-94SKCV210-02	SPRING (1) -CD HOOK REV2	#SKC-V2 (DIA 0.35mm)
: CASS DOOR	61-94SKCV220-02	SPRING -CASS DOOR REV2	#SKC-V2 (DIA 0.9mm)
: FOR ANT	66-220300831-00	MACHINE SCREW	MS/BH 3x8
: CD COVER x4	66-421200511-00	SELF-TAPPING SCREW	TA/BH 2x6 (BLACK)
: FOR CD LEAF SW.	66-421201011-00	SELF-TAPPING SCREW	TA/BH 2x10 (BLACK)
: FOR POWER PCB (SWITCH) x3	66-421260831-00	SELF-TAPPING SCREW	TA/BH 2.6x8
: FOR AC JACK x2	66-421261031-00	SELF-TAPPING SCREW	TA/BH 2.6x10
: FOR REAR CABINET	66-421302031-00	SELF-TAPPING SCREW	TA/BH 3x20
rand Name : "AKAI AJ-C2500"	0-V2L000115-00	Description: AM/FM ST.CASS RADIO(PLL	pecification: 230V CE APP (UNIT:SIL.+
: FOR REAR CABINET x2	66-422301231-00	SELF-TAPPING SCREW	TB/BH 3x12
CD BRACKET TO CD REAR CABINET			
TRANSFORMER x4			
: FOR DISPLAY PCB	66-431261231-00	SELF-TAPPING SCREW	TA/PH 2.6x12

: FOR CD PCB x4 MAIN PCB x7	66-431301031-00	SELF-TAPPING SCREW	TA/PH 3x10
POWER PCB x2			
VOL PCB x1			
FORNT PANELx3 VOL PCB x2			
CASS DOORx1			
: FOR CD DOOR LOCKx1	66-481260831-00	SELF-TAPPING SCREW	TA/WH 2.6x8
: FOR SPEAKER x4 CASS DECK x4	66-481300831-00	SELF-TAPPING SCREW	TA/WH 3x8
GEAR HOLDER x2			
: FOR " x2	66-481301231-00	SELF-TAPPING SCREW	TA/WH 3x12
SPEAKER x6			
: MAGNET TOP x1	66-520200411-00	TAP TITE SCREW	TT/BH 2x4 (BLACK)
: FOR TRANS	66-542400831-00	SCR S-TPG (NEAT)	TT/TH 4x8 (ZIN) HEAD DIA = 9mm
: FOR CD DECK	66-910001721-00	SHOULDER SCREW (#D-1B)	2.5x(10+7)mm HEAD DIA 11mm
: FOR CD DECK SCREW x4	68-012006037-00	METAL WASHER	2x8x0.3mm
: FOR CASS DOOR x2	68-023008042-00	FIBRE WASHER	3x8x0.4mm
: FOR CD PCB TO CD BASE x4	68-023008082-00	FIBRE WASHER	3.0x8.0x0.8mm
rand Name : "AKAI AJ-C2500"	0-V2L000115-00	Description: AM/FM ST.CASS RADIO(PLL	pecification: 230V CE APP (UNIT:SIL.+
	71-27VC74900-26	V/CASS DECK (MANTECH)	MT802VC749 M:EG530AD2B H:KS211
	71-70CMSA30U-00	CD MECHANISM (SAMSUNG)	#CMS-A30A6U TOP LOADING
	77-400V20002-00	FUSE CAUTION LABEL "4A 250V"	59x27mm
	03-V2L000115-00	PACKING ASS'Y 230V AM/FM	#SKC-V2L "AKAI"
	45-121830002-01	AC CORD SET VDE APP.6FT (BLK)	MT-11+H03VVH2F2x.75mmSQ+MT-18"
	76-0200V2L00-00	CARTON (2 SETS) A=A	#SKC-V2L (510x285x480mm)
	76-045KCV200-01	POLYFOAM (R) REV1	#SKC-V2 W/RECYCLE
	76-055KCV200-01	POLYFOAM (L) REV1	#SKC-V2 W/RECYCLE
: FOR UNIT	76-5200V2000-00	POLYBAG 02PE-HD 16.5"x25.5"	W/WARN(E/S/F) & REC. /4 HOLE
: FOR I/B & WARRANTY CARD & AC CORD	76-5200V2001-00	POLYBAG 02PE-HD 7"x10"x0.03mm	W/WARN(E/S/F) & REC. /4 HOLE "
	76-550CD1200-00	POLY SHEET	1000x1500x0.025mm
	77-01V2L0000-00	GIFT BOX	#SKC-V2L "AKAI AJ-C2500"
	77-060000001-00	Q A PASSED LABEL	
	77-070000001-00	Q C PASSED LABEL	
	77-090CD1200-00	SERIAL NO. LABEL (5x50mm)	#CD-12
: FOR UNIT x1: GIFT BOX x1: CARTON x	77-100X28000-00	'MADE IN CHINA' LABEL	#X-2800 (20x3mm)
	77-1X0000024-00	CD TRAY CARD (3 LANGUAGE)	DIA121xDIA16x0.6mm PRINT:RED
	77-20V2L0000-00	INSTRUCTION MANUAL (E/F/NL)	#SKC-V2L "AKAI AJ-C2500"
	77-29NSX2040-00	CAUTION LABEL (3 IN 1)	X2000(344A2553-SF01/DG01/EF01)
	77-31V2L0000-00	RATING LABEL	#SKC-V2L "AKAI AJ-C2500"
: FOR CARTON	77-75X280004-00	"E1" LABEL DIA:40mm	#X-2800 (BLUE)
rand Name : "AKAI AJ-C2500"	0-V2L000115-00	Description: AM/FM ST.CASS RADIO(PLL	pecification: 230V CE APP (UNIT:SIL.+
	77-810000001-00	LASER BEAM LABEL (TRIGONAL)	PRINT:YELLOW/BLACK
	77-81NSX2000-00	CLASS 1 LABEL (5 LAN.)	#NSX-2001 (W/344A2555-0001)
	77-90SKCV200-00	BATTERY WARNING LABEL 70x22mm	#SKC-V2 *
	04-V2L000100-00	INDIRECT MATERIAL	#SKC-V2L (PCB)
	79-220101030-00	OIL CLOTH TUBE	1.DIA 1mm (S/N:P29)
	79-290306330-00	HIGH TEMPERATURE MASKING TAPE	W=1/4" (S/N:A52)
	79-290312730-00	HIGH TEMPERATURE MASKING TAPE	W=1/2" (S/N:A53)
	79-290325430-00	HIGH TEMPERATURE MASKING TAPE	W=1" (S/N:A51)
	79-310112730-00	THREAD SEAL TAPE (3M)	W=1/2" (S/N:A32)
	79-460101030-00	SOLDER WIRE 50%	DIA 1.0mm (S/N:B7)
	79-480105020-00	SOLDER BAR	50% (S/N:B1)
	79-480206320-00	SOLDER BAR	63% (S/N:B2)
	79-510105030-00	HEATSINK GREASE	(S/N:B22)
	79-650100000-00	HOTMELT STICK	DIA11x30mm(30g) (S/N:B57)
	79-680203530-00	GLUE (YELLOW)	#BY-883A (S/N:B26)
	79-680901030-00	GLUE (YELLOW)	#1603(UL) (S/N:B23)
	79-681101030-00	GLUE (RED)	#SL-515 (S/N:B28)
	79-730201540-00	THINNER	#600 (S/N:B50)
	79-730502040-00	SOLVENTS	#880B (S/N:B48)
	79-730601540-00	FLUX	(S/N:B45)
	06-V2L000115-00	PLASTIC ASSY 230V AM/FM	#SKC-V2L "AKAI"
	56-04V2L00A1-20	FRONT CAB. (HIPS)	#SKC-V2L
rand Name : "AKAI AJ-C2500"	0-V2L000115-00	Description: AM/FM ST.CASS RADIO(PLL	pecification: 230V CE APP (UNIT:SIL.+
	56-05V2L00A1-20	REAR CAB. (HIPS)	#SKC-V2L
	56-06V2L00A1-10	BATTERY DOOR (ABS)	#SKC-V2L
	56-07000V200-BA	CASS BRACKET (ABS)	#SKC-V2
	56-07000V230-BA	DISPLAY BRACKET (ABS)	#SKC-V2
	56-07000V240-BA	CD CLAMPER HOLER (ABS)	#SKC-V2
	56-13V2L00A1-20	CASS DOOR (HIPS)	#SKC-V2L
	56-14V2L00A1-10	CD DOOR (ABS)	#SKC-V2L (SIL.+SMOKY GREY)
	56-160D66P00-BA	MAGNET CAP BOTTOM (ABS.BLACK)	#D66P (DIA 70mm) (SAMSUNG CD)
	56-22000V200-BA	CD BRACKET (ABS)	#SKC-V2
	56-22000V230-BA	BATTERY COVER (ABS)	#SKC-V2
	56-220066000-BA	LASER COVER (ABS)	#660 (BLK) (SAMSUNG CD MECH)
	56-22V2L0001-20	TOP COVER (HIPS) -L	#SKC-V2L (BLUE 8182C)
	56-22V2L0151-20	TOP COVER (HIPS) -R	#SKC-V2L (BLUE 8182C)
	56-240Z24100-BA	GEAR (ABS)	#MCD-Z241 (BLACK)

	56-240Z24110-BA	HOLDER GEAR (ABS)	#MCD-Z241 (BLACK)
	56-41V2L00A1-10	HANDLE (ABS)	#SKC-V2L
	56-41V2L01A1-10	HANDLE COVER (ABS)	#SKC-V2L
	56-53V2L00A1-10	CD KNOB (ABS)	#SKC-V2L
	56-54V2L00A1-10	DBBS KNOB (ABS)	#SKC-V2L
	56-54V2L01A1-10	BAND KNOB (ABS)	#SKC-V2L
	56-54V2L02A1-10	VOL. KNOB (ABS)	#SKC-V2L
	56-54V2L03A1-10	POWER KNOB (ABS)	#SKC-V2L
rand Name : "AKAI AJ-C2500"	0-V2L000115-00	Description: AM/FM ST.CASS RADIO(PLL	pecification: 230V CE APP (UNIT: SIL+
	56-55V2L00A1-10	CASS. KNOBS (ABS) -6 KEYS	#SKC-V2L
	56-57V2L0100-40	DISPLAY LENS (SAN)	#SKC-V2L
	56-57V2L0200-40	CASS. LENS (SAN)	#SKC-V2L
	56-52V200080-10	SPACER (ABS)	#V2 (GEAY)
	56-64000V200-BA	H00K-CD DOOR (ABS)	#SKC-V2
	56-64000V210-BA	H00K HOLDER (ABS)	#SKC-V2
	56-69000V200-BA	PLATE -1 (ABS)	#SKC-V2
	56-69000V210-BA	PLATE -2 (ABS)	#SKC-V2
	56-69V2L00A1-20	FRONT PLATE (HIPS)	#SKC-V2L
	56-81000000-AA	AC SOCKET COVER	