

TAPE

BRAND : CD/TAPE/AM/FM
ISSUE DATE : 2002-9-25
MODEL NO AJ-C3105
TESTED BY :
TAPE TEST

NO	TEST ITEMS	TAPE	UNIT	NOMINAL	LIMIT	MESUREMENT		
						1#	2#	3#
1	TAPE SPEED @ 3000Hz	SST-111N	HZ	3000	+3/-2 %			
2	WOW & FLUTTER (WRMS) A CASS/B CASS	SST-111N	%	0.25	<0.4			
3	POWER OUTOUT 10% THD	STT-112N	W	2	1.9			
4	MAX POWER OUTPUT	STT-112N	W	2.2	2			
5	PLAY S/N RATIO	STT-112N	dB	45	35>			
6	TAPE DISTORTION THD	STT-118N	%	1.5	<3			
7	TAPE HUM BASS/BOOST at ON @ VOL.MAX.	TAPE	mv	30	60			
8	POWER OUTPUT MIN. VOLUME	STT-112N	mv	1.5	5			
9	CHANNEL BALANCE	STT-112N	dB	1.5	+/-3			
10	SEPARATION L/R	STT-141N	dB	25	23			
11	CROSS TALK	STT-121N	dB	40	30>			
12	EARPHONE POWER OUTPUT 10%THD at 32ohm Load	STT-112N	mw	20	15			
13	FALLOUT Operating VOLTAGE (AC)	AC.220V	V	180	190			
14	FALLOUT Operating VOLTAGE (DC)	DC.12V	V	8.4	9			
15	FREQUENCY RESPONSE	125HZ	STT-257	dB	-2	+/-3		
16		1KHZ	STT-257	dB	0	+/-3		
17		6.3KHZ	STT-257	dB	-3	-5		
18	Dubbing Level Diff	STT-112N 1KHZ=0dB	STT-121N	dB	0	+/-3		
19		FM=60dB Mod :DEV75KHZ	FM75KHZ	dB	0	+/-3		
20		CD 1KHZ=0dB	1K=0dB	dB	+2	+/-3		

NO.	TEST ITEMS	FREQ.	UNIT	NOMINAL	LIMIT	MESUREMENT		
	RECOD FREP RESPONSE							
21	CHANNEL BALANCE	C-60	dB	0	+/-3			
22	ERASE RATIO S/N OFF MODULATION	C-60	dB	25	22>			
23	RECORDING PLAYBACK LEVEL at 1k=-10db	CD	dB	+3	+5			
24	RECORDING DISTORTION at 1k=0db LEVEL	CD	%	6	8			

SHEET : 1 of 5

FM

BRAND : CD/TAPE/AM/FMISSUE DATE : 2002-9-25MODEL NO : AJ-C3105

TESTED BY : _____

REFERENCE	MOD.FREQ.	DEVIATION	SUPPLY VOLTAGE	LOAD	REF. O/P
	1KHz	22.5KHz	AC:120V	4ohm	
			DC 12V		50mW

FM ITEMS

NO.	TEST ITEMS	FREQ.	UNIT	NOMINAL	LIMIT	MEASUREMENT		
						1#	2#	3#
1	TUNING RANGE	LOW	MHz	87.5	+/-0.3			
		HIGH	MHz	108.5	+/-0.5			
2	INTERMEDIATE FREQUENCY		MHz	10.7	+/-0.3			
3	MAX SENSITIVITY	@ 90 MHz	dBu	18	22			
		@ 98 MHz	dBu	18	22			
		@ 106MHz	dBu	18	22			
4	SENS.FOR 30dB S/N	@ 90 MHz	dBu	20	26			
		@ 98 MHz	dBu	20	26			
		@ 106MHz	dBu	20	26			
5	S/N RATIO @ 1mV INPUT	@ 98 MHz	dB	55	50			
6	IF REJECTION	@ 90 MHz	dB	80	70			
7	IMAGE REJECTION at 2xIF	@ 106MHz	dB	30	25			
8	3dB LIMITING SENS. INPUT.60dB	@ 98 MHz	dB	18	22			
9	AFC HOLDING RANGE (-3dB) INPUT.60dB	@ 98 MHz	KHz	+/-200	+/-100			
10	SELECTIVITY +/-300KHz	@ 98 MHz	dB	20	15			
11	AM SUPPRESSION @ 30% MOD/AM	@ 98 MHz	dB	35	30			
12	DISTORTION @ DEV 22.5KHz 60dB INPUT	@ 98 MHz	%	1	2			
13	FREQ.RESPONSE.-6dB W/O EMPHASIS	LOW	@ 98 MHz	Hz	80	150		
		HIGH	@ 98 MHz	KHz	3.5	3		
14	POWER OUTPUT @ 10% THD at 75khz%	@ 98 MHz	W	2	1.9			
15	MAX POWER OUTPUT at 75KHZ%	@ 98 MHz	W	2.2	2			
16	FALLOUT Operating VOLTAGE (AC)	@ 98 MHz	V	180	190			
17	FALLOUT Operating VOLTAGE (DC)	@ 98 MHz	V	8.4	9			
18	POWER OUTPUT VOLUME, MIN	@ 98 MHz	mv	1.5	3			

SHEET : 2 of 5

FM-ST

BRAND : CD/TAPE/AM/FM
 MODEL : AJ-C3105

ISSUE DATE : 2002-9-25
 TESTED BY : _____

FM.STEREO

CONDITIONS	MOD.FREQ.	DEVIATION		SUPPLY VOLTAGE	LOAD	REFERENCE
		MONO	STEREO	AC: 120V	(OHM)	OUTPUT
	1KHz	22.5KHz	75KHz	DC 12V	4ohm	50mW

NO.	TEST ITEMS	FREQ.	UNIT	NOMINAL	LIMIT	MEASUREMENT			
						1#	2#	3#	
1	STEREO SEPARATION DEV 75KHZ	60dB INPUT LCH	@ 98MHz	dB	28	>22			
		60dB INPUT RCH	@ 98MHz	dB	26	>22			
2	STEREO INDICATOR SENSITIVITY	@ 98MHz	dB	18	<26				
3	DISTORTION @ 60dB INPUT 75khz	@ 98MHz	%	1.5	<5				
4	CHANNEL BALANCE	@ 98MHz	dB	1	+/-3				

REMARKS: L + R=45% , L - R=45% PILOT=10%

AM

BRAND : CD/TAPE/AM/FM

ISSUE DATE : 2002-9-25

MODEL NO : AJ-C3105

TESTED BY :

REFERENCE	MOD. %	DENIATION	SUPPLY VOLTAGE	LOAD	MOD.FREQ.
	30%	1KHZ	AC:120V	4ohm	
			DC 12V		50mW

AM (MW)

REF. O/P

NO.	TEST ITEMS	FREQ.	UNIT	NOMINAL	LIMIT	MEASUREMENT		
						1#	2#	3#
1	TUNING RANGE	LOW	KHz	520	+/-10			
		HIGH	KHz	1720	+/-20			
2	INTERMEDIATE FREQUENCY		KHz	455	+/-5			
3	MAX SENSITIVITY	@ 600 KHz	dB/m	50	56			
		@ 1000KHz	dB/m	50	56			
		@ 1400KHz	dB/m	50	58			
4	SENS.FOR 20dB S/N	@ 600 KHz	dB/m	56	62			
		@ 1000KHz	dB/m	56	62			
		@ 1400KHz	dB/m	56	62			
5	S/N RATIO at INPUT (120dB) MOD.30%	@ 1000KHz	dB	40	35			
6	DISTORTION at INPUT,120dB	@ 1000KHz	%	2	5			
7	IF REJECTION	@ 600 KHz	dB	60	50			
8	IMAGE REJECTION at 2xIF	@ 1400KHz	dB	40	35			
9	TRACKING ERROR at 20dB S/N	@ 1000KHz	dB	2	5			
10	AGC F.O.M at, -10dB INPUT,120dB	@ 1000KHz	dB	40	30			
11	SELECTIVITY at 10KHz	@ 1000KHz	dB	18	15			
12	FREQ.RESPONSE. at 6dB	LOW	@ 1000KHz	Hz	100	150		
13		HIGH	@ 1000KHz	KHz	2.2	2		
14	POWER OUTPUT @ 10% THD	@ 1000KHz	W	2	1.9			
15	MAX POWER OUTPUT @ 120dB,MOD.80%	@ 1000KHz	W	2.2	2			
16	FALLOUT Operating VOLTAGE (AC)	@ 1000KHz	V	180	190			
17	FALLOUT Operating VOLTAGE (DC)	@ 1000KHz	V	8.4	9			
18	MIN POWER OUTPUT VOLUME .MIN	@ 1000KHz	mV	1.5	3			

SHEET : 4 of 5

CD

BRAND : CD/TAPE/AM/FM

ISSUE DATE : 2002-9-25

MODEL NO : AJ-C3105

TESTED BY :

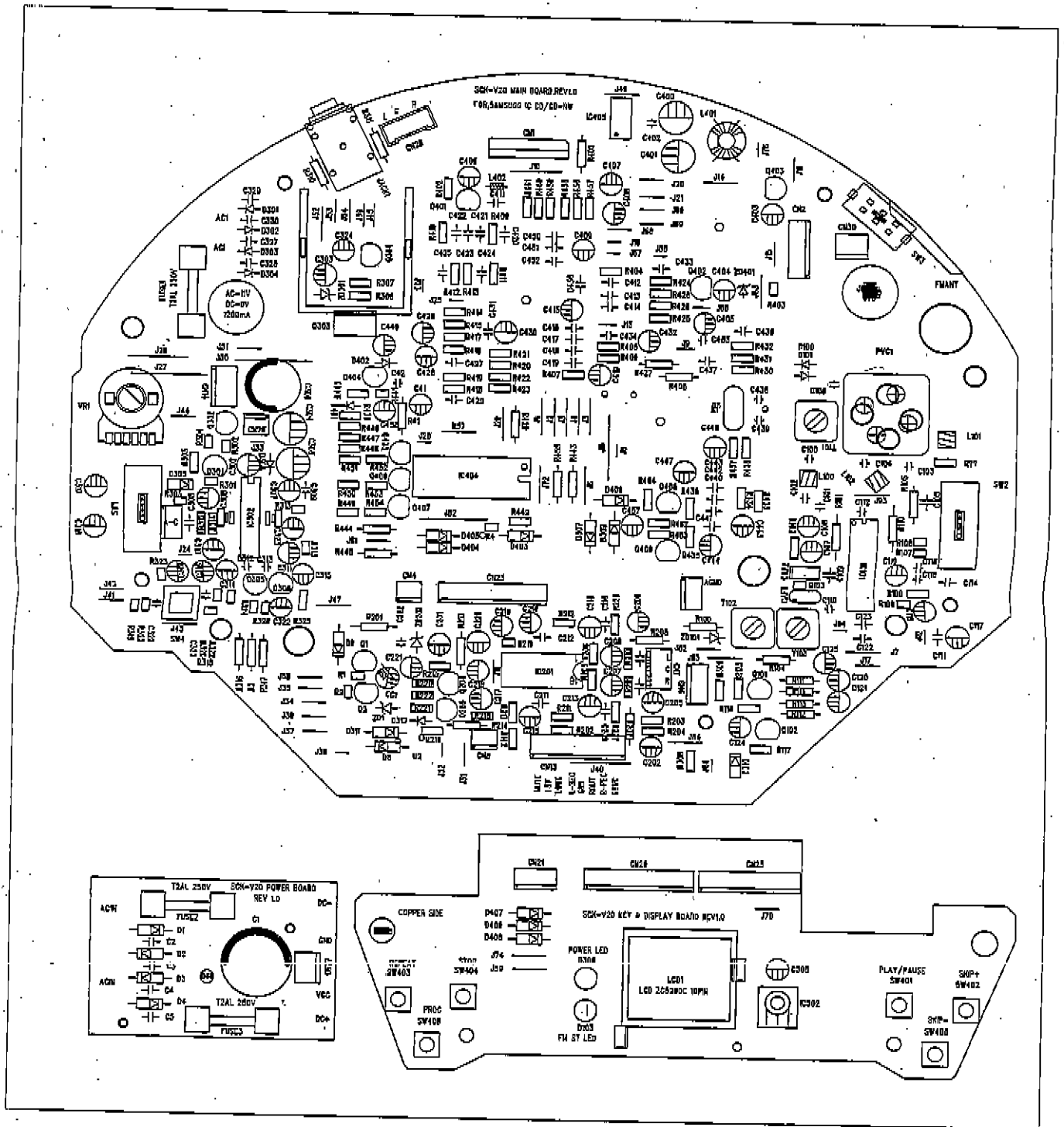
CD

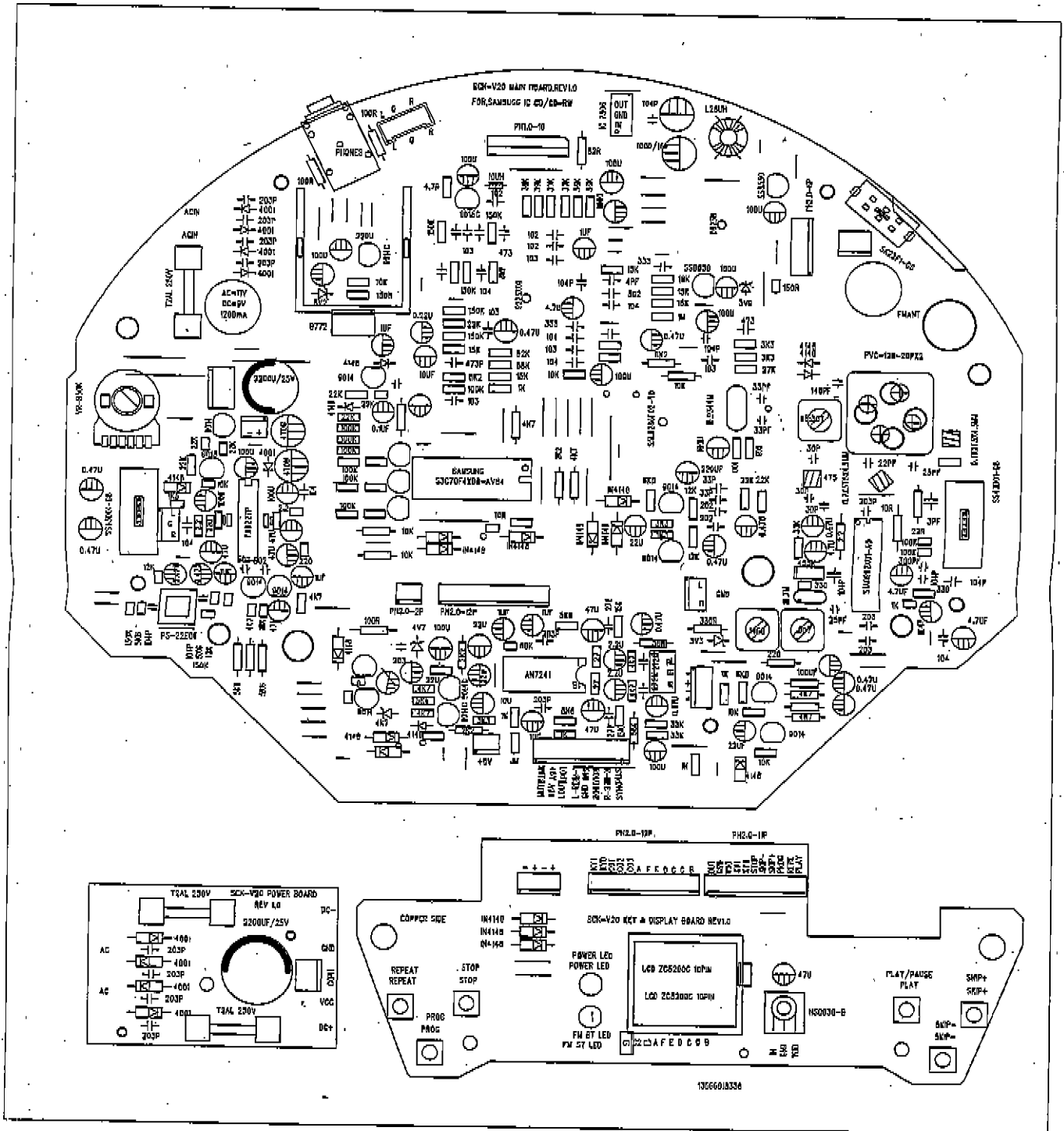
ITEM	TEST ITEMS	UNIT	NOR.	LIMIT	TRUE		
					1#	2#	3#
1	FREQUENCY RESPONSE -4dB (1kHz=0dB)	Hz	60HZ-20K	100-18K			
2	CHANNEL SEPARATION 1KHz (0dB) L/R	dB	40	32			
3	SIGNAL TO NOISE RATIO (S/N)	dB	50	42			
4	HARMONIC DISTORTION THD 1KHz 0dB	%	0.5	1.0			
5	CHANNEL BALANCE	dB	0.5	1.0			
6	HUM & NOISE VOL.MAX A.BEX TEST (TCD-781)ON=29#	mv	2	4			
7	FINGERPRINTS (PHILIPS 444A)	um	75	65			
8	ECCENTRICITY (A.BEX TEST TCD-714)	um	280	140			
9	INTERRUPTION (PHILIPS 444A)	mm	1.0	0.8			
10	BLACK DOT (PHILIPS 444A)	mm	0.8	0.6			
11	Vertical Deviation (A.BEX TCD-731R/RA)	mm	1.0	0.5			
12	DISTORTION O/P 10% THD CHANNEL (1KHz 0dB TAPE)	W	2	1.9			
13	MAX.OUTPUT POWER CHANNEL (1KHz 0dB TAPE)	W	2.2	2			
14	DROP SUPPLY OPERATION VOLTAGE (DC =12V SUPPLY)	V	8.4	9			
15	DROP SUPPLY OPERATION VOLTAGE (AC =220V)	V	186	190			
16	PLAY TIME (TOC:曲目)	SEC	8	10			

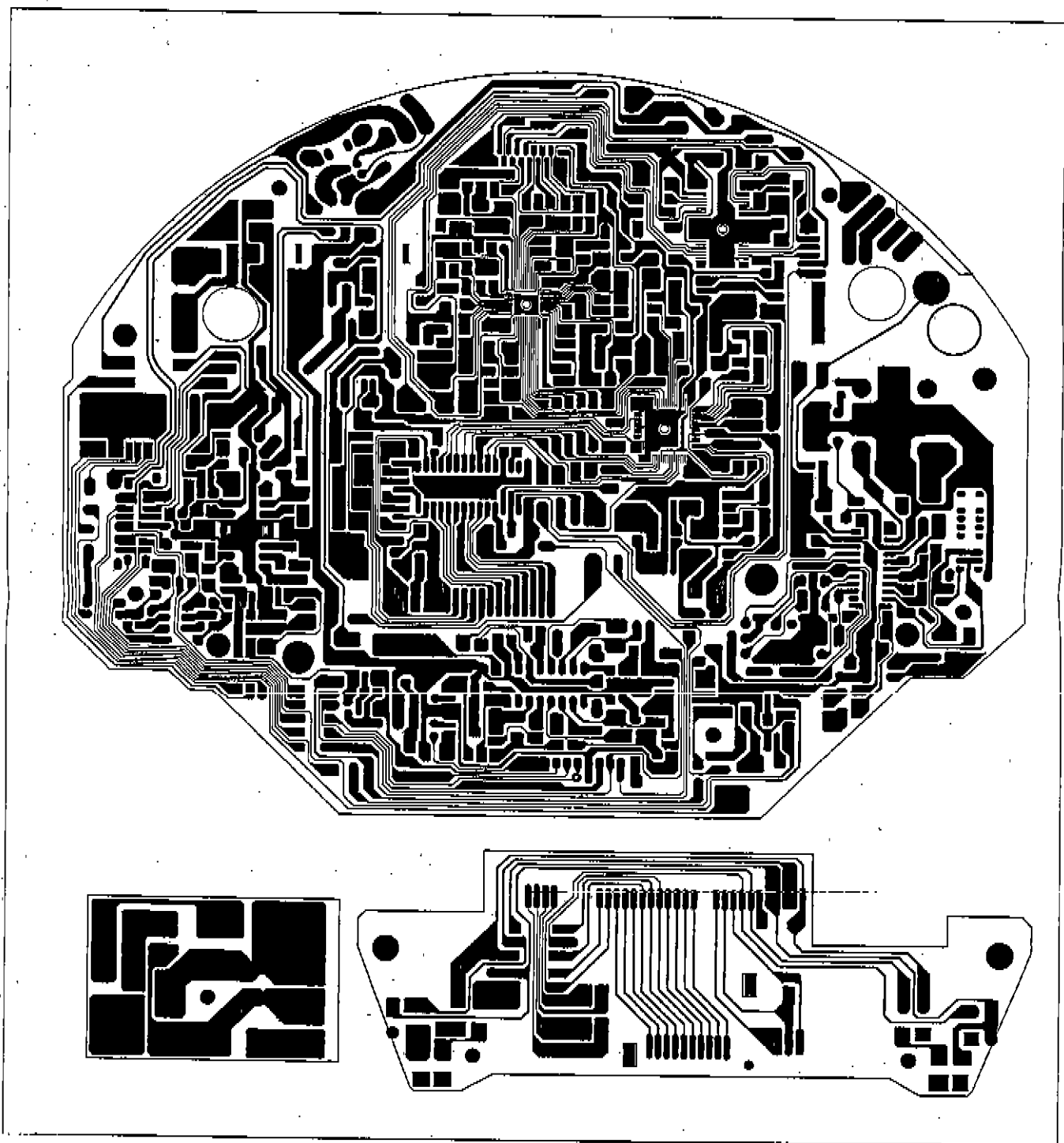
注：所有測試未加CD濾波器

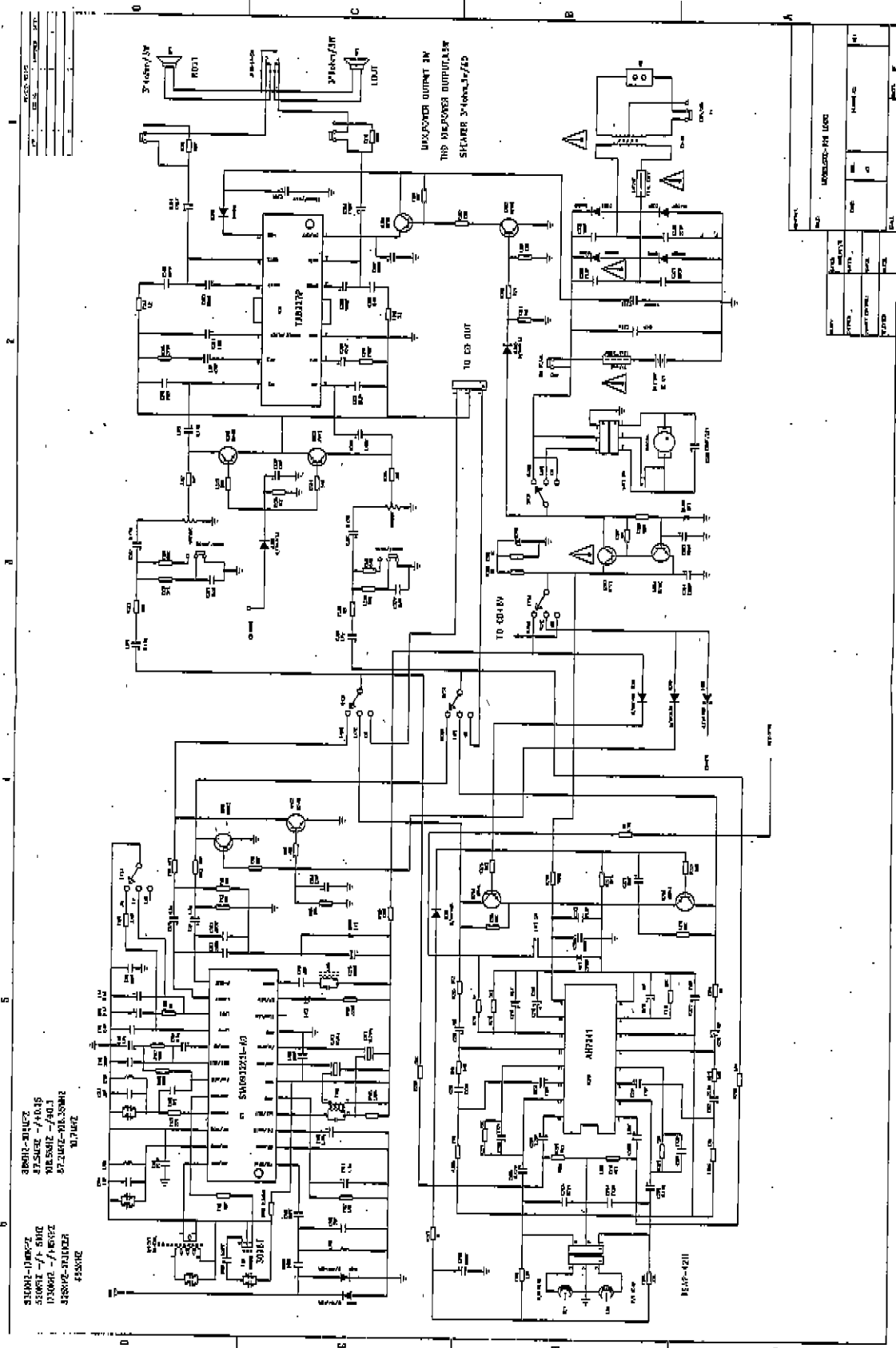
ITEM	TEST	UNIT	NOR	LIMIT	TRUN
BASS	100HZ (BASS/OFF)	db	0	0	
EFFECT	100HZ (BASS/ON)	db	6	5	

SHEET : 5 of 5









BILL OF MATERIAL

MODEL NO: V20-7241IC:2BAND

ISSUED DATE: 25-July-02

CATEGORY: (RM/AM) SYSTEM MDX, 2W REVISION DATE

PART NO	DESCRIPTION	QTY	单价		总价	
			人民币	港币	美元	人民币
ELECTRONIC PARTS						
1	P.C.B F=1.6mm FB or 2D					
2	V20 MAIN BOARD REV:1.0 SIZE=222X170MM, KB=1.6mm	1				
3	KRY BOARD REV:1.0 SZ:158X43 mm KB=1.6mm	1				
4	RECTIFIER BOARD REV:1.0 SZ:158X30mm, KB=1.6mm	1				
5	INTEGRATED CIRCUIT					
6	IC S1A002X01-A01 (SOP) FOR AM FM/OSC + RM/AM IF.	1				IC101
7	IC ANTELL (SOP) FOR PLAY/REC. PART	1				IC201
8	IC TAE22TP (SOP) FOR POWER OUTPUT + R. STEREO	1				IC301
9	IC DP28 (SOP) FOR POWER DRIVER IC - CD PLAYER.	1				IC403
10	IC Z20X01 (QFP) FOR CD RF-AMPLIFIER	1				IC101
11	IC S810288/02-T0 (QFP) FOR CD MCU CONTROLLER	1				IC102
12	IC S1C01FXD8-AV64 (QFP) FOR CD CPU, MCU CONTROLLER	1				IC104
13	TRANSISTOR					
14	TRANSISTOR 1N72 (PNP)	1				Q303
15	TRANSISTOR KTC9015C (NPN)	2				Q301 Q-101
16	TRANSISTOR KTC9014C (NPN)	12				Q-101 Q-102 Q201-Q205 Q301-Q303 Q-108 Q-109 Q-105 Q-104 Q-102
17	TRANSISTOR KTC3150Q (PNP)	1				Q-102
18	TRANSISTOR KSS855 (PNP)	1				Q-103
19						
20						
			Total			

PREPARED BY: DATE: CHECKED BY: DATE: APPROVED BY: DATE:

BILL OF MATERIAL

MODEL NO:V20-7241IC:2BAND

ISSUED DATE:25-July-02

REVISION DATE
 CATEGORY: (EM/AM) SYSTEM BRX, 2W

PART NO	DESCRIPTION	QTY	单价			总价			
			人民币	港币	美元	人民币	港币	美元	
1	DIODE ROUND LED D=3MM (RED), BRIGHTNESS-STANDARD, (红外) 加长脚	1						D306	
2	PIN-LENGTH=5MM, PACKAGE-STANDARD FORM.								
3	ROUND LED D=3MM, BRIGHTNESS-STANDARD, (红外) 加长脚	1						D101	
4	PIN-LENGTH=5MM, PACKAGE-STANDARD FORM.								
5	SILICON SWITCH DIODE 1N4148	18						D312 D307 D319 D411 D402 D413 D414 D466 D407 D408 D409 D3105 D100 D101 D311 R202	
6	RECTIFIER DIODE IN4004 50V5A	5						D303 D302 D303 D304 D311	
7	ZENER DIODE								
8	ZENER DIODE 3V3.05W	1						ZD101	
9	ZENER DIODE 3V9.05W	1						ZD401	
10	ZENER DIODE 4V7.05W	1						ZD201	
11	ZENER DIODE 8V2.05W	1						ZD301	
12	COIL								
13	SPRING COIL ZTS 1P=1.5MM, WD=0.7MM	1						L101	
14	SPRING COIL ZTS 1P=1.5MM, WD=0.7MM	1						L102	
15	SPRING COIL 4T5 1P=1.5MM, WD=0.7MM	1						L103	
16	MIN ANTENNA COIL 12E20T D=0.5MM L=66mm*(14)	1							
17	MIN ANTENNA COIL (9109-B) 极干无磁 SKC-V29	1							
18	ARM 1P 1.68(10MM) YELLOW 中国	1						TH02	
19	ARM 1P 107(10MM) PINK 中国	1						TH03	
20	MIN-CSC 9103(10MM) RED 中国	1						TH01	
						Total			

PREPARED BY: DATE: CHECKED BY: DATE: APPROVED BY: DATE:

BILL OF MATERIAL

MODEL NO:V20-72411C:2BAND

ISSUED DATE:25-July-02

CATEGORY: (EM/AM) SYSTEM MAX, 2W
 REVISION DATE
 CATEGORY: (EM/AM) SYSTEM MAX, 2W

PART NO	DESCRIPTION	QTY	单价			总价		
			人民币	港币	美元	人民币	港币	美元
	CERAMIC FILTER							
1	QUARTZ CRYSTAL 6.034MHZ (2 PINS)	1						XI
2	VA(CERAMIC FILTER 10.7MHZ "FEEDBACK" (RED POINT), (M.F.SI)	1						CAF1
3	IPW=181KHZ(CBL)PACKAGE-STANDARD FORM. (10.7MHZ,3PINS)							
4	AM CERAMIC FILTER 455KHZ (455B=3PINS)	1						CAF2
5	DECK MECHANISM							
6	CD MECHANISM (SAMSUNG,CMS-1E1Y6A0) SOH-AAN (镜头机芯)	1						
7	AUTO-SWICH SINGLE CASSETTE STEREO MECHANISM (PLAY/RECORD) FEELY 直立卡式机芯	1						
8	(HD=TSAP-4211-2FS/&230AN) MOTOR-EG-50AD-2B 12V+DC (带2个叶片开关)							
9	HEAT-SINK (FOR NEC-E773) SIZE=90X25X25MM (铝散热片SCK-V20)	1						
10	HEAT-SINK (FOR IC DVDR20) SIZE=60X11X8.5MM (铝散热片直立式AH-0965用)	1						
11	防辐射绿色40度) GREEN	2						
12	防辐射灰色40度) BLACK	2						
13	AC SOCKET	1						
14	AC POWER CORD	1						
15								
16								
17	电容							
18	CHOKER COIL 10uH	1						L-R12
19								
20								
Total								

PREPARED BY: DATE: CHECKED BY: DATE: APPROVED BY: DATE:

BILL OF MATERIAL

MODEL NO: V20-7241IC: 2BAND

CATEGORY: (FM/AM) SYSTEM MAX, 2W REVISION DATE ISSUED DATE: 25-July-02

PART NO	DESCRIPTION	QTY	单价			总价		
			人民币	港币	美元	人民币	港币	美元
1	RESISTOR 100Y 4.5% (铜电阻)							
2	CARBON FILM RESISTOR 2.20HM, ±0.5% 1/4W	3						R401 R313 R312
3	CARBON FILM RESISTOR 4.7 OHM, ±0.5% 1/4W	1						R402
4	CARBON FILM RESISTOR 10 OHM, ±0.5% 1/4W	1						R110
5	CARBON FILM RESISTOR 22 OHM, ±0.5% 1/4W	1						R105
6	CARBON FILM RESISTOR 27 OHM, ±0.5% 1/4W	2						R205 R206
7	CARBON FILM RESISTOR 42 OHM, ±0.5% 1/4W	1						R401
8	CARBON FILM RESISTOR 100 OHM, ±0.5% 1/4W	4						R310 R311 R437 R207
9	CARBON FILM RESISTOR 1500HM, ±0.5% 1/4W	2						R306 R403
10	CARBON FILM RESISTOR 220 OHM, ±0.5% 1/4W	3						R104 R314 R315
11	CARBON FILM RESISTOR 330 OHM, ±0.5% 1/4W	3						R100 R103 R109
12	CARBON FILM RESISTOR 470 OHM, ±0.5% 1/4W	5						R106 R208 R309 R217 R421
13	CARBON FILM RESISTOR 1K5 OHM, ±0.5% 1/4W	1						R305
14	CARBON FILM RESISTOR 1K8 OHM, ±0.5% 1/4W	1						R408
15	CARBON FILM RESISTOR 2K2 OHM, ±0.5% 1/4W	3						R213 R214 R435
16	CARBON FILM RESISTOR 3K3 OHM, ±0.5% 1/4W	5						R218 R431 R432 R461 R462
17	CARBON FILM RESISTOR 4K7 OHM, ±0.5% 1/4W	13						R112 R114 R209 R210 R220 R221 R234 R235 R439 R443 ZD1-D312 R325 R324
18	CARBON FILM RESISTOR 5K6 OHM, ±0.5% 1/4W	7						R211 R212 R222 R316 R317 R320 R321
19	CARBON FILM RESISTOR 6K8 OHM, ±0.5% 1/4W	2						R125 R464
20	CARBON FILM RESISTOR 8K2 OHM, ±0.5% 1/4W	2						R419 R427
21	CARBON FILM RESISTOR 10K OHM, ±0.5% 1/4W	10						R116 R117 R301 R307 R407 R408 R412 R444 R445 R426
22	CARBON FILM RESISTOR 15K OHM, ±0.5% 1/4W	6						R222 R323 R436 R438 R226 R227
23	CARBON FILM RESISTOR 15K OHM, ±0.5% 1/4W	5						R416 R422 R410 R426 R438
24	CARBON FILM RESISTOR 18K OHM, ±0.5% 1/4W	1						R424
							Total	

PREPARED BY: DATE: CHECKED BY: DATE: APPROVED BY: DATE:

BILL OF MATERIAL

MODEL NO:V20-7241IC:2BAND

CATEGORY: (FM/AM) SYSTEM MAX. 2W REVISION DATE

ISSUED DATE:25-July-02

PART NO	DESCRIPTION	QTY	单价		总价					
			人民币	港币	美元	人民币	港币	美元		
	RESISTOR 100W +/-5% (碳电阻)									
1	CARBON FILM RESISTOR 22KOHM,+/-5% 1/4W	9								R-115 R-140 R-441 R-630 R-133 R-134 R-302 R-303 R-304
2	CARBON FILM RESISTOR 27K OHM,+/-5% 1/4W	3								R-203 R-204 R-430
3	CARBON FILM RESISTOR 33K OHM,+/-5% 1/4W	1								R-102
4	CARBON FILM RESISTOR 39K OHM,+/-5% 1/4W	4								R-458 R-459 R-460 R-461
5	CARBON FILM RESISTOR 47K OHM,+/-5% 1/4W									
6	CARBON FILM RESISTOR 56K OHM,+/-5% 1/4W	4								R-207 R-208 R-456 R-457
7	CARBON FILM RESISTOR 68K OHM,+/-5% 1/4W	2								R-420 R-219
8	CARBON FILM RESISTOR 82K OHM,+/-5% 1/4W	1								R-421
9	CARBON FILM RESISTOR 100K OHM,+/-5% 1/4W	9								R-107 R-108 R-446 R-447 R-448 R-449 R-450 R-451 R-452
10	CARBON FILM RESISTOR 120K OHM,+/-5% 1/4W									
11	CARBON FILM RESISTOR 150K OHM,+/-5% 1/4W	8								R-318 R-319 R-410 R-412 R-414 R-417 R-400 R-413
12	CARBON FILM RESISTOR 1M, OHM,+/-5% 1/4W	1								R-425
13										
14										
15										
16										
17										
18										
19										
20										
					Total					

PREPARED BY: DATE: CHECKED BY: DATE: APPROVED BY: DATE:

HILL OF MATERIAL

MODEL NO:V20-7241IC:2BAND

ISSUED DATE:25-July-02

REVISION

DATE

CATEGORY: (FM/AM) SYSTEM MAX, 2W

PART NO	DESCRIPTION	QTY	单价			总价		
			人民币	港币	美元	人民币	港币	美元
1	MILAR CAP 100V +/-10%							
2	CERAMIC CAPACTOR 0.027UF50V+80V-20%	4						C203 C204 C209 CHIP
3	CERAMIC CAPACTOR 0.021UF50V+80V-20%	2						C211 C212
4								
5								
6								
7								
8								
9								
10								
11								
12								
13								
14								
15								
16								
17								
18								
19								
20								
						Total		

PREPARED BY: DATE: CHECKED BY: DATE: APPROVED BY: DATE:

BILL OF MATERIAL

MODEL NO:V20-7241IC:2BAND

ISSUED DATE:25-July-02

DATE

REVISION

CATEGORY: (FM/AM) SYSTEM BAK, 2W

PART NO	DESCRIPTION	QTY	单价		总价		C436 C438
			人民币	港币	人民币	港币	
	ELECT CAP 1/-20% 50V						
1	ELECTROLYTIC CAPACITOR 120UF50V +/-20%	2					
2	ELECTROLYTIC CAPACITOR 47UF50V +/-20%	13					C108 C120 C121 C205 C206 C316 C317 C318 C319 C432 C444 C445 C430
3	ELECTROLYTIC CAPACITOR 100UF50V +/-20%	7					C115 C316 C319 C314 C315 C319 C410
4	ELECTROLYTIC CAPACITOR 2.2UF50V +/-20%	2					C207 C208
5	ELECTROLYTIC CAPACITOR 1.7UF50V +/-20%	4					C107 C117 C119 C415
6	ELECTROLYTIC CAPACITOR 100UF16V +/-20%	3					C317 C318 C385
7	ELECTROLYTIC CAPACITOR 220UF16V +/-20%	4					C121 C320 C321 C457
8	ELECTROLYTIC CAPACITOR 170UF16V +/-20%	6					C13 C311 C310 C11 C323 C322
9	ELECTROLYTIC CAPACITOR 100UF16V +/-20%	15					C125 C301 C302 C303 C305 C306 C307 C403 C404 C405 C406 C407 C408
10	ELECTROLYTIC CAPACITOR 220UF16V +/-20%	2					C334 C47
11	ELECTROLYTIC CAPACITOR 170UF16V +/-20%	2					C304 C305
12	ELECTROLYTIC CAPACITOR 100UF16V +/-20%	1					C400
13	ELECTROLYTIC CAPACITOR 220UF25V +/-20%	1					C301
14							
15							
16							
17							
18							
19							
20							
Total							

FORWARDED BY: DATE: CHECKED BY: DATE: APPROVED BY: DATE:

BILL OF MATERIAL

MODEL NO:V20-7241IC:2BAND

ISSUED DATE:25-July-02

PART NO	DESCRIPTION	QTY	单价		总价	
			人民币	港币	人民币	港币
	PAIR PLUGS					
1	16-PINS PLUG FCC CABLE-CONNECTOR P=1.0MM (V-TYPE) (直插)	1				CN1
2	3-PINS PLUG XH-2.5-STRAIGHT TYPE (R-TYPE) (弯插插)	2				CN7 CN14
3	4-PINS PLUG XH-2.5-STRAIGHT TYPE (R-TYPE) (弯插插)	1				CN28
4						
5	3-PINS PLUG PH-2.5-STRAIGHT TYPE (V-TYPE) (直插)	1				CN4
6	2-PINS PLUG PH-2.0-STRAIGHT TYPE (V-TYPE) (直插)	1				CN8
7	4-PINS PLUG PH-2.0-STRAIGHT TYPE (V-TYPE) (直插)	1				CN6
8	6-PINS PLUG PH-2.0-STRAIGHT TYPE (V-TYPE) (直插)	1				CN2
9	12-PINS PLUG PH-2.0-STRAIGHT TYPE (V-TYPE) (直插)	1				CN21
10						
11						
12						
13	JUMPER					
14	SM4	20				
15	(HORN)	40				
16						
17						
18						
19						
20						
Total						

PREPARED BY: DATE: CHECKED BY: DATE: APPROVED BY: DATE:

BILL OF MATERIAL

MODEL NO:V-20-2BAND

ISSUED DATE:25-JULY-02

REVISION DATE
 CATEGORY: (FM/AM) SYSTEM MAX. 2W

PART NO	DESCRIPTION	QTY	单价			总价		
			人民币	港币	美元	人民币	港币	美元
(五金) METAL & MISCELLANEOUS PARTS								
1	卡门弹弓	1						V20(电轴直径1.0mm弹簧)
2	CD门弹弓	1						通用AM-8555
3	电池弹弓-正片	1						V20(电轴直径1.0mm弹簧+0.5mm铁片)
4	电池弹弓-负片	1						V20(电轴直径1.0mm弹簧+0.5mm铁片)
5	电池弹弓-中片	1						V20(电轴直径1.0mm弹簧+0.5mm铁片)
6	电池弹弓-连片	2						V20(电轴直径1.0mm弹簧+0.5mm铁片)
7	天线	1						V-20
8	散热片	1						V-20
9	录音弹片	1						V-20
10	天线葫芦片	1						通用PC-5300
11	止落盘	1						通用件 (AM-8555)
12	喇叭网	左右各1						V-20 (0.5mm厚圆孔网格)
13	磁环	1						通用件
14	φ10, 0.8mm红介子	5						推钮X2, 音量粗支架X1, 指针支架X1, 小齿轮X1
15	铜丝: 2.6x10PWA	4						CD机芯
16	2x8PA	1						CD叶片开关
17	3x10PWA	1						CD门齿轮
18	2x5BM	1						止落盘
19	2.6x6BM	1						磁台齿轮
20	3x6PWA	2						推钮(红介子X2)
21	3x8PWA	2						音量粗支架 (红介子X1)
22	3x8PWA	2						指针支架 (红介子X1)
23	2.6x6PWA	1						小齿轮 (红介子X1)
24	3x6PWA	1						双连齿轮
			TOTAL					

2002年7月27日 6H

PREPARED BY: *[Signature]* DATE: 2.7.06
 CHECKED BY: *[Signature]* DATE: 2/10/06
 APPROVED BY: *[Signature]*

ISSUED DATE:25-JULY-02

BILL OF MATERIAL

MODEL NO:V-20-2BAND

REVISION DATE

CATEGORY:(FM/AM) SYSTEM MAX. 2W

PART NO	DESCRIPTION	QTY	单价			总价		
			人民币	港币	美元	人民币	港币	美元
(五金) METAL & MISCELLANEOUS PARTS								
1	3x10PA	5						主板
2	2.6x8PWA	2						CD组
3	3x10PA	2						CD控制板
4	3x10PWA	2						CD控制板
5	3x10PWA	1						卡门齿轮
6	3x10PA	4						卡式机芯
7	3x10PA	2						录音板
8	3x10PWA	4						喇叭固定支架
9	3x8BM(黑色)	1						天线
10	3x10PA	1						AC插固定支架
11	3x15PWA	2						火牛
12	3x8PA	1						整流板
13	3x8PA	2						电源转换开关
14	3x10PWA	4						面、顶合壳
15	3x8PB	4						顶、底合壳
16	3x15PA	4						顶、底合壳
17	2x8BM	1						录音板支架
18	2x3BM	1						录音弹片
19	3x8BM	1						散热片
20								
21								
22								
23								
							TOTAL	

2002年7月26日

PREPARED BY: [Signature] DATE: 02.7.20 CHECKED BY: [Signature] DATE: 20/07/02 APPROVED BY: [Signature] DATE: 20/07/02

ISSUED DATE: 25-JULY-02

BILL OF MATERIAL

MODEL NO: V20 - 2BAND

REVISION DATE

CATEGORY: (FM/AM) SYSTEM MAX. 2W

PART NO	DESCRIPTION	QTY	单价			总价			
			人民币	港币	美元	人民币	港币	美元	
	(塑胶) PLASTIC PARTS								
1	面壳(Front cabinet)	1						V-20	
2	底壳(Back cabinet)	1						V-20	
3	顶壳(Top cabinet)	1						V-20	
4	卡门(Cass door)	1						V-20	
5	卡门支架(Cass door BKT)	1						V-20	
6	显示面板(Display plane)	1						V-20	
7	CD租(CD knob)	1						V-20	
8	显示镜片(Display lens)	1						V-20	
9	显示支架(Display BKT)	1						V-20	
10	卡键X6(Cass knob)	1						V-20	
11	CD门(CD door)	1						V-20	
12	指针(Dial thainer)	1						V-20	
13	指针支架(Dial BKT)	1						V-20	
14	止落盘(CD plate holder)	1						V-20	
15	选台租(Tuning knob)	1						V-20	
16	音量租(Volume knob)	1						V-20	
17	波段租(Bands knob)	1						V-20	
18	功能租(Function knob)	1						V-20	
19	DBS租(Dubs knob)	1						V-20	
20	选台镜片(Tuning lens)	1						V-20	
21	电池门(Battery door)	1						V-20	
						TOTAL			

DATE: 2002年7月26日

APPROVED BY: [Signature]

CHECKED BY: [Signature]

DATE: 2002.7.26

PREPARED BY: [Signature]

ISSUED DATE: 25-JULY-02

BILL OF MATERIAL

MODEL NO: V20-2BAND

CATEGORY: (FM/AM) SYSTEM MAX. 2W REVISION DATE

PART NO	DESCRIPTION	QTY	单价		总价		V-20
			人民币	港币	人民币	港币	
1	选台齿轮(Dial Drum)	1					V-20
2	手拨(Handle)	1					V-20
3	手拨封片(Handle cover plate)	1					V-20
4	喇叭固定支架(左、右)(Speaker BKT left right)	各1件					V-20
5	波段钮簧前盖(Bands plane)	1					V-20
6	双速齿轮(Double wheel gear)	1					V-20
7	小齿轮(Gear)	1					V-20
8	音量钮支架(Volume knob BKT)	1					V-20
9	DBBS钮支架(DBBS knob BKT)	1					V-20
10	音量钮及DBBS钮固定支架(Volume and Dibs knob BKT)	1					V-20
11	AC杆座罩(AC Socket cover)	1					定货
12	AC杆固定支架(AC Socket BKT)	1					V-20
13	齿轮及齿杆支架(Gear or Gear bit)	各2件					V-20
14	录音板支架(Recording plate BKT)	1					V-20
15	回音筒(Echo Bracket)	2					V-20
16	压盖(CD Dressing plate)	1					V-20
17	防尘罩(Dust cover)	1					通用件
18	110-220电源转换开关改罩(110-220V Voltage selector cover)	1					通用件
19	磁棒支架(Ferrite BAR BKT)	2					通用件 (LxWxH) =24.4x12.6x6
20	录音板固定支架(Recording plate BKT)	1					通用件
			TOTAL				

2002年7月17日

PREPARED BY: [Signature] DATE: 02.7.02 CHECKED BY: [Signature] APPROVED BY: [Signature]

BILL OF MATERIAL

MODEL NO: V-20

ISSUED DATE: 7-NOV-02

REVISION: DATE:

CATEGORY:

PART NO	DESCRIPTION	QTY	单价		总价	
			人民币	港币	人民币	港币
PACKING PARTS						
1	发泡胶 (左、右)	各1				美元
2	彩盒	1				V-20
3	说明书	1				V-20
4	电源线	1				V-20
5	胶袋(15.5x2.0)mm	4				V-20 (要求不退色材料)
6	110-220 PVC片	1				V-20 (根据工作单要求)
7	BEAT CUT PVC片	1				V-20 (根据工作单要求)
8	RESET PVC片	1				V-20 (根据工作单要求)
9	胶袋	1				V-20(540 (长) x430 (宽) mm)
10	电源线胶袋	1				V-20(350 (长) x80 (宽) mm)
11	后盖 (粘贴纸)	1				V-20
12	辐射粘附纸	1				通用件
13	CD光头保护卡纸	1				通用件
14	卡通箱	1				V-20 (4枚装)
15	套管	1				通用件 (配电源线DS头)
16	电源线保护卡纸	1				通用件 (配电源线DS头)
17	遥控器及遥控说明书	各1				KYSHO公司提供 (看工作单要求)
18	说明书胶袋	1				通用件
19						
20						
21						
22						
TOTAL						

PREPARED BY: *[Signature]* DATE: 02-11-07
 CHECKED BY: *[Signature]* DATE: 7/11 APPROVED BY: **MARCO WONG** DATE: