

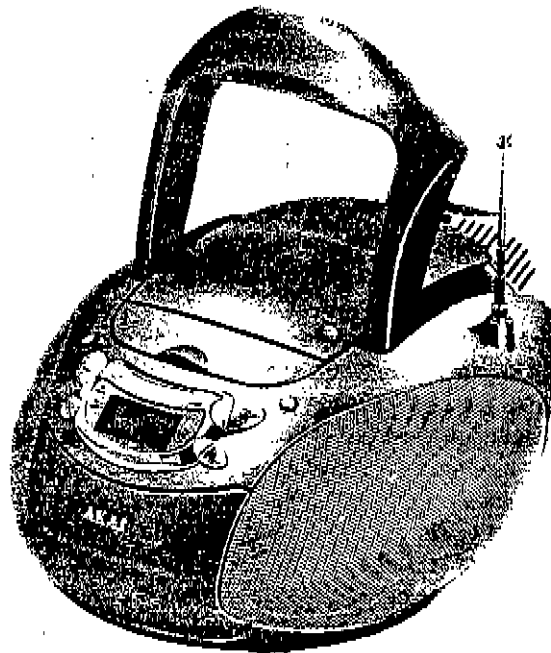
AKAI

Service Manual

MODEL
AJ-C3300

CAUTION : Before servicing the chassis, read the "important service safety information" section on page 2 of this manual.

PORTABLE AM/FM RADIO WITH CD PLAYER AND CASSETTE RECORDER



SPECIFICATIONS

AM/FM TUNER SECTION	
ANTENNA SYSTEM	AM: FERRITE BAR FM: TELESCOPIC
TUNING RANGE	AM: 522~1620kHz FM: 87.5~108Mhz
AUDIO SECTION	
SPEAKER IMPEDANCE	: 4 Ohms
GENERAL	: 2.0W
POWER INPUT	: AC 230V, 50Hz DC 12V
AC POWER CONSUMPTION	12W
DIMENSIONS	: 300(L)×324(W)×206(H)mm
WEIGHT	: 3.2kg

CONTENTS

IMPORTANT SERVICE SAFETY INFORMATION	-----
DISASSEMBLY INSTRUCTIONS	-----
ADJUSTMENT LOCATIONS	-----
ALIGNMENT PROCEDURES	-----
IC BLOCK DIAGRAMS	-----
VOLTAGE CHARTS	-----
BLOCK DIAGRAM	-----
WIRING DIAGRAM	-----
PRINTED CIRCUIT BOARDS	-----
SCHEMATIC DIAGRAMS	-----
EXPLODED VIEW/PARTS LIST(CABINET)	-----
REPLACEMENT PARTS LIST	-----

SERVICE PUBLICATION

Note: All the specifications features subject to change without notice.

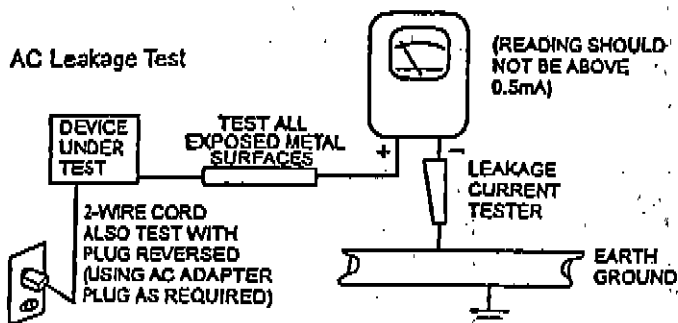
11 JUN 2002

IMPORTANT SERVICE SAFETY INFORMATION

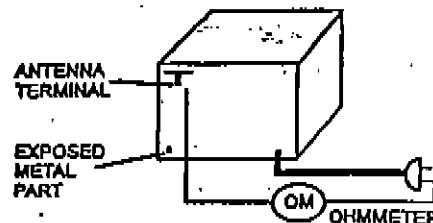
1. SAFETY PRECAUTIONS

Before returning a unit to the customer, always make a safety check of the entire unit, including, but not limited to the following items:

- a. Be sure that no built-in protective devices are defective and/or have been defeated during servicing.
 - (1) Protective shields are provided to protect both the technician and the customer. Correctly replace all missing protective shields including any removed for servicing convenience.
 - (2) When reinstalling the chassis and/or other assemblies in the cabinet, be sure to put back in place all protective devices, including, but not limited to, nonmetallic control knobs, insulating fishpapers, adjustment and compartment covers/shields and isolation resistor/capacitor networks. Do not operate this unit or permit it to be operated without all protective devices correctly installed and functioning.
- b. Be sure that there are no cabinet openings through which an adult or child might be able to insert their fingers and contact a hazardous voltage. Such openings include, but are not limited to, excessively wide cabinet ventilation slots, and an improperly fitted and/or incorrectly secured cabinet back cover.
- c. **Leakage Current Hot Check** - With the unit completely reassembled, plug the AC line cord directly into a 120V AC outlet. (Do not use an isolation transformer during this test.) Use a leakage current tester or a metering system that complies with American National Standards Institute (ANSI) C101.1 "Leakage Current for Appliances" and Underwriters Laboratories (UL) 1410, (50.7). With the unit AC switch first in the ON position and then in the OFF position, measure from a known earth ground (metal water pipe, conduit, etc.) to all exposed metal parts of the unit (antennas, handle bracket, metal cabinet, screwheads, metallic overlays, control shaft, etc.), especially any exposed metal parts that offer an electrical return path to the chassis. Any current measured must not exceed 0.5 milliamp. Reverse the unit power cord plug in the outlet and repeat test. **ANY MEASUREMENTS NOT WITHIN THE LIMITS SPECIFIED HEREIN INDICATE A POTENTIAL SHOCK HAZARD THAT MUST BE ELIMINATED BEFORE RETURNING THE UNIT TO THE CUSTOMER.**



- d. **Insulation Resistance Test Cold Check**
Unplug the power supply cord and connect a jumper wire between the two prongs of the plug.
Turn on the power switch of the unit.
Measure the resistance with an ohmmeter between the jumpered AC plug and each exposed metallic cabinet part on the unit, such as screwheads, antenna, control shafts, handle brackets, etc. When the exposed metallic part has a return path to the chassis, the reading should be between 1 and 5.2 megohms. When there is no return path to the chassis, the reading must be "infinite". If it is not within the limits specified, there is the possibility of a shock hazard, and the unit must be repaired and rechecked before it is returned to the customer.



2. PRODUCT SAFETY NOTICE

Some electrical and mechanical parts have special safety related characteristics which are often not evident from visual inspection, nor is the protection they give necessarily be obtained by replacing them with components rated for higher voltage, wattage, etc. Parts that have special safety characteristics are identified by a Δ on schematic and parts lists. Use of a substitute replacement that does not have the same safety characteristics as the recommended replacement part might create shock, fire, and/or other hazards. Product Safety is under review continuously and new instructions are issued whenever appropriate.

3. SERVICING PRECAUTIONS

CAUTION: Before servicing the unit, covered by this service manual and its supplements, read and follow the SAFETY PRECAUTIONS on this page. **NOTE:** If unforeseen circumstances create a conflict between the following servicing precautions and any of the safety precautions, always follow the safety precautions. Remember: Safety First.

- a. **General Servicing Precautions.**
 1. Always unplug the unit's AC power cord from the AC power source before:
 - (1) removing or reinstalling any component, circuit board, module, or any other unit assembly.
 - (2) disconnecting or reconnecting any unit electrical plug or other electrical connection.
 - (3) connecting a test substitute in parallel with an electrolytic capacitor on the unit.
Caution: A wrong part substitution or incorrect polarity installation of electrolytic capacitors may result in an explosion hazard.
 2. Do not defeat any plug/socket B+ voltage interlocks with which the unit covered by this service manual might be equipped.
 3. Do not apply AC power to this unit and/or any of its electrical assemblies unless all solid-state device heat sinks are correctly installed.
 4. Always connect a test unit instrument's ground lead to the unit's chassis ground before connecting the test instrument's positive lead. Always remove the test instrument's ground lead last.

4. LASER PRECAUTIONS

WARNING!!

1. When servicing, (in case it is necessary to confirm Laser Beam Emission) be sure not to place your eyes any closer than 1 ft or 30cm from the surface of the Objective Lens on the Optical Pickup Block.

HANDLING THE LASER PICKUP

2. Laser diodes are extremely susceptible to damage from static electricity. Even if a static discharge does not ruin the diode, it can shorten its life or cause it to work improperly. When replacing the pickup, use a conductive mat on the floor and desk and wear a wrist band connected to ground through a 1M ohm resistor to protect the laser diode from static damage. If the lens should get dusty, blow off the dust carefully from the object.
3. There are no adjustable parts in the pickup assembly. If it is defective, replace the whole pickup assembly.

CAUTION:

USE OF CONTROLS, ADJUSTMENTS OR PERFORMANCE OF PROCEDURES HEREIN MAY RESULT IN HAZARDOUS RADIATION EXPOSURE.

DANGER:

IF INTERLOCK FAILS OR IS DEFEATED, THE LASER LIGHT IS NOT ABLE TO FUNCTION, THE LASER IS INVISIBLE. AVOID DIRECT EXPOSURE TO BEAM.

ALIGNMENT PROCEDURES

AM SECTION

STEP	ALIGN FREQ	TEST EQUIPMENT	SIGNAL IN	SIGNAL OUT	ALIGNMENT	REMARK
1	465KHz	(1) AM IF SWEEP GENESCOPE (2) LOOP ANT (3) POWER SUPPLY	AM ANT. COIL CLOSE TO LOOP ANT.	TP4 & TP5 AND GND	LOOK AT T201 FOR MAX OUTPUT AROUND 465 KHz	(1) AM POSITION (2) PVC AT HIGH END
2	520KHz	(1) LOOP ANT. (2) AM SIGNAL GENERATOR MOD. 1KHz 30%	RADIATE 60CM APART FROM TEST UNIT	TP4 & TP5 AND GND	ADJUST T101 FOR 520KHz	(1) AM POSITION (2) PVC AT LOW
3	1650KHz	SAME AS STEP 2	SAME AS STEP 2	SAME AS STEP 2	ADJUST PVC C2 1650KHz	(1) AM POSITION (2) PVC AT HIGH END
4					REPEAT 2,3 FOR BEST RESULTS	
5	600KHz	SAME AS STEP 2	SAME AS STEP 2	SAME AS STEP 2	ADJUST L102 FOR MAX OUTPUT	(1) AM POSITION (2) TUNE PRC TO RECEIVE SIGNAL
6	1400KHz	SAME AS STEP 2	SAME AS STEP 2	SAME AS STEP 2	ADJUST PVC C1 FOR MAX OUTPUT	SAME AS ABOVE
7					REPEAT 5,6, AND THEN REPEAT 2,3, 5,6 FOR BEST RESULTS	

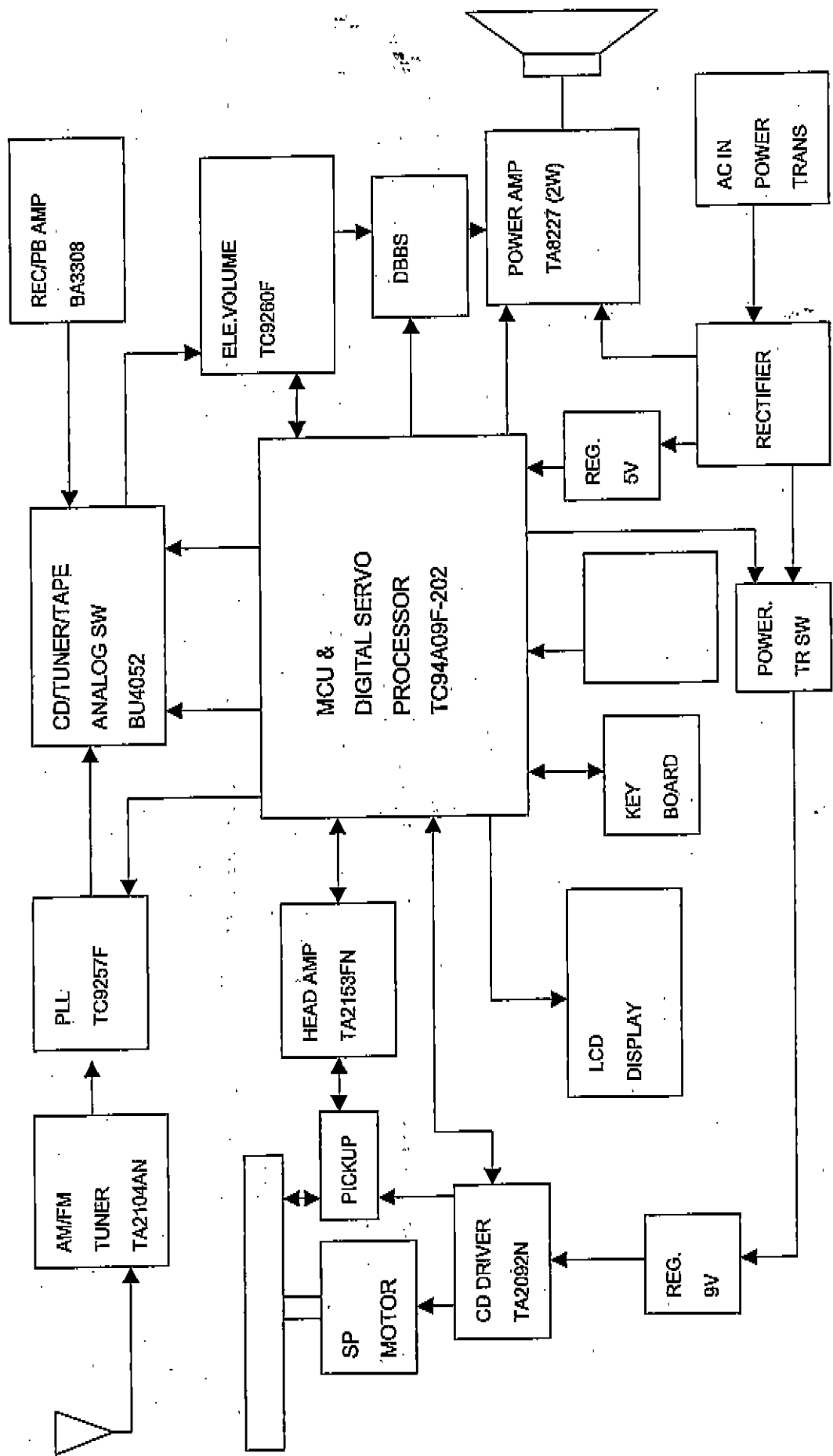
TAPE ADJUSTMENT

ITEM	CONDITION	Equipment Connection	ADJ
Head Alignment	Play back test tape MIT-113CN : 6.3KHz	Connect VTVM & OSC. To speaker output	Adjust Head Azimuth screw for max. reading on VTVM & 6.3KHz OSC.
Speed adjustment	Play back test tape MIT-111 : 3KHz	Connect WOW & Flutter Meter to speaker output	Adjust Motor until a reading of 3KHz +/- 30Hz is obtained.
Rec. Osc. Freq. Adjustment	Record Mode.	Connect Freq. Counter thru 5pF cap to T1 secondary	Adjust T1 for 49KHz +/- 1KHz

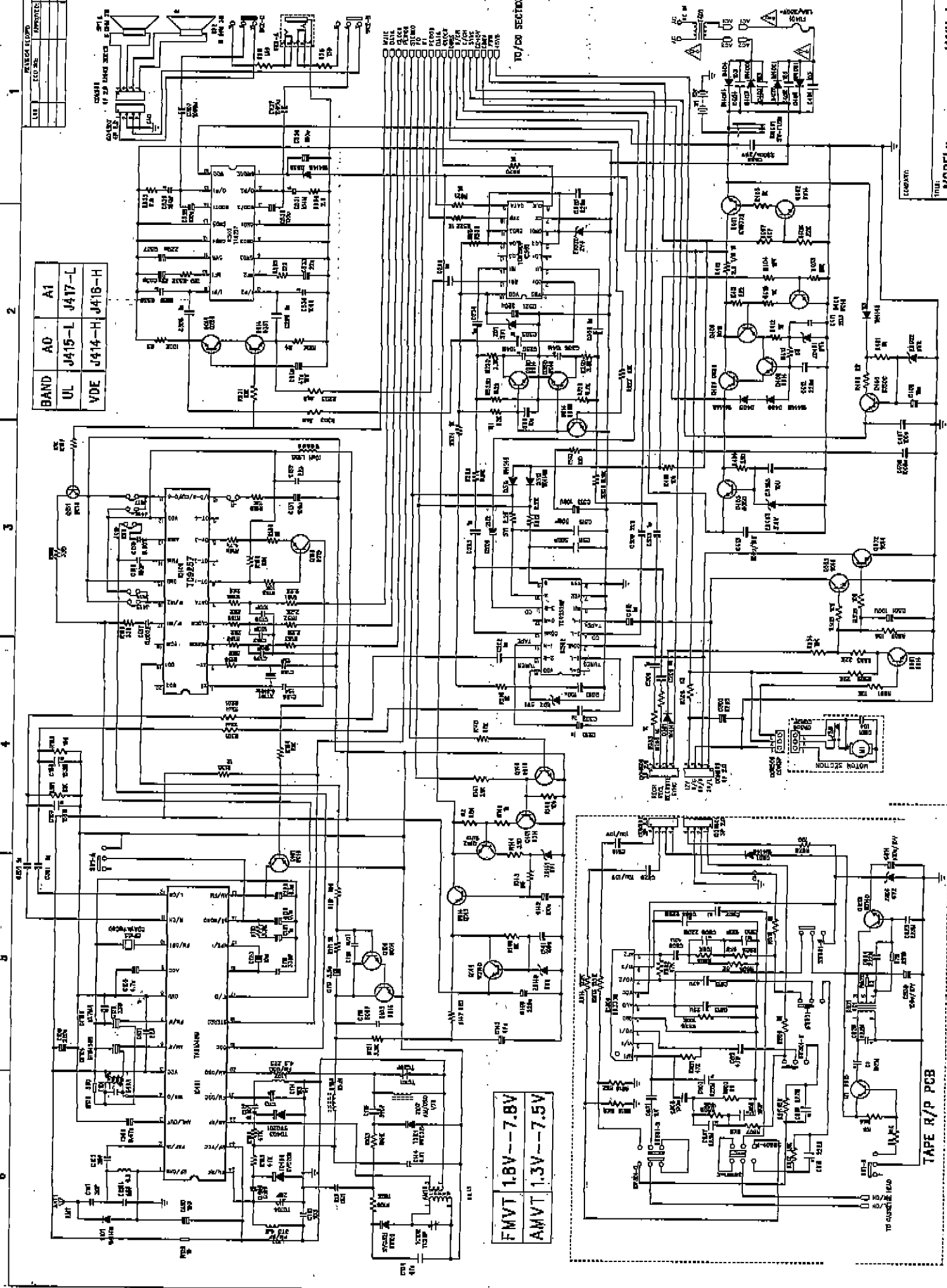
FM & FM STEREO SECTION

STEP	ALIGN FREQ	TEST EQUIPMENT	SIGNAL IN	SIGNAL OU	ALIGNMENT	REMARK
1	10.7MHz	(1) FM IF SWEEP GENESCOPE (2) POWER SUPPLY	THROUGH A 100PF CAPACITOR TO TP2 & GND	TP4 & TP5 AND GND	ADJUST T102 FOR MAX OUTPUT	PVC AT HIGH END
2	87.25MHz	FM SIGNAL GENERATOR MOD 22.5KHz/1KHz	TP1 & GND	TP4 & TP5 AND GND	ADJUST L105 FOR 87.25MHz FREQ	PVC AT LOW END
3	108.35MHz	SAME AS STEP 2	SAME AS STEP 2	SAME AS STEP 2	ADJUST PVC CF1 FOR 108.35MHz FREQ	PVC AT HIGH END
4					REPEAT 2,3 FOR BEST RESULTS	
5	90MHz	SAME AS STEP 2	SAME AS STEP 2	SAME AS STEP 2	ADJUST L104 FOR MAX OUTPUT	TUN PVC TO RECEIVE SIGNAL
6	106MHz	SAME AS STEP 2	SAME AS STEP 2	SAME AS STEP 2	ADJUST PVC CF2 FOR MAX OUTPUT	SAME AS STEP 5
7					REPEATS, 6 AND THEN REPEAT 2,3, 5,6 FOR BEST RESULTS	
8	98MHz	1. FM SIGNAL GENERATOR SEV 75KHz 1KHz W/STEREO 2. 2-CH V.T.V.M 3. OSCILLOSCOPE 4. DC POWER SUPPLY	SAME AS STEP 2	TP7 & TP8 AND GND	ADJUST VR2 UNIT THE STEREO LED MUST BE ON	FM STEREO ON POSITION VCO FREQ: 38KHz

BLOCK DIAGRAM



BAND	AD	A1
UL	J415-L	J417-L
VDE	J414-H	J416-H



FMVT 1.8V -- 7.8V
 AMVT 1.3V -- 7.5V

MODEL: MAIN-1

TAPE R/P PCB

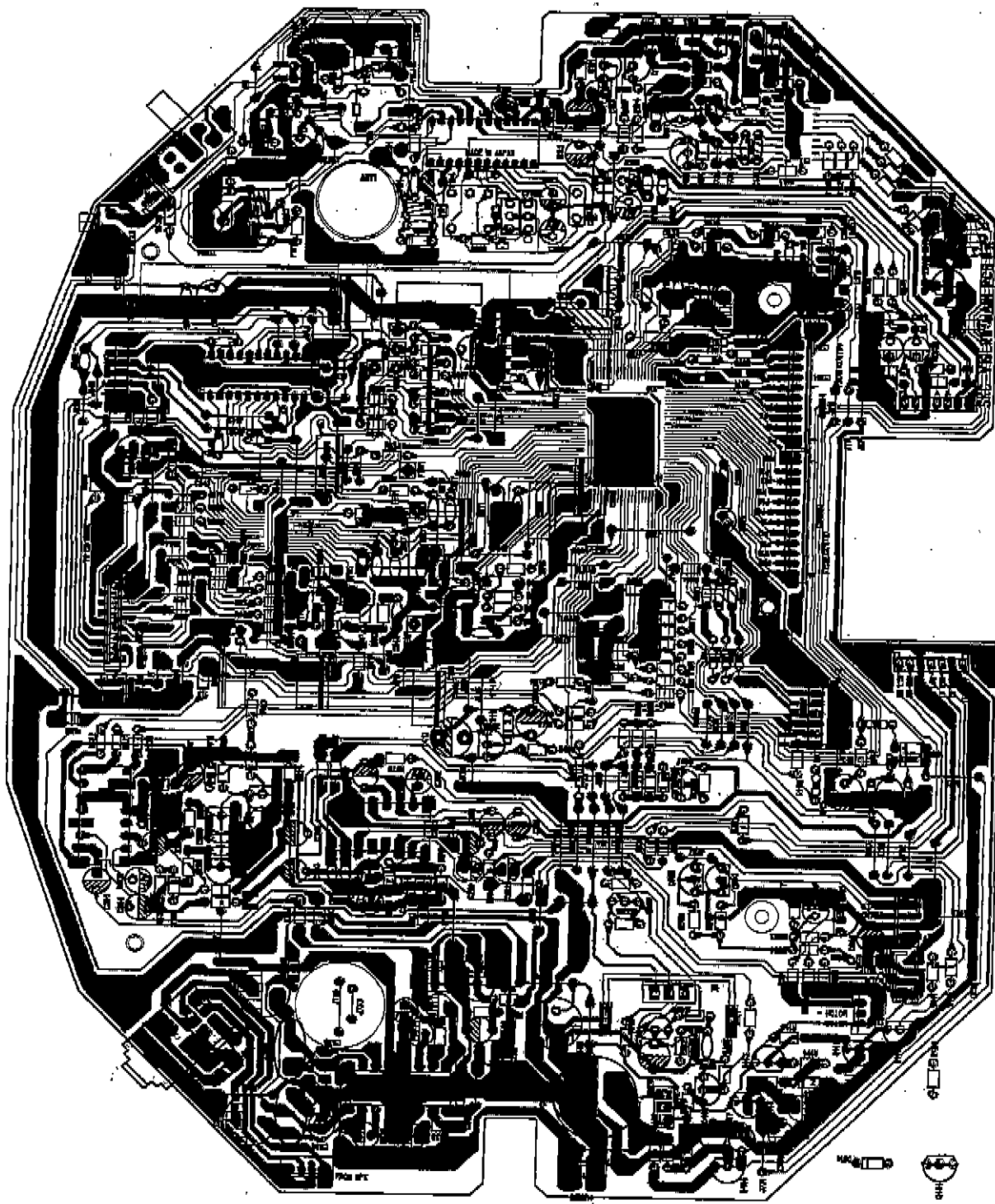
1 2 3 4 5 6

D

C

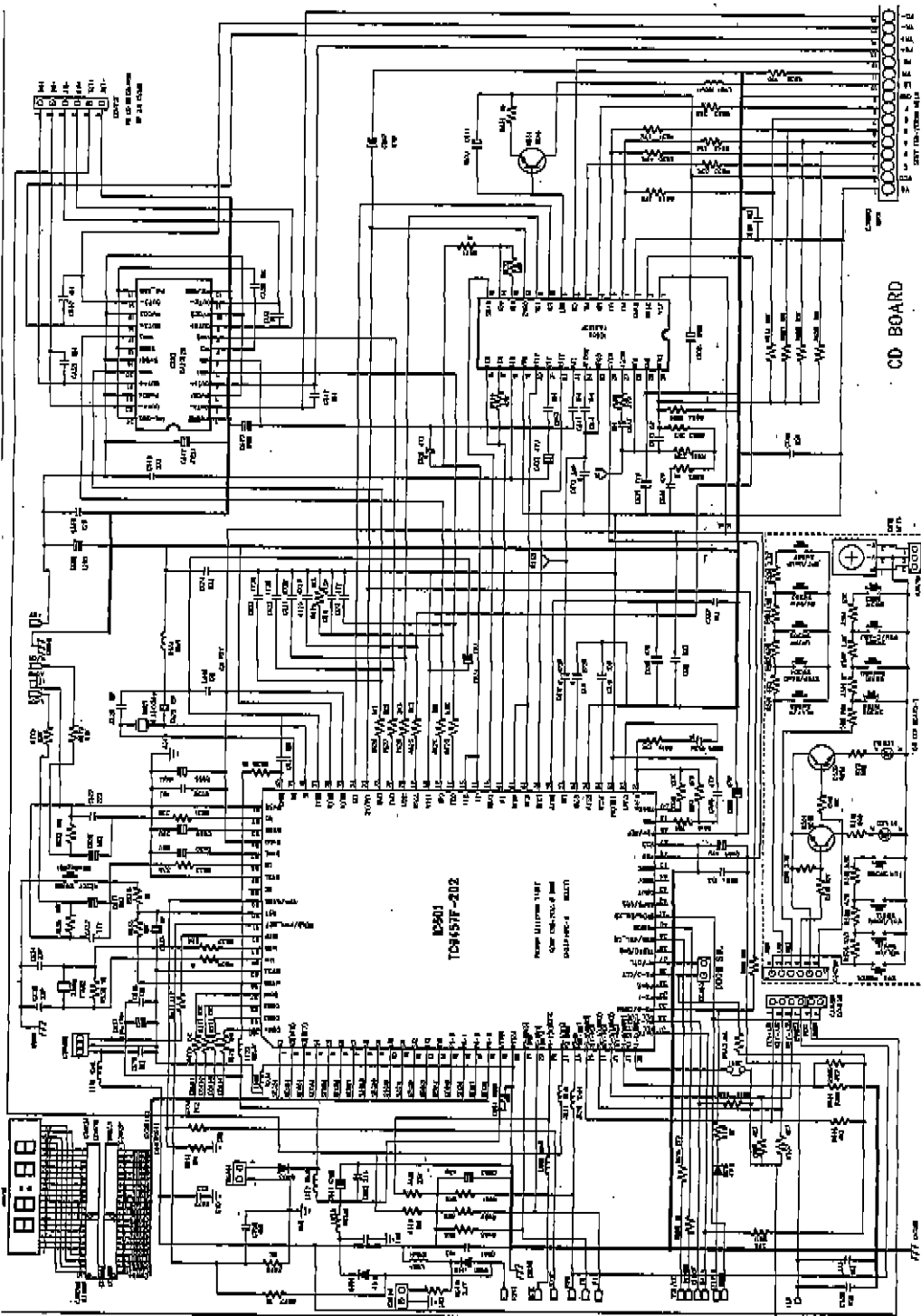
B

A



NOTE: 1.SILKPRINT (LEVEL 1) COURTESY OUTLINES,REG.DWG., primary lines, text, outlines)
 2.COOPER PRINT(LEVEL 2) COPPER PADS, TRACES, LINES
 3.SOLDER MASK BOTTOM PRINT(LEVEL 2 PADS, LEVEL 2B COPPER LINES)
 3.CUT LINE(LEVEL 3)

DRAWN: LEE		DATE: 03 DEC 01		COMPANY:	
CHECKED: RUMING		DATE: 28 FEB 02		TITLE: MAIN BOARD	
APPRO BY: [blank]		DATE: [blank]		CODE: [blank]	
RELEASED: [blank]		DATE: [blank]		SIZE: A3	
[blank]		[blank]		SCALE: 1:1	
[blank]		[blank]		REV: 01	
[blank]		[blank]		SHEET: 1 OF 1	



DRAWN: KYSHO
 DATE: 2001.SEP-29
 PART NO.:
 REV: 00

REPLACEMENT PARTS LIST

NO	PART NO	DASH	DESCRIPTION	REFERENCE NO
1	11-190360	00	AM FERRITE BAR HOLDER	
2	11-190350	01	LCD BKT	
3				
4	12-190010	01	HEAT SINK(FOR KSD882)	
5	12-190020	01	HEAT SINK(FOR TA8227)	
6	12-360323	01	FUSE HOLDER (FC-001-N) (300/323)	
7	12-360005	01	Eyelet:2x3mm	
8	12-360009	01	Soldering plate	
9	12-V197530	00	Plate:75x30mm	
10	12-V197556	00	Plate:75x56mm	
11				
12	15-100506	01	FM Sponge:10x5x5mm	
13				
14	16-123006	PM	SCREW: PM3x6	
15				
16	27-19194V0	71Y	MAIN PCB MATERIAL 94HB	
17	27-19494HB	71Y	DISPLAY BOARD MATERIAL 94HB	
18	27-19294V0	71Y	AC BOARD MATERIAL 94V0	
19	27-19394HB	71Y	P/R PCB 81x54mm 94HB	
20				
21	28-SA282DP	01	LCD Display SDF-A282-DP-1-D	
22				
23	29-94A09F	202	TC94A09F-202 (CD CONTROLLER) (TOSHIBA)	IC601
24	29-52153F	01	TA2153FN(CD SERVO) (TOSHIBA)	IC602
25	29-102092	01	TA2092N (POWERDRIVER) (TOSHIBA)	IC603
26	29-103308	01	BA3308(TAPE RECORDER) (ROHM)	IC801
27	29-102104	01	TA2104N (RADIO AM/FM) (TOSHIBA)	IC401
28	29-109260	01	TC9260P	IC501
29	29-108227	01	TA8227	IC503
30	29-304052	01	TC1052BP (SWITCH)	IC502
31	29-309257	01	TC9257F (PLL CONTROL)	IC402
32				
33	30-108772	00	Transistor: KSB772	Q401
34	30-209012	00	Transistor: 9012A	Q143
35	30-108882	00	Transistor: KSD882	Q407
36	30-208050	00	Transistor: 8050C	Q 403.405.
37	30-209014	00	Transistor: 9014C	Q101.102.103 .140.141.142.144.151.
38				Q250.251.350.351.402.404.408.
39				Q555.502.503.520.502.802.803
40	30-209015	00	Transistor: 9015C	Q150.501.604.406
41				
42	31-251353	00	LED DIA=3MM RED	D501 (POWER)
43	31-551353	00	LED DIA=3MM GREEN	D502 (DBBS)
44	31-044148	00	Diode: IN4148	D101.501.511.512.530.601.602.610.801.802.405.406.
45	31-304001	00	Diode: IN4001	D1.2.3.4
46	31-401249	12	Zener Diode: 2.4V 1/2W	ZD520
47	31-401519	12	Zener Diode: 5.1V 1/2W	ZD612.613
48	31-401569	12	Zener Diode: 5.6V 1/2W	ZD140.403
49	31-401629	12	Zener Diode: 6.2V 1/2W	ZD402.Z801
50	31-401919	12	Zener Diode: 9.1V 1/2W	ZD141.401

REPLACEMENT PARTS LIST

NO	PART NO	DASH	DESCRIPTION	REFERENCE NO
51	31-500201	01	Diode: SVC201 代用料 31-500102-01 101	TD103.104
52	31-500321	01	Diode: SVC321 代用料 31-500149-01 149	TD101.102
53				
54	32-157802	01	IFT 10MM RED (FOR AM OSC) (MATSUTA) V78	T102
55	32-156603	01	IFT 10MM ORANGE (FOR AM IF) (MATSUTA) V56	T101
56	32-104401	01	BIAS Osc: N104401 Yellow	T801
57				
58	33-106220	01	AM Coil 62:20T	ANT2
59	33-310600	01	10uH CROKE COIL	L1.605.609.616.624.625.626.R149.J729.
60	33-322600	01	22uH CROKE COIL	L211.311.J750.
61	33-310700	01	100uH CROKE COIL	L601.623.607.622.
62				
63	33-452508	01	4.5x2.5Tx0.8mm FM COIL	L102
64	33-453508	01	4.5x3.5Tx0.8mm FM COIL	L103
65	33-454508	01	4.5x4.5Tx0.8mm FM COIL	L101
66				
67	35-PS82D01N	01	Rec Switch PS82D01-NS	SW801
68	35-126645	00	TACT SWITCH RS- (H=4.5mm F=250+-30)	SW502.503.508.
69	35-4113FH	00	TACT SWITCH RS-014RB1 (H=5mm F=250+-30)	SW501.504-507.509-513.
70	35-226607	00	(H=7mm F=250+-30 FOR	SW102
71	35-22F12G9	00	Slide Switch SK22F12-G9	SW101
72	36-440200	00	20PF TRIMMER CAP	TC101.102.104
73				
74	40-180010	00	Ferrite Bar: 10x80mm	
75				
76	42-110701	01	FM IF CERAMIC FILTER 10.7A 3Plug	CF102
77	42-110701	02	FM IF CERAMIC DISCRIMINATOR 10.7GX 2Plug	CF103
78	42-145004	01	AM IF CERAMIC FILTER SFU450B	CF101
79	42-316931	00	Ceramic Filter 16.93MX	X601
80	42-304501	00	Crystal Filter 4.5MHZ	XT101
81	42-307501	00	Crystal Filter 75KHZ	XT602
82				
83	44-3506202	00	BJ3506-202 STEREO PHONE JACK W/SW 2P2T	SK201
84	44-2418120	02	WAFER 2P 2.0MM 180C	CON606.615.CN1
85	44-2418120	03	WAFER 3P 2.0MM 180C	CON506.
86	44-2418125	04	WAFER 4P 2.5MM 180C	CON606.
87	44-2418120	04	WAFER 4P 2.0MM 180C	CON503.608
88	44-2418120	07	WAFER 7P 2.0MM 180C	CN607
89	44-2418120	10	WAFER 10P 2.0MM 180C	CON604.
90	44-2418120	12	WAFER 12P 2.0MM 180C	CON603.
91	44-2418110	16	WAFER 16P 1.0MM 90C	CON602
92				
93	51-125116	01	T 1.6L 250V Φ 5x20mm FUSE VDE APP	
94				
95	54-222915	12	Resistor: 2.2 OHM 1/16W	R533.534.415
96	54-247915	12	Resistor: 4.7 OHM 1/16W	R820.
97	54-210015	12	Resistor: 10 OHM 1/16W	R129.149.659.
98	54-222015	12	Resistor: 22 OHM 1/16W	R402.
99	54-247015	12	Resistor: 47 OHM 1/16W	R803.804.819.
100	54-256015	12	Resistor: 56 OHM 1/16W	R145.413

REPLACEMENT PARTS LIST

NO	PART NO	DASH	DESCRIPTION	REFERENCE NO
101	54-282015	12	Resistor: 82 OHM 1/16W	R508
102	54-210115	12	Resistor: 100 OHM 1/16W	R513.658.825.
103	54-212115	12	Resistor: 120 OHM 1/16W	R532.535
104	54-222115	12	Resistor: 220 OHM 1/16W	R211.311.147.660
105	54-233115	12	Resistor: 330 OHM 1/16W	R128.144.165.166.409.412.
106				
107	54-256115	12	Resistor: 560 OHM 1/16W	R510.560.
108	54-268115	12	Resistor: 680 OHM 1/16W	R501.505.508
109	54-282115	12	Resistor: 820 OHM 1/16W	R502.509
110	54-210215	12	Resistor: 1K OHM 1/16W	R111.130.131.146.153.164.201.202.205.301.302.305.4
111				R410.417.506.510.520.521.522.524.600.621.631.633.6
112				817
113	54-212215	12	Resistor: 1.2K OHM 1/16W	R507.
114	54-215215	12	Resistor: 1.5K OHM 1/16W	R503.
115	54-220215	12	Resistor: 2K OHM 1/16W	R676
116				
117	54-222215	12	Resistor: 2.2K OHM 1/16W	R151.152.158.159.160.504.511.512.613.641.663. CONA
118	54-227215	12	Resistor: 2.7K OHM 1/16W	R511
119	54-233215	12	Resistor: 3.3K OHM 1/16W	R110.121.250.350.518.623.625.626.627.628.629.
120	54-247215	12	Resistor: 4.7K OHM 1/16W	R163.168.407.605.606.607.608.639.809.810.
121	54-256215	12	Resistor: 5.6K OHM 1/16W	R156.203.303.527.601.668.669
122	54-268215	12	Resistor: 6.8K OHM 1/16W	R807.808.
123	54-282215	12	Resistor: 8.2K OHM 1/16W	R523.526.815.816.
124	54-210315	12	Resistor: 10K OHM 1/16W	R101.102.112.142.154.162.167.169.
125				R403.404.416.501.504.505.506.512.515.531.599.
126				R603.610.616.624.632.634.635.654.655.
127				R656.657.665.670.671.672.673.688.824.827
128				
129	54-215315	12	Resistor: 15K OHM 1/16W	R619.811.812
130	54-222315	12	Resistor: 22K OHM 1/16W	R140.143.411.406.502.503.525.611.612.661.681
131	54-227315	12	Resistor: 27K OHM 1/16W	R818
132	54-233315	12	Resistor: 33K OHM 1/16W	R141.514.652.653.
133	54-247315	12	Resistor: 47K OHM 1/16W	R103.104.617620.648.649.650.651.801.802.538
134	54-268315	12	Resistor: 68K OHM 1/16W	R622.678.679
135	54-210415	12	Resistor: 100K OHM 1/16W	R105.106.536.537.618.636.664.805.806.822.823.
136	54-233415	12	Resistor: 330K OHM 1/16W	R813.814.
137	55-210427	12	E. CAP: 0.1 UF 50V	C122.123
138	55-247527	12	E. CAP: 0.47 UF 50V	C104
139	55-210537	12	E. CAP: 1 UF 16V	C121.201.202.203.204.205.206.208.210.301.302.
140				C303.304.305.306.308.310.633.801.802
141	55-222527	12	E. CAP: 2.2 UF 10V	C209.309
142	55-233527	12	E. CAP: 3.3 UF 10V	C117.631.628
143	55-247527	12	E. CAP: 4.7 UF 10V	C105
144	55-210627	12	E. CAP: 10UF 10V	C120.406.409.706.819.820
145	55-210637	12	E. CAP: 10UF 16V	C129.130.
146	55-222627	12	E. CAP: 22UF 10V	C533.536.813.629.630
147	55-247637	12	E. CAP: 47UF 16V	C546.603.605.606.607.639.686.712.805.806.811.812
148	55-210737	12	E. CAP: 100UF 16V	C413.510.

REPLACEMENT PARTS LIST

NO	PART NO	DASH	DESCRIPTION	REFERENCE NO
147	55-210727	12	E. CAP: 100UF 10V	C141.142.151.361.407.501.513.530.532.538
148				C638.641.655.660.684.827.830
149	55-222737	12	E. CAP: 220UF 16V	C106.140.412.502.520.521.537.637.668.814
150	55-247737	12	E. CAP: 470UF 16V	C.601.647
151	55-210827	12	E. CAP: 1000UF 10V	C207.307.
152	55-210848	12	E. CAP: 1000UF 25V	C408.
153	55-222848	12	E. CAP: 2200UF 25V	C405.
154	55-105065	12	C. CAP: 5PF 50V	C645
155	55-115065	12	C. CAP: 15PF 50V	C626
156	55-120065	12	C. CAP: 20PF 50V	C113.
157	55-125065	12	C. CAP: 25PF 50V	C155.156
158	55-130065	12	C. CAP: 30PF 50V	C101.102.103.672
159	55-133065	12	C. CAP: 33PF 50V	C634.625.635.
160	55-139065	12	C. CAP: 39PF 50V	C115.
161	55-147065	12	C. CAP: 47PF 50V	C608.646
162	55-110165	12	C. CAP: 100PF 50V	C150.153.154.158.680.681.682.809.810
163	55-133165	12	C. CAP: 330PF 50V	C119
164	55-139165	12	C. CAP: 390PF 50V	C115
165	55-147165	12	C. CAP: 470PF 50V	C618
166	55-150165	12	C. CAP: 500PF 50V	C511.512.116
167	55-122266	12	C. CAP: 0.0022UF 50V (222)	C157.632.627.
168	55-147266	12	C. CAP: 0.0047UF 50V (472)	C616.617
169	55-110266	12	C. CAP: 0.001UF 50V (102)	C109.112.159.534.535.818.180.700.701.702.703.704.
170	55-110366	12	C. CAP: 0.01UF 50V (103)	C110.111.114.118.604.610.636.685.687.600.
171				C640.656.658.661.670.690.705.
172	55-120366	12	C. CAP: 0.022UF 50V (203)	C411.
173	55-122366	12	C. CAP: 0.022UF 50V (223)	C2.3.4.5.131.152.615.648.669.676.677.683.674
174	55-147366	12	C. CAP: 0.047UF 50V (473)	C124
175	55-110466	12	C. CAP: 0.1UF 50V (104)	C613.624.642.643.644.649.650.651.652.653.
176	55-122466	12	C. CAP: 0.22UF 50V (224)	
177	55-410286	12	M. CAP: 0.001UF 100V (102)	C817
178	55-422286	12	M. CAP: 0.0022UF 100V (222)	C803.804.815.816.826
179		12	M. CAP: 0.0027UF 100V (272)	C611
180	55-447286	12	M. CAP: 0.0047UF 100V (472)	C612.
181	55-415386	12	M. CAP: 0.015UF 100V (153)	C107.108.609
182	55-422386	12	M. CAP: 0.022UF 100V (223)	C807.808.823.
183	55-433386	12	M. CAP: 0.033UF 100V (333)	C824
184	55-447386	12	M. CAP: 0.047UF 100V (473)	C620.621.622.623
185	55-410486	12	M. CAP: 0.1UF 100V (104)	C531.539.250.350.
186	W-226023	02	2PIN 2.0mm WITH CONNECTOR AWG#26 UL1007 230mm	
187	W-230015	03	3PIN 2.0mm WITH CONNECTOR AWG#30 UL1007 150mm	
188	W-228021	04	4PIN 2.0mm WITH CONNECTOR AWG#28 UL1007 210mm	
189	W-328021	04	4PIN 2.5mm WITH CONNECTOR AWG#28 UL1007 210mm	
190	W-226015	02	2PIN 2.0mm WITH CONNECTOR AWG#26 UL1007 160mm	
191				
192	W-228019	06	6PIN 2.0mm WITH CONNECTOR AWG#28 UL1007 190mm	
193	W-230015	07	7PIN 2.0mm WITH CONNECTOR AWG#30 UL1007 150mm	

REPLACEMENT PARTS LIST

NO	PART NO	DASH	DESCRIPTION	REFERENCE NO
194	W-230025	10	10PIN 2.0mm WITH CONNECTOR AWG#30 UL1007 250mm	
195	W-230025	12	12PIN 2.0mm WITH CONNECTOR AWG#30 UL1007 250mm	
196	W-126004	02	Jumper Wire: UL1007 #26 RED 5mm+40mm+5mm	
197	W-826010	07	Jumper Wire: 7PIN AWG#26 UL2651 100mm	
198	W-128009	05	Jumper Wire: UL1007 #28 Green 5mm+90mm+5mm	
199	W-128006	05	Jumper Wire: UL1007 #28 Green 5mm+80mm+5mm	
200			MAIN PCB	
201	56-050229	69	COPPER WIRE L=5mm Φ 0.6mm	J635.637.638.639.640.641.759.760.
202	56-050229	69	COPPER WIRE L=5mm Φ 0.6mm	J635.637.638.639.640.641.758.761.
203	56-060229	69	COPPER WIRE L=6mm Φ 0.6mm	J1.3.6.10.14.018.155.605.606.609.610.613.615.617.622
204				J631.632.645.646.647.652.653.654.655.663.670.671.67
205				J702.708.709.710.719.721.745.748.757.762.763.Jump.
206	56-080229	69	COPPER WIRE L=8mm Φ 0.6mm	J603.604.612.614.618.619.620.621.644.649.651.731.73
207				J741.742.749.755.764.TLOAD.TLOAD1.
208	56-100229	69	COPPER WIRE L=10mm Φ 0.6mm	J4.607.608.611.625.627.703.725.728.734.752.753.754.7
209	56-120229	69	COPPER WIRE L=12mm Φ 0.6mm	J5.628.642.643.680.720.723.726.732.746.7779.
210	56-150229	69	COPPER WIRE L=15mm Φ 0.6mm	J756.
211	56-170229	69	COPPER WIRE L=17mm Φ 0.6mm	J766.
212			R/P PCB	
213	56-050229	69	COPPER WIRE L=5mm Φ 0.6mm	J1.801.805.806.C822.Q801.R826.
214	56-070229	69	COPPER WIRE L=7mm Φ 0.6mm	J802.803.
215				
216	12-190010	00	CD Door Spring	
217	12-190020	00	Cass Door Spring	
218	12-190030	00	Speaker Net "L"	
219	12-190040	00	Speaker Net "R"	
220	12-360031	01	Soldering Plate (For FM Ant)	
221	12-364031	01	Iron Plate (For CD Housing)	
222	12-190060	00	Battery Spring (+) (-)	
223	12-190060	00	Battery Spring (-) (+)	
224	12-190070	00	Battery Plate (+)	
225	12-190080	00	Battery Spring (-)	
226				
227	15-360011	01	CD Rubber: SW-02-D658-30 "RED"	
228	15-360021	01	CD Rubber: SW-02-D658-40 "GREEN"	
229	15-158020	01	Round Rubber Foot: 15.8x2mm	
230	15-543015	02	Sponge: 54x30x15mm	
231	15-704136	02	Sponge: 70x41x36mm	
232	15-4200401	00	Sponge: 420x4x1mm (BLACK)	
233	15-201502	00	Sponge: 20x15x2mm (BLACK)	
234	16-363008	PA	SCREW: PA3x8	
235	16-363010	PA	SCREW: PA3x10	
236	16-302610	PWB	SCREW: PWB2.6x10 Washer Φ 10mm	
237	16-193010	KA	SCREW: KA3x10	
238	16-363018	PA	SCREW: PA3x18	
239	16-363010	BM	SCREW: BM3x10	
240	16-363010	BA	SCREW: BA3x10	
241	16-362004	BM	SCREW: BM2x4	

NO	PART NO	DASH	DESCRIPTION	REFERENCE NO
242	16-122005	PB	SCREW: PB2x5	
243	16-203016	BA	SCREW: BA3x16	
244	16-203010	PWA	SCREW: PWA3x10 WASHER Φ 8MM	
245				
246	17-110032	10	METAL WASHER Φ 10.0x Φ 3.2x1.0	
247	17-208030	04	FIBRE WASHER Φ 8.0x Φ 3.0x0.4	
248	17-205030	04	FIBRE WASHER Φ 5.0x Φ 3.0x0.4	
249				
250	18-360011	02	Poly Bag:3X11X0.023" (For Ac Cord)	
251	18-360021	02	Poly Bag:16.5X20.5X0.04" 02 PE-HD (For Unit)	
252	18-360031	02	Poly Bag:6.5X10X0.023" (For I/B)	
253				
254	19-190020	01	Gift Box	
255	19-190020	04	Gift Box	
256	19-129140	02	CD Protection Card (France/ENGLISH)	
257	19-190040	04	Instruction Book (France/ENGLISH/DUTCH)	
258	19-360010	01	Laser Label N-3304	
259	19-360072	01	Class 1 Label LS-3306	
260	19-190050	03	Serial NO Label	
261	19-190032	00	Model Label AJ-C3300	
262	19-360101	01	Caution Label	
263	19-180070	00	COUNTRY CODE LABEL (E1) N-3498	
264	19-180090	00	MADE IN P. R. C LABEL 20(L)x3(H)mm	
265				
266	20-19000L	01	Poly Foam "L" W/Recycle Mark	
267	20-19000R	01	Poly Foam "R" W/Recycle Mark	
268				
269	22-010310	01	Silkscreen Black: 3/8 310mm	
270				
271	35-A00001	00	CD DOOR LOCK MS	
272	35-191119	01	CD Leaf Switch (For CD Door)	
273				
274	37-190403	00	SPEAKER 3" 4OHM 3 W C&T H-Ur45 "SKC-V19"	
275				
276	38-480800	00	Power Transformer: SK-V480800BAF (230v)	
277				
278	39-150180	03	AC CORD VDE YCS-00015 BLACK (230V)	
279	40-301805	01	Magnet:30X18X5mm	
280	43-JW10123	00	FM ANT HEAD: DIA=10.0mm (LIMIT) L=123mm	
281	44-073600	01	AC Socket: VDE/BS Approved AC 250V 2.5A	
282	47-30VBV	6PA	Cass. Deck: TM-30VBV-77L 6PA MOTOR:9V	
283	47-007811	03	SAMSUNG CD MECHANISM (CMS-B31VG6U)	
284	W-228015	02	2PIN 2.0mm WITH CONNECTOR AWG#28 UL1007 4mm+150mm	
285	W-526033	03	3PIN 2.0mm WITH CONNECTOR AWG#26 UL1007	
286			2P:4mm+250mm 1P:4mm+330mm	
287	W-226038	04	4PIN 2.0mm WITH CONNECTOR AWG#26 UL1007	
288			L=(240+240)+4mm R=(380+380)+4mm	
289	W-902890	16	16P PH 1.0mm FCC UL AWM #2896 VW-1-F 80C 90mm	
290	W-832018	51	4P Jumper Wire: AWG#32 UL2851 3mm+180mm+3mm	
291	W-126005	02	Jumper Wire: UL1007 #26 Red 5mm+50mm+5mm	
292	W-126015	02	Jumper Wire: UL1007 #26 Red 5mm+150mm+5mm	
293	W-126018	00	Jumper Wire: UL1007 #26 Black 5mm+180mm+5mm	
294	W-126022	06	Jumper Wire: UL1007 #26 BLUE 5mm+220mm+5mm	
295	W-126022	09	Jumper Wire: UL1007 #26 WHITE 4mm+220mm+4mm	
296	W-128010	00	Jumper Wire: UL1007 #28 Black 100mm	
297	W-126012	05	Jumper Wire: UL1007 #26 GREEN 4mm+120mm+4mm	
298	58-410026	01	CABLE TIES ITEM NO.:GT-100M SIZE:100mmx2.5mm	