

# **SERVICE MANUAL**

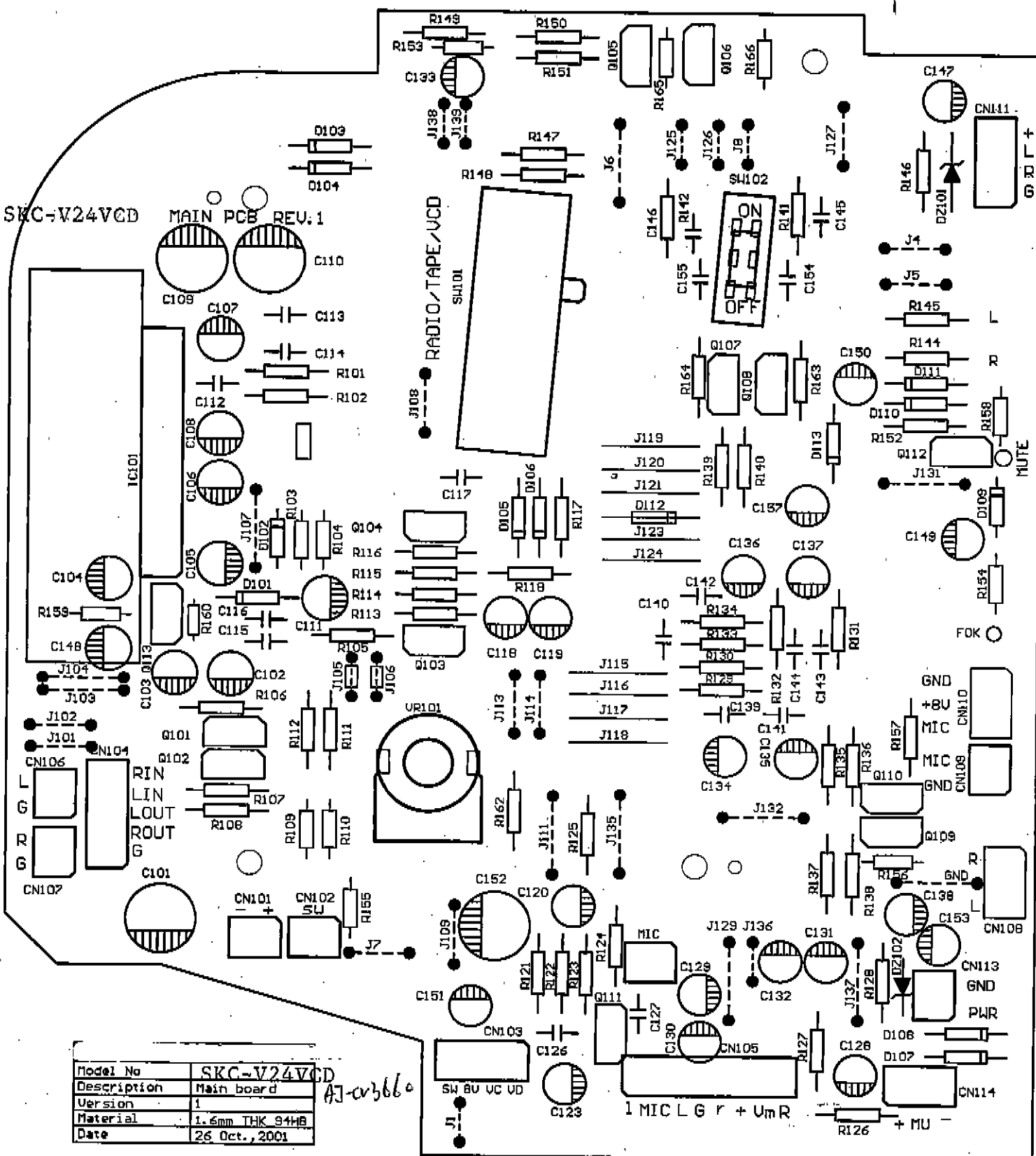
**MODEL : AJ-CV3660**

'3 0 MAY 2003

SKC-V24VCD

MAIN PCB REV:1

RADIO/TAPE/VCD



Model No	SKC-V24VCD
Description	Main board
Version	1
Material	1.6mm THK 94HB
Date	26 Oct., 2001

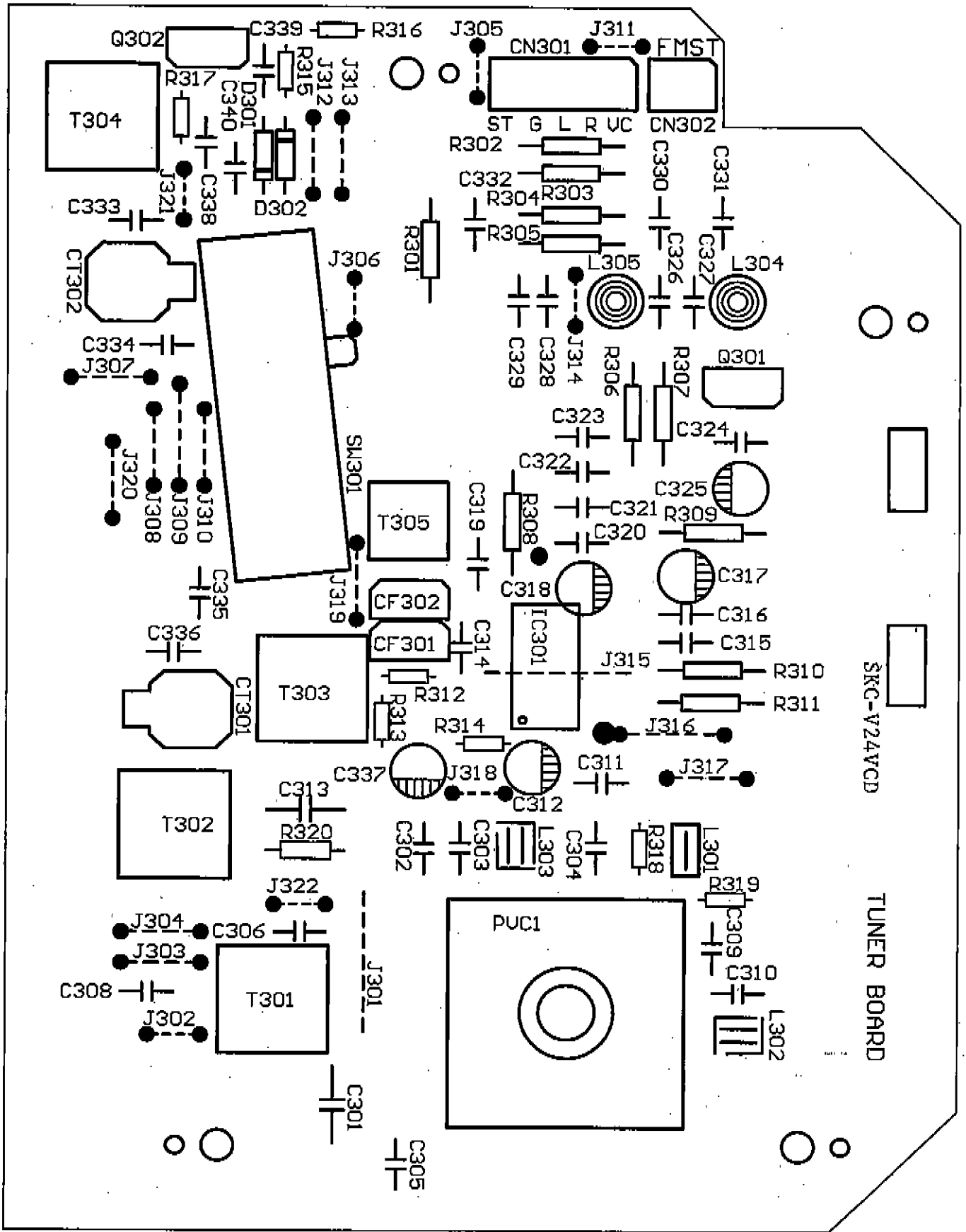
AJ-cv366a

1 MIC L G r + Um R

+ MU -

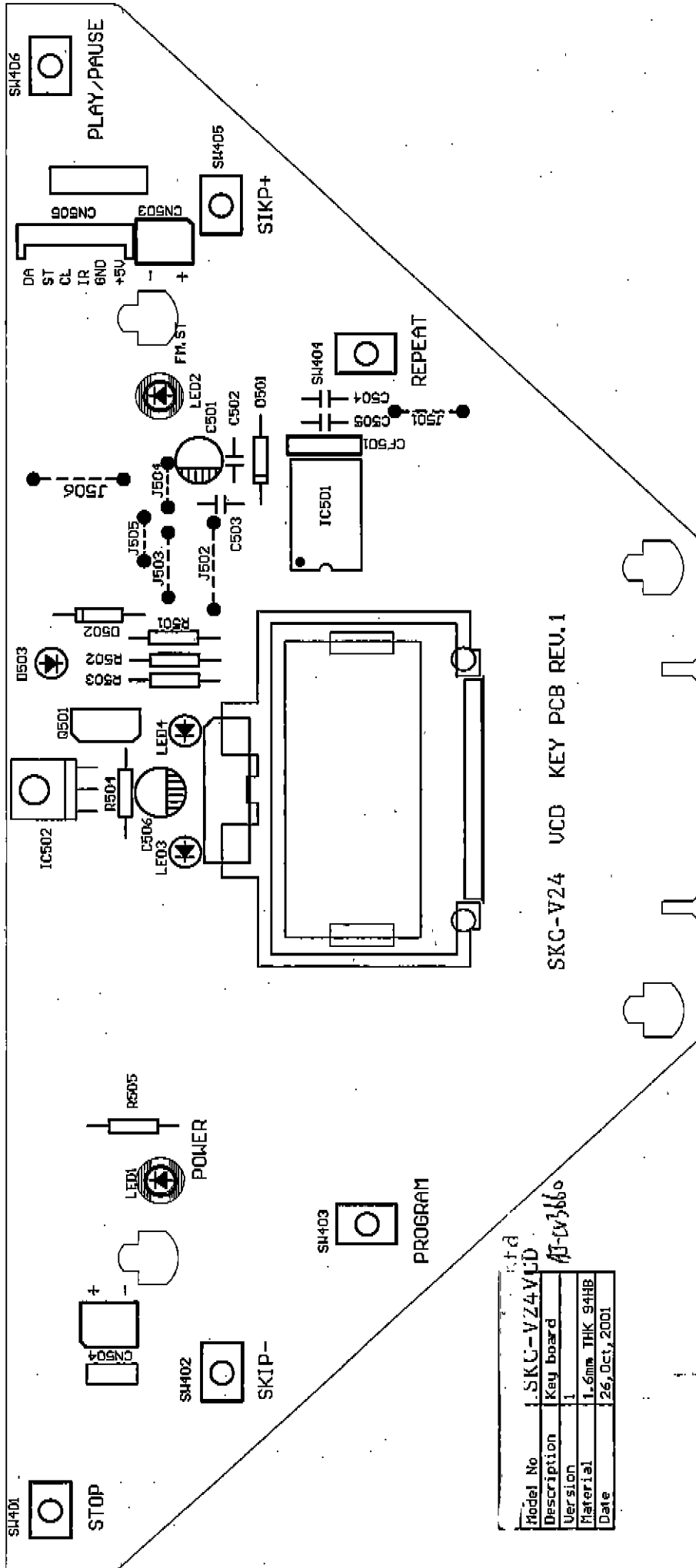
Model No	SKC-V24VCD
Description	Tun board
Version	1
Material	1.6mm THK 94HB
Date	26 Oct, 2001

AJ-cv3660



SKC-V24VCD

TUNER BOARD

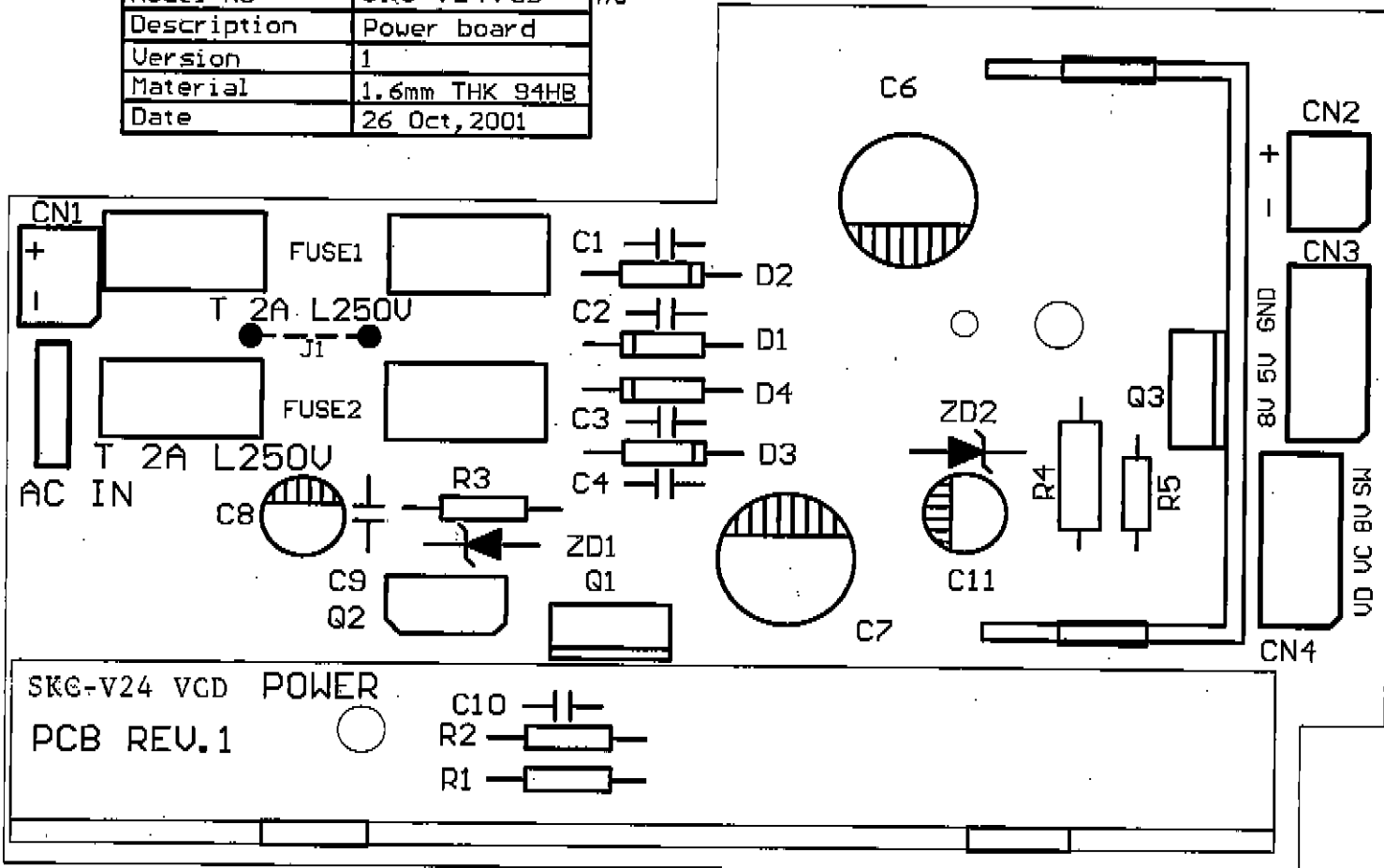


SKG-V24 UCD KEY PCB REV.1

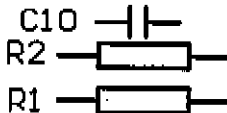
Model No	1.SKG-V24VCD
Description	Key board
Version	1
Material	1.6mm THK 94HB
Date	26, Oct, 2001

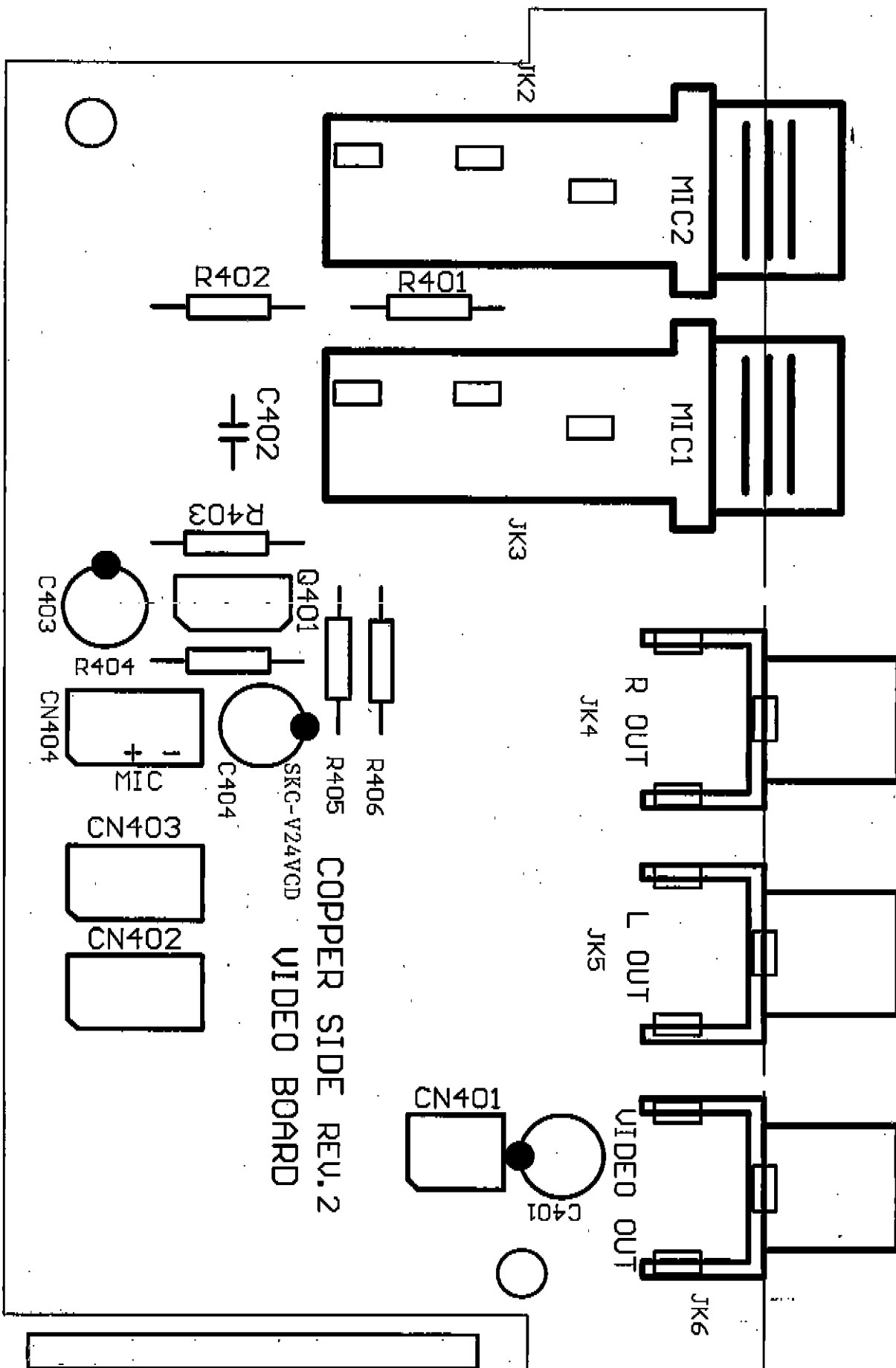
Model No	SKC-V24VCD
Description	Power board
Version	1
Material	1.6mm THK 94HB
Date	26 Oct, 2001

AJ-CV3660

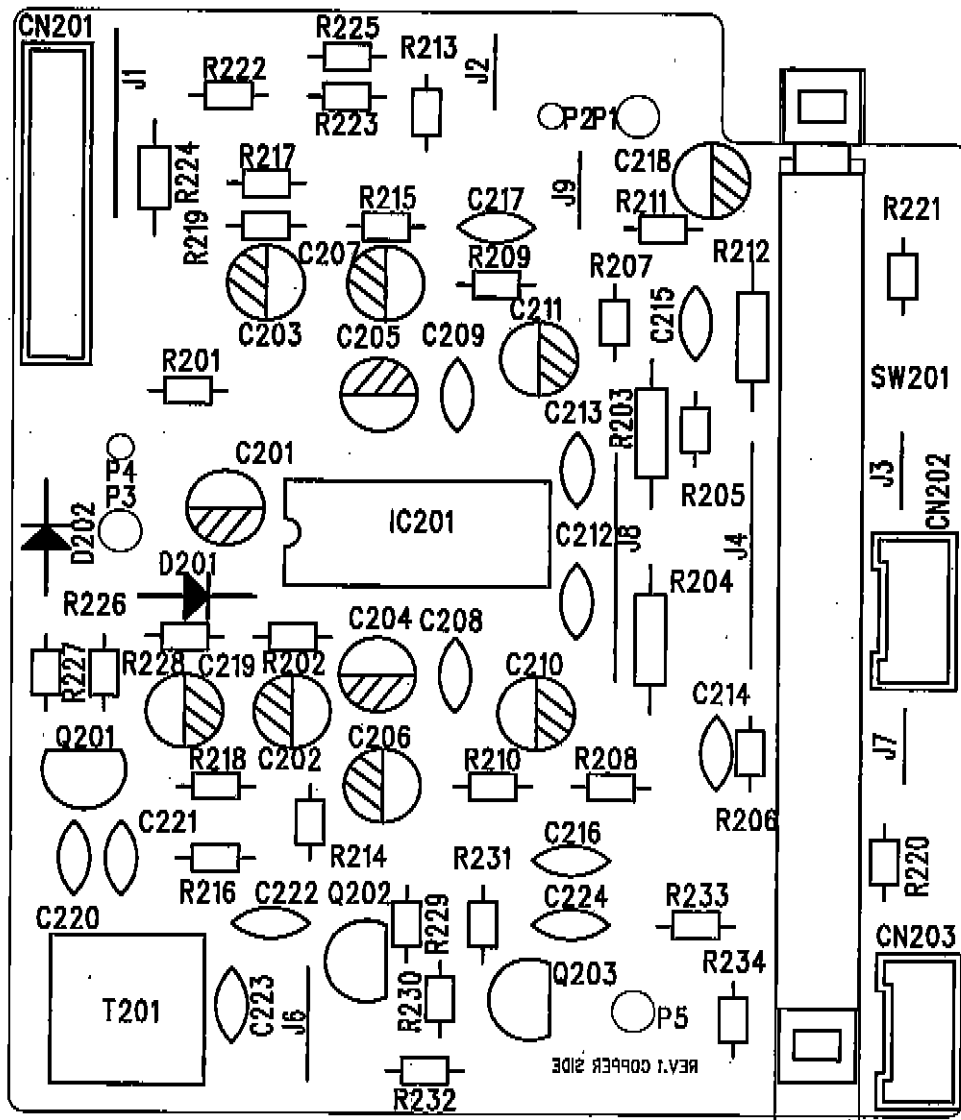


SKC-V24 VCD POWER  
PCB REV.1



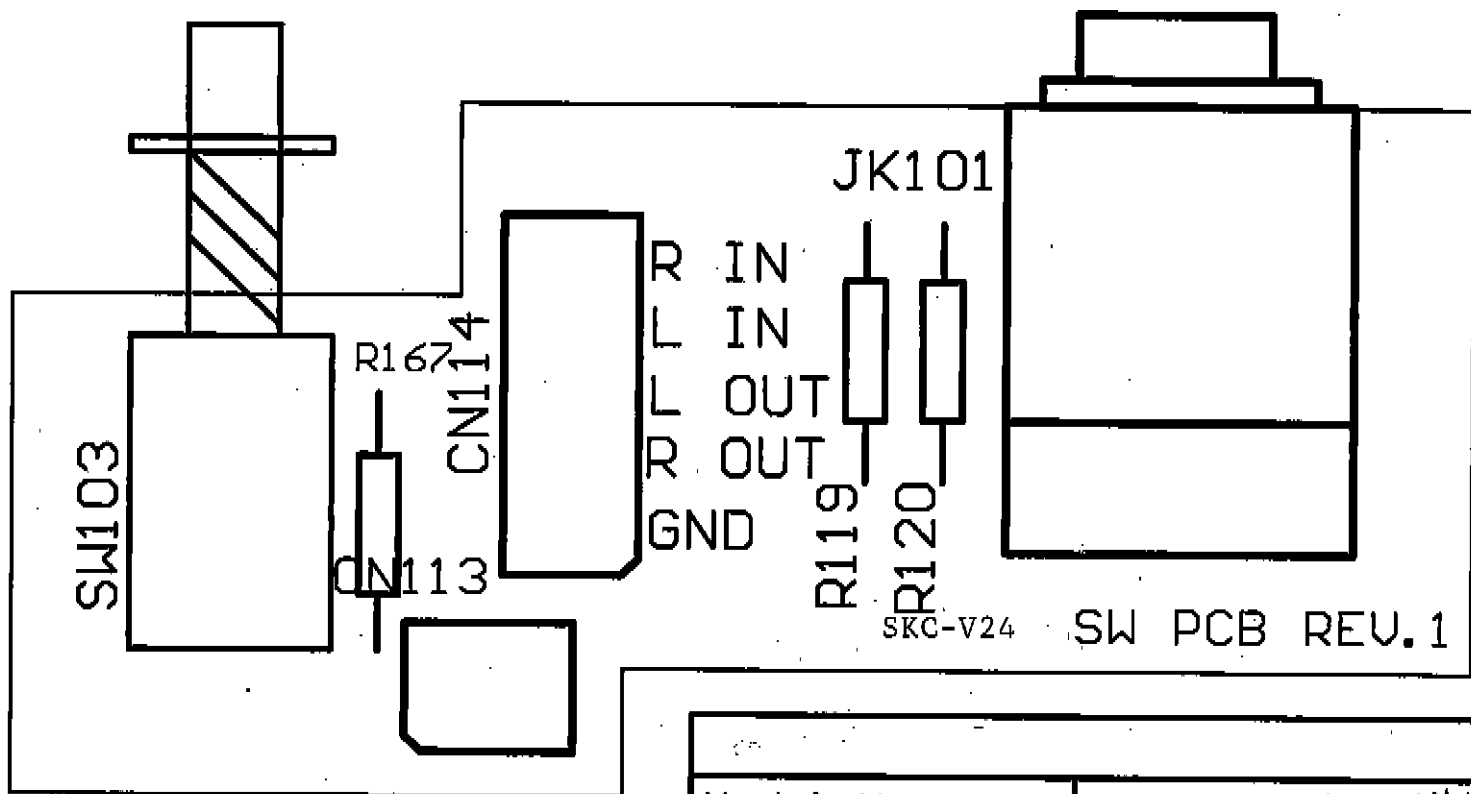


Model No	SKC-V24.VCD
Description	Video board
Version	2
Material	1.6mm THK 94HB
Date	04 July., 2001



Model No	SKC-V24 VCD
Description	TAPE board
Version	1
Material	1.6mm THK 94HB
Date	30 OCT.2001

AJ-cr3660

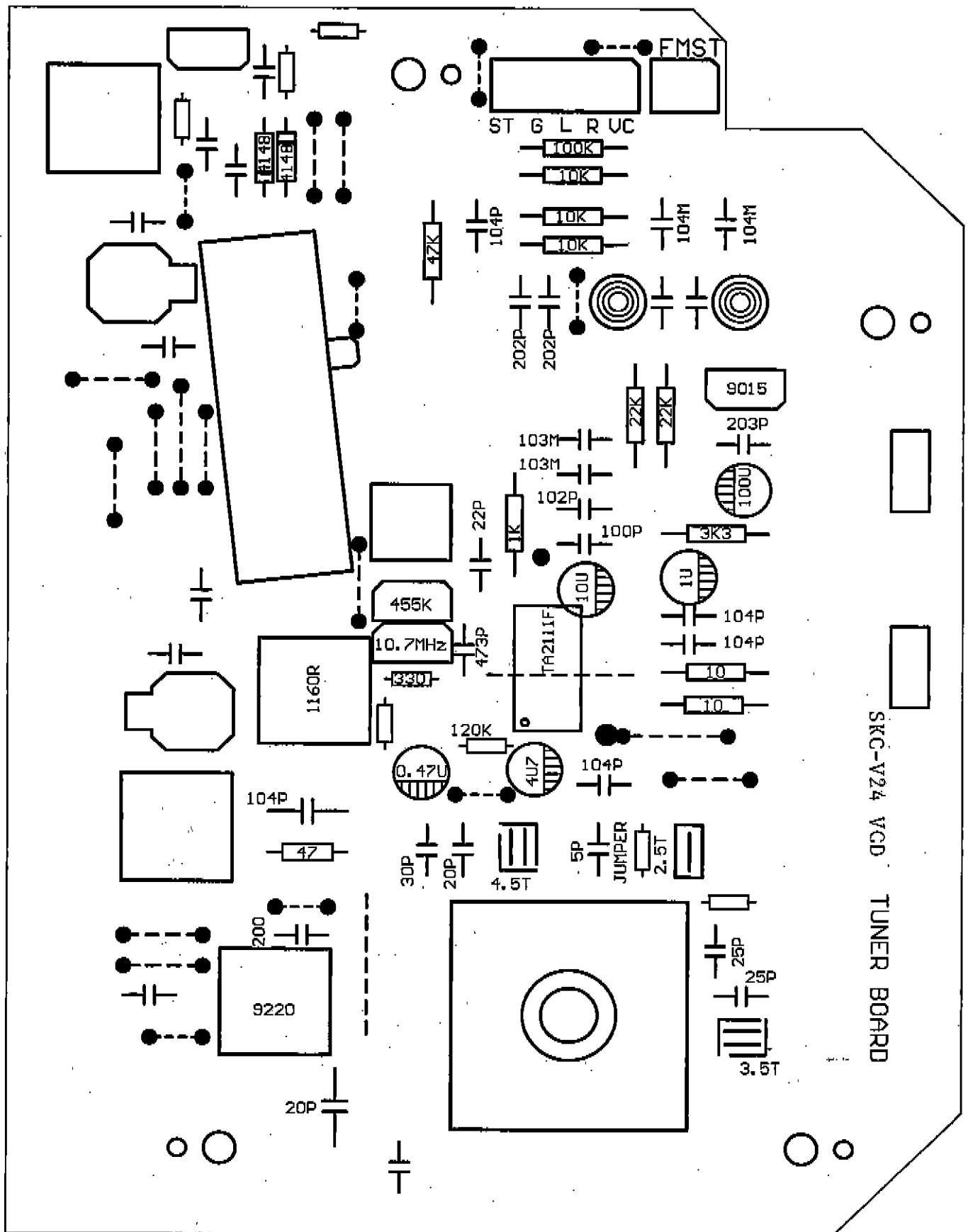


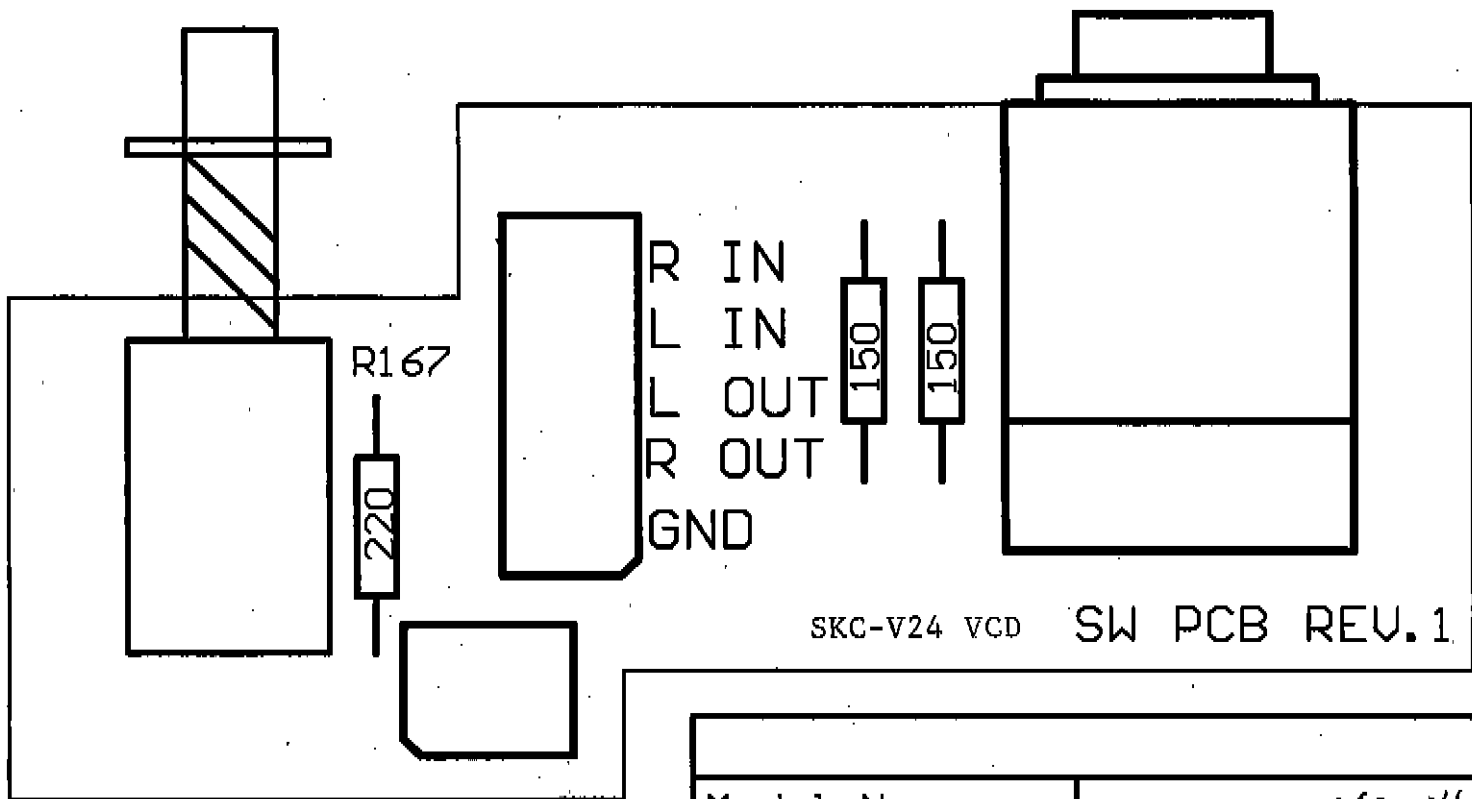
Model No.	SKC-V24 VCD (AJ-Cr)660
Description	7795Sw board
Version	1
Material	1.6mm THK 94HB
Date	26 Oct., 2001





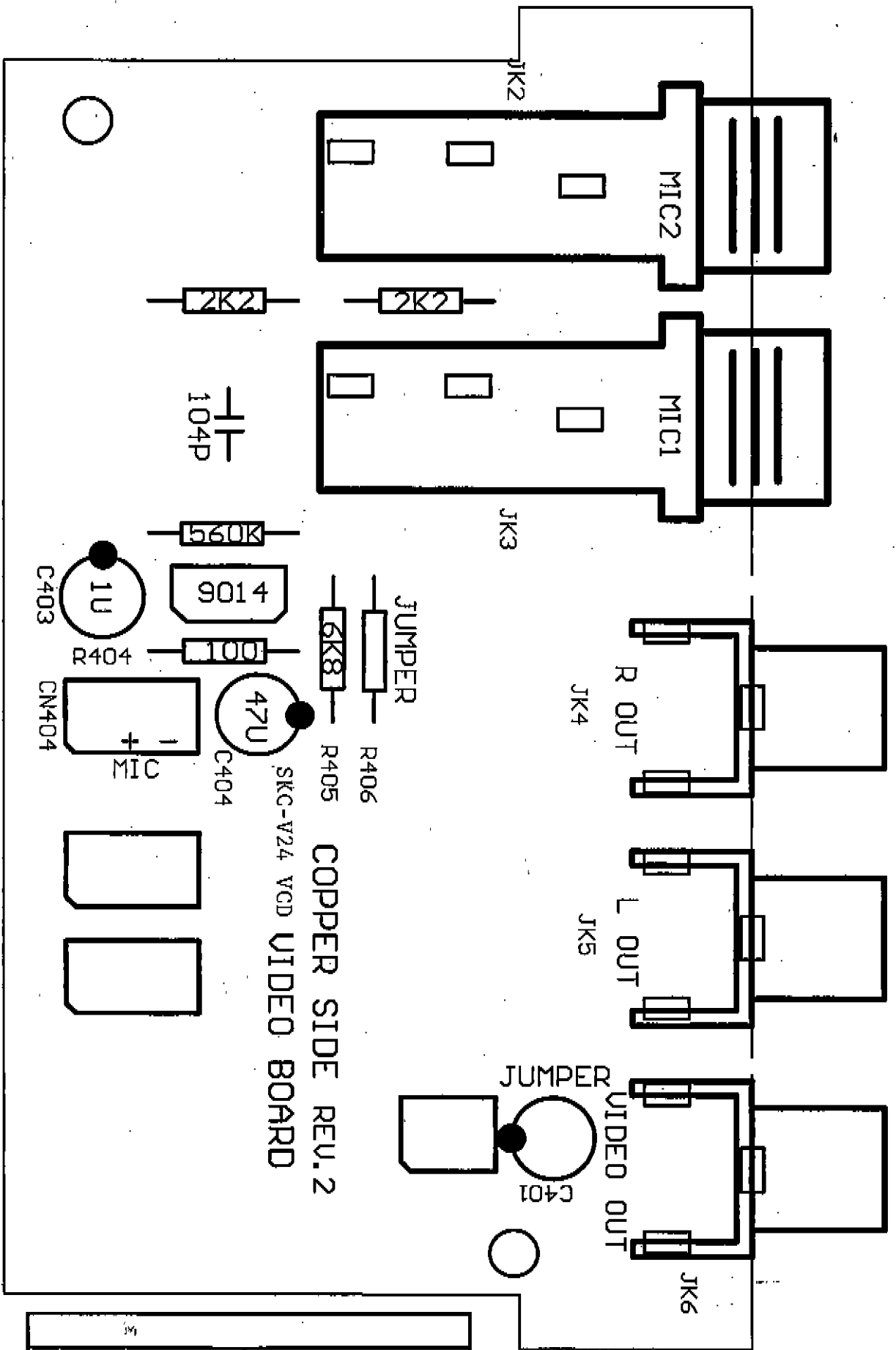
Model No	SKC-V24 VCD (AJ-cv3660)
Description	Tun board
Version	1
Material	1.6mm THK 94HB
Date	26 Oct, 2001





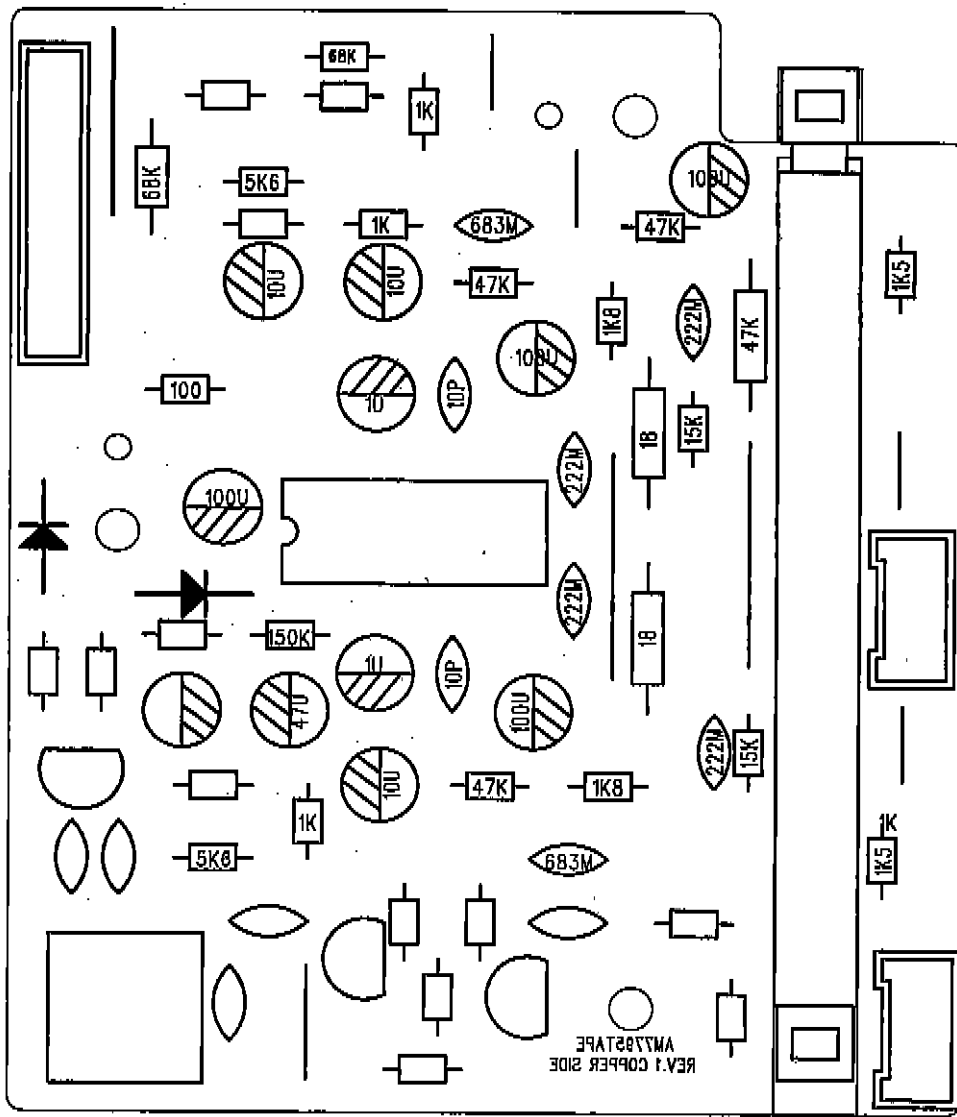
SKC-V24 VCD SW PCB REV.1

Model No	SKC-V24 VCD (AJ-cv366)
Description	Sw board
Version	1
Material	1.6mm THK 94HB
Date	26 Oct., 2001



Model No	SKC-V24 VCD
Description	Video board
Version	2
Material	1.6mm THK 94HB
Date	04 July., 2001

(AJ-cr366a)

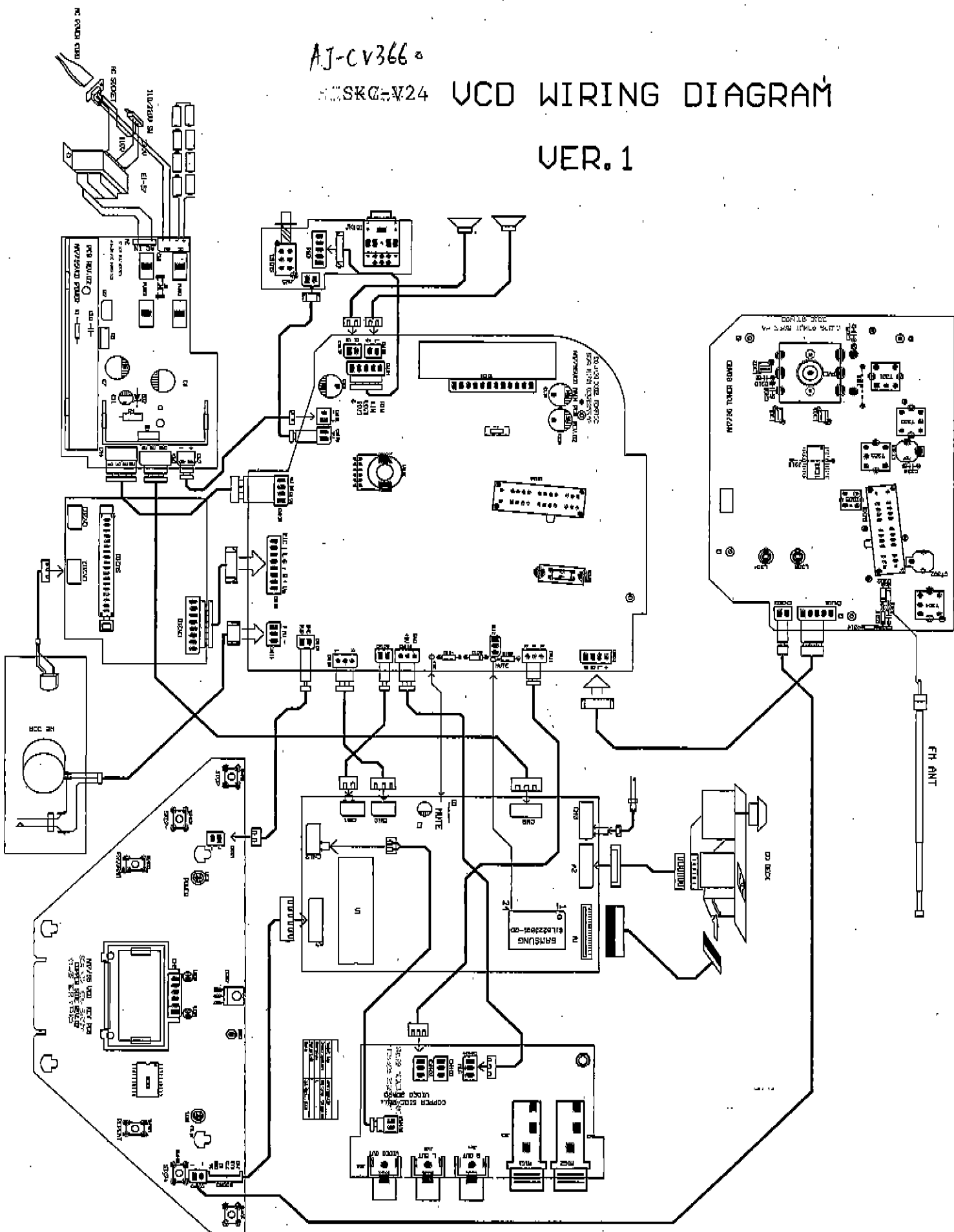


Model No	SKC-V24_VCD (AJ-cv3660)
Description	TAPE board
Version	1
Material	1.6mm THK 94HB
Date	30 OCT.2001

AJ-CV366

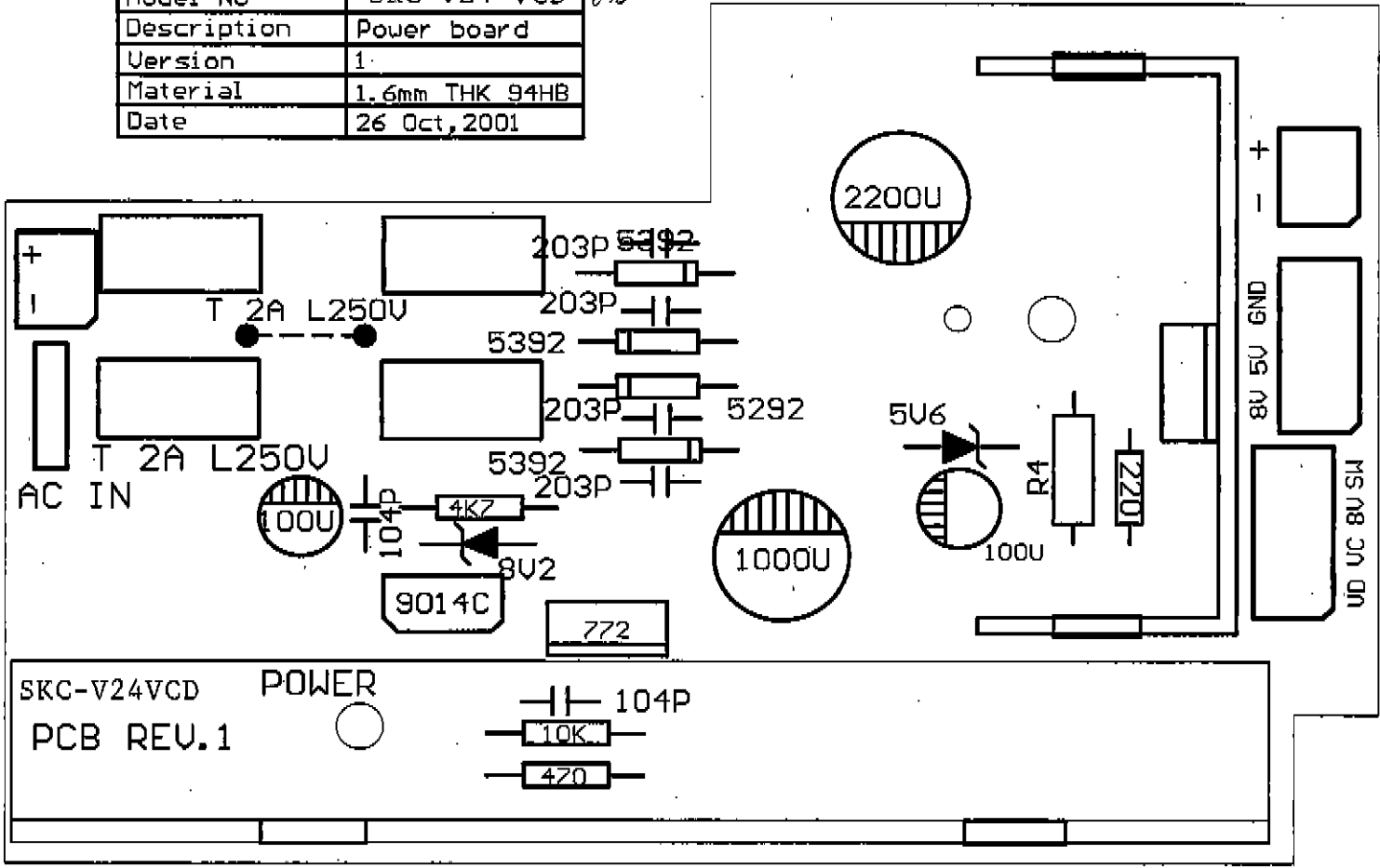
# MSKRG-V24 VCD WIRING DIAGRAM

VER. 1



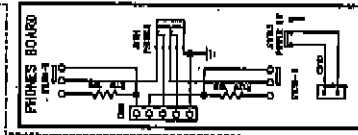
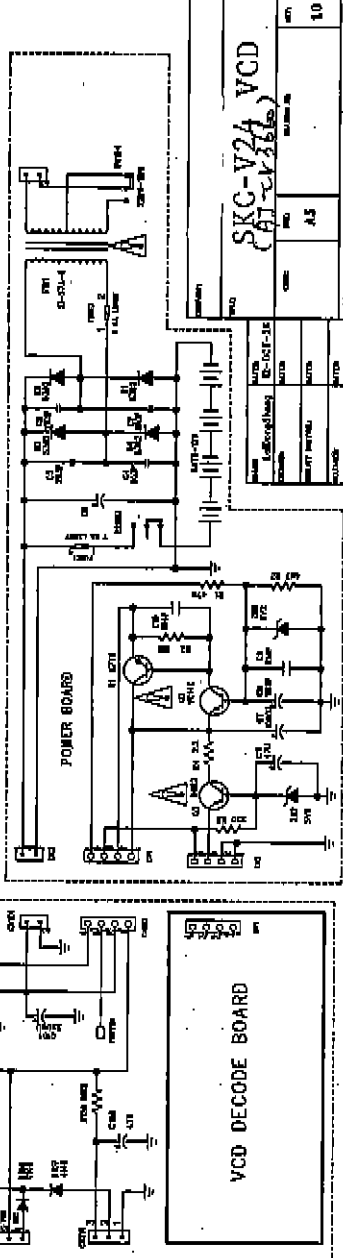
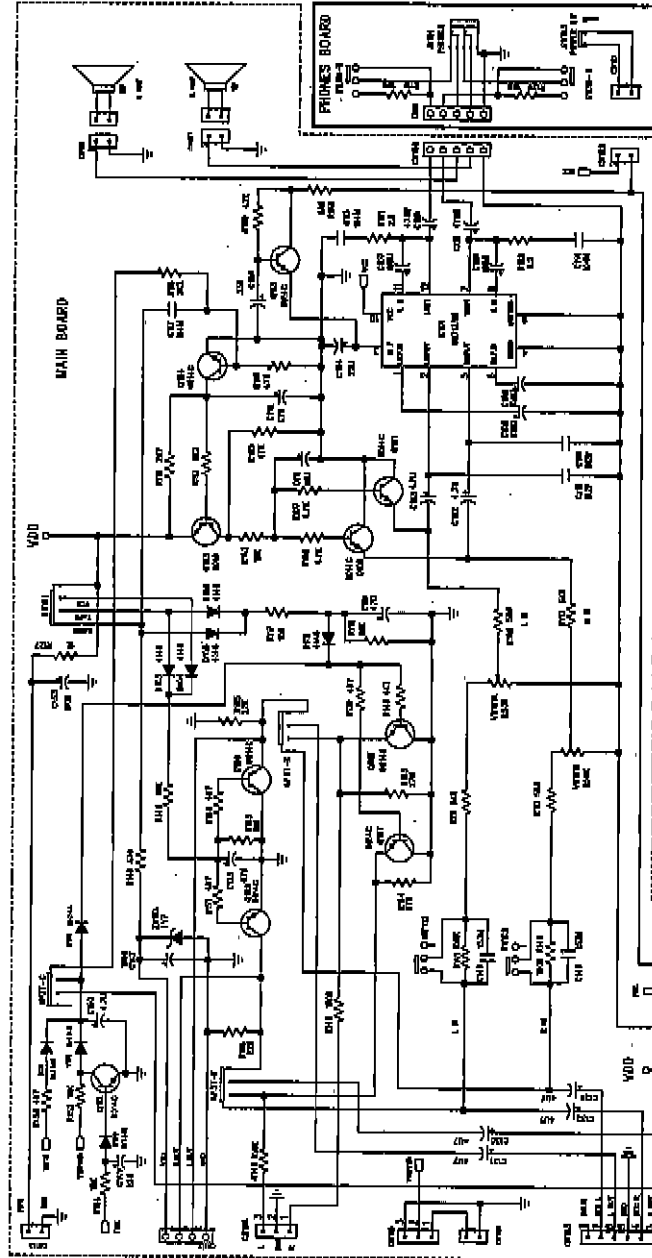
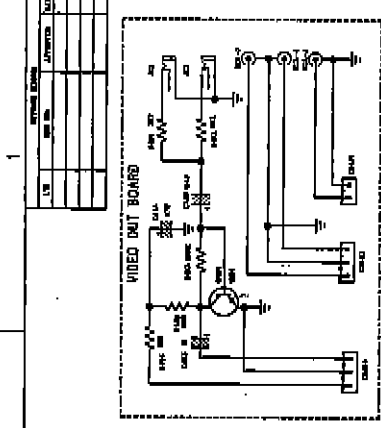
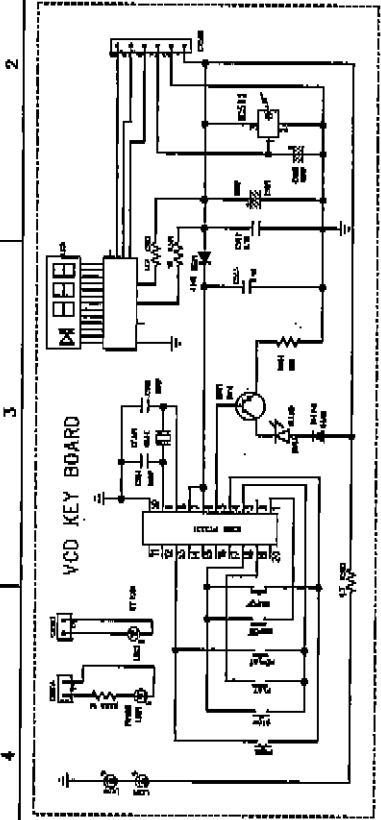
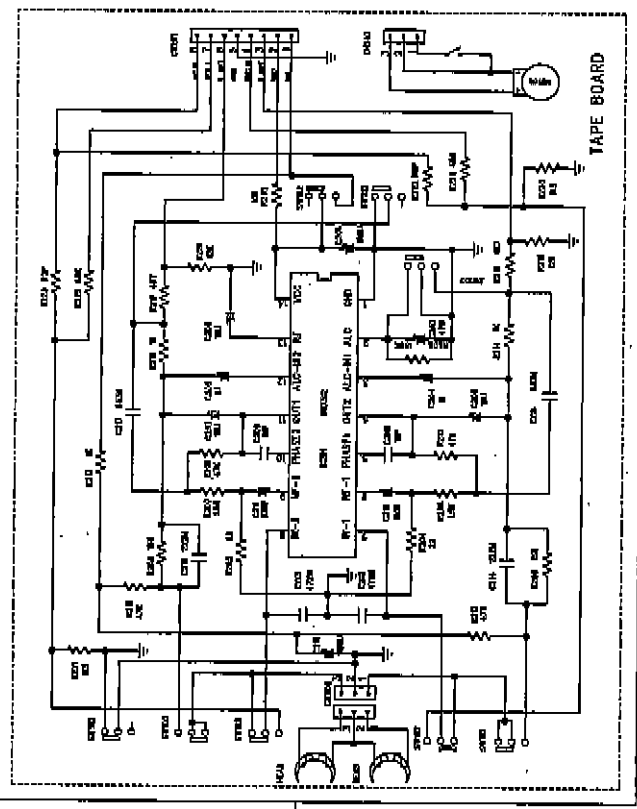
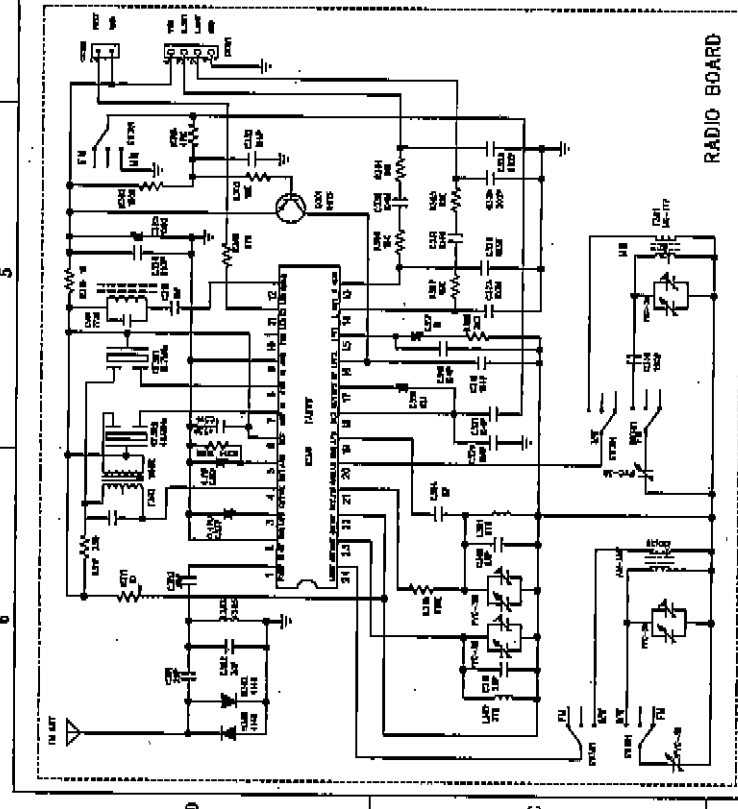
Model No	SKC-V24 VCD
Description	Power board
Version	1
Material	1.6mm THK 94HB
Date	26 Oct, 2001

AJ-CV366



SKC-V24VCD POWER  
 PCB REV.1

104P  
 10K  
 470



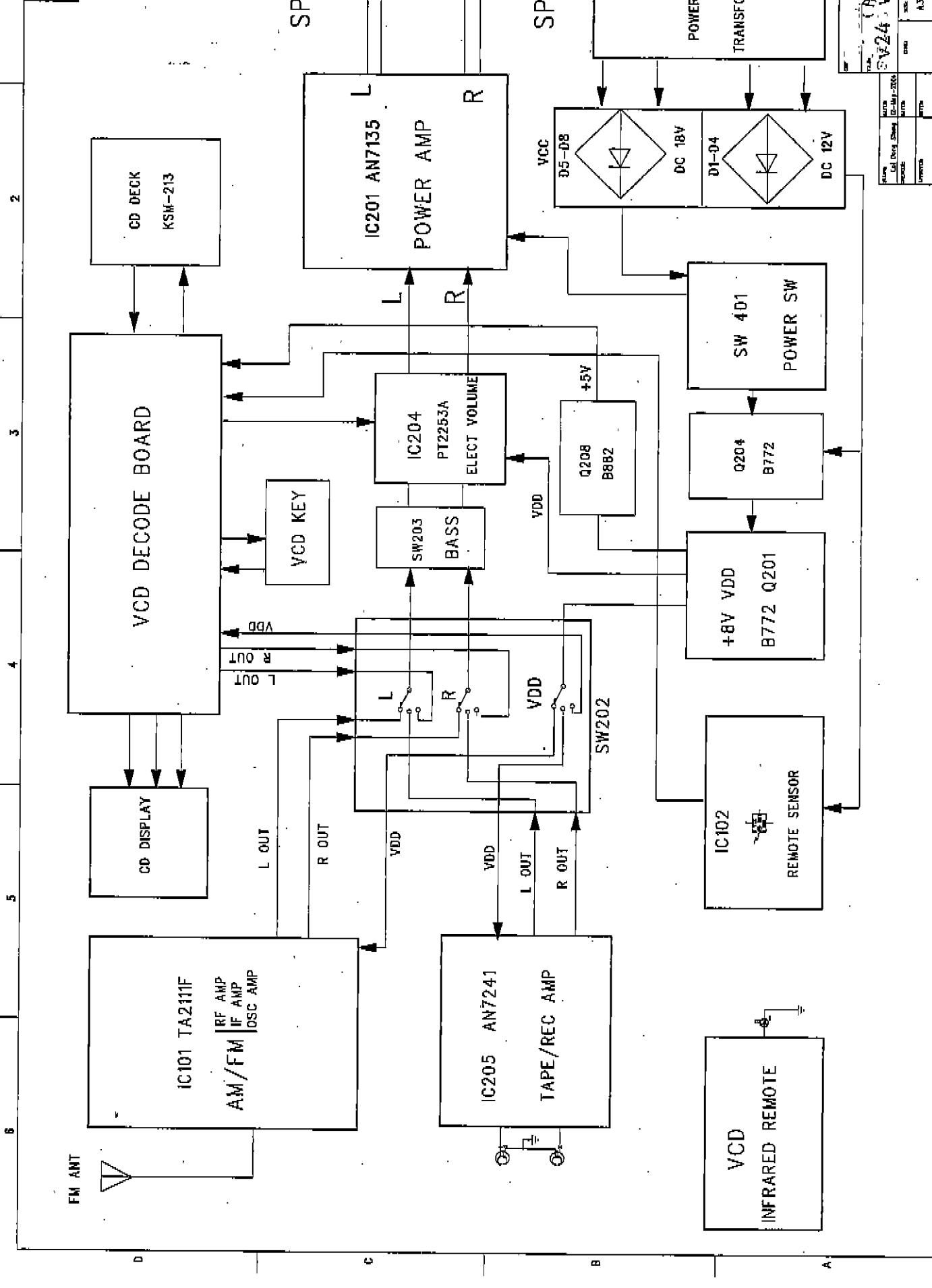
REV	DATE	BY	CHKD
10			

**SKC-V2A VCD**  
(AT-2736)

DATE	DESIGNED BY	CHECKED BY
DATE	APPROVED BY	REVISION



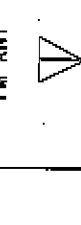
REV. NO.	DATE	BY



REV. NO. DATE BY  
 1.0  
 A.3  
 VCD BLOCK DIAGRAM  
 (RJ-CV3666)  
 SV24

1 2 3 4 5 6

FM ANT



CD DECK  
KSM-213

VCD DECODE BOARD

CD DISPLAY

IC101 TA2111F  
RF AMP  
IF AMP  
OSC AMP  
AM/FM

IC205 AN7241  
TAPE/REC AMP

IC204 PT253A  
ELECT VOLUME

IC201 AN7135  
POWER AMP

IC102  
REMOTE SENSOR

VCD KEY

SW203  
BASS

SW 401  
POWER SW

Q208 B882  
+5V

Q204 B772

DC 18V

DC 12V

POWER TRANSFORMER

VCD DISPLAY

IC101 TA2111F  
RF AMP  
IF AMP  
OSC AMP  
AM/FM

IC205 AN7241  
TAPE/REC AMP

IC204 PT253A  
ELECT VOLUME

IC201 AN7135  
POWER AMP

IC102  
REMOTE SENSOR

VCD KEY

SW203  
BASS

SW 401  
POWER SW

Q208 B882  
+5V

Q204 B772

DC 18V

DC 12V

POWER TRANSFORMER

VCD DISPLAY

IC101 TA2111F  
RF AMP  
IF AMP  
OSC AMP  
AM/FM

IC205 AN7241  
TAPE/REC AMP

IC204 PT253A  
ELECT VOLUME

IC201 AN7135  
POWER AMP

IC102  
REMOTE SENSOR

VCD KEY

SW203  
BASS

SW 401  
POWER SW

Q208 B882  
+5V

Q204 B772

DC 18V

DC 12V

POWER TRANSFORMER

VCD DISPLAY

IC101 TA2111F  
RF AMP  
IF AMP  
OSC AMP  
AM/FM

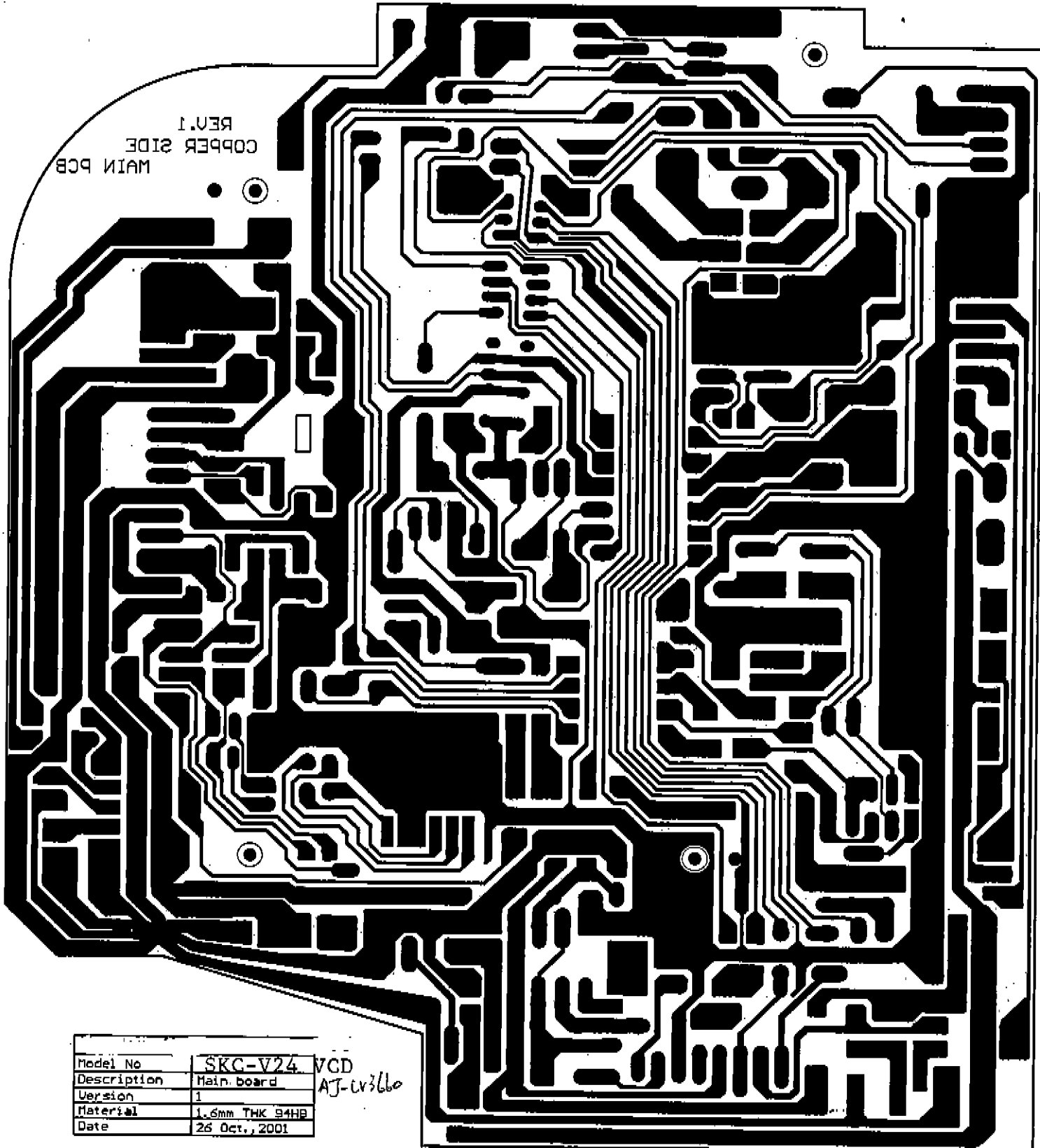
IC205 AN7241  
TAPE/REC AMP

IC204 PT253A  
ELECT VOLUME

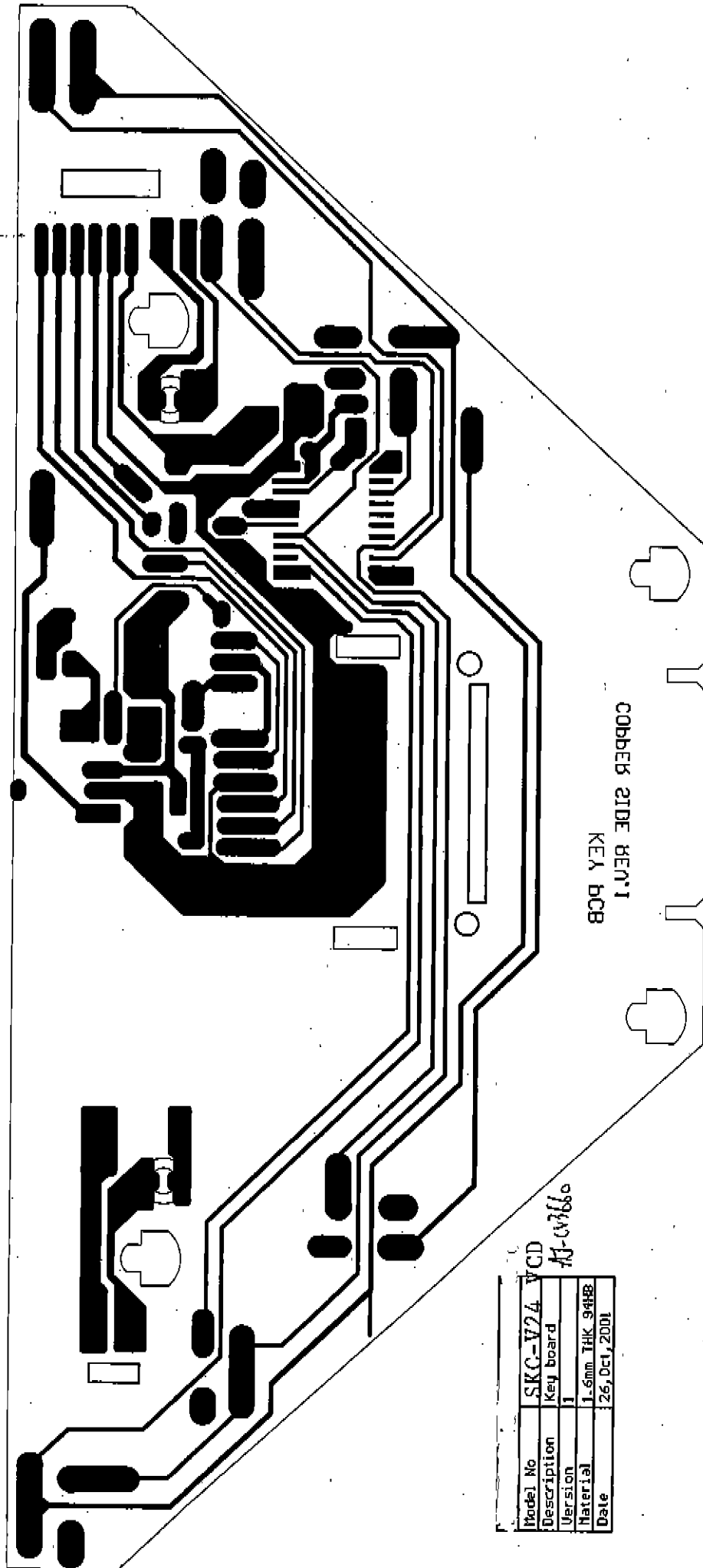
IC201 AN7135  
POWER AMP

IC102  
REMOTE SENSOR

REV.1  
COPPER SIDE  
MAIN PCB



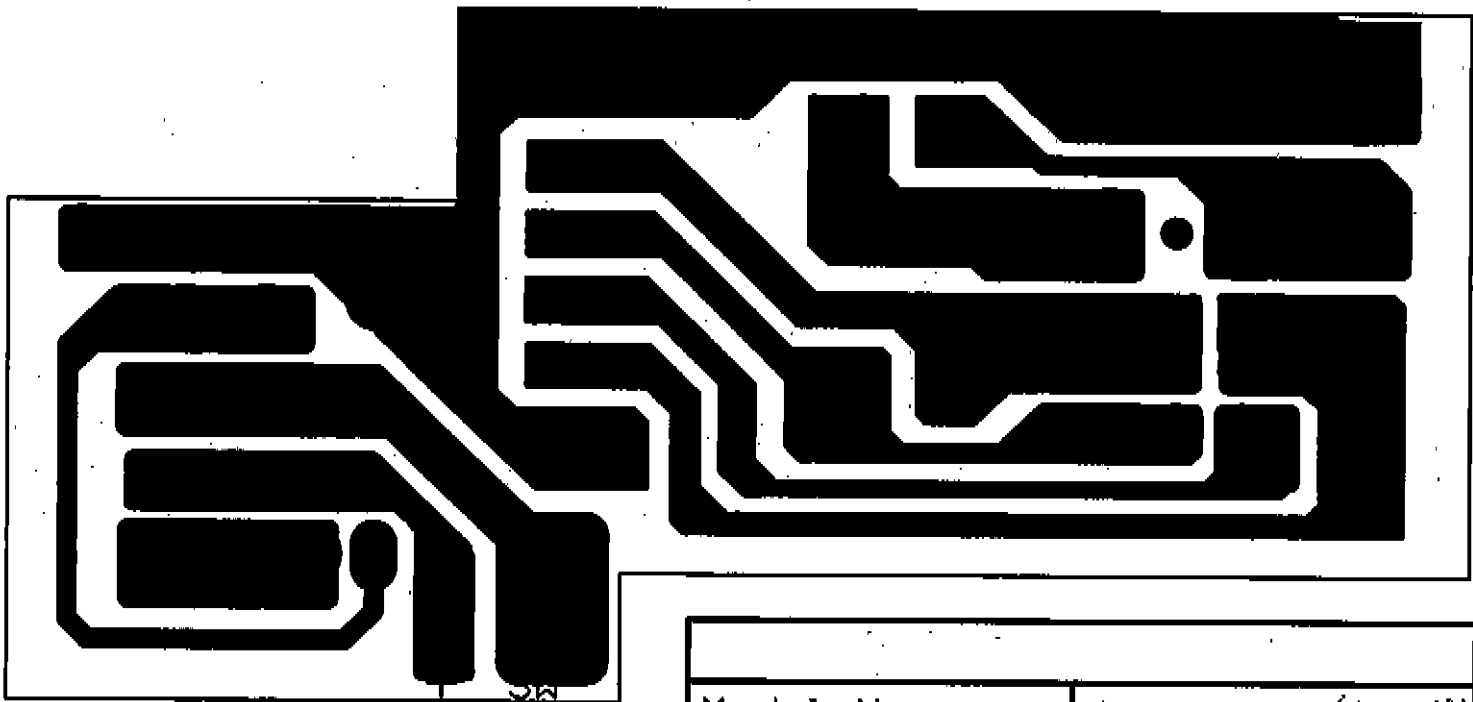
Model No	SKC-V24 VCD
Description	Main board AJ-10366
Version	1
Material	1.6mm THK 94HB
Date	26 Oct., 2001



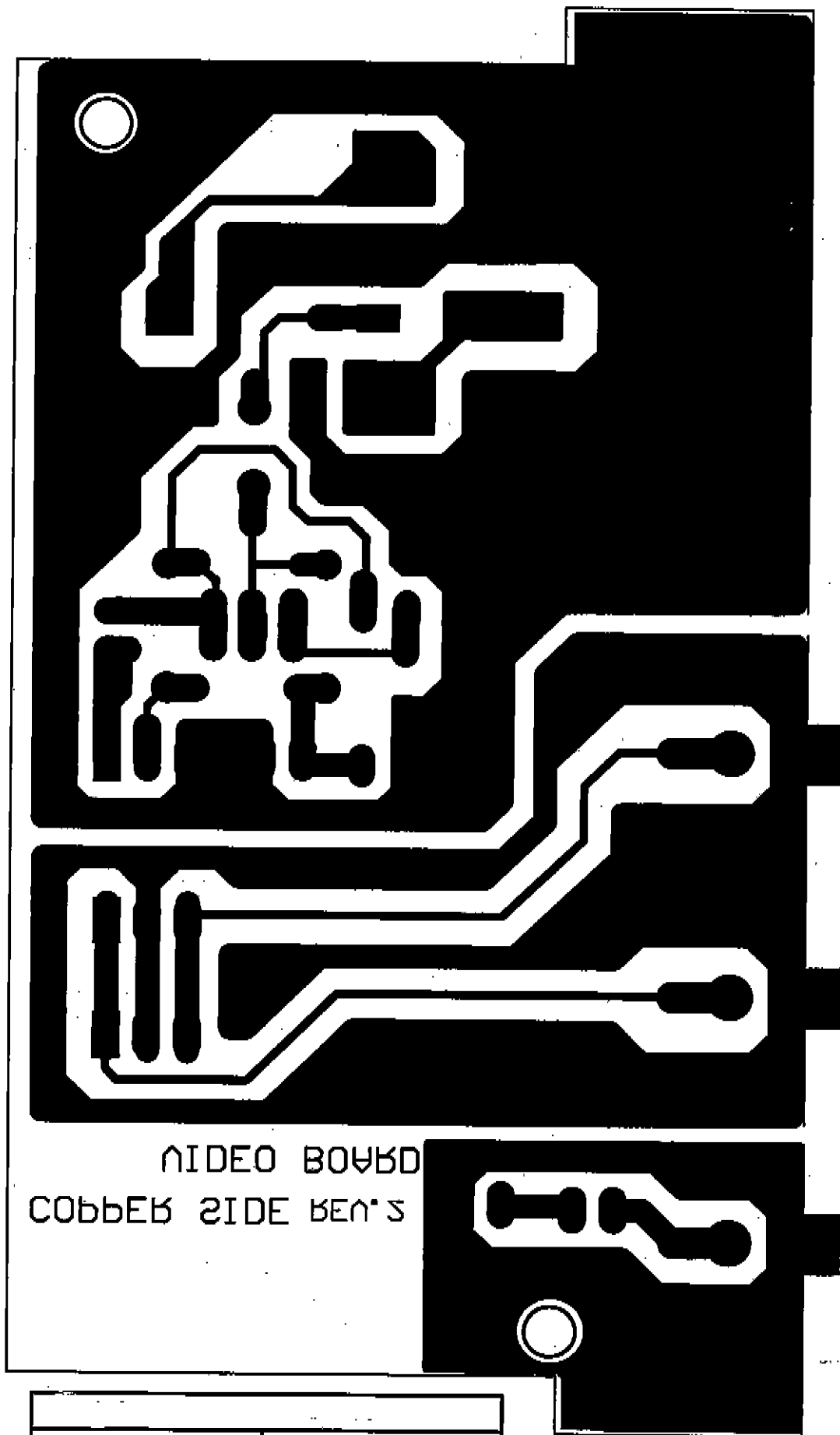
COPPER SIDE REV.1  
KEY PCB

Model No	SKC-V24 VCD
Description	Key board
Version	1
Material	1.6mm THK 94HB
Date	26, Oct, 2001

AJ-03/06

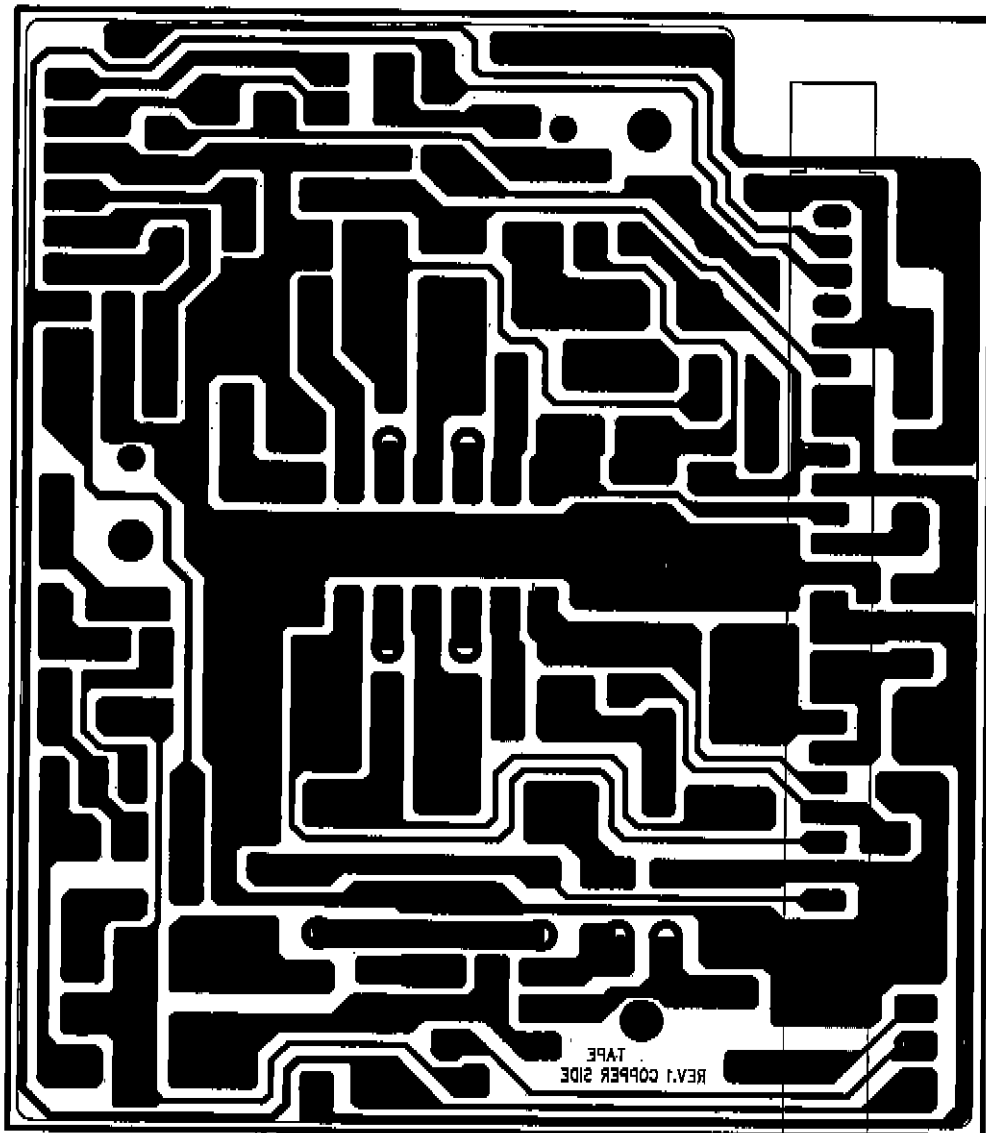


Model No	SKC-V24 VCD (AJ-cr366)
Description	7795Su board
Version	1
Material	1.6mm THK 94HB
Date	26 Oct., 2001



VIDEO BOARD  
 COPPER SIDE REV'S

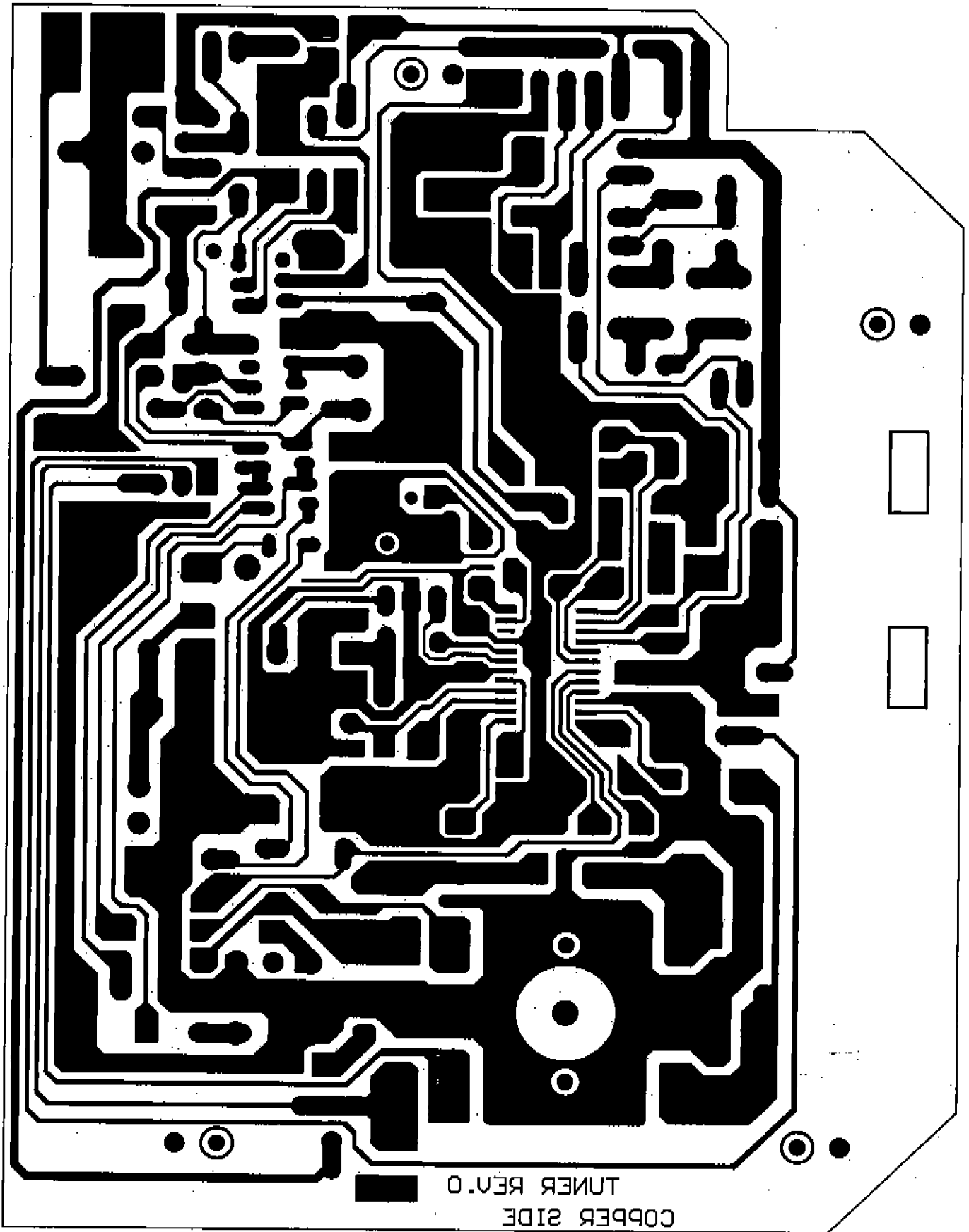
Model No	SKG-V24 VCD (AJ-CV366a)
Description	Video board
Version	2
Material	1.6mm THK 94HB
Date	04 July., 2001



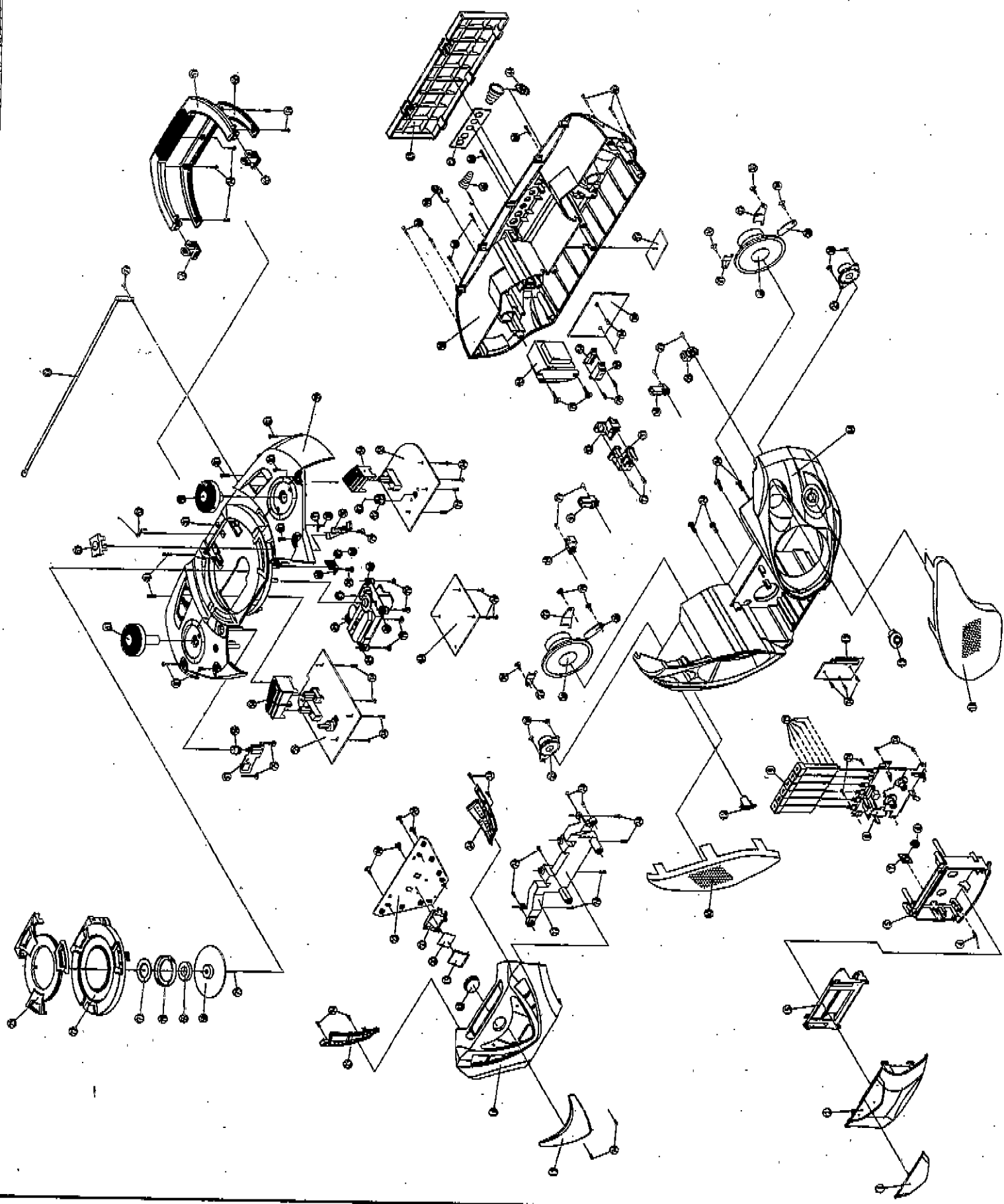
Model No	SKC-V24 VGD (AJ-cv3660)
Description	TAPE board
Version	1
Material	1.6mm THK 94HB
Date	30 OCT.2001

Model No	SKC-V24 VGD
Description	Tun board
Version	1
Material	1.6mm THK 94HB
Date	26 Oct, 2001

(AJ-cv3660)



REV	DATE	BY	CHKD	DESCRIPTION
1	11-15-57	J. H. ...	J. H. ...	ISSUED FOR PRODUCTION
2	11-15-57	J. H. ...	J. H. ...	REVISIONS
3	11-15-57	J. H. ...	J. H. ...	REVISIONS
4	11-15-57	J. H. ...	J. H. ...	REVISIONS
5	11-15-57	J. H. ...	J. H. ...	REVISIONS
6	11-15-57	J. H. ...	J. H. ...	REVISIONS
7	11-15-57	J. H. ...	J. H. ...	REVISIONS
8	11-15-57	J. H. ...	J. H. ...	REVISIONS
9	11-15-57	J. H. ...	J. H. ...	REVISIONS
10	11-15-57	J. H. ...	J. H. ...	REVISIONS
11	11-15-57	J. H. ...	J. H. ...	REVISIONS
12	11-15-57	J. H. ...	J. H. ...	REVISIONS
13	11-15-57	J. H. ...	J. H. ...	REVISIONS
14	11-15-57	J. H. ...	J. H. ...	REVISIONS
15	11-15-57	J. H. ...	J. H. ...	REVISIONS
16	11-15-57	J. H. ...	J. H. ...	REVISIONS
17	11-15-57	J. H. ...	J. H. ...	REVISIONS
18	11-15-57	J. H. ...	J. H. ...	REVISIONS
19	11-15-57	J. H. ...	J. H. ...	REVISIONS
20	11-15-57	J. H. ...	J. H. ...	REVISIONS
21	11-15-57	J. H. ...	J. H. ...	REVISIONS
22	11-15-57	J. H. ...	J. H. ...	REVISIONS
23	11-15-57	J. H. ...	J. H. ...	REVISIONS
24	11-15-57	J. H. ...	J. H. ...	REVISIONS
25	11-15-57	J. H. ...	J. H. ...	REVISIONS
26	11-15-57	J. H. ...	J. H. ...	REVISIONS
27	11-15-57	J. H. ...	J. H. ...	REVISIONS
28	11-15-57	J. H. ...	J. H. ...	REVISIONS
29	11-15-57	J. H. ...	J. H. ...	REVISIONS
30	11-15-57	J. H. ...	J. H. ...	REVISIONS
31	11-15-57	J. H. ...	J. H. ...	REVISIONS
32	11-15-57	J. H. ...	J. H. ...	REVISIONS
33	11-15-57	J. H. ...	J. H. ...	REVISIONS
34	11-15-57	J. H. ...	J. H. ...	REVISIONS
35	11-15-57	J. H. ...	J. H. ...	REVISIONS
36	11-15-57	J. H. ...	J. H. ...	REVISIONS
37	11-15-57	J. H. ...	J. H. ...	REVISIONS
38	11-15-57	J. H. ...	J. H. ...	REVISIONS
39	11-15-57	J. H. ...	J. H. ...	REVISIONS
40	11-15-57	J. H. ...	J. H. ...	REVISIONS
41	11-15-57	J. H. ...	J. H. ...	REVISIONS
42	11-15-57	J. H. ...	J. H. ...	REVISIONS
43	11-15-57	J. H. ...	J. H. ...	REVISIONS
44	11-15-57	J. H. ...	J. H. ...	REVISIONS
45	11-15-57	J. H. ...	J. H. ...	REVISIONS
46	11-15-57	J. H. ...	J. H. ...	REVISIONS
47	11-15-57	J. H. ...	J. H. ...	REVISIONS
48	11-15-57	J. H. ...	J. H. ...	REVISIONS
49	11-15-57	J. H. ...	J. H. ...	REVISIONS
50	11-15-57	J. H. ...	J. H. ...	REVISIONS
51	11-15-57	J. H. ...	J. H. ...	REVISIONS
52	11-15-57	J. H. ...	J. H. ...	REVISIONS
53	11-15-57	J. H. ...	J. H. ...	REVISIONS
54	11-15-57	J. H. ...	J. H. ...	REVISIONS
55	11-15-57	J. H. ...	J. H. ...	REVISIONS
56	11-15-57	J. H. ...	J. H. ...	REVISIONS
57	11-15-57	J. H. ...	J. H. ...	REVISIONS
58	11-15-57	J. H. ...	J. H. ...	REVISIONS
59	11-15-57	J. H. ...	J. H. ...	REVISIONS
60	11-15-57	J. H. ...	J. H. ...	REVISIONS
61	11-15-57	J. H. ...	J. H. ...	REVISIONS
62	11-15-57	J. H. ...	J. H. ...	REVISIONS
63	11-15-57	J. H. ...	J. H. ...	REVISIONS
64	11-15-57	J. H. ...	J. H. ...	REVISIONS
65	11-15-57	J. H. ...	J. H. ...	REVISIONS
66	11-15-57	J. H. ...	J. H. ...	REVISIONS
67	11-15-57	J. H. ...	J. H. ...	REVISIONS
68	11-15-57	J. H. ...	J. H. ...	REVISIONS
69	11-15-57	J. H. ...	J. H. ...	REVISIONS
70	11-15-57	J. H. ...	J. H. ...	REVISIONS
71	11-15-57	J. H. ...	J. H. ...	REVISIONS
72	11-15-57	J. H. ...	J. H. ...	REVISIONS
73	11-15-57	J. H. ...	J. H. ...	REVISIONS
74	11-15-57	J. H. ...	J. H. ...	REVISIONS
75	11-15-57	J. H. ...	J. H. ...	REVISIONS
76	11-15-57	J. H. ...	J. H. ...	REVISIONS
77	11-15-57	J. H. ...	J. H. ...	REVISIONS
78	11-15-57	J. H. ...	J. H. ...	REVISIONS
79	11-15-57	J. H. ...	J. H. ...	REVISIONS
80	11-15-57	J. H. ...	J. H. ...	REVISIONS
81	11-15-57	J. H. ...	J. H. ...	REVISIONS
82	11-15-57	J. H. ...	J. H. ...	REVISIONS
83	11-15-57	J. H. ...	J. H. ...	REVISIONS
84	11-15-57	J. H. ...	J. H. ...	REVISIONS
85	11-15-57	J. H. ...	J. H. ...	REVISIONS
86	11-15-57	J. H. ...	J. H. ...	REVISIONS
87	11-15-57	J. H. ...	J. H. ...	REVISIONS
88	11-15-57	J. H. ...	J. H. ...	REVISIONS
89	11-15-57	J. H. ...	J. H. ...	REVISIONS
90	11-15-57	J. H. ...	J. H. ...	REVISIONS
91	11-15-57	J. H. ...	J. H. ...	REVISIONS
92	11-15-57	J. H. ...	J. H. ...	REVISIONS
93	11-15-57	J. H. ...	J. H. ...	REVISIONS
94	11-15-57	J. H. ...	J. H. ...	REVISIONS
95	11-15-57	J. H. ...	J. H. ...	REVISIONS
96	11-15-57	J. H. ...	J. H. ...	REVISIONS
97	11-15-57	J. H. ...	J. H. ...	REVISIONS
98	11-15-57	J. H. ...	J. H. ...	REVISIONS
99	11-15-57	J. H. ...	J. H. ...	REVISIONS
100	11-15-57	J. H. ...	J. H. ...	REVISIONS





BILL OF MATERIAL

MODEL NO: SKC-V24 VCD (AJ-CV3660)

ISSUED DATE: 26-Oct-01

CATEGORY: CD/VCD PLAYER AND CASSETTE; RADIO (FM/AM) SYSTEM 5W

REVISION DATE

ITEM	PART NO	DESCRIPTION	QTY	N/P	SYMBOL
1		P.C.B 7=1.6MM KB OF ZD			
1		VCD DISPLAY PCB REV.1 SIZE=27.2X27.7MM,THK=1.6MM	1		VCD DISPLAY PCB REV.1
3		AM7795VCD KEY PCB SIZE=180X77mm,THK=1.6mm	1		AM7795 CD/VCD KEY PCB REV.1
4		AM7795VCD MAIN PCB SIZE=146X126MM THK=1.6MM	1		AM7795 MAIN PCB REV.1
5		AM7795VCD POWER PCB REV.1 SIZE=87X57MM,THK=1.6MM	1		AM7795 POWER PCB REV.1
6		AM7795 TAPE PCB REV.1 SIZE=99MMX65MM,THK=1.6MM	1		AM7795 TAPE PCB REV.1
7		AM7795 TUNER PCB REV.1 SIZE=119MMX90MM THK=1.6MM	1		AM7795 TUNER PCB REV.1
8		AM7555 VIDEO BOARD REV.1 SIZE=50X93MM THK=1.6MM	1		AM7555 VIDEO BOARD REV.1
9		AM7795 POWER SWITCH PCB SIZE=56MMX27MM THK=1.6MM	1		AM7795 POWER SWITCH PCB
10		VCD DECODE PCB DT887 SIZE=112X70MM THK=1.6MM	1		AM7795 POWER SWITCH PCB 成品板
11		INTEGRATED CIRCUIT			
12		IC TA211F (SOP) FOR AM/EM OSC + FM/AM IE.	1		IC 301
13		IC AN7312 (DIP) FOR DUAL PRE-AMPLIFIER + ALC.	1		IC 201
14		IC AN715N (SIP) FOR 5W X 2CH DUAL POWER AMPLIFIER.	1		IC 101
15		IC PT2221-401 (SOP) FOR REMOTE	1		IC 501
16		IC HT1621 RAM MAPPING 32X4 LCD CONTROLLER FOR I/O UC 静态IC	1		FOR VCD DISPLAY PCB
17		INFRARED RECEIVE MODULE HS0098B, PACKAGE=TAPPING FROM	1		IC 502
18		IC WINDOND W7C02P (VCD程序IC)	1		(成品)
19		REMOTE CONTROL 遥控器	1		
20		TRANSISTOR			
21		TRANSISTOR 2SB772(PNP).	1		Q1
22		TRANSISTOR 2SD882(NPN).	1		Q3

PREPARED BY: DATE: CHECKED BY: DATE: APPROVED BY: DATE:

**BILL OF MATERIAL**

MODEL NO: *AJ-CV366*

ISSUED DATE: 26-Oct-01

REVISION DATE CATEGORY: CD/VCD PLAYER AND CASSETTE; RADIO (FM/AM) SYSTEM 5W

ITEM	PART NO	DESCRIPTION	QTY	M/P
1		TRANSISTOR KTC9015C (PNP)	2	Q103,501
2		TRANSISTOR KTC9014C (NPN)	12	Q101,102,106,105,106,107,108,112,113,401,501,Q2.
3				
4		ROUND LED D=3MM (RED), BRIGHTNESS-STANDARD,	2	LED3, LED2
5		PIN-LENGTH=27MM, PACKAGE-STANDARD FORM.		
6		ROUND LED D=3MM (GREEN), BRIGHTNESS-STANDARD FORM.	2	LED3, LED4
7		PIN-LENGTH=27MM, PACKAGE-STANDARD FORM.		
8		INFRARED EMITTING SE303A-C	1	D203, 503
9		LCD A2013 (3PINS (3-DIGIT))	1	LCD1
10				
11		DIODE		
12		SILICON SWITCH DIODE 1N4148	15	D103-113, 301, 302, 501, 502
13		RECTIFIER DIODE 1N5392 50V/15A	4	D1-D4
14		ZENER DIODE		
15		ZENER DIODE 4V7 0.5W	1	DZ101
16		ZENER DIODE 5V6 0.5W	1	DZ2,
17		ZENER DIODE 8V2 0.5W	1	ZD1
18				
19		COIL		
20		SPRING COIL 4T5 ID=4.5MM, WD=0.7MM	1	L303
21		SPRING COIL 3T5 ID=4.5MM, WD=0.7MM	1	L302
22		SPRING COIL 2T5 ID=4.5MM, WD=0.7MM	1	L301

PREPARED BY: DATE: CHECKED BY: DATE: APPROVED BY: DATE:

BILL OF MATERIAL

MODEL NO: A7-CV366

ISSUED DATE: 26-Oct-01

REVISION DATE  
CATEGORY: CD/VCD PLAYER AND CASSETTE; RADIO (FM/AM) SYSTEM 5W

ITEM	PARTNO	DESCRIPTION	QTY	M/P	
1		ROD ANTENNA K6-261 6X310MM	1		FM ANT
2		AM IF 1160 (10MM) YELLOW	1		T303
3		FM IF 7810 (7MM) PINK	1		T305
4		MW OSC 9220 (10MM) RED	1		T301
5		MW ANTENNA COIL 120:20T D=11MM	1		
6		ANTENNA BAR(BAR FERRITE) L.H=80X10MM	1		
7		20MM (PVC 2-BAND) "CBM-443DF" BRAND=WF, AM=120PF X 2, FM=20PF X 2,	1		PVC1
8		BUTTON SCREW MOUNTING SHAFT=4MM.			
9		ROTATIONAL VOLUME B50K VR1213G-25F-B50K	1		VR101(新威)
10		REMOTE CERAMIC RESONATOR 455KHZ (455KHZ=2PINS)	1		CF501
11		PUSH SWITCH P892D81 (9P2T) NON-SHORTING TYPE	1		SW2-01
12		PUSH SWITCH PS-22F02 (2P2T) NON-SHORTING TYPE, WITH LOCK	1		SR1-03
13		LEAF SWITCH LSA-4B	1		FOR CD DOOR
14		SLIDE SWITCH SS-62H01 (6P2T), VERTICAL M=15MM	1		SW3-01
15		SLIDE SWITCH "SS22E16G1S" (2P2T)	1		SW1-02
16		SLIDE SWITCH "SS63B01G1S" (6P3T)	1		SW2-01
17		散热片?			
18		CERAMIC FLEWER			
19		FM CERAMIC FILTER 10.7MHz "TE1070MAF"(RED POINT),			
20		BW=180KHz(CBL), PACKAGE-STANDARD FORM. (10.7MHz 3PINS)	1		CF3-02
21		AM CERAMIC FILTER 455KHZ (455KHZ=3PINS)	1		CF3-01
22		POWER TRANSFORMER EI-57A AC:110V/220V 14.5V JA 22#X2 L=200MM 火牛	1		

PREPARED BY: DATE: CHECKED BY: DATE: APPROVED BY: DATE:

BILL OF MATERIAL

MODEL NO.: AJ-CV3660

REVISION DATE  
 CATEGORY: CD/VCD PLAYER AND CASSETTE; RADIO (FM/AM) SYSTEM 5W

ISSUED DATE: 26-Oct-01

ITEM	PART NO	DESCRIPTION	QTY	N/P
1		SPEAKER 4" 60瓩 4 OHM 8W 有泡边 (圆边)	2	颜色限PO
2		SPEAKER " 1.5" 4 OHM 1W	2	
3		GLASS TUBE FUSE 250V/3A, B=5X20MM, SLOW BLOW.	2	
4		FUSE HOLDER	4	
5		防暴版(绿色30度)	2	
6		防暴版(灰色25度)	2	
7		AC SOCKET WITH DC SWITCH AC-002, 250V/1A, VDE STANDARD,	1	
8		AC POWER CORD SET VDE STANDARD "Y.C. PRO-1001",		
9		250V/2.5A LENGTH=6 FEET WITH VDE PLUG & SOCKET.	1	
10		VIDEO/AUDIO OUTPUT CORD "1.5M RCA-3RCA" 公插AV线	1	
11				
12		TACT SWITCH 6X6, JTP-1130, H=5MM, VERTICAL TYPE, PLASTIC SHAFT.	6	SW401-SW406
13				
14		SINGLE RCA JACK (RED), RCA-103	1	JK4
15		SINGLE RCA JACK (WHITE), RCA-103	1	JK5
16		SINGLE RCA JACK (YELLOW), RCA-103	1	JK6
17		6.3MM MIC JACK "T4-3"	2	
18		SLIDE SWITCH S812J01 (1P2T), FOR "110V/230V" VOLTAGE SELECTOR.	1	
19		3.5MM HEADPHONE JACK (STEREO) EJ-35072 WITH "SWX2"	1	JK1
20		DECE MECHANISM		
21		AUTO STOP SINGLE CASSETTE MECHANISM (RECORD/PLAY) TN-21VC-209M,	1	
22		TOP LOAD, HD=AP-421H1, MOTOR BC-9V.		

PREPARED BY: DATE: CHECKED BY: DATE: APPROVED BY: DATE:

**BILL OF MATERIAL**

MODEL NO: *AJ-cv360*

ISSUED DATE: 26-Oct-01

REVISION DATE  
 CATEGORY: CD/VCD PLAYER AND CASSETTE; RADIO (FM/AM) SYSTEM 5W

ITEM	PART NO	DESCRIPTION	QTY	M/P
1				
2		CD MECHANISM (SAMSUNG) SOH-AAN	1	
3				
4				
5				
6				
7		RESISTOR 1/4W +/-5%		
8		CARBON FILM RESISTOR 2.2OHM, +/-5% 1/4W	2	R101, 102
9		CARBON FILM RESISTOR 4.7 OHM, +/-5% 1/4W	1	R503
10		CARBON FILM RESISTOR 10 OHM, +/-5% 1/4W	3	R310, 311, 502
11		CARBON FILM RESISTOR 22 OHM, +/-5% 1/4W	2	R203, 204
12		CARBON FILM RESISTOR 100 OHM, +/-5% 1/4W	2	R201, 404
13		CARBON FILM RESISTOR 150 OHM, +/-5% 1/4W	2	R119, 120
14		CARBON FILM RESISTOR 220 OHM, +/-5% 1/4W	1	R5
15		CARBON FILM RESISTOR 330 OHM, +/-5% 1/4W	2	R146, 312
16		CARBON FILM RESISTOR 470 OHM, +/-5% 1/4W	1	R308, R1
17		CARBON FILM RESISTOR 560 OHM, +/-5% 1/4W	2	R155, 405
18		CARBON FILM RESISTOR 680 OHM, +/-5% 1/4W	1	R504
19		CARBON FILM RESISTOR 1K OHM, +/-5% 1/4W	5	R127, 213, 214, 215, 505
20		CARBON FILM RESISTOR 1K5 OHM, +/-5% 1/4W	2	R220, 221
21		CARBON FILM RESISTOR 1K8 OHM, +/-5% 1/4W	2	R207, 208
22		CARBON FILM RESISTOR 2K2 OHM, +/-5% 1/4W	2	R401, 402
23				
24				

PREPARED BY: DATE: CHECKED BY: DATE: APPROVED BY: DATE:

BILL OF MATERIAL

MODEL NO: *AJ-CV3660*

ISSUED DATE: 26-Oct-01

REVISION DATE  
 CATEGORY: CD/VCD PLAYER AND CASSETTE; RADIO (FM/AM) SYSTEM 5W

ITEM	PART NO	DESCRIPTION	QTY	N/P
1				
2		CARBON FILM RESISTOR 3K3 OHM, +/-5% 1/4W	1	R309
3		CARBON FILM RESISTOR 4K7 OHM, +/-5% 1/4W,	11	R107, 108, 139, 140, 150, 151, 158, 216, 217, 501, R3
4				
5		CARBON FILM RESISTOR 6K8 OHM, +/-5% 1/4W	5	R109, 110, 111, 112, 405.
6		CARBON FILM RESISTOR 10K OHM, +/-5% 1/4W	11	R117, 118, 149, 152, 153, 154, 162, 303, 304, 305, R2
7				
8				
9		CARBON FILM RESISTOR 12K OHM, +/-5% 1/4W	2	R218, 219
10		CARBON FILM RESISTOR 15K OHM, +/-5% 1/4W	2	R205, 206
11		CARBON FILM RESISTOR 22K OHM, +/-5% 1/4W	4	R165, 166, 306, 307
12		CARBON FILM RESISTOR 27K OHM, +/-5% 1/4W	2	R163, 164
13		CARBON FILM RESISTOR 39K OHM, +/-5% 1/4W	2	R211, 212
14		CARBON FILM RESISTOR 47K OHM, +/-5% 1/4W	8	R105, 115, 160, 209, 210, 222, 223, 301
15				
16		CARBON FILM RESISTOR 68K OHM, +/-5% 1/4W	2	R234, 225
17		CARBON FILM RESISTOR 82K OHM, +/-5% 1/4W		
18		CARBON FILM RESISTOR 100K OHM, +/-5% 1/4W	5	R141, 142, 144, 145, 302
19		CARBON FILM RESISTOR 120K OHM, +/-5% 1/4W	1	R314
20		CARBON FILM RESISTOR 150K OHM, +/-5% 1/4W	1	R202
21		CARBON FILM RESISTOR 500K OHM, +/-5% 1/4W	1	R403
22				

PREPARED BY: \_\_\_\_\_ DATE: \_\_\_\_\_ CHECKED BY: \_\_\_\_\_ DATE: \_\_\_\_\_ APPROVED BY: \_\_\_\_\_ DATE: \_\_\_\_\_

BILL OF MATERIAL

MODEL NO: *AJ-CV366*

ISSUED DATE: 26-Oct-01

REVISION DATE  
 CATEGORY: CD/VCD PLAYER AND CASSETTE; RADIO (FM/AM) SYSTEM SW

ITEM	PART NO	DESCRIPTION	QTY	N/P
1		CERAMIC CAP 50V +80/-20%		
2		CERAMIC CAPACITOR 5PF/50V, +/-10%	1	C304
3		CERAMIC CAPACITOR 10PF/50V, +/-10%	2	C208, 209
4				
5		CERAMIC CAPACITOR 20PF/50V, +/-10%	2	C301, 303
6		CERAMIC CAPACITOR 22PF/50V, +/-10%	1	C319
		CERAMIC CAPACITOR 25PF/50V, +/-10%	2	C209, 310
7		CERAMIC CAPACITOR 30PF/50V, +/-10%	1	C302
8				
9		CERAMIC CAPACITOR 47PF/50V, +/-10%		
10		CERAMIC CAPACITOR 50PF/50V, +/-10%		
11		CERAMIC CAPACITOR 150PF/50V, +/-10%		
12		CERAMIC CAPACITOR 100PF/50V, +/-10%	1	C320
13		CERAMIC CAPACITOR 200PF/50V, +/-10%	3	C306, 504, 505
14				
15				
17		CERAMIC CAP 50V +80/-20%		
18		CERAMIC CAPACITOR 470PF/50V, +/-10%		
		CERAMIC CAPACITOR 1000PF/50V, +/-10%	3	C115, 116, 321
20		CERAMIC CAPACITOR 0.02UF/50V, +/-10%	5	C1-4, 324
21		CERAMIC CAPACITOR 0.002UF/50V, +/-20%	2	C328, 329
		CERAMIC CAPACITOR 0.047UF/50V, +/-20%	1	C314
22		CERAMIC CAPACITOR 0.1UF/50V, +/-10%	11	C9, C10, 112, 311, 313, 315, 316, 332, 402, 502, 503

PREPARED BY: DATE: CHECKED BY: DATE: APPROVED BY: DATE:

**BILL OF MATERIAL**

MODEL NO: *AJ-CV3660*

ISSUED DATE: 26-Oct-01

REVISION                      DATE                      CATEGORY: CD/VCD PLAYER AND CASSETTE; RADIO (FM/AM) SYSTEM 5W

ITEM	PART NO	DESCRIPTION	QTY	N/P
1				
2				
3				
4				
5				
6		MYLAR CAP 100V +/-10%		
7				
8		MYLAR CAPACITOR 0.0022UF/100V, +/-10%	2	C214, 215
9				
10		MYLAR CAPACITOR 0.0047UF/100V, +/-10%	3	C212, 213, 335
11		MYLAR CAPACITOR 0.01UF/100V, +/-10%	2	C322, 333
12		MYLAR CAPACITOR 0.015UF/100V, +/-10%	2	C145, 146
13				
14				
15		MYLAR CAPACITOR 0.068UF/100V, +/-10%	2	C216, 217
16		MYLAR CAPACITOR 0.1UF/100V, +/-10%	4	C113, 114, 130, 131
17				
18				
19				
20				
21				
22				

PREPARED BY:                      DATE:                      CHECKED BY:                      DATE:                      APPROVED BY:                      DATE:



BILL OF MATERIAL

MODEL NO: AJ-CV3660

ISSUED DATE: 26-Oct-01

REVISION DATE CATEGORY: CD/VCD PLAYER AND CASSETTE; RADIO (FM/AM) SYSTEM SW

ITEM	PART NO	DESCRIPTION	QTY	N/P
1				
2		ELECT CAP +/-20% 50V		
3		ELECTROLYTIC CAPACITOR 0.47UF/50V, +/-20%	1	C337
4		ELECTROLYTIC CAPACITOR 10UF/50V, +/-20%	5	C119,317,204,205,403
5		ELECTROLYTIC CAPACITOR 4.7UF/50V, +/-20%	12	C102,103,129-132,150,157,202,312,SPEAKER
6				
7		ELECT CAP +/-20% 16V		
8		ELECTROLYTIC CAPACITOR 100UF/10V, +/-20%	7	C111,128,153,205,206,207,318
9		ELECTROLYTIC CAPACITOR 1000UF/10V, +/-20%	6	C147,201,310,311,325,504
10				
11		ELECT CAP +/-20% 16V		
12		ELECTROLYTIC CAPACITOR 22UF/16V, +/-20%	1	C149
		ELECTROLYTIC CAPACITOR 33UF/16V, +/-20%	1	C148
13		ELECTROLYTIC CAPACITOR 47UF/16V, +/-20%	3	C119,133,404
14		ELECTROLYTIC CAPACITOR 100UF/16V, +/-20%	5	C105-108,C8,C11
15		ELECTROLYTIC CAPACITOR 470UF/16V, +/-20%	2	C109,110
16		ELECTROLYTIC CAPACITOR 1000UF/16V, +/-20%	1	C7
17		ELECT CAP +/-20% 25V		
18		ELECTROLYTIC CAPACITOR 22 UF/25V, +/-20%	1	C104
19		ELECTROLYTIC CAPACITOR 220 UF/25V, +/-20%		
20		ELECTROLYTIC CAPACITOR 2700UF/25V, +/-20%	2	C101,C6

PREPARED BY: DATE: CHECKED BY: DATE: APPROVED BY: DATE:

BILL OF MATERIAL

MODEL NO: *AJ-CV366*

ISSUED DATE: 26-Oct-01

REVISION DATE CATEGORY: CD/VCD PLAYER AND CASSETTE; RADIO (FM/AM) SYSTEM 5W

ITEM	PART NO	DESCRIPTION	QTY	N/P	N/P	N/P	N/P
1							
2							
3							
4		PIN PLUG					
5							
6		2-PINS PLUG XH-2.5-STRAIGHT TYPE (R-TYPE).	6			CN101,106,107,113,302,GND	
7		3-PINS PLUG XH-2.5-STRAIGHT TYPE (R-TYPE).	1			CN114	
8		4-PINS PLUG XH-2.5-STRAIGHT TYPE (R-TYPE).	2			CN103,111	
9		3-PINS PLUG XH-2.5-GIGHT ANGLE TYPE (R-TYPE).	1			CN105	
10							
11		2-PINS PLUG XH-2.5-STRAIGHT TYPE (R-TYPE).	1			CN102	
12		3-PINS PLUG XH-2.5-STRAIGHT TYPE (R-TYPE).	3			CN202,403,404	
13		5-PINS PLUG XH-2.5-STRAIGHT TYPE (V-TYPE).	1			CN104	
14							
15							
16							
17		JUMPER					
18		5MM	28				
19		7.5MM	22				
20		10MM	32				
21		15MM	1				
22							

PREPARED BY: DATE: CHECKED BY: DATE: APPROVED BY: DATE:

BILL OF MATERIAL

MODEL NO: *AJ-03660*

ISSUED DATE: 26-Oct-01

REVISION DATE CATEGORY: CD/VCD PLAYER AND CASSETTE; RADIO (FM/AM) SYSTEM 5W

ITEM	PART NO	DESCRIPTION	QTY	M/P
1		HOUSING CONNECTOR DOUBLE SHIELD (#26)		
2		2-PINS DOUBLE SHIELDING WIRE HOUSING ASS'Y XH-2.5 (AWG#28), L=120-16-4MM. 屏蔽线	1	
3		3-PINS DOUBLE SHIELDING WIRE HOUSING ASS'Y XH-2.5 (AWG#28), L=150-16-4MM. 屏蔽线	1	
4		HOUSING CONNECTOR WIRE AWG#22		
5		2-PINS JUMPER WIRE HOUSING ASS'Y XH-2.5 AWG#22, L=350-4MM. 散打线	1	
6		4-PINS JUMPER WIRE HOUSING ASS'Y XH-2.5 AWG#22, L=350-4MM. 散打线	1	
7		4-PINS JUMPER WIRE HOUSING ASS'Y XH-2.5 AWG#22, L=300-4MM. 散打线	1	
8		HOUSING CONNECTOR WIRE AWG#24		
9				
10		2-PINS JUMPER WIRE HOUSING ASS'Y XH-2.5 AWG#24, L=250-4MM. 散打线	1	
11		2-PINS JUMPER WIRE HOUSING ASS'Y XH-2.5 AWG#24, L=650-4MM. 散打线	1	
12		3-PINS JUMPER WIRE HOUSING ASS'Y XH-2.5 AWG#24, L=300-4MM. 散打线	1	
13		5-PINS JUMPER WIRE HOUSING ASS'Y XH-2.5 AWG#24, L=140-4MM. 散打线	1	
14		HOUSING CONNECTOR WIRE AWG#26		
15		2-PINS FLAT CABLE HOUSING ASS'Y XH-2.5 AWG#26, L=140-4MM. 排打线	1	
16		2-PINS FLAT CABLE HOUSING ASS'Y XH-2.5 AWG#26, L=180-4MM. 排打线	1	
17		3-PINS FLAT CABLE HOUSING ASS'Y XH-2.5 AWG#26, L=130-4MM. 排打线	1	
18		3-PINS FLAT CABLE HOUSING ASS'Y XH-2.5 AWG#26, L=180-4MM. 排打线	2	
19		4-PINS FLAT CABLE HOUSING ASS'Y XH-2.5 AWG#26, L=300-4MM. 排打线	1	
20		6-PINS FLAT CABLE HOUSING ASS'Y XH-2.5 AWG#26, L=150-4MM. 排打线	1	
21		8-PINS FLAT CABLE HOUSING ASS'Y XH-2.5 AWG#26, L=270-4MM. 排打线	1	
22		2-PINS FLAT CABLE HOUSING ASS'Y XH-2.5 AWG#26, L=100-4MM. 排打线	1	

PREPARED BY: \_\_\_\_\_ DATE: \_\_\_\_\_ CHECKED BY: \_\_\_\_\_ DATE: \_\_\_\_\_ APPROVED BY: \_\_\_\_\_ DATE: \_\_\_\_\_

BILL OF MATERIAL

MODEL NO: AJ-CV366

ISSUED DATE: 26-Oct-01

REVISION DATE CATEGORY: CD/VCD PLAYER AND CASSETTE; RADIO (FM/AM) SYSTEM SW

ITEM	PART NO	DESCRIPTION	QTY	M/P
1		HOUSING CONNECTOR WIRE AWG#26		
2		6-PINS FLAT CABLE HOUSING ASS'Y PH2.0+PH2.0 AWG#26 L=160MM 两边打	1	
3		2-PINS FLAT CABLE HOUSING ASS'Y PH2.0 AWG#26, L=150-4MM. 排打线	1	
4				
5		HOUSING UD. 20624		
6		16-PINS PFC CABLE UL20624 PITCH=1.0MM L=110MM (WHITE)	1	
7		PVC WIRE 9X1.3MM(#22)		
8		PVC Insulation 0.D=1.3MM Conductor =9/0.12mm		
9		SINGLE JUMPER WIRE AWG#22 L=100MM (BLUE)	1	
10		SINGLE JUMPER WIRE AWG#22 L=80MM (RED)	1	
11		SINGLE JUMPER WIRE AWG#22 L=100MM (BLACK)	1	
12		SINGLE JUMPER WIRE AWG#22 L=100MM (WHITE)	1	
13		PVC WIRE 9X1.3MM(#26)		
14		PVC Insulation 0.D=1.3MM Conductor =9/0.12mm		
15		SINGLE JUMPER WIRE AWG#26 L=100MM (RED)	1	
16		SINGLE JUMPER WIRE AWG#26 L=200MM (RED)	2	
17		SINGLE JUMPER WIRE AWG#26 L=200MM (BLACK)	2	
18		SINGLE JUMPER WIRE AWG#26 L=60MM (BLACK)	1	
19				
20		SINGLE JUMPER WIRE AWG#28 L=140MM (RED)	1	
21		SINGLE JUMPER WIRE AWG#28 L=140MM (BLACK)	1	
22				

PREPARED BY: DATE: CHECKED BY: DATE: APPROVED BY: DATE:

BILL OF MATERIAL

MODEL NO: AJ-CV3660

ISSUED DATE: 26-Oct-01

REVISION DATE  
 CATEGORY: CD PLAYER AND CASSETTE; RADIO (FM/AM) SYSTEM 5W

ITEM	PART NO	DESCRIPTION	QTY	单份			总价			SYMBOL
				人民币	港币	美元	人民币	港币	美元	
		塑胶件:								
1		面壳	1							
2		顶壳	1							
3		底壳	1							
4		面板	1							
5		卡座	1							
6		卡门	1							
7		卡门支架	1							
8		电池门	1							
9		CD门	1							
10		CD门顶盖	1							
11		卡钮	1							
12		主支架	1							
13		手挽上壳	1							
14		手挽下壳	1							
15		手挽左支架	1							
16		手挽右支架	1							
17		CD控制按钮-左	1							
18		CD控制按钮-右	1							
19		遥控接收镜	1							
20		CD显示屏	1							
21										
				TOTAL						

PREPARED BY: \_\_\_\_\_ DATE: \_\_\_\_\_ CHECKED BY: \_\_\_\_\_ DATE: \_\_\_\_\_ APPROVED BY: \_\_\_\_\_ DATE: \_\_\_\_\_

AJ-CV3660

ITEM	PART NO	DESCRIPTION	QTY	单位			人民币	港币	美元	人民币	港币	美元
				人民币	港币	美元						
<b>PLASTIC PARTS</b>												
1		卡门镜	1									
2		LCD支架	1									
3		PVC支架	1									通用AM-7555
4		齿轮	2									
5		CD门齿轮支架	1									
6		功能键	1									
7		集音组	1									
8		波段组	1									
9		CD门扣	1									
10		CD门组	1									
11		电源组	1									
12		起台组	1									
13		音量组	1									
14		选台组指示镜	1									
15		外壳连接件A	1									
16		外壳连接件B	1									
17		LED支架	2									
18		卡门齿轮支架	1									
19		左喇叭装饰件	1									
20		右喇叭装饰件	1									
21		座椅支架	2									通用 (LxWxHxΦ)=24.4x12.0x6.0xΦ11.0
TOTAL												

PREPARED BY: DATE: CHECKED BY: DATE: APPROVED BY: DATE:

AJ-cv3660

ITEM	PART NO	DESCRIPTION	QTY	单价			总价		
				人民币	港币	美元	人民币	港币	美元
		<b>PLASTIC PARTS</b>							
1		CD压盘	1						通用
2		CD压盘支架	1						通用
3									
4									
5									
6									
7									
8									
9									
10									
11									
12									
13									
14									
15									
16									
17									
18									
19									
20									
21									
				TOTAL					

PREPARED BY: \_\_\_\_\_ DATE: \_\_\_\_\_ CHECKED BY: \_\_\_\_\_ DATE: \_\_\_\_\_ APPROVED BY: \_\_\_\_\_ DATE: \_\_\_\_\_

**BILL OF MATERIAL**

MODEL NO: *AJ-cv3660*

ISSUED DATE: 26-Oct-01

REVISION DATE  
 CATEGORY: CD PLAYER AND CASSETTE; RADIO (FM/AM) SYSTEM 5W

ITEM	PART NO	DESCRIPTION	QTY	单价		总价		SYMBOL
				人民币	港币	人民币	港币	
		<b>METAL &amp; MISCELLANEOUS PARTS</b>						
1		螺丝:						
2		2.6x8PA	4					功放板
3		2.6x8PA	4					收音板
4		2.6x8PA	4					CD板
5		2.6x8PWA	2					耳插板
6		2.6x8PA	2					振荡板
7		2.6x8PA	3					录音板
8		2.6x8WA	4					控制板
9		2.6x10PWA	1					CD齿轮支架
10		2.6x4PM	2					PVC
11		2.6x4PM	1					PVC支架
12		3x8PM	1					FM天线
13		2.6x10PA	8					主支架
14		3x10PWA	6					大喇叭
15		3x8PWA	4					高音喇叭
16		3x12PA	4					面壳连接支架
17		3x18PA	9					盒面壳合壳
18		2.6x12PA	4					卡座连面壳
19		2.6x12PA	4					卡式机芯
20		2x4PM	6					卡扣
21		2x4PM	1					录音压片
22		2.6x10PA	5					手挽
23		2.0x6PA	1					滑动开关
24		2.6x10PA	4					CD皮租
25								
							TOTAL	

PREPARED BY: \_\_\_\_\_ DATE: \_\_\_\_\_ CHECKED BY: \_\_\_\_\_ APPROVED BY: \_\_\_\_\_ DATE: \_\_\_\_\_



AJ-CR366

ITEM	PART NO	DESCRIPTION	QTY	单价			总价			
				人民币	港币	美元	人民币	港币	美元	
1		螺丝: 2.6x10PWA	4						CD机芯	
2		3.0x10PWA	2						卡越连面表	
3		4.0x10(内六角螺丝)	4						顶壳连底壳	
4		4.0x16(内六角螺丝)	4						顶壳连面壳	
5		3x20PWA	2						火牛	
6		2.6x12PA	2						AC插	
7		2.6x8PA	2						转换开关	
8		2x5PM	1						CD压盘	
9		3x8PM	2						功放板散热片	
10		3x8PM	1						操流板散热片	
11										
12		CD门弹弓	1						AM-7795	
13		卡门弹弓	1						AM-7795	
14		电池弹弓正板	1						AM-7795	
15		电池弹弓负板	1						AM-7795	
16		电池弹弓垫片	1						AM-7795	
17		录音压片	1						通用P90	
18		左喇叭网	1						AM-7795	
19		右喇叭网	1						AM-7795	
20		喇叭码	6						通用A818	
21		CD止落铁盘	1						通用AM-7955	
22		CD压盘磁环	1						通用AM-7955	
23		HEAT-SINK (FOR NEC-B772) SIZE=39X16X50MM 铝散热片	1						通用AM-7555...5	
24		HEAT-SINK (FOR IC AN7135) SIZE=50X40X30MM 铝散热片	1						AM-7795	
25										
				TOTAL						

PREPARED BY: DATE: CHECKED BY: DATE: APPROVED BY: DATE:

**BILL OF MATERIAL**

MODEL NO: **AJ-CR3666**

ISSUED DATE: 126-Oct-01

REVISION DATE CATEGORY: CD PLAYER AND CASSETTE; RADIO (FM/AM) SYSTEM 5W

ITEM PART NO	DESCRIPTION	QTY	单价		总价		SYMBOL
			人民币	港币	人民币	港币	
1	<b>PACKING PARTS</b>						
2	包装:						
3	垫片	1					通用AM-7955
4	转换开关贴片 (110-220)	1					通用AM-7955 跟生产通知单
5	VCD输出贴片(不带孔)	1					AM-7795
6	说明书	1					AM-7795
7	左夹泡胶	1					AM-7795
8	右夹泡胶	1					AM-7795
9	彩盒	1					AM-7795
10	散袋 (80W/5KG/单位: rom)	1					AM-7795
11							
12							
13							
14							
15							
16							
17							
18							
19							
20							
21							
							TOTAL

PREPARED BY: \_\_\_\_\_ DATE: \_\_\_\_\_ CHECKED BY: \_\_\_\_\_ DATE: \_\_\_\_\_ APPROVED BY: \_\_\_\_\_ DATE: \_\_\_\_\_