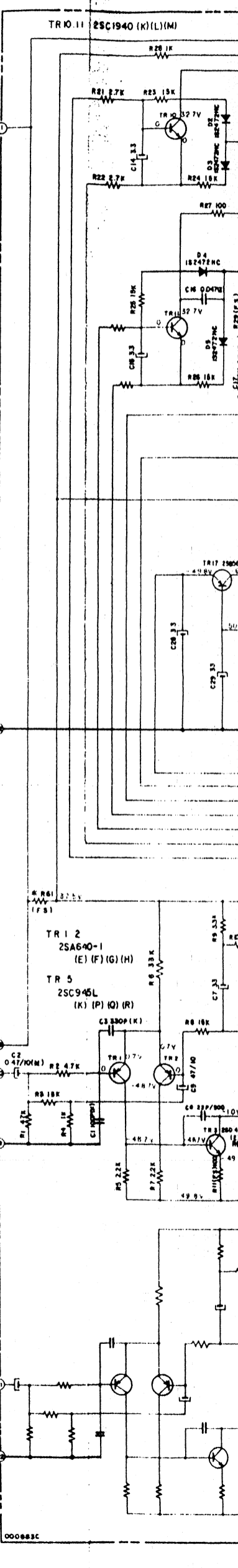
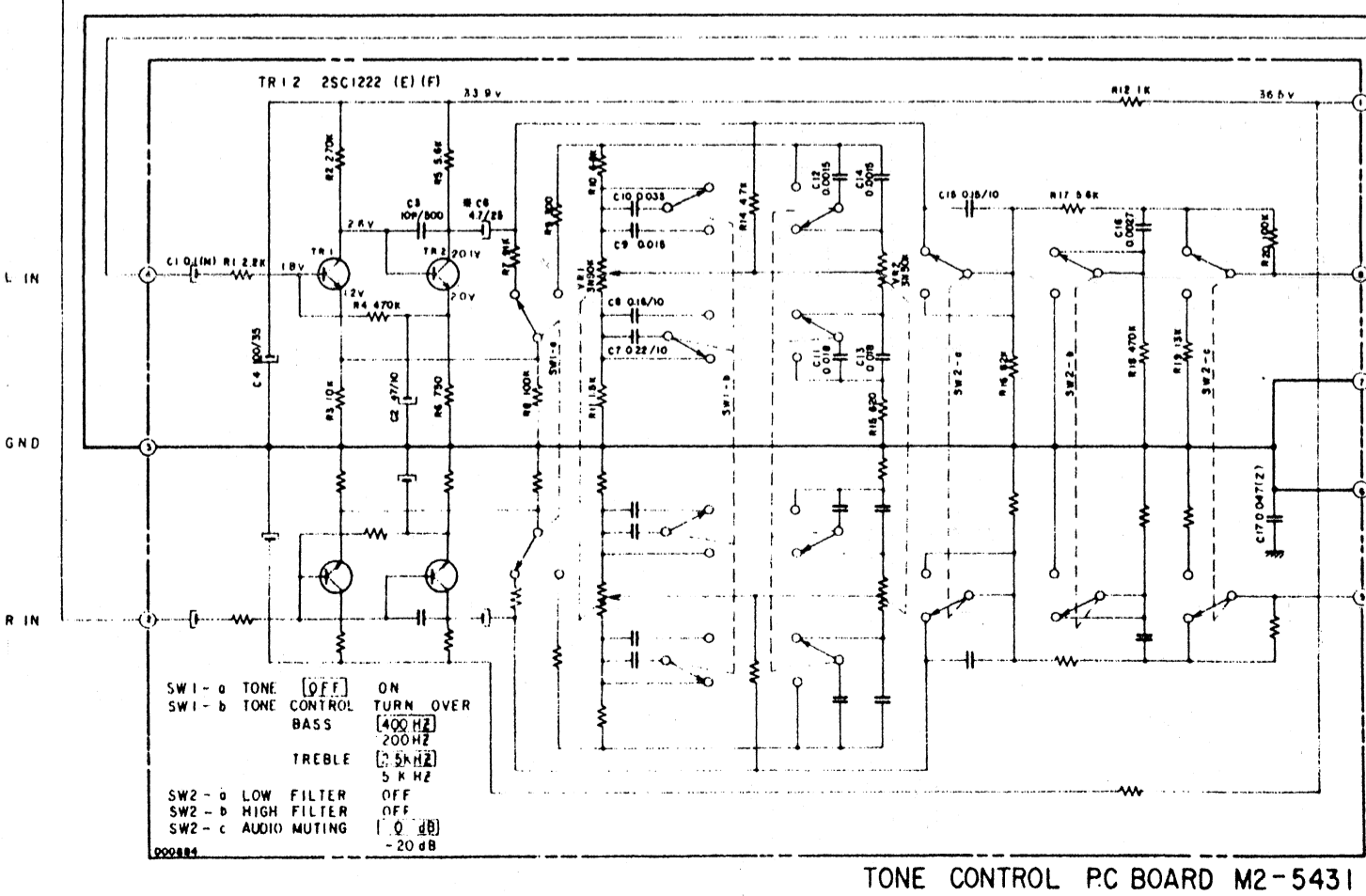
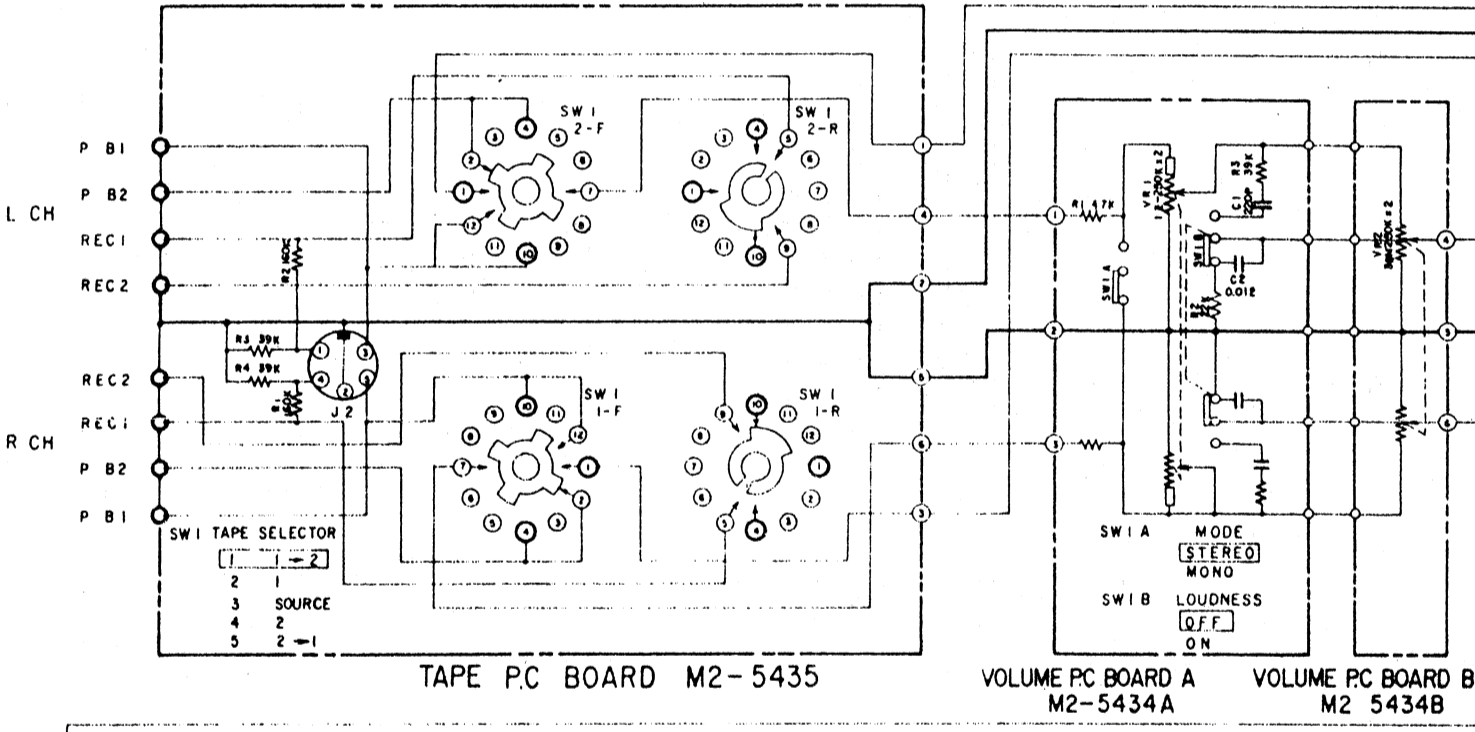
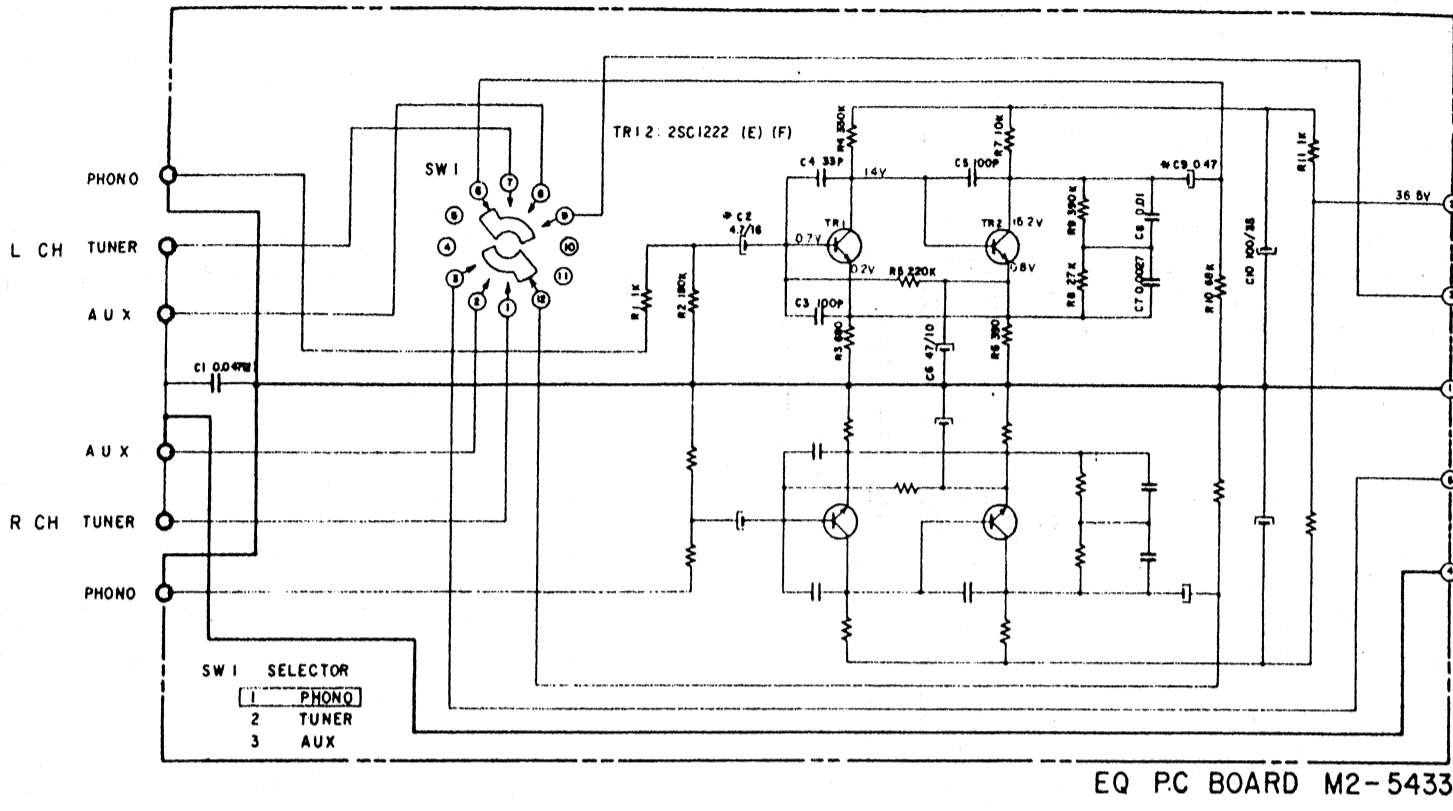
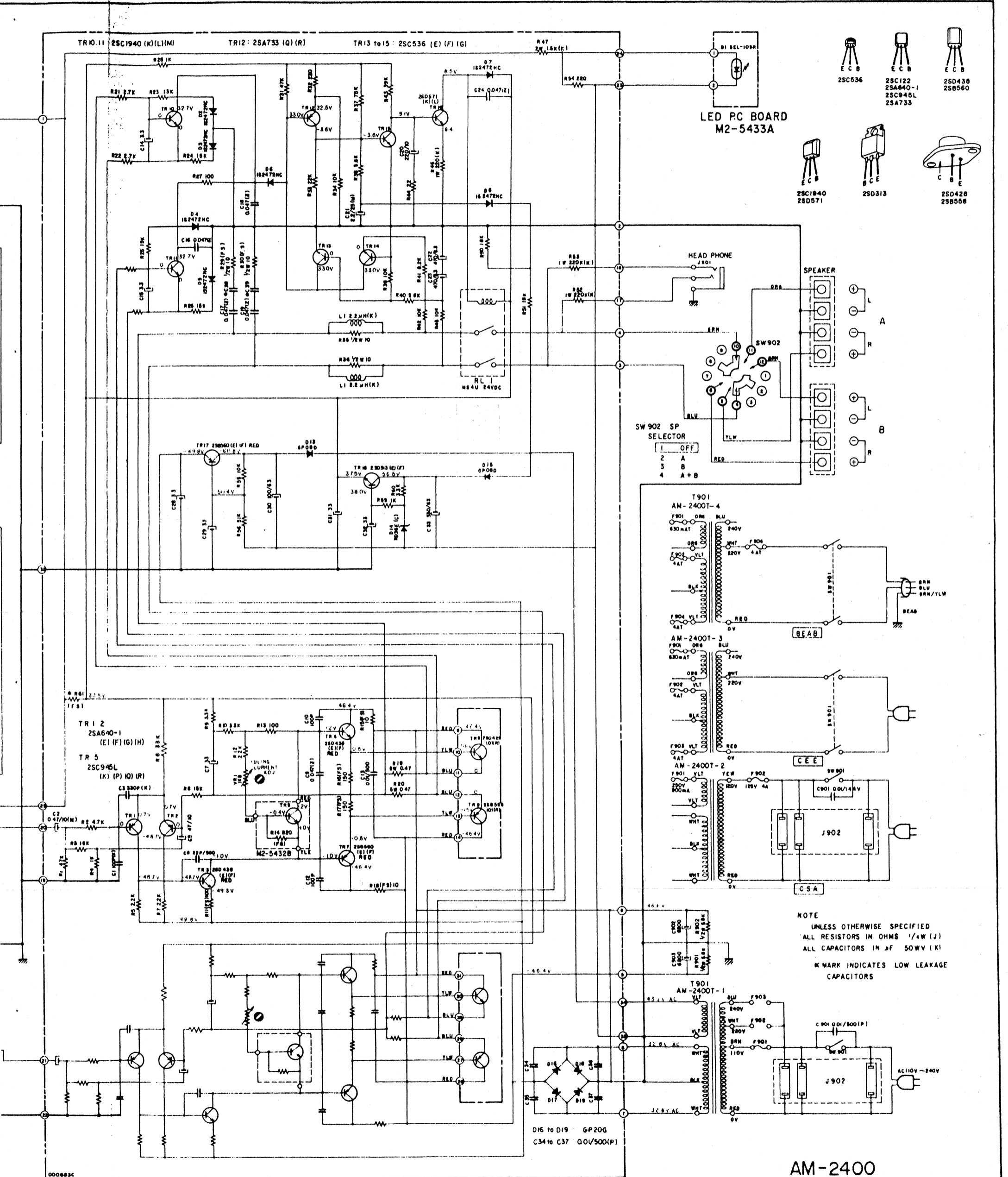


AKAI

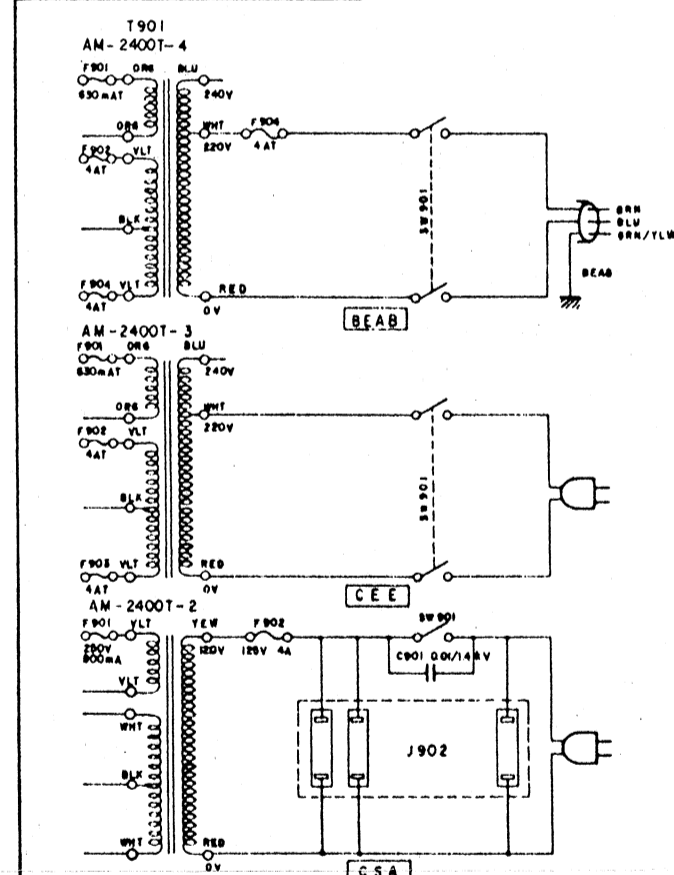
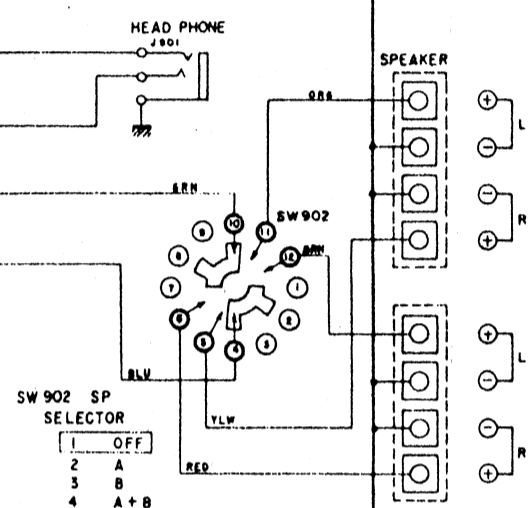
AM-2400





- ECB 25C536
- ECB 25C122
- ECB 25A640-1
- ECB 25C946L
- ECB 25A733
- ECB 25D438
- ECB 25B560
- ECB 25C1940
- ECB 25D571
- BCE 25D313
- CBE 25D428
- CBE 25B558

LED PC BOARD
M2-5433A



NOTE
UNLESS OTHERWISE SPECIFIED
ALL RESISTORS IN OHMS (J)
ALL CAPACITORS IN μ F 50WV (K)
K MARK INDICATES LOW LEAKAGE CAPACITORS

D16 to D19 GP20G
C34 to C37 0.0/500(P)

MAIN PC BOARD M2-5432A

AM-2400
SCHEMATIC DIAGRAM
No. 1540658A