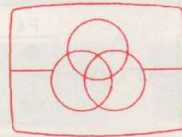


AKAI

MODEL AM-32

MODEL AM-52

SCHEMATIC DIAGRAM AND PC BOARDS



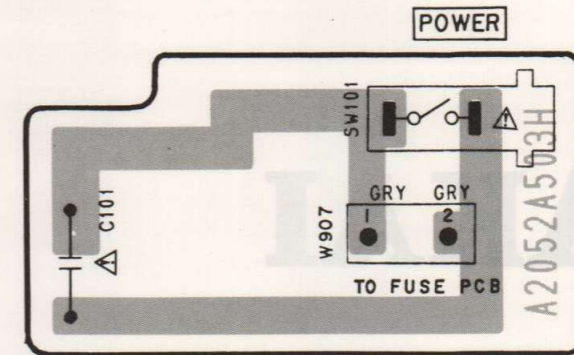
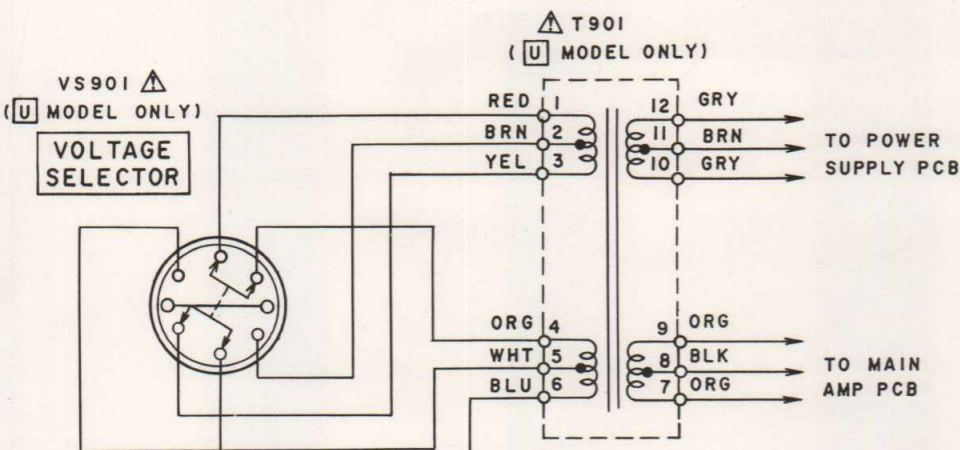
Free service manuals
Gratis schema's

Digitized by

www.freeservicemanuals.info

TABLE OF CONTENTS

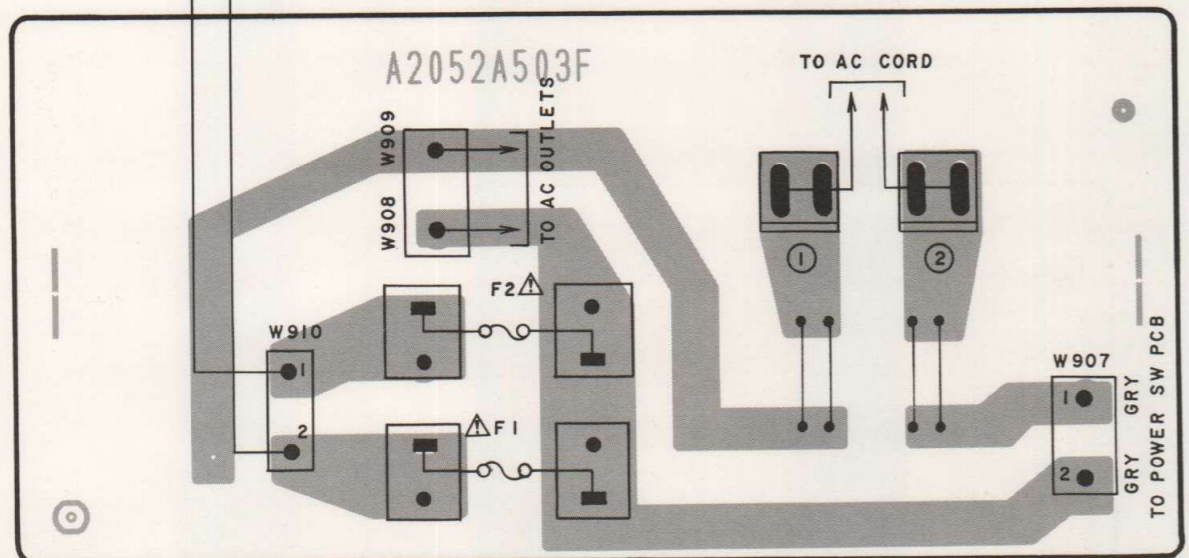
1. AM-32 FUSE PCB, POWER SUPPLY PCB, POWER SW PCB	2
2. AM-32 LED PCB, PHONO PCB, SOURCE DIRECT LED PCB, SWITCH PCB	3
3. AM-32 PIN JACK PCB, TAPE SELECTOR PCB, VOLUME PCB	4
4. AM-32 PHONE PCB, PRE AMP PCB	5
5. AM-32 MAIN AMP PCB	6
6. AM-32 SCHEMATIC DIAGRAM	7
7. AM-52 SCHEMATIC DIAGRAM	8
8. AM-52 MAIN AMP PCB	9
9. AM-52 PHONE PCB, PRE AMP PCB	10
10. AM-52 PIN JACK PCB, TAPE SELECTOR PCB, VOLUME PCB	11
11. AM-52 LED PCB, PHONO PCB, SOURCE DIRECT LED PCB, SWITCH PCB	12
12. AM-52 FUSE PCB, POWER SUPPLY PCB, POWER SW PCB	13
13. AM-32/52 BLOCK DIAGRAM.....	14



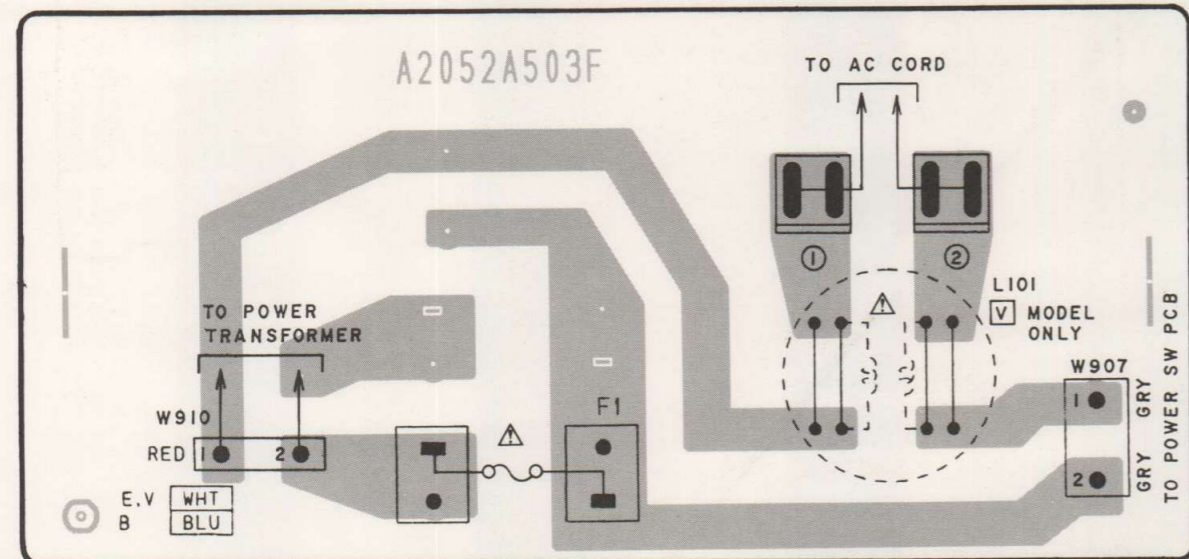
POWER SW PCB A2052A503H

WARNING: Δ INDICATES SAFETY CRITICAL COMPONENTS FOR CONTINUED SAFETY. REPLACE SAFETY CRITICAL COMPONENTS ONLY WITH MANUFACTURER'S RECOMMENDED PARTS

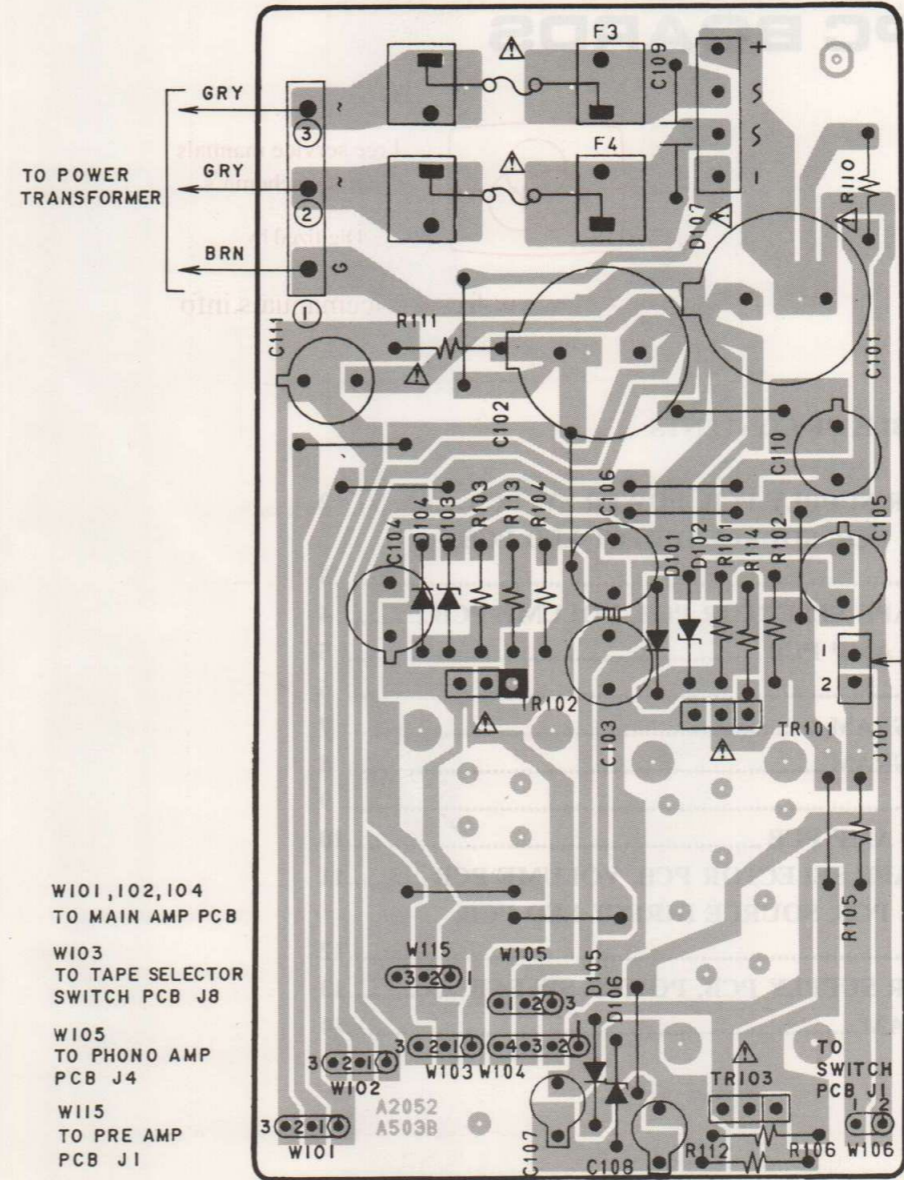
AVERTISSEMENT: Δ IL INDIQUE LES COMPOSANTS CRITIQUES DE SÉCURITÉ. POUR MAINTENIR LE DEGRÉ DE SÉCURITÉ DE L'APPAREIL, NE REMPLACER QUE DES PIÈCES RECOMMANDÉES PAR LE FABRICANT



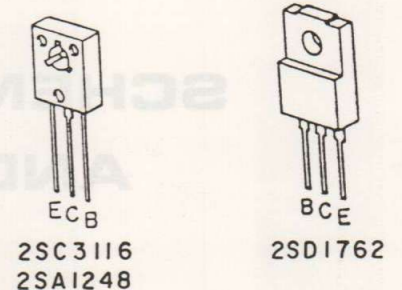
FUSE PCB (U MODEL ONLY) A2052A503F



FUSE PCB (B, E, V MODEL ONLY) A2052A503F

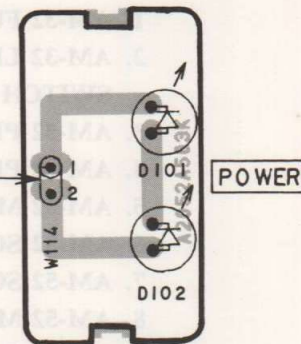


- W101, 102, 104 TO MAIN AMP PCB
- W103 TO TAPE SELECTOR SWITCH PCB J8
- W105 TO PHONO AMP PCB J4
- W115 TO PRE AMP PCB J1



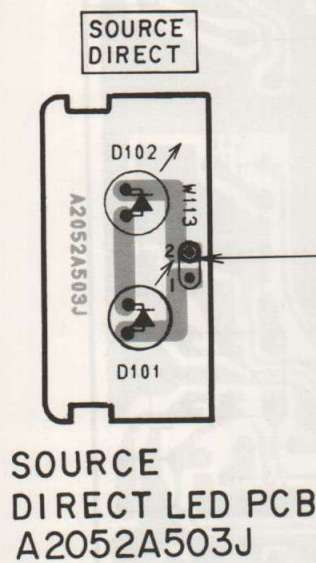
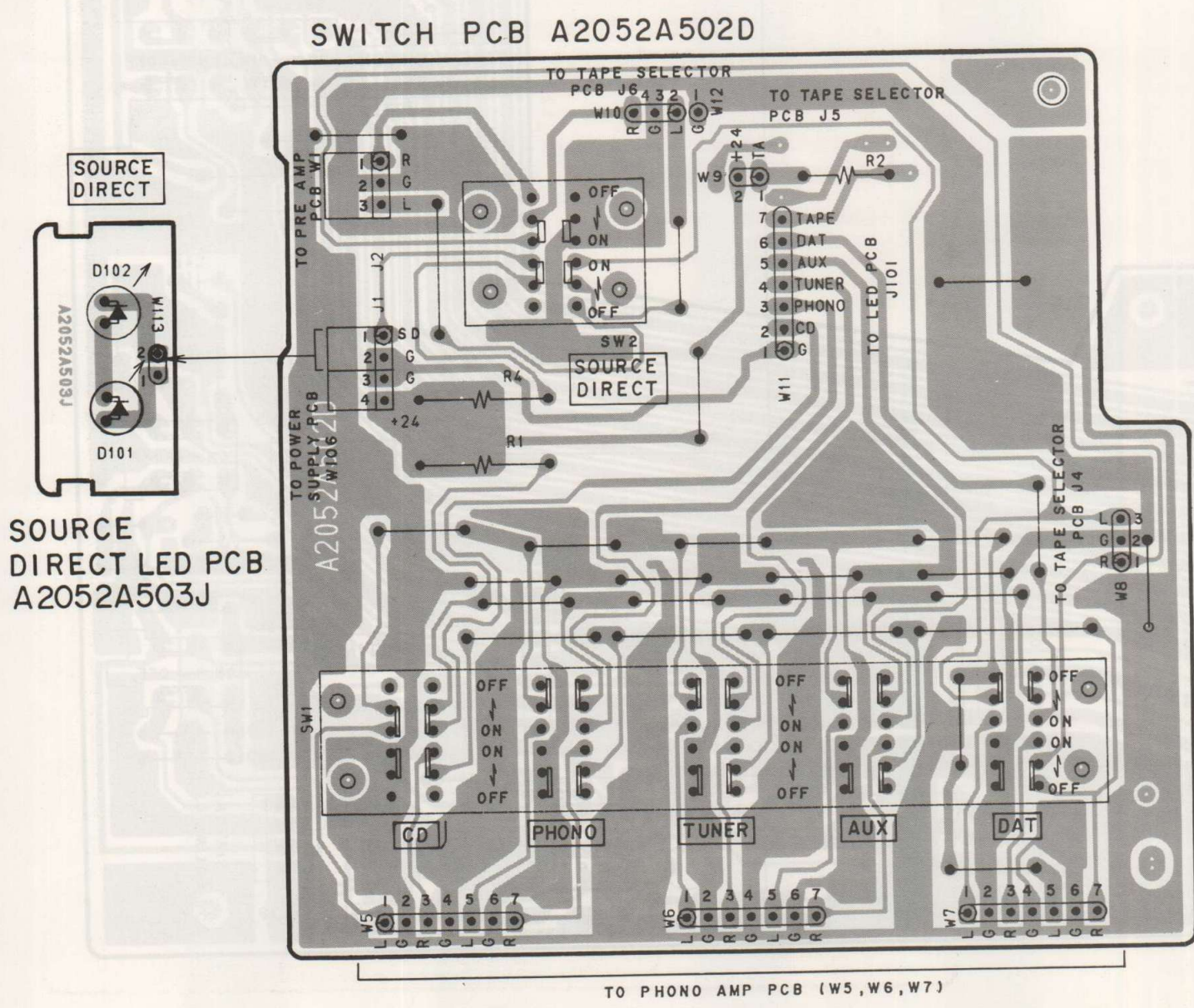
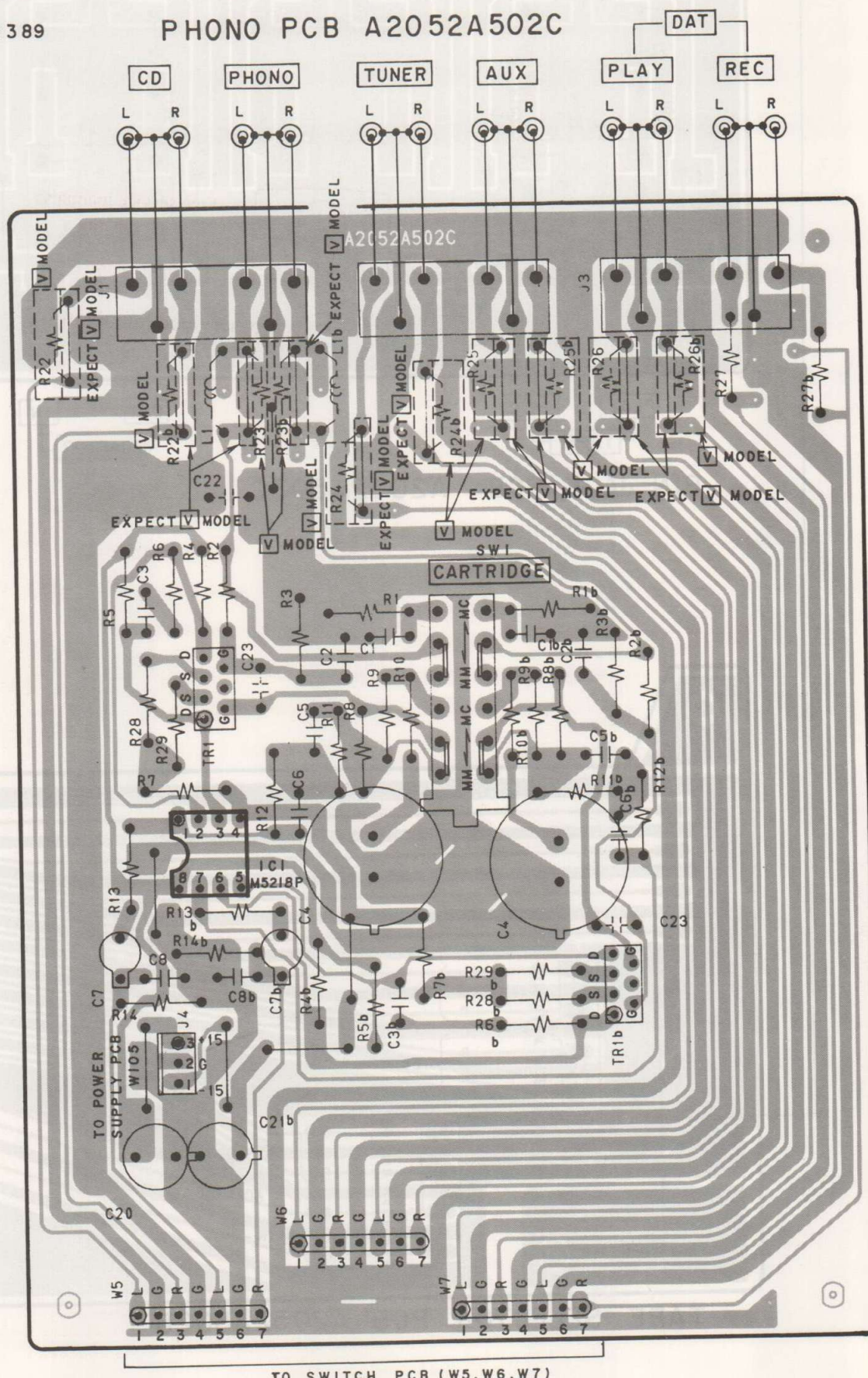
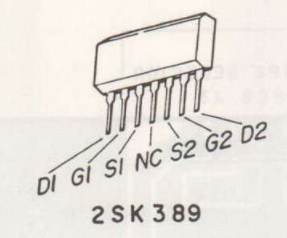
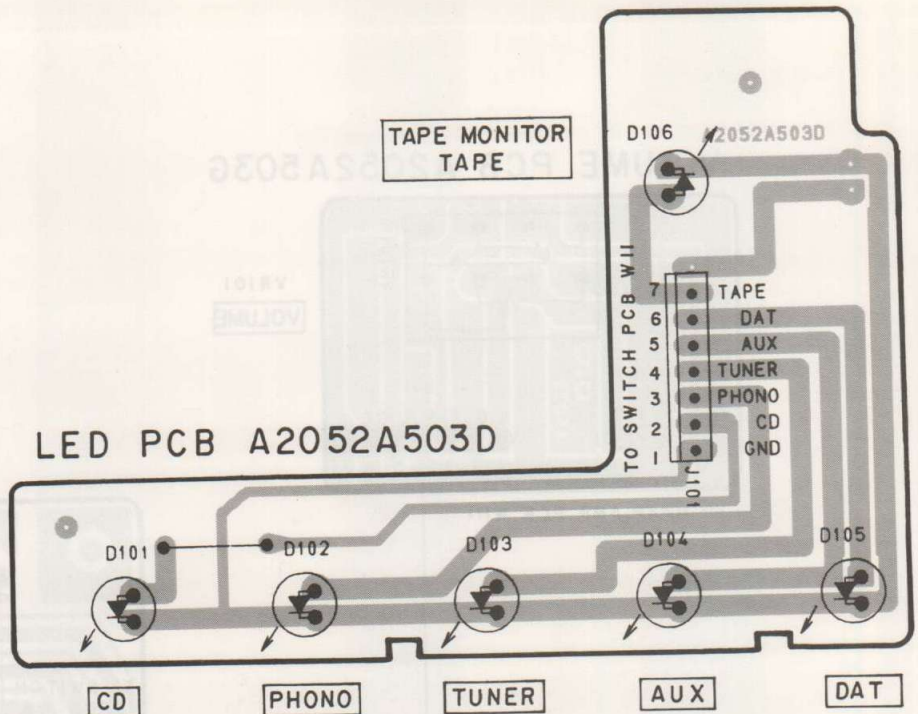
B \bullet \bullet \bullet = NPN TRANSISTOR

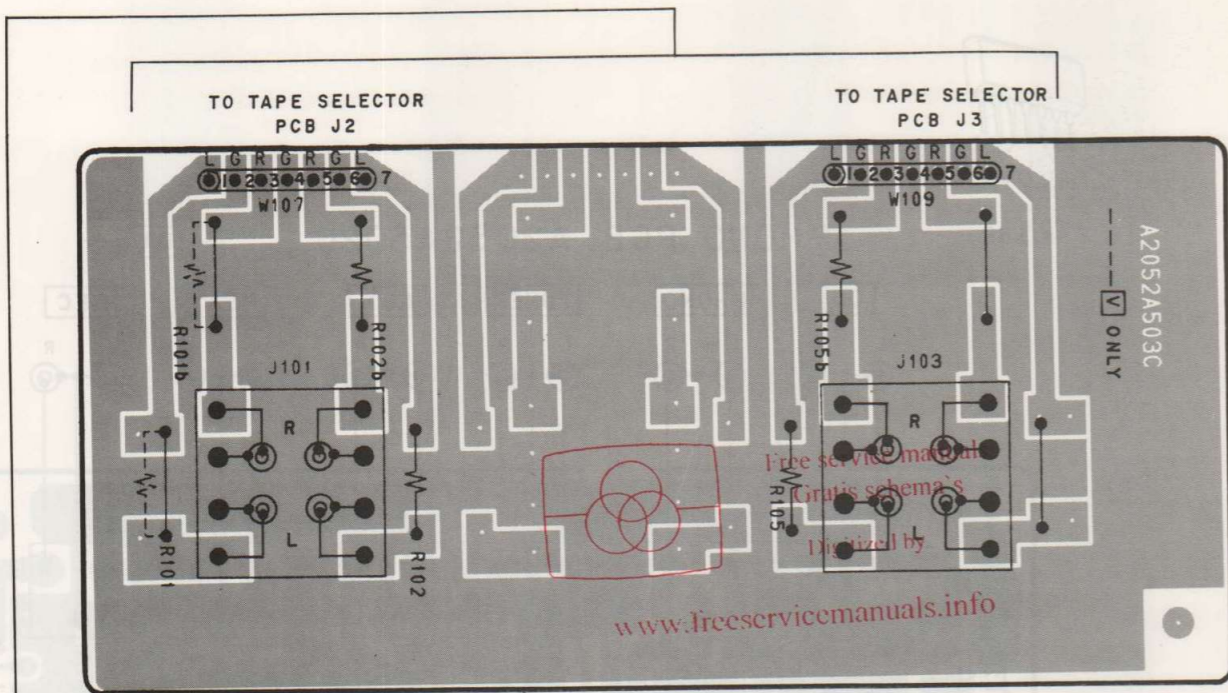
B \bullet \bullet \bullet = PNP TRANSISTOR



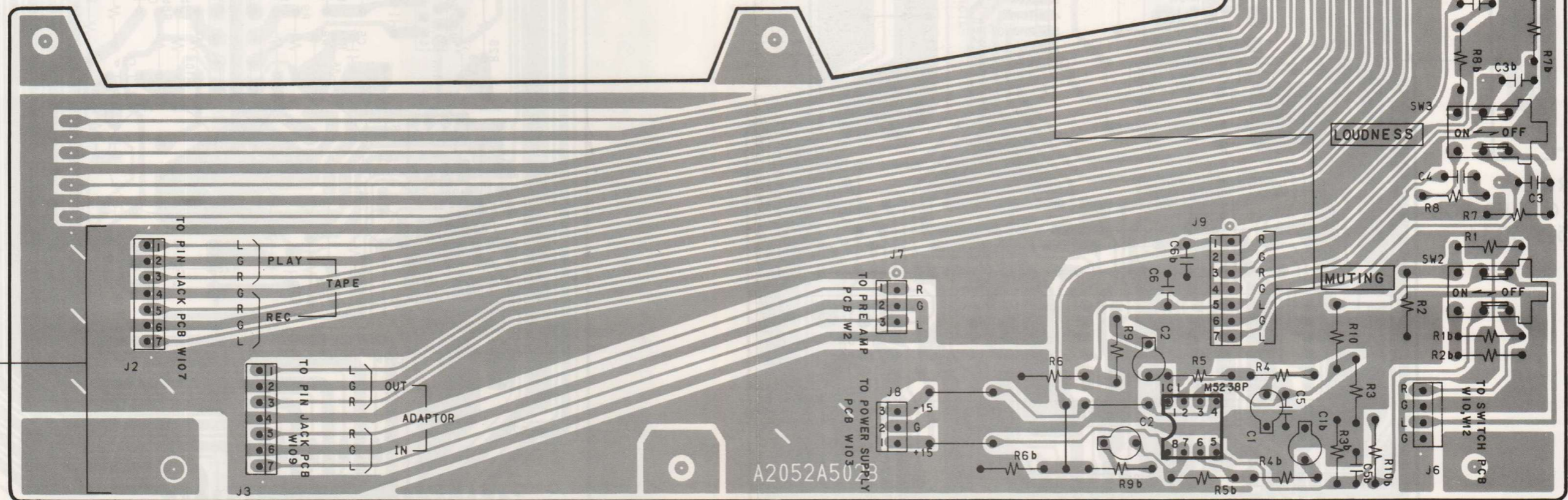
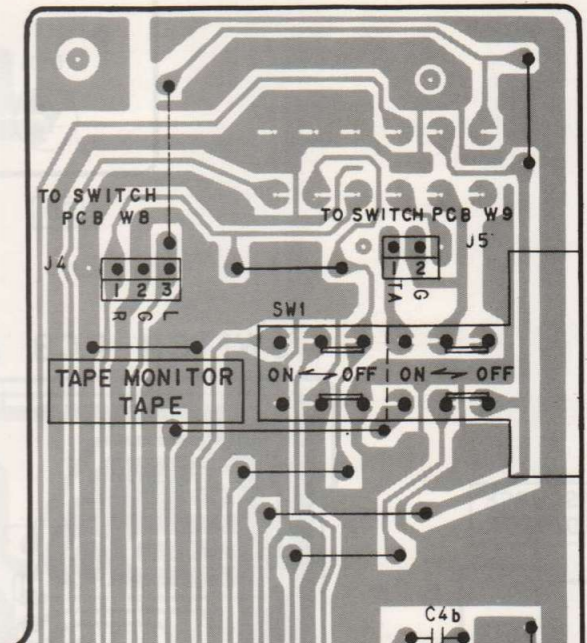
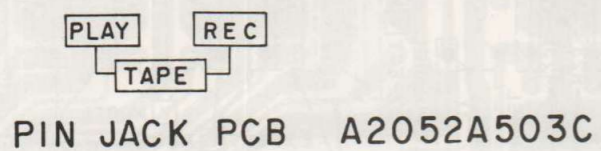
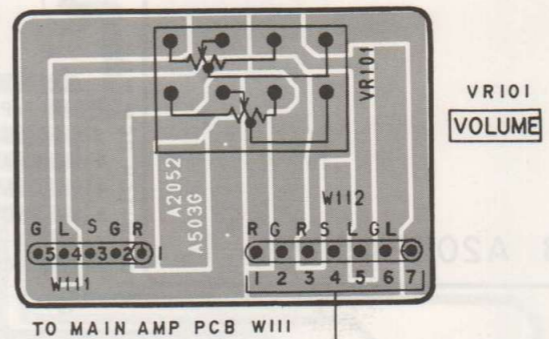
POWER LED PCB A2052A503K

POWER SUPPLY PCB A2052A503B



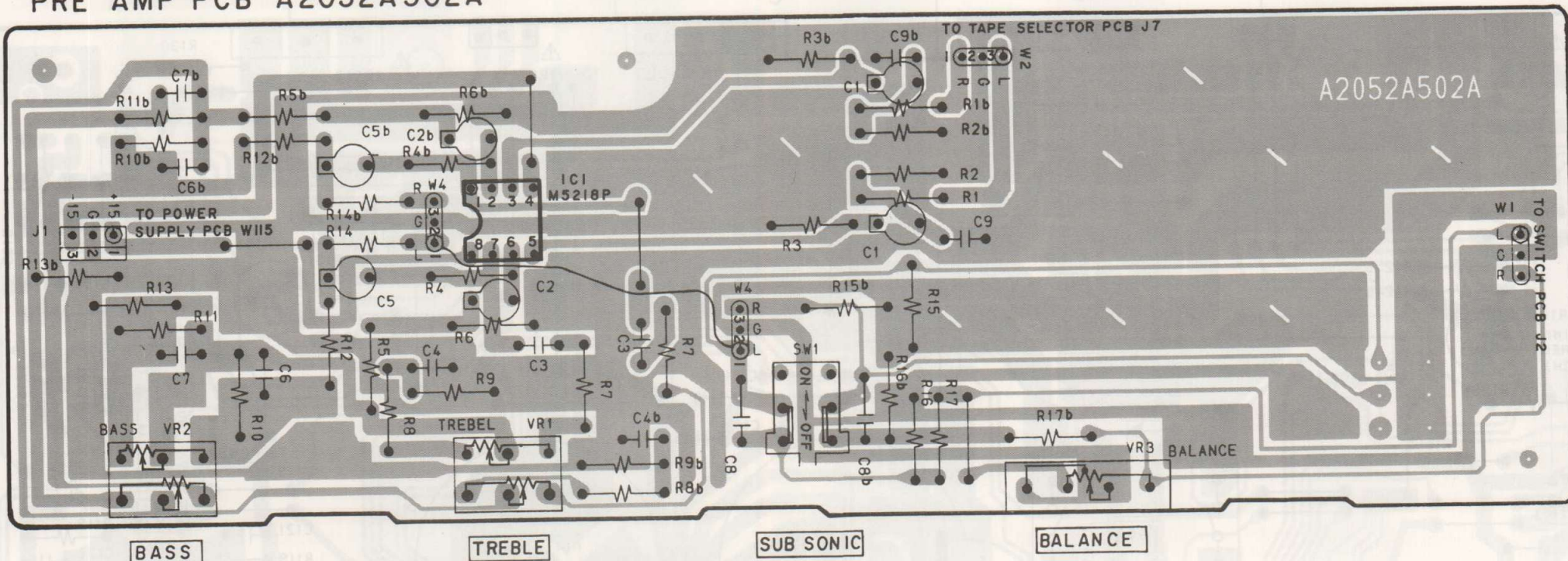


VOLUME PCB A2052A503G

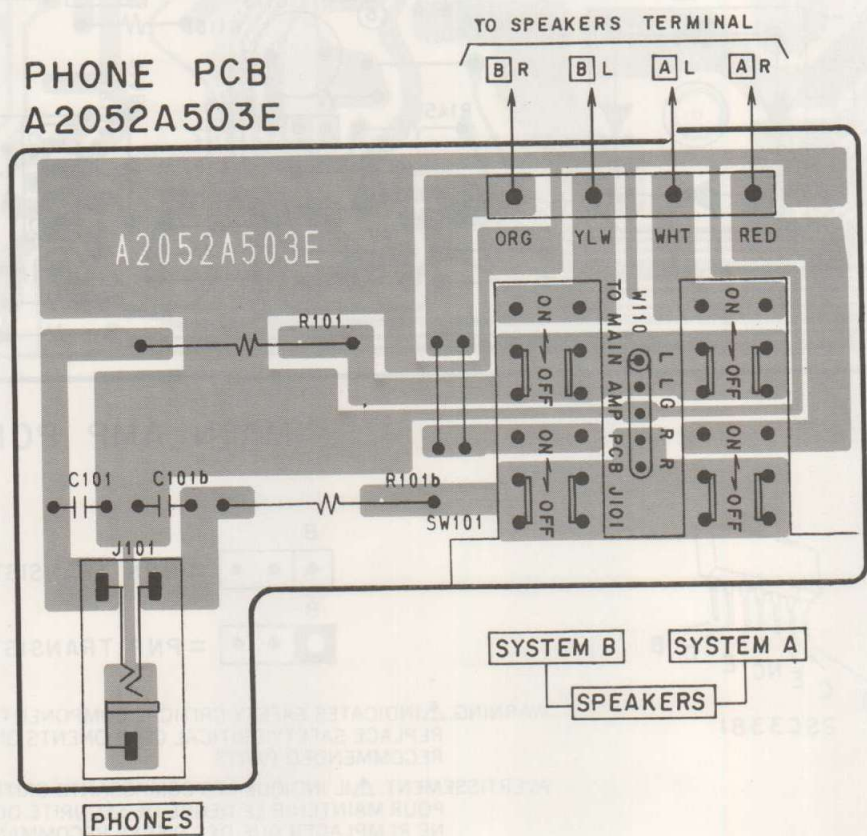


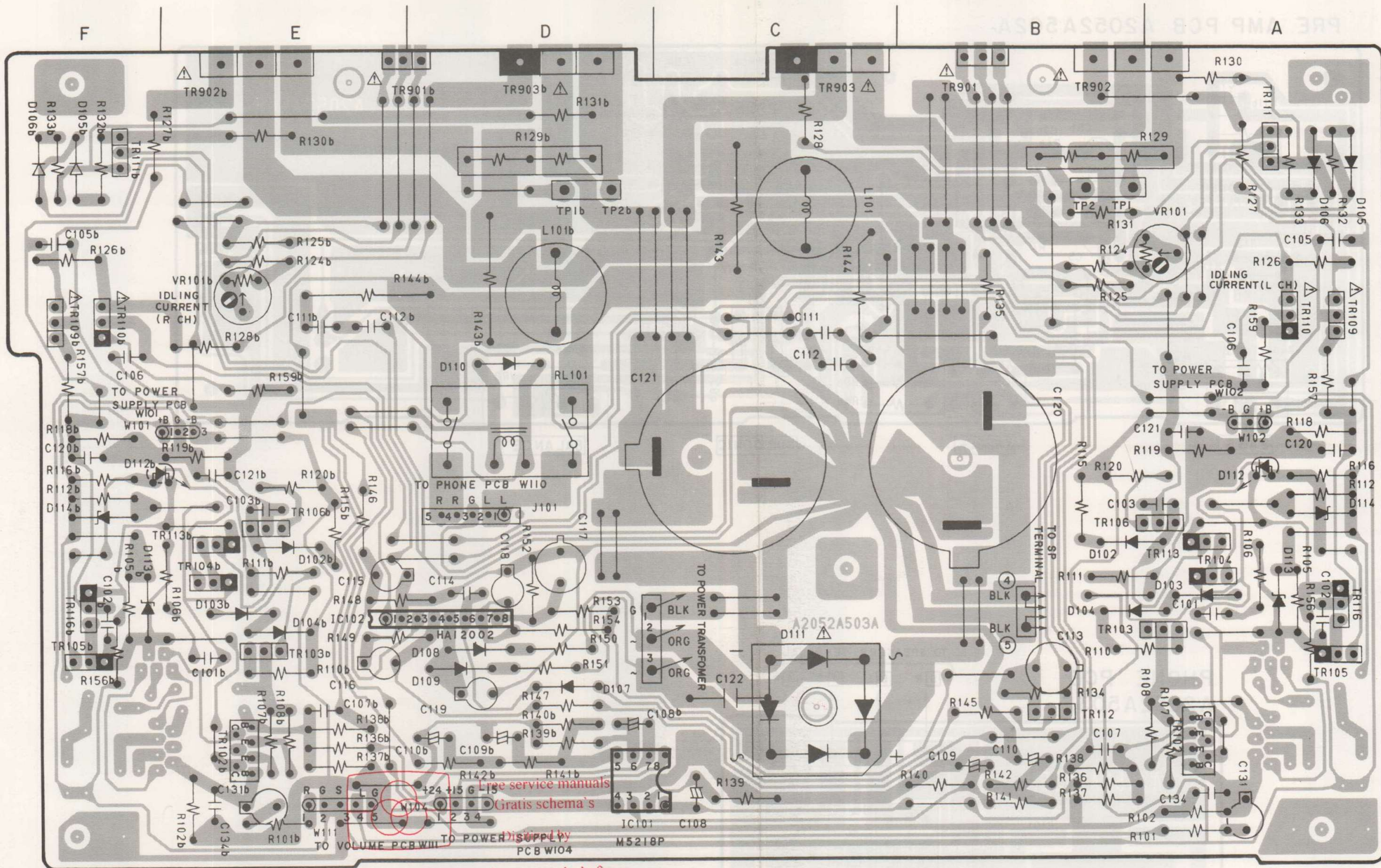
TAPE SELECTOR PCB A2052A502B

PRE AMP PCB A2052A502A



PHONE PCB A2052A503E

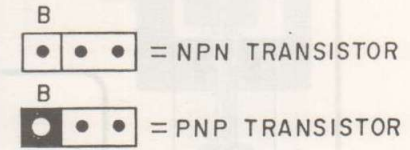
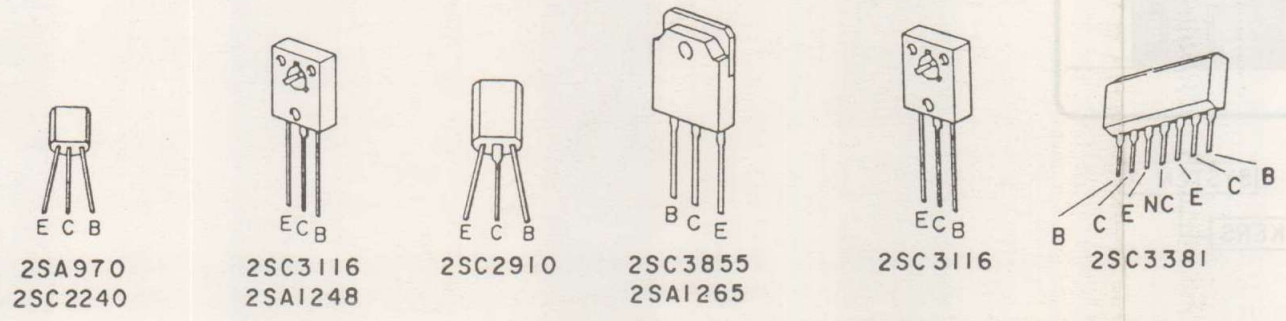




- IC
IC101. . . . D3
IC102. . . . D3
- TRANSISTOR
TR102 A3
TR102b E3
TR103 A3
TR103b E3
TR104 A3
TR104b E3
TR105 A3
TR105b F3
TR106 A2
TR106b E2
TR109 A2
TR109b F2
TR110 A2
TR110b F2
TR111 A1
TR111b F1
TR112 B3
TR113 A2
TR113b E3
TR116 A3
TR116b F3
TR901 B1
TR901b D1
TR902 B1
TR902b E1
TR903 C1
TR903b D1
- CONNECTOR
J101 D2
W101 E2
W102 A2
W104 D3
W111 E3

www.freeservicemanuals.info

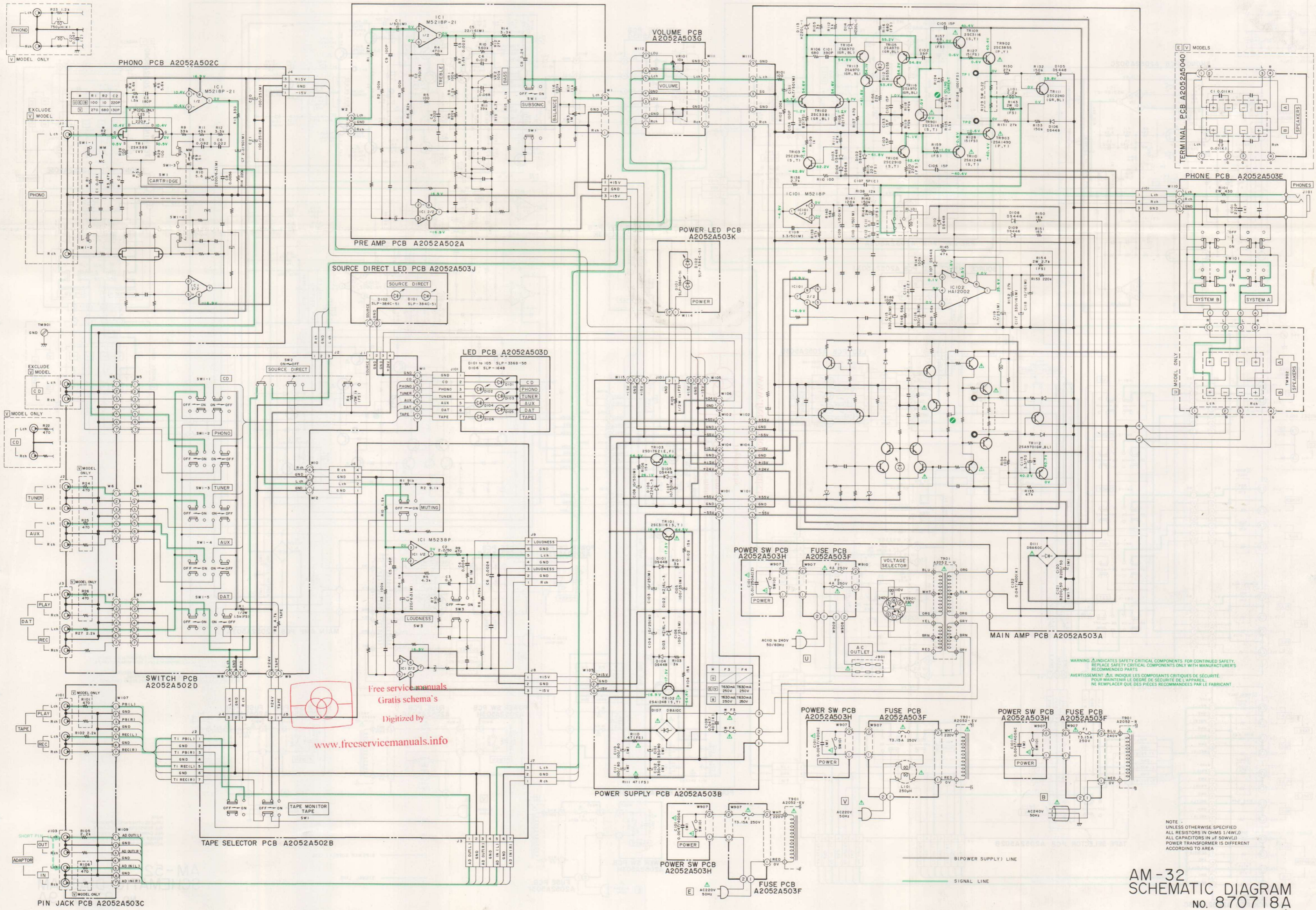
MAIN AMP PCB A2052A503A



WARNING: Δ INDICATES SAFETY CRITICAL COMPONENTS FOR CONTINUED SAFETY, REPLACE SAFETY CRITICAL COMPONENTS ONLY WITH MANUFACTURER'S RECOMMENDED PARTS

AVERTISSEMENT: Δ IL INDIQUE LES COMPOSANTS CRITIQUES DE SÉCURITÉ. POUR MAINTENIR LE DEGRÉ DE SÉCURITÉ DE L'APPAREIL, NE REMPLACER QUE DES PIÈCES RECOMMANDÉES PAR LE FABRICANT

AM-32

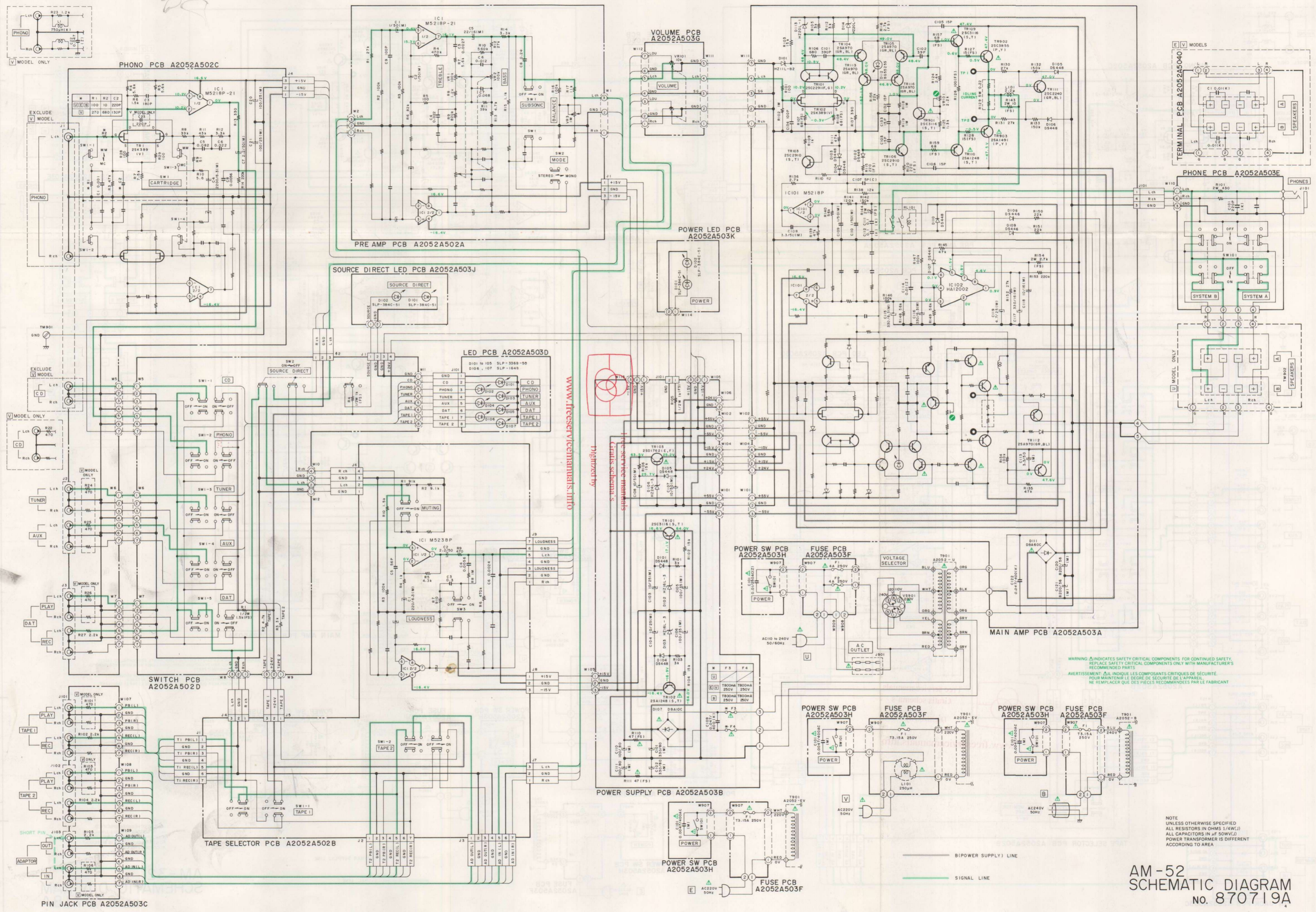


Free service manuals
 Gratis schema's
 Digitized by
www.freeservicemanuals.info

WARNING: Δ INDICATES SAFETY CRITICAL COMPONENTS FOR CONTINUED SAFETY. REPLACE SAFETY CRITICAL COMPONENTS ONLY WITH MANUFACTURER'S RECOMMENDED PARTS.
 AVERTISSEMENT: Δ INDIQUE LES COMPOSANTS CRITIQUES DE SÉCURITÉ. POUR MAINTENIR LE DEGRÉ DE SÉCURITÉ DE L'APPAREIL, NE REMPLACER QUE LES PIÈCES RECOMMANDÉES PAR LE FABRICANT.

AM-32
 SCHEMATIC DIAGRAM
 No. 870718A

AM-52



www.freeservicemanuals.info

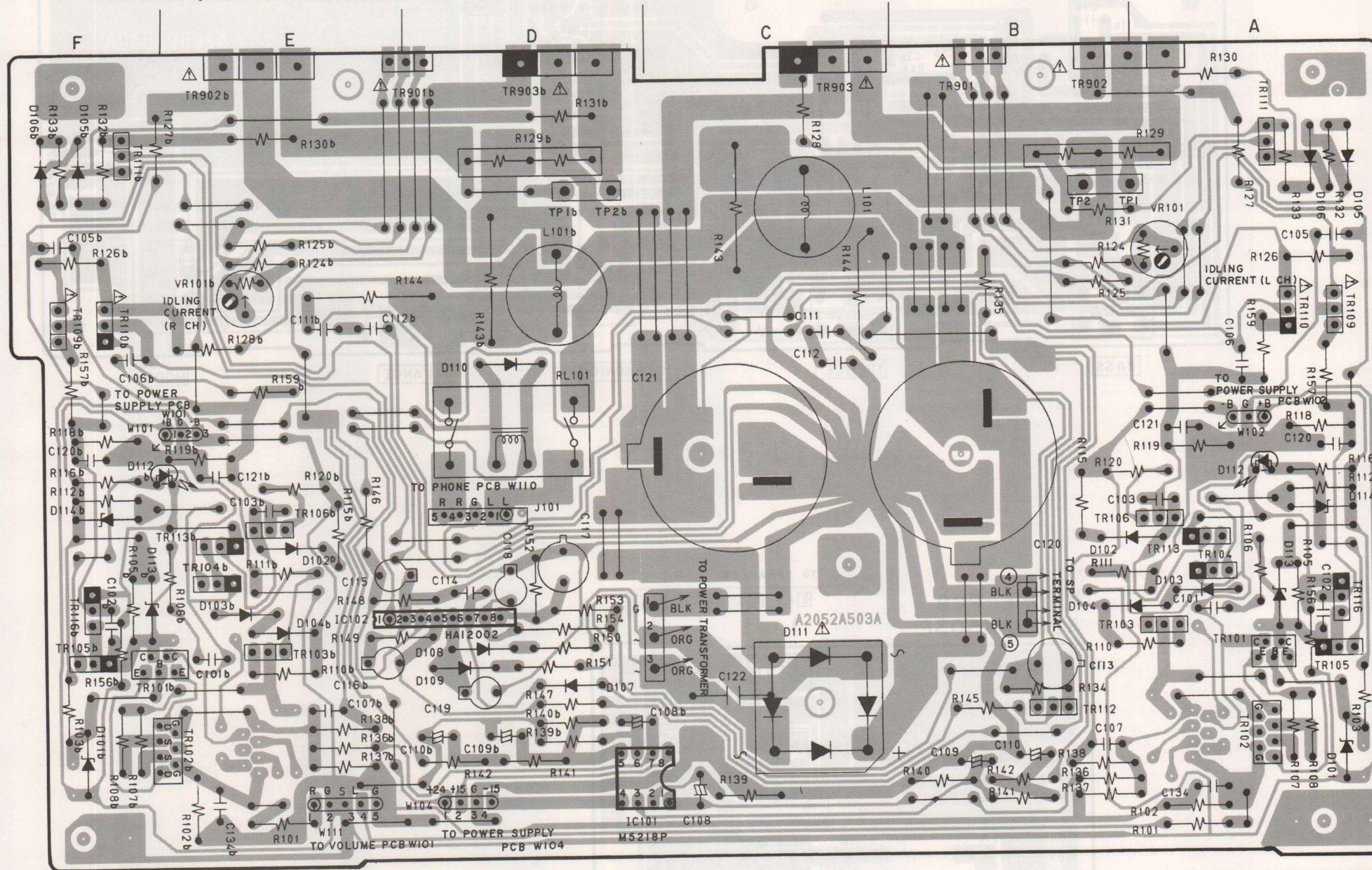
maintained by
francis.schima's
francis.schima's

WARNING: Δ INDICATES SAFETY CRITICAL COMPONENTS. FOR CONTINUED SAFETY, REPLACE SAFETY CRITICAL COMPONENTS ONLY WITH MANUFACTURER'S RECOMMENDED PARTS.
 AVERTISSEMENT: Δ INDIQUE LES COMPOSANTS CRITIQUES DE SÉCURITÉ. POUR MAINTENIR LE DEGRÉ DE SÉCURITÉ DE L'APPAREIL, NE REMPLACER QUE DES PIÈCES RECOMMANDÉES PAR LE FABRICANT.

AM-52
SCHEMATIC DIAGRAM
No. 870719A

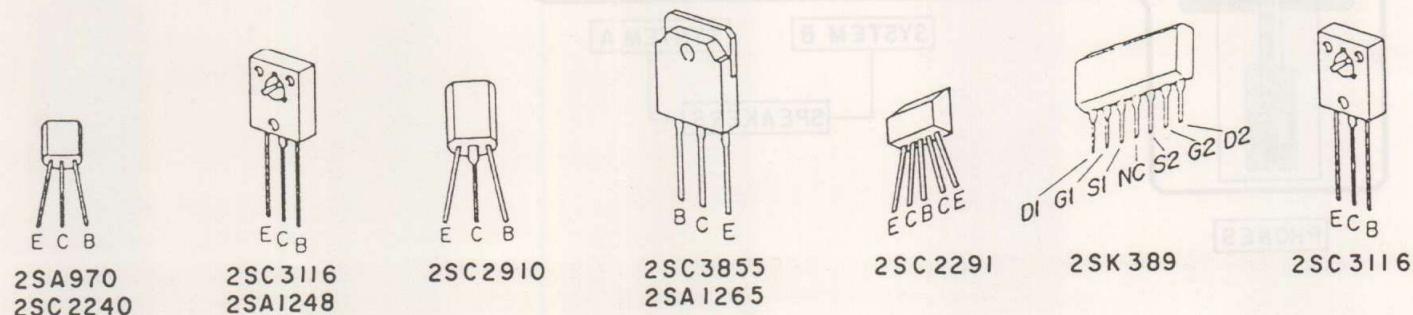
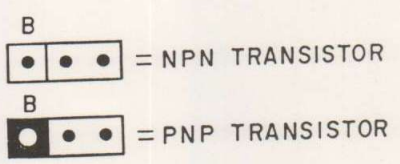
WARNING: Δ INDICATES SAFETY CRITICAL COMPONENTS FOR CONTINUED SAFETY. REPLACE SAFETY CRITICAL COMPONENTS ONLY WITH MANUFACTURER'S RECOMMENDED PARTS

AVERTISSEMENT: Δ IL INDIQUE LES COMPOSANTS CRITIQUES DE SÉCURITÉ. POUR MAINTENIR LE DEGRÉ DE SÉCURITÉ DE L'APPAREIL, NE REMPLACER QUE DES PIÈCES RECOMMANDÉES PAR LE FABRICANT

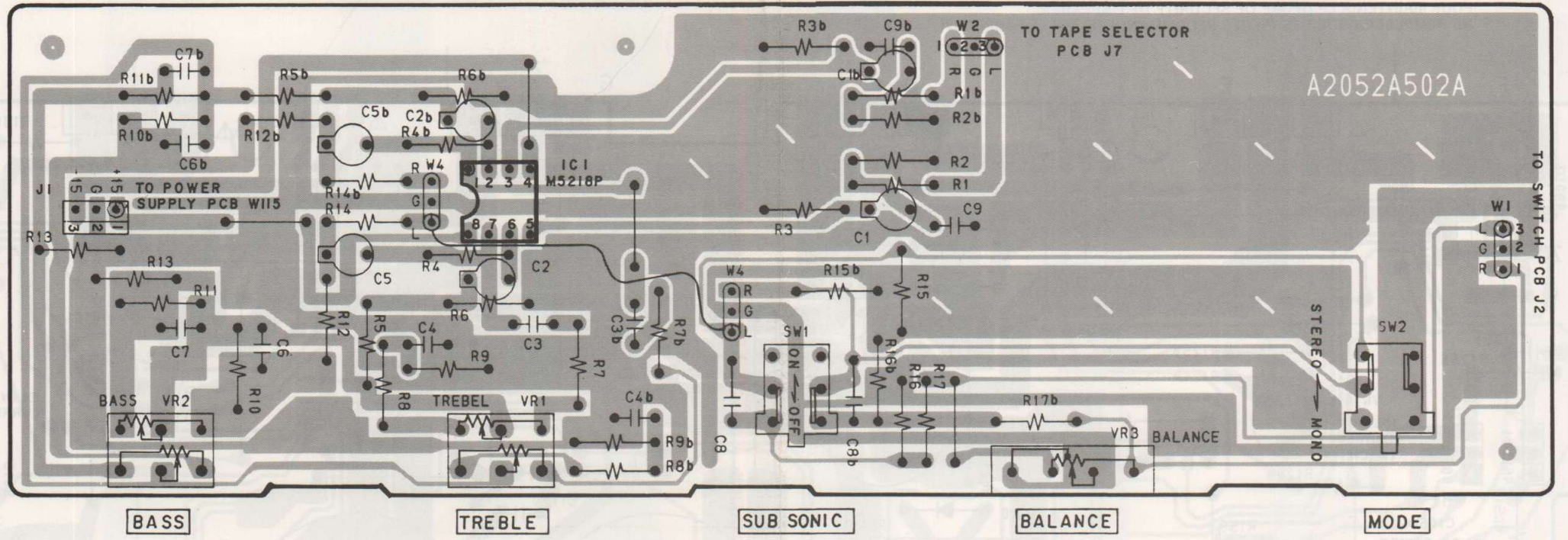


- IC
 IC101 . . . D3
 IC102 . . . D3
- TRANSISTOR
 TR101 . . . A3
 TR101b . . F3
 TR102 . . . A3
 TR102b . . F3
 TR103 . . . A3
 TR103b . . E3
 TR104 . . . A3
 TR104b . . E3
 TR105 . . . A3
 TR105b . . F3
 TR106 . . . A2
 TR106b . . E2
 TR109 . . . A2
 TR109b . . F2
 TR110 . . . A2
 TR110b . . F2
 TR111 . . . A1
 TR111b . . F1
 TR112 . . . B3
 TR113 . . . A2
 TR113b . . E3
 TR116 . . . A3
 TR116b . . F3
 TR901 . . . B1
 TR901b . . D1
 TR902 . . . B1
 TR902b . . E1
 TR903 . . . C1
 TR903b . . D1
- CONNECTOR
 J101 . . . D2
 W101 . . . E2
 W102 . . . A2
 W104 . . . D3
 W111 . . . E3

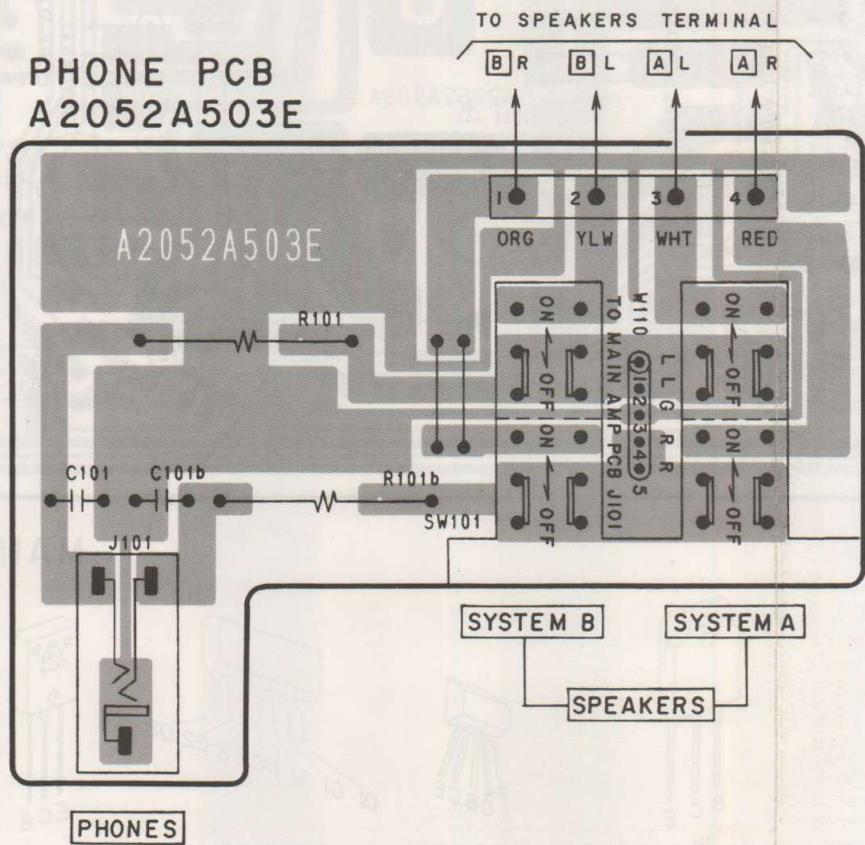
MAIN AMP PCB A2052A503A

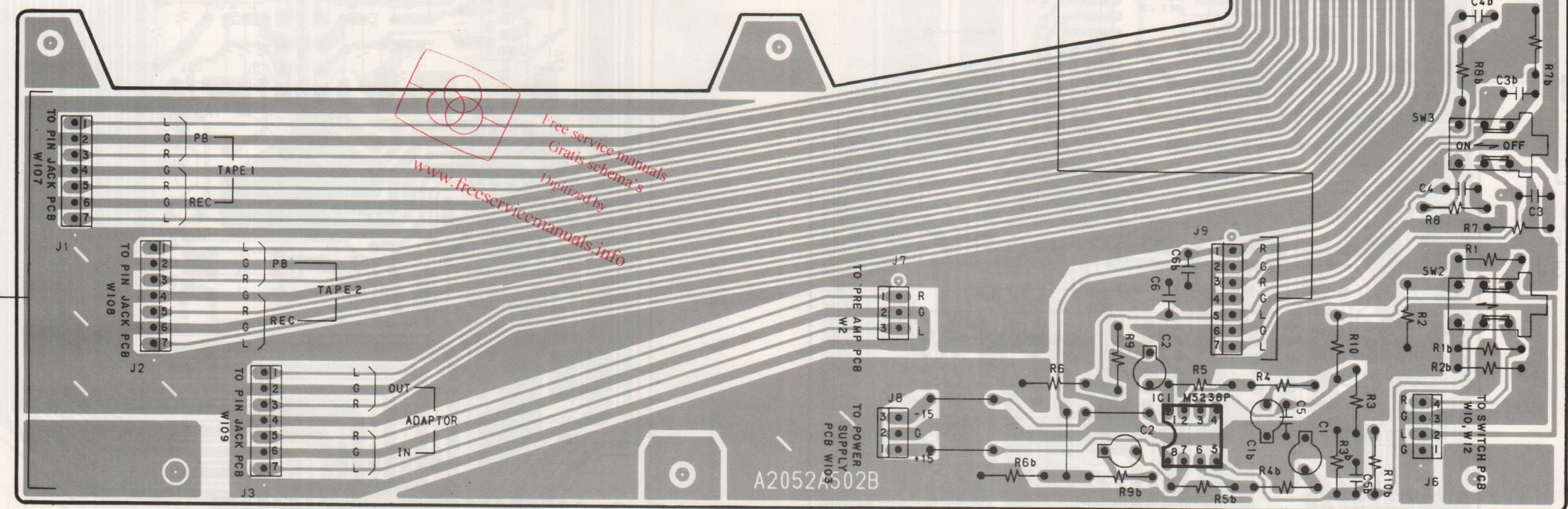
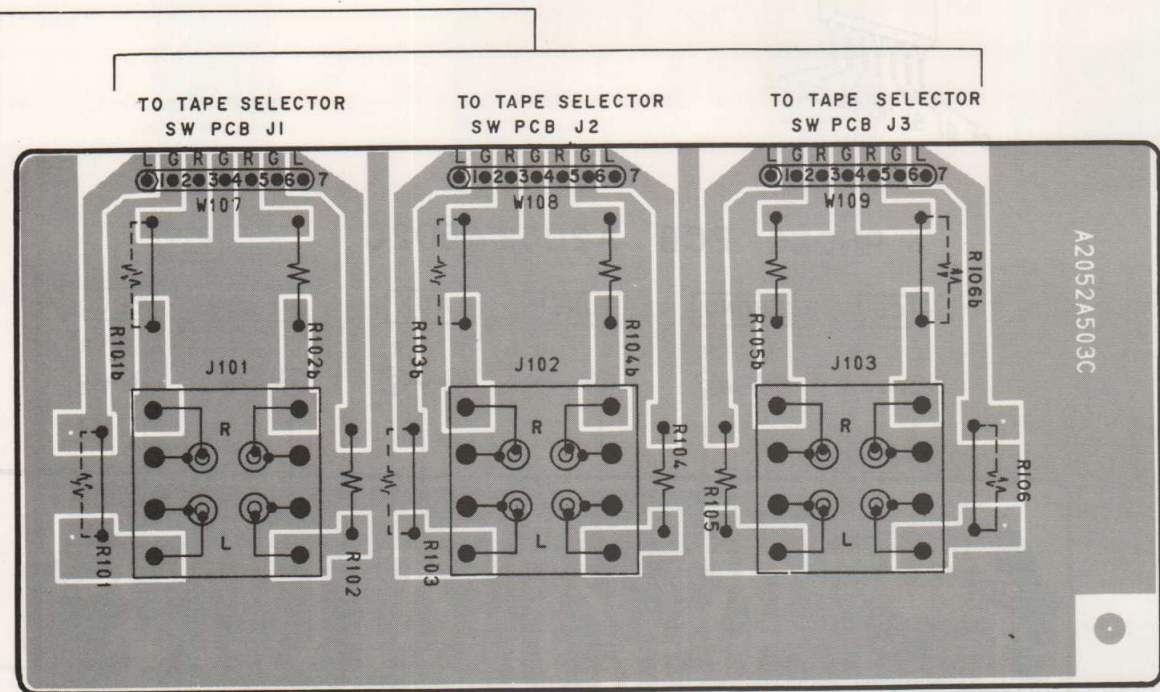


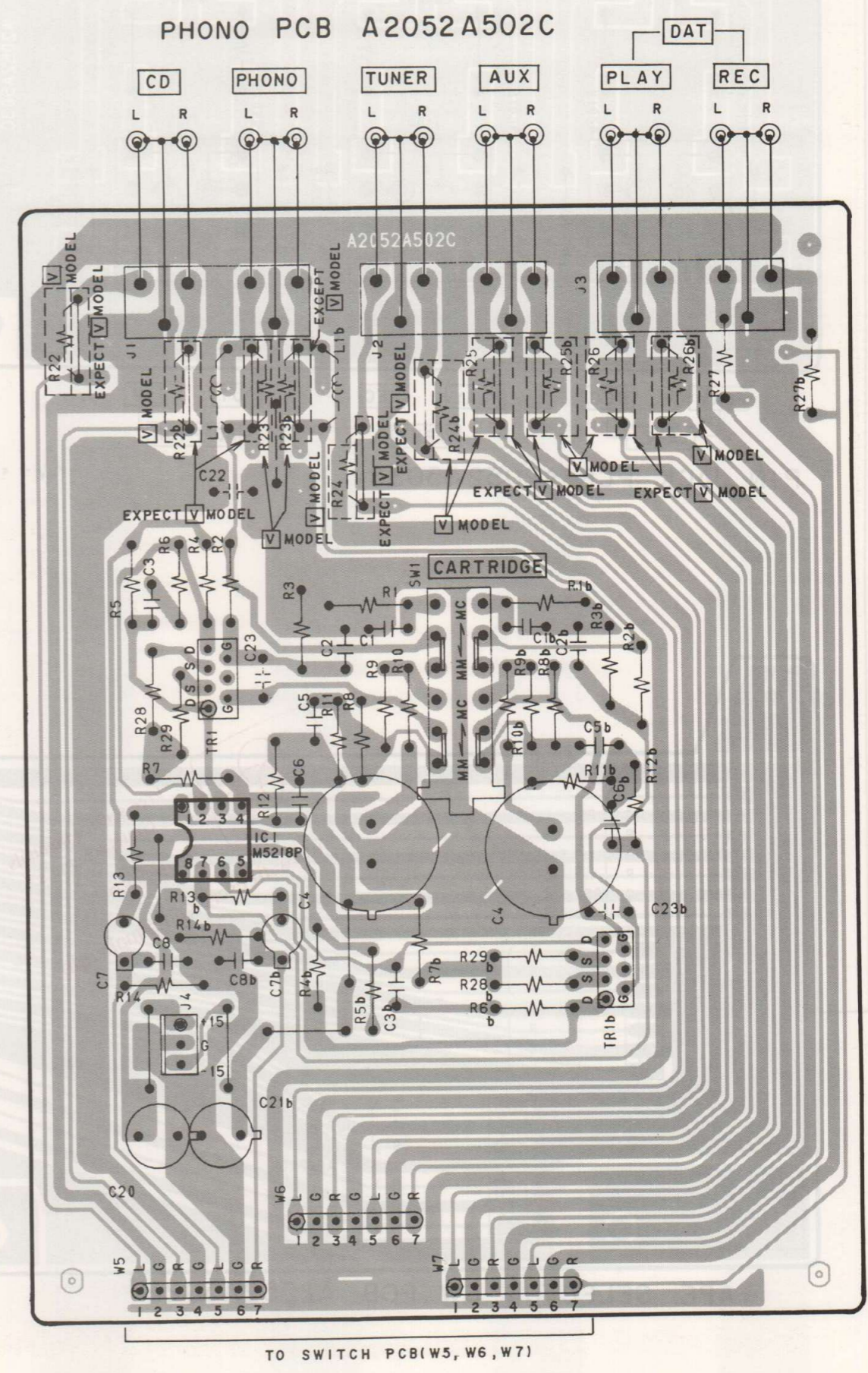
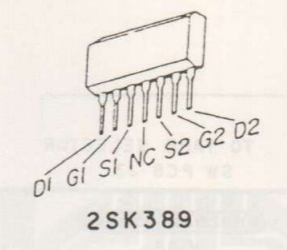
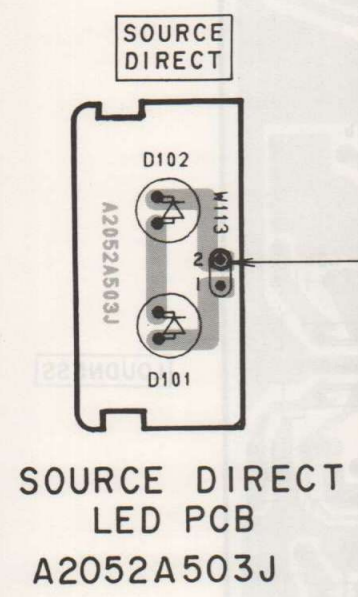
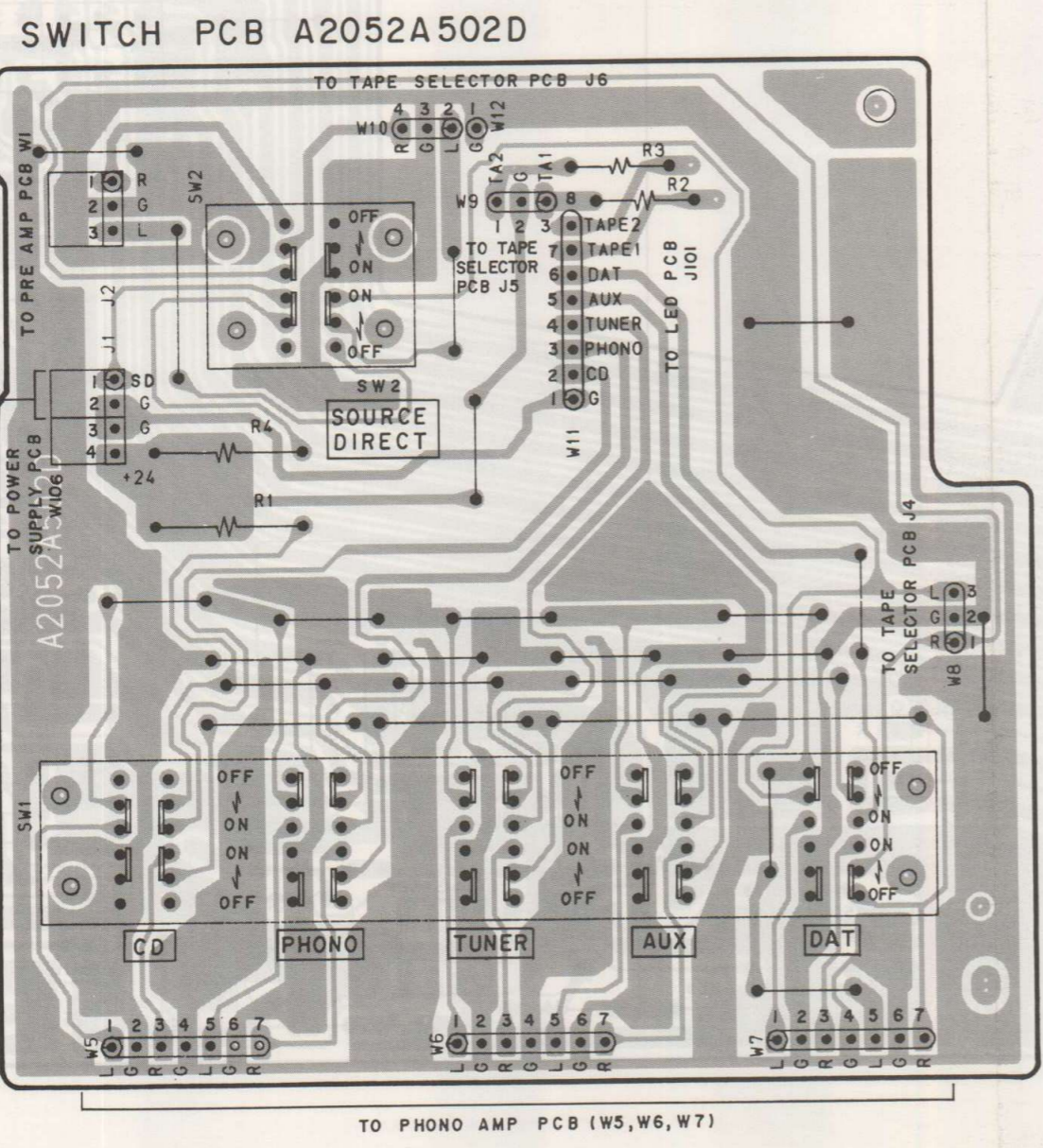
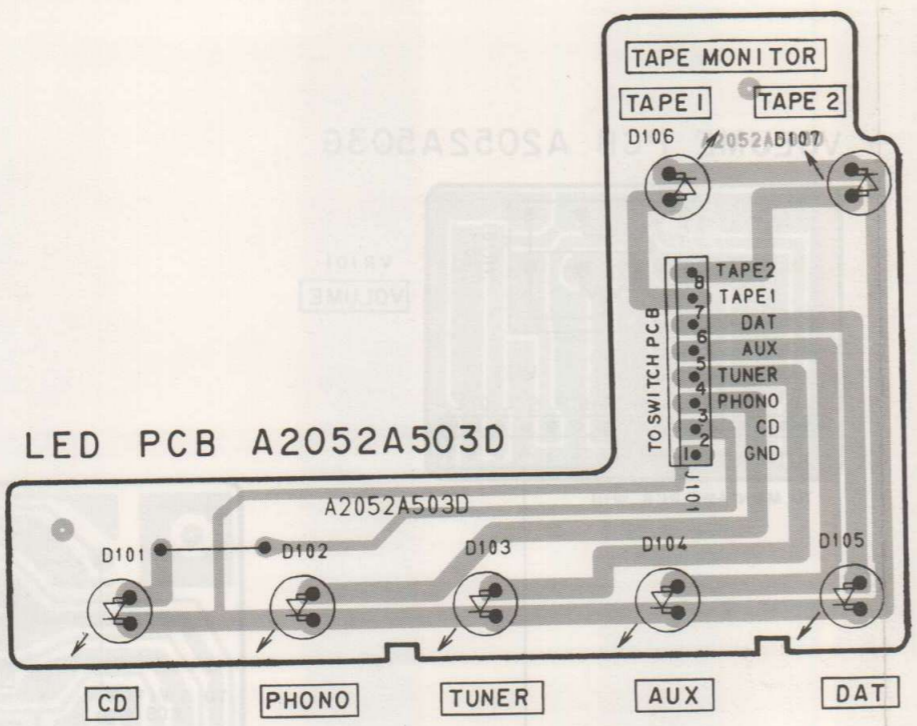
PRE AMP PCB A2052A502A

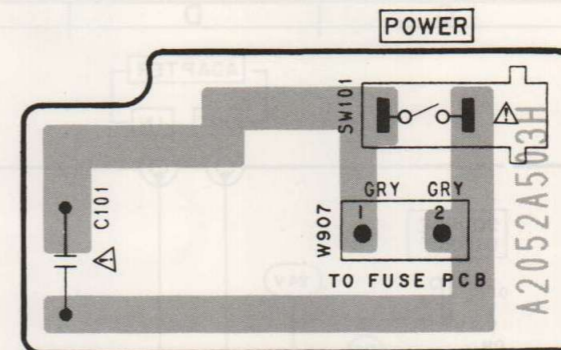
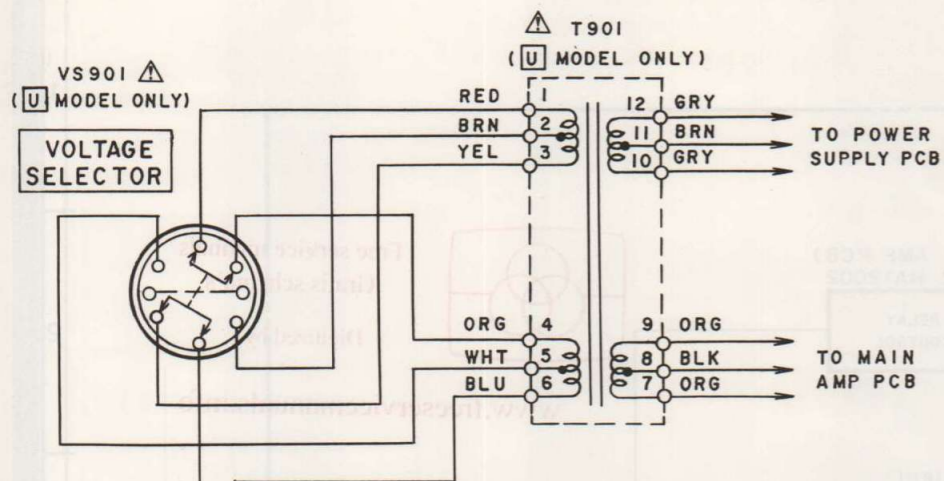


PHONE PCB A2052A503E



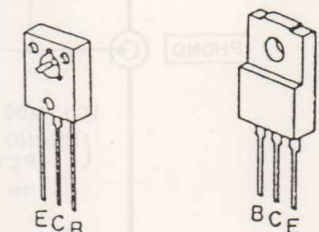






POWER SW PCB A2052A503H

WARNING: Δ INDICATES SAFETY CRITICAL COMPONENTS FOR CONTINUED SAFETY, REPLACE SAFETY CRITICAL COMPONENTS ONLY WITH MANUFACTURER'S RECOMMENDED PARTS
 AVERTISSEMENT: Δ IL INDIQUE LES COMPOSANTS CRITIQUES DE SÉCURITÉ. POUR MAINTENIR LE DEGRÉ DE SÉCURITÉ DE L'APPAREIL, NE REMPLACER QUE DES PIÈCES RECOMMANDÉES PAR LE FABRICANT

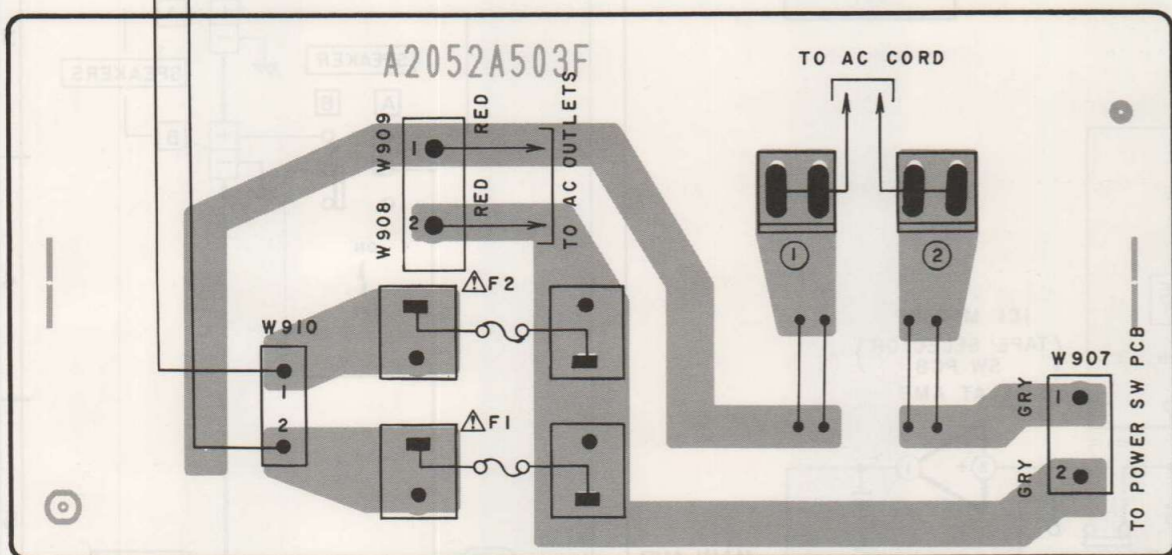


2SC3116
2SA1248

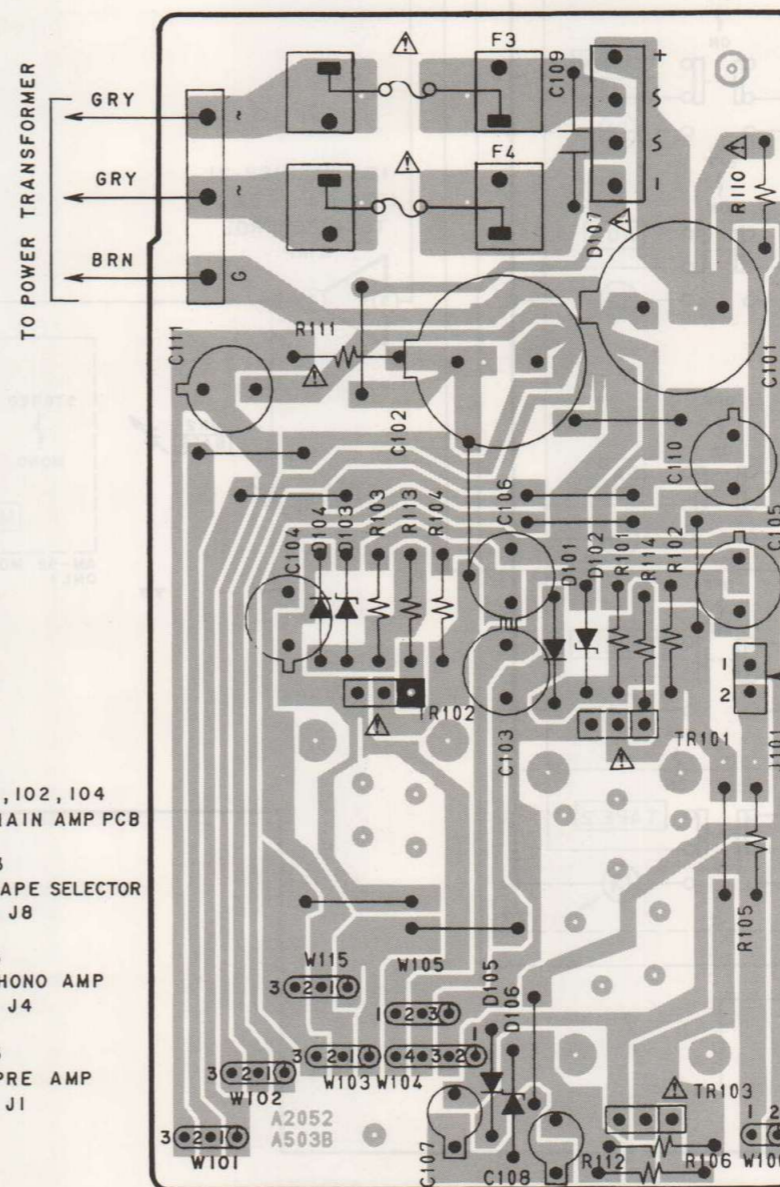
2SD1762

TR101---2SC3116
TR102---2SA1248
TR103---2SD1762

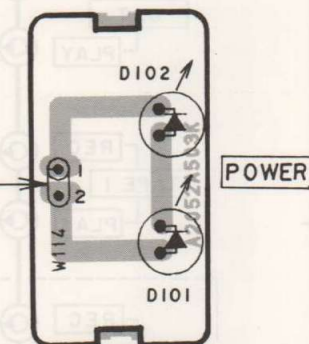
\square = NPN TRANSISTOR
 \square = PNP TRANSISTOR



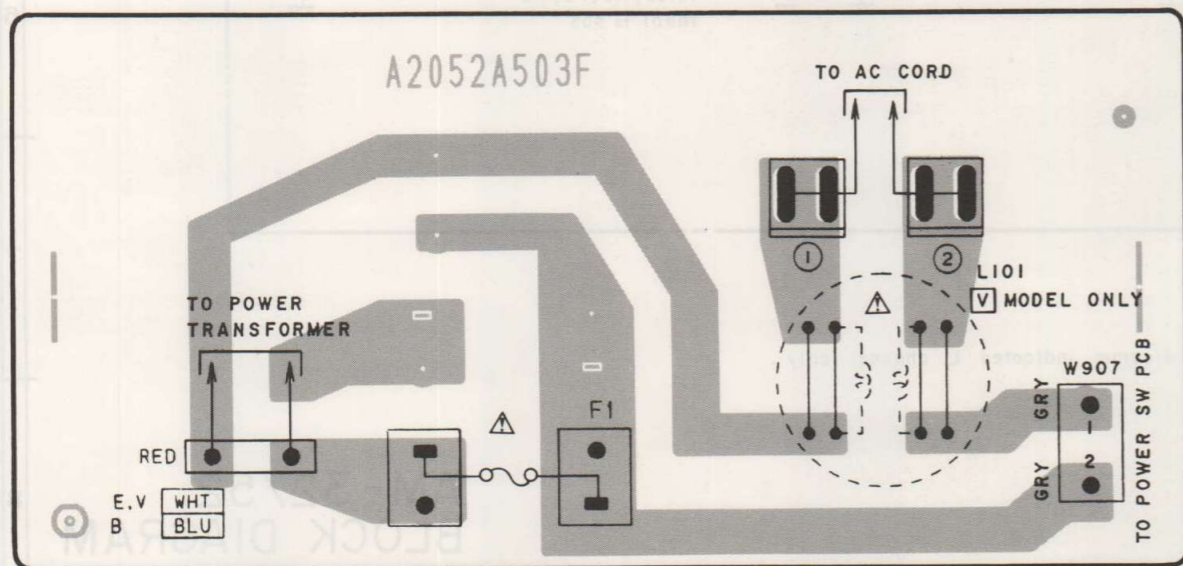
FUSE PCB (U MODEL ONLY) A2052A503F



POWER SUPPLY PCB A2052A503B



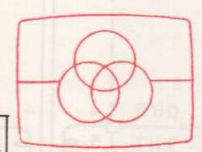
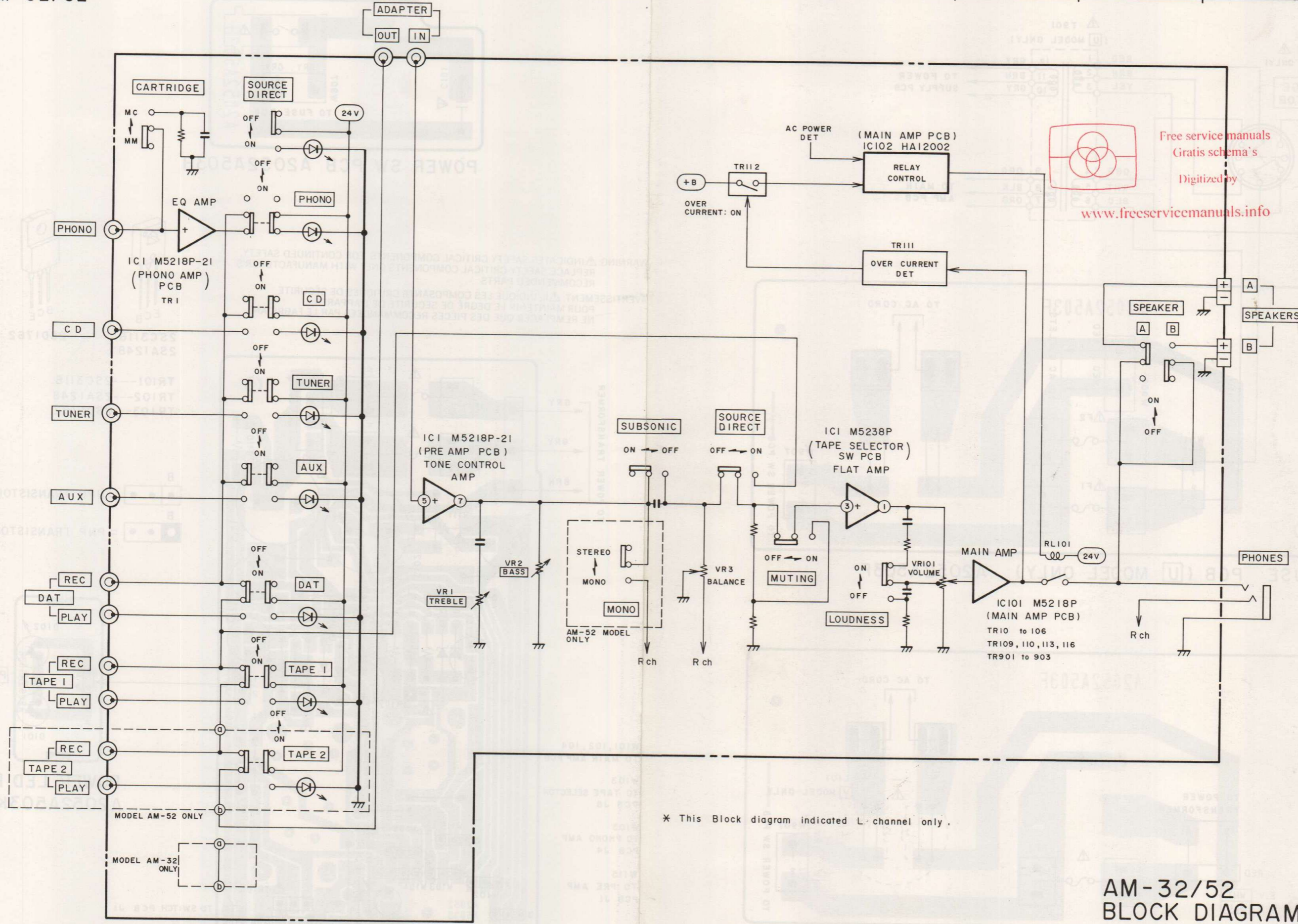
POWER LED PCB A2052A503K



FUSE PCB (BEV MODEL ONLY)

W101, 102, 104
TO MAIN AMP PCB
 W103
TO TAPE SELECTOR
PCB J8
 W105
TO PHONO AMP
PCB J4
 W115
TO PRE AMP
PCB J1

AM-32/52



Free service manuals
Gratis schema's
Digitized by

www.freeservicemanuals.info

AM-32/52
BLOCK DIAGRAM
No. 870717A