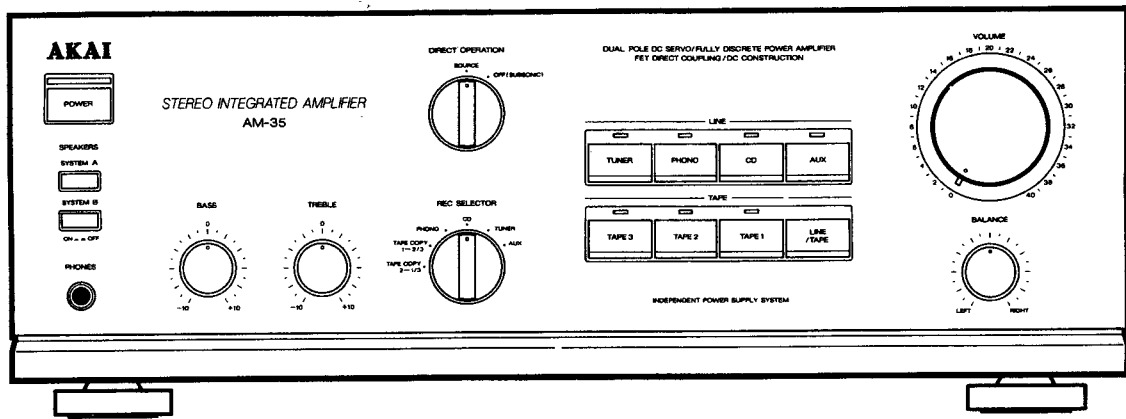
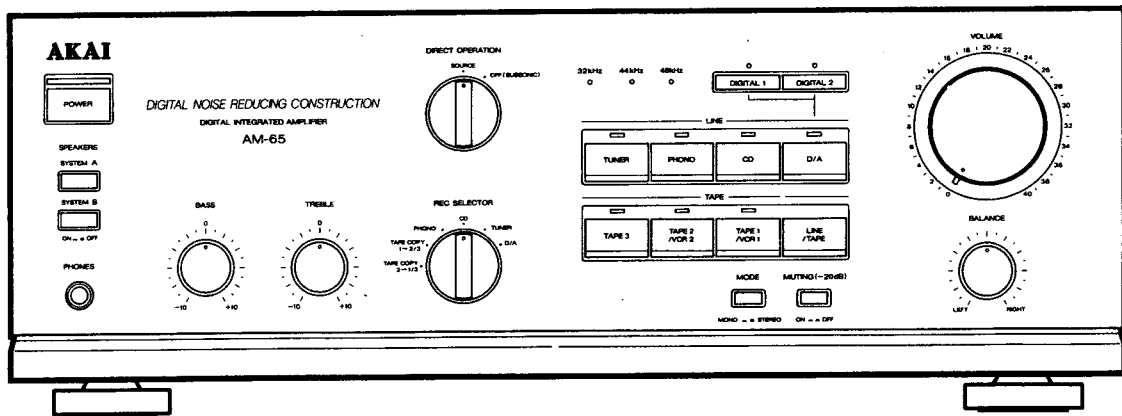


AKAI SERVICE MANUAL



MODEL AM-35



MODEL AM-65

STEREO INTEGRATED AMPLIFIER

MODEL AM-35

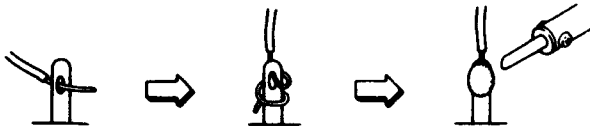
DIGITAL INTEGRATED AMPLIFIER

MODEL AM-55/65

★ SAFETY INSTRUCTIONS

PRECAUTIONS DURING SERVICING

1. Parts identified by the \triangle (*) symbol are critical for safety. Replace only with parts number specified.
2. In addition to safety, other parts and assemblies are specified for conformance with such regulations as those applying to spurious radiation.
These must also be replaced only with specified replacements.
Examples: RF converters, tuner units, antenna selector switches, RF cables, noise blocking capacitors, noise blocking filters, etc.
3. Use specified internal wiring. Note especially:
 - 1) Wires covered with PVC tubing
 - 2) Double insulated wires
 - 3) High voltage leads
4. Use specified insulating materials for hazardous live parts. Note especially:
 - 1) Insulation Tape
 - 2) PVC tubing
 - 3) Spacers (Insulating Barriers)
 - 4) Insulation sheets for transistors
 - 5) Plastic screws for fixing microswitch (especially in turntable)
5. When replacing AC primary side components (transformers, power cords, noise blocking capacitors, etc.), wrap ends of wires securely about the terminals before soldering.



6. Observe that wires do not contact heat producing parts (heatsinks, oxide metal film resistors, fusible resistors, etc.).

7. Check that replaced wires do not contact sharp edged or pointed parts.
8. Also check areas surrounding repaired locations.
9. Use care that foreign objects (screws, solder droplets, etc.) do not remain inside the set.

SAFETY CHECK AFTER SERVICING

After servicing, make measurements of leakage-current or resistance in order to determine that exposed parts are acceptably insulated from the supply circuit.

The leakage-current measurement should be done between accessible metal parts (such as chassis, ground terminal, microphone jacks, signal-input/output connectors, etc.) and the earth ground through a resistor of 1500 ohms paralleled with a 0.15 μ F capacitor, under the unit's normal working conditions. The leakage-current should be less than 0.5 mA rms AC.

The resistance measurement should be done between accessible exposed metal parts and power cord plug prongs with the power switch (if included) "ON". The resistance should be more than 2.2 Mohms.

★ INFORMATION

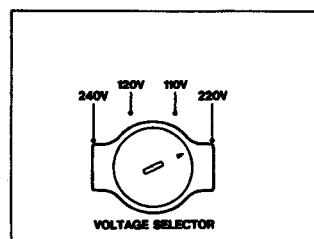
SYMBOLS FOR PRIMARY DESTINATION

Alphabet indicates the destination of the units as listed below.

Symbols	Principal Destinations
A	USA
B	UK
C	Canada
E	Europe (except UK)
J	Japan
S	Australia
V	W. Germany only
U	Universal Area
Y*	Custom version

VOLTAGE CONVERSION (U Model only)

Before connecting the power cord. Set the VOLTAGE SELECTOR located on the rear panel with a screwdriver so that the correct voltage is indicated.



I. SPECIFICATIONS

1-1 MODEL AM-35

Power output	90W + 90W (DIN, 4 ohms, 1 kHz, 1 %) 60 W + 60 W (FTC, 8 ohms, 30 Hz to 20 kHz, 0.05 %)	Power requirements	220 V, 50 Hz for Europe except UK 240 V, 50 Hz for UK and Australia 110 V/120 V/220 V/240 V, 50/60 Hz convertible for other countries
Power band width	10 Hz to 60 kHz/1.0 %	Dimensions	425(W) × 156(H) × 370(D) mm (16.7 × 6.1 × 14.6 inches)
Total harmonic distortion ..	0.005 % (1 kHz, 8 ohms)	Weight	9.6 kg (21.1 lbs)
Phono max. input level	160 mV		
Frequency response	5 Hz to 100 kHz (+ 0 dB, - 3 dB)		
Tone control			
BASS	±8 dB (100 Hz)		
TREBLE	±8 dB (10 kHz)		
Input sensitivity/Impedance			
PHONO(MM)	2.5 mV/47 kohms		
TUNER, etc	150 mV/47 kohms		
Output level/Impedance			
TAPE REC OUT	150 mV/1 kohm		
Damping factor	45(1 kHz, 8 ohms)		
Residual noise	0.1 mV(A-filter)		
S/N			
PHONO(MM)	84 dB		
TUNER, etc	100 dB		
Channel separation	60 dB(1 kHz)/50 dB(10 kHz)		
Required speaker impedance			
A or B	4 to 16 ohms		
A and B	8 to 16 ohms		
		Standard accessories	
		Operator's manual	1

* For improvement purposes, specifications and design are subject to change without notice.

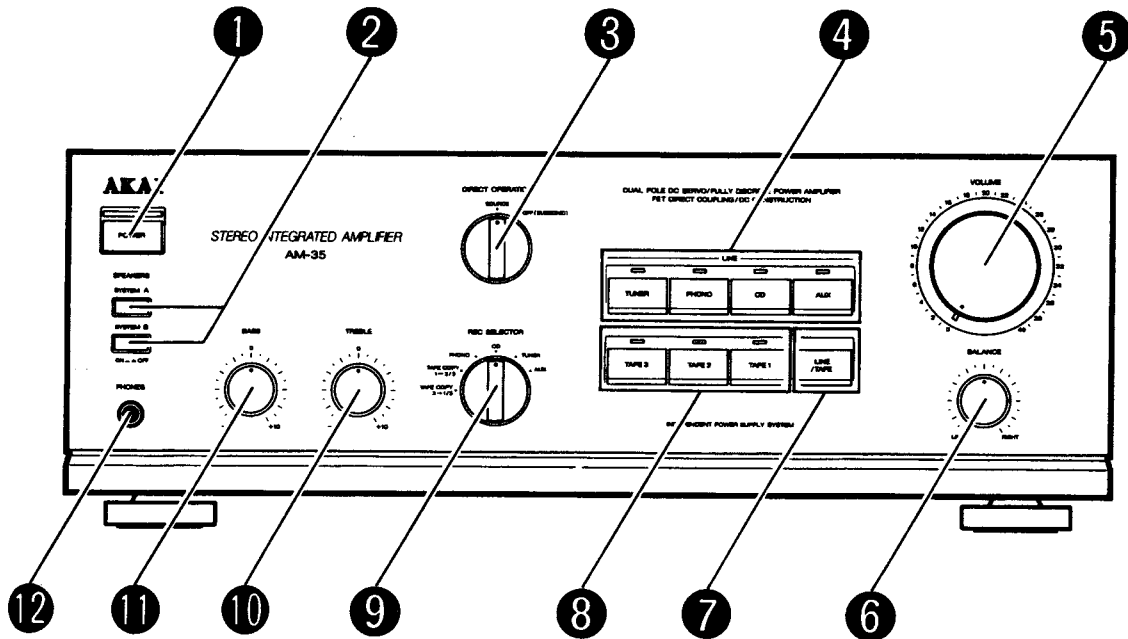
1-2 MODEL AM-55/65

Power output		(D/A section)	
(65 MODEL)	150 W + 150 W (DIN, 4 ohms, 1 kHz, 1 %) 100 W + 100 W (FTC, 8 ohms, 30 Hz to 20 kHz, 0.05 %)	Sampling frequency	32 kHz/44.1 kHz/48 kHz
(55 MODEL)	120 W + 120 W (DIN, 4 ohms, 1 kHz, 1 %) 80 W + 80 W (FTC, 8 ohms, 30 Hz to 20 kHz, 0.05 %)	Digital filter	8 fs, 18 bit
Power band width	5 Hz to 60 kHz/1.0 %	D/A converter	18 bit, 2 DAC
Total harmonic distortion ..	0.005 % (1 kHz, 8 ohms)	Digital input level/Impedance	
Phono max. input level	160 mV	Coaxial	0.5 Vp-p/75 ohms
Frequency response	5 Hz to 100 kHz (+ 0 dB, - 3 dB)	Optical	-14 to -23 dBm
Tone control		Frequency response	5 Hz to 20 kHz (±0.3 dB)
BASS	± 8 dB (100 Hz)	Dynamic range	96 dB
TREBLE	± 8 dB (10 kHz)	Total harmonic distortion ..	0.002 %
Input sensitivity/Impedance		Channel separation	102 dB
PHONO(MM)	2.5 mV/47 kohms	Power requirements	220 V, 50 Hz for Europe except UK 240 V, 50 Hz for UK and Australia 110 V/120 V/220 V/240 V, 50/60 Hz convertible for other countries
TUNER, etc	150 mV/47 kohms	Dimensions	
Output level/Impedance		(65 MODEL)	425(W) × 159(H) × 371(D) mm (16.7 × 6.1 × 14.6 inches)
TAPE REC OUT	150 mV/1 kohm	(55 MODEL)	425(W) × 156(H) × 370(D) mm (16.7 × 6.1 14.6 inches)
Damping factor	45(1 kHz, 8 ohms)	Weight	
Residual noise	0.1 mV(A-filter)	(65 MODEL)	11.7 kg (25.7 lbs)
S/N		(55 MODEL)	10.8 kg (23.8 lbs)
(65 MODEL)			
PHONO(MM)	86 dB		
TUNER, etc	102 dB		
(55 MODEL)			
PHONO(MM)	85 dB		
TUNER, etc	101 dB		
Channel separation	60 dB(1 kHz)/50 dB(10 kHz)		
Audio mute	-20 dB		
Required speaker impedance			
A or B	4 to 16 ohms		
A and B	8 to 16 ohms		
		Standard accessories	
		Operator's manual	1

* For improvement purposes, specifications and design are subject to change without notice.

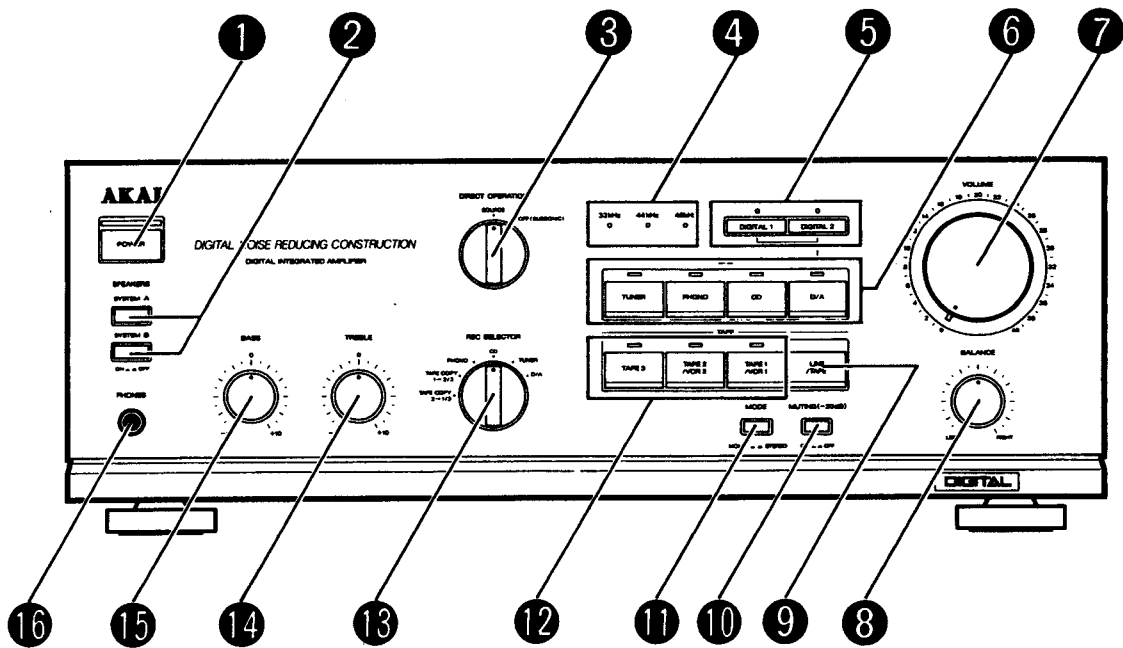
II. CONTROL

2-1 MODEL AM-35



- 1 POWER Button and Indicator**
To turn the power on and off.
- 2 SPEAKERS SYSTEM A/B Switch (ON/OFF)**
To select the speaker system. For headphone listening, turn both switches to OFF. When using two pairs of speaker systems at the same time, turn both switches to ON.
- 3 DIRECT OPERATION Switch (SOURCE/OFF (SUBSONIC))**
To select the playback operation mode. Set the switch to SOURCE for pure sound playback of the source. Set the switch to OFF if you wish to use the MODE switch, BASS, TREBLE or BALANCE controls to adjust the sound.
- 4 LINE Input Select Buttons and LINE Indicators (TUNER, PHONO, CD and AUX)**
To select the playback source you wish to listen to.
- 5 VOLUME Control**
To adjust the volume level. The 40 position is the maximum volume output of the amplifier.
- 6 BALANCE Control**
To adjust the left and right channel balance. Normally set this control set to its center click position.
- 7 LINE/TAPE Select Button**
To turn the tape select button on and off.
- 8 TAPE Select Buttons and TAPE Indicators (TAPE 1, TAPE 2 and TAPE 3)**
To select the cassette deck or DAT deck being used for playback.
- 9 REC SELECTOR Switch (TAPE COPY 2 → 1/3, TAPE COPY 1 → 2/3, PHONO, CD, TUNER and AUX)**
To select the playback source for recording.
- 10 TREBLE Tone Control**
To adjust the high note (treble) level. When set to 0, the control is ineffective.
- 11 BASS Tone Control**
To adjust the low note (bass) level. When set to 0, the control is ineffective.
- 12 PHONES Jack**
For headphone listening. Connect the headphone plug to the jack.

2-2 MODEL AM-55/65



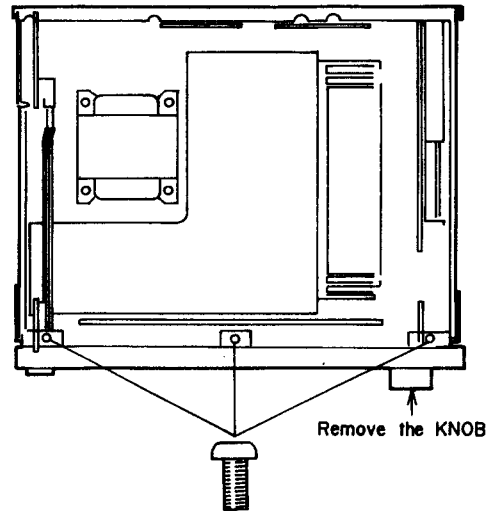
- 1 POWER Button and Indicator**
To turn the power on and off.
- 2 SPEAKERS SYSTEM A/B Switch**
(ON/ OFF)
To select the speaker system.
For headphone listening, turn both switches to . When using two pairs of speaker systems at the same time, turn both switches to .
- 3 DIRECT OPERATION Switch**
(SOURCE/OFF (SUBSONIC))
To select the playback operation mode. Set the switch to SOURCE for pure sound playback of the source. Set the switch to OFF if you wish to use the MODE switch, BASS, TREBLE or BALANCE controls to adjust the sound.
- 4 Sampling Frequency Indicators**
(32kHz/44kHz/48kHz)
Tells you the sampling frequency of the digital source being played back.
- 5 Digital Input Select Buttons and Indicators**
(DIGITAL 1, DIGITAL 2)
To select the digital input source.
- 6 LINE Input Select Buttons and LINE Indicators**
(TUNER, PHONO, CD, and D/A)
To select the playback source you wish to listen to.
- 7 VOLUME Control**
To adjust the volume level. The 40 position is the maximum volume output of the amplifier.
- 8 BALANCE Control (LEFT/RIGHT)**
To adjust the left and right channel balance.
Normally set this control to its center click position |.
- 9 LINE/TAPE Select Button**
To turn the tape select button on and off.
- 10 MUTING (-20dB) Switch**
(ON/ OFF)
To reduce the volume instantly during playback without using the VOLUME control.
- 11 MODE Switch**
(MONO/ STEREO)
To select between the stereo and monaural playback mode.
- 12 TAPE Select Buttons and TAPE Indicators**
(TAPE 1/VCR 1, TAPE 2/VCR 2 and TAPE 3)
To select the cassette deck, DAT deck or video cassette recorder being used for playback.
- 13 REC SELECTOR Switch**
(TAPE COPY 2 → 1/3, TAPE COPY 1 → 2/3, PHONO, CD, TUNER and D/A)
To select the playback source for recording.
- 14 TREBLE Tone Control**
To adjust the high note (treble) level. When set to 0, the control is ineffective.
- 15 BASS Tone Control**
To adjust the low note (bass) level. When set to 0, the control is ineffective.
- 16 PHONES Jack**
For headphone listening. Connect the headphone plug to the jack.

III. DISASSEMBLY

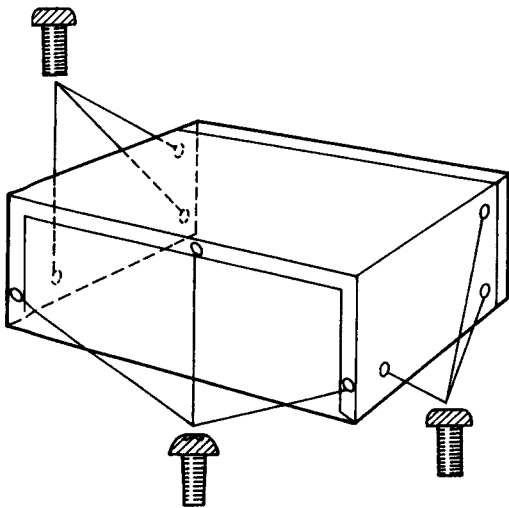
In case of trouble, etc, necessitating dismantling, please dismantle in the order shown in the illustrations. Reassemble in reverse order.

* Illustrations employed here are of model AM-65.

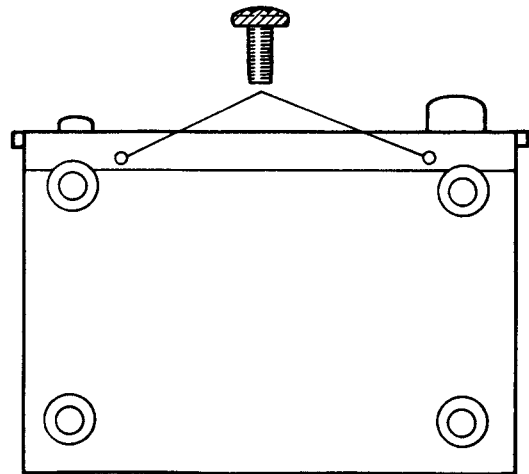
2. Removal of FRONT PANEL



1. Removal of UPPER COVER



3.



IV. PRINCIPAL PARTS LOCATION

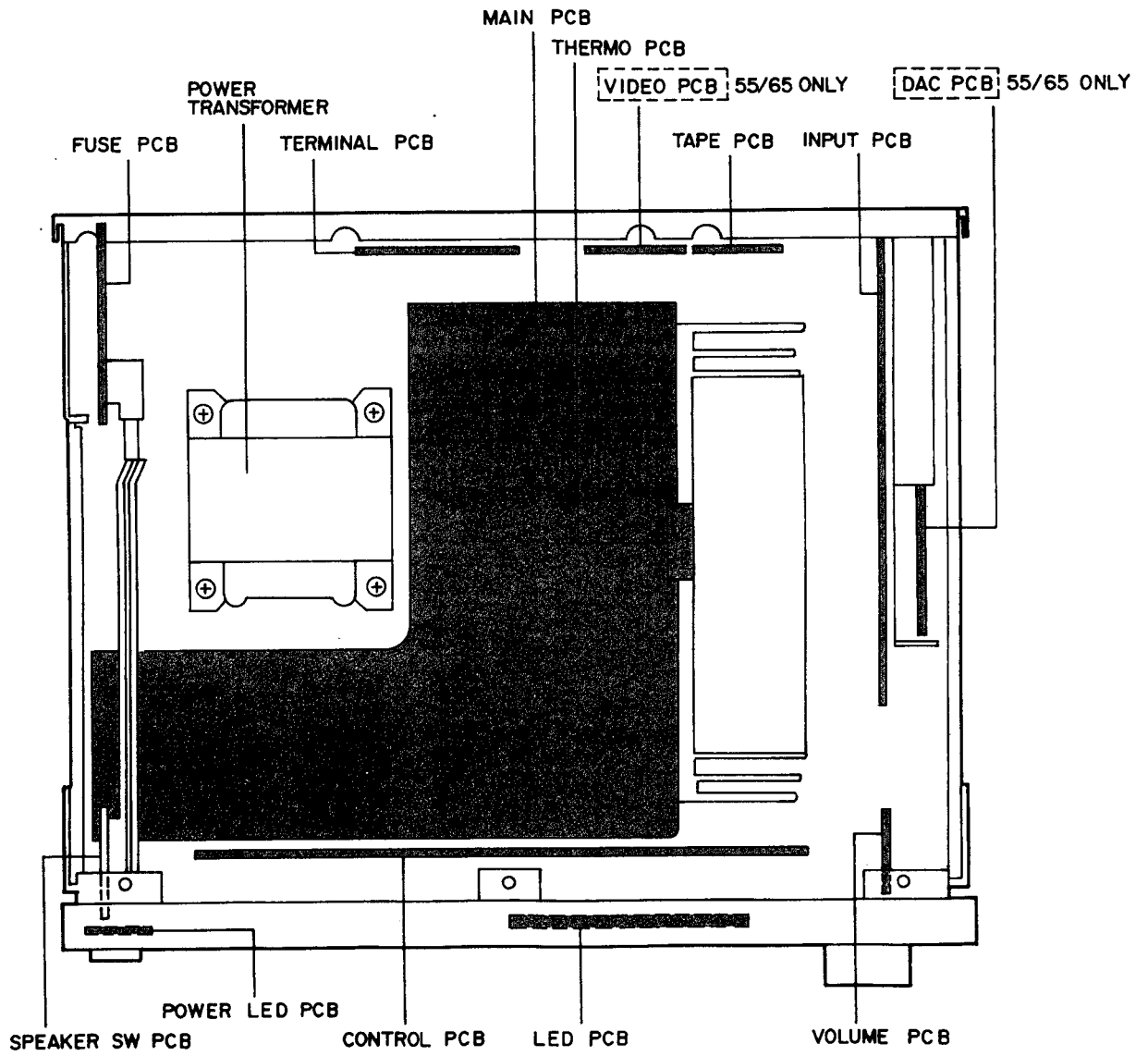


Fig. 4-1 Top view

V. PARTS LIST

ATTENTION

1. When placing an order for parts, be sure to list Part No., Model No. and the description of each part. Otherwise, there is a possibility of non-delivery of the part or the delivery of a wrong part may result.
2. Please make sure that Part No. is correct when ordering. If not, a part different from the one you ordered may be delivered.
3. Since the parts shown in Parts List of Preliminary Service Manual may have been the subject of changes, please use this Parts List for all future reference.

HOW TO USE THIS PARTS LIST

1. This Parts List lists those parts which are considered necessary for repairs. Other common parts, such as resistors and capacitors, are listed in the "Common List for Service Parts" from which these parts should be selected and stocked.
2. The Recommended Spare Parts List shows those parts in the Parts List which are considered particularly important for service.
3. Parts not shown in the Parts List and "Common List for Service Parts" will not in principle be supplied.
4. How to read the Parts List.

a) Mechanism Block

2. HEAD BASE BLOCK

REF. NO.	PART NO.	DESCRIPTION
1	BH-T2023A320A	HEAD BASE BLOCK
2	HP-H2206A010A	HEAD R/P PR4-8FU C
3	ZS-477876	PAN20×03STL CMT
4	ZS-536488	BID20×08STL CMT
5	ZG-402895	SP CS ANGLE ADJUST

SP (Service Parts) Classification

This number corresponds with the individual parts index number in that figure.

b) PC Board

6. MAIN PC BOARD

REF. NO.	PART NO.	DESCRIPTION
IC1	EI-324536	IC HD14049BP
IC2	EI-336801	IC MB8841-564M
C1A	EC-338399	C MMY V 223M 250AC [U,E,B,S]
C1B	EC-350949	C MMY V 223M 250DC [J]
C1C	EC-338397	C MMY V 223M 125AC [C,A]
X1	EI-318384	OSC X'TAL NC-18C

Symbols for primary destination

[A] : AAL (U.S.A) [S] : SAA (Australia)
 [B] : BEAB (England) [U] : U/T (Universal Area)
 [C] : CSA (Canada)
 [E] : CEE (Europe) [V] : VDE (W. Germany)
 [J] : JPN (Japan) [Y] : Custom Version

SP (Service Parts) Classification

These reference symbols correspond with component symbols in the Schematic Diagrams.

The available PC Board Blocks are listed separately.

5. When Part No. is known, Parts Index at end of Parts List can be used to locate where that part is shown in Parts List by its Reference No. listed at right of Part No.

WARNING

▲(●) INDICATES SAFETY CRITICAL COMPONENTS. FOR CONTINUED SAFETY, REPLACE SAFETY CRITICAL COMPONENTS ONLY WITH MANUFACTURE'S RECOMMENDED PARTS.

AVERTISSEMENT

▲(●) IL INDIQUE LES COMPOSANTS CRITIQUES DE SÉCURITÉ. POUR MAINTENIR LE DEGRÉ DE SÉCURITÉ DE L'APPAREIL, NE REMPLACER QUE DES PIÈCES RECOMMANDÉES PAR LE FABRICANT.

1. RECOMMENDED SPARE PARTS

We suggest you to stock the following Recommended Spare Part items listed below since they can cover most of the routine service.

Ref. No.	Part No.	Description	Ref. No.	Part No.	Description
1	*BT-391365J	TRANS POW A2061 BS [B,S] [AM-65]	43	*EF-309387	FUSE TSC A 250V 1.00A [U] [AM-65/55]
2	*BT-391363J	TRANS POW A2061 EV [E,V] [AM-65]	44	*EF-326639	FUSE TSC A 250V 3.15A [U] [AM-35]
3	*BT-391362J	TRANS POW A2061 U [U] [AM-65]	45	*EF-306952	FUSE TSC A 250V 4.00A [U] [AM-55]
4	*BT-391368J	TRANS POW A2062 BS [B,S] [AM-55]	46	*EF-326613	FUSE TSC A 250V 5.00A [U] [AM-65]
5	*BT-391367J	TRANS POW A2062 EV [E,V] [AM-55]	47	*EF-306124	FUSE TSC A 250V 630MA [U] [AM-35]
6	*BT-391366J	TRANS POW A2062 U [U] [AM-55]	48	*EF-309388	FUSE TSC A 250V 800MA [U]
7	*BT-391371J	TRANS POW A2063 BS [B,S] [AM-35]	49	EI-356656	IC LC4066
8	*BT-391370J	TRANS POW A2063 EV [E,V] [AM-35]	50	EI-349719	IC M5218P
9	*BT-391369J	TRANS POW A2063 U [U] [AM-35]	51	EI-344764	IC M5218P-21
10	BT-368261	TRANS PULSE TC-1027-04	52	EI-360043	IC M5220P
11	ED-390098J	D LED GL3KG43 GREEN [AM-65/55]	53	EI-362588	IC M5238P
12	ED-383034J	D LED SLR-54PC3F L,M GREEN	54	EI-360225	IC NJM5532D
13	*ED-379981J	D SILICON EG01LF-F4 F10 400/0.7A	55	EI-390065J	IC PCM58P
14	*ED-348990	D SILICON H DS446	56	EI-390064J	IC PD0036
15	ED-624903	D SILICON H 1S2473	57	EI-390063J	IC PD0037
16	*ED-384278J	D SILICON RBV602 200/6.0A	58	EI-360040J1	IC TC74HCU04AP
17	*ED-370990	D SILICON 1SR35-100AHS F10	59	EI-354080	IC UPC1237H
18	ED-346549	D ZENER H HZ11B1L	60	EQ-389205J	RELAY POW DH24D2-OT(M) 2NO 24V
19	ED-346558	D ZENER H HZ12B1L [AM-65/55]	61	ER-368226	R CT P R33+R33 5W
20	ED-346564	D ZENER H HZ15-1L [AM-35]	62	*ES-355407	SW PUSH ESB-99713V TV-8 [U] [AM-65][POMER]
21	ED-346567	D ZENER H HZ16-1L	63	*ES-361970	SW PUSH SDDL1B1 01-1 [EXCEPT AM-65U][POWER]
22	ED-346570	D ZENER H HZ18-3L [AM-65/55]	64	ES-390091J	SW PUSH SPEC21 2THROW N [AM-65/55][DEGITOL 1/2]
23	ED-346571	D ZENER H HZ20-1L	65	ES-390094J	SW PUSH SPEC21 2THROW S [AM-65/55][MODE/MUTING]
24	ED-346576	D ZENER H HZ24-1L	66	ES-390092J	SW PUSH SPEC41 4THROW N [INPUT SELECTOR]
25	ED-346583	D ZENER H HZ30-3L	67	ES-390093J	SW PUSH SPEC41 4THROW N [TAPE SELECTOR]
26	ED-331197	D ZENER H HZ6 C1 [U,E,B,S]	68	ES-390103J	SW ROTARY SRRZU4 04-02N [DIRECT SELECTOR]
27	ED-346525	D ZENER H HZ6A3L	69	ES-390090J	SW ROTARY SRRZU6 06-06N [REC SELECTOR]
28	ED-307752	D ZENER H HZ6B2L [AM-65/55]	70	*ES-349070	SW SELECTOR YKS11-0002 02-4 [U] [SW-901 BOLEGE SELECTOR]
29	*EF-355226	FUSE BET T 250V 1.00A [B] [AM-65]	71	ET-356336	TR DTA114ES
30	*EF-364518	FUSE BET T 250V 2.50A [B] [AM-35]	72	ET-354365	TR DTC114YS [AM-65/55]
31	*EF-359225	FUSE BET T 250V 3.15A [B] [AM-55]	73	ET-354414	TR DTC144ES
32	*EF-359086	FUSE BET T 250V 4.00A [B] [AM-65]	74	ET-370310	TR DTC144TS [U,E,B,S]
33	*EF-355374	FUSE BET T 250V 500MA [B] [AM-55/35]	75	ET-354897	TR FET 2SK170 BL,GR,V
34	*EF-358974	FUSE BET T 250V 630MA [B] [AM-65]	76	ET-359827	TR FET 2SK246 BL
35	*EF-358641	FUSE BET T 250V 800MA [B] [AM-55]	77	*ET-345626	TR 2SA1248 S,T
36	*EF-623103	FUSE SEMKO T 250V 1.00A [E,V,S] [AM-65]	78	ET-353899	TR 2SA1317 S,T,U [U,E,B,S]
37	*EF-623125	FUSE SEMKO T 250V 2.50A [E,V,S] [AM-35]	79	ET-352726	TR 2SA1392 T,U
38	*EF-691007	FUSE SEMKO T 250V 3.15A [E,V,S] [AM-55]	80	*ET-390074J	TR 2SA1491 P,Y LF109 [AM-35]
39	*EF-690996	FUSE SEMKO T 250V 4.00A [E,V,S] [AM-65]	81	*ET-390075J	TR 2SA1492 P,Y LF109 [AM-55]
40	*EF-593706	FUSE SEMKO T 250V 500MA [E,V,S] [AM-55/35]	82	*ET-390076J	TR 2SA1493 P,Y LF203 [AM-65]
41	*EF-601942	FUSE SEMKO T 250V 630MA [E,V,S] [AM-65]	83	ET-305463	TR 2SA970 GR,BL
42	*EF-258344	FUSE SEMKO T 250V 800MA [E,V,S] [AM-55]	84	*ET-366365	TR 2SB1185 E,F
			85	ET-307195	TR 2SC2240 GR,BL
			86	ET-348830	TR 2SC2909 S,T
			87	ET-370038	TR 2SC2910 S,T
			88	*ET-345625	TR 2SC3116 S,T
			89	ET-378524J	TR 2SC3383 S,T,U
			90	*ET-390070J	TR 2SC3855 P,Y LF109 [AM-35]
			91	*ET-390072J	TR 2SC3856 P,Y LF109 [AM-55]
			92	*ET-390073J	TR 2SC3857 P,Y LF203 [AM-65]
			93	*ET-366581	TR 2SD1762 E,F
			94	EV-390080J	SW PUSH SPUL22 2THROW N [SPEAKER SELECTOR]

Ref. No.	Part No.	Description
95	EV-390081J	VR ROTARY RK1631110 SPLW254 [BALANCE]
96	EV-390083J	VR ROTARY RK16312AO A104X2 [MAIN VOLUME]
97	EV-390095J	VR ROTARY RK1631220 A104X2 [TREBLE]

2. P.C BOARD BLOCK

Ref. No.	Part No.	Description
1A	BA-A2061C020A	PC(#) MAIN AMP BLK AM-65(U) [U] [AM-65]
1B	BA-A2061C020B	PC(#) MAIN AMP BLK AM-65(E) [E,B,S] [AM-65]
1C	BA-A2061A020C	PC(#) MAIN AMP BLK AM-65(V) [V] [AM-65]
1D	BA-A2061C020D	PC(#) MAIN AMP BLK AM-55(U) [U] [AM-55]
1E	BA-A2061C020E	PC(#) MAIN AMP BLK AM-55(E) [E,B,S] [AM-55]
1F	BA-A2061A020F	PC(#) MAIN AMP BLK AM-55(V) [V] [AM-55]
1G	BA-A2061C020G	PC(#) MAIN AMP BLK AM-35(U) [U] [AM-35]
1H	BA-A2061C020H	PC(#) MAIN AMP BLK AM-35(E) [E,B,S] [AM-35]
1J	BA-A2061A020J	PC(#) MAIN AMP BLK AM-35(V) [V] [AM-35]
2A	BA-A2061C030A	PC(#) CONTROL BLK AM-65(U) [U,E,B,S] [AM-65/55]
2B	BA-A2061A030B	PC(#) CONTROL BLK AM-65(V) [V] [AM-65/55]
2C	BA-A2061C030C	PC(#) CONTROL BLK AM-35(U) [U,E,B,S] [AM-35]
2D	BA-A2061A030D	PC(#) CONTROL BLK AM-35(V) [V] [AM-35]
3	BA-A2061A040A	PC DAC BLK [AM-65/55]

PC (#) MAIN AMP BLK CONSISTS OF FOLLOWING P.C BOARD.

- * MAIN AMP P.C BOARD
- * FUSE P.C BOARD
- * TERMINAL P.C BOARD
- * SPEAKER SW P.C BOARD
- * VOLUME P.C BOARD
- * THERMO P.C BOARD
- * VIDEO P.C BOARD

PC (#) CONTROL BLK CONSISTS OF FOLLOWING P.C BOARD.

- * CONTROL P.C BOARD
- * INPUT P.C BOARD
- * LED P.C BOARD
- * TAPE P.C BOARD
- * POWER LED P.C BOARD

3. MAIN AMP P.C BOARD

Ref. No.	Part No.	Description
C1A	EC-382350J	C EC V S10 822M 63.0DC [AM-65]
C1B	EC-390067J	C EC V S10 822M 56.0DC [AM-55]
C1C	EC-390066J	C EC V S10 682M 50.0DC [AM-35]
C2A	EC-382350J	C EC V S10 822M 63.0DC [AM-65]
C2B	EC-390067J	C EC V S10 822M 56.0DC [AM-55]
C2C	EC-390066J	C EC V S10 682M 50.0DC [AM-35]
C3	EC-389170J	C MMY V F12 MMHF 473K 400DC
C4	EC-201643	C EC V CUT AS1 471M 80.0DC
C5	EC-201643	C EC V CUT AS1 471M 80.0DC
C6	EC-367048	C EC V CUT SME 101M 63.0DC
C7	EC-367048	C EC V CUT SME 101M 63.0DC
C8	EC-365360	C EC V CUT SME 471M 25.0DC
C9	EC-365360	C EC V CUT SME 471M 25.0DC
C12	EC-365360	C EC V CUT SME 471M 25.0DC [AM-65/55]
C13	EC-365360	C EC V CUT SME 471M 25.0DC [AM-65/55]
C16	EC-365360	C EC V CUT SME 471M 25.0DC
C19	EC-377960	C PP V F05 CSF3 101J 125DC
D1	*ED-384278J	D SILICON RBV602 200/6.0A
D2	*ED-379981J	D SILICON EG01LF-F4 F10 400/0.7A
D3	*ED-379981J	D SILICON EG01LF-F4 F10 400/0.7A
D4	ED-383034J	D LED SLR-54PC3F L,M GREEN
D5	ED-383034J	D LED SLR-54PC3F L,M GREEN
D6	ED-346583	D ZENER H HZ30-3L
D7A	ED-346570	D ZENER H HZ18-3L [AM-65/55]
D7B	ED-346564	D ZENER H HZ15-1L [AM-35]
D8	ED-346583	D ZENER H HZ30-3L
D9A	ED-346570	D ZENER H HZ18-3L [AM-65/55]
D9B	ED-346564	D ZENER H HZ15-1L [AM-35]
D10	ED-346576	D ZENER H HZ24-1L
D11	ED-346576	D ZENER H HZ24-1L
D12	*ED-370990	D SILICON 1SR35-100AHS F10
D13	*ED-370990	D SILICON 1SR35-100AHS F10
D14	ED-346567	D ZENER H HZ16-1L
D15	ED-346567	D ZENER H HZ16-1L
D16	*ED-370990	D SILICON 1SR35-100AHS F10 [AM-65/55]
D17	*ED-370990	D SILICON 1SR35-100AHS F10 [AM-65/55]
D18	ED-346558	D ZENER H HZ12B1L [AM-65/55]
D19	ED-346558	D ZENER H HZ12B1L [AM-65/55]
D20	*ED-370990	D SILICON 1SR35-100AHS F10
D21	ED-346558	D ZENER H HZ12B1L
D22	ED-307752	D ZENER H HZ6B2L [AM-65/55]
D23	ED-346549	D ZENER H HZ11B1L
D24	ED-346571	D ZENER H HZ20-1L
D25	ED-346571	D ZENER H HZ20-1L
D26	ED-624903	D SILICON H 1S2473
D27	ED-624903	D SILICON H 1S2473
D28	ED-624903	D SILICON H 1S2473
D29	ED-383034J	D LED SLR-54PC3F L,M GREEN
D32	ED-624903	D SILICON H 1S2473
D33	ED-624903	D SILICON H 1S2473
D34	ED-624903	D SILICON H 1S2473
D35	ED-624903	D SILICON H 1S2473
D36	*ED-348990	D SILICON H DS446
D37	ED-624903	D SILICON H 1S2473
D38	ED-624903	D SILICON H 1S2473
D39	ED-624903	D SILICON H 1S2473 [AM-65/55]

Ref. No.	Part No.	Description
D40	ED-624903	D SILICON H 1S2473 [AM-65/55]
D41	ED-624903	D SILICON H 1S2473
D42	ED-624903	D SILICON H 1S2473 [AM-65/55]
FR1	*ER-341493	R FUSE H S10 ERD2FC 1/4W 1001G
FR2	*ER-338000	R FUSE H S10 ERD2FC 1/4W 2200G
FR3	*ER-338000	R FUSE H S10 ERD2FC 1/4W 2200G
IC1	EI-354080	IC UPC1237H
IC2	EI-349719	IC M5218P
L1	EO-337880	COIL FIX 2 202AK-018 2R2K
RL1	EQ-389205J	RELAY POW DH24D2-OT(M) 2NO 24V
R3	ER-324185	R CB H S10 FS RDS 1/4W 221J
R4	ER-324185	R CB H S10 FS RDS 1/4W 221J
R5	ER-389922J	R OMF H S15 FS 2W 392J
R6	ER-389922J	R OMF H S15 FS 2W 392J
R7	ER-389203J	R CB H S10 FS RDS 1/4W 4R7J
R8	ER-389203J	R CB H S10 FS RDS 1/4W 4R7J
R9	ER-389203J	R CB H S10 FS RDS 1/4W 4R7J [AM-65/55]
R10	ER-389203J	R CB H S10 FS RDS 1/4W 4R7J [AM-65/55]
R11	ER-378846J	R CB H S10 FS RDS 1/4W 102J
R12	ER-390108J	R CB H S10 FS RDS 1/4W 182J [AM-65/55]
R18	ER-318400	R CB H S10 FS RDS 1/4W 680J
R19	ER-318400	R CB H S10 FS RDS 1/4W 680J
R24	ER-378846J	R CB H S10 FS RDS 1/4W 102J
R31	ER-318400	R CB H S10 FS RDS 1/4W 680J
R32	ER-318400	R CB H S10 FS RDS 1/4W 680J
R33	ER-382603J	R CB H S10 FS RDS 1/4W 471J
R34	ER-382603J	R CB H S10 FS RDS 1/4W 471J
R37	ER-333372	R CB H S10 FS RDS 1/4W 150J
R38	ER-333372	R CB H S10 FS RDS 1/4W 150J
R39	ER-368226	R CT P R33+R33 5W
R44	ER-333023	R OMF H S20 FS 2W 100J
R45	ER-333023	R OMF H S20 FS 2W 100J
R46A	ER-390107J	R OMF H S15 FS 2W 152J [AM-65]
R46B	ER-390106J	R OMF H S15 FS 2W 132J [AM-55]
R46C	ER-333034	R OMF H S20 FS 2W 122J [AM-35]
R62	*ER-318400	R CB H S10 FS RDS 1/4W 680J
R63	*ER-318400	R CB H S10 FS RDS 1/4W 680J
TR1	ET-352726	TR 2SA1392 T,U
TR2	ET-378524J	TR 2SC3383 S,T,U
TR3	*ET-345625	TR 2SC3116 S,T
TR4	*ET-345626	TR 2SA1248 S,T
TR5	ET-359827	TR FET 2SK246 BL
TR6	ET-359827	TR FET 2SK246 BL
TR7	*ET-366581	TR 2SD1762 E,F
TR8	*ET-366365	TR 2SB1185 E,F
TR9	ET-359827	TR FET 2SK246 BL [AM-65/55]
TR10	ET-359827	TR FET 2SK246 BL [AM-65/55]
TR11	*ET-366581	TR 2SD1762 E,F [AM-65/55]
TR12	*ET-366365	TR 2SB1185 E,F [AM-65/55]
TR13	*ET-366581	TR 2SD1762 E,F
TR14	*ET-366581	TR 2SD1762 E,F [AM-65/55]
TR15	ET-348830	TR 2SC2909 S,T
TR16	ET-354897	TR FET 2SK170 BL,GR,V
TR17	ET-348830	TR 2SC2909 S,T
TR18	ET-354897	TR FET 2SK170 BL,GR,V
TR19	ET-305463	TR 2SA970 GR,BL
TR20	*ET-305463	TR 2SA970 GR,BL
TR21	*ET-305463	TR 2SA970 GR,BL
TR22	ET-305463	TR 2SA970 GR,BL
TR23	ET-370038	TR 2SC2910 S,T
TR24	ET-370038	TR 2SC2910 S,T
TR25	ET-370038	TR 2SC2910 S,T
TR26	ET-345625	TR 2SC3116 S,T
TR27	ET-345626	TR 2SA1248 S,T

Ref. No.	Part No.	Description
TR28	*ET-345625	TR 2SC3116 S,T
TR29	*ET-345626	TR 2SA1248 S,T
TR30A	*ET-390073J	TR 2SC3857 P,Y LF203 [AM-65]
TR30B	*ET-390072J	TR 2SC3856 P,Y LF109 [AM-55]
TR30C	*ET-390070J	TR 2SC3855 P,Y LF109 [AM-35]
TR31A	*ET-390076J	TR 2SA1493 P,Y LF203 [AM-65]
TR31B	*ET-390075J	TR 2SA1492 P,Y LF109 [AM-55]
TR31C	*ET-390074J	TR 2SA1491 P,Y LF109 [AM-35]
TR32	ET-307195	TR 2SC2240 GR,BL
TR33	ET-305463	TR 2SA970 GR,BL
F3A	*EF-309388	FUSE TSC A 250V 800MA [U]
F3B	*EF-601942	FUSE SEMKO T 250V 630MA [E,V,S] [AM-65]
F3C	*EF-593706	FUSE SEMKO T 250V 500MA [E,V,S] [AM-55/35]
F3D	*EF-358974	FUSE BET T 250V 630MA [B] [AM-65]
F3E	*EF-355374	FUSE BET T 250V 500MA [B] [AM-55/35]
F4A	*EF-309388	FUSE TSC A 250V 800MA [U]
F4B	*EF-601942	FUSE SEMKO T 250V 630MA [E,V,S] [AM-65]
F4C	*EF-593706	FUSE SEMKO T 250V 500MA [E,V,S] [AM-55/35]
F4D	*EF-358974	FUSE BET T 250V 630MA [B] [AM-65]
F4E	*EF-355374	FUSE BET T 250V 500MA [B] [AM-55/35]
F5A	*EF-309388	FUSE TSC A 250V 800MA [U]
F5B	*EF-601942	FUSE SEMKO T 250V 630MA [E,V,S] [AM-65]
F5C	*EF-593706	FUSE SEMKO T 250V 500MA [E,V,S] [AM-55/35]
F5D	*EF-358974	FUSE BET T 250V 630MA [B] [AM-65]
F5E	*EF-355374	FUSE BET T 250V 500MA [B] [AM-55/35]
F6A	*EF-309387	FUSE TSC A 250V 1.00A [U] [AM-65/55]
F6B	*EF-306124	FUSE TSC A 250V 630MA [U] [AM-35]
F6C	*EF-623103	FUSE SEMKO T 250V 1.00A [E,V,S] [AM-65]
F6D	*EF-258344	FUSE SEMKO T 250V 800MA [E,V,S] [AM-55]
F6E	*EF-593706	FUSE SEMKO T 250V 500MA [E,V,S] [AM-35]
F6F	*EF-355226	FUSE BET T 250V 1.00A [B] [AM-65]
F6G	*EF-358641	FUSE BET T 250V 800MA [B] [AM-55]
F6H	*EF-355374	FUSE BET T 250V 500MA [B] [AM-35]

4. FUSE P.C BOARD

Ref. No.	Part No.	Description
C101A	*EC-320548	C CE V F 103Z 250AC [U]
C101B	*EC-338496	C CE V DE7 FZ 472P 400AC [E,V,S,B]
J101	*EJ-390077J	SOCKET OUT S2T-748T-200 3X2P [U]
L101	*EO-337880	COIL FIX 2 202AK-018 2R2K [V]
L102	*EO-337880	COIL FIX 2 202AK-018 2R2K [V]
SW101A	*ES-355407	SW PUSH ESB-99713V TV-8 [U] [AM-65][POMER]
SW101B	*ES-361970	SW PUSH SDDL B1 01-1 [EXCEPT AM-65U][POWER]
F1A	*EF-326613	FUSE TSC A 250V 5.00A [U] [AM-65]
F1B	*EF-306952	FUSE TSC A 250V 4.00A [U] [AM-55]
F1C	*EF-326639	FUSE TSC A 250V 3.15A [U] [AM-35]
F1D	*EF-690996	FUSE SEMKO T 250V 4.00A [E,V,S] [AM-65]
F1E	*EF-691007	FUSE SEMKO T 250V 3.15A [E,V,S] [AM-55]
F1F	*EF-623125	FUSE SEMKO T 250V 2.50A [E,V,S] [AM-35]
F1G	*EF-359086	FUSE BET T 250V 4.00A [B] [AM-65]
F1H	*EF-359225	FUSE BET T 250V 3.15A [B] [AM-55]
F1J	*EF-364518	FUSE BET T 250V 2.50A [B] [AM-35]
F2A	*EF-326613	FUSE TSC A 250V 5.00A [U] [AM-65]
F2B	*EF-306952	FUSE TSC A 250V 4.00A [U] [AM-55]
F2C	*EF-326639	FUSE TSC A 250V 3.15A [U] [AM-35]

5. TERMINAL P.C BOARD

Ref. No.	Part No.	Description
TM201	EJ-390078J	TERMINAL W/SCREW LTS0810-1001 [SPEAKER TERMINAL]

6. SPEAKER SW P.C BOARD

Ref. No.	Part No.	Description
J301	EJ-391132J	PHONE J 3P YKB24-5162 GP 6.3 [PHONES]
R301	ER-333108	R OMF H S20 FS 2W 471J
SW301	EV-390080J	SW PUSH SPUL22 2THROW N [SPEAKER SELECTOR]

7. VOLUME P.C BOARD

Ref. No.	Part No.	Description
VR401	EV-390081J	VR ROTARY RK1631110 SPLW254 [BALANCE]
VR402	EV-390083J	VR ROTARY RK16312AO A104X2 [MAIN VOLUME]

8. THERMO P.C BOARD

Ref. No.	Part No.	Description
TR501	*ET-345625	TR 2SC3116 S,T
TR501	*ET-345626	TR 2SA1248 S,T

9. VIDEO P.C BOARD (AM-65/55)

Ref. No.	Part No.	Description
D601	ED-331197	D ZENER H HZ6 C1 [U,E,B,S]
IC601	EI-356656	IC LC4066
J601	EJ-390085J	PIN J T6416-BAAA YL 2P [VCR 1]
J602	EJ-390084J	PIN J T6135-BAAA YL 3P [VCR 2/MONITOR]
TR601	ET-353899	TR 2SA1317 S,T,U [U,E,B,S]
TR602	ET-353899	TR 2SA1317 S,T,U [U,E,B,S]
TR603	ET-353899	TR 2SA1317 S,T,U [U,E,B,S]
TR604	ET-370310	TR DTC144TS [U,E,B,S]
TR605	ET-370310	TR DTC144TS [U,E,B,S]

10. CONTROL P.C BOARD

Ref. No.	Part No.	Description
IC1	EI-360043	IC M5220P
SW1	ES-390103J	SW ROTARY SRRZU4 04-02N [DIRECT SELECTOR]
SW2	ES-390090J	SW ROTARY SRRZU6 06-06N [REC SELECTOR]
SW3	ES-390091J	SW PUSH SPEC21 2THROW N [AM-65/55][DEGITOL 1/2]
SW4	ES-390092J	SW PUSH SPEC41 4THROW N [INPUT SELECTOR]
SW5	ES-390093J	SW PUSH SPEC41 4THROW N [TAPE SELECTOR]
SW6	ES-390094J	SW PUSH SPEC21 2THROW S [AM-65/55][MODE/MUTING]
TR1	ET-354365	TR DTC114YS [AM-65/55]
VR1	EV-390095J	VR ROTARY RK1631220 A104X2 [TREBLE]
VR2	EV-390095J	VR ROTARY RK1631220 A104X2 [BASS]

11. INPUT P.C BOARD

Ref. No.	Part No.	Description
FR101	*ER-344161	R FUSE H S10 ERD2FC 1/4W 82R0G
FR102	*ER-344161	R FUSE H S10 ERD2FC 1/4W 82R0G
IC101	EI-344764	IC M5218P-21
J101A	EJ-390096J	PIN J YKC21-0023B 6P [AM-65/55][PHONO/TUNER/CD]
J101B	EJ-390097J	PIN J YKC21-0015B 4P [AM-35][PHONO/TUNER]
J102	EJ-390097J	PIN J YKC21-0015B 4P [AM-65/55][PROSESSOR]
J103	EJ-390097J	PIN J YKC21-0015B 4P [AM-35][CD/AUX]

12. LED P.C BOARD

Ref. No.	Part No.	Description
D201	ED-390098J	D LED GL3KG43 GREEN [AM-65/55]
D202	ED-390098J	D LED GL3KG43 GREEN [AM-65/55]
D203	ED-390098J	D LED GL3KG43 GREEN [AM-65/55]
D204	ED-390098J	D LED GL3KG43 GREEN
D205	ED-390098J	D LED GL3KG43 GREEN
D206	ED-390098J	D LED GL3KG43 GREEN
D207	ED-390098J	D LED GL3KG43 GREEN [AM-65/55]
D208	ED-390098J	D LED GL3KG43 GREEN [AM-65/55]
D209	ED-390098J	D LED GL3KG43 GREEN
D210	ED-390098J	D LED GL3KG43 GREEN
D211	ED-390098J	D LED GL3KG43 GREEN
D212	ED-390098J	D LED GL3KG43 GREEN

13. TAPE P.C BOARD

Ref. No.	Part No.	Description
J301	EJ-390102J	PIN J YKC21-0045A 6P [TAPE REC]
J302	EJ-390102J	PIN J YKC21-0045A 6P [TAPE PB]

14. POWER LED P.C BOARD

Ref. No.	Part No.	Description
D401	ED-390098J	D LED GL3KG43 GREEN
D402	ED-390098J	D LED GL3KG43 GREEN

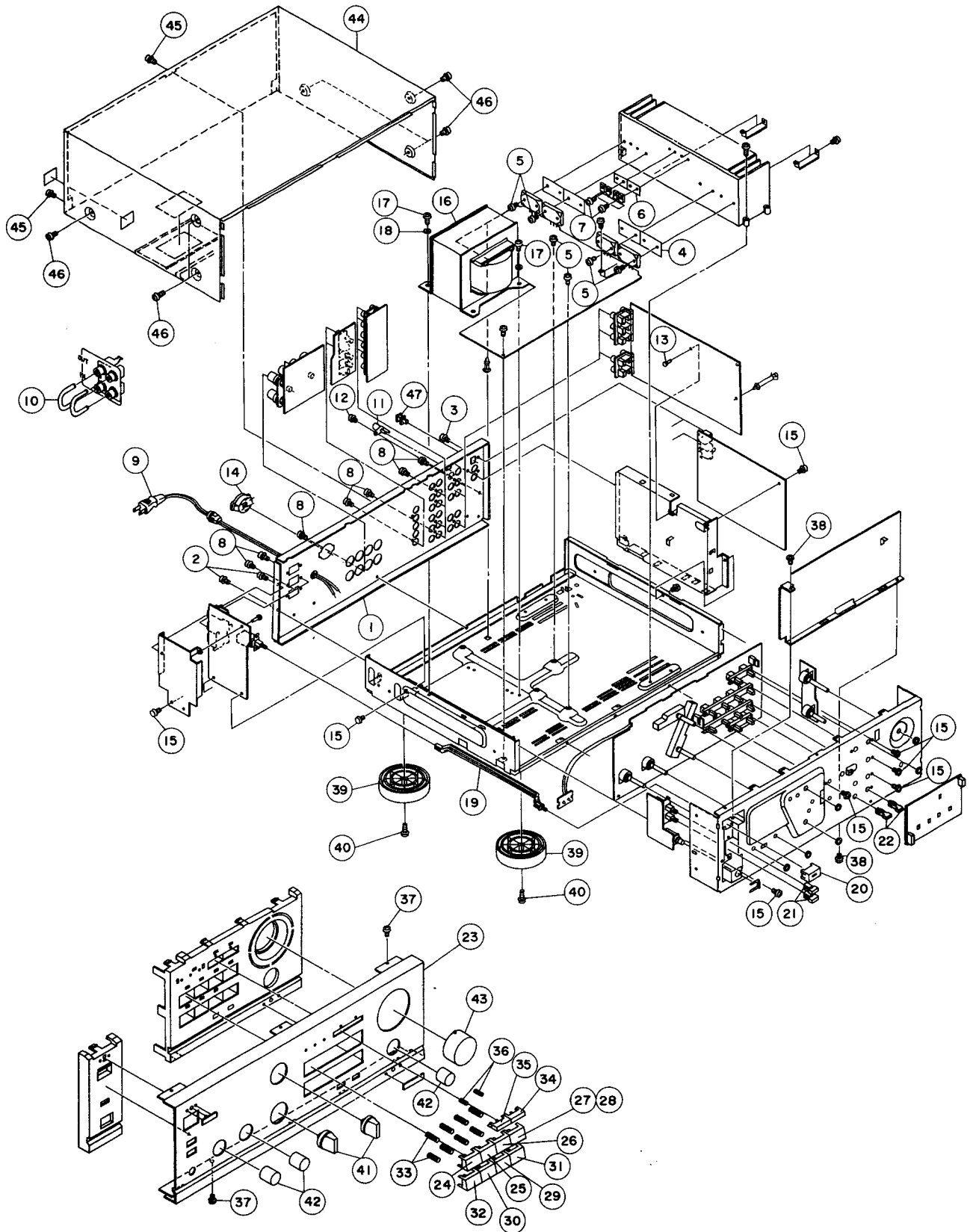
15. DAC P.C BOARD (AM-65/55)

Ref. No.	Part No.	Description
D1	ED-624903	D SILICON H 1S2473
D2	ED-624903	D SILICON H 1S2473
D3	ED-346525	D ZENER H HZ6A3L
IC1	EI-360040J1	IC TC74HCU04AP
IC2	EI-390063J	IC PD0037
IC3	EI-390064J	IC PD0036
IC4	EI-390065J	IC PCM58P
IC5	EI-362588	IC M5238P
IC6	EI-360225	IC NJM5532D
J1	EJ-385272J	SOCKET OPTICAL TORX174 [DEGITAL 1]
J2	EJ-390086J	PIN J T6180-BAAA ORANGE 2P [DEGITAL 2]
L1	EO-345909	COIL FIX 1 LAL03KH 4R7K
L2	EO-345909	COIL FIX 1 LAL03KH 4R7K
R36	ER-382614J	R CB H S10 FS RDS 1/4W 2R2J
TR1	ET-370038	TR 2SC2910 S,T
TR2	ET-378524J	TR 2SC3383 S,T,U
TR3	ET-378524J	TR 2SC3383 S,T,U
TR4	ET-354414	TR DTC144ES
TR5	ET-356336	TR DTA114ES
TR6	ET-354414	TR DTC144ES
TR7	ET-356336	TR DTA114ES
T1	BT-368261	TRANS PULSE TC-1027-04

16. FINAL ASSEMBLY BLOCK

Ref. No.	Part No.	Description	Ref. No.	Part No.	Description
1A	SP-391333J	PANEL REAR AM-65(U) [U] [AM-65]	21-B	SK-373242B	KNOB MODE-BLACK
1B	SP-391334J	PANEL REAR AM-65(E) [E] [AM-65]	21-G	SK-373242A	KNOB MODE-GOLD
1C	SP-391335J	PANEL REAR AM-65(V) [V] [AM-65]	22-B	SK-384004J	KNOB PUSH
1D	SP-391336J	PANEL REAR AM-65(B,S) [B,S] [AM-65]	22-G	SK-390820J	KNOB PUSH G
1E	SP-391328J	PANEL REAR AM-55(U) [U] [AM-55]	23A-B	BD-A2061C050A	PANEL FRONT BLK AM-65-B(U) [U,E,B,S] [AM-65]
1F	SP-391329J	PANEL REAR AM-55(E) [E] [AM-55]	23B-B	BD-A2061A050B	PANEL FRONT BLK AM-65-B(V) [V] [AM-65]
1G	SP-391330J	PANEL REAR AM-55(V) [V] [AM-55]	23B-G	BD-A2061A050C	PANEL FRONT BLK AM-65-G [AM-65]
1H	SP-391332J	PANEL REAR AM-55(B,S) [B,S] [AM-55]	23C-B	BD-A2061C050D	PANEL FRONT BLK AM-55-B(U) [U,E,B,S] [AM-55]
1J	SP-391325J	PANEL REAR AM-35(U) [U] [AM-35]	23D-B	BD-A2061A050E	PANEL FRONT BLK AM-55-B(V) [V] [AM-55]
1K	SP-391326J	PANEL REAR AM-35(E,V) [E,V] [AM-35]	23D-G	BD-A2061A050F	PANEL FRONT BLK AM-55-G [AM-55]
1L	SP-391327J	PANEL REAR AM-35(B,S) [B,S] [AM-35]	23E-B	BD-A2061A050G	PANEL FRONT BLK AM-35-B [AM-35]
2	ZS-378722J	ST BR30X06STL BNI EARTH LOCK	23E-G	BD-A2061C050H	PANEL FRONT BLK AM-35-G [AM-35]
3	ZS-359226	T2BR30X10STL BZN [AM-65/55]	24-B	SB-391337J	BUTTON TUNER
4A	EZ-391372J	TR SUPPORT BFG-20AD TO-3P2 E2 [AM-65]	24-G	SB-390790J	BUTTON TUNER G
4B	EZ-387958J	TR SUPPORT BFG-20AD TO-3P [AM-55/35]	25-B	SB-391338J	BUTTON PHONO
5A	ZS-336629	BT BID30X14STL BNI [AM-65]	25-G	SB-390792J	BUTTON PHONO G
5B	ZS-354991	BT BR30X10STL CMT [AM-55/33]	26-B	SB-391339J	BUTTON CD
6	EZ-380254J	TRANSISTOR SUPPORT *****	26-G	SB-390793J	BUTTON CD G
7	ZS-354991	BT BR30X10STL CMT	27-B	SB-391340J	BUTTON D/A [AM-65/55]
8	ZS-359226	T2BR30X10STL BZN	27-G	SB-390794J	BUTTON D/A G [AM-65/55]
9A	*EW-363657	AC CORD200 0129AVFF B150 A U/T [U]	28-B	SB-391341J	BUTTON AUX [AM-35]
9B	*EW-363670	AC CORD200 0364 LCFL B150 A FV [E,V]	28-G	SB-390795J	BUTTON AUX G [AM-35]
9C	*EW-363682	AC CORD200 LCFL B150 A B [B]	29A-B	SB-391344J	BUTTON VCR1 [AM-65/55 U,E,B,S]
9D	*EW-363696	AC CORD200 0436 LCFL B150 A S [S]	29B-B	SB-391347J	BUTTON TAPE1 [EXCEPT AM-65/55 U,E,B,S]
10	EJ-348218	PLUG SHORT PIN P2138 [AM-65/55]	29B-G	SB-390801J	BUTTON TAPE1 G
11	EJ-329610	TERMINAL W/SCREW UB-0067 L 1P	30A-B	SB-391345J	BUTTON VCR2 [AM-65/55 U,E,B,S]
12	ZS-378722J	ST BR30X06STL BNI EARTH LOCK	30B-B	SB-391348J	BUTTON TAPE2 [EXCEPT AM-65/55 U,E,B,S]
13	ZW-698308	RV NYL30X055 BL	30B-G	SB-390803J	BUTTON TAPE2 G
14	*ES-349070	SW SELECTOR YKS11-0002 02-4 [U] [SW-901 BOLEGE SELECTOR]	31-B	SB-391346J	BUTTON TAPE
15	ZS-320906	ST BR30X06STL CMT	31-G	SB-390799J	BUTTON TAPE G
16A	*8T-391362J	TRANS POW A2061 U [U] [AM-65]	32-B	SB-391349J	BUTTON TAPE3
16B	*8T-391363J	TRANS POW A2061 EV [E,V] [AM-65]	32-G	SB-390804J	BUTTON TAPE3 G
16C	*8T-391365J	TRANS POW A2061 BS [B,S] [AM-65]	33	ZG-391846J	SP PUSH BUTTON
16D	*8T-391366J	TRANS POW A2062 U [U] [AM-55]	34-B	SB-391305J	BUTTON DIGITAL(1) [AM-65/55]
16E	*8T-391367J	TRANS POW A2062 EV [E,V] [AM-55]	34-G	SB-390805J	BUTTON DIGITAL(1) G [AM-65/55]
16F	*8T-391368J	TRANS POW A2062 BS [B,S] [AM-55]	35-B	SB-391306J	BUTTON DIGITAL(2) [AM-65/55]
16G	*8T-391369J	TRANS POW A2063 U [U] [AM-35]	35-G	SB-390806J	BUTTON DIGITAL(2) G [AM-65/55]
16H	*8T-391370J	TRANS POW A2063 EV [E,V] [AM-35]	36	ZG-313162	SP C-02.5/0.29-10.0 C-010 [AM-65/55]
16J	*8T-391371J	TRANS POW A2063 BS [B,S] [AM-35]	37	ZS-387983J	ST BID30X08STL BNI EARTH LOCK
17	ZS-346742	ST BID40X08STL CMT CUP	38	ZS-320906	ST BR30X06STL CMT
18	ZW-274026	SW50	39A	SA-384105J	FOOT ROUND SHAPED(N) [AM-65]
19	MZ-370925	JOINT POWER	39B	SA-379375	FOOT(N) [AM-55/35]
20-B	SK-373236B	KNOB POWER-B	40A	ZS-304021	ST BID40X12STL CMT [AM-65]
20-G	SK-373236A	KNOB POWER-G	40B	ZS-354055	ST BR30X12STL CMT [AM-55/35]
			41-B	SK-391308J	KNOB SELECTOR
			41-G	SK-390789J	KNOB SELECTOR G
			42-B	SK-375362	KNOB BALANCE
			42-G	SK-390814J	KNOB BALANCE G
			43A-B	SK-391392J	KNOB VR(2)PART [EXCEPT AM-55/35 U,E,B,S]
			43A-G	SK-390816J	KNOB VR(2) G PART
			43B-B	SK-391394J	KNOB VR(2)PART [AM-55/35 U,E,B,S]

FINAL ASSEMBLY BLOCK



Ref. No.	Part No.	Description
44-B	SP-391360J	COVER UPPER B
44-G	SP-390812J	COVER UPPER G
45	ZS-378722J	ST BR30X06STL BNI EARTH LOCK
46-B	ZS-341960	ST BID40X06STL BNI
46-G	ZS-341959	ST BID40X06STL NI3
47	SZ-725384J	CAP OPTIONAL PROTECTOR

NOTE:

Parts will not be supplied if they are not listed in the parts list, even if they appear on the assembling illustrations with reference No.

PARTS LIST

INDEX

Part No.	Ref. No.	Part No.	Ref. No.	Part No.	Ref. No.	Part No.	Ref. No.
BA-A2061A020C	2-1C	ED-346570	3-D7A	EF-355374	1-33	ER-318400	3-R31
BA-A2061A020F	2-1F	ED-346570	3-D9A	EF-355374	3-F3E	ER-318400	3-R32
BA-A2061A020J	2-1J	ED-346571	1-23	EF-355374	3-F4E	ER-318400	3-R62
BA-A2061A030B	2-2B	ED-346571	3-D24	EF-355374	3-F5E	ER-318400	3-R63
BA-A2061A030D	2-2D	ED-346571	3-D25	EF-355374	3-F6H	ER-324185	3-R3
BA-A2061A040A	2-3	ED-346576	1-24	EF-358641	1-35	ER-324185	3-R4
BA-A2061C020A	2-1A	ED-346576	3-D10	EF-358641	3-F6G	ER-333023	3-R44
BA-A2061C020B	2-1B	ED-346576	3-D11	EF-358974	1-34	ER-333023	3-R45
BA-A2061C020D	2-1D	ED-346583	1-25	EF-358974	3-F3D	ER-333034	3-R46C
BA-A2061C020E	2-1E	ED-346583	3-D6	EF-358974	3-F4D	ER-333108	6-R301
BA-A2061C020G	2-1G	ED-346583	3-D8	EF-358974	3-F5D	ER-333372	3-R37
BA-A2061C020H	2-1H	ED-348990	1-14	EF-359086	1-32	ER-333372	3-R38
BA-A2061C030A	2-2A	ED-348990	3-D36	EF-359086	4-F1G	ER-338000	3-FR2
BA-A2061C030C	2-2C	ED-370990	1-17	EF-359225	1-31	ER-338000	3-FR3
BD-A2061A050B	16-23B-B	ED-370990	3-D12	EF-359225	4-F1H	ER-341493	3-FR1
BD-A2061A050C	16-23B-G	ED-370990	3-D13	EF-364518	1-30	ER-344161	11-FR101
BD-A2061A050E	16-23D-B	ED-370990	3-D16	EF-364518	4-F1J	ER-344161	11-FR102
BD-A2061A050F	16-23D-G	ED-370990	3-D17	EF-593706	1-40	ER-368226	1-61
BD-A2061A050G	16-23E-B	ED-370990	3-D20	EF-593706	3-F3C	ER-368226	3-R39
BD-A2061C050A	16-23A-B	ED-379981J	1-13	EF-593706	3-F4C	ER-378846J	3-R11
BD-A2061C050D	16-23C-B	ED-379981J	3-D2	EF-593706	3-F5C	ER-378846J	3-R24
BD-A2061C050H	16-23E-G	ED-379981J	3-D3	EF-593706	3-F6E	ER-382603J	3-R33
BT-368261	1-10	ED-383034J	1-12	EF-601942	1-41	ER-382603J	3-R34
BT-368261	15-T1	ED-383034J	3-D4	EF-601942	3-F3B	ER-382614J	15-R36
BT-391362J	1-3	ED-383034J	3-D5	EF-601942	3-F4B	ER-389203J	3-R7
BT-391362J	16-16A	ED-383034J	3-D29	EF-601942	3-F5B	ER-389203J	3-R8
BT-391363J	1-2	ED-384278J	1-16	EF-623103	1-36	ER-389203J	3-R9
BT-391363J	16-16B	ED-384278J	3-D1	EF-623103	3-F6C	ER-389203J	3-R10
BT-391365J	1-1	ED-390098J	1-11	EF-623125	1-37	ER-389922J	3-R5
BT-391365J	16-16C	ED-390098J	12-D201	EF-623125	4-F1F	ER-389922J	3-R6
BT-391366J	1-6	ED-390098J	12-D202	EF-690996	1-39	ER-390106J	3-R46B
BT-391366J	16-16D	ED-390098J	12-D203	EF-690996	4-F1D	ER-390107J	3-R46A
BT-391367J	1-5	ED-390098J	12-D204	EF-691007	1-38	ER-390108J	3-R12
BT-391367J	16-16E	ED-390098J	12-D205	EF-691007	4-F1E	ES-349070	1-70
BT-391368J	1-4	ED-390098J	12-D206	EI-344764	1-51	ES-349070	16-14
BT-391368J	16-16F	ED-390098J	12-D207	EI-344764	11-IC101	ES-355407	1-62
BT-391369J	1-9	ED-390098J	12-D208	EI-349719	1-50	ES-355407	4-SW101A
BT-391369J	16-16G	ED-390098J	12-D209	EI-349719	3-IC2	ES-361970	1-63
BT-391370J	1-8	ED-390098J	12-D210	EI-354080	1-59	ES-361970	4-SW101B
BT-391370J	16-16H	ED-390098J	12-D211	EI-354080	3-IC1	ES-390090J	1-69
BT-391371J	1-7	ED-390098J	12-D212	EI-356656	1-49	ES-390090J	10-SW2
BT-391371J	16-16J	ED-390098J	14-D401	EI-356656	9-IC601	ES-390091J	1-64
EC-201643	3-C4	ED-390098J	14-D402	EI-360040J1	1-58	ES-390091J	10-SW3
EC-201643	3-C5	ED-624903	1-15	EI-360040J1	15-IC1	ES-390092J	1-66
EC-320548	4-C101A	ED-624903	3-D26	EI-360043	1-52	ES-390092J	10-SW4
EC-338496	4-C101B	ED-624903	3-D27	EI-360043	10-IC1	ES-390093J	1-67
EC-365360	3-C8	ED-624903	3-D28	EI-360225	1-54	ES-390093J	10-SW5
EC-365360	3-C9	ED-624903	3-D32	EI-360225	15-IC6	ES-390094J	1-65
EC-365360	3-C12	ED-624903	3-D33	EI-362588	1-53	ES-390094J	10-SW6
EC-365360	3-C13	ED-624903	3-D34	EI-362588	15-IC5	ES-390103J	1-68
EC-365360	3-C16	ED-624903	3-D35	EI-390063J	1-57	ES-390103J	10-SW1
EC-367048	3-C6	ED-624903	3-D37	EI-390063J	15-IC2	ET-305463	1-83
EC-367048	3-C7	ED-624903	3-D38	EI-390064J	1-56	ET-305463	3-TR19
EC-377960	3-C19	ED-624903	3-D39	EI-390064J	15-IC3	ET-305463	3-TR20
EC-382350J	3-C1A	ED-624903	3-D40	EI-390065J	1-55	ET-305463	3-TR21
EC-382350J	3-C2A	ED-624903	3-D41	EI-390065J	15-IC4	ET-305463	3-TR22
EC-389170J	3-C3	ED-624903	3-D42	EJ-329610	16-11	ET-305463	3-TR33
EC-390066J	3-C1C	ED-624903	15-D1	EJ-348218	16-10	ET-307195	1-85
EC-390066J	3-C2C	ED-624903	15-D2	EJ-385272J	15-J1	ET-307195	3-TR32
EC-390067J	3-C1B	EF-258344	1-42	EJ-390077J	4-J101	ET-345625	1-88
EC-390067J	3-C2B	EF-258344	3-F6D	EJ-390078J	5-TM201	ET-345625	3-TR3
ED-307752	1-28	EF-306124	1-47	EJ-390084J	9-J602	ET-345625	3-TR26
ED-307752	3-D22	EF-306124	3-F6B	EJ-390085J	9-J601	ET-345625	3-TR28
ED-331197	1-26	EF-306952	1-45	EJ-390086J	15-J2	ET-345625	8-TR501
ED-331197	9-D601	EF-306952	4-F1B	EJ-390096J	11-J101A	ET-345626	1-77
ED-346525	1-27	EF-306952	4-F2B	EJ-390097J	11-J101B	ET-345626	3-TR4
ED-346525	15-D3	EF-309387	1-43	EJ-390097J	11-J102	ET-345626	3-TR27
ED-346549	1-18	EF-309387	3-F6A	EJ-390097J	11-J103	ET-345626	3-TR29
ED-346549	3-D23	EF-309388	1-48	EJ-390102J	13-J301	ET-345626	8-TR501
ED-346558	1-19	EF-309388	3-F3A	EJ-390102J	13-J302	ET-348830	1-86
ED-346558	3-D18	EF-309388	3-F4A	EJ-391132J	6-J301	ET-348830	3-TR15
ED-346558	3-D19	EF-309388	3-F5A	EO-337880	3-L1	ET-348830	3-TR17
ED-346558	3-D21	EF-326613	1-46	EO-337880	4-L101	ET-352726	1-79
ED-346564	1-20	EF-326613	4-F1A	EO-337880	4-L102	ET-352726	3-TR1
ED-346564	3-D7B	EF-326613	4-F2A	EO-345909	15-L1	ET-353899	1-78
ED-346564	3-D9B	EF-326639	1-44	EO-345909	15-L2	ET-353899	9-TR601
ED-346567	1-21	EF-326639	4-F1C	EQ-389205J	1-60	ET-353899	9-TR602
ED-346567	3-D14	EF-326639	4-F2C	EQ-389205J	3-RL1	ET-353899	9-TR603
ED-346567	3-D15	EF-355226	1-29	ER-318400	3-R18	ET-354365	1-72
ED-346570	1-22	EF-355226	3-F6F	ER-318400	3-R19	ET-354365	10-TR1

Part No.	Ref. No.	Part No.	Ref. No.	Part No.	Ref. No.	Part No.	Ref. No.
ET-354414	1-73	SB-391339J	16-26-B				
ET-354414	15-TR4	SB-391340J	16-27-B				
ET-354414	15-TR6	SB-391341J	16-28-B				
ET-354897	1-75	SB-391344J	16-29A-B				
ET-354897	3-TR16	SB-391345J	16-30A-B				
ET-354897	3-TR18	SB-391346J	16-31-B				
ET-356336	1-71	SB-391347J	16-29B-B				
ET-356336	15-TR5	SB-391348J	16-30B-B				
ET-356336	15-TR7	SB-391349J	16-32-B				
ET-359827	1-76	SK-373236A	16-20-G				
ET-359827	3-TR5	SK-373236B	16-20-B				
ET-359827	3-TR6	SK-373242A	16-21-G				
ET-359827	3-TR9	SK-373242B	16-21-B				
ET-359827	3-TR10	SK-375362	16-42-B				
ET-366365	1-84	SK-384004J	16-22-B				
ET-366365	3-TR8	SK-390789J	16-41-G				
ET-366365	3-TR12	SK-390814J	16-42-G				
ET-366581	1-93	SK-390816J	16-43A-G				
ET-366581	3-TR7	SK-390820J	16-22-G				
ET-366581	3-TR11	SK-391308J	16-41-B				
ET-366581	3-TR13	SK-391392J	16-43A-B				
ET-366581	3-TR14	SK-391394J	16-43B-B				
ET-370038	1-87	SP-390812J	16-44-G				
ET-370038	3-TR23	SP-391325J	16-1J				
ET-370038	3-TR24	SP-391326J	16-1K				
ET-370038	3-TR25	SP-391327J	16-1L				
ET-370038	15-TR1	SP-391328J	16-1E				
ET-370310	1-74	SP-391329J	16-1F				
ET-370310	9-TR604	SP-391330J	16-1G				
ET-370310	9-TR605	SP-391332J	16-1H				
ET-378524J	1-89	SP-391333J	16-1A				
ET-378524J	3-TR2	SP-391334J	16-1B				
ET-378524J	15-TR2	SP-391335J	16-1C				
ET-378524J	15-TR3	SP-391336J	16-1D				
ET-390070J	1-90	SP-391360J	16-44-B				
ET-390070J	3-TR30C	ZG-313162	16-36				
ET-390072J	1-91	ZG-391846J	16-33				
ET-390072J	3-TR30B	ZS-304021	16-40A				
ET-390073J	1-92	ZS-320906	16-15				
ET-390073J	3-TR30A	ZS-320906	16-38				
ET-390074J	1-80	ZS-336629	16-5A				
ET-390074J	3-TR31C	ZS-341959	16-46-G				
ET-390075J	1-81	ZS-341960	16-46-B				
ET-390075J	3-TR31B	ZS-346742	16-17				
ET-390076J	1-82	ZS-354055	16-40B				
ET-390076J	3-TR31A	ZS-354991	16-5B				
EV-390080J	1-94	ZS-354991	16-7				
EV-390080J	6-SW301	ZS-359226	16-3				
EV-390081J	1-95	ZS-359226	16-8				
EV-390081J	7-VR401	ZS-378722J	16-2				
EV-390083J	1-96	ZS-378722J	16-12				
EV-390083J	7-VR402	ZS-378722J	16-45				
EV-390095J	1-97	ZS-387983J	16-37				
EV-390095J	10-VR1	ZW-274026	16-18				
EV-390095J	10-VR2	ZW-698308	16-13				
EW-363657	16-9A						
EW-363670	16-9B						
EW-363682	16-9C						
EW-363696	16-9D						
EZ-380254J	16-6						
EZ-387958J	16-4B						
EZ-391372J	16-4A						
MZ-370925	16-19						
SA-379375	16-39B						
SA-384105J	16-39A						
SB-390790J	16-24-G						
SB-390792J	16-25-G						
SB-390793J	16-26-G						
SB-390794J	16-27-G						
SB-390795J	16-28-G						
SB-390799J	16-31-G						
SB-390801J	16-29B-G						
SB-390803J	16-30B-G						
SB-390804J	16-32-G						
SB-390805J	16-34-G						
SB-390806J	16-35-G						
SB-391305J	16-34-B						
SB-391306J	16-35-B						
SB-391337J	16-24-B						
SB-391338J	16-25-B						

MEMO

AKAI

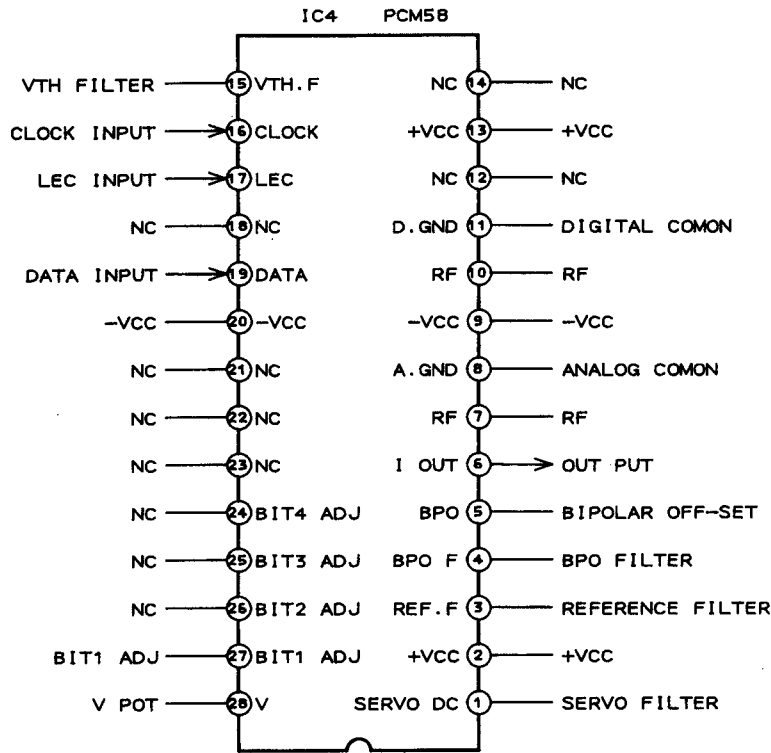
MODEL AM-35,55,65

SCHEMATIC DIAGRAMS AND PC BOARDS

TABLE OF CONTENTS

1. ICs	1
2. BLOCK DIAGRAM	3
3. MAIN AMP CONNECTION DIAGRAM	4
4. MAIN AMP PC BOARD & OTHER PC BOARDS	5
5. DAC SCHEMATIC DIAGRAM	6
6. DAC PC BOARD	7
7. INPUT & CONTROL SCHEMATIC DIAGRAM	8
8. CONTROL PC BOARD	9
9. INPUT PC BOARD & OTHER PC BOARDS	10

PCM58 (D/A Convertor)



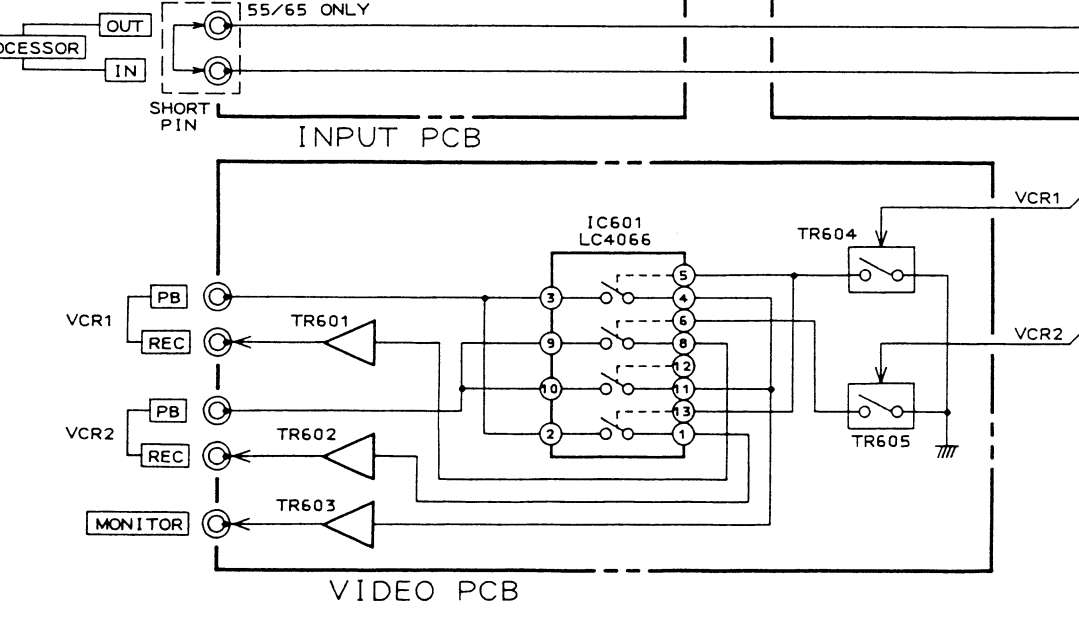
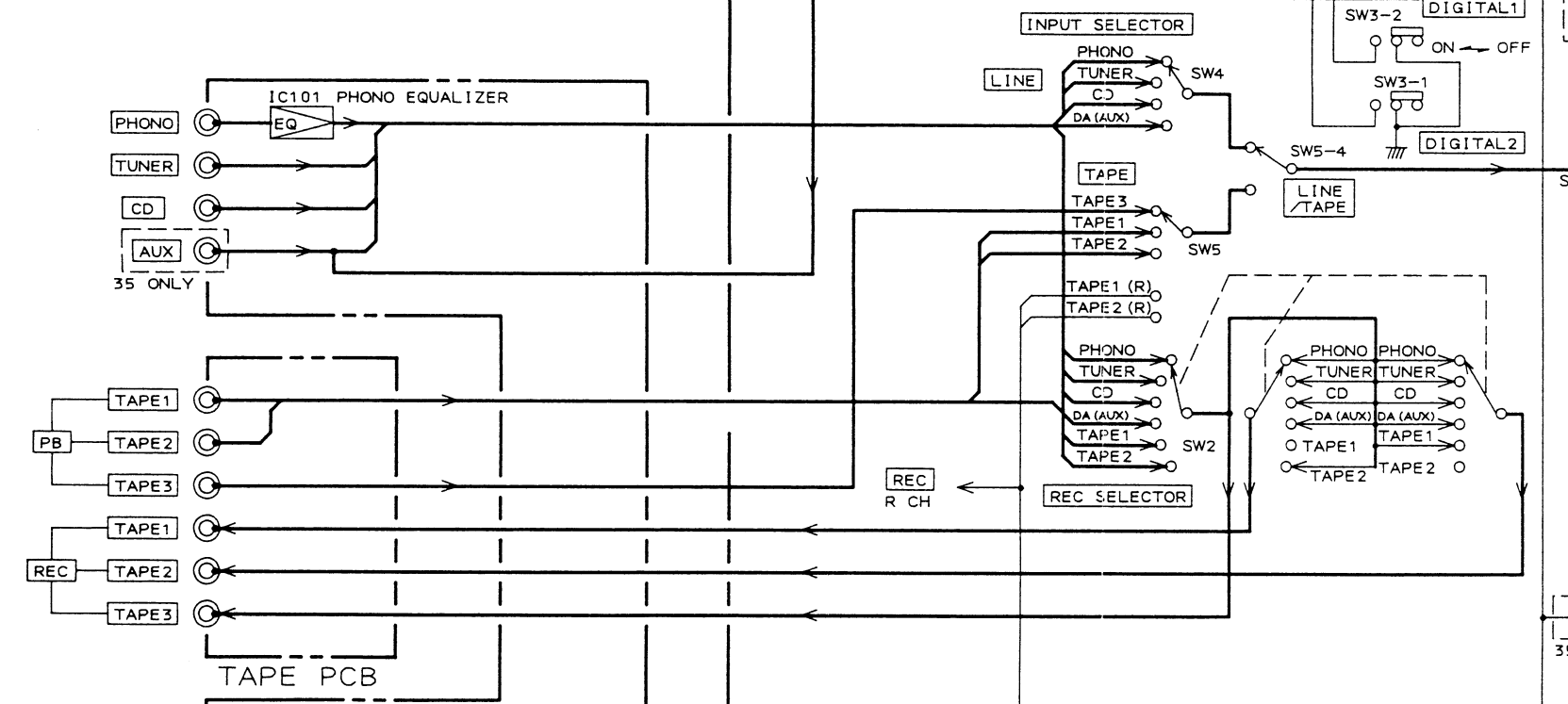
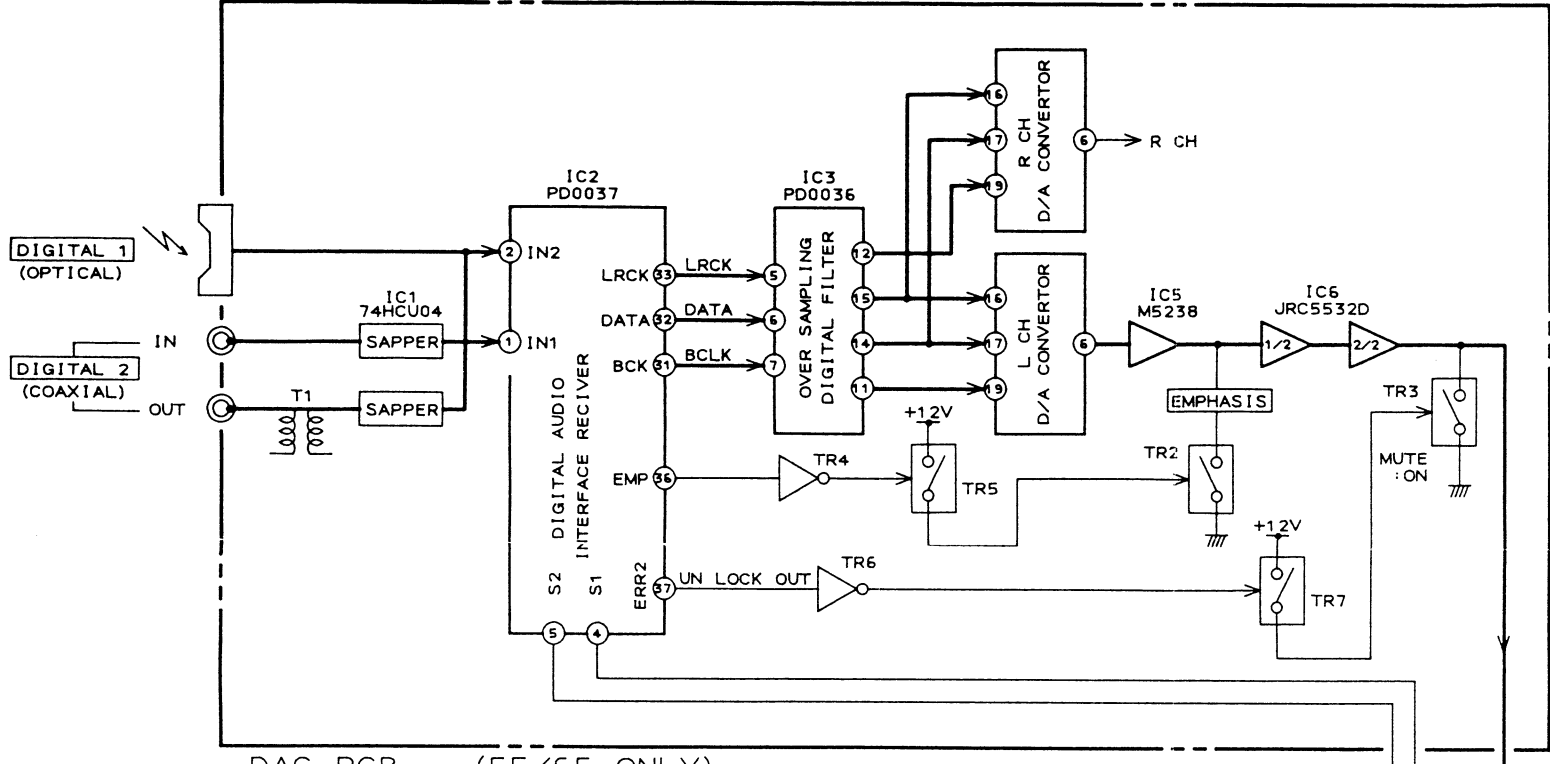
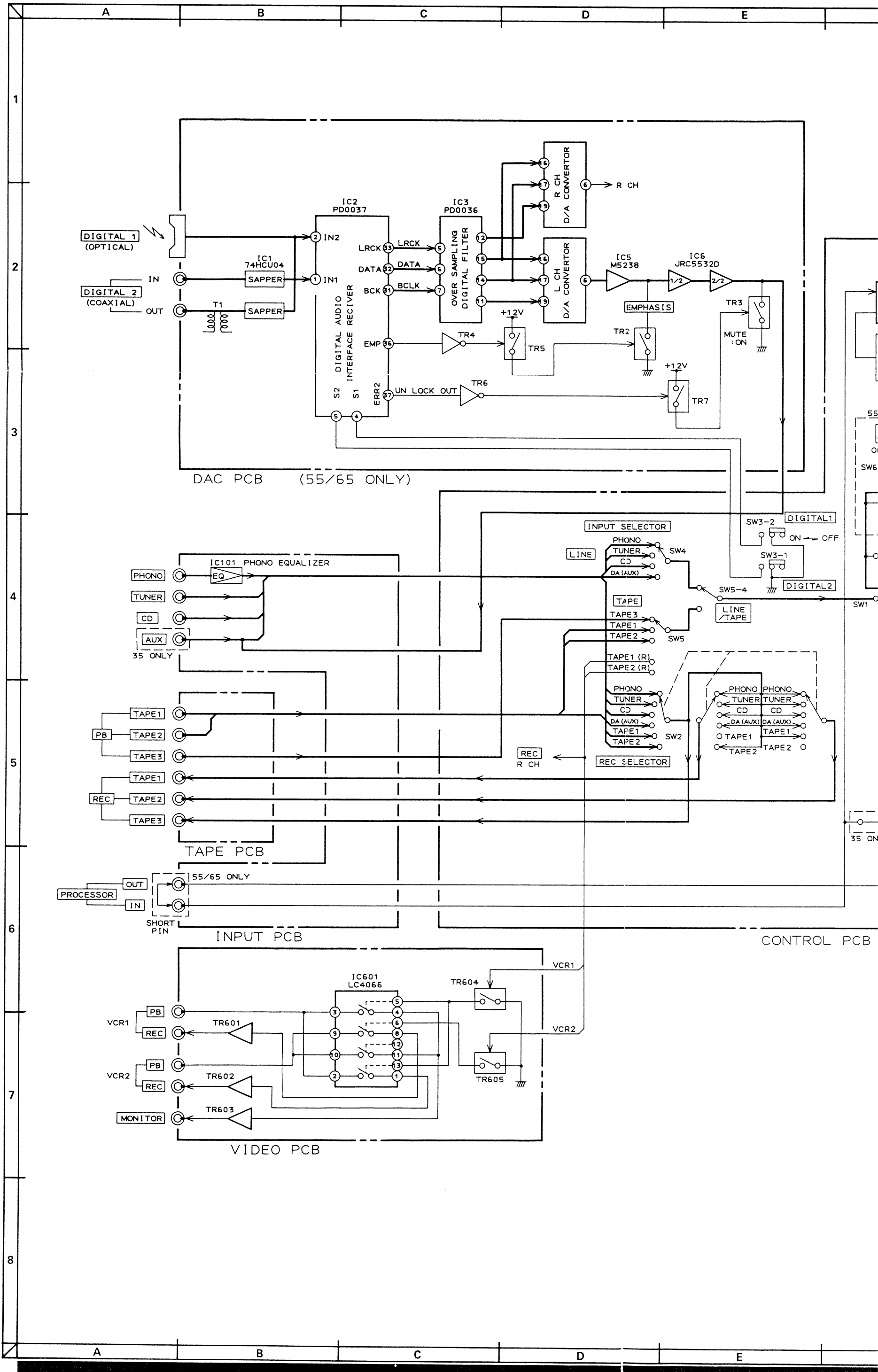
PD0036 (Over Sampling Digital Filter)

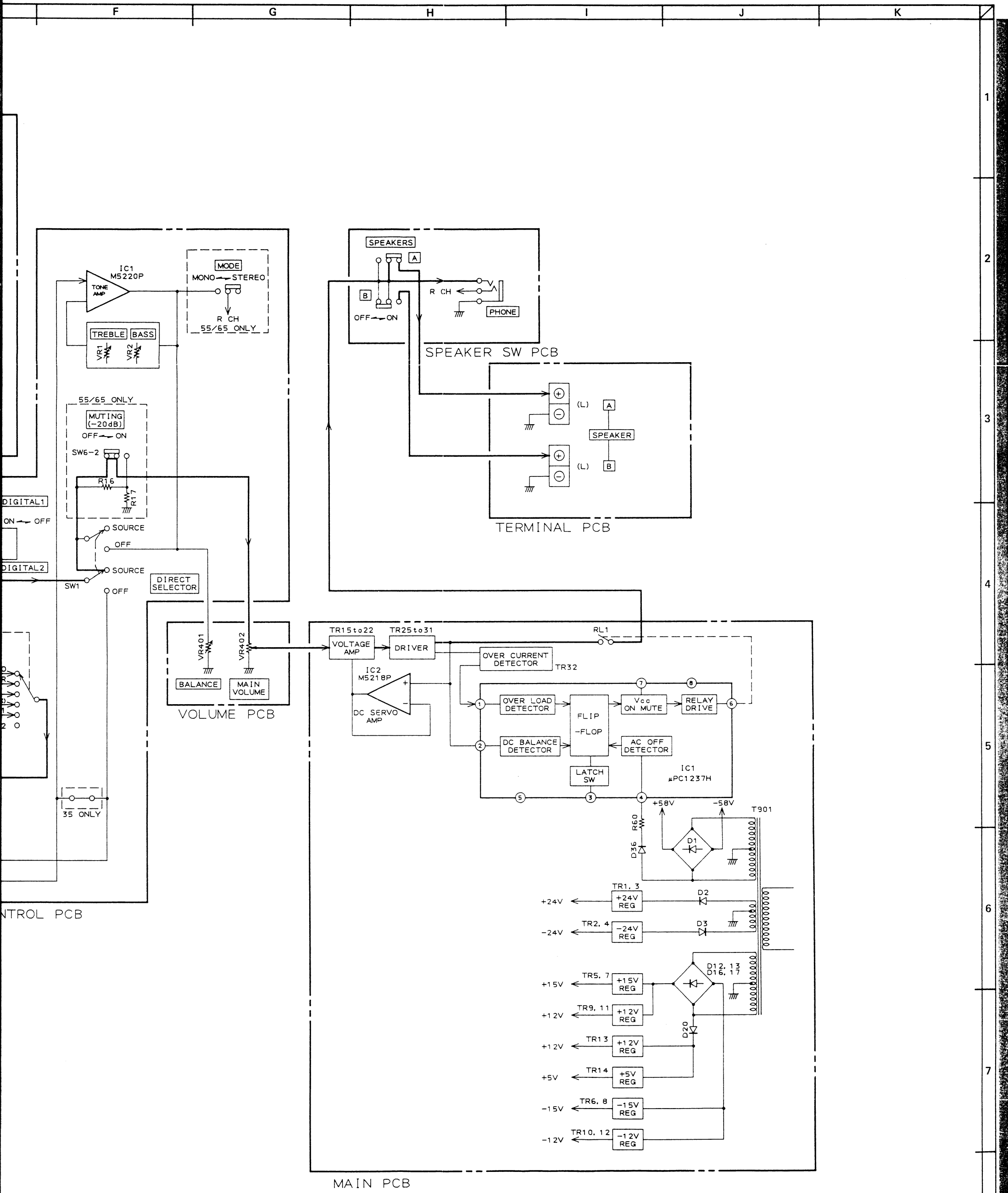
PIN NO	SYMBOL	I/O	FUNCTION
1	X IN	I	X'tal OSC Input
2	X OUT	O	X'tal OSC Input
3	MODE 1	I	H: 16.9344 MHz L: 8.4672 MHz
4	CK OUT	O	MODE 1 (H): 16.9344 MHz Clock out. MODE 1 (L): 8.4672 MHz Clock out
5	LRCK	I	LRCK Input
6	DATA	I	Serial DATA Input
7	BCLK	I	BCK Input
8	VSS	-	-B (OV)
9	MODE 2	I	H: 18 bit DATA Output L: 16 bit DATA Output
10	SH OUT	O	Sampling Hold Pulse out
11	LD OUT	O	DATA OUT (Lch)
12	RD OUT	O	DATA OUT (Rch)
13	MODE 3	I	MODE 3 (H): MODE 3 (L): 20 bit DATA out
14	W OUT	O	Word Clock out
15	B OUT	O	LD OUT, RD OUT
16	VDD	-	+B (+5V)

PD0037 (Digital Audio Interface Receiver)

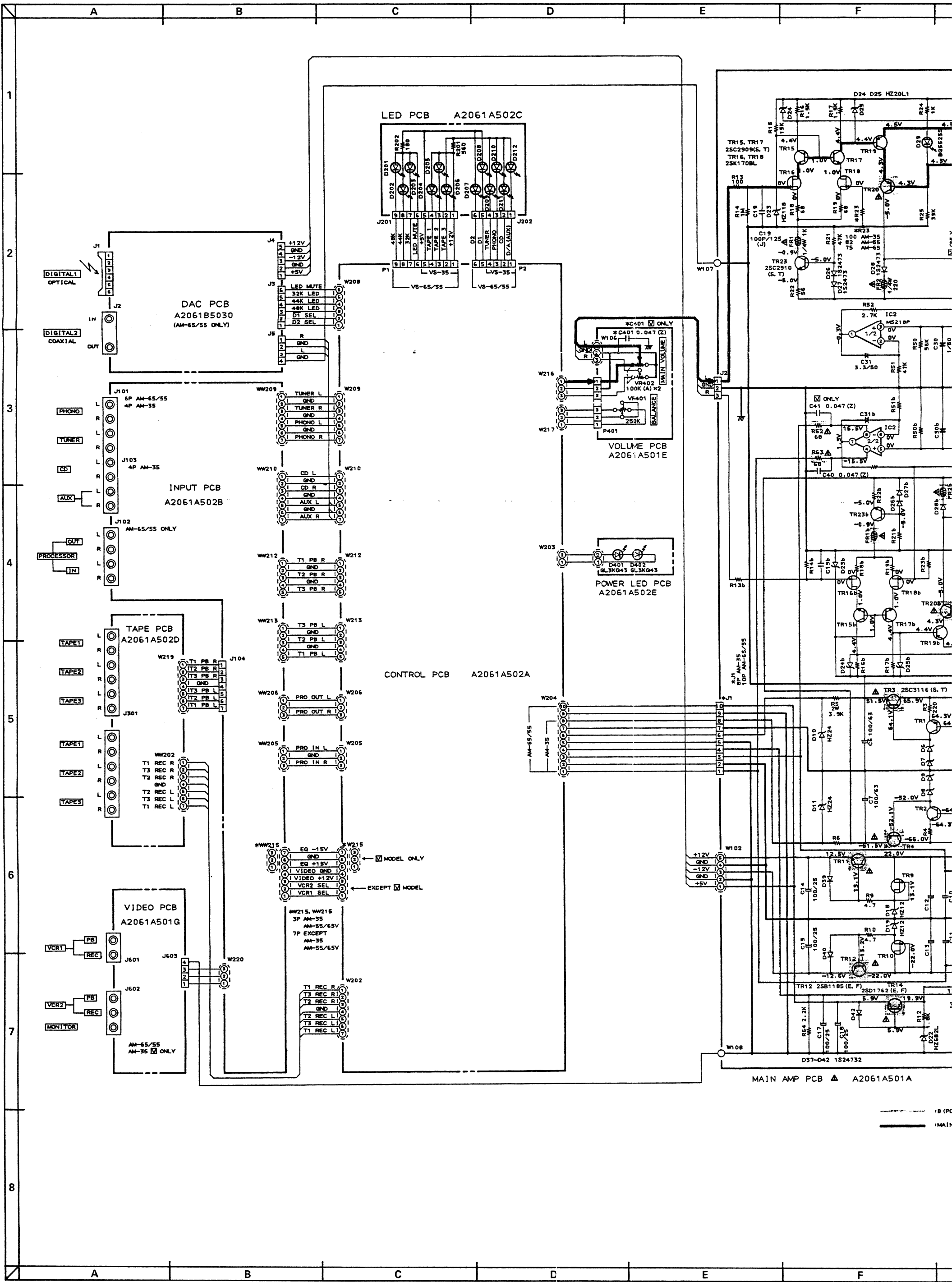
PIN NO	SYMBOL	I/O	FUNCTION
1	IN1	I	Data Input
2	IN2	I	Data Input
3	IN3	I	Data Input
4	S1	I	Input Select
5	S2	I	Input Select
6	OUT	O	MPX Data out
7	RXD	I	Data Input
8	$\overline{\text{TEST}}$	I	TEST MODE Input
9	CNTR	I	Counter Clock Input
10	2 INH	I	VCO "2" ON/OFF Control. H=OFF
11	VSS	—	-B (OV)
12	$\overline{\text{RESET}}$	I	Power "ON" Reset Input
13	PCVS	I	VCO "1" "2" Input
14	PC1 OUT	O	Phase comparator "1" output
15	R1	—	External resistor Connection Terminal for VCO (1)
16	VCO1 IN	I	Control Voltage Input
17	VDD1	—	+B(5V)
18	VCO1 out	O	NC
19	VSS1	—	GND for vco Circuit
20	C1A	—	External Capaciter Connection Terminal for VCO (1)

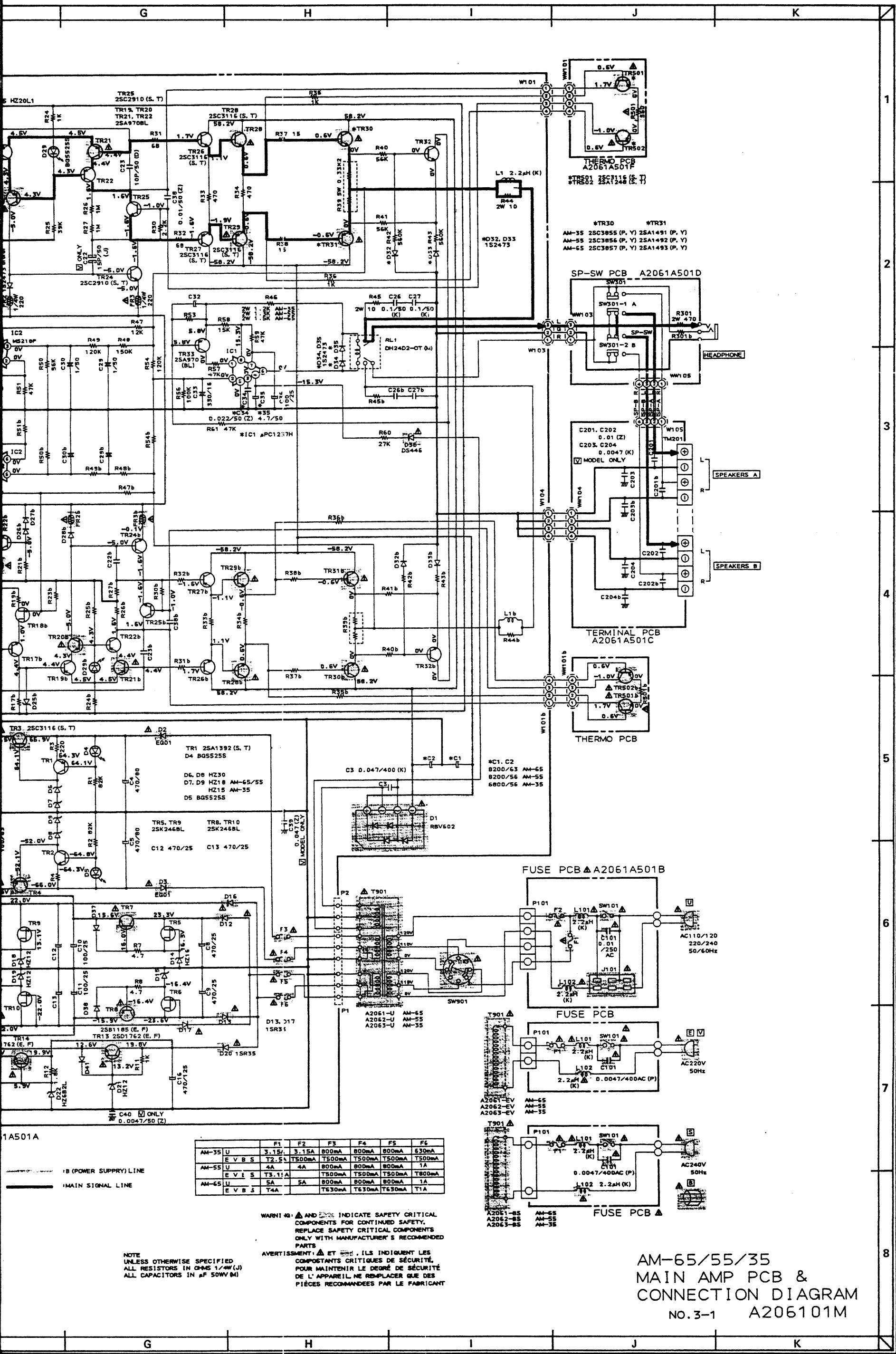
21	C1B	—	External Capaciter Connection Terminal for VCO (1)
22	C2B	—	External Capaciter Connection Terminal for VCO (2)
23	C2A	—	External Capaciter Connection Terminal for VCO (2)
24	VSS2	—	—B (OV)
25	VCO2 OUT	O	VCO Output (384fs)
26	VDD	—	+B (+5V)
27	VCO 2 IN	I	Control voltage Input
28	R2	—	External Resistor Connection Terminal for VCO (2)
29	PC 2 OUT	O	Phsase comperator "2" Output
30	SIG 2	I	Phsase comperator "2" Input
31	BCK	O	BCK Output
32	DATA	O	Audio Data Output
33	LRCK	O	Data Output (H=Lch, L=Rch)
34	WCK	O	Data word clock Output
35	COPY	O	Copy data Output
36	EMPH	O	H: EMPHASIS "ON"
37	ERR 2	O	H: UNLOCK "ON"
38	ERR 1	O	H=Err
39	48K	O	Sampling frequency data Output. L=active
40	44.1K	O	
41	32K	O	
42	VDD	—	+B (+5V)





AM-65/55/35
BLOCK DIAGRAM
No. A206151M





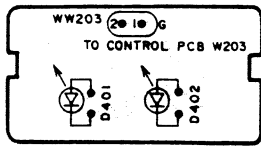
	F1	F2	F3	F4	F5	F6
AM-35 U	3.15A	3.15A	800mA	800mA	800mA	630mA
E V B S	T2.5A	T500mA	T500mA	T500mA	T500mA	T500mA
AM-55 U	4A	4A	800mA	800mA	800mA	1A
E V I S	T3.1A	T500mA	T500mA	T500mA	T800mA	T800mA
AM-65 U	5A	5A	800mA	800mA	800mA	1A
E V B S	T4A	T630mA	T630mA	T630mA	T530mA	T1A

WARNING: AND INDICATE SAFETY CRITICAL COMPONENTS FOR CONTINUED SAFETY. REPLACE SAFETY CRITICAL COMPONENTS ONLY WITH MANUFACTURER'S RECOMMENDED PARTS.

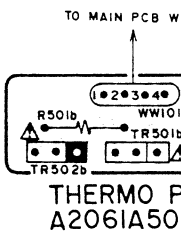
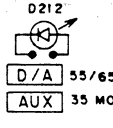
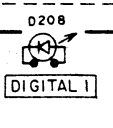
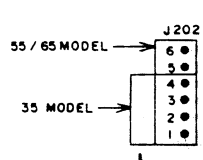
AVERTISSEMENT: ET IL S'AGIT DE COMPOSANTS CRITIQUES DE SÉCURITÉ. POUR MAINTENIR LE DEGRÉ DE SÉCURITÉ DE L'APPAREIL, NE REMPLACER QUE DES PIÈCES RECOMMANDÉES PAR LE FABRICANT.

NOTE: UNLESS OTHERWISE SPECIFIED, ALL RESISTORS IN OHMS (1/4W (J)) ALL CAPACITORS IN μF (50WV (M))

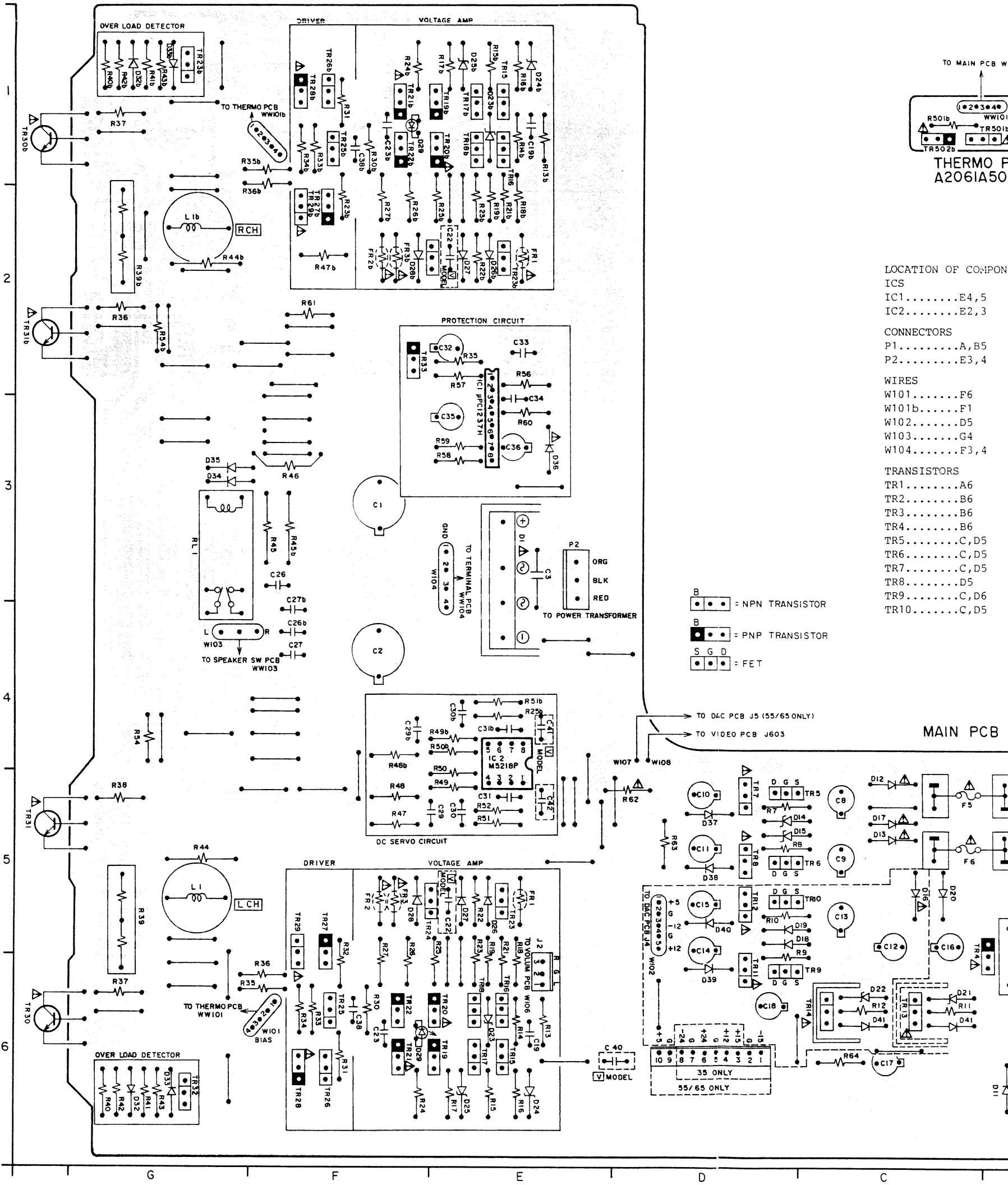
AM-65/55/35
 MAIN AMP PCB &
 CONNECTION DIAGRAM
 NO. 3-1 A206101M



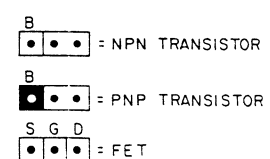
POWER LED PCB
A2061A502E



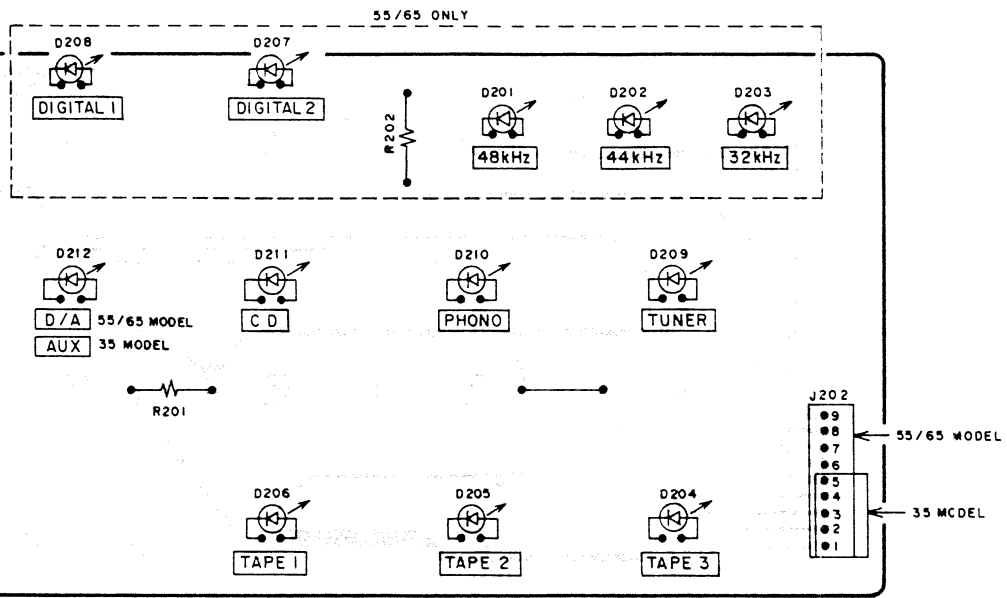
THERMO PCB
A2061A501E



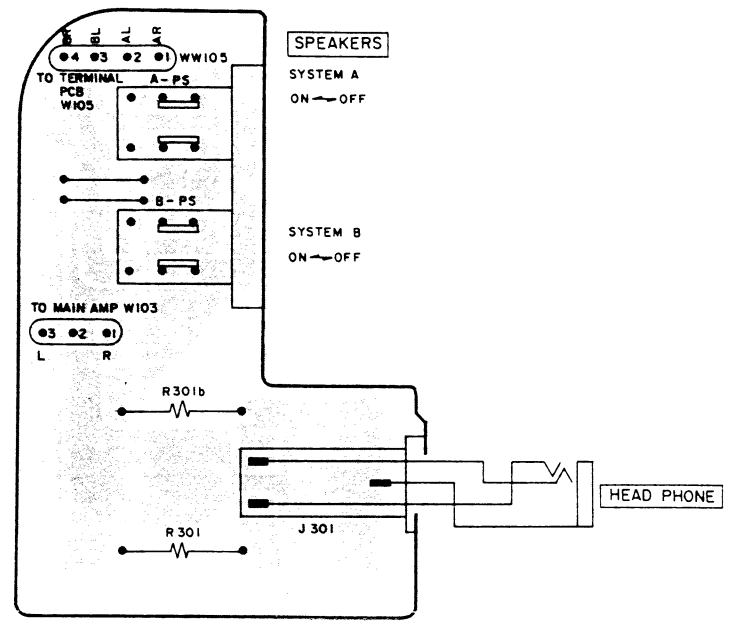
- LOCATION OF COMPONENTS
- IC1.....E4,5
 - IC2.....E2,3
- CONNECTORS
- P1.....A,B5
 - P2.....E3,4
- WIRES
- W101.....F6
 - W101b.....F1
 - W102.....D5
 - W103.....G4
 - W104.....F3,4
- TRANSISTORS
- TR1.....A6
 - TR2.....B6
 - TR3.....B6
 - TR4.....B6
 - TR5.....C,D5
 - TR6.....C,D5
 - TR7.....C,D5
 - TR8.....D5
 - TR9.....C,D6
 - TR10.....C,D5



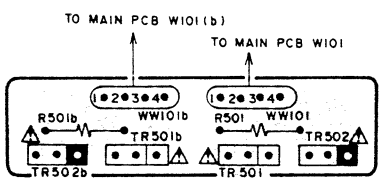
MAIN PCB A



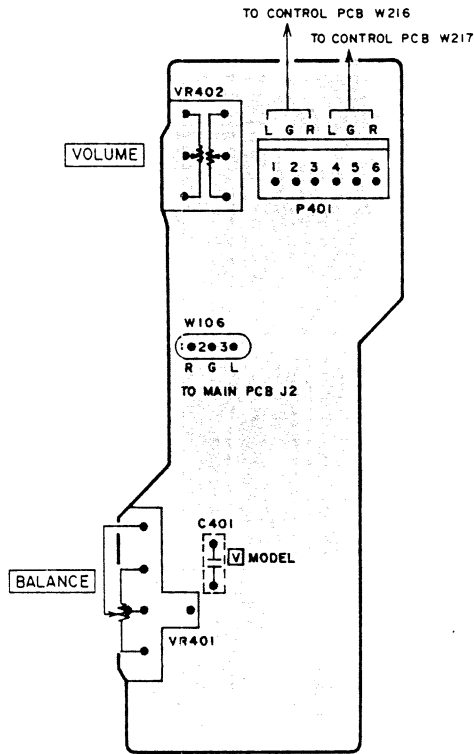
LED PCB A206IA502C



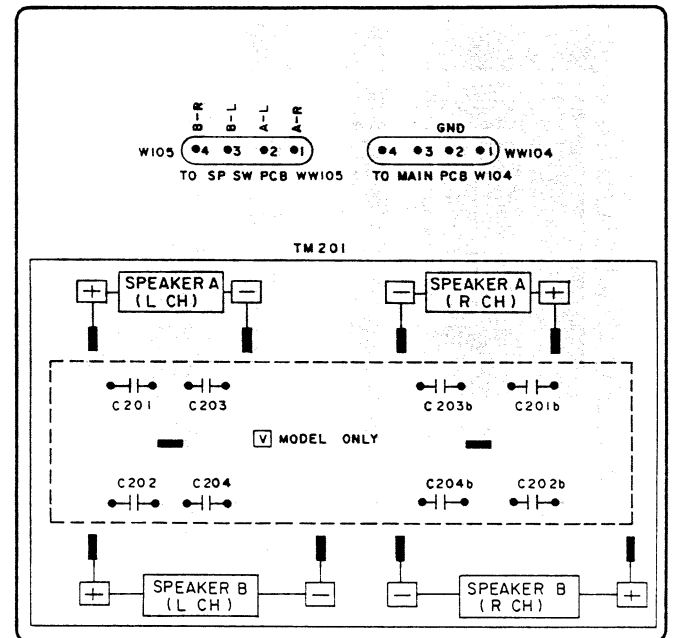
SPEAKER SW PCB A206IA501D



THERMO PCB A206IA501F



VOLUME PCB A206IA501E

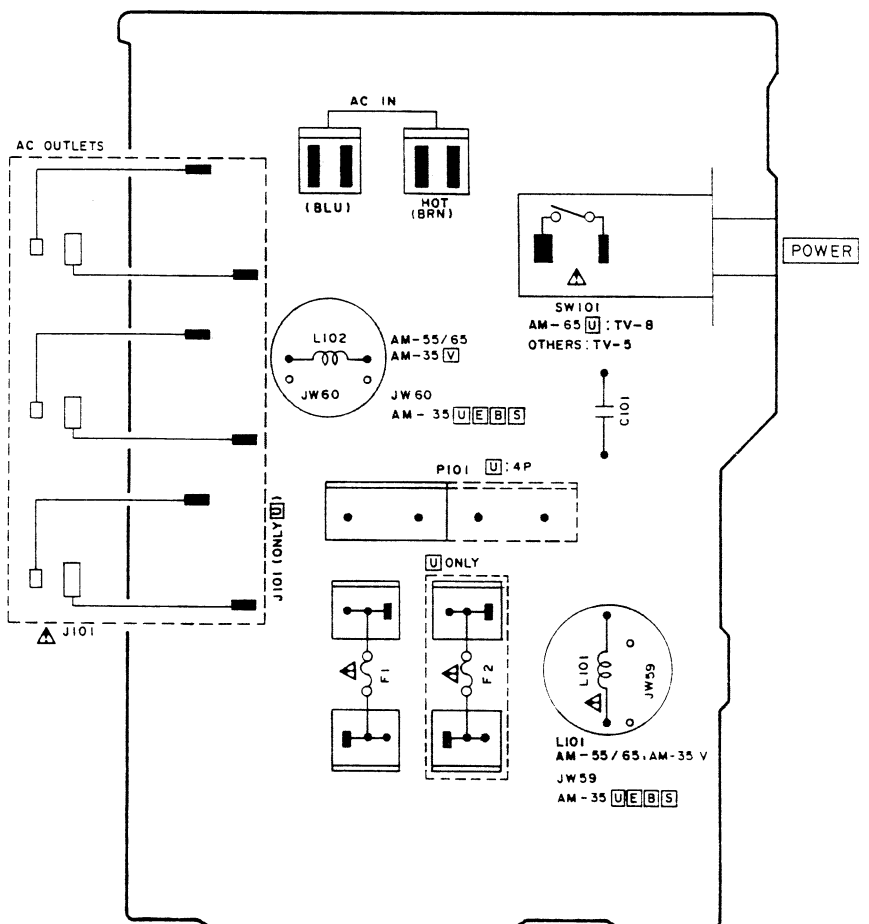
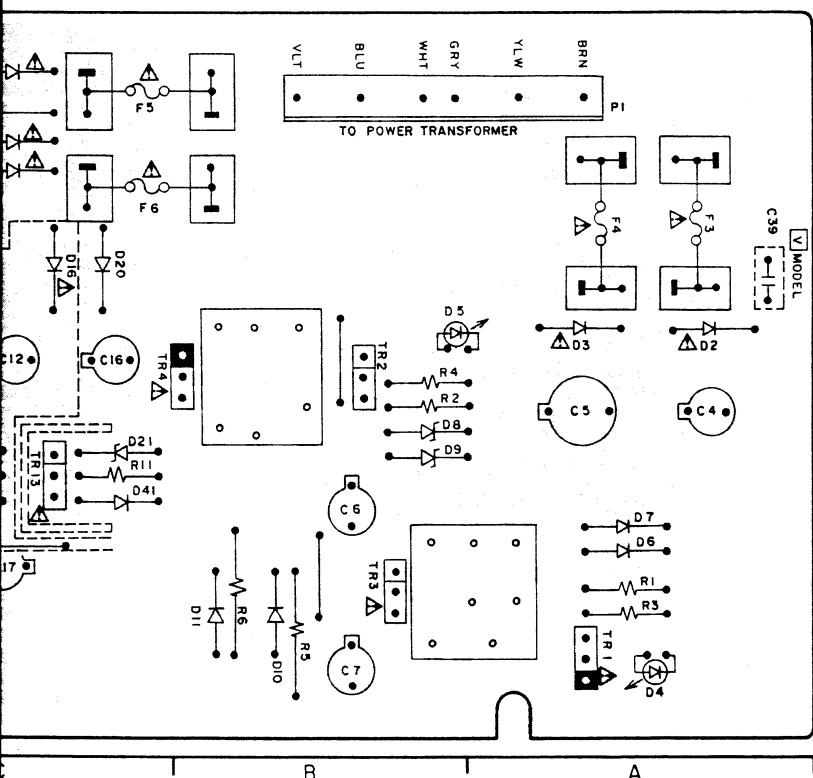


TERMINAL PCB A206IA501C

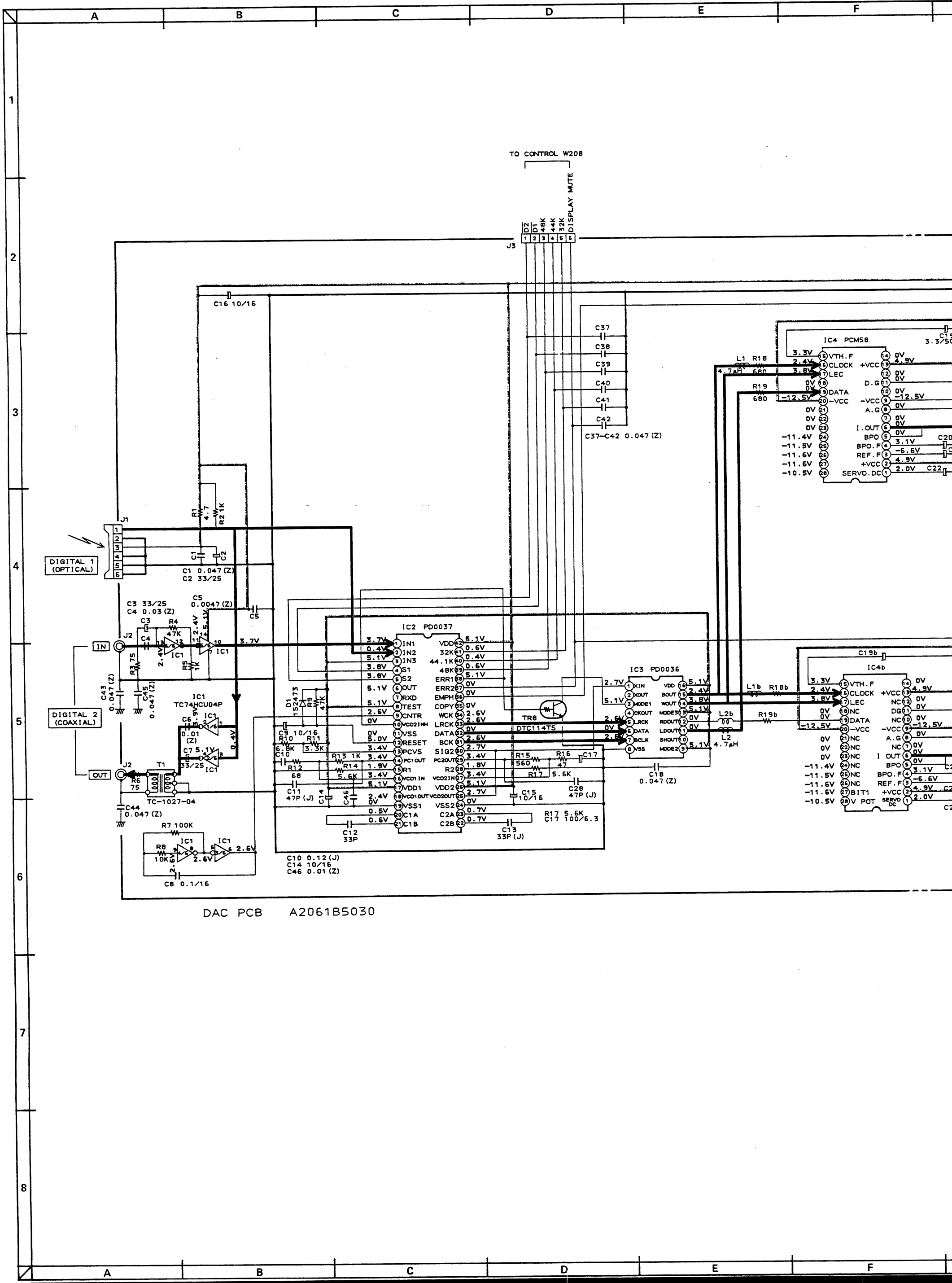
LOCATION OF COMPONENTS

CS	TR11.....D6	TR24b.....F2
CS1.....E4,5	TR12.....D5	TR25.....F1
CS2.....E2,3	TR13.....C6	TR26.....F1
CONNECTORS	TR14.....C6	TR27.....F5,6
P1.....A, B5	TR15.....E6	TR27b.....F1,2
P2.....E3,4	TR15b.....E1	TR28.....F1
WIRES	TR16.....E6	TR29.....F5,6
W101.....F6	TR16b.....E1	TR29b.....F1,2
W101b.....F1	TR17.....E6	TR30.....G6
W102.....D5	TR17b.....E1	TR30b.....G1
W103.....G4	TR18.....E6	TR31.....G5
W104.....F3,4	TR18b.....E1	TR31b.....G2
TRANSISTORS	TR19.....E,F6	TR32.....G6
TR1.....A6	TR19b.....E,F1	TR32b.....G1
TR2.....B6	TR20.....E,F6	TR33.....F2
TR3.....B6	TR20b.....E,F1	
TR4.....B6	TR21.....F6	
TR5.....C,D5	TR21b.....F1	
TR6.....C,D5	TR22.....F6	
TR7.....C,D5	TR22b.....E,F1	
TR8.....D5	TR23.....E5	
TR9.....C,D6	TR23b.....E2	
TR10.....C,D5	TR24.....F5	

MAIN PCB A206IA501A

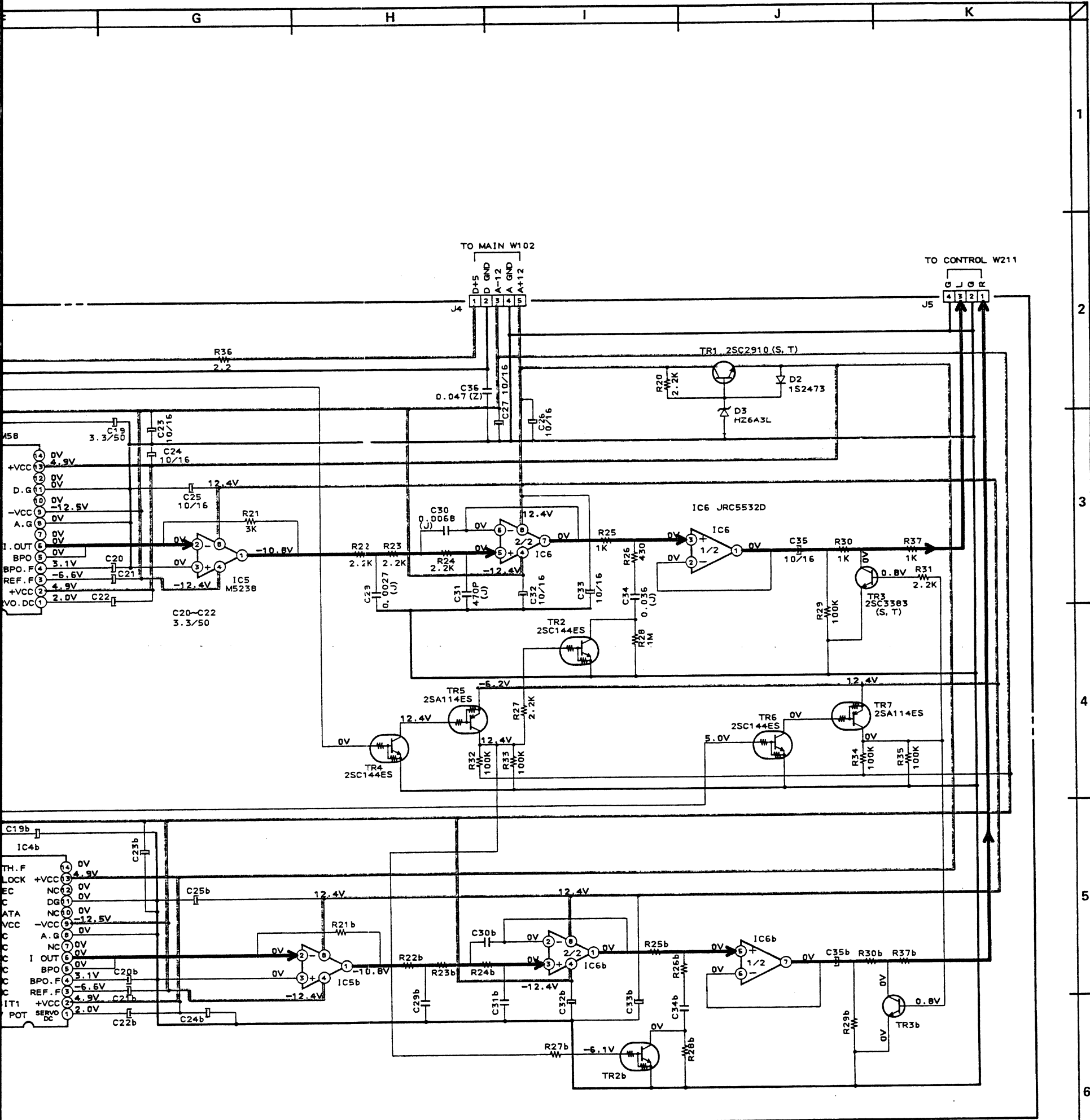


FUSE PCB A206IA501B



DAC PCB A2061B5030

Ans: 30



NOTE
 UNLESS OTHERWISE SPECIFIED
 ALL RESISTORS IN OHMS 1/4W(J)
 ALL CAPACITORS IN μF 50W(M)

— :B (POWER SUPPLY) LINE
 — :SIGNAL LINE

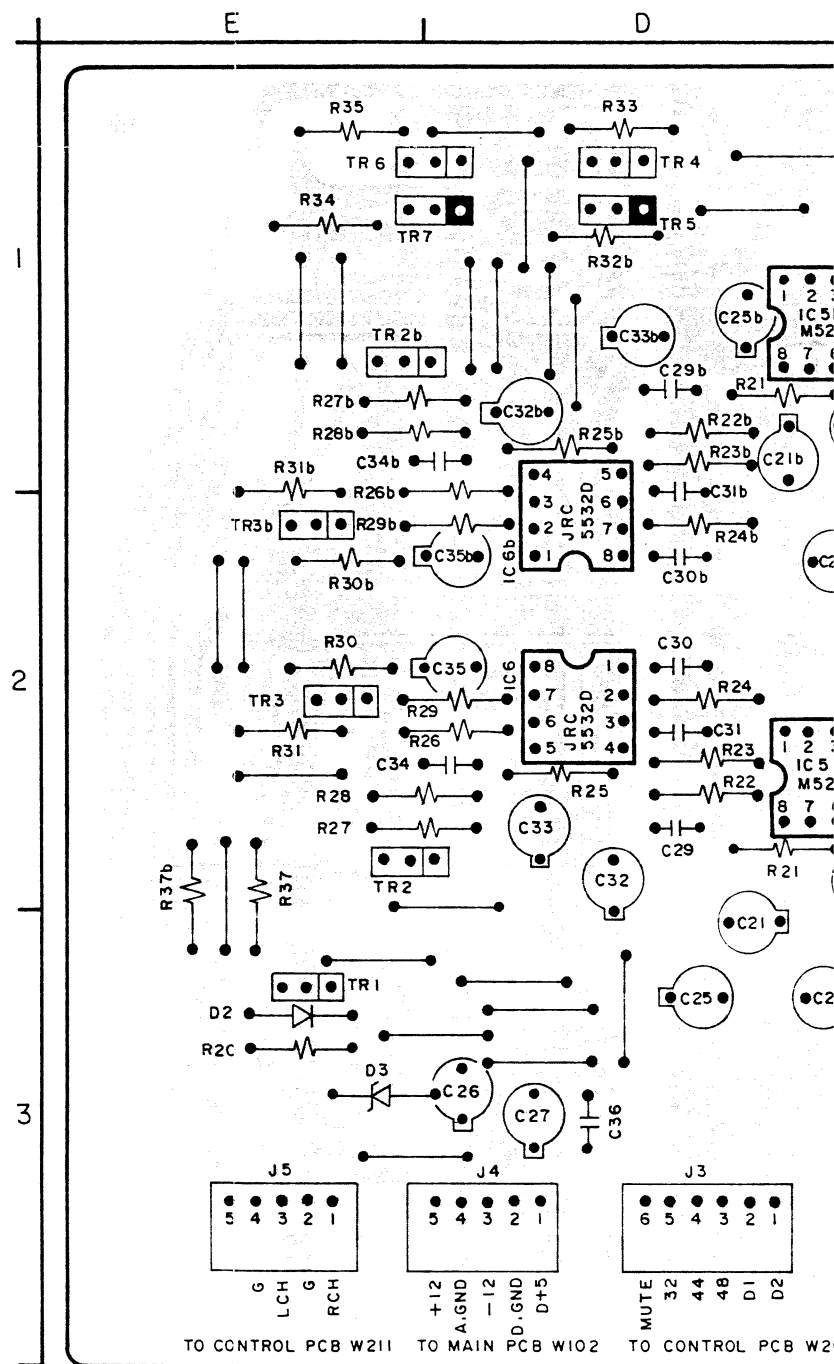
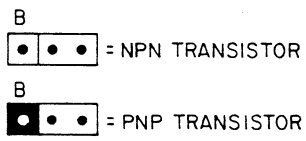
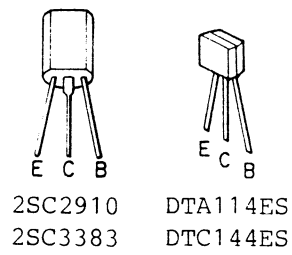
AM-65/55
 DAC PCB
 SCHEMATIC DIAGRAM
 NO. 3-2 A206103M

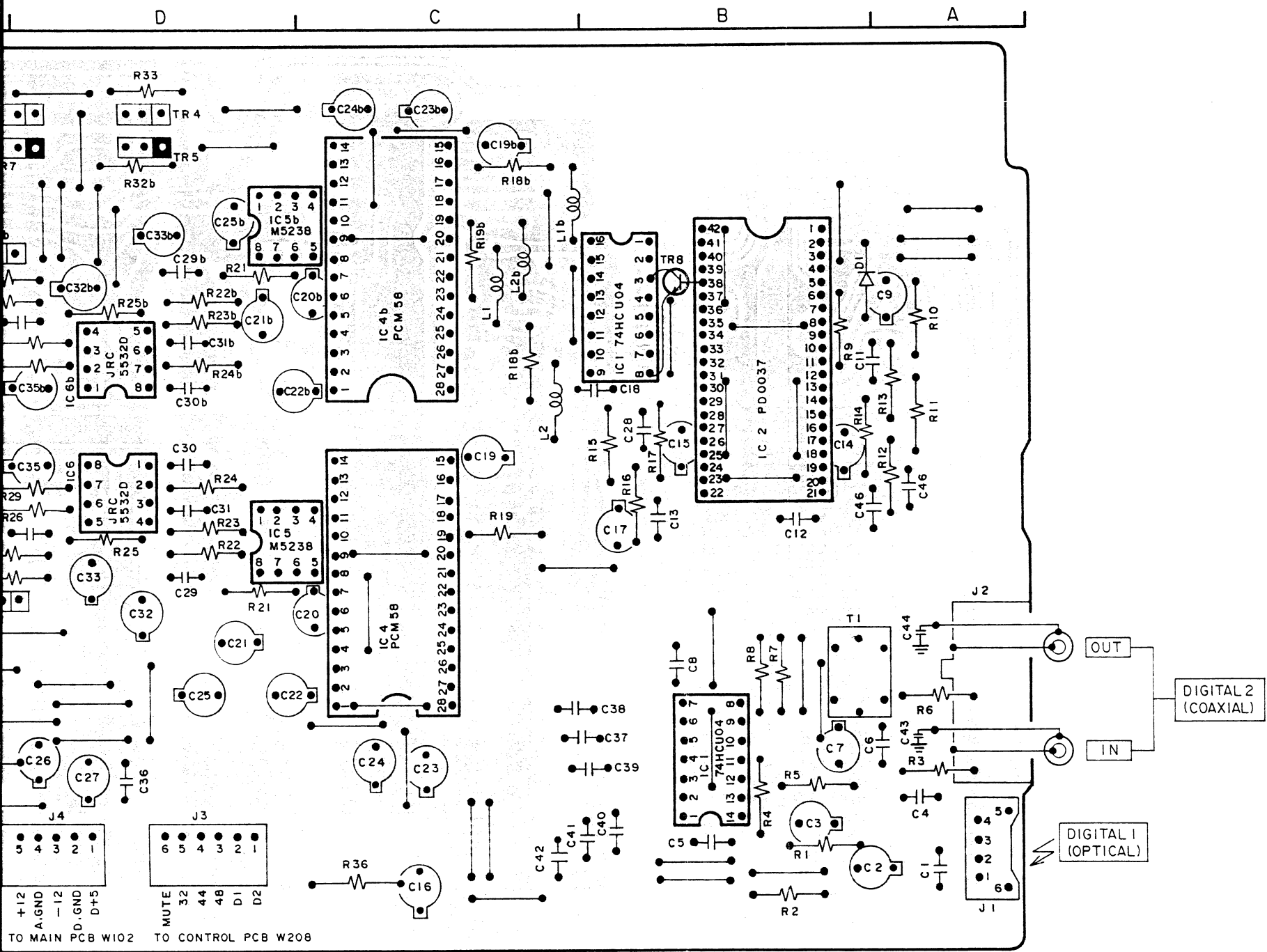
LOCATION OF COMPONENTS

ICS	TRANSISTORS
IC1.....B3	TR1.....E3
IC2.....B1,2	TR2.....D,E2
IC3.....B1,2	TR2b.....D,E1
IC4.....C2,3	TR3.....E2
IC4b.....C1,2	TR3b.....E2
IC5.....C,D2	TR4.....D1
IC5b.....C,D1	TR5.....D1
IC6.....D2	TR6.....D,E1
IC6b.....D1,2	TR7.....D,E1

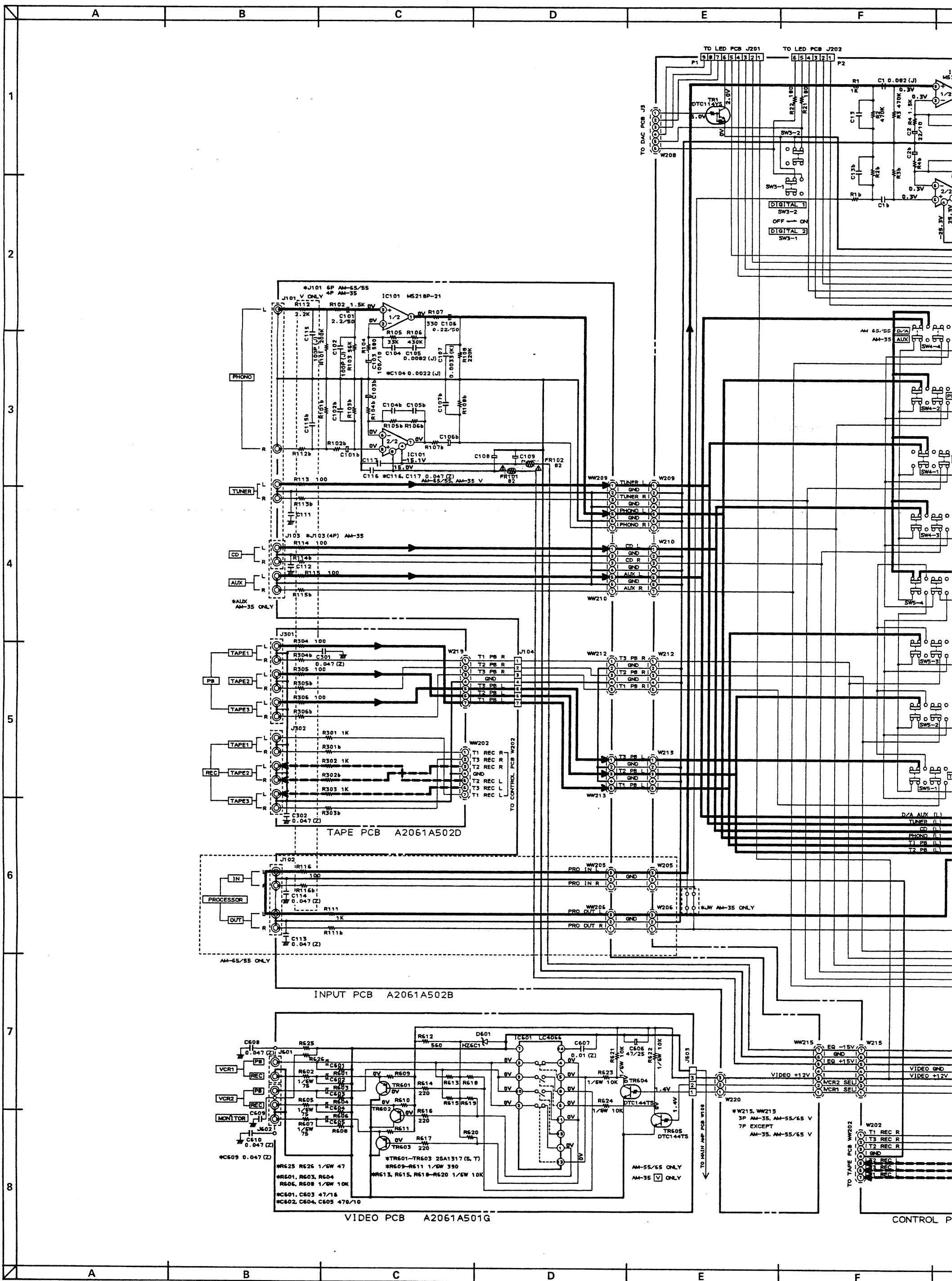
J

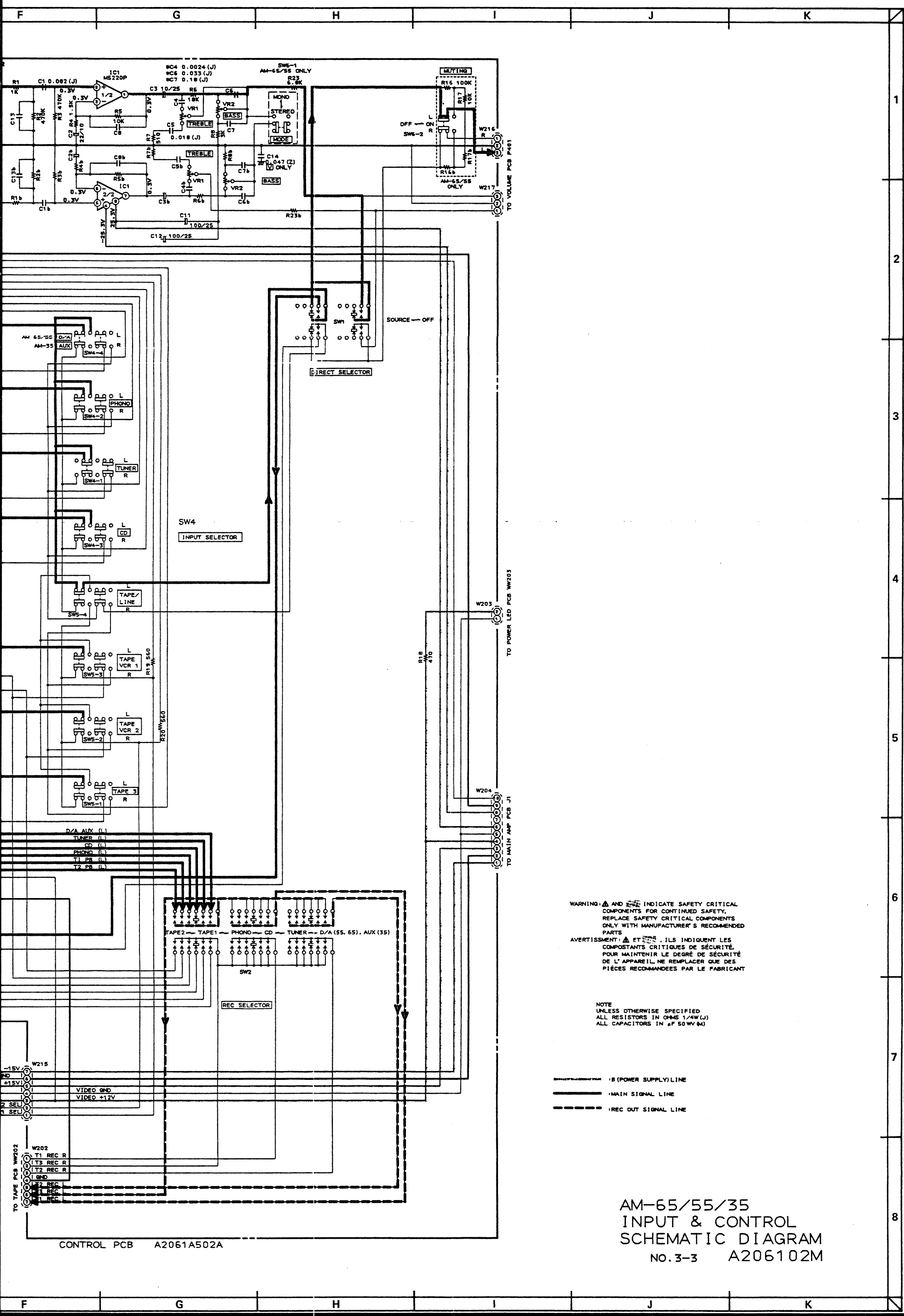
J1.....A3
J2.....A2,3
J3.....D3
J4.....D,E3
J5.....E3





DAC PCB A2061B5030 (55/65 ONLY)





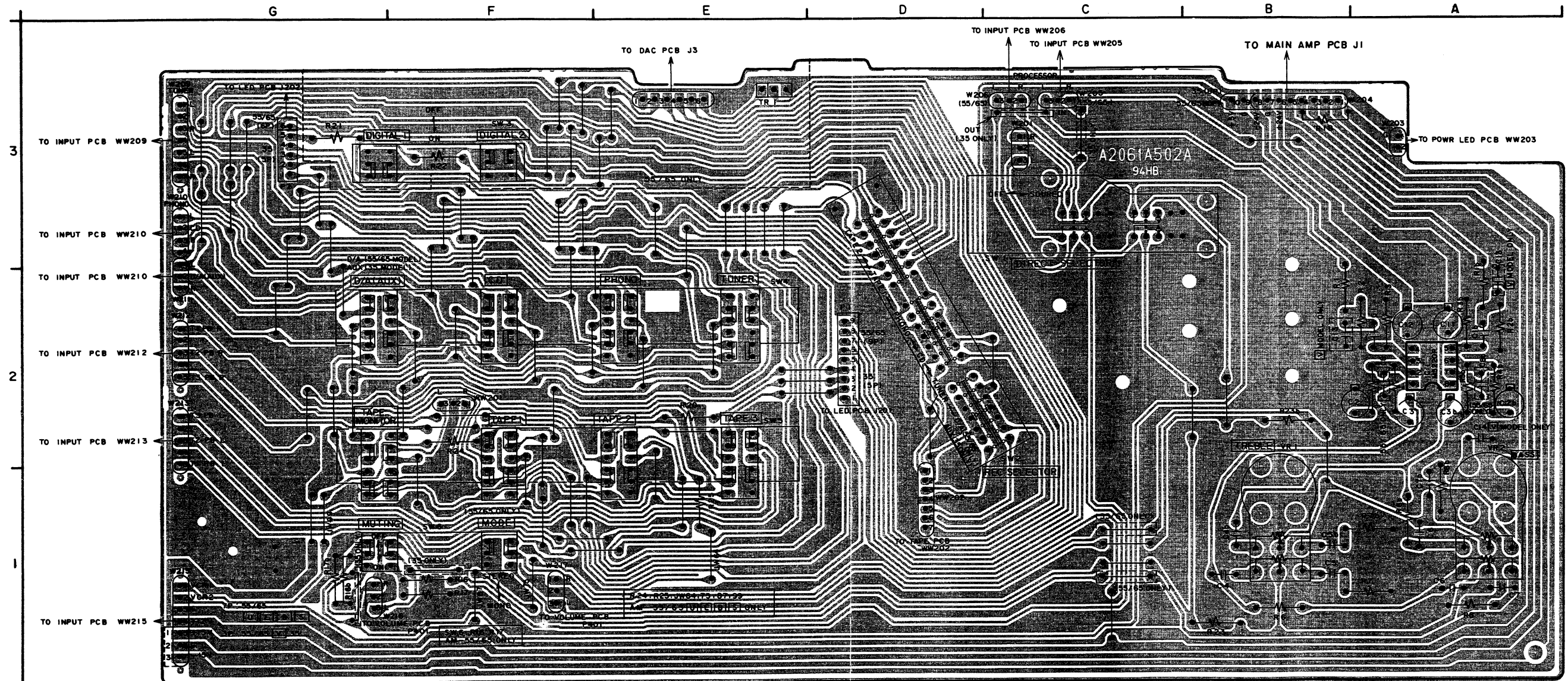
WARNING: AND INDICATE SAFETY CRITICAL COMPONENTS FOR CONTINUED SAFETY. REPLACE SAFETY CRITICAL COMPONENTS ONLY WITH MANUFACTURER'S RECOMMENDED PARTS.

AVERTISSEMENT: ET ILS INDICENT LES COMPOSTANTS CRITIQUES DE SÉCURITÉ. POUR MAINTENIR LE DEGRÉ DE SÉCURITÉ DE L'APPAREIL, NE REMPLACER QUE DES PIÈCES RECOMMANDÉES PAR LE FABRICANT.

NOTE
UNLESS OTHERWISE SPECIFIED
ALL RESISTORS IN OHMS 1/4W(J)
ALL CAPACITORS IN pF 50 WV (M)

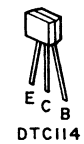
— (POWER SUPPLY) LINE
— MAIN SIGNAL LINE
- - - REC OUT SIGNAL LINE

AM-65/55/35
INPUT & CONTROL
SCHEMATIC DIAGRAM
NO. 3-3 A206102M



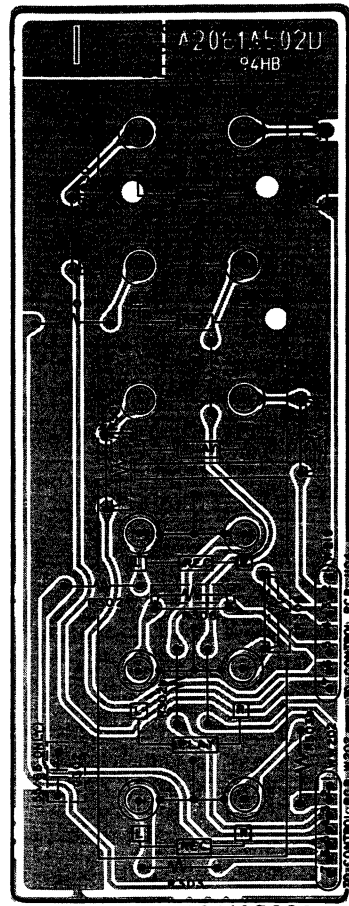
CONTROL PCB A2061A502A

 = NPN TRANSISTOR

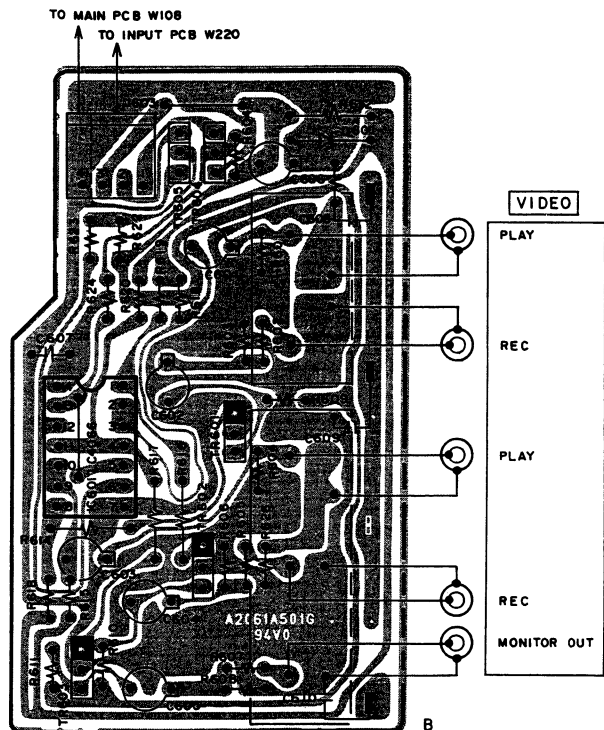


LOCATION ON COMPONENTS

IC	WIRES
IC1.....A2	W201.....C3
TRANSISTOR	WW201.....F2
TR1.....E3	W202.....D1
CONNECTORS	W203.....A3
P1.....D2	W204.....B3
P2.....G3	W205.....C3
	W206.....C3
	W208.....E3
	W209.....G3
	W210.....G3
	W211.....G2
	W212.....G2
	W213.....G1
	W215.....G1
	W216.....G1
	W217.....F1

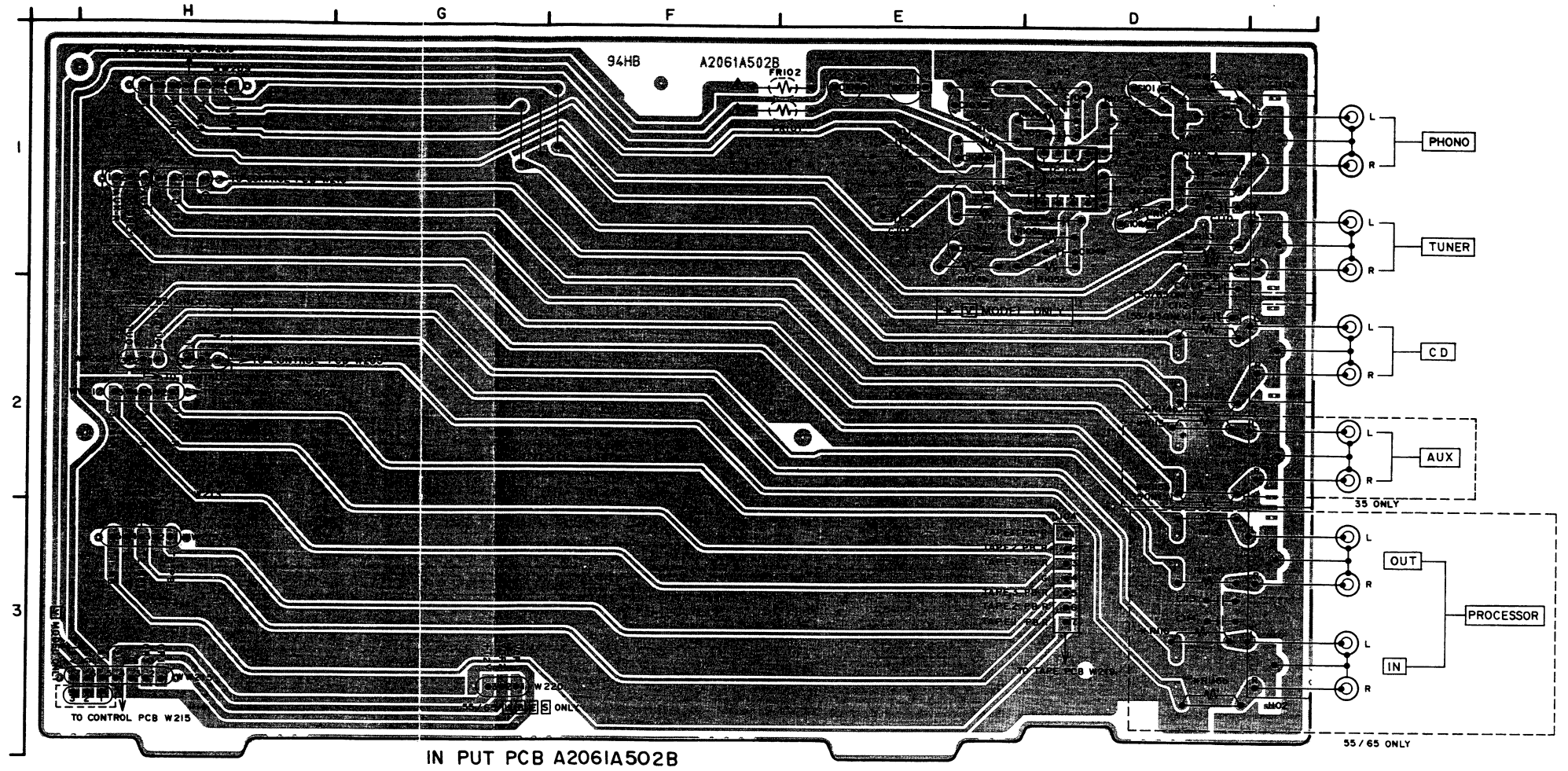
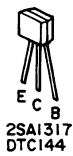


TAPE PCB A2061A502D



VIDEO PCB A2061A501G

= NPN TRANSISTOR
 = PNP TRANSISTOR



INPUT PCB A2061A502B

ABBREVIATIONS (AMPLIFIER)

ABBREVIATIONS	EXPLANATION
A	Analog
AC	Alternating Current
AMP	AMPlifier
CD	Compact Disc
COM	COMMon
D	Digital
D/A	Digital to Analog
DAC	Digital to Analog Converter
DAT	Digital Audio Tape recorder
DC	Direct Current
GND	GrouND
L	Left
LED	Light Emitting Diode
MC	Moving Coil
MM	Moving Magnet
PCB	Printed Circuit Board
R	Right
REG.	REGulator
REC	RECord
TR	TRansistor
SW	SWitch
V.AMP	Voltage AMPlifier
V.DISC	Video DISC
VR	Variable Resistance
VTR	Video Tape Recorder