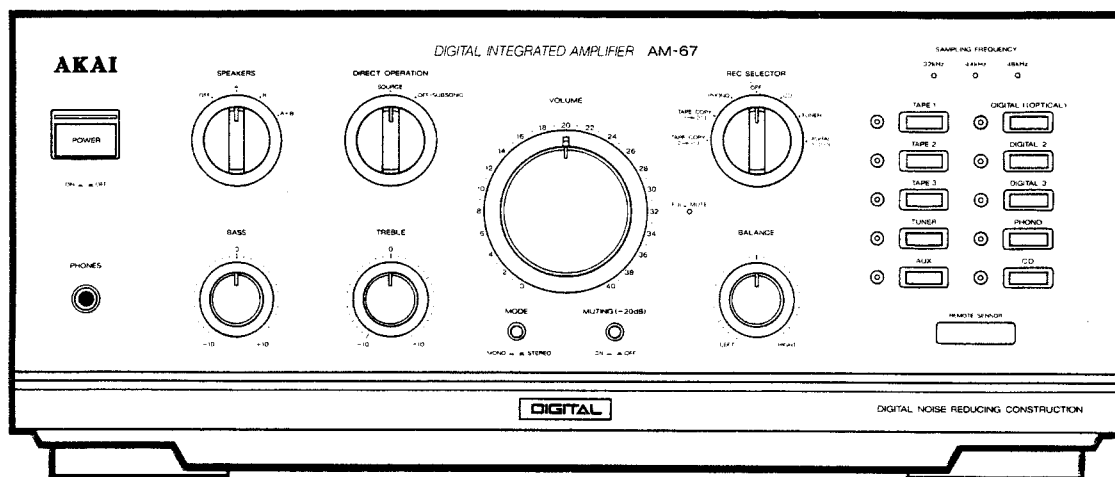


AKAI SERVICE MANUAL



MODEL AM-67

DIGITAL INTEGRATED AMPLIFIER

MODEL AM-57/67

SPECIFICATIONS

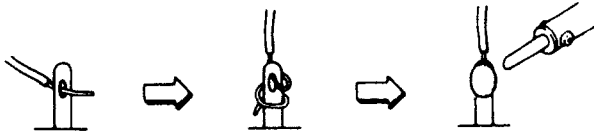
Power output	AM-67 200 W+200 W (DIN, 4 ohms at 1 kHz, 1%) 110 W + 110 W (FTC, 8 ohms at 20 Hz to 20 kHz, 0.05 %)	Required speaker impedance	A or B.....4 to 16 ohms A and B.....8 to 16 ohms
AM-57 170 W + 170 W (DIN, 4 ohms at 1 kHz, 1%) 100 W+100 W (FTC, 8 ohms at 20 Hz to 20 kHz, 0.05 %)	Power band width 5 Hz to 60 kHz (0.1 %)	[DIGITAL section AM-67only]	Sampling frequency 32 kHz / 44.1 kHz / 48 kHz
T. H. D 0.005 % (1 kHz, 8 ohms)	Frequency response 5 Hz to 100 kHz (+0 dB, -3 dB)	Digital filter Advanced interpolative dual D/A convertor	Digital input level
Tone control	BASS ±8 dB (100 Hz)	Digital input level	Coaxial 0.5 Vp-p / 75 ohms
TREBLE ±8 dB (10 kHz)	Input level / Impedance	Optical -14 dBm to -23dBm	Frequency response 5 Hz to 20 kHz (±0.3 dB)
PHONO (MM) 2.0 mV / 47 kohms	TUNER, etc. 150 mV / 47 kohms	Dynamic range 96 dB	T.H.D 0.002 %
Output level	TAPE REC OUT 150 mV	[GENERAL]	Power requirements 220-230 V, 50 Hz for Europe except UK 240 V, 50 Hz for UK
Damping factor 45 (1 kHz, 8 ohms)	S/N ratio	Dimensions 425 (W) X 177 (H) X 401 (D) mm	Weight
PHONO (MM) 86 dB (IHF-A)	TUNER, etc. 102 dB (IHF-A)	AM-67 14.8 kg	AM-57 13.3 kg
Audio mute -20dB	Subsonic filter 10 Hz (-12dB /oct)	Standard accessory	Remote control unit x 1 (RC-A67)
Channel separation 75 dB (1 kHz) / 55 dB (10 kHz)		Batteries x 2	Operator's manual x 1

* For improvement purposes, specifications and design are subject to change without notice.

★SAEETY INSTRUCTIONS

PRECAUTIONS DURING SERVICING

1. Parts identified by the \triangle (*) symbol are critical for safety. Replace only with parts number specified
2. In addition to safety, other parts and assemblies are specified for conformance with such regulations as those applying to spurious radiation.
These must also be replaced only with specified replacements.
Examples: RF converters, tuner units, antenna selector switches, RF cables, noise blocking capacitors, noise blocking filters, etc.
3. Use specified internal wiring. Note especially:
 - 1) Wires covered with PVC tubing
 - 2) Double insulated wires
 - 3) High voltage leads
4. Use specified insulating materials for hazardous live parts. Note especially:
 - 1) Insulation Tape
 - 2) PVC tubing
 - 3) Spacers (Insulating Barriers)
 - 4) Insulation sheets for transistors
 - 5) Plastic screws for fixing micro switch (especially in turntable)
5. When replacing AC primary side components (transformers, power cords, noise blocking capacitors, etc.), wrap ends of wires securely about the terminals before soldering



6. Observe that wires do not contact heat producing parts (heatsinks, oxide metal film resistors, fusible resistors, etc.).

7. Check that replaced wires do not contact sharp edged or pointed parts.
8. Also check areas surrounding repaired locations.
9. Use care that foreign objects (screws, solder, droplets, etc.) do not remain inside the set.

SAFETY CHECK AFTER SERVICING

After servicing, make measurements of leakage-current or resistance in order to determine that exposed parts are acceptably insulated from the supply circuit.

The leakage-current measurement should be done between accessible metal parts (such as chassis, ground terminal, microphonejacks, signal-input/output connectors, etc.) and the earthground through a resistor of 1500 ohms paralleled with a 0.15 μ F capacitor, under the unit's normal working conditions. The leakage-current should be less than 0.5 mA rms AC.

The resistance measurement should be done between accessible exposed metal parts and power cord plug prongs with the power switch (if included) "ON". The resistance should be more than 2.2 Mohms.

MAKE YOUR CONTRIBUTION TO PROTECT THE ENVIRONMENT

Used batteries with the ISO symbol for recycling as well as small accumulators (rechargeable batteries), mini-batteries (cells) and starter batteries should not be thrown into the garbage can.



Please leave them at an appropriate depot. All other household batteries can be thrown out with the household waste

★ INFORMATION

SYMBOLS FOR PRIMARY DESTINATION

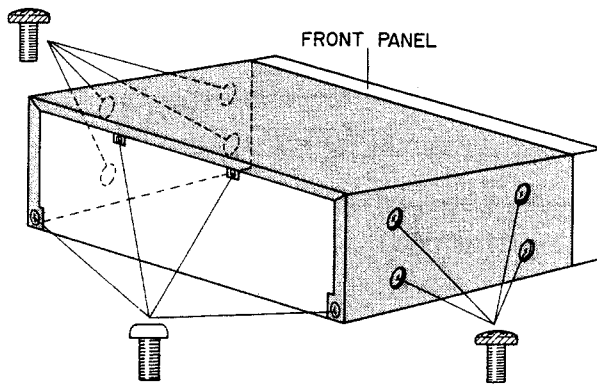
Alphabet indicates the destination of the units as listed below.

Symbols	Principal Destinations
A	USA
B	UK
C	Canada
E	Europe (except UK)
J	Japan
S	Australia
V	Germany
U	Universal Area
Y*	Custom version

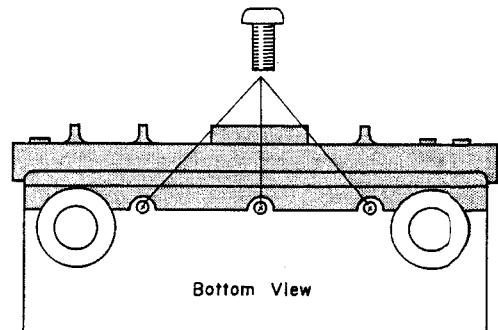
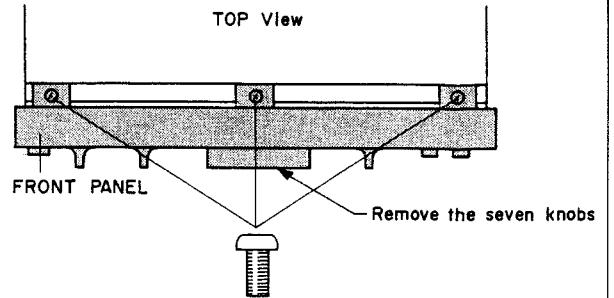
I. DISASSEMBLY

In case of trouble, etc. necessitating dismantling, please dismantle in the order shown in the illustrations. Reassemble in reverse order.

1. Removal of UPPER COVER



2. Removal of FRONT PANEL



II. PRINCIPAL PARTS LOCATION

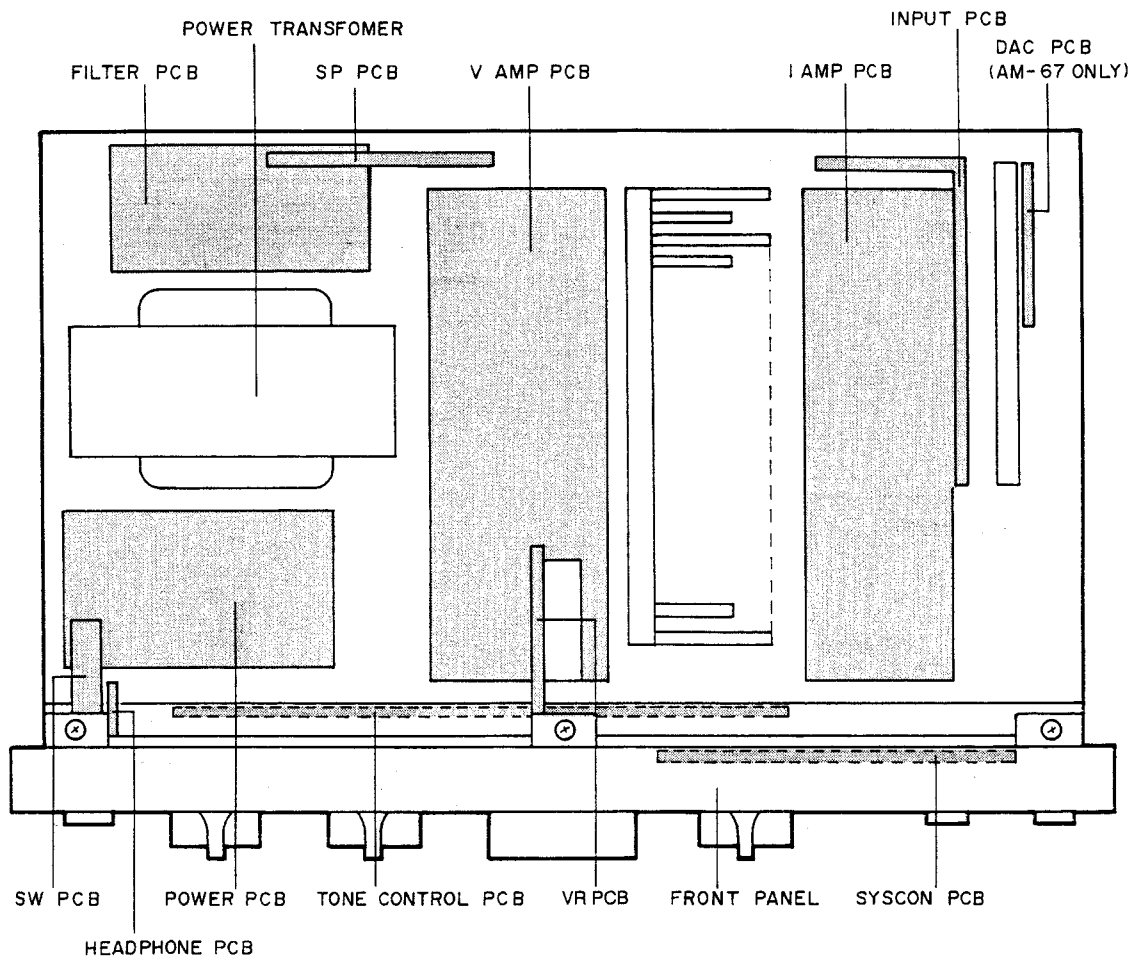


Fig. 2-1 Top view

III. PARTS LIST

ATTENTION

1. When placing an order for parts, be sure to list Part No., Model No. and the description of each part. Otherwise, the non-delivery of the part or the delivery of a wrong part may result.
2. Please make sure that Part No. is correct when ordering. If not, a part different from the one you ordered may be delivered.
3. Since the parts shown in Parts List of Preliminary Service Manual may have been the subject of changes, please use this Parts List for all future reference.

HOW TO USE THIS PARTS LIST

1. This Parts List lists those parts which are considered necessary for repairs. Other common parts, such as resistors and capacitors, are listed in the "Common List for Service Parts" from which these parts should be selected and stocked.
2. The Recommended Spare Parts List shows those parts in the Parts List which are considered particularly important for service.
3. Parts not shown in the Parts List and "Common List for Service Parts" will not in principle be supplied.
4. How to read the Parts List.

a) Mechanism Block

2. HEAD BASE BLOCK

Ref. No.	Part No.	Description
1	BH-T2023A320A	HEAD BASE BLOCK
2	HP-H2206A010A	HEAD R/P PR4-8FU C
3	ZS-477876	PAN20×03STL CMT
4	ZS-536488	BID20×08STL CMT
5	ZG-402895	SP CS ANGLE ADJUST

↑
 ↑
 SP (Service Parts) Classification
 This number corresponds with the individual parts index number in that figure.

b) PC Board

6. MAIN PC BOARD

Ref. No.	Part No.	Description
IC1	EI-324536	IC HD14049BP
IC2	EI-336801	IC MB8841-564M
C1A	EC-338399	C MMY V 223M 250AC [U,EB,S]
C1B	EC-350949	C MMY V 223M 250DC [J]
C1C	EC-338397	C MMY V 223M 125AC [C,A]
X1	EI-318384	OSC X'TAL NC-18C

↑
 ↑
 Symbols for primary destination
 [A]: AAL (U.S.A) [S]: SAA (Australia)
 [B]: BEAB (England) [U]: U/T (Universal Area)
 [C]: CSA (Canada)
 [E]: CEE (Europe) [V]: VDE (Germany)
 [J]: JPN (Japan) [Y]: Custom Version
 ↑
 SP (Service Parts) Classification
 These reference symbols correspond with component symbols in the Schematic Diagrams.

The available PC Board Blocks are listed separately.

5. When Part No. is known, Parts Index at end of Parts List can be used to locate where that part is shown in Parts List by its Reference No. listed at right of Part No.

WARNING

△ (*) INDICATES SAFETY CRITICAL COMPONENTS. FOR CONTINUED SAFETY, REPLACE SAFETY CRITICAL COMPONENTS ONLY WITH MANUFACTURE'S RECOMMENDED PARTS.

AVERTISSEMENT

△ (*) IL INDIQUE LES COMPOSANTS CRITIQUES DE SÉCURITÉ. POUR MAINTENIR LE DEGRÉ DE SÉCURITÉ DE L'APPAREIL, NE REMPLACER QUE DES PIÈCES RECOMMANDÉES PAR LE FABRICANT.

1. RECOMMENDED SPARE PARTS

We suggest you to stock the following Recommended Spare Part items listed below since they can cover most of the routine service.

Ref.No.	Part No.	Description
1	AX-403443J1	REMOCON RC-A57 [AM-57]
2	AX-403444J1	REMOCON RC-A67 [AM-67]
3	*BT-403428J	TRANS POW A2071 B [B][AM-57]
4	*BT-403427J	TRANS POW A2071 EV [E,V][AM-57]
5	*BT-403430J	TRANS POW A2072 B [B][AM-67]
6	*BT-403429J	TRANS POW A2072 EV [E,V][AM-67]
7	*EC-368118	C DBL LAYER EECS5R5H 224 5.5DC
8	EC-381263J	C EC V SNP 103M 63.0DC
9	ED-403436J	D LED SLR-33VC70F80 RED T05
10	ED-403987J	D LED SLR33MC3F GREEN [POWER LED]
11	ED-400680J	D LED SLR33MC70F80 GREEN T05
12	*ED-379981J	D SILICON EG01LF-F4 F10 400/0.7A
13	ED-348990	D SILICON H DS446
14	ED-344280	D SILICON H GMA-01-FY2 F05
15	ED-624903	D SILICON H 1S2473
16	*ED-384278J	D SILICON RBV602 200/6.0A
17	*ED-370990	D SILICON 1SR35-100AHS F10
18	ED-388120J	D ZENER H HZS3B1
19	*ED-346557	D ZENER H HZ12A3L
20	*ED-330218	D ZENER H HZ15-2L
21	*ED-346567	D ZENER H HZ16-1L
22	ED-310607	D ZENER H HZ18 2
23	*ED-324013	D ZENER H HZ20 2
24	ED-330219	D ZENER H HZ20-2L
25	*ED-377933	D ZENER H HZ27-3LFA F10
26	*ED-346583	D ZENER H HZ30-3L
27	*ED-309959	D ZENER H HZ5 C3 [AM-67]
28	ED-343410	D ZENER H HZ6A1L
29	ED-346525	D ZENER H HZ6A3L
30	*ED-346529	D ZENER H HZ6C2L
31	*EF-359007	FUSE BET T 250V 1.25A
32	*EF-355399	FUSE BET T 250V 5.00A [AM-57]
33	*EF-355374	FUSE BET T 250V 500MA
34	*EF-359517	FUSE BET T 250V 6.30A [AM-67]
35	EI-403431J	IC LC66404 4702 AM67AP1
36	EI-403530J	IC LC7822N
37	EI-393323J	IC M5218AL-771
38	EI-393326J	IC M5218AP-721
39	EI-348785	IC M5220L
40	EI-362587	IC M5238L
41	EI-403498J	IC PCM67P
42	EI-390063J	IC PD0037
43	EI-403437J	IC SM-5840AP
44	EI-360040J1	IC TC74HCU04AP
45	EI-354080	IC UPC1237H
46	EI-396490J	OSC CE CST4.00MGW-TF01 T05
47	EJ-394459J	SOCKET OPTICAL GP1F32R
48	EJ-394490J	SOCKET OPTICAL GP1F32T
49	*EO-332116	COIL FIX 2 103AK-006A 2R2K
50	EQ-403529J	RELAY POW 12S MBU524UL3 2NO12V
51	EQ-400957J	RELAY SIG RY12W-OH-K 2TR 12V
52	*ER-341493	R FUSE H S10 ERD2FC 1/4W 1001G
53	*ER-326169	R FUSE H S10 ERD2FC 1/4W 22R0G [AM-67]
54	*ER-318248	R FUSE H S10 ERD2FC 1/4W 47R0G
55	*ER-344161	R FUSE H S10 ERD2FC 1/4W 82R0G
56	*ES-355407	SW PUSH ESB-99713V TV-8 [AM-67]
57	*ES-361970	SW PUSH SDDL B1 01-1 [AM-57]
58	ES-403533J	SW PUSH SPEC21 2THROW S
59	ES-403532J	SW ROTARY SRBV14 01-04N
60	ES-403531J	SW ROTARY SRBV17 01-07N
61	ES-401263J	SW ROTARY SRBV22 02-02N

Ref.No.	Part No.	Description
62	ES-396610J	SW TACT SOR-122HS T05
63	ET-403432J	DETECTOR SPS-420-1
64	ET-356336	TR DTA114ES
65	ET-353897	TR DTC114ES
66	ET-354414	TR DTC144ES [AM-67]
67	ET-321016	TR FET 2SK117 GR,BL
68	*ET-338244	TR 2SA1207 R,S
69	ET-368048	TR 2SA1208 S
70	*ET-345626	TR 2SA1248 S,T
71	*ET-385577J	TR 2SA1306 Y
72	ET-353899	TR 2SA1317 S,T,U
73	*ET-352726	TR 2SA1392 T,U
74	*ET-368757	TR 2SA1490 P,Y [AM-57]
75	*ET-390074J1	TR 2SA1491 P,Y LF118 [AM-67]
76	*ET-403527J	TR 2SA1507 S,T [AM-67]
77	ET-349705	TR 2SC2320 E,F,G
78	*ET-348830	TR 2SC2909 S,T
79	ET-368047	TR 2SC2910 S
80	*ET-345625	TR 2SC3116 S,T
81	*ET-385557J	TR 2SC3298 Y
82	ET-397160J	TR 2SC3330 R,S,T,U,V
83	ET-378524J	TR 2SC3383 S,T,U
84	*ET-368759	TR 2SC3854 P,Y [AM-57]
85	*ET-390070J1	TR 2SC3855 P,Y LF118 [AM-67]
86	*ET-403526J	TR 2SC3902 S,T
87	*ET-371028	TR 2SD1266 P,Q
88	EV-401270J	VR ROTARY RK16312 B103X2
89	EV-403534J	VR ROTARY RK1631220 SPL W104
90	EV-403537J	VR SPL RK16312MC D104X2 [AM-57]
91	EV-403535J	VR SPL RK18112MC D104X2 [AM-67]

2. P.C BOARD BLOCK

Ref.No.	Part No.	Description
1A	BA-A2071A020C	PC (#) MAIN AMP BLK AM-57 (E)
1B	BA-A2071A020D	PC (#) MAIN AMP BLK AM-57 (V)
1C	BA-A2071A020A	PC (#) MAIN AMP BLK AM-67 (E)
1D	BA-A2071A020B	PC (#) MAIN AMP BLK AM-67 (V)
2A	BA-A2071A030C	PC (#) PRE AMP BLK AM-57 (E)
2B	BA-A2071A030D	PC (#) PRE AMP BLK AM-57 (V)
2C	BA-A2071A030A	PC (#) PRE AMP BLK AM-67 (E)
2D	BA-A2071A030B	PC (#) PRE AMP BLK AM-67 (V)
3A	BA-A2071A040A	PC SYSCON BLK AM-57
3B	BA-A2071A040B	PC SYSCON BLK AM-67
4A	BA-A2072A050A	PC DAC BLK AM-67 (E) [E][AM-67]
4B	BA-A2072A050B	PC DAC BLK AM-67 (V) [V][AM-67]

PC (#) MAIN AMP BLK CONSISTS OF FOLLOWING P.C BOARD.

- MAIN AMP (A) P.C BOARD (V. AMP)
- MAIN AMP (B) P.C BOARD (I AMP)
- MAIN AMP (C) P.C BOARD (POWER)
- MAIN AMP (D) P.C BOARD (SP)
- MAIN AMP (E) P.C BOARD (FILTER)
- MAIN AMP (F) P.C BOARD (POWER SW)
- MAIN AMP (G) P.C BOARD (HEAD PHONE)
- MAIN AMP (H) P.C BOARD (THERMO L)
- MAIN AMP (J) P.C BOARD (THERMO R)

PC (#) PRE AMP BLK CONSISTS OF FOLLOWING P.C BOARD.

- PRE AMP (A) P.C BOARD (INPUT)
- PRE AMP (B) P.C BOARD (TONE CONTROL)
- PRE AMP (C) P.C BOARD (MAIN VR)
- PRE AMP (D) P.C BOARD (LED)

3. MAIN AMP (A) P.C BOARD (V AMP)

Ref.No.	Part No.	Description
D1	ED-624903	D SILICON H 1S2473
D2	ED-624903	D SILICON H 1S2473
D3	*ED-346567	D ZENER H HZ16-1L
D4	*ED-346567	D ZENER H HZ16-1L
D5	*ED-346567	D ZENER H HZ16-1L
D6	*ED-346567	D ZENER H HZ16-1L
D7	*ED-346583	D ZENER H HZ30-3L
D8	*ED-346583	D ZENER H HZ30-3L
D9	*ED-346583	D ZENER H HZ30-3L
D10	*ED-346583	D ZENER H HZ30-3L
IC1	EI-393326J	IC M5218AP-721
R10	*ER-375108	R CB H S10FLR RDS 1/4W 272J
R13	*ER-375108	R CB H S10FLR RDS 1/4W 272J
R16	*ER-378517J	R OMF H S15 FS 2W 681J
R21	*ER-378517J	R OMF H S15 FS 2W 681J
R22	*ER-324480	R CB H S10 FS RDS 1/4W 470J
R24	*ER-324480	R CB H S10 FS RDS 1/4W 470J
R29	*ER-382604J	R CB H S10FLR RDS 1/4W 390J
R32	*ER-382604J	R CB H S10FLR RDS 1/4W 390J
TR1	ET-321016	TR FET 2SK117 GR,BL
TR2	ET-368047	TR 2SC2910 S
TR3	ET-368048	TR 2SA1208 S
TR4	*ET-368048	TR 2SA1208 S
TR5	*ET-345625	TR 2SC3116 S,T
TR6	*ET-368047	TR 2SC2910 S
TR7	*ET-345626	TR 2SA1248 S,T
TR8	*ET-368048	TR 2SA1208 S
TR9	*ET-345626	TR 2SA1248 S,T
TR10	*ET-368047	TR 2SC2910 S
TR11	*ET-345625	TR 2SC3116 S,T
TR12	*ET-368048	TR 2SA1208 S
TR13	*ET-345626	TR 2SA1248 S,T
TR14	*ET-368047	TR 2SC2910 S
TR15	*ET-345625	TR 2SC3116 S,T

4. MAIN AMP (B) P.C BOARD (I AMP)

Ref.No.	Part No.	Description
C101	EC-381263J	C EC V SNP 103M 63.0DC
C102	EC-381263J	C EC V SNP 103M 63.0DC
D101	*ED-384278J	D SILICON RBV602 200/6.0A
D102	*ED-384278J	D SILICON RBV602 200/6.0A [AM-67]
D105	ED-348990	D SILICON H DS446
D106	ED-348990	D SILICON H DS446
D107	ED-348990	D SILICON H DS446
D108	ED-348990	D SILICON H DS446
D109	ED-348990	D SILICON H DS446
D110	ED-310607	D ZENER H HZ18 2
D111	ED-310607	D ZENER H HZ18 2
D112	ED-310607	D ZENER H HZ18 2
D114	ED-346567	D ZENER H HZ16-1L
D115	ED-624903	D SILICON H 1S2473
D116	ED-624903	D SILICON H 1S2473
D117	ED-624903	D SILICON H 1S2473
FR101	*ER-318248	R FUSE H S10 ERD2FC 1/4W 47R0G
FR102	*ER-318248	R FUSE H S10 ERD2FC 1/4W 47R0G
FR107	*ER-341493	R FUSE H S10 ERD2FC 1/4W 1001G
FR108	*ER-341493	R FUSE H S10 ERD2FC 1/4W 1001G
IC101	EI-354080	IC UPC1237H
L101	EO-332116	COIL FIX 2 103AK-006A 2R2K
R103	*ER-324186	R CB H S10 FS RDS 1/4W 681J
R105	*ER-355214	R OMF H S15 FS 2W 151J
R110	ER-383007J	R OMF H S12 FS 1W 1R0J
R111	ER-383007J	R OMF H S12 FS 1W 1R0J
R112	ER-383007J	R OMF H S12 FS 1W 1R0J
R113	ER-383007J	R OMF H S12 FS 1W 1R0J
R114	*ER-368226	R CT P R33+R33 5W
R115	*ER-368226	R CT P R33+R33 5W
R116	ER-400150J	R OMF H S20 FS 3W 4R7J
R117	ER-381266J	R OMF H S20 FS 3W 100J
R152	ER-381266J	R OMF H S20 FS 3W 561J
RL101	EQ-403529J	RELAY POW 12S MBU524UL3 2NO12V
RL102	EQ-403529J	RELAY POW 12S MBU524UL3 2NO12V
RL103	EQ-403529J	RELAY POW 12S MBU524UL3 2NO12V
TR101	ET-368047	TR 2SC2910 S
TR102	*ET-368047	TR 2SC2910 S
TR103	*ET-368048	TR 2SA1208 S
TR108A	*ET-368759	TR 2SC3854 P,Y [AM-57]
TR108B	*ET-390070J1	TR 2SC3855 P,Y LF118 [AM-67]
TR109A	*ET-368759	TR 2SC3854 P,Y [AM-57]
TR109B	*ET-390070J1	TR 2SC3855 P,Y LF118 [AM-67]
TR110A	*ET-368757	TR 2SA1490 P,Y [AM-57]
TR110B	*ET-390074J1	TR 2SA1491 P,Y LF118 [AM-67]
TR111A	*ET-368757	TR 2SA1490 P,Y [AM-57]
TR111B	*ET-390074J1	TR 2SA1491 P,Y LF118 [AM-67]
TR112	ET-378524J	TR 2SC3383 S,T,U
TR113	ET-368048	TR 2SA1208 S
TR114	ET-397160J	TR 2SC3330 R,S,T,U,V
TR115	ET-397160J	TR 2SC3330 R,S,T,U,V
TR116	ET-378524J	TR 2SC3383 S,T,U
TR117	ET-378524J	TR 2SC3383 S,T,U
TR118	ET-378524J	TR 2SC3383 S,T,U
TR119	ET-378524J	TR 2SC3383 S,T,U

5. MAIN AMP (C) P.C BOARD (POWER)

Ref.No.	Part No.	Description
D201	*ED-379981J	D SILICON EG01LF-F4 F10 400/0.7A
D202	*ED-379981J	D SILICON EG01LF-F4 F10 400/0.7A
D203	*ED-379981J	D SILICON EG01LF-F4 F10 400/0.7A
D204	*ED-379981J	D SILICON EG01LF-F4 F10 400/0.7A
D205	*ED-377933	D ZENER H HZ27-3LFA F10
D206	*ED-377933	D ZENER H HZ27-3LFA F10
D207	*ED-377933	D ZENER H HZ27-3LFA F10
D208	*ED-377933	D ZENER H HZ27-3LFA F10
D209	*ED-370990	D SILICON 1SR35-100AHS F10
D210	*ED-370990	D SILICON 1SR35-100AHS F10
D211	*ED-346557	D ZENER H HZ12A3L
D212	*ED-346529	D ZENER H HZ6C2L
D213	*ED-309959	D ZENER H HZ5 C3 [AM-67]
D214	*ED-370990	D SILICON 1SR35-100AHS F10 [AM-67]
D215	*ED-370990	D SILICON 1SR35-100AHS F10 [AM-67]
D216	*ED-370990	D SILICON 1SR35-100AHS F10 [AM-67]
D217	*ED-370990	D SILICON 1SR35-100AHS F10 [AM-67]
D218	*ED-346567	D ZENER H HZ16-1L [AM-67]
D219	*ED-346567	D ZENER H HZ16-1L [AM-67]
FR221	*ER-326169	R FUSE H S10 ERD2FC 1/4W 22R0G [AM-67]
FR222	*ER-326169	R FUSE H S10 ERD2FC 1/4W 22R0G [AM-67]
R205	ER-378499J	R CB H S10FLR RDS 1/4W 100J
R206	ER-378499J	R CB H S10FLR RDS 1/4W 100J
R208	*ER-382614J	R CB H S10FLR RDS 1/4W 2R2J
R209	ER-375110	R CB H S10FLR RDS 1/4W 820J
R223	*ER-365453	R OMF H S12 FS 1W 1R5J
TR201	*ET-368048	TR 2SA1208 S
TR202	*ET-368048	TR 2SA1208 S
TR203	*ET-368047	TR 2SC2910 S
TR204	*ET-368047	TR 2SC2910 S
TR205	*ET-385557J	TR 2SC3298 Y
TR206	*ET-385577J	TR 2SA1306 Y
TR207	*ET-371028	TR 2SD1266 P,Q
TR208	*ET-352726	TR 2SA1392 T,U
TR209	*ET-352726	TR 2SA1392 T,U
TR210	*ET-403526J	TR 2SC3902 S,T
TR211	*ET-352726	TR 2SA1392 T,U [AM-67]
TR212	*ET-403527J	TR 2SA1507 S,T [AM-67]
TR213	*ET-371028	TR 2SD1266 P,Q [AM-67]
TR214	ET-352726	TR 2SA1392 T,U [AM-67]
TR215	*ET-352726	TR 2SA1392 T,U [AM-67]
TR216	ET-378524J	TR 2SC3383 S,T,U [AM-67]
TR217	*ET-378524J	TR 2SC3383 S,T,U [AM-67]
TR218	*ET-345625	TR 2SC3116 S,T [AM-67]
TR219	*ET-345626	TR 2SA1248 S,T [AM-67]
TR220	*ET-378524J	TR 2SC3383 S,T,U
F2	*EF-355374	FUSE BET T 250V 500MA
F3	*EF-355374	FUSE BET T 250V 500MA
F4	*EF-359007	FUSE BET T 250V 1.25A
F5	*EF-359007	FUSE BET T 250V 1.25A

6. MAIN AMP (D) P.C BOARD (SP)

Ref.No.	Part No.	Description
TM301	EJ-404095J	TERMINAL W/SCREW LTS2810-1001R

7. MAIN AMP (E) P.C BOARD (FILTER)

Ref.No.	Part No.	Description
L401	*EO-332116	COIL FIX 2 103AK-006A 2R2K
L402	*EO-332116	COIL FIX 2 103AK-006A 2R2K
F1A	*EF-355399	FUSE BET T 250V 5.00A [AM-57]
F1B	*EF-359517	FUSE BET T 250V 6.30A [AM-67]

8. MAIN AMP (F) P.C.BOARD (POWER SW)

Ref.No.	Part No.	Description
C501	*EC-338496	C CE V DE7 FZ 472P 400AC
SW501A	*ES-361970	SW PUSH SDDL1 01-1 [AM-57]
SW501B	*ES-355407	SW PUSH ESB-99713V TV-8 [AM-67]

9. MAIN AMP (G) P.C BOARD (HEAD PHONE)

Ref.No.	Part No.	Description
J601	EJ-391132J	PHONE J 3P YKB24-5162 GP 6.3

10. MAIN AMP (H) P.C BOARD (THERMO L)

Ref.No.	Part No.	Description
TR104	*ET-378524J	TR 2SC3383 S,T,U
TR105	*ET-352726	TR 2SA1392 T,U
TR106	*ET-403526J	TR 2SC3902 S,T
TR107	*ET-403527J	TR 2SA1507 S,T

11. MAIN AMP (J) P.C BOARD (THERMO R)

Ref.No.	Part No.	Description
TR104	*ET-378524J	TR 2SC3383 S,T,U
TR105	*ET-352726	TR 2SA1392 T,U
TR106	*ET-403526J	TR 2SC3902 S,T
TR107	*ET-403527J	TR 2SA1507 S,T

12. PRE AMP (A) P.C BOARD (INPUT)

Ref.No.	Part No.	Description
D1	ED-330219	D ZENER H HZ20-2L
D2	ED-330219	D ZENER H HZ20-2L
D3	ED-346567	D ZENER H HZ16-1L
D4	ED-346567	D ZENER H HZ16-1L
D5	ED-624903	D SILICON H 1S2473
D6	ED-624903	D SILICON H 1S2473
D7	ED-388120J	D ZENER H HZS3B1
D8	ED-388120J	D ZENER H HZS3B1
IC1	EI-348785	IC M5220L
IC2	EI-403530J	IC LC7822N
IC3	EI-403530J	IC LC7822N
J1	EJ-364546	PIN J YKC21-0070A P 2P
J2	EJ-390102J	PIN J YKC21-0045A 6P
J3	EJ-390102J	PIN J YKC21-0045A 6P
J4	EJ-390102J	PIN J YKC21-0045A 6P
TR1	ET-378524J	TR 2SC3383 S,T,U
TR2	ET-378524J	TR 2SC3383 S,T,U
TR3	ET-378524J	TR 2SC3383 S,T,U [AM-57]
TR4	ET-378524J	TR 2SC3383 S,T,U
TR5	ET-378524J	TR 2SC3383 S,T,U

13. PRE AMP (B) P.C BOARD (TONE CONTROL)

Ref.No.	Part No.	Description
D101	*ED-330218	D ZENER H HZ15-2L
D102	*ED-330218	D ZENER H HZ15-2L
D103	ED-624903	D SILICON H 1S2473
D104	ED-624903	D SILICON H 1S2473
D105	ED-624903	D SILICON H 1S2473
D106	ED-370990	D SILICON 1SR35-100AHS F10
D108	*ED-324013	D ZENER H HZ20 2
D109	*ED-324013	D ZENER H HZ20 2
D110	*ED-324013	D ZENER H HZ20 2
D111	*ED-324013	D ZENER H HZ20 2
D112	*ED-324013	D ZENER H HZ20 2
D113	*ED-324013	D ZENER H HZ20 2
D114	*ED-324013	D ZENER H HZ20 2
D115	*ED-324013	D ZENER H HZ20 2
IC101	EI-393323J	IC M5218AL-771
IC102	EI-393323J	IC M5218AL-771
RL101	EQ-400957J	RELAY SIG RY12W-OH-K 2TR 12V
SW101	ES-403531J	SW ROTARY SRBV17 01-07N
SW102	ES-401263J	SW ROTARY SRBV22 02-02N
SW103	ES-403532J	SW ROTARY SRBV14 01-04N
SW104	ES-403533J	SW PUSH SPEC21 2THROW S
TR101	ET-321016	TR FET 2SK117 GR,BL
TR102	ET-321016	TR FET 2SK117 GR,BL
TR103	*ET-338244	TR 2SA1207 R,S
TR104	*ET-338244	TR 2SA1207 R,S
TR105	*ET-348830	TR 2SC2909 S,T
TR106	*ET-348830	TR 2SC2909 S,T
TR107	ET-348830	TR 2SC2909 S,T
TR108	ET-348830	TR 2SC2909 S,T
TR109	ET-348830	TR 2SC2909 S,T
TR110	ET-348830	TR 2SC2909 S,T
TR111	ET-338244	TR 2SA1207 R,S
TR112	ET-338244	TR 2SA1207 R,S
TR113	ET-338244	TR 2SA1207 R,S
TR114	ET-338244	TR 2SA1207 R,S
TR116	ET-378524J	TR 2SC3383 S,T,U
TR117	ET-378524J	TR 2SC3383 S,T,U
TR118	ET-353899	TR 2SA1317 S,T,U
TR119	ET-353899	TR 2SA1317 S,T,U
TR120	ET-397160J	TR 2SC3330 R,S,T,U,V
TR121	ET-397160J	TR 2SC3330 R,S,T,U,V
VR101	EV-401270J	VR ROTARY RK16312 B103X2
VR102	EV-401270J	VR ROTARY RK16312 B103X2
VR103	EV-403534J	VR ROTARY RK1631220 SPL W104

14. PRE AMP (C) P.C BOARD (MAIN VR)

Ref.No.	Part No.	Description
VR201A	EV-403537J	VR SPL RK16312MC D104X2 [AM-57]
VR201B	EV-403535J	VR SPL RK18112MC D104X2 [AM-67]

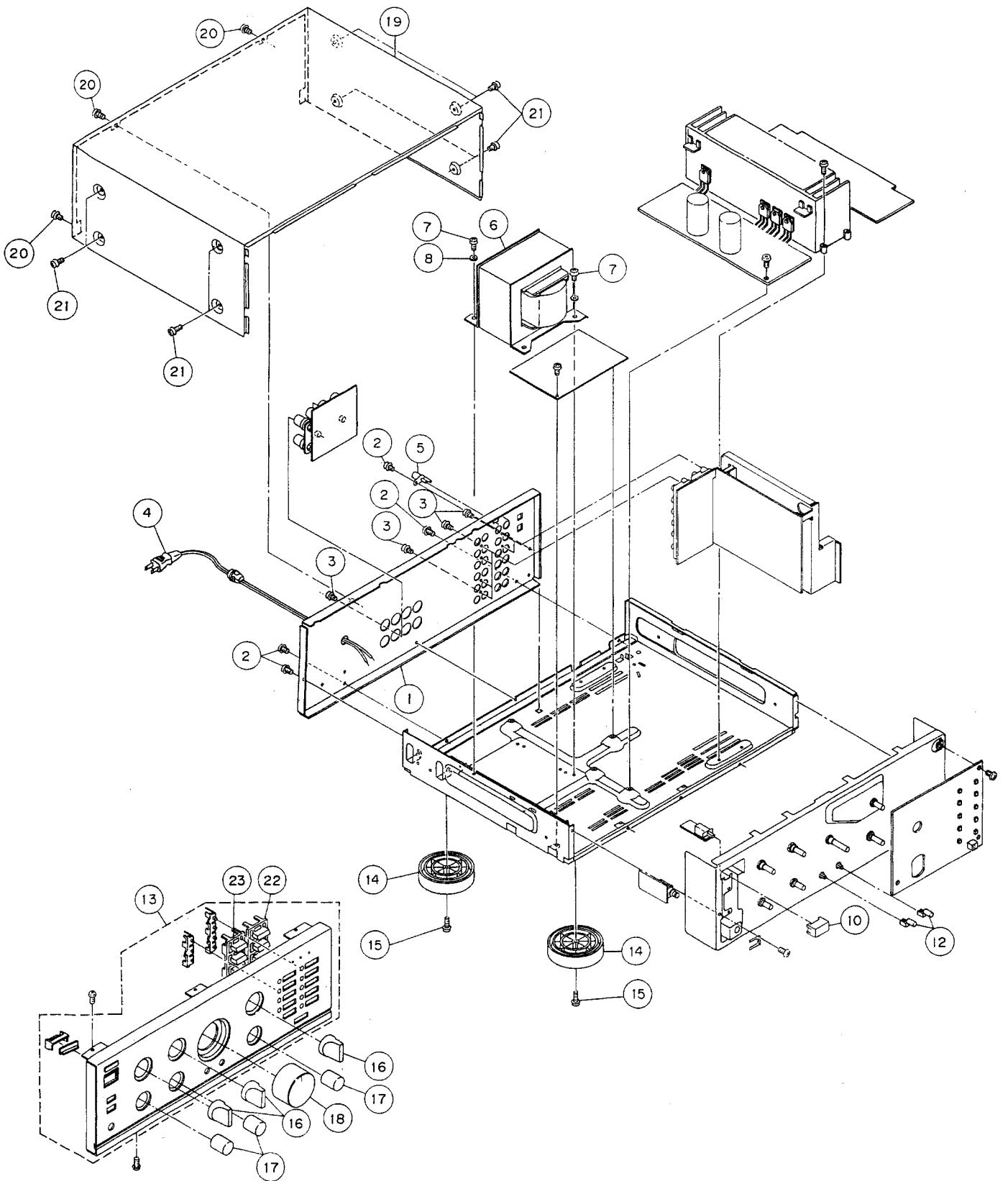
15. PRE AMP (D) P.C BOARD (LED)

Ref.No.	Part No.	Description
D301	ED-403987J	D LED SLR33MC3F GREEN [POWER LED]
D302	ED-403987J	D LED SLR33MC3F GREEN [POWER LED]

16. SYSTEM CONTROL P.C BOARD

Ref.No.	Part No.	Description
C1	*EC-368118	C DBL LAYER EECS5R5H 224 5.5DC
D1	ED-400680J	D LED SLR33MC70F80 GREEN T05
D2	ED-400680J	D LED SLR33MC70F80 GREEN T05
D3	ED-400680J	D LED SLR33MC70F80 GREEN T05
D4	ED-400680J	D LED SLR33MC70F80 GREEN T05
D5	ED-400680J	D LED SLR33MC70F80 GREEN T05
D6	ED-400680J	D LED SLR33MC70F80 GREEN T05
D7	ED-400680J	D LED SLR33MC70F80 GREEN T05
D8	ED-400680J	D LED SLR33MC70F80 GREEN T05 [AM-67]
D9	ED-400680J	D LED SLR33MC70F80 GREEN T05 [AM-67]
D10	ED-400680J	D LED SLR33MC70F80 GREEN T05 [AM-67]
D11	ED-400680J	D LED SLR33MC70F80 GREEN T05 [AM-67]
D12	ED-400680J	D LED SLR33MC70F80 GREEN T05 [AM-67]
D13	ED-400680J	D LED SLR33MC70F80 GREEN T05 [AM-67]
D14	ED-403436J	D LED SLR-33VC70F80 RED T05
D15	ED-624903	D SILICON H 1S2473
D16	ED-624903	D SILICON H 1S2473
D17	ED-624903	D SILICON H 1S2473
D18	ED-624903	D SILICON H 1S2473 [AM-67]
D19	ED-624903	D SILICON H 1S2473 [AM-67]
IC1	EI-403431J	IC LC866404 4702 AM67AP1
PH1	ET-403432J	DETECTOR SPS-420-1
TR1	ET-353897	TR DTC114ES
TR2	ET-356336	TR DTA114ES
TR3	ET-353899	TR 2SA1317 S,T,U [AM-67]
TR4	ET-354414	TR DTC144ES [AM-67]
TS1	ES-396610J	SW TACT SOR-122HS T05
TS2	ES-396610J	SW TACT SOR-122HS T05
TS3	ES-396610J	SW TACT SOR-122HS T05
TS4	ES-396610J	SW TACT SOR-122HS T05
TS5	ES-396610J	SW TACT SOR-122HS T05
TS6	ES-396610J	SW TACT SOR-122HS T05
TS7	ES-396610J	SW TACT SOR-122HS T05
TS8	ES-396610J	SW TACT SOR-122HS T05 [AM-67]
TS9	ES-396610J	SW TACT SOR-122HS T05 [AM-67]
TS10	ES-396610J	SW TACT SOR-122HS T05 [AM-67]
X1	EI-396490J	OSC CE CST4.00MGW-TF01 T05

FINAL ASSEMBLY BLOCK



PARTS LIST

17. DAC P.C BOARD (AM-67)

Ref.No.	Part No.	Description
D1	ED-344280	D SILICON H GMA-01-FY2 F05
D2	ED-344280	D SILICON H GMA-01-FY2 F05
D3	ED-344280	D SILICON H GMA-01-FY2 F05
D4	ED-346525	D ZENER H HZ6A3L
D5	ED-346525	D ZENER H HZ6A3L
D6	ED-343410	D ZENER H HZ6A1L
IC1	EI-360040J1	IC TC74HCU04AP
IC2	EI-390063J	IC PD0037
IC3	EI-403437J	IC SM-5840AP
IC4	EI-403498J	IC PCM67P
IC5	EI-362587	IC M5238L
IC6	EI-362587	IC M5238L
J3	EJ-390086J	PIN J T6180-BAAA ORANGE 2P
J4	EJ-394490J	SOCKET OPTICAL GP1F32T
J5	EJ-394459J	SOCKET OPTICAL GP1F32R
L1	EO-403342J	COIL FIX 1 LAP02 F05 4R7K
L2	EO-403342J	COIL FIX 1 LAP02 F05 4R7K
FR20	*ER-344161	R FUSE H S10 ERD2FC 1/4W 82R0G
FR120	*ER-344161	R FUSE H S10 ERD2FC 1/4W 82R0G
TR1	ET-353897	TR DTC114ES
TR2	ET-354414	TR DTC144ES
TR3	ET-353897	TR DTC114ES
TR4	ET-349705	TR 2SC2320 E,F,G
TR5	ET-349705	TR 2SC2320 E,F,G
TR6	ET-378524J	TR 2SC3383 S,T,U
TR7	ET-354414	TR DTC144ES
TR8	ET-356336	TR DTA114ES
TR106	ET-378524J	TR 2SC3383 S,T,U

18. FINAL ASSEMBLY BLOCK

Ref.No.	Part No.	Description
1A	SP-403081J	PANEL REAR AM-57 (E)
1B	SP-403082J	PANEL REAR AM-57 (V)
1C	SP-403083J	PANEL REAR AM-57 (B)
1D	SP-403084J	PANEL REAR AM-67 (E)
1E	SP-403085J	PANEL REAR AM-67 (V)
1F	SP-403087J	PANEL REAR AM-67 (B)
2	ZS-385394J	ST BID30X06STL COP E.LOK C.PK4
3	ZS-359226	T2BR30X10STL BZN PROJECTION
4A	*EW-363670	AC CORD200 0364 LCFL B150 A FV [E,V]
4B	*EW-363682	AC CORD200 LCFL B150 A B [B]
5	EJ-329610	TERMINAL W/SCREW UB-0067 L 1P
6A	*BT-403427J	TRANS POW A2071 EV [E,V][AM-57]
6B	*BT-403428J	TRANS POW A2071 B [B][AM-57]
6C	*BT-403429J	TRANS POW A2072 EV [E,V][AM-67]
6D	*BT-403430J	TRANS POW A2072 B [B][AM-67]
7	ZS-346742	ST BID40X08STL CMT CUP
8	ZW-274026	SW50
10	SK-373236B	KNOB POWER-B
10-G	SK-373236A	KNOB POWER-G
12	SK-402898J	BUTTON PUSH-B
12-G	SK-402899J	BUTTON PUSH-G
13A	BD-A2071A060C	PANEL FRONT BLK AM-57-B
13A-G	BD-A2071A060D	PANEL FRONT BLK AM-57-G
13B	BD-A2071A060A	PANEL FRONT BLK AM-67-B
13B-G	BD-A2071A060B	PANEL FRONT BLK AM-67-G
14	SA-384105J	FOOT ROUND SHAPED (N)
15	ZS-304021	ST BID40X12STL CMT
16	SK-402589J	KNOB SELECTOR-B
16-G	SK-402590J	KNOB SELECTOR-G
17	SK-402587J	KNOB BALANCE-B
17-G	SK-402588J	KNOB BALANCE-G
18A	SK-402922J	KNOB VOLUME AM-57-B PART
18A-G	SK-402923J	KNOB VOLUME AM-57-G PART
18B	SK-402920J	KNOB VOLUME AM-67-B PART
18B-G	SK-402921J	KNOB VOLUME AM-67-G PART
19	SP-403088J	COVER UPPER-B
19-G	SP-403089J	COVER UPPER-G
20	ZS-389964J	ST BID30X08STL COP E.LOK C.PK4
21	ZS-322580	ST BID40X08STL BNI

Ref.No.	Part No.	Description
21-G	ZS-322570	ST BID40X08STL NI3
22A	SK-402902J	BUTTON INPUT (2)-B [AM-57]
22A-G	SK-402903J	BUTTON INPUT (2)-G [AM-57]
22B	SK-402900J	BUTTON INPUT (1)-B [AM-67]
22B-G	SK-402901J	BUTTON INPUT (1)-G [AM-67]
23A	SK-402904J	BUTTON INPUT (3)-B [AM-57]
23A-G	SK-402905J	BUTTON INPUT (3)-G [AM-57]
23B	SK-402900J	BUTTON INPUT (1)-B [AM-67]
23B-G	SK-402901J	BUTTON INPUT (1)-G [AM-67]

NOTE:

Parts will not be supplied if they are not listed in the parts list, even if they appear on the assembling illustrations with reference No.

19. ACCESSORY

Ref.No.	Part No.	Description
1A	AX-403443J1	REMOCON RC-A57 [AM-57]
1B	AX-403444J1	REMOCON RC-A67 [AM-67]

ABBREVIATIONS (AMPLIFIER)

ABBREVIATION	EXPLANATION
A	Analog
AC	Alternating Current
AMP	AMPLifier
CD	Compact Disc
COM	COMmon
D	Digital
D/A	Digital to Analog
DAC	Digital to Analog Converter
DAT	Digital Audio Tape recorder
DC	Direct Current
GND	GrouND
L	Left
LED	Light Emitting Diode
MC	Moving Coil
MM	Moving Magnet
PCB	Printed Circuit Board
R	Right
REG	REGulator
REC	RECord
TR	TRansistor
SW	SWitch
V.AMP	Voltage AMPlifier
V.DIS	Video DISC
VR	Variable Resistance
VTR	Video Tape Recorder

AKAI

MODEL **AM-57**

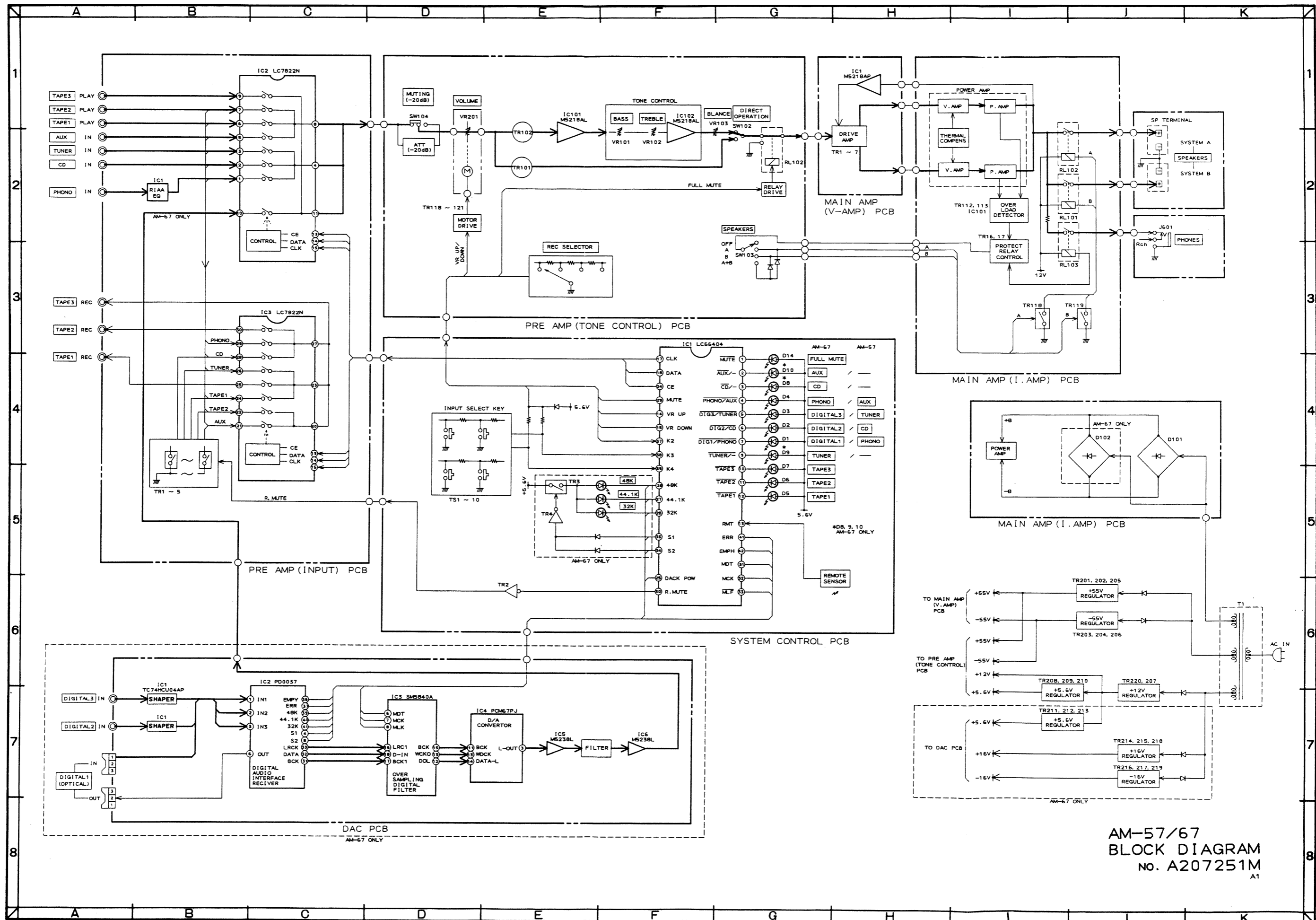
MODEL **AM-67**

SCHEMATIC DIAGRAMS AND PC BOARDS

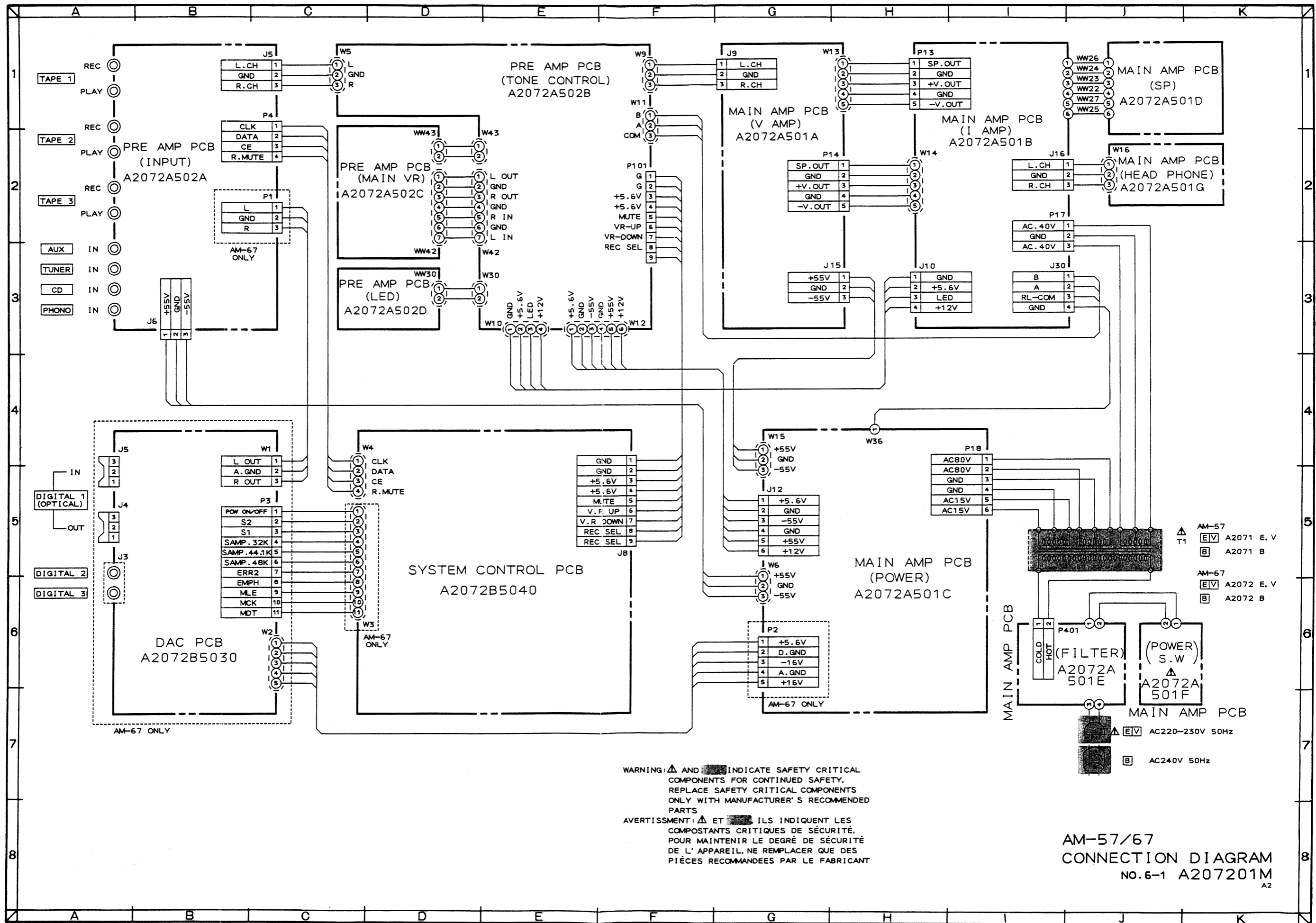
TABLE OF CONTENTS

1. BLOCK DIAGRAM	3
2. SCHEMATIC DIAGRAM	4
3. MAIN AMP (POWER) SCHEMATIC DIAGRAM	5
4. MAIN AMP (V AMP/I AMP) SCHEMATIC DIAGRAM	6
5. V AMP AND OTHER PC BOARDS	7
6. PRE AMP (INPUT/TONE CONT) SCHEMATIC DIAGRAM	8
7. INPUT AND OTHER PC BOARDS	9
8. SYSTEM CONTROL SCHEMATIC DIAGRAM	10
9. DAC SCHEMATIC DIAGRAM	12
10. INFORMATION OF ICs	14

Use the following schematic diagrams and PC boards together with the provided service manual.



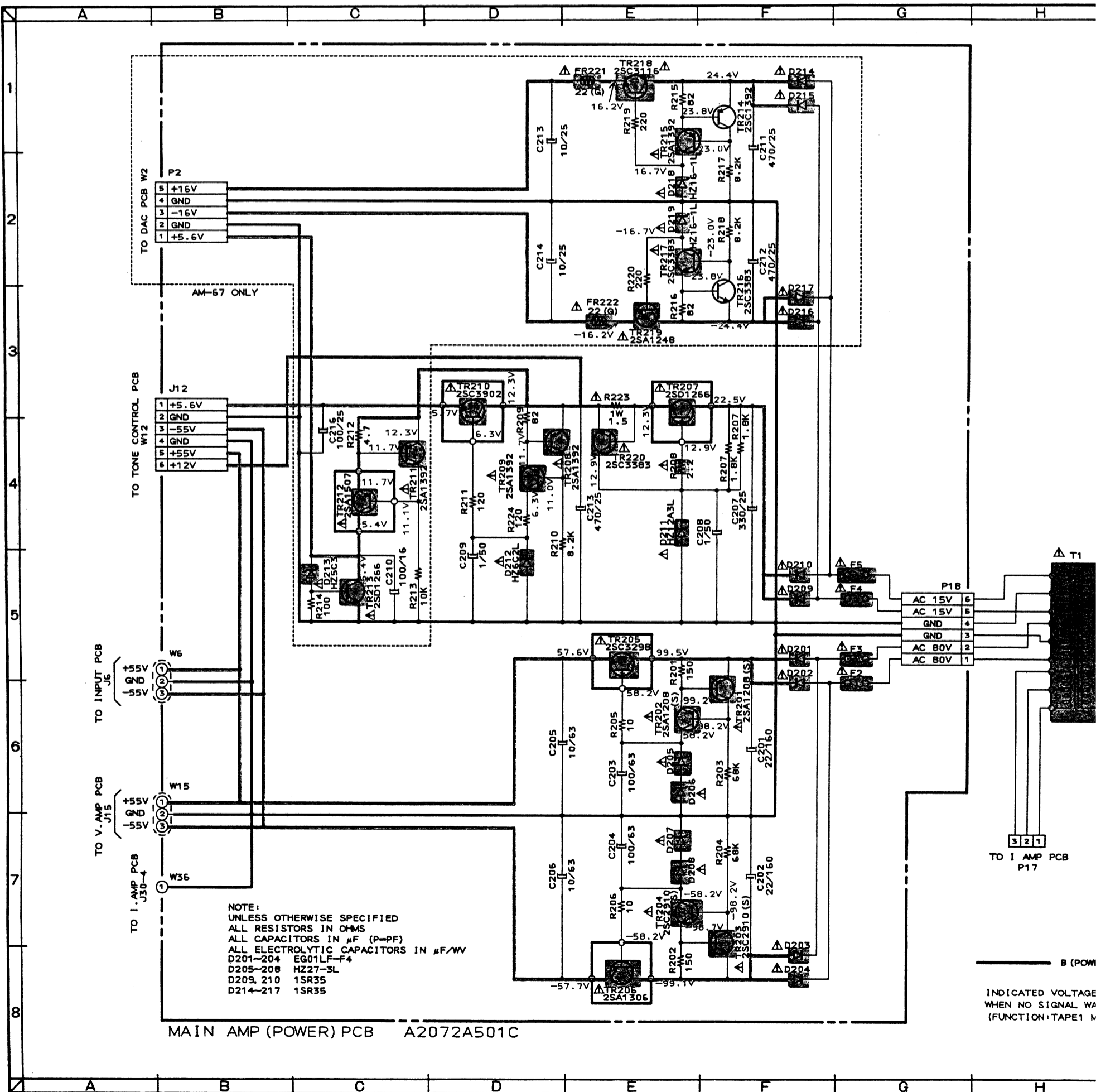
AM-57/67
 BLOCK DIAGRAM
 NO. A207251M
 A1



WARNING: Δ AND \square INDICATE SAFETY CRITICAL COMPONENTS FOR CONTINUED SAFETY, REPLACE SAFETY CRITICAL COMPONENTS ONLY WITH MANUFACTURER'S RECOMMENDED PARTS

AVERTISSEMENT: Δ ET \square ILS INDIQUENT LES COMPOSTANTS CRITIQUES DE SÉCURITÉ, POUR MAINTENIR LE DEGRÉ DE SÉCURITÉ DE L'APPAREIL, NE REMPLACER QUE DES PIÈCES RECOMMANDÉES PAR LE FABRICANT

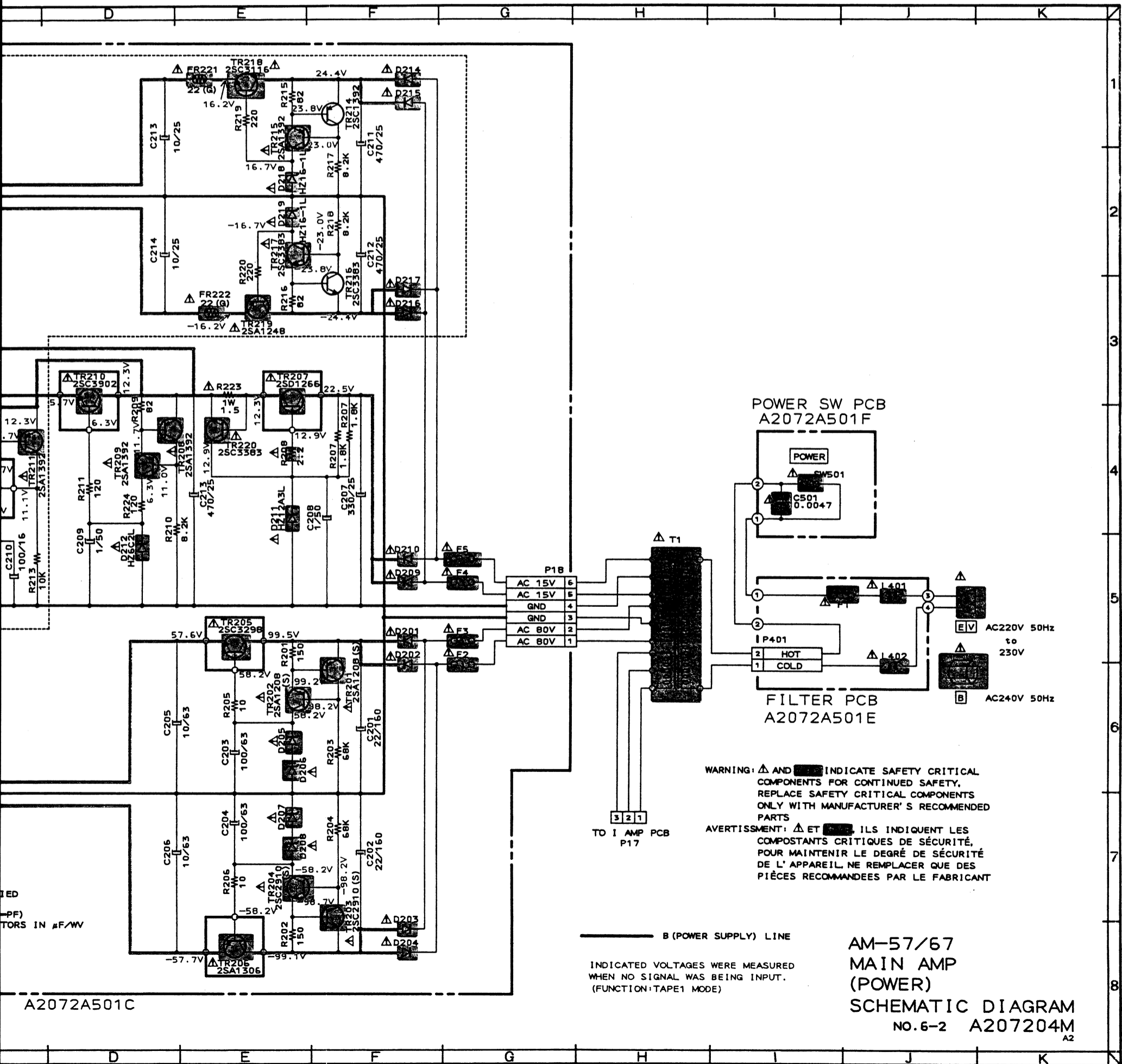
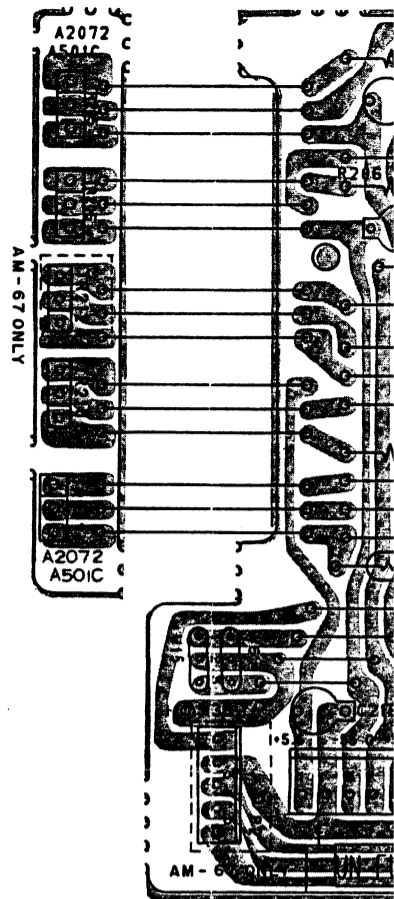
AM-57/67
 CONNECTION DIAGRAM
 No. 6-1 A207201M
 A2



NOTE:
 UNLESS OTHERWISE SPECIFIED
 ALL RESISTORS IN OHMS
 ALL CAPACITORS IN μ F (P=PF)
 ALL ELECTROLYTIC CAPACITORS IN μ F/WV
 D201-204 EG01LF-F4
 D205-208 HZ27-3L
 D209, 210 1SR35
 D214-217 1SR35

MAIN AMP (POWER) PCB A2072A501C

B (POWER)
 INDICATED VOLTAGE
 WHEN NO SIGNAL WA
 (FUNCTION: TAPE1 M

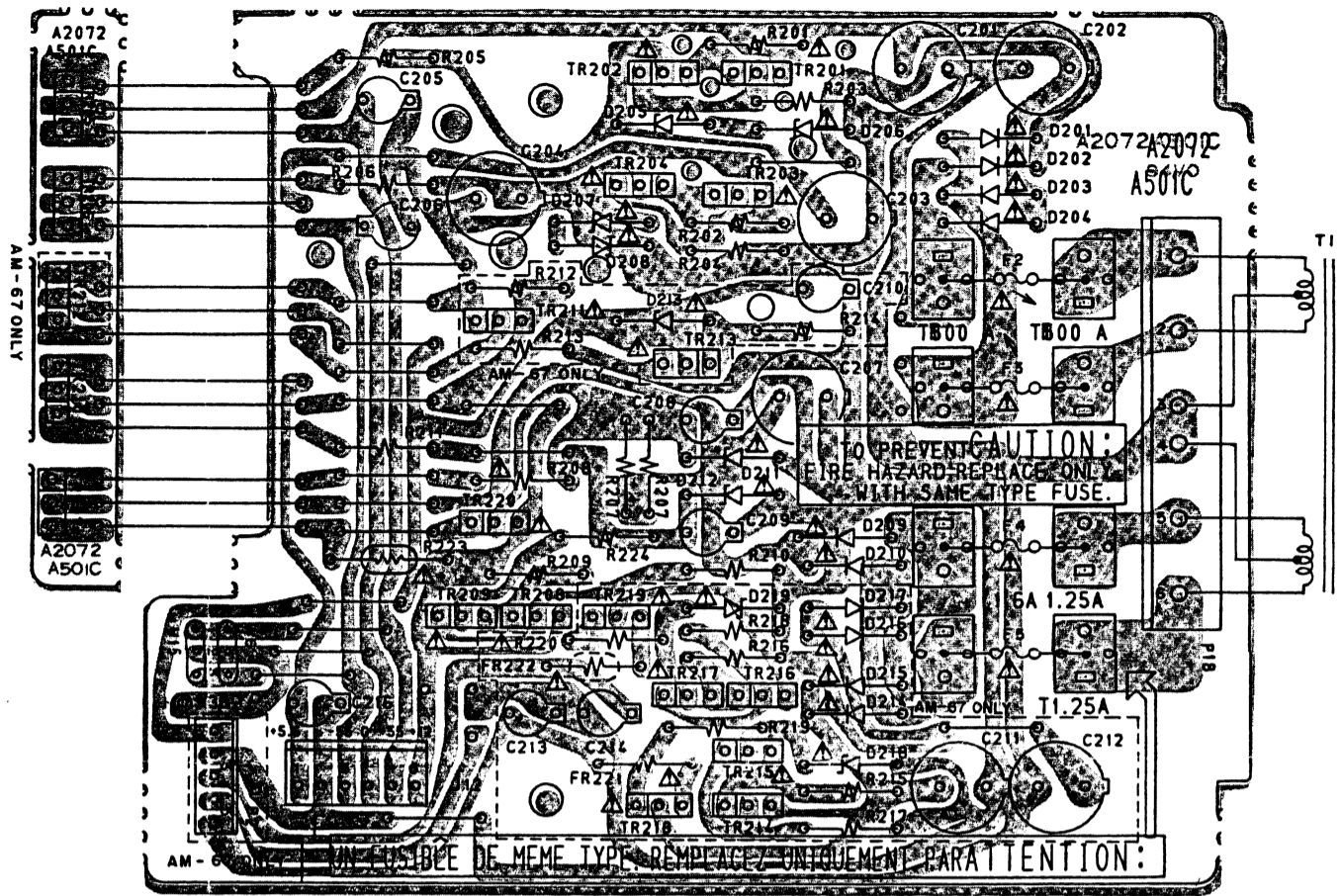


WARNING: Δ AND \square INDICATE SAFETY CRITICAL COMPONENTS FOR CONTINUED SAFETY, REPLACE SAFETY CRITICAL COMPONENTS ONLY WITH MANUFACTURER'S RECOMMENDED PARTS
 AVERTISSEMENT: Δ ET \square ILS INDIQUENT LES COMPOSTANTS CRITIQUES DE SÉCURITÉ, POUR MAINTENIR LE DEGRÉ DE SÉCURITÉ DE L'APPAREIL, NE REMPLACER QUE DES PIÈCES RECOMMANDÉES PAR LE FABRICANT

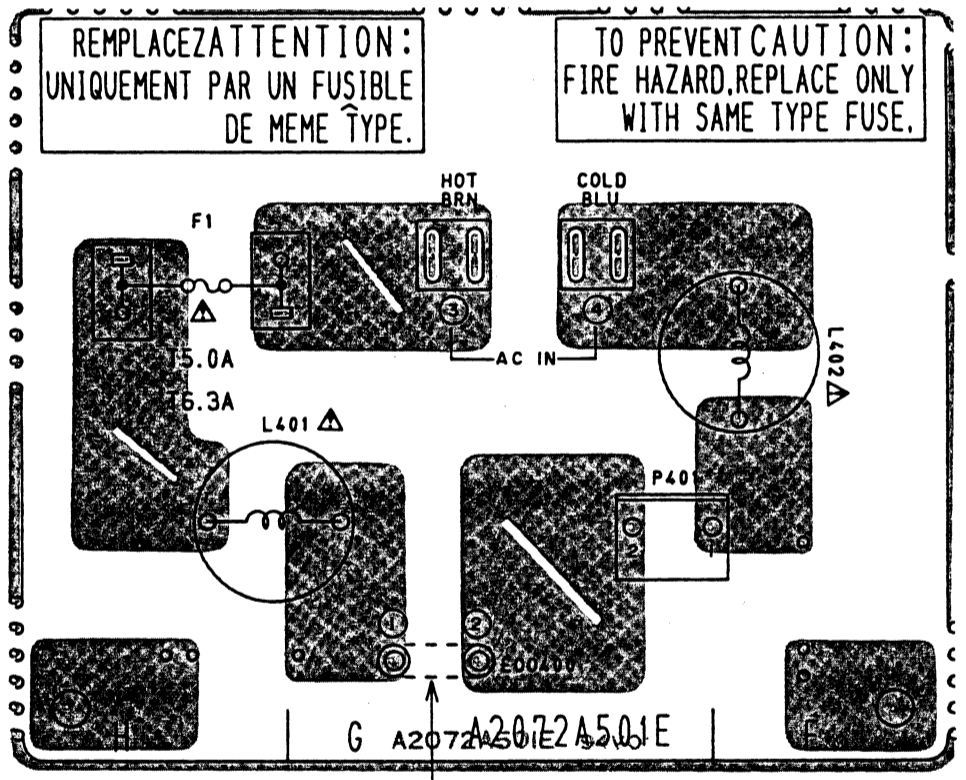
INDICATED VOLTAGES WERE MEASURED WHEN NO SIGNAL WAS BEING INPUT. (FUNCTION: TAPE1 MODE)

AM-57/67
 MAIN AMP
 (POWER)
 SCHEMATIC DIAGRAM
 NO. 6-2 A207204M
 A2

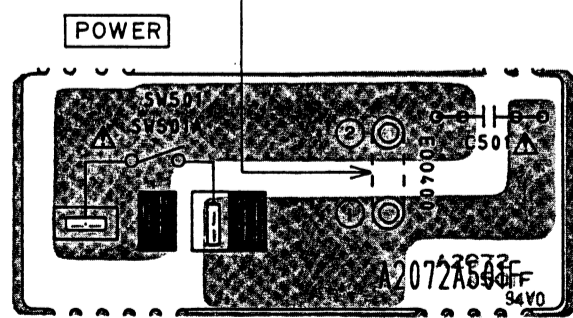
WARNING: Δ RE...
 RE...
 AVERTISSEME...
 PO...
 NE...



POWER PCB A2072A501C

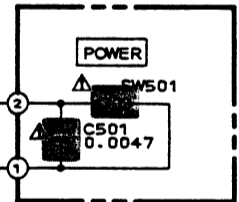


FILTER PCB A2072A501E



POWER SW PCB A2072A501F

POWER SW PCB A2072A501F

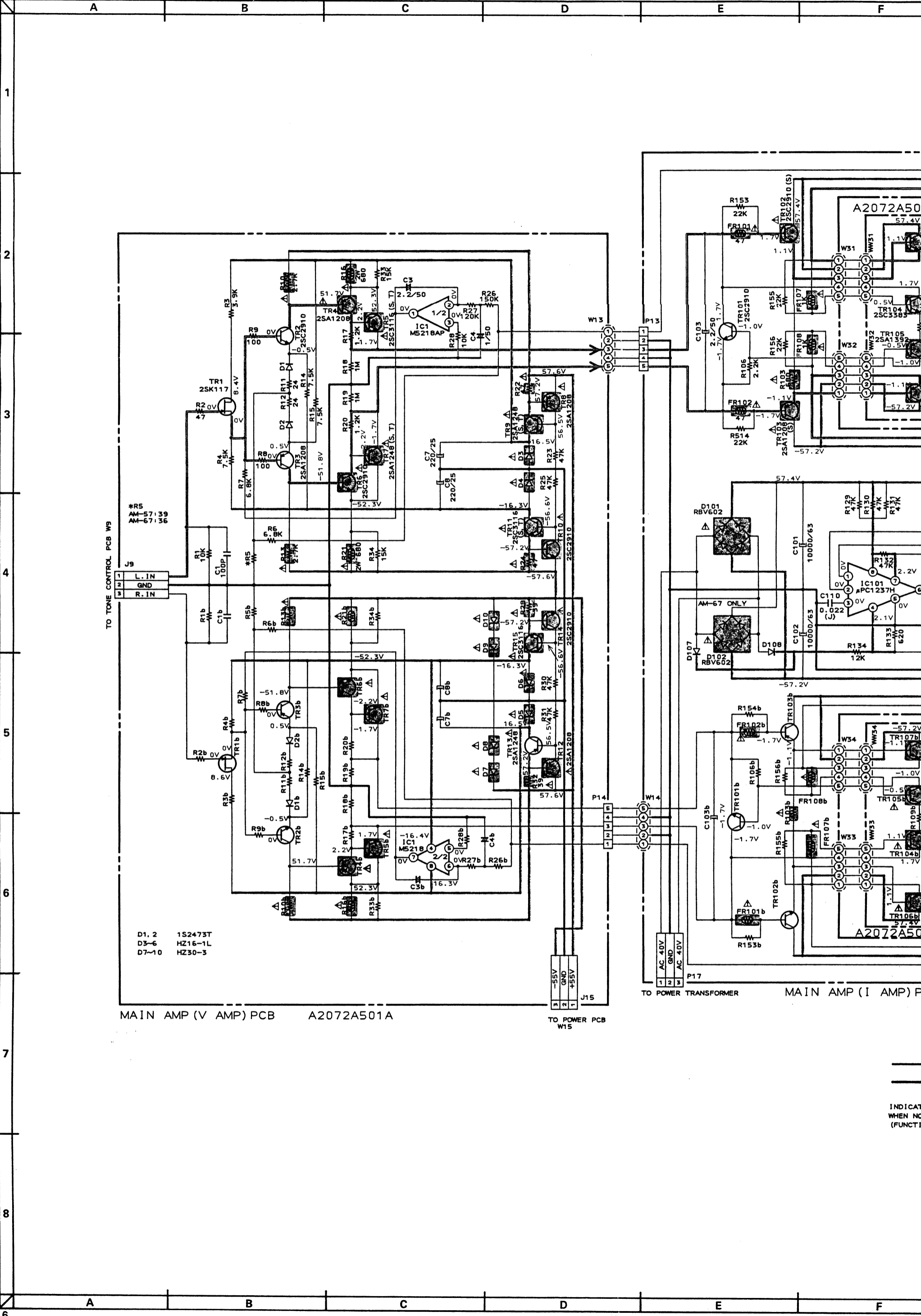


FILTER PCB A2072A501E

WARNING: Δ AND \blacksquare INDICATE SAFETY CRITICAL COMPONENTS FOR CONTINUED SAFETY. REPLACE SAFETY CRITICAL COMPONENTS ONLY WITH MANUFACTURER'S RECOMMENDED PARTS
 AVERTISSEMENT: Δ ET \blacksquare ILS INDIQUENT LES COMPOSTANTS CRITIQUES DE SÉCURITÉ. POUR MAINTENIR LE DEGRÉ DE SÉCURITÉ DE L'APPAREIL, NE REMPLACER QUE DES PIÈCES RECOMMANDÉES PAR LE FABRICANT

WARNING: Δ INDICATES SAFETY CRITICAL COMPONENTS FOR CONTINUED SAFETY. REPLACE SAFETY CRITICAL COMPONENTS ONLY WITH MANUFACTURER'S RECOMMENDED PARTS
 AVERTISSEMENT: Δ ILS INDIQUE LES COMPOSTANTS CRITIQUES DE SÉCURITÉ. POUR MAINTENIR LE DEGRÉ DE SÉCURITÉ DE L'APPAREIL, NE REMPLACER QUE DES PIÈCES RECOMMANDÉES PAR LE FABRICANT

AM-57/67
 MAIN AMP
 (POWER)
 SCHEMATIC DIAGRAM
 NO. 6-2 A207204M
 A2



TO TONE CONTROL PCB W9

#R5
 A1 57.38
 A2 57.56

D1, 2 1S2473T
 D3-6 HZ16-1L
 D7-10 HZ30-3

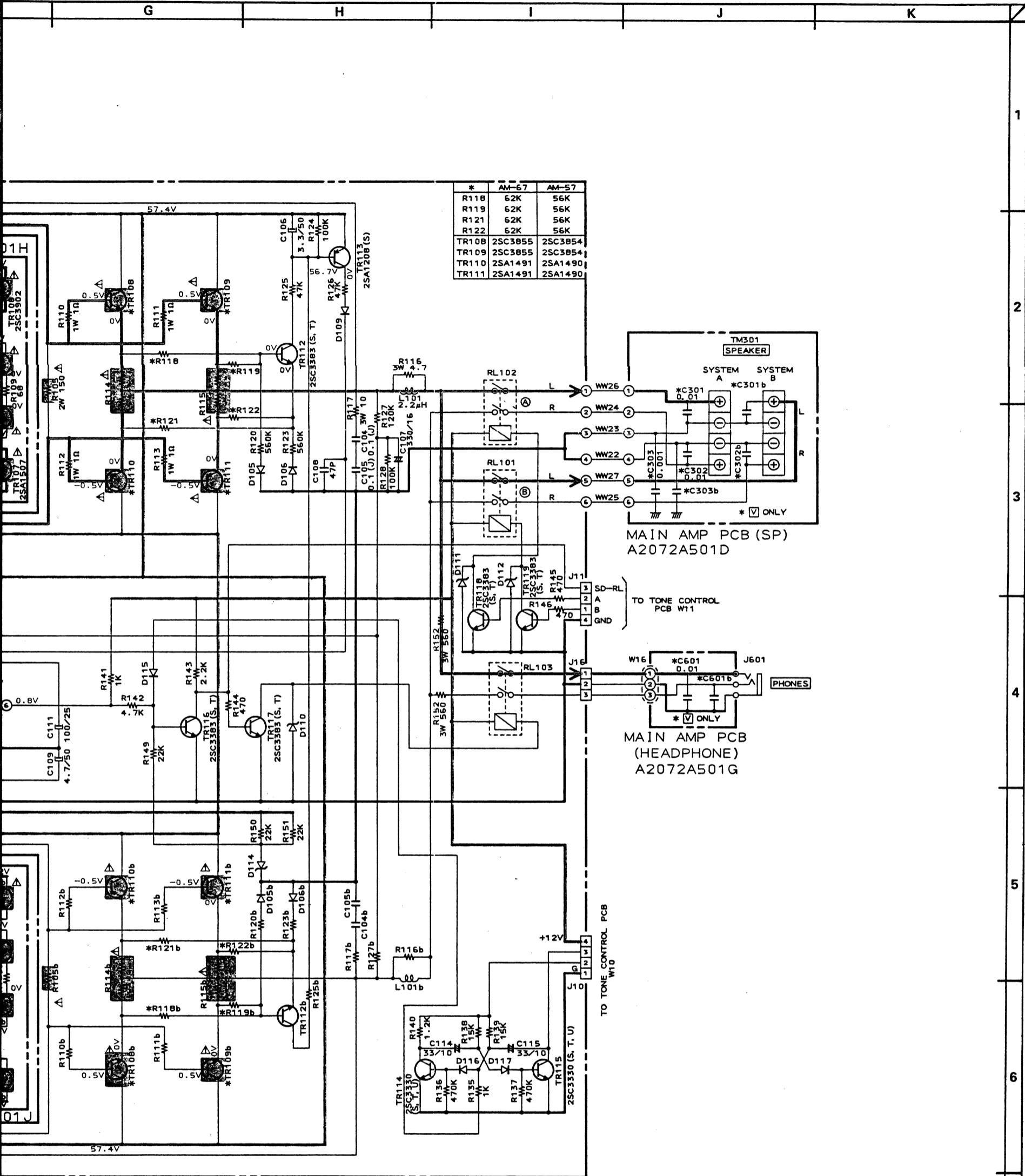
MAIN AMP (V AMP) PCB A2072A501A

TO POWER PCB W15

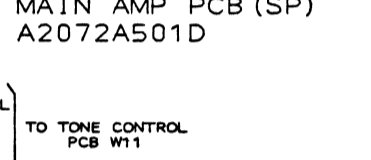
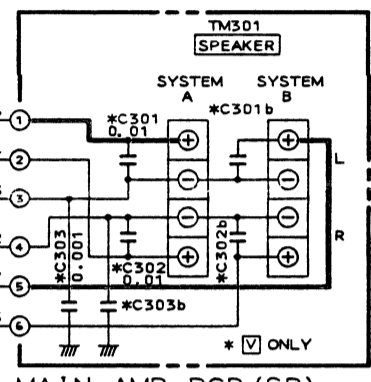
TO POWER TRANSFORMER P17

MAIN AMP (I AMP) PCB

INDICATE
 WHEN NO
 (FUNCTIO



#	AM-67	AM-57
R118	62K	56K
R119	62K	56K
R121	62K	56K
R122	62K	56K
TR108	2SC3855	2SC3854
TR109	2SC3855	2SC3854
TR110	2SA1491	2SA1490
TR111	2SA1491	2SA1490



PCB A2072A501B

WARNING: Δ AND \square INDICATE SAFETY CRITICAL COMPONENTS FOR CONTINUED SAFETY. REPLACE SAFETY CRITICAL COMPONENTS ONLY WITH MANUFACTURER'S RECOMMENDED PARTS

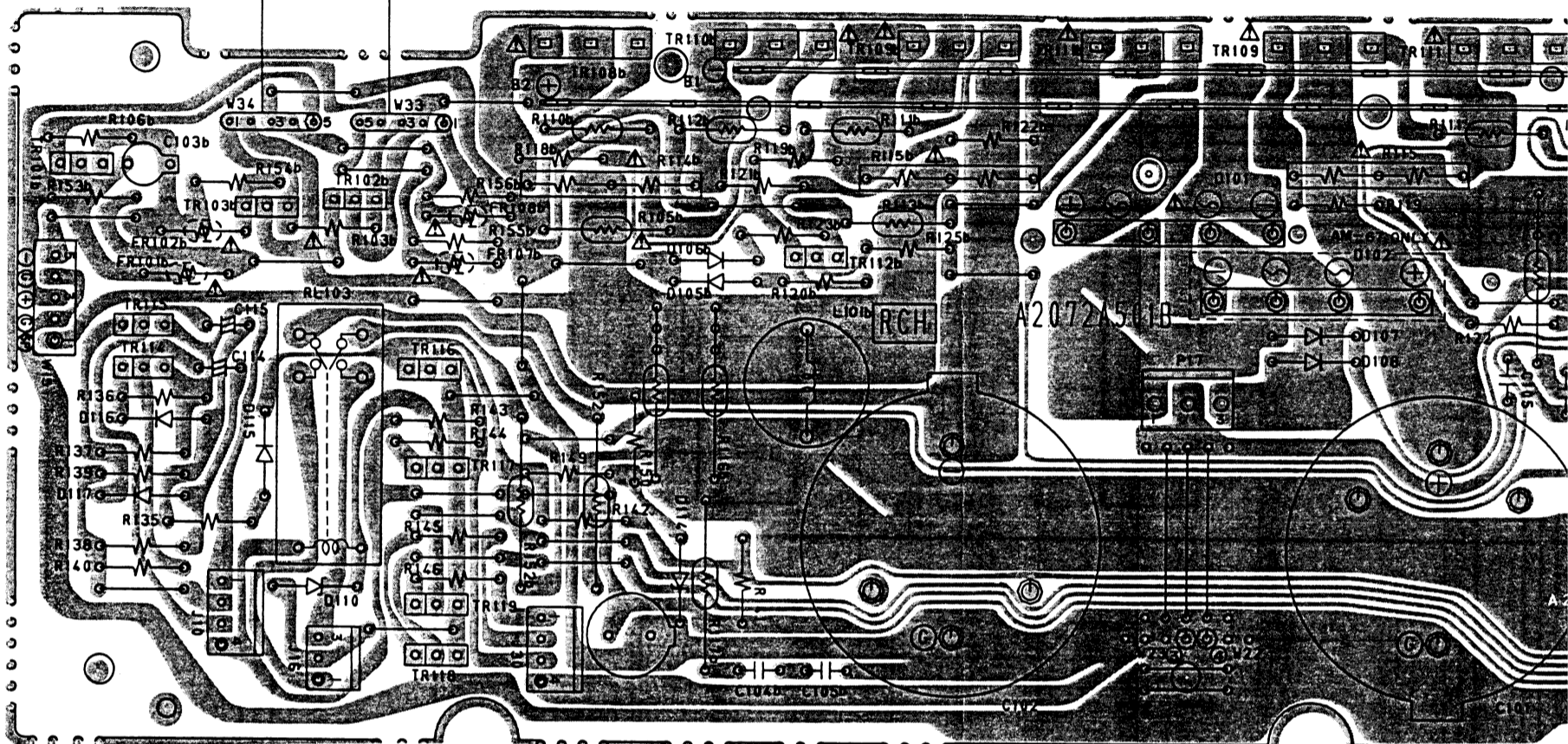
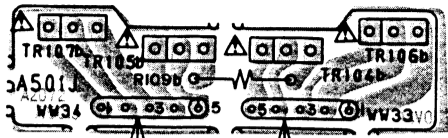
AVERTISSEMENT: Δ ET \square , ILS INDIQUENT LES COMPOSANTS CRITIQUES DE SÉCURITÉ. POUR MAINTENIR LE DEGRÉ DE SÉCURITÉ DE L'APPAREIL, NE REMPLACER QUE DES PIÈCES RECOMMANDÉES PAR LE FABRICANT

NOTE:
 UNLESS OTHERWISE SPECIFIED
 ALL RESISTORS IN OHMS
 ALL CAPACITORS IN μ F (P-PF)
 ALL ELECTROLYTIC CAPACITORS IN μ F/W

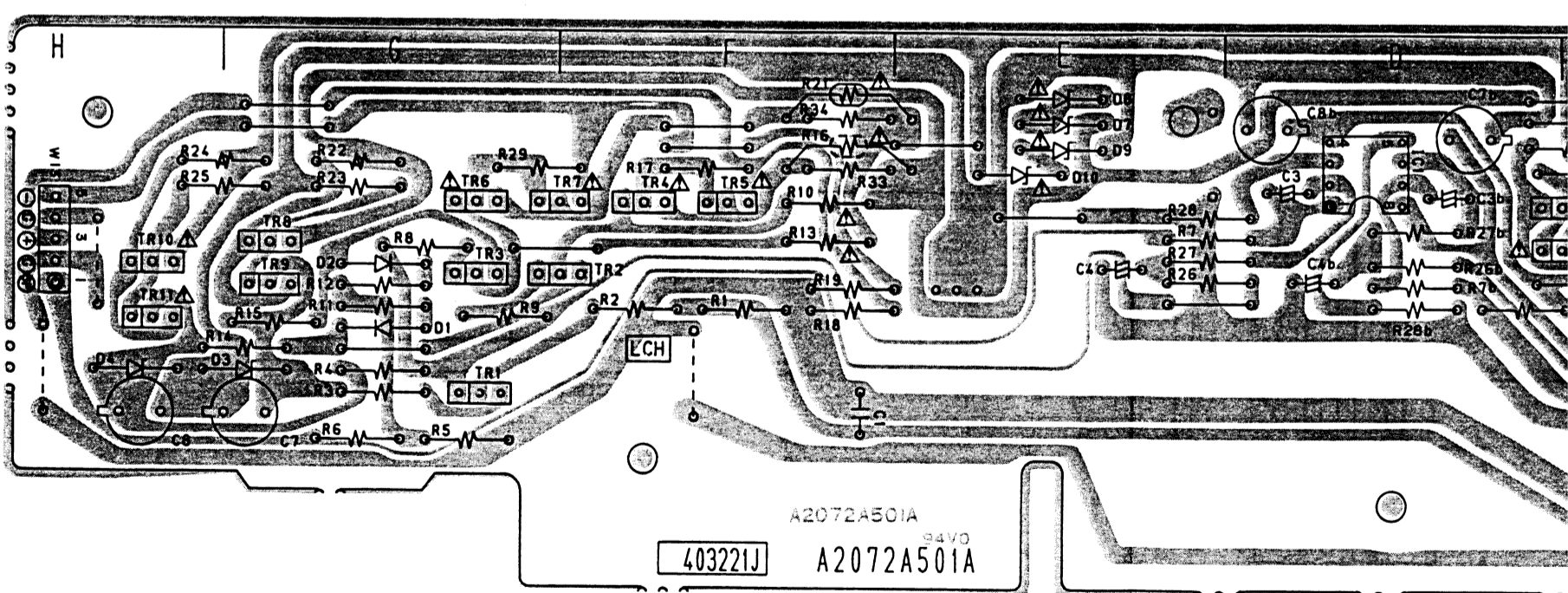
D105-109 DS446BT
 D110-112 HZ18-2
 D114 HZ16-1L
 D115-117 152473T

AM-57/67
 MAIN AMP
 (V AMP/I AMP)
 SCHEMATIC DIAGRAM
 NO.6-3 A207202M
 A1

THERMO R PCB
A2072A501J



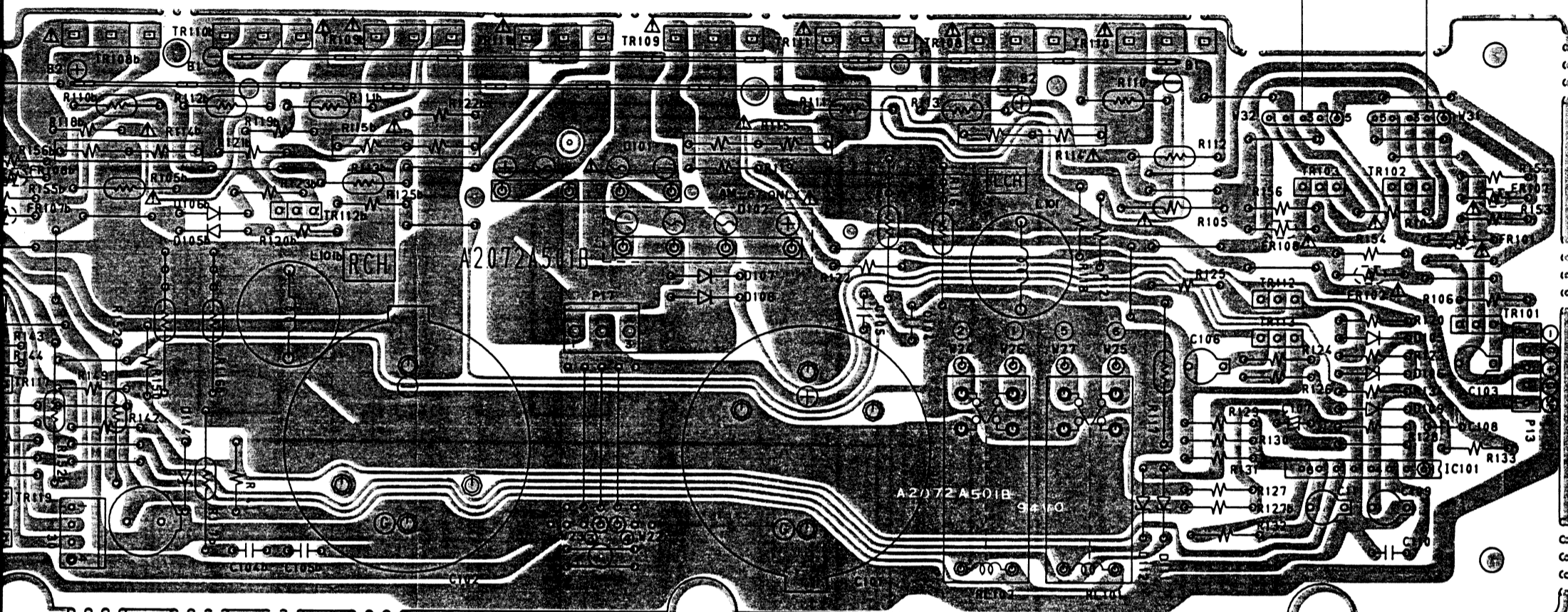
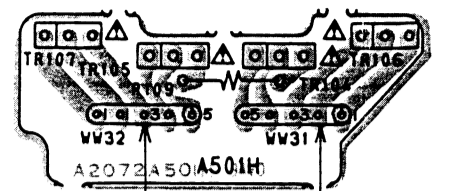
I AMP PCB A2072A501B



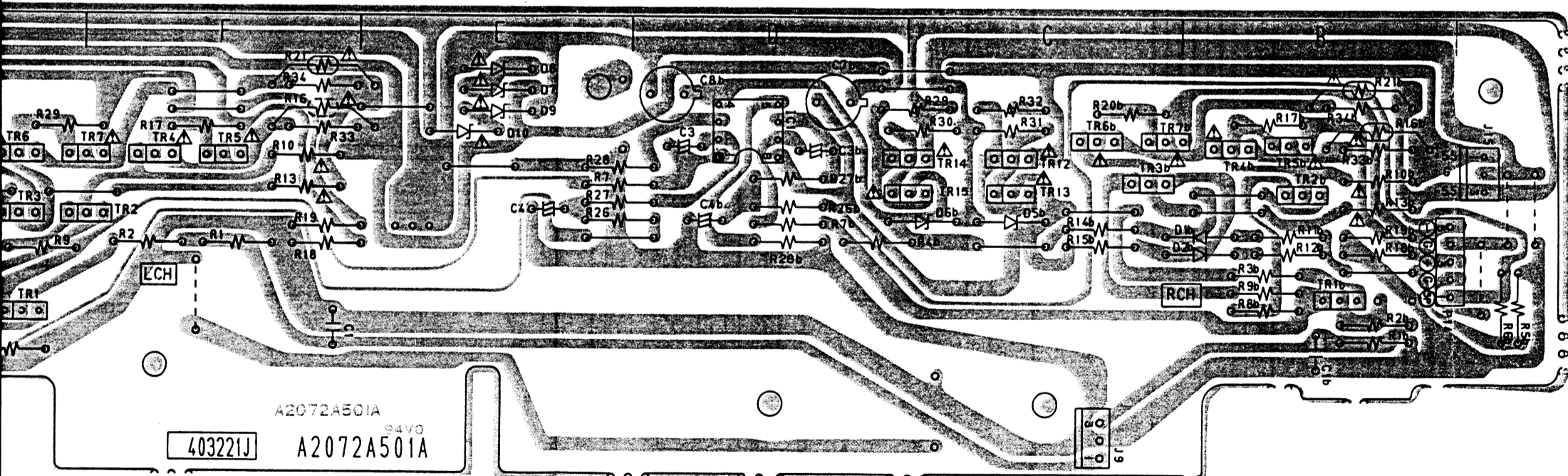
V. AMP PCB A2072A501A

WARNING: Δ INDICATES SAFETY CRITICAL COMPONENTS. FOR CONTINUED SAFETY, REPLACE SAFETY CRITICAL COMPONENTS ONLY WITH MANUFACTURER'S RECOMMENDED PARTS.
 AVERTISSEMENT: Δ IL INDIQUE LES COMPOSANTS CRITIQUES DE SÉCURITÉ. POUR MAINTENIR LE DEGRÉ DE SÉCURITÉ DE L'APPAREIL, NE REMPLACER QUE DES PIÈCES RECOMMANDÉES PAR LE FABRICANT.

THERMO L PCB
A2072A501H



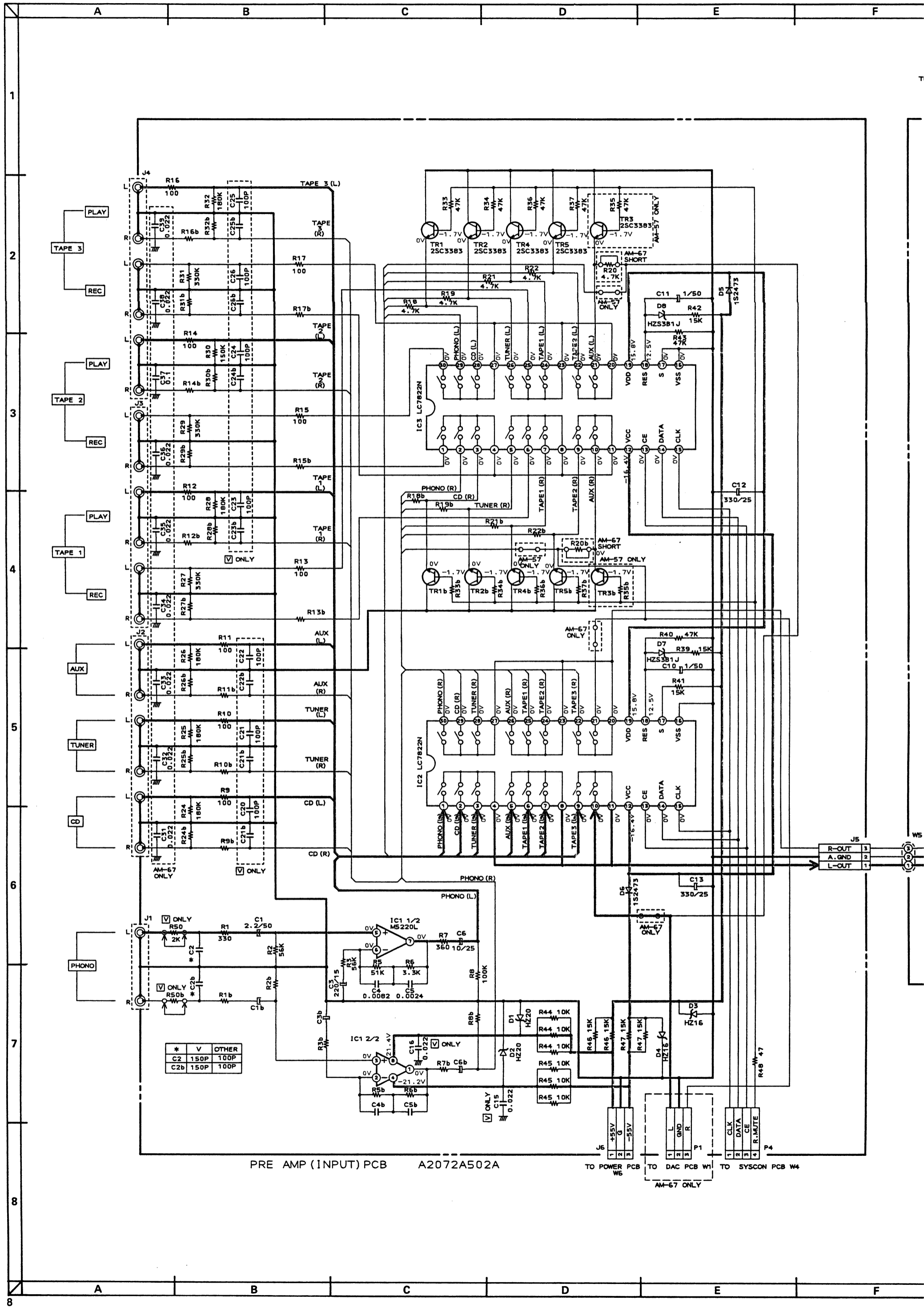
I AMP PCB A2072A501B

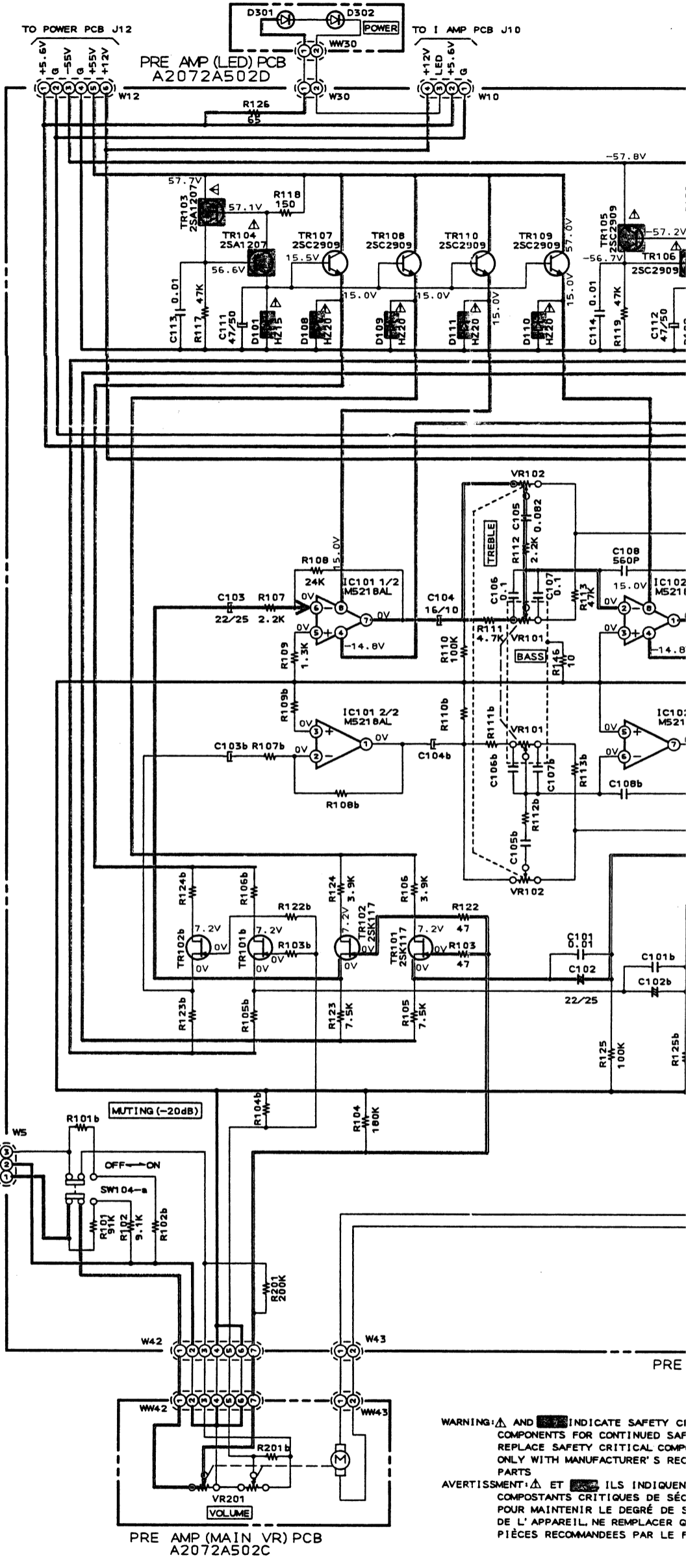
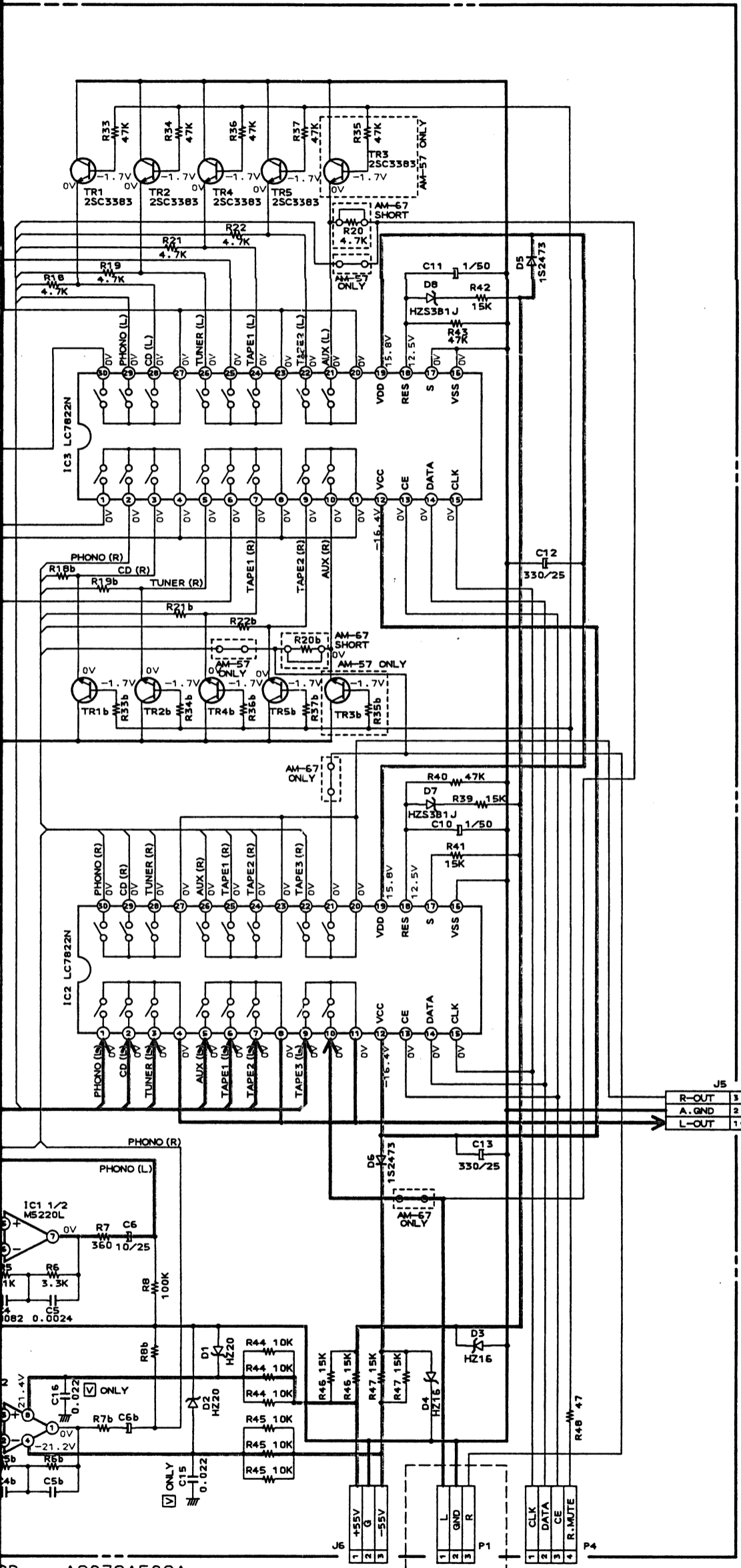


A2072A501A
403221J A2072A501A

V. AMP PCB A2072A501A

INDICATES SAFETY CRITICAL COMPONENTS FOR CONTINUED SAFETY.
 INDICATE SAFETY CRITICAL COMPONENTS ONLY WITH MANUFACTURER'S
 RECOMMENDED PARTS
 IL INDIQUE LES COMPOSANTS CRITIQUES DE SÉCURITÉ.
 MAINTENIR LE DEGRÉ DE SÉCURITÉ DE L'APPAREIL.
 PLACER QUE DES PIÈCES RECOMMANDÉES PAR LE FABRICANT

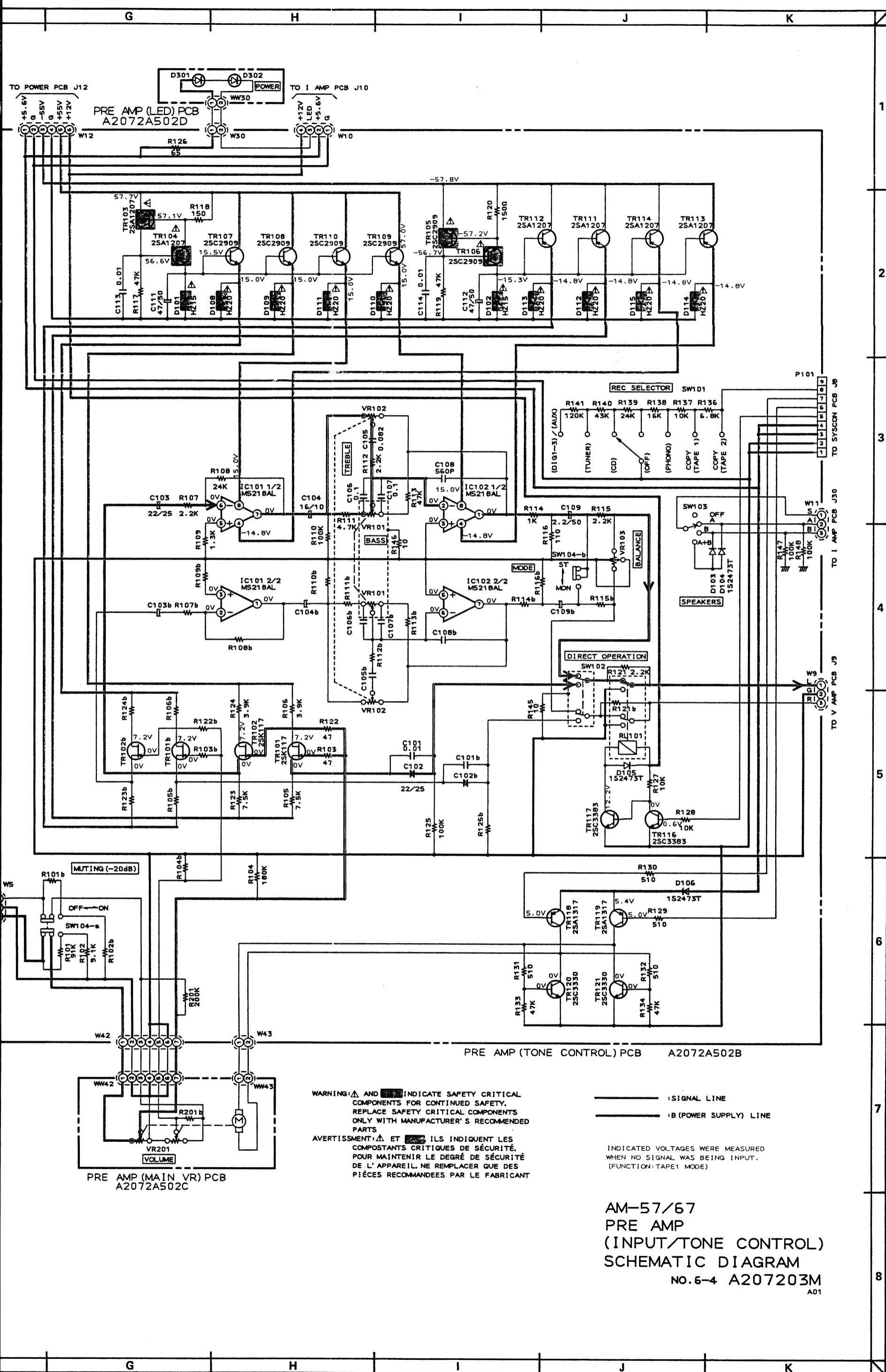




CB A2072A502A TO POWER PCB W6 TO DAC PCB W1 TO SYSCON PCB W4 AM-67 ONLY

PRE AMP (MAIN VR) PCB A2072A502C

WARNING: ⚠ AND ⚡ INDICATE SAFETY CRITICAL COMPONENTS FOR CONTINUED SAFE OPERATION. REPLACE SAFETY CRITICAL COMPONENTS ONLY WITH MANUFACTURER'S RECOMMENDED PARTS.
 AVERTISSEMENT: ⚠ ET ⚡ ILS INDIQUENT DES COMPOSANTS CRITIQUES DE SÉCURITÉ. POUR MAINTENIR LE DEGRÉ DE SÉCURITÉ DE L'APPAREIL, NE REMPLACER QUE LES PIÈCES RECOMMANDÉES PAR LE FABRICATEUR.



WARNING: AND INDICATE SAFETY CRITICAL COMPONENTS FOR CONTINUED SAFETY. REPLACE SAFETY CRITICAL COMPONENTS ONLY WITH MANUFACTURER'S RECOMMENDED PARTS.

AVERTISSEMENT: ET ILS INDIQUENT LES COMPOSANTS CRITIQUES DE SÉCURITÉ. POUR MAINTENIR LE DEGRÉ DE SÉCURITÉ DE L'APPAREIL, NE REMPLACER QUE DES PIÈCES RECOMMANDÉES PAR LE FABRICANT

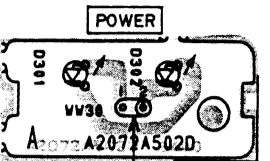
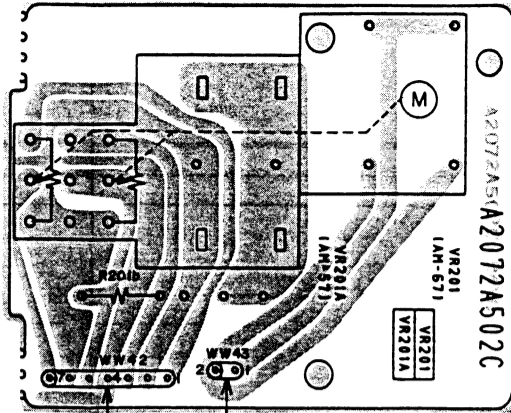
— : SIGNAL LINE
 — : (POWER SUPPLY) LINE

INDICATED VOLTAGES WERE MEASURED WHEN NO SIGNAL WAS BEING INPUT. (FUNCTION: TAPE1 MODE)

AM-57/67
 PRE AMP
 (INPUT/TONE CONTROL)
 SCHEMATIC DIAGRAM
 NO.6-4 A207203M
 A01

MAIN VR PCB A2072A502C

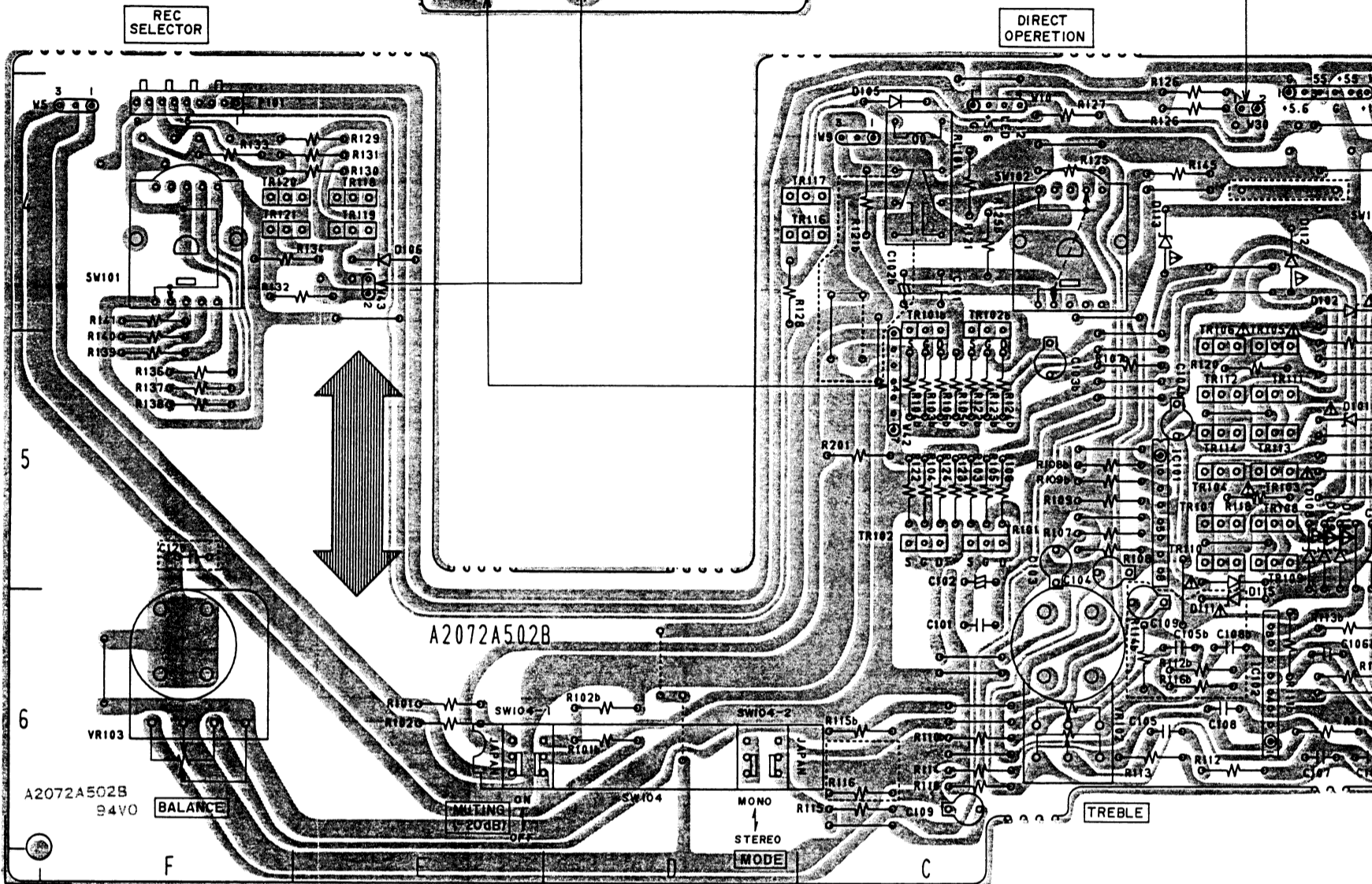
VOLUME



LED PCB A2072A502D

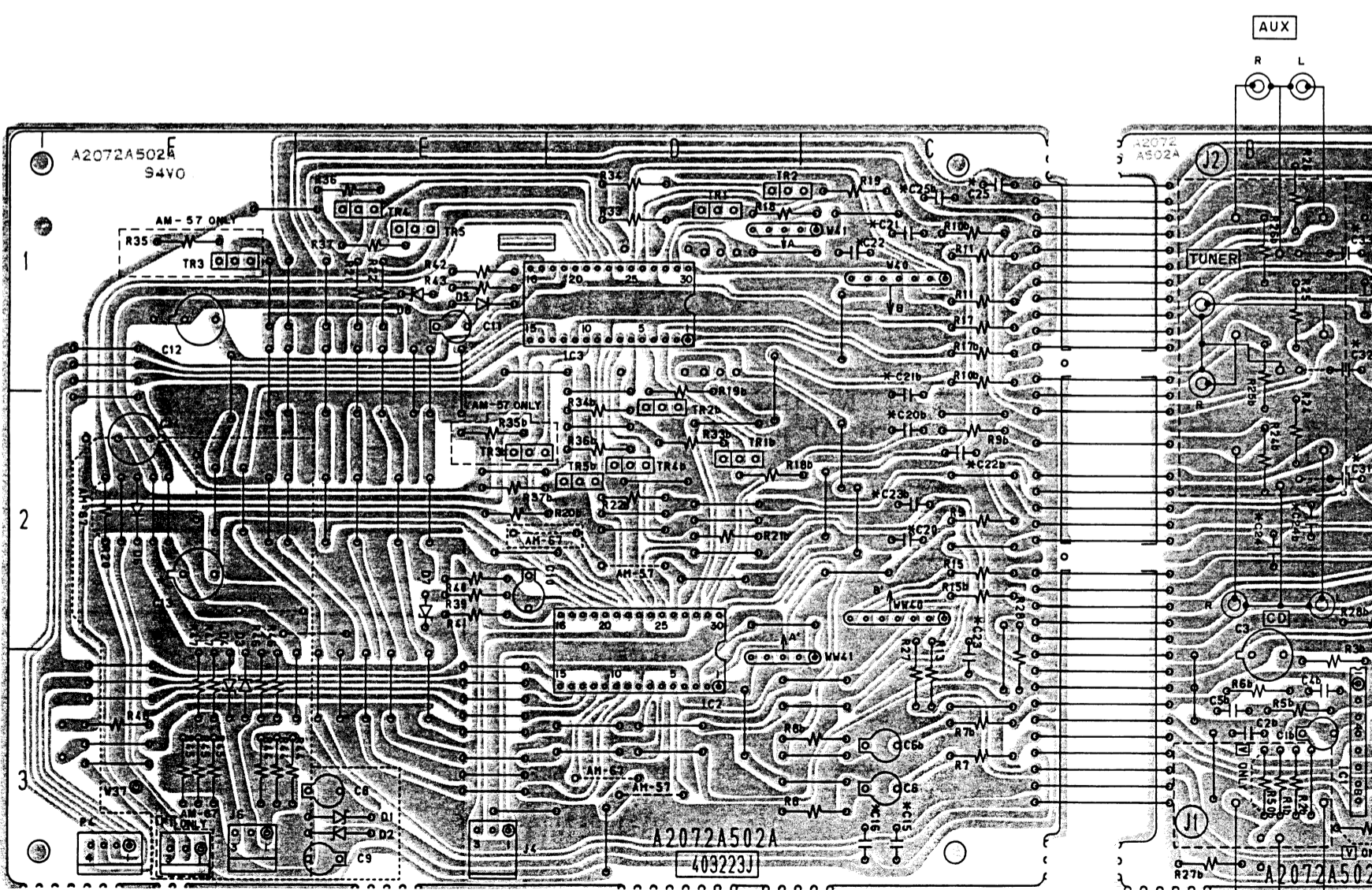
REC SELECTOR

DIRECT OPERATION



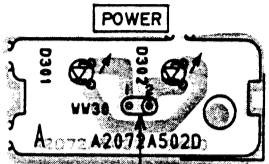
TONE CONTROL PCB A2072A502B

AUX

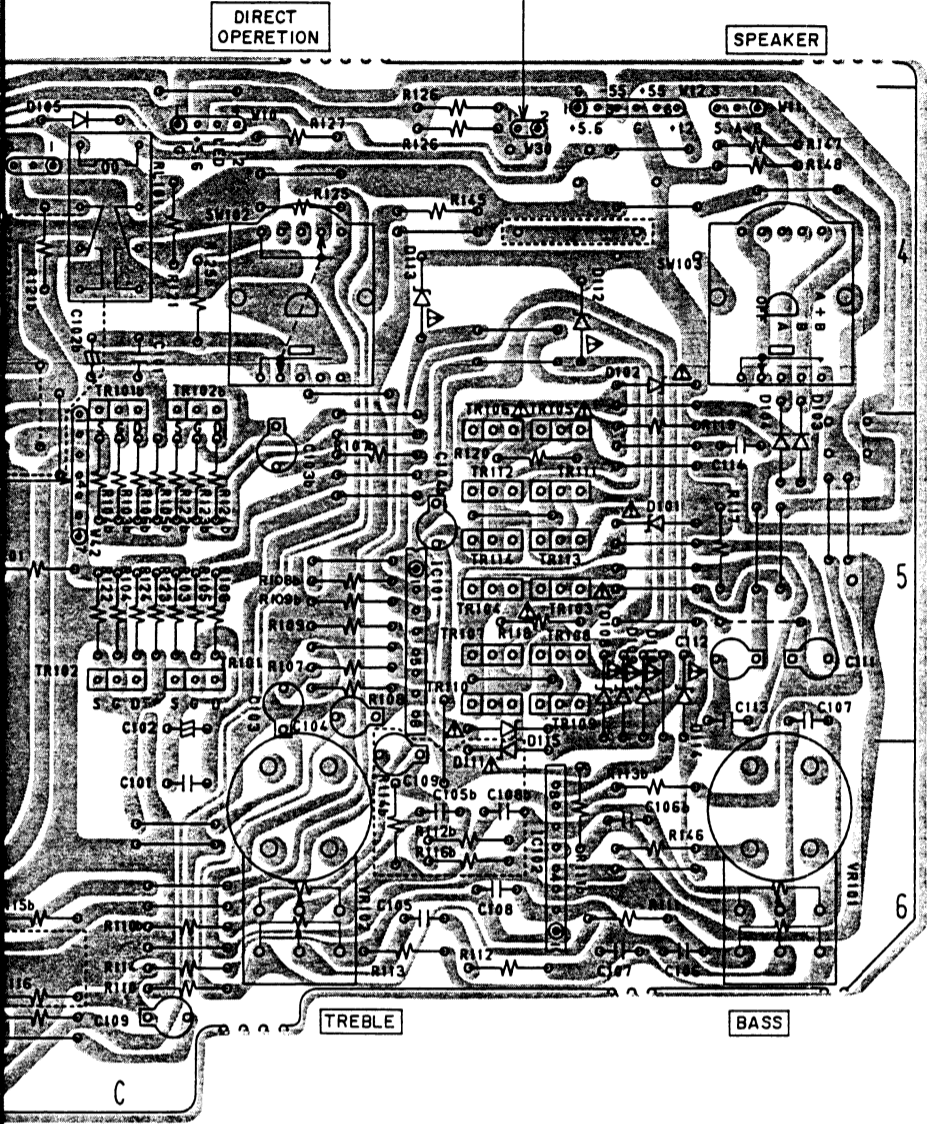


INPUT PCB A2072A502A

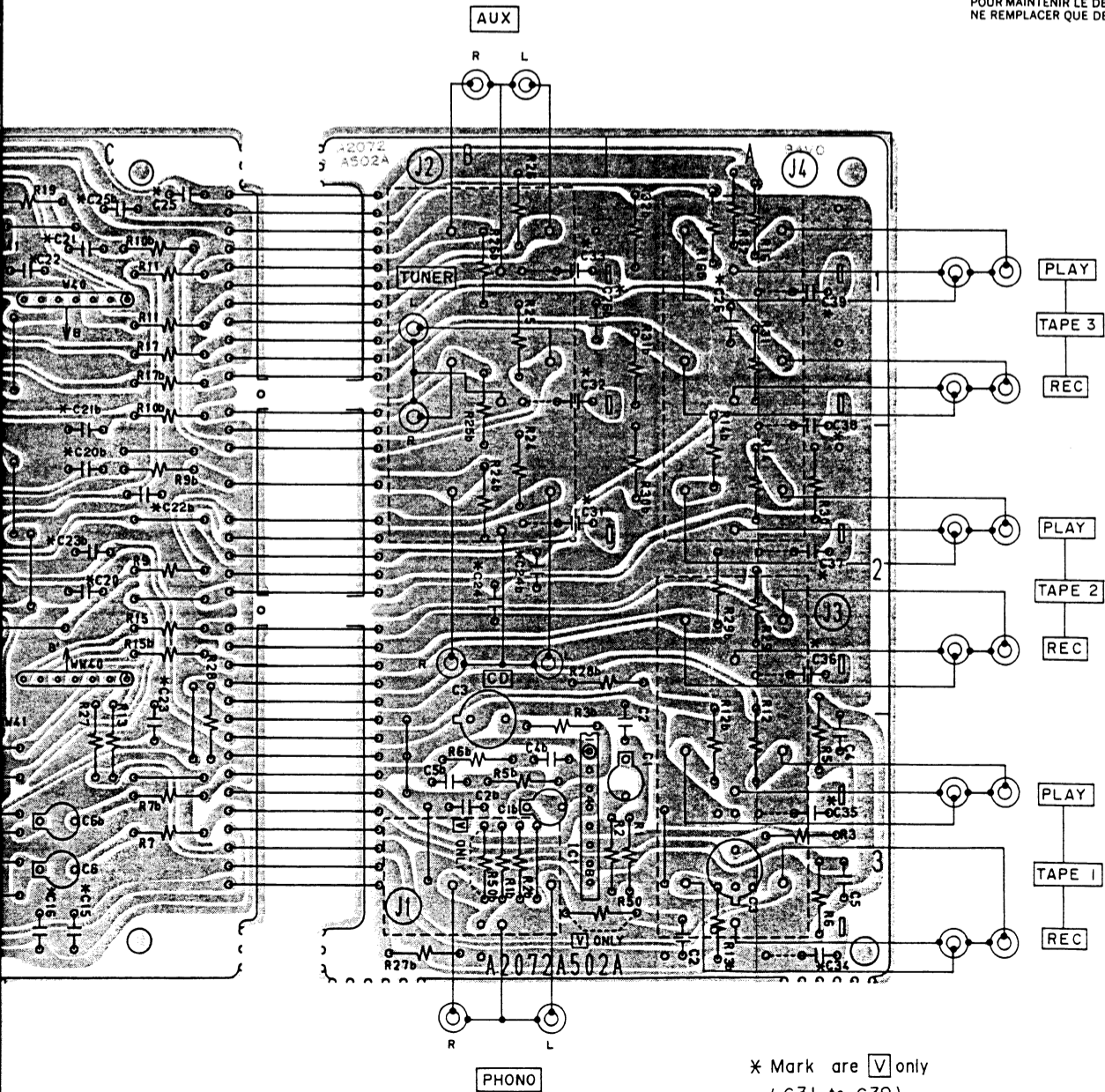
PHONO



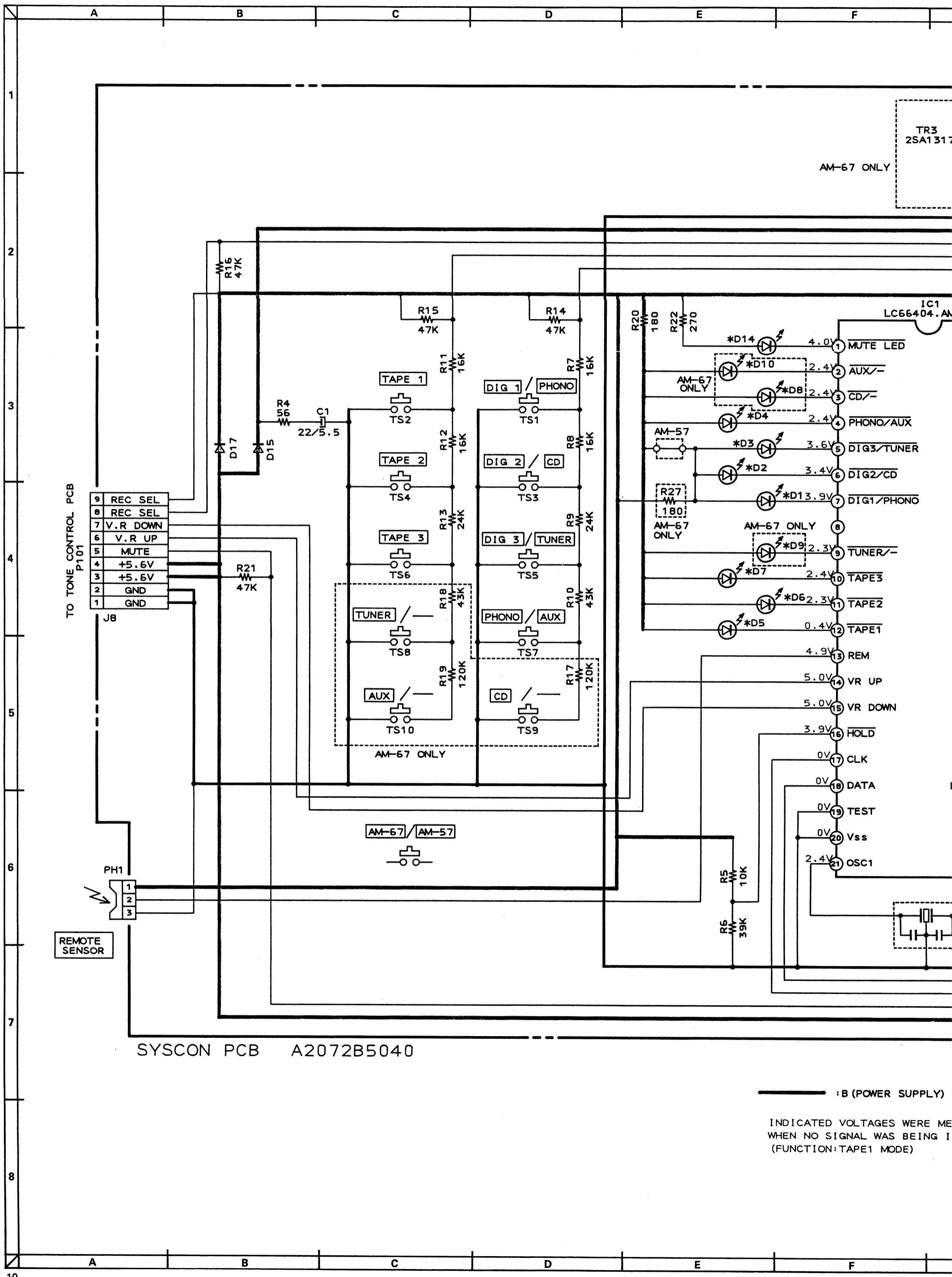
LED PCB
A2072A502D



WARNING: Δ INDICATES SAFETY CRITICAL COMPONENTS FOR CONTINUED SAFETY.
REPLACE SAFETY CRITICAL COMPONENTS ONLY WITH MANUFACTURER'S
RECOMMENDED PARTS
AVERTISSEMENT: Δ ILL INDIQUE LES COMPOSANTS CRITIQUES DE SÉCURITÉ.
POUR MAINTENIR LE DEGRÉ DE SÉCURITÉ DE L'APPAREIL,
NE REMPLACER QUE DES PIÈCES RECOMMANDÉES PAR LE FABRICANT



* Mark are [] only
(C31 to C39)
(C20 to C26)
(C15, C16)



TR3
2SA1317

AM-67 ONLY

IC1
LC66404.AM

TO TONE CONTROL PCB
P101

9	REC SEL
8	REC SEL
7	V.R DOWN
6	V.R UP
5	MUTE
4	+5.6V
3	+5.6V
2	GND
1	GND

PH1

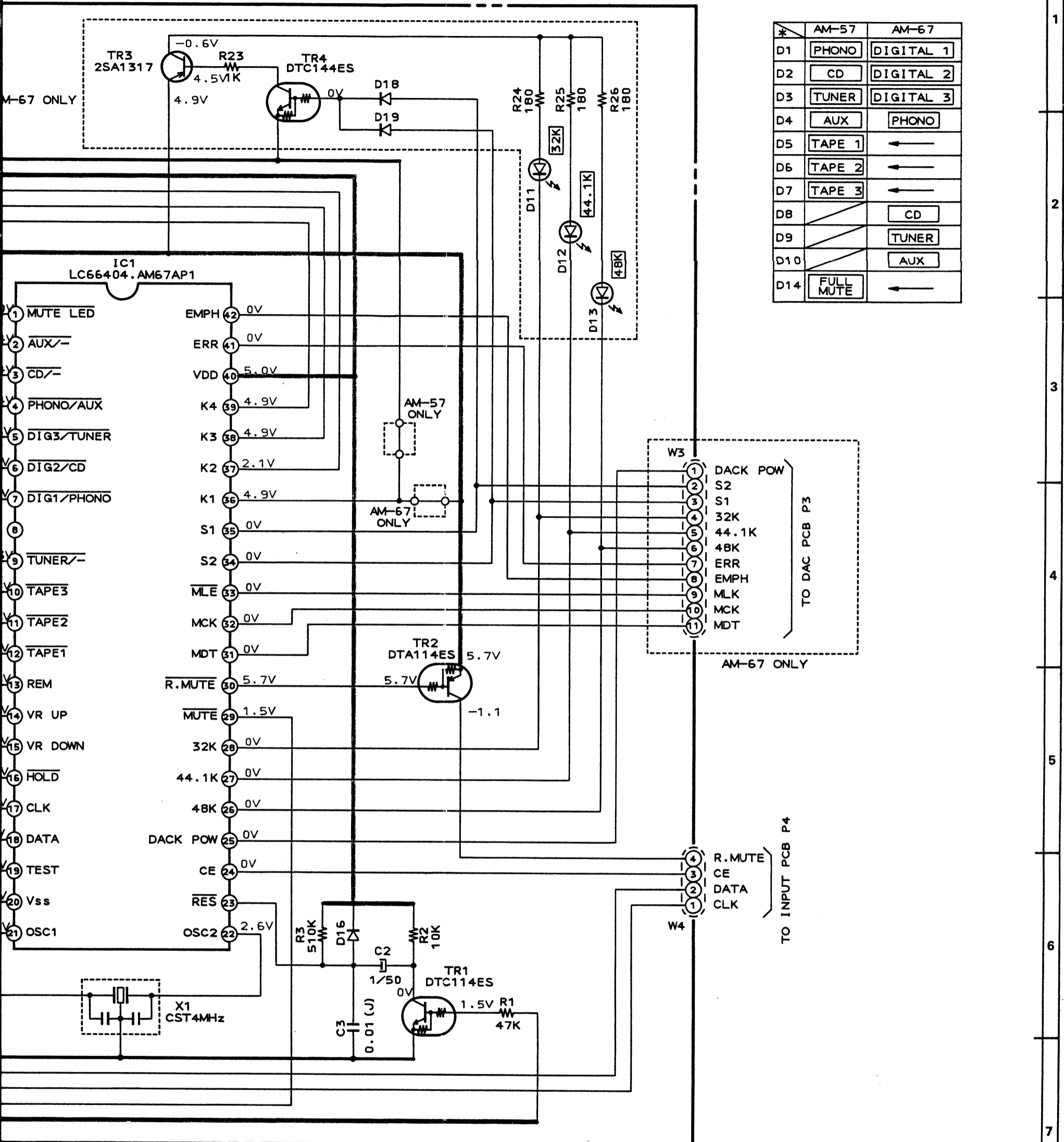
1
2
3

REMOTE SENSOR

SYSCON PCB A2072B5040

— :B (POWER SUPPLY)

INDICATED VOLTAGES WERE MEASURED
WHEN NO SIGNAL WAS BEING INPUT
(FUNCTION: TAPE1 MODE)

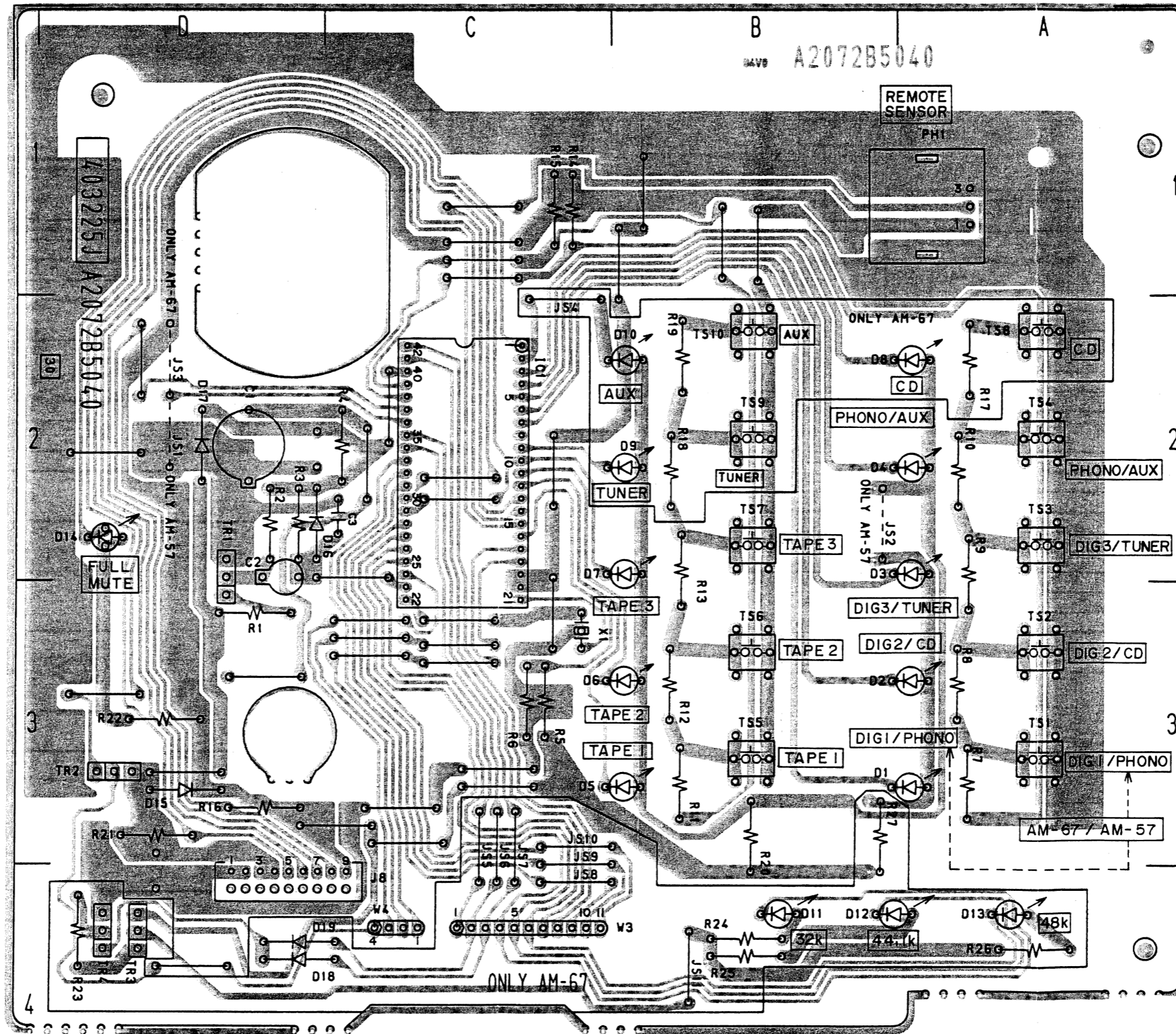


* D	AM-57	AM-67
D1	PHONO	DIGITAL 1
D2	CD	DIGITAL 2
D3	TUNER	DIGITAL 3
D4	AUX	PHONO
D5	TAPE 1	←
D6	TAPE 2	←
D7	TAPE 3	←
D8		CD
D9		TUNER
D10		AUX
D14	FULL MUTE	←

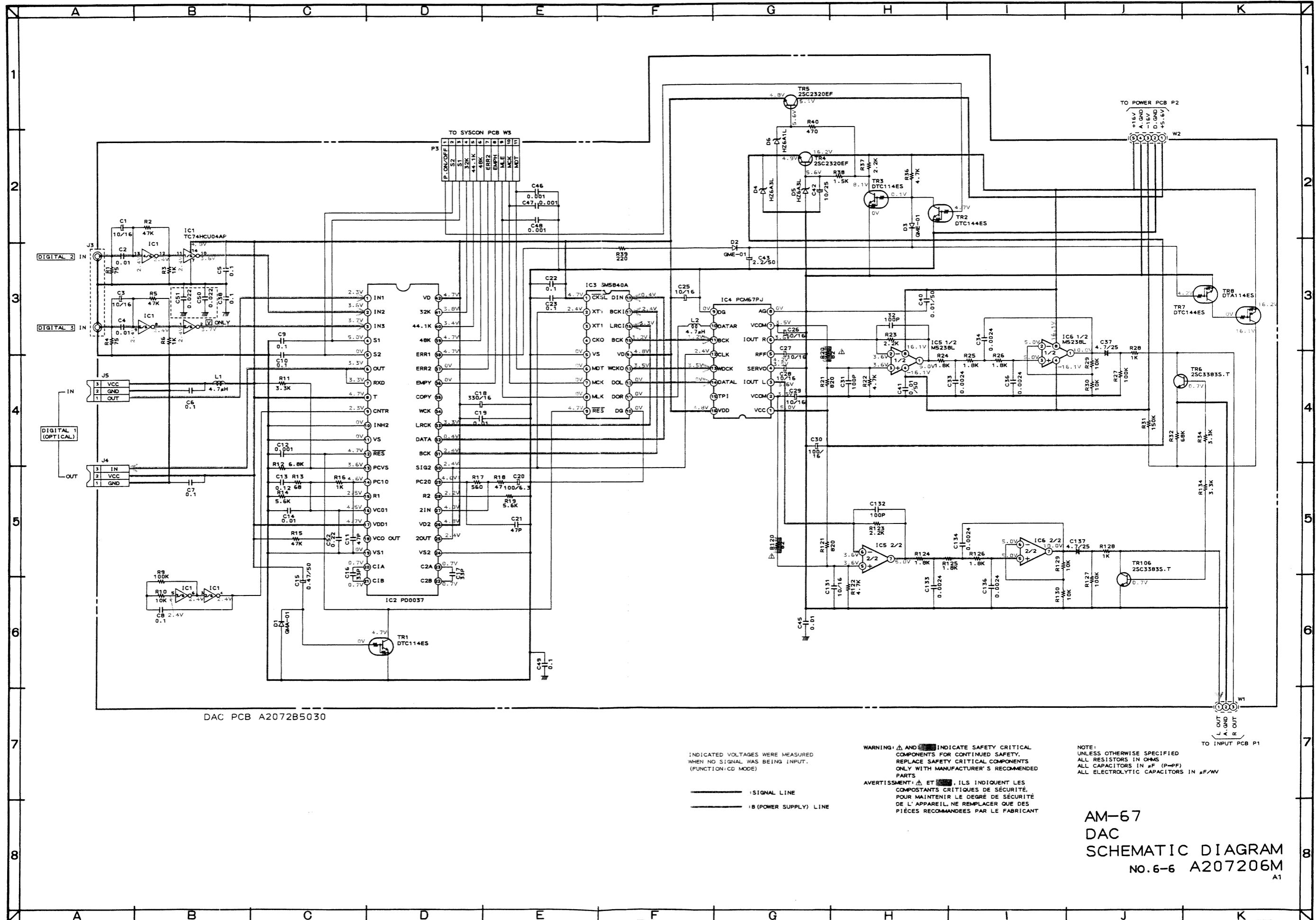
NOTE:
UNLESS OTHERWISE SPECIFIED
ALL RESISTORS IN OHMS
ALL CAPACITORS IN μF (P=PF)
ALL ELECTROLYTIC CAPACITORS IN μF/WV

D1 to D13: SLR33MC
D14: SLR33VC
D15 to D19: 1S2473HS

AM-57/67
SYSTEM CONTROL
SCHEMATIC DIAGRAM
NO. 6-5 A207205M
A2



SYSCON PCB A2072B5040



DAC PCB A2072B5030

INDICATED VOLTAGES WERE MEASURED WHEN NO SIGNAL WAS BEING INPUT. (FUNCTION: CD MODE)

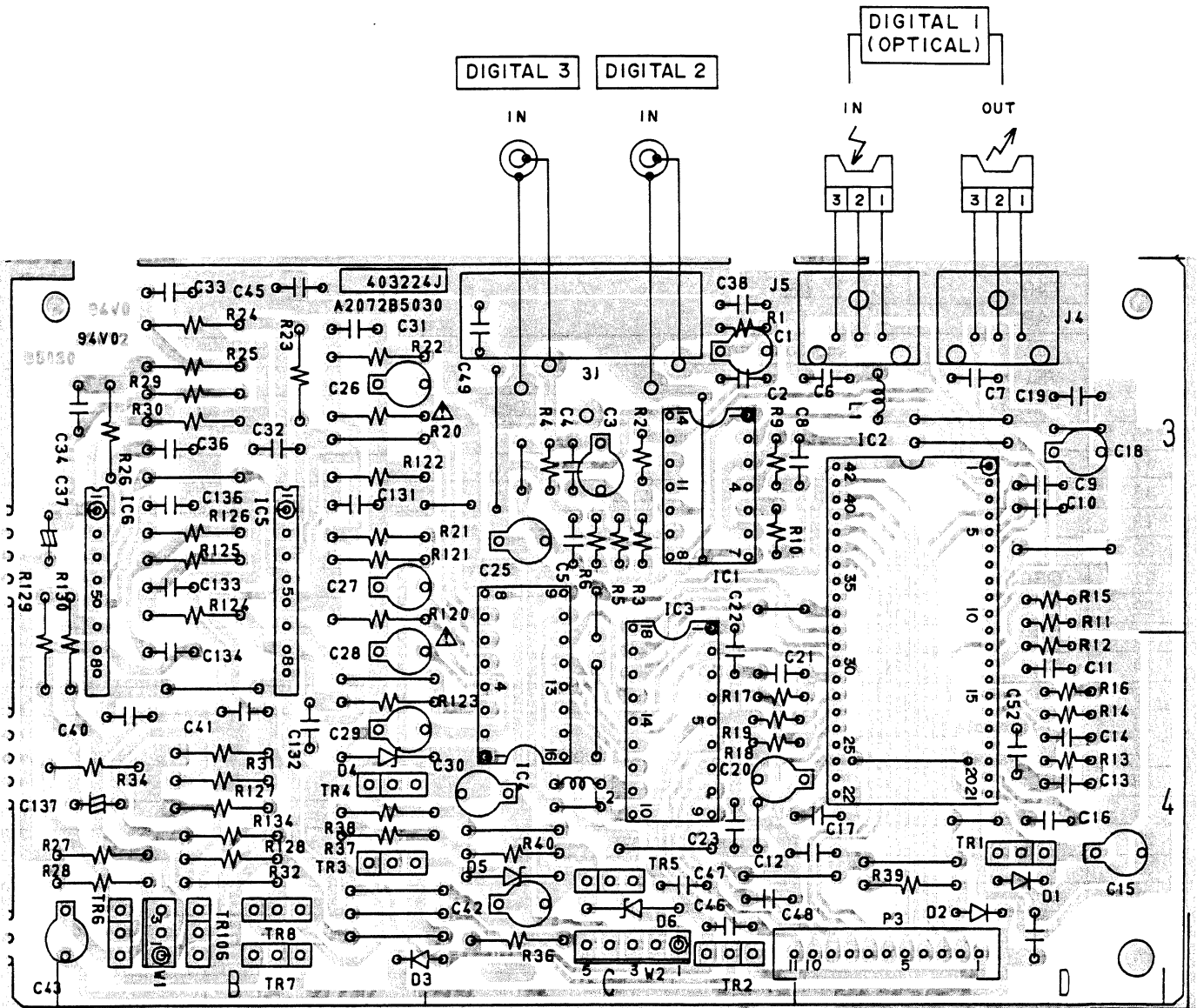
— SIGNAL LINE
 — (POWER SUPPLY) LINE

WARNING: Δ AND \square INDICATE SAFETY CRITICAL COMPONENTS FOR CONTINUED SAFETY. REPLACE SAFETY CRITICAL COMPONENTS ONLY WITH MANUFACTURER'S RECOMMENDED PARTS.

AVERTISSEMENT: Δ ET \square ILS INDIQUENT LES COMPOSANTS CRITIQUES DE SÉCURITÉ. POUR MAINTENIR LE DEGRÉ DE SÉCURITÉ DE L'APPAREIL, NE REMPLACER QUE DES PIÈCES RECOMMANDÉES PAR LE FABRICANT.

NOTE: UNLESS OTHERWISE SPECIFIED ALL RESISTORS IN OHMS ALL CAPACITORS IN μ F (P-PF) ALL ELECTROLYTIC CAPACITORS IN μ F/W

AM-67
 DAC
 SCHEMATIC DIAGRAM
 No. 6-6 A207206M
 A1



DAC PCB A2072B5030

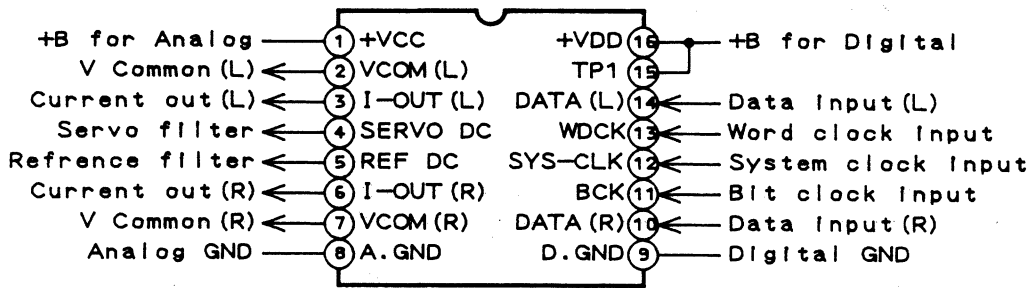
WARNING: Δ INDICATES SAFETY CRITICAL COMPONENTS. FOR CONTINUED SAFETY, REPLACE SAFETY CRITICAL COMPONENTS ONLY WITH MANUFACTURER'S RECOMMENDED PARTS.

AVERTISSEMENT: Δ IL INDIQUE LES COMPOSANTS CRITIQUES DE SÉCURITÉ. POUR MAINTENIR LE DEGRÉ DE SÉCURITÉ DE L'APPAREIL, NE REMPLACER QUE DES PIÈCES RECOMMANDÉES PAR LE FABRICANT.

LC66404.AM67AP1 (SYSCON-MI-COM)

Pin No	Symbol	I/O	Description	AM-67	AM-57
1	MUTE LED	O	LED drive output L: activ	FULL MUTE	FULL MUTE
2	AUX / -	O		AUX	Not use
3	CD / -	O		CD	Not use
4	PHONO/AUX	O		PHONO	AUX
5	DG3/TUNER	O		DIGITAL3	TUNER
6	DG2/CD	O		DIGITAL2	CD
7	DG1/PHONO	O		DIGITAL1	PHONO
8	—	—	Not use		
9	TUNER / -	O	LED drive output L : activ	TUNER	Not use
10	TAPE3	O		TAPE3	TAPE3
11	TAPE2	O		TAPE2	TAPE2
12	TAPE1	O		TAPE1	TAPE1
13	REM	I	Remote control input		
14	VRUP	O	VR motor drive to up (L: Up)		
15	VRDOWN	O	VR motor drive to down (L: Down)		
16	HOLD	I	Back up data input		
17	CLK	O	Clock data output		
18	DATA	O	Input selector data output		
19	TEST	—	(0 V) GND		
20	VSS	—	(0 V) GND		
21	OSC1	I	External OSC input		
22	OSC2	O	External OSC output		
23	RES	I	System reset input		
24	CE	O	Chip enable		
25	DACK POW	O	Power ON / OFF data output for CD H: ON		AM-67 Only
26	48 K	I	Sampling frequency data input for CD		AM-67 Only
27	44.1 K	I			
28	32 K	I			
29	MUTE	O	Mute control outpur L: ON		
30	R.MUTE	O	Rec mutè output for tape recording		
31	MDT	O	Mode set data output		AM-67 Only
32	MCK	O	Mode set clock output		AM-67 Only
33	MLF	O	Mode set latch output		AM-67 Only
34	S2	O	Input selector control output for digital		
35	S1	O	Input selector control output for digital		
36	K1	I	Key data input		
37	K2	I			
38	K3	I			
39	K4	I			
40	VDD	—	(+B) Power supply		
41	ERR	I	Unlock data input H: Unlock		AM-67 Only
42	EMPH	I	Emphasis data input H: Emph		AM-67 Only

PCM67AP-J (D/A CONVERTOR)



PD0037 (Digital Audio Interface Reciver)

Pin No.	Symbol	I/O	Description
1	IN1	I	Data input
2	IN2	I	Data input
3	IN3	I	Data input
4	S1	I	Input select
5	S2	I	Input select
6	OUT	O	MPX data output
7	RXD	I	Data input
8	TEST	I	Test mode input
9	CNTR	I	Counter clock input
10	INH2	I	VCO 2 ON / OFF control H:OFF
11	VSS	—	(0 V) GND
12	RESET	I	Power ON reset input
13	PSVS	I	VCO 1/2 INPUT
14	PC1OUT	O	Phase comparator 1 output
15	R1	—	External resistor connection terminal
16	VCO1 IN	I	Control voltage input
17	VDD1	—	(+B) Power supply
18	VCO1OUT	O	Not use
19	VSS1	—	(0 V) GND
20	C1A	—	External capacitor connection terminal
21	C1B	—	External capacitor connection terminal
22	C2A	—	External capacitor connection terminal
23	C2B	—	External capacitor connection terminal
24	VSS2	—	(0 V) GND
25	VCO2OUT	O	VCO output (384 fs)
26	VDD	—	(+ B) Power supply
27	VCO1IN	I	Control voltage input
28	R2	—	External resistor connection terminal
29	PC2OUT	O	Phase comperator 2 output
30	SIG2	I	Phase comperator 2 input
31	BCK	O	Bit clock output
32	DATA	O	Audio data output
33	LRCK	O	Data output H: L ch, L: R ch
34	WCK	O	Word data clock output
35	COPY	O	Copy data output
36	EMPH	O	H: Emphasis-ON
37	ERR2	O	H: Unlock-ON
38	ERR1	O	H: Err
39	48K	O	Sampling frequency data output L: activ
40	44.1K	O	
41	32K	O	
42	VDD	—	(+ B) Power supply

SM5840AP (DIGITAL FILTER)

