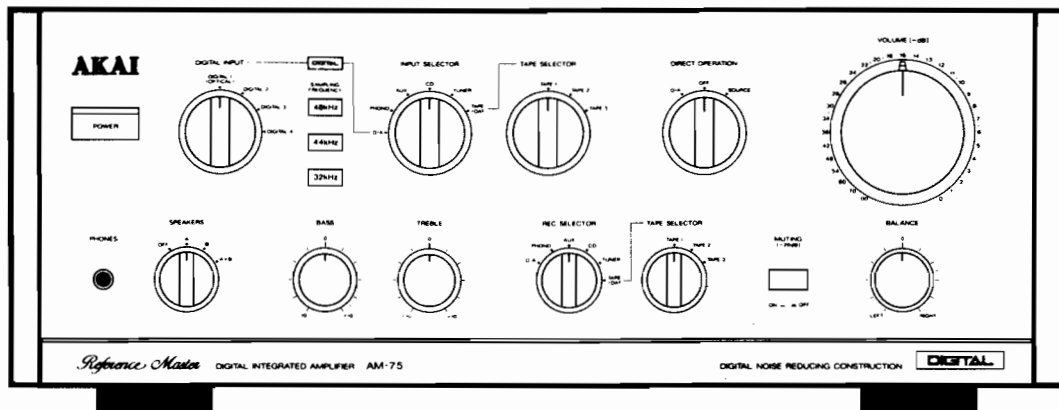
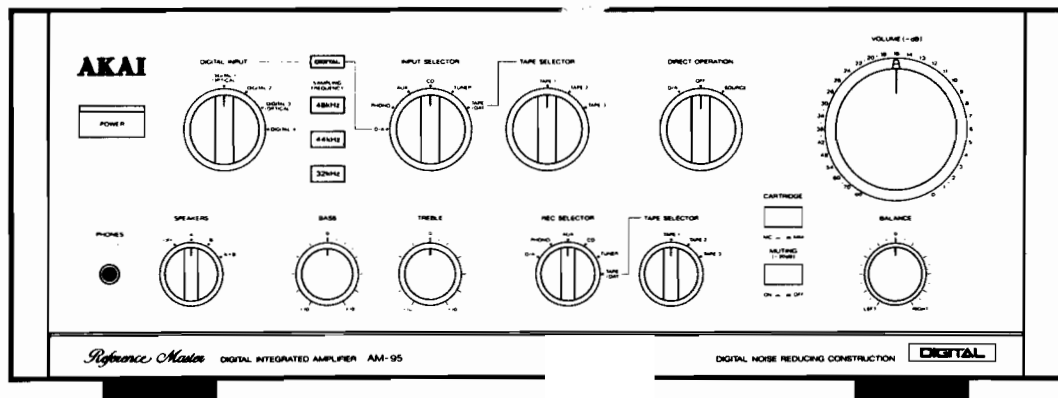


AKAI SERVICE MANUAL



MODEL AM-75



MODEL AM-95

DIGITAL INTEGRATED AMPLIFIER

MODEL **AM-75**

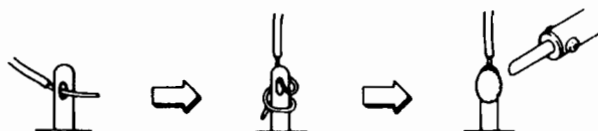
DIGITAL INTEGRATED AMPLIFIER

MODEL **AM-95**

★ SAFETY INSTRUCTIONS

PRECAUTIONS DURING SERVICING

- Parts identified by the Δ (*) symbol are critical for safety. Replace only with parts number specified.
- In addition to safety, other parts and assemblies are specified for conformance with such regulations as those applying to spurious radiation. These must also be replaced only with specified replacements.
Examples: RF converters, tuner units, antenna selector switches, RF cables, noise blocking capacitors, noise blocking filters, etc.
- Use specified internal wiring. Note especially:
 - 1) Wires covered with PVC tubing
 - 2) Double insulated wires
 - 3) High voltage leads
- Use specified insulating materials for hazardous live parts. Note especially:
 - 1) Insulation Tape
 - 2) PVC tubing
 - 3) Spacers (Insulating Barriers)
 - 4) Insulation sheets for transistors
 - 5) Plastic screws for fixing microswitch (especially in turntable)
- When replacing AC primary side components (transformers, power cords, noise blocking capacitors, etc.), wrap ends of wires securely about the terminals before soldering.



- Observe that wires do not contact heat producing parts (heatsinks, oxide metal film resistors, fusible resistors, etc.).

- Check that replaced wires do not contact sharp edged or pointed parts.
- Also check areas surrounding repaired locations.
- Use care that foreign objects (screws, solder droplets, etc.) do not remain inside the set.

SAFETY CHECK AFTER SERVICING

After servicing, make measurements of leakage-current or resistance in order to determine that exposed parts are acceptably insulated from the supply circuit.

The leakage-current measurement should be done between accessible metal parts (such as chassis, ground terminal, microphone jacks, signal-input/output connectors, etc.) and the earth ground through a resistor of 1500 ohms paralleled with a 0.15 μ F capacitor, under the unit's normal working conditions. The leakage-current should be less than 0.5 mA rms AC.

The resistance measurement should be done between accessible exposed metal parts and power cord plug prongs with the power switch (if included) "ON". The resistance should be more than 2.2 Mohms.

★ INFORMATION

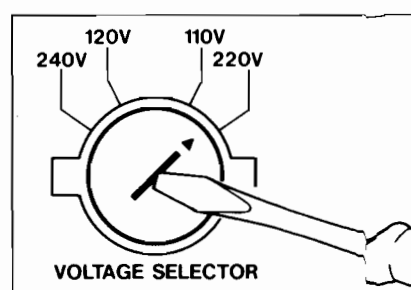
SYMBOLS FOR PRIMARY DESTINATION

Alphabet indicates the destination of the units as listed below.

Symbols	Principal Destinations
A	USA
B	UK
C	Canada
E	Europe (except UK)
J	Japan
S	Australia
V	W. Germany only
U	Universal Area
Y*	Custom version

VOLTAGE CONVERSION (U Model only)

Before connecting the power cord. Set the VOLTAGE SELECTOR located on the rear panel with a screwdriver so that the correct voltage is indicated.



I. SPECIFICATIONS

1-1 MODEL AM-75

<p>Power output 150W + 150W (DIN, 4ohms, 1kHz, 0.7%) 100W + 100W (FTC, 4ohms, 20Hz to 20kHz, 0.1%)</p> <p>Power band width 10Hz to 60kHz/1.0%</p> <p>Total harmonic distortion 0.008% (1kHz, 8ohms)</p> <p>Phono max. input level 250mV (MM)</p> <p>Frequency response 3Hz to 100kHz (+0dB, -3dB)</p> <p>Tone control</p> <p> BASS ±10dB (100Hz)</p> <p> TREBLE ±10dB (10kHz)</p> <p>Input sensitivity/Impedance</p> <p> PHONO(MM) 2.5mV/47k ohms</p> <p> TUNER, etc 150mV/47k ohms</p> <p> Output level/Impedance</p> <p> Tape rec out 150mV/1k ohm</p> <p>Damping factor 30(1kHz, 8ohms)</p> <p>Residual noise 0.5mV</p> <p>S/N</p> <p> PHONO(MM) 85dB</p> <p> TUNER, etc 100dB</p> <p>Channel separation 60dB</p> <p>Audio mute -20dB</p> <p>Required speaker impedance</p> <p> A or B (A/B) 4 to 16 ohms</p> <p> A and B (A+B) 8 to 16 ohms</p> <p> Voltage convertible models</p> <p> A or B (A,B) 6 to 16 ohms</p> <p> A and B (A+B) 12 to 16 ohms</p>	<p>D/A section</p> <p>Sampling frequency 32kHz/44.1kHz/48kHz</p> <p>D/A converter MASH (Multi-stage Noise Shaping) type</p> <p>Digital input level/Impedance</p> <p> COAXIAL 0.5Vp-p/75ohms</p> <p> OPTICAL -14dBm to -23dBm</p> <p>Frequency response 5Hz to 20kHz (±0.3dB)</p> <p>Dynamic range 95dB</p> <p>Total harmonic distortion ... 0.003%</p> <p>S/N 115dB</p> <p>Power requirements 220V, 50Hz for Europe except UK 240V, 50HZ for UK and Australia 110V/ 120V/220V/240V, 50/60Hz convertible for other countries</p> <p>Dimensions 461(W) × 177(H) × 452(D)mm (18.2 × 7.0 × 17.8 inches)</p> <p>Weight 17.7 kg (38.9 lbs)</p>
	<p>Standard accessories</p> <p>Operator's manual 1</p>

* For improvement purposes, specifications and design are subject to change without notice.

MC-Service

MC-Service

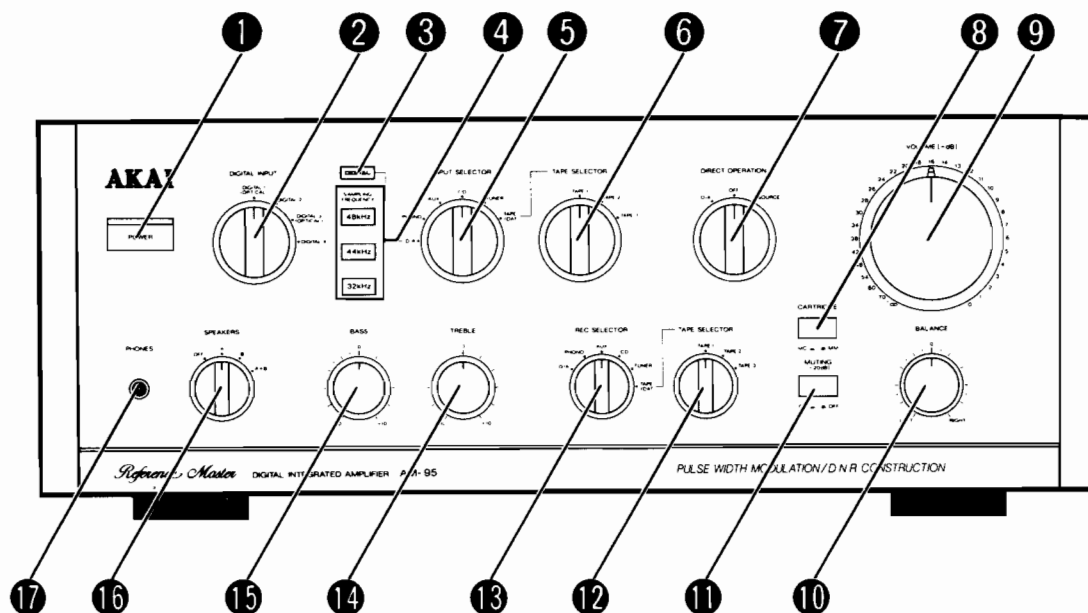
1-2 MODEL AM-95

<p>Power output 180W + 180W (DIN, 4ohms, 1kHz, 0.7%) 180W + 180W (FTC, 4ohms, 20Hz to 20kHz, 0.1%)</p> <p>Power band width 10Hz to 60kHz/1.0%</p> <p>Total harmonic distortion 0.008% (1kHz, 8ohms)</p> <p>Phono max. input level 200mV (MM)</p> <p>Frequency response 3Hz to 100kHz (+0dB, -3dB)</p> <p>Tone control</p> <p> BASS ±10dB (100Hz)</p> <p> TREBLE ±10dB (10kHz)</p> <p>Input sensitivity/Impedance</p> <p> PHONO(MM) 2.5mV/47k ohms</p> <p> PHONO(MC) 0.25mV/100 Ohms</p> <p> TUNER, etc 150mV/47k ohms</p> <p> Output level/Impedance</p> <p> Tape rec out 150mV/1k ohm</p> <p>Damping factor 30(1kHz, 8ohms)</p> <p>Residual noise 0.5mV</p> <p>S/N</p> <p> PHONO(MM) 85dB</p> <p> PHONO(MC) 67dB</p> <p> TUNER, etc 100dB</p> <p>Channel separation 60dB</p> <p>Audio mute -20dB</p> <p>Required speaker impedance</p> <p> A or B (A,B) 4 to 16 ohms</p> <p> A and B (A+B) 8 to 16 ohms</p> <p> Voltage convertible models</p> <p> A or B (A,B) 6 to 16 ohms</p> <p> A and B (A+B) 12 to 16 ohms</p>	<p>D/A section</p> <p>Sampling frequency 32kHz/44.1kHz/48kHz</p> <p>D/A converter MASH (Multi-stage Noise Shaping) type</p> <p>Digital input level/Impedance</p> <p> COAXIAL 0.5Vp-p/75ohms</p> <p> OPTICAL -14dBm to -23dBm</p> <p>Frequency response 5Hz to 20kHz (±0.3dB)</p> <p>Dynamic range 95dB</p> <p>Total harmonic distortion ... 0.003%</p> <p>S/N 115dB</p> <p>Power requirements 220V, 50Hz for Europe except UK 240V, 50HZ for UK and Australia 110V/ 120V/220V/240V, 50/60Hz convertible for other countries</p> <p>Dimensions 461(W) × 177(H) × 452(D)mm (18.2 × 7.0 × 17.8 inches)</p> <p>Weight 17.7 kg (44.0 lbs)</p>
	<p>Standard accessories</p> <p>Operator's manual 1</p>

* For improvement purposes, specifications and design are subject to change without notice.

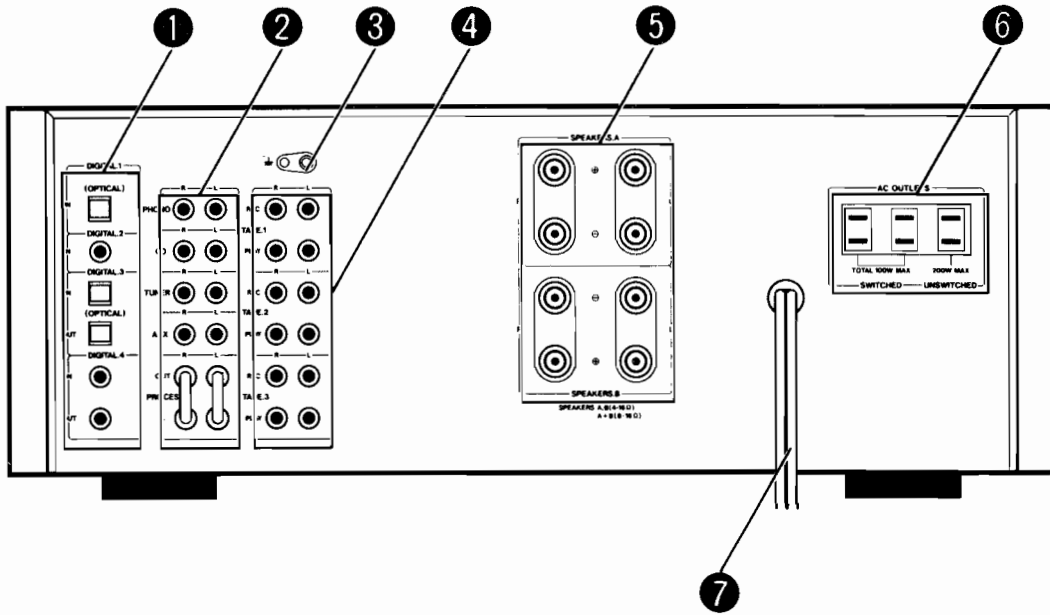
II. CONTROLS

2-1. FRONT PANEL



- 1 POWER Button and Indicator**
To turn the power on and off.
The indicator will flash on and off when the speaker protection circuit is engaged.
- 2 DIGITAL INPUT Switch (DIGITAL. 1 (OPTICAL), DIGITAL. 2/3(OPTICAL)/4)**
To select the digital input source.
- 3 DIGITAL Indicator**
Tells you the INPUT SELECTOR switch or the DIRECT OPERATION switch is set to D/A.
- 4 SAMPLING FREQUENCY Indicators (32 kHz/44 kHz/48 kHz)**
Tells you the sampling frequency of the digital source being played back.
- 5 INPUT SELECTOR Switch**
To select the playback source you wish to listen to.
- 6 TAPE SELECTOR Switch**
To select the cassette deck or DAT deck being used for playback.
- 7 DIRECT OPERATION Switch**
To select the playback operation mode. If you wish to use the BASS, TREBLE or BALANCE controls, set the switch to OFF.
- 8 CARTRIDGE (— MC/ — MM) Switch (AM-95 ONLY)**
To set the phono amplifier's gain to high or low according to which type of cartridge (MC or MM) is being used with the connected turntable.
- 9 VOLUME Control (—dB: minus decibel)**
To adjust the volume level. The 0 dB (zero decibel) position is the maximum volume output of the amplifier.
- 10 BALANCE Control**
To adjust the left and right channel balance.
Normally set the control to its center click position.
- 11 MUTING Switch (ON — /OFF —)**
To reduce the volume instantly during playback without using the VOLUME control.
- 12 TAPE SELECTOR Switch**
To select the cassette deck or DAT deck being used for recording.
- 13 REC SELECTOR Switch**
To select the playback source for recording.
- 14 TREBLE Tone Control**
To adjust the high note (treble) level. When set to 0, the control is ineffective.
- 15 BASS Tone Control**
To adjust the low note (bass) level. When set to 0, the control is ineffective.
- 16 SPEAKERS Switch**
To select the speaker system.
For headphone listening, set the switch to OFF. When using two pairs of speaker systems at the same time, set the switch to A+B.
- 17 PHONES Jack**
For headphone listening.
Connect the headphone plug to the jack.

2-2. REAR PANEL



① Digital Signal Connection Terminal and Jacks

For connection of components with DIGITAL INPUT or OUTPUT jacks.

DIGITAL. 1 (OPTICAL) IN Terminal and terminal cap

Use this terminal when connecting a CD player or DAT deck that has an optical output terminal. (Use an optical fiber cable available in Hi-Fi stores for connections).

DIGITAL. 2 IN Jack

Use this jack when connecting a CD player or DAT deck that has a digital coaxial output jack. (Use a digital or video connection cable available in Hi-Fi stores for connections).

DIGITAL. 3 (OPTICAL) IN and OUT terminals and terminal caps.

Use these jacks when connecting a DAT deck that has digital coaxial input and output jacks. (Use an optical, digital or video connection cable available in Hi-Fi stores for connections).

The DIGITAL OUT jack can be used for connection of a DAT deck for digital tape dubbing or a DSP (Digital Sound Processor).

② Analog Connection Jacks

These jacks are for conventional signal (analog) connections. The white PIN-jacks are for left channel connections and the red PIN-jacks are for right channel connections.

PHONO Jacks

Connect the output PIN-plug cord of a turntable to these jacks.

CD Jacks

Connect the OUTPUT jacks of a CD player to these jacks with an audio PIN-plug cord.

TUNER Jacks

Connect the OUTPUT jacks of a tuner to these jacks with an audio PIN-plug cord.

AUX Jacks

Connect the OUTPUT jacks of an auxiliary source such as a cassette deck, DAT deck or CD player to these jacks with an audio PIN-plug cord.

PROCESSOR IN and OUT Jacks/Short pins

For connection of a graphic equalizer or surround processor with an audio PIN-plug cord.

Remove the two short pins from these jacks before connecting. Leave these pins in place when a graphic equalizer or surround processor is not connected to these jacks.

③ (Earth) Terminal

If your turntable has an earth wire, connect it to this terminal.

④ Analog Tape Connecting Jacks

For connection of cassette decks or DAT decks that have analog OUTPUT and INPUT jacks.

TAPE. 1, TAPE. 2 and TAPE. 3 Jacks (REC/PLAY)

Connect the INPUT jacks of a cassette deck or DAT deck to the REC jacks with an audio PIN-plug cord.

Connect the OUTPUT jacks of a cassette deck or DAT deck to the PLAY jacks with an audio PIN-plug cord.

⑤ SPEAKERS A, B Terminals

For speaker system connections. The A terminals correspond to the A position of the SPEAKERS switch and the B terminals correspond to the B position. Red terminals are the \oplus (positive) terminals and black terminals are the \ominus (negative) terminals.

⑥ AC OUTLETS (Voltage convertible models only)

For connection of audio equipment power cords (tuner, CD player, cassette deck, DAT deck etc.).

The maximum connected power consumption is 300 Watts. Do not exceed the maximum power consumption indicated on the rear panel of the amplifier.

The UNSWITCHED outlets supply power when the power cord of the amplifier is connected to a household AC outlet. The power to the SWITCHED outlet is turned on and off by the amplifier's POWER switch.

⑦ Power cord and plug

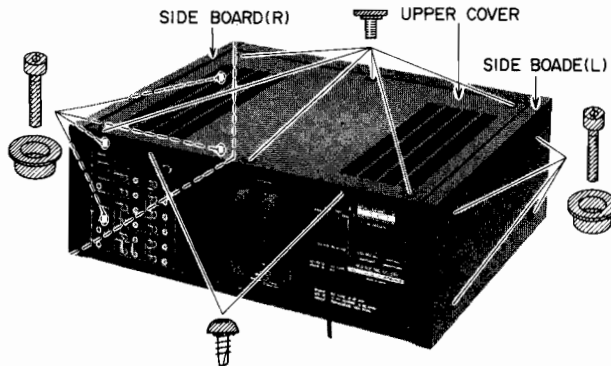
Connect to a household AC outlet. If you wish to use an audio timer, connect the power cord to the timer's AC outlet.

III. DISASSEMBLY

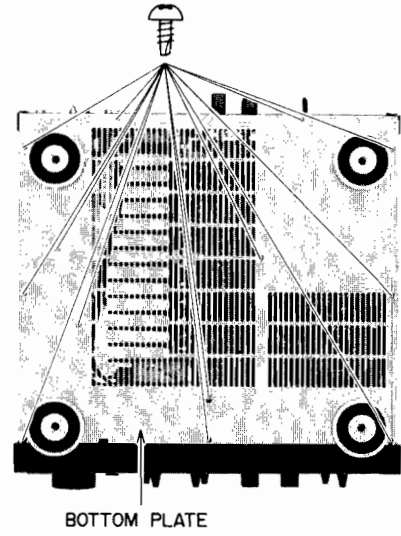
In case of trouble, etc, necessitating dismantling, please dismantle in the order shown in the photographs. Reassemble in reverse order.

* Photographs employed in this paragraphs are model AM-95

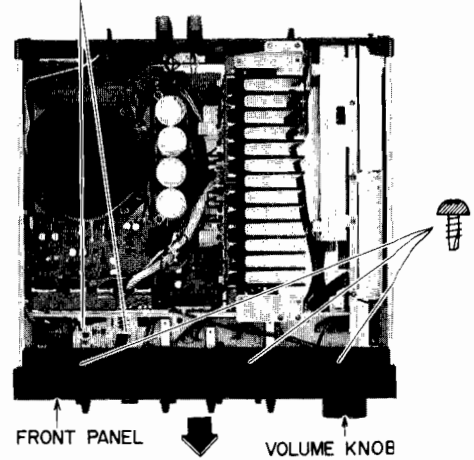
1. Removal of UPPER COVER



2. Removal of BOTTOM PLATE & FRONT PANEL



3. CONNECTORS (J301, J302)



* Disconnect CONNECTORS (J301, J302) and remove VOLUME KNOB first, then remove FRONT PANEL next.

IV. PRINCIPAL PARTS LOCATION

MODEL AM-75

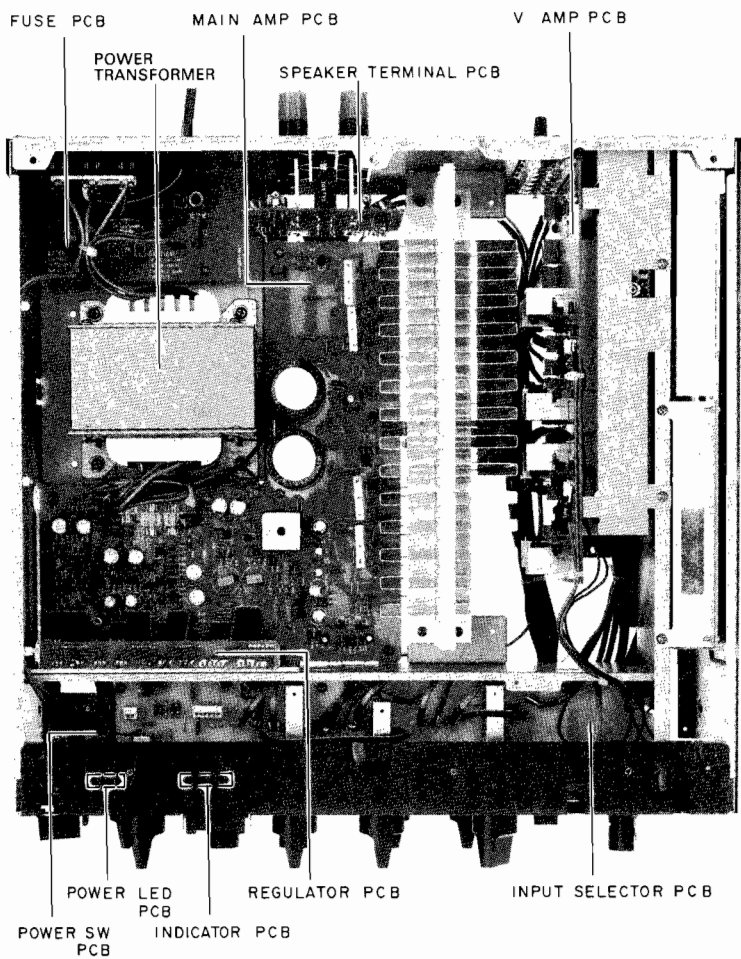


Fig. 4-1 Top View

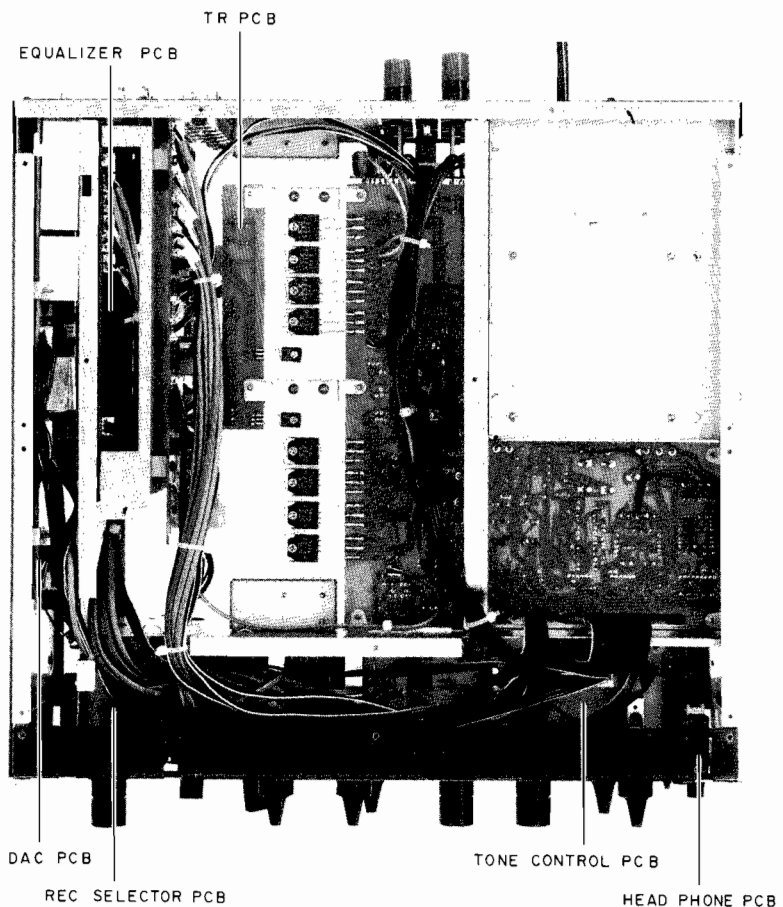


Fig. 4-2 Bottom View

MODEL AM-95

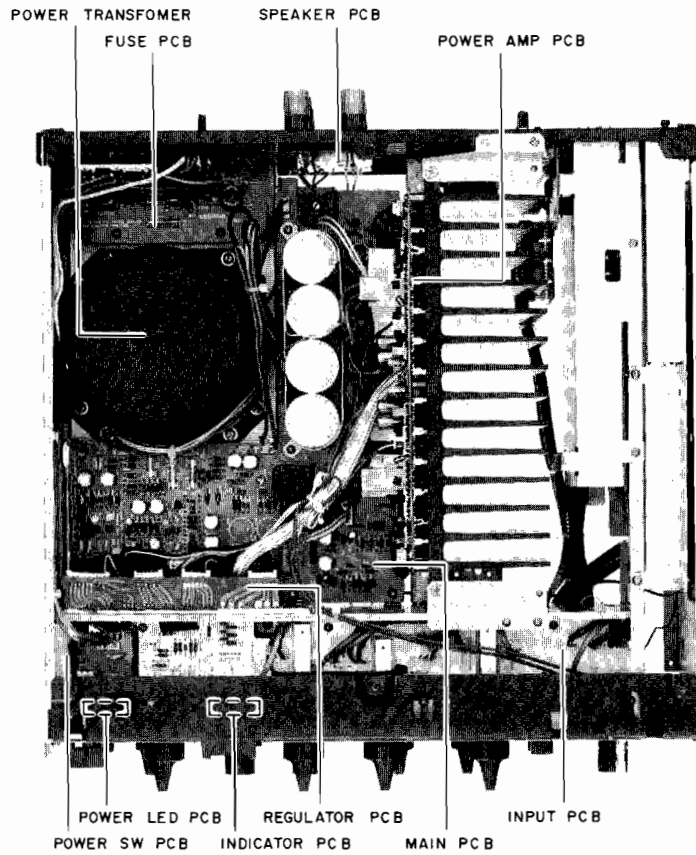


Fig. 4-3 TopView

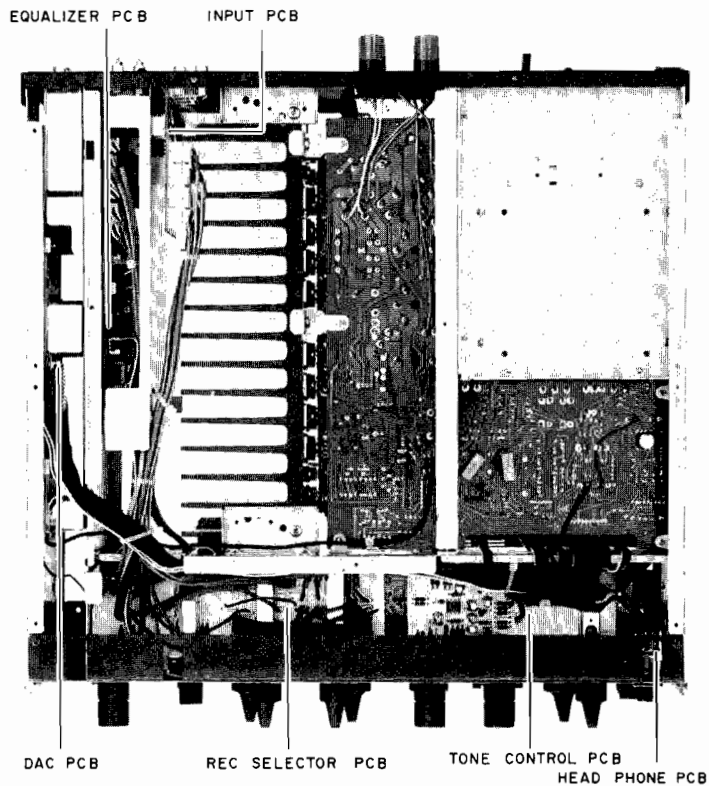


Fig. 4-4 Bottom View

V. ELECTRICAL ADJUSTMENT

5-1. MODEL AM-75

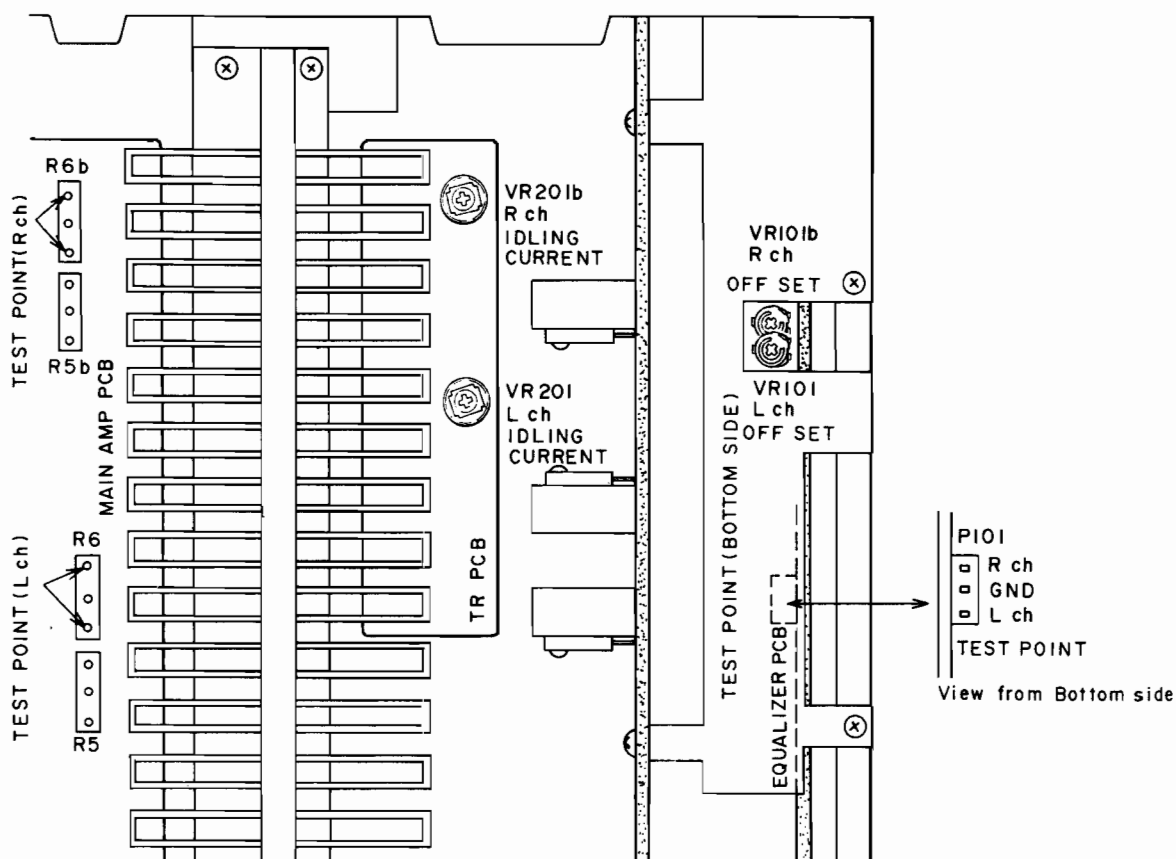


Fig. 5-1 Idling current, OFF-SET Adjustment parts and Test points

5-1-1. IDLING CURRENT ADJUSTMENT (Refer to Fig. 5-1)

NOTE: This adjustment should be made after 5 minutes passed from turning the power on.

- 1) Connect the Digital DC Voltmeter between both ends of cement type resistor R5 or R6 (L-CH), R5b or R6b (R-CH) on the MAIN AMP PCB.
- 2) Adjust VR201 (L-CH), VR201b (R-CH) on the TR PCB, so that the reading on the Digital DC Voltmeter is 30 mV.

5-1-2. OFF-SET ADJUSTMENT OF PHONO AMPLIFIER (Refer to Fig. 5-1)

NOTE: This adjustment should be made after 5 minutes passed from turning the power on.

- 1) Connect the Digital DC Voltmeter between Pin ① (L-CH), Pin ③ (R-CH) and Pin ② (GND) on the EQUALIZER PCB.
- 2) Adjust VR101 (L-CH), VR101b (R-CH) on the EQUALIZER PCB, so that the reading on the Digital DC Voltmeter is 0 V.

5-2. MODEL AM-95

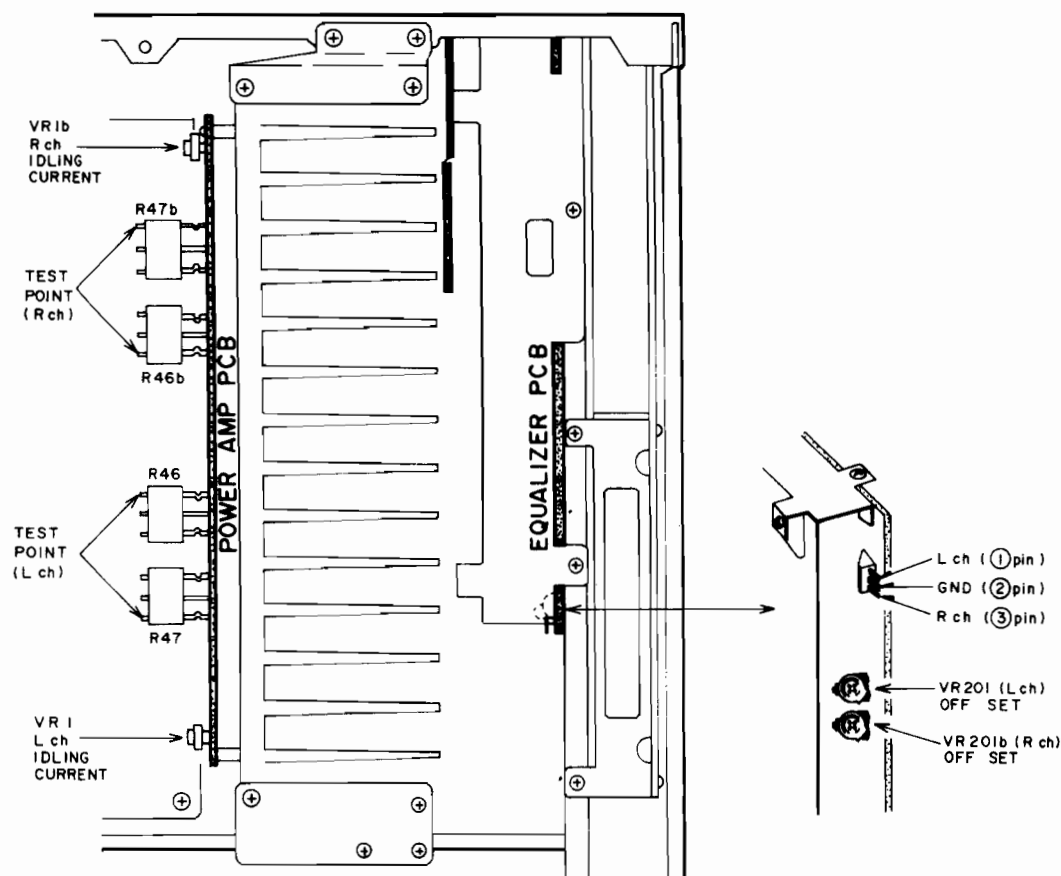


Fig. 5-2 Idling current, OFF-SET Adjustment parts and Test points

5-2-1. IDLING CURRENT ADJUSTMENT (Refer to Fig. 5-2)

NOTE: This adjustment should be made immediately right after turning the power on.

- 1) Connect the digital DC voltmeter between both ends of cement type resistor R46 and R47 (L-CH), R46b and R47b (R-CH) on the POWER AMP PCB.
- 2) Adjust VR1 (L-CH), VR1b (R-CH) on the POWER AMP PCB so that the reading on the digital DC voltmis $20 \text{ mV} \pm 2 \text{ mV}$.

5-2-2. OFF-SET ADJUSTMENT OF PHONO AMPLIFIER (Refer to Fig. 5-2)

NOTE: This adjustment should be made after 5 minutes passed from turning the power on.

- 1) Connect the digital DC voltmeter between pin ①(L-CH) or pin ③(R-CH) and pin ②(GND) on the EQU ALIZER PCB.
- 2) Set the selector switches on the front panel as follow.
INPUT SELECTOR: PHONO
CARTRIDGE: MC
- 3) Adjust VR201 (L-CH), VR201b (R-CH) on the EQUALIZER PCB, so that the reading on the digital DC voltmeter is 0 V.

VI. PARTS LIST

ATTENTION

1. When placing an order for parts, be sure to list Part No., Model No. and the description of each part. Otherwise, the non-delivery of the part or the delivery of a wrong part may result.
2. Please make sure that Part No. is correct when ordering.
If not, a part different from the one you ordered may be delivered.
3. Since the parts shown in Parts List of Preliminary Service Manual may have been the subject of changes, please use this Parts List for all future reference.

HOW TO USE THIS PARTS LIST

1. This Parts List lists those parts which are considered necessary for repairs. Other common parts, such as resistors and capacitors, are listed in the "Common List for Service Parts" from which these parts should be selected and stocked.
2. The Recommended Spare Parts List shows those parts in the Parts List which are considered particularly important for service.
3. Parts not shown in the Parts List and "Common List for Service Parts" will not in principle be supplied.
4. How to read the Parts List.

a) Mechanism Block

2. HEAD BASE BLOCK

REF. NO.	PART NO.	DESCRIPTION
1	BH-T2023A320A	HEAD BASE BLOCK
2	HP-H2206A010A	HEAD R/P PR4-8FU C
3	ZS-477876	PAN20×03STL CMT
4	ZS-536488	BID20×08STL CMT
5	ZG-402895	SP CS ANGLE ADJUST

↑ SP (Service Parts) Classification
 ↑ This number corresponds with the individual parts index number in that figure.

MC-Service

b) PC Board

6. MAIN PC BOARD

REF. NO.	PART NO.	DESCRIPTION
IC1	EI-324536	IC HD14049BP
IC2	EI-336801	IC MB8841-564M
C1A	EC-338399	C MMY V 223M 250AC [U,E,B,S]
C1B	EC-350949	C MMY V 223M 250DC [J]
C1C	EC-338397	C MMY V 223M 125AC [C,A]
X1	EI-318384	OSC X'TAL NC-18C

↑ Symbols for primary destination
 [A]: AAL (U.S.A) [S]: SAA (Australia)
 [B]: BEAB (England) [U]: U/T (Universal Area)
 [C]: CSA (Canada) [V]: VDE (W. Germany)
 [E]: CEE (Europe) [J]: JPN (Japan) [Y]: Custom Version
 ↑ SP (Service Parts) Classification
 ↑ These reference symbols correspond with component symbols in the Schematic Diagrams.

The available PC Board Blocks are listed separately.

5. When Part No. is known, Parts Index at end of Parts List can be used to locate where that part is shown in Parts List by its Reference No. listed at right of Part No.

WARNING

△(*) INDICATES SAFETY CRITICAL COMPONENTS. FOR CONTINUED SAFETY, REPLACE SAFETY CRITICAL COMPONENTS ONLY WITH MANUFACTURE'S RECOMMENDED PARTS.

AVERTISSEMENT

△(*) IL INDIQUE LES COMPOSANTS CRITIQUES DE SÉCURITÉ. POUR MAINTENIR LE DEGRÉ DE SÉCURITÉ DE L'APPAREIL, NE REMPLACER QUE DES PIÈCES RECOMMANDÉES PAR LE FABRICANT.

1. RECOMMENDED SPARE PARTS

We suggest you to stock the following Recommend Spare Part items listed below since they can cover most of the routine service.

Ref. No.	Part No.	Description	Ref. No.	Part No.	Description
1	*BT-385573J	TRANS POW A2050(B) [B] [AM-95]	51	EQ-348929	RELAY SIG G5A-237P 2TR 12V [AM-95]
2	*BT-385572J	TRANS POW A2050(EV) [E,V] [AM-95]	52	*ES-355407	SW PUSH ESB-99713V TV-8 [POWER SW]
3	*BT-385569J	TRANS POW A2050(U) [U] [AM-95]	53	ES-378941J	SW PUSH SPUL12 2-04-02S [MUTE]
4	*BT-379963J1	TRANS POW A2057(B) [B] [AM-75]	54	ES-385576J	SW REMOTE B SWWR10 [AM-95]
5	*BT-379962J1	TRANS POW A2057(EV) [E,V] [AM-75]	55	ES-385553J	SW REMOTE O SPUR12 [AM-95]
6	*BT-379958J	TRANS POW A2057(U) [U] [AM-75]	56	ES-379984J	SW ROTARY SRRZS4 2-04-04N [DIGITAL INPUT]
7	BT-368261	TRANS PULSE TC-1027-04	57	ES-379987J	SW ROTARY SRRZS6 2-06-03N [TAPE SELECTOR]
8	ED-382620J	D LED PG5562X GREEN [DIGITAL]	58	ES-379986J	SW ROTARY SRRZS6 2-06-06N [INPUT SELECTOR]
9	ED-382611J	D LED PY5504S YELLOW	59	ES-379988J	SW ROTARY SRRZS8 2-08-03N [DIRECT OPERATION]
10	ED-361885	D LED SLP-384C-51 GREEN [POWER]	60	*ES-349070	SW SELECTOR YKS11-0002 02-4 [U] [VOLTAGE SELECTOR]
11	ED-383034J	D LED SLR-54PC3F L,M GREEN	61	ET-356336	TR DTA114ES
12	*ED-379981J	D SILICON EG01LF-F4 F10 400/0.7A	62	ET-360646	TR DTA143ES
13	ED-348990	D SILICON H DS446	63	ET-354371	TR DTC124ES
14	ED-301911	D SILICON H DS448	64	ET-357162	TR FET 2SJ74 GR,BL,V
15	ED-385575J	D SILICON H 1SS182FA F10 [AM-95]	65	ET-354897	TR FET 2SK170 BL,GR,V
16	ED-624903	D SILICON H 1S2473	66	*ET-359827	TR FET 2SK246 BL
17	*ED-382668J	D SILICON PB-112F	67	ET-345460	TR 2SA1208 R,S,T
18	ED-346557	D ZENER H HZ12A3L	68	ET-348829	TR 2SA1209 S,T
19	ED-346560	D ZENER H HZ12B3L	69	*ET-345626	TR 2SA1248 S,T
20	ED-346564	D ZENER H HZ15-1L	70	*ET-385577J	TR 2SA1306 Y
21	ED-346570	D ZENER H HZ18-3L	71	ET-352726	TR 2SA1392 T,U
22	ED-377933	D ZENER H HZ27-3LFA F10	72	*ET-368758	TR 2SA1491 P,Y [AM-75]
23	ED-381270J	D ZENER H HZ33-1LFA F10	73	*ET-385561J	TR 2SA1492 P,Y
24	ED-305655	D ZENER H HZ4 B3	74	ET-354601	TR 2SB941 P,Q
25	ED-343410	D ZENER H HZ6A1L	75	ET-308141	TR 2SC2603 G F05
26	ED-346529	D ZENER H HZ6C2L	76	ET-338410	TR 2SC2878 A,B
27	*EF-355226	FUSE BET T 250V 1.00A [B]	77	ET-370038	TR 2SC2910 S,T
28	*EF-359086	FUSE BET T 250V 4.00A [B] [AM-75]	78	ET-348831	TR 2SC2911 S,T
29	*EF-355399	FUSE BET T 250V 5.00A [B] [AM-95]	79	*ET-345625	TR 2SC3116 S,T
30	*EF-623103	FUSE SEMKO T 250V 1.00A [E,V]	80	*ET-385557J	TR 2SC3298 Y
31	*EF-690996	FUSE SEMKO T 250V 4.00A [E,V] [AM-75]	81	ET-360137	TR 2SC3330 U,V F05
32	*EF-242605	FUSE SEMKO T 250V 6.30A [E,V] [AM-95]	82	ET-378524J	TR 2SC3383 S,T,U
33	*EF-306952	FUSE TSC A 250V 4.00A [U] [AM-75]	83	*ET-368760	TR 2SC3855 P,Y [AM-75]
34	*EF-327103	FUSE TSC A 250V 500MA [U]	84	*ET-385559J	TR 2SC3856 P,Y
35	*EF-341260	FUSE TSC A 250V 8.00A [U] [AM-95]	85	ET-371028	TR 2SD1266 P,Q
36	*EF-309388	FUSE TSC A 250V 800MA [U]	86	*ET-349459	TR 2SD1406 O,Y,GR
37	EH-383070J	FILTER EMI BL01RN1-A62	87	EV-379994J	VR ROTARY RK1631110 SPL \forall 104 [BALANCE]
38	EH-388140J	FILTER EMI BL02RN1-R62 [AM-75]	88	EV-379992J	VR ROTARY RK1631210 C:04 X2 [BASS CONTROL]
39	EI-390996J	IC FAR-18M432-D300	89	EV-379993J	VR ROTARY RK1631210 C:04 X2 [TREBLE CONTROL]
40	EI-345474	IC HA12002	90	EV-387949J	VR ROTARY RK18114A0 A:04 X4 [MAIN VOLUME]
41	EI-390995J	IC MN6471M	91	*EW-363683	AC CORD 200 LCFL B100 A B [B]
42	EI-344764	IC M5218P-21	92	*EW-363658	AC CORD 200 0129AVFF B100 A U/ [U]
43	EI-362587	IC M5238L	93	*EW-363671	AC CORD 200 0364 LCFL B100 A E [E,V]
44	EI-362588	IC M5238P			
45	EI-360225	IC NJM5532D			
46	EI-390063J	IC PD0037			
47	EI-360040J1	IC TC74HCU04AP			
48	EI-360037J1	IC TC74HC00AP			
49	EI-360027	IC TC74HC86P			
50	EQ-379982J	RELAY POW G5R-2282P 2NO 48V [AM-95]			

2. P.C BOARD BLOCK

Ref. No.	Part No.	Description
1A	BA-A2057A020A	PC(#) MAIN BLK AM-73(U) [U] [AM-75]
1B	BA-A2057A020D	PC(#) MAIN BLK AM-73(E) [E,B] [AM-75]
1C	BA-A2057A020E	PC(#) MAIN BLK AM-73(V) [V] [AM-75]
1D	BA-A2050C020A	PC(#) MAIN BLK AM-93(U) [U] [AM-95]
1E	BA-A2050C020D	PC(#) MAIN BLK AM-93(E) [E,B] [AM-95]
1F	BA-A2050C020E	PC(#) MAIN BLK AM-93(V) [U] [AM-95]
2A	BA-A2057A030A	PC(#) VAMP BLK AM-73(U) [U,E,B] [AM-75]
2B	BA-A2057A030C	PC(#) VAMP BLK AM-73(V) [V] [AM-75]
3A	BA-A2050A070A	PC(#) POWER ANP BLK AM-93(U) [U] [AM-95]
3B	BA-A2050C070D	PC(#) POWER ANP BLK AM-93(E) [E,B] [AM-95]
3C	BA-A2050C070E	PC(#) POWER ANP BLK AM-93(V) [V] [AM-95]
4A	BA-A2057A040A	PC(#) INPUT BLK AM-73(U) [U,E,B] [AM-75]
4B	BA-A2057A040B	PC(#) INPUT BLK AM-73(V) [V] [AM-75]
4C	BA-A2057A040C	PC(#) INPUT BLK AM-93(U) [U,E,B] [AM-95]
4D	BA-A2057A040D	PC(#) INPUT BLK AM-93(V) [V] [AM-95]
5	BA-A2064C050A	PC DAC BLK AM-95
6A	BA-A2050A030A	PC PH AMP BLK AM-93(U) [U,E,B] [AM-95]
6B	BA-A2050C030B	PC PH AMP BLK AM-93(V) [V] [AM-95]

PC(#) MAIN BLK CONSISTS OF FOLLOWING P.C BOARD

- MAIN AMP P.C BOARD
- SPEAKER TERMINAL P.C BOARD
- INDICATOR P.C BOARD
- POWER LED P.C BOARD
- HEADPHONE P.C BOARD
- REGULATOR P.C BOARD
- FUSE P.C BOARD (AM-75 ONLY)
- POWER SW P.C BOARD (AM-75 ONLY)
- TAPE P.C BOARD (AM-95 ONLY)

PC(#) POWER AMP BLK CONSISTS OF FOLLOWING P.C BOARD

- POWER P.C BOARD
- FUSE P.C BOARD
- POWER SW P.C BOARD
- TR P.C BOARD

PC(#) V AMP BLK CONSISTS OF FOLLOWING P.C BOARD

- V AMP P.C BOARD
- EQUALIZER P.C BOARD
- TR P.C BOARD

PC(#) INPUT BLK CONSISTS OF FOLLOWING P.C BOARD

- INPUT P.C BOARD
- TONE CONTROL P.C BOARD
- REC SELECTOR P.C BOARD

3. MAIN AMP P.C BOARD

Ref. No.	Part No.	Description
C1	EC-387907J	C EC V SNP 103M 63.0DC
C2	EC-387907J	C EC V SNP 103M 63.0DC
C30A	EC-377960	C PP V F05 CSF3 101J 125DC [AM-75]
C30B	EC-368039	C PP V F05 CSF3 221J 125DC [AM-95]
D1	*ED-382668J	D SILICON PB-112F
D2	ED-348990	D SILICON H DS446
D3	ED-348990	D SILICON H DS446
D4A	ED-348990	D SILICON H DS446 [AM-75]
D4B	ED-385575J	D SILICON H 1SS182FA F10 [AM-95]
D5A	ED-348990	D SILICON H DS446 [AM-75]
D5B	ED-385575J	D SILICON H 1SS182FA F10 [AM-95]
D6	ED-348990	D SILICON H DS446
D7	ED-301911	D SILICON H DS448
D8	ED-301911	D SILICON H DS448
D9	ED-301911	D SILICON H DS448
D10	*ED-379981J	D SILICON EG01LF-F4 F10 400/0.7A
D11	*ED-379981J	D SILICON EG01LF-F4 F10 400/0.7A
D12	*ED-379981J	D SILICON EG01LF-F4 F10 400/0.7A
D13	*ED-379981J	D SILICON EG01LF-F4 F10 400/0.7A
D14	ED-383034J	D LED SLR-54PC3F L,M GREEN
D15	ED-383034J	D LED SLR-54PC3F L,M GREEN
D16	ED-377933	D ZENER H HZ27-3LFA F10
D17	ED-377933	D ZENER H HZ27-3LFA F10
D18	ED-377933	D ZENER H HZ27-3LFA F10
D19	ED-377933	D ZENER H HZ27-3LFA F10
D20	*ED-379981J	D SILICON EG01LF-F4 F10 400/0.7A
D21	*ED-379981J	D SILICON EG01LF-F4 F10 400/0.7A
D22	ED-383034J	D LED SLR-54PC3F L,M GREEN
D23	ED-383034J	D LED SLR-54PC3F L,M GREEN
D24	ED-381270J	D ZENER H HZ33-1LFA F10
D25	ED-381270J	D ZENER H HZ33-1LFA F10
D26	ED-381270J	D ZENER H HZ33-1LFA F10
D27	ED-381270J	D ZENER H HZ33-1LFA F10
D28	ED-379981J	D SILICON EG01LF-F4 F10 400/0.7A
D29	ED-379981J	D SILICON EG01LF-F4 F10 400/0.7A
D30	ED-383034J	D LED SLR-54PC3F L,M GREEN
D31	ED-383034J	D LED SLR-54PC3F L,M GREEN
D32	ED-346564	D ZENER H HZ15-1L
D33	ED-346564	D ZENER H HZ15-1L
D34	*ED-379981J	D SILICON EG01LF-F4 F10 400/0.7A
D35	*ED-379981J	D SILICON EG01LF-F4 F10 400/0.7A
D36	*ED-379981J	D SILICON EG01LF-F4 F10 400/0.7A
D37	*ED-379981J	D SILICON EG01LF-F4 F10 400/0.7A
D38	ED-382611J	D LED PY5504S YELLOW
D39	ED-382611J	D LED PY5504S YELLOW
D40	ED-346557	D ZENER H HZ12A3L
D41	ED-346557	D ZENER H HZ12A3L
D42	ED-346529	D ZENER H HZ6C2L
D43	ED-346560	D ZENER H HZ12B3L
D44	*ED-379981J	D SILICON EG01LF-F4 F10 400/0.7A
D45	*ED-379981J	D SILICON EG01LF-F4 F10 400/0.7A
D46	ED-301911	D SILICON H DS448
D47	ED-301911	D SILICON H DS448
D101	ED-348990	D SILICON H DS446 [AM-95]
D102	ED-348990	D SILICON H DS446 [AM-95]
D103	ED-348990	D SILICON H DS446 [AM-95]
D104	ED-348990	D SILICON H DS446 [AM-95]
FL1	EH-388140J	FILTER EMI BL02RN1-R62 [AM-75]
FL2	EH-388140J	FILTER EMI BL02RN1-R62 [AM-75]
FL3	EH-388140J	FILTER EMI BL02RN1-R62 [AM-75]
IC1	EI-345474	IC HA12002

MC-Service

Ref. No.	Part No.	Description
L101	EO-332116	COIL FIX 2 103AK-006A 2R2K [AM-95]
RL101	EQ-379982J	RELAY POW G5R-2282P 2NO 48V [AM-95]
RL102	EQ-379982J	RELAY POW G5R-2282P 2NO 48V [AM-95]
RL103	EQ-348929	RELAY SIG G5A-237P 2TR 12V [AM-95]
R1	ER-382671J	R CB H S10 FS RDS 1/4W 6R8J [AM-75]
R2	ER-382671J	R CB H S10 FS RDS 1/4W 6R8J [AM-75]
R3	ER-382671J	R CB H S10 FS RDS 1/4W 6R8J [AM-75]
R4	ER-382671J	R CB H S10 FS RDS 1/4W 6R8J [AM-75]
R5	ER-368226	R CT P R33+R33 5W [AM-75]
R6	ER-368226	R CT P R33+R33 5W [AM-75]
R15	ER-372991	R CB H S10 FS RDS 1/4W 101J [AM-75]
R18	ER-381264J	R OMF H S20 FS 3W 332J
R22	ER-378499J	R CB H S10 FS RDS 1/4W 100J
R33	ER-382613J	R CB H S10 FS RDS 1/4W 331J
R34	ER-382613J	R CB H S10 FS RDS 1/4W 331J
R39	ER-382613J	R CB H S10 FS RDS 1/4W 331J
R40	ER-382613J	R CB H S10 FS RDS 1/4W 331J
R43	ER-324185	R CB H S10 FS RDS 1/4W 221J
R44	ER-324185	R CB H S10 FS RDS 1/4W 221J
R45	ER-378846J	R CB H S10 FS RDS 1/4W 102J
R49	ER-324185	R CB H S10 FS RDS 1/4W 221J
R50	ER-324185	R CB H S10 FS RDS 1/4W 221J
R51	ER-381265J	R OMF H S20 FS 3W 561J
R52	ER-381265J	R OMF H S20 FS 3W 561J
R54	ER-382614J	R CB H S10 FS RDS 1/4W 2R2J
R55	ER-382614J	R CB H S10 FS RDS 1/4W 2R2J
R56	ER-382614J	R CB H S10 FS RDS 1/4W 2R2J
R57	ER-382614J	R CB H S10 FS RDS 1/4W 2R2J
R58	ER-382614J	R CB H S10 FS RDS 1/4W 2R2J
R59	ER-382614J	R CB H S10 FS RDS 1/4W 2R2J
R101	ER-333023	R OMF H S20 FS 2W 100J [AM-95]
R102	ER-333023	R OMF H S20 FS 2W 100J [AM-95]
R103	ER-381265J	R OMF H S20 FS 3W 561J [AM-95]
TR1	ET-378524J	TR 2SC3383 S,T,U
TR3	ET-345460	TR 2SA1208 R,S,T
TR4	ET-360137	TR 2SC3330 U,V F05
TR5	ET-360137	TR 2SC3330 U,V F05
TR6	ET-345460	TR 2SA1208 R,S,T
TR7	ET-370038	TR 2SC2910 S,T
TR8	ET-345460	TR 2SA1208 R,S,T
TR9	ET-370038	TR 2SC2910 S,T
TR10	ET-352726	TR 2SA1392 T,U
TR11	ET-378524J	TR 2SC3383 S,T,U
TR12	*ET-345460	TR 2SA1208 R,S,T
TR13	*ET-370038	TR 2SC2910 S,T
TR14	*ET-359827	TR FET 2SK246 BL
TR15	*ET-349459	TR 2SD1406 O,Y,GR
TR901	*ET-368760	TR 2SC3855 P,Y [AM-75]
TR902	*ET-368760	TR 2SC3855 P,Y [AM-75]
TR903	*ET-368758	TR 2SA1491 P,Y [AM-75]
TR904	*ET-368758	TR 2SA1491 P,Y [AM-75]
F3A	*EF-327103	FUSE TSC A 250V 500MA [U]
F3B	*EF-623103	FUSE SEMKO T 250V 1.00A [E,V]
F3C	*EF-355226	FUSE BET T 250V 1.00A [B]
F4A	*EF-327103	FUSE TSC A 250V 500MA [U]

Ref. No.	Part No.	Description
F4B	*EF-623103	FUSE SEMKO T 250V 1.00A [E,V]
F4C	*EF-355226	FUSE BET T 250V 1.00A [B]
F5A	*EF-309388	FUSE TSC A 250V 800MA [U]
F5B	*EF-623103	FUSE SEMKO T 250V 1.00A [E,V]
F5C	*EF-355226	FUSE BET T 250V 1.00A [B]

4. SPEAKER TERMINAL P.C BOARD

Ref. No.	Part No.	Description
D101	ED-348990	D SILICON H DS446 [AM-75]
D102	ED-348990	D SILICON H DS446 [AM-75]
D103	ED-348990	D SILICON H DS446 [AM-75]
D104	ED-348990	D SILICON H DS446 [AM-75]
FL101	EH-388140J	FILTER EMI BL02RN1-R62 [V] [AM-75]
FL102	EH-388140J	FILTER EMI BL02RN1-R62 [V] [AM-75]
L101	EO-332116	COIL FIX 2 103AK-006A 2R2K [AM-75]
RL101	EQ-379982J	RELAY POW G5R-2282P 2NO 48V [AM-75]
RL102	EQ-379982J	RELAY POW G5R-2282P 2NO 48V [AM-75]
RL103	EQ-348929	RELAY SIG G5A-237P 2TR 12V [AM-75]
R101	ER-381266J	R OMF H S20 FS 3W 100J [AM-75]
R102	ER-381266J	R OMF H S20 FS 3W 100J [AM-75]
R103	ER-381265J	R OMF H S20 FS 3W 561J [AM-75]
TM901	EJ-379983J	TERMINAL W/SCREW YKD:1 -0338 8P [SPEAKER TERMINAL]

5. FUSE P.C BOARD

Ref. No.	Part No.	Description
L301A	EO-332116	COIL FIX 2 103AK-006A 2R2K [EXCEPT AM-95V]
L301B	EO-388137J	COIL FIX 2 103AK-006B 6R6K [V] [AM-95]
L302A	EO-332116	COIL FIX 2 103AK-006A 2R2K [U] [AM-95]
L302B	EO-388137J	COIL FIX 2 103AK-006B 6R6K [V] [AM-95]
F1A	*EF-306952	FUSE TSC A 250V 4.00A [U] [AM-75]
F1B	*EF-341260	FUSE TSC A 250V 8.00A [U] [AM-95]
F1C	*EF-690996	FUSE SEMKO T 250V 4.00A [E,V] [AM-75]
F1D	*EF-242605	FUSE SEMKO T 250V 6.30A [E,V] [AM-95]
F1E	*EF-359086	FUSE BET T 250V 4.00A [B] [AM-75]
F1F	*EF-355399	FUSE BET T 250V 5.00A [B] [AM-95]
F2A	*EF-306952	FUSE TSC A 250V 4.00A [U] [AM-75]
F2B	*EF-341260	FUSE TSC A 250V 8.00A [U] [AM-95]
1	EX-388136J	THERMISTOR 3D-22 [E,B,V] [AM-95]

6. TAPE P.C BOARD (AM-95)

Ref. No.	Part No.	Description
J1	EJ-336904	PIN J AJC-036-ACB P 6P [PLAY]
J2	EJ-336904	PIN J AJC-036-ACB P 6P [REC]

7. POWER SW P.C BOARD

Ref. No.	Part No.	Description
C401A	*EC-320548	C CE V F 103Z 250AC [U]
C401B	*EC-338496	C CE V DE7 FZ 472P 400AC [E.B]
C401C	*EH-386991J	SPARK QUENCHER XE120033 [V]
SW1	*ES-355407	SW PUSH ESB-99713V TV-8 [POWER SW]

8. INDICATOR P.C BOARD

Ref. No.	Part No.	Description
D501	ED-382620J	D LED PG5562X GREEN [DIGITAL]
D502	ED-382620J	D LED PG5562X GREEN [48KHZ]
D503	ED-382620J	D LED PG5562X GREEN [44KHZ]
D504	ED-382620J	D LED PG5562X GREEN [32KHZ]

9. POWER LED P.C BOARD

Ref. No.	Part No.	Description
D601	ED-361885	D LED SLP-384C-51 GREEN [POWER]
D602	ED-361885	D LED SLP-384C-51 GREEN [POWER]

10. HEADPHONE P.C BOARD

Ref. No.	Part No.	Description
J701	EJ-369995	PHONE J 3P HLJ0540-410 GP 6.3 [PHONES]

11. REGULATOR P.C BOARD

Ref. No.	Part No.	Description
TR801	*ET-385557J	TR 2SC3298 Y
TR802	*ET-385577J	TR 2SA1306 Y
TR803	*ET-345625	TR 2SC3116 S,T
TR804	*ET-345626	TR 2SA1248 S,T
TR805	*ET-345625	TR 2SC3116 S,T
TR806	*ET-345626	TR 2SA1248 S,T
TR807	*ET-345625	TR 2SC3116 S,T
TR808	*ET-345626	TR 2SA1248 S,T
TR809	*ET-345625	TR 2SC3116 S,T

12. POWER AMP P.C BOARD (AM-95)

Ref. No.	Part No.	Description
C1	EC-377960	C PP V F05 CSF3 101J 125DC
C10	EC-347375	C MC V F05 FE92 220J 500DC
C11	EC-347375	C MC V F05 FE92 220J 500DC
D1	ED-385575J	D SILICON H 1SS182FA F10
D2	ED-385575J	D SILICON H 1SS182FA F10
D3	ED-305655	D ZENER H HZ4 B3
D4	ED-305655	D ZENER H HZ4 B3
FL101	EH-383070J	FILTER EMI BL01RN1-A62
FL102	EH-383070J	FILTER EMI BL01RN1-A62
FL103	EH-383070J	FILTER EMI BL01RN1-A62
FL104	EH-383070J	FILTER EMI BL01RN1-A62
IC1	EI-362587	IC M5238L
R35	ER-378846J	R CB H S10 FS RDS 1/4W 102J
R37	ER-372991	R CB H S10 FS RDS 1/4W 101J
R38	ER-372991	R CB H S10 FS RDS 1/4W 101J
R39	ER-324186	R CB H S10 FS RDS 1/4W 681J
R40	ER-383007J	R OMF H S12 FS 1W 1R0J
R41	ER-383007J	R OMF H S12 FS 1W 1R0J
R42	ER-383007J	R OMF H S12 FS 1W 1R0J
R43	ER-383007J	R OMF H S12 FS 1W 1R0J
R44	ER-355214	R OMF H S15 FS 2W 151J
R46	ER-368226	R CT P R33+R33 5W
R47	ER-368226	R CT P R33+R33 5W
TR1	ET-354897	TR FET 2SK170 BL,GR,V
TR2	ET-357162	TR FET 2SJ74 GR,BL,V
TR3	ET-370038	TR 2SC2910 S,T
TR4	ET-345460	TR 2SA1208 R,S,T
TR5	ET-345460	TR 2SA1208 R,S,T
TR6	ET-370038	TR 2SC2910 S,T
TR7	ET-345460	TR 2SA1208 R,S,T
TR8	ET-345460	TR 2SA1208 R,S,T
TR9	ET-370038	TR 2SC2910 S,T
TR10	ET-370038	TR 2SC2910 S,T
TR11	ET-308141	TR 2SC2603 G F05
TR13	ET-370038	TR 2SC2910 S,T
TR14	ET-345460	TR 2SA1208 R,S,T
TR15	*ET-385557J	TR 2SC3298 Y
TR16	*ET-385577J	TR 2SA1306 Y
TR17	*ET-385559J	TR 2SC3856 P,Y
TR18	*ET-385559J	TR 2SC3856 P,Y
TR19	*ET-385561J	TR 2SA1492 P,Y
TR20	*ET-385561J	TR 2SA1492 P,Y
VR1	EV-330369	R S-FIX H RH1051C 0.15W222

MC-Service

13. V AMP P.C BOARD (AM-75)

Ref. No.	Part No.	Description
IC1	EI-362588	IC M5238P
J1	EJ-336904	PIN J AJC-036-ACB P 6P [TAPE]
J2	EJ-336904	PIN J AJC-036-ACB P 6P [TAPE]
R28	ER-378498J	R CB H S10 FS RDS 1/4W 682J
R36	ER-378499J	R CB H S10 FS RDS 1/4W 100J
R37	ER-378499J	R CB H S10 FS RDS 1/4W 100J
R45	ER-382603J	R CB H S10 FS RDS 1/4W 471J
R46	ER-382603J	R CB H S10 FS RDS 1/4W 471J
R47	ER-382603J	R CB H S10 FS RDS 1/4W 471J
TR1	ET-354897	TR FET 2SK170 BL,GR,V
TR2	ET-357162	TR FET 2SJ74 GR,BL,V
TR3	ET-370038	TR 2SC2910 S,T
TR4	ET-345460	TR 2SA1208 R,S,T
TR5	ET-345460	TR 2SA1208 R,S,T
TR6	ET-370038	TR 2SC2910 S,T
TR7	ET-370038	TR 2SC2910 S,T
TR8	ET-370038	TR 2SC2910 S,T
TR9	ET-345460	TR 2SA1208 R,S,T
TR10	ET-370038	TR 2SC2910 S,T
TR11	ET-348829	TR 2SA1209 S,T
TR12	ET-348831	TR 2SC2911 S,T
TR13	ET-348831	TR 2SC2911 S,T
TR14	ET-348829	TR 2SA1209 S,T
TR15	ET-345625	TR 2SC3116 S,T
TR16	ET-345626	TR 2SA1248 S,T

14. EQUALIZER P.C BOARD (AM-75)

Ref. No.	Part No.	Description
D101	ED-383034J	D LED SLR-54PC3F L,M GREEN
D102	ED-343410	D ZENER H HZ6A1L
D103	ED-343410	D ZENER H HZ6A1L
J101	EJ-336904	PIN J AJC-036-ACB P 6P [PHONO/CD/TUNER]
J102	EJ-336904	PIN J AJC-036-ACB P 6P [AUX/PROCESSOR]
R127	ER-382604J	R CB H S10 FS RDS 1/4W 390J
R128	ER-382604J	R CB H S10 FS RDS 1/4W 390J
TR101	ET-354897	TR FET 2SK170 BL,GR,V
TR102	ET-357162	TR FET 2SJ74 GR,BL,V
TR103	ET-352726	TR 2SA1392 T,U
TR104	ET-378524J	TR 2SC3383 S,T,U
TR105	ET-378524J	TR 2SC3383 S,T,U
TR106	ET-352726	TR 2SA1392 T,U
VR101	EV-360948	R S-FIX V RVF8W01 0/10W 104

15. TR P.C BOARD (AM-75)

Ref. No.	Part No.	Description
D201	ED-301911	D SILICON H DS448
TR905	ET-348831	TR 2SC2911 S,T
VR201	EV-346380	R S-FIX H RH1051C 0.15W 332

16. TR P.C BOARD (AM-95)

Ref. No.	Part No.	Description
TR12	ET-348829	TR 2SA1209 S,T

17. EQUALIZER P.C BOARD (AM-95)

Ref. No.	Part No.	Description
C102	EC-334015	C EC V CUT NP SM 102M 6.3DC
C150	EC-347408	C MC V F05 FE92 101J 500DC
C201	EC-382572J	C PC MKC1862 334K 100DC
D101	ED-301911	D SILICON H DS448
D102	ED-301911	D SILICON H DS448
D301	ED-346570	D ZENER H HZ18-3L
D302	ED-346570	D ZENER H HZ18-3L
FL101	EH-383070J	FILTER EMI BL01RN1-A62
FL102	EH-383070J	FILTER EMI BL01RN1-A62
IC201	EI-362588	IC M5238P
J101	EJ-336904	PIN J AJC-036-ACB P 6P [PHONO/CD/TUNER]
J102	EJ-336904	PIN J AJC-036-ACB P 6P [AUX/PROCESSOR]
L101	EO-353587	COIL FIX 1 LAP02 F05 220K
L102	EO-353587	COIL FIX 1 LAP02 F05 220K
R127	ER-382604J	R CB H S10 FS RDS 1/4W 390J
R128	ER-382604J	R CB H S10 FS RDS 1/4W 390J
R301	*ER-338000	R FUSE H S10 ERD2FC 1/4W 2200G
R302	*ER-338000	R FUSE H S10 ERD2FC 1/4W 2200G
SW101	ES-385552J	SW REMOTE S SSSR24 [CARTRIDGE]
TR101	ET-354897	TR FET 2SK170 BL,GR,V
TR102	ET-357162	TR FET 2SJ74 GR,BL,V
TR103	ET-352726	TR 2SA1392 T,U
TR104	ET-378524J	TR 2SC3383 S,T,U
TR105	ET-378524J	TR 2SC3383 S,T,U
TR106	ET-352726	TR 2SA1392 T,U
TR201	ET-353899	TR 2SA1317 S,T,U
TR202	ET-360137	TR 2SC3330 U,V F05
TR301	ET-371028	TR 2SD1266 P,Q
TR302	ET-354601	TR 2SB941 P,Q
VR201	EV-347942	R S-FIX V RVF8W01 0.10 502

18. INPUT P.C BOARD

Ref. No.	Part No.	Description
D1	ED-343410	D ZENER H HZ6A1L
SW301	ES-379986J	SW ROTARY SRRZS6 2-06-06N [INPUT SELECTOR]
SW302	ES-379987J	SW ROTARY SRRZS6 2-06-03N [TAPE SELECTOR]
SW303	ES-379988J	SW ROTARY SRRZS8 2-08-03N [DIRECT OPERATION]
SW304	ES-379984J	SW ROTARY SRRZS4 2-04-04N [DIGITAL INPUT]
TR1	ET-360646	TR DTA143ES
TR2	ET-360646	TR DTA143ES
TR3	ET-360646	TR DTA143ES
VR1	EV-387949J	VR ROTARY RK18114A0 A 104-X4 [MAIN VOLUME]

19. TONE CONTROL P.C BOARD

Ref. No.	Part No.	Description
IC1	EI-344764	IC M5218P-21
SW1	ES-379984J	SW ROTARY SRRZS4 2-04-04N [SPEAKER SELECTOR]
VR1	EV-379992J	VR ROTARY RK1631210 C 104-X2 [BASS CONTROL]
VR2	EV-379993J	VR ROTARY RK1631210 C 104-X2 [TREBLE CONTROL]

20. REC SELECTOR P.C BOARD

Ref. No.	Part No.	Description
SW1	ES-379986J	SW ROTARY SRRZS6 2-06-06N [REC SELECTOR]
SW2	ES-379988J	SW ROTARY SRRZS8 2-08-03N [TAPE SELECTOR]
SW3	ES-378941J	SW PUSH SPUL12 2-04-02S [MUTE]
VR1	EV-379994J	VR ROTARY RK1631110 SPL W104 [BALANCE]

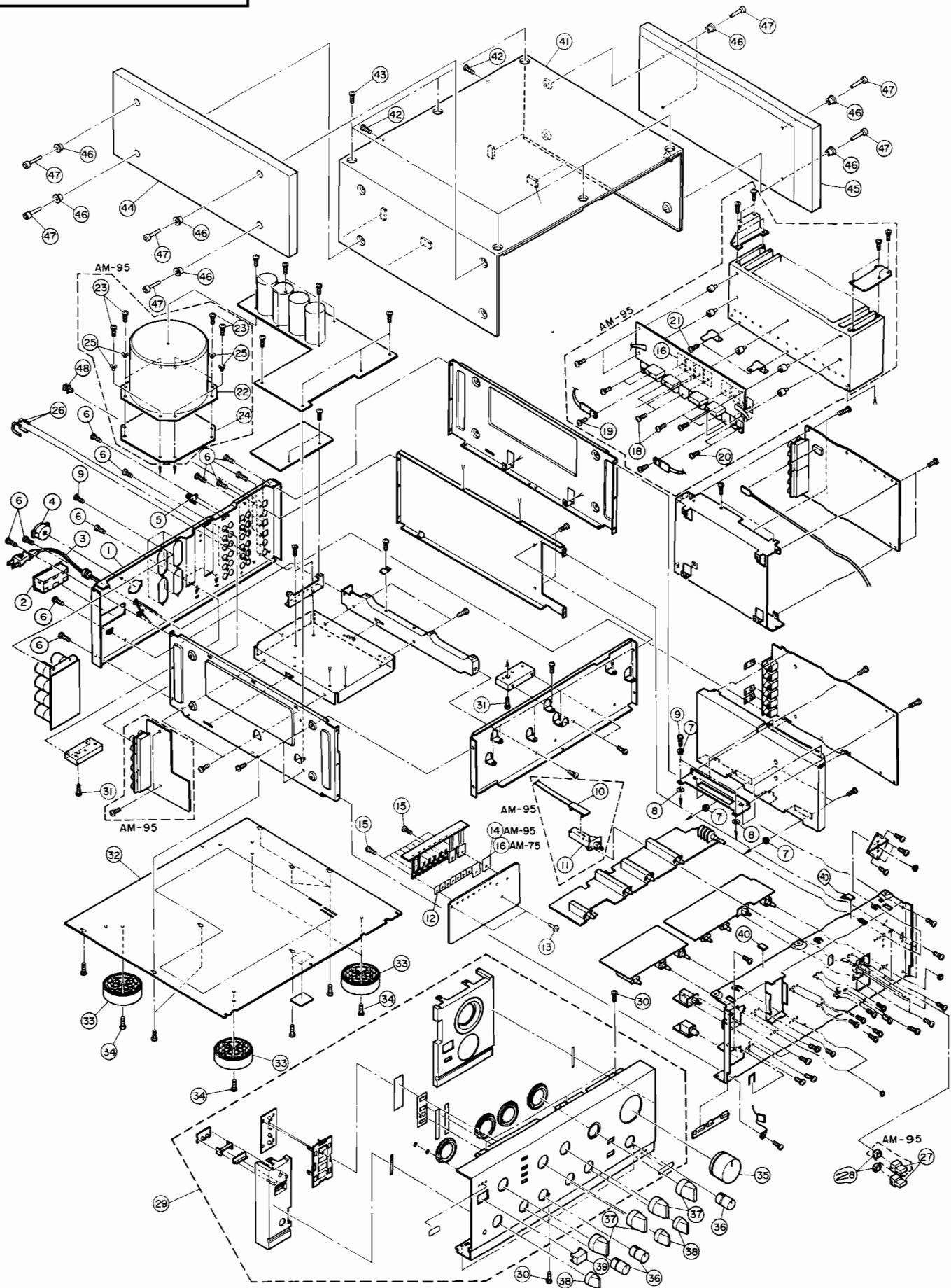
Ref. No.	Part No.	Description
TR13	ET-378524J	TR 2SC3383 S,T,U
TR14	ET-378524J	TR 2SC3383 S,T,U
TR15	ET-378524J	TR 2SC3383 S,T,U
TR16	ET-354370	TR DTA124ES
TR17	ET-354370	TR DTA124ES
TR18	ET-354370	TR DTA124ES
T1	BT-368261	TRANS PULSE TC-1027-04

21. DAC P.C BOARD

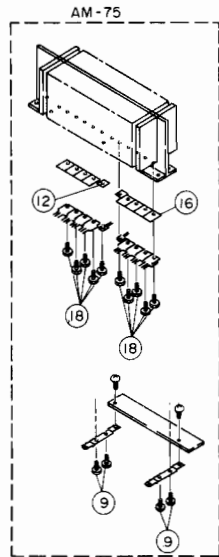
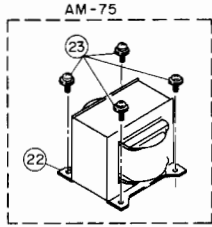
Ref. No.	Part No.	Description
D1	ED-624903	D SILICON H 1S2473
D2	ED-624903	D SILICON H 1S2473
D3	ED-624903	D SILICON H 1S2473
D4	ED-624903	D SILICON H 1S2473
D5	ED-624903	D SILICON H 1S2473
D6	ED-624903	D SILICON H 1S2473
D7	ED-624903	D SILICON H 1S2473
D8	ED-624903	D SILICON H 1S2473
IC1	EI-390063J	IC PD0037
IC2	EI-360040J1	IC TC74HCU04AP
IC3	EI-360040J1	IC TC74HCU04AP
IC4	EI-360040J1	IC TC74HCU04AP
IC5	EI-360037J1	IC TC74HC00AP
IC6	EI-360037J1	IC TC74HC00AP
IC7	EI-360027	IC TC74HC86P
IC8	EI-390995J	IC MN6471M
IC9	EI-390996J	IC FAR-18M432-D300
IC10	EI-362588	IC M5238P
IC11	EI-360225	IC NJM5532D
J1	EJ-385272J	SOCKET OPTICAL TORX174 [DIGITAL 1 IN]
J2	EJ-385272J	SOCKET OPTICAL TORX174 [DIGITAL 3 IN]
J3	EJ-383549J	SOCKET OPTICAL T0TX174 [DIGITAL 3 OUT]
J4	EJ-377170	PIN J YKB11-0473 GP ORANGE 1P [DIGITAL 2 IN]
J5	EJ-377170	PIN J YKB11-0473 GP ORANGE 1P [DIGITAL 4 IN]
J6	EJ-377170	PIN J YKB11-0473 GP ORANGE 1P [DIGITAL 4 OUT]
L1	EO-318379	COIL FIX 1 LAL04 101K
L2	EO-345927	COIL FIX 1 LAL03KH 101K
L3	EO-345927	COIL FIX 1 LAL03KH 101K
L4	EO-345909	COIL FIX 1 LAL03KH 4R7K
L5	EO-349462	COIL FIX 2 U147
L6	EO-349462	COIL FIX 2 U147
L7	EO-345904	COIL FIX 1 LAL03KH 1R5M
L8	EO-345927	COIL FIX 1 LAL03KH 101K
L10	EO-345927	COIL FIX 1 LAL03KH 101K
L11	EO-345922	COIL FIX 1 LAL03KH 470K
L12	EO-345922	COIL FIX 1 LAL03KH 470K
L13	EO-345922	COIL FIX 1 LAL03KH 470K
L14	EO-345909	COIL FIX 1 LAL03KH 4R7K
L15	EO-345909	COIL FIX 1 LAL03KH 4R7K
TR1	ET-354371	TR DTC124ES
TR2	ET-352726	TR 2SA1392 T,U
TR3	ET-354371	TR DTC124ES
TR4	ET-354371	TR DTC124ES
TR5	ET-354370	TR DTA124ES
TR6	ET-354370	TR DTA124ES
TR7	ET-338410	TR 2SC2878 A,B
TR8	ET-338410	TR 2SC2878 A,B
TR9	ET-354371	TR DTC124ES
TR10	ET-356336	TR DTA114ES
TR11	ET-354371	TR DTC124ES
TR12	ET-356336	TR DTA114ES

MC-Service

FINAL ASSEMBLY BLOCK



PARTS LIST



22. FAINAL ASSEMBLY BLOCK

Ref. No.	Part No.	Description
1A	SP-391759J	PANEL REAR AM-75(U) [U] [AM-75]
1B	SP-391760J	PANEL REAR AM-75(E,V) [E,V] [AM-75]
1C	SP-391761J	PANEL REAR AM-75(B) [B] [AM-75]
1D	SP-391755J	PANEL REAR AM-95(U) [U] [AM-95]
1E	SP-391756J	PANEL REAR AM-95(E,V) [E,V] [AM-95]
1F	SP-391757J	PANEL REAR AM-95(B) [B] [AM-95]
2	*EJ-337405	SOCKET OUT S2T733T164 JUC 3X2P [U]
3A	*EW-363658	AC CORD 200 0129AVFF B100 A U/ [U]
3B	*EW-363671	AC CORD 200 0364 LCFL B100 A E [E,V]
3C	*EW-363683	AC CORD 200 LCFL B100 A B [B]
4	*ES-349070	SW SELECTOR YKS11-0002 02-4 [U] [VOLTAGE SELECTOR]
5	EJ-329610	TERMINAL W/SCREW UB-0067 L 1P
6	ZS-308846	T2BR30X08STL BZN PROJECTION
7	EZ-250356	INSULATOR BUSH AC311
8	ZW-383864J	WASHER INSULATE
9	ZS-447840	T2BR30X08STL CMT

Ref. No.	Part No.	Description
10	ES-385553J	SW REMOTE O SPUR12 [AM-95]
11	ES-385576J	SW REMOTE B SWWR10 [AM-95]
12	EZ-200473	SILICON RUBBER SHEET TC-30
13	ZS-379350	PAN30X06STL CMT
14	EZ-387958J	TR SUPPORT BFG-20AD TO-3P [AM-95]
15	ZS-379405	BID30X06STL CMT
16	EZ-345459	TR SUPPORT BFG-20T0-3P
18	ZS-380046	PAN30X10STL CMT
19	ZS-413785	BID30X12STL CMT [AM-95]
20	ZS-321298	BID30X08STL CMT [AM-95]
21	ZS-381181J	+6B40X060STL CMT [AM-95]
22A	*BT-379958J	TRANS POW A2057(U) [U] [AM-75]
22B	*BT-379962J1	TRANS POW A2057(EV) [E,V] [AM-75]
22C	*BT-379963J1	TRANS POW A2057(B) [B] [AM-75]
22D	*BT-385569J	TRANS POW A2050(U) [U] [AM-95]
22E	*BT-385572J	TRANS POW A2050(EV) [E,V] [AM-95]
22F	*BT-385573J	TRANS POW A2050(B) [B] [AM-95]
23	ZS-365373	ST BID40X10STL CMT CUP
24	SZ-385531J	SHEET PREVENT SHAKING [AM-95]
25	ZW-385530J	BUSH TRANS [AM-95]
26	EJ-348218	PLUG SHORT PIN P2138
27	SK-379900J	KNOB MUTE
28	ZW-368205	FLEXIBLE RING 2414-0-0-086-01
29A	BD-A2057A060C	PANEL FRONT BLK AM-75-B [AM-75]
29B	BD-A2050C060B	PANEL FRONT BLK AM-95-B [AM-95]
30	ZS-308846	T2BR30X08STL BZN PROJECTION
31	ZS-565942	T2PAN40X08STL CMT [AM-95]
32	SC-379906J	COVER BOTTOM
33A	SA-384105J	FOOT ROUND SHAPED(N) [AM-75]
33B	SA-384387J	FOOT ROUND SHAPED(N)(2) [AM-95]
34	ZS-304021	ST BID40X12STL CMT
35	SK-379887J1	KNOB VR B PART
36	SK-379898J1	KNOB BALANCE PART
37	SK-379893J1	KNOB SELECTOR PART
38	SK-379896J1	KNOB SP PART
39	SK-373236B	KNOB POWER-B
40	ZW-381273J	SPACER
41A	SP-379905J	CAVER UPPER(2) B [EXCEPT AM-95E/V/B]
41B	SP-381237J	COVER UPPER B [E,V,B] [AM-95]
42	ZS-308846	T2BR30X08STL BZN PROJECTION
43	ZS-381482J	SCREW TOP COVER(3) B OM
44	SP-381364J	SIDE BOARD(L)
45	SP-381365J	SIDE BOARD(R)
46	ZW-376292	WASHER SIDE BOARD
47	ZS-376293	SCREW SIDE BOARD
48	SZ-725384J	CAP OPTICAL PROTECTOR

NOTE:
Parts will not be supplied if they are not listed in the parts list, even if they appear on the assembling illustrations with reference No.

INDEX

Part No.	Ref. No.	Part No.	Ref. No.	Part No.	Ref. No.	Part No.	Ref. No.
BA-A2050A030A	2-6A	ED-348990	3-D6	EF-341260	5-F1B	EO-332116	5-L302A
BA-A2050A070A	2-3A	ED-348990	3-D101	EF-341260	5-F2B	EO-345904	21-L7
BA-A2050C020A	2-1D	ED-348990	3-D102	EF-355226	1-27	EO-345909	21-L4
BA-A2050C020D	2-1E	ED-348990	3-D103	EF-355226	3-F3C	EO-345909	21-L14
BA-A2050C020E	2-1F	ED-348990	3-D104	EF-355226	3-F4C	EO-345909	21-L15
BA-A2050C030B	2-6B	ED-348990	4-D101	EF-355226	3-F5C	EO-345922	21-L11
BA-A2050C070D	2-3B	ED-348990	4-D102	EF-355399	1-29	EO-345922	21-L12
BA-A2050C070E	2-3C	ED-348990	4-D103	EF-355399	5-F1F	EO-345922	21-L13
BA-A2057A020A	2-1A	ED-348990	4-D104	EF-359086	1-28	EO-345927	21-L2
BA-A2057A020D	2-1B	ED-361885	1-10	EF-359086	5-F1E	EO-345927	21-L3
BA-A2057A020E	2-1C	ED-361885	9-D601	EF-623103	1-30	EO-345927	21-L8
BA-A2057A030A	2-2A	ED-361885	9-D602	EF-623103	3-F3B	EO-345927	21-L10
BA-A2057A030C	2-2B	ED-377933	1-22	EF-623103	3-F4B	EO-349462	21-L5
BA-A2057A040A	2-4A	ED-377933	3-D16	EF-623103	3-F5B	EO-349462	21-L6
BA-A2057A040B	2-4B	ED-377933	3-D17	EF-690996	1-31	EO-353587	17-L101
BA-A2057A040C	2-4C	ED-377933	3-D18	EF-690996	5-F1C	EO-353587	17-L102
BA-A2057A040D	2-4D	ED-377933	3-D19	EH-383070J	1-37	EO-388137J	5-L301B
BA-A2064C050A	2-5	ED-379981J	1-12	EH-383070J	12-FL101	EO-388137J	5-L302B
BD-A2050C060B	22-29B	ED-379981J	3-D10	EH-383070J	12-FL102	EQ-348929	1-51
BD-A2057A060C	22-29A	ED-379981J	3-D11	EH-383070J	12-FL103	EQ-348929	3-RL103
BT-368261	1-7	ED-379981J	3-D12	EH-383070J	12-FL104	EQ-348929	4-RL103
BT-368261	21-T1	ED-379981J	3-D13	EH-383070J	17-FL101	EQ-379982J	1-50
BT-379958J	1-6	ED-379981J	3-D20	EH-383070J	17-FL102	EQ-379982J	3-RL101
BT-379958J	22-22A	ED-379981J	3-D21	EH-386991J	7-C401C	EQ-379982J	3-RL102
BT-379962J1	1-5	ED-379981J	3-D28	EH-388140J	1-38	EQ-379982J	4-RL101
BT-379962J1	22-22B	ED-379981J	3-D29	EH-388140J	3-FL1	EQ-379982J	4-RL102
BT-379963J1	1-4	ED-379981J	3-D34	EH-388140J	3-FL2	ER-324185	3-R43
BT-379963J1	22-22C	ED-379981J	3-D35	EH-388140J	3-FL3	ER-324185	3-R44
BT-385569J	1-3	ED-379981J	3-D36	EH-388140J	4-FL101	ER-324185	3-R49
BT-385569J	22-22D	ED-379981J	3-D37	EH-388140J	4-FL102	ER-324185	3-R50
BT-385572J	1-2	ED-379981J	3-D44	EI-344764	1-42	ER-324186	12-R39
BT-385572J	22-22E	ED-379981J	3-D45	EI-344764	19-IC1	ER-333023	3-R101
BT-385573J	1-1	ED-381270J	1-23	EI-345474	1-40	ER-333023	3-R102
BT-385573J	22-22F	ED-381270J	3-D24	EI-345474	3-IC1	ER-338000	17-R301
EC-320548	7-C401A	ED-381270J	3-D25	EI-360027	1-49	ER-338000	17-R302
EC-334015	17-C102	ED-381270J	3-D26	EI-360027	21-IC7	ER-355214	12-R44
EC-338496	7-C401B	ED-381270J	3-D27	EI-360037J1	1-48	ER-368226	3-R5
EC-347375	12-C10	ED-382611J	1-9	EI-360037J1	21-IC5	ER-368226	3-R6
EC-347375	12-C11	ED-382611J	3-D38	EI-360037J1	21-IC6	ER-368226	12-R46
EC-347408	17-C150	ED-382611J	3-D39	EI-360040J1	1-47	ER-368226	12-R47
EC-368039	3-C30B	ED-382620J	1-8	EI-360040J1	21-IC2	ER-372991	3-R15
EC-377960	3-C30A	ED-382620J	8-D501	EI-360040J1	21-IC3	ER-372991	12-R37
EC-377960	12-C1	ED-382620J	8-D502	EI-360040J1	21-IC4	ER-372991	12-R38
EC-382572J	17-C201	ED-382620J	8-D503	EI-360225	1-45	ER-378498J	13-R28
EC-387907J	3-C1	ED-382620J	8-D504	EI-360225	21-IC11	ER-378499J	3-R22
EC-387907J	3-C2	ED-382668J	1-17	EI-362587	1-43	ER-378499J	13-R36
ED-301911	1-14	ED-382668J	3-D1	EI-362587	12-IC1	ER-378499J	13-R37
ED-301911	3-D7	ED-383034J	1-11	EI-362588	1-44	ER-378846J	3-R45
ED-301911	3-D8	ED-383034J	3-D14	EI-362588	13-IC1	ER-378846J	12-R35
ED-301911	3-D9	ED-383034J	3-D15	EI-362588	17-IC201	ER-381264J	3-R18
ED-301911	3-D46	ED-383034J	3-D22	EI-362588	21-IC10	ER-381265J	3-R51
ED-301911	3-D47	ED-383034J	3-D23	EI-390063J	1-46	ER-381265J	3-R52
ED-301911	15-D201	ED-383034J	3-D30	EI-390063J	21-IC1	ER-381265J	3-R103
ED-301911	17-D101	ED-383034J	3-D31	EI-390995J	1-41	ER-381265J	4-R103
ED-301911	17-D102	ED-383034J	14-D101	EI-390995J	21-IC8	ER-381266J	4-R101
ED-305655	1-24	ED-385575J	1-15	EI-390996J	1-39	ER-381266J	4-R102
ED-305655	12-D3	ED-385575J	3-D4B	EI-390996J	21-IC9	ER-382603J	13-R45
ED-305655	12-D4	ED-385575J	3-D5B	EJ-329610	22-5	ER-382603J	13-R46
ED-343410	1-25	ED-385575J	12-D1	EJ-336904	6-J1	ER-382603J	13-R47
ED-343410	14-D102	ED-385575J	12-D2	EJ-336904	6-J2	ER-382604J	14-R127
ED-343410	14-D103	ED-624903	1-16	EJ-336904	13-J1	ER-382604J	14-R128
ED-343410	18-D1	ED-624903	21-D1	EJ-336904	13-J2	ER-382604J	17-R127
ED-346529	1-26	ED-624903	21-D2	EJ-336904	14-J101	ER-382604J	17-R128
ED-346529	3-D42	ED-624903	21-D3	EJ-336904	14-J102	ER-382613J	3-R33
ED-346557	1-18	ED-624903	21-D4	EJ-336904	17-J101	ER-382613J	3-R34
ED-346557	3-D40	ED-624903	21-D5	EJ-336904	17-J102	ER-382613J	3-R39
ED-346557	3-D41	ED-624903	21-D6	EJ-337405	22-2	ER-382613J	3-R40
ED-346560	1-19	ED-624903	21-D7	EJ-348218	22-26	ER-382614J	3-R54
ED-346560	3-D43	ED-624903	21-D8	EJ-369995	10-J701	ER-382614J	3-R55
ED-346564	1-20	EF-242605	1-32	EJ-377170	21-J4	ER-382614J	3-R56
ED-346564	3-D32	EF-242605	5-F1D	EJ-377170	21-J5	ER-382614J	3-R57
ED-346564	3-D33	EF-306952	1-33	EJ-377170	21-J6	ER-382614J	3-R58
ED-346570	1-21	EF-306952	5-F1A	EJ-379983J	4-TM901	ER-382614J	3-R59
ED-346570	17-D301	EF-306952	5-F2A	EJ-383549J	21-J3	ER-382671J	3-R1
ED-346570	17-D302	EF-309388	1-36	EJ-385272J	21-J1	ER-382671J	3-R2
ED-348990	1-13	EF-309388	3-F5A	EJ-385272J	21-J2	ER-382671J	3-R3
ED-348990	3-D2	EF-327103	1-34	EO-318379	21-L1	ER-382671J	3-R4
ED-348990	3-D3	EF-327103	3-F3A	EO-332116	3-L101	ER-383007J	12-R40
ED-348990	3-D4A	EF-327103	3-F4A	EO-332116	4-L101	ER-383007J	12-R41
ED-348990	3-D5A	EF-341260	1-35	EO-332116	5-L301A	ER-383007J	12-R42

MC-Service

MC-Service

Part No.	Ref. No.	Part No.	Ref. No.	Part No.	Ref. No.	Part No.	Ref. No.
ER-383007J	12-R43	ET-354371	21-TR11	EV-387949J	1-90		
ES-349070	1-60	ET-354601	1-74	EV-387949J	18-VR1		
ES-349070	22-4	ET-354601	17-TR302	EW-363658	1-92		
ES-355407	1-52	ET-354897	1-65	EW-363658	22-3A		
ES-355407	7-SW1	ET-354897	12-TR1	EW-363671	1-93		
ES-378941J	1-53	ET-354897	13-TR1	EW-363671	22-3B		
ES-378941J	20-SW3	ET-354897	14-TR101	EW-363683	1-91		
ES-379984J	1-56	ET-354897	17-TR101	EW-363683	22-3C		
ES-379984J	18-SW304	ET-356336	1-61	EX-388136J	5-1		
ES-379984J	19-SW1	ET-356336	21-TR10	EZ-200473	22-12		
ES-379986J	1-58	ET-356336	21-TR12	EZ-250356	22-7		
ES-379986J	18-SW301	ET-357162	1-64	EZ-345459	22-16		
ES-379986J	20-SW1	ET-357162	12-TR2	EZ-387958J	22-14		
ES-379987J	1-57	ET-357162	13-TR2	SA-384105J	22-33A		
ES-379987J	18-SW302	ET-357162	14-TR102	SA-384387J	22-33B		
ES-379988J	1-59	ET-357162	17-TR102	SC-379906J	22-32		
ES-379988J	18-SW303	ET-359827	1-66	SK-373236B	22-39		
ES-379988J	20-SW2	ET-359827	3-TR14	SK-379887J1	22-35		
ES-385552J	17-SW101	ET-360137	1-81	SK-379893J1	22-37		
ES-385553J	1-55	ET-360137	3-TR4	SK-379896J1	22-38		
ES-385553J	22-10	ET-360137	3-TR5	SK-379898J1	22-36		
ES-385576J	1-54	ET-360137	17-TR202	SK-379900J	22-27		
ES-385576J	22-11	ET-360646	1-62	SP-379905J	22-41A		
ET-308141	1-75	ET-360646	18-TR1	SP-381237J	22-41B		
ET-308141	12-TR11	ET-360646	18-TR2	SP-381364J	22-44		
ET-338410	1-76	ET-360646	18-TR3	SP-381365J	22-45		
ET-338410	21-TR7	ET-368758	1-72	SP-391755J	22-1D		
ET-368410	21-TR8	ET-368758	3-TR903	SP-391756J	22-1E		
ET-345460	1-67	ET-368758	3-TR904	SP-391757J	22-1F		
ET-345460	3-TR3	ET-368760	1-83	SP-391759J	22-1A		
ET-345460	3-TR6	ET-368760	3-TR901	SP-391760J	22-1B		
ET-345460	3-TR8	ET-368760	3-TR902	SP-391761J	22-1C		
ET-345460	3-TR12	ET-370038	1-77	SZ-385531J	22-24		
ET-345460	12-TR4	ET-370038	3-TR7	SZ-725384J	22-48		
ET-345460	12-TR5	ET-370038	3-TR9	ZS-304021	22-34		
ET-345460	12-TR7	ET-370038	3-TR13	ZS-308846	22-6		
ET-345460	12-TR8	ET-370038	12-TR3	ZS-308846	22-30		
ET-345460	12-TR14	ET-370038	12-TR6	ZS-308846	22-42		
ET-345460	13-TR4	ET-370038	12-TR9	ZS-321298	22-20		
ET-345460	13-TR5	ET-370038	12-TR10	ZS-365373	22-23		
ET-345460	13-TR9	ET-370038	12-TR13	ZS-376293	22-47		
ET-345625	1-79	ET-370038	13-TR3	ZS-379350	22-13		
ET-345625	11-TR803	ET-370038	13-TR6	ZS-379405	22-15		
ET-345625	11-TR805	ET-370038	13-TR7	ZS-380046	22-18		
ET-345625	11-TR807	ET-370038	13-TR8	ZS-381181J	22-21		
ET-345625	11-TR809	ET-370038	13-TR10	ZS-381482J	22-43		
ET-345625	13-TR4	ET-371028	1-85	ZS-413785	22-19		
ET-345626	1-69	ET-371028	17-TR301	ZS-447840	22-9		
ET-345626	11-TR804	ET-378524J	1-82	ZS-565942	22-31		
ET-345626	11-TR806	ET-378524J	3-TR1	ZW-368205	22-28		
ET-345626	11-TR808	ET-378524J	3-TR11	ZW-376292	22-46		
ET-345626	13-TR16	ET-378524J	14-TR104	ZW-381273J	22-40		
ET-348829	1-68	ET-378524J	14-TR105	ZW-383864J	22-8		
ET-348829	13-TR11	ET-378524J	17-TR104	ZW-385530J	22-25		
ET-348829	13-TR14	ET-378524J	17-TR105				
ET-348829	16-TR12	ET-378524J	21-TR13				
ET-348831	1-78	ET-378524J	21-TR14				
ET-348831	13-TR12	ET-378524J	21-TR15				
ET-348831	13-TR13	ET-385557J	1-80				
ET-348831	15-TR905	ET-385557J	11-TR801				
ET-349459	1-86	ET-385557J	12-TR15				
ET-349459	3-TR15	ET-385559J	1-84				
ET-352726	1-71	ET-385559J	12-TR17				
ET-352726	3-TR10	ET-385559J	12-TR18				
ET-352726	14-TR103	ET-385561J	1-73				
ET-352726	14-TR106	ET-385561J	12-TR19				
ET-352726	17-TR103	ET-385561J	12-TR20				
ET-352726	17-TR106	ET-385577J	1-70				
ET-352726	21-TR2	ET-385577J	11-TR802				
ET-353899	17-TR201	ET-385577J	12-TR16				
ET-354370	21-TR5	EV-330369	12-VR1				
ET-354370	21-TR6	EV-346380	15-VR201				
ET-354370	21-TR16	EV-347942	17-VR201				
ET-354370	21-TR17	EV-360948	14-VR101				
ET-354370	21-TR18	EV-379992J	1-88				
ET-354371	1-63	EV-379992J	19-VR1				
ET-354371	21-TR1	EV-379993J	1-89				
ET-354371	21-TR3	EV-379993J	19-VR2				
ET-354371	21-TR4	EV-379994J	1-87				
ET-354371	21-TR9	EV-379994J	20-VR1				

ABBREVIATIONS (AMPLIFIER)

ABBREVIATIONS	EXPLANATION
A	Analog
AC	Alternating Current
AMP	AMPLifier
CD	Compact Disc
COM	COMmon
D	Digital
D/A	Digital to Analog
DAC	Digital to Analog Converter
DAT	Digital Audio Tape recorder
DC	Direct Current
GND	GrouND
L	Left
LED	Light Emitting Diode
MC	Moving Coil
MM	Moving Magnet
PCB	Printed Circuit Board
R	Right
REG.	REGulator
REC	RECord
TR	TRansistor
SW	SWitch
V.AMP	Voltage AMPLifier
V.DISC	Video DISC
VR	Variable Resistance
VTR	Video Tape Recorder

AKAI ELECTRIC CO., LTD.

12-14, 2-Chome, Higashi-Kojiya, Ohta-ku, Tokyo, Japan
SERVICE DEPARTMENT TEL:TOKYO (745)9884 TELEX: J26261
Printed No 890722-A1-1700 Printed Date September 4, 1989
950 Printed in Japan

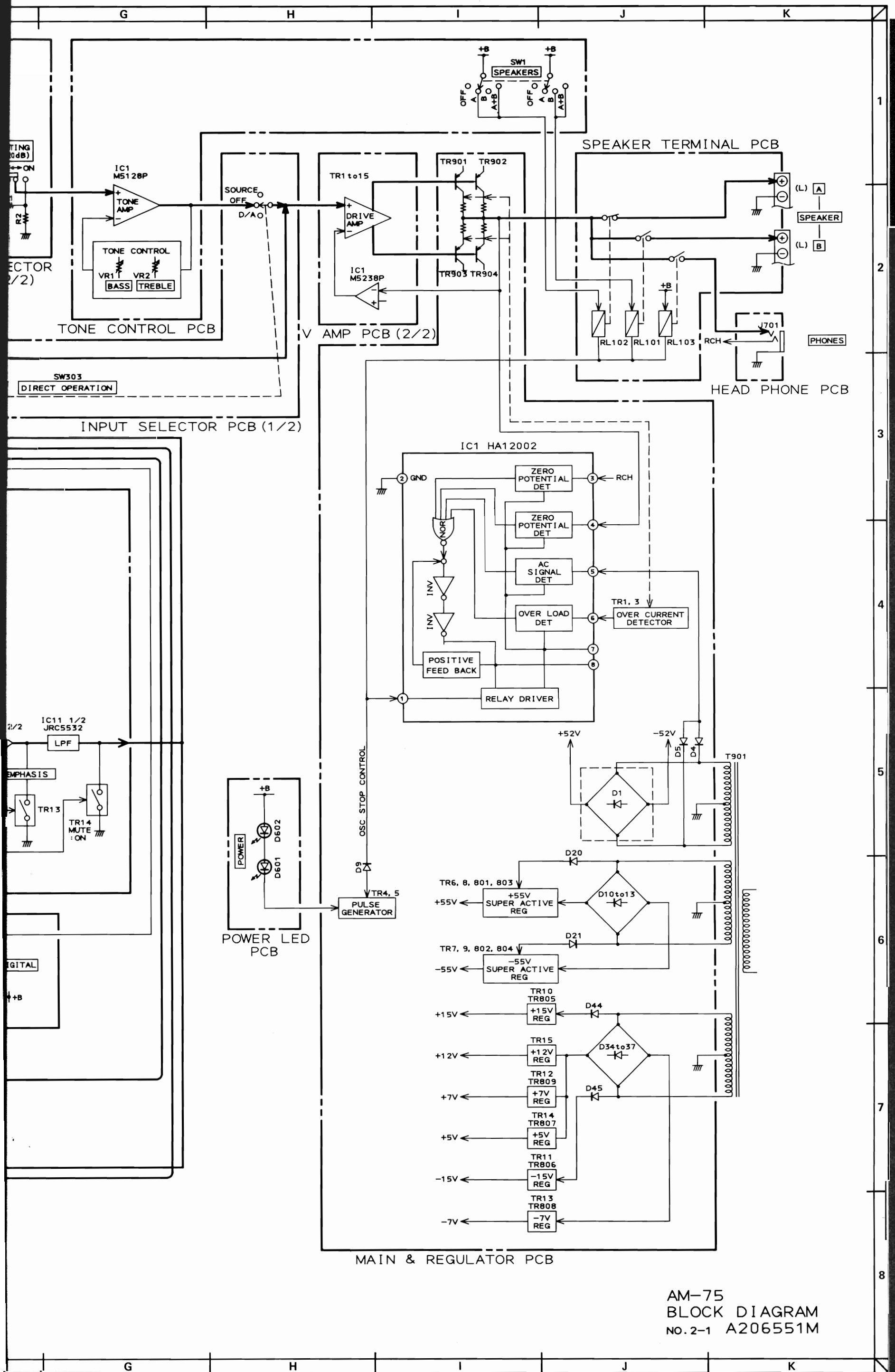
AKAI

MODEL **AM-75,95**

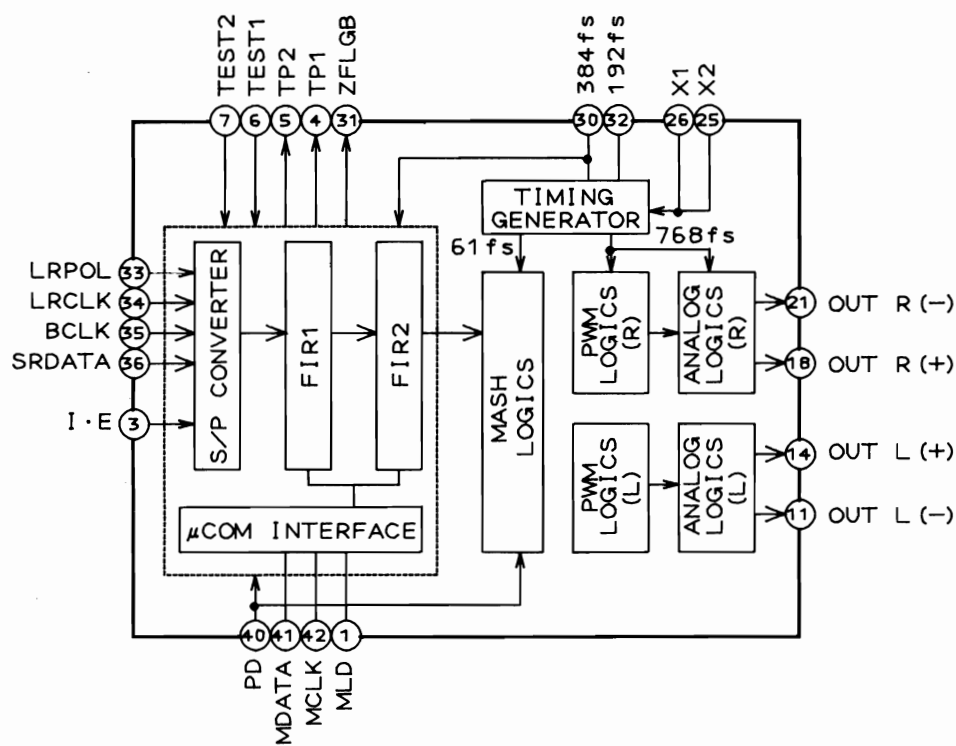
SCHEMATIC DIAGRAMS AND PC BOARDS

TABLE OF CONTENTS

1. ICs	3
2. AM-75 BLOCK DIAGRAM	4
3. AM-95 BLOCK DIAGRAM	5
4. AM-75 MAIN & OTHER CONNECTION DIAGRAM	6
5. MAIN AND OTHER PC BOARDS	7
6. V-AMP AND OTHER PC BOARDS	8
7. POWER AND OTHER PC BOARDS	9
8. MAIN PC BOARD	10
9. AM-95 MAIN & OTHER CONNECTION DIAGRAM	11
10. AM-75 EQUALIZER & INPUT SCHEMATIC DIAGRAM	12
11. INPUT AND OTHER PC BOARDS	13
12. AM-95 POWER AMP SCHEMATIC DIAGRAM	14
13. POWER AMP PC BOARD	15
14. EQUALIZER SCHEMATIC DIAGRAM	16
15. EQUALIZER PC BOARD	17
16. AM-95 REC SELECTOR, INPUT & TONE SCHEMATIC DIAGRAM	18
17. INPUT AND OTHER PC BOARDS	19
18. AM-75,95 DAC SCHEMATIC DIAGRAM	20
19. DAC PC BOARD	21



AM-75
 BLOCK DIAGRAM
 NO. 2-1 A206551M



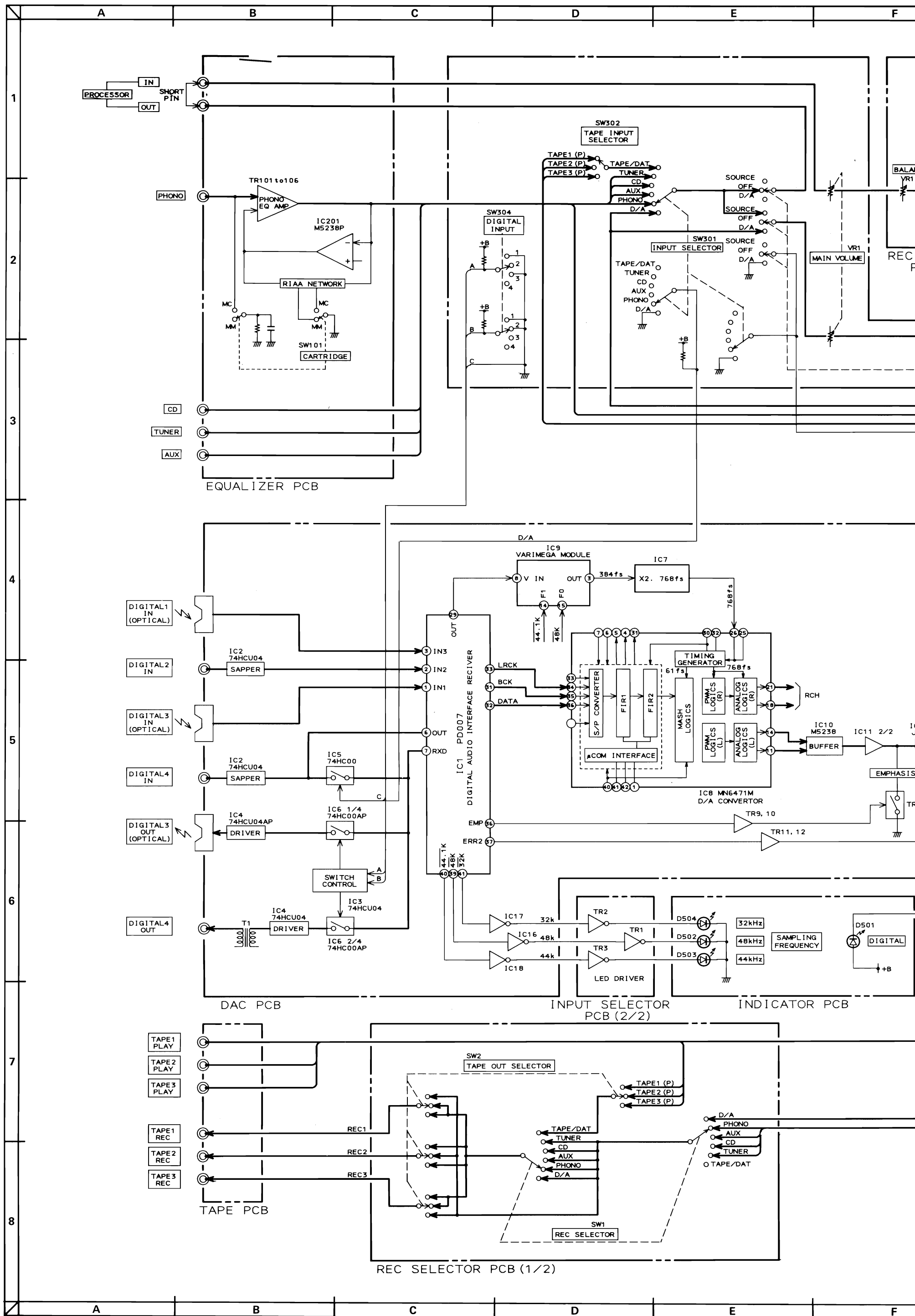
PIN NO.	SYMBOL	DESCRIPTION
1	MLD	μ-COM Command Load input.
2	RSTB	Reset (L : Active)
3	IE	L : Signal process LSI format. H : I ² S format
4	TP 1	Digital filter test output 1.
5	TP 2	Digital filter test output 2.
6	TEST 1	Digital filter test signal input 1 (L : Normal)
7	TEST 2	Digital filter test signal input 2 (L : Normal)
8	NC	
9	NC	
10	A. VDD 4	Power supply for analog 4 (+5 V)
11	OUT L (-)	L ch PWM output (-)
12	A. VSS 4	Ground for analog 4
13	A. VSS 3	Ground for analog 3
14	OUT L (+)	L ch PWM output (+)
15	A. VDD 3	Power supply for analog 3 (+5 V)
16	NC	
17	A.VDD 2	Power supply for analog 2 (+5 V)
18	OUT R (+)	R ch PWM output (+)
19	A. VSS 2	Ground for analog 2
20	A. VSS 1	Ground for analog 1
21	OUT R (-)	R ch PWM out put (-)
22	A. VDD 1	Power supply for analog 1 (+5 V)
23	D. VDD 1	Power supply for digital 1 (+5 V) (For O.S.C)
24	D. VSS 1	Ground for digital 1 (For O.S.C)
25	× 2	X'tal OSC
26	× 1	X'tal OSC (External clock input)
27	NC	
28	D. VDD2	Power supply for digital 2 (+ 5V)
29	D. VSS2	Ground for digital 2
30	RSUB	Connect to D-VDD
31	ZFLGB	Zero - input detector output
32	192FS	192FS (=8.4672 MHz) output
33	LRPOL	L, R clock switching (H : L ch, L : R ch)
34	LRCLK	L, R clock input
35	BCLK	Serial input bit clock
36	SRDATA	Serial input digital data input
37	D. VSS 3	Ground for digital 3
38	D. VDD	Powersupply for digital (+5V)
39	384FS	384FS (=16.9344 MHz) output
40	PD	Power down (H : Active)
41	M DATA	μ - COM command data input
42	MCLK	μ - COM command clock input

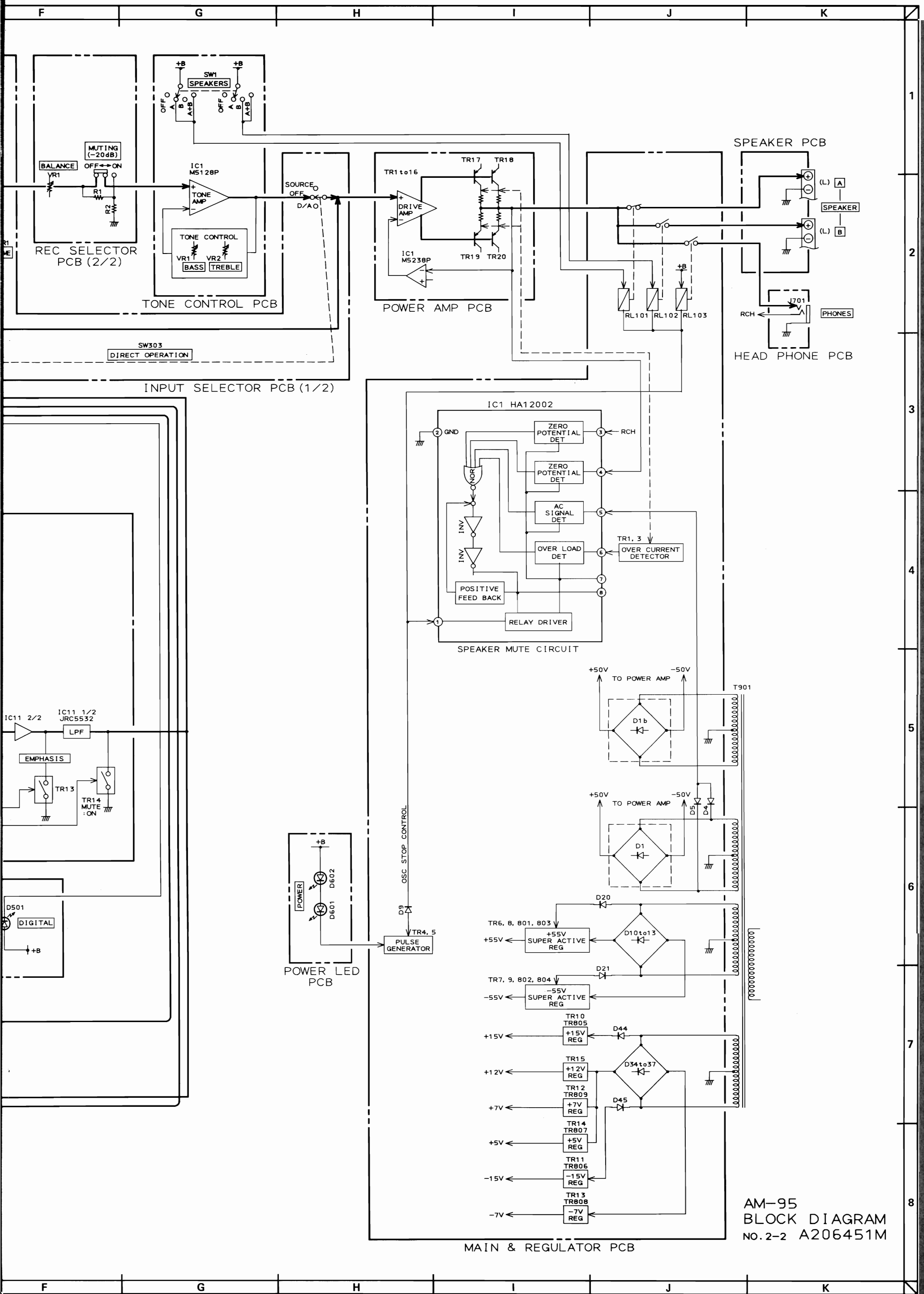
PIN NO	SYMBOL	I/O	
1	IN1	I	Data Input
2	IN2	I	Data Input
3	IN3	I	Data Input
4	S1	I	Input Select
5	S2	I	Input Select
6	OUT	O	MPX Data out
7	RXD	I	Data Input
8	TEST	I	TEST MODE Inp
9	CNTR	I	Counter Clock In
10	2 INH	I	VCO "2" ON/OFF
11	VSS	-	-B (OV)
12	RESET	I	Power "ON" Rese
13	PCVS	I	VCO "1" "2" Inp
14	PCI OUT	O	Phsase comparat
15	R1	-	External resisto
16	VCO1 IN	I	Control Voltage I
17	VDD1	-	+B(5V)
18	VCO1 out	O	NC
19	VSS1	-	GND for vco Ciro
20	C1A	-	External Capacit

Interface Receiver)

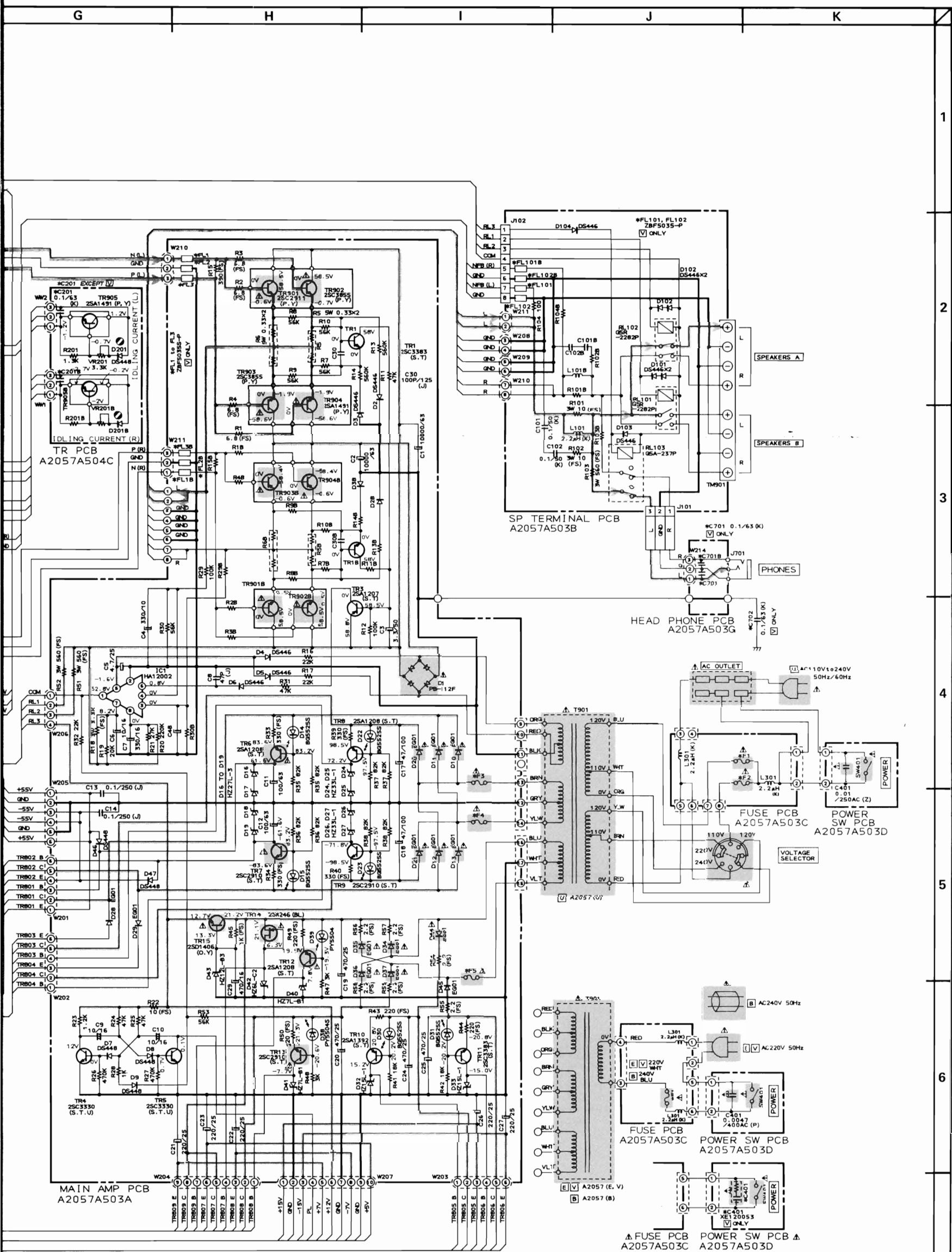
FUNCTION
Data Input
Data Input
Data Input
Input Select
Input Select
MPX Data out
Data Input
TEST MODE Input
Counter Clock Input
VCO "2" ON/OFF Control. H=OFF
-B (OV)
Power "ON" Reset Input
VCO "1" "2" Input
Phase comparator "1" output
External resistor Connection Terminal for VCO (1)
Control Voltage Input
+B(5V)
NC
GND for vco Circuit
External Capaciter Connection Terminal for VCO (1)

21	C1B	-	External Capaciter Connection Terminal for VCO (1)
22	C2B	-	External Capaciter Connection Terminal for VCO (2)
23	C2A	-	External Capaciter Connection Terminal for VCO (2)
24	VSS2	-	-B (OV)
25	VCO2 OUT	O	VCO Output (384fs)
26	VDD	-	+B (+5V)
27	VCO 2 IN	I	Control voltage Input
28	R2	-	External Resistor Connection Terminal for VCO (2)
29	PC 2 OUT	O	Phase comparator "2" Output
30	SIG 2	I	Phase comparator "2" Input
31	BCK	O	BCK Output
32	DATA	O	Audio Data Output
33	LRCK	O	Data Output (H=Lch, L=Rch)
34	WCK	O	Data word clock Output
35	COPY	O	Copy data Output
36	EMPH	O	H: EMPHASIS "ON"
37	ERR 2	O	H: UNLOCK "ON"
38	ERR 1	O	H=Err
39	48K	O	Sampling frequency data Output. L=active
40	44.1K	O	
41	32K	O	
42	VDD	-	+B (+5V)





AM-95
BLOCK DIAGRAM
NO. 2-2 A206451M

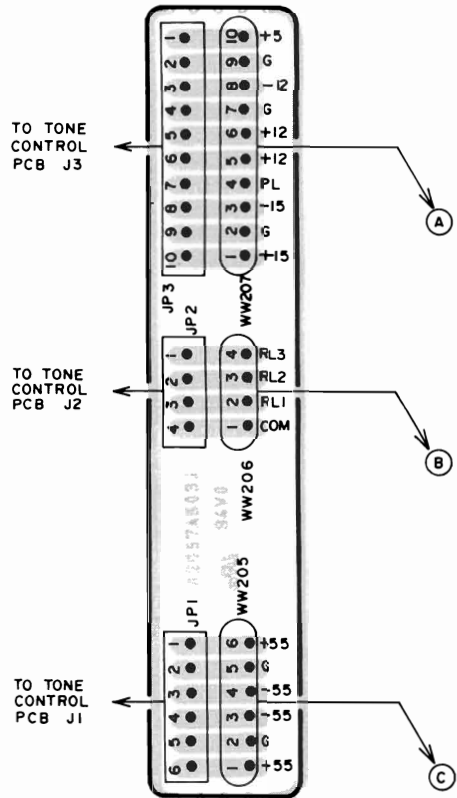


	F1	F2	F3, F4	F5
[E, V, B]	T4A 250V		T1A 250V	T1A 250V
[U]	4A 250V	4A 250V	500mA 250V	800mA 250V

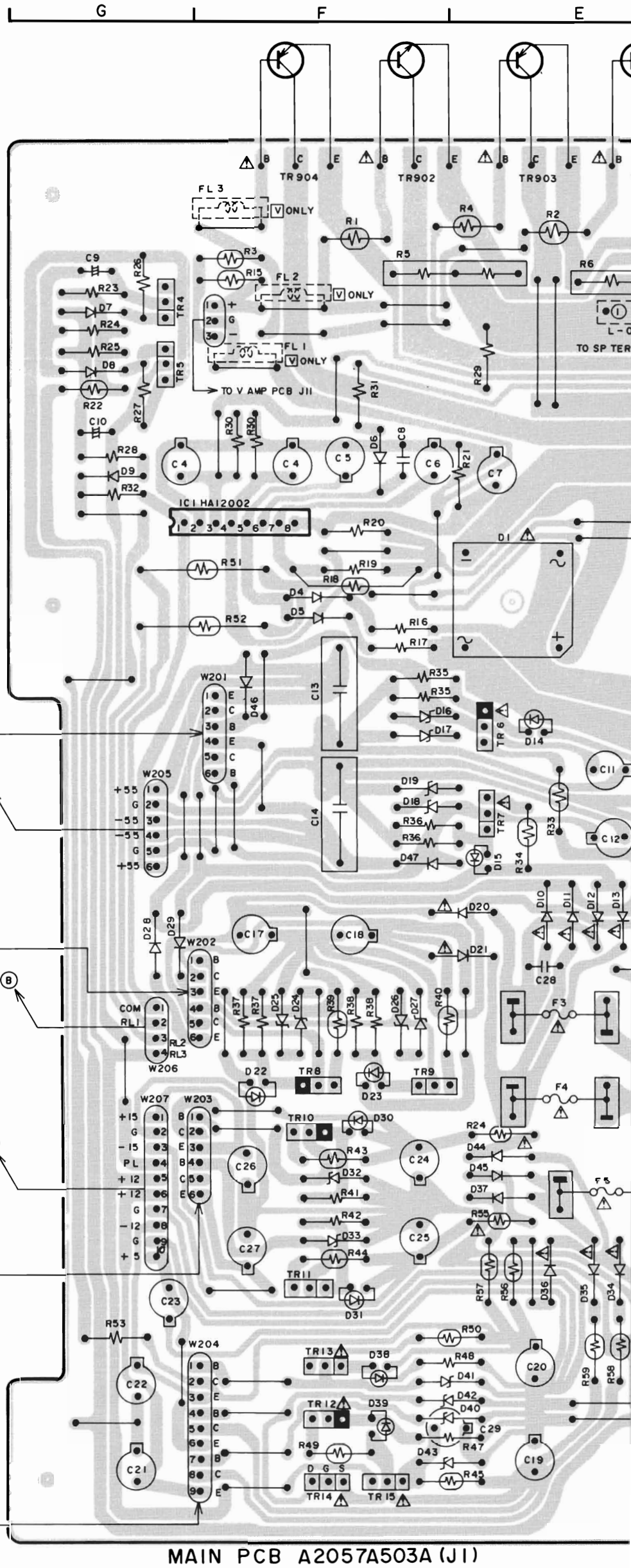
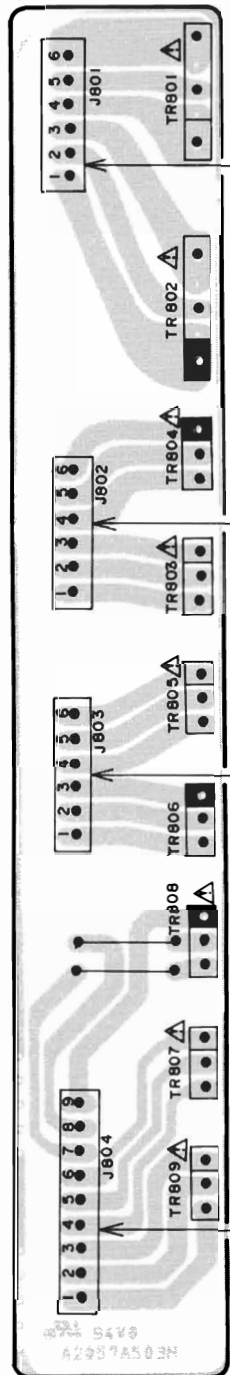
AM-75
CONNECTION DIAGRAM
NO. 7-1 A206501M

1
2
3
4
5
6
7
8

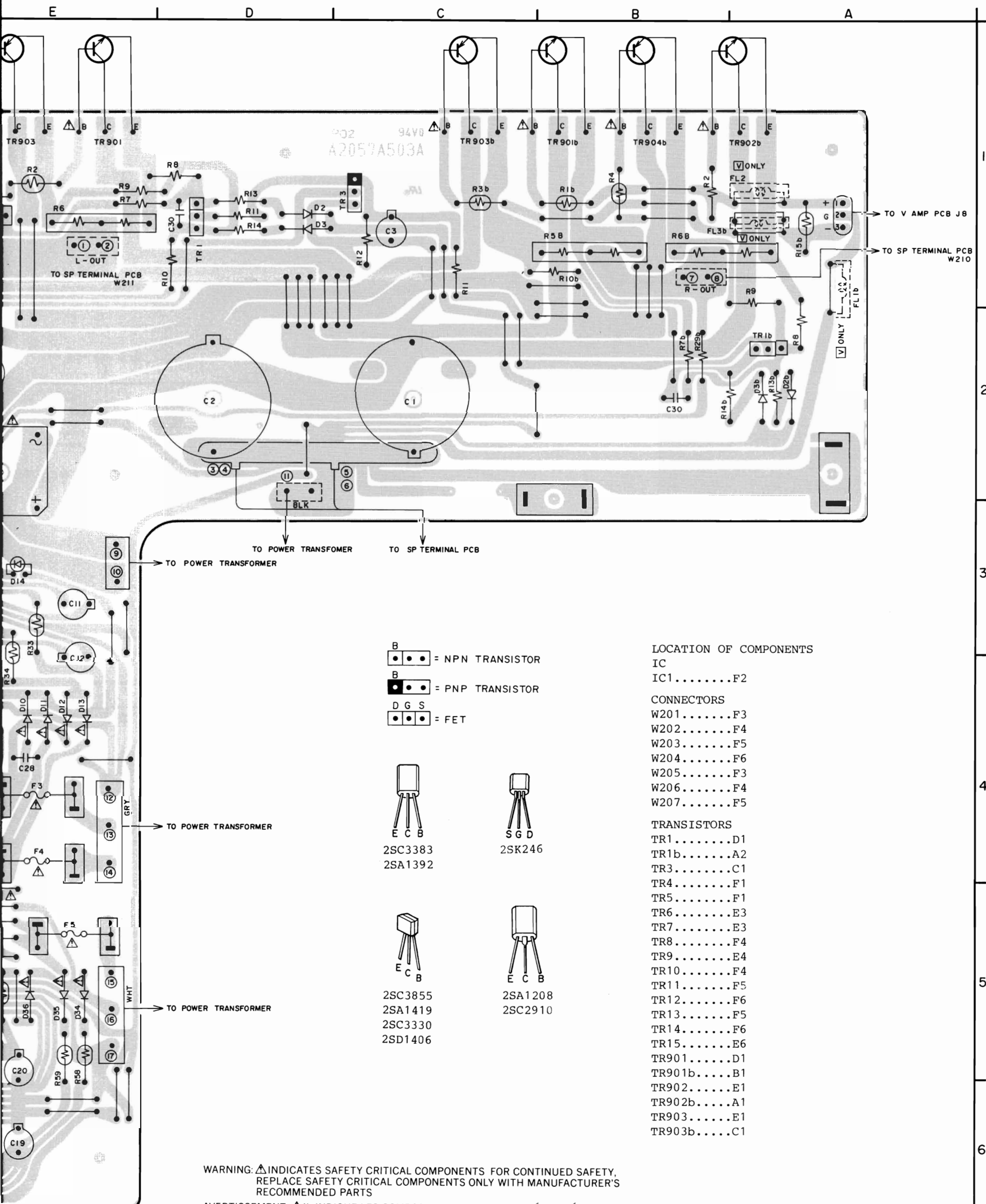
**CONNECTOR PCB (10)
A2057A503J**



**REGULATOR PCB
A2057A503H**



MAIN PCB A2057A503A (J1)



= NPN TRANSISTOR
 = PNP TRANSISTOR
 = FET

E C B
 2SC3383
 2SA1392

E C B
 2SC3855
 2SA1419
 2SC3330
 2SD1406

S G D
 2SK246

E C B
 2SA1208
 2SC2910

LOCATION OF COMPONENTS

IC
IC1.....F2

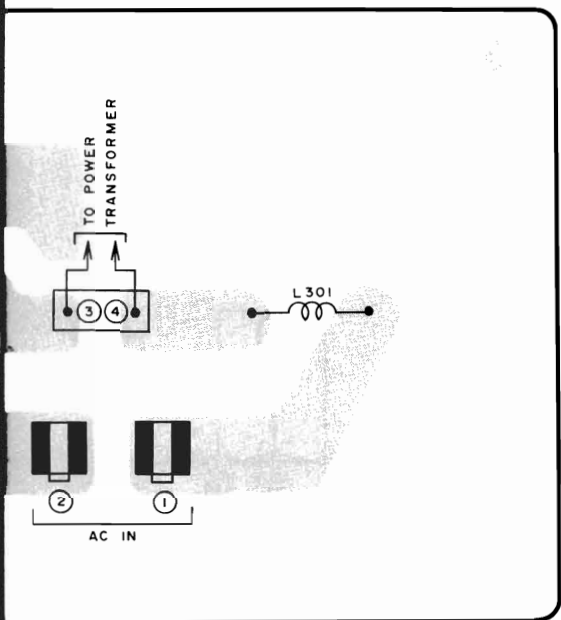
CONNECTORS

W201.....F3
 W202.....F4
 W203.....F5
 W204.....F6
 W205.....F3
 W206.....F4
 W207.....F5

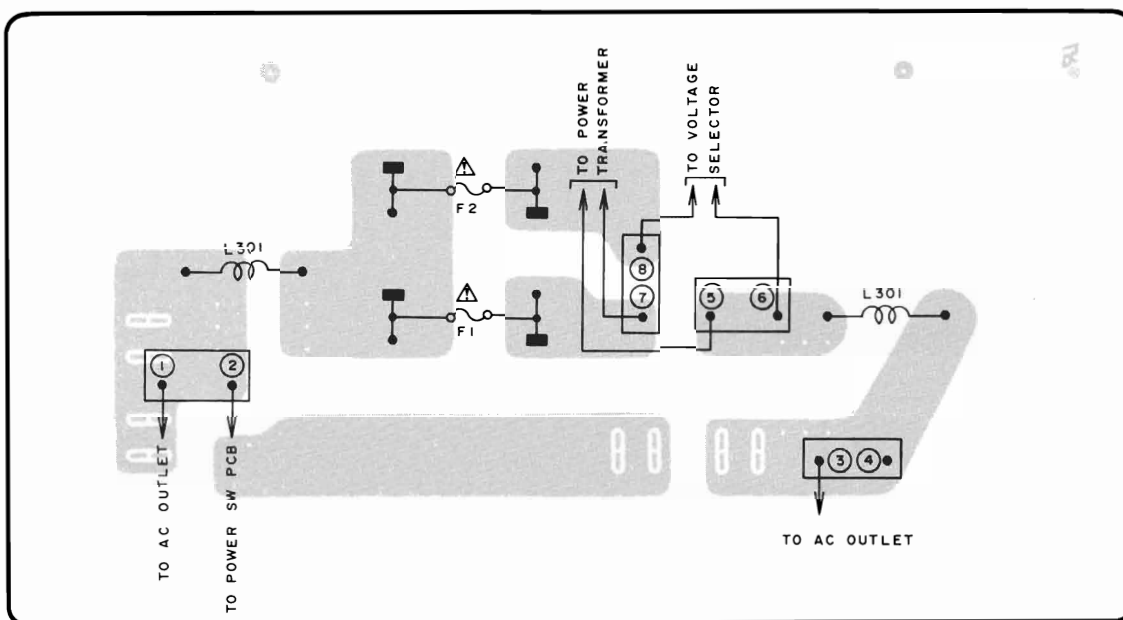
TRANSISTORS

TR1.....D1
 TR1b.....A2
 TR3.....C1
 TR4.....F1
 TR5.....F1
 TR6.....E3
 TR7.....E3
 TR8.....F4
 TR9.....E4
 TR10.....F4
 TR11.....F5
 TR12.....F6
 TR13.....F5
 TR14.....F6
 TR15.....E6
 TR901.....D1
 TR901b.....B1
 TR902.....E1
 TR902b.....A1
 TR903.....E1
 TR903b.....C1

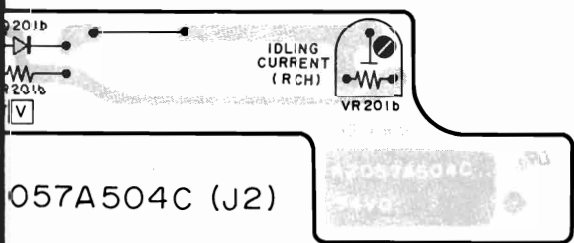
WARNING: INDICATES SAFETY CRITICAL COMPONENTS FOR CONTINUED SAFETY. REPLACE SAFETY CRITICAL COMPONENTS ONLY WITH MANUFACTURER'S RECOMMENDED PARTS
 AVERTISSEMENT: IL INDIQUE LES COMPOSANTS CRITIQUES DE SÉCURITÉ. POUR MAINTENIR LE DEGRÉ DE SÉCURITÉ DE L'APPAREIL, NE REMPLACER QUE DES PIÈCES RECOMMANDÉES PAR LE FABRICANT



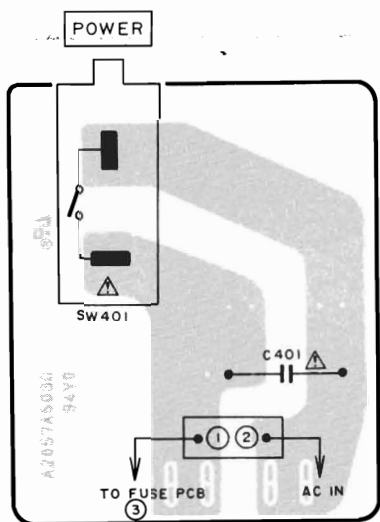
C (J1) [E][V][B] MODEL



FUSE PCB A2057A503C (J1) [U] MODEL



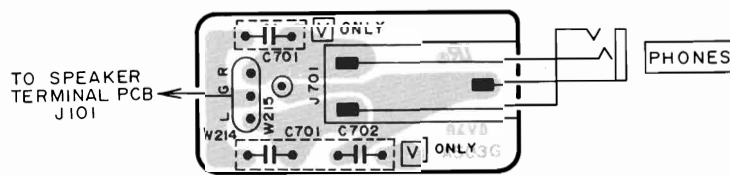
A2057A504C (J2)



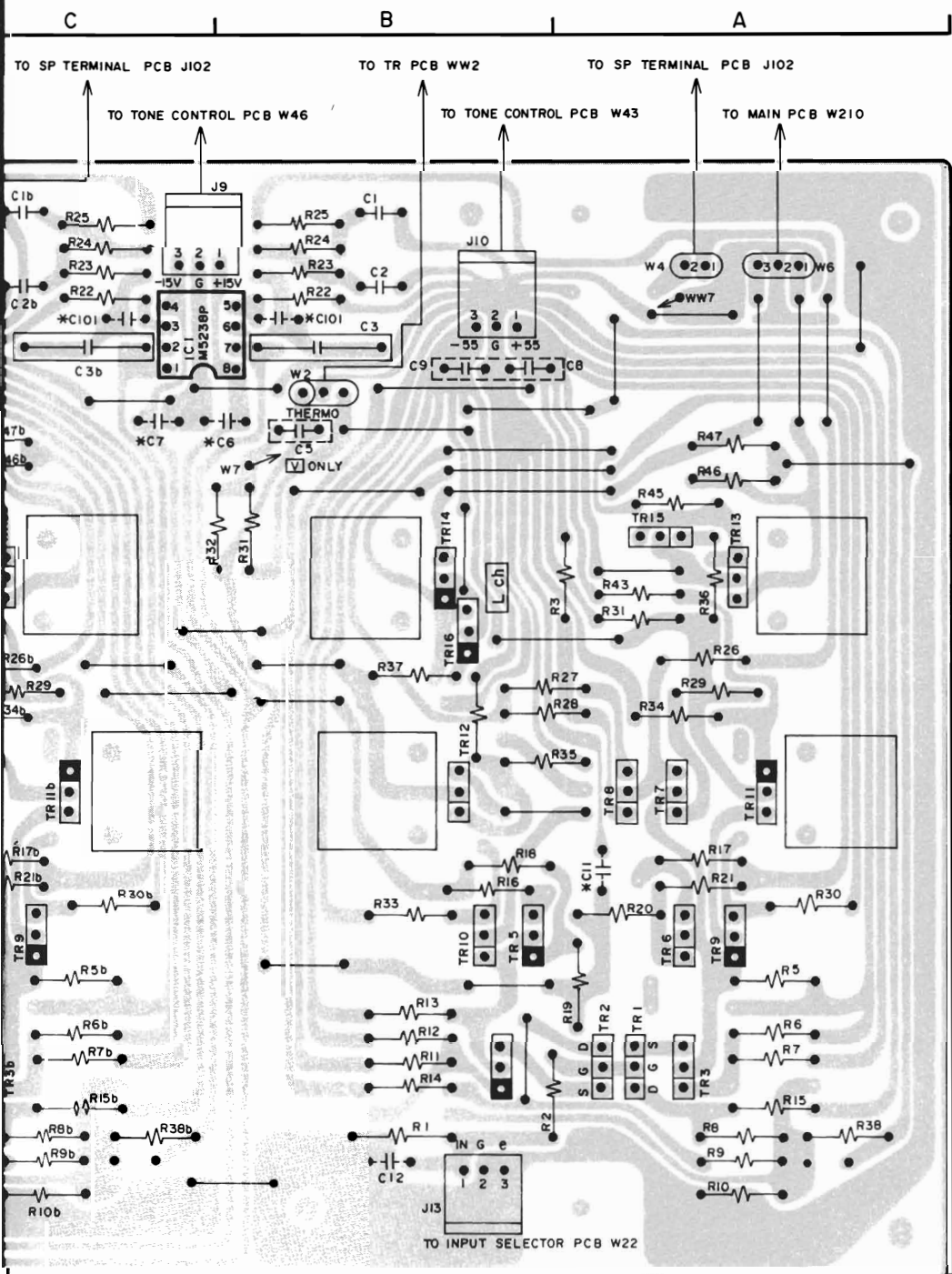
POWER SW PCB
A2057A503D (J1)

WARNING: Δ INDICATES SAFETY CRITICAL COMPONENTS FOR CONTINUED SAFETY. REPLACE SAFETY CRITICAL COMPONENTS ONLY WITH MANUFACTURER'S RECOMMENDED PARTS

AVERTISSEMENT: Δ IL INDIQUE LES COMPOSANTS CRITIQUES DE SÉCURITÉ. POUR MAINTENIR LE DEGRÉ DE SÉCURITÉ DE L'APPAREIL, NE REMPLACER QUE DES PIÈCES RECOMMANDÉES PAR LE FABRICANT



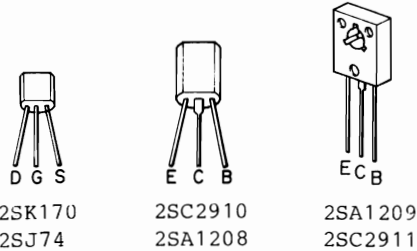
HEAD PHONE PCB
A2057A503G (J1)



B A2057A504A (J2)

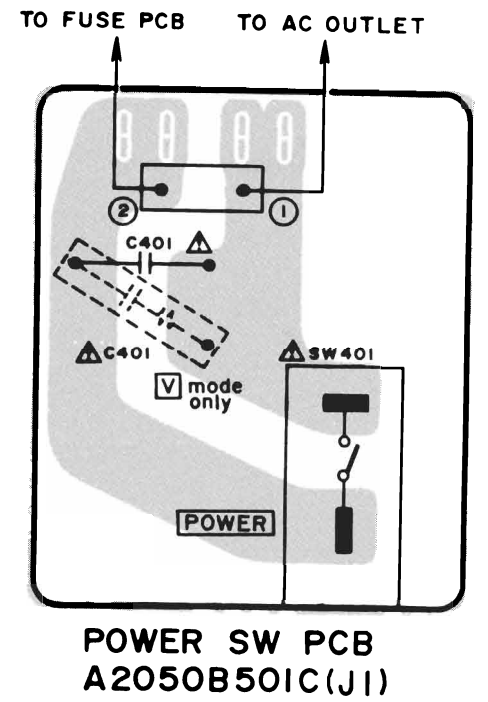
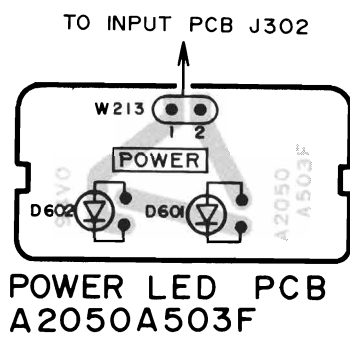
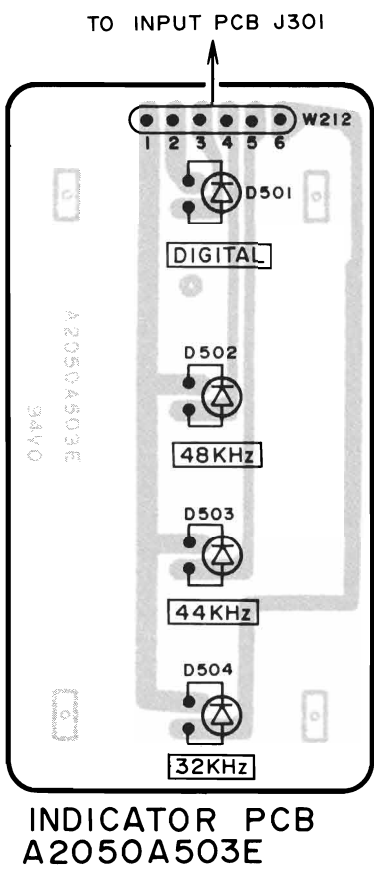
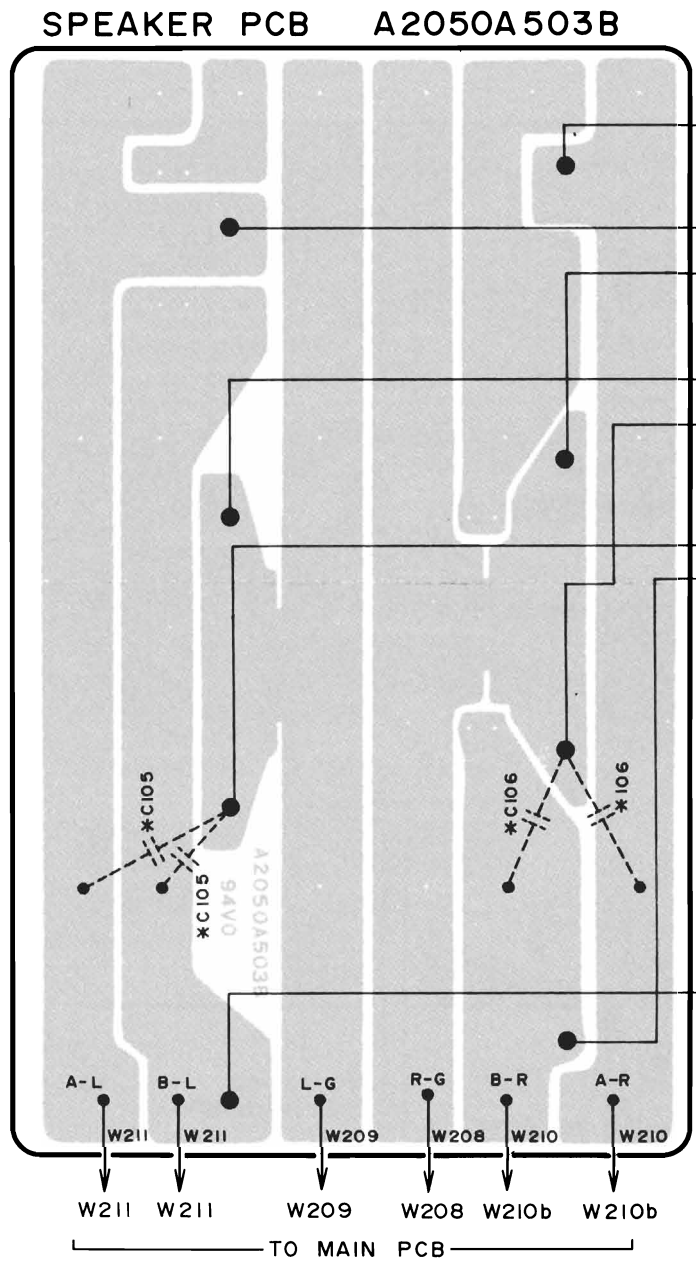
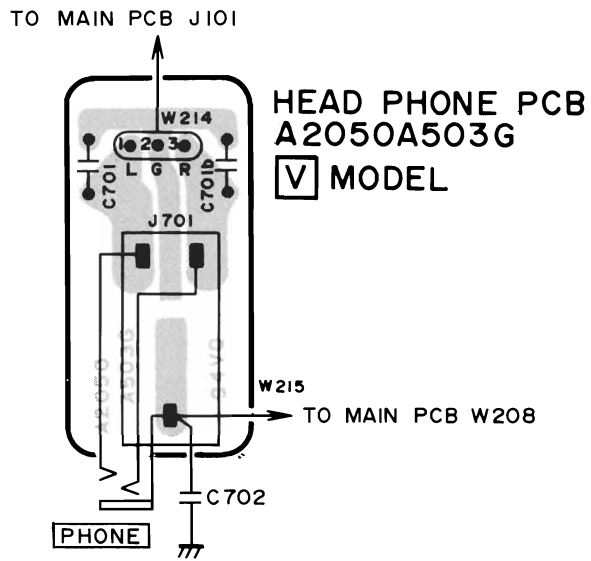
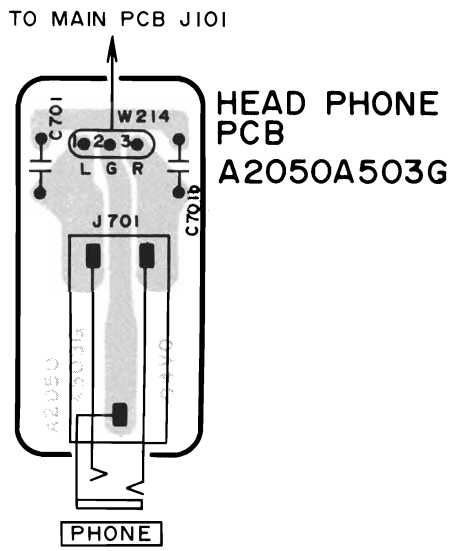
LOCATION OF COMPONENTS

IC	IC1.....C1	TR4.....B3
		TR4b.....D3
CONENCTORS	J1.....F3	TR5.....B3
	J2.....F1	TR5b.....D3
	J3.....F1	TR6.....A3
	J4.....E1	TR6b.....C3
	J5.....E1	TR7.....A3
	J6.....D1	TR7b.....C3
	J7.....D1	TR8.....A3
	J9.....C1	TR8b.....C3
	J12.....D4	TR9.....A3
	J13.....B4	TR9b.....C3
WIRES	TR10.....B3	TR10b.....D3
W1.....D1	TR11.....A3	
W2.....B1	TR11b.....C3	
W3.....C1	TR12.....B3	
W4.....A1	TR12b.....D3	
W5.....D1	TR13.....A2	
W6.....A1	TR13b.....C2	
TRANSISTORS	TR14.....B2	
TR1.....A3	TR14b.....D2	
TR1b.....C3	TR15.....A2	
TR2.....A3	TR15b.....C2	
TR2b.....C3	TR16.....B2	
TR3.....A3	TR16b.....D2	
TR3b.....C3		

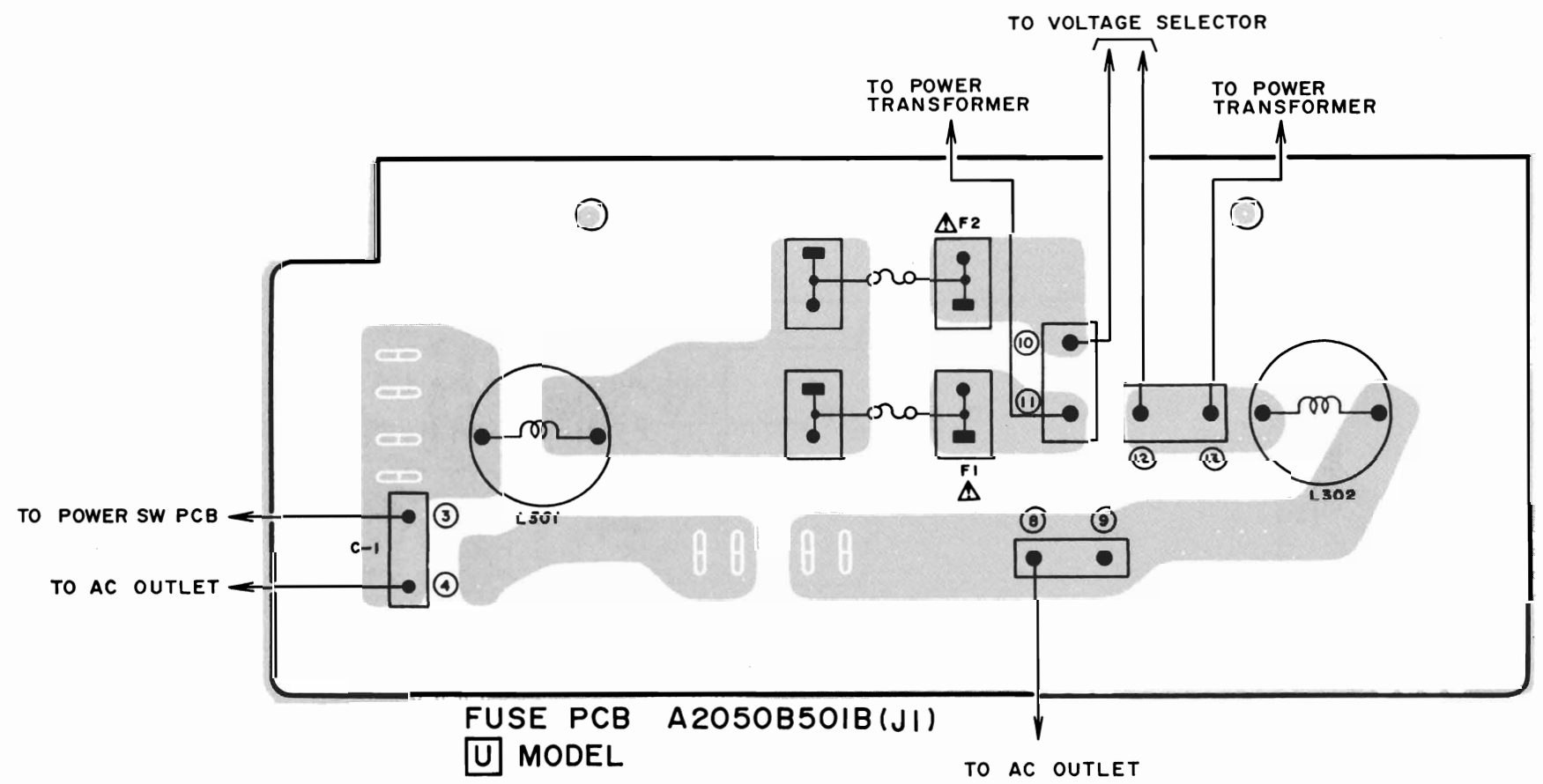
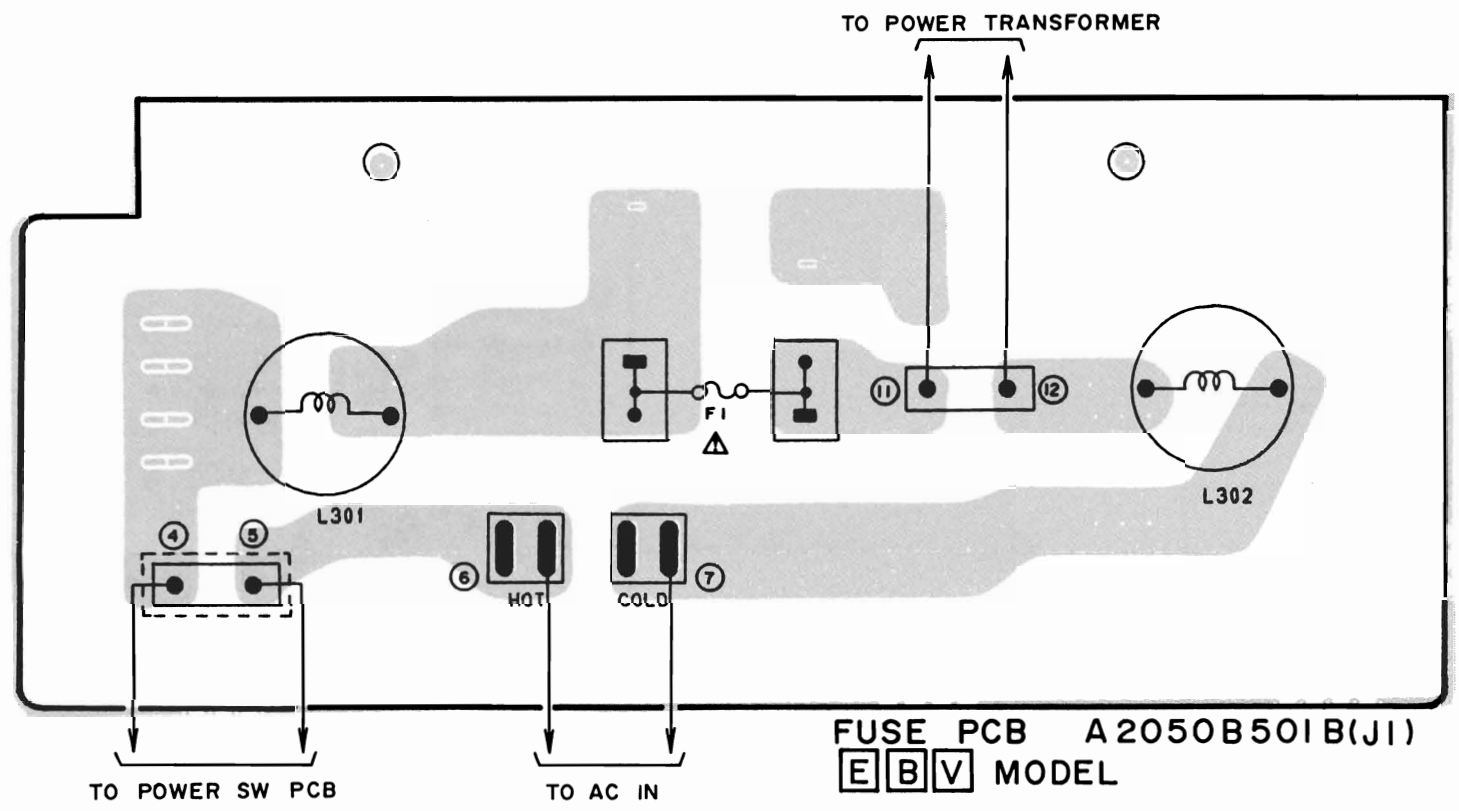
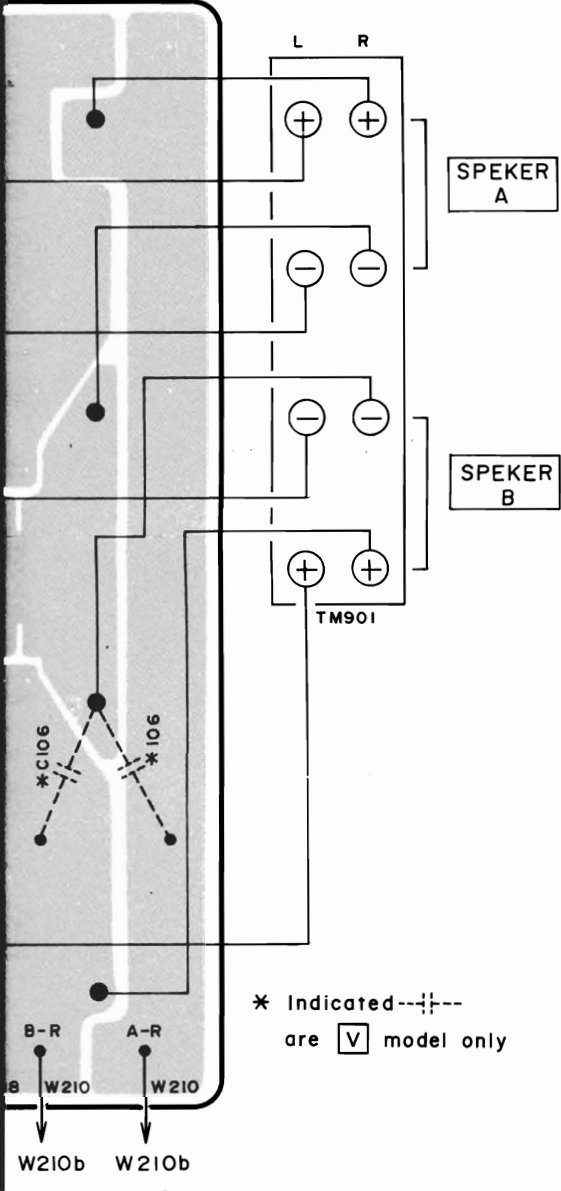


[B] [•] [•] [•] = NPN TRANSISTOR
 [B] [•] [•] [•] = PNP TRANSISTOR
 [S] [G] [D] [•] [•] [•] = FET

* Indicated Δ are [V] model only

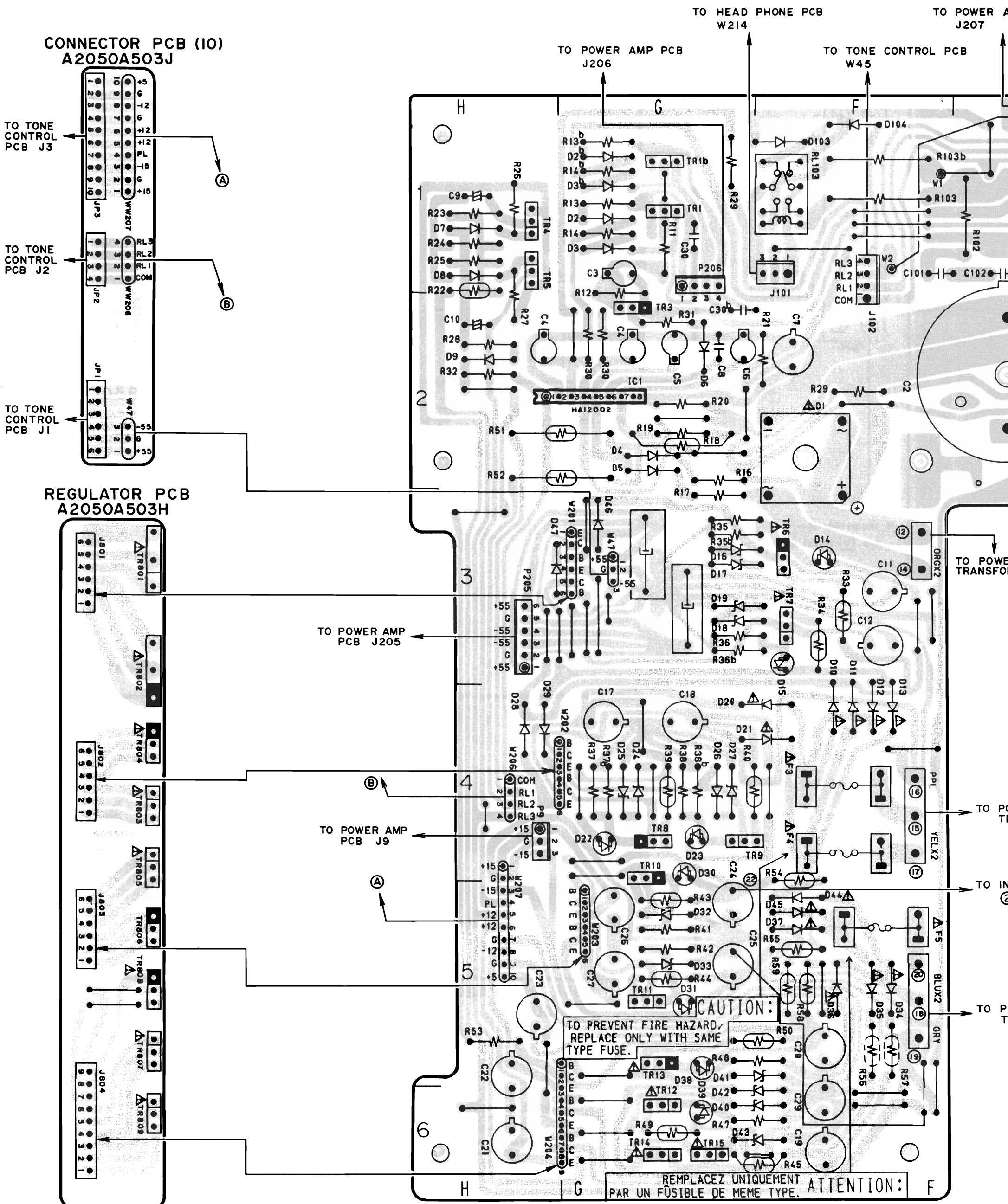


0A503B

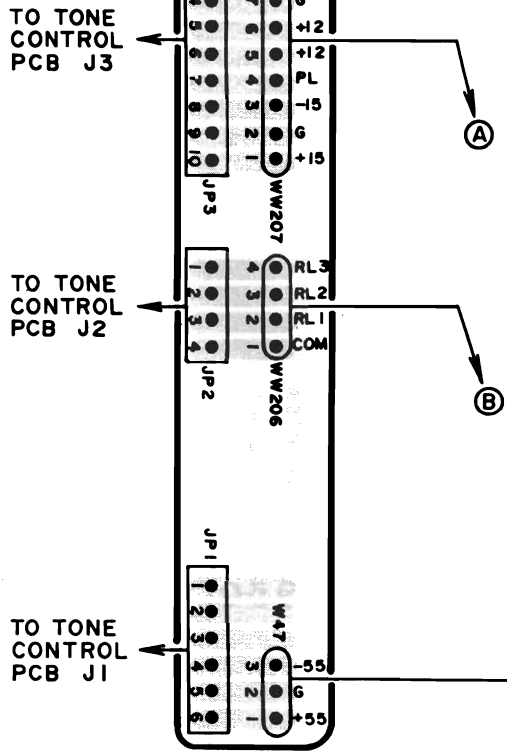


WARNING: **Δ** INDICATES SAFETY CRITICAL COMPONENTS. FOR CONTINUED SAFETY, REPLACE SAFETY CRITICAL COMPONENTS ONLY WITH MANUFACTURER'S RECOMMENDED PARTS.

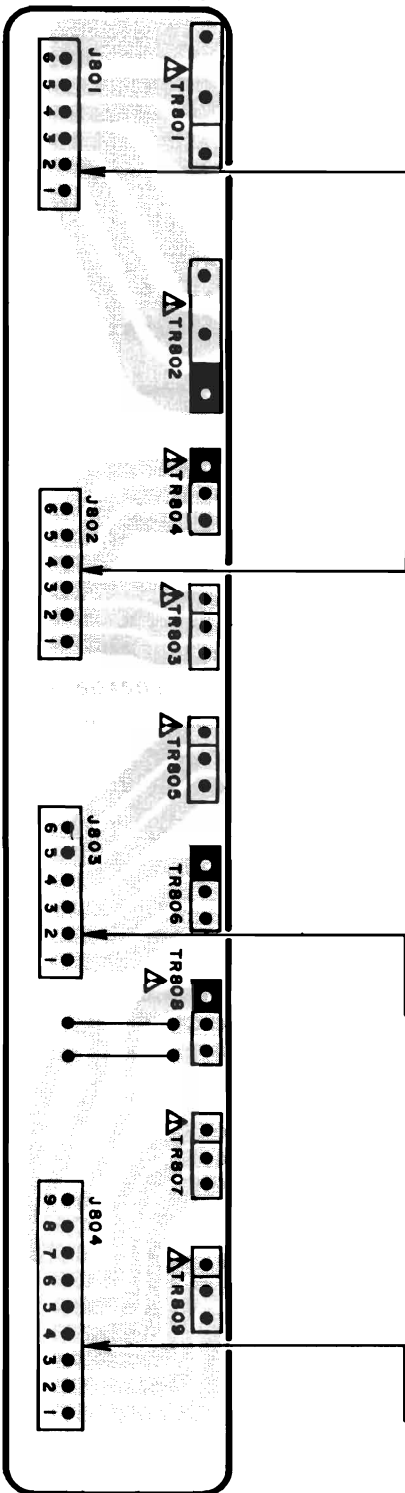
AVERTISSEMENT: **Δ** IL INDIQUE LES COMPOSANTS CRITIQUES DE SÉCURITÉ. POUR MAINTENIR LE DEGRÉ DE SÉCURITÉ DE L'APPAREIL, NE REMPLACER QUE DES PIÈCES RECOMMANDÉES PAR LE FABRICANT.



CONNECTOR PCB (IO)
A2050A503J



REGULATOR PCB
A2050A503H



TO POWER AMP PCB J205

TO POWER AMP PCB J9

TO POWER AMP PCB J206

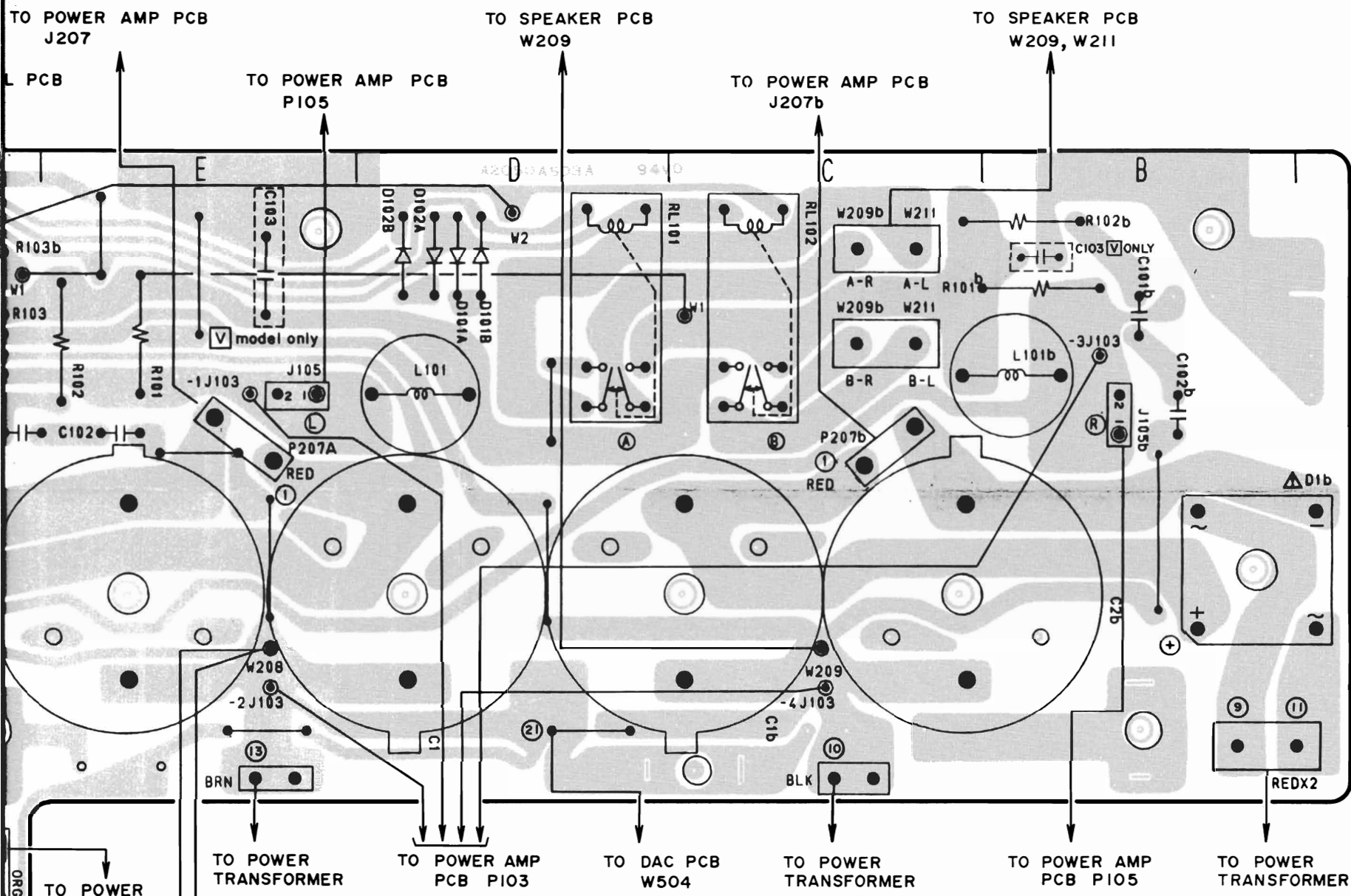
TO HEAD PHONE PCB W214

TO TONE CONTROL PCB W45

TO POWER AMP PCB J207

CAUTION:
TO PREVENT FIRE HAZARD,
REPLACE ONLY WITH SAME
TYPE FUSE.

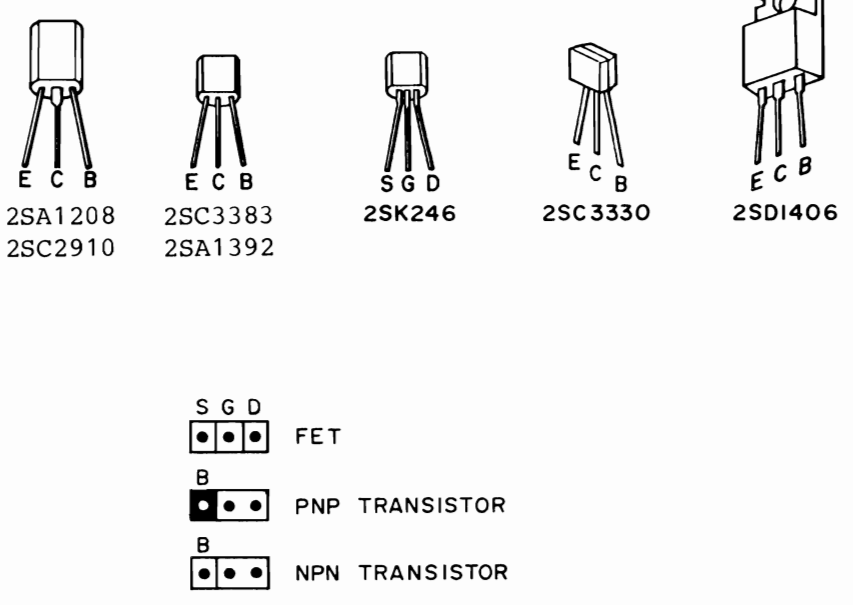
REPLACER UNIQUEMENT
PAR UN FUSIBLE DE MEME TYPE. ATTENTION:



MAIN PCB A2050A503A

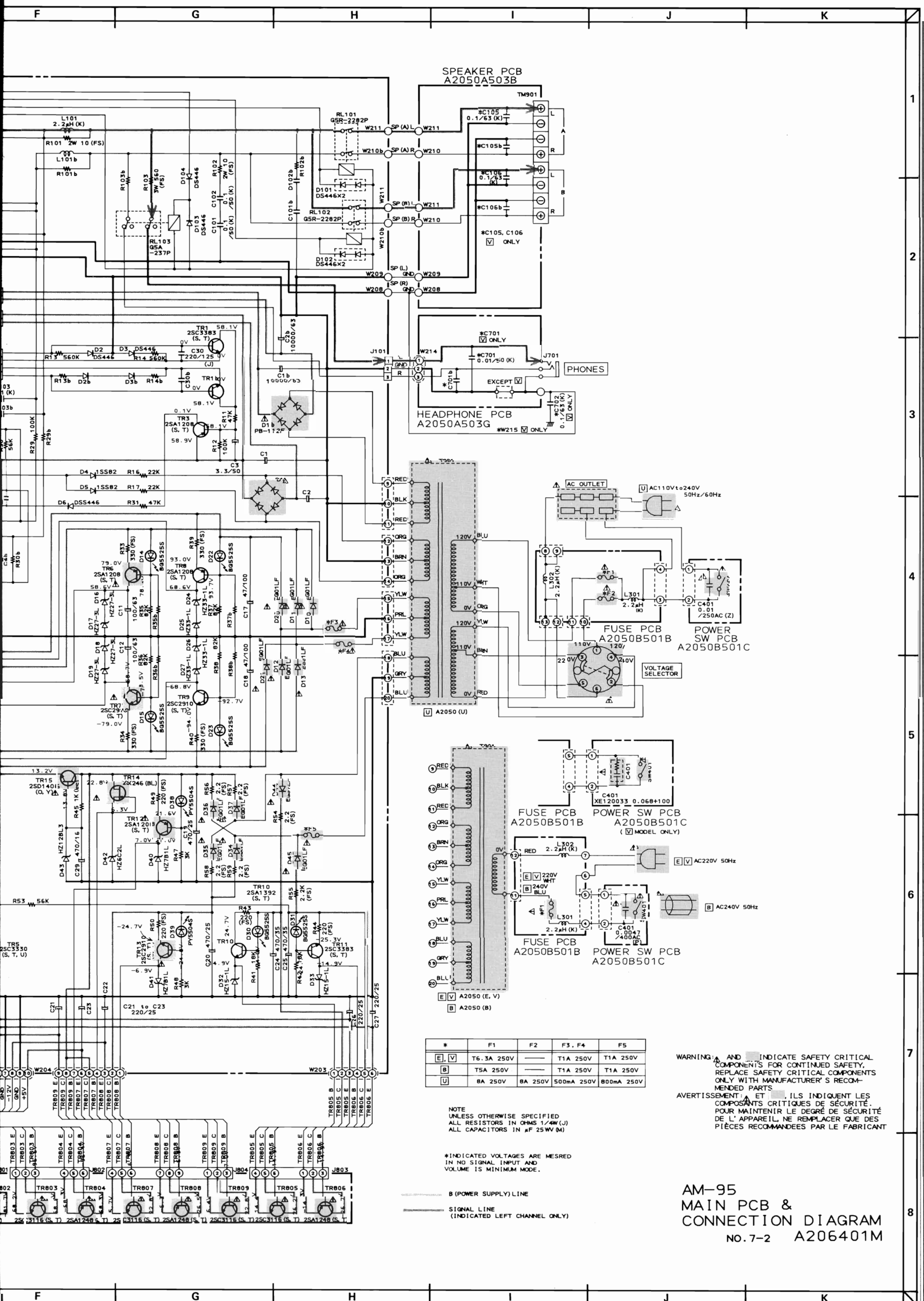
LOCATION OF COMPONENTS

IC	TRANSISTOR
IC 1G2	TR 1G1
	TR 1bG1
CONNECTOR	TR 3G2
J101F1	TR 4H1
J102F1	TR 5H1
J105E1	TR 6F3
J105bB1	TR 7F3
	TR 8G4
P9H4	TR 9G4
P205H3	TR10G4
P206G1	TR11G5
P207AE1	TR12G6
P207C1	TR13G5
	TR14G6
	TR15G6



WARNING: Δ INDICATES SAFETY CRITICAL COMPONENTS FOR CONTINUED SAFETY, REPLACE SAFETY CRITICAL COMPONENTS ONLY WITH MANUFACTURER'S RECOMMENDED PARTS

AVERTISSEMENT: Δ IL INDIQUE LES COMPOSANTS CRITIQUES DE SÉCURITÉ. POUR MAINTENIR LE DEGRÉ DE SÉCURITÉ DE L'APPAREIL, NE REMPLACER QUE DES PIÈCES RECOMMANDÉES PAR LE FABRICANT



SPEAKER PCB
A2050A503B

HEADPHONE PCB
A2050A503G

FUSE PCB
A2050B501B

POWER SW PCB
A2050B501C

FUSE PCB
A2050B501B

POWER SW PCB
A2050B501C
(MODEL ONLY)

FUSE PCB
A2050B501B

POWER SW PCB
A2050B501C

*	F1	F2	F3, F4	F5
[E], [V]	T6.3A 250V	—	T1A 250V	T1A 250V
[B]	T5A 250V	—	T1A 250V	T1A 250V
[U]	8A 250V	8A 250V	500mA 250V	800mA 250V

NOTE
UNLESS OTHERWISE SPECIFIED
ALL RESISTORS IN OHMS 1/4W(J)
ALL CAPACITORS IN μF 25V(W)

*INDICATED VOLTAGES ARE MEASRD
IN NO SIGNAL INPUT AND
VOLUME IS MINIMUM MODE.

— B (POWER SUPPLY) LINE
— SIGNAL LINE
(INDICATED LEFT CHANNEL ONLY)

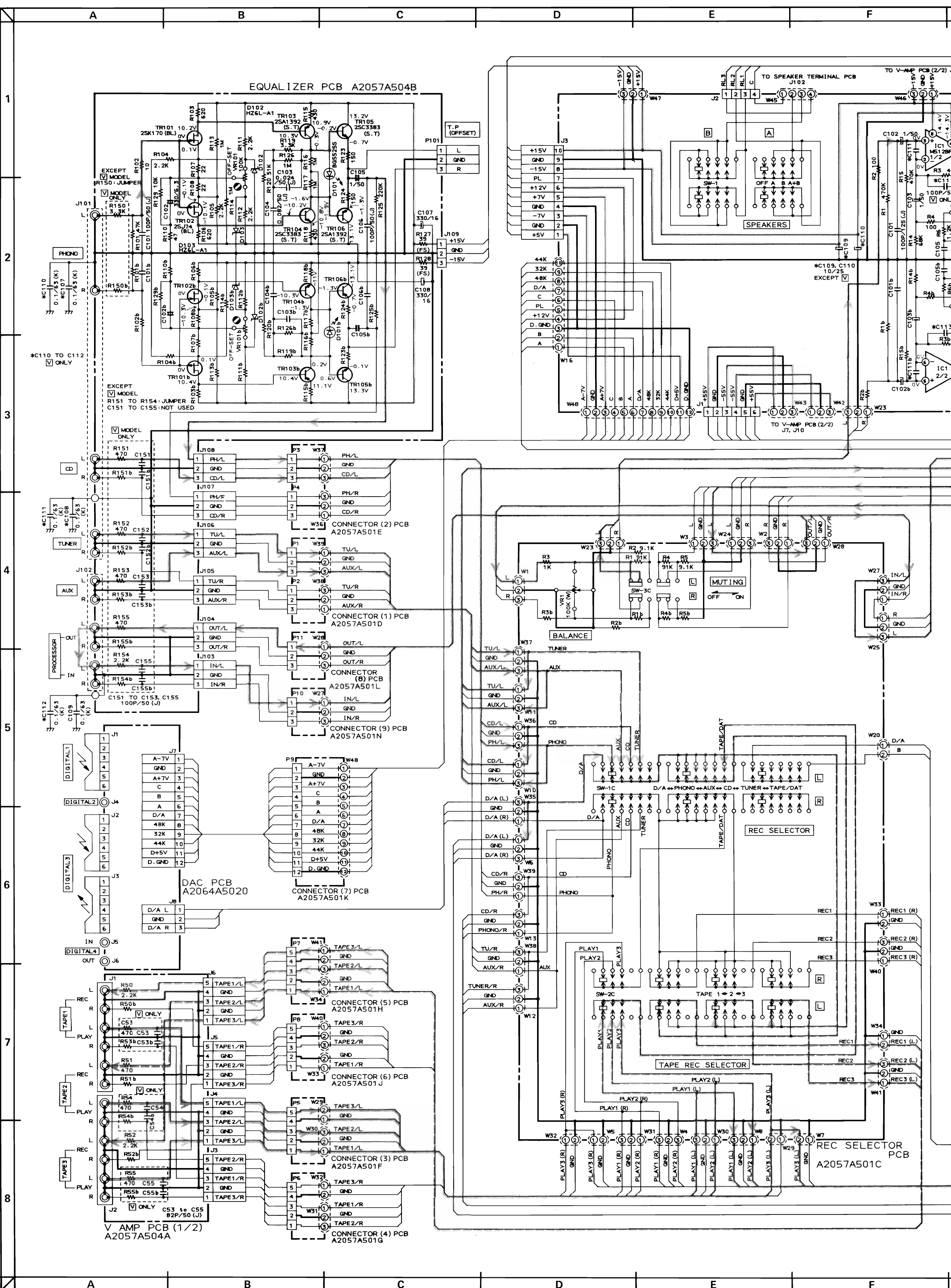
WARNING: AND INDICATE SAFETY CRITICAL COMPONENTS FOR CONTINUED SAFETY. REPLACE SAFETY CRITICAL COMPONENTS ONLY WITH MANUFACTURER'S RECOMMENDED PARTS.

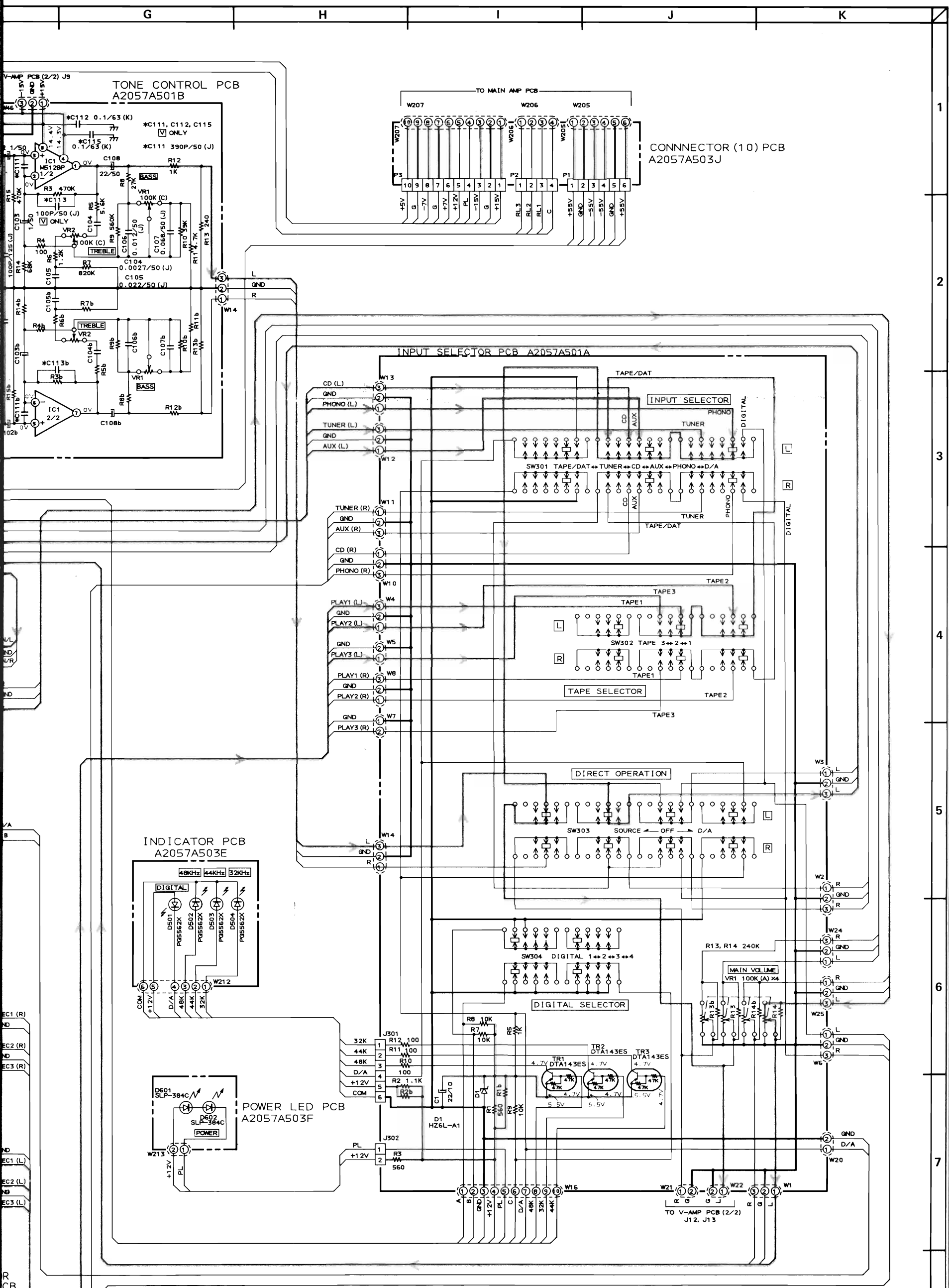
AVERTISSEMENT: ET ILS INDIQUENT LES COMPOSANTS CRITIQUES DE SÉCURITÉ. POUR MAINTENIR LE DEGRÉ DE SÉCURITÉ DE L'APPAREIL, NE REMPLACER QUE DES PIÈCES RECOMMANDÉES PAR LE FABRICANT

AM-95
MAIN PCB &
CONNECTION DIAGRAM
No. 7-2 A206401M

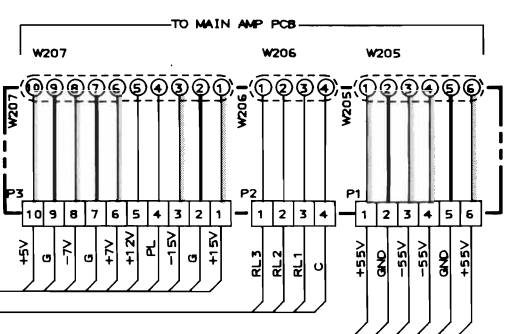
1
2
3
4
5
6
7
8

EQUALIZER PCB A2057A504B





TONE CONTROL PCB
A2057A501B



CONNECTOR (10) PCB
A2057A503J

INPUT SELECTOR PCB A2057A501A

INDICATOR PCB
A2057A503E

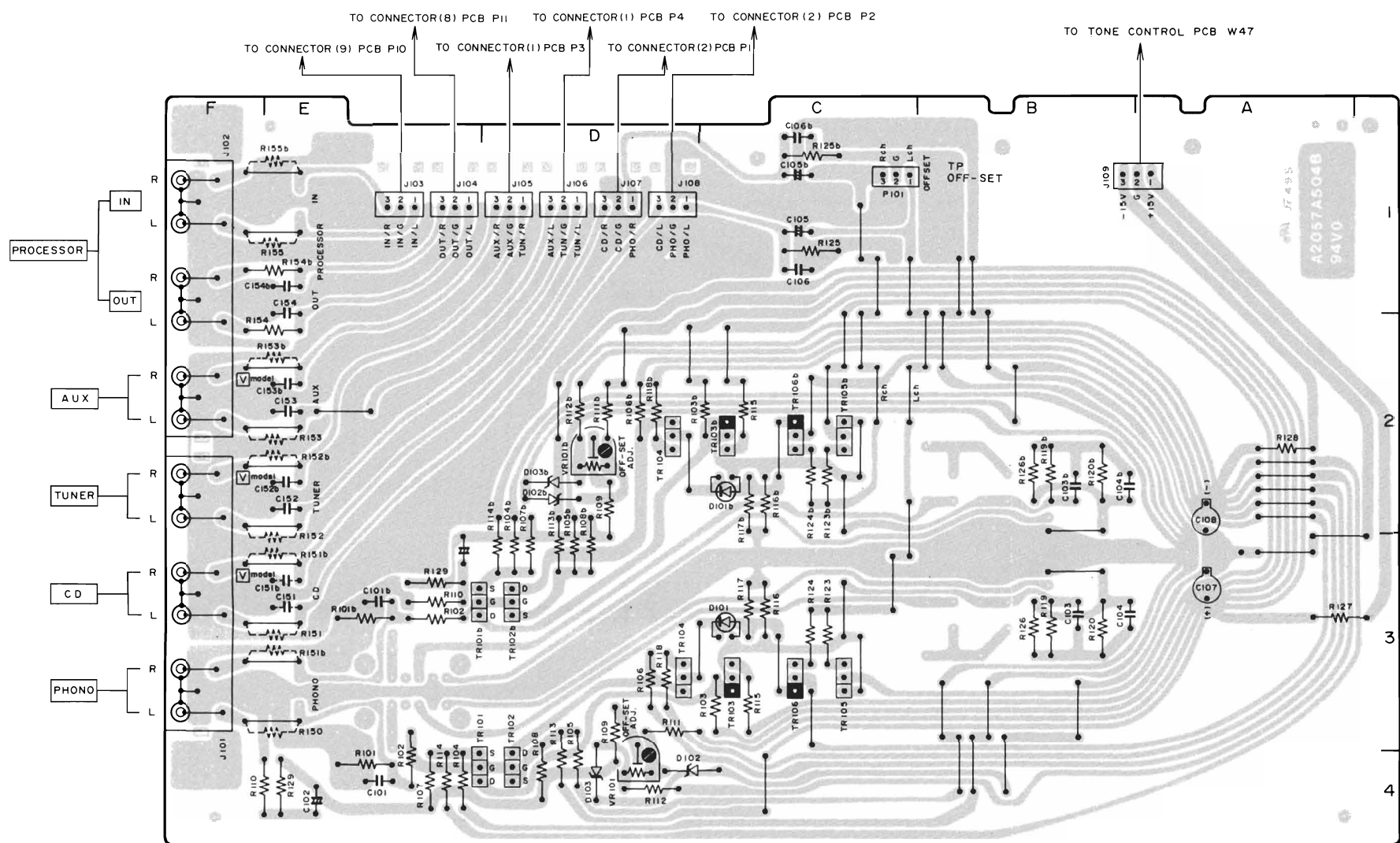
POWER LED PCB
A2057A503F

NOTE
UNLESS OTHERWISE SPECIFIED:
ALL RESISTORS IN OHMS 1/4 W (J)
ALL CAPACITORS IN μ F 25 WV (M)

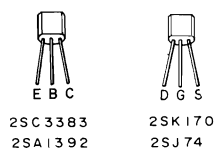
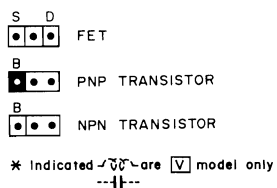
AM-75
EQUALIZER & INPUT PCB
SCHEMATIC DIAGRAM
NO. 7-3 A206502M

B (POWER SUPPLY) LINE
MAIN SIGNAL LINE
REC OUT SIGNAL LINE

1
2
3
4
5
6
7
8

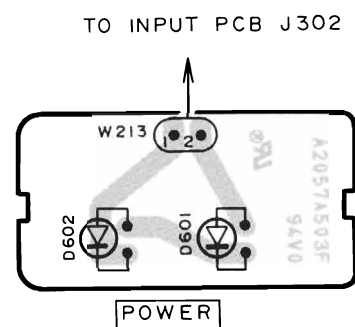
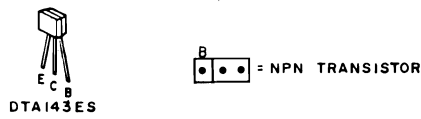
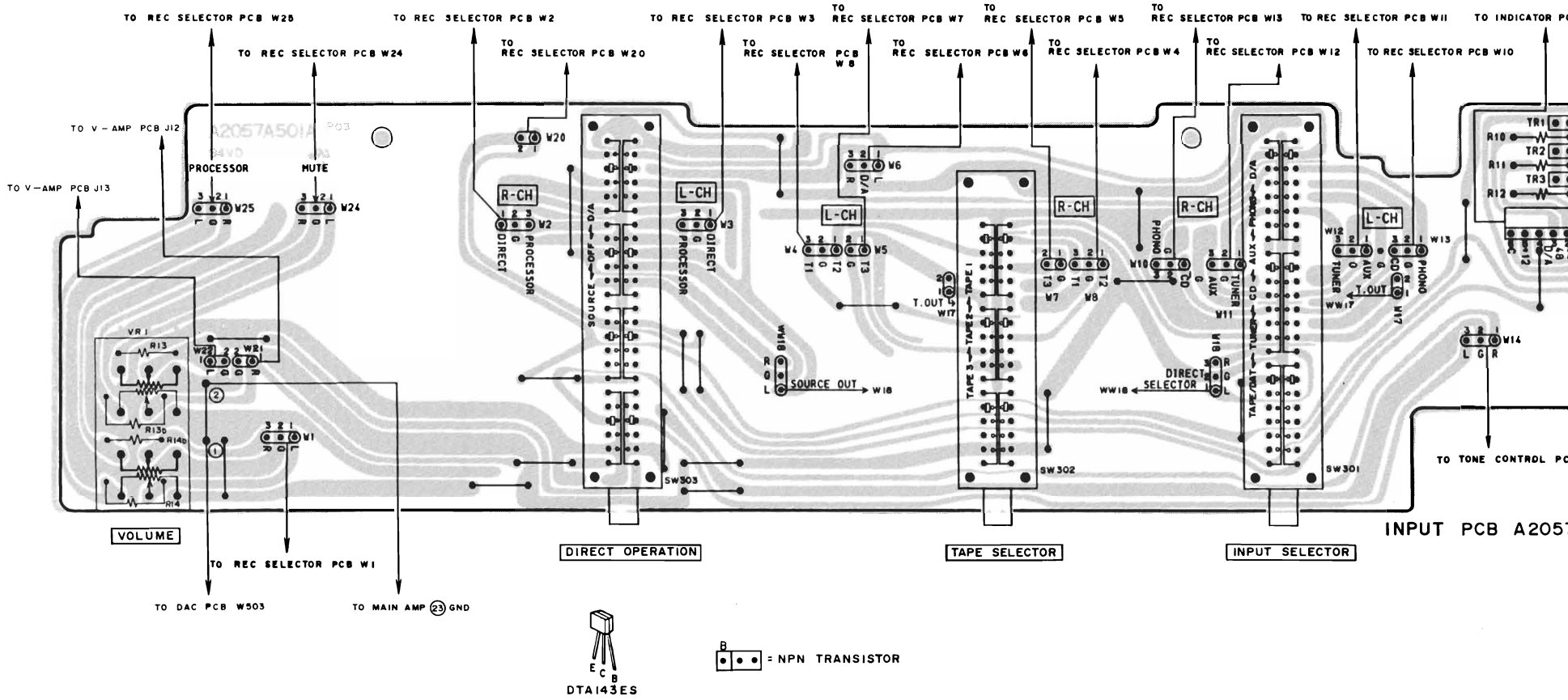


EQUALIZER PCB A2057A504B (J2)



LOCATION OF COMPONENTS

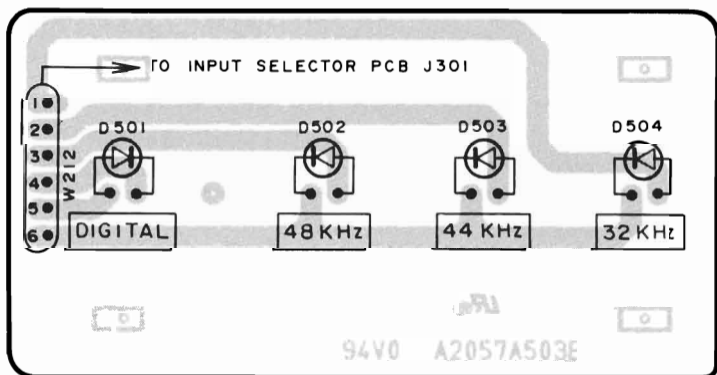
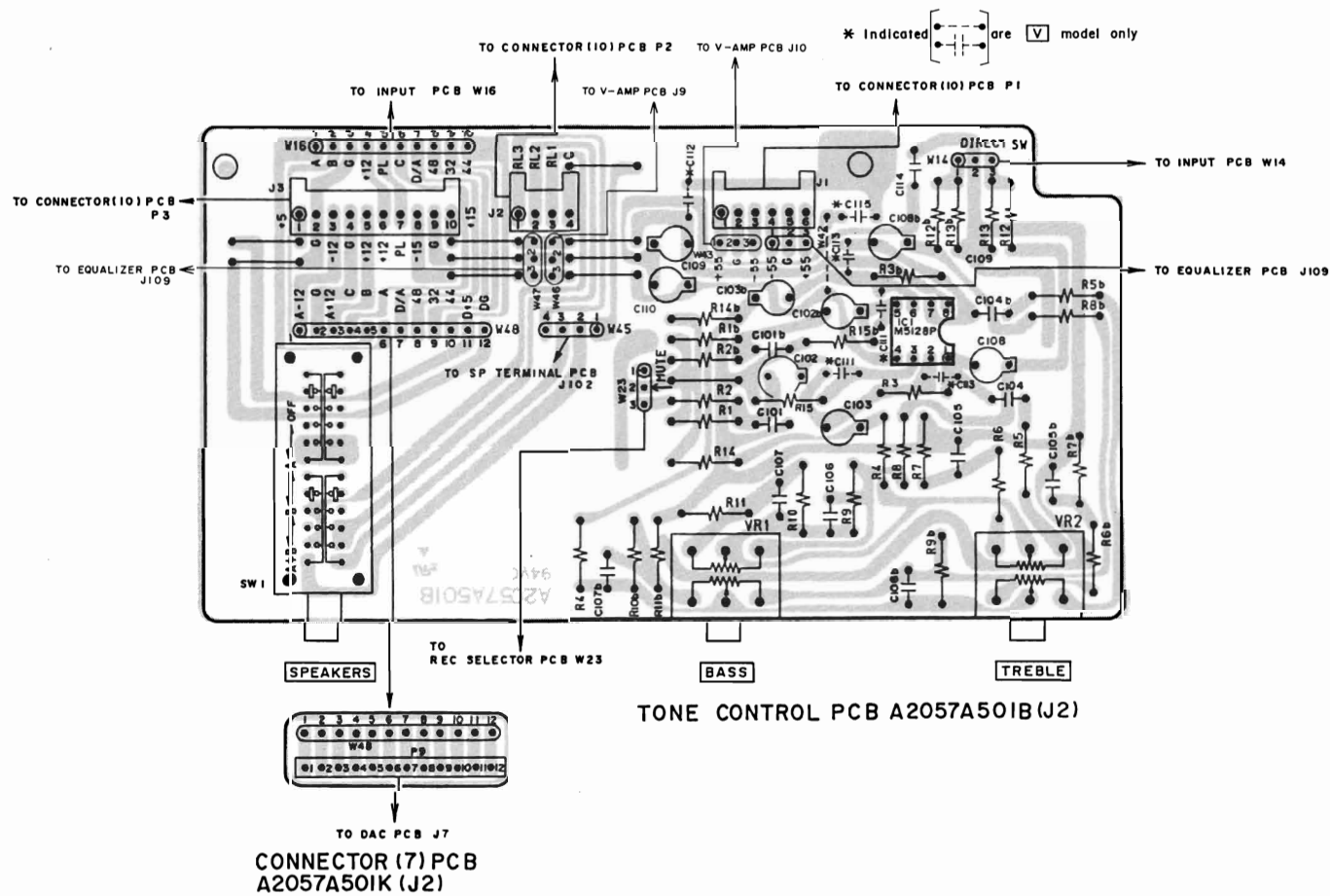
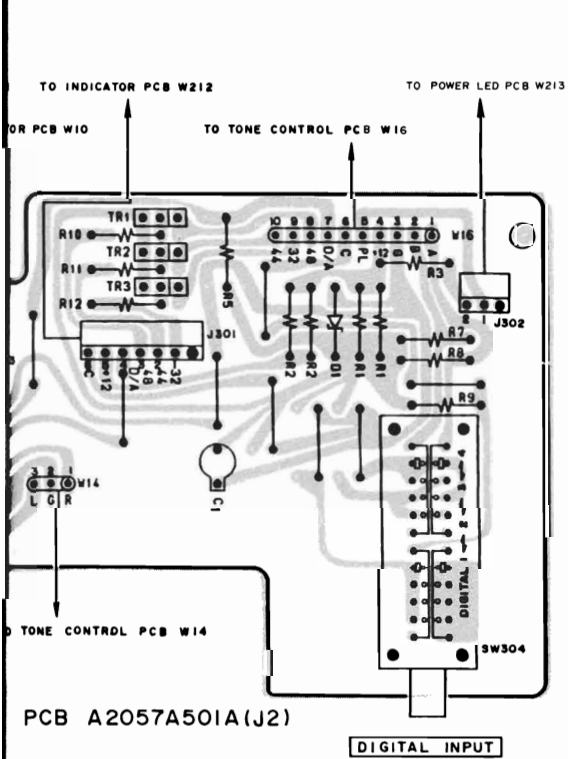
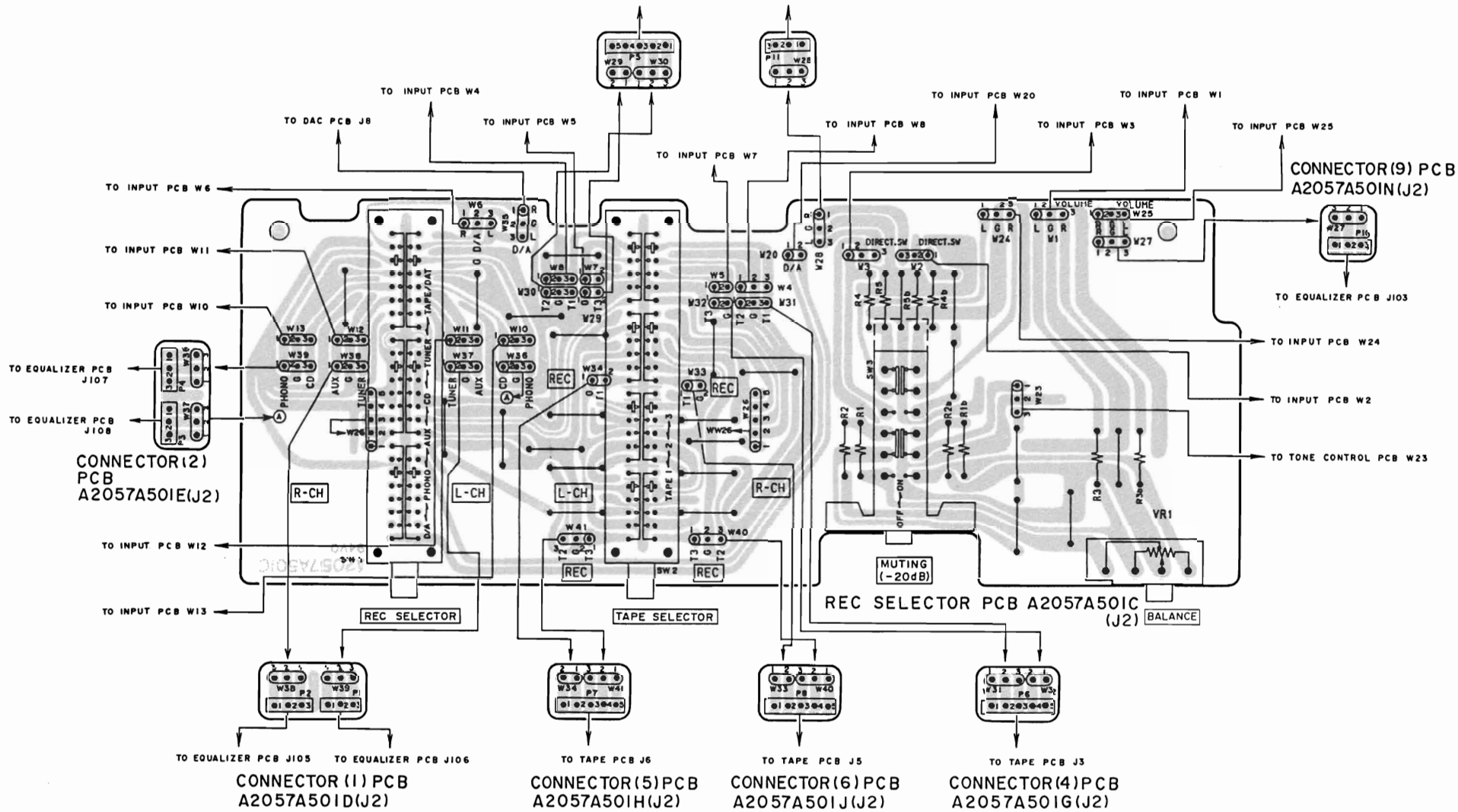
TRANSISTOR		CONNECTOR	
TR101	... E4	J101	... F3
TR101b	... E3	J102	... F1
TR102	... E4	J103	... E1
TR102b	... E3	J104	... E1
TR103	... D3	J105	... E1
TR103b	... D2	J106	... D1
TR104	... D3	J107	... D1
TR104b	... D2	J108	... D1
TR105	... C3	J109	... B1
TR105b	... C2	PI01	... C1
TR106	... C3		
TR106b	... C2		



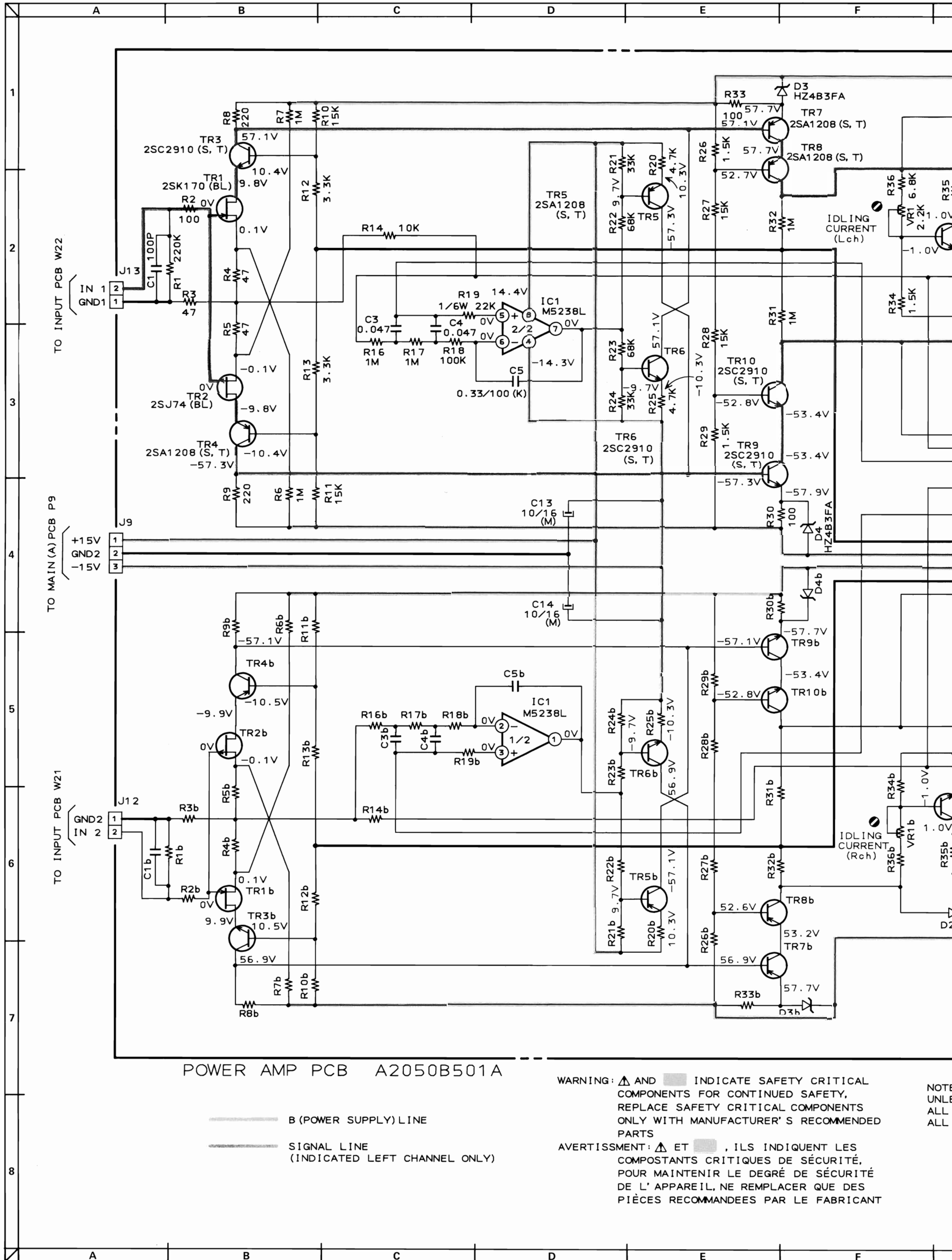
POWER LED PCB A2057A503F (J1)

CONNECTOR(3) PCB A2057A501F(J2)
TO TAPE PCB J4

CONNECTOR(8) PCB A2057A501L(J2)
TO EQUALIZER PCB J104



INDICATOR PCB A2057A503E(J1)

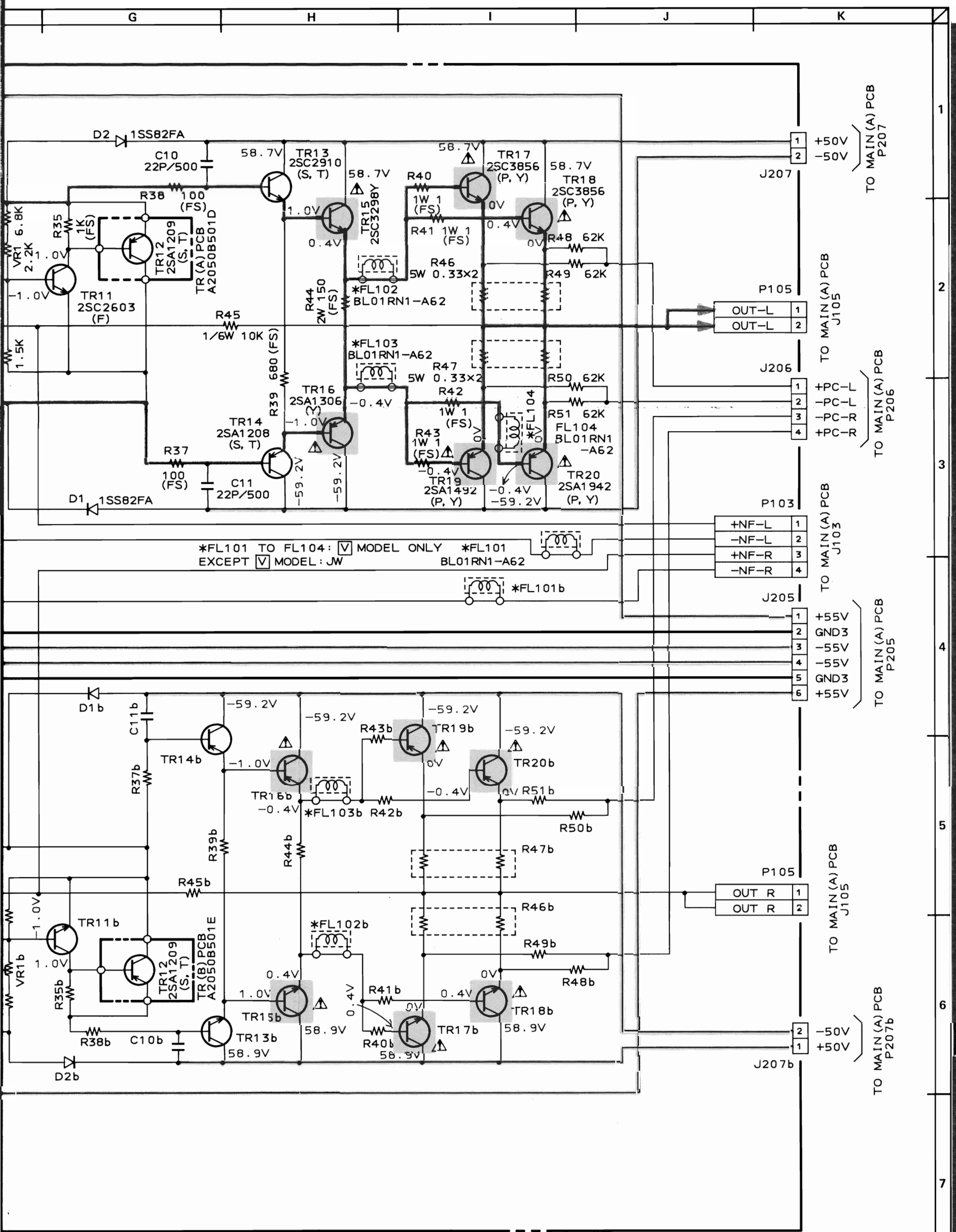


POWER AMP PCB A2050B501A

B (POWER SUPPLY) LINE
 SIGNAL LINE
 (INDICATED LEFT CHANNEL ONLY)

WARNING: AND INDICATE SAFETY CRITICAL COMPONENTS FOR CONTINUED SAFETY, REPLACE SAFETY CRITICAL COMPONENTS ONLY WITH MANUFACTURER'S RECOMMENDED PARTS
 AVERTISSEMENT: ET , ILS INDIQUENT LES COMPOSTANTS CRITIQUES DE SÉCURITÉ, POUR MAINTENIR LE DEGRÉ DE SÉCURITÉ DE L'APPAREIL, NE REMPLACER QUE DES PIÈCES RECOMMANDÉES PAR LE FABRICANT

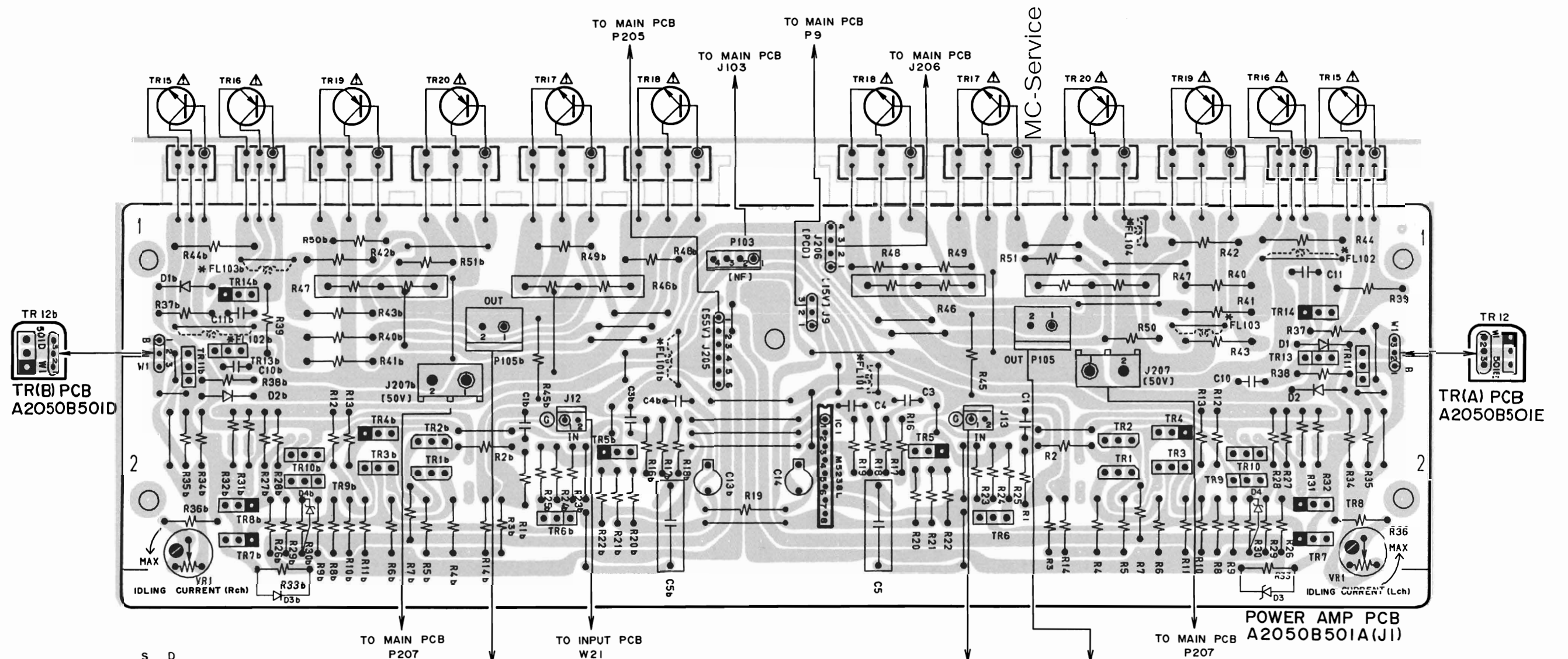
NOTE
 UNLE
 ALL
 ALL



NOTE
 UNLESS OTHERWISE SPECIFIED
 ALL RESISTORS IN OHMS 1/4W(J)
 ALL CAPACITORS IN μ F125WV(J)

*INDICATED VOLTAGES ARE MESURED
 IN NO SIGNAL INPUT AND
 VOLUME IS MINIMUM MODE.

AM-95
 POWER AMP PCB
 SCHEMATIC DIAGRAM
 NO. 7-4 A206402M

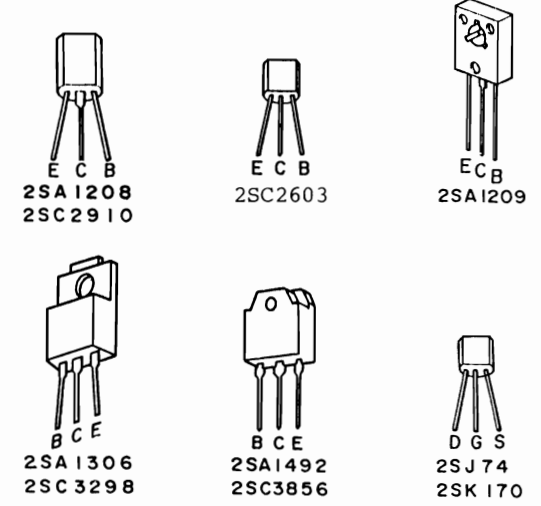


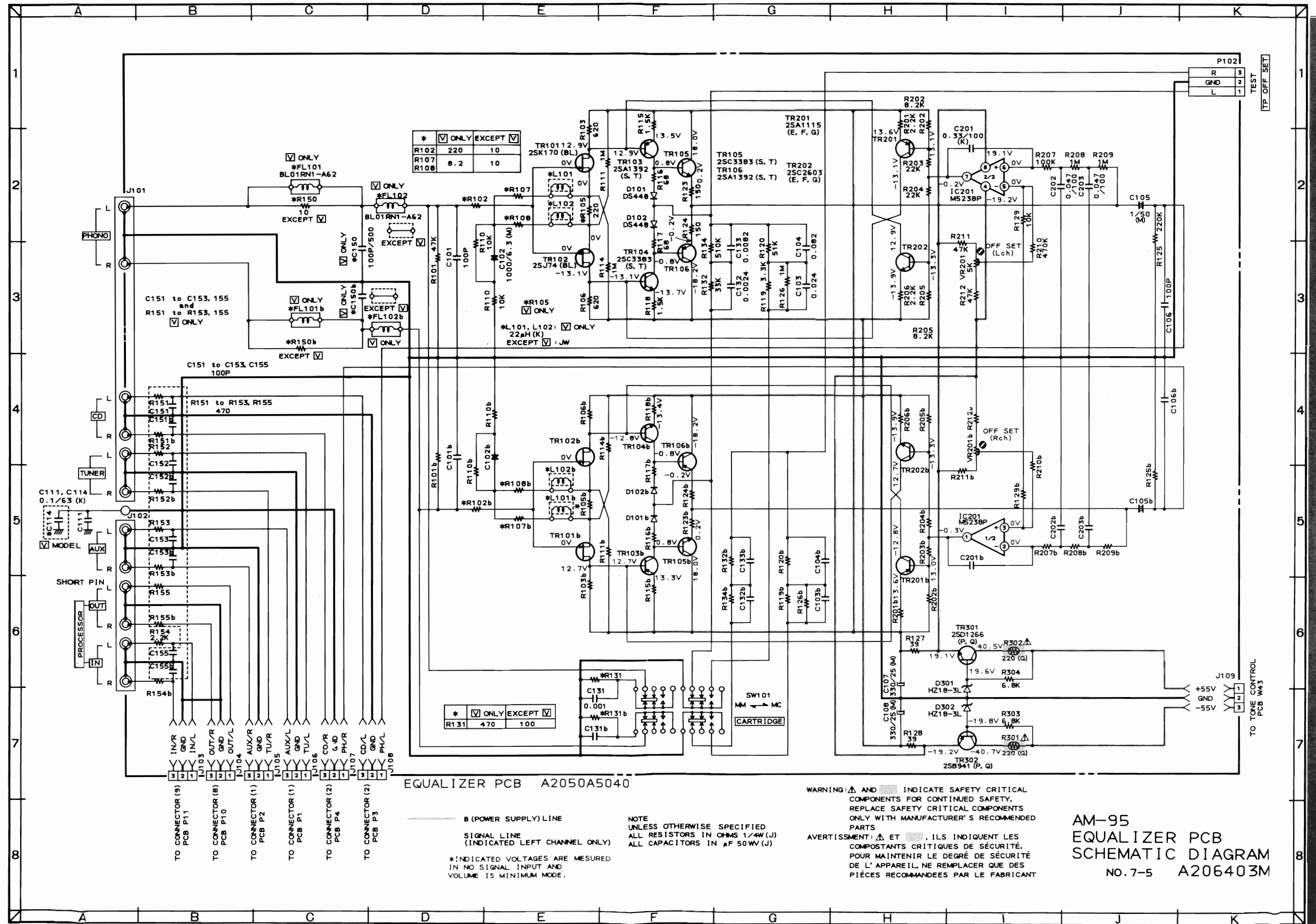
S D
 ● ● FET
 B ● ● PNP TRANSISTOR
 B ● ● NPN TRANSISTOR
 * Indicated are model only

WARNING: INDICATES SAFETY CRITICAL COMPONENTS FOR CONTINUED SAFETY. REPLACE SAFETY CRITICAL COMPONENTS ONLY WITH MANUFACTURER'S RECOMMENDED PARTS.
 AVERTISSEMENT: IL INDIQUE LES COMPOSANTS CRITIQUES DE SÉCURITÉ POUR MAINTENIR LE DEGRÉ DE SÉCURITÉ DE L'APPAREIL. NE REMPLACER QUE DES PIÈCES RECOMMANDÉES PAR LE FABRICANT.

LOCATION OF COMPONENTS

IC	TRANSISTOR	CONNECTOR
IC 1.....C2	TR1.....B2	J12b.....E2
IC 1.....C2	TR1b.....E2	J13.....C2
IC 1.....C2	TR2.....B2	J207.....B2
IC 1.....C2	TR2b.....E2	J207b.....E2
IC 1.....C2	TR3.....B2	P103.....D
IC 1.....C2	TR3b.....E2	P105.....B1
IC 1.....C2	TR4.....B2	P105b.....E1
IC 1.....C2	TR4b.....E2	
IC 1.....C2	TR5.....C2	
IC 1.....C2	TR5b.....D2	
IC 1.....C2	TR6.....C2	
IC 1.....C2	TR6b.....E2	
IC 1.....C2	TR7.....A2	
IC 1.....C2	TR7b.....F2	
IC 1.....C2	TR8.....A2	
IC 1.....C2	TR8b.....F2	
IC 1.....C2	TR9.....A2	
IC 1.....C2	TR9b.....F2	
IC 1.....C2	TR10.....A2	
IC 1.....C2	TR10b.....F2	
IC 1.....C2	TR11.....A2	
IC 1.....C2	TR11b.....F2	
IC 1.....C2	TR12.....A2	
IC 1.....C2	TR12b.....F2	
IC 1.....C2	TR13.....A2	
IC 1.....C2	TR13b.....F1	
IC 1.....C2	TR14.....A1	
IC 1.....C2	TR14b.....F1	
IC 1.....C2	TR15.....A1	
IC 1.....C2	TR15b.....F1	
IC 1.....C2	TR16.....A1	
IC 1.....C2	TR16b.....F1	
IC 1.....C2	TR17.....C1	
IC 1.....C2	TR17b.....D1	
IC 1.....C2	TR18.....C1	
IC 1.....C2	TR18b.....D1	
IC 1.....C2	TR19.....B1	
IC 1.....C2	TR19b.....E2	
IC 1.....C2	TR20.....B1	
IC 1.....C2	TR20b.....E2	





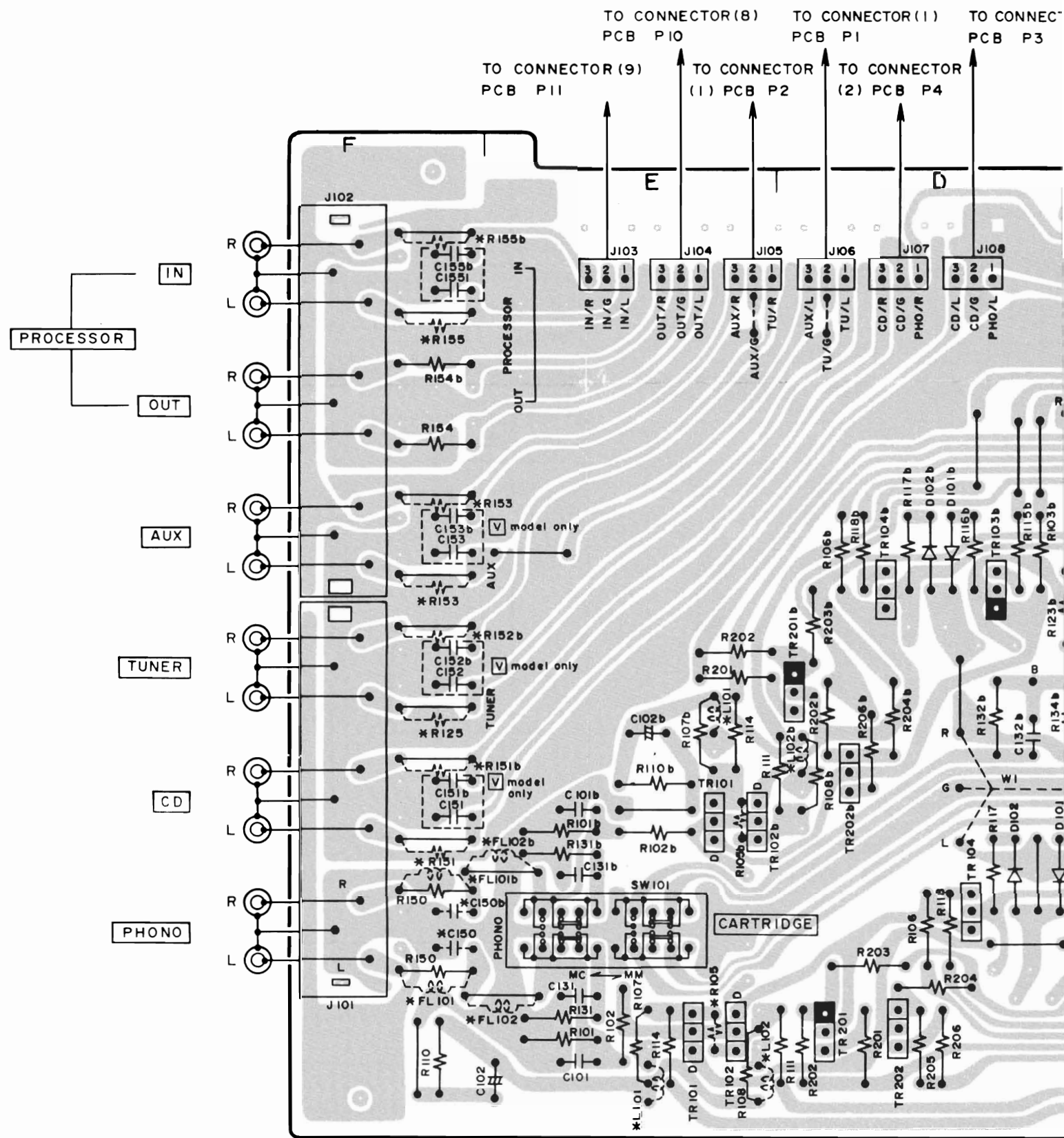
EQUALIZER PCB A2050A5040

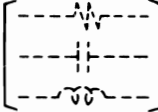
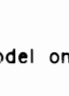
B (POWER SUPPLY) LINE
 SIGNAL LINE
 (INDICATED LEFT CHANNEL ONLY)
 *INDICATED VOLTAGES ARE MEASURED
 IN NO SIGNAL INPUT AND
 VOLUME IS MINIMUM MODE.

NOTE
 UNLESS OTHERWISE SPECIFIED
 ALL RESISTORS IN OHMS 1/4W(J)
 ALL CAPACITORS IN μF 50WV(J)

WARNING: Δ AND ■ INDICATE SAFETY CRITICAL COMPONENTS FOR CONTINUED SAFETY. REPLACE SAFETY CRITICAL COMPONENTS ONLY WITH MANUFACTURER'S RECOMMENDED PARTS
 AVERTISSEMENT: Δ ET ■ ILS INDICENT LES COMPOSTANTS CRITIQUES DE SÉCURITÉ. POUR MAINTENIR LE DEGRÉ DE SÉCURITÉ DE L'APPAREIL, NE REMPLACER QUE DES PIÈCES RECOMMANDÉES PAR LE FABRICANT


AM-95
 EQUALIZER PCB
 SCHEMATIC DIAGRAM
 No. 7-5 A206403M




* Indicated  are  model only

LOCATION OF COMPONENTS

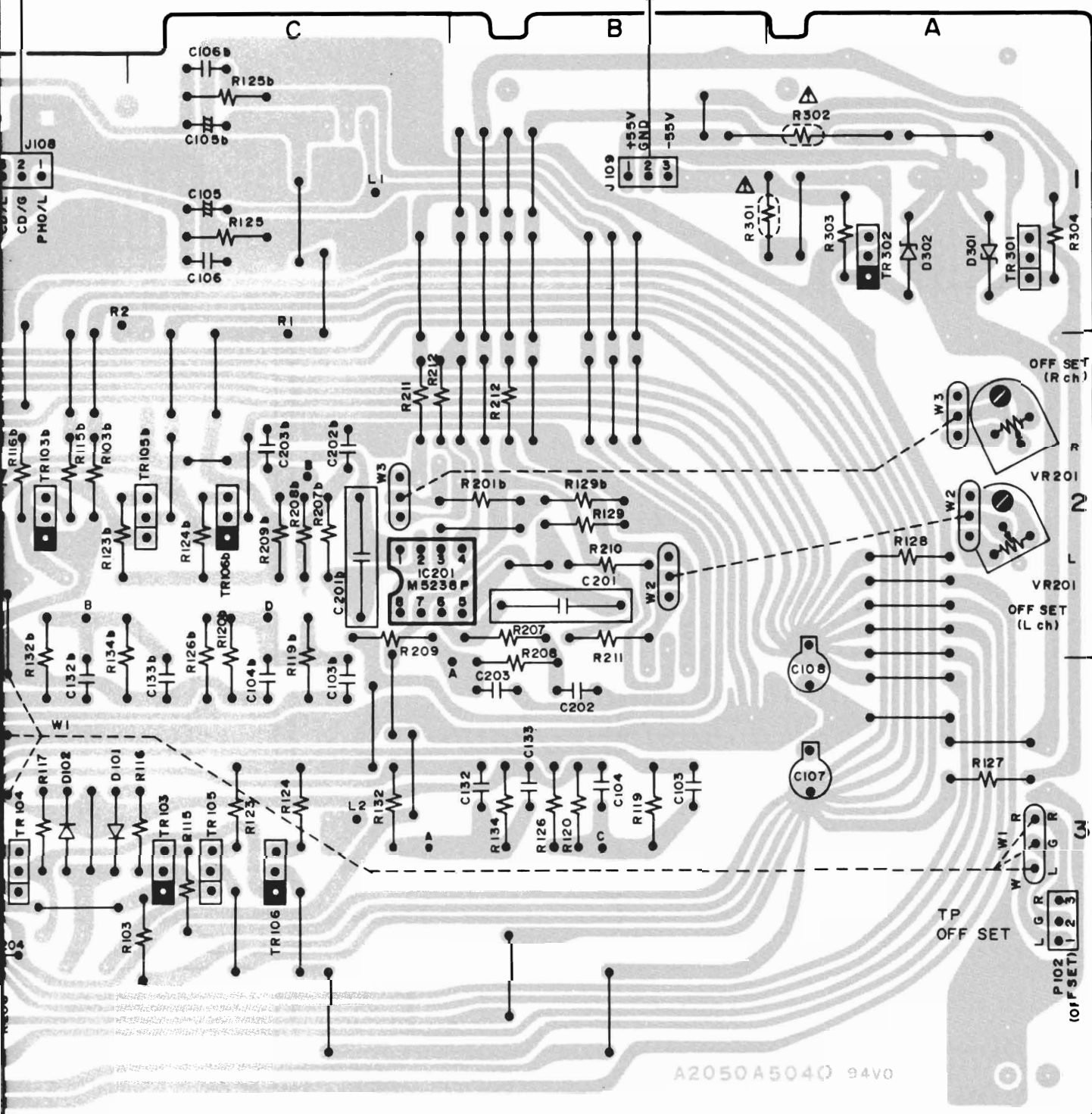
IC	CONNECTOR
IC 201 C 2	J101
	J102
	J103
	J104
	J105
	J106
	J107
	J108
	J109
	P101
	P102

WARNING  INDICATES SAFETY CRITICAL COMPONENTS FOR CONTINUED SAFETY. REPLACE SAFETY CRITICAL COMPONENTS ONLY WITH MANUFACTURER'S RECOMMENDED PARTS

AVERTISSEMENT  IL INDIQUE LES COMPOSANTS CRITIQUES DE SÉCURITÉ POUR MAINTENIR LE DEGRÉ DE SÉCURITÉ DE L'APPAREIL. NE REMPLACER QUE DES PIÈCES RECOMMANDÉES PAR LE FABRICANT

TO CONNECTOR (2)
PCB P3

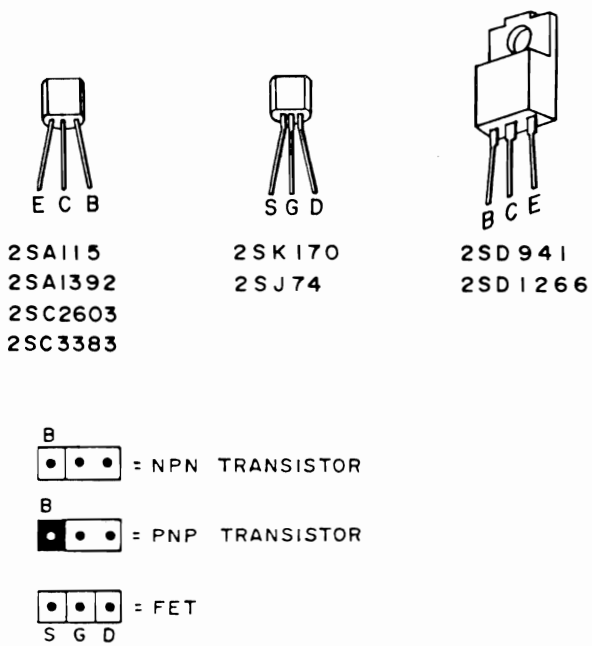
TO TONE CONTROL
W43

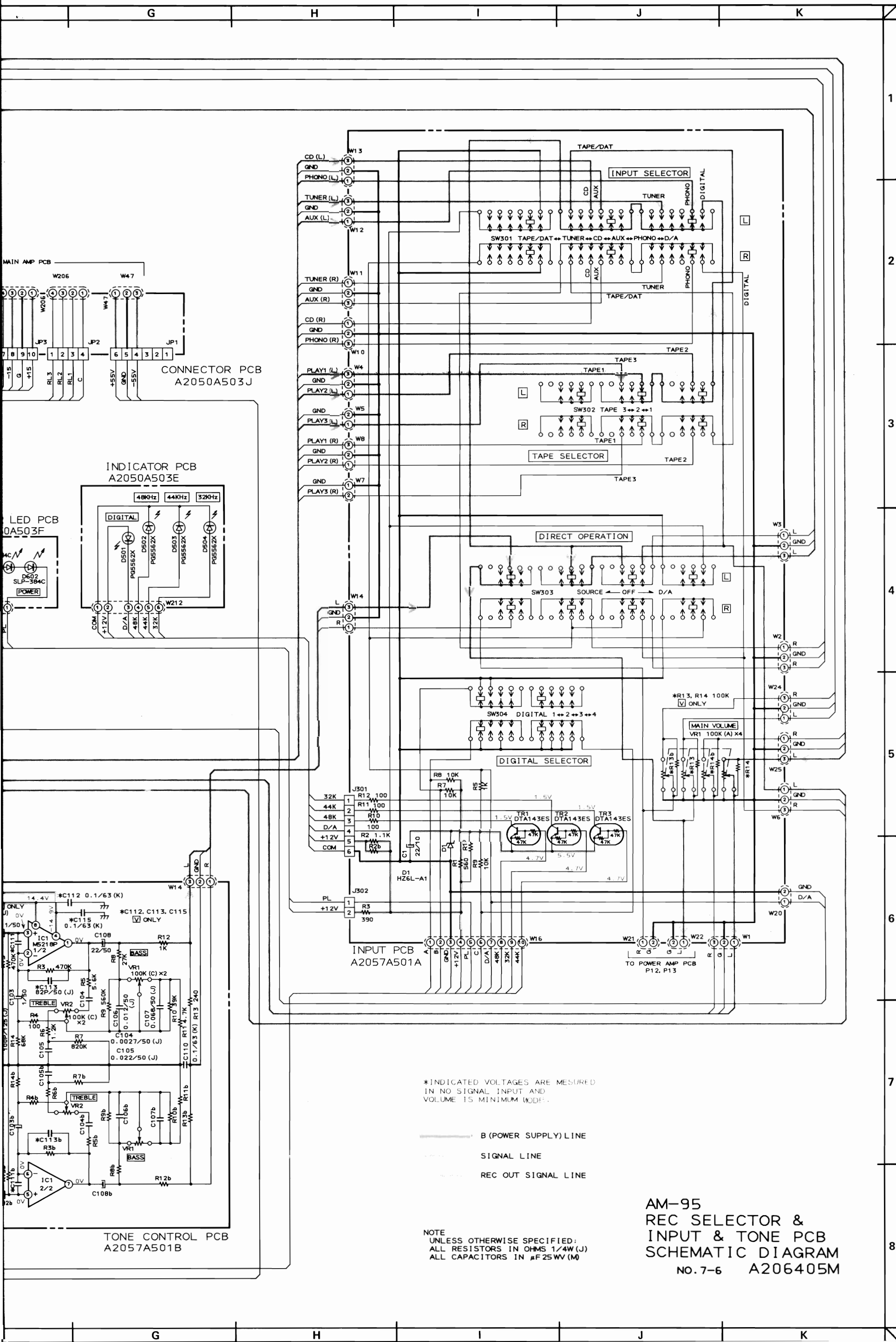


EQUALIZER PCB A2050A5040

COMPONENTS

CONNECTOR	TRANSISTOR
J101 F3	TR 101 E3
J102 F1	TR 101b E3
J103 E1	TR 102 E3
J104 E1	TR 102b E3
J105 E1	TR 103 C3
J106 D1	TR 103b D2
J107 D1	TR 104 D3
J108 D1	TR 104b D2
J109 B1	TR 105 C3
P101 C1	TR 105b C2
P102 A3	TR 106 C3
	TR 106b C2
	TR201 D3
	TR201b D2
	TR202 D3
	TR202b D3
	TR301 A1
	TR302 A1



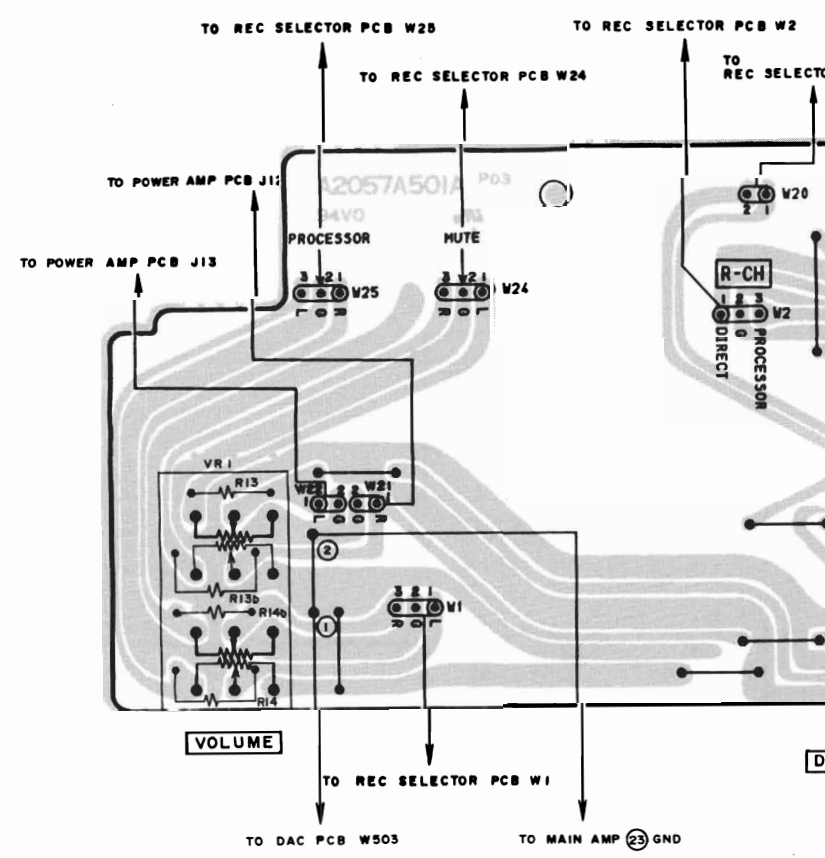
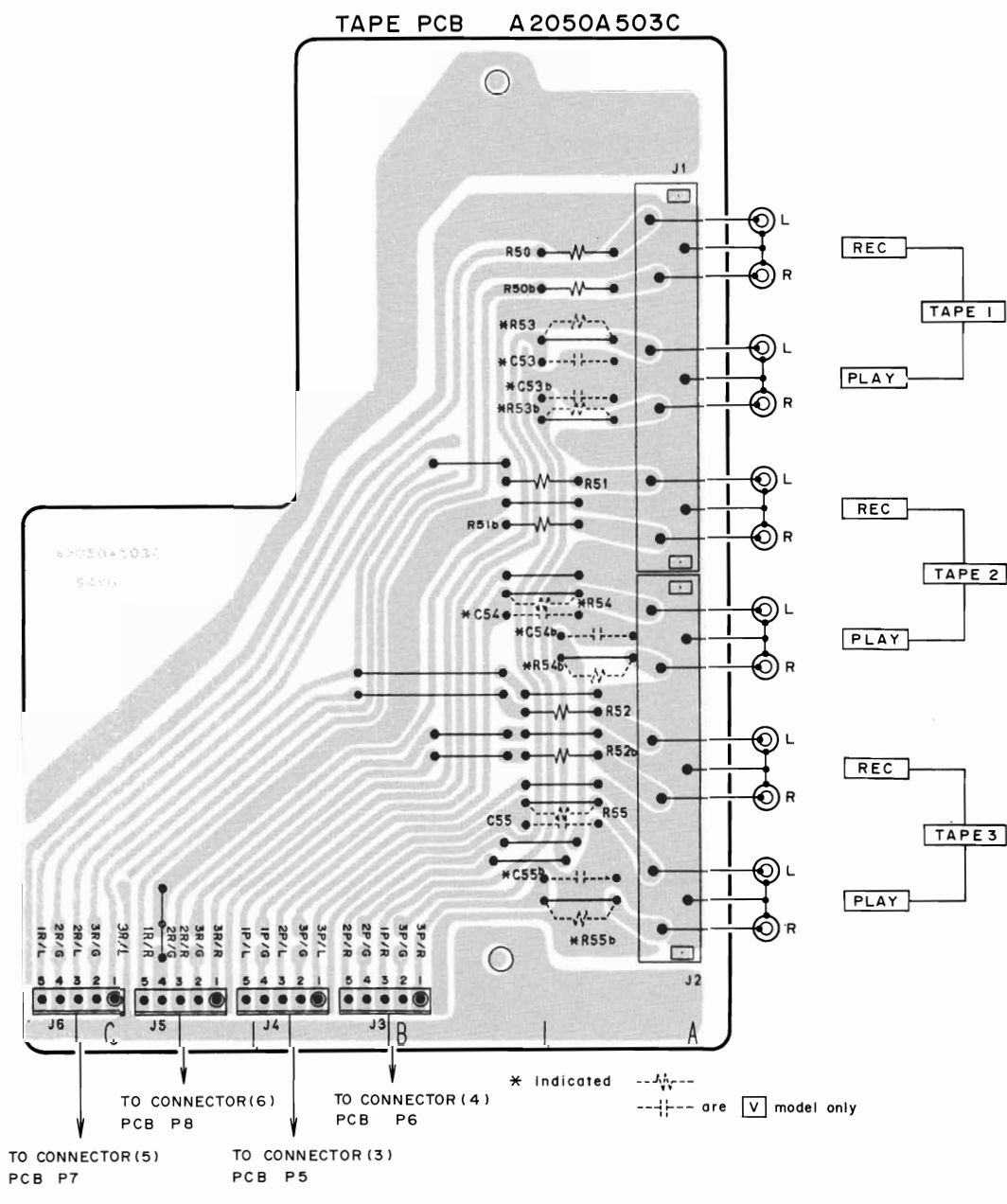
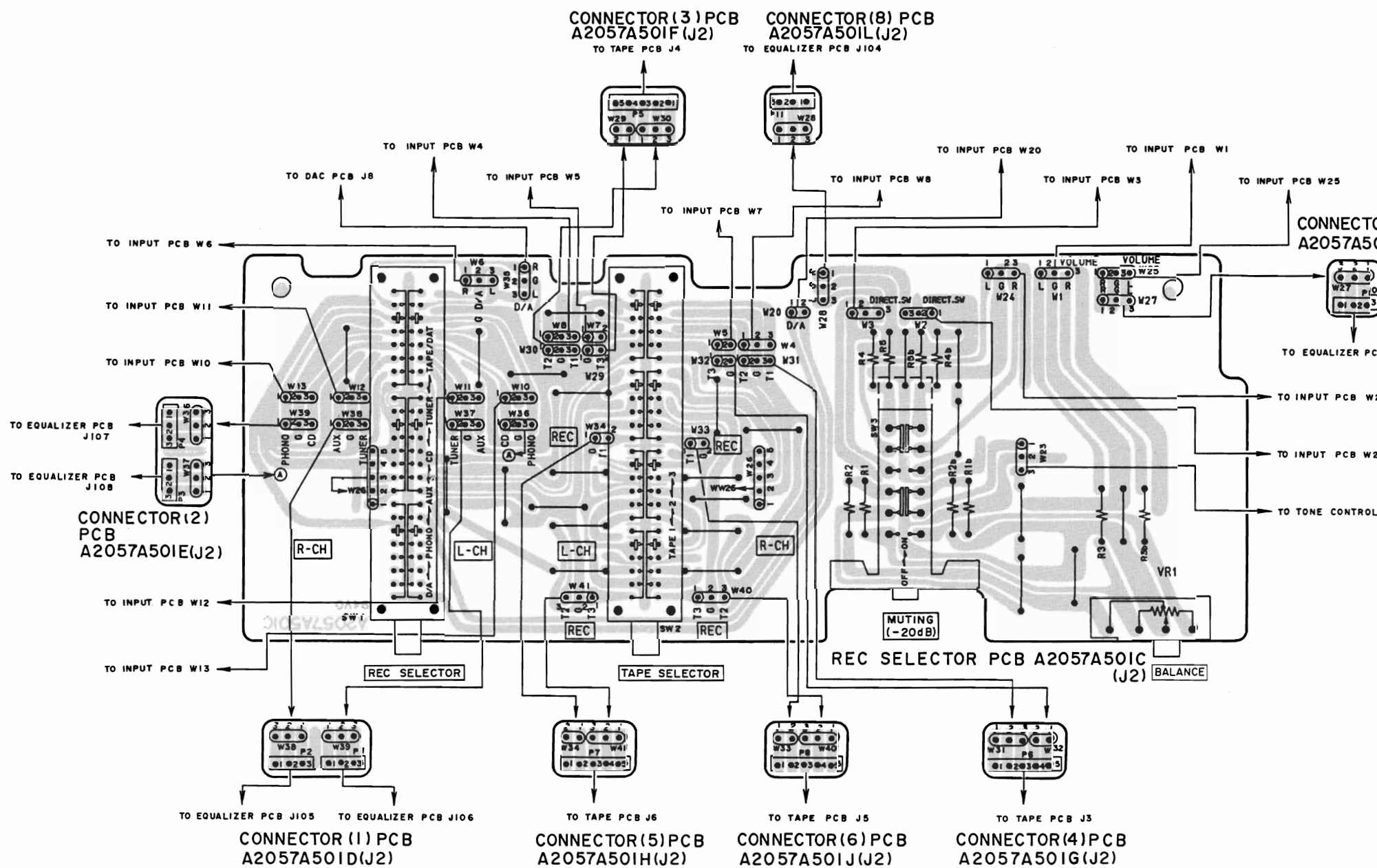


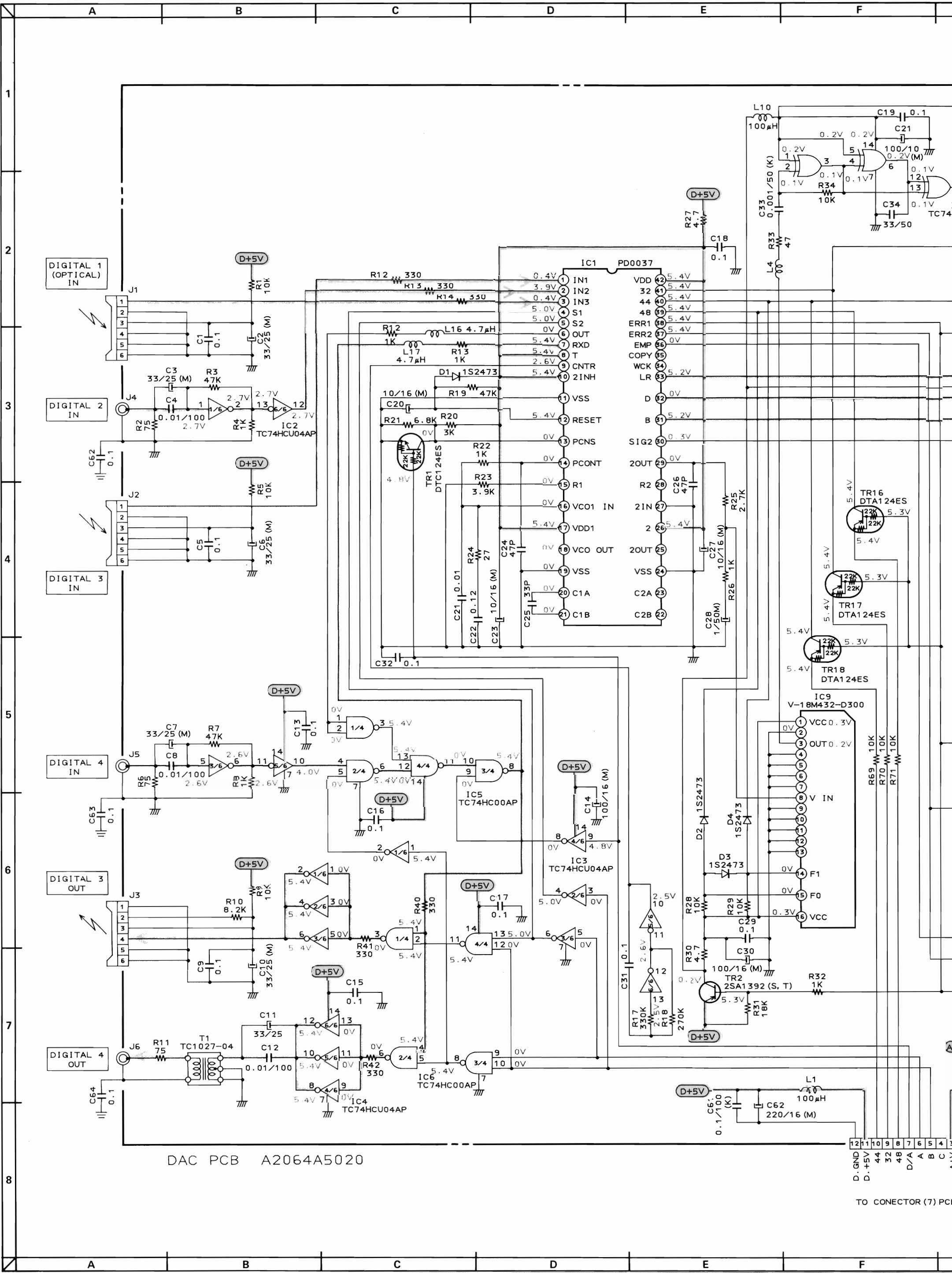
*INDICATED VOLTAGES ARE MEASURED IN NO SIGNAL INPUT AND VOLUME IS MINIMUM (MODE).

- B (POWER SUPPLY) LINE
- SIGNAL LINE
- REC OUT SIGNAL LINE

NOTE
UNLESS OTHERWISE SPECIFIED:
ALL RESISTORS IN OHMS 1/4W(J)
ALL CAPACITORS IN μF 25WV(M)

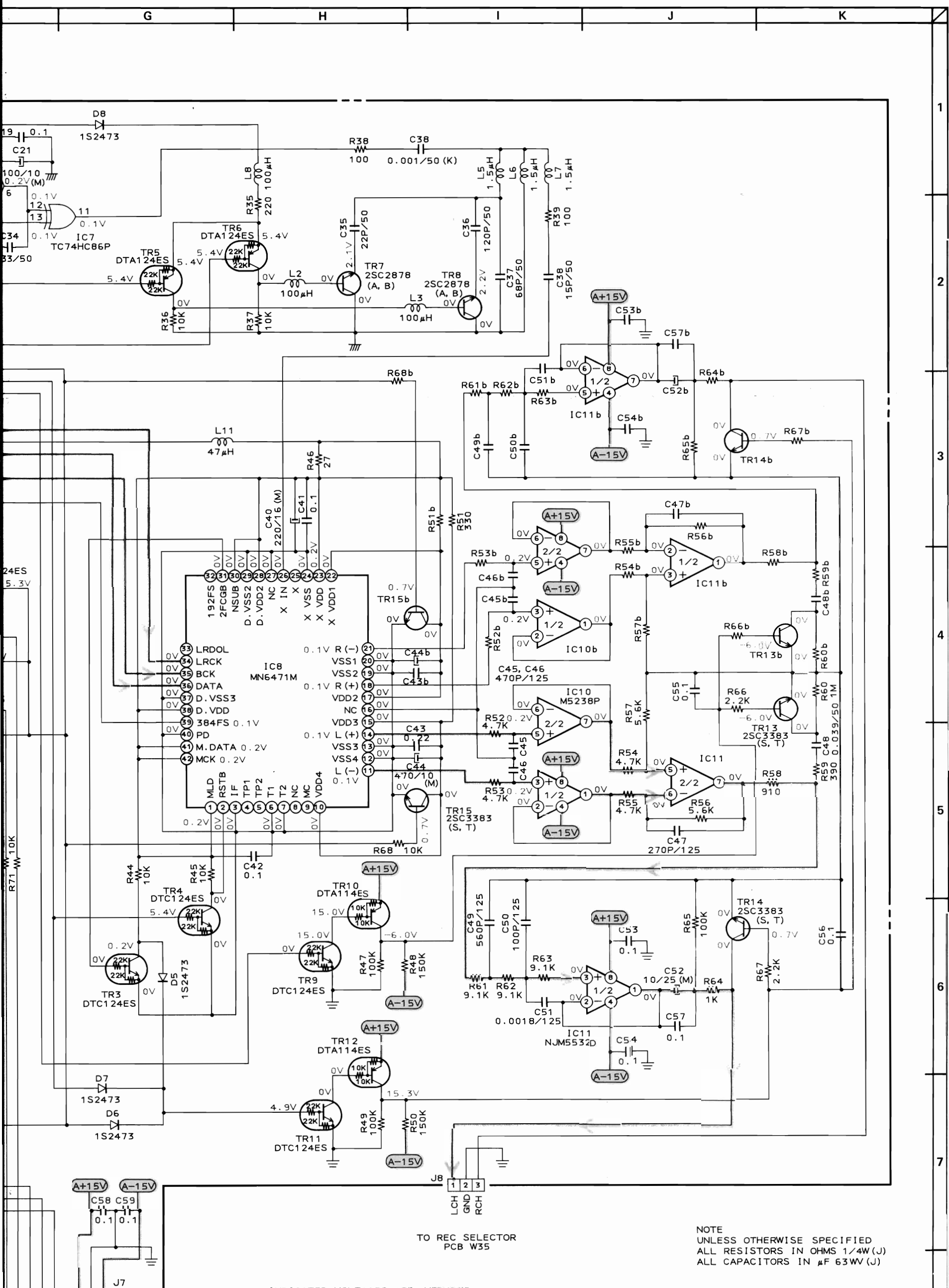
**AM-95
REC SELECTOR &
INPUT & TONE PCB
SCHEMATIC DIAGRAM
NO. 7-6 A206405M**





DAC PCB A2064A5020

TO CONECTOR (7) PCB



TO REC SELECTOR PCB W35

NOTE
UNLESS OTHERWISE SPECIFIED
ALL RESISTORS IN OHMS 1/4W(J)
ALL CAPACITORS IN μ F 63WV(J)

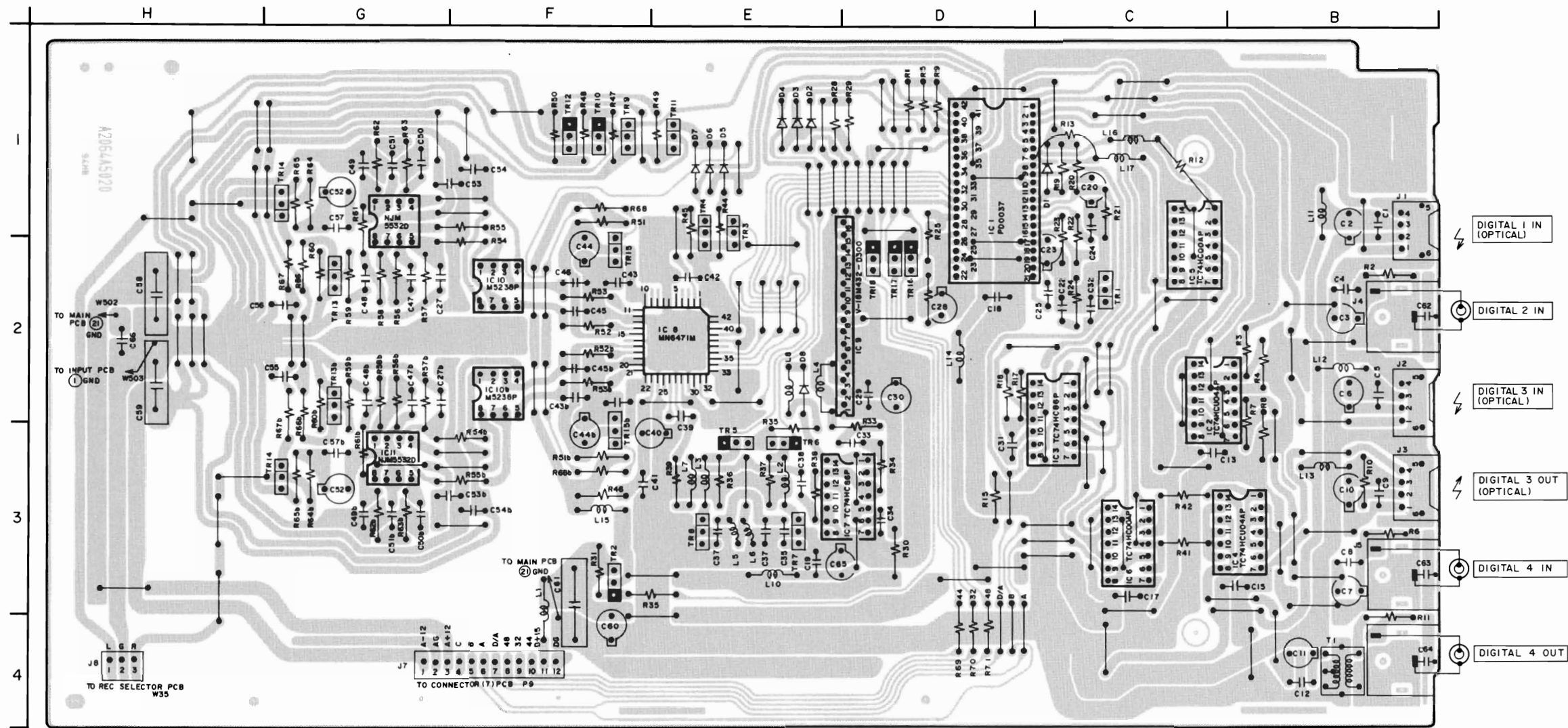
*INDICATED VOLTAGES ARE MEASURED
IN NO SIGNAL INPUT AND VOLUME IS
MINIMUM MODE.

AM-75/95
DAC PCB
SCHEMATIC DIAGRAM
NO. 7-7 A206405M

— B (POWER SUPPLY) LINE
— SIGNAL LINE (INDICATED LEFT CHANNEL ONLY)

CONNECTOR (7) PCB P9

9 8 7 6 5 4 3 2 1
32 48
D/A
A
B
C
A+V
A-V



DAC PCB A2064A5020

LOCATION OF COMPONENTS

ICs

- IC1.....D1,2
- IC2.....B,C2
- IC3.....C2,3
- IC4.....B,C3
- IC5.....C1,2
- IC6.....C3
- IC7.....D.E3
- IC8.....E2
- IC9.....D,E2
- IC10.....F2
- IC10b.....F2
- IC11.....G1,2
- IC11b.....G3

TRANSISTORS

- TR1.....C2
- TR2.....F3
- TR3.....E1,2
- TR4.....E1,2
- TR5.....E3
- TR6.....E3
- TR7.....E3
- TR8.....E3
- TR9.....F1
- TR10.....F1
- TR11.....E1
- TR12.....F1
- TR13.....G2
- TR13b.....G2
- TR14.....G1
- TR14b.....G3
- TR15.....F2
- TR15b.....F2,3
- TR16.....D2
- TR17.....D2
- TR18.....D2

CONNECTORS

- J7.....F4
- J8.....H4

