

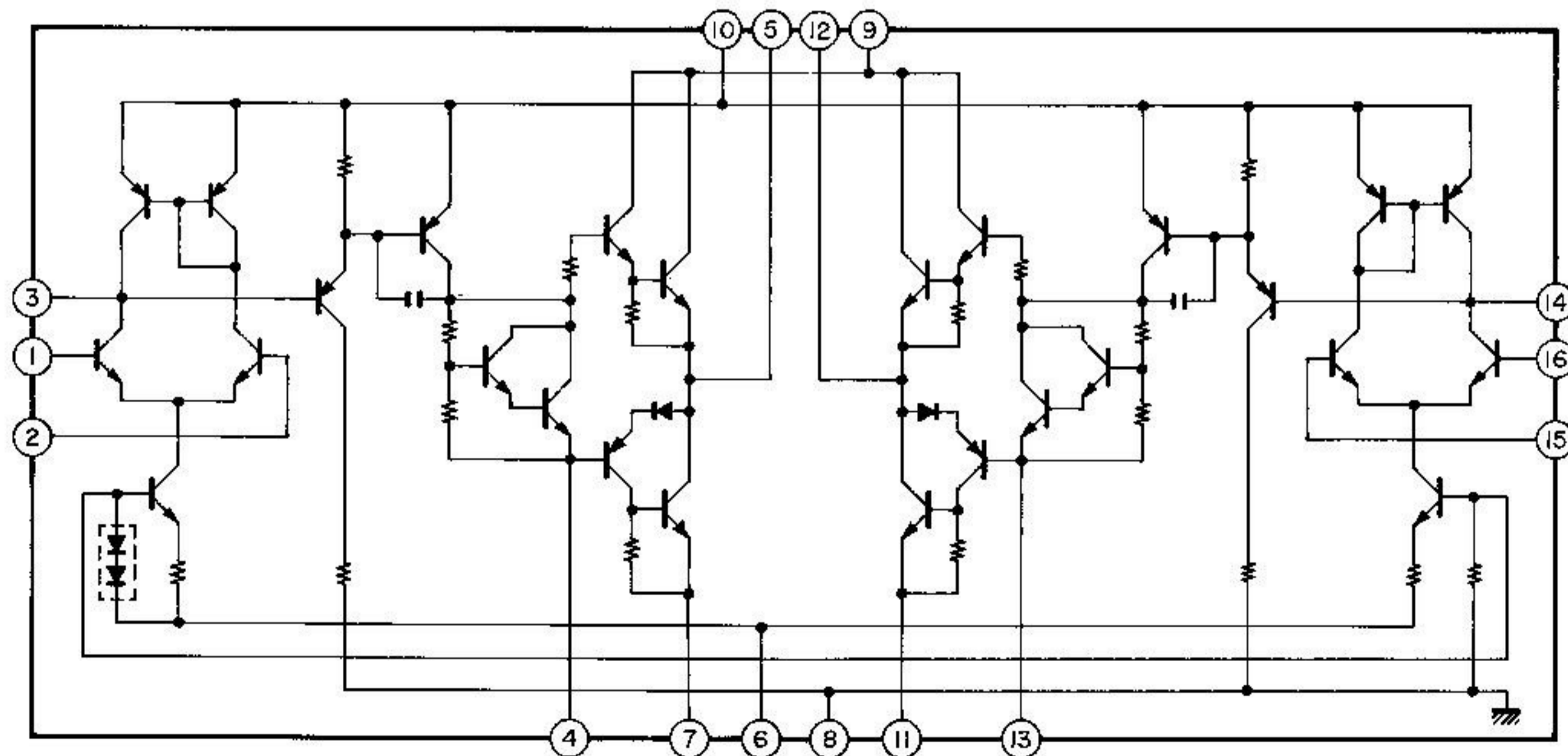
AKAI

MODEL AM-A2

SCHEMATIC DIAGRAM AND PC BOARD

1. SCHEMATIC DIAGRAM OF ICs	1
2. BLOCK DIAGRAM	1
3. SCHEMATIC DIAGRAM	2
4. FILTER PC BOARD, MAIN-AMP PC BOARD, POWER SUPPLY PC BOARD, SPEAKER TERMINAL PC BOARD	3
5. BALANCE PC BOARD, EQUALIZER PC BOARD, HEADPHONE PC BOARD, LED (1) PC BOARD, LED (2) PC BOARD, MAIN VR PC BOARD, SPEAKER SW PC BOARD, TAPE PC BOARD	4

STK 4833



AM-A2

MAIN AMP PCB A2032A501A U A2032A502A C,A

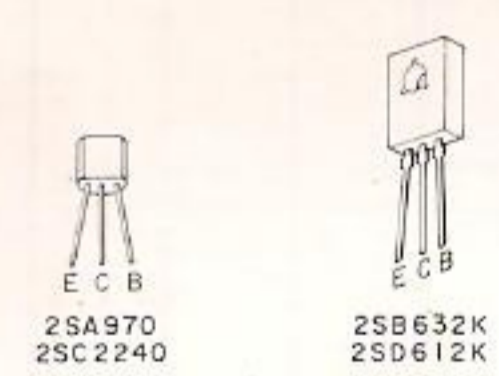
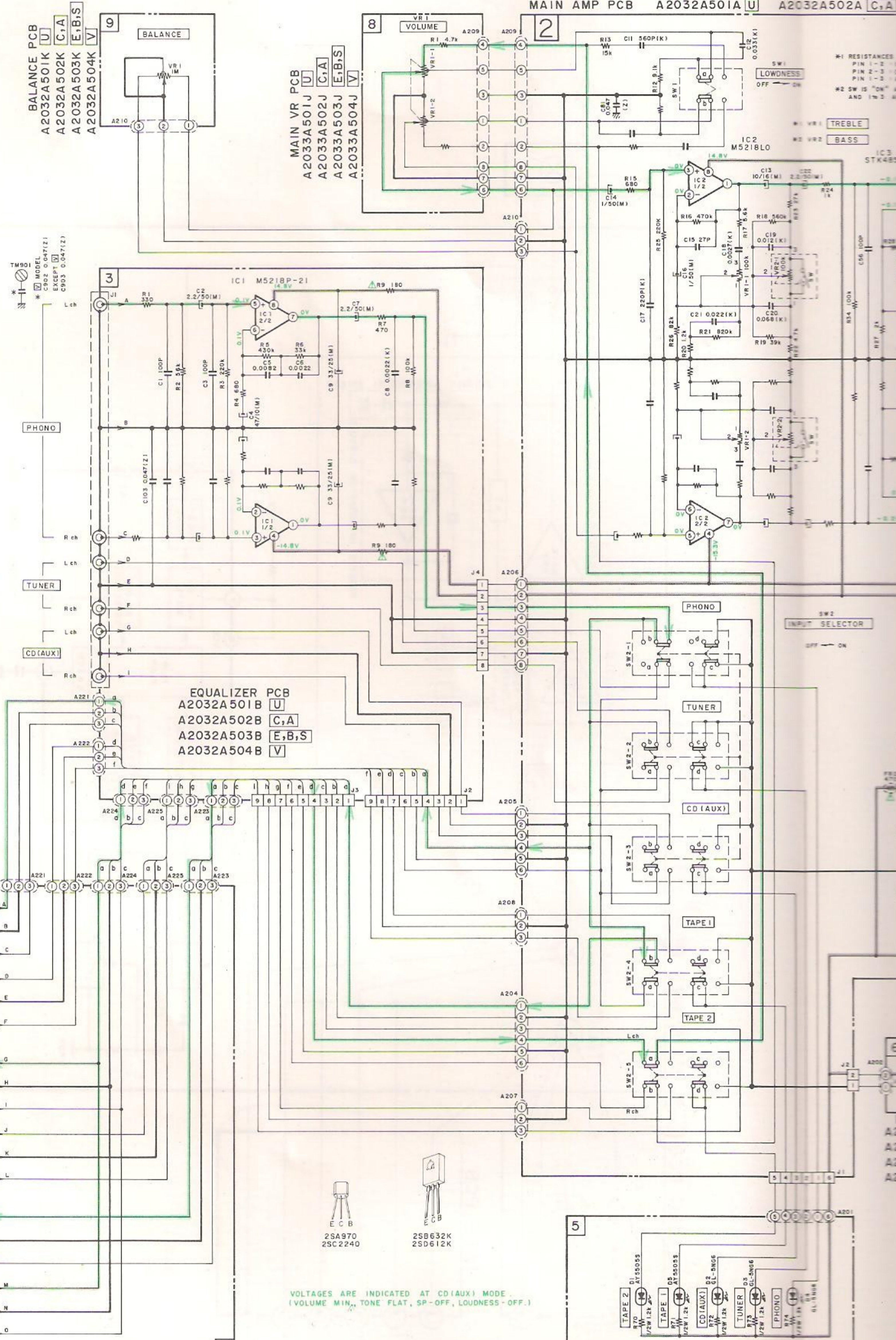
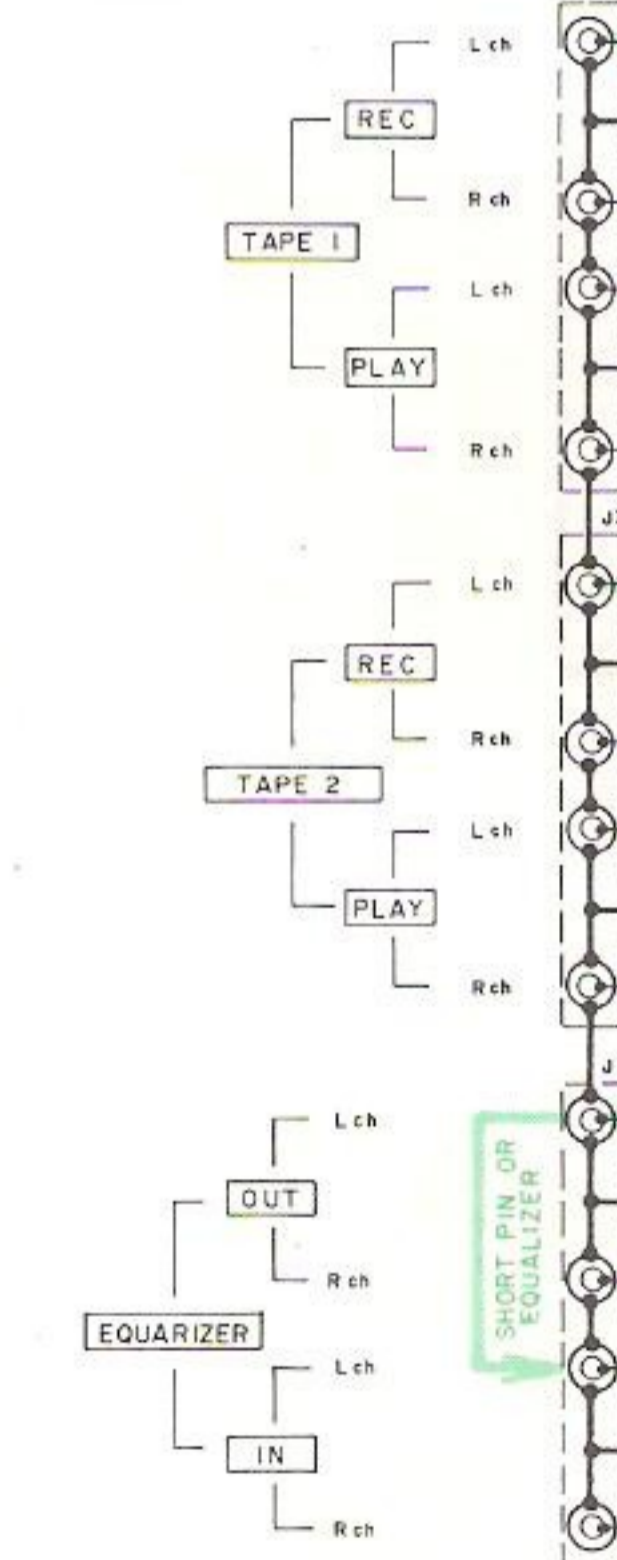
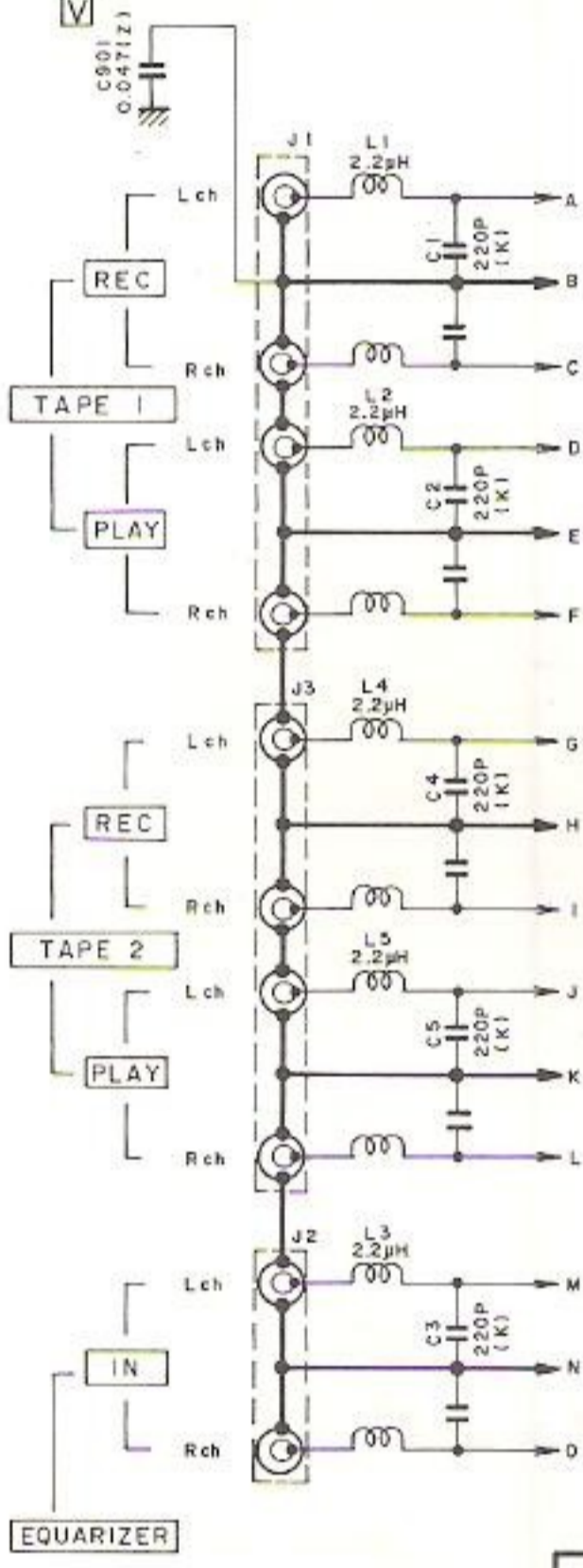
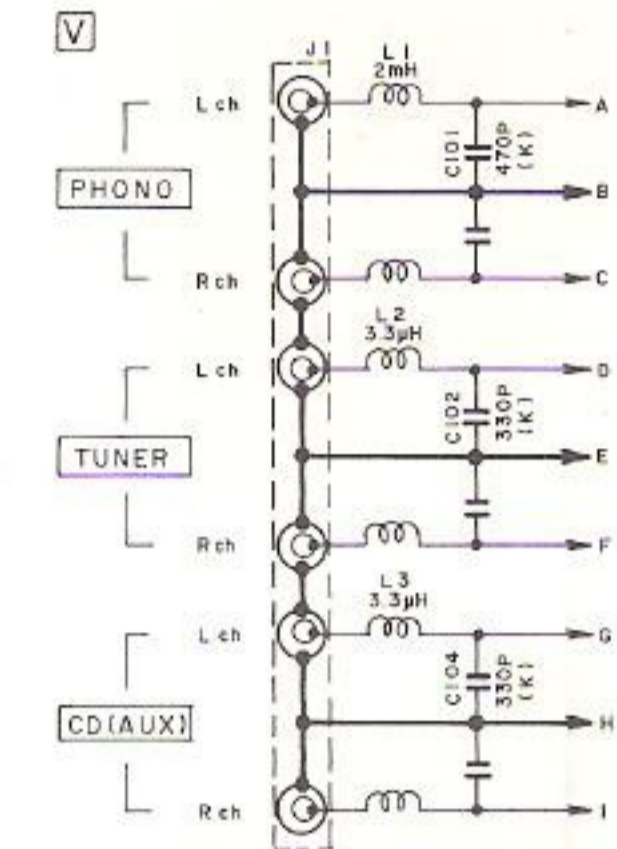
BALANCE PCB
 A2032A501K U
 A2032A502K C,A
 A2032A503K E,B,S
 A2032A504K V

MAIN VR PCB
 A2033A501J U
 A2033A502J C,A
 A2033A503J E,B,S
 A2033A504J V

EQUALIZER PCB
 A2032A501B U
 A2032A502B C,A
 A2032A503B E,B,S
 A2032A504B V

TAPE PCB
 A2032A501C U A2032A503C E,B,S
 A2032A502C C,A A2032A504C V

LED (1) PCB
 A2032A501G U
 A2032A502G C,A
 A2032A503G E,B,S
 A2032A504G V



VOLTAGES ARE INDICATED AT CD(AUX) MODE.
 (VOLUME MIN., TONE FLAT, SP-OFF, LOUDNESS-OFF.)

— B (POWER SUPPLY) LINE
 — SIGNAL LINE
 SIGNAL LINE IS INDICATED LEFT CHANNEL ONLY AT PHONO MODE.

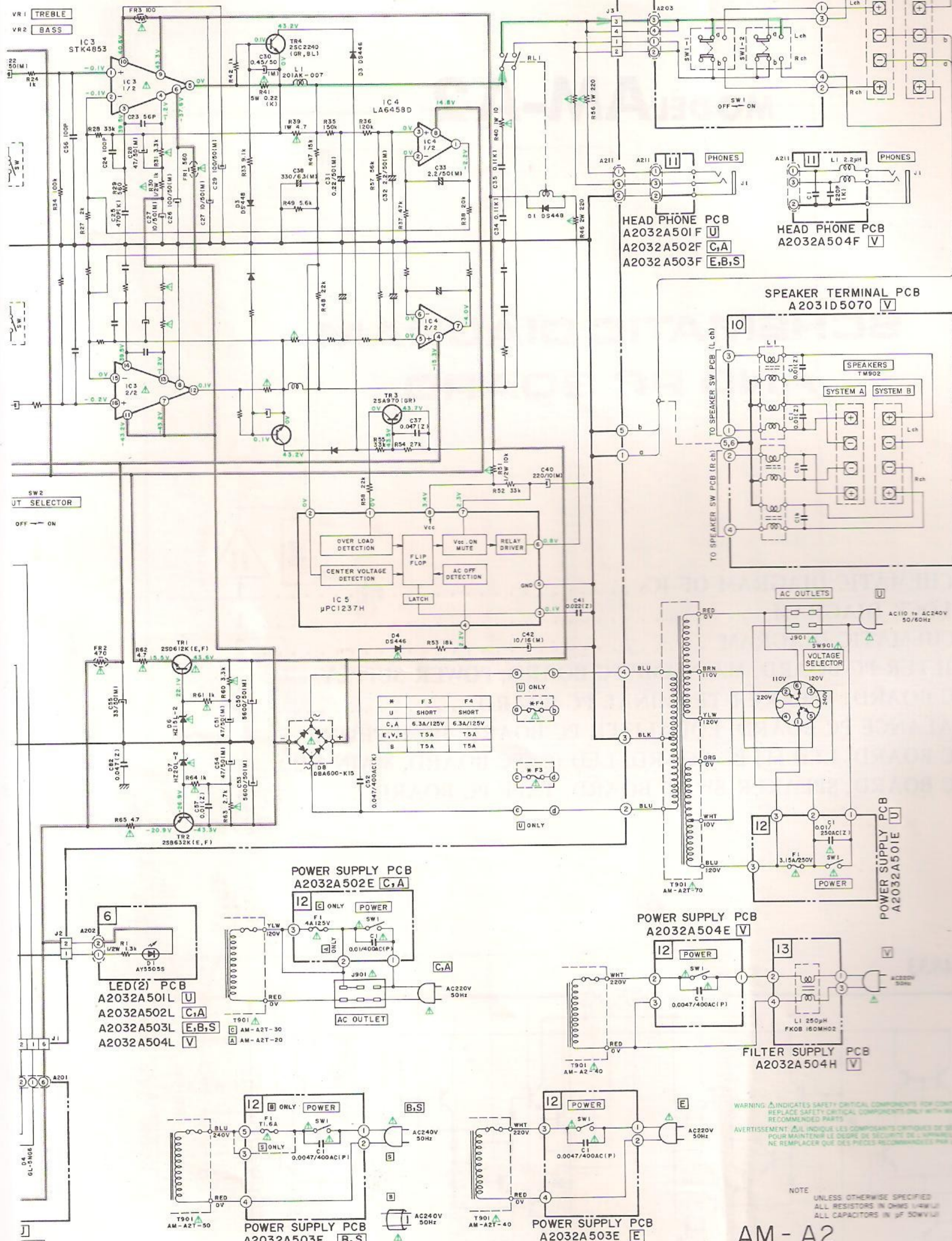
*1 RESISTANCES IN OHMS
 PIN 1-3 (CD) AND PIN 2-3 (TUNER)
 *2 SW IS "ON" AND "OFF" ARE

*3 VR1 TREBLE
 *4 VR2 BASS

SW2 INPUT SELECTOR
 OFF ON

32A502A [C,A] A2032A503A [E,B,S] A2032A504A [V]

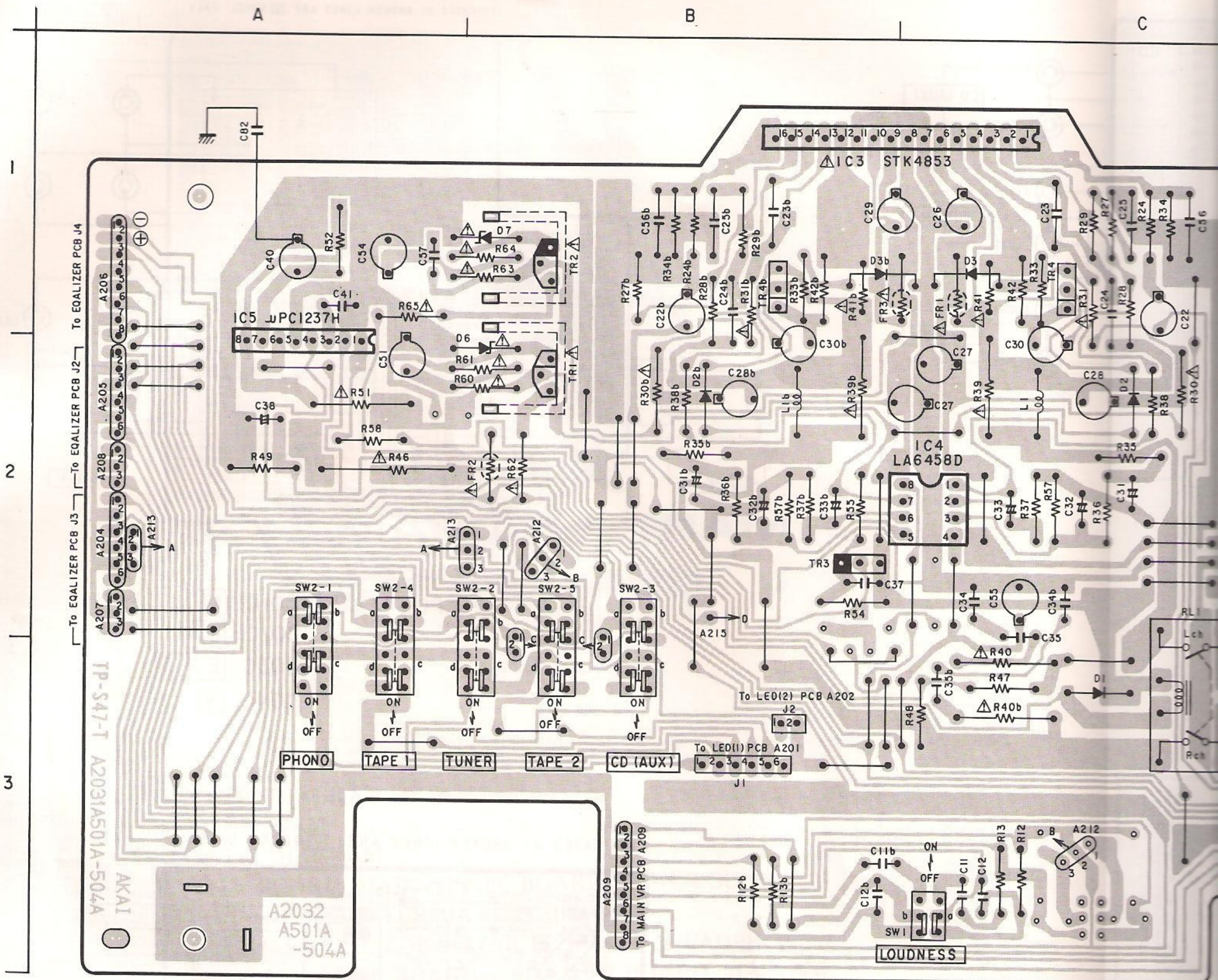
*R1 RESISTANCES BETWEEN PINS OF VR1
 PIN 1-2 : ∞ (INFINITY) AT CENTER
 PIN 2-3 : ∞ (INFINITY) AT CENTER
 PIN 1-3 : ALWAYS 100K OHMS
 *R2 SW IS "ON" AND THE RESISTANCES BETWEEN 1 & 2, 2 & 3
 AND 1 & 3 ARE WITHIN 30 OHMS AT VOLUME CENTER.



WARNING ⚠ INDICATES SAFETY CRITICAL COMPONENTS FOR CONTINUED SAFETY.
 REPLACE SAFETY CRITICAL COMPONENTS ONLY WITH MANUFACTURER'S
 RECOMMENDED PARTS.
 AVERTISSEMENT ⚠ IL INDIQUE LES COMPOSANTS CRITIQUES DE SÉCURITÉ.
 POUR MAINTENIR LE DEGRÉ DE SÉCURITÉ DE L'APPAREIL,
 NE REMPLACER QUE DES PIÈCES RECOMMANDÉES PAR LE FABRICANT.

NOTE
 UNLESS OTHERWISE SPECIFIED
 ALL RESISTORS IN OHMS (4W/1/2)
 ALL CAPACITORS IN µF (50WV/10)

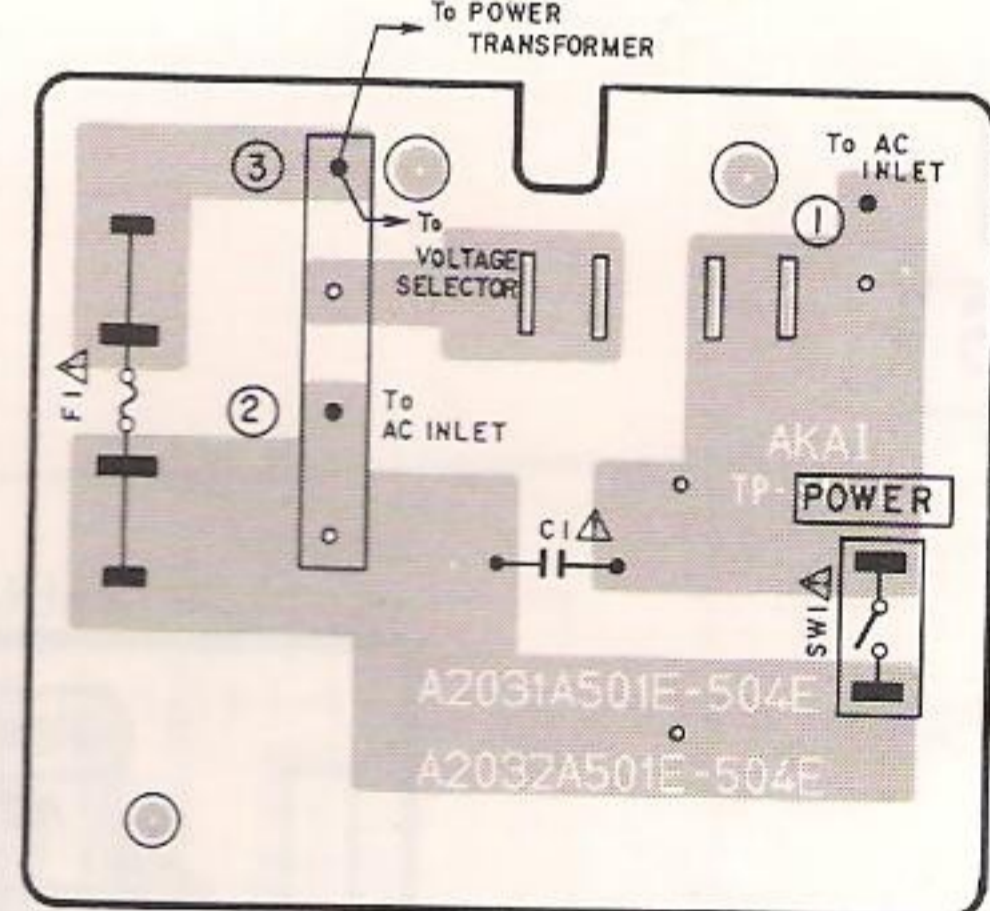
AM-A2
 SCHEMATIC DIAGRAM
 NO. 840805A



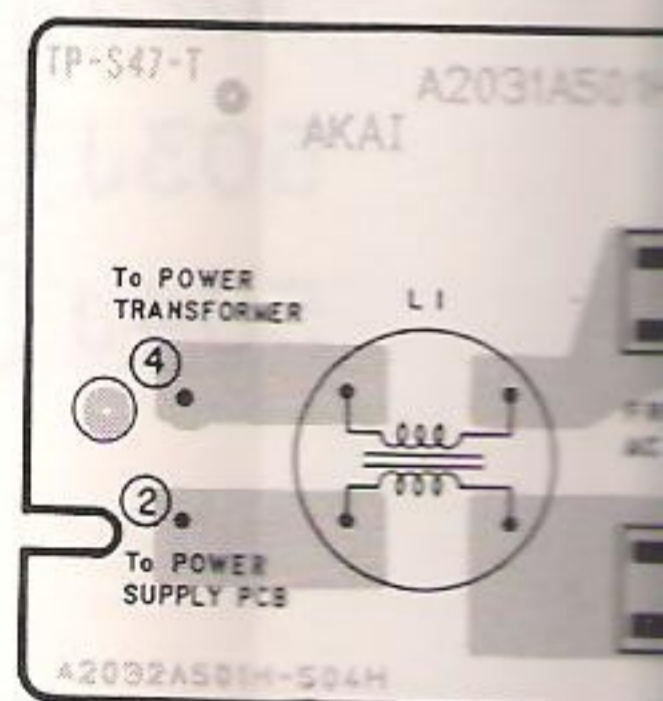
LOCATION OF COMPONENTS

IC s	TR s	TERMINALS
IC2 ---- D3	TR1 ---- B2	J1,2 ---- B3
IC3 ---- B1,C1	TR2 ---- B1	J3 ---- C3
IC4 ---- C2	TR3 ---- B2	A204,A205 ---- A2
IC5 ---- A1,A2	TR4 ---- C1	A206 ---- A1
	TR4b ---- B1	A207,A208 ---- A2
		A209 ---- B3
		A210 ---- C3
		A211 ---- E3
		① to ⑤ ---- D2

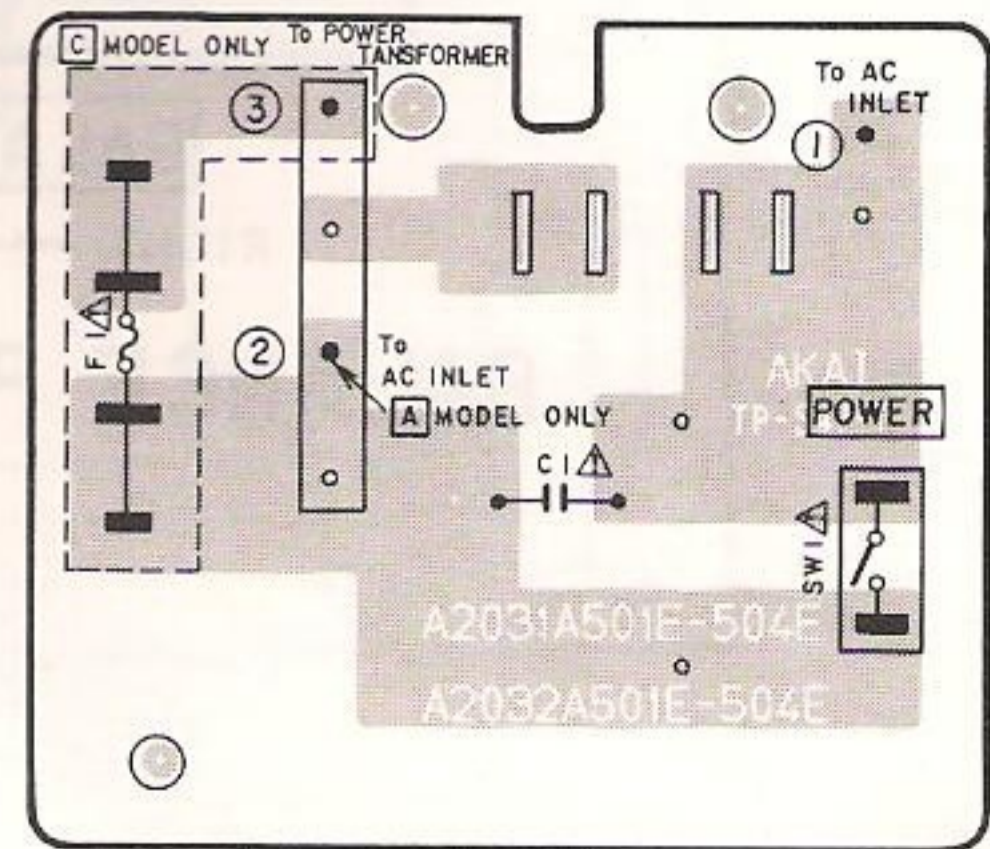
WARNING: Δ INDICATES SAFETY CRITICAL COMPONENTS. FOR CONTINUED SAFETY, REPLACE SAFETY CRITICAL COMPONENTS ONLY WITH MANUFACTURER'S RECOMMENDED PARTS.
 AVERTISSEMENT: Δ IL INDIQUE LES COMPOSANTS CRITIQUES DE SÉCURITÉ. POUR MAINTENIR LE DEGRÉ DE SÉCURITÉ DE L'APPAREIL, NE REMPLACER QUE DES PIÈCES RECOMMANDÉES PAR LE FABRICANT.



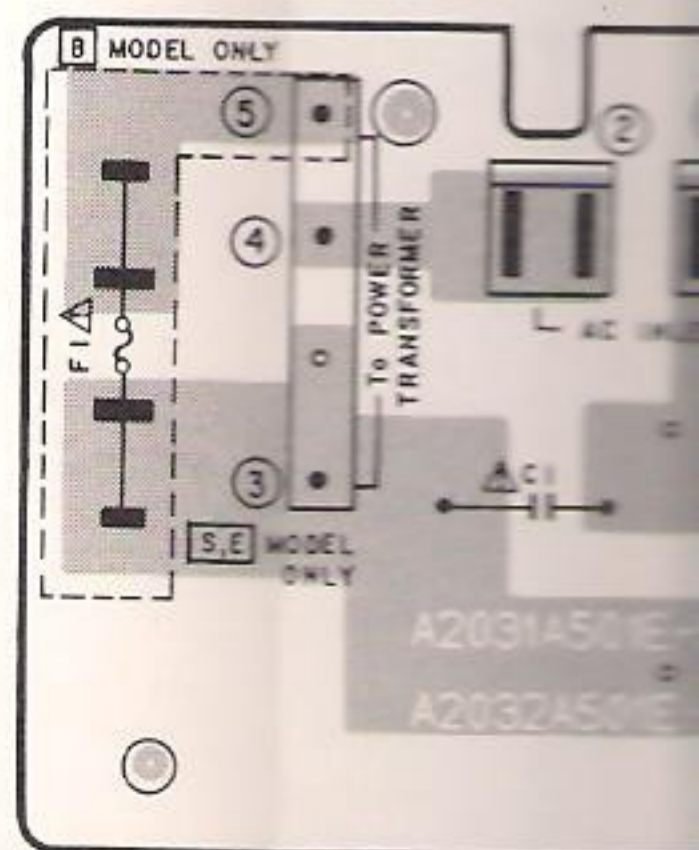
POWER SUPPLY PCB A2032A501E U



FILTER PCB A2032A501E

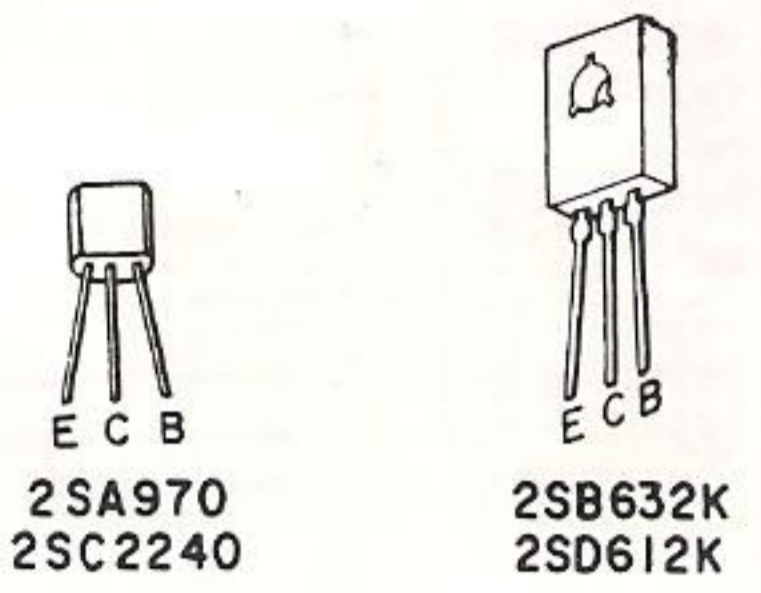
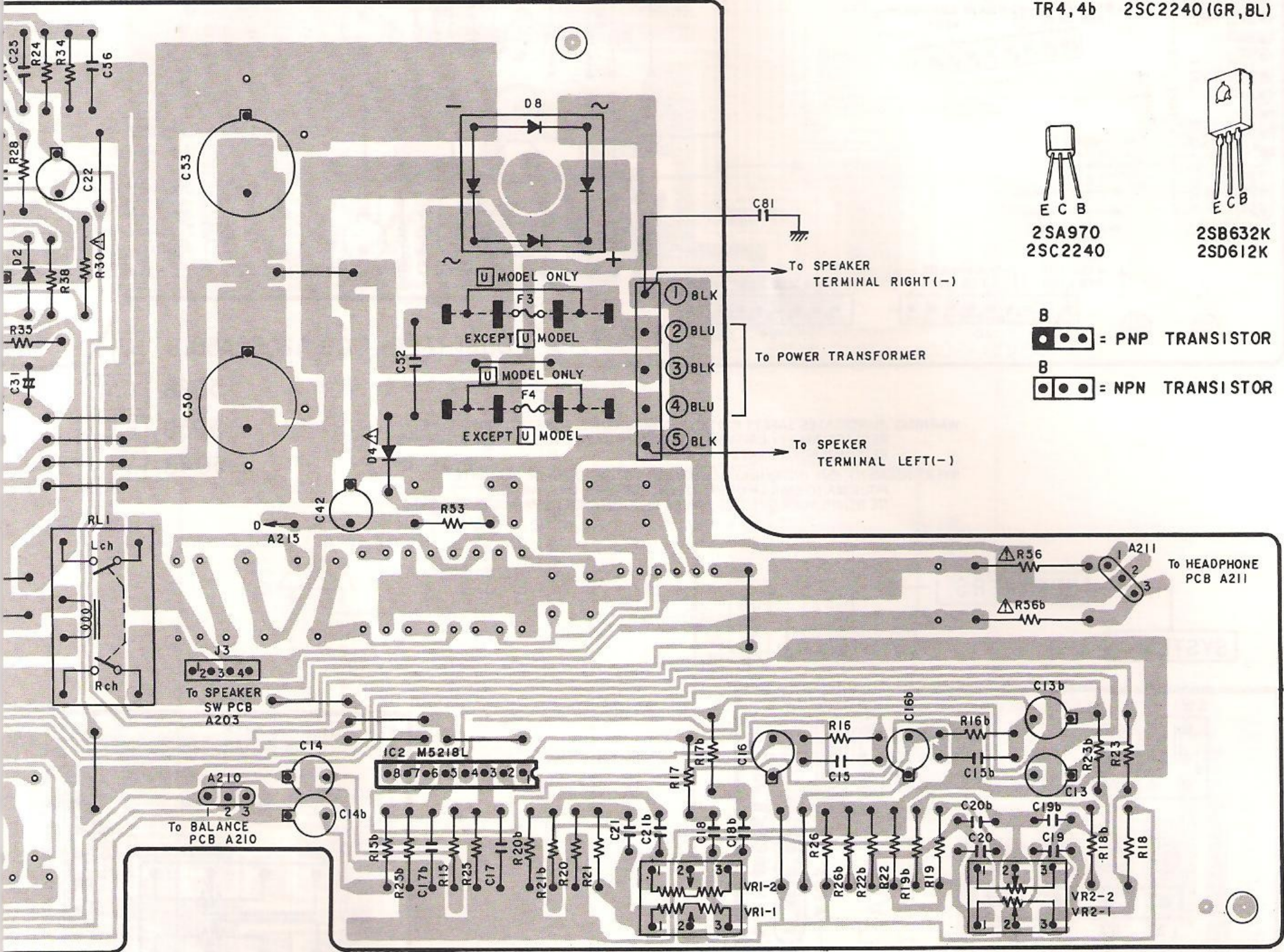


POWER SUPPLY PCB A2032A502E C,A



POWER SUPPLY PCB A2032A502E

- TR1 2SD612K (E,F)
- TR2 2SB632K (E,F)
- TR3 2SA970 (GR)
- TR4,4b 2SC2240 (GR,BL)



B = PNP TRANSISTOR
B = NPN TRANSISTOR

MAIN-AMP PCB A2032A501A U

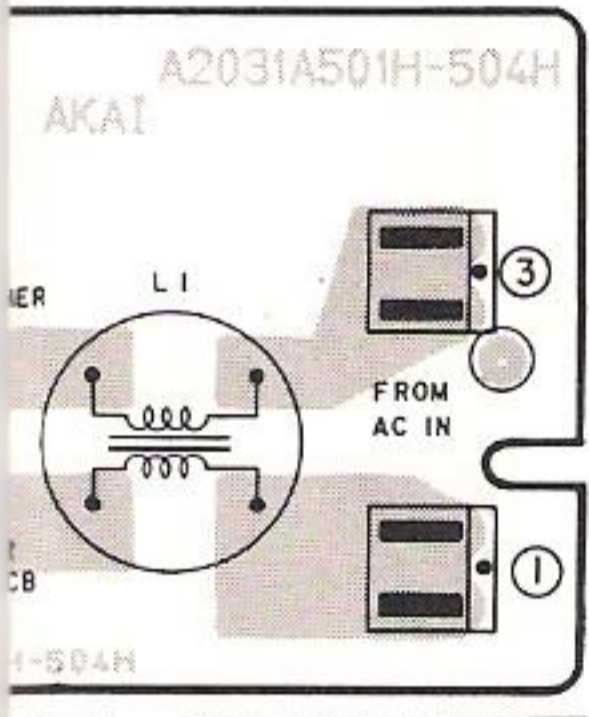
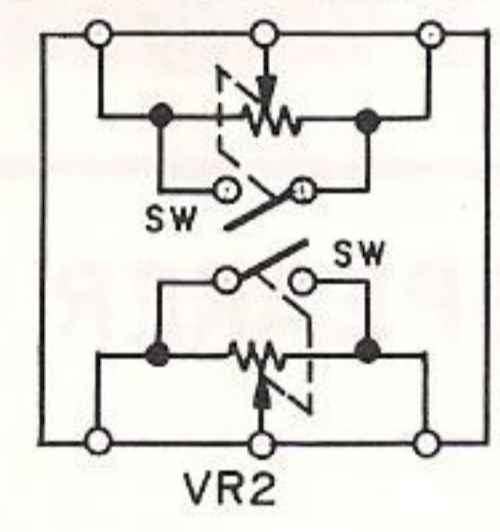
- 502A C,A
- 503A E,B,S
- 504A V

TREBLE

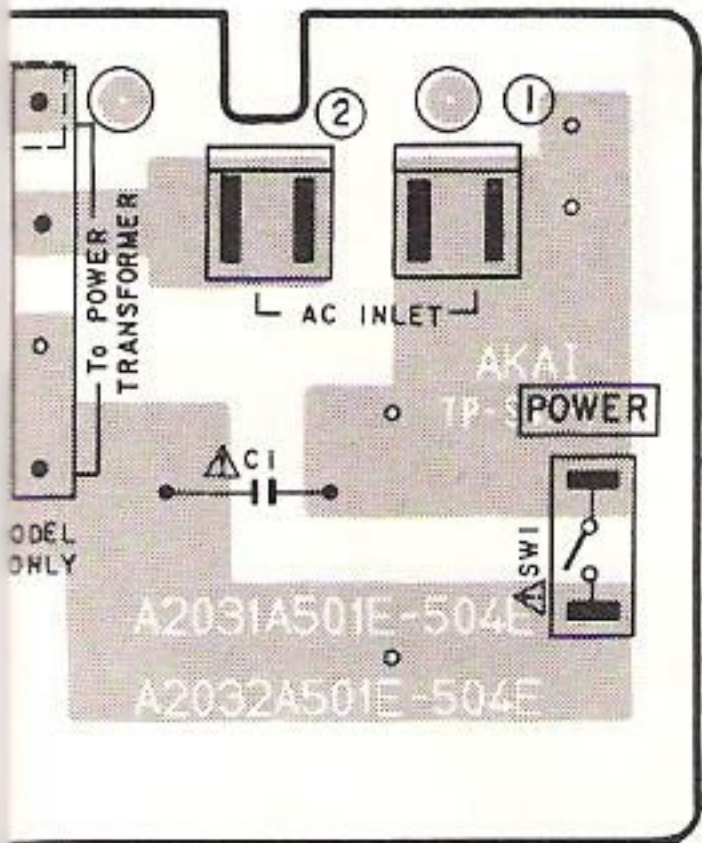
BASS

*1 Resistance between pins of VR1
 pin 1-2: ∞ (infinity) at center
 pin 2-3: ∞ (infinity) at center
 pin 1-3: always 100k ohms

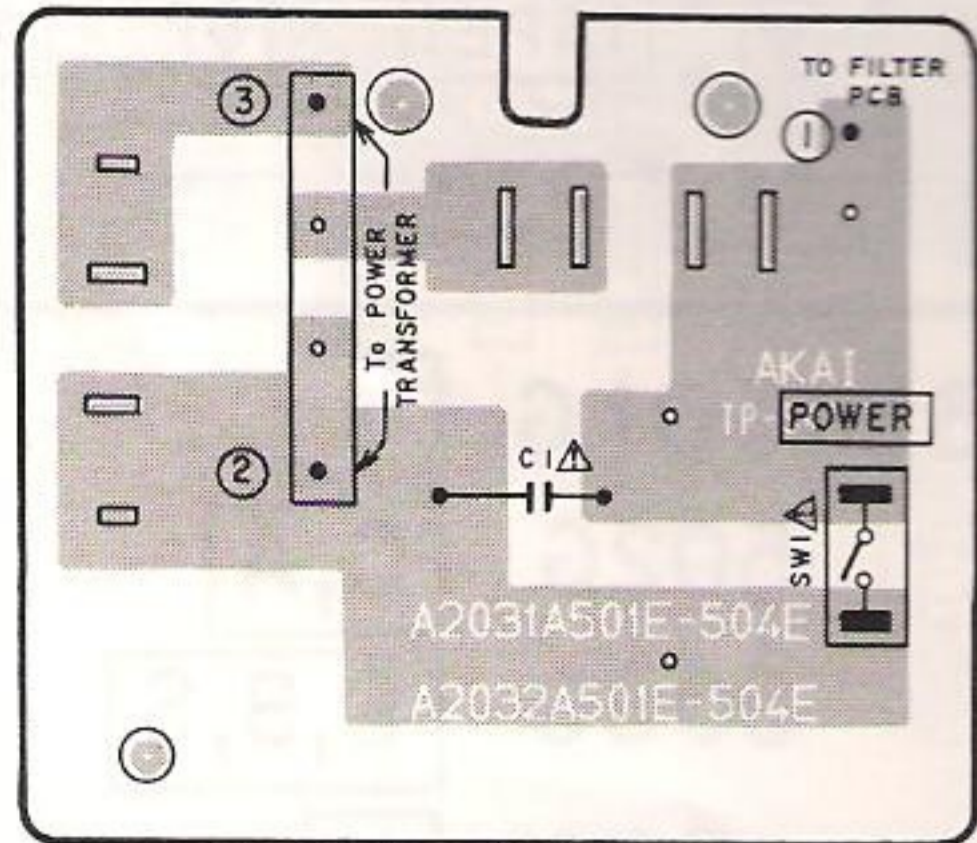
*2 SW is "ON" and the resistances between 1 to 2, 2 to 3 & 1 to 3 are within 30 ohms at volume center.



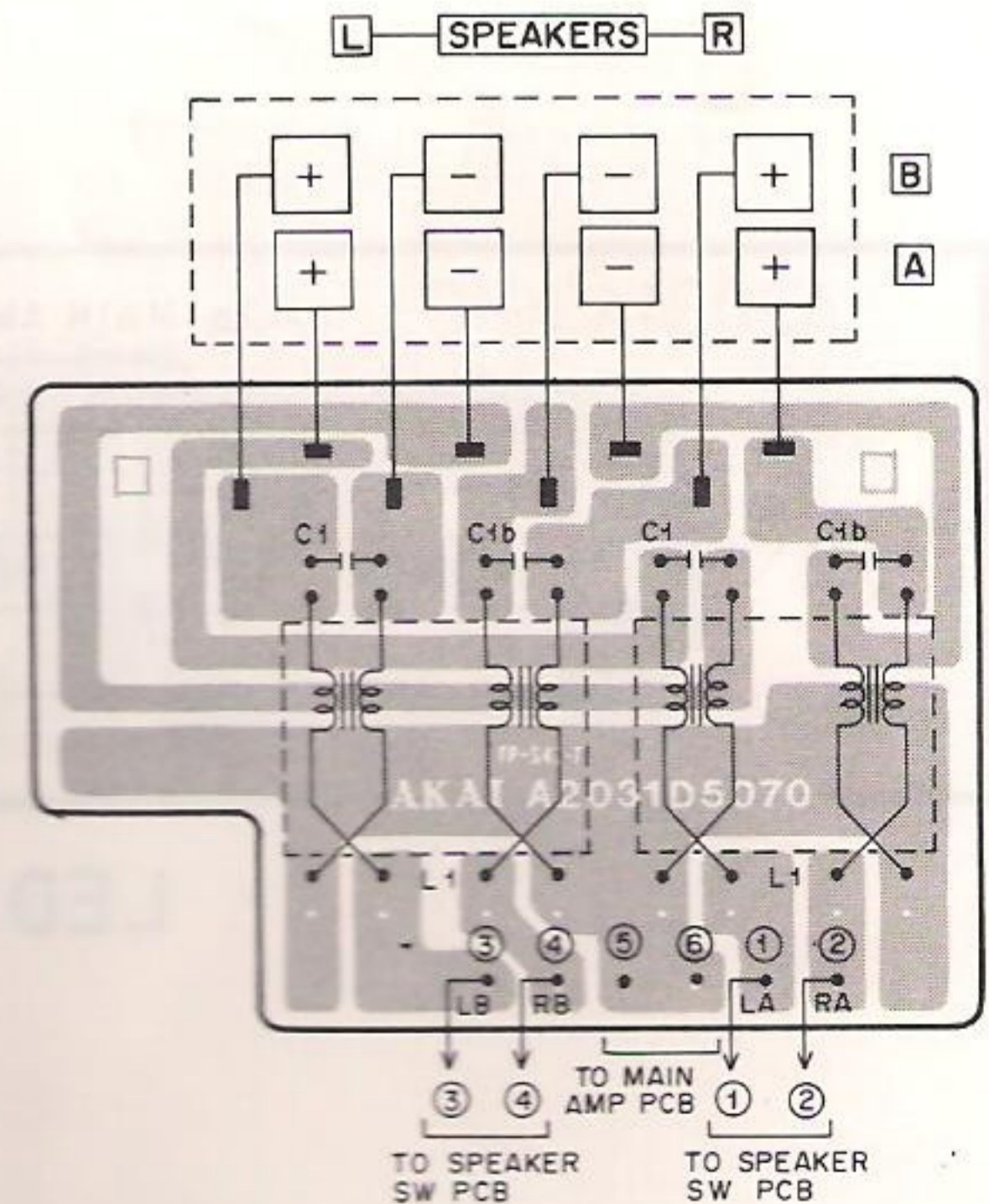
PCB A2032A504H V



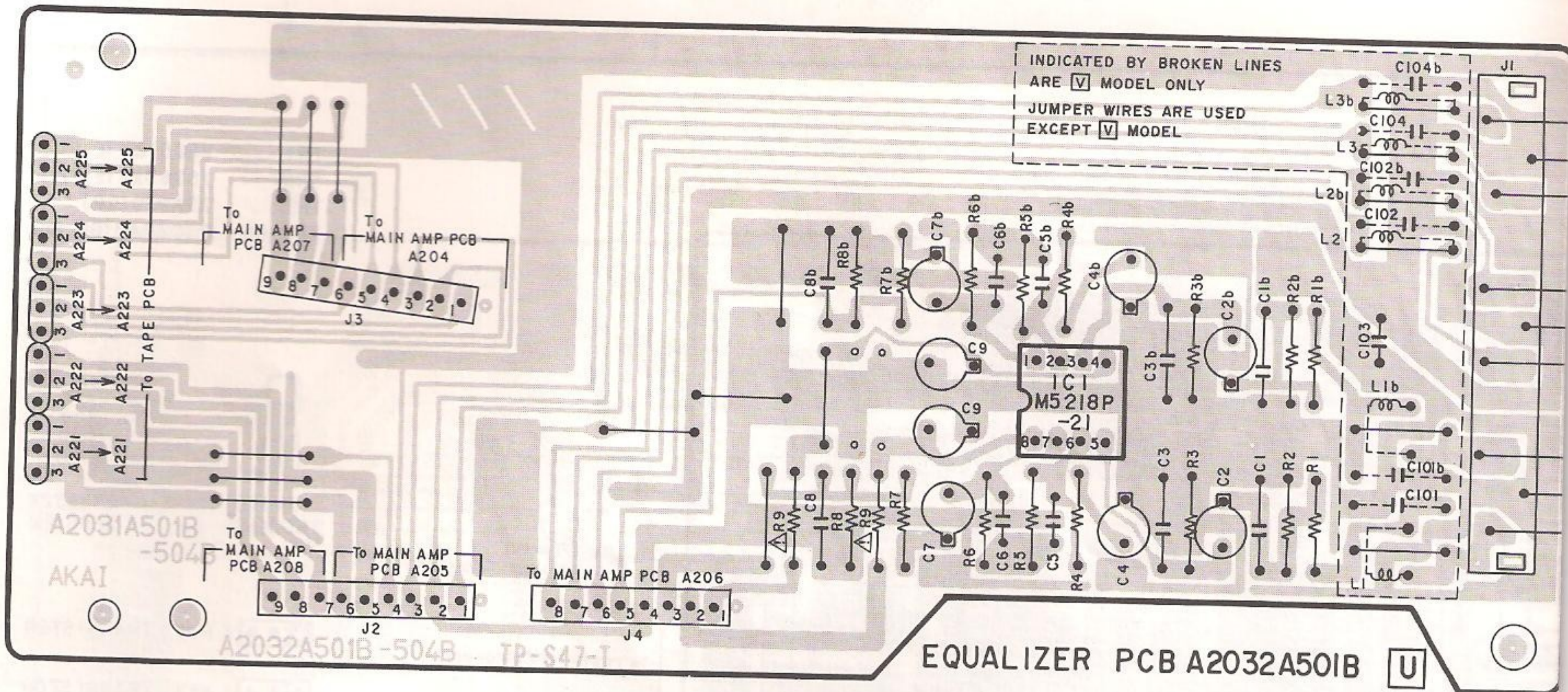
PPLY PCB A2032A503E E,B,S



POWER SUPPLY PCB A2032A504E V



SPEAKER TERMINAL PCB A2031D5070

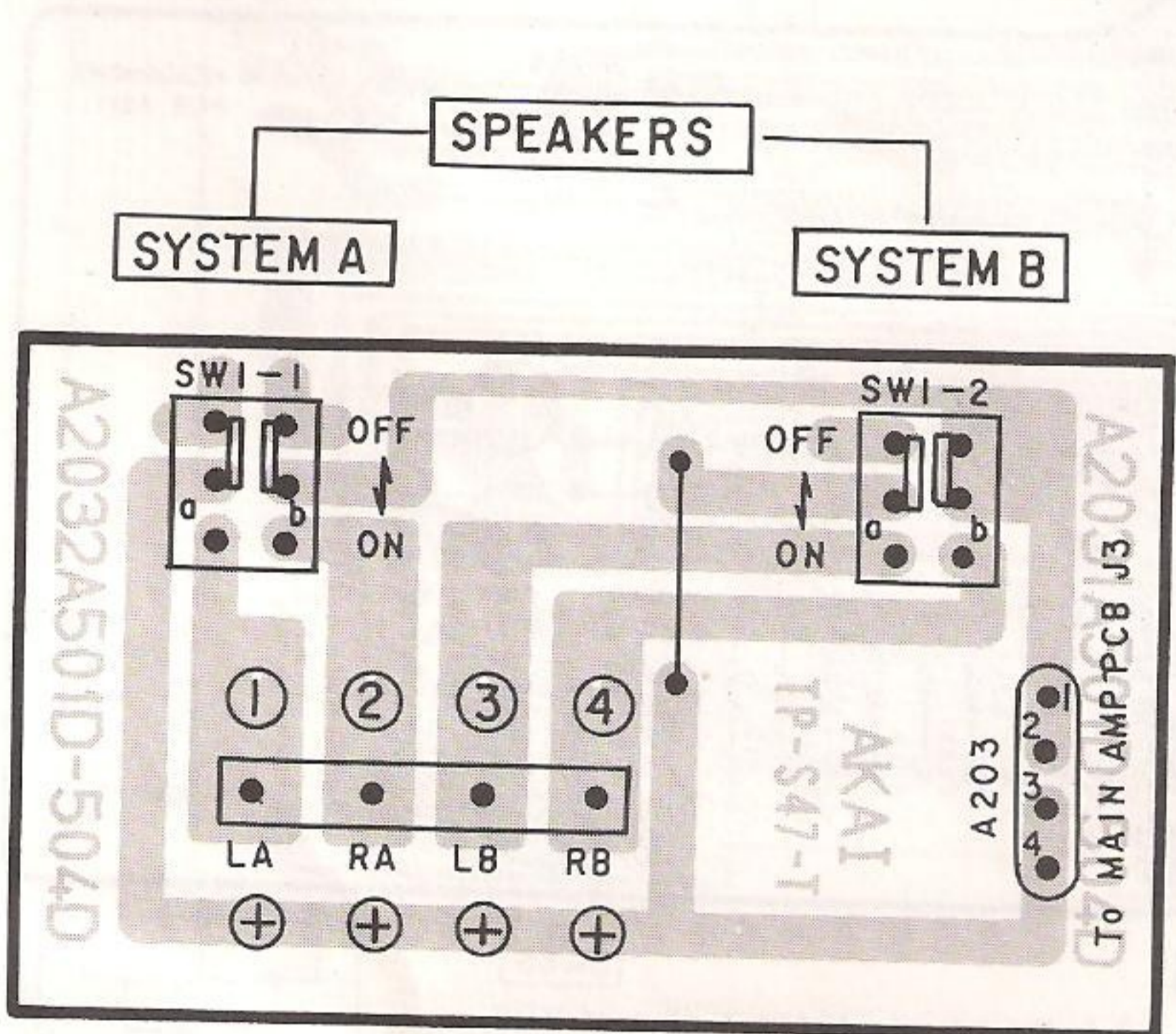


EQUALIZER PCB A2032A501B [U]

- 502B [C,A]
- 503B [E,B,S]
- 504B [V]

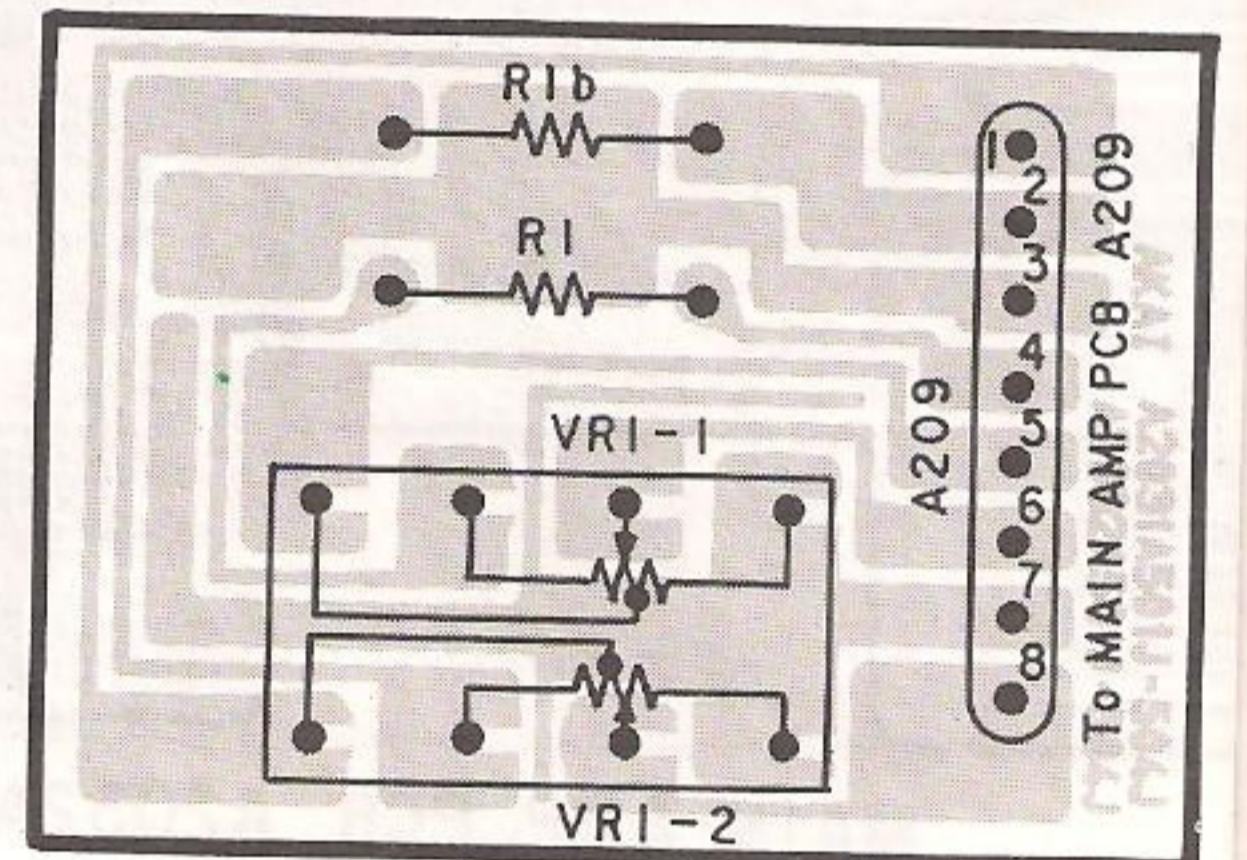
WARNING: Δ INDICATES SAFETY CRITICAL COMPONENTS FOR CONTINUED SAFETY, REPLACE SAFETY CRITICAL COMPONENTS ONLY WITH MANUFACTURER'S RECOMMENDED PARTS

AVERTISSEMENT: Δ IL INDIQUE LES COMPOSANTS CRITIQUES DE SÉCURITÉ. POUR MAINTENIR LE DEGRÉ DE SÉCURITÉ DE L'APPAREIL, NE REMPLACER QUE DES PIÈCES RECOMMANDÉES PAR LE FABRICANT



SPEAKER SW PCB A2032A501D [U]

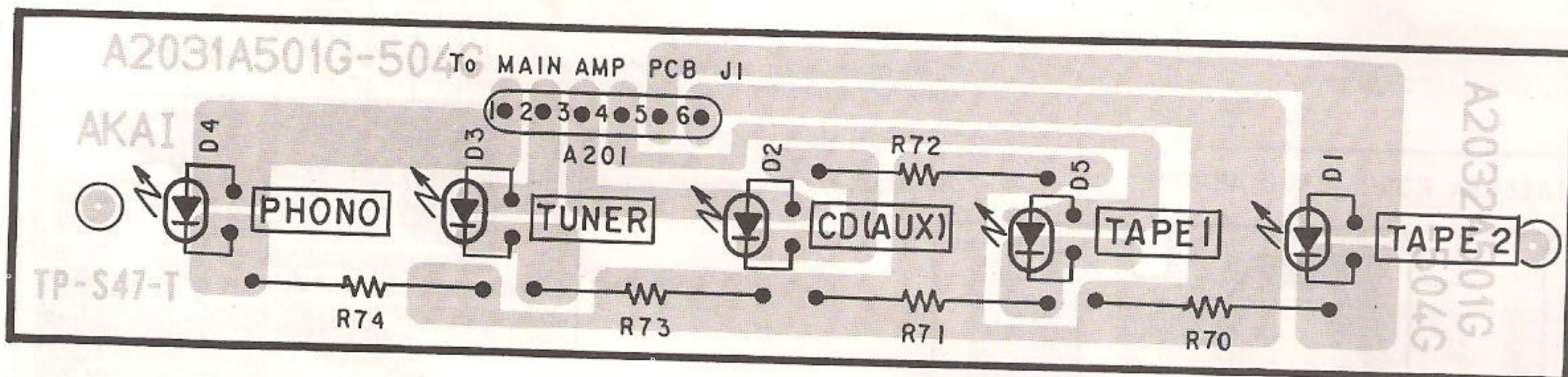
- 502D [C,A]
- 503D [E,B,S]
- 504D [V]



VOLUME

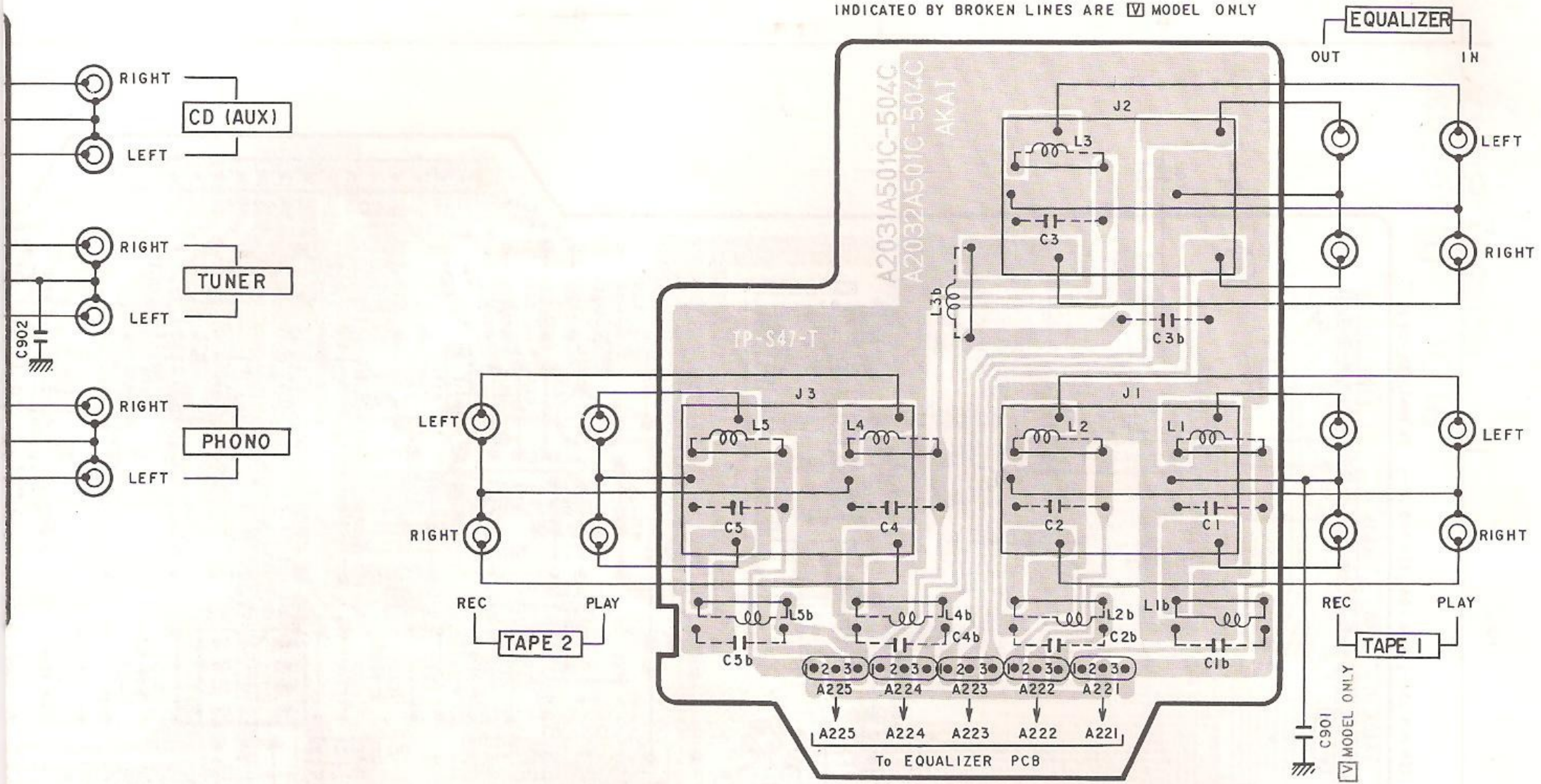
MAIN VR PCB A2032A501E [U]

- 5
- 5
- 5

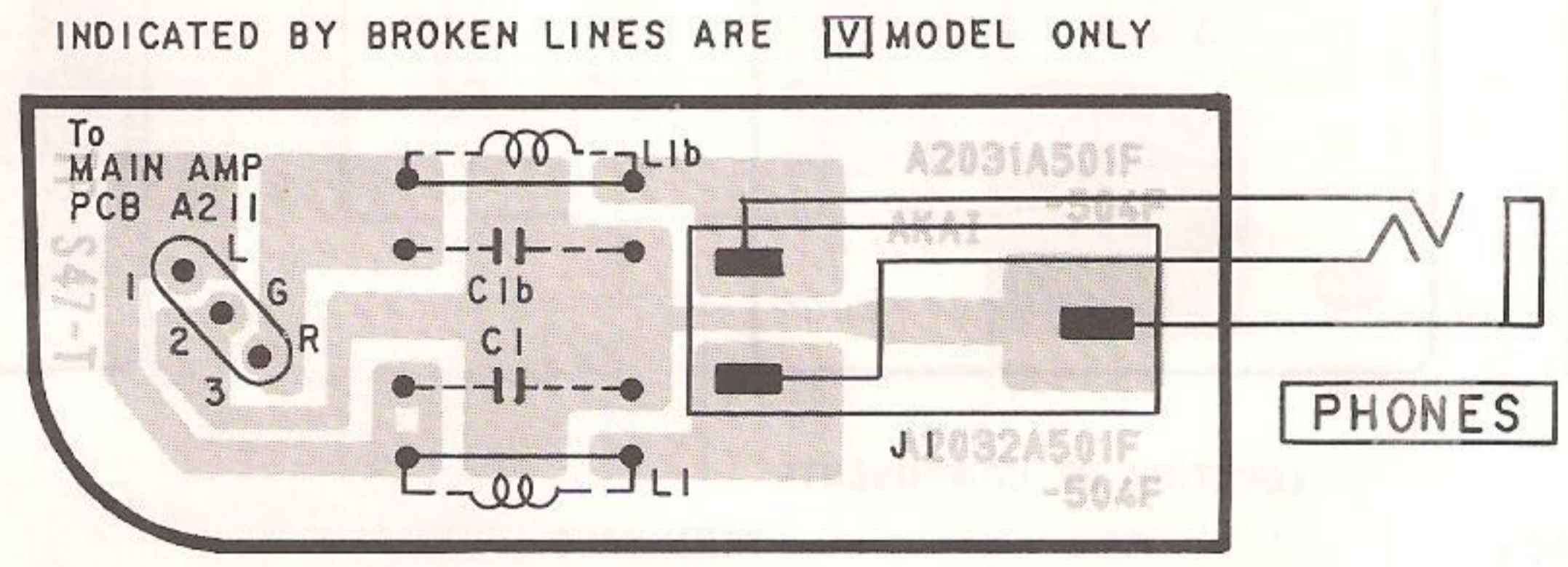


LED (I) PCB A2032A501G [U]

- 502G [C,A]
- 503G [E,B,S]
- 504D [V]

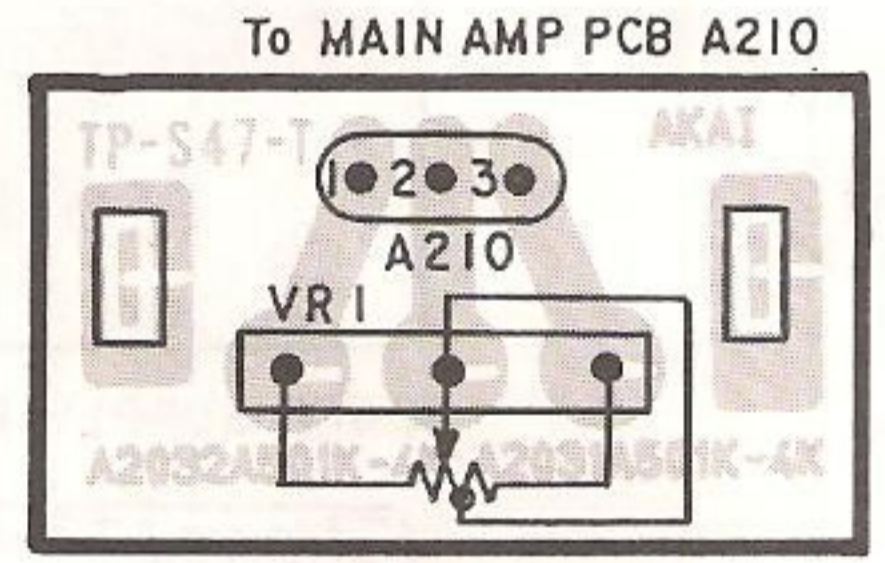


- TAPE PCB A2032A501C** [U]
 502C [C,A]
 503C [E,V,S]
 504C [V]

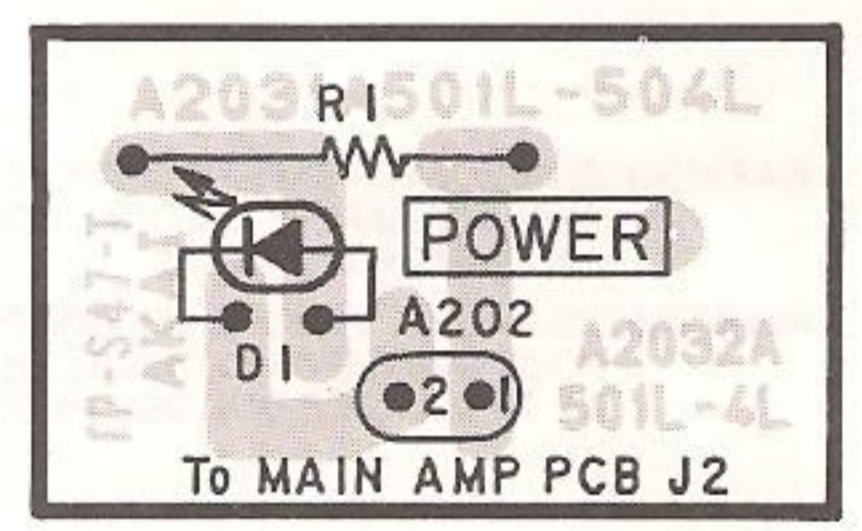


- HEADPHONE PCB A2032A501F** [U]
 502F [C,A]
 503F [E,B,S]
 504F [V]

- 01J [U]
 02J [C,A]
 03J [E,B,S]
 04J [V]



- BALANCE PCB A2032A501K** [U]
 502K [C,A]
 503K [E,B,S]
 504K [V]
- RIGHT ← LEFT



- LED(2) PCB A2032A501L** [U]
 502L [C,A]
 503L [E,B,S]
 504L [V]

I. SPECIFICATIONS

POWER AMPLIFIER SECTION

RATED POWER OUTPUT 20Hz to 20kHz	8 ohms 35W/0.05%	4 ohms 35W/0.05%
POWER OUTPUT (BY PTC) 20Hz to 20kHz 1kHz	8 ohms 38W/0.05% 42W/0.05%	4 ohms 40W/0.08% 43W/0.08%
MUSIC POWER (BOTH CHANNEL)	180W	
POWER BANDWIDTH (IHF -3dB, 8ohms)	5Hz to 50kHz (0.2%)	
S/N (IHF-A) PHONO CD (AUX)	72dB 95dB	
RESIDUAL NOISE (8ohms)	0.5mV	
CHANNEL SEPARATION (IHF, 1kHz)	55dB	
DAMPING FACTOR (1kHz, 8ohms)	40	
REQUIRED SPEAKER IMPEDANCE	A or B : 4 to 16 ohms A + B : 8 to 16 ohms	

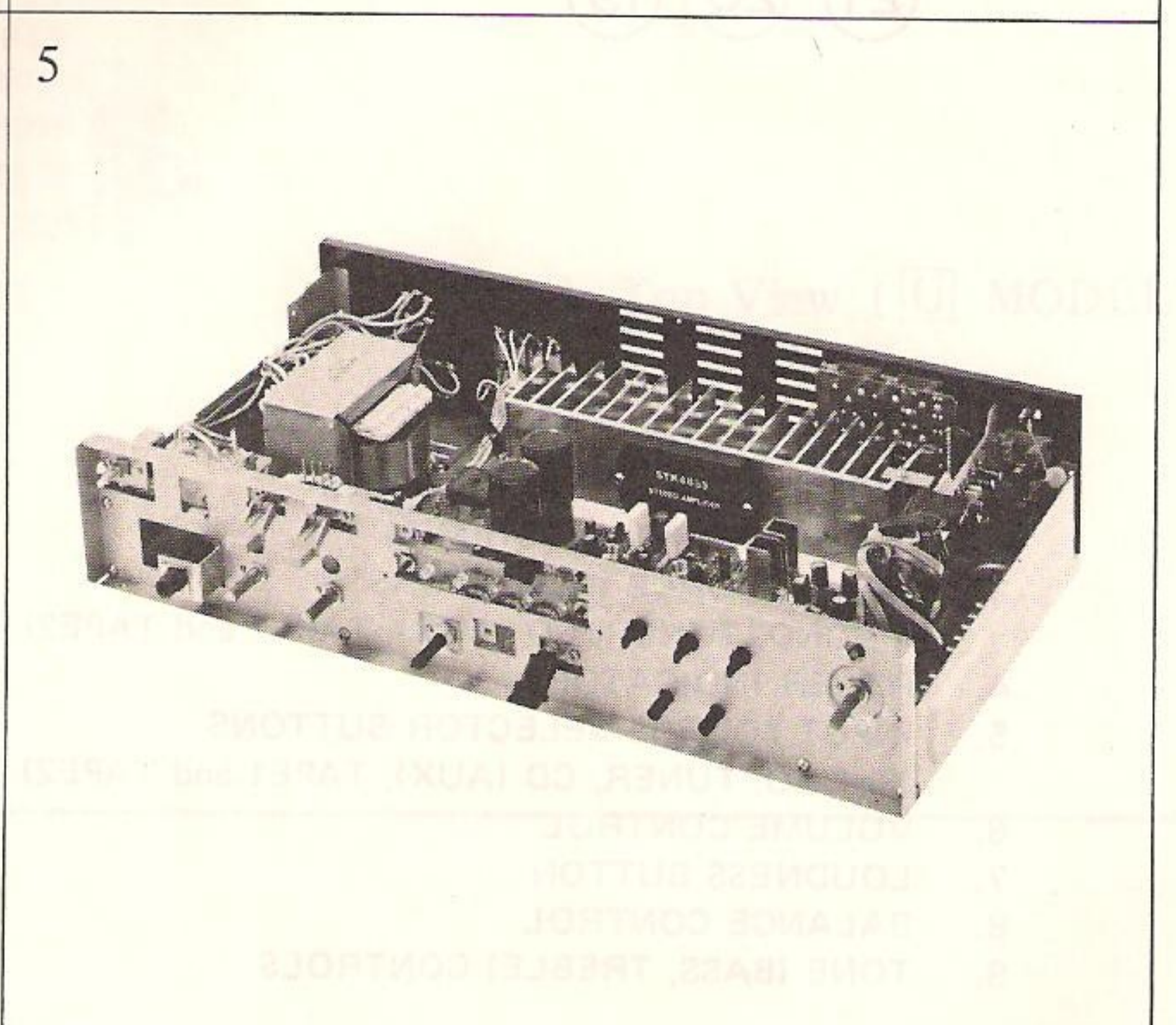
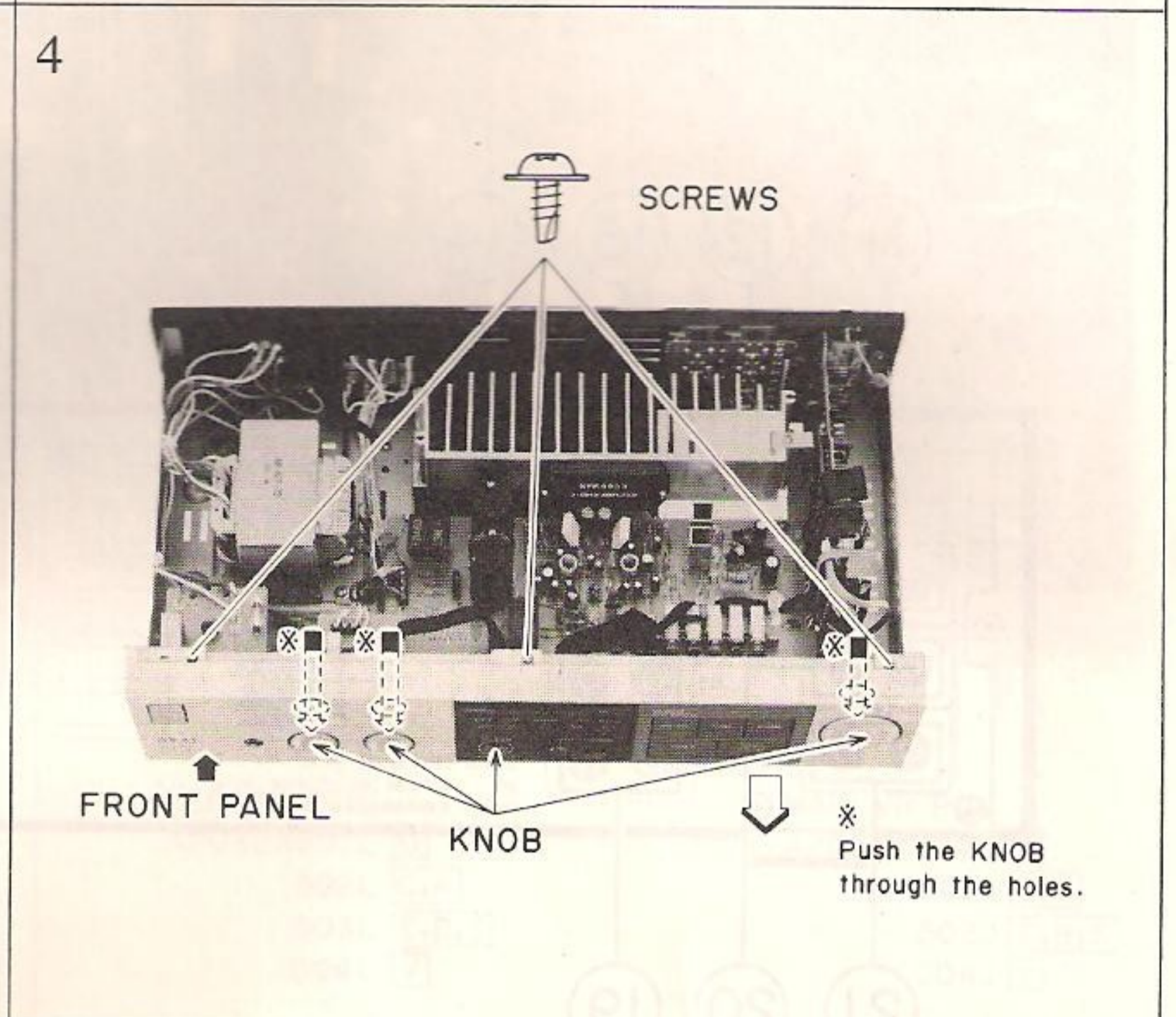
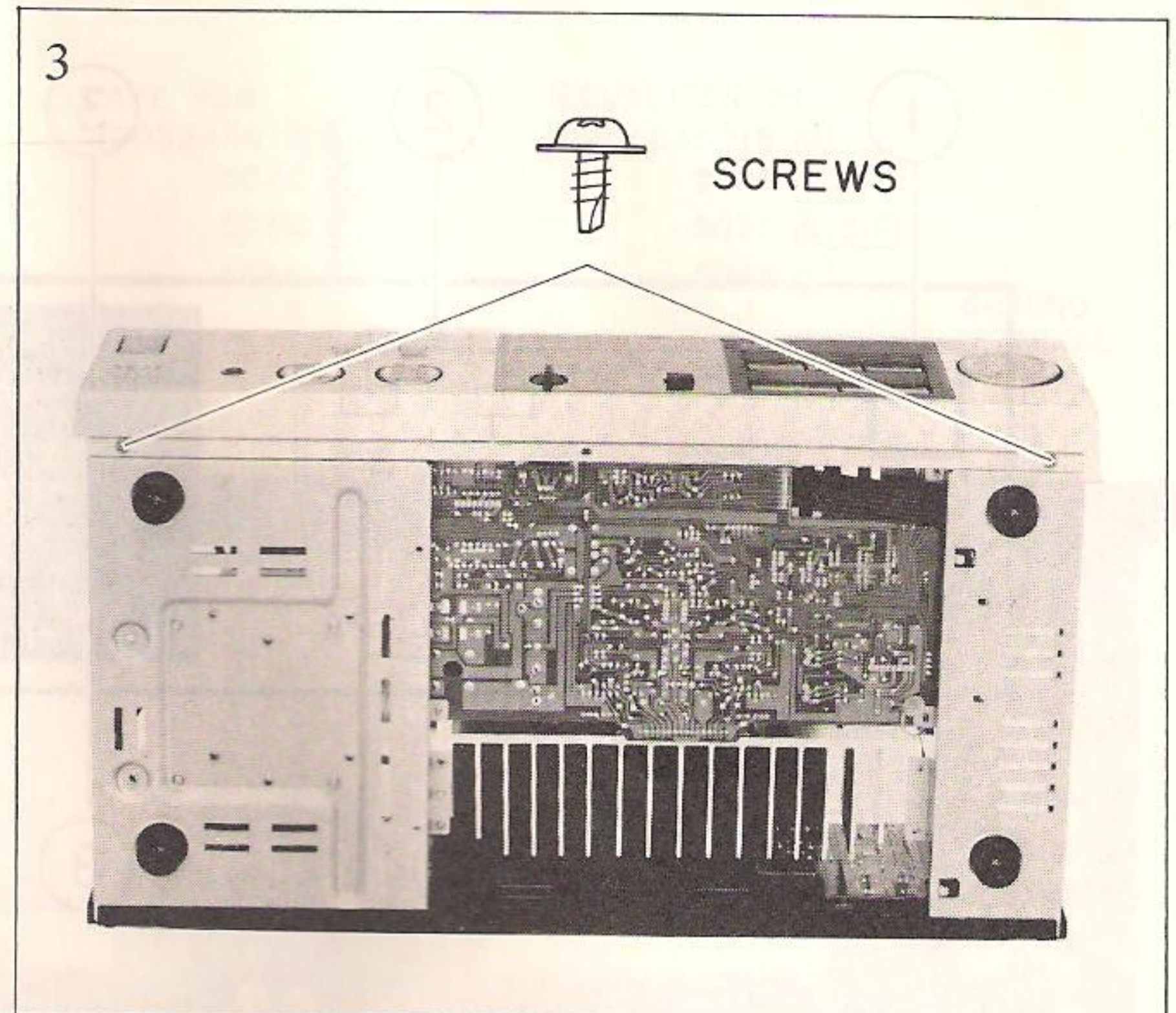
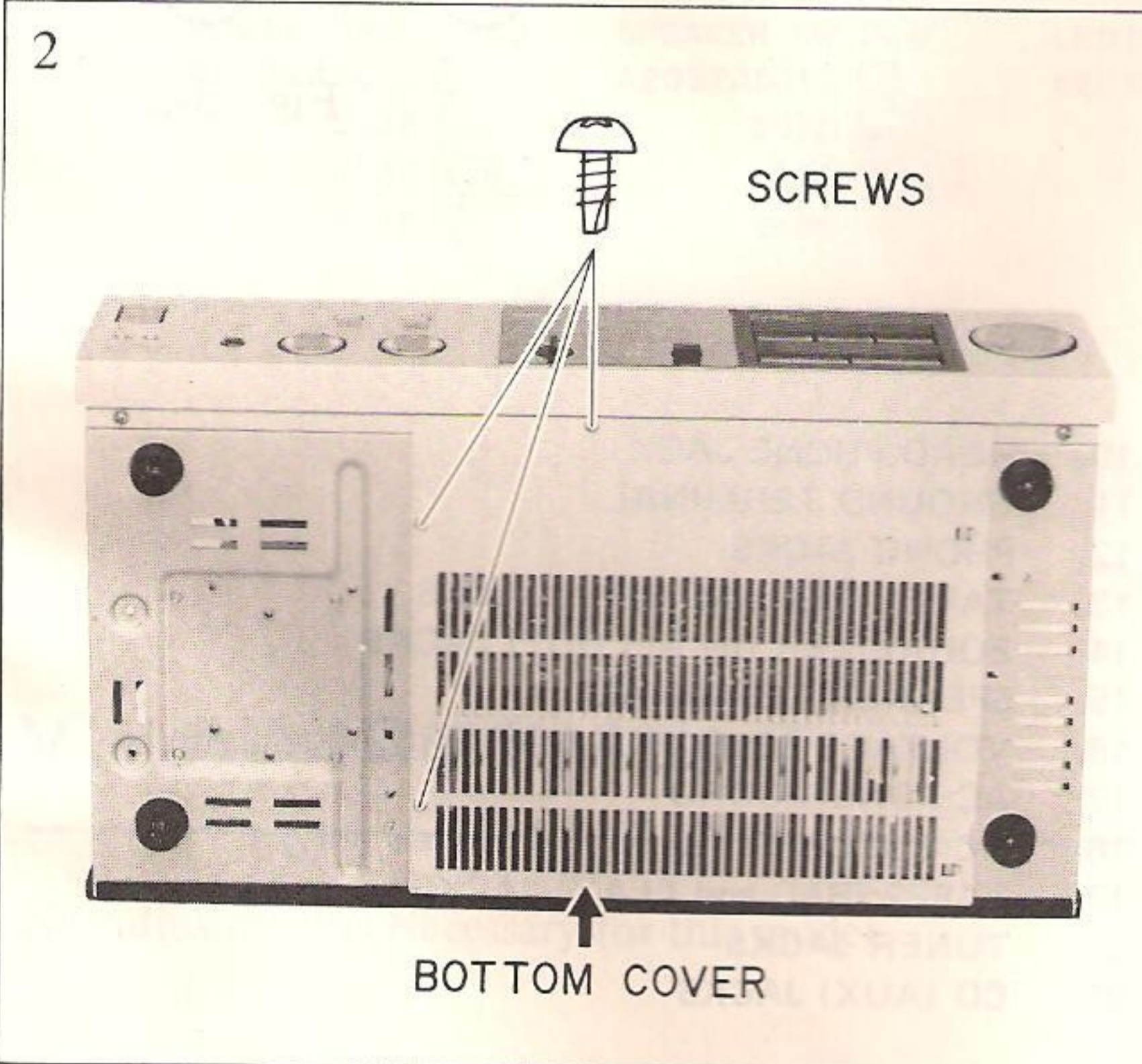
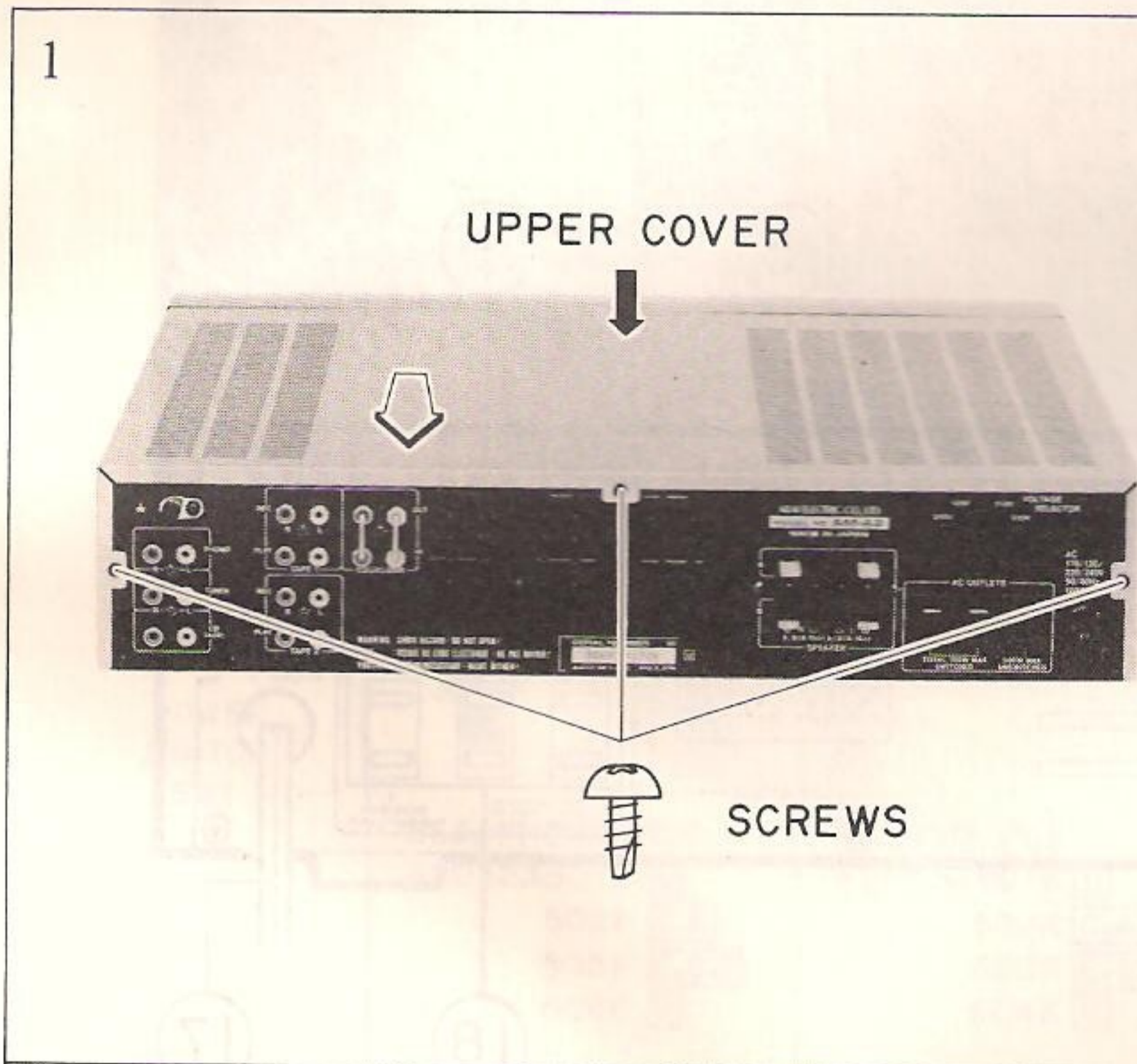
PRE AMPLIFIER SECTION

INPUT SENSITIVITY/IMPEDANCE PHONO CD (AUX) TAPE	2mV/47kohms 150mV/47kohms 150mV/47kohms
OUTPUT LEVEL/IMPEDANCE TAPE REC	150mV/1kohms
FREQUENCY RESPONSE PHONO (RIAA DEVIATION) CD (AUX)	±0.5dB 5Hz to 80kHz (-3dB)
TONE CONTROL BASS TREBLE	±8dB ±8dB
LOUDNESS CONTROL (VOLUME SET AT -30dB POSITION)	100Hz/+9dB 10kHz/+5dB
PHONO MAX. INPUT LEVEL	150mV
POWER REQUIREMENTS	120V, 60Hz for USA & Canada 220V, 50Hz for Europe except UK 240V, 50Hz for UK & Australia 110/120/220/240V, 50/60Hz switchable for other countries
DIMENSIONS	440 (W) × 98 (H) × 255 (D) mm (17.3 × 3.9 × 10 inches)
WEIGHT	5.45kg (11.99 lbs)

* For improvement purposes, specifications and design are subject to change without notice.

II. DISMANTLING OF UNIT

In case of trouble, etc. necessitating dismantling, please dismantle in the order shown in the photographs. Reassemble in reverse order.



III. CONTROLS

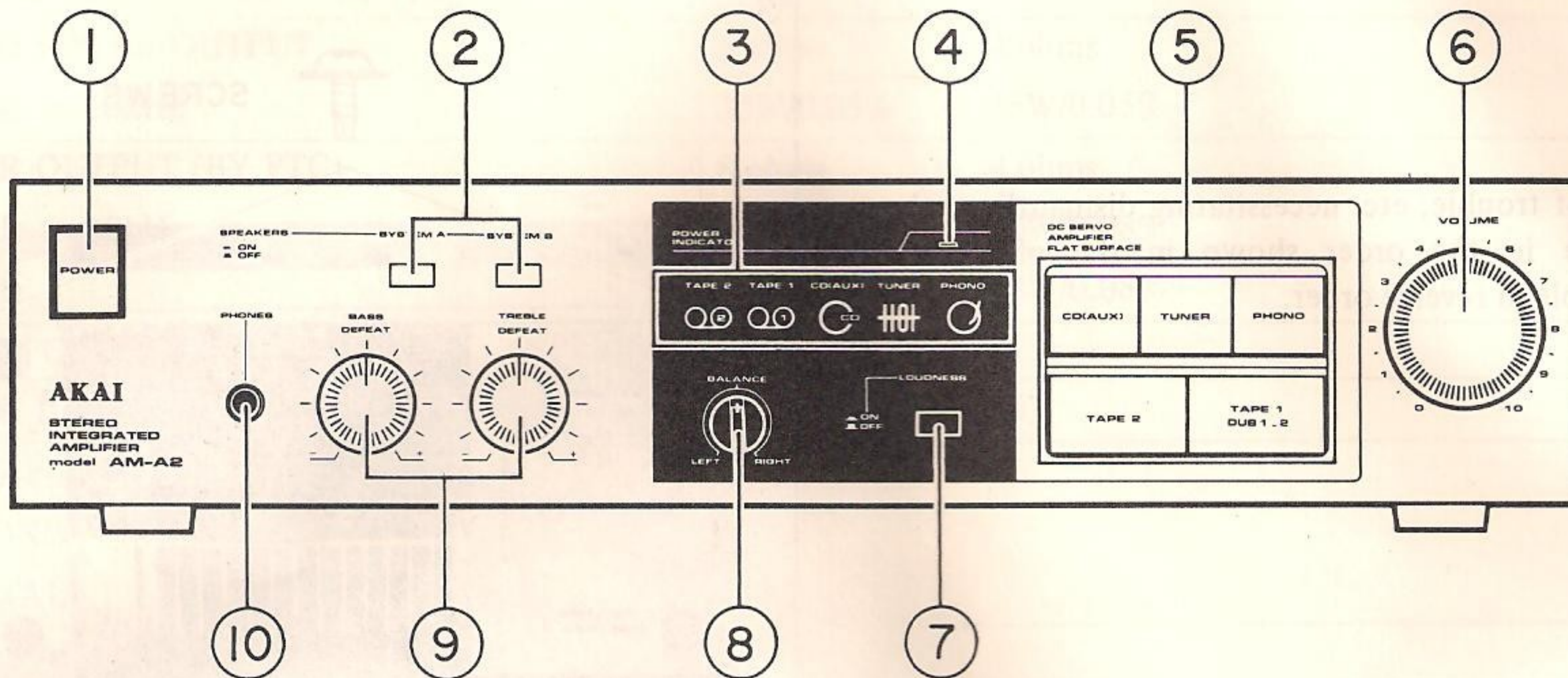


Fig. 3-1

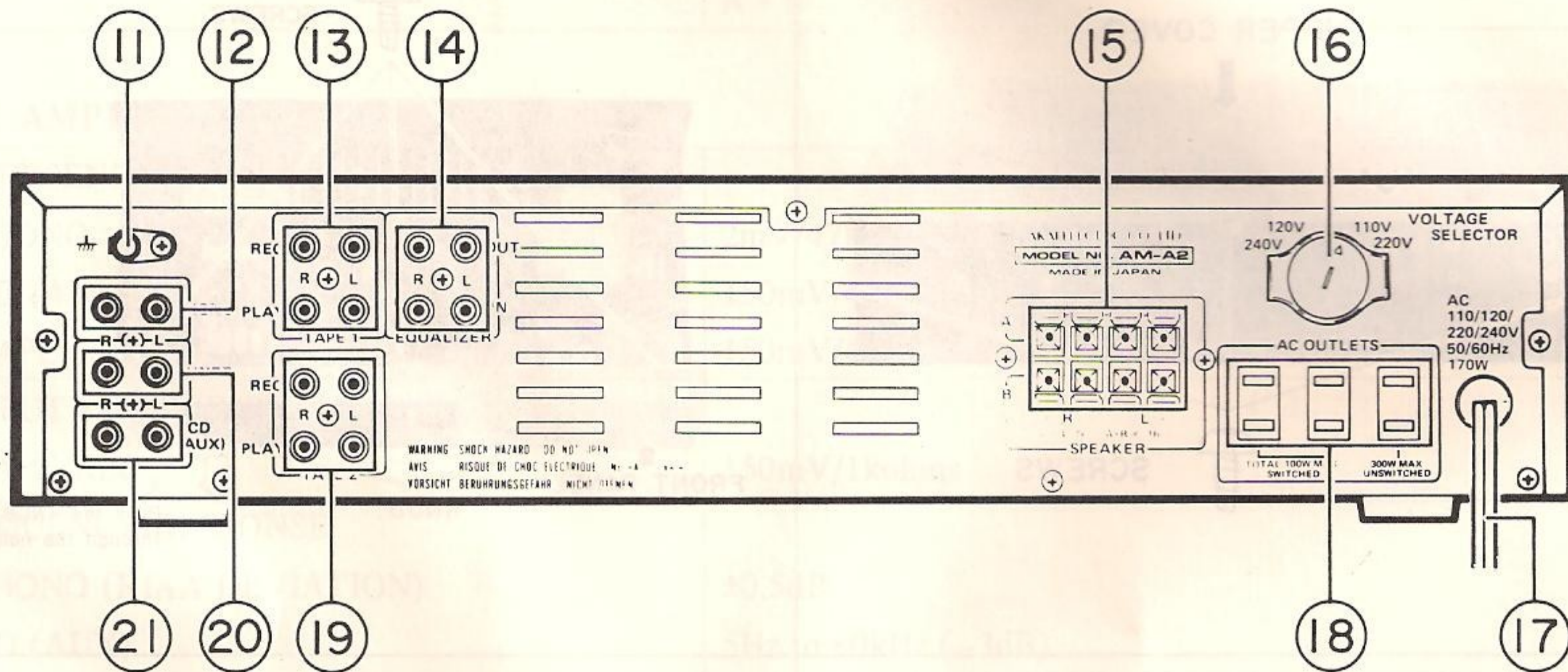


Fig. 3-2

- | | |
|--|--|
| <ol style="list-style-type: none"> 1. POWER SWITCH 2. SPEAKER SELECTOR BUTTONS (SYSTEM A AND SYSTEM B) 3. INPUT SOURCE INDICATORS (PHONO, TUNER, CD (AUX), TAPE1 and TAPE2) 4. POWER INDICATOR 5. INPUT SOURCE SELECTOR BUTTONS (PHONO, TUNER, CD (AUX), TAPE1 and TAPE2) 6. VOLUME CONTROL 7. LOUDNESS BUTTON 8. BALANCE CONTROL 9. TONE (BASS, TREBLE) CONTROLS | <ol style="list-style-type: none"> 10. HEAD PHONE JACK 11. GROUND TERMINAL 12. PHONO JACKS 13. TAPE1 (REC and PLAY) JACKS 14. EQUALIZER (IN and OUT) JACKS 15. SPEAKER TERMINALS 16. VOLTAGE SELECTOR SWITCH (□ model only) 17. AC POWER CORD 18. AC OUTLETS (□, □, □ models only) 19. TAPE2 (REC and PLAY) JACKS 20. TUNER JACKS 21. CD (AUX) JACKS |
|--|--|

IV. PRINCIPAL PARTS LOCATION

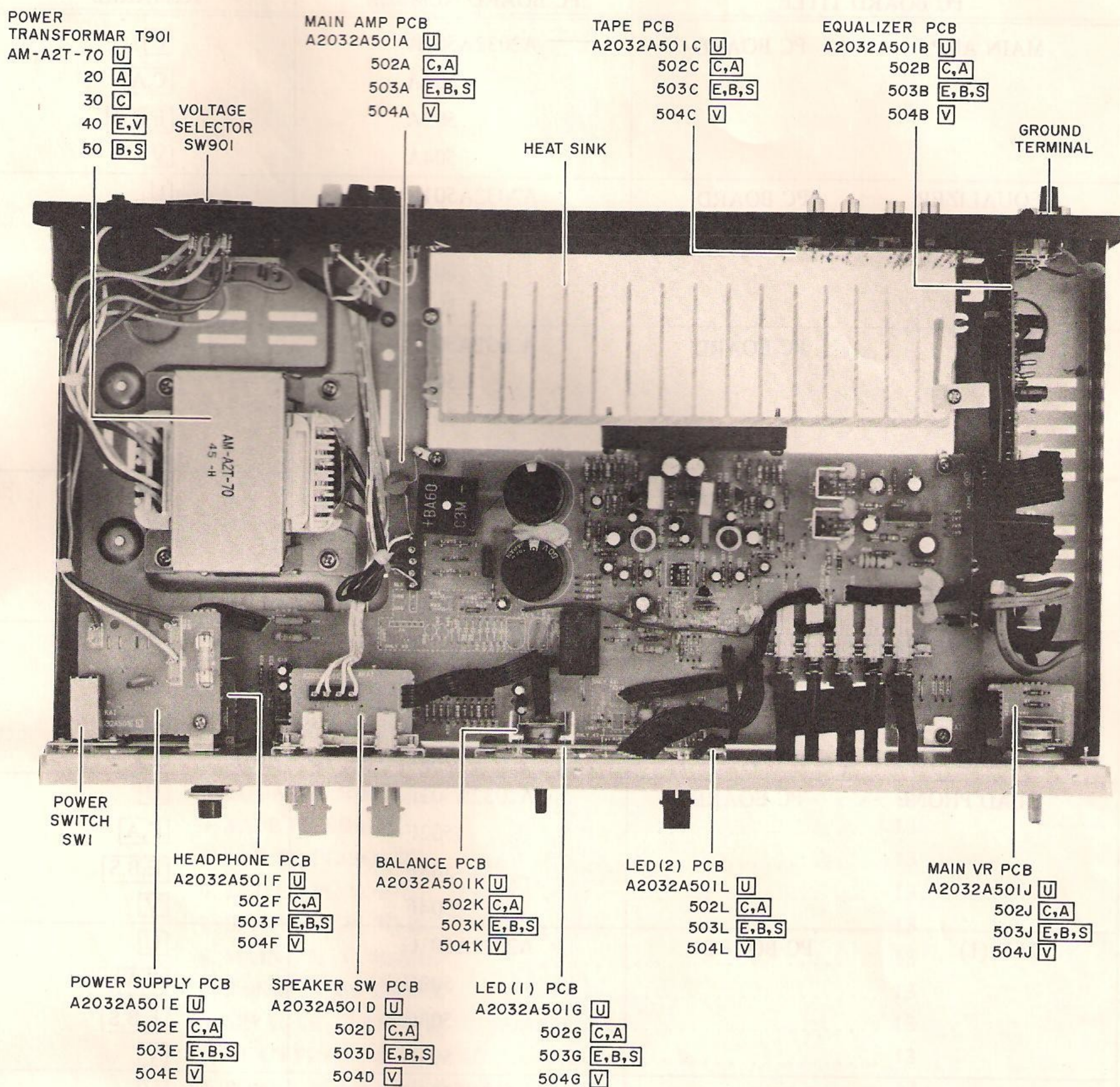


Fig. 4-1 Top View (U MODEL)

V. ADJUSTMENT

No Adjustment is Necessary for this model.

RECOMMENDED SPARE PARTS

Because, if the parts listed below are on hand, almost any repair can be accomplished, we suggest that you stock these Recommended Spare Parts Items.

REF. NO.	PARTS NO.	DESCRIPTION
1	BT-352423	△ TRANS POWER AM-A2T-20 (A)
2	BT-352422	△ TRANS POWER AM-A2T-30 (C)
3	BT-352424	△ TRANS POWER AM-A2T-40 (E,V)
4	BT-352425	△ TRANS POWER AM-A2T-50 (B,S)
5	BT-352421	△ TRANS POWER AM-A2T-70 (U) (U)
6	ED-349656	D LED AY5505S
7	ED-337391	D LED GL5NG6 GRN
8	ED-350748	D SILICON DBA60C-K15
9	ED-348990	D SILICON H DS446
10	ED-301911	D SILICON H DS448
11	ED-306320	D ZENER H HZ15 2
12	ED-324013	D ZENER H HZ20 2
13	EF-601964	△ FUSE SEMKO T 250V 1.60A (B)
14	EF-306957	△ FUSE TSC 125V 4.00A (C)
15	EF-326639	△ FUSE TSC A 250V 3.15A (U)
16	EF-346115	△ FUSE TSC 125V 6.30A (C,A)
17	EF-249851	FUSE SEMKO T 250V 5.00A (E,V,B,S)
18	EI-344490	IC LA6458D
19	EI-337228	IC M5218L0
20	EI-344764	IC M5218P-21
21	EI-352641	△ IC STK4853
22	EI-354080	IC UPC1237H
23	EQ-337159	RELAY POW G4Z-2282P 2N0 24V
24	ER-352672	△ R FUSE ERD2FC S10 1/4W 471J
25	ER-349423	△ R FUSE ERD2FC S10 1/4W 5600G
26	ER-200746	△ R FUSE ERD2FC 1/4W 1000G
27	ES-349070	△ SW SELECTOR YKS11-0002 02-4 (U) (SW901)
28	ES-352624	SW PUSH ESB-62838 2 THROW
29	ES-352632	SW PUSH ESB-62839 5-THROW
30	ES-352620	SW PUSH ESB-62922 02-2 S
31	ES-337902	SW PUSH SDDL1P 01-1
32	ET-305463	TR 2SA970 GR,BL
33	ET-322598	TR 2SB632 K E,F
34	ET-307195	TR 2SC2240 GR,BL
35	ET-310148	TR 2SD612 K E,F
36	EV-352622	VR ROTARY 16P10×1T W105
37	EV-352621	VR ROTARY 16P20× B104
38	EV-352645	VR ROTARY 16P20×3R C104 OPEN
39	EV-352646	VR ROTARY 16P20×3S C104 SHORT

SYMBOL FOR DESTINATION

- A : AAL (U.S.A)
- B : UK (England)
- C : CSA (Canada)
- E : CEE (Europe)
- S : SAA (Australia)
- U : U/T (Universal Area)
- V : VDE (West Germany)

1. PC BOARD BLOCK

REF. NO.	PARTS NO.	DESCRIPTION
	MAIN PC BOARD BLOCK	
1-1A	BA-A2032A020A	PC MAIN BLK AM-A2 (U)
1-1B	BA-A2032A020B	PC MAIN BLK AM-A2 (A)
1-1C	BA-A2032A020C	PC MAIN BLK AM-A2 (E,S)
1-1D	BA-A2032A020D	PC MAIN BLK AM-A2 (V)
1-1E	BA-A2032A020E	PC MAIN BLK AM-A2 (B)
1-1F	BA-A2032A020F	PC MAIN BLK AM-A2 (C)

NOTE: MAIN PC BOARD BLOCK consists of following PC BOARDS.

MAIN AMP PC BOARD
 EQUALIZER PC BOARD
 TAPE PC BOARD
 LED (1) PC BOARD
 LED (2) PC BOARD
 SPEAKER SW PC BOARD
 MAIN VR PC BOARD
 BALANCE PC BOARD
 HEAD PHONE PC BOARD
 POWER SUPPLY PC BOARD
 FILTER PC BOARD

2. MAIN AMP PC BOARD

REF. NO.	PARTS NO.	DESCRIPTION
2-IC2	EI-337228	IC M5218L0
2-IC3	EI-352641	△ IC STK4853
2-IC4	EI-344490	IC LA6458D
2-IC5	EI-354080	IC UPC1237H
2-TR1	ET-310148	△ TR 2SD612K E,F
2-TR2	ET-322598	△ TR 2SB632K E,F
2-TR3	ET-305463	TR 2SA970 GR,BL
2-TR4	ET-307195	TR 2SC2240 GR,BL
2-D1	ED-301911	D SILICON H DS448
2-D2	ED-348990	D SILICON H DS446
2-D3	ED-301911	D SILICON H DS448
2-D4	ED-348990	△ D SILICON H DS446
2-D6	ED-306320	△ D ZENER H HZ15 2
2-D7	ED-324013	△ D ZENER H HZ20 2
2-D8	ED-350748	△ D SILICON DBA60C-K15
2-SW1	ES-352620	SW PUSH ESB-62922 02-2 S
2-SW2	ES-352632	SW PUSH ESB-62839 5-THROW
2-VR1	EV-352645	VR ROTARY 16P20×3R C104 OPEN
2-VR2	EV-352646	VR ROTARY 16P20×3S C104 SHORT
2-RL1	EQ-337159	RELAY POW G4Z-2282P 2NO 24V
2-L1	EO-337878	COIL FIX 2 201AK-007 2R2K
2-FR1	ER-349423	△ R FUSE ERD2FC S10 1/4W 5600G
2-FR2	ER-352672	△ R FUSE ERD2FC S10 1/4W 471J
2-FR3	ER-200746	△ R FUSE ERD2FC 1/4W 1000G
2-R30	ER-333598	△ R CB H S15 FS RDS 1/2W 102J
2-R39	ER-352651	△ R OMF H S15 FS 1W 4R7J
2-R40	ER-337754	△ R OMF H S15 FS 1W 100J
2-R41	ER-345466	△ R CT F09 PLATE 5W R22K
2-R46	ER-303690	△ R OMF H FS 2W 681J
2-R51	ER-306128	△ R CB H S15 FS RDS 1/2W 103J
2-R56	ER-352671	△ R OMF H S15 FS 1W 221J
2-R60	ER-328082	△ R CB H S10 FS RDS 1/4W 332J
2-R61	ER-323074	△ R CB H S10 FS RDS 1/4W 102J
2-R62	ER-302241	△ R CB H S10 FS RDS 1/4W 4R7J
2-R63	ER-326838	△ R CB H S10 FS RDS 1/4W 272J
2-R64	ER-323074	△ R CB H S10 FS RDS 1/4W 102J
2-R65	ER-302241	△ R CB H S10 FS RDS 1/4W 4R7J
2-C31	EC-343855	C EC V F05 NP SM R22M 50.0DC
2-C32	EC-325320	C EC V F05 NP AWA 2R2M 50DC
2-C33	EC-325320	C EC V F05 NP AWA 2R2M 50DC
2-C52	EC-326583	C MMY V CUT CF921 473K 400DC
2-F3A	EF-346115	△ FUSE TSC 125V 6.30A (C,A)
2-F3B	EF-249851	△ FUSE SEMKO T 250V, 5.00A (E,V,B,S)
2-F4A	EF-346115	△ FUSE TSC 125V 6.30A (C,A)
2-F4B	EF-249851	△ FUSE SEMKO T 250V 5.00A (E,V,B,S)

3. EQUALIZER PC BOARD

REF. NO.	PARTS NO.	DESCRIPTION
3-IC1	EI-344764	IC M5218P-21
3-L1	EO-338420	COIL FIX 2 FL12R202E 202K (V)
3-L2,3	EO-345907	COIL FIX 1 LAL03KH 3R3K (V)
3-R9	ER-200939	R CB H S10 FS RDS 1/4W 181J
3-J1	EJ-344370	PIN J YKC21-0081 P 6P

4. TAPE PC BOARD

REF. NO.	PARTS NO.	DESCRIPTION
4-L1 to 5	EO-336934	COIL FIX 1 LAL03KH 2R2M (V)
4-J1 to 3	EJ-343365	PIN J YMC21-0063 P 4P

5. LED (1) PC BOARD

REF. NO.	PARTS NO.	DESCRIPTION
5-D1	ED-349656	D LED AY5505S
5-D2 to 4	ED-337391	D LED GL5NG6 GRN
5-D5	ED-349656	D LED AY5505S
5-R70 to 74	ER-617940	R CB H RD 1/2W 122J

6. LED (2) PC BOARD

REF. NO.	PARTS NO.	DESCRIPTION
6-D1	ED-349656	D LED AY5505S
6-R1	ER-565334	R CB H RD 1/2W 132J

7. SPEAKER SW PC BOARD

REF. NO.	PARTS NO.	DESCRIPTION
7-SW1	ES-352624	SW PUSH ESB-62838 2 THROW

8. MAIN VR PC BOARD

REF. NO.	PARTS NO.	DESCRIPTION
8-VR1	EV-352621	VR ROTARY 16P20X B104

9. BALANCE PC BOARD

REF. NO.	PARTS NO.	DESCRIPTION
9-VR1	EV-352622	VR ROTARY 16P10x1T-W105

10. SPEAKER TERMINAL PC BOARD

REF. NO.	PARTS NO.	DESCRIPTION
10-L1	EO-342936	COIL BALUN (V)
10-TM902	EJ-349401	TERMINAL LEVER YKD21-0027 8 P (V)

11. HEAD PHONE PC BOARD

REF. NO.	PARTS NO.	DESCRIPTION
11-L1	EO-336934	COIL FIX 1 LAL03KH 2R2M (V)
11-J1A	EJ-343380	PHONE J 3P HLJ0541-040 6.3 (EXCEPT BL)
11-J1B	EJ-355012	PHONE J 3P HLJ0541-010 6.3 (BL)

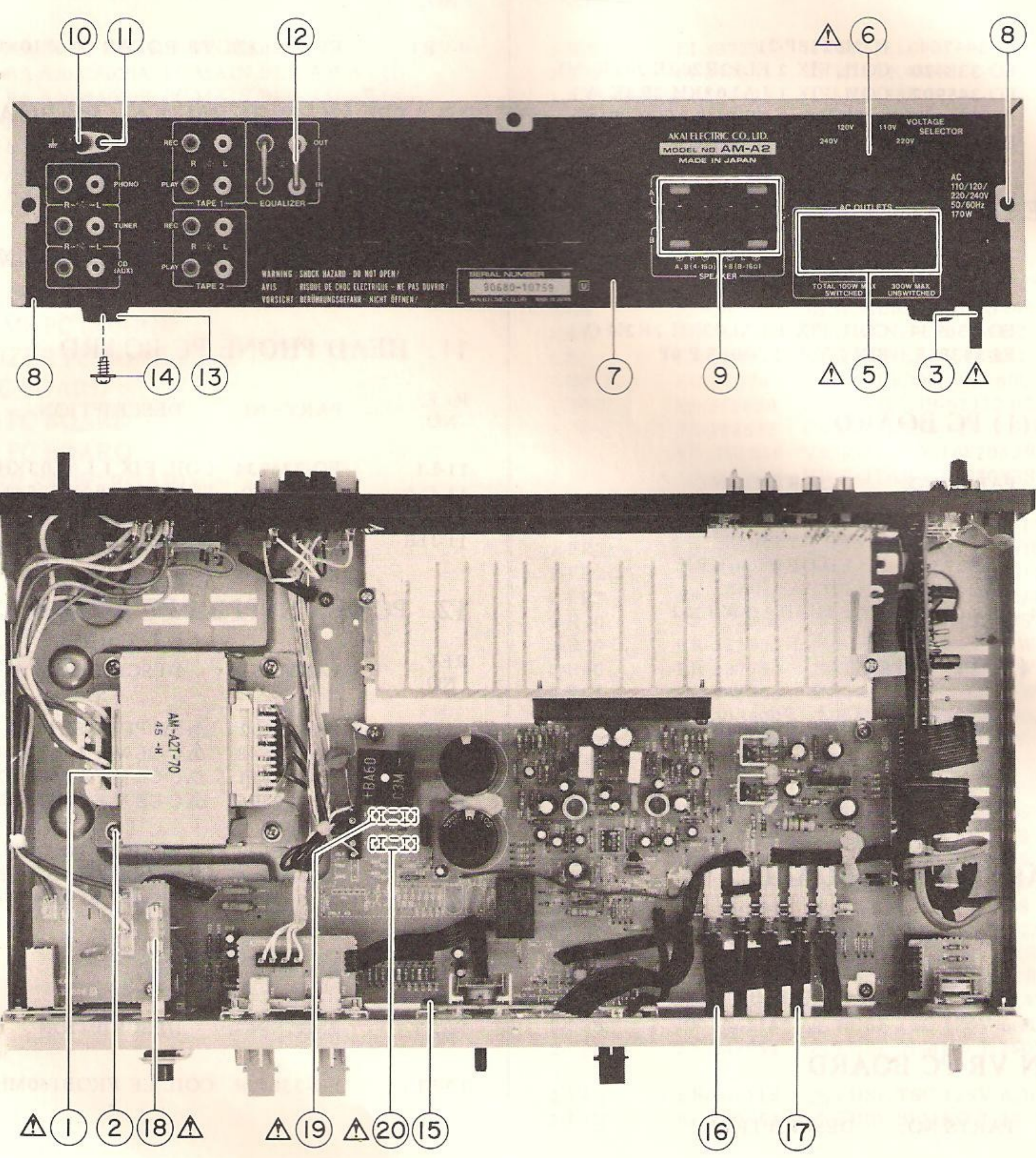
12. POWER SUPPLY PC BOARD

REF. NO.	PARTS NO.	DESCRIPTION
12-SW1	ES-337902	△ SW PUSH SDDL1P 01-1
12-C1A	EC-320548	△ C CE V F 103Z 250AC (U)
12-C1B	EC-338411	△ C CE V FZ 103P 400AC (C,A)
12-C1C	EC-338496	△ C CE V FZ 472P 400AC (E,V,B,S)
12-F1A	EF-326639	△ FUSE TSC A 250V 3.15A (U)
12-F1B	EF-601964	△ FUSE SEMKO T 250V 1.60A (B)
12-F1C	EF-306957	△ FUSE TSC 125V 4.00A (C)

13. FILTER PC BOARD

REF. NO.	PARTS NO.	DESCRIPTION
13-FL1	EO-338409	COIL LF FKOB160MH02 250UH (V)

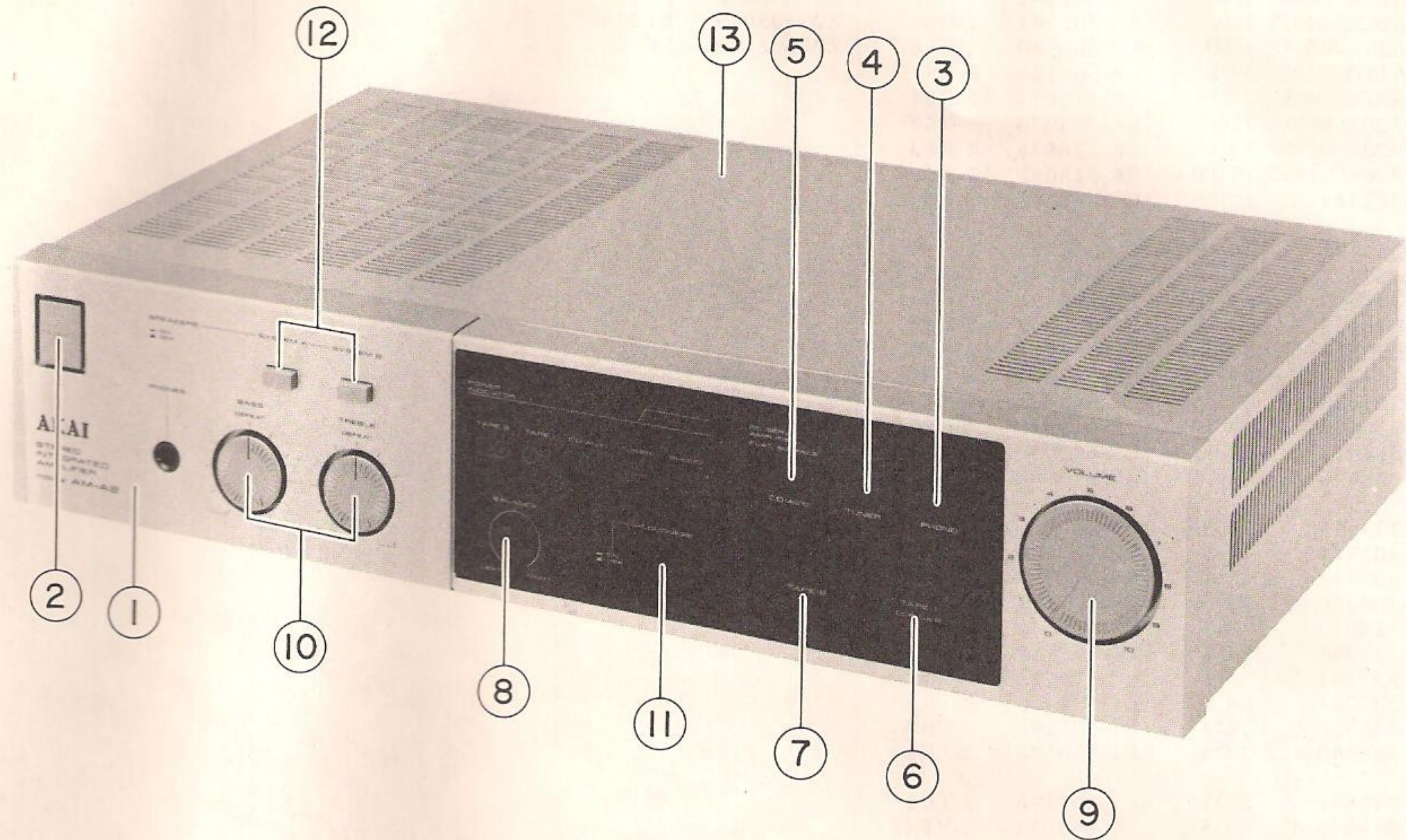
ASSEMBLY BLOCK



14. ASSEMBLY BLOCK

REF. NO.	PARTS NO.	DESCRIPTION	REF. NO.	PARTS NO.	DESCRIPTION
14-1A	BT-352421	⚠ TRANS POWER AM-A2T-70 (U)	14-3G	EW-354514	⚠ AC CORD 2 CORES KP-560, LTSA2F-CB S (S)
14-1B	BT-352422	⚠ TRANS POWER AM-A2T-30 (C)	14-4x	EZ-631945	STRAIN RELIEF SR-4N-4 (C,A)
14-1C	BT-352423	⚠ TRANS POWER AM-A2T-20 (A)	14-5A	EJ-337405	⚠ SOCKET OUTLET S2T733T164 JUC 3x2P (U) (J901)
14-1D	BT-352424	⚠ TRANS POWER AM-A2T-40 (E,V)	14-5B	EJ-352642	⚠ SOCKET OUTLET S2T733T114T (C,A) (J901)
14-1E	BT-352425	⚠ TRANS POWER AM-A2T-50 (B,S)	14-6	ES-349070	⚠ SW SELECTOR YKS11-0002 02-4 (U) (SW901)
14-2	ZS-346742	ST BID40x08STL CMT CUP	14-7A	SP-349930E	PANEL REAR AM-A2 (U)
14-3A	EW-354515	⚠ AC CORD 2 CORES KP-700A, VFF-CB U/T (U)	14-7B	SP-349930F	PANEL REAR AM-A2 (C,A)
14-3B	EW-349427	⚠ AC CORD 2 CORES KP-8W, SPT-2 UC (C)	14-7C	SP-349930G	PANEL REAR AM-A2 (E,V)
14-3C	EW-349428	⚠ AC CORD 2 CORES KP-8W, SPT-1 UC (A)	14-7D	SP-349930H	PANEL REAR AM-A2 (B,S)
14-3D	EW-354625	⚠ AC CORD 2 CORES KP-419C, LTCE-2F E (E)	14-8	ZS-308846	T2BR30x08STL BZN PROJECTION
14-3E	EW-354513	⚠ AC CORD 2 CORES KP-419C, LTCE-2F EV (V)	14-9A	EJ-351485	TERMINAL PUSH YKD21-0148A S 8P (EXCEPT V)
14-3F	EW-354512	⚠ AC CORD 2 CORES LTBS-2F-CB B (B)	14-9B	EJ-349401	TERMINAL LEVER YKD21-0027 8P (V)
			14-10	EJ-329610	TERMINAL W/SCREW UB-0067 L 1P
			14-11	ZS-308846	T2BR30x08STL BZN PROJECTION

FINAL ASSEMBLY BLOCK



15. FINAL ASSEMBLY BLOCK

REF. NO. PARTS NO. DESCRIPTION

PANEL FRONT BLOCK

15-1	BD-A2032A030A	PANEL FRONT BLK AM-A2
15-1P	BD-A2032A030B	PANEL FRONT BLK AM-A2-P
15-1B	BD-A2032A030C	PANEL FRONT BLK AM-A2-B
15-2	SK-343017C	KNOB POWER (2)
15-2P	SK-343017D	KNOB POWER (2)-P
15-2B	SK-343017F	KNOB POWER-B
15-3	SK-349943A	KNOB (C-1) (EXCETP BL)
15-3B	SK-349943D	KNOB (C-1)-B (BL)
15-4	SK-349943B	KNOB (C-2) (EXCEPT BL)
15-4B	SK-349943E	KNOB (C-2)-B (BL)
15-5	SK-349943C	KNOB (C-3) (EXCEPT BL)
15-5B	SK-349943F	KNOB (C-3)-B (BL)
15-6	SK-349941A	KNOB (D-1) (EXCEPT BL)
15-6B	SK-349941E	KNOB (D-1)-B (BL)
15-7	SK-349941B	KNOB (D-2) (EXCEPT BL)
15-7B	SK-349941F	KNOB (D-2)-B (BL)

FINAL ASSEMBLY BLOCK

15-8	SK-332591A	KNOB VOLUME (A) (EXCEPT BL)
15-8B	SK-332591E	KNOB VOLUME (A-5) (BL)
15-9	SK-345375G	KNOB VOLUME (E)
15-9P	SK-345375D	KNOB VOLUME (B)-P
15-9B	SK-345375K	KNOB VOLUME (H)-B
15-10	SK-349939A	KNOB (A)
15-10P	SK-349939B	KNOB (A)-P
15-10B	SK-349939C	KNOB (A)-B
15-11	SK-349940A	KNOB (B-1)
15-12	SK-349940B	KNOB (B-2)
15-12P	SK-349940C	KNOB (B-3)
15-12B	SK-349940A	KNOB (B-1)
15-13	SP-349925A	COVER UPPER
15-13P	SP-349925B	COVER UPPER-P
15-13B	SP-349925C	COVER UPPER-B

SYMBOL FOR COLOR VARIATION

NON : STANDARD COLOR
 P : PEARL SHADOW
 B or BL : BLACK

REF. NO.	PARTS NO.	DESCRIPTION
14-12	EJ-348218	PLUG SHORT PIN P2138
14-13	SA-202118	FOOT
14-14	ZS-498273	T2BR30x08STL CMT PW080
14-15	ZW-698308	RV NYL30x055 BL
14-16	TA-349937	JOINT (B)
14-17	TA-349938	JOINT (C)
14-18A	EF-326639	△ FUSE TSC A 250V 3.15A (U) (F1)
14-18B	EF-601964	△ FUSE SEMKO T 250V 1.60A (B) (F1)
14-18C	EF-306957	△ FUSE TSC 125V 4.00A (C) (F1)
14-19A	EF-366115	△ FUSE TSC 125V 6.30A (C,A) (F3)
14-19B	EF-249851	△ FUSE SEMKO T 250V 5.00A (E,V,B,S) (F3)
14-20A	EF-346115	△ FUSE TSC 125V 6.30A (C,A) (F4)
14-20B	EF-249851	△ FUSE SEMKO T 250V 5.00A (E,V,B,S) (F4)
14-21x	ZW-305013	RV POP32 (A)

INDEX

PARTS NO.	REF. NO.	PARTS NO.	REF. NO.	PARTS NO.	REF. NO.	PARTS NO.	REF. NO.	PARTS NO.	REF. NO.
BA-A2032A020A	1-1A	ER-200939	3-R9	ZS-346742	14-2				
BA-A2032A020B	1-1B	ER-302241	2-R62	ZS-498273	14-14				
BA-A2032A020C	1-1C	ER-302241	2-R65	ZW-305013	14-21x				
BA-A2032A020D	1-1D	ER-303690	2-R46	ZW-698308	14-15				
BA-A2032A020E	1-1E	ER-306128	2-R51						
BA-A2032A020F	1-1F	ER-323074	2-R61						
BD-A2032A030A	15-1	ER-323074	2-R64						
BD-A2032A030B	15-1P	ER-326838	2-R63						
BD-A2032A030C	15-1B	ER-328082	2-R60						
BT-352421	14-1A	ER-333598	2-R30						
BT-352422	14-1B	ER-337754	2-R40						
BT-352423	14-1C	ER-345466	2-R41						
BT-352424	14-1D	ER-349423	2-FR1						
BT-352425	14-1E	ER-352651	2-R39						
EC-320548	12-C1A	ER-352671	2-R56						
EC-325320	2-C32	ER-352672	2-FR2						
EC-325320	2-C33	ER-565334	6-R1						
EC-326583	2-C52	ER-617940	5-R70						
EC-338411	12-C1B	ER-617940	5-R71						
EC-338496	12-C1C	ER-617940	5-R72						
EC-343855	2-C31	ER-617940	5-R73						
ED-301911	2-D3	ER-617940	5-R74						
ED-301911	2-D1	ES-337902	12-SW1						
ED-306320	2-D6	ES-349070	14-6						
ED-324013	2-D7	ES-352620	2-SW1						
ED-337391	5-D2	ES-352624	7-SW1						
ED-337391	5-D3	ES-352632	2-SW2						
ED-337391	5-D4	ET-305463	2-TR3						
ED-348990	2-D2	ET-307195	2-TR4						
ED-348990	2-D4	ET-310148	2-TR1						
ED-349656	5-D1	ET-322598	2-TR2						
ED-349656	5-D5	EV-352621	8-VR1						
ED-349656	6-D1	EV-352622	9-VR1						
ED-350748	2-D8	EV-352645	2-VR1						
EF-249851	2-F3B	EV-352646	2-VR2						
EF-249851	2-F4B	EW-349427	14-3B						
EF-249851	14-19B	EW-349428	14-3C						
EF-249851	14-20B	EW-354512	14-3F						
EF-306957	12-F1C	EW-354513	14-3E						
EF-306957	14-18C	EW-354514	14-3G						
EF-326639	12-F1A	EW-354555	14-3A						
EF-326639	14-18A	EW-354625	14-3D						
EF-346115	2-F3A	EZ-631945	14-4x						
EF-346115	2-F4A	SA-202118	14-13						
EF-346115	14-19A	SK-332591A	15-8						
EF-346115	14-20A	SK-332591E	15-8B						
EF-601964	12-F1B	SK-343017C	15-2						
EF-601964	14-18B	SK-343017D	15-2P						
EI-337228	2-IC2	SK-343017F	15-2B						
EI-344490	1-IC4	SK-345375D	15-9P						
EI-344764	3-IC1	SK-345375G	15-9						
EI-352641	2-IC3	SK-345375K	15-9B						
EI-354080	2-IC5	SK-349939A	15-10						
EJ-329610	14-10	SK-349939B	15-10P						
EJ-337405	14-5A	SK-349939C	15-10B						
EJ-343365	4-J2	SK-349940A	15-11						
EJ-343365	4-J3	SK-349940A	15-12B						
EJ-343365	4-J1	SK-349940B	15-12						
EJ-343380	11-J1A	SK-349940C	15-12P						
EJ-344370	3-J1	SK-349941A	15-6						
EJ-348218	14-12	SK-349941B	15-7						
EJ-349401	10-TM902	SK-349941E	15-6B						
EJ-349401	14-9B	SK-349941F	15-7B						
EJ-351485	14-9A	SK-349943A	15-3						
EJ-352642	14-5B	SK-349943B	15-4						
EJ-355012	11-J1B	SK-349943C	15-5						
EO-336934	4-L1	SK-349943D	15-3B						
EO-336934	4-L2	SK-349943E	15-4B						
EO-336934	4-L3	SK-349943F	15-5B						
EO-336934	4-L4	SP-349925A	15-13						
EO-336934	4-L5	SP-349925B	15-13P						
EO-336934	11-L1	SP-349925C	15-13B						
EO-337878	2-L1	SP-349930E	14-7A						
EO-338409	13-FL1	SP-349930F	14-7B						
EO-338420	3-L1	SP-349930G	14-7C						
EO-342936	10-L1	SP-349930H	14-7D						
EO-345907	3-L2	TA-349937	14-16						
EO-345907	3-L3	TA-349938	14-17						
EQ-337159	2-RL1	ZS-308846	14-8						
ER-200746	2-FR3	ZS-308846	14-11						