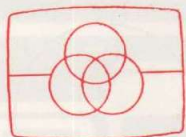


AKAI

MODEL AM-A305/A505

SCHEMATIC DIAGRAM AND PC BOARDS



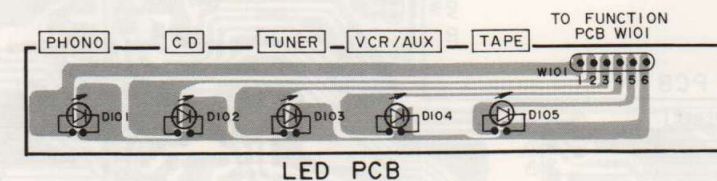
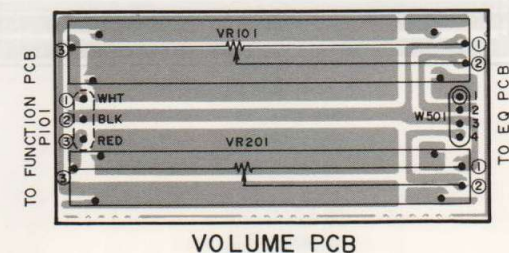
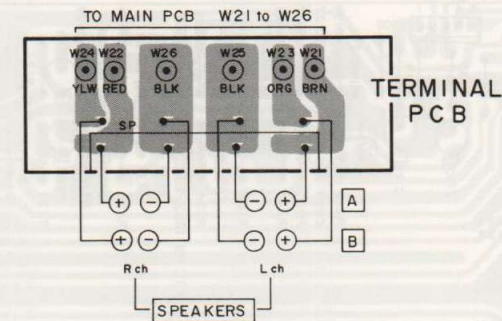
Free service manuals
Gratis schema's

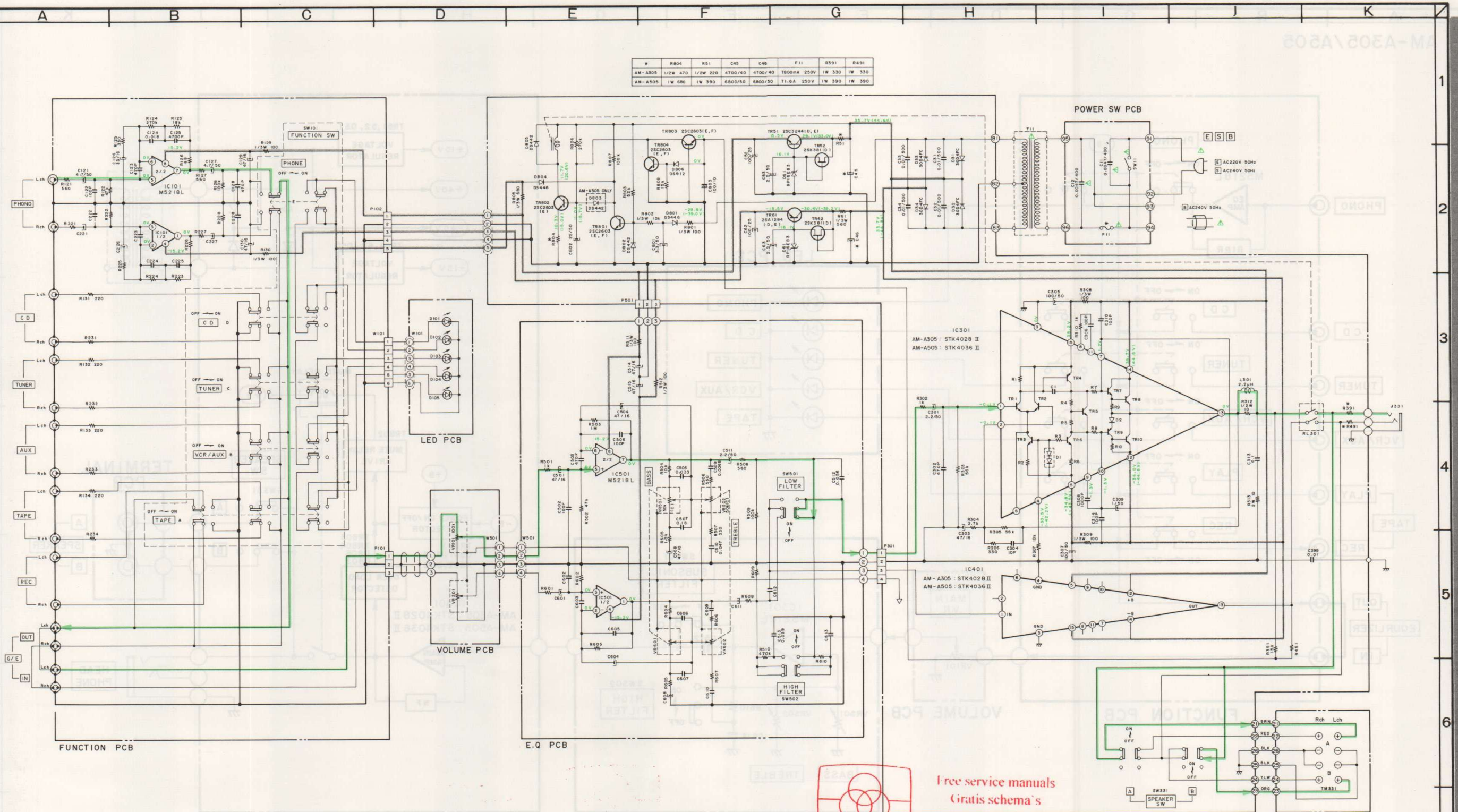
Digitized by

www.freesevicemanuals.info

TABLE OF CONTENTS

1. LED PCB, TERMINAL PCB, AND VOLUME PCB.....	1
2. EQ PCB, FUNCTION PCB, MAIN PCB, AND POWER PCB.....	2
3. SCHEMATIC DIAGRAM.....	3
4. BLOCK DIAGRAM.....	4





Free service manuals
 Gratis schema's

Digitized by

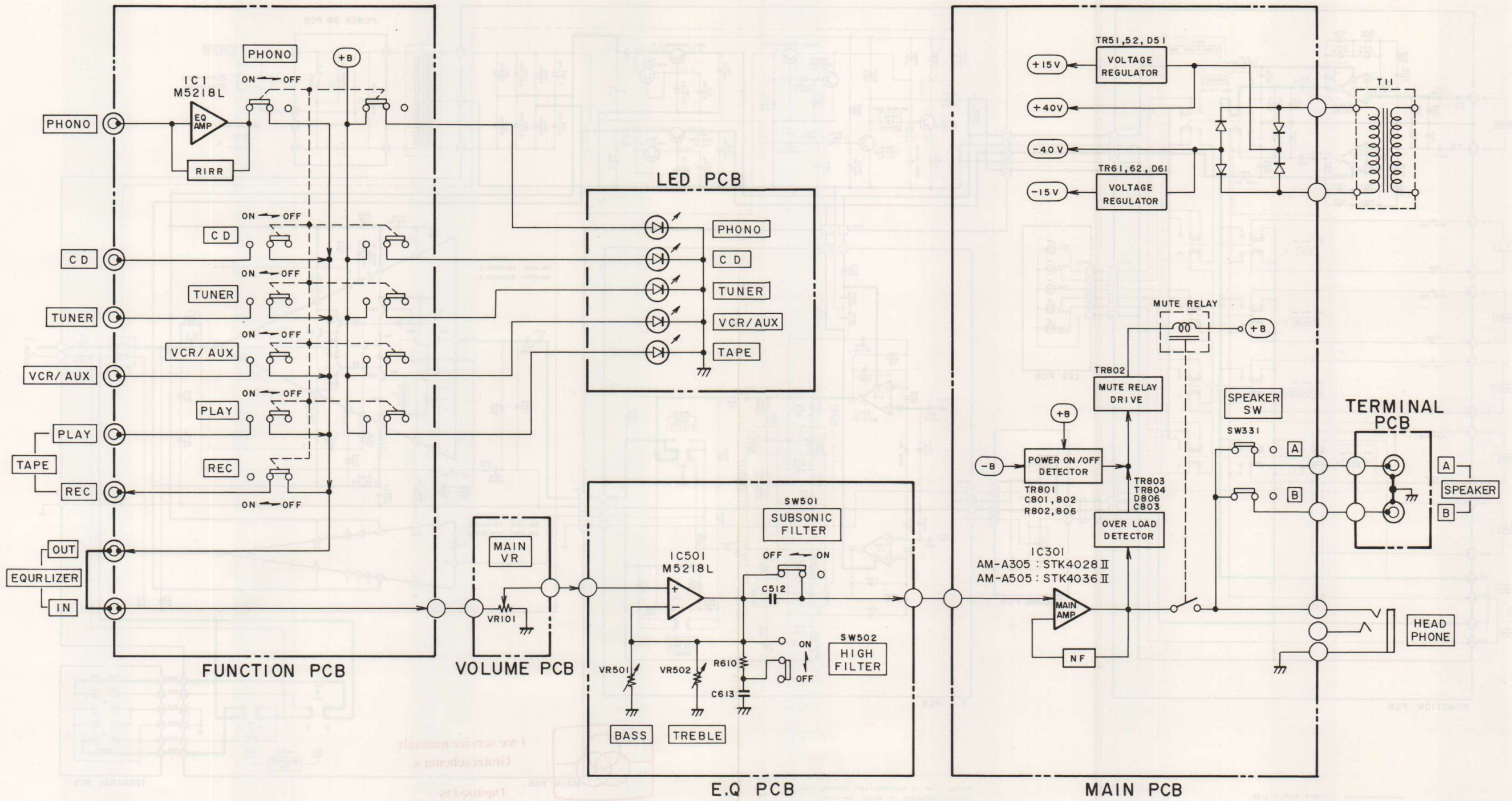
www.freeservicemanuals.info

WARNING: Δ INDICATES SAFETY CRITICAL COMPONENTS FOR CONTINUED SAFETY. REPLACE SAFETY CRITICAL COMPONENTS ONLY WITH MANUFACTURER'S RECOMMENDED PARTS.
 AVERTISSEMENT: Δ IL INDIQUE LES COMPOSANTS CRITIQUES DE SECURITE. POUR MAINTENIR LE DEGRE DE SECURITE DE L'APPAREIL, NE REMPLACER QUE DES PIECES RECOMMANDEES PAR LE FABRICANT.

NOTE: 1) A PART OF Rch CIRCUIT AND THE NUMERICAL VALUE ARE OMITTED.
 2) UNLESS OTHERWISE SPECIFIED ALL RESISTORS IN OHMS 1/4W(1/2)
 3) ALL CAPACITORS IN μF 50WV(1)

AM-A305/A505
 SCHEMATIC DIAGRAM
 NO. 870611A

AM-A305/A505



AM-A305/A505
 BLOCK DIAGRAM
 No. 870610A