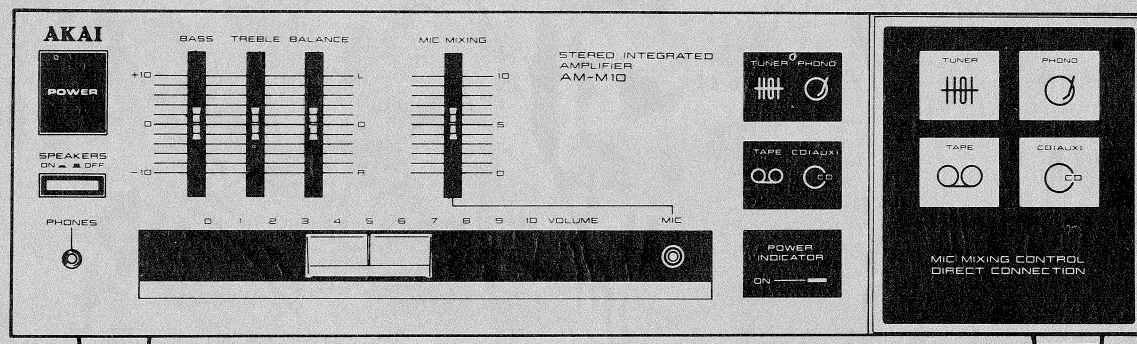


AM-M10

AKAI SERVICE MANUAL



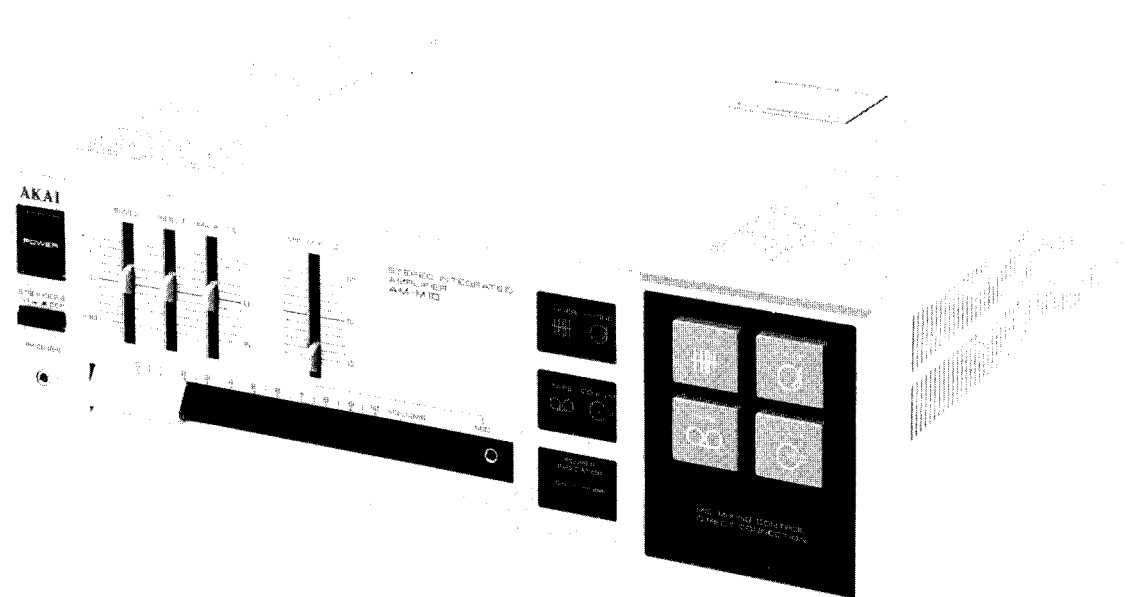
STEREO INTEGRATED AMPLIFIER

MODEL **AM-M10**

ABBREVIATIONS FOR SERVICE MANUAL

MODEL **AM-M10**

ABBREVIATIONS	EXPLANATION
AMP	AMPlifier
AC	Alternate Current
CD	Compact Disc (Player)
DC	Direct Current
EIAJ	Electronic Industries Association of Japan
FTC	Federal Trade Commission
GND	GrouND
IHF	Institute of High Fidelity (Standard)
MIC	MICrophone
OP-AMP	OPerational-AMPlifier
PCB	Printed Circuit Board
REC	RECord
RIAA	Recording Industry Association of America
SW	SWitch



STEREO INTEGRATED AMPLIFIER

MODEL AM-M10

SECTION 1	SERVICE MANUAL	3
SECTION 2	PARTS LIST	9

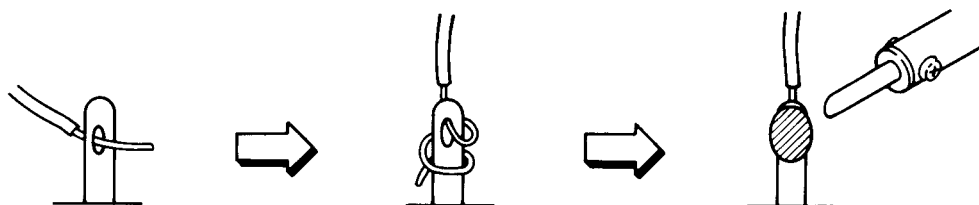
SAFETY INSTRUCTIONS

SAFETY CHECK AFTER SERVICING

Confirm the specified insulation resistance between power cord plug prongs and externally exposed parts of the set is greater than 10 Mohms, but for equipment with external antenna terminals (tuner, receiver, etc.) and is intended for **C** or **A**, specified insulation resistance should be more than 2.2 Mohms (ground terminals, microphone jacks, headphone jacks, line-in-out jacks etc.)

PRECAUTIONS DURING SERVICING

- Parts identified by the \triangle symbol parts are critical for safety.
Replace only with parts number specified.
- In addition to safety, other parts and assemblies are specified for conformance with such regulations as those applying to spurious radiation. These must also be replaced only with specified replacements.
Examples: RF converters, tuner units, antenna selector switches, RF cables, noise blocking capacitors, noise blocking filters, etc.
- Use specified internal wiring. Note especially:
 - Wires covered with PVC tubing
 - Double insulated wires
 - High voltage leads
- Use specified insulating materials for hazardous live parts. Note especially:
 - Insulation Tape
 - PVC tubing
 - Spacers (Insulating Barriers)
 - Insulation sheets for transistors
 - Plastic screws for fixing microswitch (especially in turntable)
- When replacing AC primary side components (transformers, power cords, noise blocking capacitors, etc.), wrap ends of wires securely about the terminals before soldering.

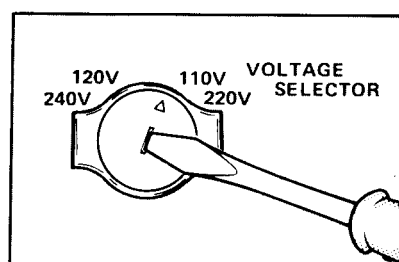


- Observe that wires do not contact heat producing parts (heatsinks, oxide metal film resistors, fusible resistors, etc.).
- Check that replaced wires do not contact sharp edged or pointed parts.
- Also check areas surrounding repaired locations.
- Use care that foreign objects (screws, solder droplets, etc.) do not remain inside the set.

VOLTAGE CONVERSION

Models for some countries are not equipped with this facility, Each machine is preset at the factory according to destination, but some machines can be set to 110V, 120V, 220V, or 240V as required. If your machine's voltage can be converted:

Before connecting the power cord, turn the VOLTAGE SELECTOR located on the rear panel with a screwdriver until the correct voltage is indicated.



SECTION 1

SERVICE MANUAL

TABLE OF CONTENTS

I. SPECIFICATIONS	4
II. DISMANTLING OF UNIT.....	5
III. CONTROLS	6
IV. PRINCIPAL PARTS LOCATION	7
V. ADJUSTMENT	8
VI. PC BOARD TITLE AND IDENTIFICATIONS	8

For basic adjustments, measuring methods, and operating principles, refer to GENERAL TECHNICAL MANUAL.

I. SPECIFICATIONS

POWER AMPLIFIER SECTION

		8 ohms	4 ohms
RATED POWER OUTPUT	40Hz to 20kHz	25W/0.3%	25W/0.3%
POWER OUTPUT (BY FTC)	40Hz to 20kHz	28W/0.3%	28W/0.3%
	1kHz	30W/0.3%	30W/0.3%
FRENCH NORMAL (8 ohms)	63Hz to 12.5kHz	30W/0.7%	
	1kHz	32W/0.7%	
MUSIC POWER (both channels)		100W	
POWER BANDWIDTH (IHF, -3dB, 8 ohms)		20Hz to 40kHz (0.5%)	
S/N RATIO (IHF-A)	PHONO	72dB	
	AUX	90dB	
RESIDUAL NOISE (8 ohms)		0.5mV	
CHANNEL SEPARATION (IHF, 1kHz)		55dB	
DAMPING FACTOR (1kHz, 8 ohms)		30	
REQUIRED SPEAKER IMPEDANCE		4 to 16 ohms	

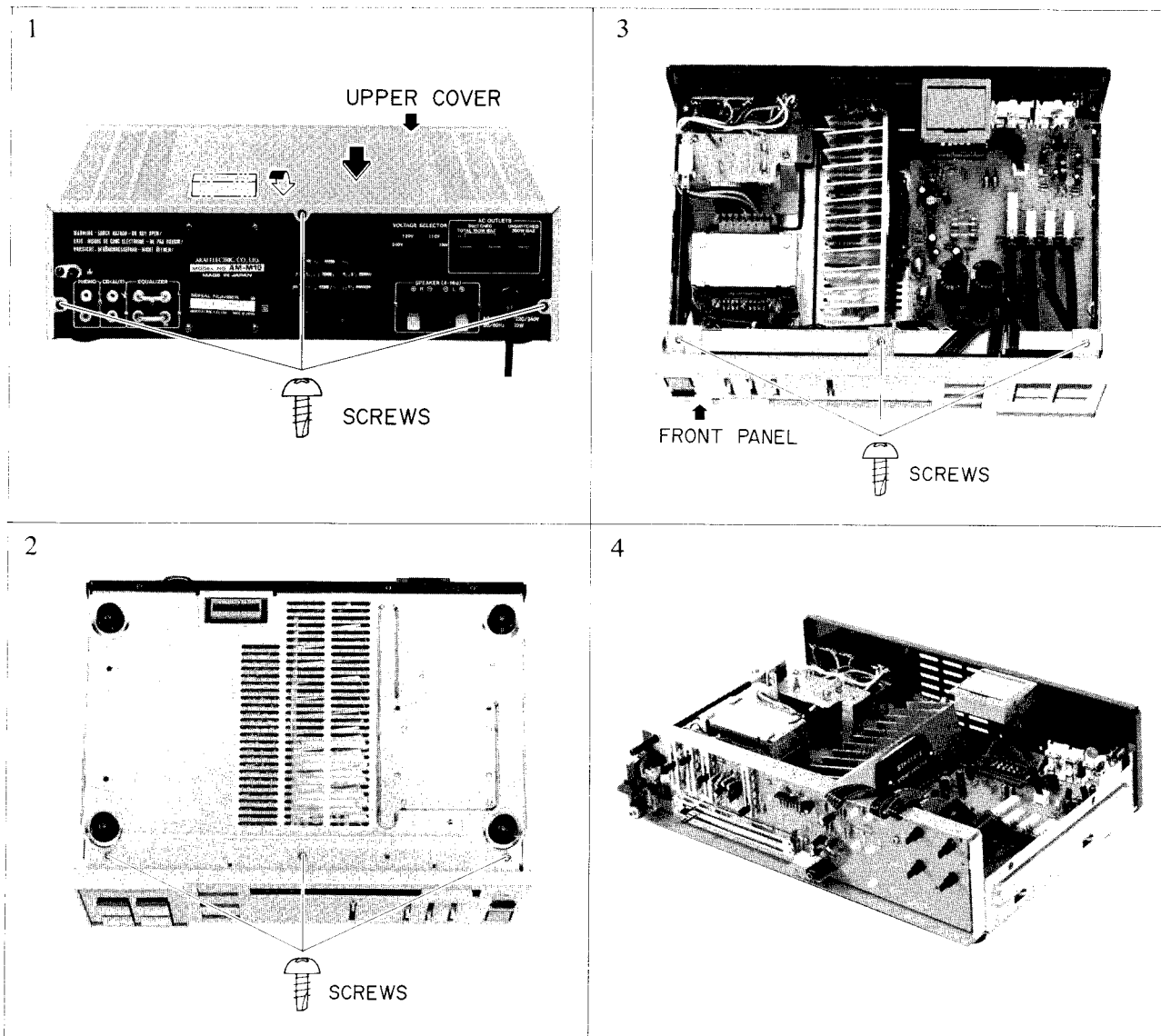
PRE AMPLIFIER SECTION

INPUT SENSITIVITY/IMPEDANCE		
	PHONO	2.5mV/47kohms
	AUX	150mV/47kohms
	TUNER	150mV/47kohms
	TAPE	150mV/47kohms
OUTPUT LEVEL/IMPEDANCE	TAPE REC	150mV/1kohms
FREQUENCY RESPONSE		
	PHONO (riaa deviation)	±0.5dB
	TUNER, AUX, TAPE	5Hz to 100kHz (-3dB)
TONE CONTROL		
	BASS	±8dB
	TREBLE	±8dB
PHONO MAX. INPUT LEVEL		150mV
POWER REQUIREMENTS		120V, 60Hz for USA & Canada 220V, 50Hz for Europe except UK 240V, 50Hz for UK & Australia 110V/120V/220V/240V, 50Hz/60Hz convertible for other countries
DIMENSIONS		350(W) × 100(H) × 254(D) mm (13.8 × 3.9 × 10 inches)
WEIGHT		4.95kg (10.89 lbs)

* For improvement purposes, specifications and design are subject to change without notice.

II. DISMANTRING OF UNIT

In case of trouble, etc. necessitating dismantling, please dismantle in the order shown in the photographs. Reassemble in reverse order.



III. CONTROLS

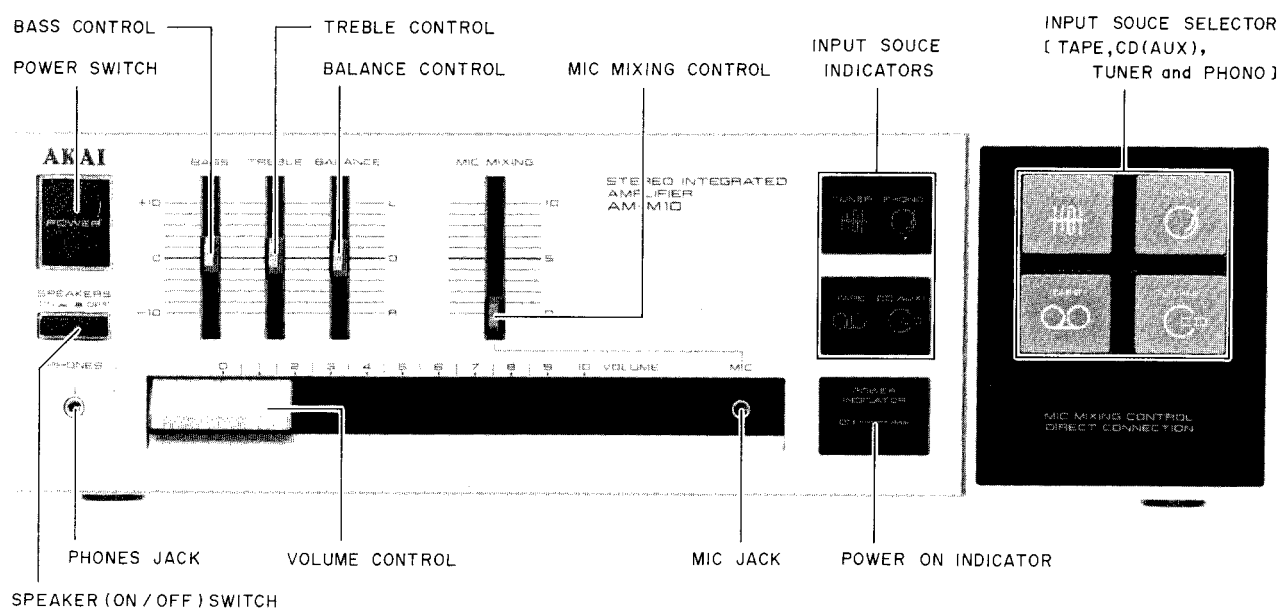


Fig. 3-1 Front View

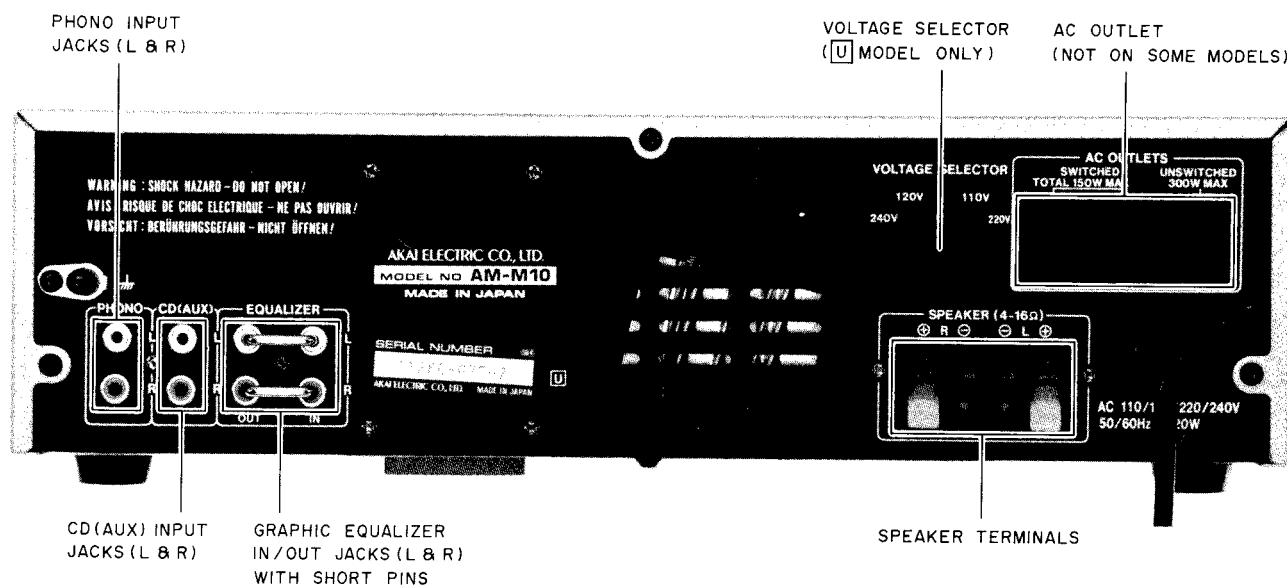


Fig. 3-2 Rear View

IV. PRINCIPAL PARTS LOCATION

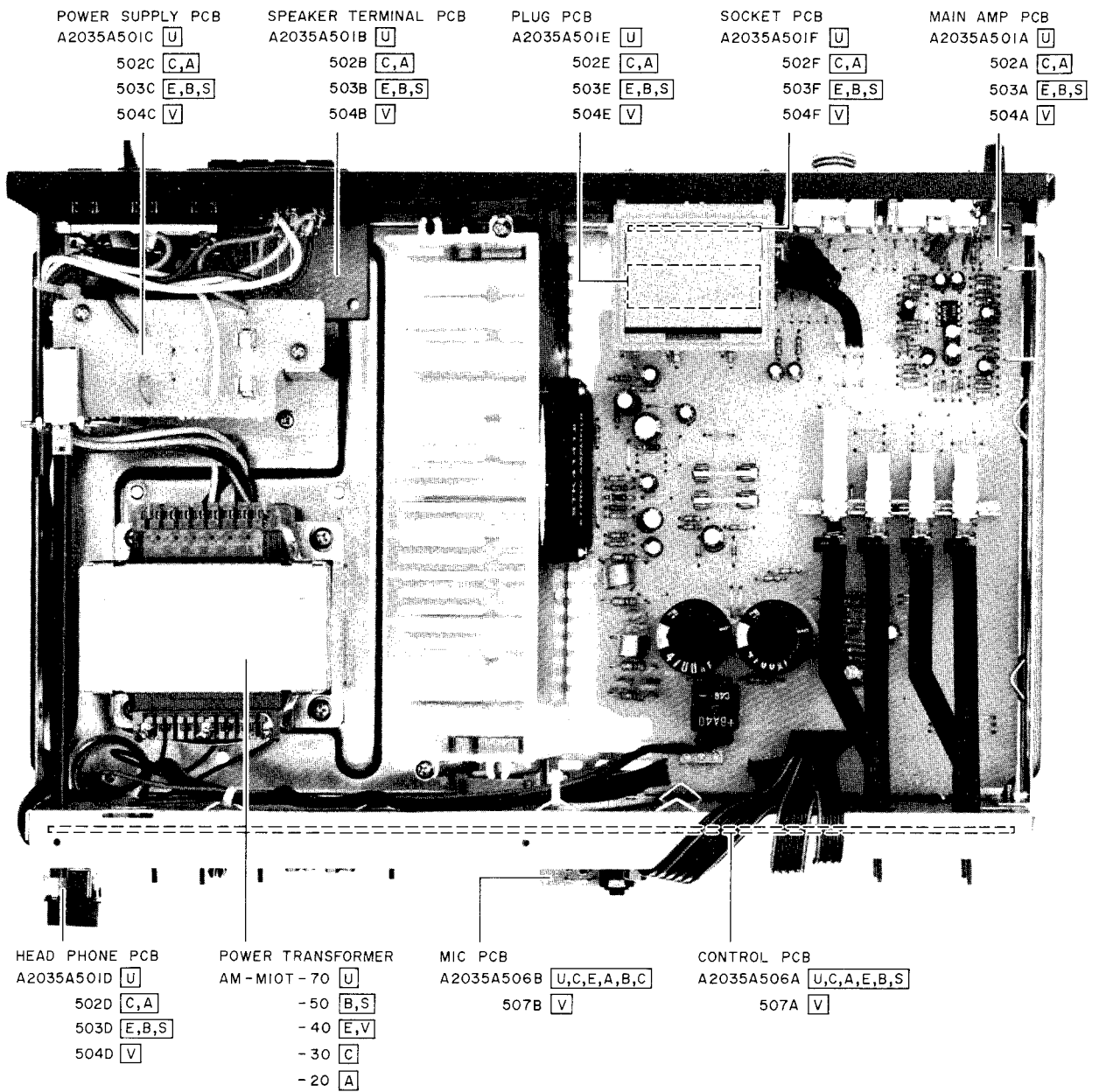


Fig. 4-1 Top View

V. ADJUSTMENT

No Adjustment is Necessary for this model.

VI. PC BOARD TITLE AND IDENTIFICATIONS

PC BOARD TITLE		PC BOARD NUMBER	REMARKS
MAIN AMP	PC BOARD	A2035A501A	U
		502A	C, A
		503A	E, B, S
		504A	V
SPEAKER TERMINAL PC BOARD		A2035A501B	U
		502B	C, A
		503B	E, B, S
		504B	V
POWER SUPPLY	PC BOARD	A2035A501C	U
		502C	C, A
		503C	E, B, S
		504C	V
HEAD PHONE	PC BOARD	A2035A501D	U
		502D	C, A
		503D	E, B, S
		504D	V
PLUG	PC BOARD	A2035A501E	U
		502E	C, A
		503E	E, B, S
		504E	V
SOCKET	PC BOARD	A2035A501F	
		502F	
		503F	
		504F	
CONTROL	PC BOARD	A2035A506A	U, C, A, E, B, S
		507A	V
MIC	PC BOARD	A2035A506B	U, C, A, E, B, S
		507B	V

SECTION 2

PARTS LIST

TABLE OF CONTENTS

RECOMMENDED SPARE PARTS	11
1. PC BOARD BLOCK	11
2. MAIN AMP PC BOARD	11
3. CONTROL PC BOARD	12
4. HEAD PHONE PC BOARD	12
5. SPEAKER TERMINAL PC BOARD	12
6. MIC PC BOARD	12
7. POWER SUPPLY PC BOARD	12
8. ASSEMBLY BLOCK	12
9. FINAL ASSEMBLY BLOCK	14
INDEX	15

Resistor and Capacitor which is not listed in this parts list, please refer to
COMMON LIST FOR SERVICE PARTS.

ATTENTION

1. When placing an order for parts, be sure to list the parts no. model no., and description of each part. If any of this information is omitted, there are instances in which parts cannot be shipped or the wrong parts will be delivered.
2. Please be careful not to make a mistake in the parts no. If the parts no. is in error, a part different from the one ordered may be delivered.
3. Because part numbers and part definitions and supply in the Preliminary Parts List may have been the subject of changes, please use this parts list for all future reference.

HOW TO USE THIS PARTS LIST

1. This Parts List shows those parts which are considered necessary for repairs. Other parts, such as resistors and capacitors, are shown in the "Common List for Service Parts" from which these parts should be selected and parts.
2. The Recommended Spare Parts List shows those parts in the Parts List which are considered particularly important for service.
3. Parts not shown in the Parts List and "Common List for Service Parts" will not in principle be supplied.
4. How to read the parts list

a) Mechanism Block

b) P.C Board Block

2. HEAD BASE BLOCK

REF. NO.	PART NO.	DESCRIPTION
2-1 ^x	BH-T2023A320A	HEAD BASE BLOCK GX-F66R
2-2	HP-H2206A010A	HEAD R/P PR4-8FU C
2-3	ZS-477876	PAN20×03STL CMT
2-4	ZS-536488	BID20×08STL CMT
2-5	ZG-402895	CS ANGLE ADJUST SPRING

SP (Service Parts) Classification

A small "x" indicates the inability to show that particular part in the Photo or Illustration.

This number corresponds with the individual parts index number in that figure

This number corresponds with the Figure Number

6. SYS. CON. P C BOARD BLOCK

REF. NO.	PART NO.	DESCRIPTION
6-1	BA-T2034A070A	PC SYS CON BLK GX-F44R
6-IC1	EI-324536	IC HD14049BP
6-IC2	EI-336801	IC MB8841-564M
6-IC3	EI-331661	IC SN7405N
6-IC4	EI-336725	IC M54527P
6-TR1to4	ET-200985	TR 2SC2603 F,G
6-TR5to28	ET-554657	TR 2SA733A P,Q
6-D1	ED-318292	D SILICON H 1S2473T-77 T26
6-D2to4	ED-308952	D GERMA V 1K34A-LR F07
6-D5to10	ED-318292	D SILICON H 1S2473T-77 T26
6-X1	EI-318384	OSC X'TAL NC-18C 3.579545MHZ

SP (Service Parts) Classification

These reference symbols correspond with component symbols in the Schematic Diagrams.

5. The kind of part and its installation position can both be determined by the Part Number. To determine where a part number is listed, utilize the Parts Index at the end of the Parts List. It is necessary first of all to find the Part Number. This can be accomplished by using the Reference Number listed at the right of the part number in the Parts Index.

WARNING

⚠ INDICATES SAFETY CRITICAL COMPONENTS. FOR CONTINUED SAFETY, REPLACE SAFETY CRITICAL COMPONENTS ONLY WITH MANUFACTURE'S RECOMMENDED PARTS

AVERTISSEMENT

⚠ IL INDIQUE LES COMPOSANTS CRITIQUES DE SÉCURITÉ. POUR MAINTENIR LE DEGRÉ DE SÉCURITÉ DE L'APPAREIL, NE REMPLACER QUE DES PIÈCES RECOMMANDÉES PAR LE FABRICANT

RECOMMENDED SPARE PARTS

Because, if the parts listed below are on hand, almost any repair can be accomplished, we suggest that you stock these Recommended Spare Parts Items.

REF. NO.	PART NO.	DESCRIPTION
1 N	BT-356794	△ TRANS POWER AM-M10T-20 [A]
2 N	BT-356795	△ TRANS POWER AM-M10T-30 [C]
3 N	BT-356796	△ TRANS POWER AM-M10T-40 [E,V]
4 N	BT-356797	△ TRANS POWER AM-M10T-50 [B,S]
5 N	BT-356798	△ TRANS POWER AM-M10T-70 [U]
6	ED-200213	△ D SILICON DBA40C-K15 200/2.6A
7	ED-324013	△ D ZENER H HZ20 2
8	ED-349656	D LED AY5505S
9	ED-301911	D SILICON H DS448
10	ED-306320	D ZENER H HZ15 2
11	ED-329056	D ZENER H HZ22 2
12	EF-602550	△ FUSE SEMKO T 250V 1.25A [E,V,B,S]
13	EF-601964	△ FUSE SEMKO T 250V 1.60A [E,V,B,S]
14	EF-690996	△ FUSE SEMKO T 250V 4.00A [E,V,B,S]
15	EF-306951	△ FUSE TSC A 250V 2.50A [U]
16	EF-326639	△ FUSE TSC A 250V 3.15A [U]
17	EF-306956	△ FUSE TSC 125V 2.50A [C,A]
18	EF-346139	△ FUSE TSC 125V 5.00A [C,A]
19	EI-352644	△ IC STK4141 (2)
20	EI-346071	IC M5218L-21
21	EI-337228	IC M5218L0
22	EI-344764	IC M5218P-21
23	EJ-350918	PLUG CONNECTER M1690 12P
24	EJ-356522	PLUG CONNECTER-B M1690-A 12P
25	EJ-351021	SOCKET CONNECTER M1701 12P
26	EJ-356521	SOCKET CONNECTER-B M1701-A 12P
27	EJ-349417	TERMINAL LEVER YKD21-0026 4P
28	ER-200746	△ R FUSE ERD2FC 1/4W 1000G
29	ES-337902	△ SW PUSH SDLD1P002 01-1
30	ES-349070	△ SW SELECTOR YKS11-0002 02-4 [U]
31 N	ES-356631	SW PUSH ESB62772 2-02-02S
32 N	ES-356663	SW PUSH ESB62965 4 THROW
33	ET-349882	△ TR 2SA1283 D,E
34	ET-349883	△ TR 2SC3243 D,E
35	ET-349081	TR 2SC3383 S,T
36 N	EV-356632	VR SLIDE 100P2WV0B A104
37	EV-349402	VR SLIDE 30P1SV0C B503
38 N	EV-356633	VR SLIDE 30P2SV0F C104
39	EV-349655	VR SLIDE 30P2SV0E MN104

“NOTE” N: New Parts

SYMBOL FOR DESTINATION

- [A]: AAL (U.S.A.)
- [B]: UK (England)
- [C]: CSA (Canada)
- [E]: CEE (Europe)
- [S]: SAA (Australia)
- [U]: U/T (Universal Area)
- [V]: VDE (West Germany)

1. PC BOARD BLOCK

REF. NO.	PART NO.	DESCRIPTION
1-1A	BA-A2035A020A	PC MAIN AMP BLK AM-M10 (U)
1-1B	BA-A2035A020B	PC MAIN AMP BLK AM-M10 (C,A)
1-1C	BA-A2035A020C	PC MAIN AMP BLK AM-M10 (E,B,S)
1-1D	BA-A2035A020D	PC MAIN AMP BLK AM-M10 (V)
1-2A	BA-A2035A030A	PC CONTROL BLK AM-M10 (U) [EXCEPT V]
1-2B	BA-A2035A030B	PC CONTROL BLK AM-M10 (V) [V]

NOTES: (1) PC MAIN AMP BLK consists of following PC BOARDS.

- MAIN AMP PC BOARD
- HEAD PHONE PC BOARD
- SPEAKER TERMINAL PC BOARD
- POWER SUPPLY PC BOARD

(2) PC CONTROL BLK consists of following PC BOARDS.

- CONTROL PC BOARD
- MIC PC BOARD

2. MAIN AMP PC BOARD

REF. NO.	PART NO.	DESCRIPTION
2-IC1	EI-344764	IC M5218P-21
2-IC2	EI-352644	△ IC STK4141 (2)
2-TR1	ET-349883	△ TR 2SC3243 D,E
2-TR2	ET-349882	△ TR 2SA1283 D,E
2-D1	ED-306320	D ZENER H HZ15 2
2-D2	ED-324013	△ D ZENER H HZ20 2
2-D3	ED-329056	D ZENER H HZ22 2
2-D4	ED-301911	D SILICON H DS448
2-D5	ED-324013	△ D ZENER H HZ20 2
2-D6	ED-200213	△ D SILICON DBA40C-K15 200/2.6A
2-SW1	ES-356663	SW PUSH ESB62965 4 THROW
2-L1	EO-336902	COIL FIX 2 106AK-026 1R0K
2-L2	EO-338420	COIL FIX 2 FL12R202E 202K [V]
2-L3 to L7	EO-336934	COIL FIX 1 LAL03KH 2R2M [V]
2-FR1	ER-328278	△ R FUSE ERD2FC 1/4W 10R0G
2-FR2	ER-200746	△ R FUSE ERD2FC 1/4W 1000G
2-R7	ER-322331	△ R CB H S10 FS RDS 1/4W 821J
2-R17	ER-325269	△ R CB H S10 FS RDS 1/4W 222J
2-R19	ER-333355	△ R CB H S10 FS RDS 1/4W 103J
2-R20,		
R21	ER-308875	△ R CB H S15 FS RDS 1/2W 100J
2-R25	ER-322331	△ R CB H S10 FS RDS 1/4W 821J
2-R26	ER-327198	△ R CB H S10 FS RDS 1/4W 122J
2-R27	ER-325269	△ R CB H S10 FS RDS 1/4W 222J
2-R28	ER-302241	△ R CB H S10 FS RDS 1/4W 4R7J
2-R29	ER-355214	R CB H RD 1/2W 103J
2-R30	ER-322331	△ R CB H S10 FS RDS 1/4W 821J
2-R31	ER-327198	△ R CB H S10 FS RDS 1/4W 122J
2-R32	ER-325269	△ R CB H S10 FS RDS 1/4W 222J
2-R33	ER-302241	△ R CB H S10 FS RDS 1/4W 4R7J
2-R34	ER-353214	R CB H RD 1/2W 103J
2-C25	EC-352643	△ C EC V 472M 40DC
2-C28	EC-352643	△ C EC V 472M 40DC
2-C29	EC-326583	C MMY V CUT CF921 473K 400DC
2-P1,P2	EJ-336905	PIN J AJC-035-ACB P 4P

3. CONTROL PC BOARD

REF. NO.	PART NO.	DESCRIPTION
3-IC1	EI-346071	IC M5218L-21
3-IC2	EI-337228	IC M5218L0
3-TR1	ET-349081	TR 2SC3383 S,T
3-D1 to D5	ED-349656	D LED AY5505S
3-VR1	EV-349402	VR SLIDE 30P1SV0C B503
3-VR2	EV-356632	VR SLIDE 100P2WV0B A104
3-VR3	EV-349655	VR SLIDE 30P2SV0E MN104
3-VR4, VR5	EV-356633	VR SLIDE 30P2SV0F C104
3-R24, R25	ER-333654	△ R CB H S15 FS RDS 1/2W 332J

4. HEAD PHONE PC BOARD

REF. NO.	PART NO.	DESCRIPTION
4-SW2	ES-356631	SW PUSH ESB62772 2-02-02S
4-L1	EO-336934	COIL FIX 1 LAL03KH 2R2M [V]
4-R1	ER-308028	R OMF H S15 FS 1W 181J
4-J1	EJ-349658	PHONE J 2P HSJ0922-040 3.5 T

5. SPEAKER TERMINAL PC BOARD

REF. NO.	PART NO.	DESCRIPTION
5-L1	EO 342936	COIL BALUN [V]
5-TM1	EJ-349417	TERMINAL LEVER YKD21-0026 4P

6. MIC PC BOARD

REF. NO.	PART NO.	DESCRIPTION
6-L1	EO-338420	COIL FIX 2 FL12R202E 202K [V]
6-J1	EJ-356634	PHONE J HSJ3064-01-460

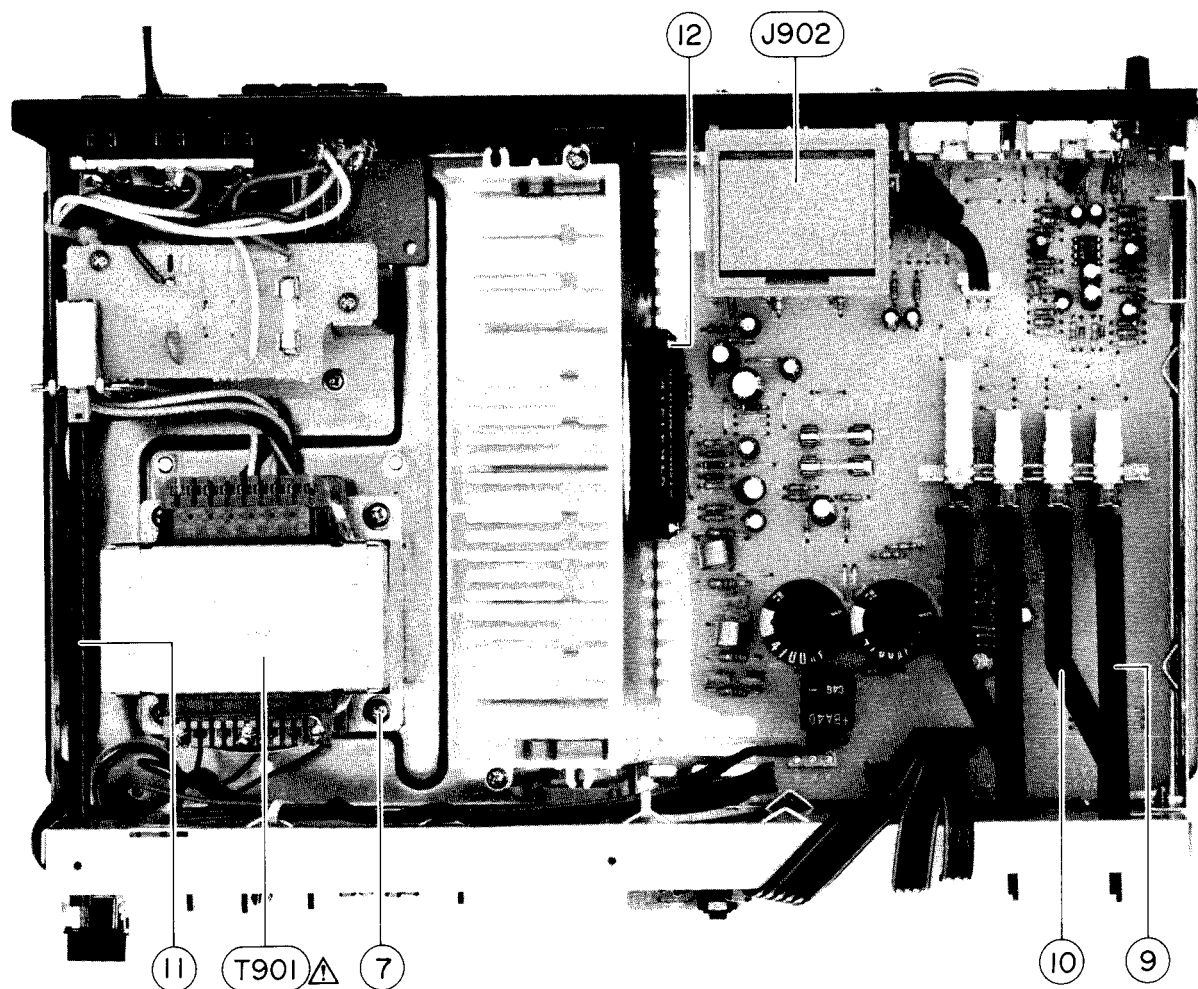
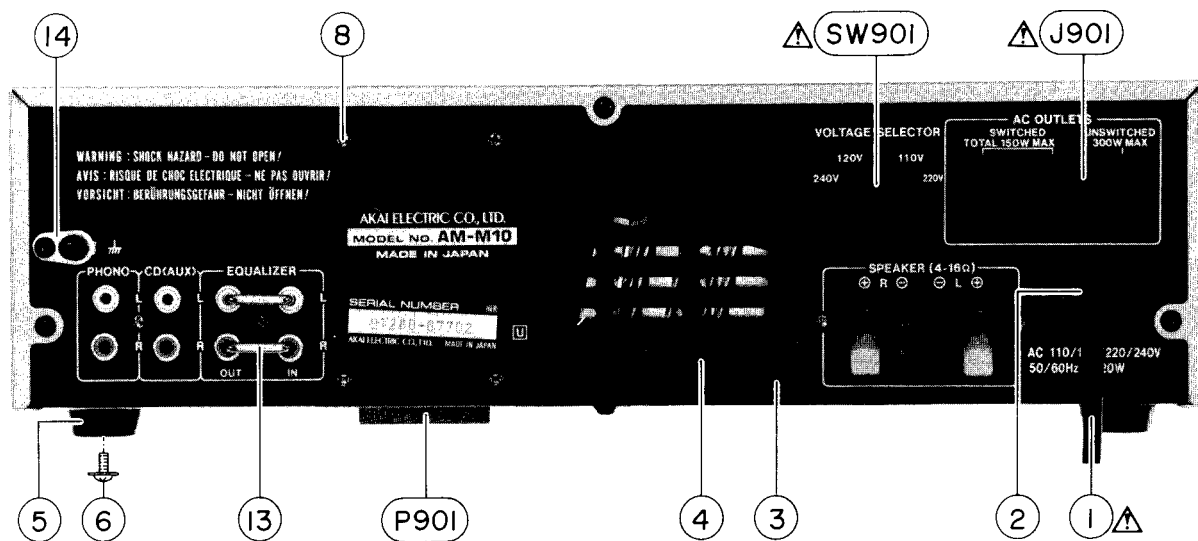
7. POWER SUPPLY PC BOARD

REF. NO.	PART NO.	DESCRIPTION
POWER SUPPLY PC BOARD		
7-SW1	ES-337902	△ SW PUSH SDDL1P002 01-1
7-L1	EO-338409	COIL LF FK0B160MH02 250UH [V]
7-C1A	EC-320548	△ C CE V F 103Z 250AC [U]
7-C1B	EC-338411	△ C CE V FZ 103P 400AC [C,A]
7-C1C	EC-338496	△ C CE V FZ 472P 400AC [E,V,B,S]
ASSEMBLY BLOCK		
7-F1A	EF-326639	△ FUSE TSC A 250V 3.15A [U]
7-F1B	EF-306956	△ FUSE TSC 125V 2.50A [C,A]
7-F1C	EF-602550	△ FUSE SEMKO T 250V 1.25A [E,V,B,S]
7-F2B	EF-346139	△ FUSE TSC 125V 5.00A [C,A]
7-F2C	EF-690996	△ FUSE SEMKO T 250V 4.00A [E,V,B,S]
7-F3A	EF-306951	△ FUSE TSC A 250V 2.50A [U]
7-F3B	EF-306956	△ FUSE TSC 125V 2.50A [C,A]
7-F3C	EF-601964	△ FUSE SEMKO T 250V 1.60A [E,V,B,S]
7-F4A	EF-306951	△ FUSE TSC A 250V 2.50A [U]
7-F4B	EF-306956	△ FUSE TSC 125V 2.50A [C,A]
7-F4C	EF-601964	△ FUSE SEMKO T 250V 1.60A [E,V,B,S]

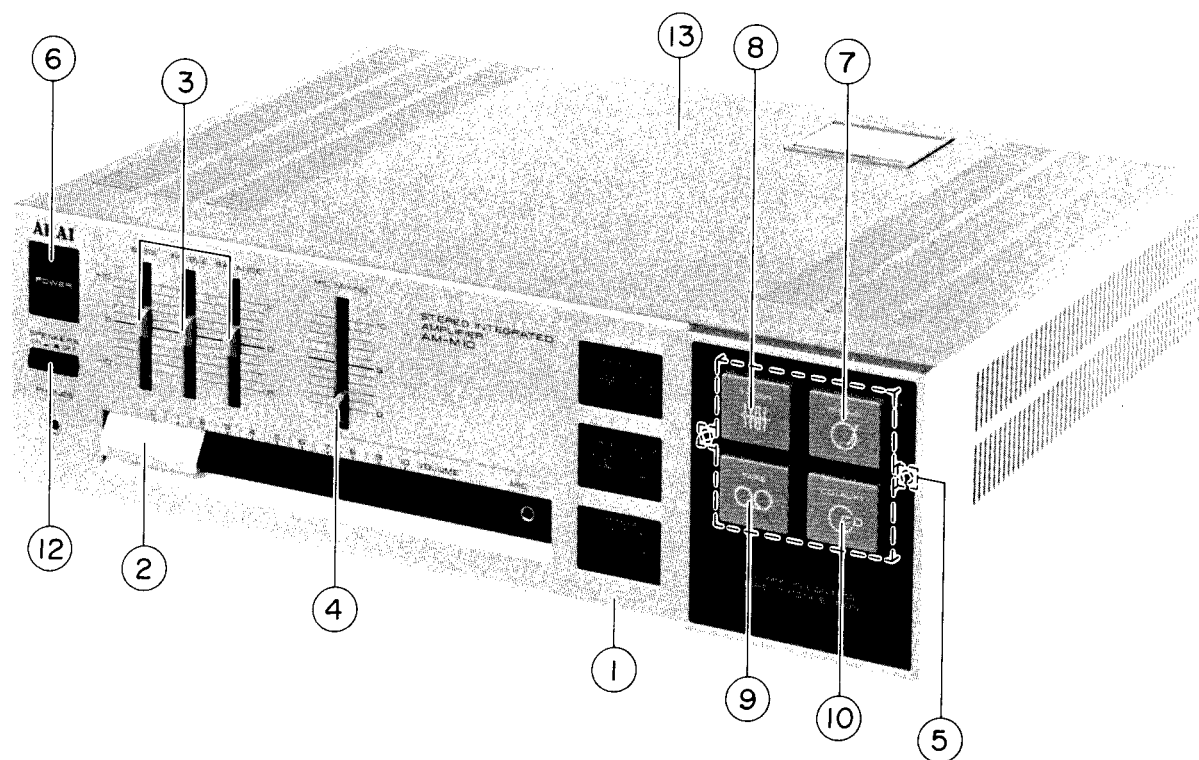
8. ASSEMBLY BLOCK

REF. NO.	PART NO.	DESCRIPTION
8-1A	EW-354515	△ AC CORD 2 COERS KP-700A, VFF-U/T [U]
8-1B	EW-349427	△ AC CORD 2 CORES KP-8W, SPT-2 UC [C]
8-1C	EW-349428	△ AC CORD 2 CORES KP-8W, SPT-1 UC [A]
8-1D	EW-358028	△ AC CORD 2 CORES KP-419C, LTCE-2F EV [E,V]
8-1E	EW-358029	△ AC CORD 2 CORES LTBS-2F-CB B [B]
8-1F	EW-358030	△ AC CORD 2 CORES KP-560, LTSA2F-CB S [S]
8-2	EZ-631945	STRAIN RELIEF SR-4N-4 [C,A]
8-3A	SP-356601A	PANEL REAR AM-M10 (U)
8-3B	SP-356601D	PANEL REAR AM-M10 (C,A)
8-3C	SP-356601B	PANEL REAR AM-M10 (E,V)
8-3D	SP-356601C	PANEL REAR AM-M10 (B,S)
8-4	ZS-308846	T2BR30X08STL BZN PROJECTION
8-5	SA-202118	FOOT
8-6	ZS-498273	T2BR30X08STL CMT PW080
8-7	ZS-346742	ST BID40X08STL CMT CUP [POWER TRANS FIX]
8-8	ZS-351886	PT BR30X10STL BNI [CONNECTOR FIX]
8-9	MZ-356605	JOINT (A)
8-10	MZ-356606	JOINT (B)
8-11	MZ-356607	JOINT (C)
8-12	ZS-321279	T2BR30X18STL CMT
8-13	EJ-348218	PLUG SHORT PIN P2138
8-14	EJ-329610	TERMINAL W/SCREW UB-0067 L 1P
8-T901A	BT-356798	△ TRANS POWER AM-M10T-70 [U]
8-T901B	BT-356795	△ TRANS POWER AM-M10T-30 [C]
8-T901C	BT-356794	△ TRANS POWER AM-M10T-20 [A]
8-T901D	BT-356796	△ TRANS POWER AM-M10T-40 [E,V]
8-T901E	BT-356797	△ TRANS POWER AM-M10T-50 [B,S]
8-SW901	ES-349070	△ SW SELECTOR YKS11-0002 02-4 [U]
8-J901A	EJ-337405	△ SOCKET OUTLET S2T733T164 JUC 3X2P [U]
8-J901B	EJ-352642	△ SOCKET OUTLET S2T733T114T [C,A]
8-P901	EJ-350918	PLUG CONNECTER M1690 12P
8-P901B	EJ-356522	PLUG CONNECTER-B M1690-A 12P
8-J902	EJ-351021	SOCKET CONNECTER M1701 12P
8-J902B	EJ-356521	SOCKET CONNECTER-B M1701-A 12P

ASSEMBLY BLOCK



FINAL ASSEMBLY BLOCK



9. FINAL ASSEMBLY BLOCK

REF. PART NO. DESCRIPTION
NO.

PANEL FRONT BLOCK

9-1	BD-A2035A040A	PANEL FRONT BLK AM-M10
9-1B	BD-A2035A040B	PANEL FRONT BLK AM-M10-B
9-2	SK-B356613	KNOB (C) PART
9-2B	SK-B356613B	KNOB (C)-B PART
9-3	SK-B356615	KNOB (D)-1 PART
9-4	SK-B356615B	KNOB (D)-2 PART
9-5	SE-356617	ESCUTCHEON (B)
9-6	SK-343017F	KNOB POWER-B
9-7	SK-356618L	KNOB (A)-S PHONO
9-7B	SK-357765A	KNOB (A)-B PHONO
9-8	SK-356618M	KNOB (A)-S TUNER
9-8B	SK-357765B	KNOB (A)-B TUNER
9-9	SK-356618N	KNOB (A)-S TAPE
9-9B	SK-357765C	KNOB (A)-B TAPE
9-10	SK-356618P	KNOB (A)-S CD/AUX
9-10B	SK-357765D	KNOB (A)-B CD/AUX

FINAL ASSEMBLY BLOCK

9-11x	ZS-447840	T2BR30X08STL CMT [PANEL FRONT FIX]
9-12	SK-356619B	KNOB (B)-S
9-13	SP-350869	COVER UPPER
9-13B	SP-350869E	COVER UPPER (C)-B

NOTE: PANEL FRONT BLK consists of 9-2, 9-3, 9-4, 9-5, 9-6, 9-7, 9-8, 9-9 and 9-10.

SYMBOL FOR COLOR VARIATION

NON: STANDARD COLOR

B or BL: BLACK

INDEX

PART NO.	REF. NO.	PART NO.	REF. NO.	PART NO.	REF. NO.	PART NO.	REF. NO.	PART NO.	REF. NO.
BA-A2035A020A	1-1A	ER-333355	2-R19						
BA-A2035A020B	1-1B	ER-333654	3-R24						
BA-A2035A020C	1-1C	ER-333654	3-R25						
BA-A2035A020D	1-1D	ER-353214	2-R29						
BA-A2035A030A	1-2A	ER-353214	2-R34						
BA-A2035A030B	1-2B	ES-337902	7-SW1						
BD-A2035A040A	9-1	ES-349070	8-SW901						
BD-A2035A040B	9-1B	ES-356631	4-SW2						
BT-356794	8-T901C	ES-356663	2-SW1						
BT-356795	8-T901B	ET-349081	3-TR1						
BT-356796	8-T901D	ET-349882	2-TR2						
BT-356797	8-T901E	ET-349883	2-TR1						
BT-356798	8-T901A	EV-349402	3-VR1						
EC-320548	7-C1A	EV-349655	3-VR3						
EC-326583	2-C29	EV-356632	3-VR2						
EC-338411	7-C1B	EV-356633	3-VR4						
EC-338496	7-C1C	EV-356633	3-VR5						
EC-352643	2-C25	EW-349427	8-1B						
EC-352643	2-C28	EW-349428	8-1C						
ED-200213	2-D6	EW-354515	8-1A						
ED-301911	2-D4	EW-358028	8-1D						
ED-306320	2-D1	EW-358029	8-1E						
ED-324013	2-D2	EW-358030	8-1F						
ED-324013	2-D5	EZ-631945	8-2						
ED-329056	2-D3	MZ-356605	8-9						
ED-349656	3-D1	MZ-356606	8-10						
	to D5	MZ-356607	8-11						
EF-306951	7-F3A	SA-202118	8-5						
EF-306951	7-F4A	SE-356617	9-5						
EF-306956	7-F1B	SK-B356613	9-2						
EF-306956	7-F3B	SK-B356613B	9-2B						
EF-306956	7-F4B	SK-B356615	9-3						
EF-326639	7-F1A	SK-B356615B	9-4						
EF-346139	7-F2B	SK-343017F	9-6						
EF-601964	7-F3C	SK-356618L	9-7						
EF-601964	7-F4C	SK-356618M	9-8						
EF-602550	7-F1C	SK-356618N	9-9						
EF-690996	7-F2C	SK-356618P	9-10						
EI-337228	3-IC2	SK-356619B	9-12						
EI-344764	2-IC1	SK-357765A	9-7B						
EI-346071	3-IC1	SK-357765B	9-8B						
EI-352644	2-IC2	SK-357765C	9-9B						
EJ-329610	8-14	SK-357765D	9-10B						
EJ-336905	2-P1	SP-350869	9-13						
EJ-336905	2-P2	SP-350869E	9-13B						
EJ-337405	8-J901A	SP-356601A	8-3A						
EJ-348218	8-13	SP-356601B	8-3C						
EJ-349417	5-TM1	SP-356601C	8-3D						
EJ-349658	4-J1	SP-356601D	8-3B						
EJ-350918	8-P901	ZS-308846	8-4						
EJ-351021	8-J902	ZS-321279	8-12						
EJ-352642	8-J901B	ZS-346742	8-7						
EJ-356521	8-J902B	ZS-351886	8-8						
EJ-356522	8-P901B	ZS-447840	9-11x						
EJ-356634	6-J1	ZS-498273	8-6						
EO-336902	2-L1								
EO-336934	2-L4								
EO-336934	2-L3								
EO-336934	2-L5 to L7								
EO-336934	4-L1								
EO-338409	7-L1								
FO-338420	2-L2								
EO-338420	6-L1								
FO-342936	5-L1								
ER-200746	2-FR2								
ER-302241	2-R28								
ER-302241	2-R33								
ER-308028	4-R1								
ER-308875	2-R20								
ER-308875	2-R21								
ER-322331	2-R25								
ER-322331	2-R30								
ER-322331	2-R7								
ER-325269	2-R27								
ER-325269	2-R32								
ER-325269	2-R17								
ER-327198	2-R26								
ER-327198	2-R31								
ER-328278	2-FR1								

-- MEMO --

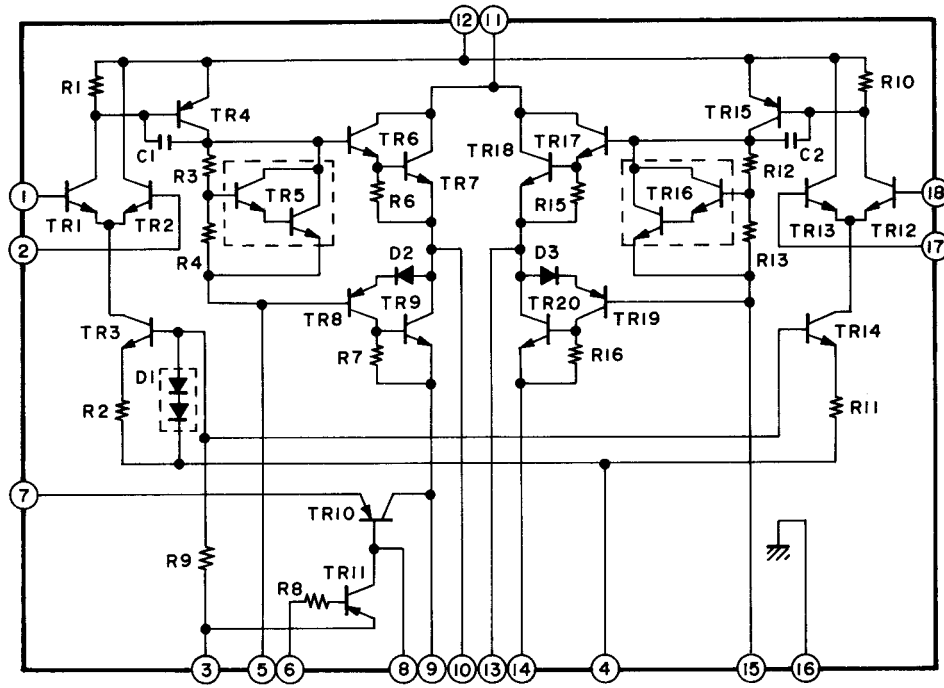
AKAI

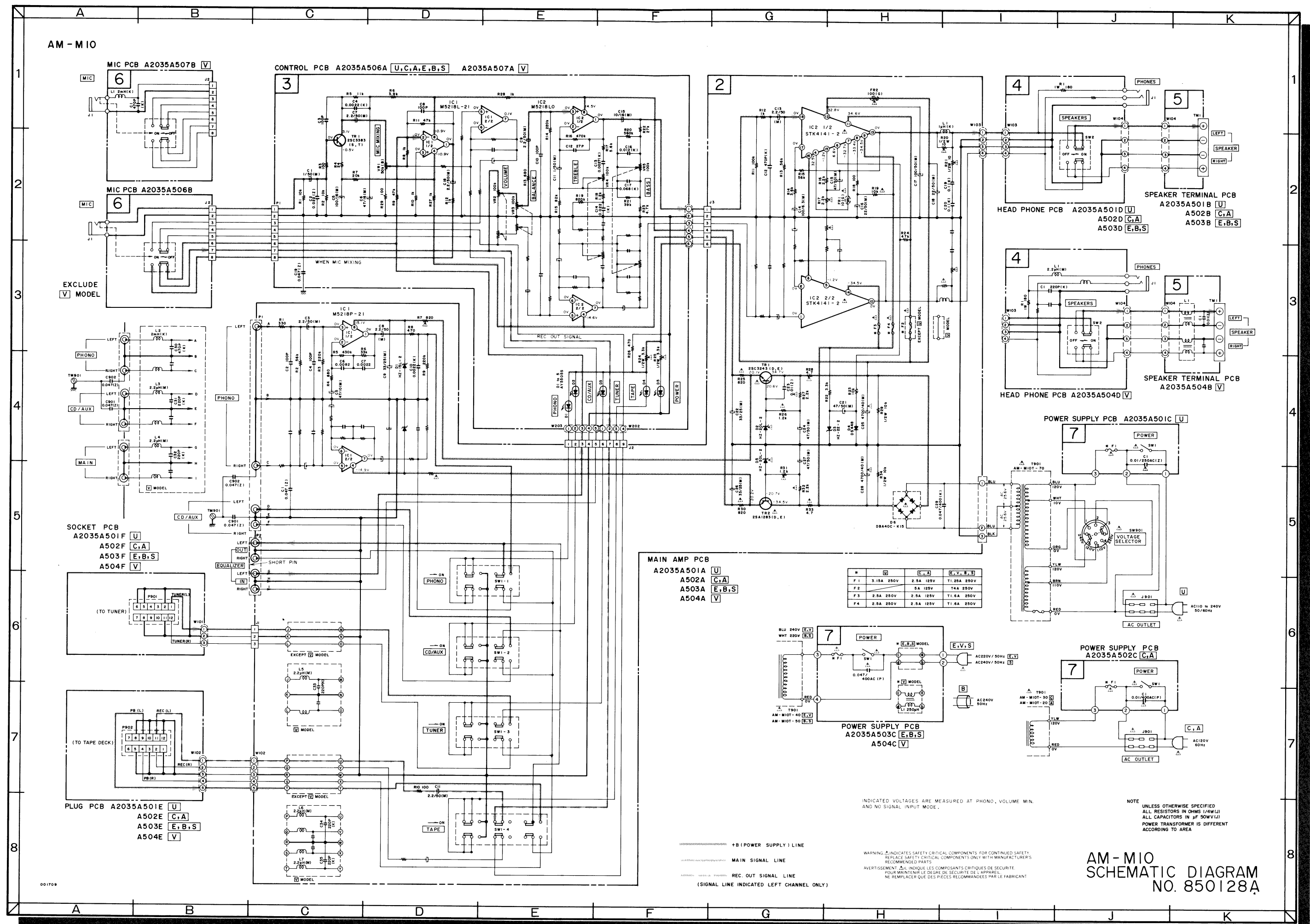
MODEL AM-M10

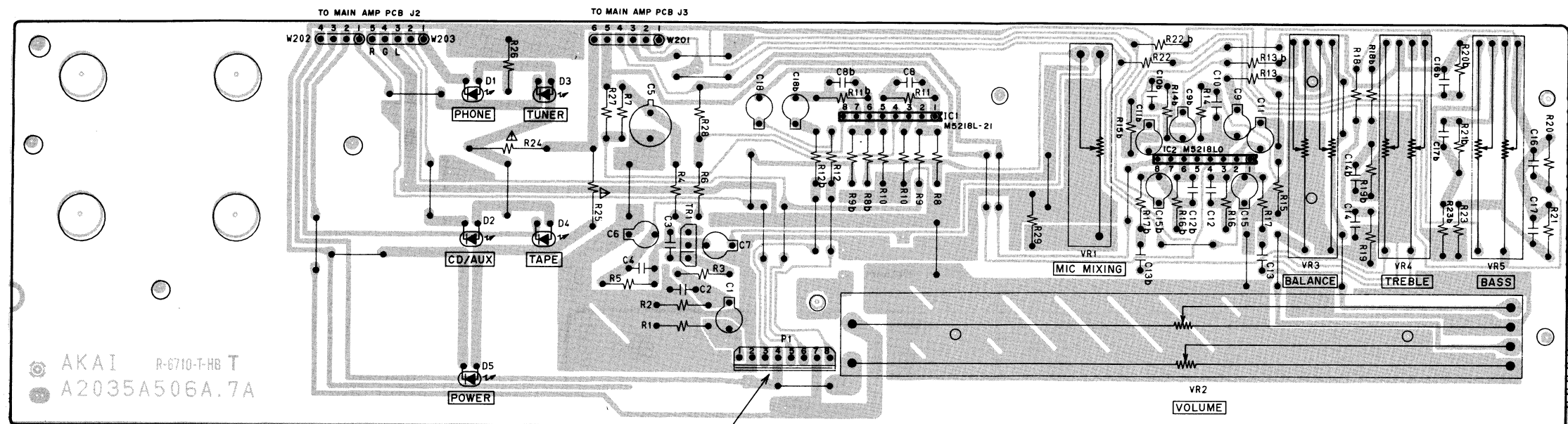
PC BOARDS SCHEMATIC DIAGRAM

1. BLOCK DIAGRAM OF IC's	1
2. AM-M10 SCHEMATIC DIAGRAM	2
3. CONTROL PCB, MIC PCB, SOCKET PCB, PLUG PCB, MAIN AMP PCB, SPEAKER TERMINAL PCB, HEADPHONE PCB	3
4. POWER SUPPLY PCB, SPEAKER TERMINAL PCB, HEADPHONE PCB . . .	4

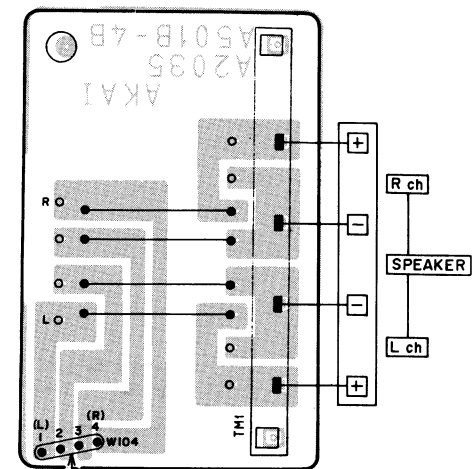
STK4141-II



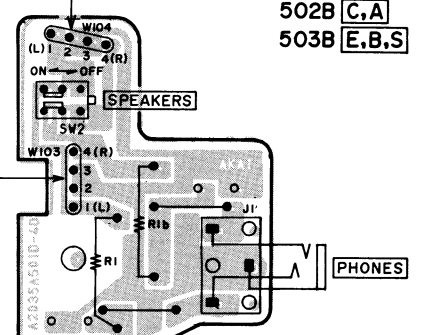




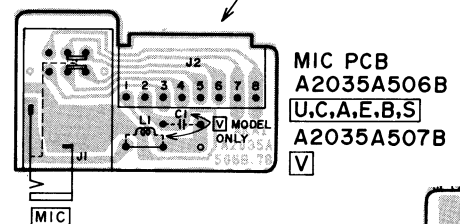
CONTROL PCB A2035A506A [U,C,A,E,B,S]
507A [V]



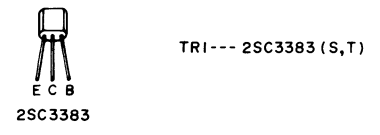
SPEAKER TERMINAL PCB A2035A501B [U]
502B [C,A]
503B [E,B,S]



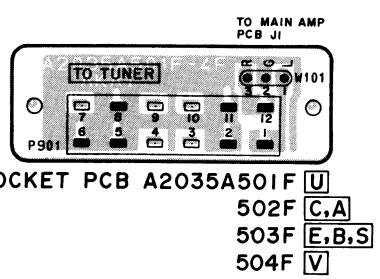
HEADPHONE PCB A2035A501D [U]
502D [C,A]
503D [E,B,S]



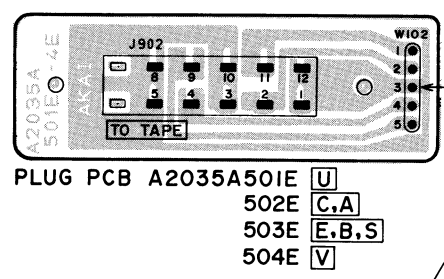
MIC PCB A2035A506B [U,C,A,E,B,S]
A2035A507B [V]



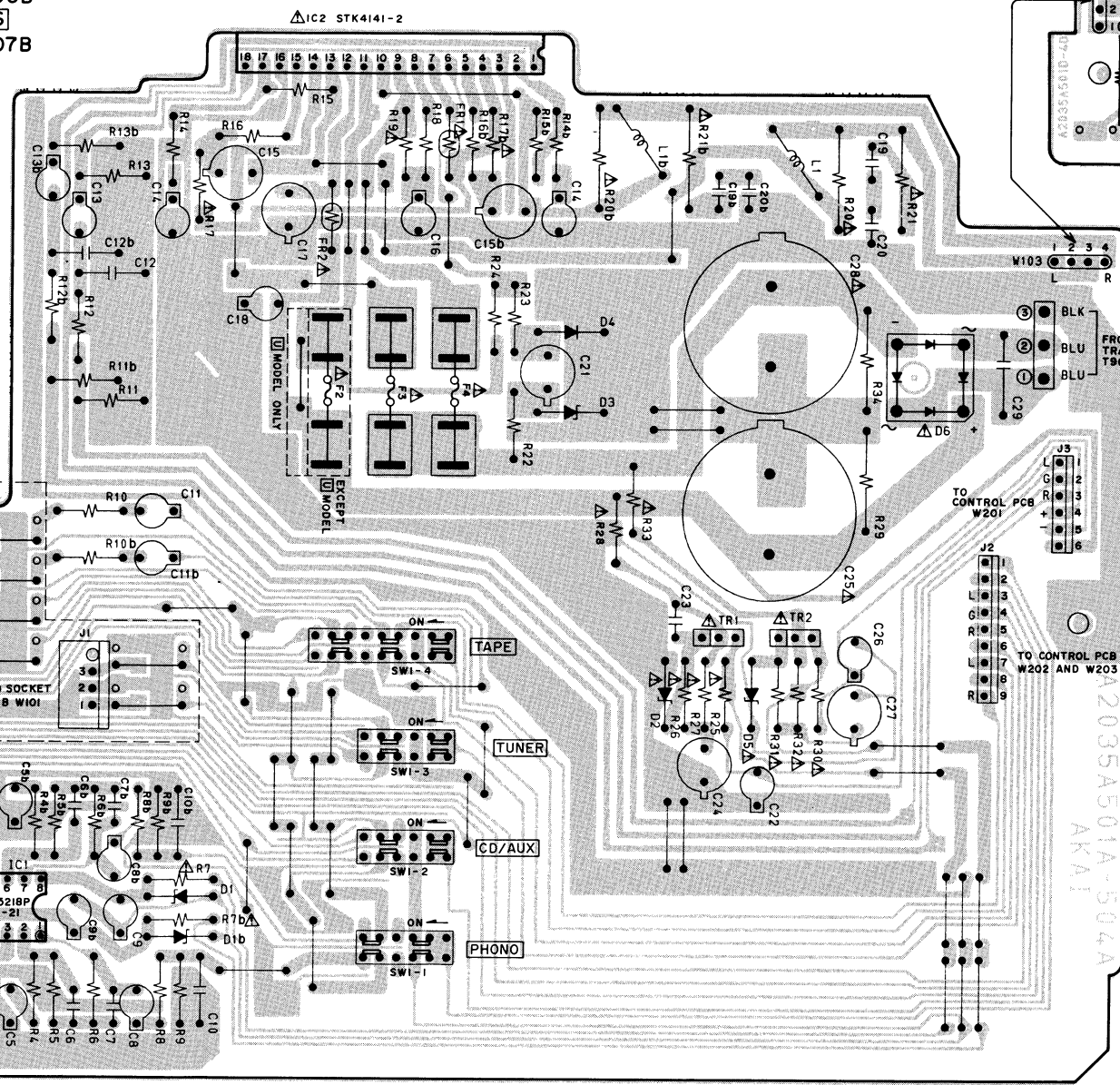
TRI--- 2SC3383 (S,T)
ECB
2SC3383



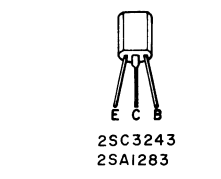
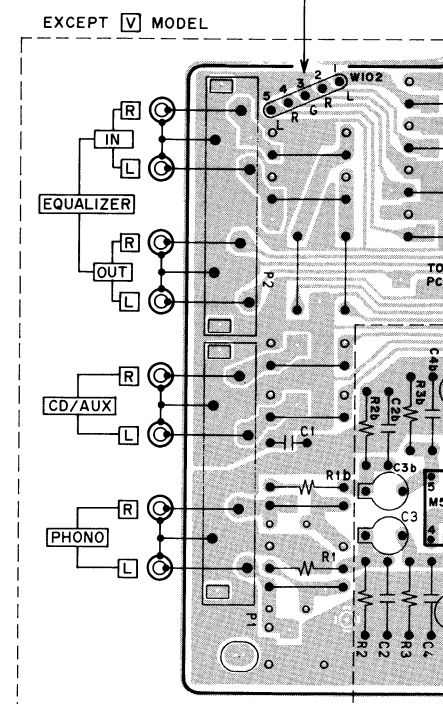
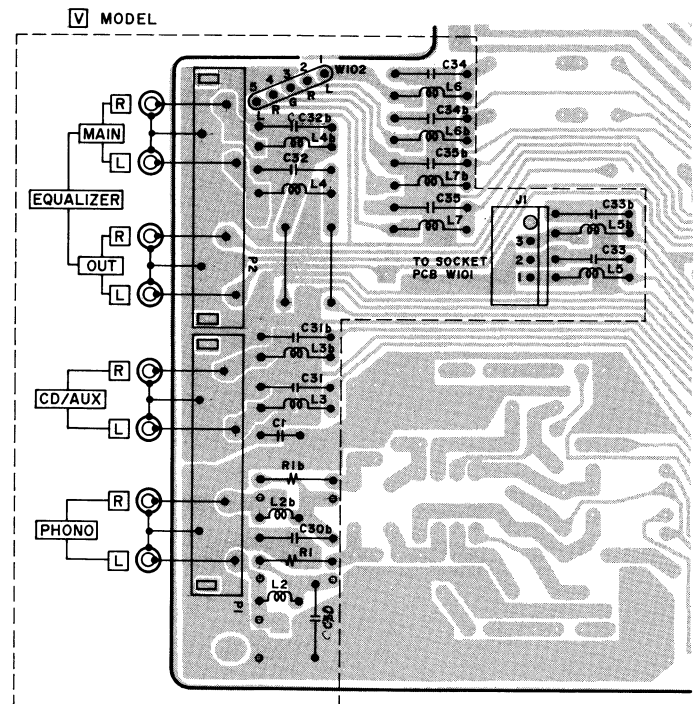
SOCKET PCB A2035A501F [U]
502F [C,A]
503F [E,B,S]
504F [V]



PLUG PCB A2035A501E [U]
502E [C,A]
503E [E,B,S]
504E [V]

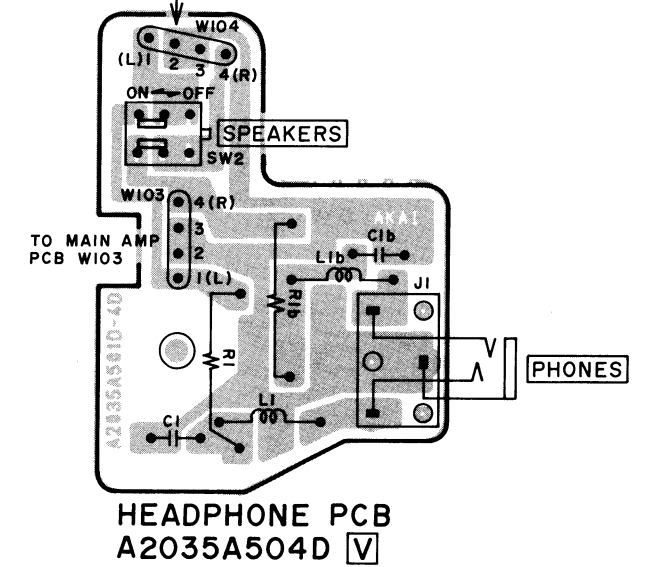
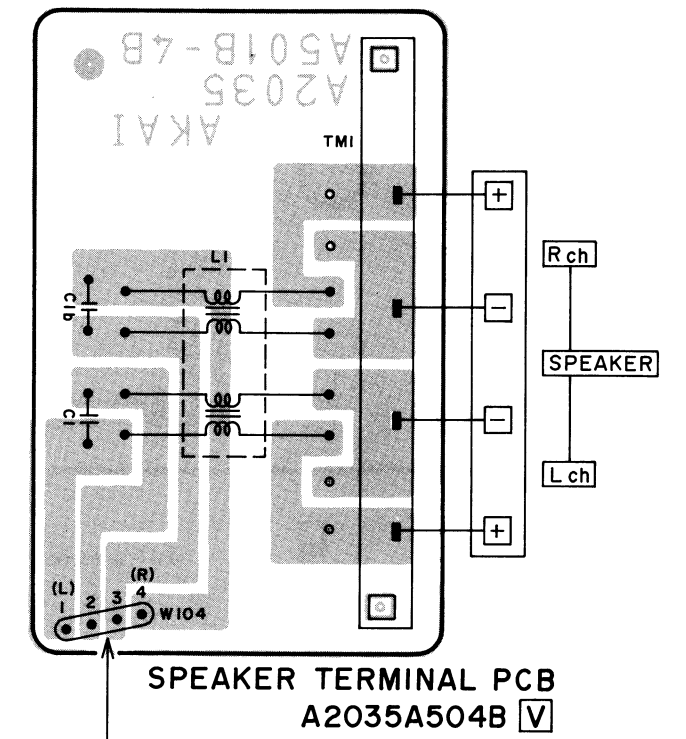
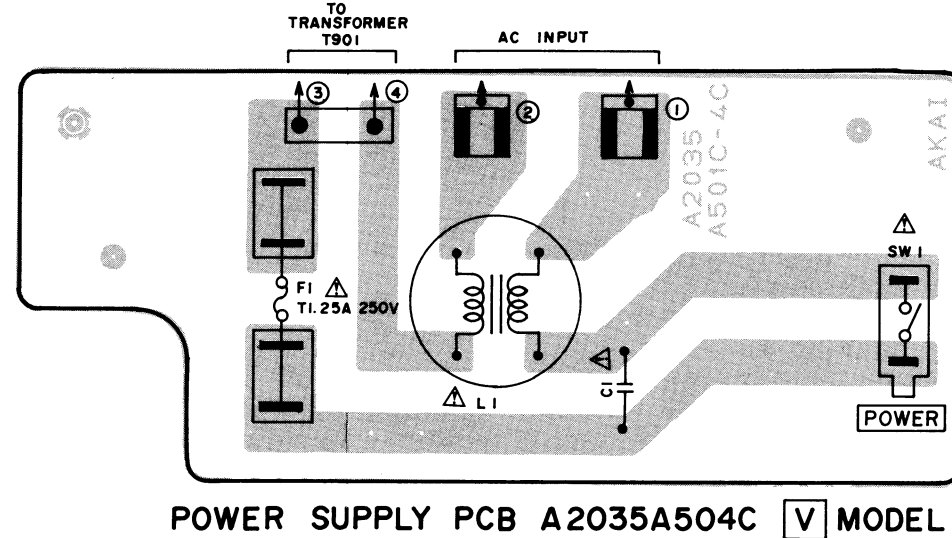
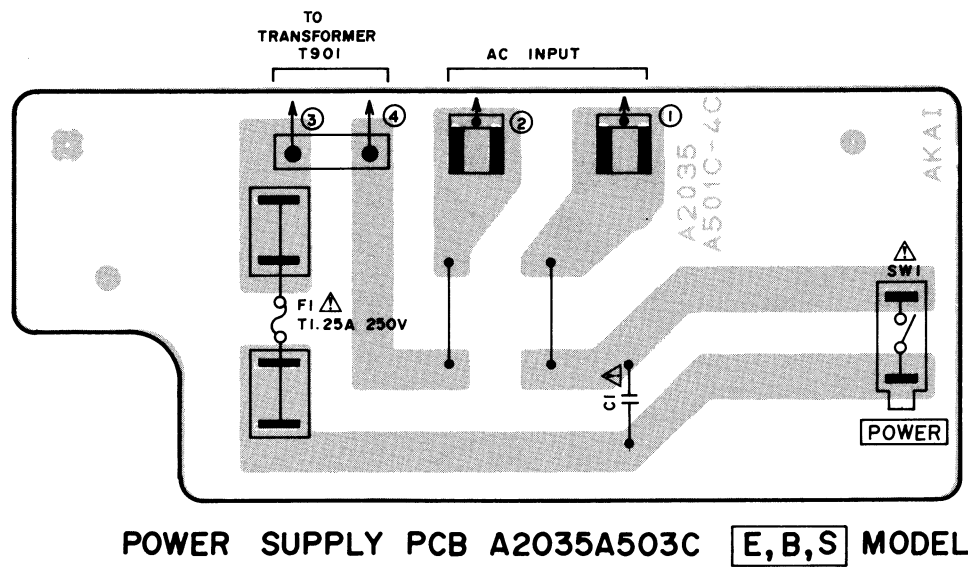
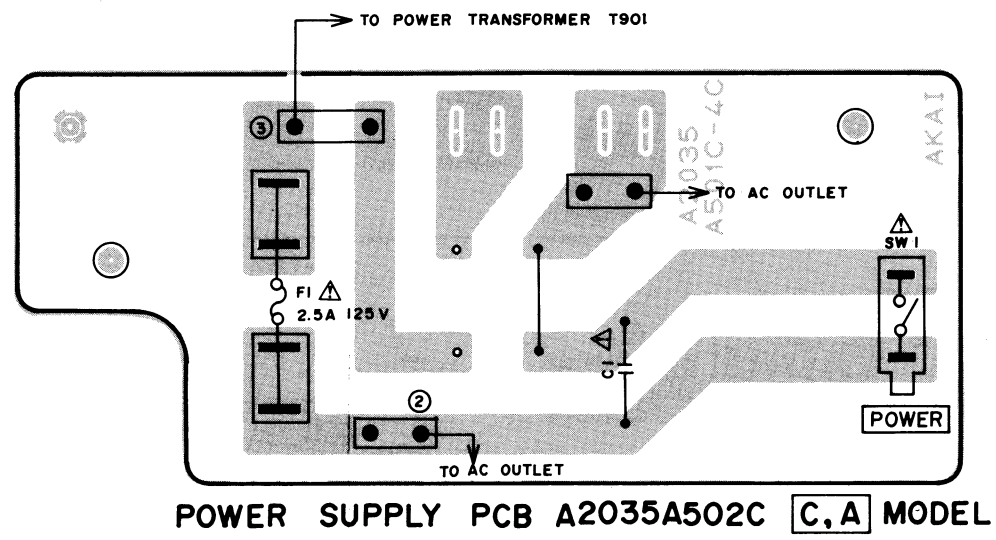
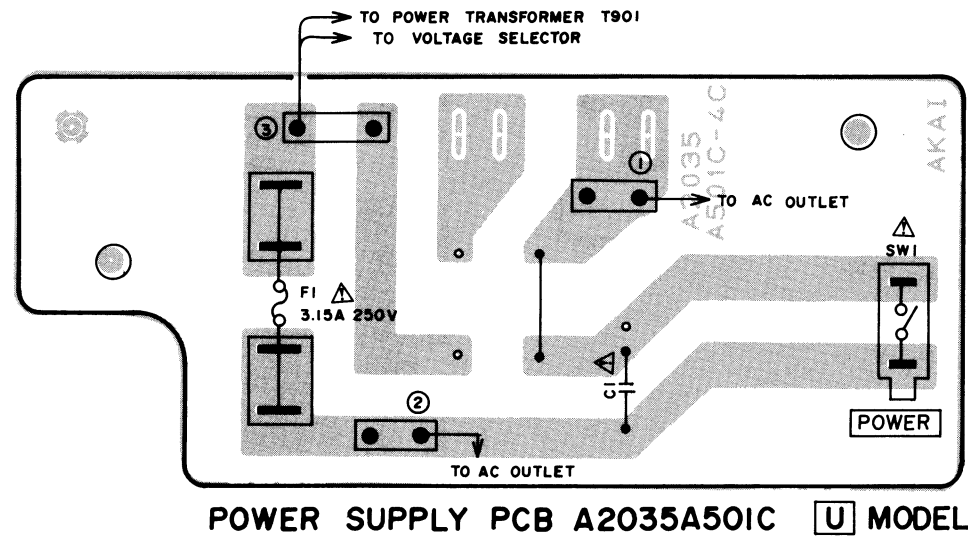


MAIN AMP PCB A2035A501A [U] 502A [C,A] 503A [E,B,S] 504A [V]



TRI--- 2SC3243 (D,E)
TR2---2SA1283 (D,E)

WARNING: Δ INDICATES SAFETY CRITICAL COMPONENTS. FOR CONTINUED SAFETY, REPLACE SAFETY CRITICAL COMPONENTS ONLY WITH MANUFACTURER'S RECOMMENDED PARTS.
AVERTISSEMENT: Δ IL INDIQUE LES COMPOSANTS CRITIQUES DE SÉCURITÉ. POUR MAINTENIR LE DEGRÉ DE SÉCURITÉ DE L'APPAREIL, NE REMPLACER QUE DES PIÈCES RECOMMANDÉES PAR LE FABRICANT.



WARNING: ⚠ INDICATES SAFETY CRITICAL COMPONENTS FOR CONTINUED SAFETY. REPLACE SAFETY CRITICAL COMPONENTS ONLY WITH MANUFACTURER'S RECOMMENDED PARTS.

AVERTISSEMENT: ⚠ IL INDIQUE LES COMPOSANTS CRITIQUES DE SÉCURITÉ. POUR MAINTENIR LE DEGRÉ DE SÉCURITÉ DE L'APPAREIL, NE REMPLACER QUE DES PIÈCES RECOMMANDÉES PAR LE FABRICANT.