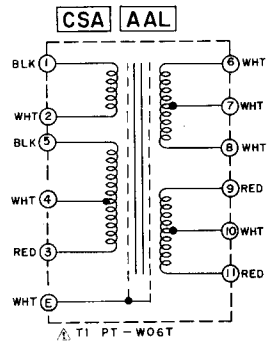
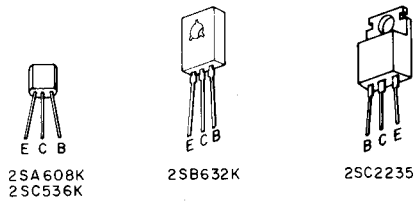


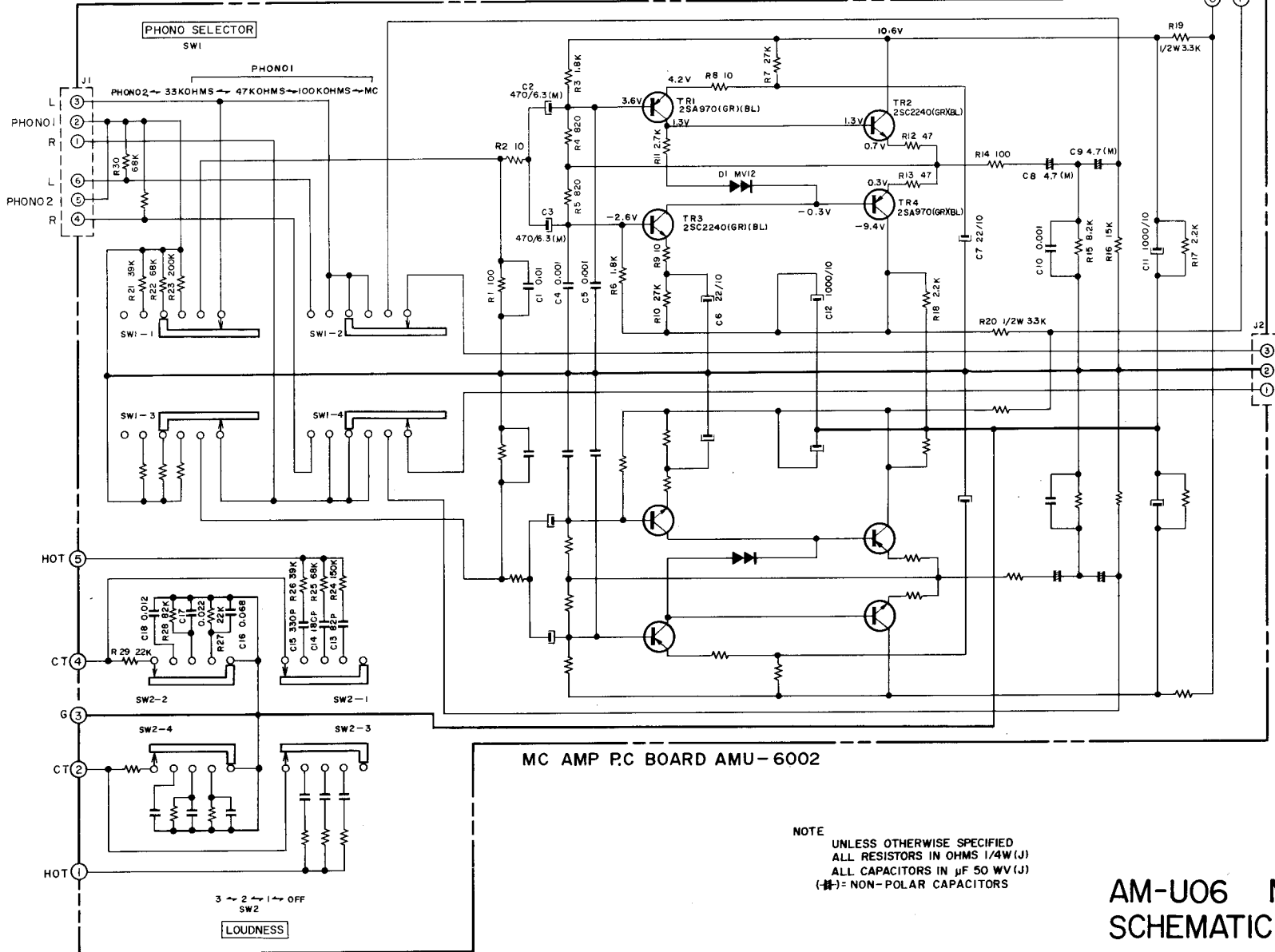
PULSE POWER SUPPLY P.C BOARD AMU-6004A



NOTE
UNLESS OTHERWISE SPECIFIED
ALL RESISTORS IN OHMS 1/4W(J)
ALL CAPACITORS IN μ F 50 WV(J)
(-)-NON-POLAR CAPACITORS

WARNING: Δ INDICATES SAFETY CRITICAL COMPONENTS FOR CONTINUED SAFETY.
REPLACE SAFETY CRITICAL COMPONENTS ONLY WITH MANUFACTURER'S
RECOMMENDED PARTS
AVERTISSEMENT: Δ IL INDIQUE LES COMPOSANTS CRITIQUES DE SURETE POUR
MANTENIR LE DEGRÉ DE SECURITE DE L'APPAREIL. NE REMPLACER LES
COMPOSANTS DONT LE FONCTIONNEMENT EST CRITIQUE POUR LA SECURITE
QUE PAR DES PIÈCES RECOMMANDÉES PAR LE FABRICANT

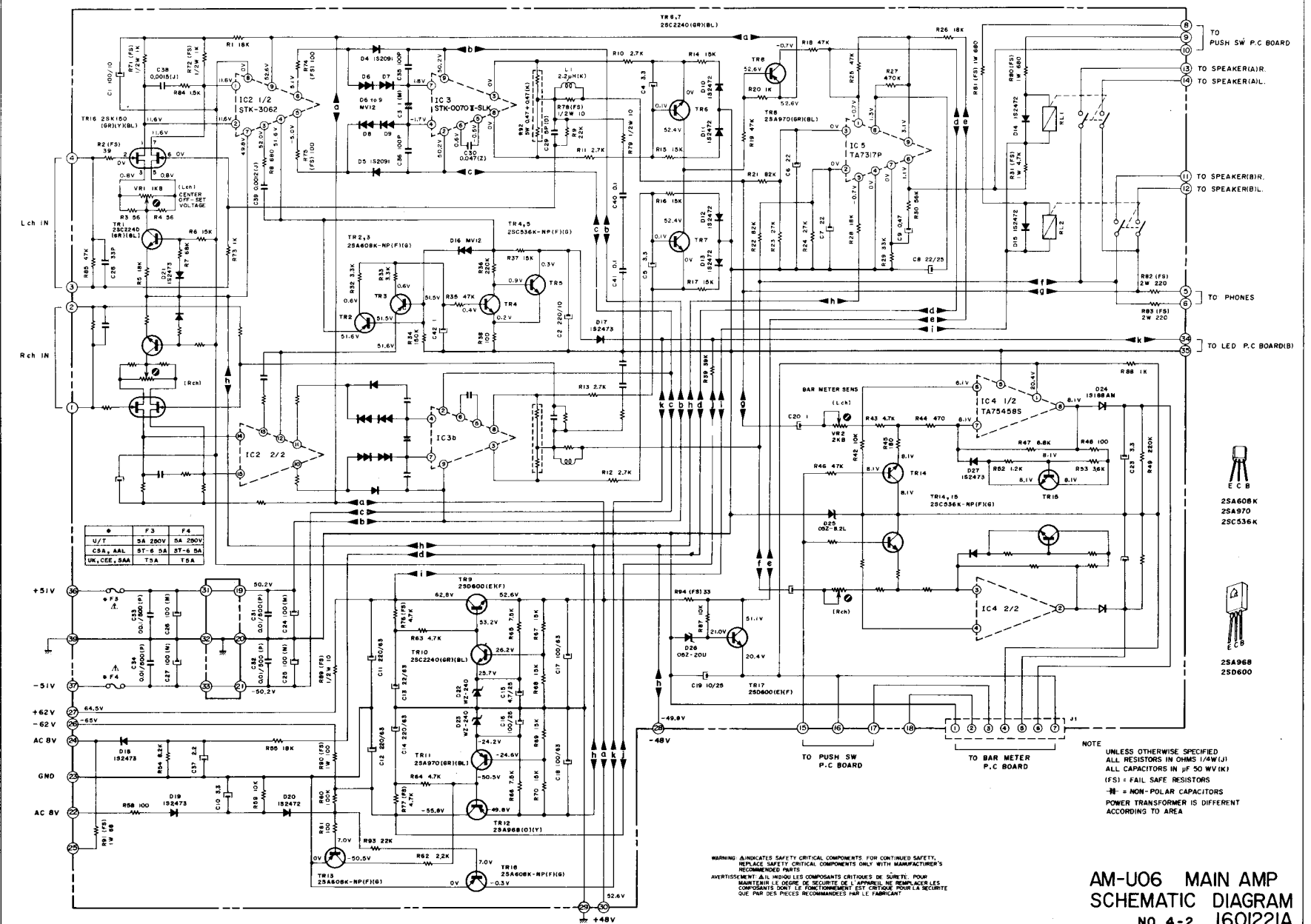
AM-U06
PULSE POWER
SCHEMATIC DIAGRAM
NO.4-3 1601222A



MC AMP P.C BOARD AMU-6002

NOTE
 UNLESS OTHERWISE SPECIFIED
 ALL RESISTORS IN OHMS 1/4W(J)
 ALL CAPACITORS IN μF 50 WV(J)
 (-) = NON-POLAR CAPACITORS

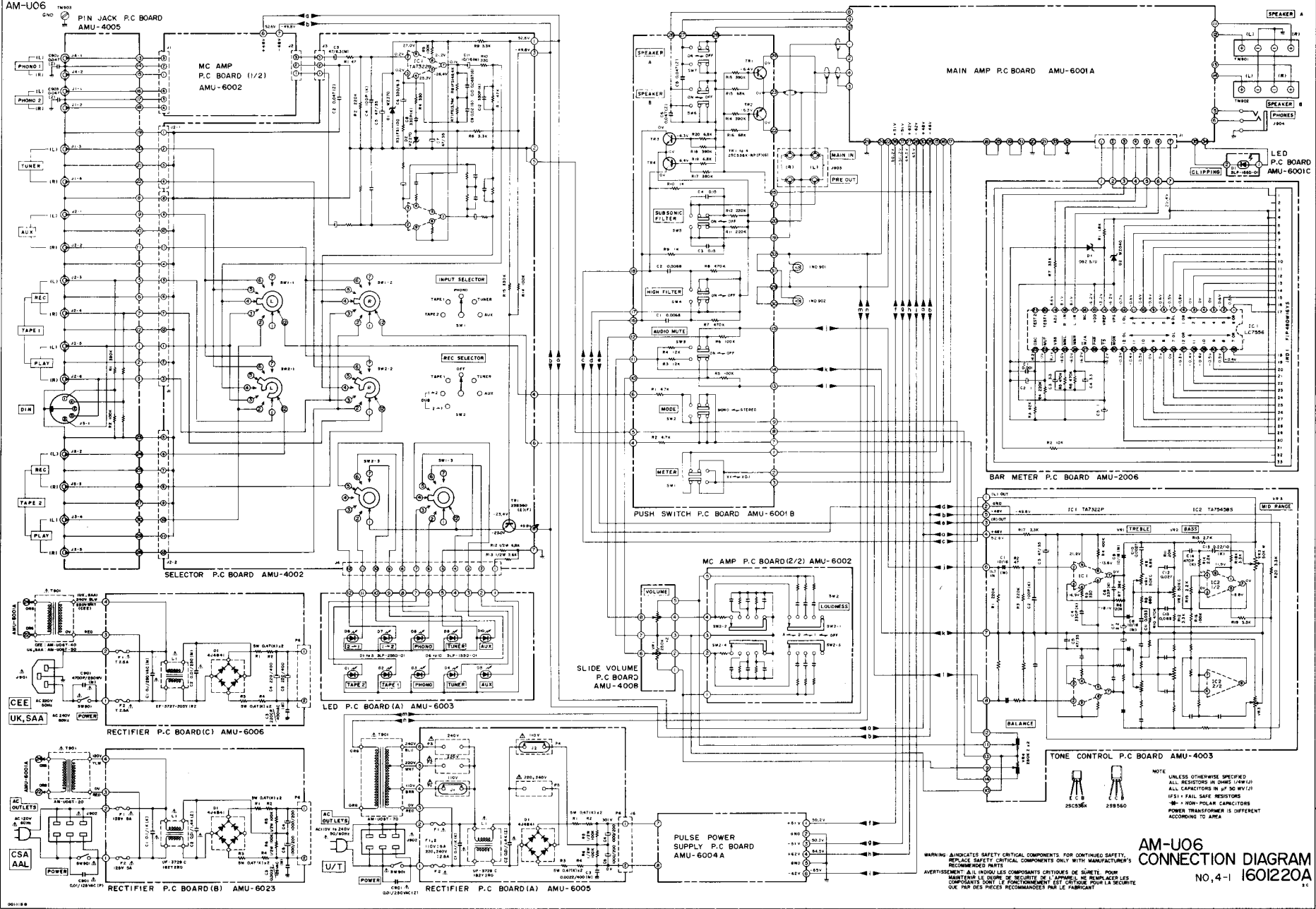
AM-U06 MC AMP
 SCHEMATIC DIAGRAM
 No. 4-4 1601223A



NOTE
UNLESS OTHERWISE SPECIFIED
ALL RESISTORS IN OHMS 1/4W(1)
ALL CAPACITORS IN μ F 50 WV(K)
(FS) = FAIL SAFE RESISTORS
- = NON-POLAR CAPACITORS
POWER TRANSFORMER IS DIFFERENT
ACCORDING TO AREA

WARNING: INDICATES SAFETY CRITICAL COMPONENTS FOR CONTINUED SAFETY.
REPLACE SAFETY CRITICAL COMPONENTS ONLY WITH MANUFACTURER'S
RECOMMENDED PARTS
AVERTISSEMENT: ALL INDICATES COMPOSANTS CRITIQUES DE SURETE. POUR
MANTENIR LE DEGRE DE SECURITE DE L'APPAREIL, NE REMPLACEZ LES
COMPOSANTS DONT LE FONCTIONNEMENT EST CRITIQUE POUR LA SECURITE
QUE PAR DES PIECES RECOMMANDEES PAR LE FABRICANT

AM-U06 MAIN AMP
SCHEMATIC DIAGRAM
No. 4-2 160122IA



WARNING: INDICATES SAFETY CRITICAL COMPONENTS FOR CONTINUED SAFETY. REPLACE SAFETY CRITICAL COMPONENTS ONLY WITH MANUFACTURER'S RECOMMENDED PARTS.

AVERTISSEMENT: ALL INDICATES COMPOSANTS CRITIQUES DE SURETE. NE REMPLACEZ LES COMPOSANTS QUE PAR DES PIÈCES RECOMMANDÉES PAR LE FABRICANT.

AM-U06 CONNECTION DIAGRAM
NO. 4-1 1601220A

NOTE
UNLESS OTHERWISE SPECIFIED
ALL RESISTORS IN OHMS (AWW)
ALL CAPACITORS IN PF (WV)
IF 51 - FAIL SAFE RESISTORS
-80 - NON-POLAR CAPACITORS
POWER TRANSFORMER IS DIFFERENT
ACCORDING TO AREA