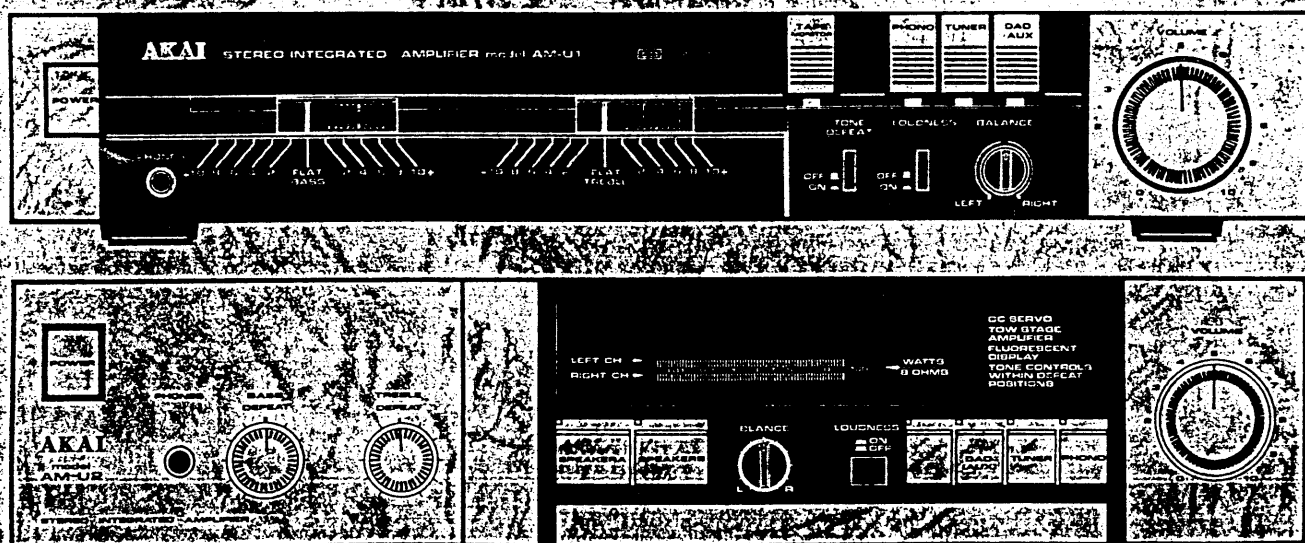


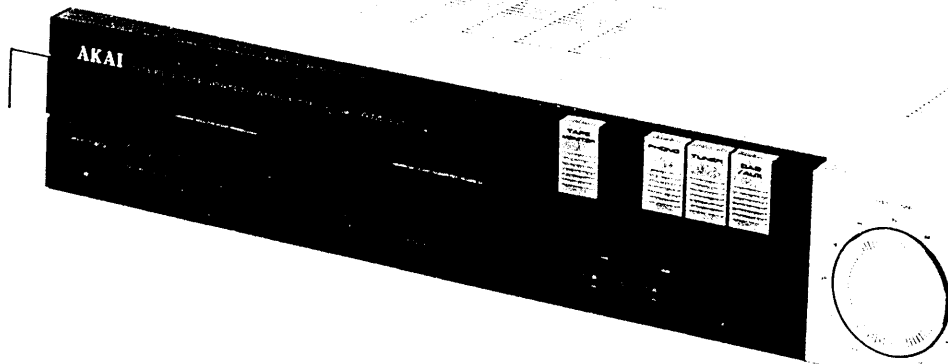
# AKAI SERVICE MANUAL



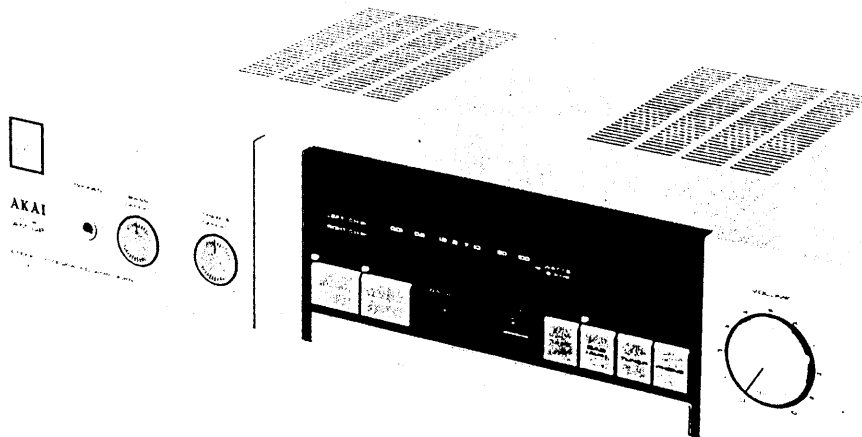
STEREO INTEGRATED AMPLIFIER

AM-U1

MODEL AM-U2/F



AM-U1



AMU2/F

STEREO INTEGRATED AMPLIFIER  
**AM-U1**  
 MODEL **AM-U2/F**

|           |                                    |    |
|-----------|------------------------------------|----|
| SECTION 1 | MODEL AM-U1 SERVICE MANUAL .....   | 3  |
| SECTION 2 | MODEL AM-U2/F SERVICE MANUAL ..... | 13 |
| SECTION 3 | PARTS LIST .....                   | 27 |
| SECTION 4 | SCHEMATIC DIAGRAM .....            | 37 |

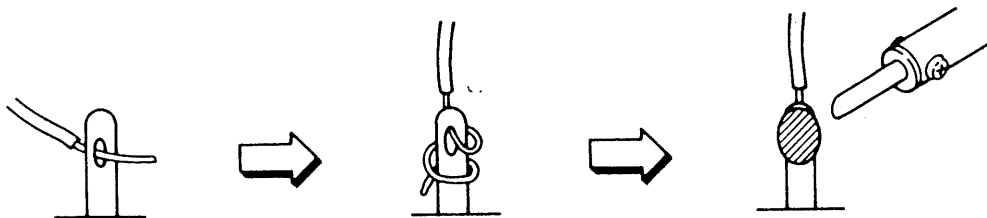
# SAFETY INSTRUCTIONS

## SAFETY CHECK AFTER SERVICING

Confirm the specified insulation resistance between power cord plug prongs and externally exposed parts of the set is greater than 10 Mohms, but for equipment with external antenna terminals (tuner, receiver, etc.) and is intended for **C** or **A**, specified insulation resistance should be more than 2.2 Mohms (ground terminals, microphone jacks, headphone jacks, line-in-out jacks etc.)

## PRECAUTIONS DURING SERVICING

1. Parts identified by the  $\Delta$  symbol parts are critical for safety.  
Replace only with parts number specified.
2. In addition to safety, other parts and assemblies are specified for conformance with such regulations as those applying to spurious radiation. These must also be replaced only with specified replacements.  
Examples: RF converters, tuner units, antenna selector switches, RF cables, noise blocking capacitors, noise blocking filters, etc.
3. Use specified internal wiring. Note especially:
  - 1) Wires covered with PVC tubing
  - 2) Double insulated wires
  - 3) High voltage leads
4. Use specified insulating materials for hazardous live parts. Note especially:
  - 1) Insulation Tape
  - 2) PVC tubing
  - 3) Spacers (Insulating Barriers)
  - 4) Insulation sheets for transistors
  - 5) Plastic screws for fixing microswitch (especially in turntable)
5. When replacing AC primary side components (transformers, power cords, noise blocking capacitors, etc.), wrap ends of wires securely about the terminals before soldering.



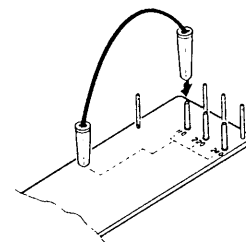
6. Observe that wires do not contact heat producing parts (heatsinks, oxide metal film resistors, fusible resistors, etc.).
7. Check that replaced wires do not contact sharp edged or pointed parts.
8. Also check areas surrounding repaired locations.
9. Use care that foreign objects (screws, solder droplets, etc.) do not remain inside the set.

### 10. Voltage Conversion MODEL AM-U1 only

Models for Canada, USA, Europe, UK and Australia are not equipped with this facility.

Each machine is preset at the factory according to destination, but some machines can be set to 110-120V, 220V or 240V as required. If voltage change is necessary, this can be accomplished as follows.

- 1) Disconnect the power cord.
- 2) Loosen the holding screws and remove the top panel.
- 3) Remove the Line Voltage wire and fit onto proper pins, explicitly following the printed instructions.



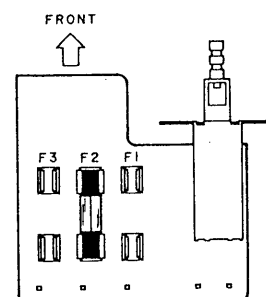
### 11. Voltage Conversion MODEL AM-U2/F only

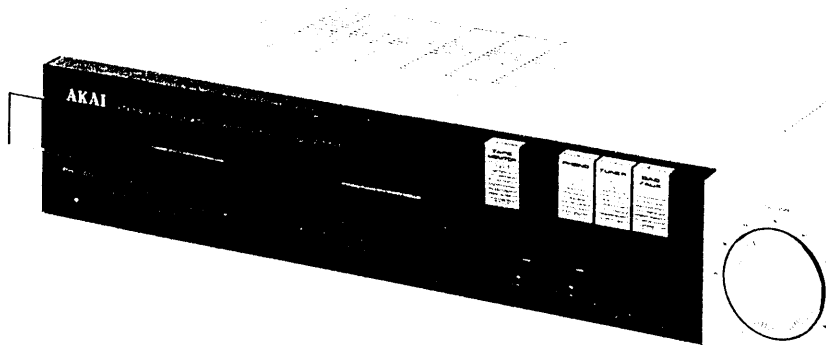
Models for Canada, USA, Europe, UK and Australia are not equipped with this facility.

Each machine is preset at the factory according to destination, but some machines can be set to 110V, 220V or 240V as required. If voltage change is necessary, this can be accomplished as follows.

- 1) Disconnect the power cord.
- 2) Loosen the holding screws and remove the top panel.
- 3) Remove the Line Voltage Fuse and insert the required Line Voltage Fuse onto the proper Fuse Holder, explicitly following the printed instructions.

110V AREA F1 250V 2.5A  
220V AREA F2 250V 1.25A  
240V AREA F3 250V 1.25A





SECTION 1

**SERVICE MANUAL**

**MODEL AM-U1**

TABLE OF CONTENTS

|   |   |
|---|---|
| I. SPECIFICATIONS .....                             | 4 |
| II. DISMANTLING OF UNIT .....                       | 5 |
| III. CONTROLS .....                                 | 6 |
| IV. PRINCIPAL PARTS LOCATION .....                  | 7 |
| V. CLASSIFICATION OF VARIOUS P.C BOARDS .....       | 8 |
| 1. P.C BOARD TITLES AND IDENTIFICATION NUMBER ..... | 8 |
| 2. COMPOSITION OF VARIOUS P.C BOARDS .....          | 9 |

For basic adjustments, measuring methods, and operating principles, refer to GENERAL TECHNICAL MANUAL.

# I. SPECIFICATIONS

## POWER AMPLIFIER SECTION

|   |  |
|---|--|
| RATED POWER OUTPUT<br>(2 CHANNELS DRIVEN)<br>40 to 20,000 Hz<br>1 kHz | 8 ohms<br>22W x 2/0.3 %<br>25W x 2/0.3 % |
| POWER BANDWIDTH<br>(IHF -3 dB, 8 ohms)                                | 10 Hz to 30 kHz/0.3 %                    |
| SIGNAL TO NOISE RATIO (IHF-A)<br>PHONO<br>AUX                         | 70 dB<br>90 dB                           |
| RESIDUAL NOISE (8 ohms)   | 1.3 mV                                   |
| CHANNEL SEPARATION<br>(IHF, 1 kHz)                                    | 40 dB (1 kHz)/36 dB (10 kHz)             |
| DAMPING FACTOR<br>(1 kHz, 8 ohms)                                     | 27                                       |
| OUTPUT IMPEDANCE<br>SPEAKERS<br>HEADPHONES                            | 4 to 16 ohms<br>4 to 16 ohms             |

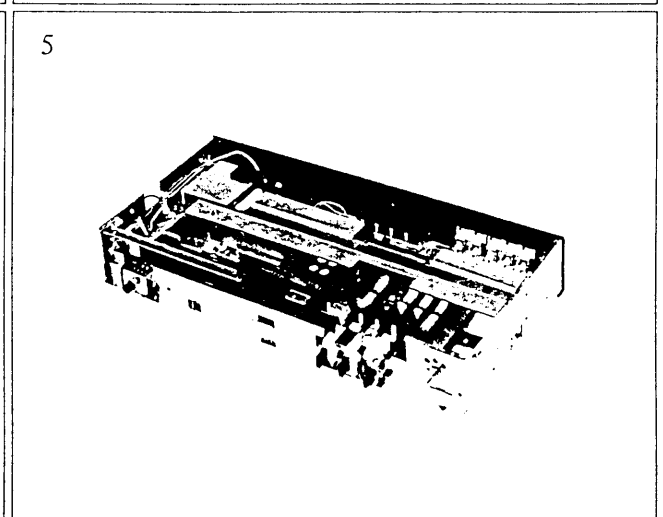
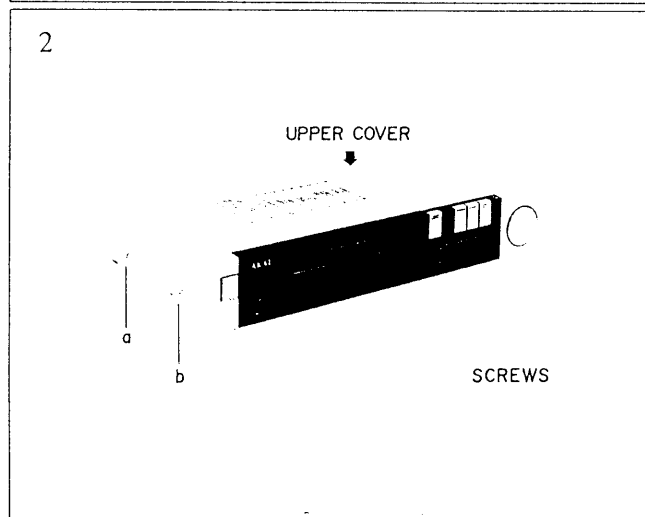
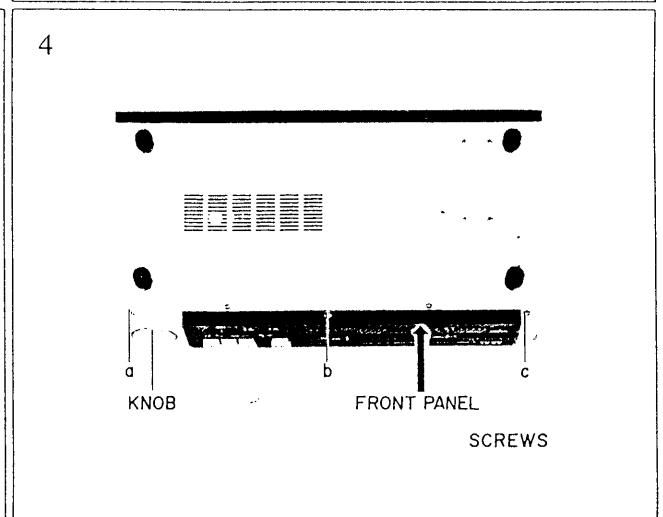
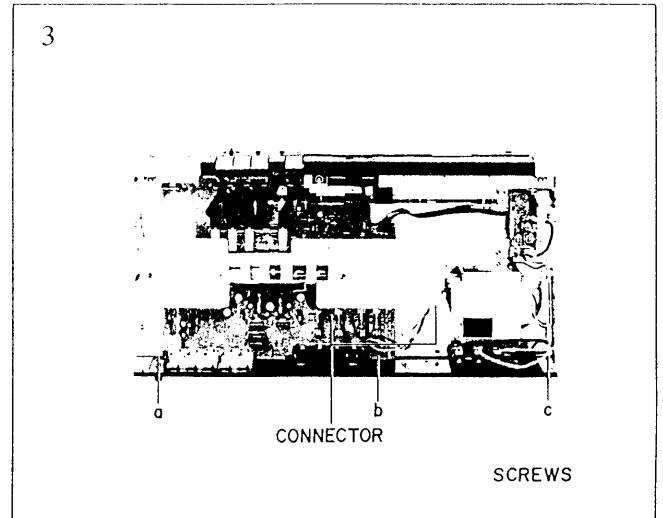
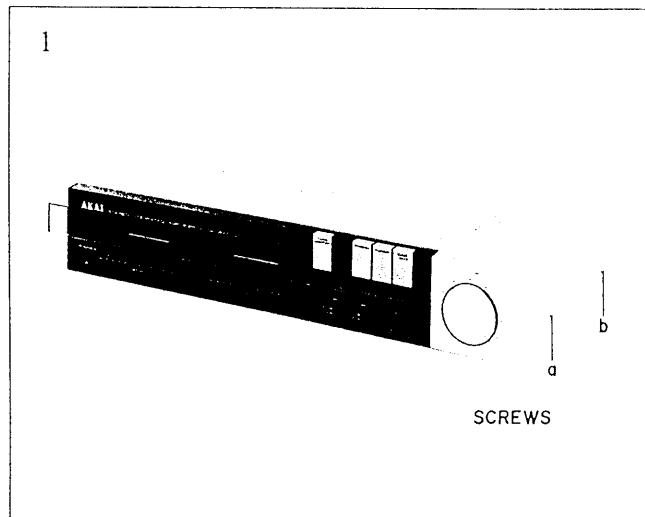
## PREAMPLIFIER SECTION

|  |   |
|--|---|
| INPUT SENSITIVITY/IMPEDANCE<br>PHONO<br>AUX<br>TUNER<br>TAPE | 2.5 mV/47 kohms<br>150 mV/47 kohms<br>150 mV/47 kohms<br>150 mV/47 kohms  |
| OUTPUT LEVEL/IMPEDANCE<br>TAPE REC                           | (PIN) 150 mV/2 kohms  |
| FREQUENCY RESPONSE<br>PHONO<br>(RIAA DEVIATION)              | ±1 dB   |
| TONE CONTROL<br>BASS<br>TREBLE                               | ±8 dB 100 Hz<br>±6 dB 10 kHz  |
| LOUDNESS CONTROL<br>(VOLUME SET AT -30 dB POSITION)          | +10 dB (100 Hz), +6 dB (10 kHz)   |
| PHONO MAX. INPUT LEVEL<br>(1 kHz)                            | 120 mV  |
| POWER REQUIREMENT  | 120V, 60 Hz for USA and Canada<br>220V, 50 Hz for Europe except UK<br>240V, 50 Hz for UK and Australia<br>110-120V/220V/240V, 50/60 Hz internally switchable for other countries. |
| POWER CONSUMPTION  | 110W U.A.C models   |
| DIMENSIONS   | 440 (W) x 80 (H) x 246 (D) mm<br>(17.3 x 3.0 x 9.7 inches)  |
| WEIGHT   | 4.6 kg (10.1 lbs)   |

\* For improvement purposes, specifications and design are subject to change without notice.

## II. DISMANTLING OF UNIT

In case of trouble, etc. necessitating dismantling, please dismantle in the order shown in the photographs. Reassemble in reverse order.



For Service Manuals  
MAURITRON SERVICES  
8 Cherry Tree Road, Chinnor  
Oxfordshire, OX9 4QY.  
Tel (01844) 351694  
Fax (01844) 352554  
email:- sales@mauritron.co.uk

### III. CONTROLS

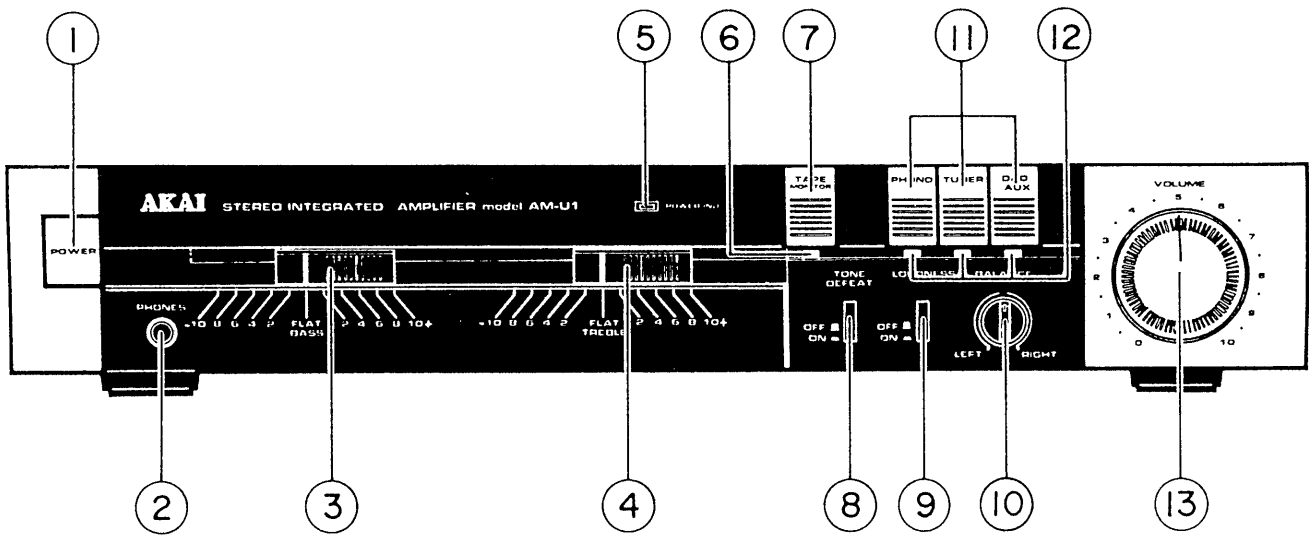


Fig. 3-1 Front View

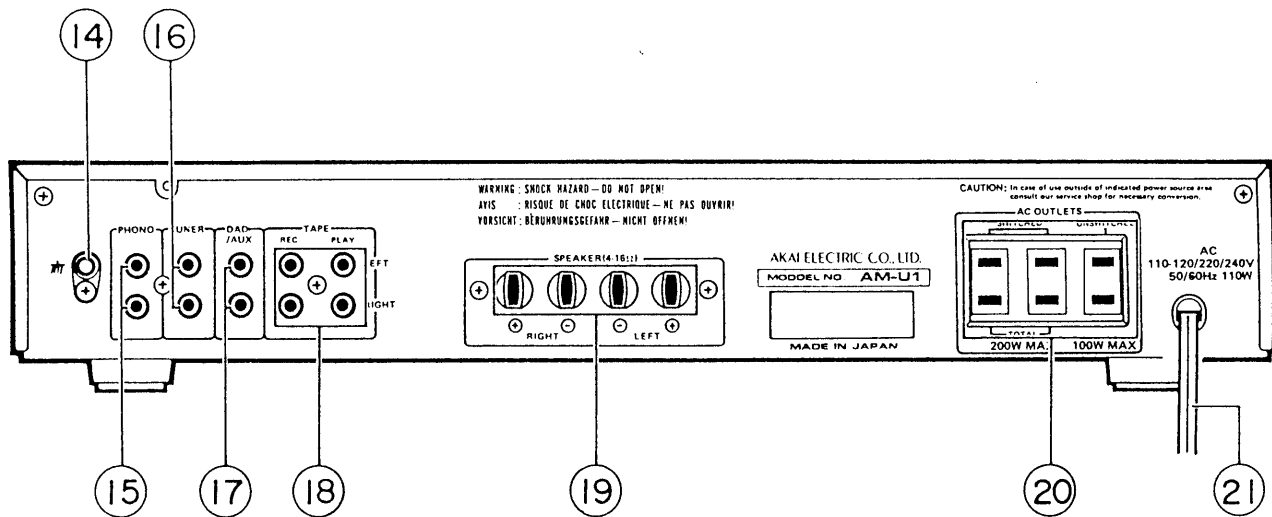


Fig. 3-2 Rear View

- |   |  |
|---|--|
| 1. POWER SWITCH   | 12. INPUT SELECTOR INDICATORS          |
| 2. PHONES JACK  | 13. VOLUME CONTROL                     |
| 3. BASS CONTROL   | 14. GND TERMINAL                       |
| 4. TREBLE CONTROL   | 15. PHONO JACKS                        |
| 5. POWER INDICATOR  | 16. TUNER JACKS                        |
| 6. TAPE MONITOR INDICATOR                                 | 17. DAD/AUX JACKS                      |
| 7. TAPE MONITOR SWITCH                                    | 18. TAPE REC/PLAY JACKS                |
| 8. TONE DEFEAT SWITCH                                     | 19. SPEAKER TERMINALS (LEFT and RIGHT) |
| 9. LOUDNESS SWITCH  | 20. AC OUTLETS (U   A   C MODEL ONLY)  |
| 10. BALANCE CONTROL                                       | 21. AC POWER CORD                      |
| 11. INPUT SOURCE SELECTORS<br>(PHONO, TUNER, and DAD/AUX) |  |

# IV. PRINCIPAL PARTS LOCATION

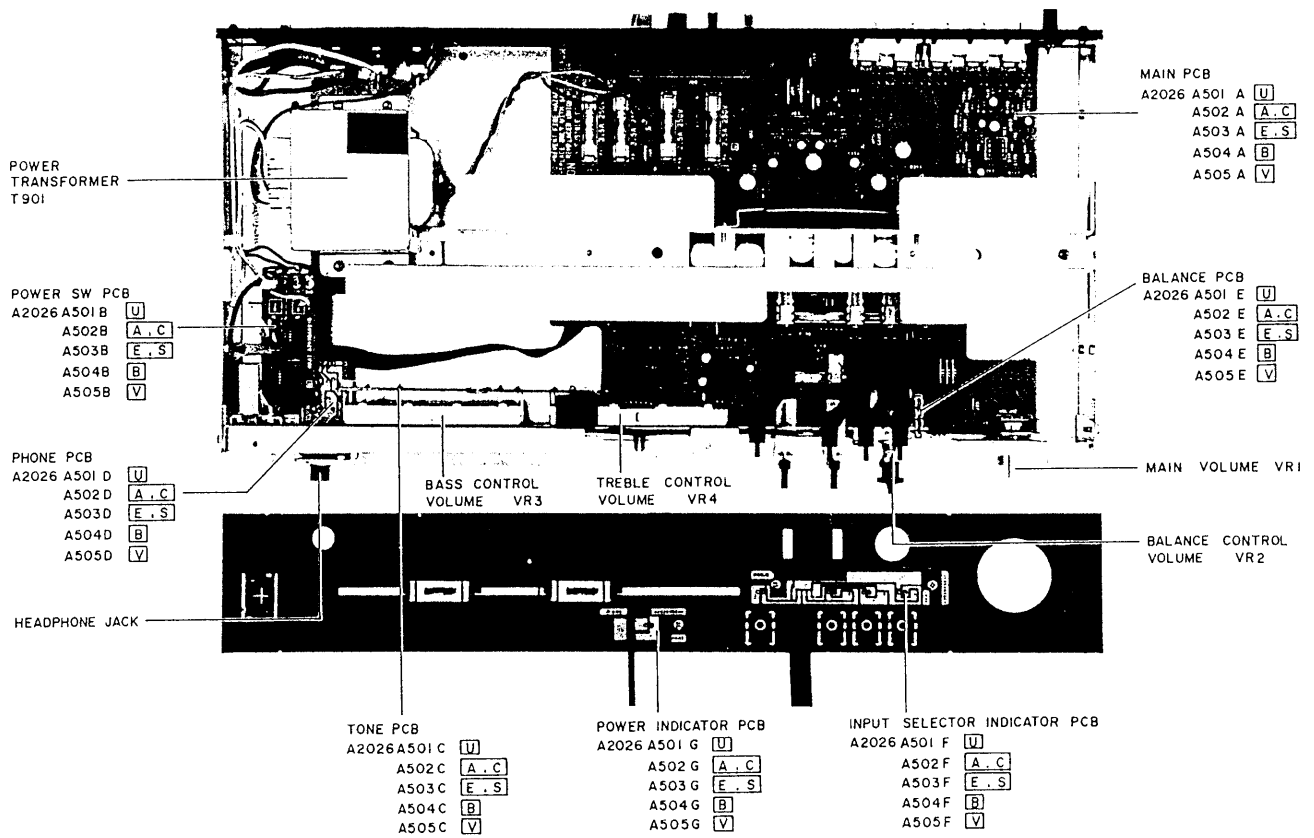


Fig. 4 Top View



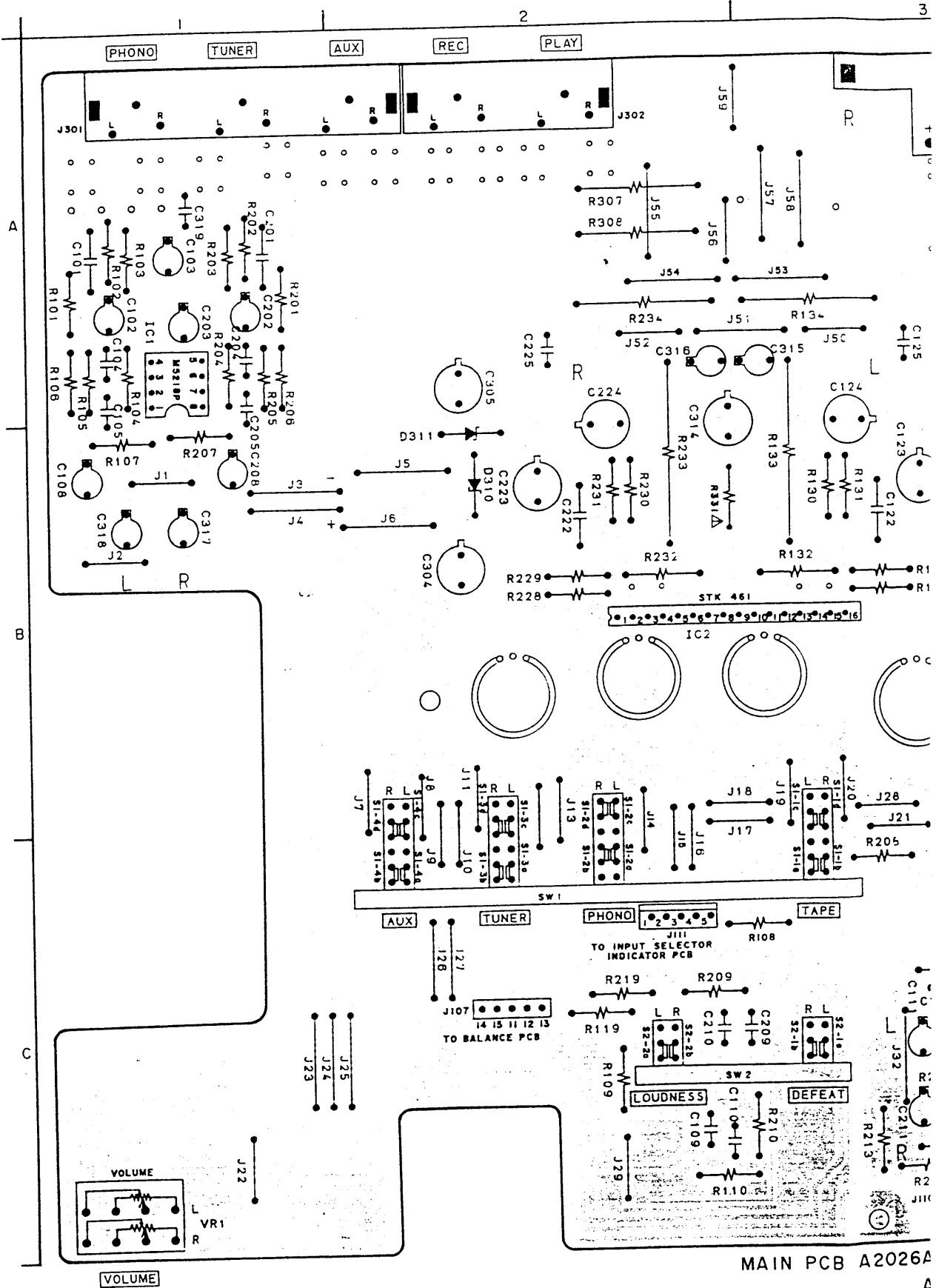
## V. CLASSIFICATION OF VARIOUS P.C BOARD

### 5-1. MODEL AM-U1 P.C BOARD TITLES AND IDENTIFICATION NUMBER

| P.C BOARD TITLE          |           | P.C BOARD NUMBER | REMARKS |
|--------------------------|-----------|------------------|---------|
| MAIN                     | P.C Board | A2026A501A       | U       |
| MAIN                     | P.C Board | A2026A502A       | C , A   |
| MAIN                     | P.C Board | A2026A503A       | E , S   |
| MAIN                     | P.C Board | A2026A504A       | B       |
| MAIN                     | P.C Board | A2026A505A       | V       |
| POWER SW                 | P.C Board | A2026A501B       | U       |
| POWER SW                 | P.C Board | A2026A502B       | C , A   |
| POWER SW                 | P.C Board | A2026A503B       | E , S   |
| POWER SW                 | P.C Board | A2026A504B       | B       |
| POWER SW                 | P.C Board | A2026A505B       | V       |
| TONE                     | P.C Board | A2026A501C       | U       |
| TONE                     | P.C Board | A2026A502C       | C , A   |
| TONE                     | P.C Board | A2026A503C       | E , S   |
| TONE                     | P.C Board | A2026A504C       | B       |
| TONE                     | P.C Board | A2026A505C       | V       |
| PHONE                    | P.C Board | A2026A501D       | U       |
| PHONE                    | P.C Board | A2026A502D       | C , A   |
| PHONE                    | P.C Board | A2026A503D       | E , S   |
| PHONE                    | P.C Board | A2026A504D       | B       |
| PHONE                    | P.C Board | A2026A505D       | V       |
| BALANCE                  | P.C Board | A2026A501E       | U       |
| BALANCE                  | P.C Board | A2026A502E       | C , A   |
| BALANCE                  | P.C Board | A2026A503E       | E , S   |
| BALANCE                  | P.C Board | A2026A504E       | B       |
| BALANCE                  | P.C Board | A2026A505E       | V       |
| INPUT SELECTOR INDICATOR | P.C Board | A2026A501F       | U       |
| INPUT SELECTOR INDICATOR | P.C Board | A2026A502F       | C , A   |
| INPUT SELECTOR INDICATOR | P.C Board | A2026A503F       | E , S   |
| INPUT SELECTOR INDICATOR | P.C Board | A2026A504F       | B       |
| INPUT SELECTOR INDICATOR | P.C Board | A2026A505F       | V       |
| POWER INDICATOR          | P.C Board | A2026A501G       | U       |
| POWER INDICATOR          | P.C Board | A2026A502G       | C , A   |
| POWER INDICATOR          | P.C Board | A2026A503G       | E , S   |
| POWER INDICATOR          | P.C Board | A2026A504G       | B       |
| POWER INDICATOR          | P.C Board | A2026A505G       | V       |

## 5-2. COMPOSITION OF VARIOUS P.C BOARDS

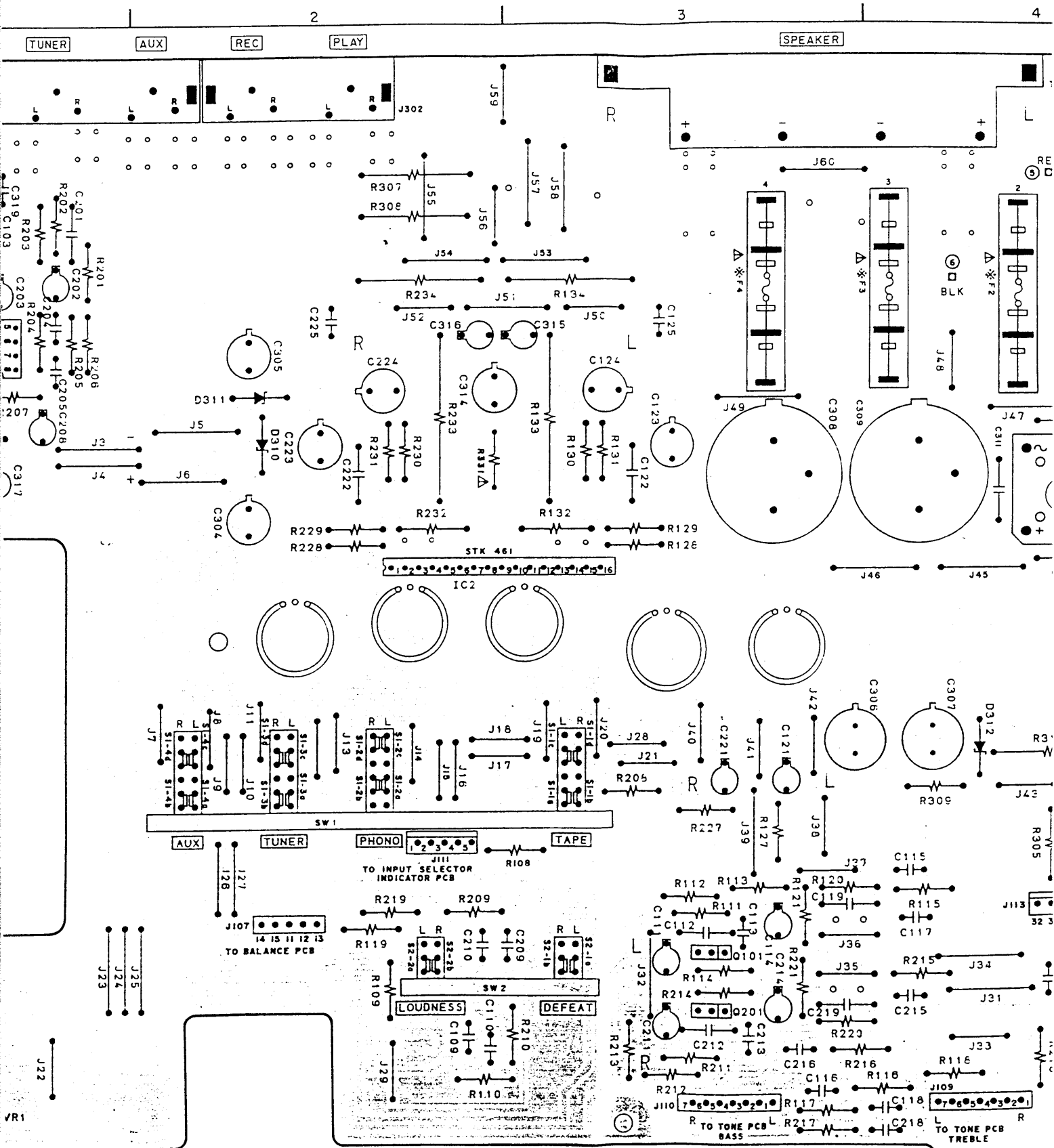
### 1) MAIN P.C BOARD A2026A501A to 504A U, C, A, E, S, B



MAIN PCB A2026A

DUS P.C BOARDS

to 504A U, C, A, E, S, B



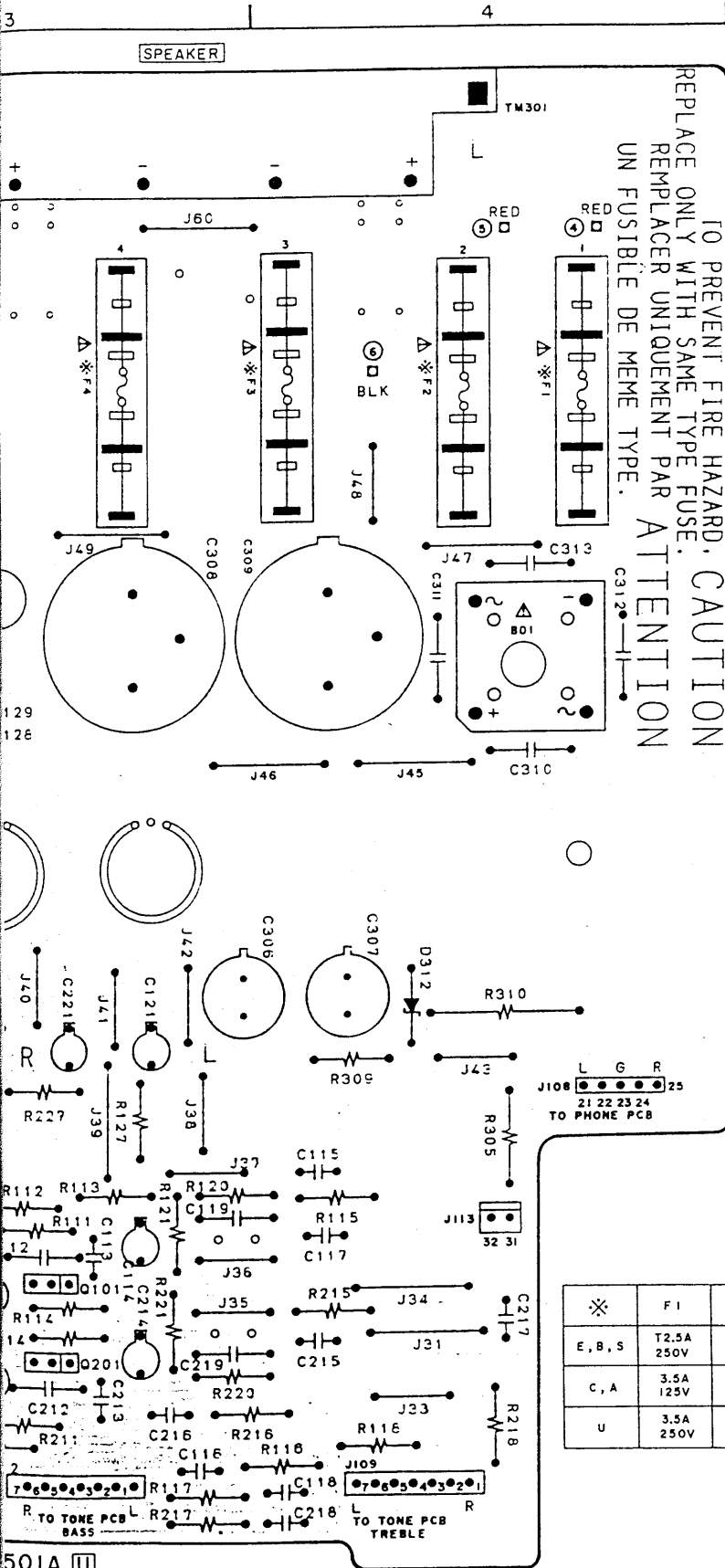
MAIN PCB A2026A501A U

A502A A,C

A503A E,S

A504A B

WARNING: Δ INDICAT  
REPLACE  
RECOMME  
AVERTISSEMENT: Δ  
POUR MAI  
NE REMPLI

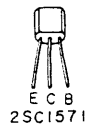


TO PREVENT FIRE HAZARD, CAUTION  
 REPLACE ONLY WITH SAME TYPE FUSE.  
 REMPLACER UNIQUEMENT PAR ATTENTION  
 UN FUSIBLE DE MEME TYPE.

LOCATION OF COMPONENTS

- TR
- Q101.....C3
- Q201.....C3
- IC
- IC1.....A1
- IC2.....B2
- CONNECTOR
- J301.....A1
- J302.....A2
- J303.....C4
- J304.....C2
- J305.....C3
- J306.....C4
- J307.....C4

Q101, 201 ..... 2SC1571 (F,G,H)



= NPN TRANSISTOR

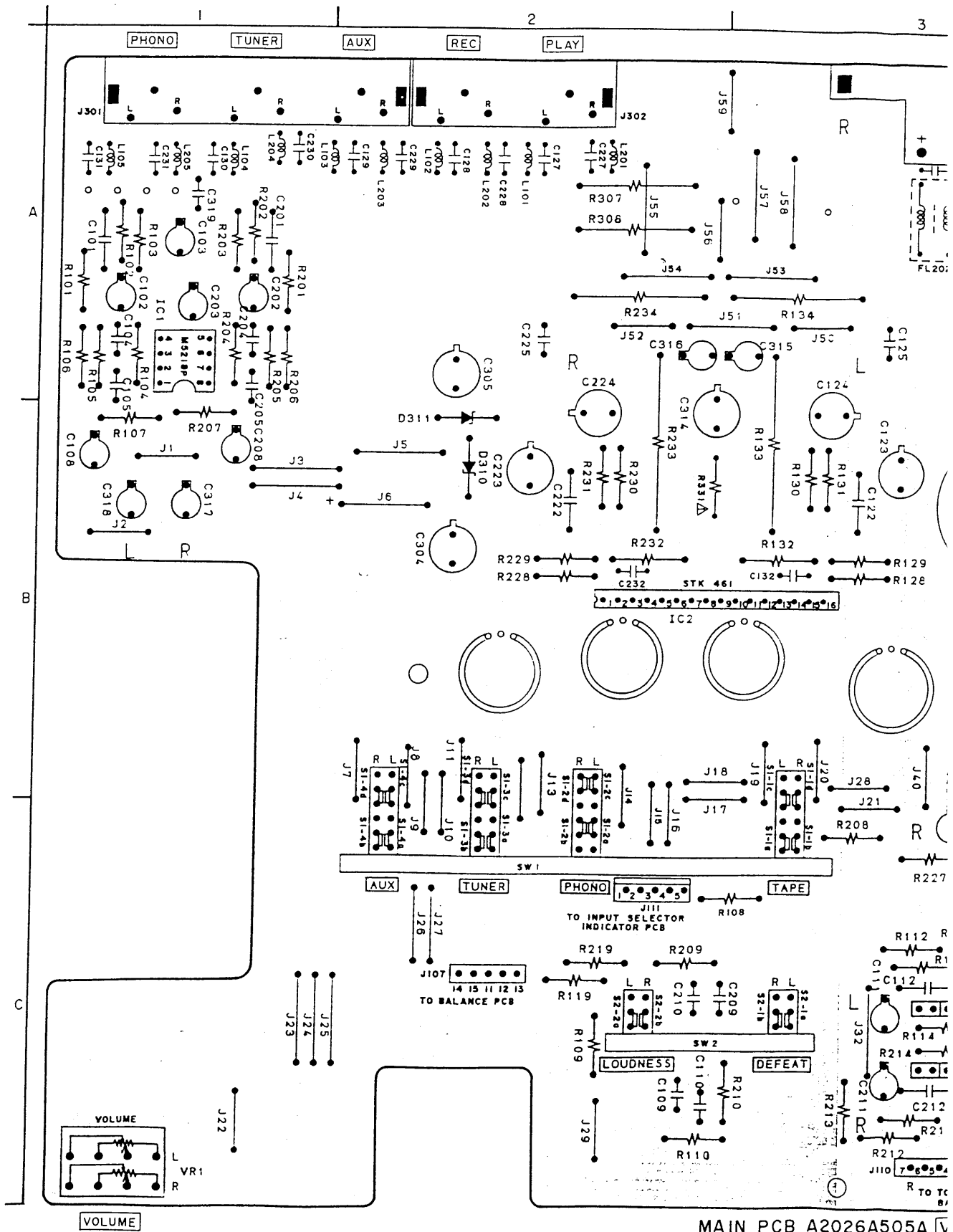
| ⊛       | F1            | F2            | F3            | F4            |
|---------|---------------|---------------|---------------|---------------|
| E, B, S | T2.5A<br>250V | T2.5A<br>250V | T2.5A<br>250V | T2.5A<br>250V |
| C, A    | 3.5A<br>125V  | 3.5A<br>125V  | 3A<br>250V    | 3A<br>250V    |
| U       | 3.5A<br>250V  | 3.5A<br>250V  | 2.5A<br>250V  | 2.5A<br>250V  |

- 501A U
- 502A A,C
- 503A E,S
- 504A B

WARNING: ⊛ INDICATES SAFETY CRITICAL COMPONENTS FOR CONTINUED SAFETY. REPLACE SAFETY CRITICAL COMPONENTS ONLY WITH MANUFACTURER'S RECOMMENDED PARTS

AVERTISSEMENT: ⊛ IL INDIQUE LES COMPOSANTS CRITIQUES DE SÉCURITÉ. POUR MAINTENIR LE DEGRÉ DE SÉCURITÉ DE L'APPAREIL, NE REMPLACER QUE DES PIÈCES RECOMMANDÉES PAR LE FABRICANT

2) MAIN P.C BOARD A2026A505A

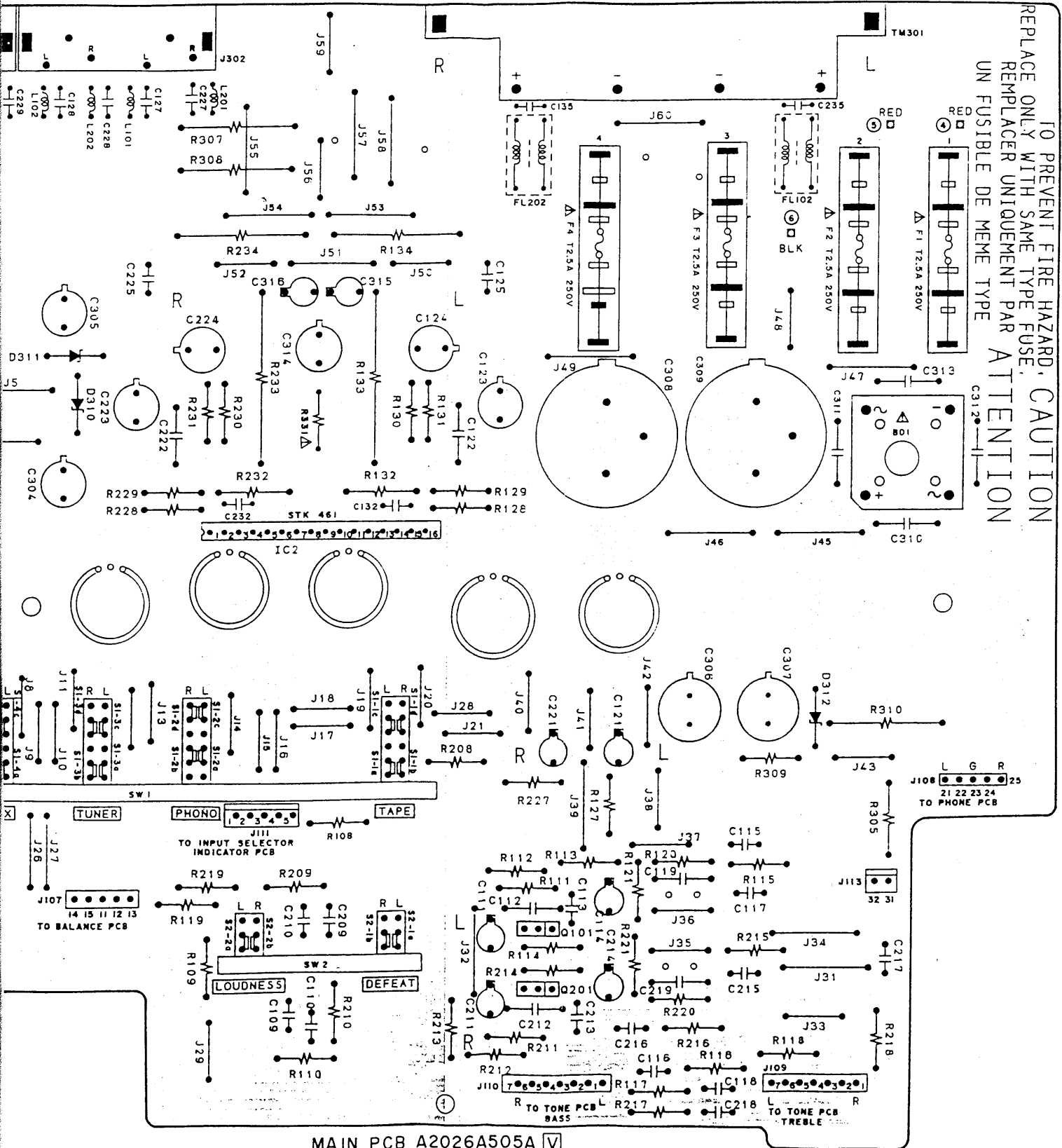


MAIN PCB A2026A505A

REC PLAY

SPEAKER

TO PREVENT FIRE HAZARD, CAUTION  
 REPLACE ONLY WITH SAME TYPE FUSE.  
 REMPLACER UNIQUEMENT PAR ATTENTION  
 UN FUSIBLE DE MEME TYPE

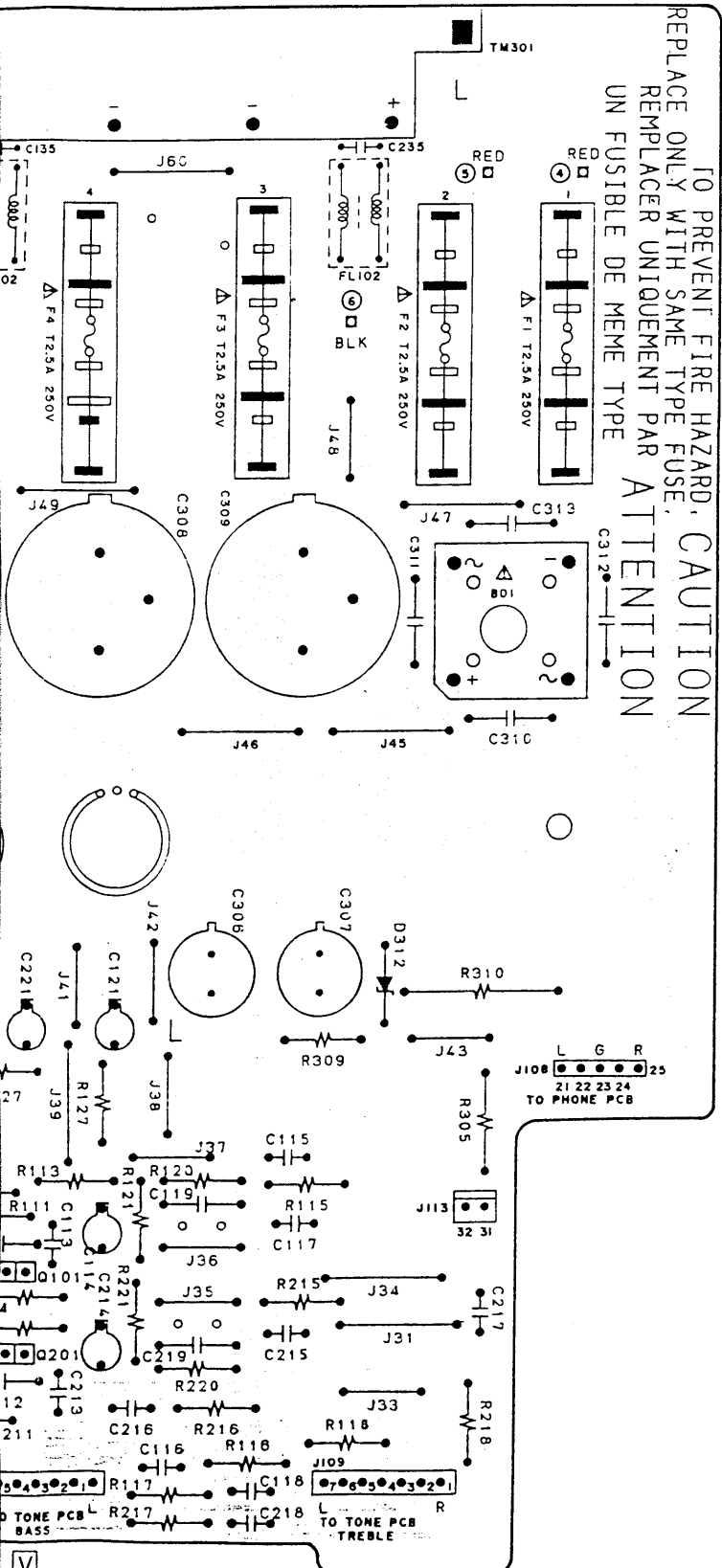


MAIN PCB A2026A505A V

WARNING: Δ INDICATES SAFETY CRITICAL COMPONENTS FOR CONTINUED SAFETY. REPLACE SAFETY CRITICAL COMPONENTS ONLY WITH MANUFACTURER'S RECOMMENDED PARTS  
 AVERTISSEMENT: Δ IL INDIQUE LES COMPOSANTS CRITIQUES DE SÉCURITÉ. POUR MAINTENIR LE DEGRÉ DE SÉCURITÉ DE L'APPAREIL, NE REMPLACER QUE DES PIÈCES RECOMMANDÉES PAR LE FABRICANT

SPEAKER

IO PREVENT FIRE HAZARD, CAUTION  
 REPLACE ONLY WITH SAME TYPE FUSE.  
 REMPLACER UNIQUEMENT PAR ATTENTION  
 UN FUSIBLE DE MEME TYPE



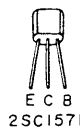
LOCATION OF COMPONENTS

- TR  
 Q101.....C3  
 Q201.....C3

- IC  
 IC1.....A1  
 IC2.....B2

- CONNECTOR  
 J301.....A1  
 J302.....A2  
 J303.....C4  
 J304.....C2  
 J305.....C3  
 J306.....C4  
 J307.....C4

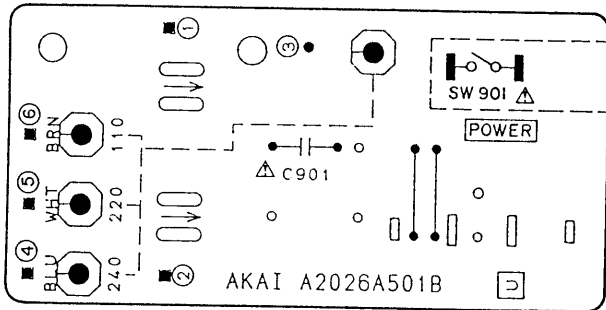
Q101, 201 ..... 2SC1571  
 (F,G,H)



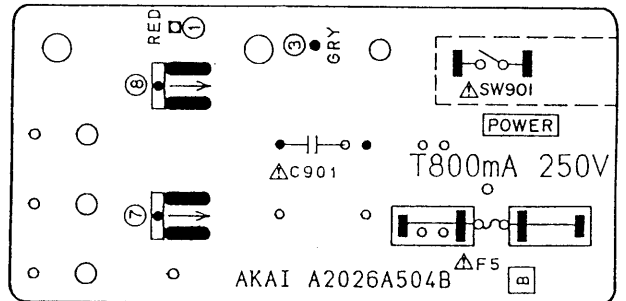
= NPN TRANSISTOR

WARNING:  $\Delta$  INDICATES SAFETY CRITICAL COMPONENTS FOR CONTINUED SAFETY.  
 REPLACE SAFETY CRITICAL COMPONENTS ONLY WITH MANUFACTURER'S  
 RECOMMENDED PARTS  
 AVERTISSEMENT:  $\Delta$  IL INDIQUE LES COMPOSANTS CRITIQUES DE SÉCURITÉ.  
 POUR MAINTENIR LE DEGRÉ DE SÉCURITÉ DE L'APPAREIL  
 NE REMPLACER QUE DES PIÈCES RECOMMANDÉES PAR LE FABRICANT

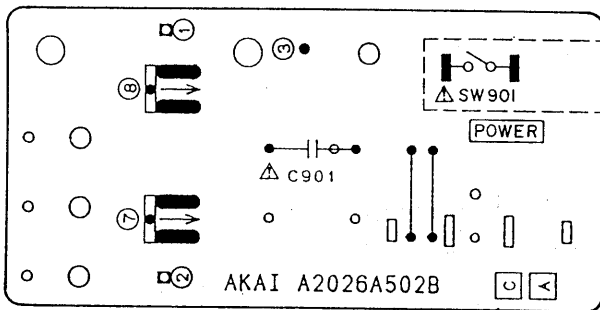
3) POWER SW P.C BOARD A2026A501B U A2026A502B C.A A2026A503B E.S A2026A504B B,  
A2026A505B V



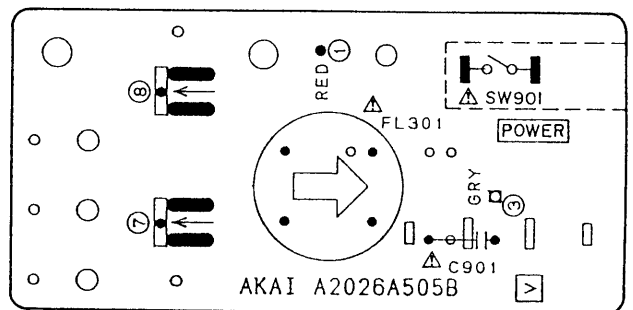
POWER SW PCB A2026A501B U



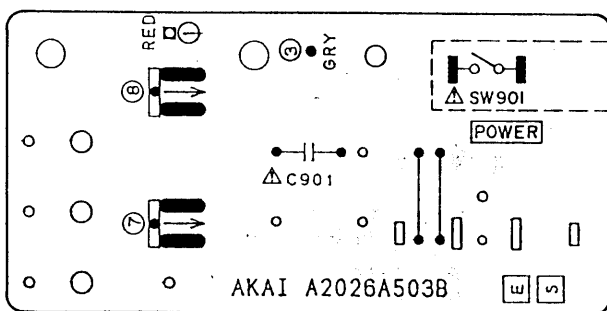
POWER SW PCB A2026A504B B



POWER SW PCB A2026A502B C.A



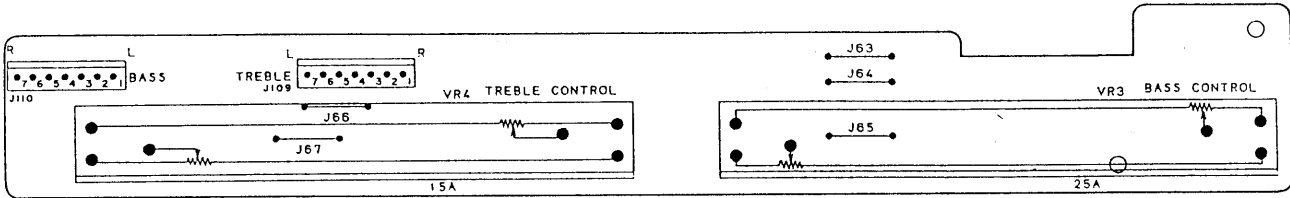
POWER SW PCB A2026A505B V



POWER SW PCB A2026A503B E.S



4) OTHER P.C BOARDS

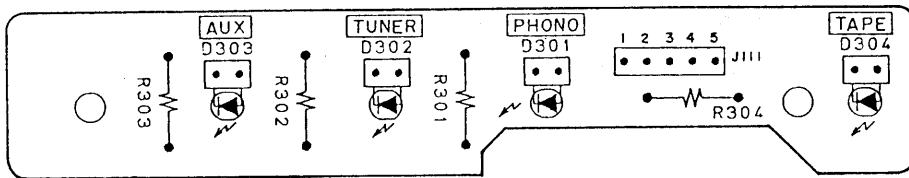


TREBLE

TONE PCB A2026A501 C U

- A502 C A.C
- A503 C E.S
- A504 C B
- A505 C V

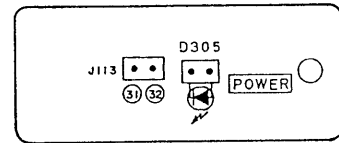
BASS



INPUT SELECTOR INDICATOR PCB

A2026A501F U

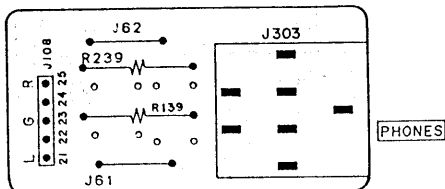
- A502 F A.C
- A503 F E.S
- A504 F B
- A505 F V



POWER INDICATOR PCB

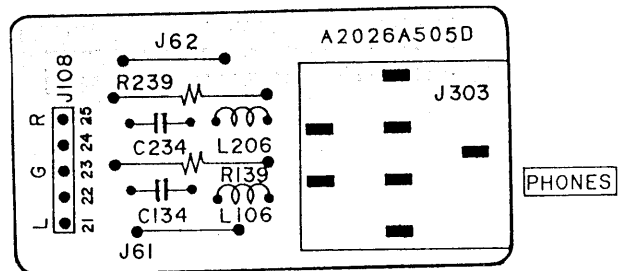
A2026A501 G U

- A502 G A.C
- A503 G E.S
- A504 G B
- A505 G V

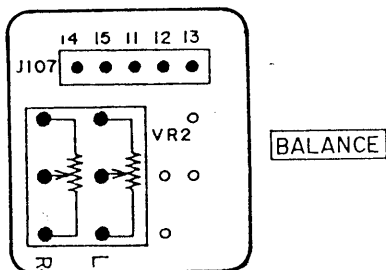


PHONE PCB A2026A501D U

- A502D A.C
- A503D E.S
- A504D B

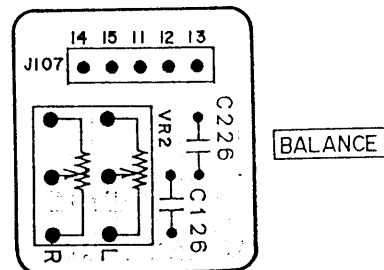


PHONE PCB A2026A505D V

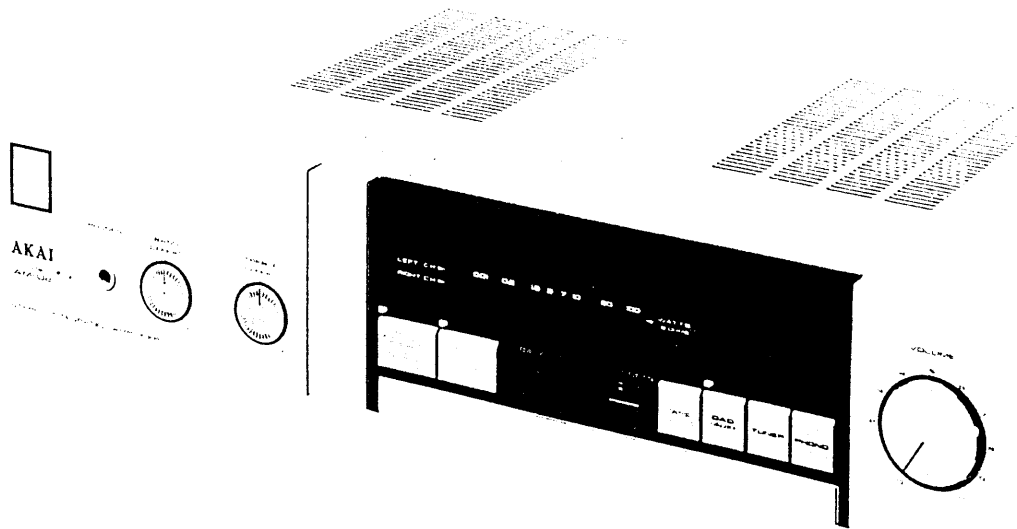


BALANCE PCB A2026A501E U

- A502E A.C
- A503E E.S
- A504E B



BALANCE PCB A2026A505E V



SECTION 2

**SERVICE MANUAL**

**MODEL AM-U2/F**

TABLE OF CONTENTS

|   |    |
|---|----|
| I. SPECIFICATIONS .....                             | 14 |
| II. DISMANTLING OF UNIT .....                       | 15 |
| III. CONTROLS .....                                 | 16 |
| IV. PRINCIPAL PARTS LOCATION .....                  | 17 |
| V. POWER METER SENSITIVITY ADJUSTMENT .....         | 17 |
| VI. CLASSIFICATION OF VARIOUS P.C BOARDS .....      | 18 |
| 1. P.C BOARD TITLES AND IDENTIFICATION NUMBER ..... | 18 |
| 2. COMPOSITION OF VARIOUS P.C BOARDS .....          | 19 |

For basic adjustments, measuring methods, and operating principles, refer to GENERAL TECHNICAL MANUAL.

# I. SPECIFICATIONS

## POWER AMPLIFIER SECTION

|   |   |   |
|---|---|---|
| RATED POWER OUTPUT<br>(2 CHANNELS DRIVEN)<br>20 to 20,000 Hz<br>1 kHz<br>1 kHz (AM-U2F) | 8 ohms<br>30W x 2/0.05%<br>35W x 2/0.7%<br>42W x 2/0.7% | 4 ohms<br>30W x 2/0.05%<br>35W x 2/0.7%<br>42W x 2/0.7% |
| POWER BAND WIDTH<br>(IHF -3 dB, 8 ohms)   | 15 Hz to 40 kHz/0.1%                                    |   |
| SIGNAL TO NOISE RATIO (IHF-A)<br>PHONO<br>AUX   | 72 dB<br>100 dB   |   |
| RESIDUAL NOISE (8 ohms)   | 300 $\mu$ V   |   |
| CHANNEL SEPARATION<br>(IHF, 1 kHz)  | 50 dB (1 kHz)   |   |
| DAMPING FACTOR<br>(1 kHz, 8 ohms)   | 27  |   |
| OUTPUT IMPEDANCE<br>SPEAKERS  | 8 to 16 ohms (A and B)<br>4 to 16 ohms (A or B)         |   |

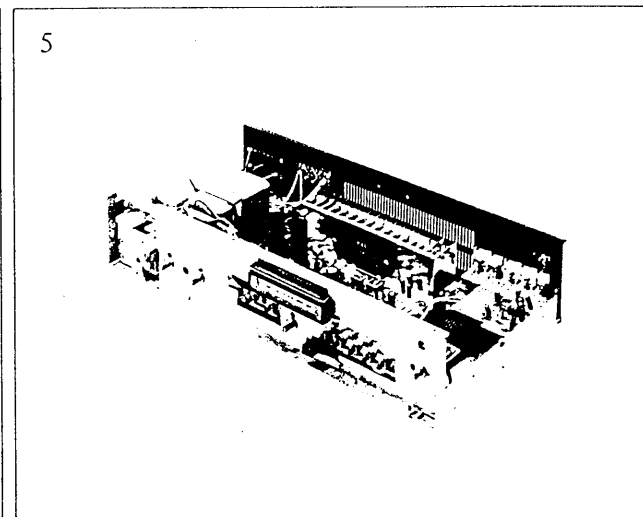
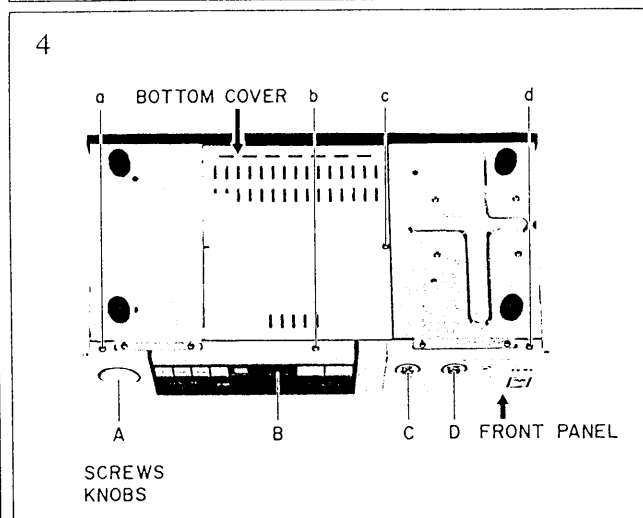
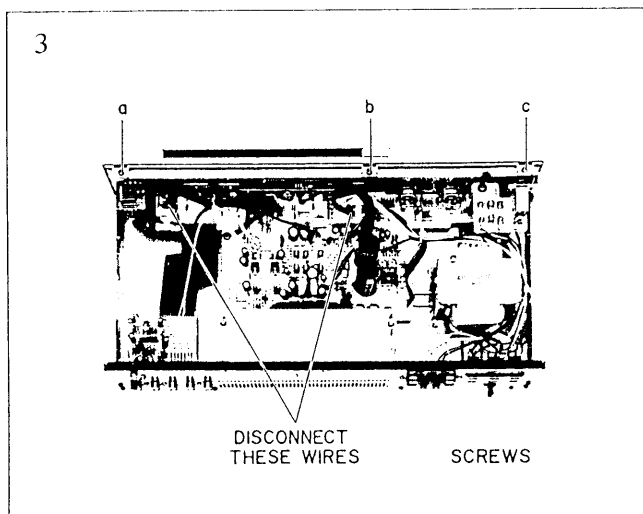
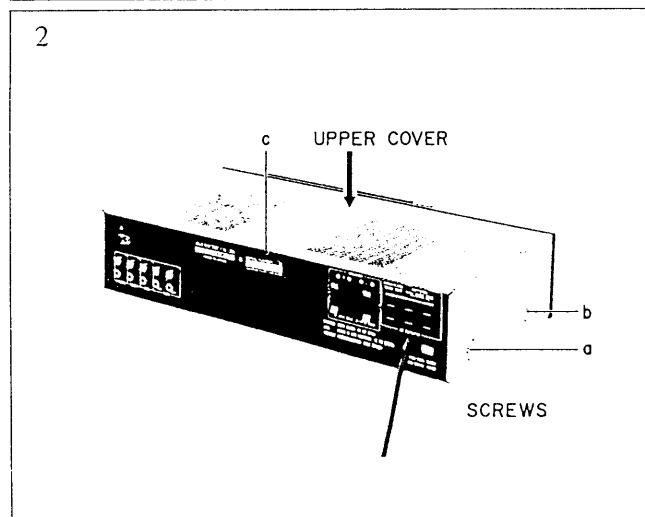
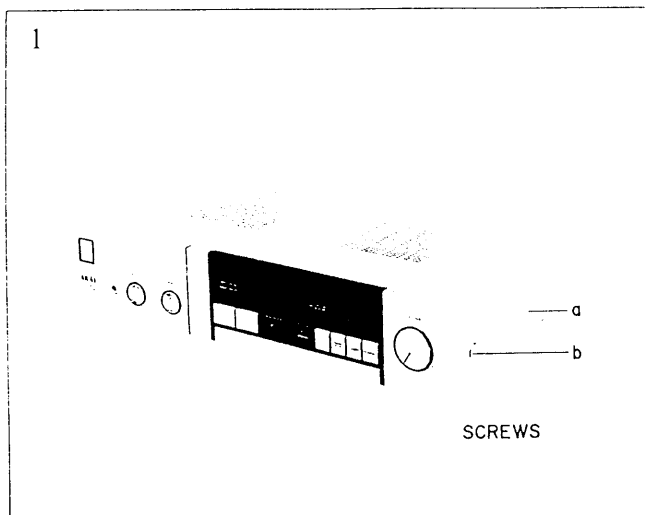
## PREAMPLIFIER SECTION

|   |  |  |
|---|--|--|
| INPUT SENSITIVITY/IMPEDANCE<br>PHONO<br>AUX<br>TUNER<br>TAPE      | 2.5 mV/47 kohms<br>150 mV/47 kohms<br>150 mV/47 kohms<br>150 mv/47 kohms   |  |
| OUTPUT LEVEL/IMPEDANCE<br>TAPE REC                                | 150 mV   |  |
| FREQUENCY RESPONSE<br>PHONO<br>(RIAA DEVIATION)<br>TUNER/AUX/TAPE | $\pm$ 0.5 dB<br>5 Hz to 80 kHz -3 dB   |  |
| TONE CONTROL<br>BASS<br>TREBLE                                    | $\pm$ 8 dB 100 Hz<br>$\pm$ 6 dB 10 kHz   |  |
| LOUDNESS CONTROL<br>(VOLUME SET AT -30 dB POSITION)               | +10 dB (100 Hz)<br>+6 dB (10 kHz)  |  |
| PHONO MAX. INPUT LEVEL (1 kHz)                                    | 150 mV   |  |
| POWER CONSUMPTION   | 140W U, A, C   |  |
| POWER REQUIREMENT   | 120V, 60 Hz for USA and Canada<br>220V, 50 Hz for Europe except UK<br>240V, 50Hz for UK and Australia<br>110V/220V/240V, 50/60 Hz internally switchable for other countries. |  |
| DIMENSIONS  | 440 (W) x 100 (H) x 247 (D) mm<br>(17.3 x 3.9 x 9.7 inches)  |  |
| WEIGHT  | 4.9 kg (10.8 lbs)  |  |

\* For improvement purposes, specifications and design are subject to change without notice.

## II. DISMANTLING OF UNIT

In case of trouble, etc. necessitating dismantling, please dismantle in the order shown in the photographs. Reassemble in reverse order.



### III. CONTROLS

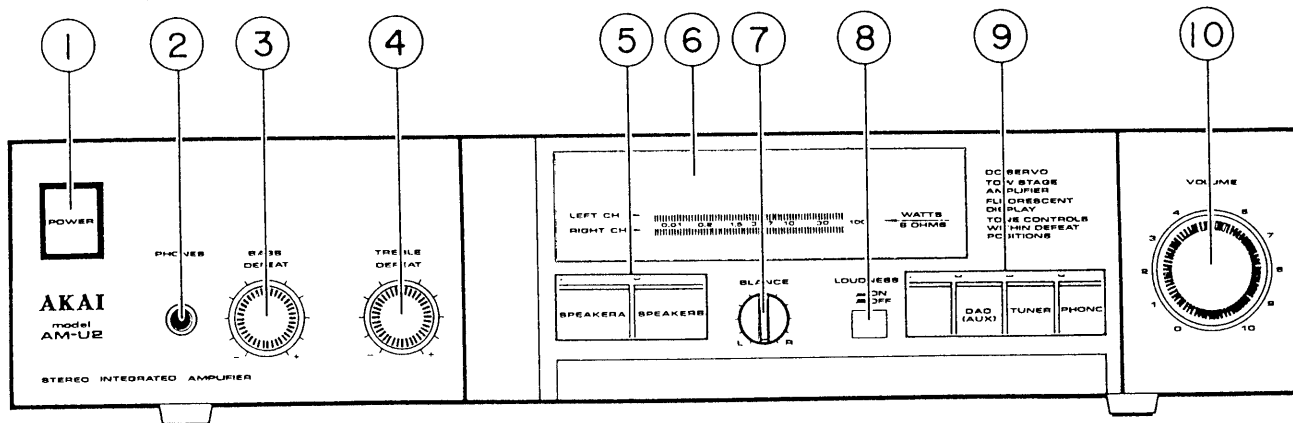


Fig. 3-1 Front View

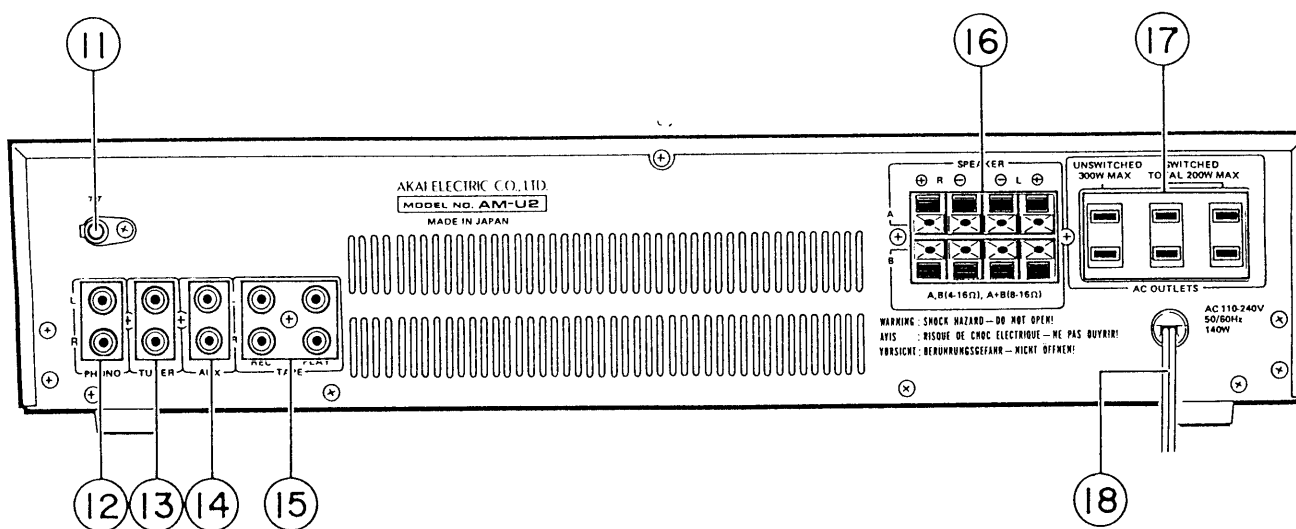


Fig. 3-2 Rear View

- |  |   |
|--|---|
| <ol style="list-style-type: none"> <li>1. POWER SWITCH</li> <li>2. PHONES JACK</li> <li>3. BASS TONE CONTROL</li> <li>4. TREBLE TONE CONTROL</li> <li>5. SPEAKER SELECTORS AND INDICATORS (A/B)</li> <li>6. FL OUTPUT BAR METER</li> <li>7. BALANCE CONTROL</li> <li>8. LOUDNESS SWITCH</li> <li>9. INPUT SOURCE SELECTORS AND INDICATORS (TAPE, DAD (AUX), TUNER, and PHONO)</li> </ol> | <ol style="list-style-type: none"> <li>10. VOLUME CONTROL</li> <li>11. GROUND TERMINAL (⏚)</li> <li>12. PHONO JACKS</li> <li>13. TUNER JACKS</li> <li>14. AUX JACKS</li> <li>15. TAPE REC/PLAY JACKS</li> <li>16. SPEAKER TERMINALS (A, B)</li> <li>17. AC OUTLETS (Not on some models)</li> <li>18. AC POWER CORD</li> </ol> |
|--|---|

## IV. PRINCIPAL PARTS LOCATION

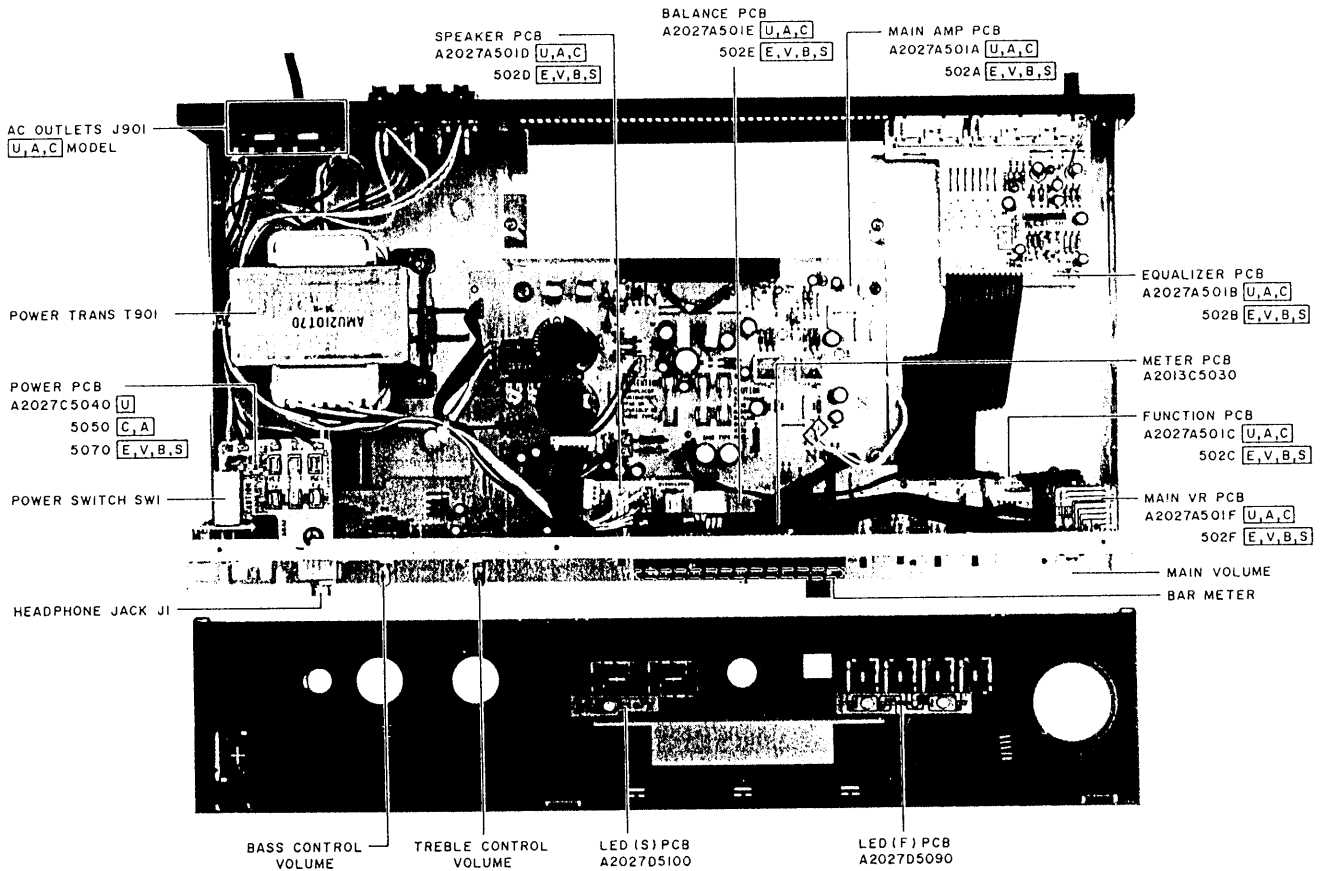


Fig. 4 Top View

For Service Manuals  
**MAURITRON SERVICES**  
 8 Cherry Tree Road, Chinnor  
 Oxfordshire, OX9 4QY.  
 Tel (01844) 351694  
 Fax (01844) 352554  
 email:- sales@mauritron.co.uk

## V. POWER METER SENSITIVITY ADJUSTMENT

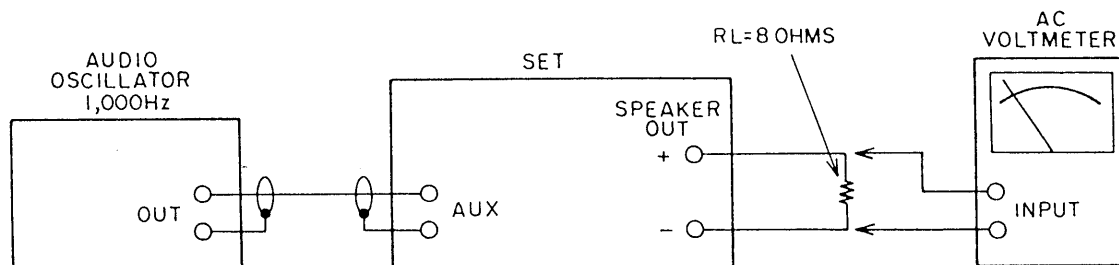


Fig. 5 Instrument Connections

Connect the load resistors ( $RL=8$  ohms) to Speaker terminals. Then apply a 1 kHz signal to the AUX input terminals, adjusting the input level so as to obtain the rated output voltage level (8.94V) at both ends of the

load resistor. Adjust VR3 (Left) and VR3b (Right) on MAIN AMP P.C Board so that the 10 Watts in the Power Meter reading.

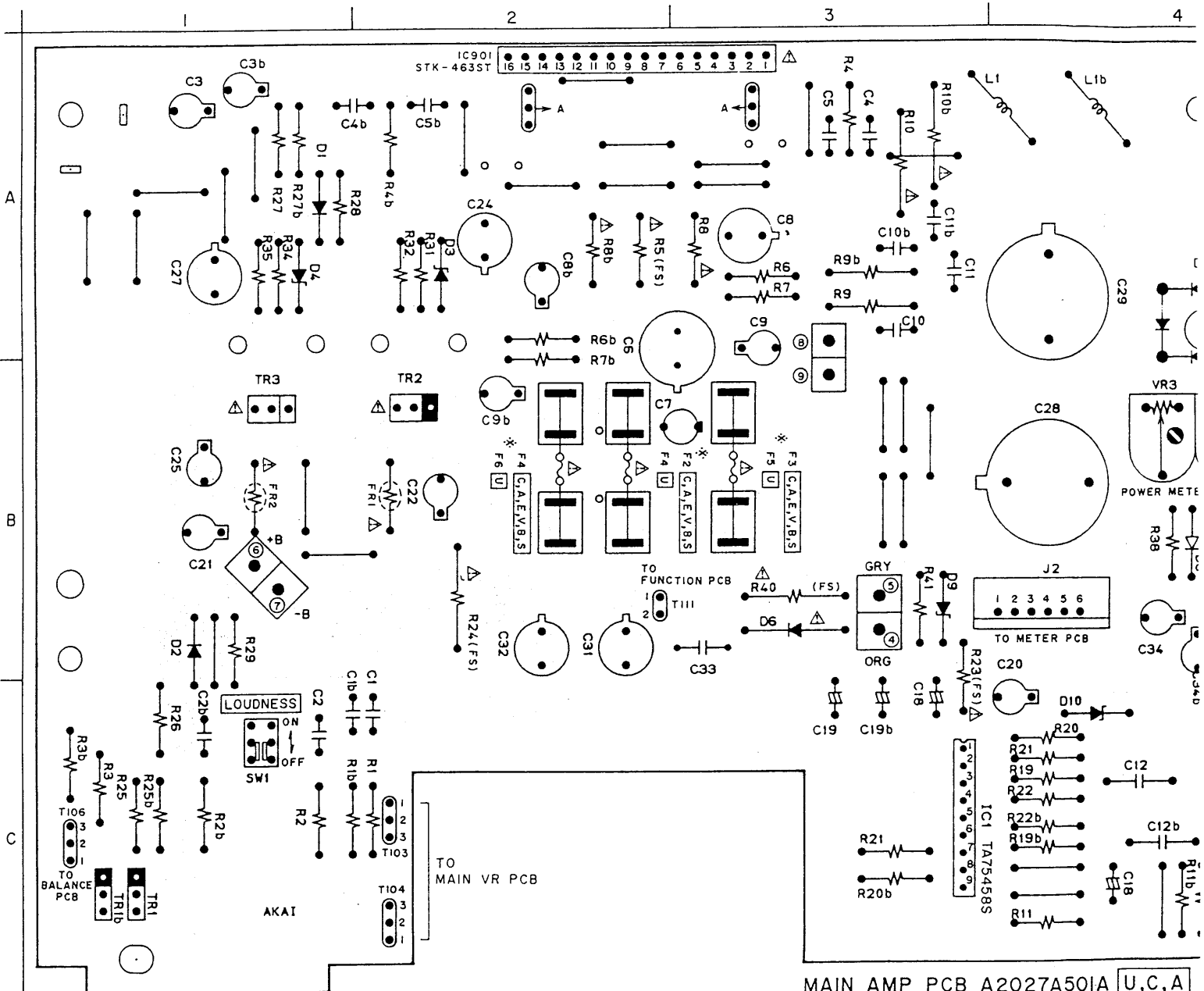
## VI. CLASSIFICATION OF VARIOUS P.C BOARD

### 6-1. MODEL AM-U2/F P.C BOARD TITLES AND IDENTIFICATION NUMBER

| P.C BOARD TITLE     | P.C BOARD NUMBER | REMARKS      |
|---------------------|------------------|--------------|
| MAIN AMP P.C Board  | A2027A501A       | UAC          |
|                     | A2027A502A       | EVBBS        |
| EQUALIZER P.C Board | A2027A501B       | UAC          |
|                     | A2027A502B       | EVBBS        |
| FUNCTION P.C Board  | A2027A501C       | UAC          |
|                     | A2027A502C       | EVBBS        |
| SPEAKER P.C Board   | A2027A501D       | UAC          |
|                     | A2027A502D       | EVBBS        |
| BALANCE P.C Board   | A2027A501E       | UAC          |
|                     | A2027A502E       | EVBBS        |
| MAIN VR P.C Board   | A2027A501F       | UAC          |
|                     | A2027A502F       | EVBBS        |
| LED (F) P.C Board   | A2027D5090       |              |
| LED (S) P.C Board   | A2027D5100       |              |
| METER P.C Board     | A2013C5030       |              |
| POWER P.C Board     | A2027C5040       | U            |
|                     | A2027C5050       | AC           |
|                     | A2027C5070       | EVBBS        |
| FILTER P.C Board    | A2027C5110       | V MODEL ONLY |

## 6-2. COMPOSITION OF VARIOUS P.C BOARDS

1) MAIN AMP P.C BOARD A2027A501A **U A C**, A2027A502A **E V B S**

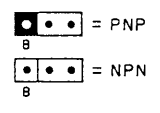
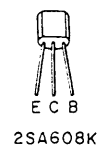
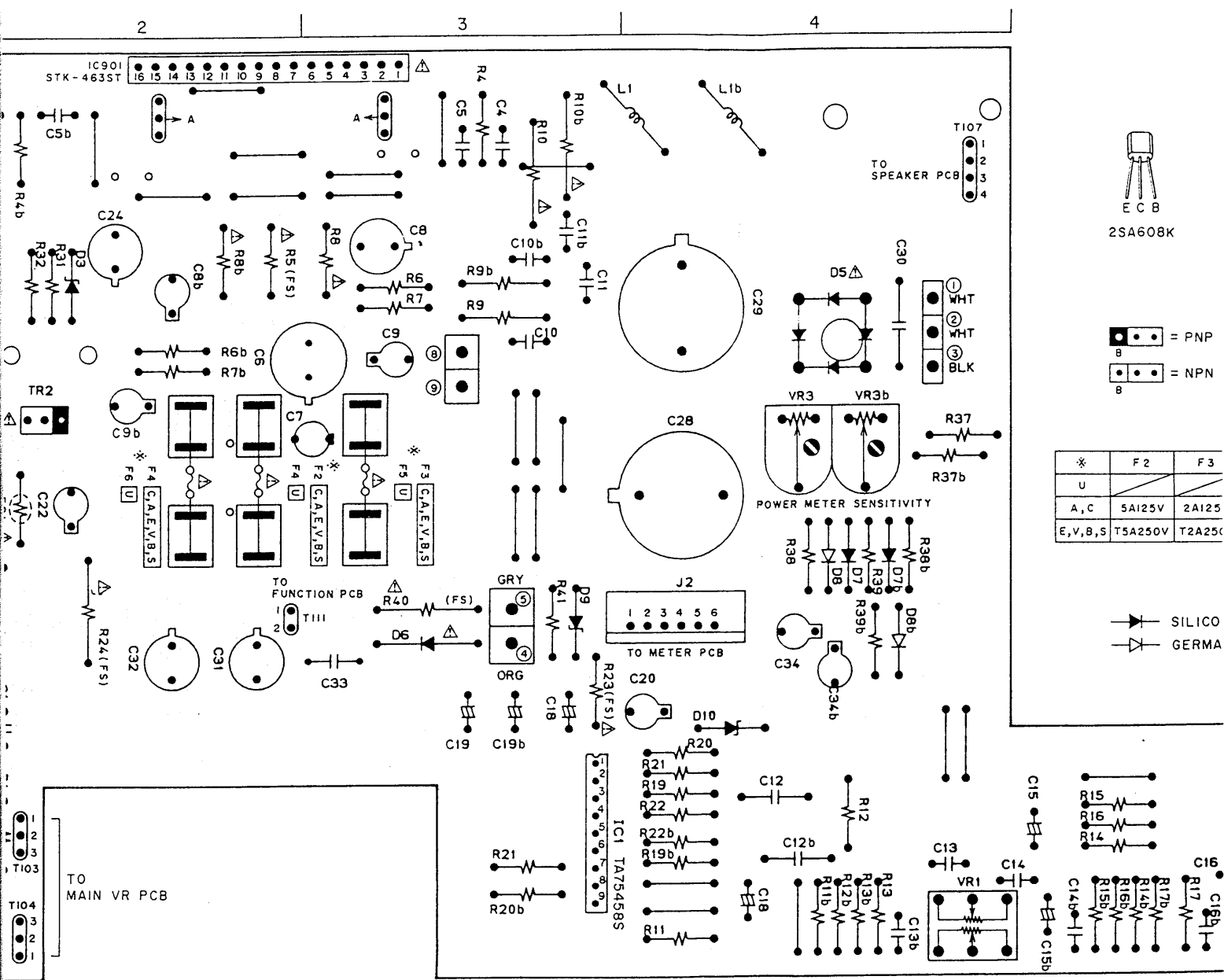


MAIN AMP PCB A2027A501A **U,C,A**  
502A **E,V,B,S**



P.C BOARDS

501A U A C, A2027A502A E V B S



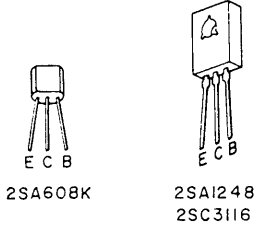
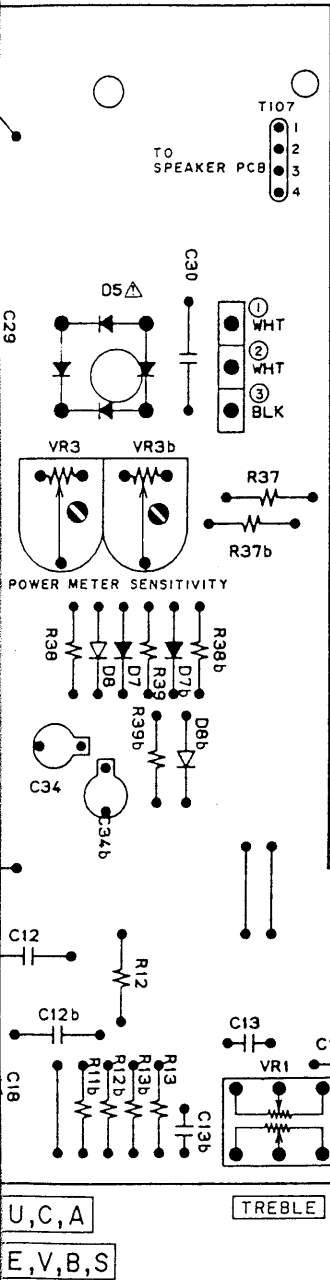
| *          | F 2     | F 3    |
|------------|---------|--------|
| U          |         |        |
| A, C       | 5A125V  | 2A125  |
| E, V, B, S | T5A250V | T2A25C |



MAIN AMP PCB A2027A501A U,C,A  
502A E,V,B,S

TREBLE

WARNING: Δ IN  
REP.  
REC.  
AVERTISSEMENT  
POU  
NE F



= PNP TRANSISTOR  
 = NPN TRANSISTOR

| *          | F2      | F3      | F4      | F5,6   |
|------------|---------|---------|---------|--------|
| U          | /       | /       | 5A125V  | 2A125V |
| A, C       | 5A125V  | 2A125V  | 2A125V  | /      |
| E, V, B, S | T5A250V | T2A250V | T2A250V | /      |

SILICON DIODE  
 GERMANIUM DIODE

LOCATION OF COMPONENTS

- IC  
 IC1.....C3  
 IC901.....A2  
  
 TR  
 TR1.....A1  
 TR1b.....A1  
 TR2.....B2  
 TR3.....B1

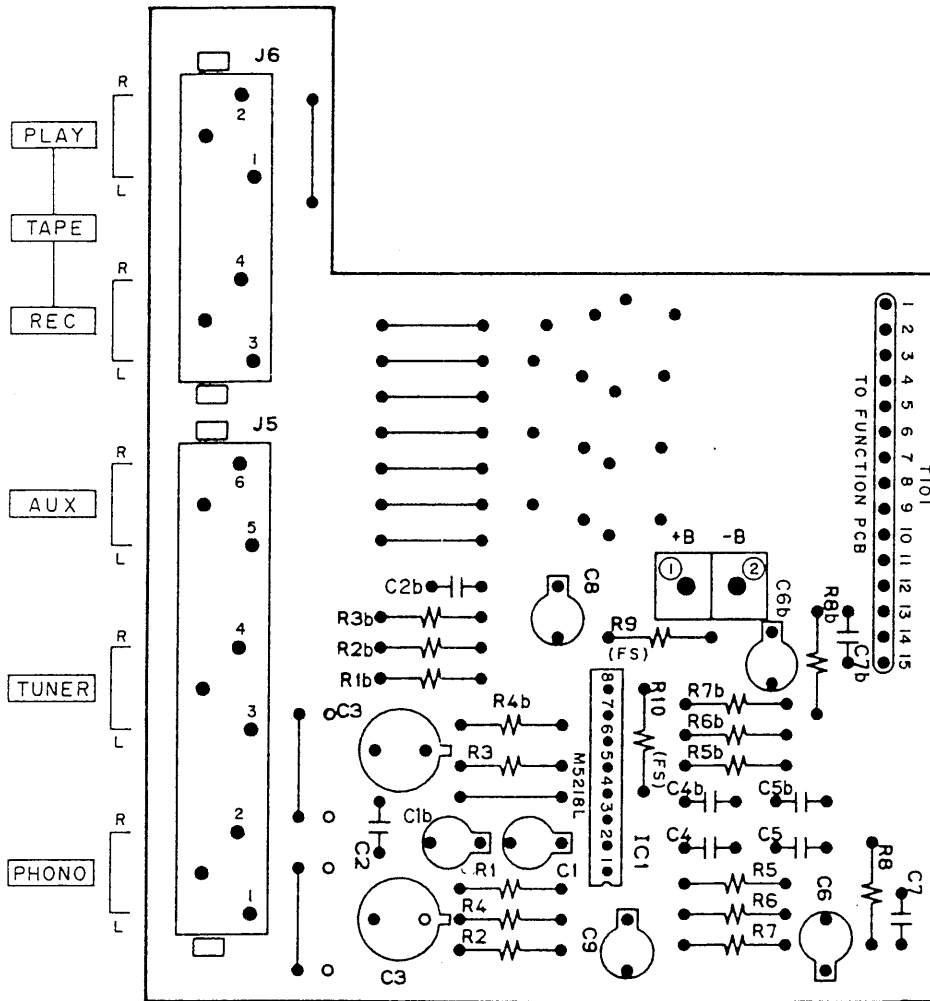
- CONNECTOR  
 T103.....C2  
 T104.....C2  
 T106.....C1  
 T107.....A4  
 T111.....B2  
 J2.....B4

- ① to ③ .....A4  
 ④, ⑤, ⑨ .....B3  
 ⑥, ⑦ .....B1  
 ⑧ .....A3

- TR1, 1b --- 2SA608K-NP  
 TR2 ----- 2SAI248  
 TR3 ----- 2SC3116

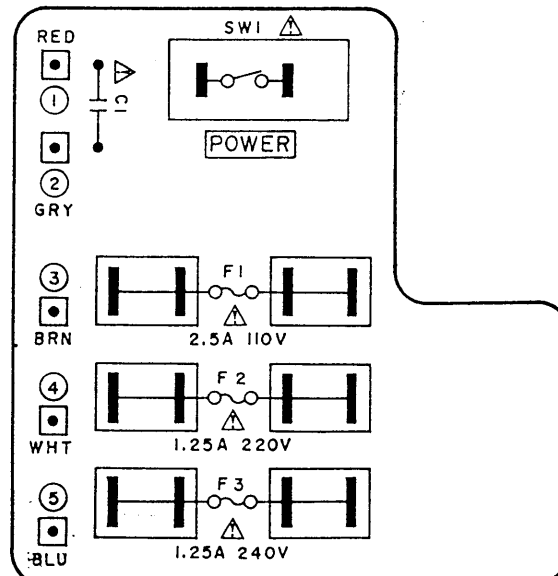
WARNING: INDICATES SAFETY CRITICAL COMPONENTS FOR CONTINUED SAFETY, REPLACE SAFETY CRITICAL COMPONENTS ONLY WITH MANUFACTURER'S RECOMMENDED PARTS  
 AVERTISSEMENT: IL INDIQUE LES COMPOSANTS CRITIQUES DE SÉCURITÉ. POUR MAINTENIR LE DEGRÉ DE SÉCURITÉ DE L'APPAREIL, NE REMPLACER QUE DES PIÈCES RECOMMANDÉES PAR LE FABRICANT

2) EQUALIZER P.C BOARD A2027A501B U A C, A2027A502B E B S V,



EQUALIZER PCB A2027A501B U,A,C  
502B E,B,S

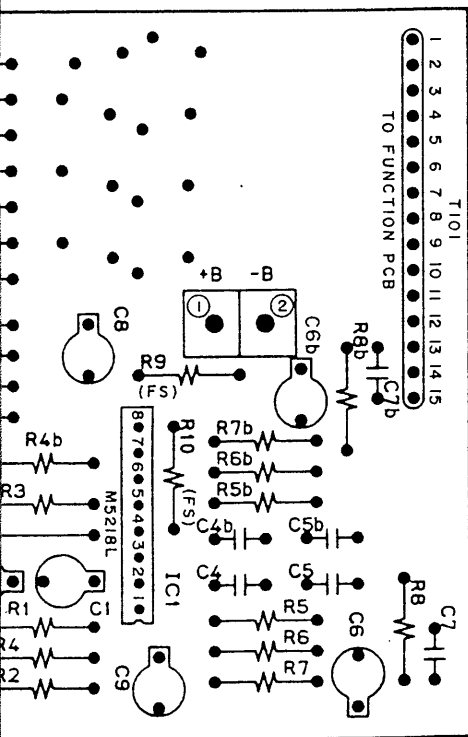
3) POWER P.C BOARD A2027C5040 U, A2027C5050 A C, A2027C5070 E V B S,



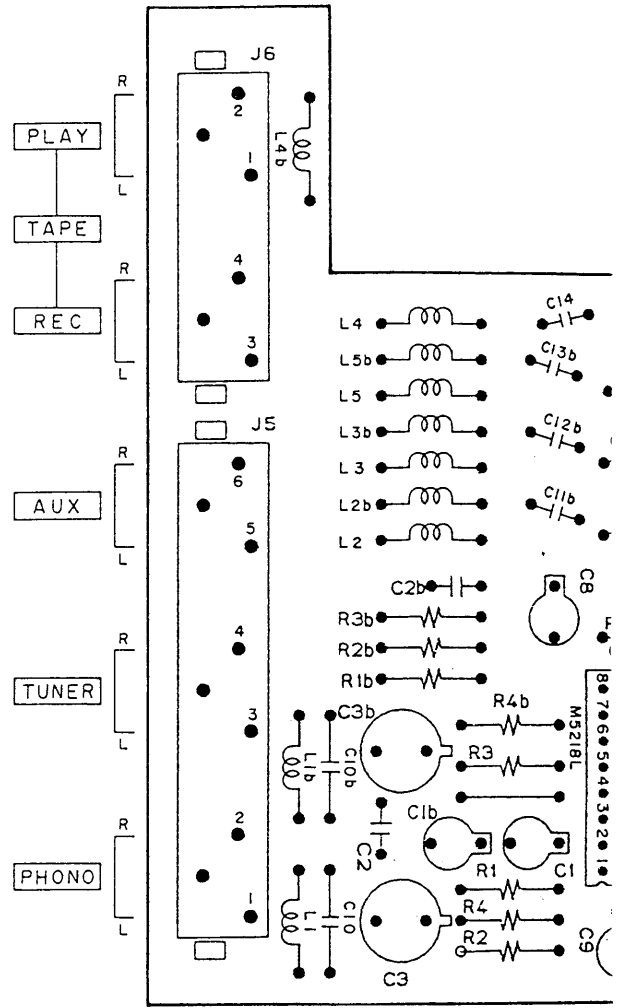
POWER PCB A2027C5040 U

POWER

2027A502B E B S V,

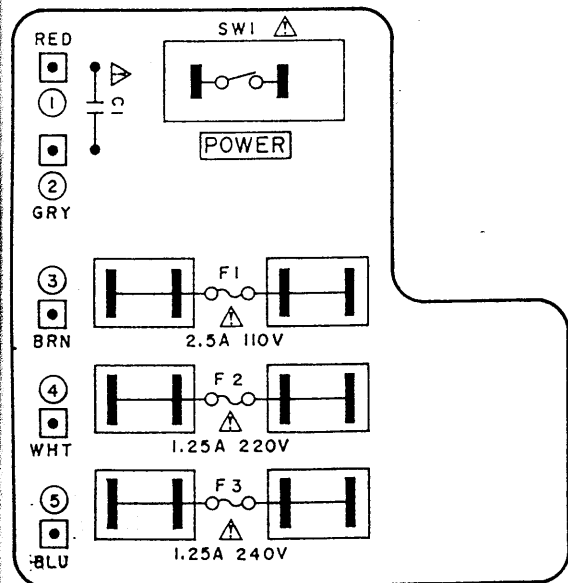


POWER PCB A2027A501B U, A, C  
502B E, B, S

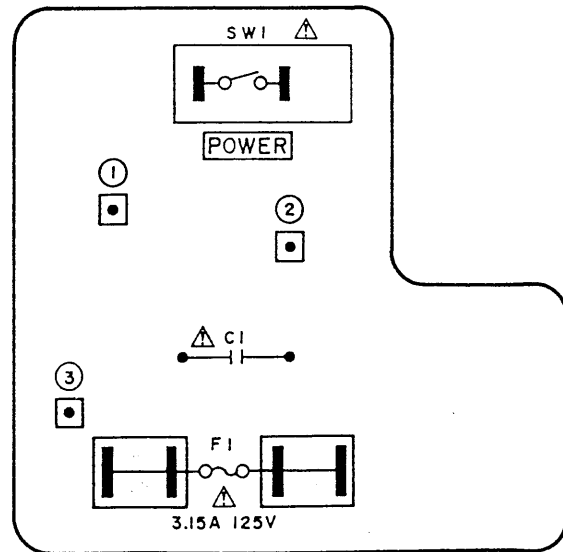


EQUALIZER PCB

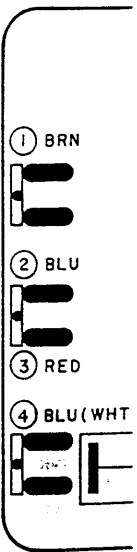
0 A C, A2027C5070 E V B S,



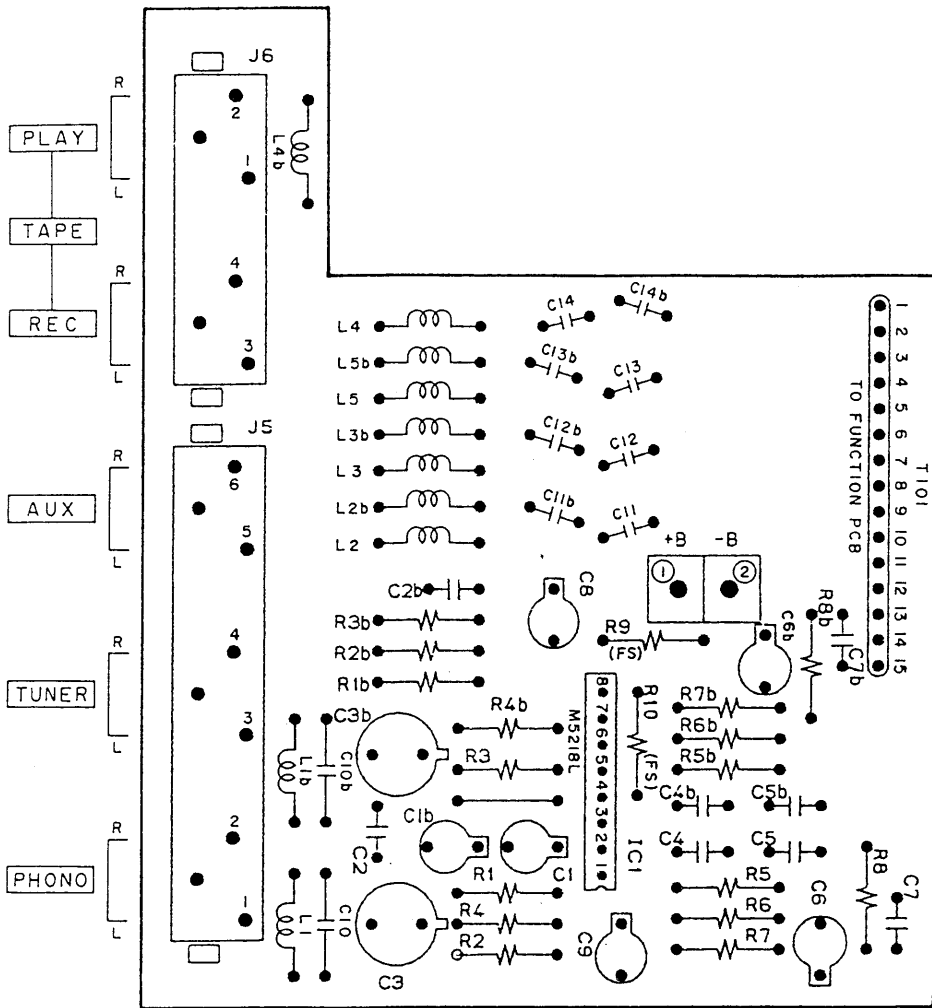
POWER PCB A2027C5040 U



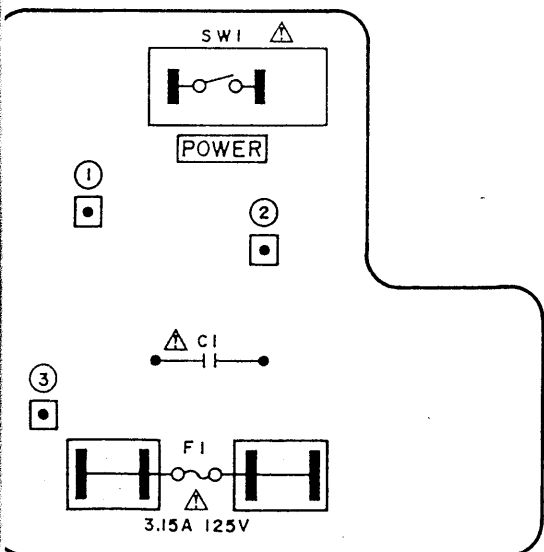
POWER PCB A2027C5050 A, C



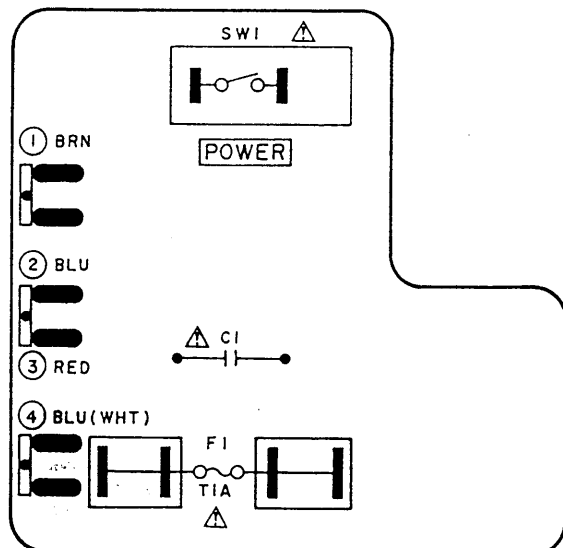
POWER



EQUALIZER PCB A2027A502B V



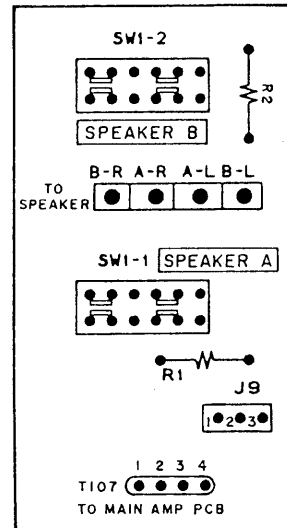
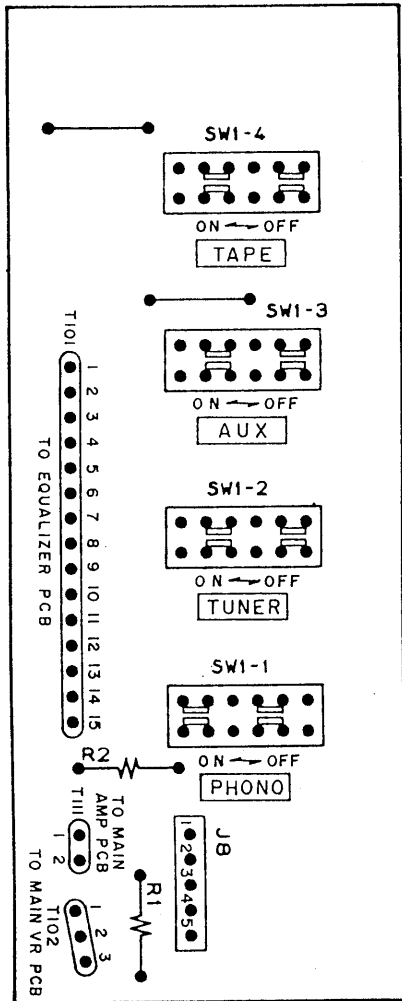
POWER PCB A2027C5050 A,C



POWER PCB A2027C5070 E,V,B,S

4) FUNCTION P.C BOARD A2027A501C U A C  
 A2027A502C E V B S

5) SPEAKER P.C BOARD A2027A501D U A C  
 A2027A502D E V B S ,



SPEAKER PCB  
 A2027A501D U A C  
 502D E V B S

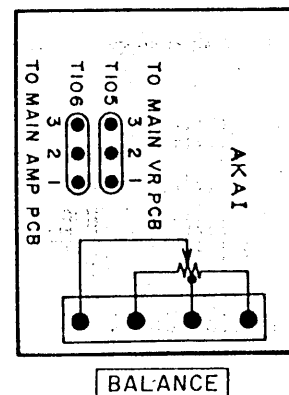
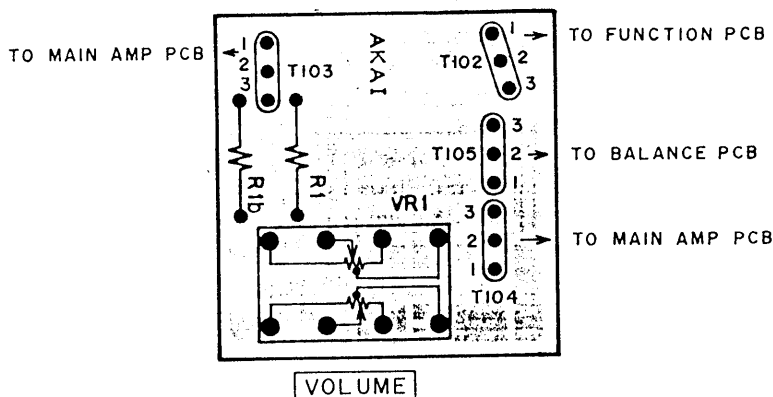
FUNCTION PCB A2027A501C U A C  
 502C E V B S

6) MAIN VR. P.C BOARD A2027A501F U A C  
 A2027A502F E V B S ,

7) BALANCE P.C BOARD A2027A501E U A C  
 A2027A502E E V B S

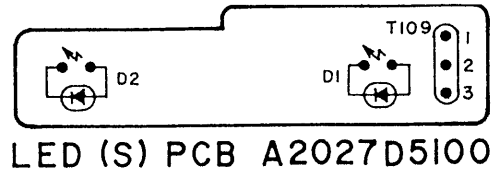
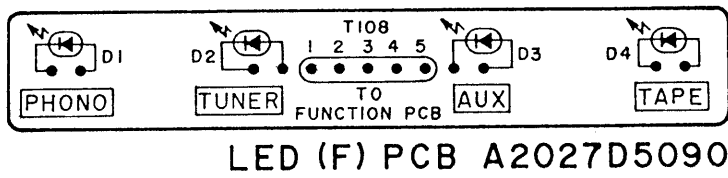
MAIN VR PCB  
 A2027A501F U A C  
 502F E V B S

BALANCE PCB  
 A2027A501E U A C  
 502E E V B S

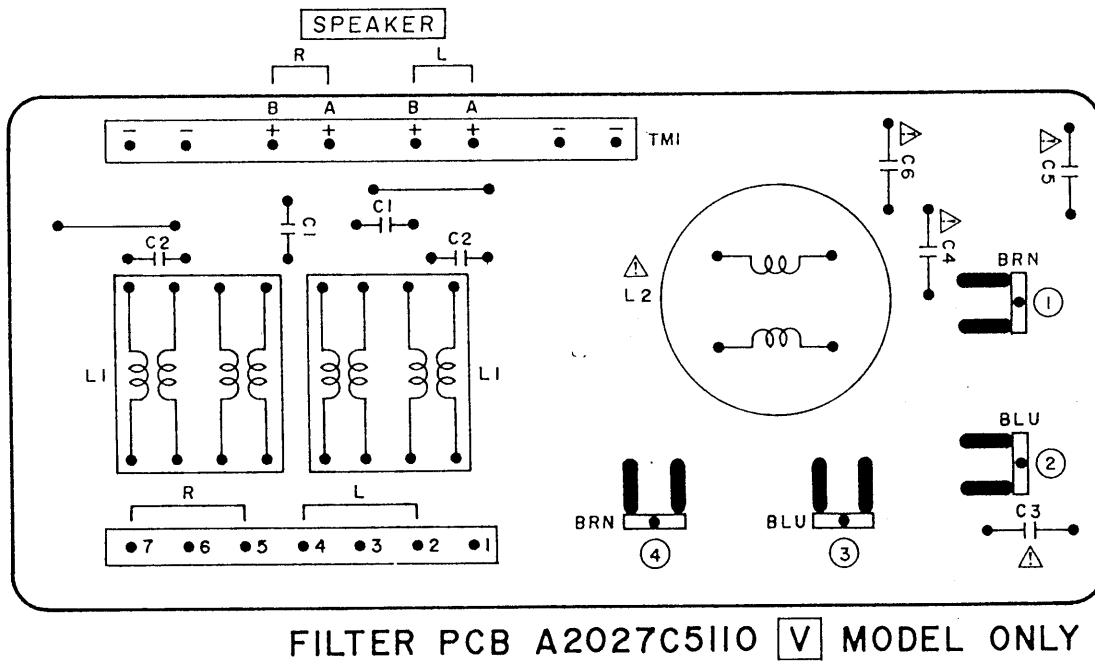


8) LED (F) P.C BOARD A2027D5090,

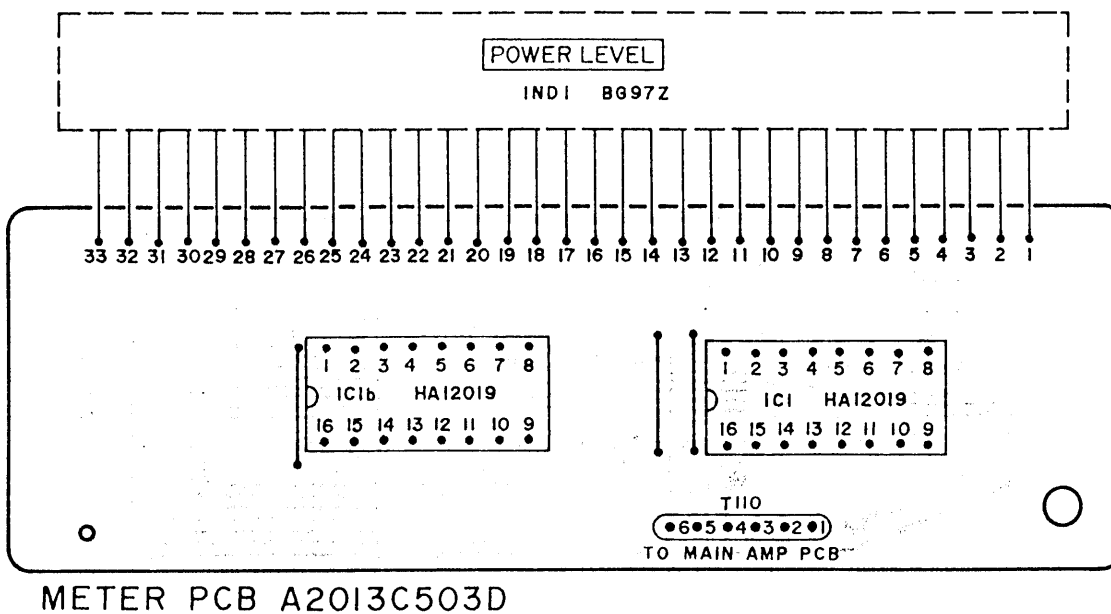
9) LED (S) P.C BOARD A2027D5100



10) FILTER P.C BOARD A2027C5110 [V] MODEL ONLY



11) METER P.C BOARD A2013C503D













---

SECTION 3

**PARTS LIST**

TABLE OF CONTENTS

|                                   |    |
|-----------------------------------|----|
| I. MODEL AM-U1 .....              | 29 |
| RECOMMENDED SPARE PARTS .....     | 29 |
| 1. MAIN AMP P.C BOARD BLOCK ..... | 29 |
| 2. ASSEMBLY BLOCK .....           | 30 |
| 3. FINAL ASSEMBLY BLOCK .....     | 31 |
| II. MODEL AM-U2/F .....           | 32 |
| ROCOMMENDED SPARE PARTS .....     | 32 |
| 1. MAIN P.C BOARD BLOCK .....     | 33 |
| 2. POWER P.C BOARD BLOCK .....    | 33 |
| 3. METER P.C BOARD BLOCK .....    | 33 |
| 4. FILTER P.C BOARD .....         | 33 |
| 5. ASSEMBLY BLOCK .....           | 34 |
| 6. FINAL ASSEMBLY BLOCK .....     | 35 |
| INDEX .....                       | 36 |

Resistor and Capacitor which is not listed in this parts list, please refer to  
COMMON LIST FOR SERVICE PARTS.

For Service Manuals  
MAURITRON SERVICES  
8 Cherry Tree Road, Chinnor  
Oxfordshire, OX9 4QY.  
Tel (01844) 351694  
Fax (01844) 352554  
email:- sales@mauritron.co.uk

## ATTENTION

1. When placing an order for parts, be sure to list the parts no., model no., and description. There are instances in which if any of this information is omitted, parts cannot be shipped or the wrong parts will be delivered.
2. Please be careful not to make a mistake in the parts no. If the parts no. is in error, a part different from the one ordered may be delivered.
3. Because parts number and parts unit supply in the Preliminary Parts List may be partially changed, please use this parts list for all future reference.

## HOW TO USE THIS PARTS LIST

1. This Parts List shows the parts that are considered necessary for repairs. Other parts, such as resistors and capacitors, are shown in the "Common List for Service Parts". Select and order such parts from the "Common List for Service Parts".
2. The Recommended Spare Parts shows those parts in the Parts List which are considered particularly important for service.
3. Parts not shown in the Parts List and "Common List for Service Parts" will not be supplied in principle.
4. How to read list

a) Mechanism Block

b) P.C Board Block

### 2. HEAD BASE BLOCK

| REF. NO. | PARTS NO.     | DESCRIPTION             |
|----------|---------------|-------------------------|
| 2-1x     | BH-T2023A320A | HEAD BASE BLOCK GX-F66R |
| 2-2      | HP-H2206A010A | HEAD R/P PR4-8FU C      |
| 2-3      | ZS-477876     | PAN20x03STL CMT         |
| 2-4      | ZS-536488     | BID20x08STL CMT         |
| 2-5      | ZG-402895     | CS ANGLE ADJUST SPRING  |

SP (Service Parts) Classification

A small "x" indicates the inability to show that particular part in the Photo or Illustration.

This number corresponds with the individual parts index number in that figure

This number corresponds with the Figure Number

### 6. SYS. CON. P.C BOARD BLOCK

| REF. NO.  | PARTS NO.     | DESCRIPTION                     |
|-----------|---------------|---------------------------------|
| 6-1       | BA-T2034A070A | PC SYS CON BLK GX-F44R          |
| 6-IC1     | EI-324536     | IC HD14049BP                    |
| 6-IC2     | EI-336801     | IC MB8841-564M                  |
| 6-IC3     | EI-331661     | IC SN7405N                      |
| 6-IC4     | EI-336725     | IC M54527P                      |
| 6-TR1to4  | ET-200985     | TR 2SC2603 F,G                  |
| 6-TR5to28 | ET-554657     | TR 2SA733A P,Q                  |
| 6-D1      | ED-318292     | D SILICON H 1S2473T-77 T26      |
| 6-D2to4   | ED-308952     | D GERMA V 1K34A-LR F07          |
| 6-D5to10  | ED-318292     | D SILICON H 1S2473T-77 T26      |
| 6-X1      | EI-318384     | OSC X'TAL NC-18C<br>3.579545MHZ |

SP (Service Parts) Classification

This reference numbers corresponds with symbol numbers of Schematic Diagrams.

5. Both the kind of part and installation position can be determined by the Parts Number. To determine where a parts number is listed, utilize Parts Index at end of Parts List. It is necessary first of all to find the Parts Number. This can be accomplished by using the Reference Number listed at right of parts number in the Parts Index.

## WARNING

**Δ INDICATES SAFETY CRITICAL COMPONENTS FOR CONTINUED SAFETY, REPLACE SAFETY CRITICAL COMPONENTS ONLY WITH MANUFACTURE'S RECOMMENDED PARTS**

## AVERTISSEMENT

**Δ IL INDIQUE LES COMPOSANTS CRITIQUES DE SECURITE. POUR MAINTENIR LE DEGRE DE SECURITE DE L'APPAREIL, NE REMPLACER QUE DES PIECES RECOMMANDEES PAR LE FABRICANT**

# I. MODEL AM-U1

## RECOMMENDED SPARE PARTS

Because, if the parts listed below are on hand, almost any repair can be accomplished, we suggest that you stock these Recommended Spare Parts Items.

| REF. NO. | PARTS NO. | DESCRIPTION                                      |
|----------|-----------|--|
| 1        | BT-339849 | △ TRANS POWER PT401AUBS (T901)<br>(B,S)          |
| 2        | BT-339848 | △ TRANS POWER PT401CE (T901)(E,V)                |
| 3        | BT-339852 | △ TRANS POWER PT401EX (T901)(U)                  |
| 4        | BT-339853 | △ TRANS POWER PT401ULCA (T901)<br>(C,A)          |
| 5        | ED-322773 | D LED SLP-255D-01 GRN                            |
| 6        | ED-322247 | D LED SLP151D RED                                |
| 7        | ED-200213 | D SILICON DBA40C-K15 200/2.6A                    |
| 8        | ED-237960 | D ZENER H WZ-150                                 |
| 9        | ED-337722 | D ZENER H WZ-220                                 |
| 10       | EF-337678 | △ FUSE B 250V 2.50A (F3,4)(U)                    |
| 11       | EF-337677 | △ FUSE B 250V 3.50A (F1,2)(U)                    |
| 12       | EF-300585 | △ FUSE EAK T 250V 0.80A (F5)(B)                  |
| 13       | EF-300606 | △ FUSE FST3100 T 250V 2.50V (F1T04)<br>(E,V,B,S) |
| 14       | EF-557730 | △ FUSE ULCS-61M A 250V 3.00A (F3,4)<br>(C,A)     |
| 15       | EF-341929 | △ FUSE ULCS-61ML A 125V 3.50A (F1,2)<br>(C,A)    |
| 16       | EI-344764 | IC M5218P-21                                     |
| 17       | EI-338500 | IC STK461  |
| 18       | ER-341920 | △ R FUSE ERQ14AJ S10 1/4W 101J                   |
| 19       | ES-337902 | △ SW PUSH SDDL1P 01-1                            |
| 20       | ES-341925 | SW PUSH ESB-6295 4 THROW                         |
| 21       | ES-341926 | SW PUSH ESB-62596 2 HTHROW                       |
| 22       | ET-338543 | TR 2SC1571 F,G,H                                 |
| 23       | EV-339859 | VR ROTARY 16P20x2Z 1Z254                         |
| 24       | EV-345493 | VR ROTARY 16P20x3D 31Z254                        |
| 25       | EV-339856 | VR SLIDE 60P2SV0E 15A104                         |
| 26       | EV-339857 | VR SLIDE 60P2SV0F 25A104                         |

## 1. MAIN AMP P.C BOARD BLOCK

| REF. NO. | PARTS NO.     | DESCRIPTION                       |
|----------|---------------|-----------------------------------|
| 1-1U     | BA-A2026A030A | PC MAIN AMP BLK AM-U1(U)          |
| 1-1C     | BA-A2026A030B | PC MAIN AMP BLK AM-U1(C)<br>(C,A) |
| 1-1E     | BA-A2026A030C | PC MAIN AMP BLK AM-U1(E)<br>(E,S) |
| 1-1V     | BA-A2026A030D | PC MAIN AMP BLK AM-U1(V)          |
| 1-1B     | BA-A2026A030E | PC MAIN AMP BLK AM-U1(B)          |

### MAIN AMP P.C BOARD

|             |           |   |
|-------------|-----------|---|
| 1-1C1       | EI-344764 | IC M5218P-21                            |
| 1-1C2       | EI-338500 | IC STK461                               |
| 1-Q101      | ET-338543 | TR 2SC1571 F,G,H                        |
| 1-Q201      | ET-338543 | TR 2SC1571 F,G,H                        |
| 1-BD        | ED-200213 | △ D SILICON DBA40C-K15<br>200/2.6A      |
| 1-D310,311  | ED-237960 | D ZENER H WZ-150                        |
| 1-D312      | ED-337722 | D ZENER H WZ-220                        |
| 1-J301      | EJ-336904 | PIN J AJC-036-ACB P 6P                  |
| 1-J302      | EJ-336905 | PIN J AJC-035-ACB P 4P                  |
| 1-SW1       | ES-341925 | SW PUSH ESB-62595 4 THROW               |
| 1-SW2       | ES-341926 | SW PUSH ESB-62596 2 THROW               |
| 1-VR1       | EV-345493 | VR ORTARY 16P20x3D 31Z254               |
| 1-L101to104 | EO-318635 | COIL FIX 1 LAL04SK 2.20UH K<br>(V ONLY) |
| 1-L105      | EO-338420 | COIL FIX 2 FL12R202E 2.00MH<br>(V ONLY) |
| 1-L201to204 | EO-318635 | COIL FIX 1 LAL04SK 2.20UH K<br>(V ONLY) |
| 1-L205      | EO-338420 | COIL FIX 2 FL12R202E 2.00MH             |
| 1-FL10,20   | EO-348993 | COIL BALUN *AM-U1                       |
| 1-R133      | ER-341921 | R OMF H S30-H 3W R33J                   |
| 1-R134      | ER-337668 | R OMF H S20-H 2W 4R7J                   |
| 1-R233      | ER-341921 | R OMF H S30-H 3W R33J                   |
| 1-R234      | ER-337668 | R OMF H S20-H 2W 4R7J                   |
| 1-R307,308  | ER-337669 | R OMF H S20-H 2W 122J                   |
| 1-R310      | ER-337670 | R OMF H S20-H 2W 681J                   |
| 1-R311      | ER-341920 | △ R FUSE ERQ14AJ S10 1/4W<br>101J       |
| 1-C308,309  | EC-337962 | C EC V CUT SM 472M 35.0DC               |
| 1-TM301     | EJ-337191 | TERMINAL W/SCREW ANB-015-<br>ACA P 4P   |

### POWER SW P.C BOARD

|         |           |   |
|---------|-----------|---|
| 1-SW901 | ES-337902 | △ SW PUSH SDDL1P 01-1                   |
| 1-C901U | EC-320548 | △ C CE V F 103Z 250AC (U)               |
| 1-C901C | EC-314688 | △ C CE V FZ 103P 125AC (C,A)            |
| 1-C901E | EC-338496 | △ C CE V FZ 472P 400AC<br>(E,V,B,S)     |
| 1-FL301 | EO-338409 | △ COIL LF FK0B160MH02 250UH<br>(V ONLY) |

### TONE P.C BOARD

|       |           |                          |
|-------|-----------|--------------------------|
| 1-VR3 | EV-339857 | VR SLIDE 60P2SV0F 25A104 |
| 1-VR4 | EV-339856 | VR SLIDE 60P2SV0E 15A104 |

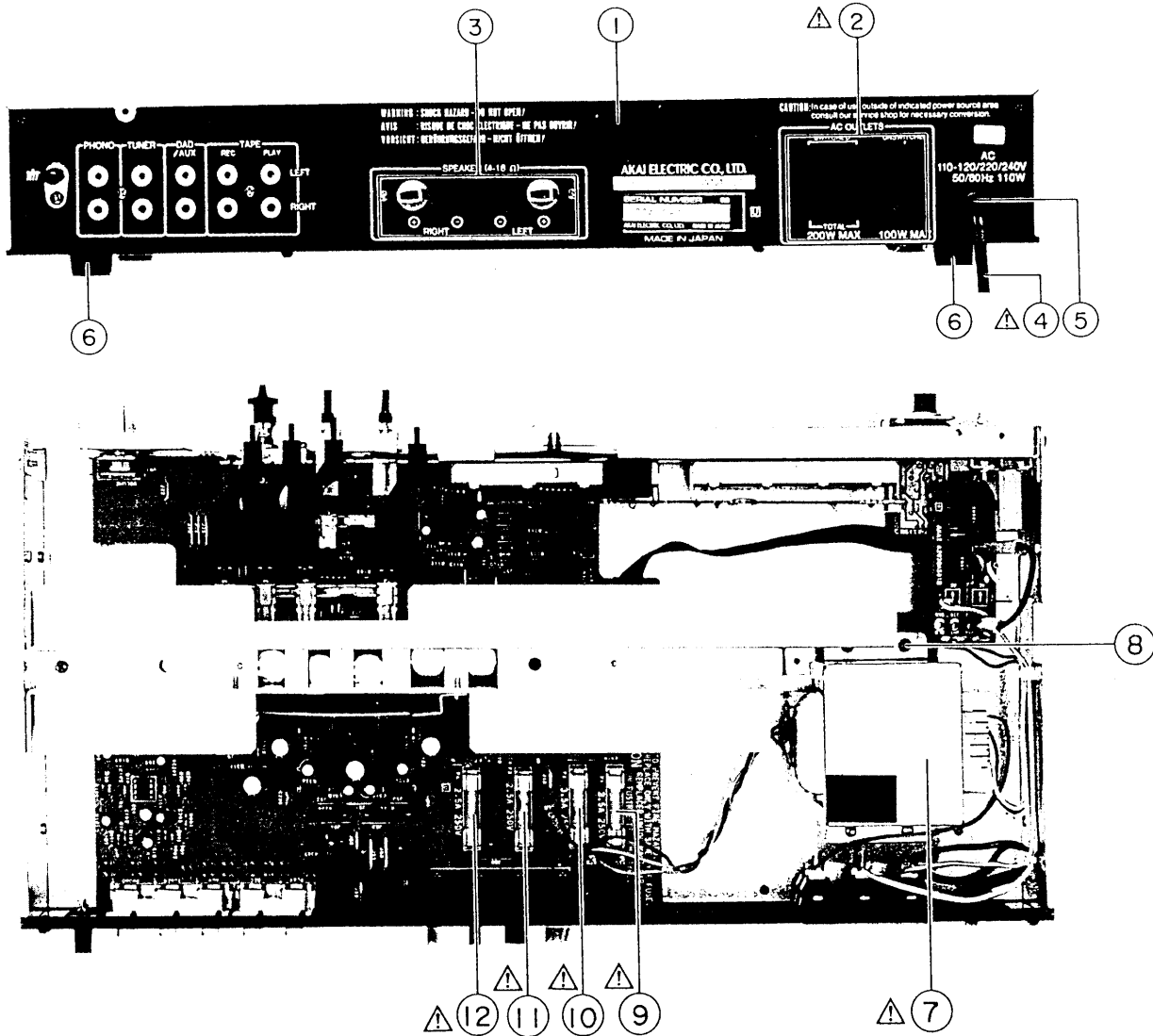
### PHONE P.C BOARD

|            |           |   |
|------------|-----------|---|
| 1-J303     | EJ-341924 | HONE J 3P HLJ4308-040 6.3 2C            |
| 1-L106,206 | EO-318635 | COIL FIX 1 LAL04SK 2.20UH K<br>(V ONLY) |
| 1-R139,239 | ER-341922 | R OMF H S15-H 1W 181J                   |

### BALANCE P.C BOARD

|       |           |                          |
|-------|-----------|--------------------------|
| 1-VR2 | EV-339859 | VR ROTARY 16P20x2Z 1Z254 |
|-------|-----------|--------------------------|

# ASSEMBLY BLOCK

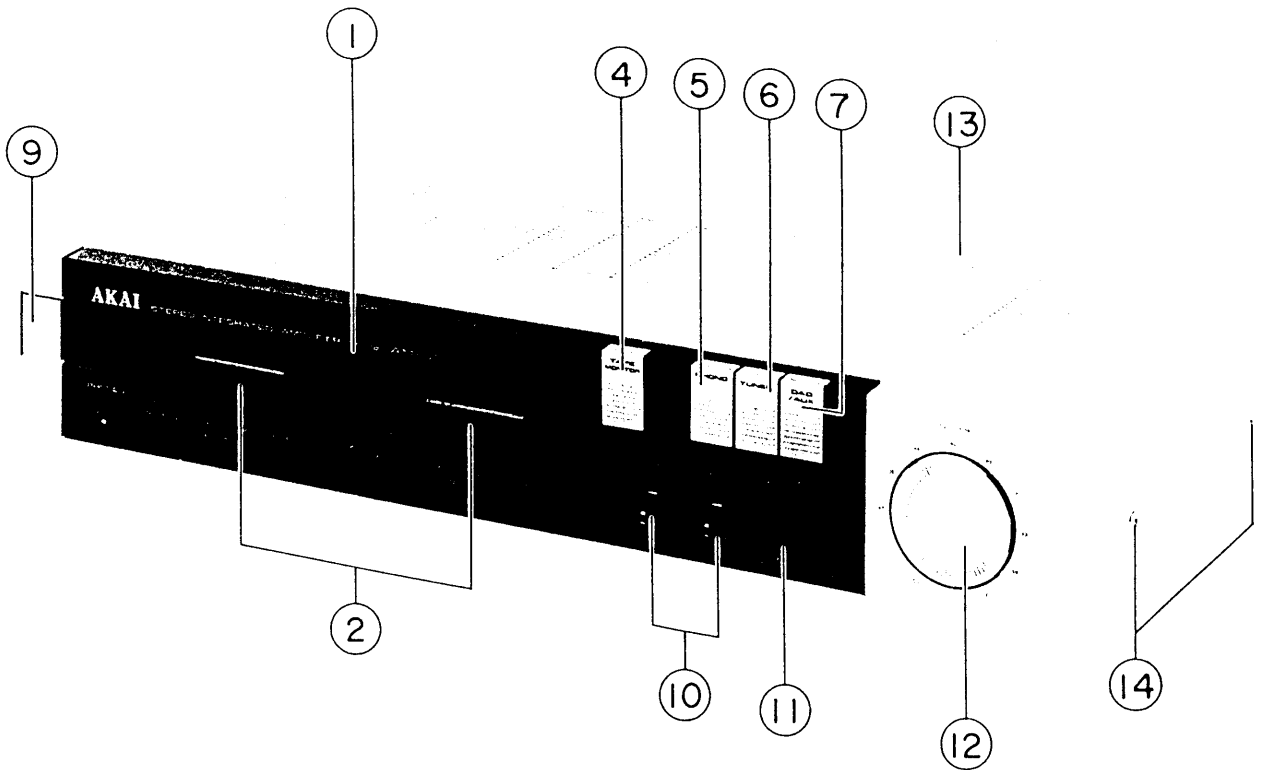


## 2. ASSEMBLY BLOCK

| REF. NO. | PARTS NO.  | DESCRIPTION                                  | REF. NO. | PARTS NO. | DESCRIPTION                               |
|----------|------------|--|----------|-----------|---|
| 2-1U     | SP-341441G | PANEL REAR AM-U1(U)                          | 2-7B     | BT-339849 | △ TRANS POWER PT401AUBS (T901)(B,S)       |
| 2-1C     | SP-341441H | PANEL REAR AM-U1(C,A)                        | 2-8      | ZS-300519 | ST PAN40x08STL CMT                        |
| 2-1E     | SP-341441K | PANEL REAR AM-U1(E)                          | 2-9U     | EF-337677 | △ FUSE B 250V 3.50A (F1)(U)               |
| 2-1V     | SP-341441L | PANEL REAR AM-U1(V)                          | 2-9C     | EF-341929 | △ FUSE ULCS-61ML A 125V 3.50A (F1)(C,A)   |
| 2-1B     | SP-341441J | PANEL REAR AM-U1(B,S)                        | 2-9E     | EF-300606 | △ FUSE FST3100 T 250V 2.50V (F1)(E,V,B,S) |
| 2-2      | EJ-338519  | △ SOCKET OUTLETS 0503#02 UC 3P (J901)(U,C,A) | 2-10U    | EF-337677 | △ FUSE B 250V 3.50A (F2)(U)               |
| 2-3      | EJ-339850  | TERMINAL W/SCREW 2230150 L 1P (TM901)        | 2-10C    | EF-341929 | △ FUSE ULCS-61ML A 125V 3.50A (F2)(C,A)   |
| 2-4U     | EW-374894  | △ AC CORD 2 CORES VM-0129A, VFF U/T (U)      | 2-10E    | EF-300606 | △ FUSE FST3100 T 250V 2.50V (F2)(E,V,B,S) |
| 2-4C     | EW-305691  | △ AC CORD 2 CORES KP-8, SPT-1 UC (C,A)       | 2-11U    | EF-337678 | △ FUSE B 250V 2.50A (F3)(U)               |
| 2-4E     | EW-346251  | △ AC CORD 2 CORES VM0364, NR N/851 EV (E,V)  | 2-11C    | EF-557730 | △ FUSE ULCS-61M A 250V 3.00A (F3)(C,A)    |
| 2-4B     | EW-346249  | △ AC CORD 2 CORES LCFL2 x 0.75 B (B)         | 2-11E    | EF-300606 | △ FUSE FST3100 T 250V (F3)(E,V,B,S)       |
| 2-4S     | EW-336924  | △ AC CORD 2 CORES KP-560, LTSA-2F S (S)      | 2-12U    | EF-337678 | △ FUSE B 250V 2.50A (F4)(U)               |
| 2-5      | EZ-631945  | STRAIN RELIEF SR-4N-4                        | 2-12C    | EF-557730 | △ FUSE ULCS-61M A 250V 3.00A (F4)(C,A)    |
| 2-6      | SA-327847  | TRAN LEG T-H                                 | 2-12E    | EF-300606 | △ FUSE FST3100 T 250V 2.50V (F4)(E,V,B,S) |
| 2-7U     | BT-339852  | △ TRANS POWER PT401EX (T901)(U)              | 2-13x    | EF-300585 | △ FUSE EAK T 250V 0.80A (F5)(B ONLY)      |
| 2-7C     | BT-339853  | △ TRANS POWER PT401ULCA (T901)(C,A)          | 2-14x    | ZW-305013 | RV POP32 (A ONLY)                         |
| 2-7E     | BT-339848  | △ TRANS POWER PT401CE (T901)(E,V)            |          |           |   |

PARTS LIST AM-U1

## FINAL ASSEMBLY BLOCK



### 3. FINAL ASSEMBLY BLOCK

| REF. NO. | PARTS NO.     | DESCRIPTION             | REF. NO.    | PARTS NO.  | DESCRIPTION                               |
|----------|---------------|-------------------------|-------------|------------|---|
| 3-1      | BD-A2026A020A | PANEL FRONT BLK AM-U1   |             |            | <b>FINAL ASSEMBLY BLOCK</b>               |
| 3-1P     | BD-A2026A020B | PANEL FRONT BLK AM-U1-P | 3-10        | SK-345386  | KNOB PUSH                                 |
| 3-1S     | BD-A2026A020C | PANEL FRONT BLK AM-U1-S | 3-10S       | SK-345386B | KNOB PUSH                                 |
| 3-2      | SK-B345384    | KNOB SLIDE PART         | 3-11        | SK-332534D | KNOB ROTARY (D)                           |
| 3-2S     | SK-B345384C   | KNOB SLIDE-S PART       | 3-11S       | SK-332534F | KNOB ROTARY-S                             |
| 3-3x     | SZ-341455     | HOLDER TONE KNOB        | 3-12        | SK-345375B | KNOB VOLUME (B)                           |
| 3-4      | SK-345385A    | KNOB PUSH (A)           | 3-12P       | SK-345375D | KNOB VOLUME (B)-P                         |
| 3-4P     | SK-345385E    | KNOB PUSH (A)-P         | 3-13        | SP-345379A | COVER UPPER                               |
| 3-5      | SK-345385B    | KNOB PUSH (B)           | 3-13P       | SP-345379B | COVER UPPER-P                             |
| 3-5P     | SK-345385F    | KNOB PUSH (B)-P         | 3-14        | ZS-341959  | ST BID40x06STL NI3                        |
| 3-6      | SK-345385C    | KNOB PUSH (C)           | 3-14P       | ZS-341960  | ST BID40x06STL BNI                        |
| 3-6P     | SK-345385G    | KNOB PUSH(C)-P          |             |            | <b>INPUT SELECTOR INDICATOR P.C BOARD</b> |
| 3-7      | SK-345385D    | KNOB PUSH (D)           | 3-D301to304 | ED-322773  | D LED SLP-255D-01 GRN                     |
| 3-7P     | SK-345385H    | KNOB PUSH (D)-P         |             |            | <b>POWER INDICATOR P.C BOARD</b>          |
| 3-8x     | ZG-341458     | SP PUSH MODE KNOB       | 3-D305      | ED-322247  | D LED SLP151D RED                         |
| 3-9      | SK-343017C    | KNOB POWER (2)          |             |            |   |
| 3-9P     | SK-343017D    | KNOB POWER (2)-P        |             |            |   |



## II. MODEL AM-U2/F

### RECOMMENDED SPARE PARTS

Because, if the parts listed below are on hand, almost any repair can be accomplished, we suggest that you stock these Recommended Spare Parts Items.

| REF. NO. | PARTS NO. | DESCRIPTION                                       |
|----------|-----------|---|
| 1        | BT-349205 | △ TRANS POWER AM-U2-F40<br>(T901)(U2-F)           |
| 2        | BT-336887 | △ TRANS POWER AM-U2 10T-20<br>(T901)(A)           |
| 3        | BT-336888 | △ TRANS POWER AM-U2 10T-30<br>(T901)(C)           |
| 4        | BT-336889 | △ TRANS POWER AM-U2 10T-40<br>(T901)(E)           |
| 5        | BT-336890 | △ TRANS POWER AM-U2 10T-40-2<br>(T901)(V)         |
| 6        | BT-336891 | △ TRANS POWER AM-U2 10T-50<br>(T901)(B,S)         |
| 7        | BT-336893 | △ TRANS POWER AM-U2 10T-70<br>(T901)(U)           |
| 8        | ED-200213 | △ D SILICON DBA40C-K15 200/2.6A                   |
| 9        | ED-300924 | △ D SILICON GP08D 200/0.8A                        |
| 10       | ED-309341 | D GERMA H 1K34A                                   |
| 11       | ED-348886 | D LED SG238W GRN                                  |
| 12       | ED-337395 | D LED SR538W RED                                  |
| 13       | ED-301911 | D SILICON H DS448                                 |
| 14       | ED-330218 | D ZENER H HZ15L 2                                 |
| 15       | ED-344178 | D ZENER H HZ18L 2                                 |
| 16       | ED-323354 | D ZENER H 05Z6.2 X                                |
| 17       | EF-325683 | △ FUSE GGS A 125V 5.00A (F2)(C,A)                 |
| 18       | EF-325683 | △ FUSE GGS A 125V 5.00 A (F4)(U)                  |
| 19       | EF-623103 | △ FUSE SEMKO T 250V 1.00A<br>(F1)(E,V,B,S,U2-F)   |
| 20       | EF-601301 | △ FUSE SEMKO T 250V 2.00A<br>(F3,4)(E,V,B,S,U2-F) |
| 21       | EF-249851 | △ FUSE SEMKO T 250V 5.00A<br>(F2)(E,V,B,S,U2-F)   |
| 22       | EF-306949 | △ FUSE TSC A 250V 1.25A<br>(F2,3)(U 220/240V)     |
| 23       | EF-306951 | △ FUSE TSC A 250V 2.50A (F1)(U 110V)              |
| 24       | EF-306954 | △ FUSE TSC 125V 2.00A (F3,4)(C,A)                 |
| 25       | EF-306954 | △ FUSE TSC 125V 2.00A (F5,6)(U)                   |
| 26       | EF-323080 | △ FUSE TSC 125V 3.15A (F1)(C,A)                   |
| 27       | EI-315799 | IC HA12019  |
| 28       | EI-336917 | △ IC STK463 ST (IC901)(EXCEPT U2-F)               |
| 29       | EI-349206 | △ IC STK465A ST (IC901)(U2-F)                     |
| 30       | EI-346071 | IC M5218L-21                                      |
| 31       | EI-322599 | IC TA75458S                                       |
| 32       | EM-336916 | IND FL BG189Z GRAPH                               |
| 33       | ER-200595 | △ R FUSE ERD2FC S10 1/4W 5R6J                     |
| 34       | ES-337902 | △ SW PUSH SDLD1P 01-1                             |
| 35       | ES-336897 | SW PUSH ESB-62532 2-02-02S                        |
| 36       | ES-348891 | SW PUSH ESB-62785 4-THROW                         |
| 37       | ES-348892 | SW PUSH ESB-62786 2-THROW                         |
| 38       | ET-345626 | △ TR 2SA1248 S,T                                  |
| 39       | ET-345625 | △ TR 2SC3116 S,T                                  |
| 40       | ET-322778 | TR 2SA608K-NP E,F,G                               |
| 41       | EV-315412 | R S-FIX H D8 3P 502                               |
| 42       | EV-336911 | VR ROTARY 16P10×1J SPECIAL W105                   |
| 43       | EV-348887 | VR ROTARY 16P20×3E C104                           |
| 44       | EV-348888 | VR ROTARY 16P20×3F B104                           |
| 45       | EV-348889 | VR ROTARY 16P20×3G C104                           |

## 1. MAIN P.C BOARD BLOCK

| REF. NO. | PARTS NO.     | DESCRIPTION                        |
|----------|---------------|------------------------------------|
| 1-1U     | BA-A2027A020A | PC MAIN BLK AM-U2 (U) (U,C,A)      |
| 1-1E     | BA-A2027A020B | PC MAIN BLK AM-U2 (E) (E,B,S)      |
| 1-1V     | BA-A2027A020C | PC MAIN BLK AM-U2 (V) (V)          |
| 1-1UP    | BA-A2027A020D | PC MAIN BLK AM-U2-P (U)<br>(U,C,A) |
| 1-1EP    | BA-A2027A020E | PC MAIN BLK AM-U2-P (E)<br>(E,B,S) |
| 1-1VP    | BA-A2027A020F | PC MAIN BLK AM-U2-P (V) (V)        |
| 1-1F     | BA-A2027A020G | PC MAIN BLK AM-U2-F (U2-F)         |

### MAIN AMP P.C BOARD

|           |           |   |
|-----------|-----------|---|
| 1-IC1A    | EI-322599 | IC TA75458S                             |
| 1-TR1A    | ET-322778 | TR 2SA608K-NP E,F,G                     |
| 1-TR2A    | ET-345626 | △ TR 2SA1248 S,T                        |
| 1-TR3A    | ET-345625 | △ TR 2SC3116 S,T                        |
| 1-D1A,2A  | ED-301911 | D SILICON H DS448                       |
| 1-D3A,4A  | ED-344178 | D ZENER H HZ18L 2                       |
| 1-D5A     | ED-200213 | △ D SILICON DBA40C-K15 200/2.6A         |
| 1-D6A     | ED-300924 | △ D SILICON GP08D 200/0.8A              |
| 1-D7A     | ED-301911 | D SILICON H DS448                       |
| 1-D8A     | ED-309341 | D GERMA H 1K34A                         |
| 1-D9A     | ED-323354 | D ZENER H 05Z6.2 X                      |
| 1-D10A    | ED-330218 | D ZENER H HZ15L 2                       |
| 1-J1A     | EJ-336900 | PHONE J 3P HLJ0316-523 6.3              |
| 1-J1AP    | EJ-336901 | PHONE J 3P HLJ0316-520 6.3 (U2-P)       |
| 1-SW1A    | ES-336897 | SW PUSH ESB-52512 2-02-025              |
| 1-L1A     | EO-336902 | COIL DET 2 106AK-026 1.00UH             |
| 1-L2A     | EO-336934 | COIL FIX 1 LAL03KH 2.20UH M<br>(V ONLY) |
| 1-VR1A    | EV-348889 | VR ROTARY 16P20×3G C104                 |
| 1-VR2A    | EV-348887 | VR ROTARY 16P20×3E C104                 |
| 1-VR3A    | EV-315412 | R S-FIX H D8 3P 502                     |
| 1-FR1A,2A | ER-200595 | △ R FUSE ERD2FC S10 1/4W 5R6J           |
| 1-R5A     | ER-322787 | △ R CB H S10 FS RDS 1/4W 100J           |
| 1-R8A     | ER-336920 | △ R CT P F09 PLATE 3W R33K              |
| 1-R10A    | ER-308875 | △ R CB H S15 FS RDS 1/2W 100J           |
| 1-R23A    | ER-316802 | △ R CB H S10 FS RDS 1/4W 471J           |
| 1-R24A    | ER-321153 | △ R OMF H S15 FS 1W 102J                |
| 1-R36A    | ER-308028 | △ R OMF H S15 FS 1W 181J                |
| 1-R40A    | ER-336919 | △ R OMF H S15 FS 1W 121J                |
| 1-C4A     | EC-346879 | C PP V F05 PP 221J 50DC                 |
| 1-C5A     | EC-350672 | C PP V F05 PP 681J 50DC                 |
| 1-C28A    | EC-343382 | C EC V CUT SM 682M 45.0DC               |
| 1-C28AF   | EC-306321 | C EC V S10 NM 472 50.0DC (U2-F)         |
| 1-C29A    | EC-343382 | C EC V CUT SM 682M 45.0DC               |
| 1-C29AF   | EC-306321 | C EC V S10 NM 472 50.0DC (U2-F)         |

### EQUALIZER P.C BOARD

|           |           |   |
|-----------|-----------|---|
| 1-IC1B    | EI-346071 | IC M5218L-21                            |
| 1-J5B     | EJ-336904 | PIN J AJC-036-ACB P 6P                  |
| 1-J6B     | EJ-336905 | PIN J AJC-035-ACB P 4P                  |
| 1-L1B     | EO-338420 | COIL FIX 2 FL12R202E 2.00MH<br>(V ONLY) |
| 1-L2Bto5B | EO-336934 | COIL FIX 1 LAL03KH 2.20UH M<br>(V ONLY) |
| 1-R9B,10B | ER-316802 | △ R CB H S10 FS RDS 1/4W 471J           |
| 1-C2B     | EC-345606 | C PP V F05 PP 101J 50DC                 |

### FUNCTION P.C BOARD

|        |           |                           |
|--------|-----------|---------------------------|
| 1-SW1C | ES-348891 | SW PUSH ESB-62785 4-THROW |
|--------|-----------|---------------------------|

### SP P.C BOARD

|        |           |                           |
|--------|-----------|---------------------------|
| 1-SW1D | ES-348892 | SW PUSH ESB-62786 2-THROW |
|--------|-----------|---------------------------|

### BALANCE P.C BOARD

|        |           |                                 |
|--------|-----------|---------------------------------|
| 1-VR1E | EV-336911 | VR ROTARY 16P10×1J SPECIAL W105 |
|--------|-----------|---------------------------------|

### MAIN VR P.C BOARD

|        |           |                         |
|--------|-----------|-------------------------|
| 1-VR1F | EV-348888 | VR ROTARY 16P20×3F B104 |
|--------|-----------|-------------------------|

## 2. POWER P.C BOARD BLOCK

| REF. NO. | PARTS NO. | DESCRIPTION                           |
|----------|-----------|---------------------------------------|
| 2-SW1    | ES-337902 | △ SW PUSH SDLD1P 01-1                 |
| 2-C1U    | EC-320548 | △ C CE V F 103Z 250AC (U)             |
| 2-C1C    | EC-314688 | △ C CE V FZ 103P 125AC (C,A)          |
| 2-C1E    | EC-338496 | △ C CE V FZ 472P 400AC (E,V,B,S,U2-F) |

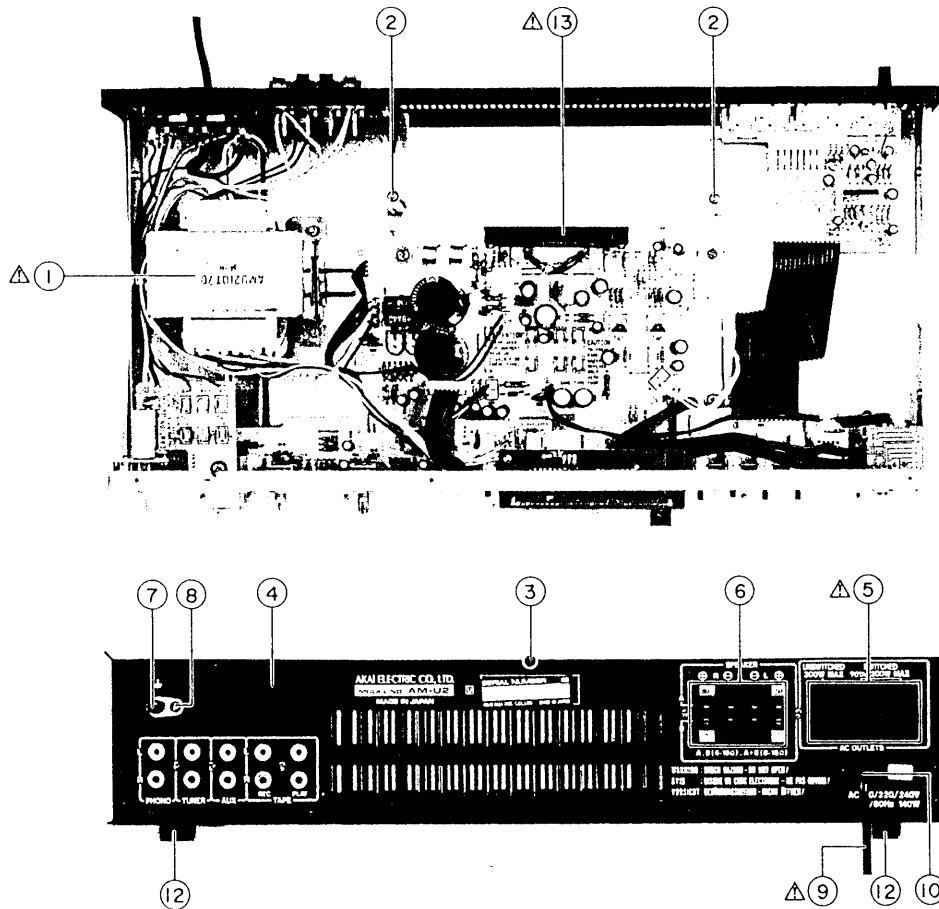
## 3. METER P.C BOARD BLOCK

| REF. NO. | PARTS NO. | DESCRIPTION         |
|----------|-----------|---------------------|
| 3-IC1    | EI-315799 | IC HA12019          |
| 3-IND1   | EM-336916 | IND FL BG189Z GRAPH |

## 4. FILTER P.C BOARD (V MODEL ONLY)

| REF. NO. | PARTS NO. | DESCRIPTION                   |
|----------|-----------|-------------------------------|
| 4-TM1    | EJ-343378 | TERMINAL PUSH SQ-2783#90 P 8P |
| 4-L1     | EO-342936 | COIL BALUN                    |
| 4-L2     | EO-338409 | COIL LF FKOB160MH02 250UH     |
| 4-C1,C2  | EC-684718 | C CE V F 103Z 50DC            |

# ASSEMBLY BLOCK

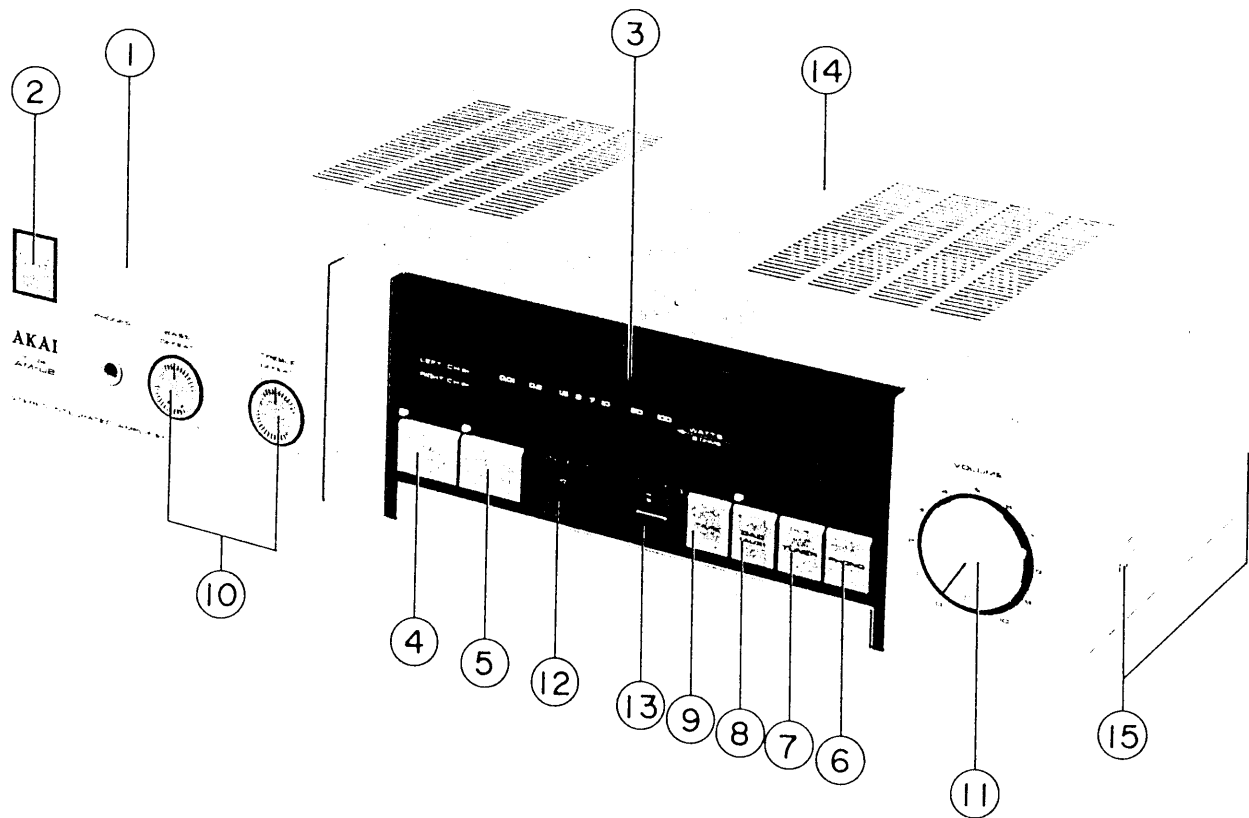


## 5. ASSEMBLY BLOCK

| REF. NO.              | PARTS NO.  | DESCRIPTION                                     |
|-----------------------|------------|---|
| <b>ASSEMBLY BLOCK</b> |            |   |
| 5-1U                  | BT-336893  | △ TRANS POWER AM-U210T-70 (T901)(U)             |
| 5-1C                  | BT-336888  | △ TRANS POWER AM-U210T-30 (T901)(C)             |
| 5-1A                  | BT-336887  | △ TRANS POWER AM-U210T-20 (T901)(A)             |
| 5-1E                  | BT-336889  | △ TRANS POWER AM-U210T-40 (T901)(E)             |
| 5-1V                  | BT-336890  | △ TRANS POWER AM-U210T-40-2 (T901)(V)           |
| 5-1B                  | BT-336891  | △ TRANS POWER AM-U210T-50 (T901)(B,S)           |
| 5-1F                  | BT-349205  | △ TRANS POWER AM-U2-F40 (T901)(U2-F)            |
| 5-2                   | ZS-322541  | SCREW HEAT SINK                                 |
| 5-3                   | ZS-319460  | T2BR30×06STL BZN PROJECTION                     |
| 5-4U                  | SP-345706A | PANEL REAR AM-U2 (U)                            |
| 5-4C                  | SP-345706B | PANEL REAR AM-U2 (C,A)                          |
| 5-4E                  | SP-345706C | PANEL REAR AM-U2 (E,V)                          |
| 5-4B                  | SP-345706D | PANEL REAR AM-U2 (B,S)                          |
| 5-4F                  | SP-345706E | PANEL REAR AM-U2 (F)(U2-F)                      |
| 5-5U                  | EJ-240535  | △ SOCKET OUTLET S-16526 U 3×2P (J901)(U,A)      |
| 5-5C                  | EJ-332248  | △ SOCKET OUTLET S-16527#01 3×2P (J901)(C)       |
| 5-6                   | EJ-343389  | TERMINAL PUSH S-Q2780#90 S 8P (TM901)(EXCEPT V) |
| 5-7                   | EJ-329610  | TERMINAL W/SCREW UB-0067 L 1P (TM902)           |
| 5-8                   | ZS-447761  | T2BR30×06STL BNI                                |
| 5-9U                  | EW-306428  | △ AC CORD 2 CORES KP-700A, VFF U/T (U)          |

| REF. NO.               | PARTS NO. | DESCRIPTION                                      |
|------------------------|-----------|--|
| 5-9C                   | EW-305691 | △ AC CORD 2 CORES KP-8, SPT-1 UC (C,A)           |
| 5-9E                   | EW-336923 | △ AC CORD 2 CORES KP-419C, LTCE-2F EV (E,V,U2-F) |
| 5-9B                   | EW-347025 | △ AC CORD 2 CORES LTBS-2F B (B)                  |
| 5-9S                   | EW-336924 | △ AC CORD 2 CORES KP-560, LTSA-2F S (S)          |
| 5-10                   | EZ-631945 | STRAIN RELIEF SR-4N-4                            |
| 5-11x                  | ZW-305013 | RV POP32 (A ONLY)                                |
| 5-12                   | SA-332850 | ROUND FOOT                                       |
| 5-F1U                  | EF-306951 | △ FUSE TSC A 250V 2.50A (U 110V AREA)            |
| 5-F2U                  | EF-306949 | △ FUSE TSC A 250V 1.25A (U 220V AREA)            |
| 5-F3U                  | EF-306949 | △ FUSE TSC A 250V 1.25A (U 240V AREA)            |
| 5-F4U                  | EF-325863 | △ FUSE GGS A 125V 5.00A (U)                      |
| 5-F5U,6U               | EF-306954 | △ FUSE TSC 125V 2.00A (U)                        |
| 5-F1C                  | EF-323080 | △ FUSE TSC 125V 3.15A (C,A)                      |
| 5-F2C                  | EF-325683 | △ FUSE GGS A 125 V 5.00A (C,A)                   |
| 5-F3C,4C               | EF-306954 | △ FUSE TSC 125V 2.00A (C,A)                      |
| 5-F1E                  | EF-623103 | △ FUSE SEMKO T 250V 1.00A (E,V,B,S,U2-F)         |
| 5-F2E                  | EF-249851 | △ FUSE SEMKO T 250V 5.00A (E,V,B,S,U2-F)         |
| 5-F3E,4E               | EF-601301 | △ FUSE SEMKO T 250V 2.00A (E,V,B,S,U2-F)         |
| <b>HEAT SINK BLOCK</b> |           |  |
| 5-13U                  | EI-336917 | △ IC STK463 ST (IC901) (EXCEPT U2-F)             |
| 5-13F                  | EI-349206 | △ IC STK465A ST (IC901)(U2-F)                    |

**FINAL ASSEMBLY BLOCK**



**6. FINAL ASSEMBLY BLOCK**

| REF. NO.                 | PARTS NO.     | DESCRIPTION             |
|--------------------------|---------------|-------------------------|
| 6-1                      | BD-A2027A060A | PANEL FRONT BLK AM-U2   |
| 6-1P                     | BD-A2027A060B | PANEL FRONT BLK AM-U2-P |
| <b>PANEL FRONT BLOCK</b> |               |                         |
| 6-2                      | SK-343017C    | KNOB POWER (2)          |
| 6-2P                     | SK-343017D    | KNOB POWER (2)-P        |
| 6-3                      | SE-345106B    | WINDOW METER (B)        |
| 6-4                      | SK-345703A    | KNOB PUSH (B-1)         |
| 6-4P                     | SK-345703B    | KNOB PUSH (B-1)-P       |
| 6-5                      | SK-345703C    | KNOB PUSH (B-2)         |
| 6-5P                     | SK-345703D    | KNOB PUSH (B-2)-P       |
| 6-6                      | SK-345704A    | KNOB PUSH (A-1)         |
| 6-6P                     | SK-345704B    | KNOB PUSH (A-1)-P       |
| 6-7                      | SK-345704C    | KNOB PUSH (A-2)         |
| 6-7P                     | SK-345704D    | KNOB PUSH (A-2)-P       |
| 6-8                      | SK-345704E    | KNOB PUSH (A-3)         |
| 6-8P                     | SK-345704F    | KNOB PUSH (A-3)-P       |
| 6-9                      | SK-345704G    | KNOB PUSH (A-4)         |
| 6-9P                     | SK-345704H    | KNOB PUSH (A-4)-P       |

**LED (S) P.C BOARD**

|          |           |                  |
|----------|-----------|------------------|
| 6-D1A,2A | ED-348886 | D LED SG238W GRN |
|----------|-----------|------------------|

| REF. NO.                    | PARTS NO.  | DESCRIPTION        |
|-----------------------------|------------|--------------------|
| <b>LED (F) P.C BOARD</b>    |            |                    |
| 6-D1Bto3B                   | ED-348886  | D LED SG238W GRN   |
| 6-D4B                       | ED-337395  | D LED SR538W RED   |
| <b>FINAL ASSEMBLY BLOCK</b> |            |                    |
| 6-10                        | SK-345701A | KNOB ROTARY (A)    |
| 6-10P                       | SK-345701B | KNOB ROTARY (A)-P  |
| 6-11                        | SK-345702A | KNOB ROTARY (B)    |
| 6-11P                       | SK-345702B | KNOB ROTARY (B)-P  |
| 6-12                        | SK-332534D | KNOB ROTARY (D)    |
| 6-13                        | SK-345700  | KNOB PUSH (C)      |
| 6-14                        | SP-332527C | COVER UPPER (B)    |
| 6-14P                       | SP-332527D | COVER UPPER (B)-P  |
| 6-15                        | ZS-322570  | ST BID40x08STL N13 |

**SYMBOL FOR COLOR VARIATION**  
 NONE-SILVER  
 P-PEARL SHADOW

# INDEX

## 1. MODEL AM-U1

| PARTS NO.     | REF. NO. | PARTS NO. | REF. NO. | PARTS NO.  | REF. NO. | PARTS NO.  | REF. NO. | PARTS NO. | REF. NO. |
|---------------|----------|-----------|----------|------------|----------|------------|----------|-----------|----------|
| BA-A2026A030A | 1-1U     | EF-341929 | 2-10C    | ES-337902  | 1-SW901  | SP-341441K | 2-1E     |           |          |
| BA-A2026A030B | 1-1C     | EF-557730 | 2-11C    | ES-341925  | 1-SW1    |            |          |           |          |
| BA-A2026A030C | 1-1E     | EF-557730 | 2-12C    | ES-341926  | 1-SW2    | SP-341441L | 2-1V     |           |          |
| BA-A2026A030D | 1-1V     | EI-338500 | 1-IC2    | ET-338543  | 1-Q101   | SP-345379A | 3-13     |           |          |
| BA-A2026A030E | 1-1B     | EI-344764 | 1-IC1    | ET-338543  | 1-Q201   | SP-345379B | 3-13P    |           |          |
| BD-A2026A020A | 3-1      | EJ-336904 | 1-J301   | EV-339856  | 1-VR4    | SZ-341455  | 3-3X     |           |          |
| BD-A2026A020B | 3-1P     | EJ-336905 | 1-J302   | EV-339857  | 1-VR3    | ZG-341458  | 3-8X     |           |          |
| BD-A2026A020C | 3-1S     | EJ-337191 | 1-TM301  | EV-339859  | 1-VR2    | ZS-300519  | 2-8      |           |          |
| BT-339848     | 2-7E     | EJ-338519 | 2-2      | EV-345493  | 1-VR1    | ZS-341959  | 3-14     |           |          |
| BT-339849     | 2-7B     | EJ-339850 | 2-3      | EW-305691  | 2-4C     | ZS-341960  | 3-14P    |           |          |
|               |          | EJ-341924 | 1-J303   | EW-336924  | 2-4S     | ZW-305013  | 2-14X    |           |          |
| BT-339852     | 2-7U     | EO-318635 | 1-L101   | EW-346249  | 2-4B     |            |          |           |          |
| BT-339853     | 2-7C     | EO-318635 | 1-L102   | EW-346251  | 2-4E     |            |          |           |          |
| EC-314688     | 1-C901C  | EO-318635 | 1-L103   | EW-374894  | 2-4U     |            |          |           |          |
| EC-320548     | 1-C901U  |           |          | EZ-631945  | 2-5      |            |          |           |          |
| EC-337962     | 1-C308   | EO-318635 | 1-L104   | SA-327847  | 2-6      |            |          |           |          |
| EC-337962     | 1-C309   | EO-318635 | 1-L201   | SK-B345384 | 3-2      |            |          |           |          |
| EC-338496     | 1-C901E  | EO-318635 | 1-L202   | SK-345384C | 3-2S     |            |          |           |          |
| ED-200213     | 1-BD     | EO-318635 | 1-L106   |            |          |            |          |           |          |
| ED-237960     | 1-D310   | EO-318635 | 1-L206   | SK-332534D | 3-11     |            |          |           |          |
| ED-237960     | 1-D311   | EO-318635 | 1-L203   | SK-332534F | 3-11S    |            |          |           |          |
|               |          | EO-318635 | 1-L204   | SK-343017C | 3-9      |            |          |           |          |
| ED-322247     | 3-D305   | EO-338409 | 1-FL301  | SK-343017D | 3-9P     |            |          |           |          |
| ED-322773     | 3-D301   | EO-338420 | 1-L105   | SK-345375B | 3-12     |            |          |           |          |
| ED-322773     | 3-D302   | EO-338420 | 1-L205   | SK-345375D | 3-12P    |            |          |           |          |
| ED-322773     | 3-D303   |           |          | SK-345385A | 3-4      |            |          |           |          |
| ED-322773     | 3-D304   | EO-348993 | 1-FL10   | SK-345385B | 3-5      |            |          |           |          |
| ED-337722     | 1-D312   | EO-348993 | 1-FL20   | SK-345385C | 3-6      |            |          |           |          |
| EF-300585     | 2-13X    | ER-337668 | 1-R234   | SK-345385D | 3-7      |            |          |           |          |
| EF-300606     | 2-9E     | ER-337668 | 1-R134   |            |          |            |          |           |          |
| EF-300606     | 1-10E    | ER-337669 | 1-R307   | SK-345385E | 3-4P     |            |          |           |          |
| EF-300606     | 2-11E    | ER-337669 | 1-R308   | SK-345385F | 3-5P     |            |          |           |          |
|               |          | ER-337670 | 1-R310   | SK-345385G | 3-6P     |            |          |           |          |
| EF-300606     | 1-12E    | ER-341920 | 1-R311   | SK-345385H | 3-7P     |            |          |           |          |
| EF-337677     | 2-9U     | ER-341921 | 1-R233   | SK-345386  | 3-10     |            |          |           |          |
| EF-337677     | 2-10U    | ER-341921 | 1-R133   | SK-345386B | 3-10S    |            |          |           |          |
| EF-337678     | 1-11U    |           |          | SP-341441G | 2-1U     |            |          |           |          |
| EF-337678     | 2-12U    | ER-341922 | 1-R139   | SP-341441H | 2-1C     |            |          |           |          |
| EF-341929     | 2-9C     | ER-341922 | 1-R239   | SP-341441J | 2-1B     |            |          |           |          |

## 2. MODEL AMU2/F

| PARTS NO.     | REF. NO. | PARTS NO. | REF. NO. | PARTS NO. | REF. NO. | PARTS NO.  | REF. NO. | PARTS NO. | REF. NO. |
|---------------|----------|-----------|----------|-----------|----------|------------|----------|-----------|----------|
| BA-A2027A020A | 1-1U     | ED-337395 | 6-D4B    | EJ-343389 | 5-6      | EW-336924  | 5-9S     | ZS-447761 | 5-8      |
| BA-A2027A020B | 1-1E     | ED-344178 | 1-D3A    | EM-336916 | 3-IDN1   | EW-347025  | 5-9B     | ZW-305013 | 5-11X    |
| BA-A2027A920C | 1-1V     | ED-344178 | 1-D4A    | EO-336902 | 1-L1A    |            |          |           |          |
| BA-A2027A020D | 1-1UP    | ED-348886 | 6-D1A    | EO-336934 | 1-L2A    | EZ-631945  | 5-10     |           |          |
| BA-A2027A020E | 1-1EP    |           |          | EO-336934 | 1-L2B    | SA-332850  | 5-12     |           |          |
| BA-A2027A020F | 1-1VP    | ED-348886 | 6-D2A    | EO-336934 | 1-L3B    | SE-345106B | 6-3      |           |          |
| BA-A2027A020G | 1-1F     | ED-348886 | 6-D1B    | EO-336934 | 1-L4B    | SK-332534D | 6-12     |           |          |
| BD-A2027A060A | 6-1      | ED-348886 | 6-D2B    | EO-336934 | 1-L5B    | SK-343017C | 6-2      |           |          |
| BD-A2027A060B | 6-1P     | ED-348886 | 6-D3B    | EO-338409 | 4-L2     | SK-343017D | 6-2P     |           |          |
| BT-336887     | 5-1A     | EF-249851 | 5-F2E    | EO-338420 | 1-L1B    | SK-345700  | 6-13     |           |          |
|               |          | EF-306949 | 5-F2U    | EO-342936 | 4-L1     | SK-345701A | 6-10     |           |          |
| BT-336888     | 5-1C     | EF-306949 | 5-F3U    | ER-200595 | 1-FR1A   | SK-345701B | 6-10P    |           |          |
| BT-336889     | 5-1E     | EF-306951 | 5-F1U    | ER-200595 | 1-FR2A   | SK-345702A | 6-11     |           |          |
| BT-336890     | 5-1V     | EF-306954 | 5-F5U    | ER-308028 | 1-F36A   |            |          |           |          |
| BT-336891     | 5-1B     | EF-306954 | 5-F6U    | ER-308875 | 1-R10A   | SK-345702B | 6-11P    |           |          |
| BT-336893     | 5-1U     |           |          | ER-316802 | 1-R23A   | SK-345703A | 6-4      |           |          |
| BT-349205     | 5-1F     | EF-306954 | 5-F3C    | ER-316802 | 1-R9B    | SK-345703B | 6-4P     |           |          |
| EC-306321     | 1-C28AF  | EF-306954 | 5-F4C    | ER-316802 | 1-R10B   | SK-345703C | 6-5      |           |          |
| EC-306321     | 1-C29AF  | EF-323080 | 5-F1C    | ER-321153 | 1-R24A   | SK-345703D | 6-5P     |           |          |
| EC-314688     | 2-C1C    | EF-325683 | 5-F4U    |           |          | SK-345704A | 6-6      |           |          |
| EC-320548     | 2-C1U    | EF-325683 | 5-F2C    | ER-322787 | 1-R5A    | SK-345704B | 6-6P     |           |          |
|               |          | EF-601301 | 5-F3E    | ER-336919 | 1-R40A   | SK-345704C | 6-7      |           |          |
| EC-338496     | 2-C1E    | EF-601301 | 5-F4E    | ER-336920 | 1-R8A    | SK-345704D | 6-7P     |           |          |
| EC-343382     | 1-C28A   | EF-623103 | 5-F1E    | ES-336897 | 1-SW1A   | SK-345704E | 6-8      |           |          |
| EC-343382     | 1-C29A   | EI-315799 | 3-IC1    | ES-337902 | 2-SW1    |            |          |           |          |
| EC-345606     | 1-C2B    | EI-322599 | 1-IC1A   | ES-348891 | 1-SW1C   | SK-345704F | 6-8P     |           |          |
| EC-346879     | 1-C4A    |           |          | ES-348892 | 1-SW1D   | SK-345704G | 6-9      |           |          |
| EC-350672     | 1-C5A    | EI-336917 | 5-13U    | ET-322778 | 1-TR1A   | SK-345704H | 6-9P     |           |          |
| EC-684718     | 4-C1     | EI-346071 | 1-IC1B   | ET-345625 | 1-TR3A   | SP-332527C | 6-14     |           |          |
| EC-684718     | 4-C2     | EI-349206 | 5-13F    | ET-345626 | 1-TR2A   | SP-332527D | 6-14P    |           |          |
| ED-200213     | 1-D5A    | EJ-240535 | 5-5U     |           |          | SP-345706A | 5-4U     |           |          |
| ED-300924     | 1-D6A    | EJ-329610 | 5-7      | EV-315412 | 1-VR3A   | SP-345706B | 5-4C     |           |          |
|               |          | EJ-332248 | 5-5C     | EV-336911 | 1-VR1E   | SP-345706C | 5-4E     |           |          |
| ED-301911     | 1-D1A    | EJ-336900 | 1-J1A    | EV-348887 | 1-VR2A   | SP-345706D | 5-4B     |           |          |
| ED-301911     | 1-D2A    | EJ-336901 | 1-J1AP   | EV-348888 | 1-VR1F   | SP-345706E | 5-4F     |           |          |
| ED-301911     | 1-D7A    | EJ-336904 | 1-J5B    | EV-348889 | 1-VR1A   |            |          |           |          |
| ED-309341     | 1-D8A    | EJ-336905 | 1-J6B    | EW-305691 | 5-9C     | ZS-319460  | 5-3      |           |          |
| ED-323354     | 1-D9A    |           |          | EW-306428 | 5-9U     | ZS-322570  | 6-15     |           |          |
| ED-330218     | 1-D10A   | EJ-343378 | 4-TM1    | EW-336923 | 5-9E     | ZS-332541  | 5-2      |           |          |

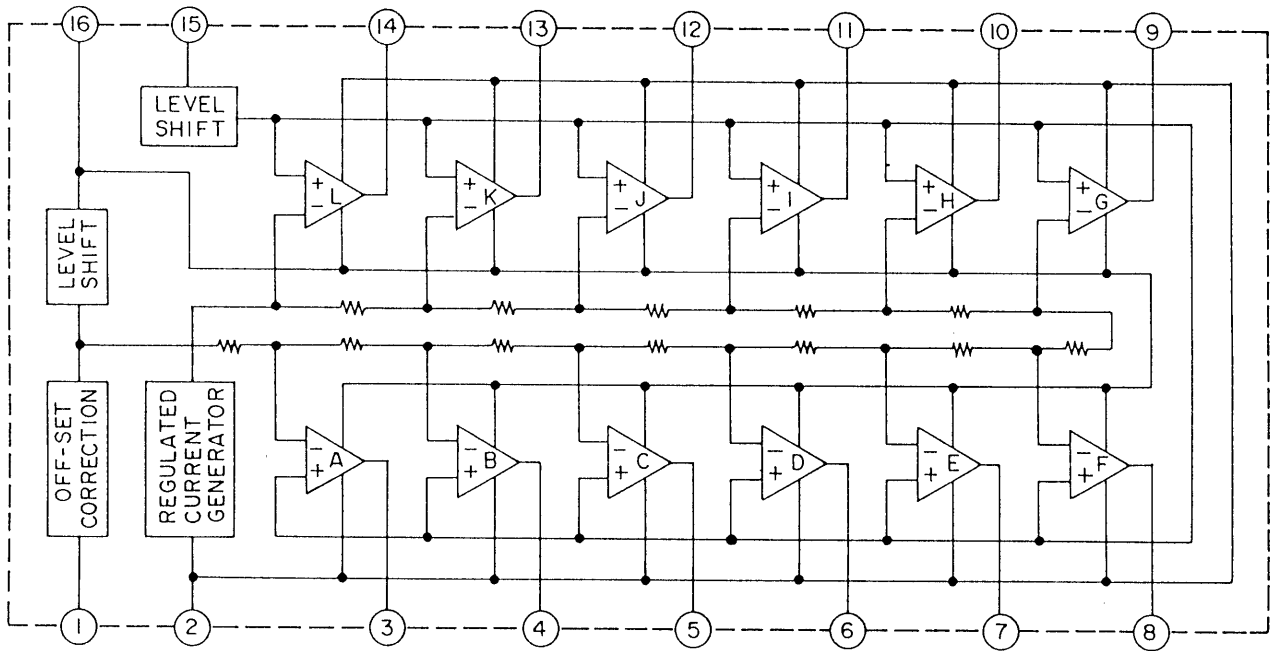
---

SECTION 4

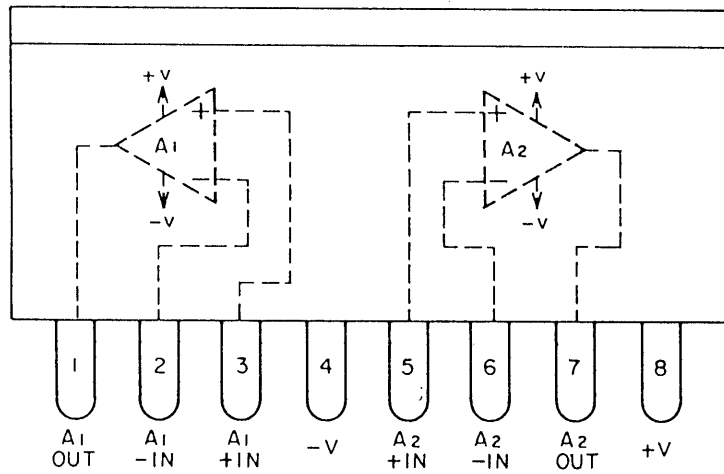
**SCHEMATIC DIAGRAM**

1. SCHEMATIC DIAGRAM OF IC's ..... 38  
2. AM-U1 No. 830720 SCHEMATIC DIAGRAM ..... 40  
3. AM-U2(F) No. 830721 SCHEMATIC DIAGRAM ..... 41

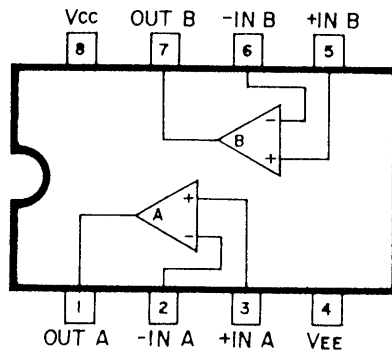
HA12019



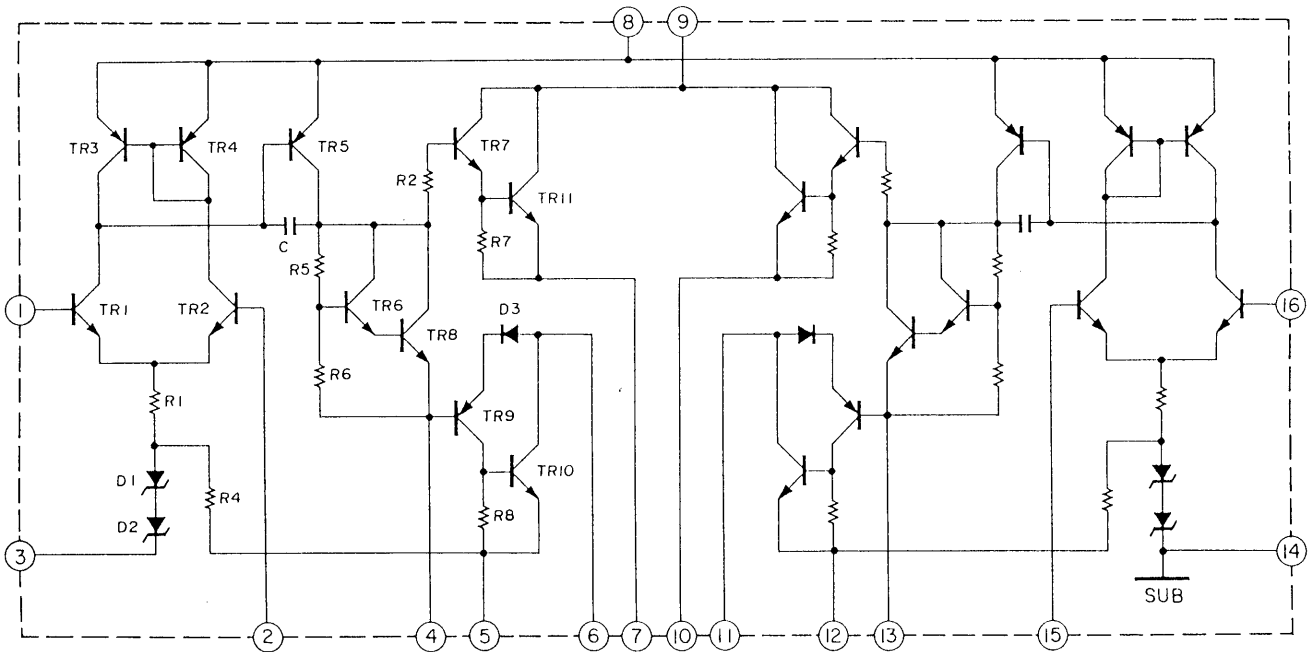
M5218L-21



M5218P-21

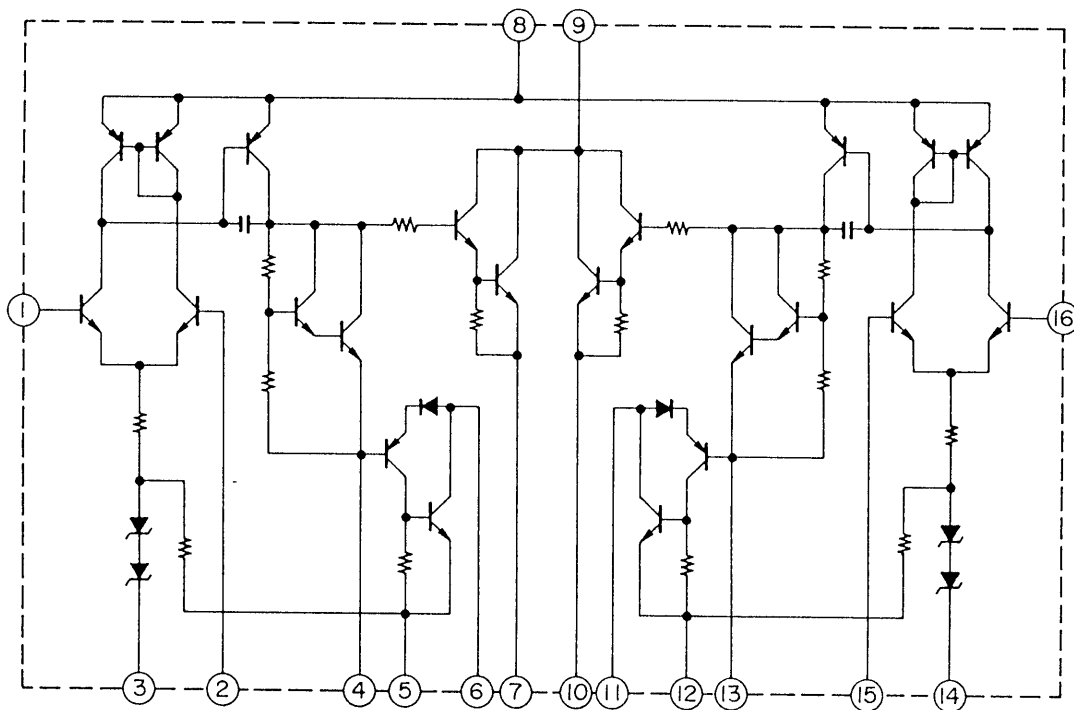


STK-461STK463-ST



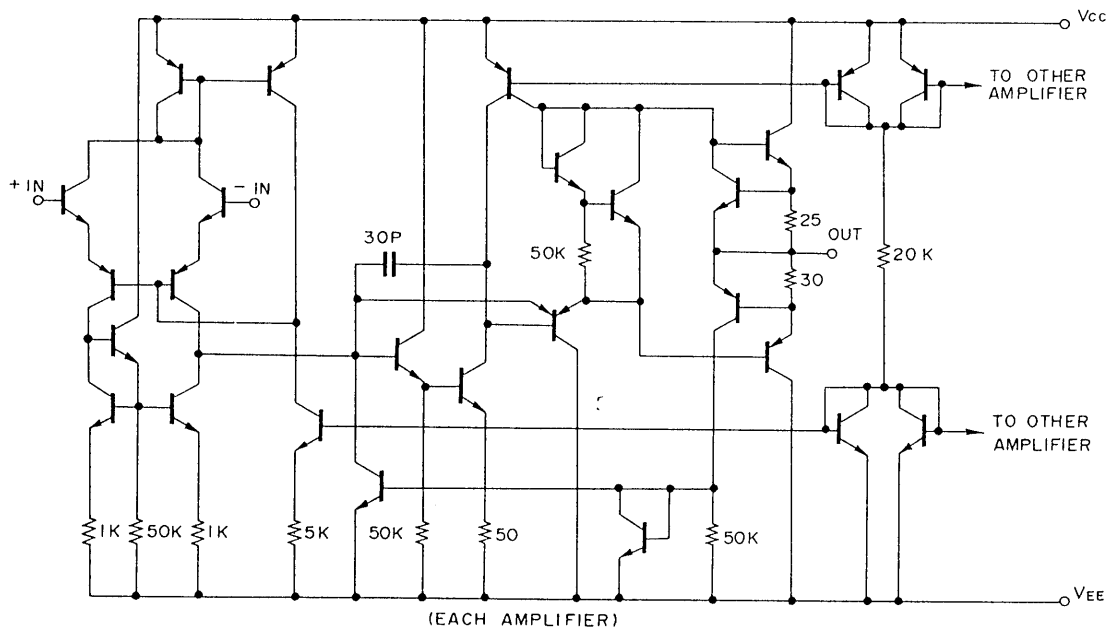
For Service Manuals  
**MAURITRON SERVICES**  
 8 Cherry Tree Road, Chinnor  
 Oxfordshire, OX9 4QY.  
 Tel (01844) 351694  
 Fax (01844) 352554  
 email:- sales@mauritron.co.uk

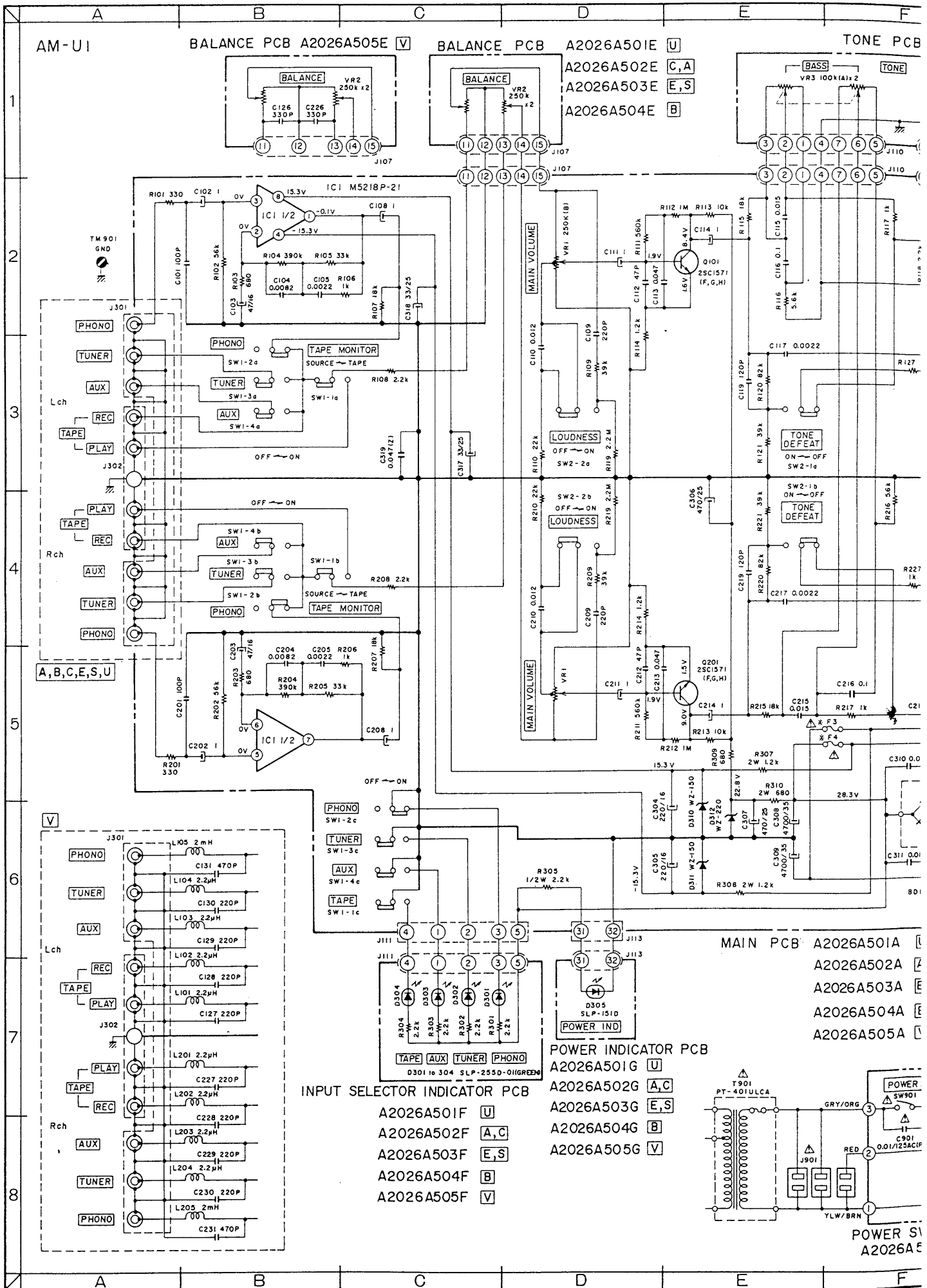
STK-465AST





TA75458S





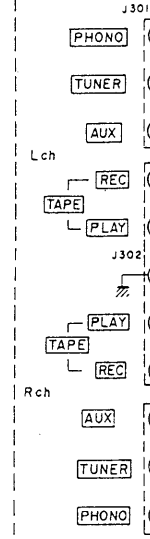
AM-U1

BALANCE PCB A2026A505E [V]

BALANCE PCB A2026A501E [U]

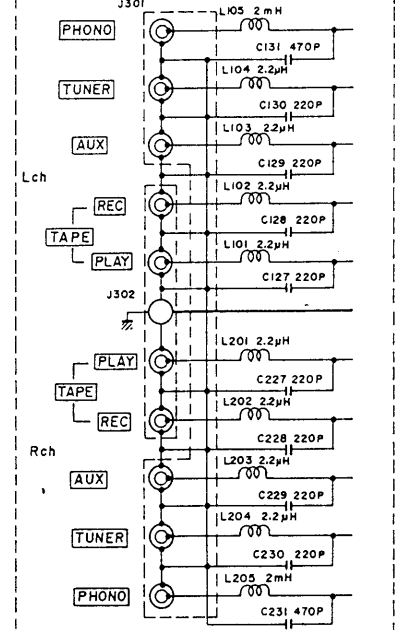
TONE PCB

A2026A502E [C,A]  
 A2026A503E [E,S]  
 A2026A504E [B]



A, B, C, E, S, U

[V]



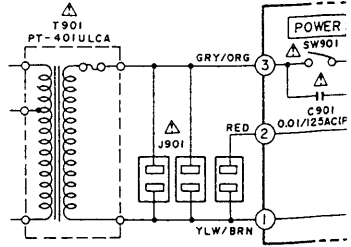
INPUT SELECTOR INDICATOR PCB

- A2026A501F [U]
- A2026A502F [A,C]
- A2026A503F [E,S]
- A2026A504F [B]
- A2026A505F [V]

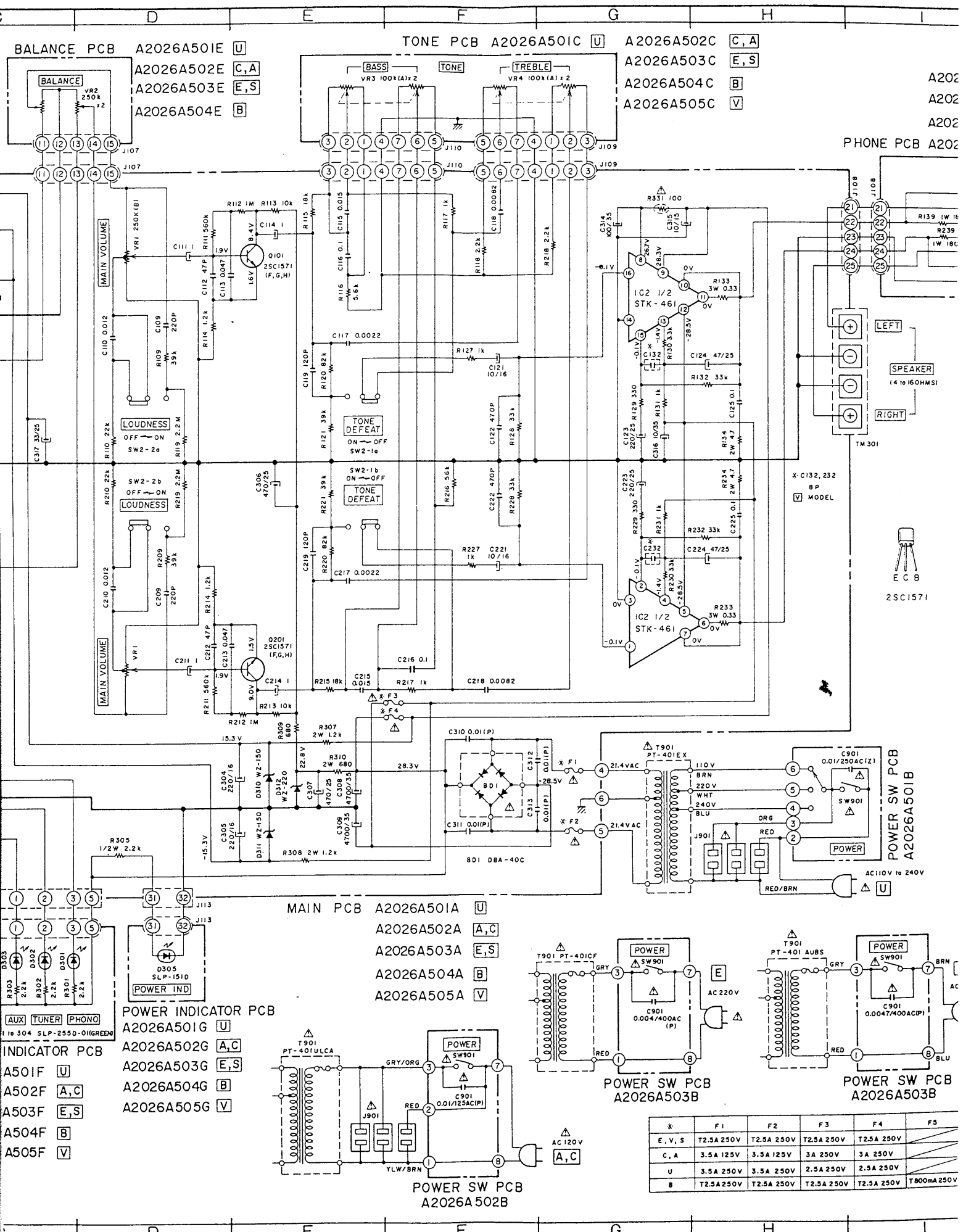
POWER INDICATOR PCB

- A2026A501G [U]
- A2026A502G [A,C]
- A2026A503G [E,S]
- A2026A504G [B]
- A2026A505G [V]

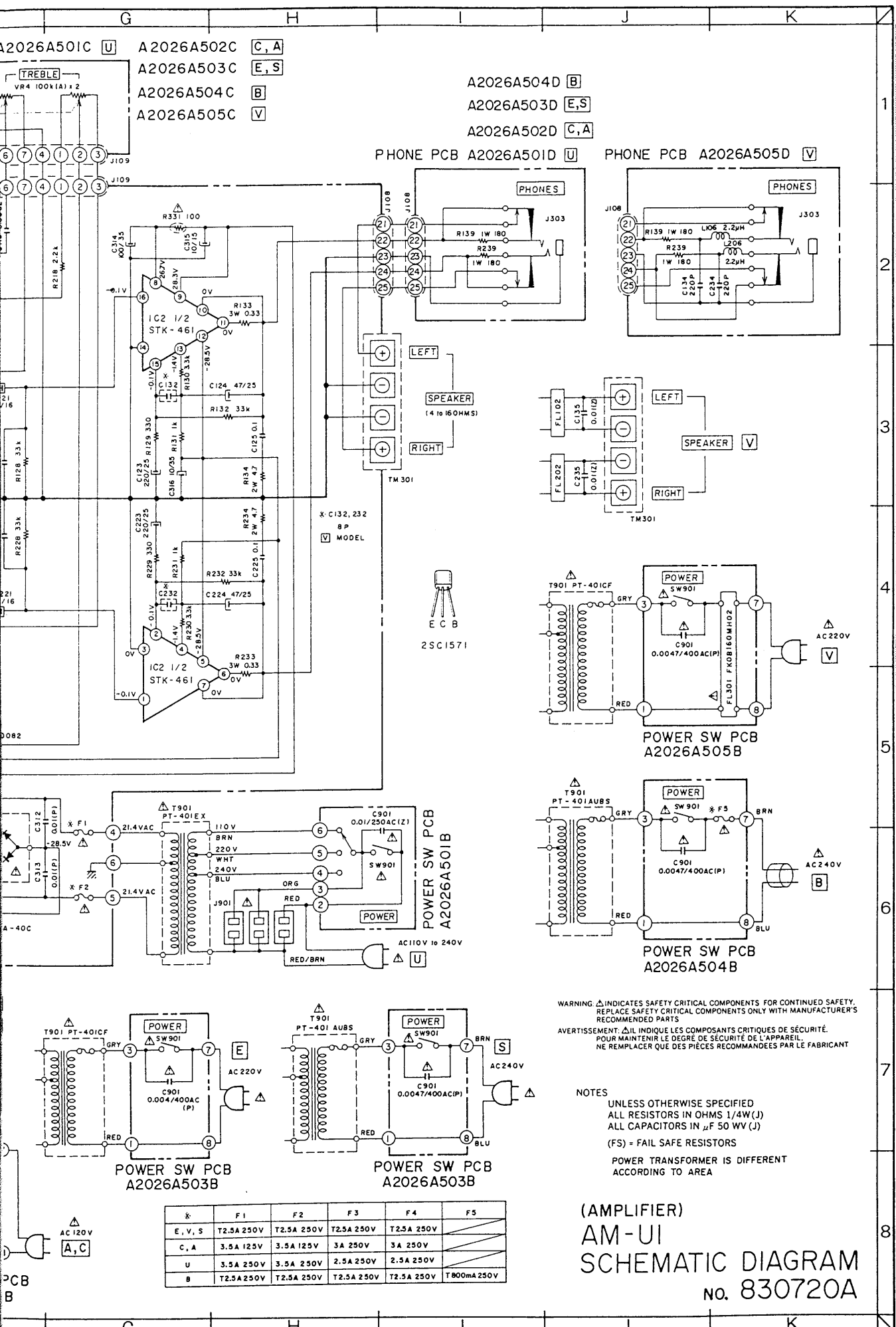
MAIN PCB A2026A501A [L]  
 A2026A502A [Z]  
 A2026A503A [E]  
 A2026A504A [E]  
 A2026A505A [L]



POWER SW A2026A501E



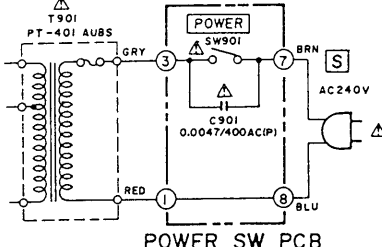
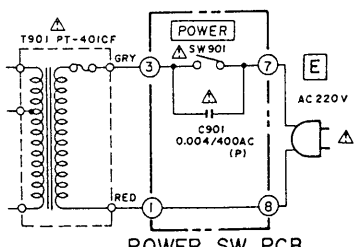
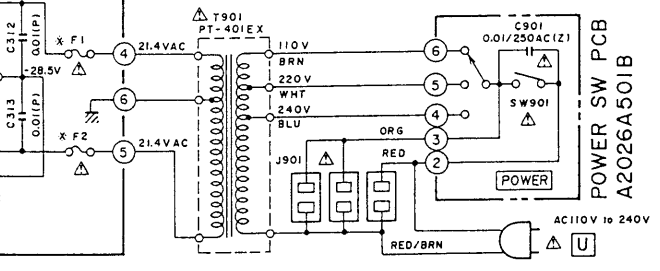
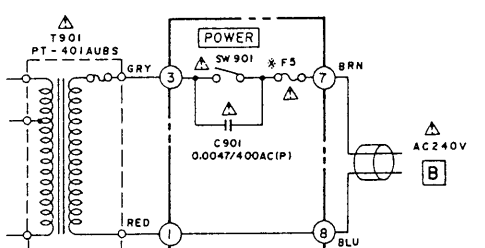
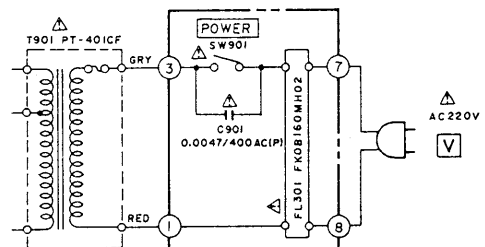
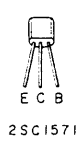
|         | F1         | F2         | F3         | F4         | F5          |
|---------|------------|------------|------------|------------|-------------|
| E, V, S | T2.5A 250V | T2.5A 250V | T2.5A 250V | T2.5A 250V |             |
| C, A    | 3.5A 125V  | 3.5A 125V  | 3A 250V    | 3A 250V    |             |
| U       | 3.5A 250V  | 3.5A 250V  | 2.5A 250V  | 2.5A 250V  |             |
| B       | T2.5A 250V | T2.5A 250V | T2.5A 250V | T2.5A 250V | T800mA 250V |



- A2026A501C [U]
- A2026A502C [C, A]
- A2026A503C [E, S]
- A2026A504C [B]
- A2026A505C [V]

- A2026A504D [B]
- A2026A503D [E, S]
- A2026A502D [C, A]

- PHONE PCB A2026A501D [U]
- PHONE PCB A2026A505D [V]



WARNING:  $\Delta$  INDICATES SAFETY CRITICAL COMPONENTS FOR CONTINUED SAFETY. REPLACE SAFETY CRITICAL COMPONENTS ONLY WITH MANUFACTURER'S RECOMMENDED PARTS.  
 AVERTISSEMENT:  $\Delta$  IL INDIQUE LES COMPOSANTS CRITIQUES DE SÉCURITÉ. POUR MAINTENIR LE DEGRÉ DE SÉCURITÉ DE L'APPAREIL, NE REMPLACER QUE DES PIÈCES RECOMMANDÉES PAR LE FABRICANT.

NOTES  
 UNLESS OTHERWISE SPECIFIED  
 ALL RESISTORS IN OHMS 1/4W(J)  
 ALL CAPACITORS IN  $\mu$ F 50 WV (J)  
 (FS) = FAIL SAFE RESISTORS  
 POWER TRANSFORMER IS DIFFERENT ACCORDING TO AREA

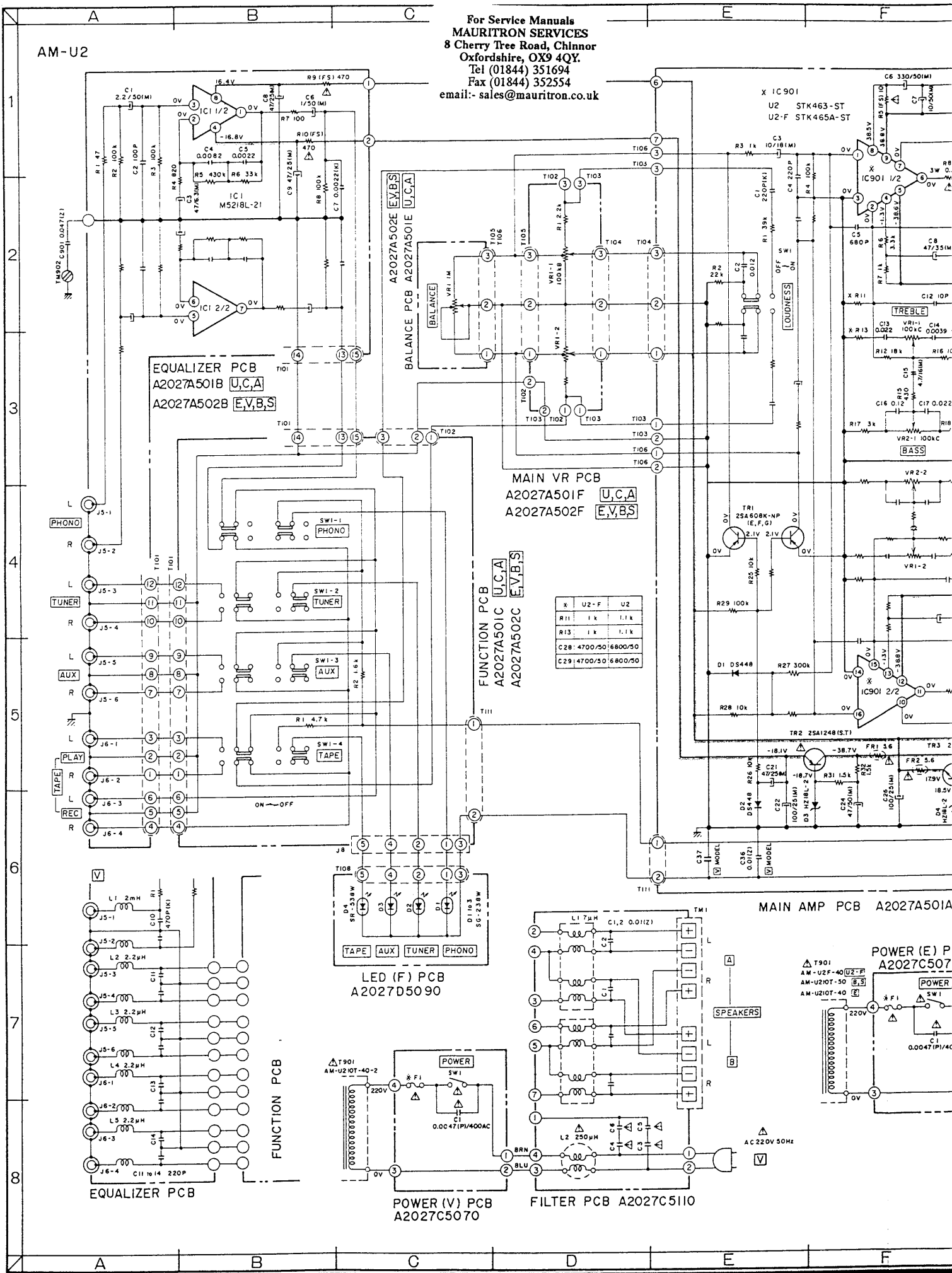
| X       | F1         | F2         | F3         | F4         | F5          |
|---------|------------|------------|------------|------------|-------------|
| E, V, S | T2.5A 250V | T2.5A 250V | T2.5A 250V | T2.5A 250V |             |
| C, A    | 3.5A 125V  | 3.5A 125V  | 3A 250V    | 3A 250V    |             |
| U       | 3.5A 250V  | 3.5A 250V  | 2.5A 250V  | 2.5A 250V  |             |
| B       | T2.5A 250V | T2.5A 250V | T2.5A 250V | T2.5A 250V | T800mA 250V |

(AMPLIFIER)  
 AM-UI  
 SCHEMATIC DIAGRAM  
 No. 830720A

1  
2  
3  
4  
5  
6  
7  
8

For Service Manuals  
**MAURITRON SERVICES**  
 8 Cherry Tree Road, Chinnor  
 Oxfordshire, OX9 4QY.  
 Tel (01844) 351694  
 Fax (01844) 352554  
 email:- sales@mauritron.co.uk

AM-U2



EQUALIZER PCB  
 A2027A501B U,C,A  
 A2027A502B E,V,B,S

BALANCE PCB  
 A2027A502E E,V,B,S  
 A2027A501E U,C,A

MAIN VR PCB  
 A2027A501F U,C,A  
 A2027A502F E,V,B,S

FUNCTION PCB  
 A2027A501C U,C,A  
 A2027A502C E,V,B,S

|     |         |         |
|-----|---------|---------|
| X   | U2-F    | U2      |
| R11 | 1k      | 1.1k    |
| R13 | 1k      | 1.1k    |
| C28 | 4700/50 | 6800/50 |
| C29 | 4700/50 | 6800/50 |

MAIN AMP PCB A2027A501A

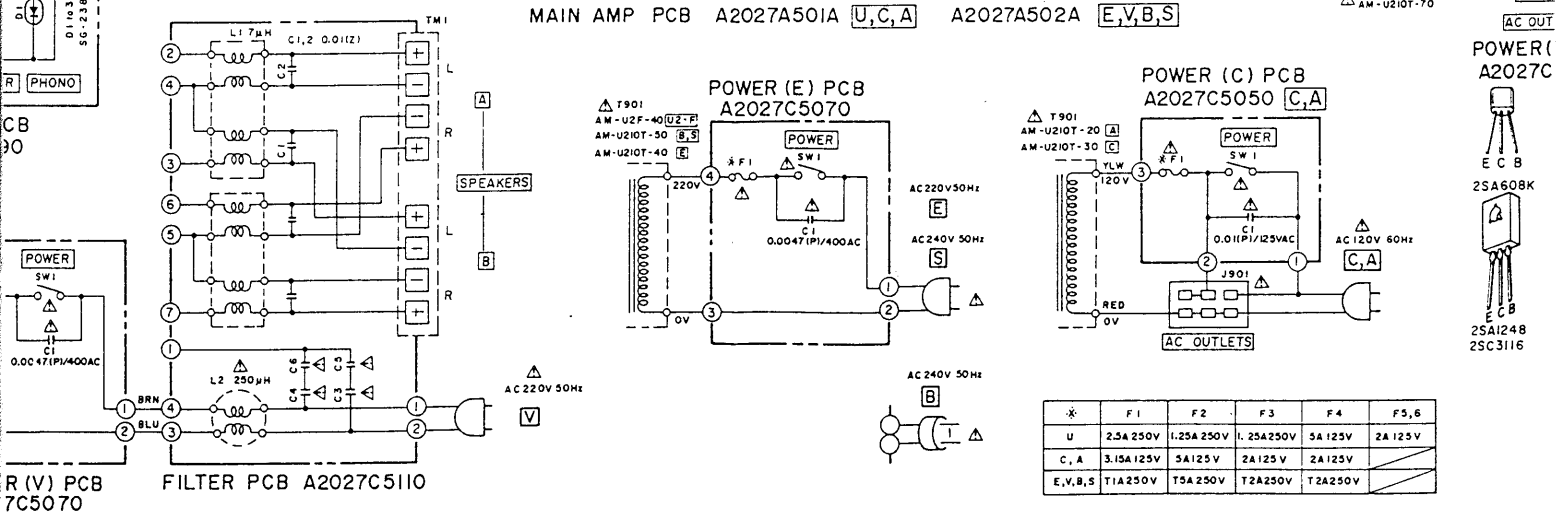
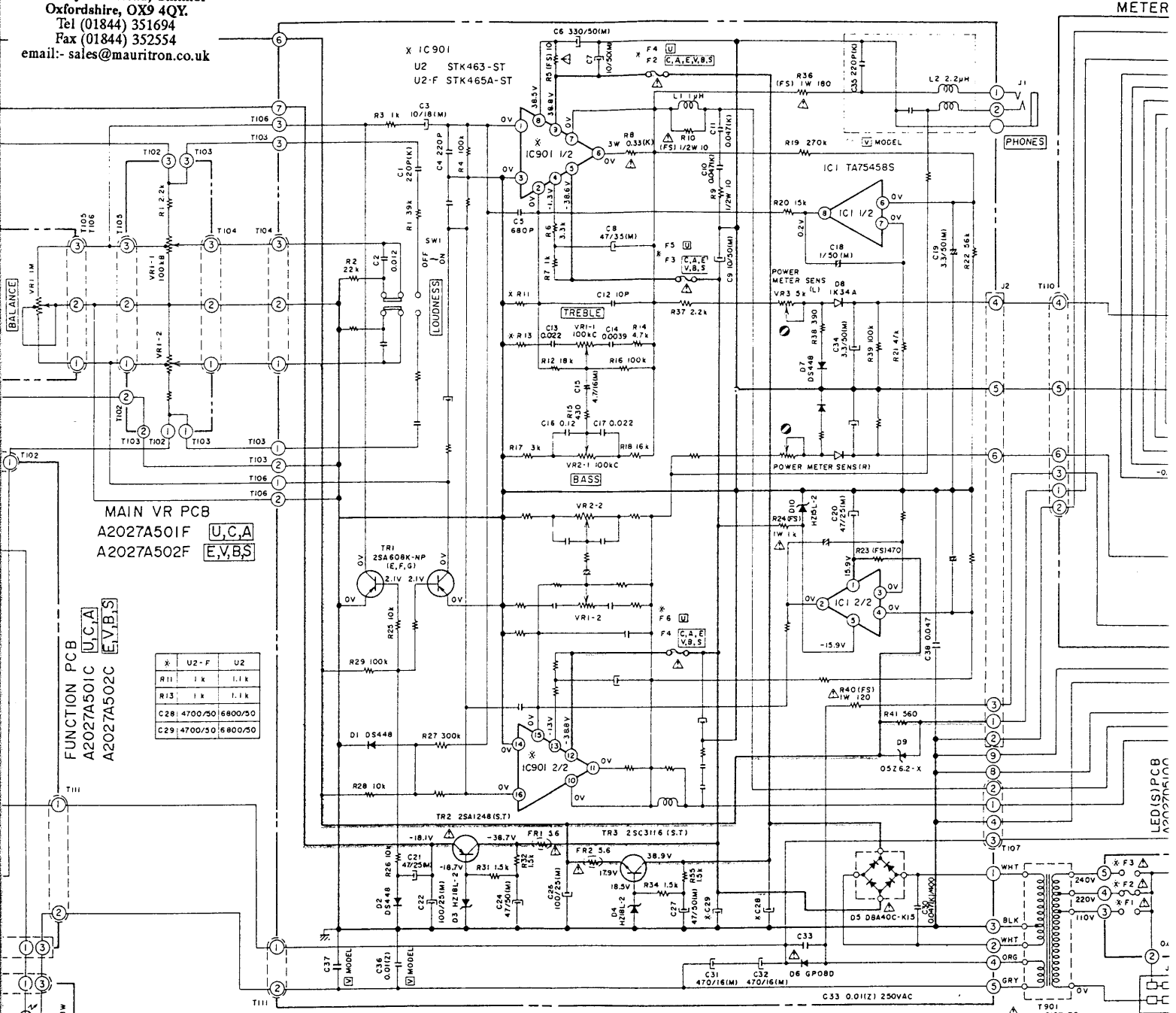
LED (F) PCB  
 A2027D5090

POWER (V) PCB  
 A2027C5070

FILTER PCB A2027C5110

POWER (E) P  
 A2027C507

For Service Manuals  
**MAURITRON SERVICES**  
 8 Cherry Tree Road, Chinnor  
 Oxfordshire, OX9 4QY.  
 Tel (01844) 351694  
 Fax (01844) 352554  
 email: sales@mauritron.co.uk



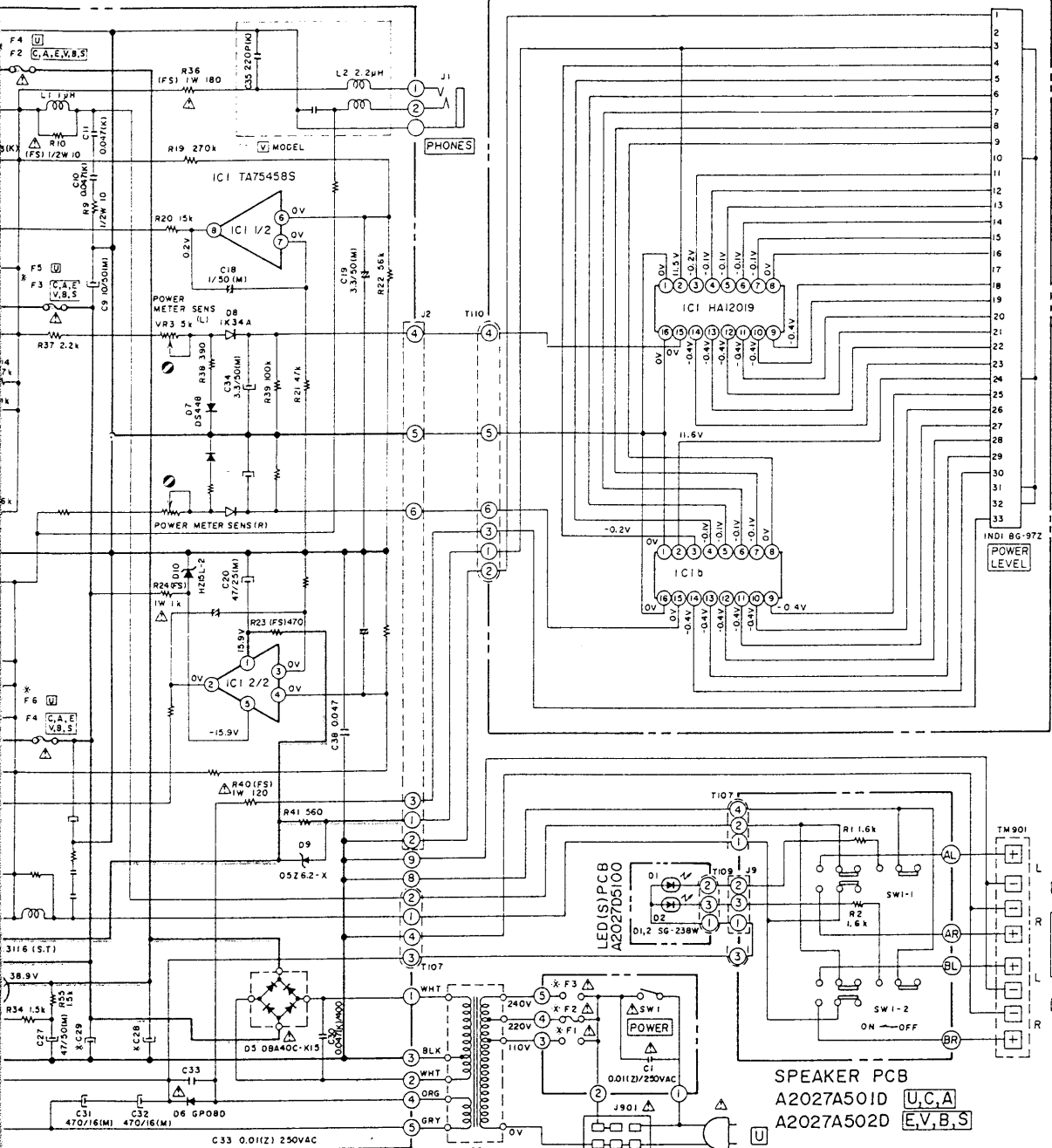
METER

LED(S) PCB  
 A2027K5100

AC OUT  
 POWER (A2027C)



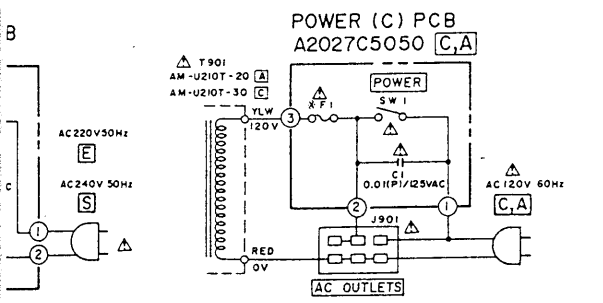
METER PCB A2013C5030



U,C,A A2027A502A E,V,B,S

SPEAKER PCB  
A2027A501D U,C,A  
A2027A502D E,V,B,S

POWER(U) PCB  
A2027C5040



|            | F1         | F2         | F3         | F4       | F5,6    |
|------------|------------|------------|------------|----------|---------|
| U          | 2.5A 250V  | 1.25A 250V | 1.25A 250V | 5A 125V  | 2A 125V |
| C, A       | 3.15A 125V | 5A 125V    | 2A 125V    | 2A 125V  |         |
| E, V, B, S | T1A 250V   | T5A 250V   | T2A 250V   | T2A 250V |         |

WARNING:  $\Delta$  INDICATES SAFETY CRITICAL COMPONENTS FOR CONTINUED SAFETY. REPLACE SAFETY CRITICAL COMPONENTS ONLY WITH MANUFACTURER'S RECOMMENDED PARTS.  
AVERTISSEMENT:  $\Delta$  IL INDIQUE LES COMPOSANTS CRITIQUES DE SÉCURITÉ. POUR MAINTENIR LE DEGRÉ DE SÉCURITÉ DE L'APPAREIL, NE REMPLACER QUE DES PIÈCES RECOMMANDÉES PAR LE FABRICANT

NOTES  
UNLESS OTHERWISE SPECIFIED  
ALL RESISTORS IN OHMS 1/4W (J)  
ALL CAPACITORS IN  $\mu$ F 50 WV (J)  
(FS) = FAIL SAFE RESISTORS  
VOLTAGE: NO SIGNAL INPUT VOLUME MIN

(AMPLIFIER)  
AM-U2/F  
SCHEMATIC DIAGRAM  
No. 830721A