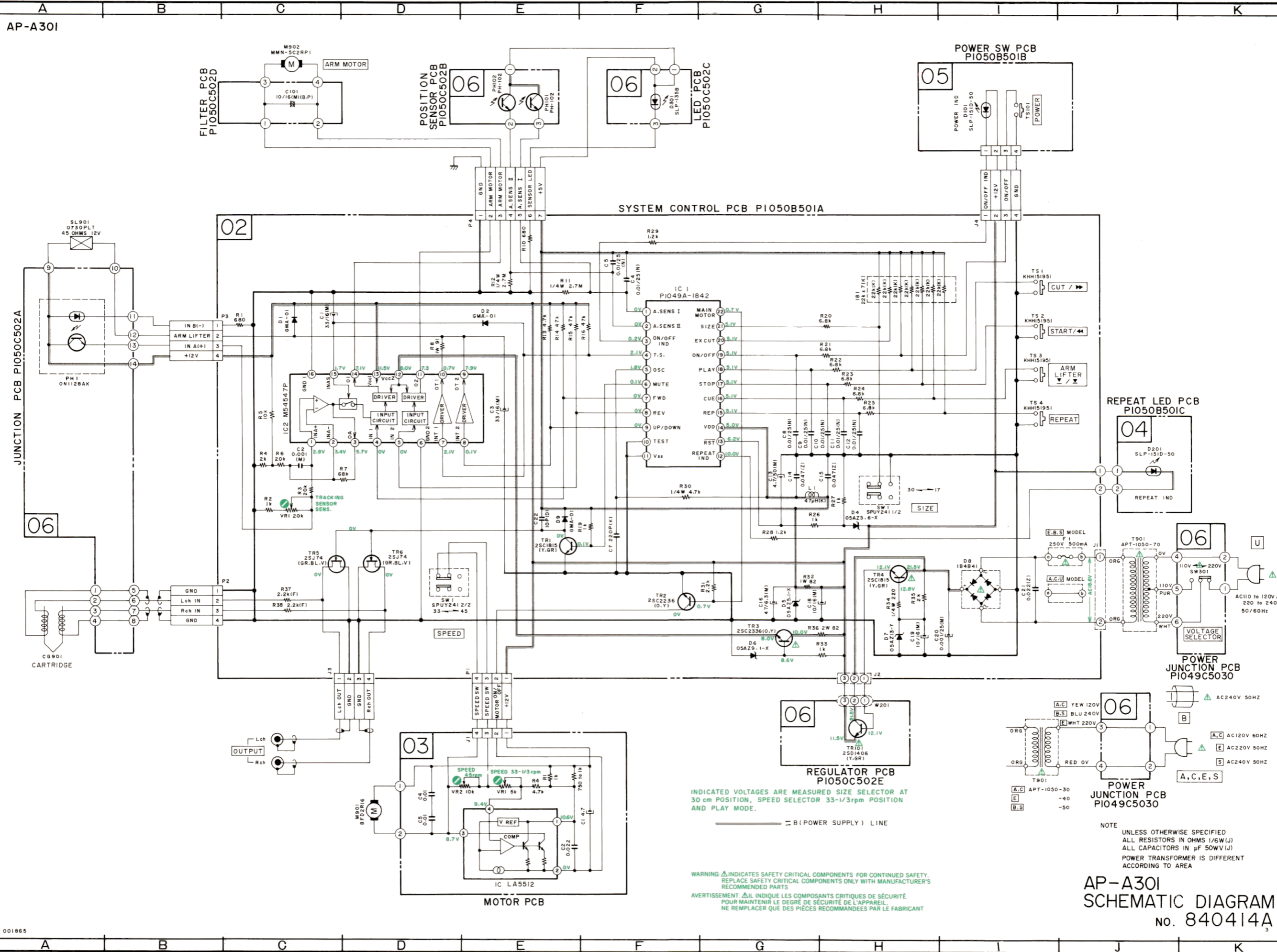


AKAI

MODEL **AP-A301/C**

SCHEMATIC DIAGRAM AND PC BOARDS

1. SCHEMATIC DIAGRAM.....	2
2. FILTER PCB, JUNCTION PCB, LED PCB, POSITION PCB, POWER PCB, REGULATOR PCB, REPEAT LED PCB, SYSTEM CONTROL PCB	3
3. BLOCK DIAGRAM	4

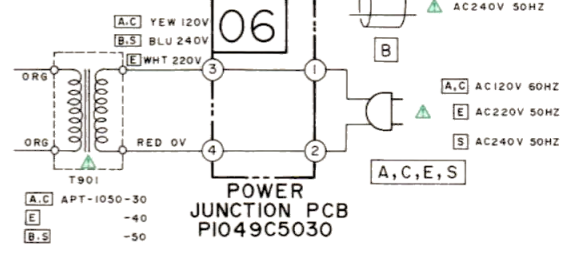


INDICATED VOLTAGES ARE MEASURED SIZE SELECTOR AT 30 cm POSITION, SPEED SELECTOR 33-1/3rpm POSITION AND PLAY MODE.

— B (POWER SUPPLY) LINE

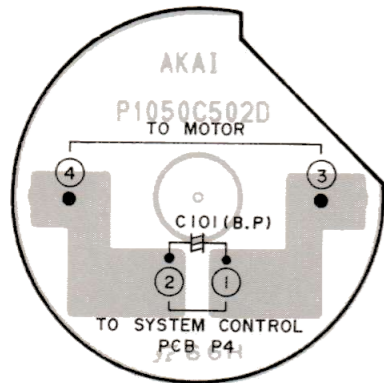
WARNING: ⚠ INDICATES SAFETY CRITICAL COMPONENTS FOR CONTINUED SAFETY. REPLACE SAFETY CRITICAL COMPONENTS ONLY WITH MANUFACTURER'S RECOMMENDED PARTS.

AVERTISSEMENT: ⚠ IL INDIQUE LES COMPOSANTS CRITIQUES DE SÉCURITÉ. POUR MAINTENIR LE DEGRÉ DE SÉCURITÉ DE L'APPAREIL, NE REMPLACER QUE DES PIÈCES RECOMMANDÉES PAR LE FABRICANT.

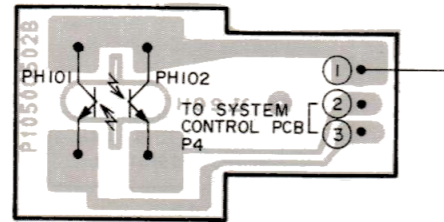


NOTE
UNLESS OTHERWISE SPECIFIED
ALL RESISTORS IN OHMS 1/6W (J)
ALL CAPACITORS IN μF 50WV (J)
POWER TRANSFORMER IS DIFFERENT
ACCORDING TO AREA

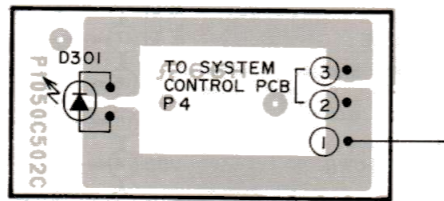
AP-A301
SCHEMATIC DIAGRAM
No. 840414A



FILTER PCB
PI050C502D

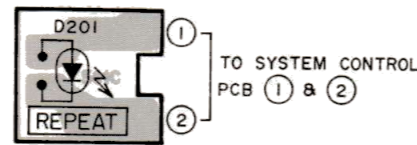
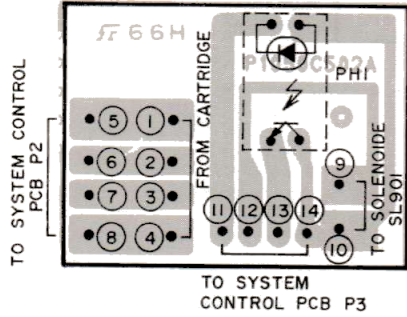


POSITION SENSOR PCB
PI050C502B

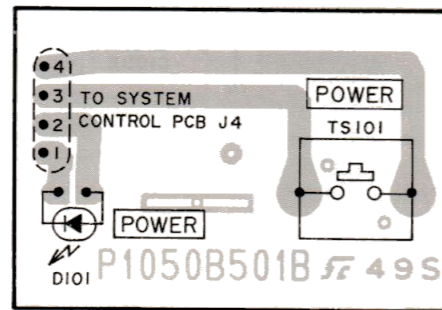


LED PCB PI050C502C

JUNCTION PCB
PI050C502A

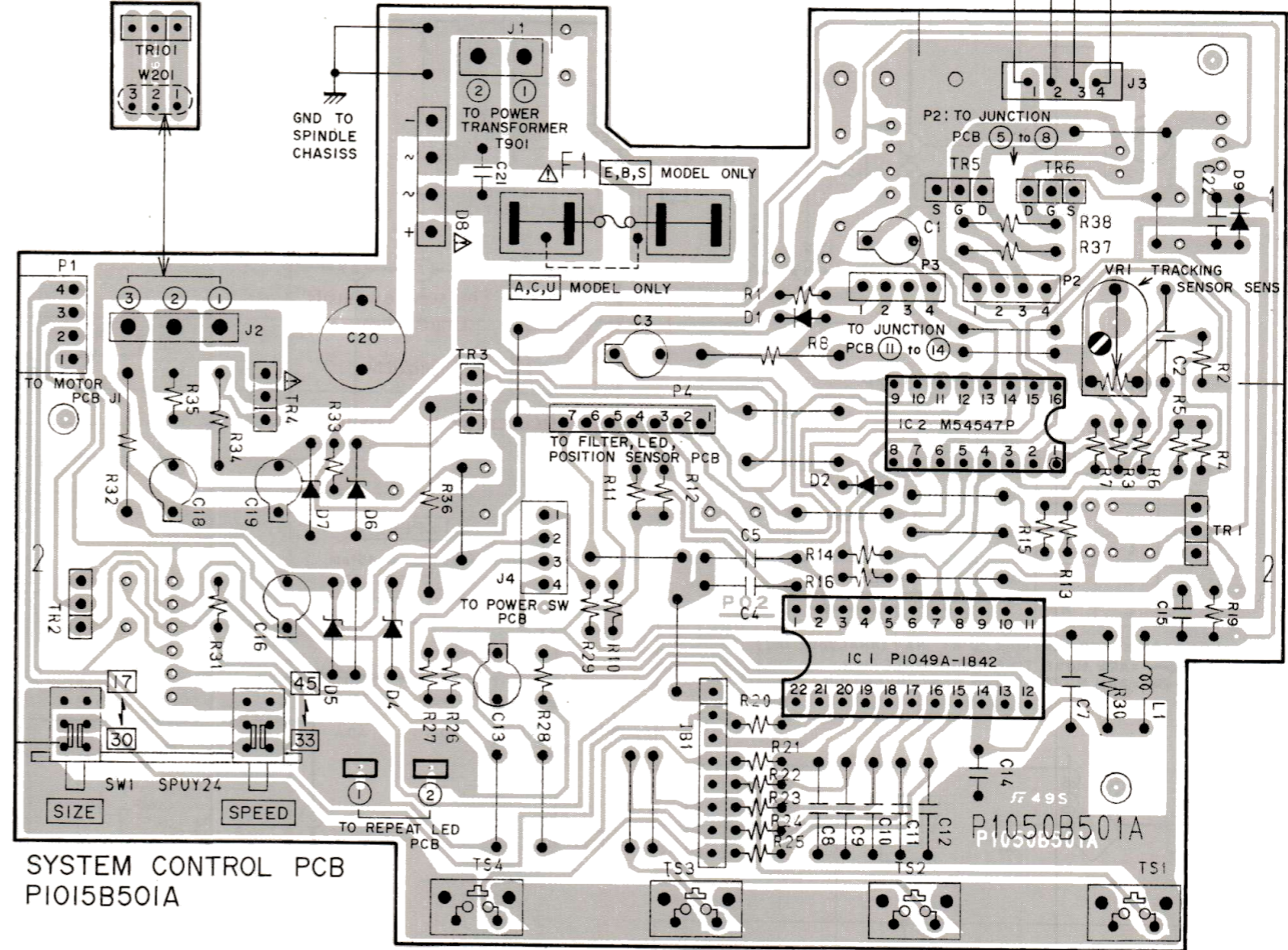
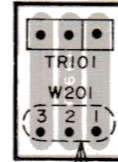


REPEAT LED PCB
PI050B501C

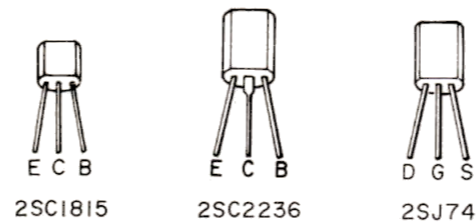


POWER SW PCB
PI050B501B

REGULATOR PCB
PI050C502E



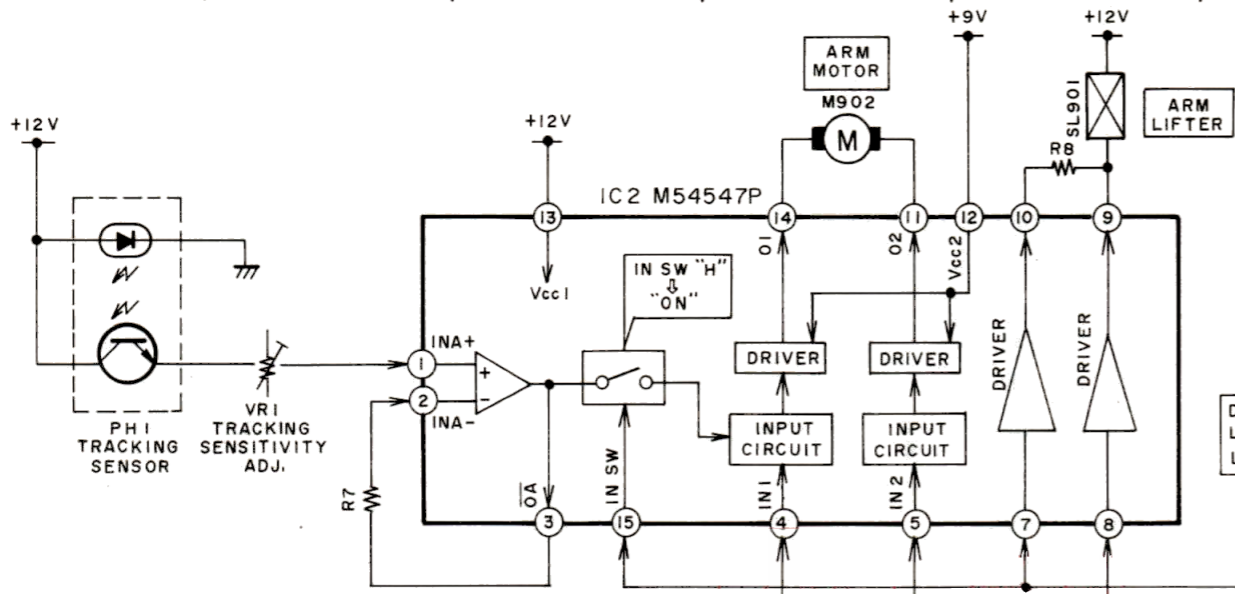
SYSTEM CONTROL PCB
PI050B501A



B
●●● = NPN TRANSISTOR

TR1,4 ---- 2SC1815 (Y,GR)
TR2,3 ---- 2SC2236 (O,Y)
TR5,6 ---- 2SJ74 (GR,BL,V)

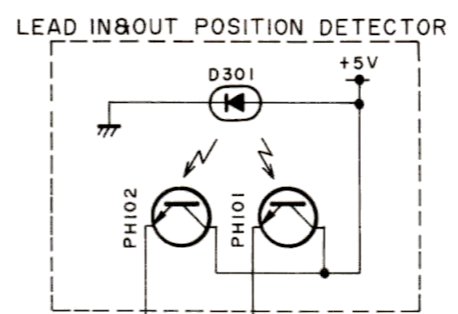
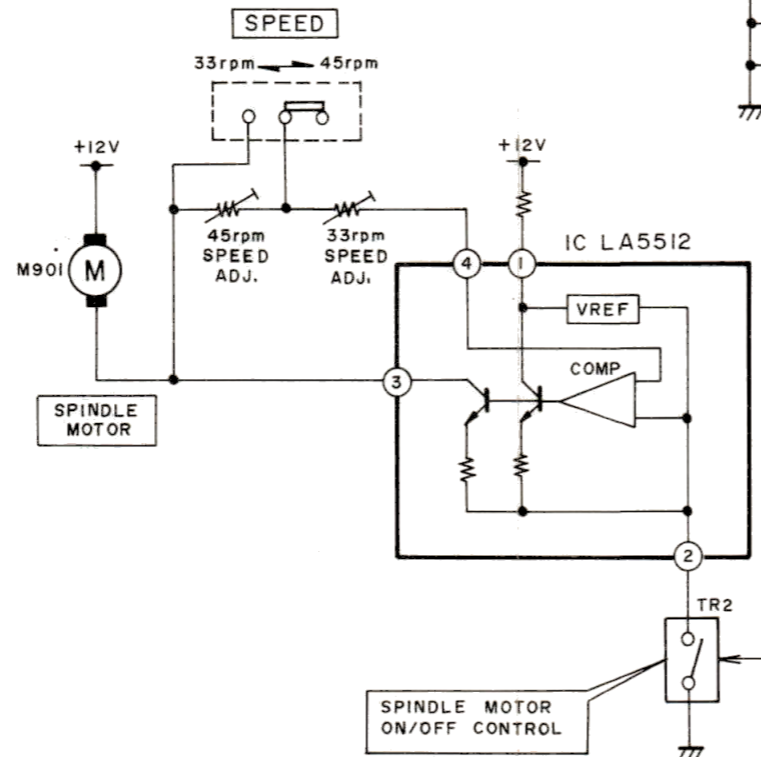
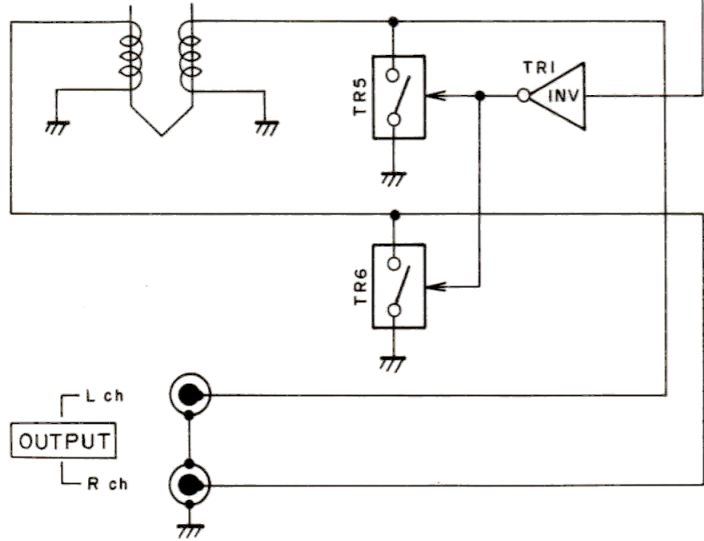
WARNING: ⚠ INDICATES SAFETY CRITICAL COMPONENTS FOR CONTINUED SAFETY, REPLACE SAFETY CRITICAL COMPONENTS ONLY WITH MANUFACTURER'S RECOMMENDED PARTS
AVERTISSEMENT: ⚠ IL INDIQUE LES COMPOSANTS CRITIQUES DE SÉCURITÉ. POUR MAINTENIR LE DEGRÉ DE SÉCURITÉ DE L'APPAREIL, NE REMPLACER QUE DES PIÈCES RECOMMANDÉES PAR LE FABRICANT



TRUTH TABLE OF IC M54547P

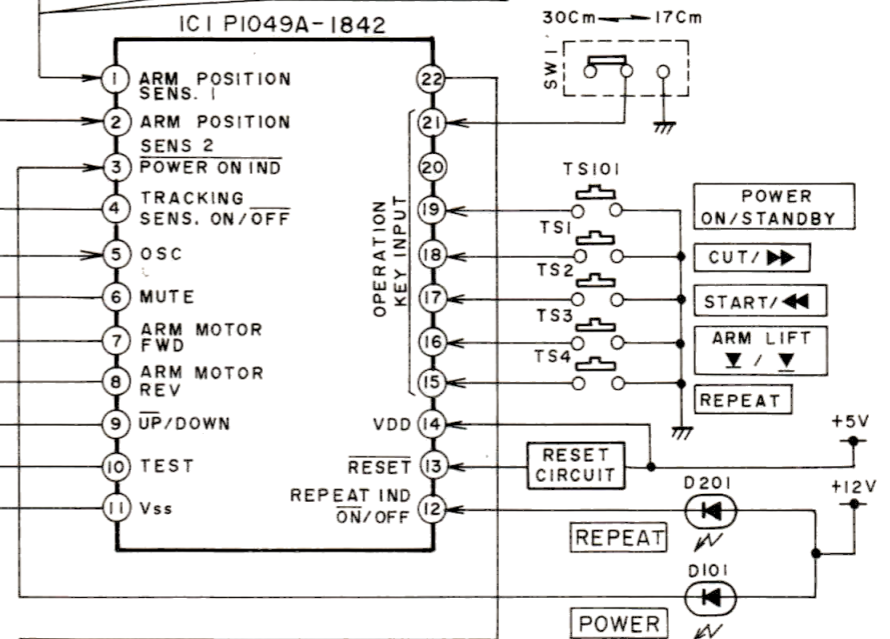
INPUT			OUTPUT		MODE
⑮ IN SW	④ IN 1	⑤ IN 2	⑭ O1	⑪ O2	
H	L	H	H	L	←
H	H	L	L	H	→
H	L	L	H	H	BRAKE
L	L	L	H	L	*INA ←
L	L	H	L	H	*INA →

*MOTOR SPEED CONTROLLED BY INA+ (ANALOGUE IN)
 ← = ARM MOVE TO SPINDLE DIRECTION
 → = ARM MOVE TO ARM REST DIRECTION

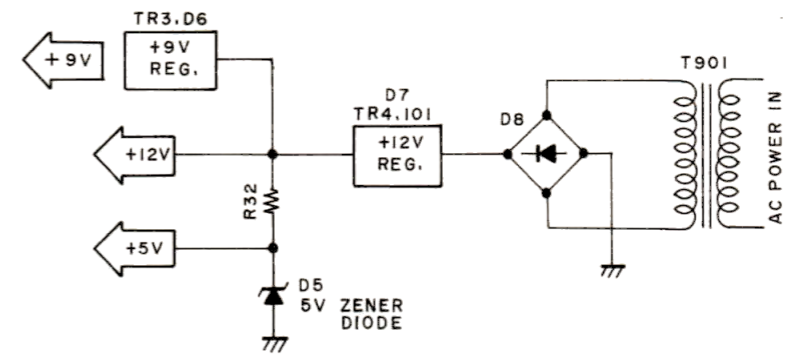


DETECTION OF 30cm LEAD OUT & EACH LEAD IN POSITION

DETECTION OF 17cm LEAD OUT & ARM RESET POSITION



SPINDLE MOTOR ON/OFF CONTROL
 'H' ⇒ MOTOR ROTATE
 'L' ⇒ MOTOR STOP



AP-A301
 BLOCK DIAGRAM
 No. 860413A^(A2)