

# **AKAI**

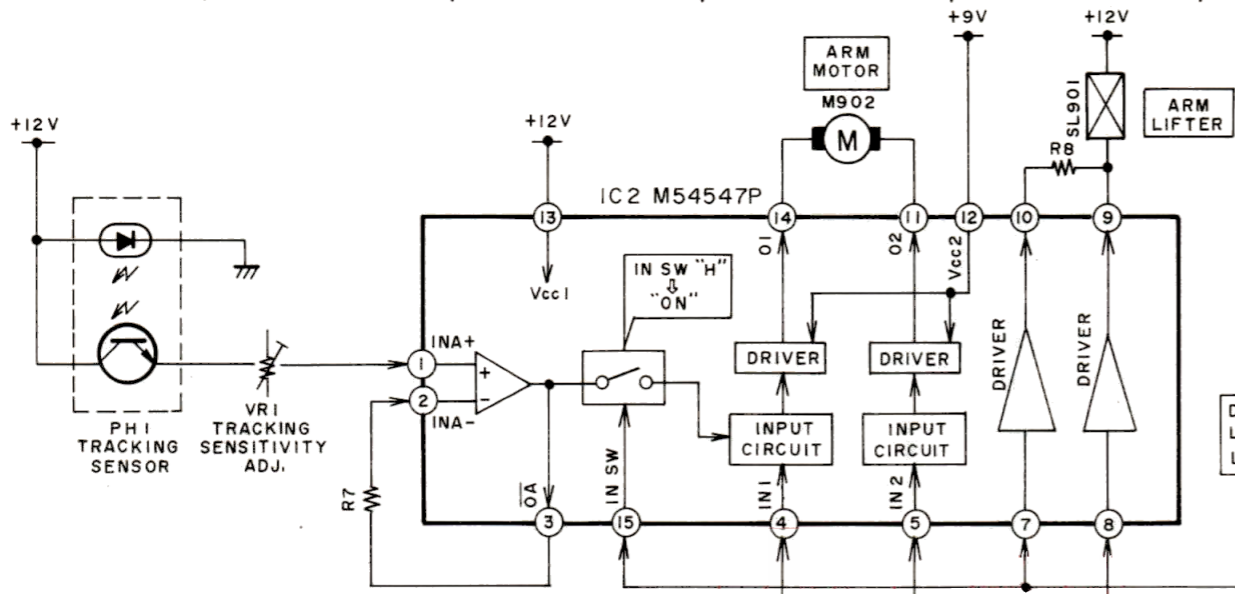
**MODEL AP-A301/C**

## **SCHEMATIC DIAGRAM AND PC BOARDS**

1. SCHEMATIC DIAGRAM.....	2
2. FILTER PCB, JUNCTION PCB, LED PCB, POSITION PCB, POWER PCB, REGULATOR PCB, REPEAT LED PCB, SYSTEM CONTROL PCB .....	3
3. BLOCK DIAGRAM .....	4



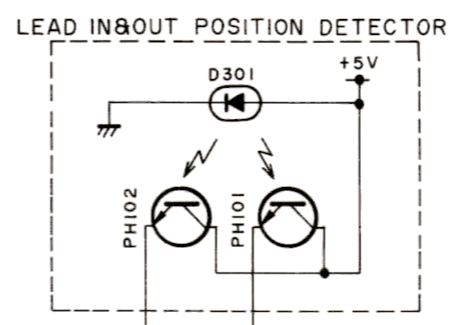
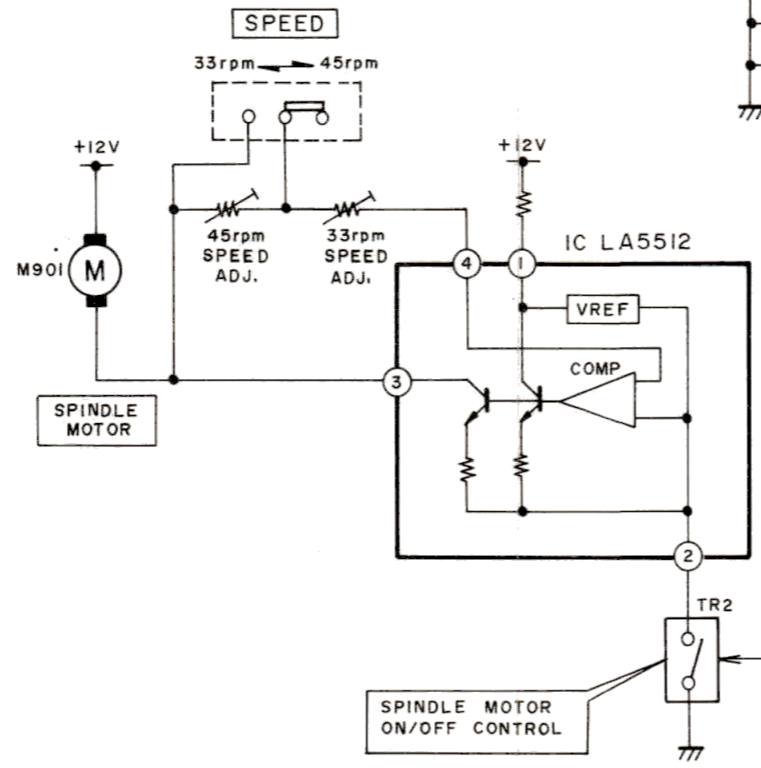
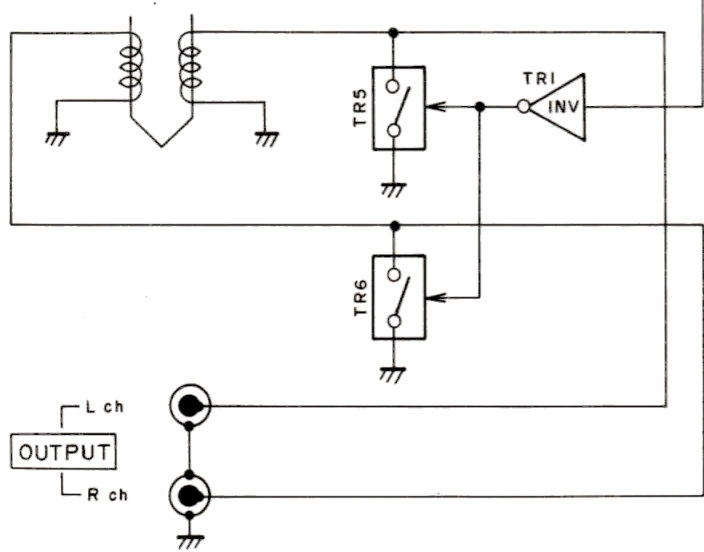




TRUTH TABLE OF IC M54547P

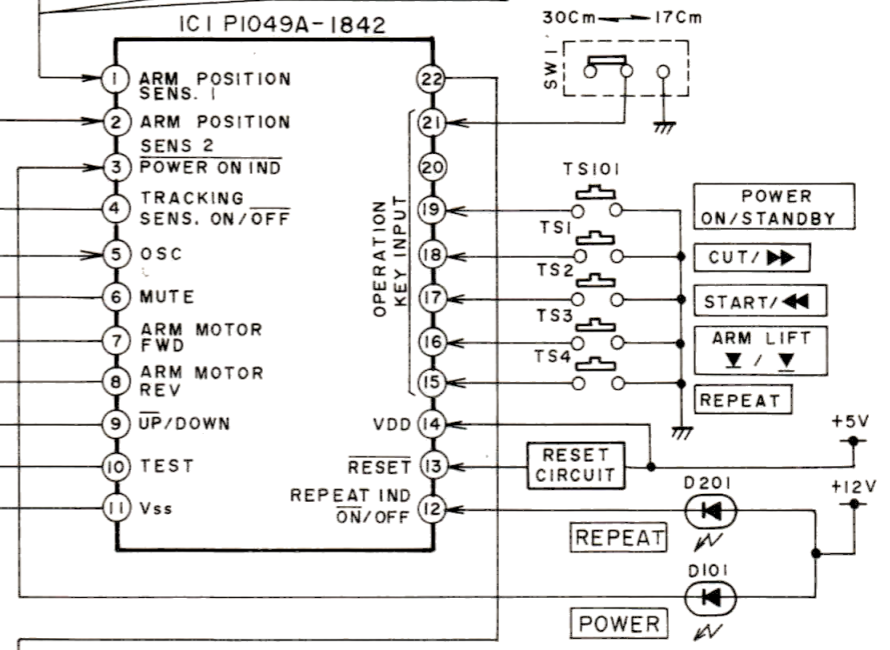
INPUT			OUTPUT		MODE
15 IN SW	4 IN 1	5 IN 2	14 O1	11 O2	
H	L	H	H	L	←
H	H	L	L	H	→
H	L	L	H	H	BRAKE
L	L	L	H	L	*INA ←
L	L	H	L	H	*INA →

\*MOTOR SPEED CONTROLLED BY INA+ (ANALOGUE IN)  
 ← = ARM MOVE TO SPINDLE DIRECTION  
 → = ARM MOVE TO ARM REST DIRECTION

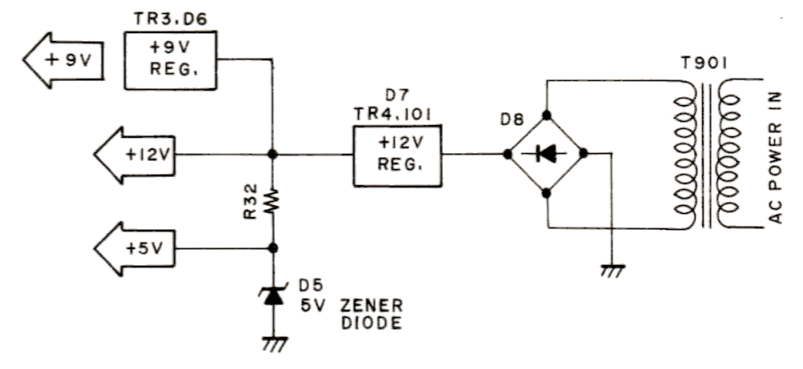


DETECTION OF 30cm LEAD OUT & EACH LEAD IN POSITION

DETECTION OF 17cm LEAD OUT & ARM RESET POSITION



SPINDLE MOTOR ON/OFF CONTROL  
 'H' ⇒ MOTOR ROTATE  
 'L' ⇒ MOTOR STOP



AP-A301  
 BLOCK DIAGRAM  
 No. 860413A<sup>(A2)</sup>