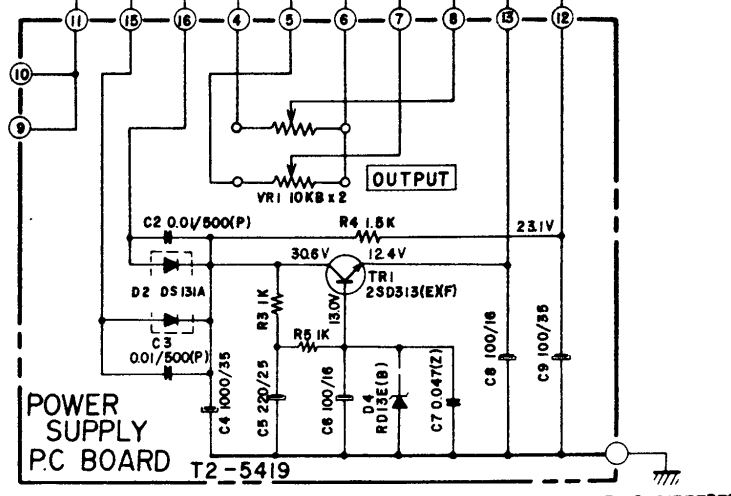


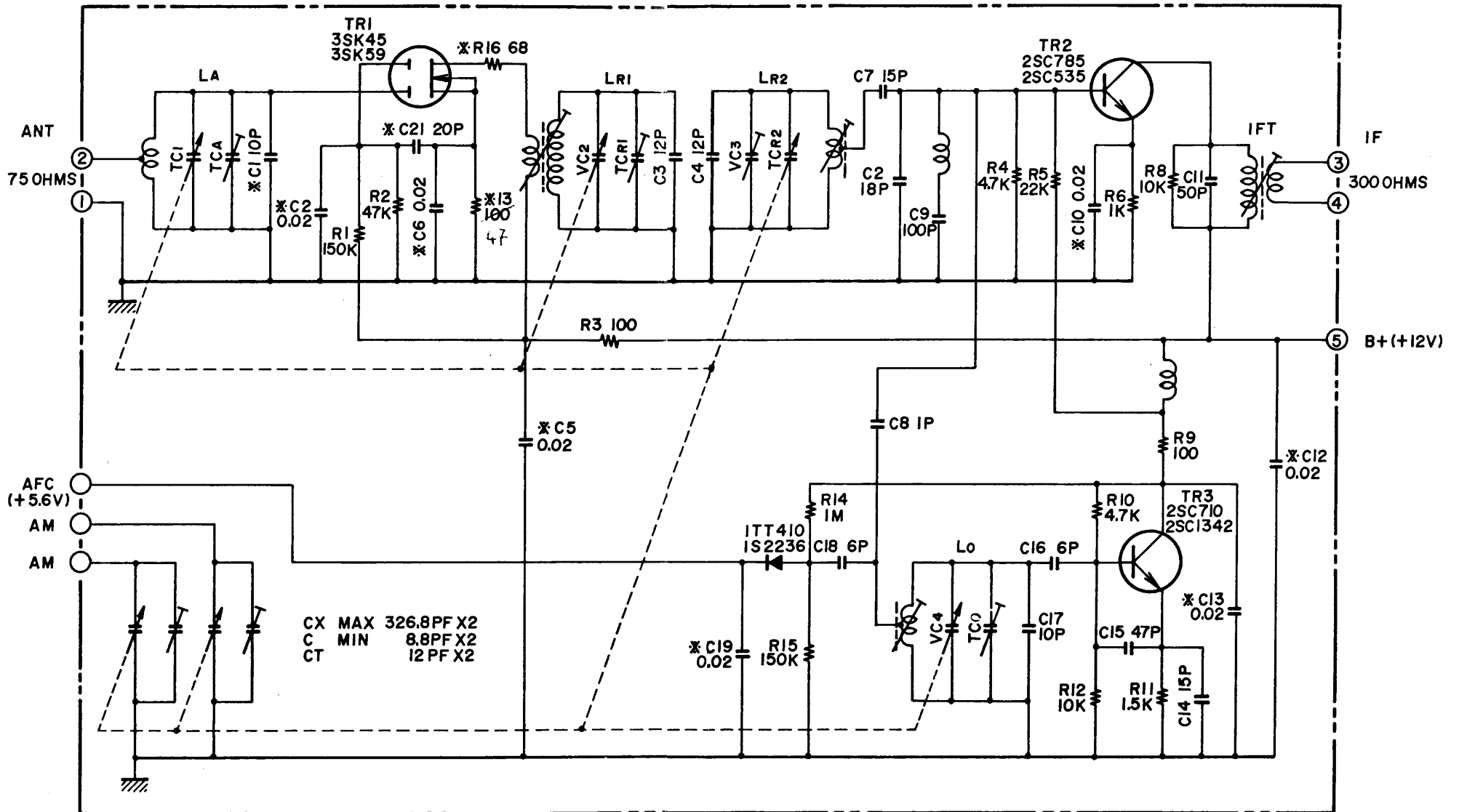
USE
F901 0.5A 100V ARER
F902 0.25A 200V ARER
(F903)



NOTE 1. UNLESS OTHERWISE SPECIFIED
ALL RESISTORS IN OHMS 1/4 W(J)
ALL CAPACITORS IN μ F 50 WV(J)
P = μ MUF

2. POWER TRANSFORMER IS DIFFERENT
ACCORDING TO AREA

AT-2400



AT-2400
 FRONT END FB622U11
 NO. 2-2 1540447A