

**MODEL AT-2600**

**ATAAT**

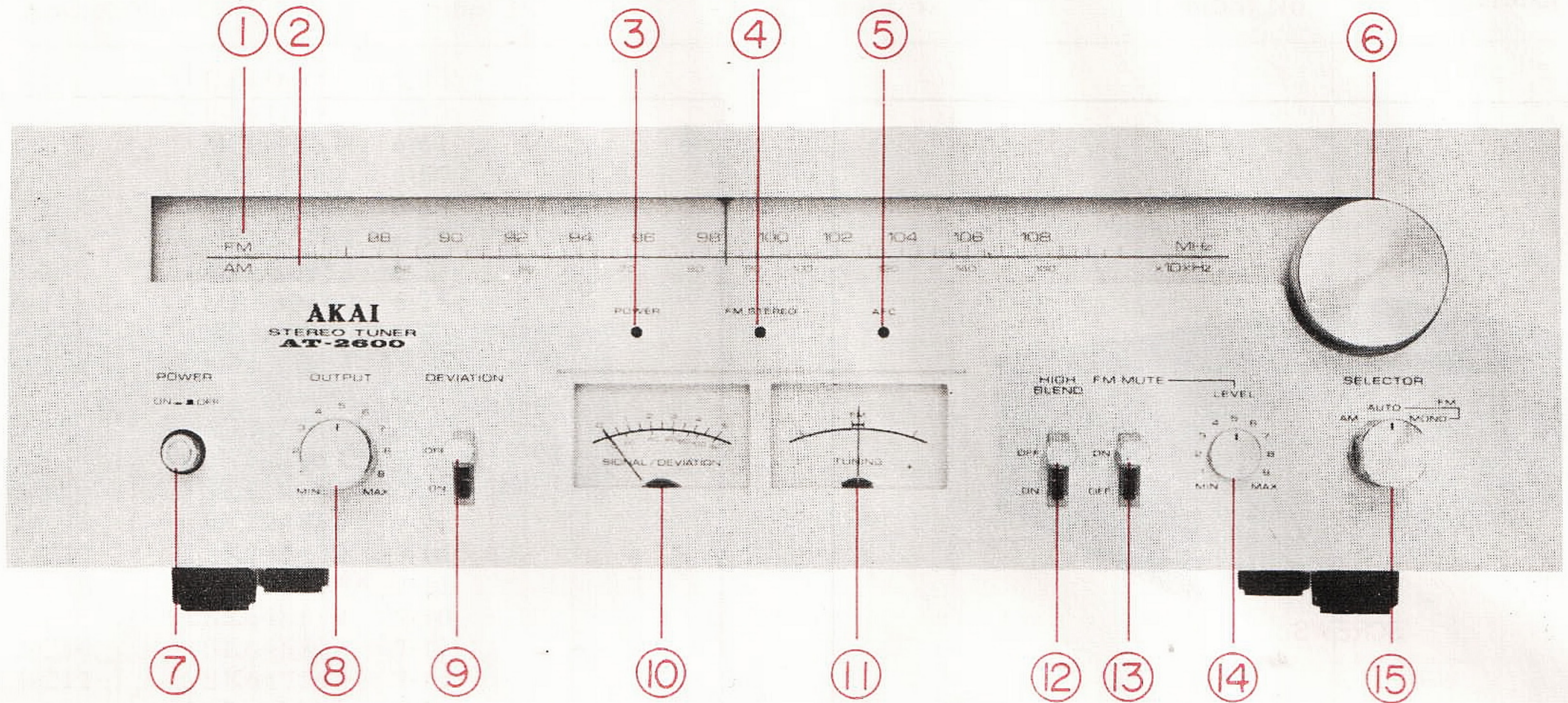
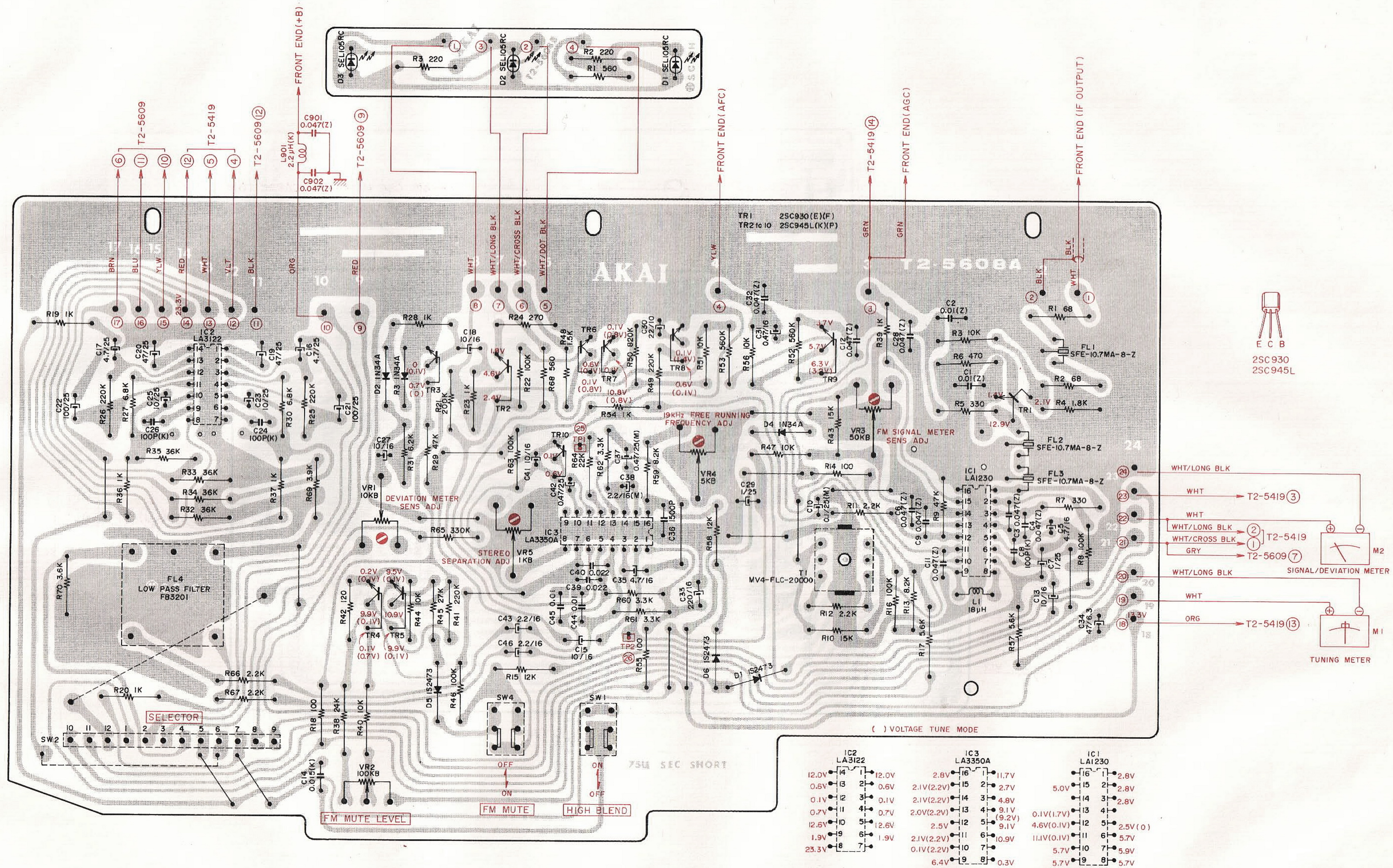


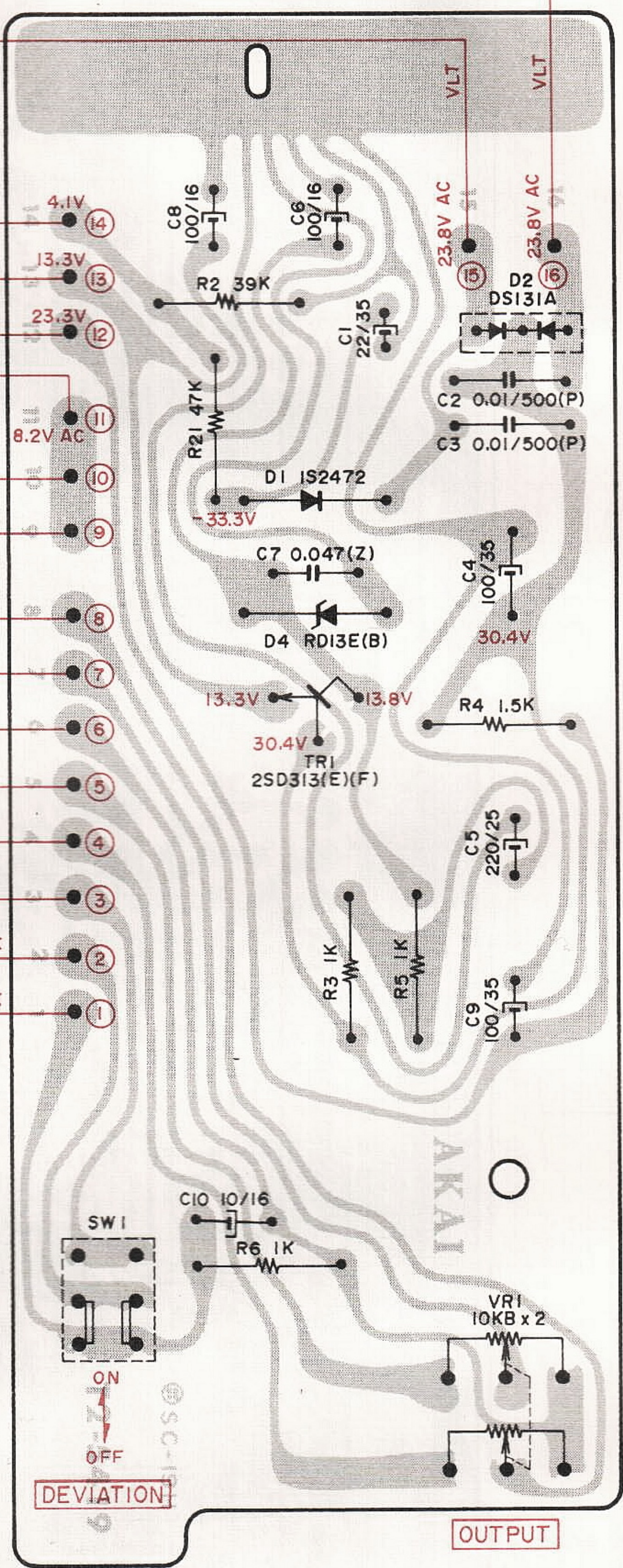
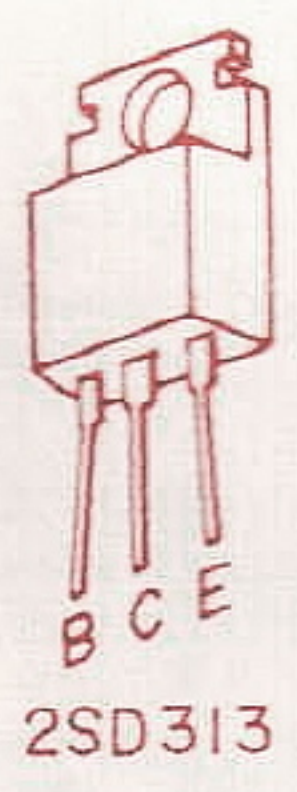
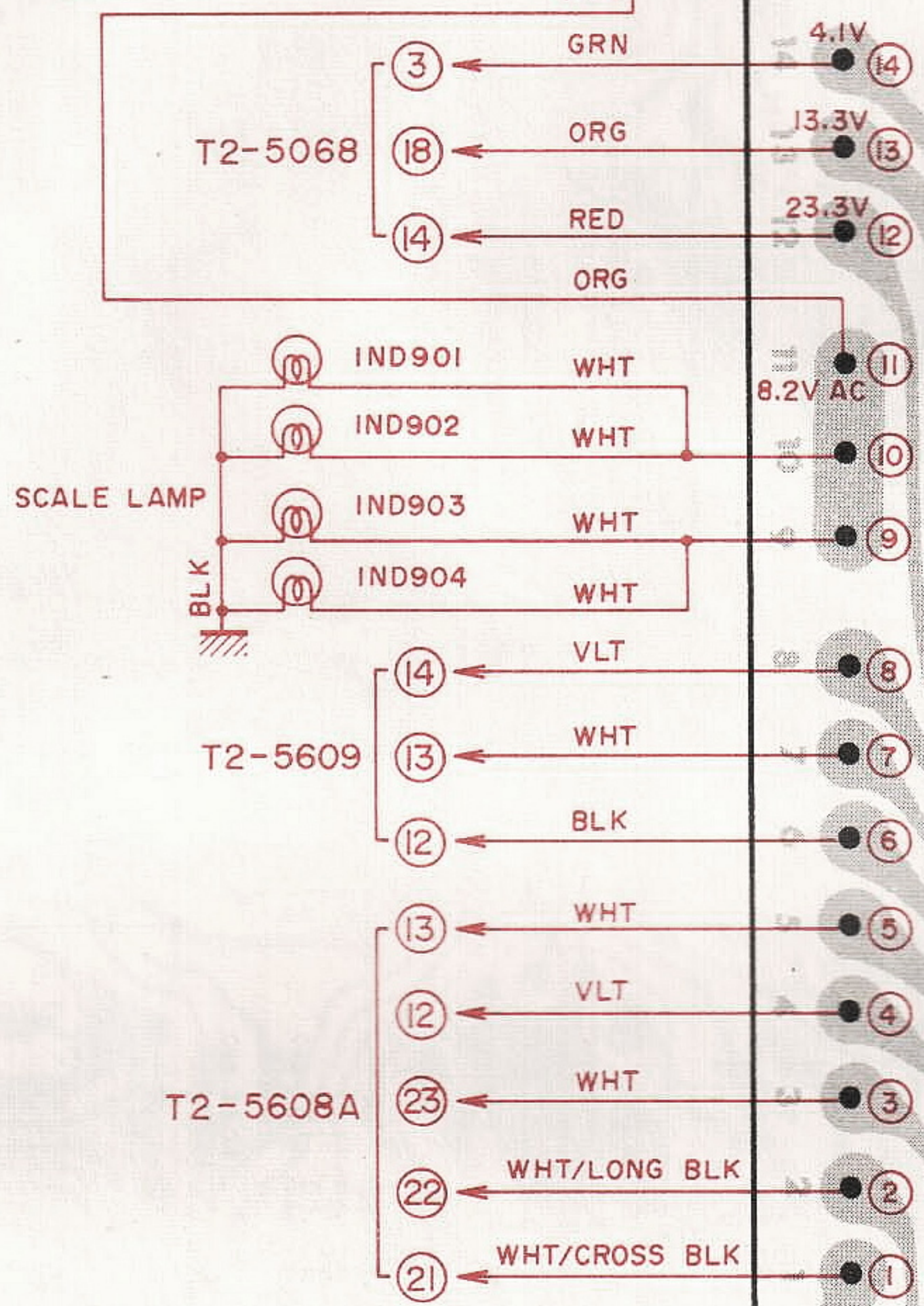
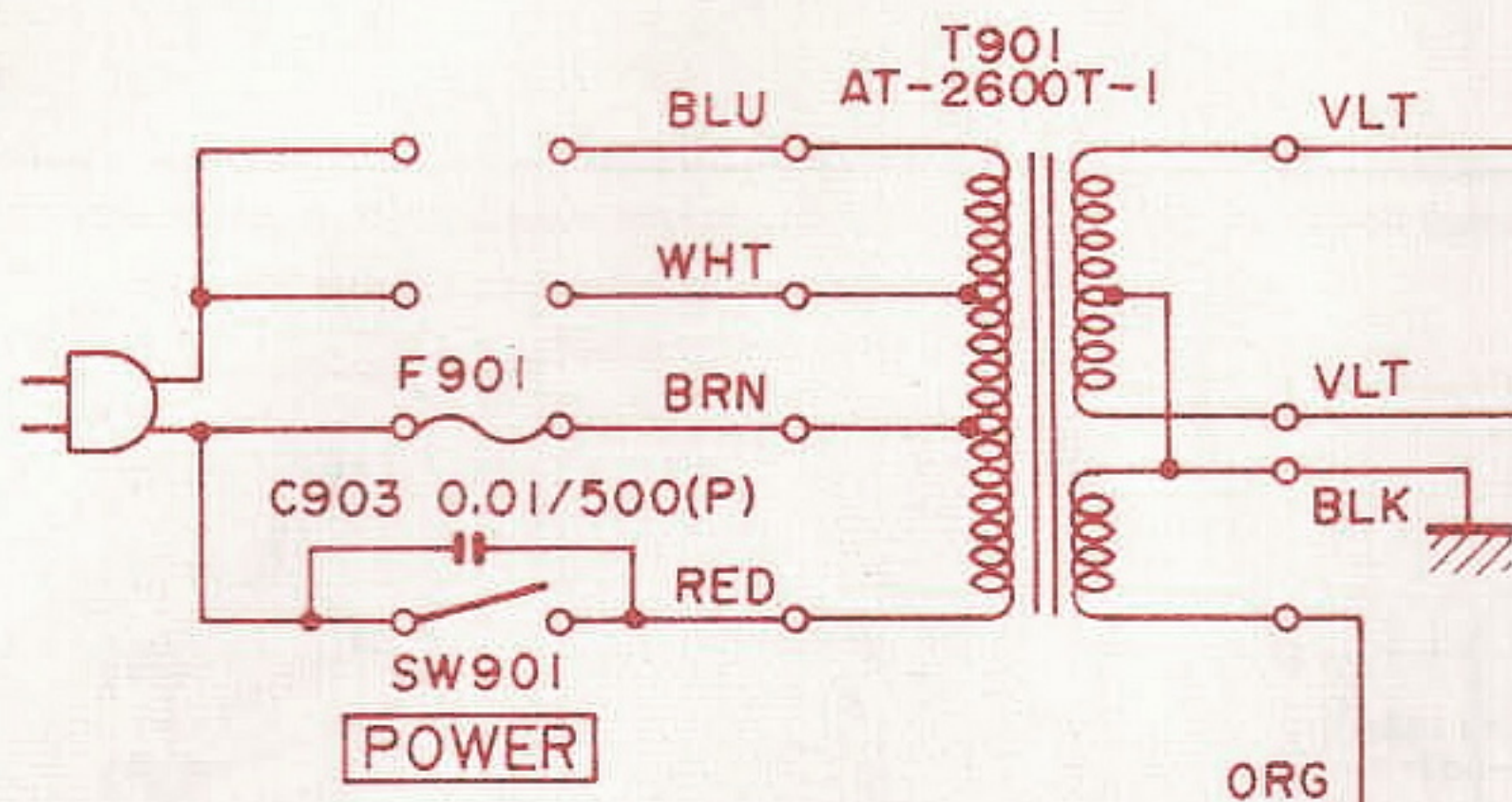
Fig. 1 Controls

- |                             |  |
|-----------------------------|--|
| 1. FM DIAL SCALE            | 9. DEVIATION SWITCH                          |
| 2. AM DIAL SCALE            | 10. SIGNAL STRENGTH/DEVIATION METER          |
| 3. POWER INDICATOR LAMP     | 11. FM TUNING METER                          |
| 4. FM STEREO INDICATOR LAMP | 12. HIGH BLEND SWITCH                        |
| 5. AFC INDICATOR LAMP       | 13. FM MUTE SWITCH                           |
| 6. TUNING KNOB              | 14. FM MUTE LEVEL ADJUSTER                   |
| 7. POWER SWITCH             | 15. INPUT SELECTOR (AM, FM AUTO and FM MONO) |
| 8. OUTPUT LEVEL CONTROL     |  |

## 2. COMPOSITION OF VARIOUS P.C BOARDS

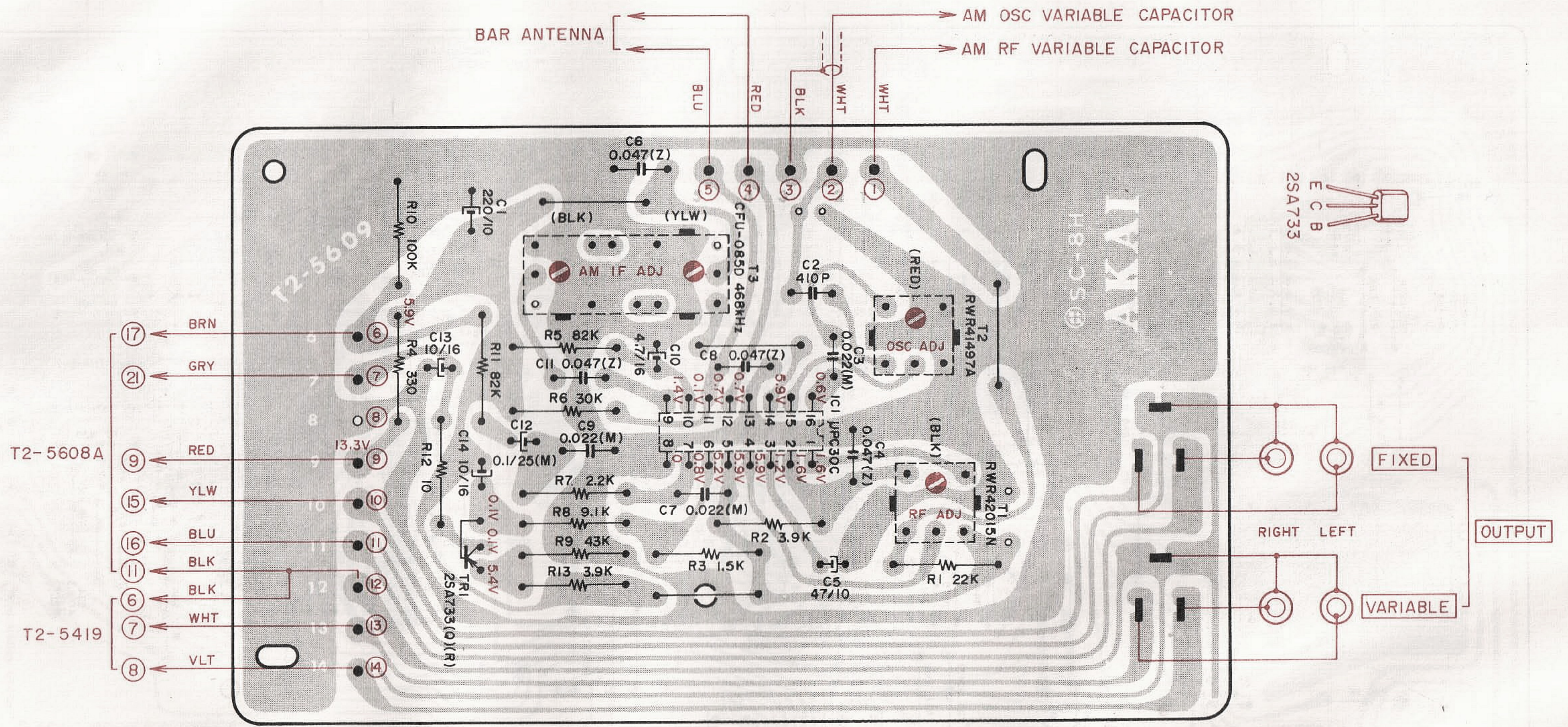
### 1) FM IF P.C BOARD T2-5608A & LED P.C BOARD T2-5608B

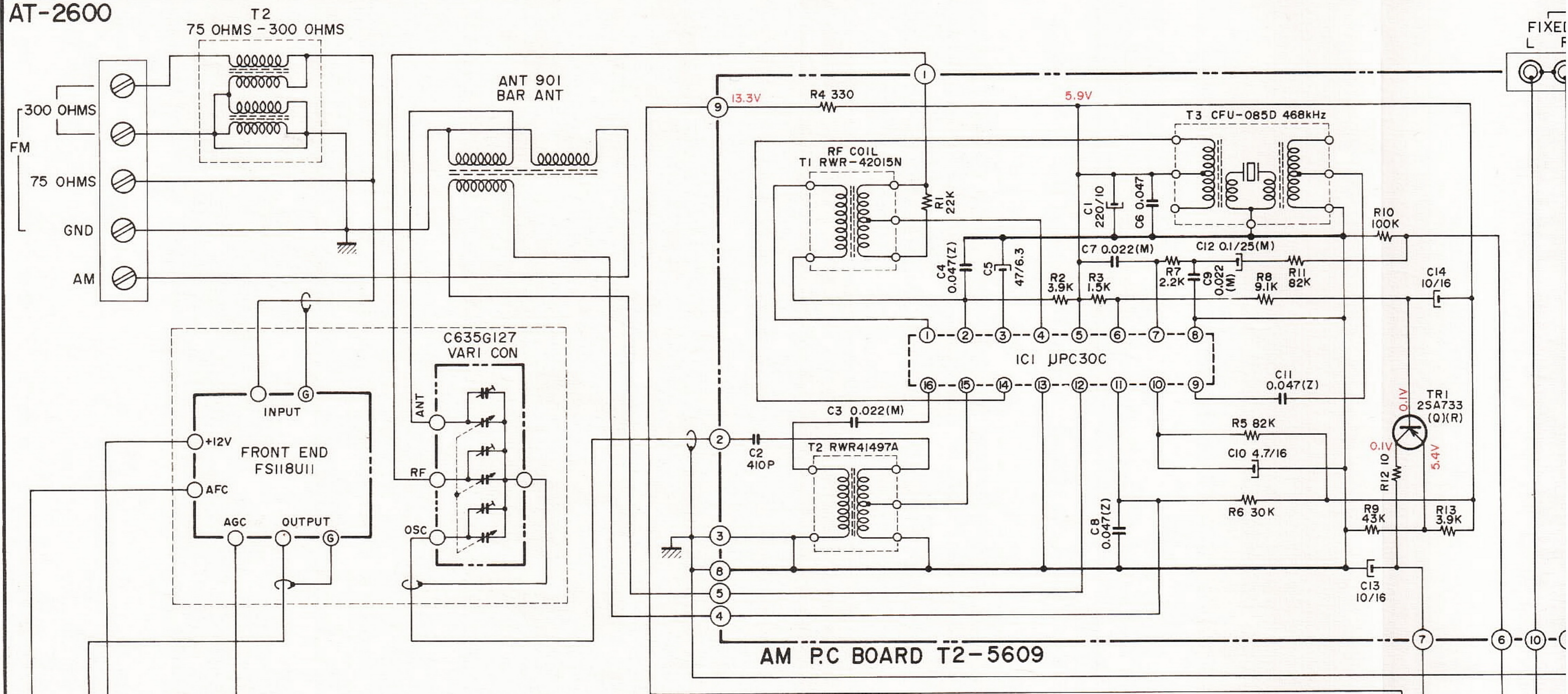




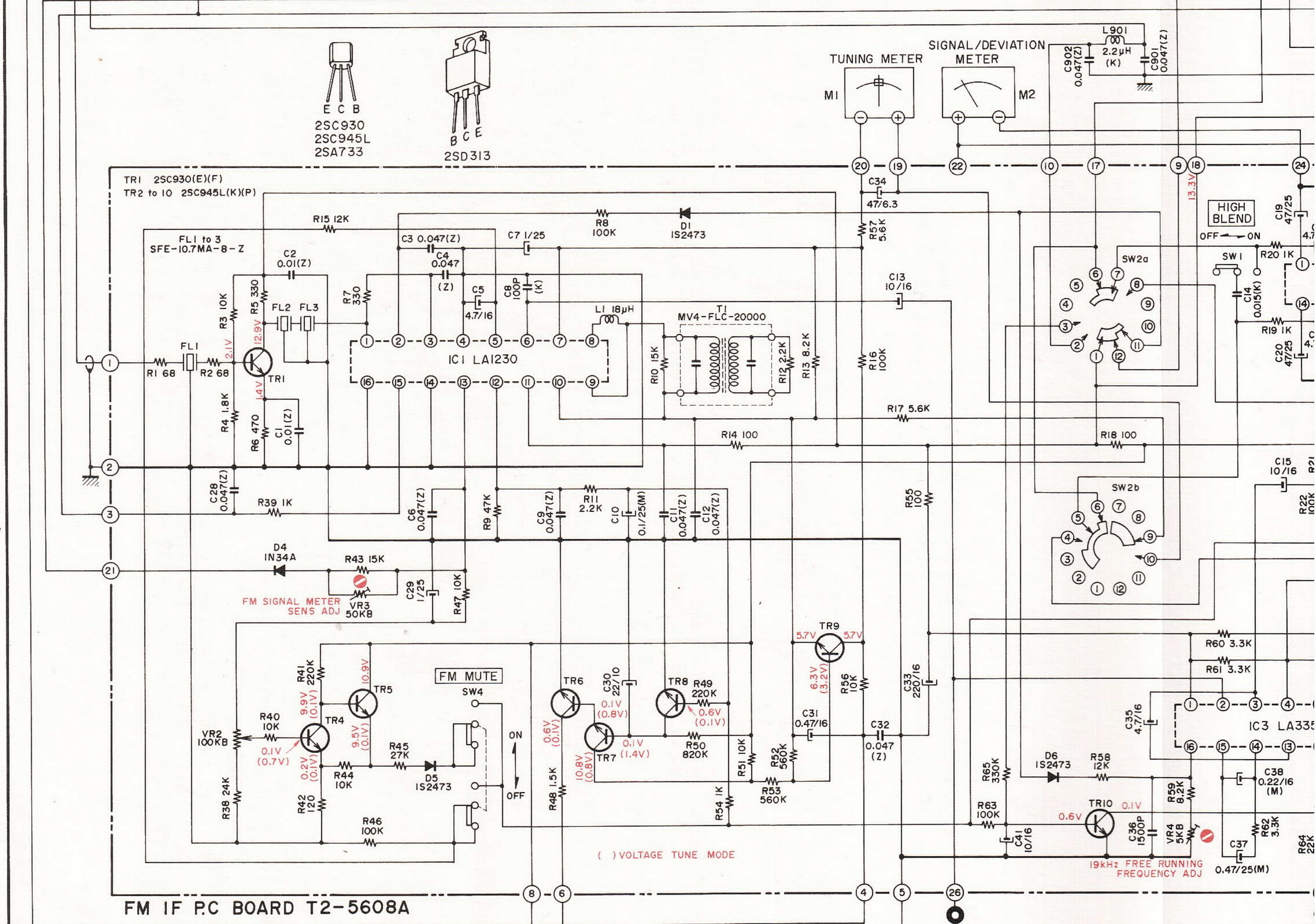
DEVIATION

OUTPUT



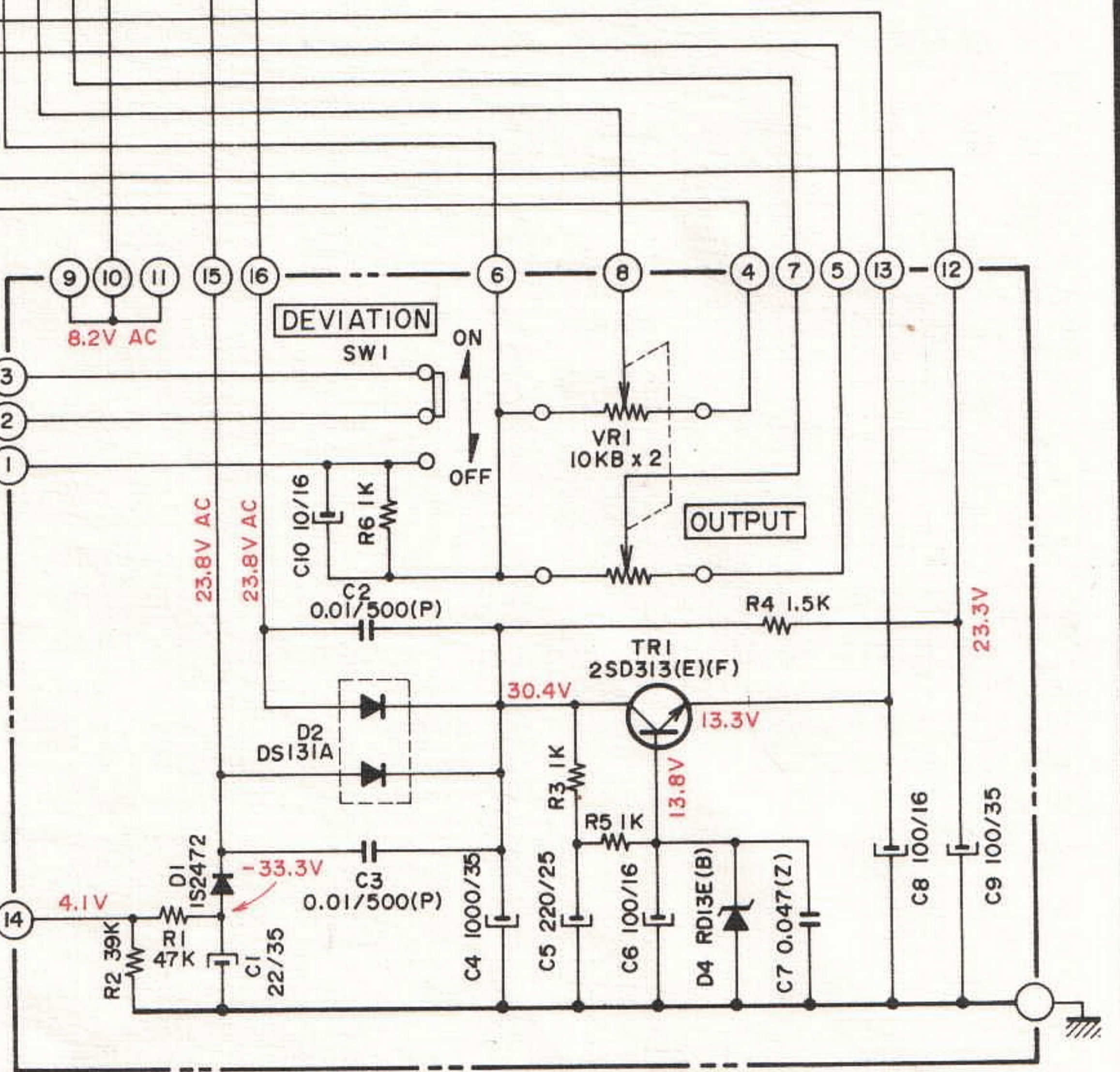
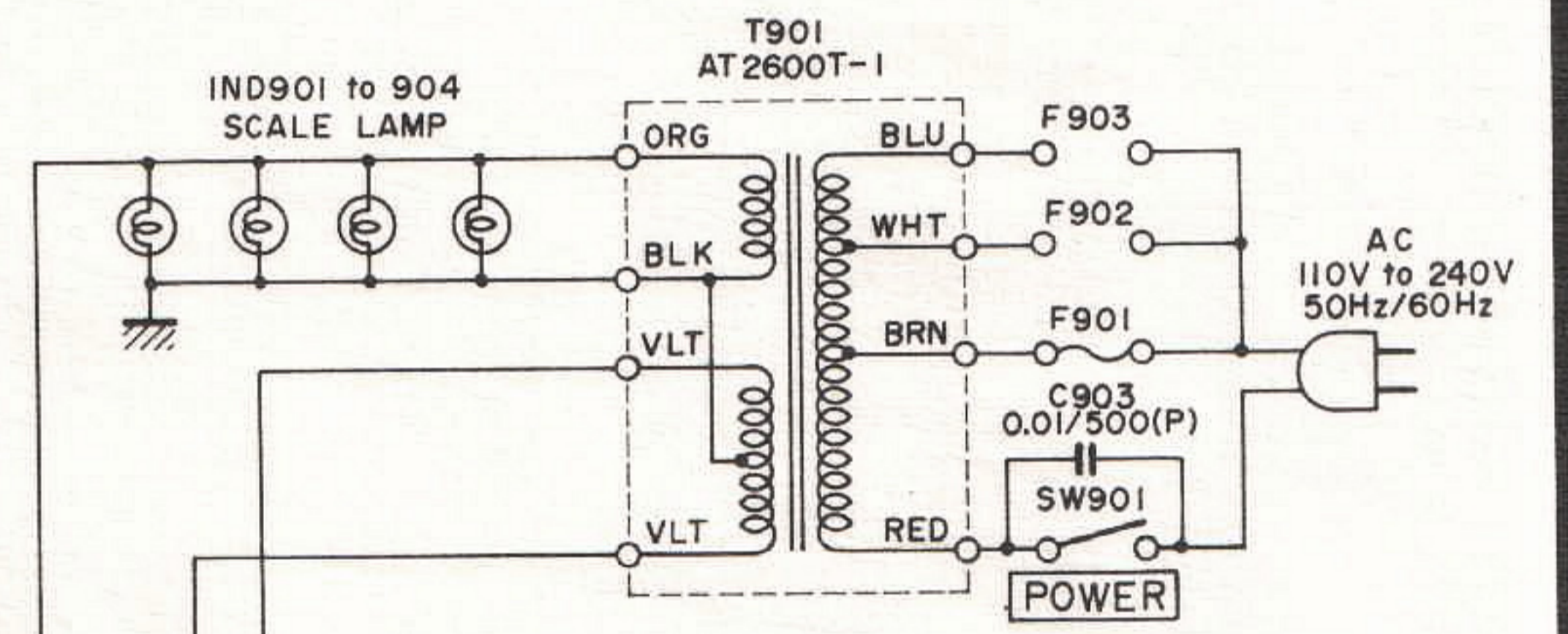
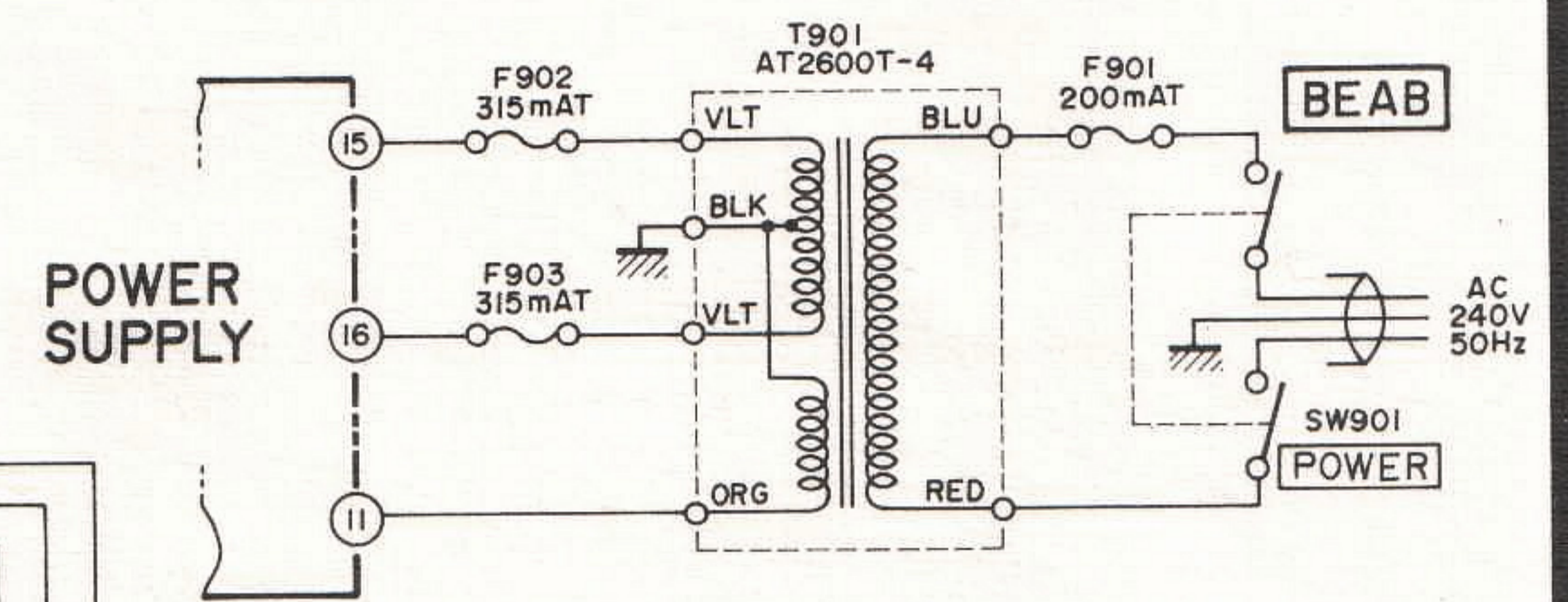
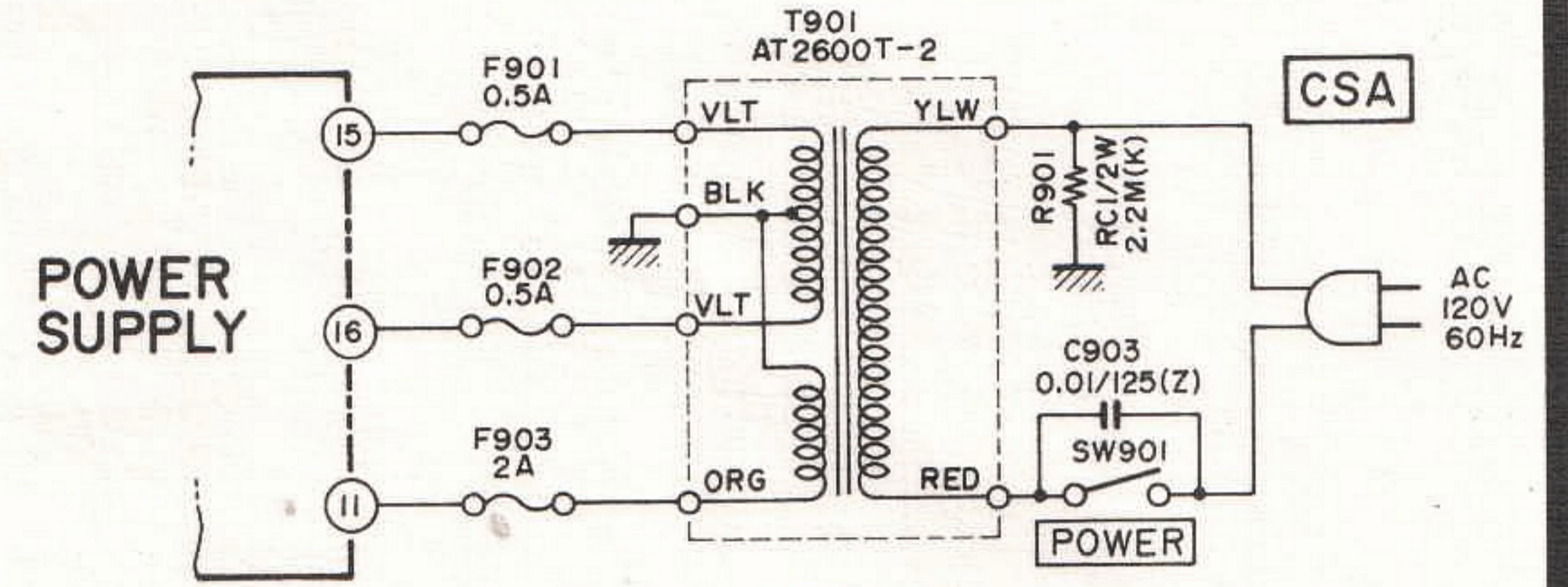
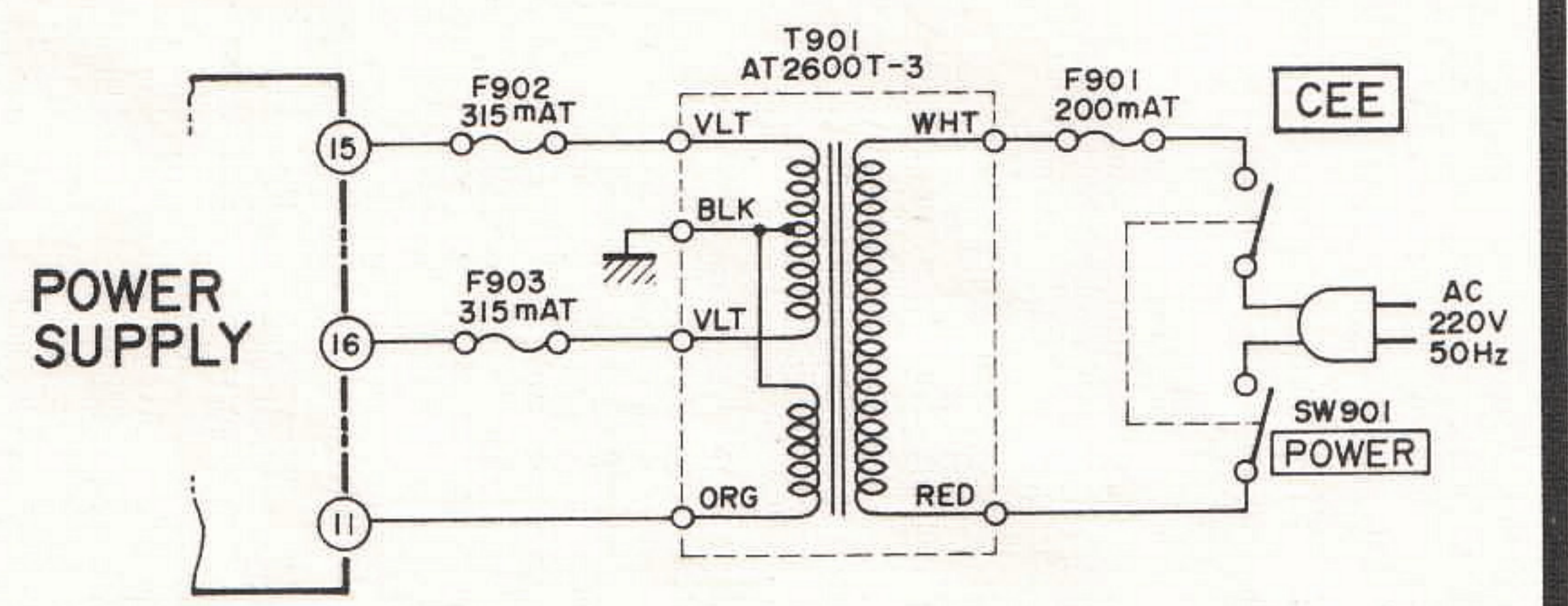
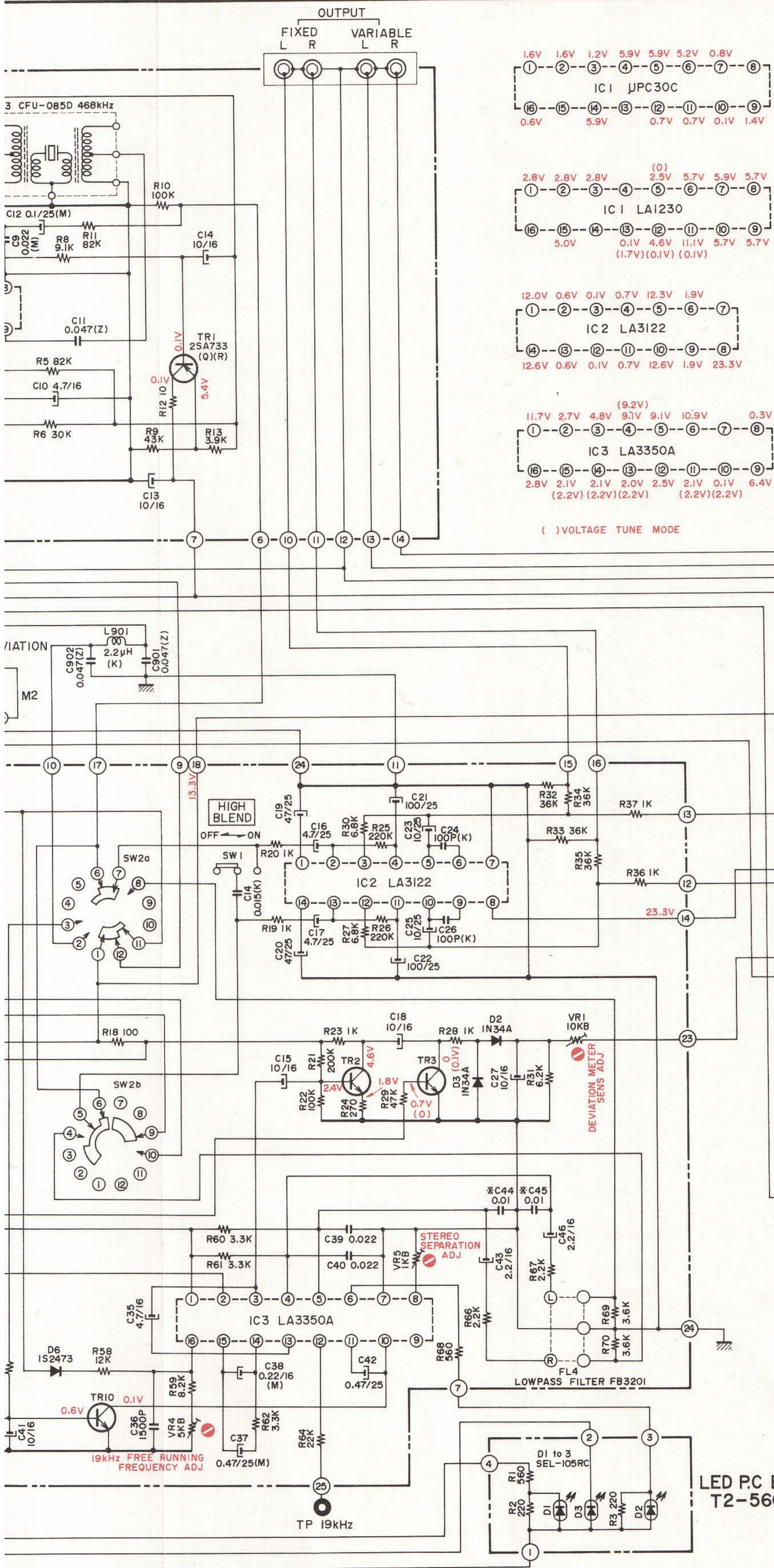


AM P.C. BOARD T2-5609



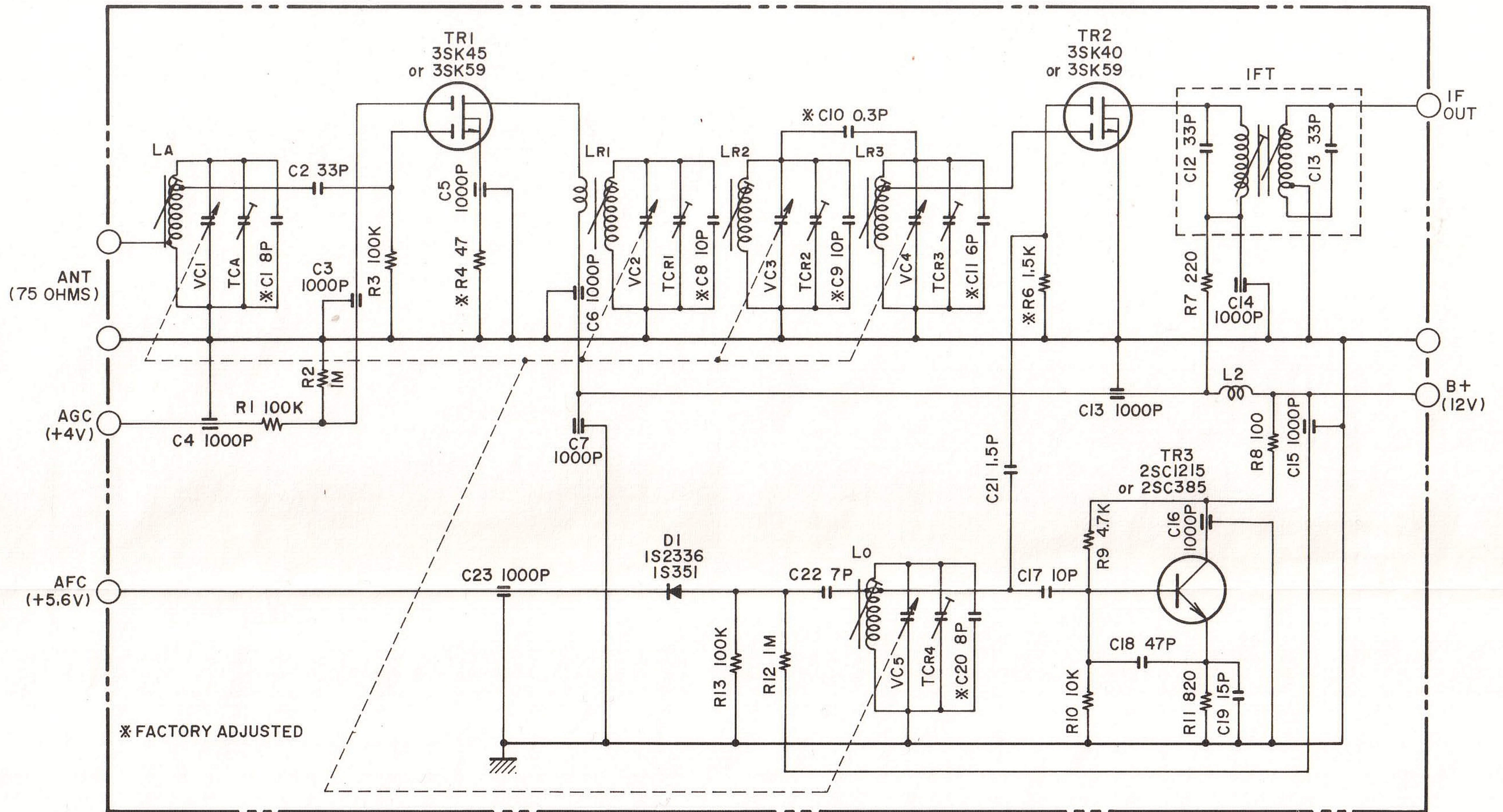
FM IF P.C. BOARD T2-5608A

SW2 SELECTOR  
 AM NOW MODE  
 FM AUTO  
 FM MONO



**NOTE**  
1. UNLESS OTHERWISE SPECIFIED ALL RESISTORS IN OHMS 1/4W(J) ALL CAPACITORS IN μF 50WV(J) P = μμF  
2. POWER TRANSFORMER IS DIFFERENT ACCORDING TO AREA

**AT-2600 SCHEMATIC DIAGRAM**  
No.2-1 1540644A



AT-2600 FRONT END  
 FS118U11  
 NO. 2-2 1540645A